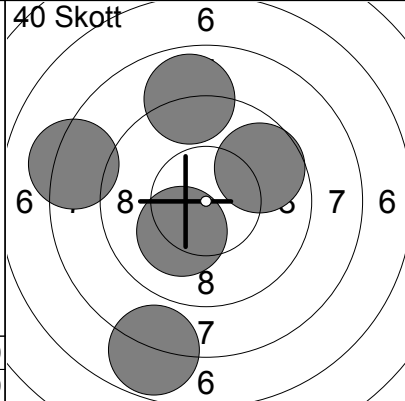
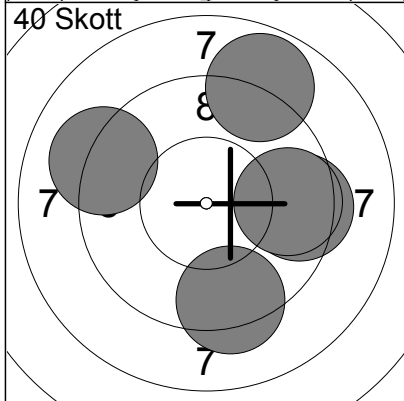


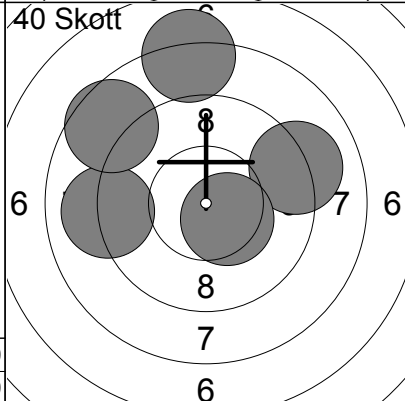
1:	6.0	↘
2:	9.5	↙
3:	9.7	↗
4:	6.2	←
5:	9.5	↗
6:	8.8	←
7:	10.4x	↗
8:	6.7	↗
9:	10.6x	→
10:	9.7	→
Serie	82.0	
Total	0.0	



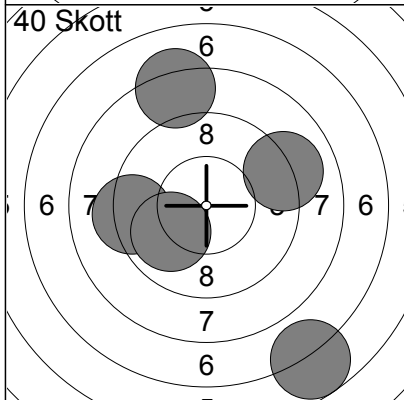
1:	9.7	↗
2:	7.8	↙
3:	10.2x	↙
4:	8.2	←
5:	8.9	↑
Serie	42.0	
Total	42.0	



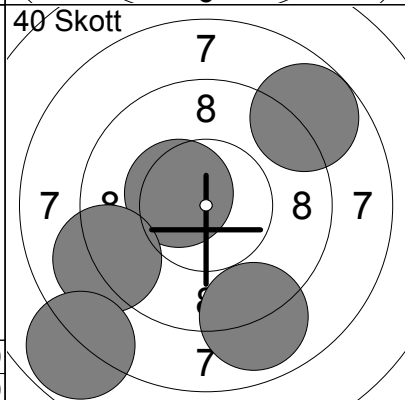
6:	9.4	→
7:	9.1	↗
8:	9.3	↘
9:	9.6	→
10:	8.9	↑
Serie	44.0	
Total	86.0	



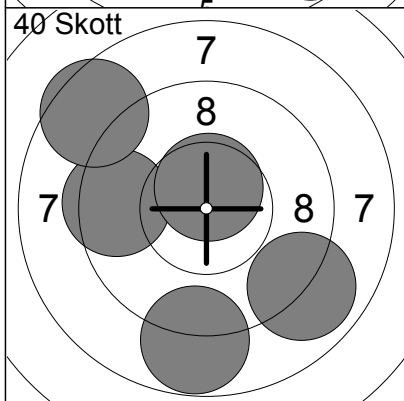
11:	9.0	←
12:	8.1	↑
13:	8.6	↗
14:	9.1	→
15:	10.5x	↘
Serie	44.0	
Total	130.0	



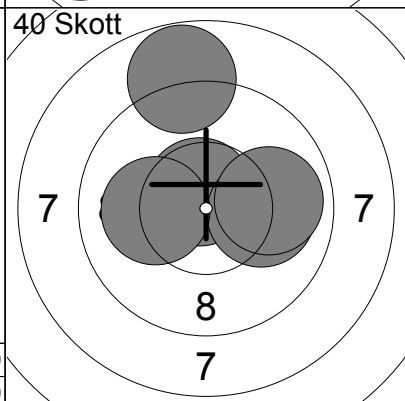
16:	9.3	←
17:	9.1	→
18:	9.9	↙
19:	6.8	↘
20:	8.2	↑
Serie	41.0	
Total	171.0	



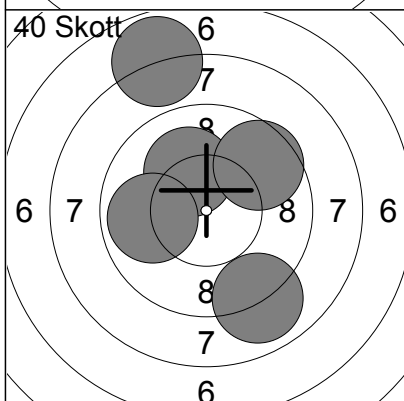
21:	8.9	↘
22:	8.8	↗
23:	10.5x	←
24:	9.1	←
25:	7.8	↙
Serie	42.0	
Total	213.0	



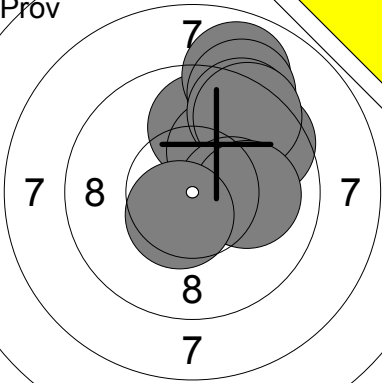
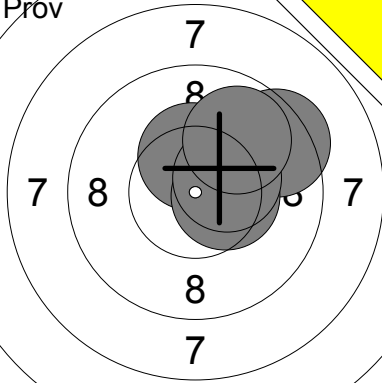
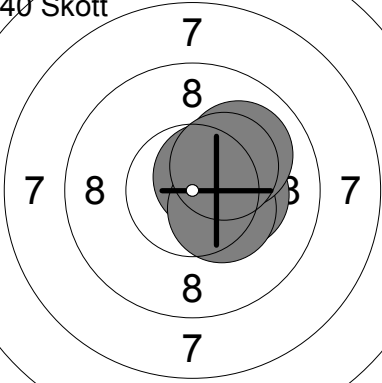
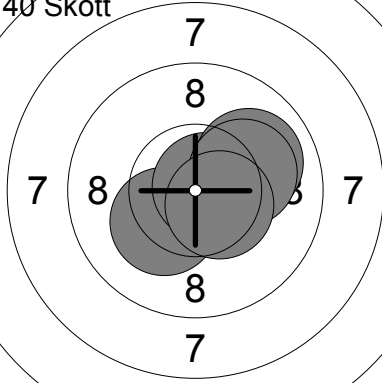
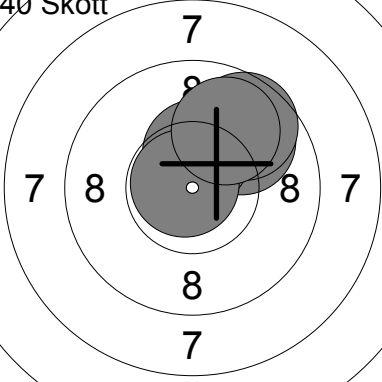
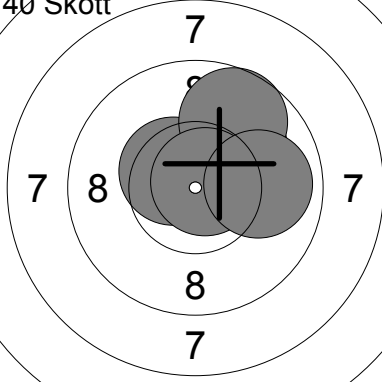
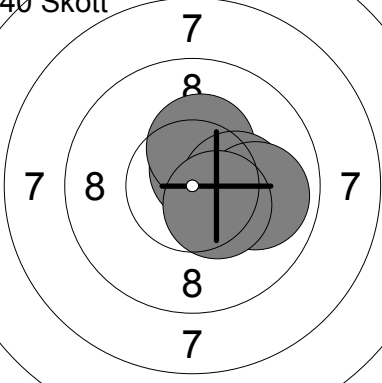
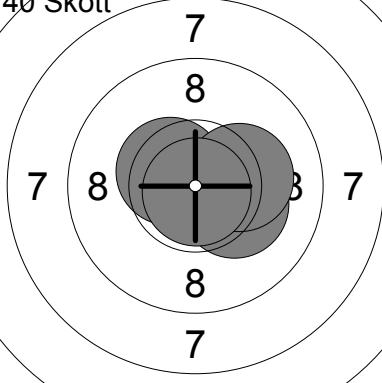
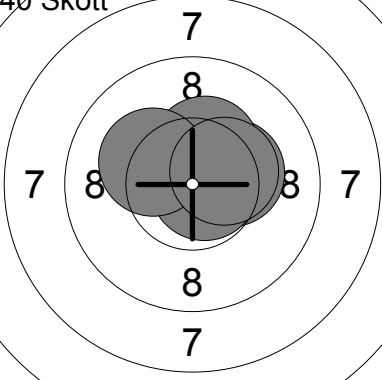
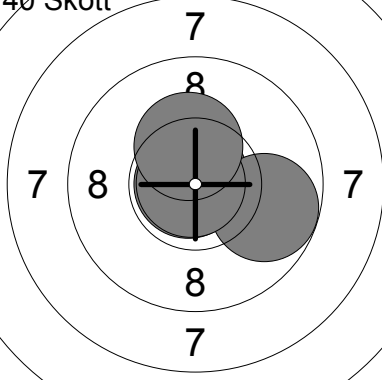
26:	8.9	↘
27:	9.5	←
28:	8.5	↗
29:	8.8	↘
30:	10.6x	↑
Serie	43.0	
Total	256.0	



31:	10.6x	↑
32:	10.0	→
33:	9.9	→
34:	10.1	←
35:	8.8	↑
Serie	47.0	
Total	303.0	



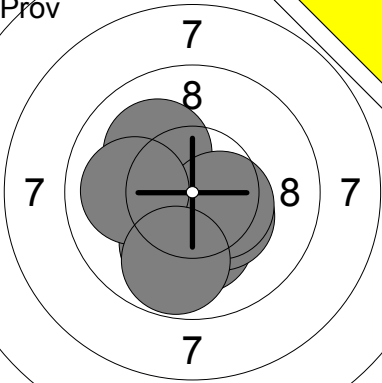
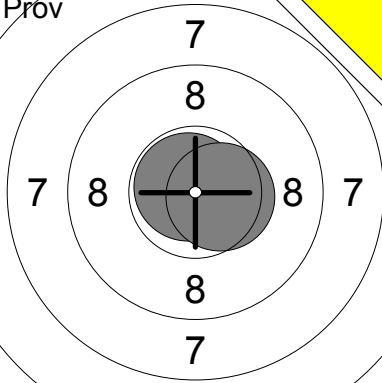
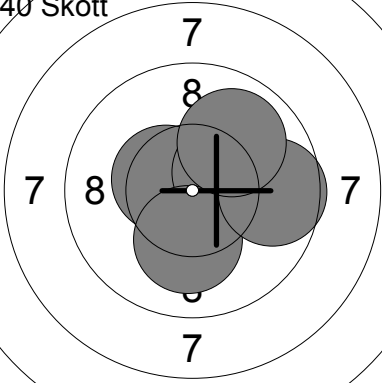
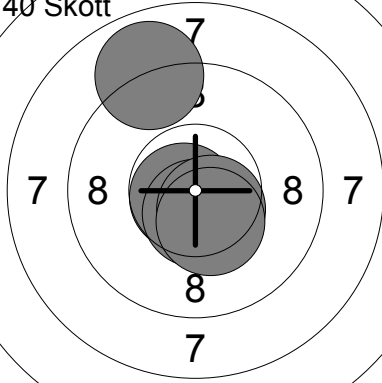
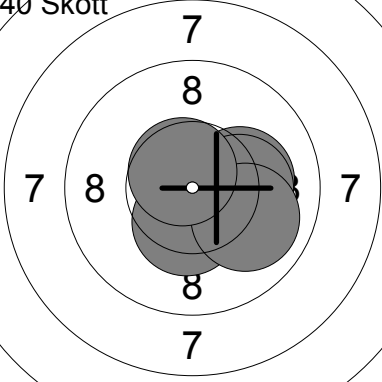
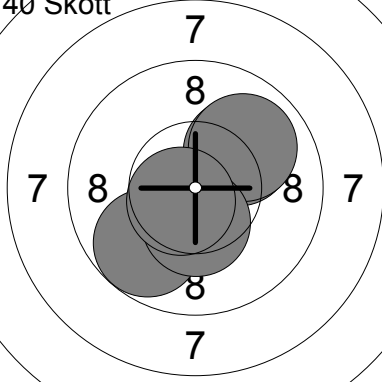
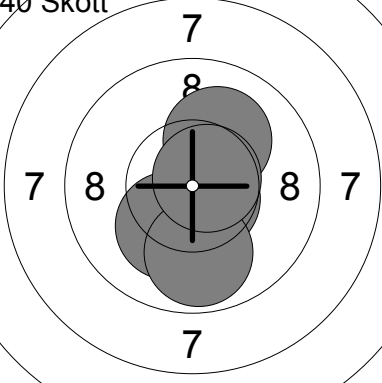
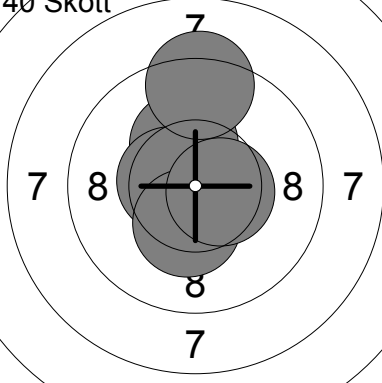
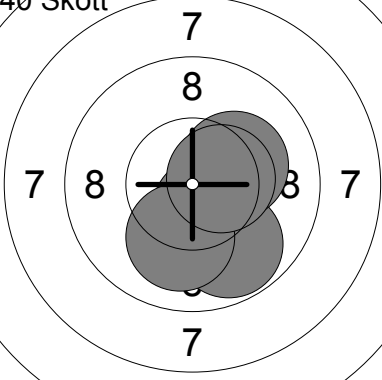
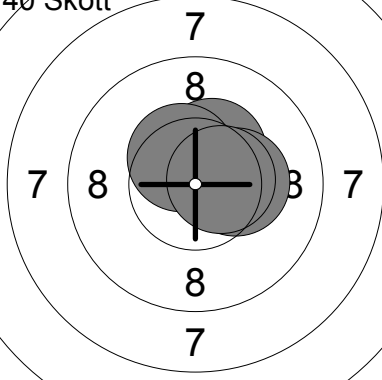
36:	10.1	↑
37:	9.6	↗
38:	9.9	←
39:	8.9	↘
40:	7.9	↑
Serie	43.0	
Total	346.0	

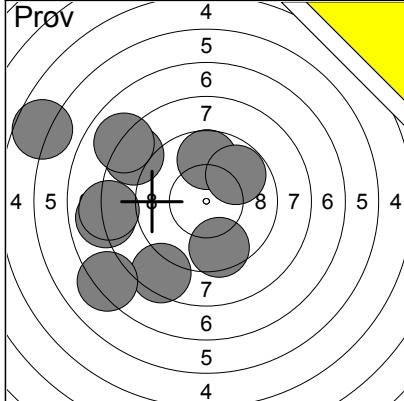
Pröv 	1: 9.6 ↗ 2: 9.9 ↑ 3: 10.1 ↗ 4: 8.9 ↑ 5: 9.1 ↑ 6: 9.4 ↗ 7: 9.4 ↗ 8: 10.3x → 9: 10.1 → 10: 10.5x ↓ <hr/> Serie 93.0 Total 0.0	Pröv 	11: 9.4 ↗ 12: 10.4x ↑ 13: 10.4x → 14: 10.4x ↗ 15: 9.8 ↗ <hr/> Serie 48.0 Total 0.0
40 Skott 	1: 10.6x ↗ 2: 10.2x → 3: 10.4x ↘ 4: 10.0 ↗ 5: 10.3x ↗	40 Skott 	6: 10.2x ↙ 7: 10.8x → 8: 10.0 ↗ 9: 10.1 → 10: 10.5x ↘ <hr/> Serie 50.0 Total 50.0
40 Skott 	11: 9.8 ↗ 12: 10.4x ↑ 13: 10.8x ↖ 14: 9.6 ↗ 15: 9.9 ↑	40 Skott 	16: 10.5x ↖ 17: 10.1 ↗ 18: 9.7 ↑ 19: 10.8x ↗ 20: 9.9 → <hr/> Serie 47.0 Total 147.0
40 Skott 	21: 10.6x ↗ 22: 10.3x ↑ 23: 10.2x → 24: 9.9 → 25: 10.4x ↘	40 Skott 	26: 10.5x ↖ 27: 10.4x → 28: 10.2x ↘ 29: 10.2x → 30: 10.9x ↓ <hr/> Serie 49.0 Total 244.0
40 Skott 	31: 10.3x → 32: 10.7x → 33: 10.3x ↑ 34: 10.2x ↖ 35: 10.4x →	40 Skott 	36: 10.8x ↑ 37: 10.8x ← 38: 9.8 → 39: 10.9x ← 40: 10.3x ↑ <hr/> Serie 50.0 Total 344.0

Skjutlag	Tavla	<h1 style="margin:0;">Agnes Ebbhagen</h1>	
1	12		

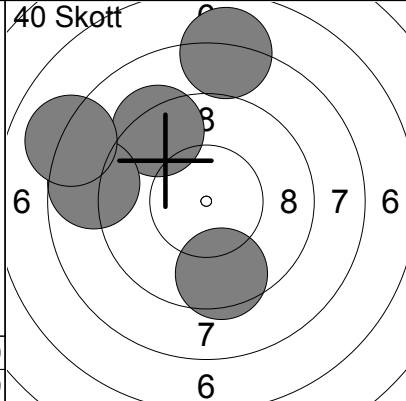
10m	Ramselefors	11	Vb
-----	-------------	----	----

01.11.2015	Vindelnskottet 2015	Ramselefors SKF
------------	---------------------	-----------------

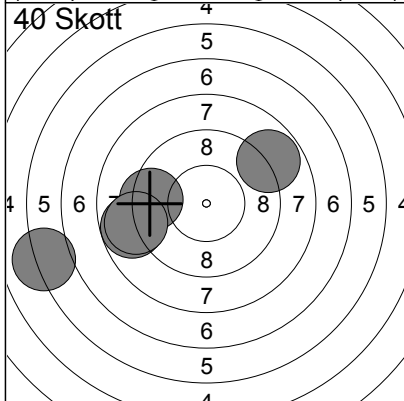
Pröv 	1: 10.2x ↓ 2: 10.5x ↓ 3: 10.3x ↓ 4: 10.5x ↓ 5: 10.3x ↓ 6: 10.1 ↗ 7: 10.1 ↓ 8: 10.5x ↓ 9: 10.0 ← 10: 9.8 ↓ <hr/> Serie 99.0 Total 0.0	Pröv 	11: 10.8x ↗ 12: 10.5x → <hr/> Serie 20.0 Total 0.0
40 Skott 	1: 10.5x ↗ 2: 10.3x → 3: 10.1 ↓ 4: 9.6 → 5: 9.9 ↗ <hr/> Serie 48.0 Total 48.0	40 Skott 	6: 10.7x ← 7: 10.6x ↓ 8: 10.5x ↓ 9: 8.9 ↗ 10: 10.4x ↓ <hr/> Serie 48.0 Total 96.0
40 Skott 	11: 10.4x ↓ 12: 10.2x → 13: 10.2x → 14: 10.0 ↓ 15: 10.6x ↗ <hr/> Serie 50.0 Total 146.0	40 Skott 	16: 10.0 ↗ 17: 9.9 ↗ 18: 9.7 ← 19: 10.4x ↓ 20: 10.6x ← <hr/> Serie 48.0 Total 194.0
40 Skott 	21: 10.6x ↓ 22: 10.2x ↓ 23: 10.1 ↗ 24: 9.9 ↓ 25: 10.7x → <hr/> Serie 49.0 Total 243.0	40 Skott 	26: 10.3x ↑ 27: 10.5x ← 28: 10.3x ↓ 29: 9.3 ↑ 30: 10.5x → <hr/> Serie 49.0 Total 292.0
40 Skott 	31: 10.5x ↓ 32: 9.8 ↓ 33: 10.1 ↓ 34: 10.2x → 35: 10.5x → <hr/> Serie 49.0 Total 341.0	40 Skott 	36: 10.5x ↑ 37: 10.4x ↑ 38: 10.3x → 39: 10.5x ↗ 40: 10.5x → <hr/> Serie 50.0 Total 391.0



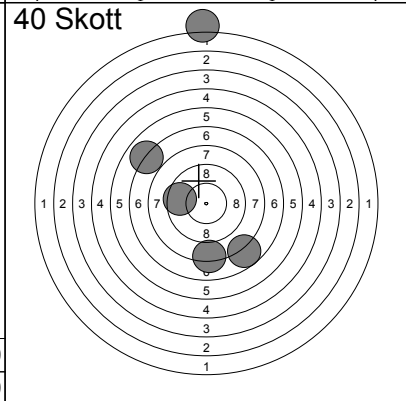
1:	9.7	↑
2:	9.8	↗
3:	9.5	↓
4:	8.4	↗
5:	8.4	↓
6:	7.2	↙
7:	5.7	↙
8:	8.0	↗
9:	7.9	↙
10:	8.1	↙
Serie	78.0	
Total	0.0	



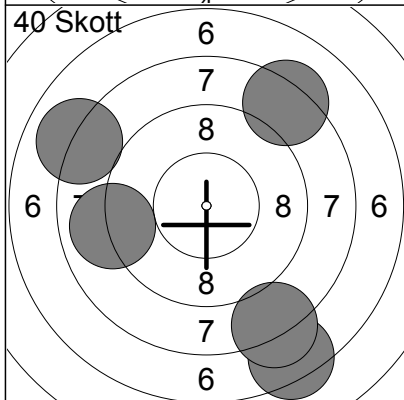
1:	9.3	↗
2:	8.0	↑
3:	8.7	↙
4:	9.5	↓
5:	8.1	↙
Serie	42.0	
Total	42.0	



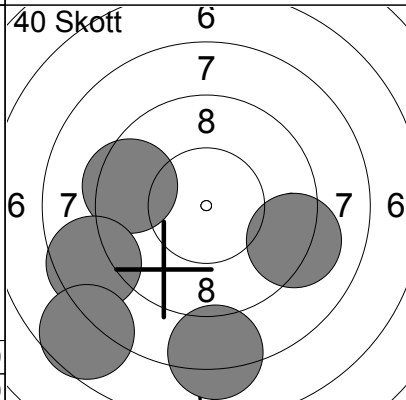
6:	8.8	↗
7:	6.1	↙
8:	9.4	↙
9:	8.7	↙
10:	8.9	↙
Serie	39.0	
Total	81.0	



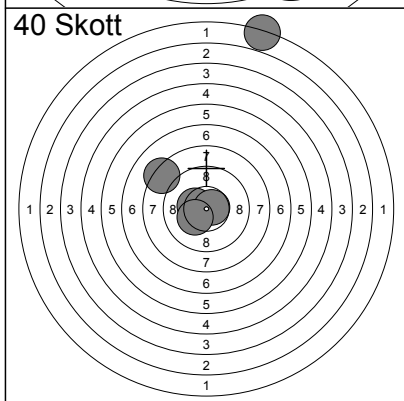
11:	8.2	↓
12:	6.9	↗
13:	9.5	↙
14:	7.7	↘
15:	1.6	↑
Serie	31.0	
Total	112.0	



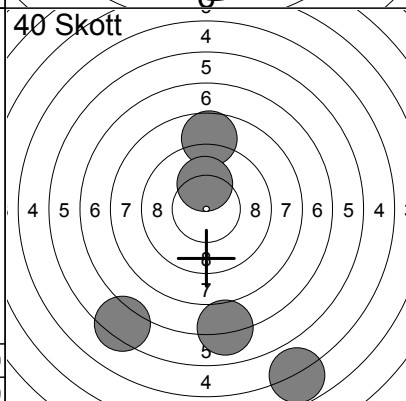
16:	7.4	↓
17:	8.0	↗
18:	9.0	↙
19:	8.1	↓
20:	8.3	↗
Serie	40.0	
Total	152.0	



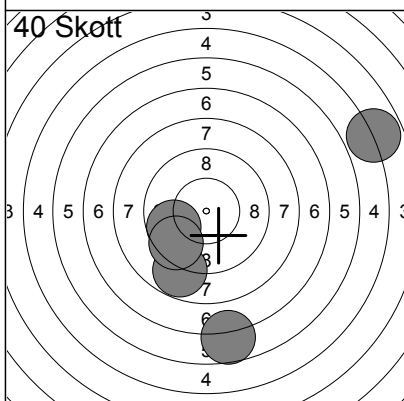
21:	9.5	↙
22:	8.2	↓
23:	8.6	↙
24:	9.2	↗
25:	7.7	↘
Serie	41.0	
Total	193.0	



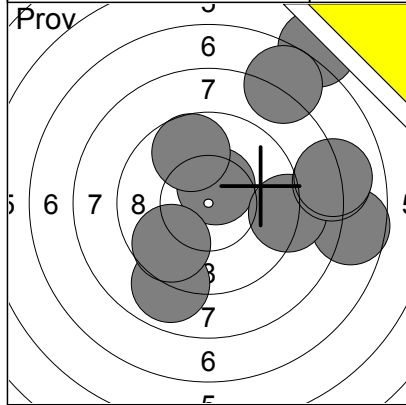
26:	10.4x	↙
27:	8.2	↗
28:	10.7x	↗
29:	10.3x	↙
30:	2.0	↑
Serie	40.0	
Total	233.0	



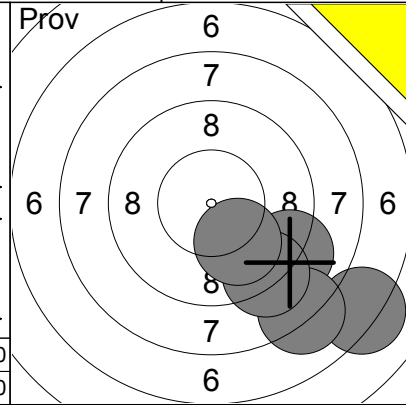
31:	4.8	↓
32:	8.7	↑
33:	10.1	↑
34:	6.3	↘
35:	7.1	↓
Serie	35.0	
Total	268.0	



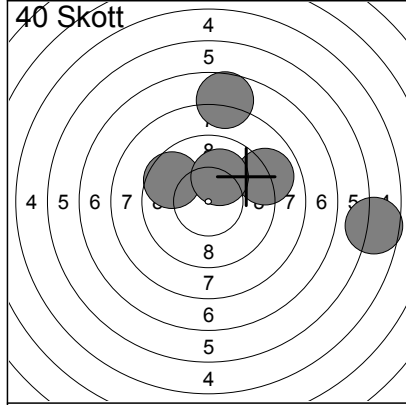
36:	6.7	↓
37:	8.8	↓
38:	4.8	↗
39:	9.7	↙
40:	9.5	↘
Serie	36.0	
Total	304.0	



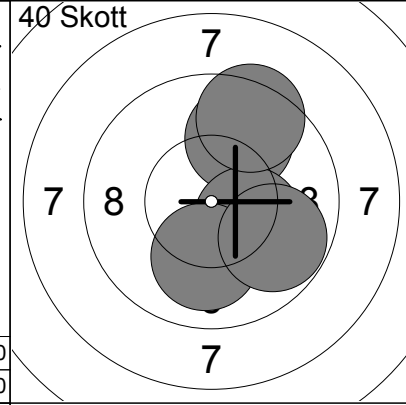
1:	10.5x	↑
2:	9.7	↑
3:	7.7	→
4:	6.6	↑
5:	7.7	↑
6:	9.1	→
7:	8.1	→
8:	8.9	↓
9:	9.7	↓
10:	8.0	→
Serie		81.0
Total		0.0



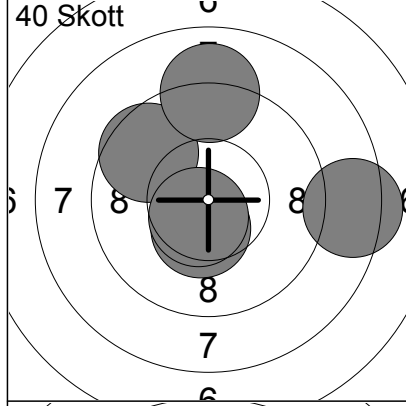
11:	7.2	↘
12:	9.1	↘
13:	8.1	↘
14:	9.1	↘
15:	10.0	↘
Serie		43.0
Total		0.0



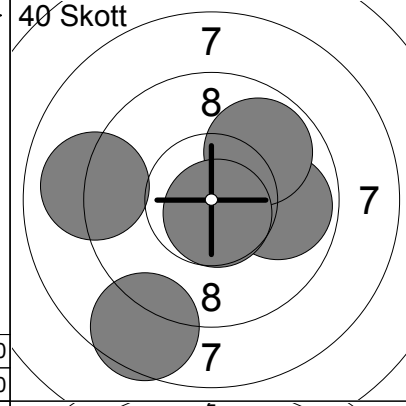
1:	7.7	↑
2:	9.0	→
3:	9.6	↑
4:	5.6	→
5:	10.1	↑
Serie		40.0
Total		40.0



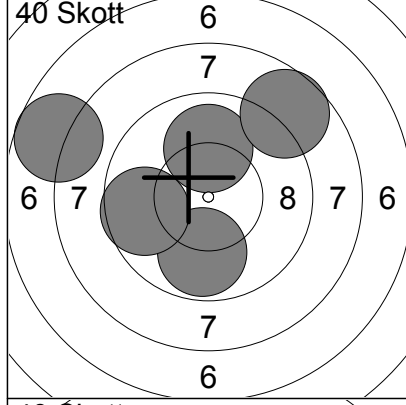
6:	9.8	↑
7:	10.3x	→
8:	9.4	↑
9:	10.0	↓
10:	9.8	→
Serie		47.0
Total		87.0



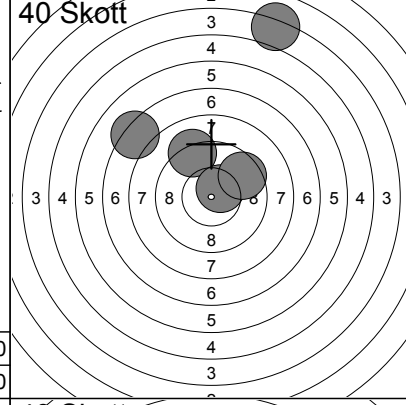
11:	8.4	→
12:	10.4x	↓
13:	9.6	↑
14:	10.6x	↓
15:	9.0	↑
Serie		46.0
Total		133.0



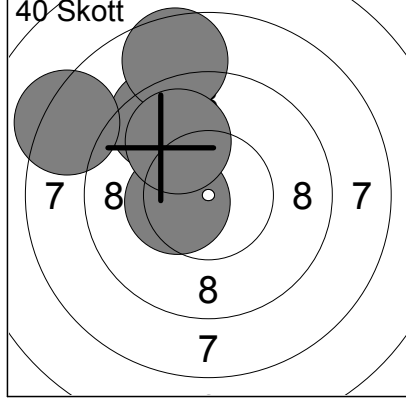
16:	9.0	←
17:	9.9	→
18:	9.8	↑
19:	10.7x	↓
20:	8.6	↓
Serie		45.0
Total		178.0



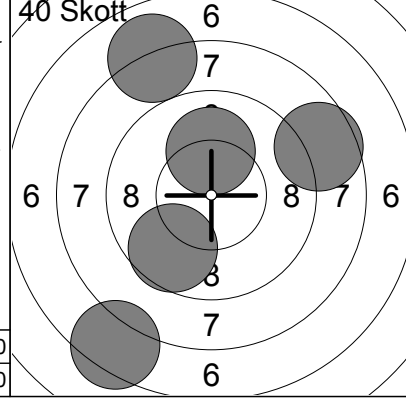
21:	10.0	↑
22:	9.8	↓
23:	7.7	←
24:	9.6	←
25:	8.7	↑
Serie		43.0
Total		221.0



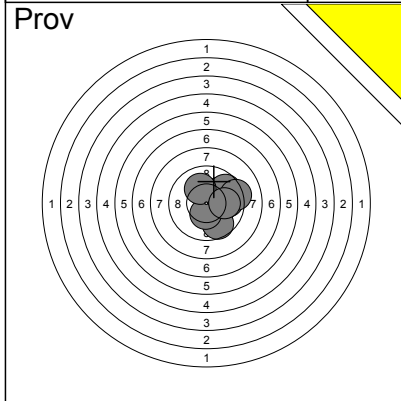
26:	7.2	↖
27:	9.2	↑
28:	4.1	↑
29:	10.5x	↑
30:	9.6	↑
Serie		39.0
Total		260.0



31:	9.5	↖
32:	10.4x	←
33:	8.6	↑
34:	9.9	↑
35:	8.3	↑
Serie		44.0
Total		304.0

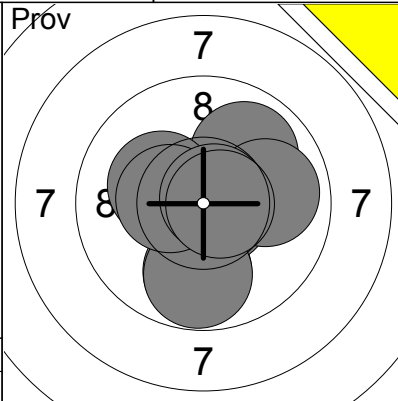


36:	10.1	↑
37:	7.4	↓
38:	8.0	↑
39:	8.6	→
40:	9.6	↘
Serie		42.0
Total		346.0



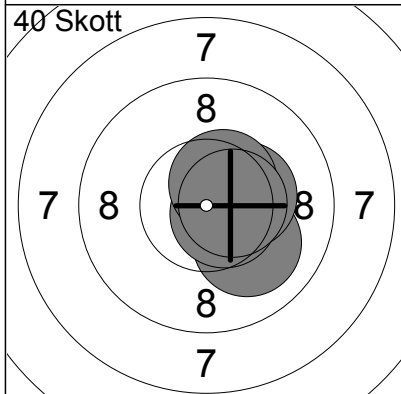
1:	10.2x	↘
2:	9.7	↓
3:	10.4x	↓
4:	9.8	→
5:	10.0	↗
6:	0.0	↑
7:	9.6	↗
8:	10.1	↗
9:	9.2	→
10:	9.9	→

Serie	85.0
Total	0.0



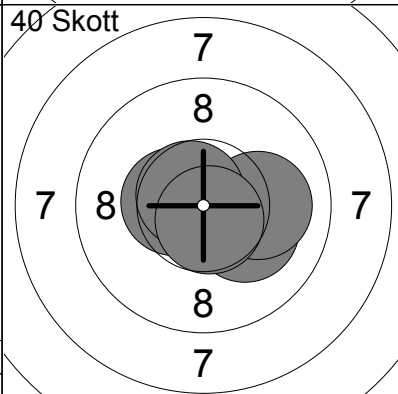
11:	9.9	↗
12:	9.8	↓
13:	10.7x	→
14:	9.9	→
15:	10.2x	↖
16:	9.8	↓
17:	10.4x	↖
18:	10.8x	↗
19:	10.7x	→

Serie	86.0
Total	0.0



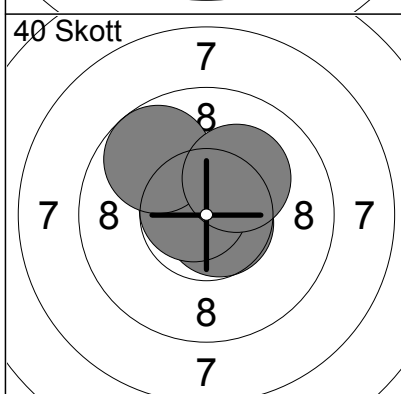
1:	10.0	↘
2:	10.6x	↘
3:	10.3x	→
4:	10.5x	↗
5:	10.5x	→

Serie	50.0
Total	50.0



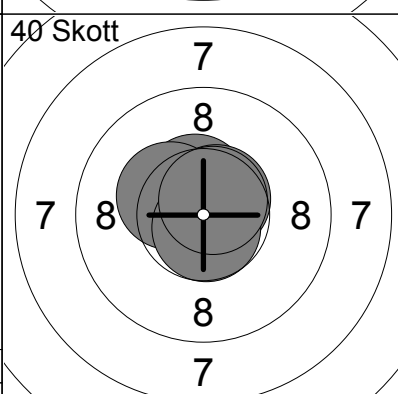
6:	10.2x	→
7:	10.1	→
8:	10.5x	↖
9:	10.7x	↗
10:	10.7x	↓

Serie	50.0
Total	100.0



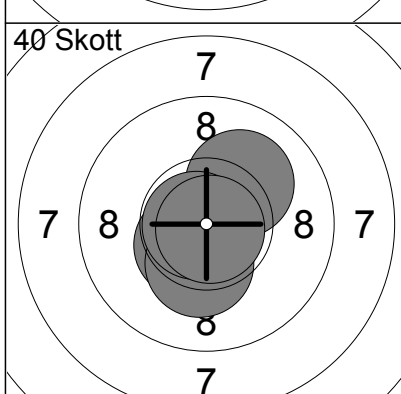
11:	10.5x	↗
12:	10.7x	↘
13:	10.7x	↗
14:	9.7	↗
15:	10.2x	↗

Serie	49.0
Total	149.0



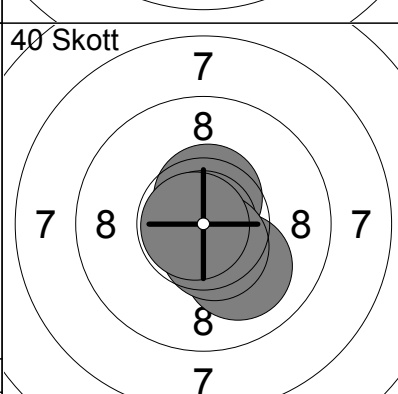
16:	10.5x	↗
17:	10.6x	↗
18:	10.3x	↖
19:	10.7x	↓
20:	10.7x	↗

Serie	50.0
Total	199.0



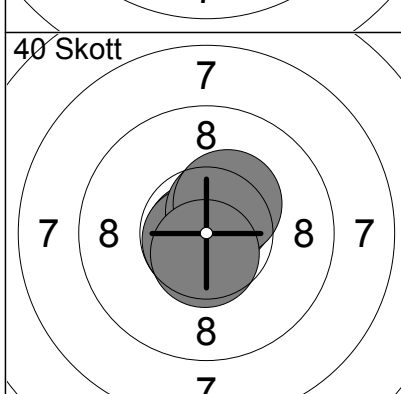
21:	10.5x	↖
22:	10.1	↗
23:	10.3x	↓
24:	10.8x	↖
25:	10.8x	↓

Serie	50.0
Total	249.0



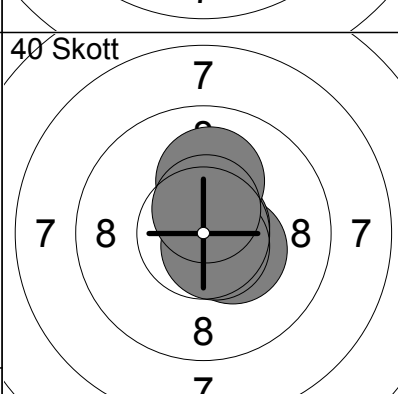
26:	10.5x	↗
27:	10.1	↘
28:	10.9x	↖
29:	10.5x	↓
30:	10.8x	↖

Serie	50.0
Total	299.0



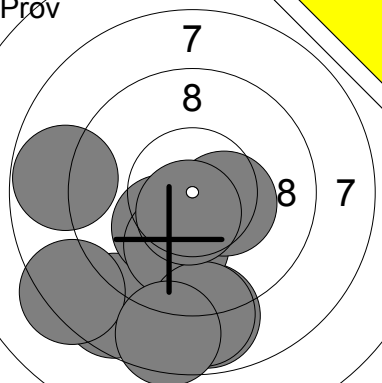
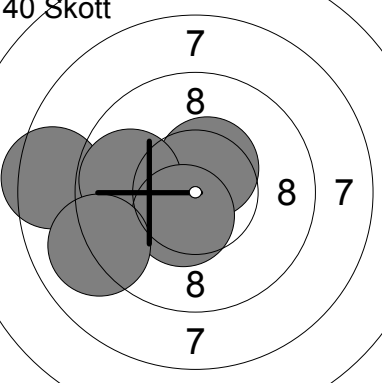
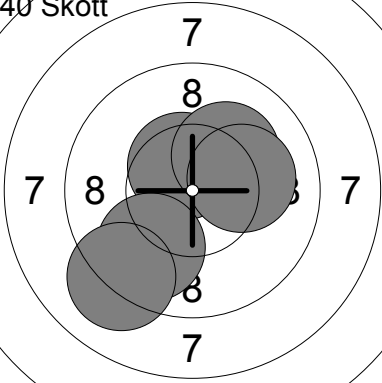
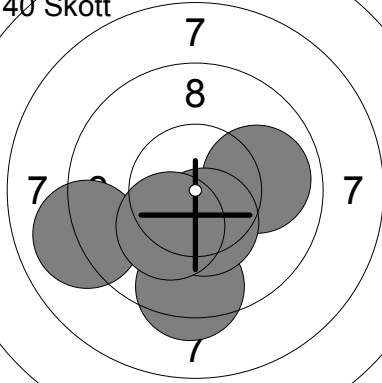
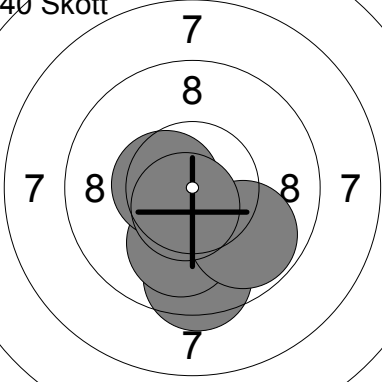
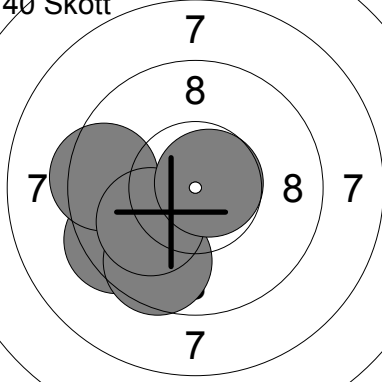
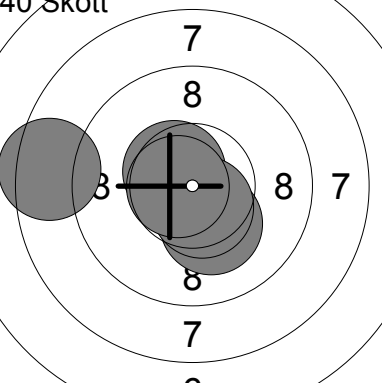
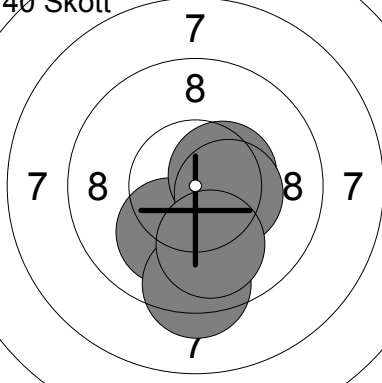
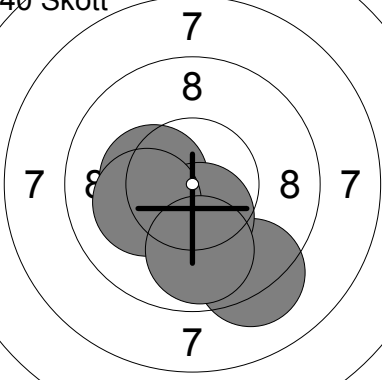
31:	10.8x	↖
32:	10.8x	↖
33:	10.5x	↗
34:	10.4x	↗
35:	10.6x	↓

Serie	50.0
Total	349.0

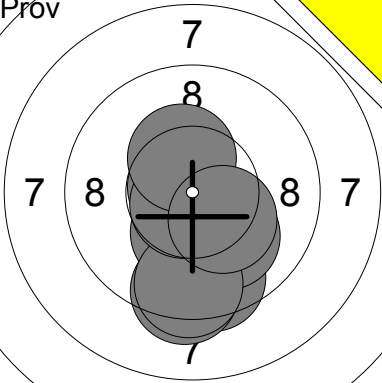
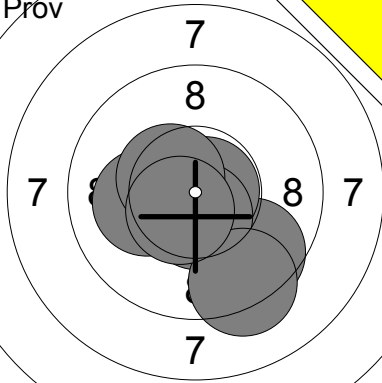
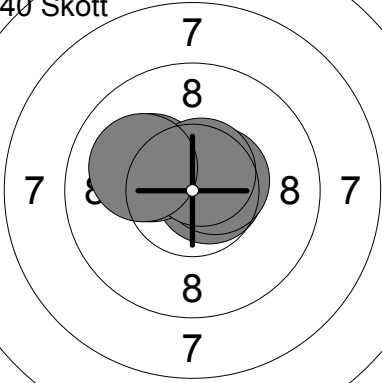
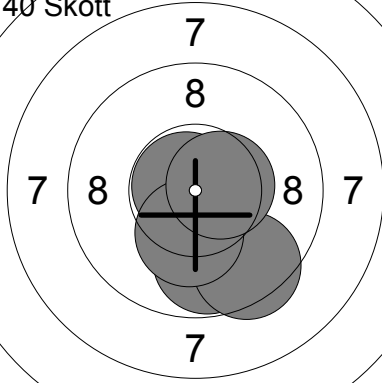
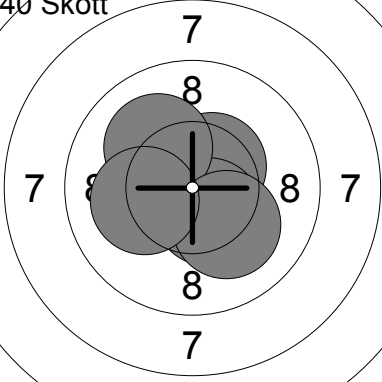
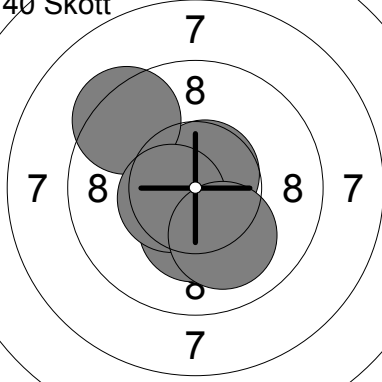
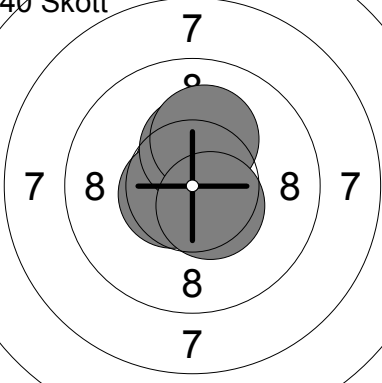
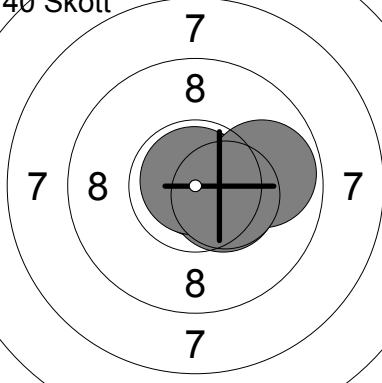
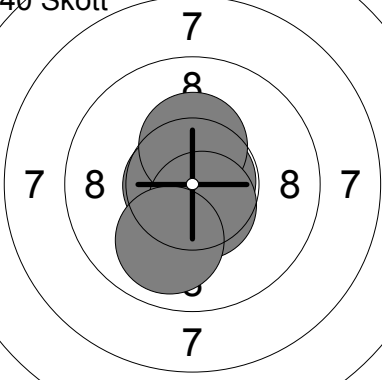
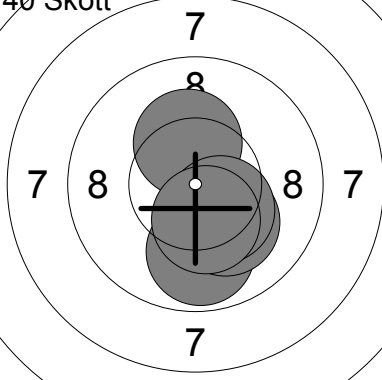


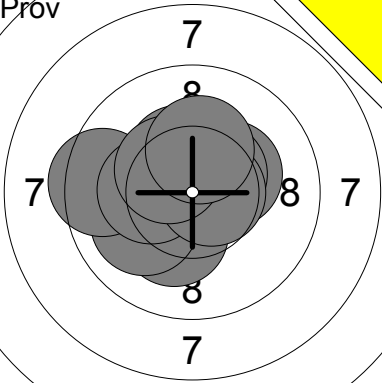
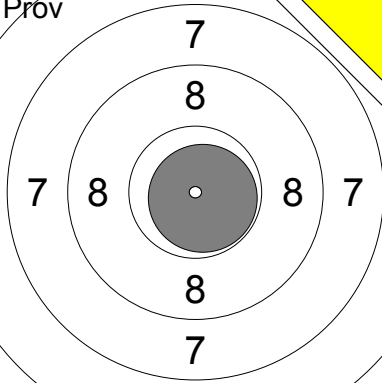
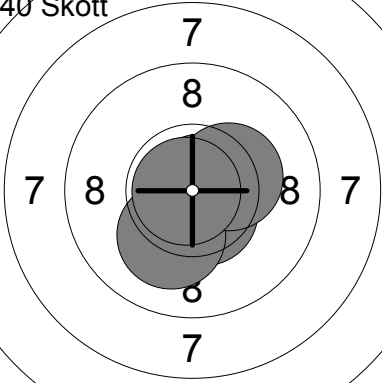
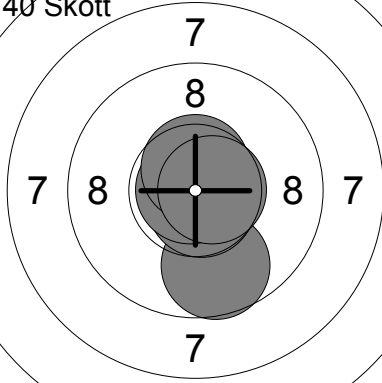
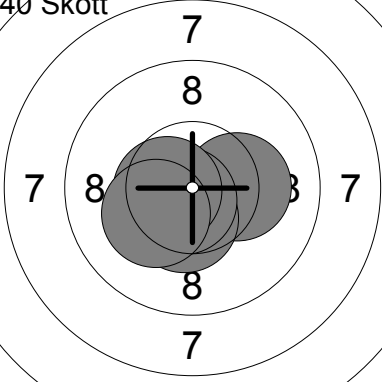
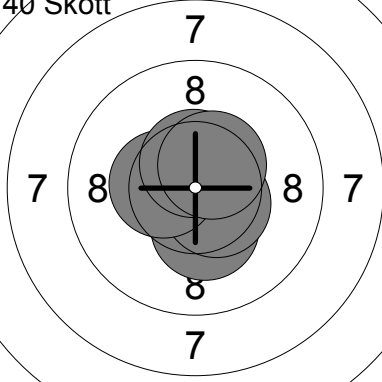
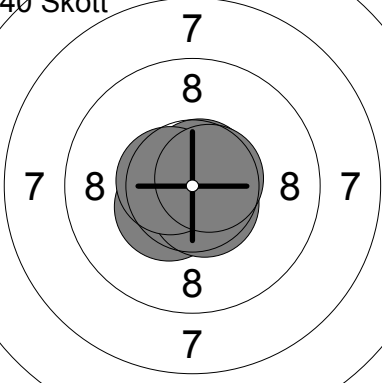
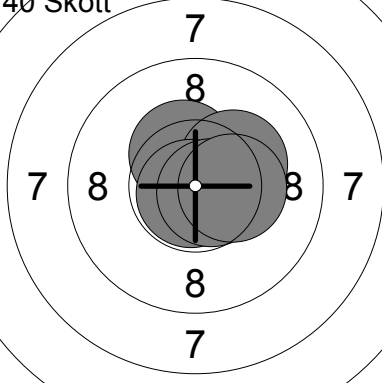
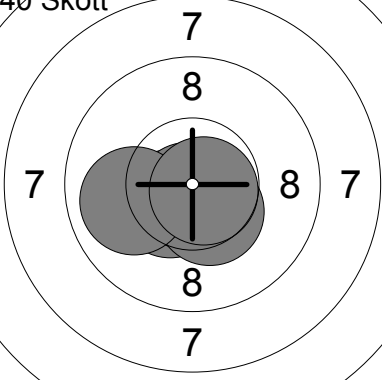
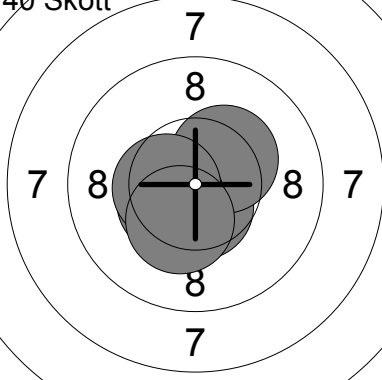
36:	10.4x	→
37:	10.7x	↗
38:	10.1	↑
39:	10.7x	↓
40:	10.6x	↑

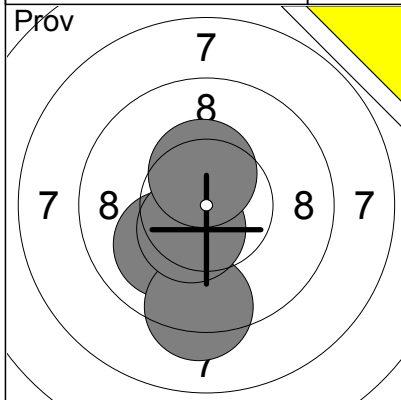
Serie	50.0
Total	399.0

Pröv 	1: 8.6 ↓ 2: 8.3 ↓ 3: 8.8 ↓ 4: 10.2x ↓ 5: 10.0 ↓ 6: 8.9 ↓ 7: 8.5 ← 8: 8.8 ← 9: 10.4x → 10: 10.6x ↓ <hr/> Serie 88.0 Total 0.0	40 Skott 	1: 8.4 ← 2: 10.5x ↑ 3: 9.8 ← 4: 10.5x ↓ 5: 9.0 ← <hr/> Serie 46.0 Total 46.0
40 Skott 	6: 10.5x ↑ 7: 9.8 ↓ 8: 10.2x ↑ 9: 10.1 → 10: 9.1 ↓ <hr/> Serie 48.0 Total 94.0	40 Skott 	11: 9.9 → 12: 9.0 ← 13: 9.4 ↓ 14: 10.4x ↓ 15: 10.2x ↓ <hr/> Serie 47.0 Total 141.0
40 Skott 	16: 9.5 ↓ 17: 10.0 ↓ 18: 10.5x ← 19: 9.8 ↓ 20: 10.6x ↓ <hr/> Serie 48.0 Total 189.0	40 Skott 	21: 9.4 ← 22: 9.4 ← 23: 9.6 ↓ 24: 10.0 ← 25: 10.7x → <hr/> Serie 47.0 Total 236.0
40 Skott 	26: 10.5x ↑ 27: 10.2x ↓ 28: 10.5x ↓ 29: 8.4 ← 30: 10.7x ← <hr/> Serie 48.0 Total 284.0	40 Skott 	31: 10.1 ↓ 32: 9.3 ↓ 33: 10.5x → 34: 10.4x → 35: 10.0 ↓ <hr/> Serie 49.0 Total 333.0
40 Skott 	36: 9.2 ↓ 37: 10.3x ← 38: 10.4x ↓ 39: 10.1 ← 40: 9.9 ↓ <hr/> Serie 48.0 Total 381.0		

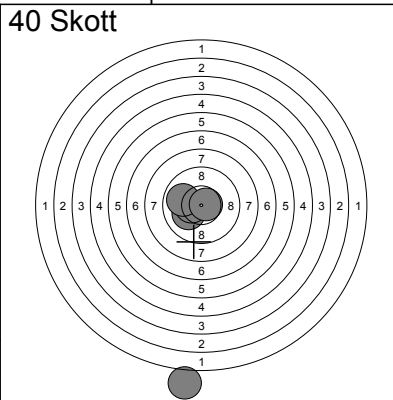
Skjutlag	Tavla	Kevin Kollberg	
1	18		
10m	Ramselefors	13	Vb
01.11.2015	Vindelnskottet 2015	Ramselefors SKF	
Pröv			
	1: 8.7 ↙ 2: 9.3 ↓ 3: 9.1 ↓ 4: 8.3 ↓ 5: 9.3 ↓ 6: 9.5 ↙ 7: 10.3x ↙ 8: 9.1 ↓ 9: 10.6x ↗ 10: 10.3x ↖	40 Skott	1: 10.4x ↙ 2: 10.4x → 3: 10.3x ↓ 4: 9.5 ↓ 5: 10.0 →
	Serie 91.0		Serie 49.0
	Total 0.0		Total 49.0
40 Skott		40 Skott	
	6: 10.5x ↖ 7: 10.8x ↙ 8: 10.5x ↗ 9: 10.0 ↓ 10: 10.2x ↑		11: 10.1 ↗ 12: 10.3x → 13: 10.1 ↖ 14: 10.3x ↖ 15: 10.2x ↗
	Serie 50.0		Serie 50.0
	Total 99.0		Total 149.0
40 Skott		40 Skott	
	16: 10.0 ↗ 17: 10.1 ↖ 18: 9.7 ↗ 19: 9.6 ↖ 20: 10.1 ↗		21: 9.8 ↑ 22: 10.0 ↗ 23: 9.9 ↓ 24: 10.3x ↖ 25: 10.2x ↘
	Serie 48.0		Serie 48.0
	Total 197.0		Total 245.0
40 Skott		40 Skott	
	26: 10.4x ↑ 27: 8.9 ↖ 28: 10.8x → 29: 9.4 ↗ 30: 10.7x ↑		31: 10.7x ↖ 32: 10.6x ↓ 33: 10.4x ↑ 34: 10.7x ↙ 35: 10.3x ↑
	Serie 47.0		Serie 50.0
	Total 292.0		Total 342.0
40 Skott			
	36: 10.4x ↗ 37: 9.6 ↖ 38: 10.2x ↘ 39: 10.3x ↗ 40: 9.3 ↑		
	Serie 48.0		
	Total 390.0		

Pröv 	1: 9.5 ↓ 2: 10.0 ↓ 3: 10.6x ↓ 4: 9.3 ↓ 5: 10.7x ↗ 6: 10.3x ↓ 7: 9.4 ↓ 8: 10.7x ↓ 9: 10.4x ↗ 10: 10.3x ↓ Serie 97.0 Total 0.0	Pröv 	11: 9.6 ↓ 12: 10.8x → 13: 10.6x ↓ 14: 10.1 ← 15: 9.3 ↓ 16: 10.5x ↗ 17: 10.6x ↓ Serie 68.0 Total 0.0
40 Skott 	1: 10.7x → 2: 10.5x → 3: 10.2x ↗ 4: 10.6x ↗ 5: 10.1 ↗ Serie 50.0 Total 50.0	40 Skott 	6: 10.8x ↗ 7: 9.8 ↓ 8: 9.5 ↓ 9: 10.3x ↓ 10: 10.5x → Serie 48.0 Total 98.0
40 Skott 	11: 10.5x ↗ 12: 10.5x ↓ 13: 10.1 ↗ 14: 10.1 ↓ 15: 10.1 ← Serie 50.0 Total 148.0	40 Skott 	16: 10.3x ↓ 17: 10.7x ↗ 18: 9.4 ↗ 19: 10.5x ← 20: 10.0 ↓ Serie 49.0 Total 197.0
40 Skott 	21: 10.7x ↗ 22: 10.6x ← 23: 10.4x ↑ 24: 10.1 ↑ 25: 10.5x ↓ Serie 50.0 Total 247.0	40 Skott 	26: 10.9x → 27: 10.4x → 28: 10.9x ↑ 29: 9.8 → 30: 10.4x → Serie 49.0 Total 296.0
40 Skott 	31: 10.8x → 32: 10.7x ← 33: 10.3x ↑ 34: 10.6x ↓ 35: 10.0 ↓ Serie 50.0 Total 346.0	40 Skott 	36: 9.8 ↓ 37: 10.3x ↑ 38: 10.1 ↓ 39: 10.4x ↓ 40: 10.3x ↓ Serie 49.0 Total 395.0

Pröv 	1: 10.3x → 2: 10.5x ↗ 3: 10.2x ↓ 4: 10.0 ← 5: 9.5 ← 6: 10.3x ← 7: 10.6x → 8: 10.4x ↗ 9: 10.4x ↗ 10: 10.2x ↑ Serie 99.0 Total 0.0	Pröv 	11: 10.8x ↘ Serie 10.0 Total 0.0
40 Skott 	1: 10.8x → 2: 10.5x ↓ 3: 10.1 ↓ 4: 10.3x → 5: 10.8x ← Serie 50.0 Total 50.0	40 Skott 	6: 9.7 ↓ 7: 10.7x ↓ 8: 10.9x ← 9: 10.6x ↑ 10: 10.7x → Serie 49.0 Total 99.0
40 Skott 	11: 10.2x → 12: 10.4x ↓ 13: 10.7x ↓ 14: 10.5x ← 15: 10.2x ↙ Serie 50.0 Total 149.0	40 Skott 	16: 10.3x ↓ 17: 10.5x ↘ 18: 10.4x ← 19: 10.6x ↑ 20: 10.5x ↗ Serie 50.0 Total 199.0
40 Skott 	21: 10.7x ↗ 22: 10.4x ↙ 23: 10.6x ↓ 24: 10.6x ← 25: 10.6x → Serie 50.0 Total 249.0	40 Skott 	26: 10.4x ↗ 27: 10.2x → 28: 10.8x ↓ 29: 10.7x → 30: 10.3x → Serie 50.0 Total 299.0
40 Skott 	31: 10.5x ↙ 32: 10.7x ↓ 33: 10.4x ↓ 34: 10.0 ← 35: 10.7x ↘ Serie 50.0 Total 349.0	40 Skott 	36: 10.6x ↓ 37: 10.3x ↗ 38: 10.5x ↙ 39: 10.5x ← 40: 10.3x ↓ Serie 50.0 Total 399.0



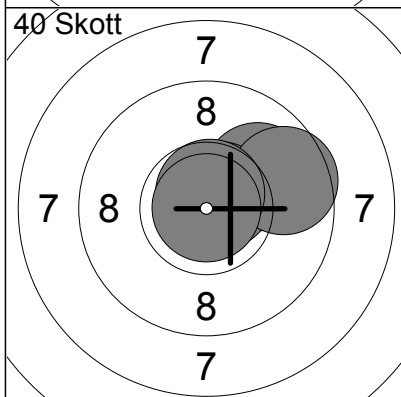
1: 10.0 ↙
 2: 9.3 ↓
 3: 10.5x ↙
 4: 10.4x ↑



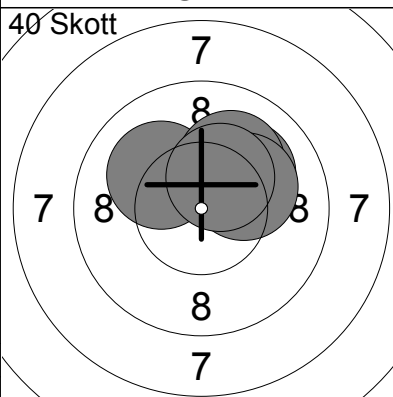
1: 10.1 ↙
 2: 10.4x ←
 3: 9.9 ↙
 4: 10.7x →
 5: 1.1 ↓

Serie 39.0
 Total 0.0

Serie 40.0
 Total 40.0



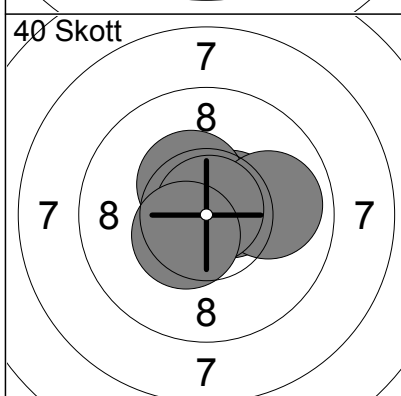
6: 10.0 ↗
 7: 10.6x ↗
 8: 9.6 →
 9: 10.7x ↑
 10: 10.9x ↑



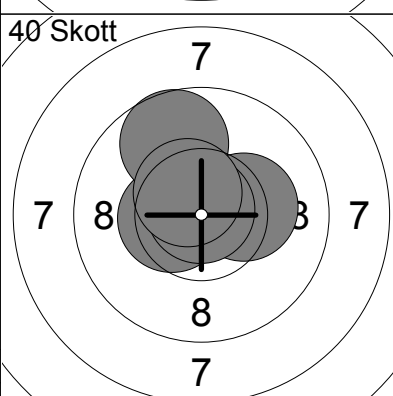
11: 10.1 ↗
 12: 10.1 ↗
 13: 10.1 ↗
 14: 10.2x ↗
 15: 10.4x ↗

Serie 49.0
 Total 89.0

Serie 50.0
 Total 139.0



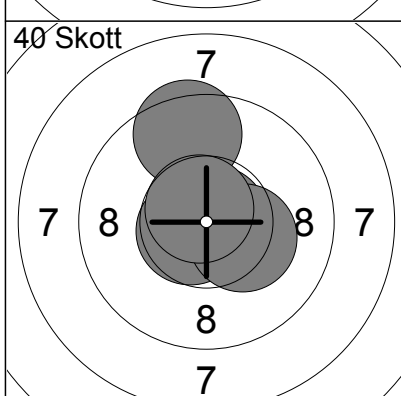
16: 10.5x ↗
 17: 10.4x ↗
 18: 9.9 →
 19: 10.9x ↗
 20: 10.5x ↙



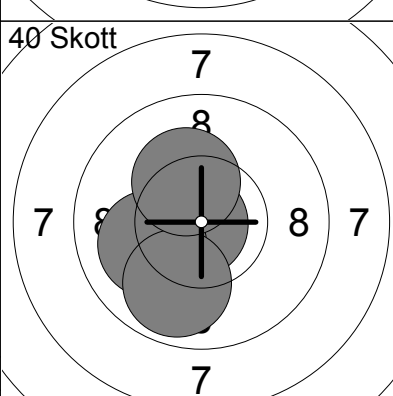
21: 10.5x ←
 22: 10.2x →
 23: 9.7 ↗
 24: 10.9x ↗
 25: 10.5x ↗

Serie 49.0
 Total 188.0

Serie 49.0
 Total 237.0



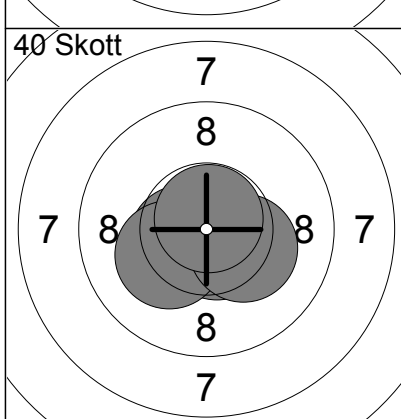
26: 10.8x →
 27: 10.6x ↙
 28: 9.5 ↗
 29: 10.3x ↗
 30: 10.7x ↗



31: 10.6x ↗
 32: 10.8x ←
 33: 10.1 ←
 34: 9.9 ↙
 35: 10.2x ↗

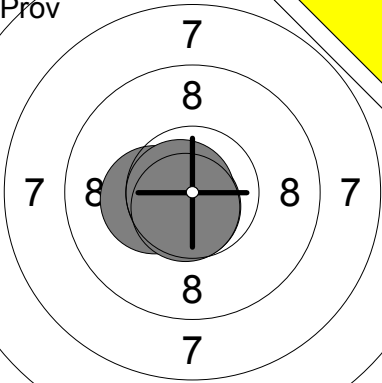
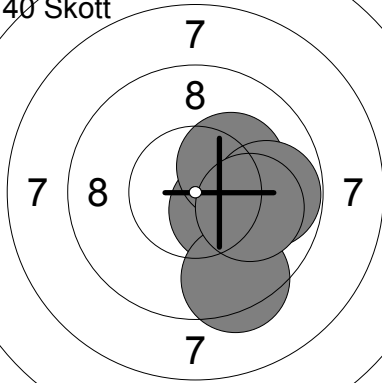
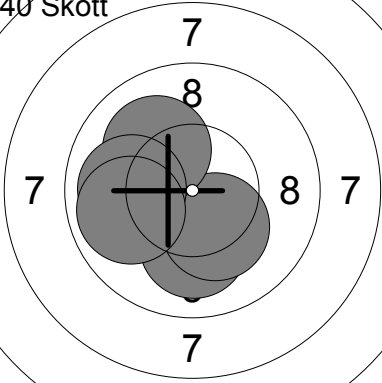
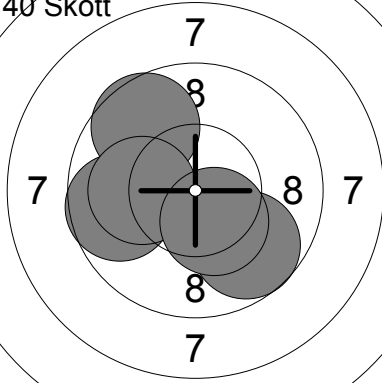
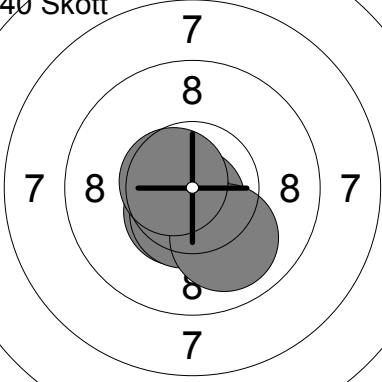
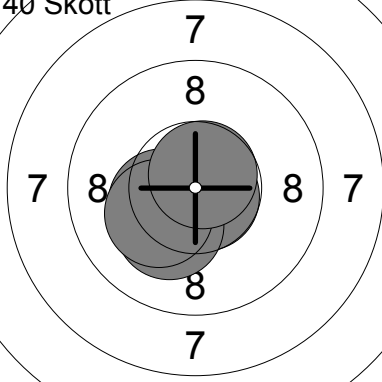
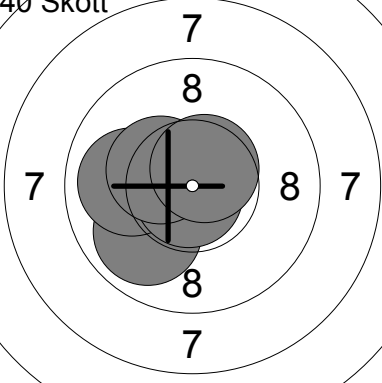
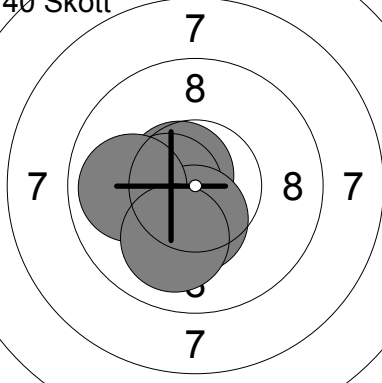
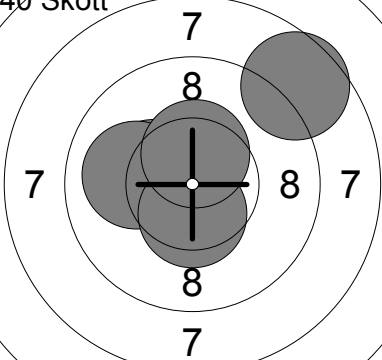
Serie 49.0
 Total 286.0

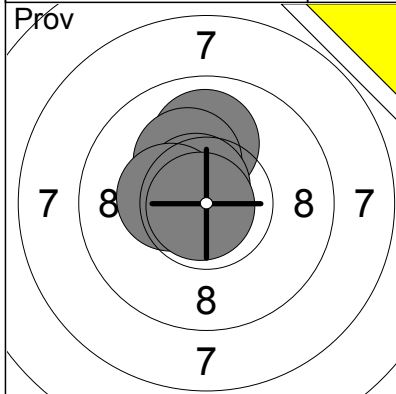
Serie 49.0
 Total 335.0



36: 10.5x ←
 37: 10.6x ↙
 38: 10.2x ↙
 39: 10.3x →
 40: 10.8x ↑

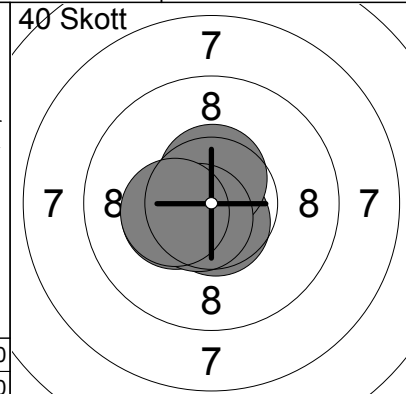
Serie 50.0
 Total 385.0

Pröv 	1: 10.3x ← 2: 10.7x ↓ 3: 10.7x ← 4: 10.7x ↓ <hr/> Serie 40.0 Total 0.0	40 Skott 	1: 10.4x ↘ 2: 10.2x ↗ 3: 9.8 → 4: 9.4 ↓ 5: 10.0 ↘ <hr/> Serie 48.0 Total 48.0
40 Skott 	6: 10.1 ↓ 7: 10.2x ↓ 8: 10.1 ↗ 9: 9.9 ← 10: 9.9 ← <hr/> Serie 48.0 Total 96.0	40 Skott 	11: 9.7 ← 12: 9.6 ↗ 13: 10.1 ← 14: 9.7 ↓ 15: 10.4x ↓ <hr/> Serie 47.0 Total 143.0
40 Skott 	16: 10.7x ↓ 17: 10.5x ↓ 18: 10.5x ↓ 19: 10.0 ↓ 20: 10.6x ← <hr/> Serie 50.0 Total 193.0	40 Skott 	21: 10.4x ← 22: 10.7x ↓ 23: 10.2x ↓ 24: 10.2x ← 25: 10.7x ↗ <hr/> Serie 50.0 Total 243.0
40 Skott 	26: 9.9 ↘ 27: 10.0 ← 28: 10.8x ↓ 29: 10.4x ↗ 30: 10.6x ↗ <hr/> Serie 49.0 Total 292.0	40 Skott 	31: 10.6x ↗ 32: 10.5x ← 33: 10.4x ↓ 34: 9.9 ← 35: 10.0 ↓ <hr/> Serie 49.0 Total 341.0
40 Skott 	36: 10.3x ← 37: 8.6 ↗ 38: 10.0 ← 39: 10.5x ↓ 40: 10.5x ↑ <hr/> Serie 48.0 Total 389.0		



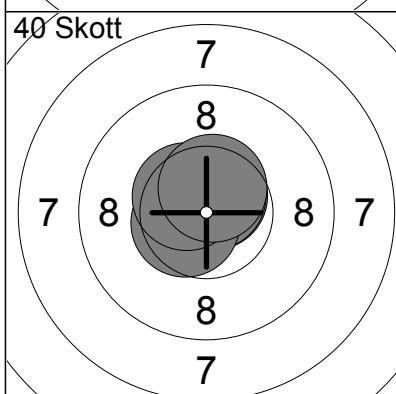
40 Skott

1:	10.0	↑
2:	10.2x	↑
3:	10.6x	↑
4:	10.4x	←
5:	10.8x	←
Serie		50.0
Total		0.0



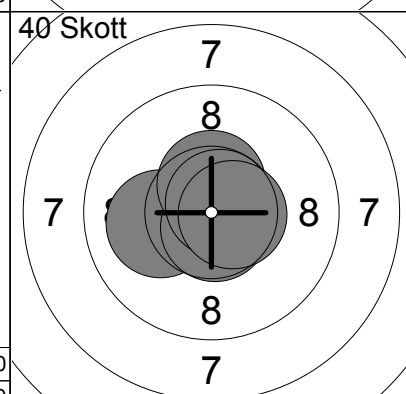
40 Skott

1:	10.6x	↓
2:	10.5x	↑
3:	10.3x	←
4:	10.6x	↓
5:	10.3x	←
Serie		50.0
Total		50.0



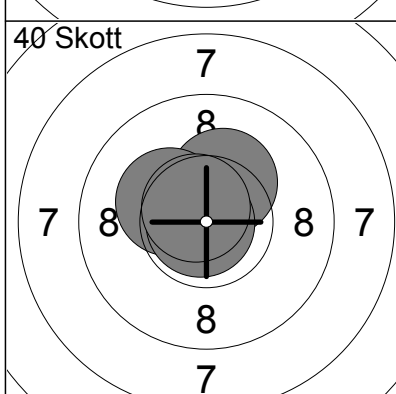
40 Skott

6:	10.7x	↑
7:	10.7x	↑
8:	10.6x	←
9:	10.5x	↑
10:	10.5x	↑
Serie		50.0
Total		100.0



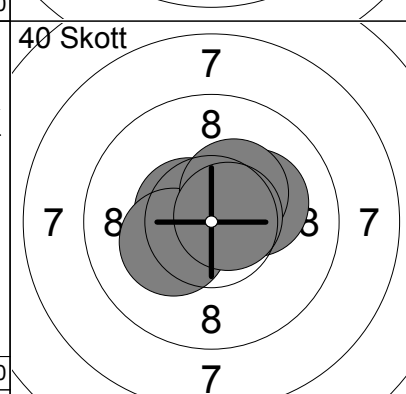
40 Skott

11:	10.1	←
12:	10.7x	↓
13:	10.5x	↑
14:	10.7x	↑
15:	10.6x	→
Serie		50.0
Total		150.0



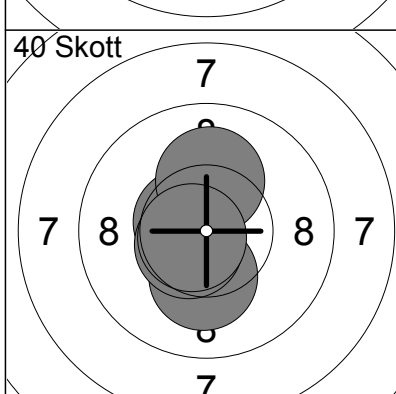
40 Skott

16:	10.7x	↑
17:	10.2x	↑
18:	10.3x	↑
19:	10.8x	←
20:	10.7x	↑
Serie		50.0
Total		200.0



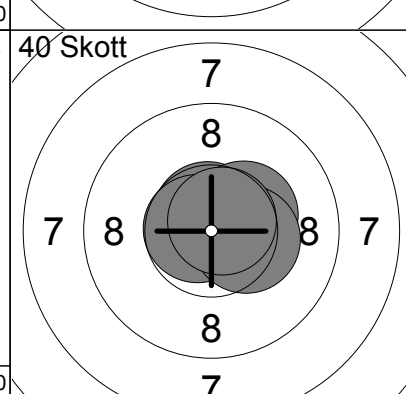
40 Skott

21:	10.5x	←
22:	10.2x	→
23:	10.2x	←
24:	10.3x	↑
25:	10.7x	→
Serie		50.0
Total		250.0



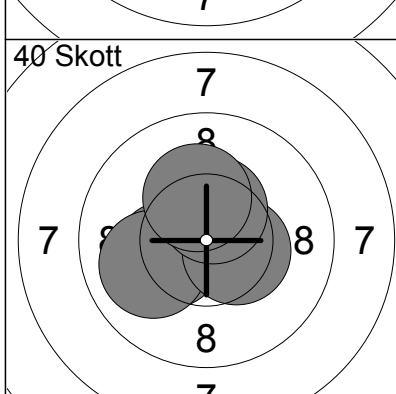
40 Skott

26:	10.6x	←
27:	10.2x	↓
28:	10.1	↑
29:	10.6x	←
30:	10.7x	←
Serie		50.0
Total		300.0



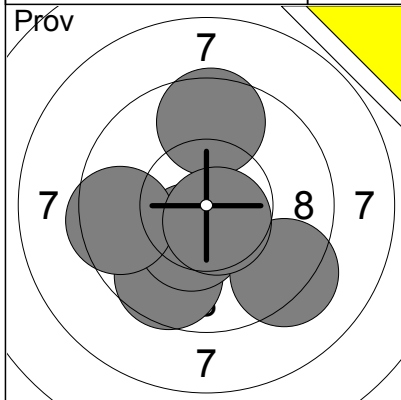
40 Skott

31:	10.7x	↑
32:	10.7x	←
33:	10.3x	→
34:	10.4x	→
35:	10.7x	↑
Serie		50.0
Total		350.0

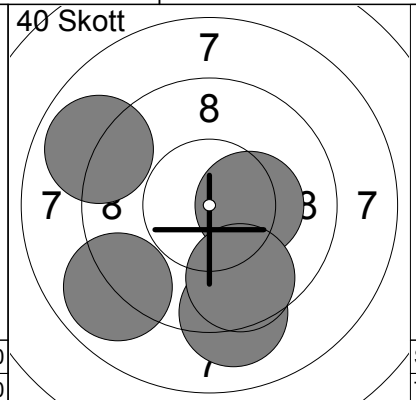


40 Skott

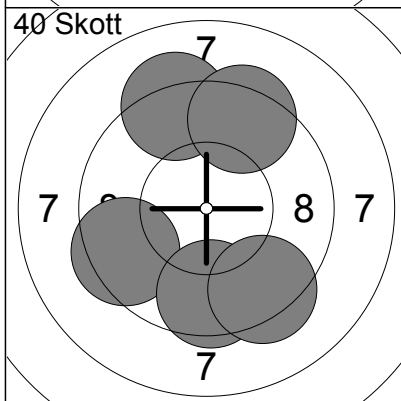
36:	10.3x	←
37:	10.0	←
38:	10.4x	→
39:	10.4x	↑
40:	10.2x	↑
Serie		50.0
Total		400.0



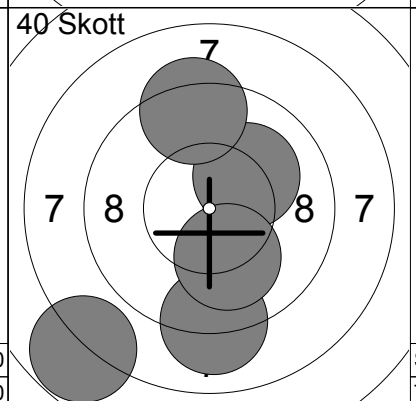
1:	9.6	↙
2:	10.4x	↘
3:	9.3	↘
4:	9.6	↗
5:	9.5	↖
6:	10.6x	↘
Serie		56.0
Total		0.0



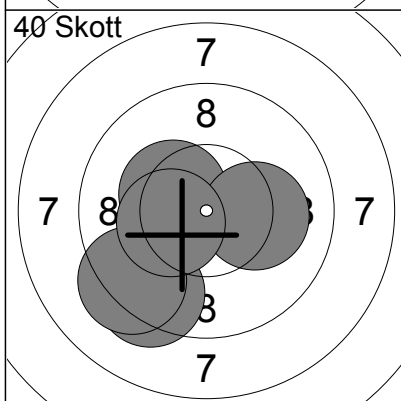
1:	8.9	↖
2:	10.3x	→
3:	9.1	↘
4:	8.9	↙
5:	9.7	↘
Serie		44.0
Total		44.0



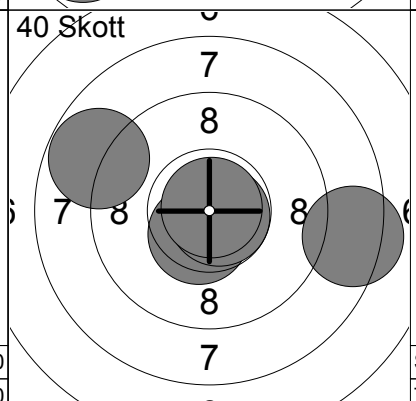
6:	9.4	↖
7:	9.5	↘
8:	9.3	↘
9:	9.2	↗
10:	9.4	↗
Serie		45.0
Total		89.0



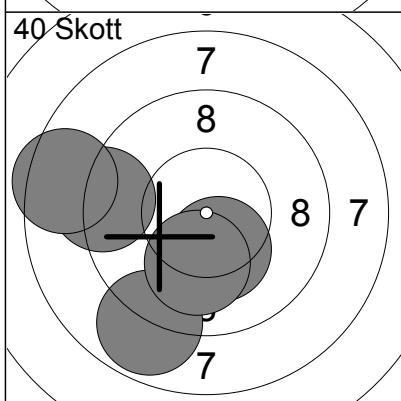
11:	10.1	↗
12:	9.3	↗
13:	7.8	↘
14:	9.1	↘
15:	10.1	↘
Serie		45.0
Total		134.0



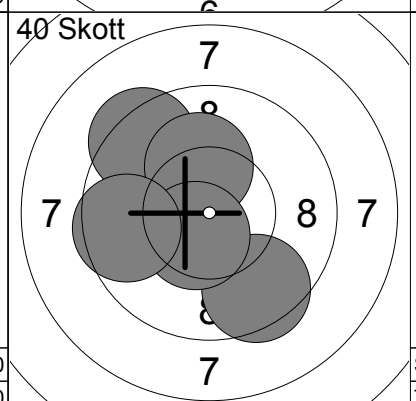
16:	10.3x	↗
17:	10.2x	→
18:	9.3	↘
19:	9.3	↘
20:	10.3x	↖
Serie		48.0
Total		182.0



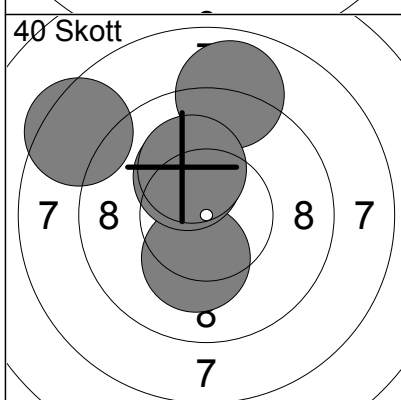
21:	10.5x	↘
22:	10.8x	→
23:	10.9x	↗
24:	8.8	↖
25:	8.4	→
Serie		46.0
Total		228.0



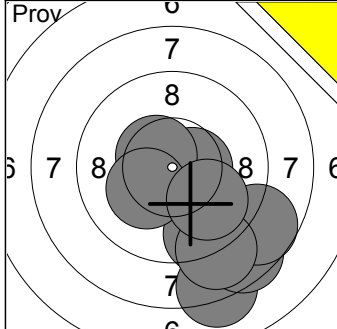
26:	8.8	↘
27:	10.3x	↘
28:	10.1	↘
29:	9.2	↖
30:	8.5	↖
Serie		45.0
Total		273.0



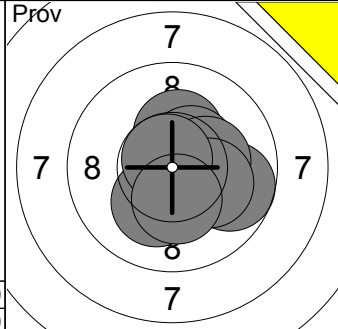
31:	9.5	↘
32:	9.3	↗
33:	10.2x	↗
34:	10.5x	↘
35:	9.6	↖
Serie		47.0
Total		320.0



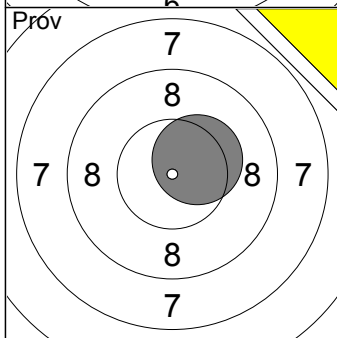
36:	8.4	↖
37:	10.2x	↘
38:	10.2x	↗
39:	8.9	↗
40:	10.2x	↗
Serie		46.0
Total		366.0



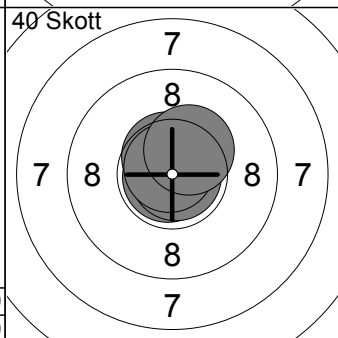
1:	9.0	↘
2:	8.1	↘
3:	8.5	↘
4:	9.3	↘
5:	8.7	↘
6:	8.9	↘
7:	10.5x	→
8:	10.5x	↗
9:	10.2x	↘
10:	9.9	↘
Serie	89.0	
Total	0.0	



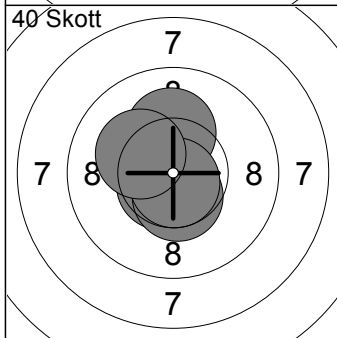
11:	10.7x	↗
12:	9.8	→
13:	10.7x	→
14:	10.3x	↑
15:	10.5x	↗
16:	10.3x	→
17:	10.2x	↘
18:	10.2x	↘
19:	10.8x	↗
20:	10.3x	↘
Serie	99.0	
Total	0.0	



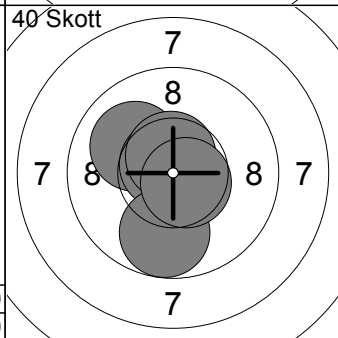
21:	10.4x	↗
Serie	10.0	
Total	0.0	



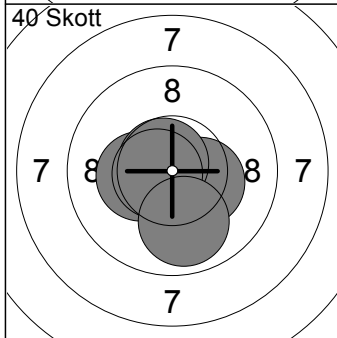
1:	10.8x	↘
2:	10.6x	↑
3:	10.9x	→
4:	10.8x	↗
5:	10.4x	↗
Serie	50.0	
Total	50.0	



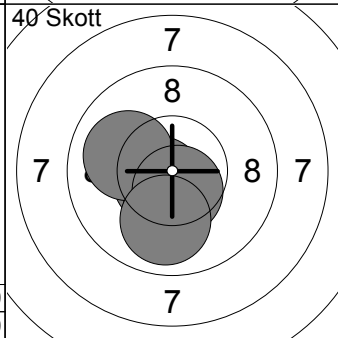
6:	10.6x	↘
7:	10.1	↑
8:	10.5x	↘
9:	10.8x	↘
10:	10.2x	↗
Serie	50.0	
Total	100.0	



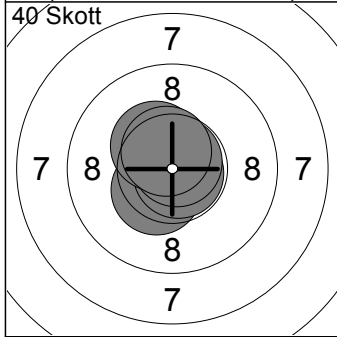
11:	10.0	↖
12:	10.7x	↖
13:	10.6x	↑
14:	9.8	↘
15:	10.6x	↘
Serie	49.0	
Total	149.0	



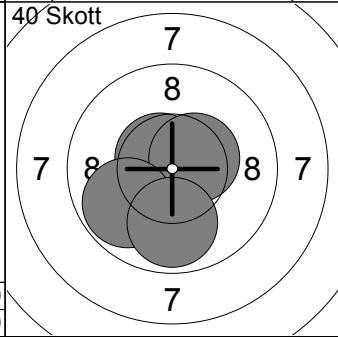
16:	10.4x	→
17:	10.3x	←
18:	10.7x	↗
19:	10.6x	←
20:	9.9	↘
Serie	49.0	
Total	198.0	



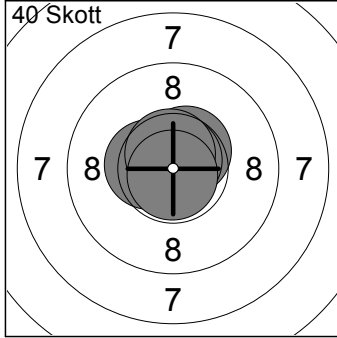
21:	10.6x	↘
22:	10.3x	↘
23:	10.0	↖
24:	10.5x	↘
25:	10.0	↘
Serie	50.0	
Total	248.0	



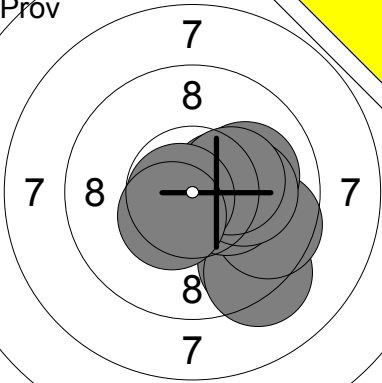
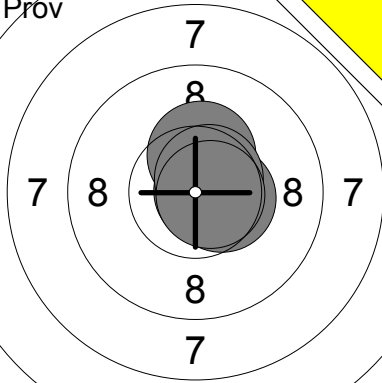
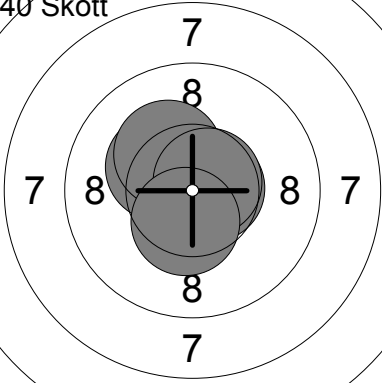
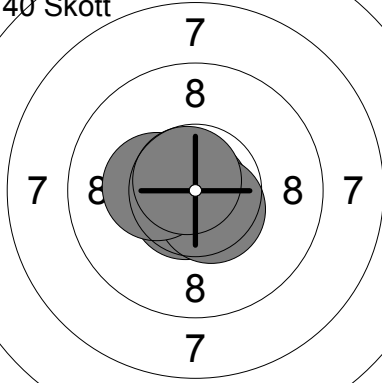
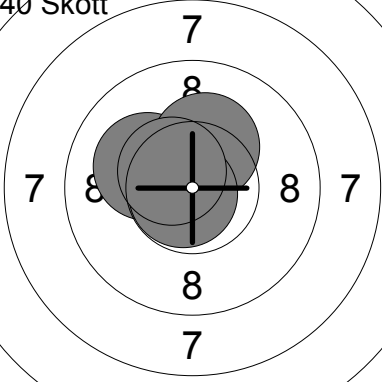
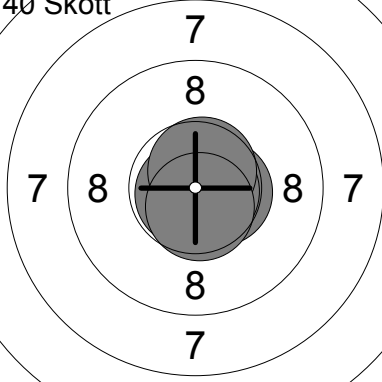
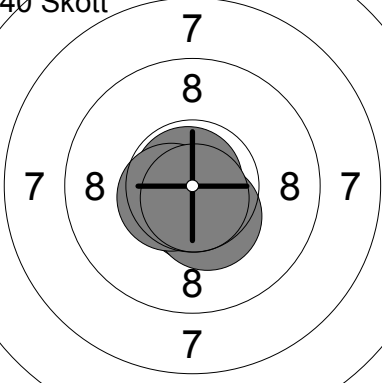
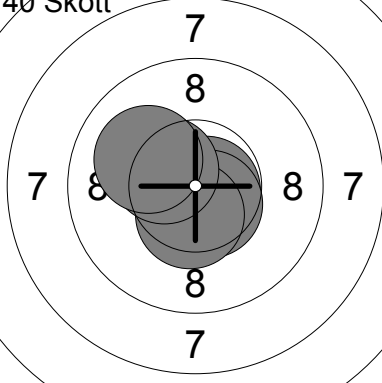
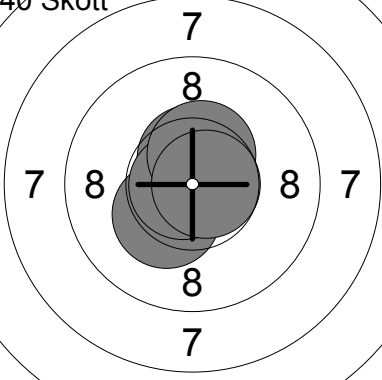
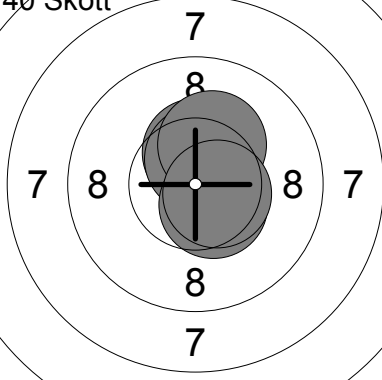
26:	10.4x	↘
27:	10.8x	↘
28:	10.4x	↗
29:	10.8x	↗
30:	10.6x	↗
Serie	50.0	
Total	298.0	

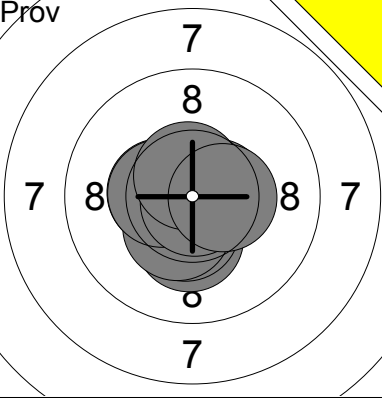
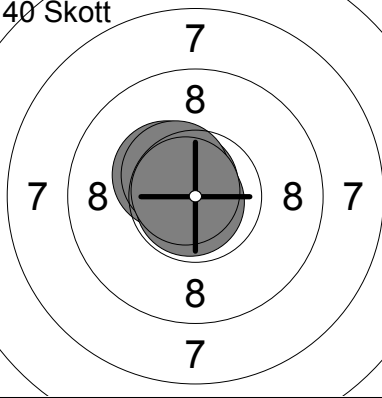
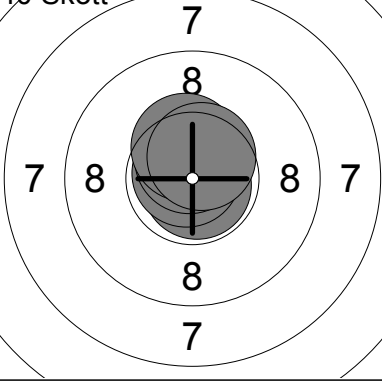
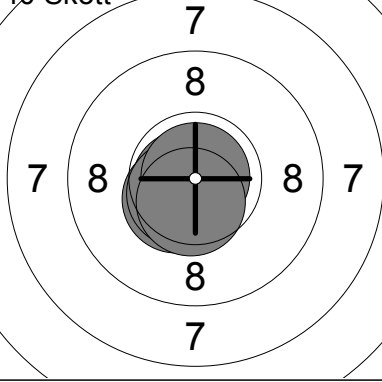
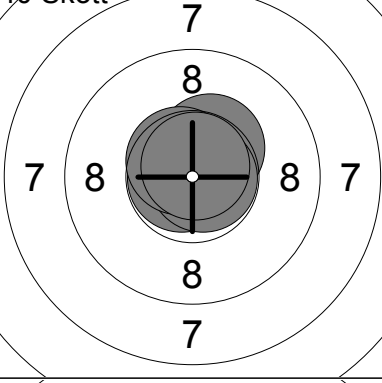
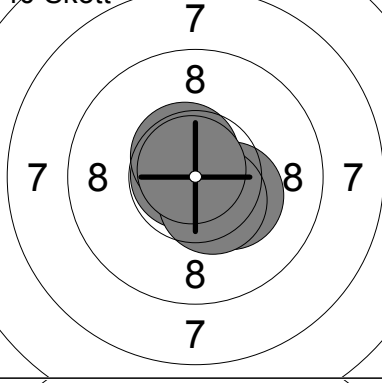
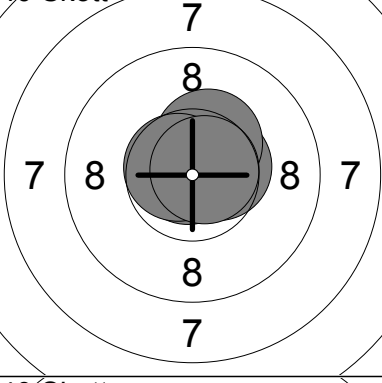
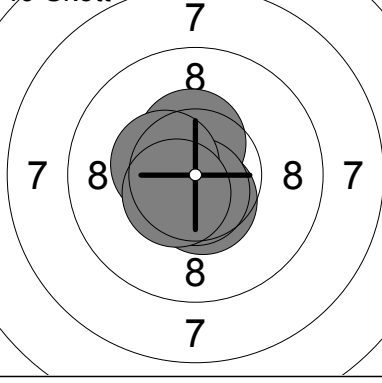
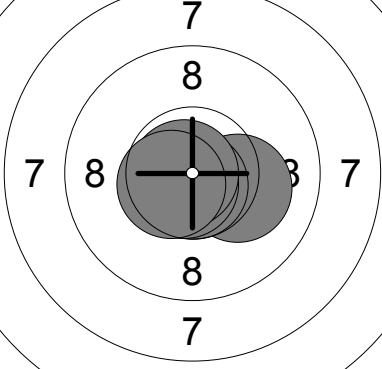


31:	10.4x	↘
32:	10.6x	↖
33:	10.5x	↗
34:	9.8	↖
35:	9.9	↘
Serie	48.0	
Total	346.0	



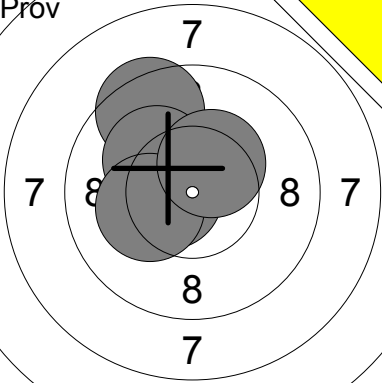
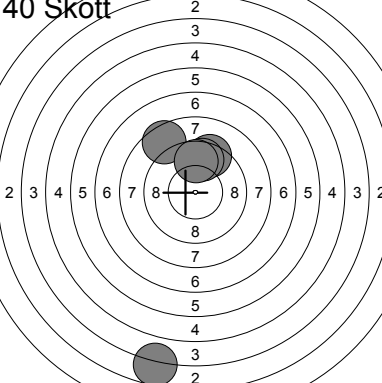
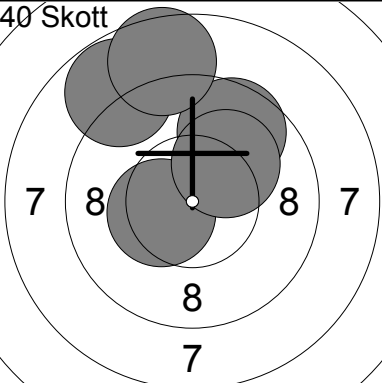
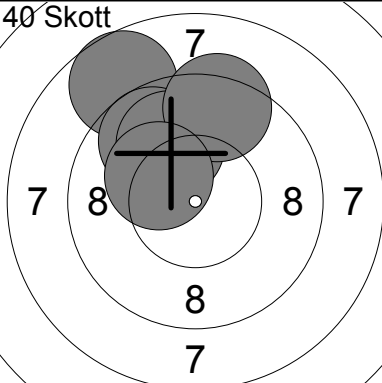
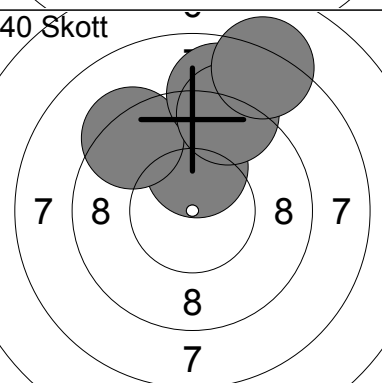
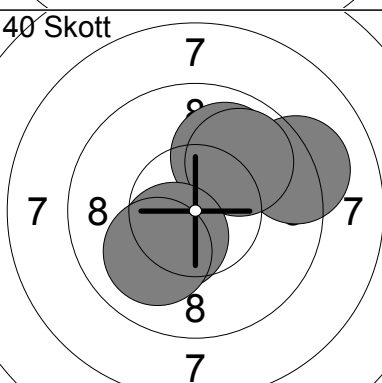
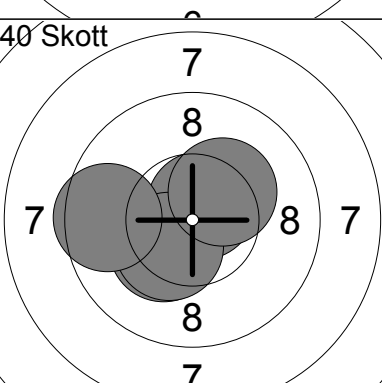
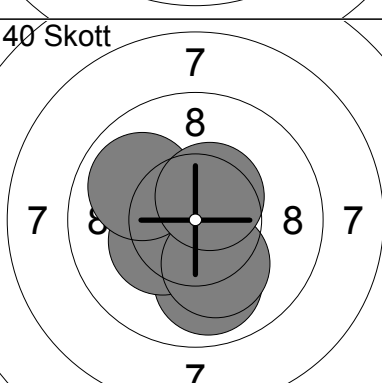
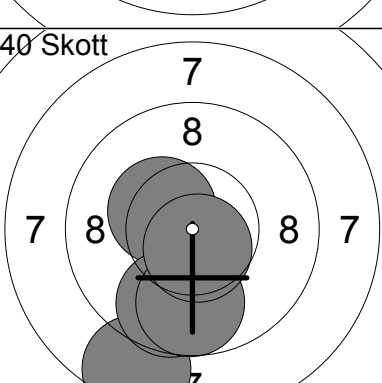
36:	10.5x	←
37:	10.5x	↗
38:	10.8x	↗
39:	10.7x	↑
40:	10.8x	↘
Serie	50.0	
Total	396.0	

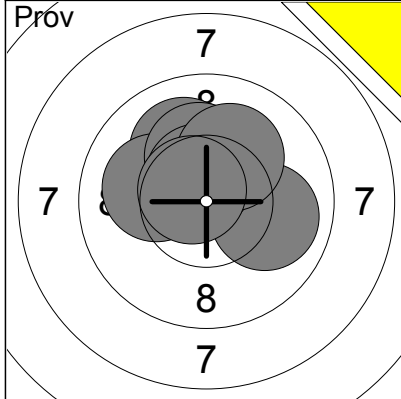
Pröv 	1: 9.5 ↘ 2: 9.2 ↘ 3: 9.6 ↘ 4: 10.0 → 5: 10.4x → 6: 10.5x → 7: 10.1 → 8: 10.3x → 9: 10.7x ← 10: 10.4x ↙ <hr/> Serie 97.0 Total 0.0	Pröv 	11: 10.7x → 12: 10.3x ↑ 13: 10.5x → 14: 10.6x ↗ 15: 10.7x → <hr/> Serie 50.0 Total 0.0
40 Skott 	1: 10.6x → 2: 10.3x ↗ 3: 10.2x ↗ 4: 10.7x → 5: 10.4x ↓ <hr/> Serie 50.0 Total 50.0	40 Skott 	6: 10.9x ↓ 7: 10.7x ↓ 8: 10.5x ↓ 9: 10.3x ← 10: 10.7x ↗ <hr/> Serie 50.0 Total 100.0
40 Skott 	11: 10.6x ↗ 12: 10.1 ↗ 13: 10.2x ↑ 14: 10.8x ← 15: 10.5x ↗ <hr/> Serie 50.0 Total 150.0	40 Skott 	16: 10.8x ↙ 17: 10.6x → 18: 10.8x → 19: 10.7x ↗ 20: 10.6x ↓ <hr/> Serie 50.0 Total 200.0
40 Skott 	21: 10.6x ↓ 22: 10.4x ↓ 23: 10.8x ↗ 24: 10.6x ← 25: 10.7x ↓ <hr/> Serie 50.0 Total 250.0	40 Skott 	26: 10.8x → 27: 10.6x ↓ 28: 10.5x ↓ 29: 10.4x ↗ 30: 10.1 ↗ <hr/> Serie 50.0 Total 300.0
40 Skott 	31: 10.3x ↙ 32: 10.5x ↑ 33: 10.8x ← 34: 10.4x ↑ 35: 10.7x → <hr/> Serie 50.0 Total 350.0	40 Skott 	36: 10.4x ↑ 37: 10.5x ↑ 38: 10.3x ↗ 39: 10.5x ↓ 40: 10.6x → <hr/> Serie 50.0 Total 400.0

Skjutlag	Tavla	Melker Foghelin	
1	29	Vännäs	Vb
10m	Vindelnskottet 2015	Ramselefors SKF	13
01.11.2015			
Pröv		40 Skott	
	1: 10.4x ← 2: 10.5x ← 3: 10.3x ↓ 4: 10.4x ↓ 5: 10.4x ↓ 6: 10.6x → 7: 10.5x ← 8: 10.8x ↓ 9: 10.6x ↑ 10: 10.4x →	1: 10.7x ↗ 2: 10.4x ↗ 3: 10.8x ↓ 4: 10.5x ↗ 5: 10.8x ↗	
	Serie 100.0 Total 0.0	Serie 50.0 Total 50.0	
40 Skott		40 Skott	
	6: 10.8x ↓ 7: 10.8x ↗ 8: 10.6x ↗ 9: 10.4x ↗ 10: 10.6x ↗	11: 10.8x ← 12: 10.5x ↓ 13: 10.6x ↓ 14: 10.9x ↑ 15: 10.6x ↓	
	Serie 50.0 Total 100.0	Serie 50.0 Total 150.0	
40 Skott		40 Skott	
	16: 10.8x ← 17: 10.4x ↗ 18: 10.8x → 19: 10.6x ↗ 20: 10.8x ↑	21: 10.8x ← 22: 10.3x ↓ 23: 10.5x ↓ 24: 10.6x ↗ 25: 10.8x ↗	
	Serie 50.0 Total 200.0	Serie 50.0 Total 250.0	
40 Skott		40 Skott	
	26: 10.5x → 27: 10.4x ↗ 28: 10.8x ↗ 29: 10.7x ↗ 30: 10.7x →	31: 10.4x ↑ 32: 10.5x ↓ 33: 10.7x ↓ 34: 10.4x ← 35: 10.5x ↓	
	Serie 50.0 Total 300.0	Serie 50.0 Total 350.0	
40 Skott			
	36: 10.2x → 37: 10.7x ↓ 38: 10.7x ↓ 39: 10.8x ← 40: 10.5x ←		
	Serie 50.0 Total 400.0		

Pröv 	1: 9.1 ↘ 2: 9.8 ↘ 3: 9.8 ↘ 4: 10.0 ↘ 5: 10.5x ↗ 6: 10.6x ↘ 7: 10.8x ↗ 8: 10.2x ↗ 9: 10.5x ↖ 10: 10.4x ↘ Serie 97.0 Total 0.0	40 Skott 	1: 10.0 ↘ 2: 10.8x ← 3: 10.8x ↗ 4: 10.6x ↘ 5: 10.7x → Serie 50.0 Total 50.0
40 Skott 	6: 10.4x ↖ 7: 10.3x ← 8: 10.6x ↘ 9: 10.0 → 10: 10.5x ↗ Serie 50.0 Total 100.0	40 Skott 	11: 10.5x ← 12: 10.8x ↘ 13: 10.5x → 14: 10.6x ↘ 15: 10.3x ↘ Serie 50.0 Total 150.0
40 Skott 	16: 10.0 ↗ 17: 10.5x ↘ 18: 10.3x ↘ 19: 10.5x ↗ 20: 10.6x ↘ Serie 50.0 Total 200.0	40 Skott 	21: 10.7x ← 22: 9.7 ↘ 23: 10.8x ↗ 24: 9.9 ↖ 25: 10.5x ← Serie 48.0 Total 248.0
40 Skott 	26: 9.6 ↘ 27: 10.6x ← 28: 10.1 ↘ 29: 10.0 ↘ 30: 9.8 ↖ Serie 48.0 Total 296.0	40 Skott 	31: 10.5x ↗ 32: 10.1 ← 33: 10.6x ↗ 34: 10.5x ↗ 35: 10.1 ↗ Serie 50.0 Total 346.0
40 Skott 	36: 10.3x ↗ 37: 10.5x ↗ 38: 10.4x ↗ 39: 10.6x ↗ 40: 10.7x ↘ Serie 50.0 Total 396.0		

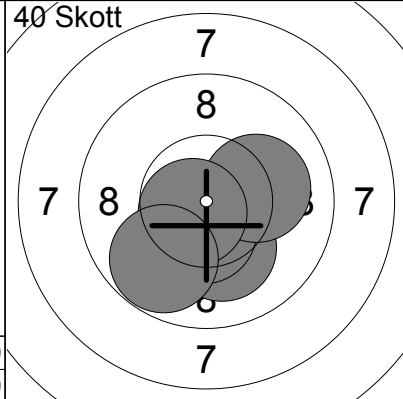
10m	Ramselefors	Sitt	Vb
01.11.2015	Vindelnskottet 2015	Ramselefors SKF	
Pröv 	1: 10.7x 2: 10.5x 3: 10.6x 4: 9.2 5: 10.3x 6: 10.4x 7: 9.5 8: 10.0 9: 10.3x 10: 10.3x Serie 98.0 Total 0.0	Pröv 	11: 10.6x 12: 9.7 13: 10.7x 14: 10.2x 15: 9.9 16: 9.8 17: 10.1 18: 9.5 19: 10.7x 20: 10.0 Serie 96.0 Total 0.0
Pröv 	21: 10.3x 22: 9.5 23: 9.9 24: 9.7 25: 10.3x 26: 10.6x 27: 10.6x 28: 10.7x 29: 10.2x Serie 87.0 Total 0.0	40 Skott 	1: 10.3x 2: 10.3x 3: 9.6 4: 10.7x 5: 10.1 Serie 49.0 Total 49.0
40 Skott 	6: 10.1 7: 10.3x 8: 10.5x 9: 10.2x 10: 10.2x Serie 50.0 Total 99.0	40 Skott 	11: 10.7x 12: 10.7x 13: 10.7x 14: 10.2x 15: 10.6x Serie 50.0 Total 149.0
40 Skott 	16: 10.0 17: 10.4x 18: 10.4x 19: 9.9 20: 10.3x Serie 49.0 Total 198.0	40 Skott 	21: 9.6 22: 10.7x 23: 10.0 24: 10.3x 25: 10.2x Serie 49.0 Total 247.0
40 Skott 	26: 10.4x 27: 10.0 28: 10.6x 29: 10.1 30: 10.7x Serie 50.0 Total 297.0	40 Skott 	31: 9.9 32: 10.6x 33: 10.4x 34: 10.1 35: 10.2x Serie 49.0 Total 346.0
40 Skott 	36: 10.1 37: 10.3x 38: 9.9 39: 9.7 40: 10.2x Serie 48.0 Total 394.0		

Pröv 	1: 10.6x ← 2: 9.4 ↗ 3: 10.2x ↗ 4: 10.2x ← 5: 10.4x ↗ <hr/> Serie 49.0 Total 0.0	40 Skott 	1: 8.5 ↗ 2: 9.3 ↗ 3: 9.6 ↗ 4: 3.7 ↓ 5: 9.7 ↗ <hr/> Serie 38.0 Total 38.0
40 Skott 	6: 10.4x ← 7: 8.8 ↗ 8: 9.6 ↗ 9: 8.6 ↗ 10: 10.1 ↗ <hr/> Serie 45.0 Total 83.0	40 Skott 	11: 8.7 ↗ 12: 9.7 ↗ 13: 9.9 ↗ 14: 9.4 ↗ 15: 10.2x ↖ <hr/> Serie 45.0 Total 128.0
40 Skott 	16: 10.2x ↑ 17: 9.3 ↗ 18: 8.9 ↑ 19: 9.2 ↑ 20: 8.2 ↑ <hr/> Serie 44.0 Total 172.0	40 Skott 	21: 9.9 ↗ 22: 9.2 → 23: 9.9 ↗ 24: 10.4x ↓ 25: 10.0 ↓ <hr/> Serie 47.0 Total 219.0
40 Skott 	26: 10.7x ↗ 27: 10.3x ↓ 28: 10.4x ↓ 29: 9.6 ← 30: 10.3x ↗ <hr/> Serie 49.0 Total 268.0	40 Skott 	31: 9.9 ↓ 32: 10.3x ↓ 33: 10.2x ↓ 34: 9.9 ↖ 35: 10.5x ↗ <hr/> Serie 48.0 Total 316.0
40 Skott 	36: 8.5 ↓ 37: 10.4x ↖ 38: 9.7 ↓ 39: 9.7 ↓ 40: 10.6x ↓ <hr/> Serie 46.0 Total 362.0		



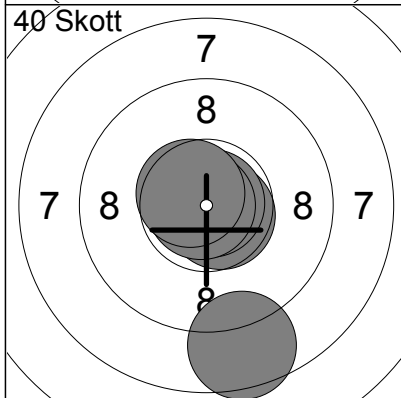
40 Skott

1:	10.0	↗
2:	10.1	↖
3:	10.6x	↗
4:	10.0	→
5:	10.2x	↗
6:	10.5x	↗
7:	10.1	↗
8:	10.7x	↗
Serie	80.0	
Total	0.0	



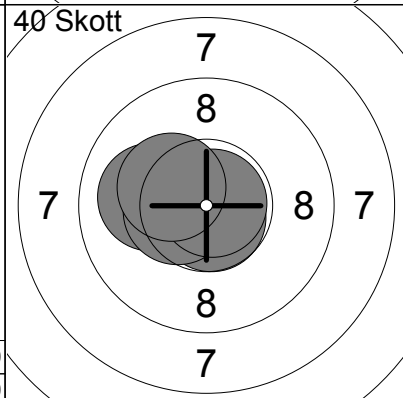
40 Skott

1:	10.1	↓
2:	10.5x	↓
3:	10.1	→
4:	10.7x	↙
5:	9.8	↙
Serie	49.0	
Total	49.0	



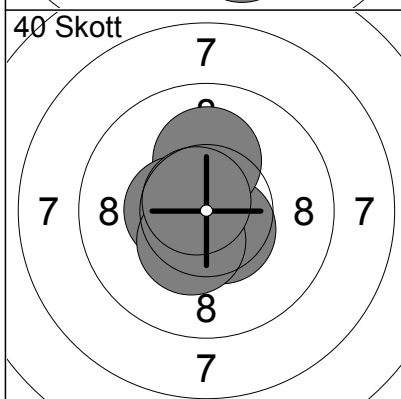
40 Skott

6:	10.7x	↘
7:	8.6	↘
8:	10.9x	→
9:	10.9x	←
10:	10.6x	↗
Serie	48.0	
Total	97.0	



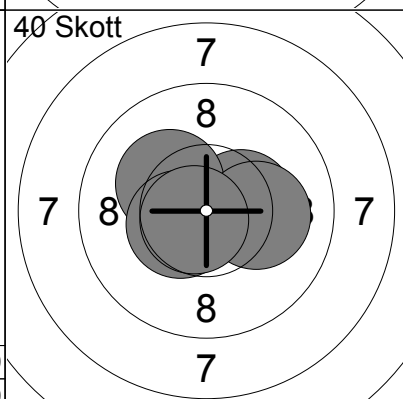
40 Skott

11:	10.0	←
12:	10.7x	↓
13:	10.5x	←
14:	10.8x	→
15:	10.3x	↖
Serie	50.0	
Total	147.0	



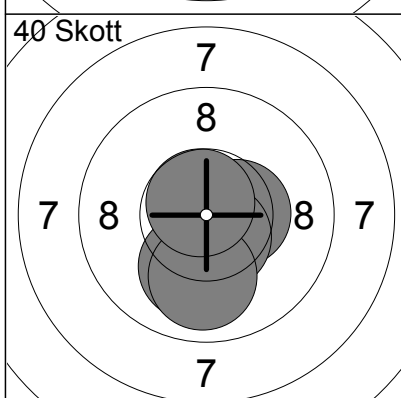
40 Skott

16:	10.6x	↘
17:	10.1	↗
18:	10.5x	←
19:	10.4x	↘
20:	10.7x	↗
Serie	50.0	
Total	197.0	



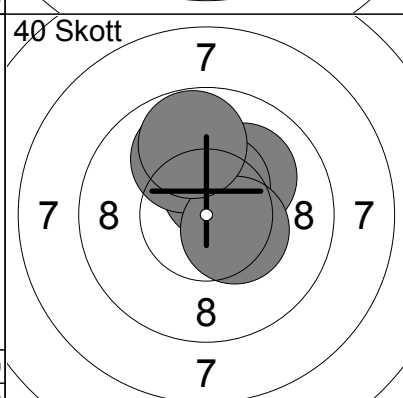
40 Skott

21:	10.4x	→
22:	10.2x	↖
23:	10.1	→
24:	10.5x	↙
25:	10.7x	↙
Serie	50.0	
Total	247.0	



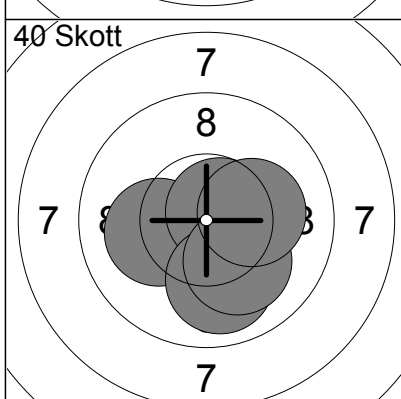
40 Skott

26:	10.1	↓
27:	10.4x	→
28:	10.6x	↘
29:	9.9	↘
30:	10.7x	↗
Serie	49.0	
Total	296.0	



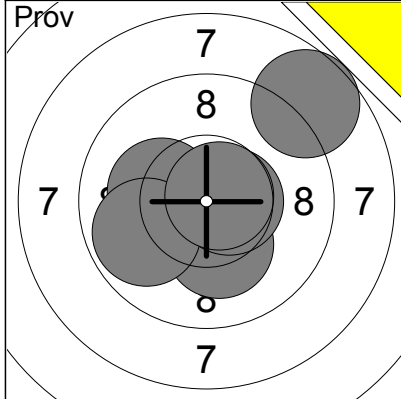
40 Skott

31:	10.1	↗
32:	10.5x	↑
33:	10.0	↗
34:	10.4x	→
35:	9.8	↑
Serie	49.0	
Total	345.0	



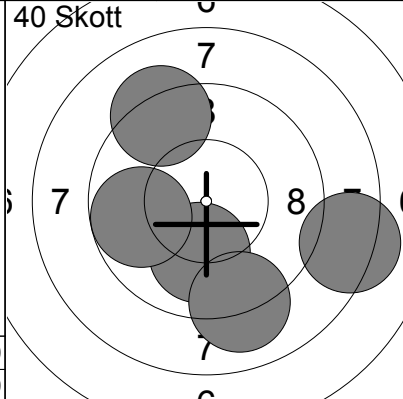
40 Skott

36:	10.1	←
37:	10.7x	→
38:	9.9	↘
39:	10.1	↘
40:	10.2x	→
Serie	49.0	
Total	394.0	



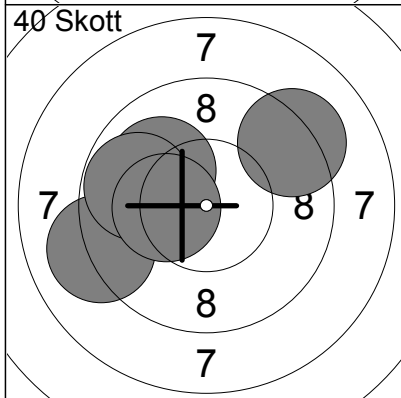
40 Skott

1:	10.2x	←
2:	10.2x	↓
3:	10.6x	→
4:	9.8	←
5:	10.7x	→
6:	8.7	↗
Serie		57.0
Total		0.0



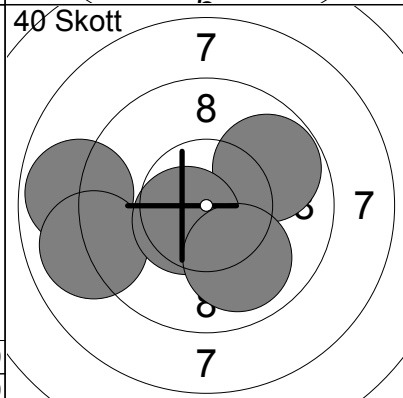
40 Skott

1:	10.0	↓
2:	9.8	←
3:	9.2	↗
4:	9.1	↓
5:	8.3	→
Serie		45.0
Total		45.0



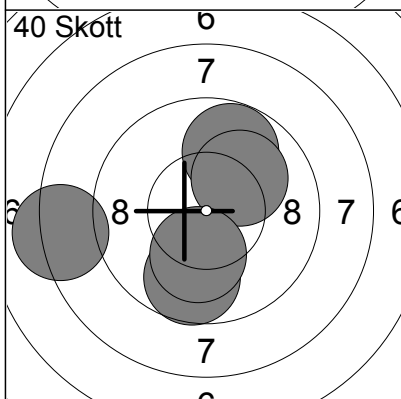
40 Skott

6:	10.0	↖
7:	9.2	↗
8:	9.1	←
9:	9.8	←
10:	10.3x	←
Serie		47.0
Total		92.0



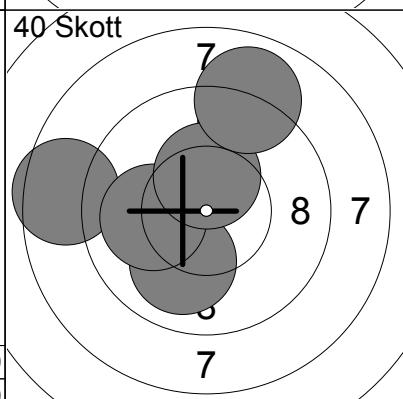
40 Skott

11:	8.9	←
12:	9.8	↗
13:	9.0	←
14:	10.5x	←
15:	10.0	↓
Serie		46.0
Total		138.0



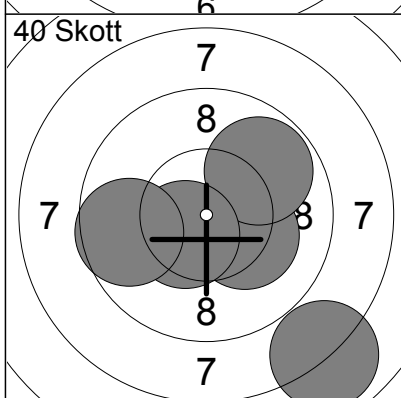
40 Skott

16:	9.7	↓
17:	9.8	↑
18:	8.2	←
19:	10.1	↗
20:	10.1	↓
Serie		46.0
Total		184.0



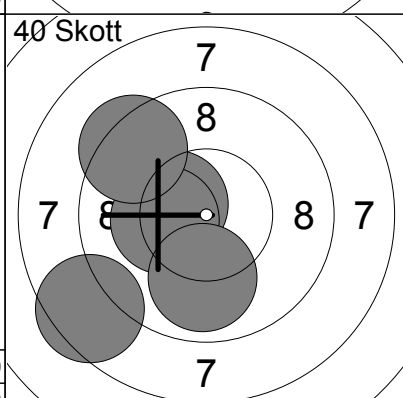
40 Skott

21:	10.0	↓
22:	8.5	←
23:	10.1	←
24:	10.4x	↑
25:	9.0	↑
Serie		47.0
Total		231.0



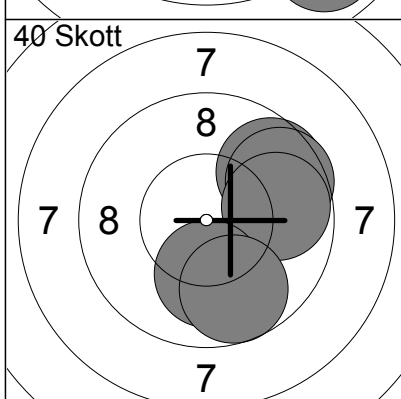
40 Skott

26:	10.2x	↘
27:	9.8	↗
28:	10.5x	←
29:	7.9	↓
30:	9.6	←
Serie		45.0
Total		276.0



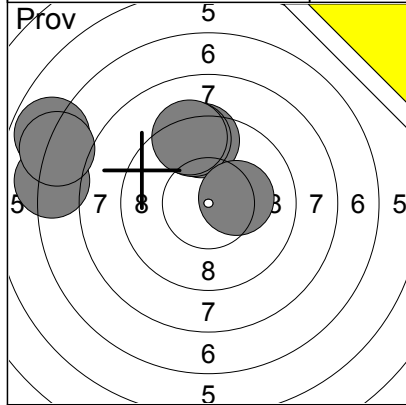
40 Skott

31:	10.4x	←
32:	10.3x	←
33:	9.9	↓
34:	9.3	↗
35:	8.5	↙
Serie		46.0
Total		322.0

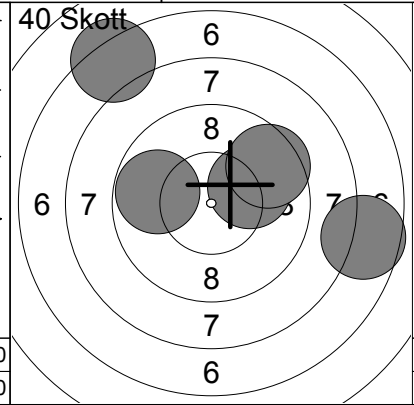


40 Skott

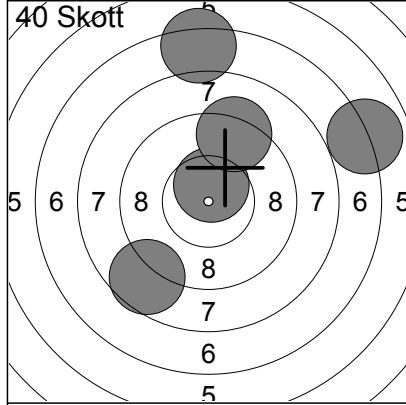
36:	9.6	↗
37:	9.6	↗
38:	9.8	→
39:	10.1	↓
40:	9.7	↓
Serie		46.0
Total		368.0



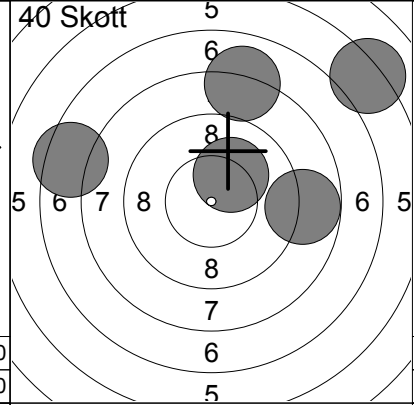
1:	7.1	←
2:	9.4	↑
3:	6.8	↑
4:	9.4	↑
5:	7.1	↑
6:	9.3	↑
7:	10.3x	→
Serie	57.0	
Total	0.0	



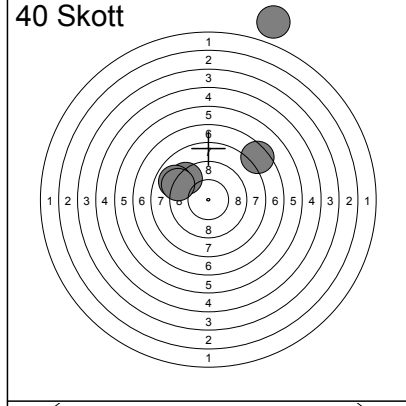
1:	7.3	↖
2:	7.6	→
3:	10.1	→
4:	9.8	←
5:	9.5	↗
Serie	42.0	
Total	42.0	



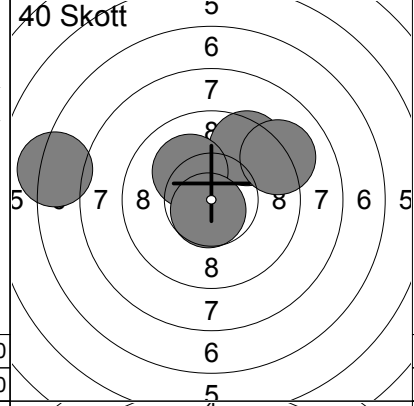
6:	10.5x	↑
7:	8.6	↙
8:	7.3	↑
9:	9.2	↑
10:	6.9	→
Serie	40.0	
Total	82.0	



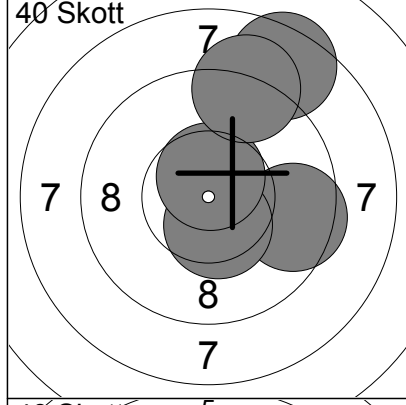
11:	6.2	↗
12:	10.2x	↗
13:	8.0	↑
14:	8.8	→
15:	7.5	←
Serie	39.0	
Total	121.0	



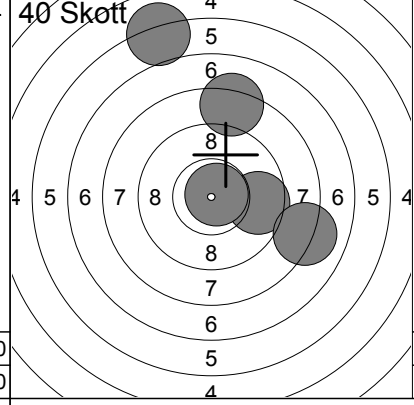
16:	9.2	↗
17:	0.0	↑
18:	8.9	↑
19:	9.1	↑
20:	7.4	↗
Serie	33.0	
Total	154.0	



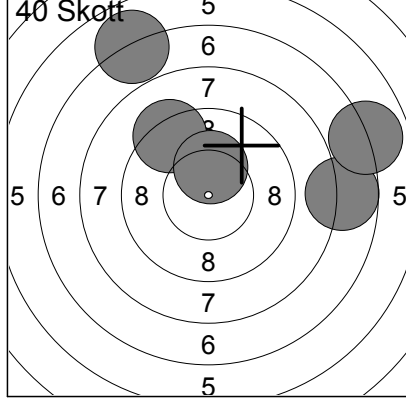
21:	7.2	←
22:	9.5	↗
23:	9.1	↗
24:	10.1	↗
25:	10.7x	↓
Serie	45.0	
Total	199.0	



26:	9.5	→
27:	10.5x	↓
28:	10.6x	↑
29:	8.5	↑
30:	9.1	↑
Serie	46.0	
Total	245.0	



31:	9.6	→
32:	6.1	↑
33:	10.8x	→
34:	8.3	↑
35:	8.1	→
Serie	41.0	
Total	286.0	

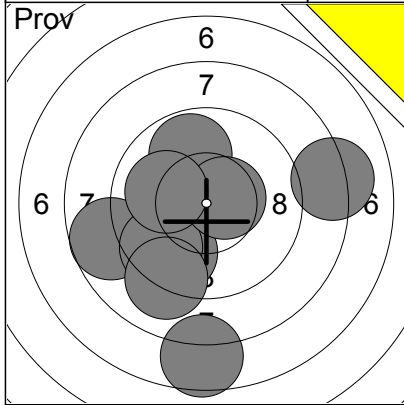


36:	7.7	→
37:	6.9	↗
38:	6.9	→
39:	9.3	↗
40:	10.3x	↑
Serie	38.0	
Total	324.0	

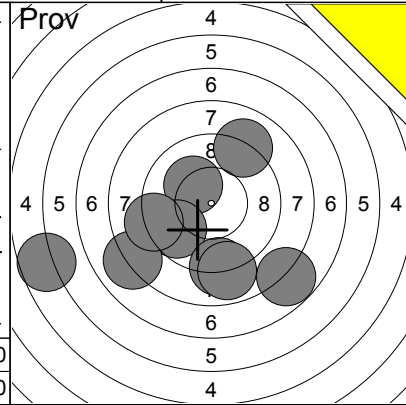
Skjutlag 2 Tavla **Denny Johansson**

10m Rönnskär Sen Vb

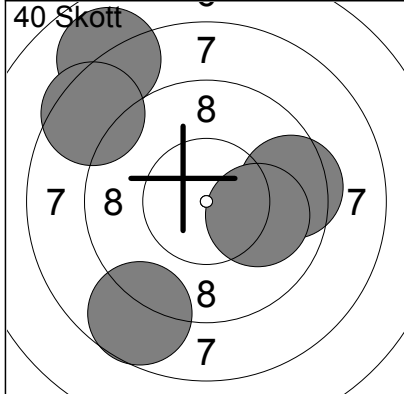
01.11.2015 Vindelnskottet 2015 Ramselefors SKF



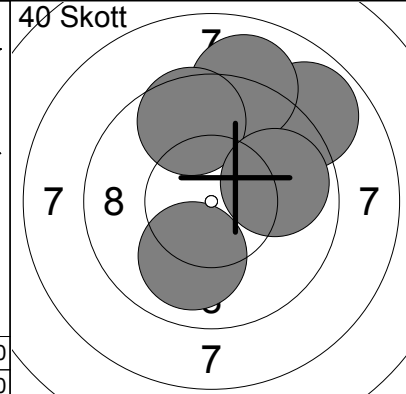
1:	10.1	↔
2:	7.6	↓
3:	9.8	↑
4:	9.7	↓
5:	8.7	↔
6:	9.6	↔
7:	10.5x	→
8:	8.1	→
9:	9.1	↓
10:	10.0	↔
Serie	89.0	
Total	0.0	



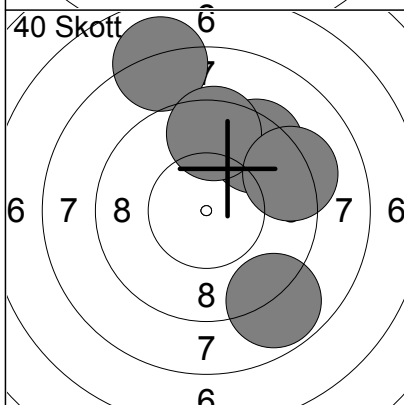
11:	10.2x	↗
12:	9.7	↙
13:	5.7	↔
14:	7.8	↓
15:	9.0	↓
16:	9.0	↑
17:	8.9	↓
18:	8.0	↙
19:	9.1	↔
Serie	74.0	
Total	0.0	



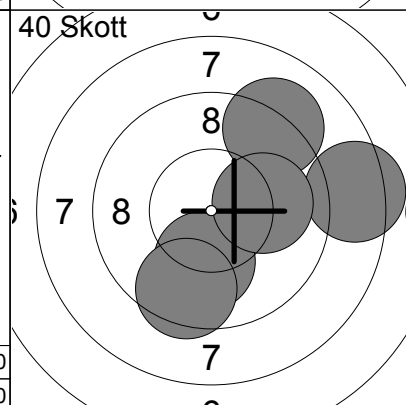
1:	8.0	↗
2:	9.5	→
3:	8.5	↗
4:	8.7	↙
5:	10.0	→
Serie	43.0	
Total	43.0	



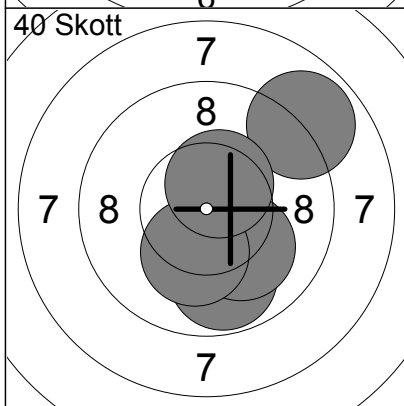
6:	10.0	↓
7:	8.9	↗
8:	9.0	↑
9:	9.6	↑
10:	9.9	→
Serie	45.0	
Total	88.0	



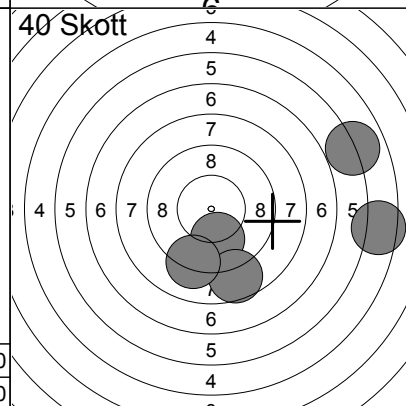
11:	9.4	↗
12:	8.8	↓
13:	8.0	↗
14:	9.5	↑
15:	9.2	→
Serie	43.0	
Total	131.0	



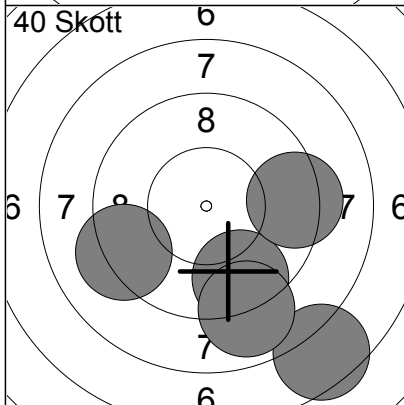
16:	8.4	→
17:	10.0	↓
18:	9.5	↓
19:	9.1	↗
20:	10.0	→
Serie	46.0	
Total	177.0	



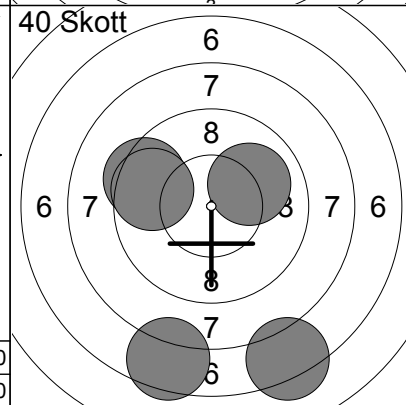
21:	9.8	↓
22:	10.1	↓
23:	8.9	↗
24:	10.2x	↓
25:	10.5x	↑
Serie	47.0	
Total	224.0	



26:	5.5	→
27:	9.9	↓
28:	8.6	↓
29:	5.9	↗
30:	9.1	↓
Serie	36.0	
Total	260.0	



31:	9.2	↔
32:	9.5	↓
33:	7.5	↓
34:	8.9	↓
35:	9.3	→
Serie	42.0	
Total	302.0	

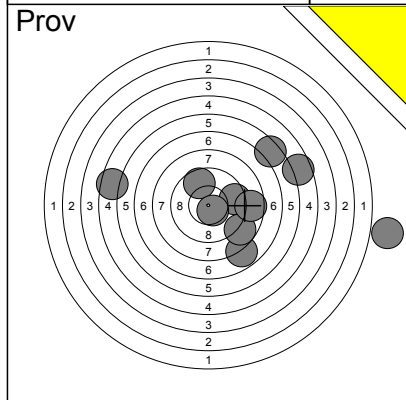


36:	10.0	↗
37:	7.3	↓
38:	9.4	↔
39:	7.5	↓
40:	9.6	↔
Serie	42.0	
Total	344.0	

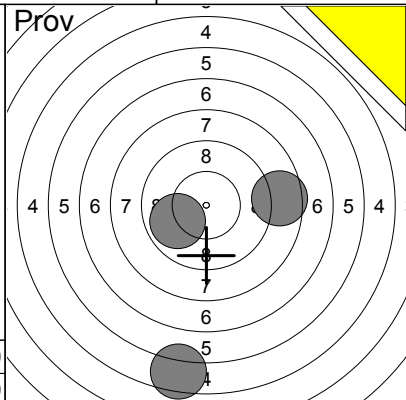
Skjutlag **2** Tavla **5** **Wolfgang Voge**

10m Ramselefors Vet Vb

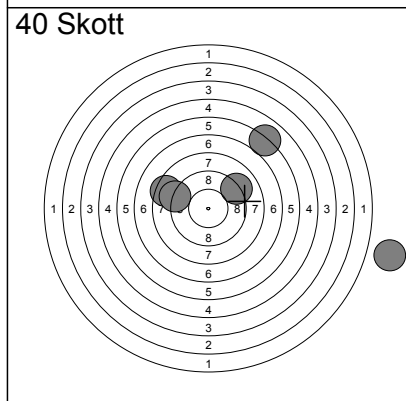
01.11.2015 Vindelnskottet 2015 Ramselefors SKF



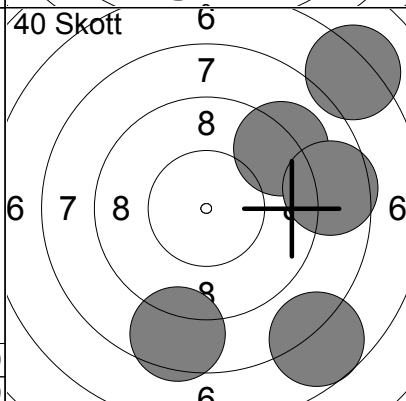
1:	9.5	→
2:	7.8	↘
3:	5.6	→
4:	9.7	↗
5:	5.5	↖
6:	6.4	↗
7:	10.6x	↘
8:	8.7	↘
9:	8.6	→
10:	0.0	→
Serie	67.0	
Total	0.0	



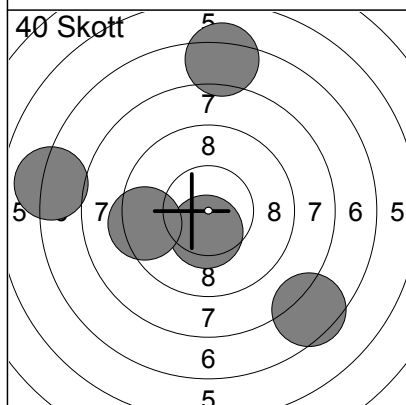
11:	8.6	→
12:	9.9	↖
13:	5.5	↓
Serie	22.0	
Total	0.0	



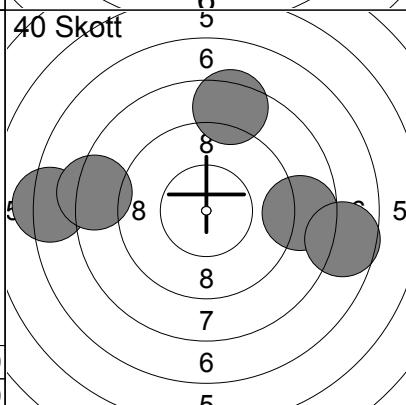
1:	6.0	↗
2:	9.1	↗
3:	8.4	↖
4:	9.0	↖
5:	0.0	→
Serie	32.0	
Total	32.0	



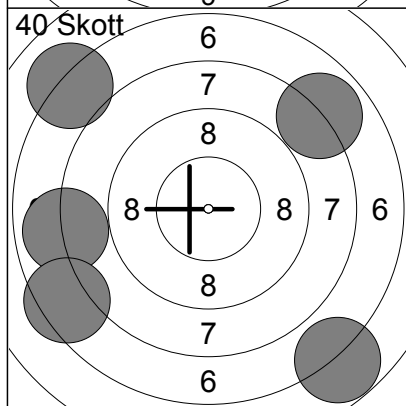
6:	8.5	↓
7:	9.1	↗
8:	8.6	→
9:	7.2	↗
10:	7.7	↘
Serie	39.0	
Total	71.0	



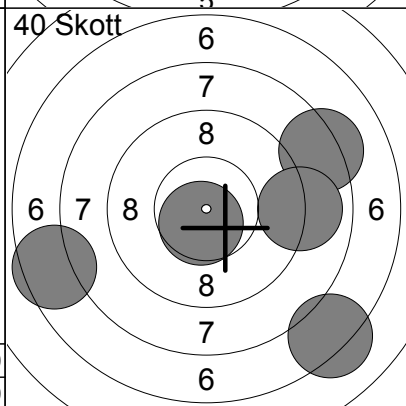
11:	7.1	←
12:	7.2	↑
13:	7.5	↘
14:	10.4x	↘
15:	9.4	←
Serie	40.0	
Total	111.0	



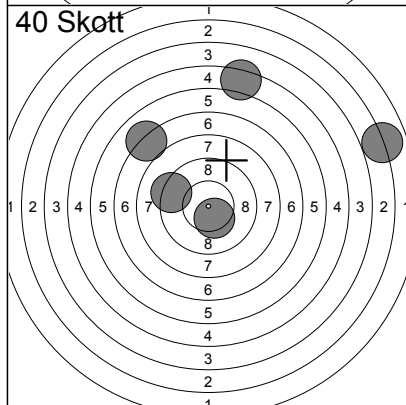
16:	7.2	←
17:	8.3	←
18:	8.4	↑
19:	8.7	→
20:	7.7	→
Serie	38.0	
Total	149.0	



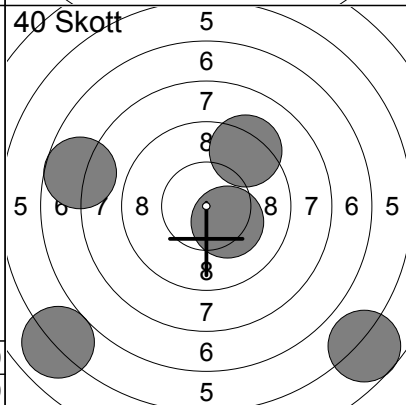
21:	7.9	←
22:	6.8	↘
23:	7.1	↗
24:	7.9	↗
25:	7.4	↖
Serie	34.0	
Total	183.0	



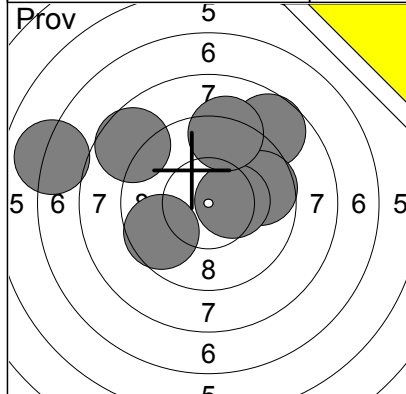
26:	10.6x	↓
27:	7.5	←
28:	7.2	↘
29:	8.2	↗
30:	9.0	→
Serie	41.0	
Total	224.0	



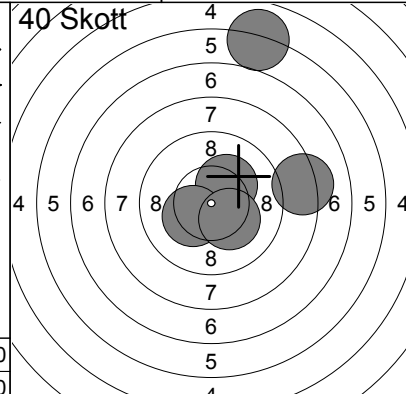
31:	2.9	→
32:	10.4x	↘
33:	7.0	↗
34:	5.3	↗
35:	9.2	↖
Serie	33.0	
Total	257.0	



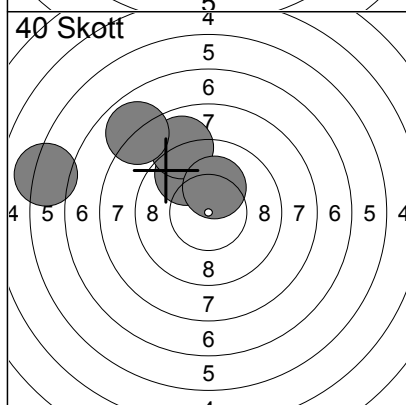
36:	10.3x	↘
37:	5.7	↘
38:	9.3	↗
39:	7.7	←
40:	6.0	↖
Serie	37.0	
Total	294.0	



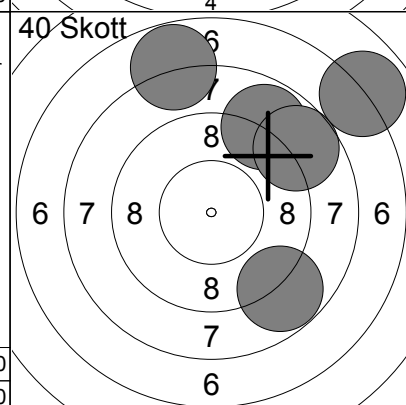
1:	8.7	↗
2:	9.7	→
3:	10.4x	→
4:	7.0	↖
5:	8.7	↗
6:	9.6	↖
7:	9.2	↑
Serie	60.0	
Total	0.0	



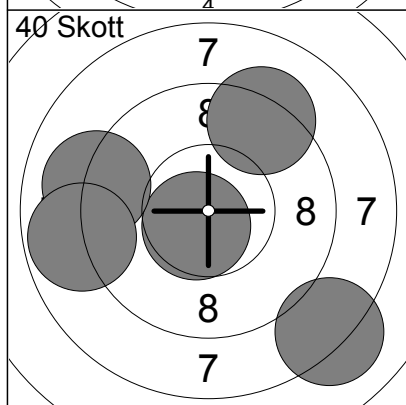
1:	8.2	→
2:	6.0	↑
3:	10.3x	↗
4:	10.3x	↖
5:	10.3x	↘
Serie	44.0	
Total	44.0	



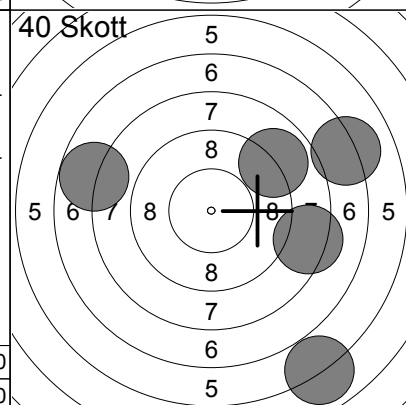
6:	9.7	↗
7:	6.2	↖
8:	9.0	↗
9:	7.9	↗
10:	10.2x	↑
Serie	41.0	
Total	85.0	



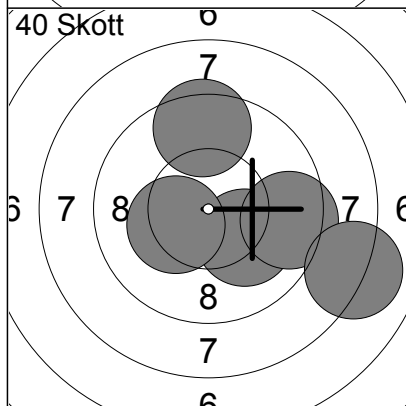
11:	8.8	↗
12:	7.8	↑
13:	8.7	↗
14:	6.9	↗
15:	8.8	↘
Serie	37.0	
Total	122.0	



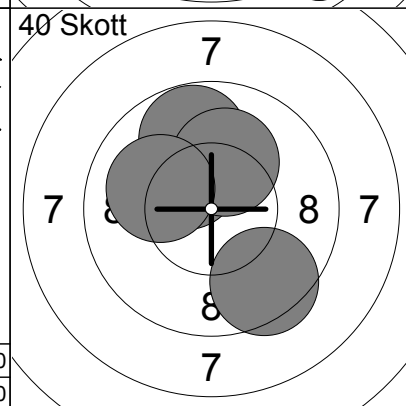
16:	9.2	↗
17:	10.6x	↖
18:	9.1	↖
19:	8.1	↘
20:	8.8	↖
Serie	44.0	
Total	166.0	



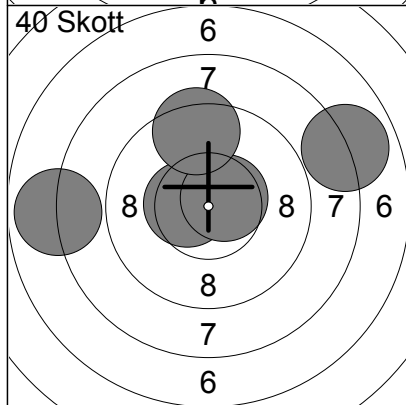
21:	7.1	→
22:	8.9	↗
23:	8.3	→
24:	7.8	↖
25:	5.9	↘
Serie	35.0	
Total	201.0	



26:	10.1	↘
27:	9.5	→
28:	10.3x	↖
29:	8.1	↗
30:	9.5	↑
Serie	46.0	
Total	247.0	

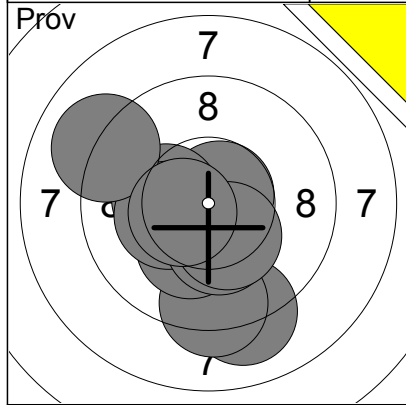


31:	10.2x	↖
32:	9.8	↑
33:	10.1	↑
34:	10.0	↖
35:	9.5	↘
Serie	48.0	
Total	295.0	

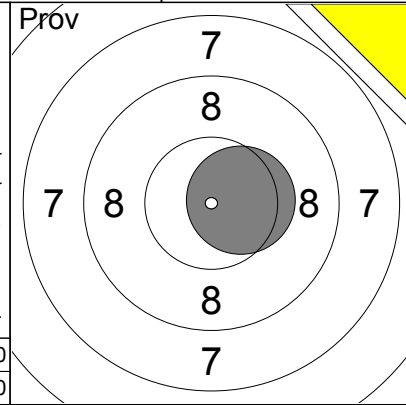


36:	10.5x	↖
37:	7.9	↖
38:	10.6x	↗
39:	7.9	↗
40:	9.4	↑
Serie	43.0	
Total	338.0	

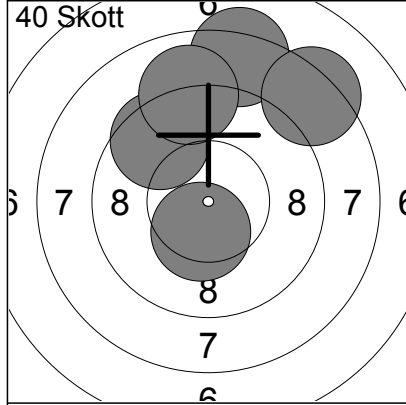
01.11.2015	Vindelnskottet 2015	Ramselefors SKF
<p>Pröv</p>	<p>1: 9.1 ↖ 2: 9.8 → 3: 7.0 ↑ 4: 8.5 → 5: 8.8 ↗ 6: 7.8 ← 7: 9.6 ← 8: 8.0 ↗ 9: 7.3 ← 10: 9.2 ↑</p> <p>Serie 81.0 Total 0.0</p>	<p>40 Skott</p> <p>1: 9.9 ↘ 2: 9.2 ↑ 3: 9.9 ← 4: 10.1 → 5: 10.4x →</p> <p>Serie 47.0 Total 47.0</p>
<p>40 Skott</p>	<p>6: 9.8 ↓ 7: 9.1 ↑ 8: 10.8x ← 9: 9.1 → 10: 6.0 ↓</p> <p>Serie 43.0 Total 90.0</p>	<p>40 Skott</p> <p>11: 8.1 ↓ 12: 7.5 ↘ 13: 8.7 ↓ 14: 8.4 ← 15: 8.8 ←</p> <p>Serie 39.0 Total 129.0</p>
<p>40 Skott</p>	<p>16: 9.2 ← 17: 8.0 ↗ 18: 8.3 ↗ 19: 8.8 ↗ 20: 8.2 ↘</p> <p>Serie 41.0 Total 170.0</p>	<p>40 Skott</p> <p>21: 8.0 → 22: 5.7 ↘ 23: 7.4 ↑ 24: 9.9 ↓ 25: 9.5 ↓</p> <p>Serie 38.0 Total 208.0</p>
<p>40 Skott</p>	<p>26: 9.8 ↖ 27: 9.9 ↖ 28: 9.0 ↑ 29: 9.4 ↑ 30: 7.3 ↑</p> <p>Serie 43.0 Total 251.0</p>	<p>40 Skott</p> <p>31: 4.1 ↑ 32: 8.6 ↘ 33: 7.3 → 34: 9.5 ↑ 35: 10.4x ↗</p> <p>Serie 38.0 Total 289.0</p>
<p>40 Skott</p>	<p>36: 6.8 → 37: 10.0 ↑ 38: 4.9 → 39: 8.6 ↗ 40: 8.9 ↗</p> <p>Serie 36.0 Total 325.0</p>	



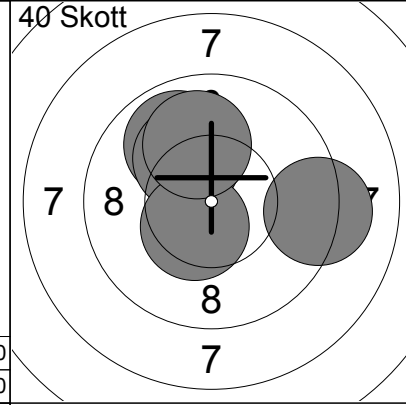
1:	9.1	↓
2:	9.3	↓
3:	10.2x	↓
4:	10.7x	→
5:	10.2x	←
6:	10.3x	←
7:	9.0	↗
8:	10.3x	↓
9:	10.3x	↓
10:	10.5x	←
Serie	97.0	
Total	0.0	



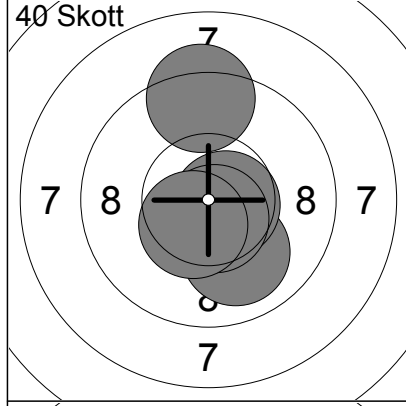
11:	10.5x	→
Serie	10.0	
Total	0.0	



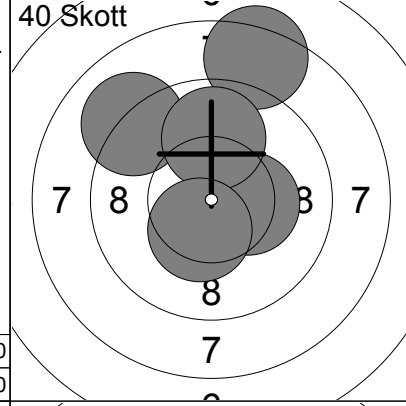
1:	10.4x	↓
2:	9.5	↗
3:	8.3	↗
4:	9.0	↗
5:	8.3	↗
Serie	44.0	
Total	44.0	



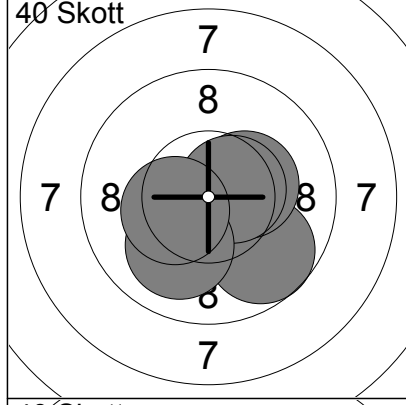
6:	9.9	↗
7:	10.1	↗
8:	9.2	→
9:	10.5x	↓
10:	10.0	↑
Serie	48.0	
Total	92.0	



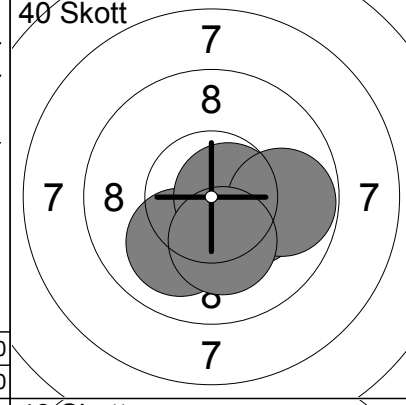
11:	10.0	↓
12:	10.6x	→
13:	10.6x	↓
14:	9.3	↗
15:	10.5x	↓
Serie	49.0	
Total	141.0	



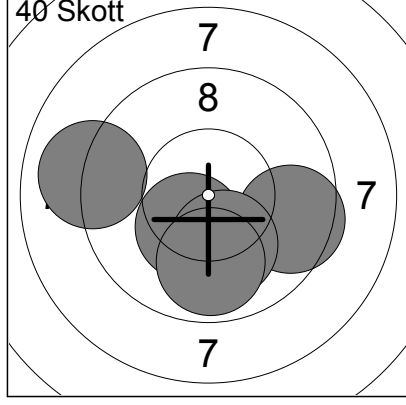
16:	9.1	↗
17:	8.4	↑
18:	10.3x	→
19:	9.9	↑
20:	10.4x	↓
Serie	46.0	
Total	187.0	



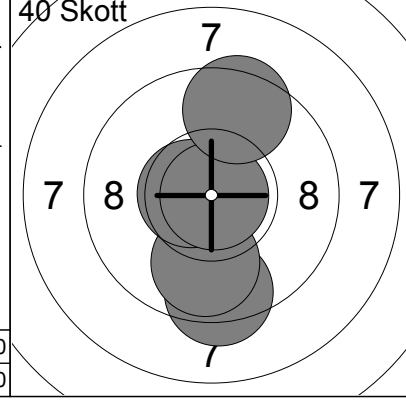
21:	9.7	↘
22:	10.3x	→
23:	10.5x	→
24:	10.0	↓
25:	10.4x	←
Serie	49.0	
Total	236.0	



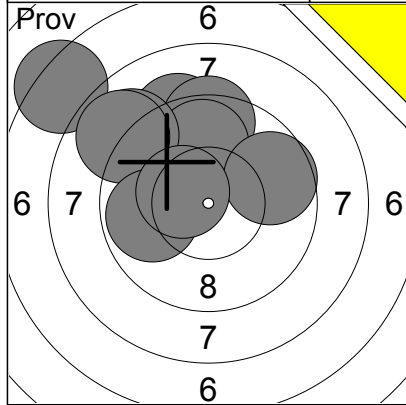
26:	10.0	↓
27:	10.3x	→
28:	10.7x	→
29:	9.8	→
30:	10.2x	↓
Serie	49.0	
Total	285.0	



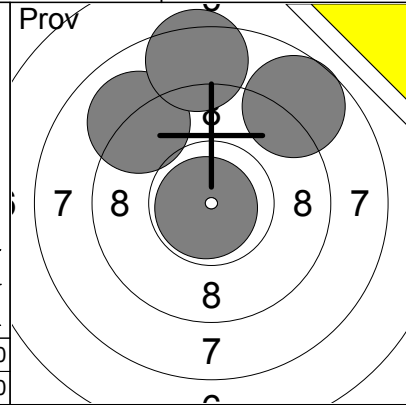
31:	10.3x	↓
32:	9.5	→
33:	10.1	↓
34:	9.9	↓
35:	9.0	←
Serie	47.0	
Total	332.0	



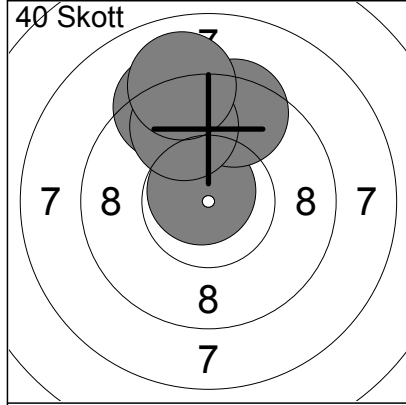
36:	9.3	↓
37:	9.8	↓
38:	10.6x	←
39:	10.9x	→
40:	9.5	↑
Serie	47.0	
Total	379.0	



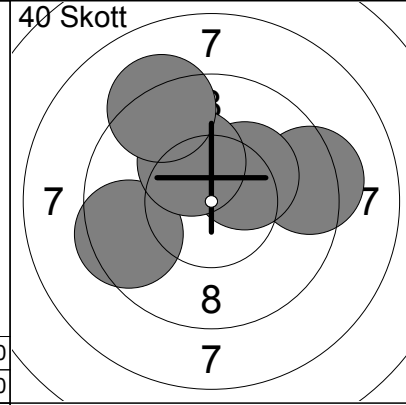
1:	9.3	↗
2:	9.2	↗
3:	7.3	↗
4:	9.4	↗
5:	9.8	↗
6:	9.0	↗
7:	8.9	↗
8:	9.7	→
9:	9.8	←
10:	10.4x	↖
Serie	88.0	
Total	0.0	



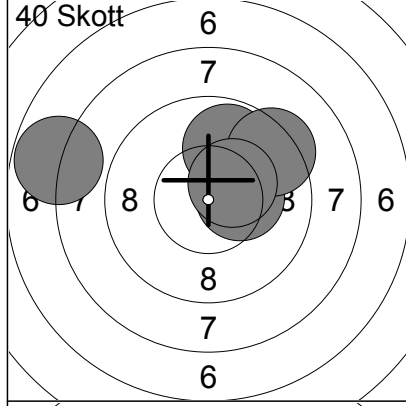
11:	8.7	↗
12:	9.0	↖
13:	8.4	↑
14:	10.8x	↙
Serie	35.0	
Total	0.0	



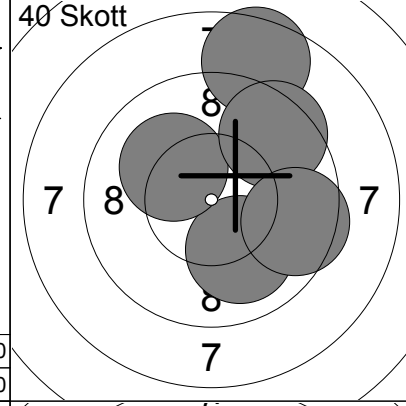
1:	10.7x	↗
2:	9.4	↗
3:	9.2	↗
4:	9.7	↗
5:	9.0	↗
Serie	46.0	
Total	46.0	



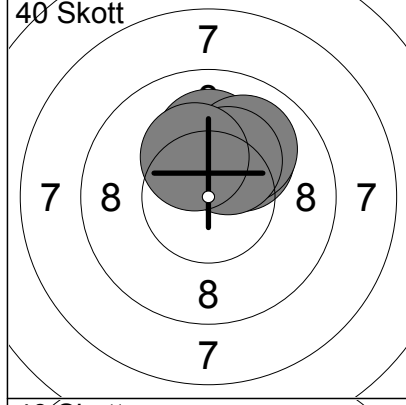
6:	9.3	→
7:	9.5	←
8:	10.3x	↗
9:	10.2x	↗
10:	9.2	↗
Serie	47.0	
Total	93.0	



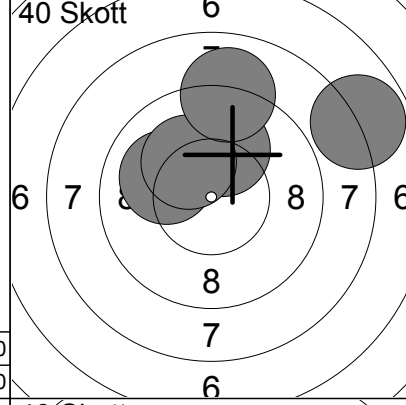
11:	9.8	↑
12:	10.3x	→
13:	9.4	↗
14:	7.8	←
15:	10.4x	↗
Serie	45.0	
Total	138.0	



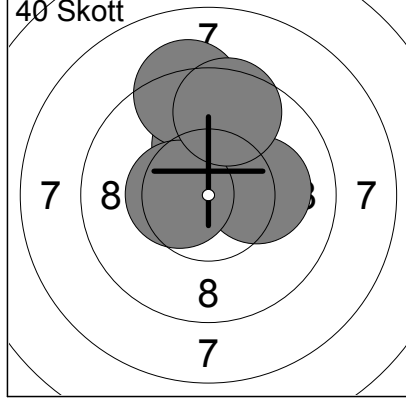
16:	10.0	↘
17:	8.6	↑
18:	10.1	↗
19:	9.5	↗
20:	9.5	→
Serie	46.0	
Total	184.0	



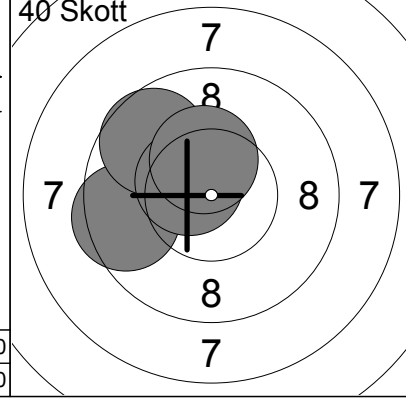
21:	10.1	↑
22:	10.1	↗
23:	10.0	↗
24:	10.3x	↗
25:	10.3x	↗
Serie	50.0	
Total	234.0	



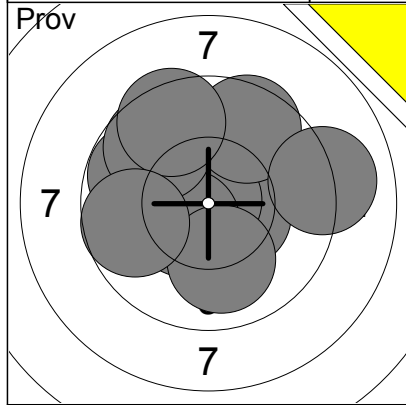
26:	10.0	↖
27:	10.0	↑
28:	10.2x	↗
29:	7.8	↗
30:	9.0	↑
Serie	46.0	
Total	280.0	



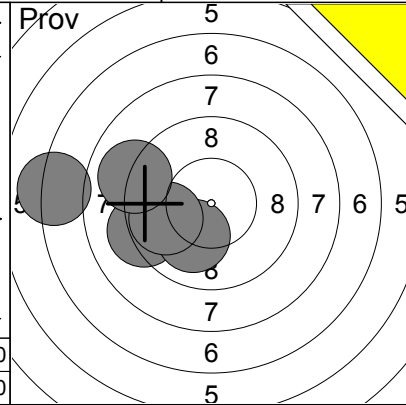
31:	10.1	↑
32:	9.2	↑
33:	10.1	→
34:	10.5x	←
35:	9.5	↑
Serie	48.0	
Total	328.0	



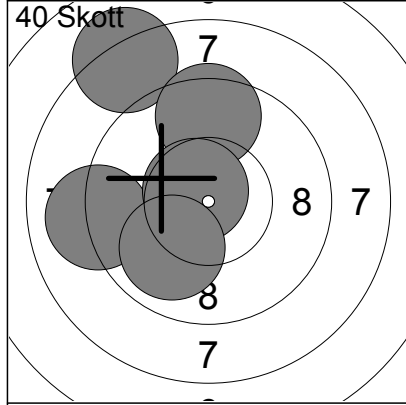
36:	10.1	←
37:	9.5	←
38:	9.7	↗
39:	10.5x	↗
40:	10.4x	↑
Serie	48.0	
Total	376.0	



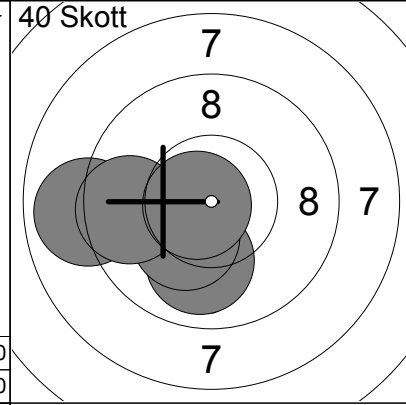
1:	10.4x	↘
2:	9.8	↗
3:	10.9x	↗
4:	9.6	↗
5:	10.5x	↘
6:	10.0	↘
7:	9.0	↗
8:	9.7	↗
9:	9.5	↗
10:	9.7	↖
Serie	94.0	
Total	0.0	



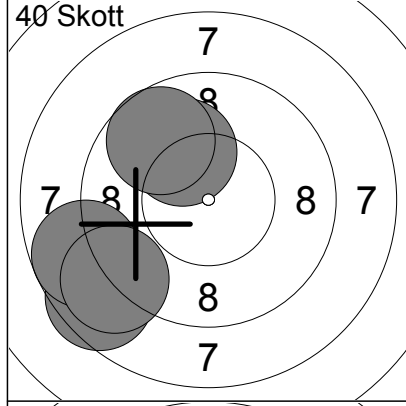
11:	9.2	↖
12:	10.1	↘
13:	7.1	↖
14:	9.8	↖
15:	9.0	↖
Serie	44.0	
Total	0.0	



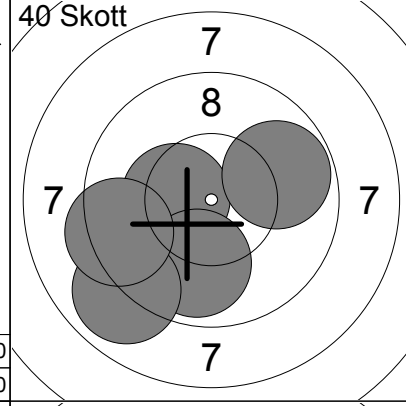
1:	9.0	↖
2:	8.2	↗
3:	9.5	↗
4:	10.7x	↗
5:	10.0	↘
Serie	46.0	
Total	46.0	



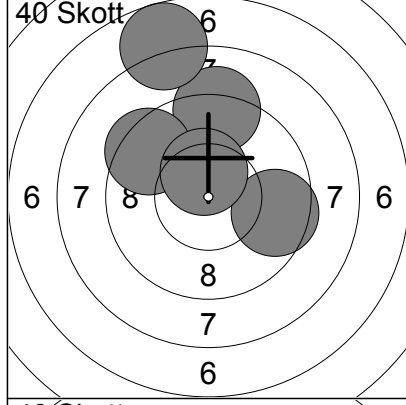
6:	10.0	↘
7:	10.2x	↘
8:	8.9	↖
9:	9.6	↖
10:	10.7x	↖
Serie	47.0	
Total	93.0	



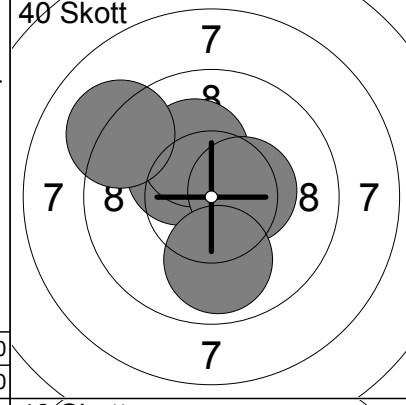
11:	8.6	↖
12:	8.7	↖
13:	10.1	↗
14:	8.9	↖
15:	9.7	↗
Serie	43.0	
Total	136.0	



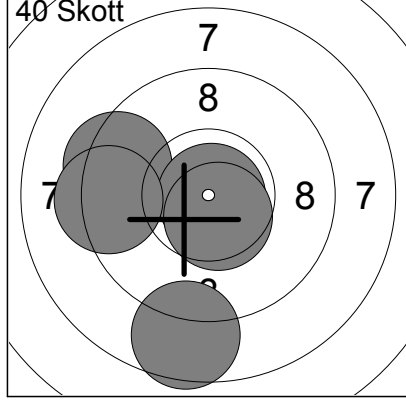
16:	10.4x	↖
17:	9.9	↘
18:	8.9	↘
19:	9.3	↖
20:	9.8	↗
Serie	45.0	
Total	181.0	



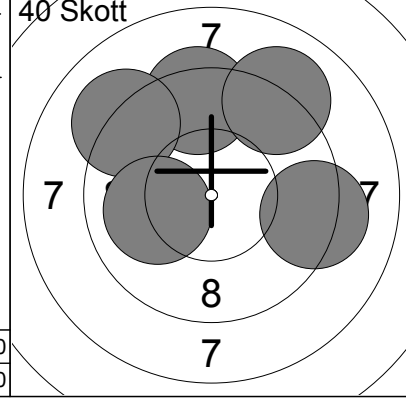
21:	9.2	↗
22:	9.4	↗
23:	9.6	↗
24:	10.4x	↗
25:	7.7	↗
Serie	44.0	
Total	225.0	



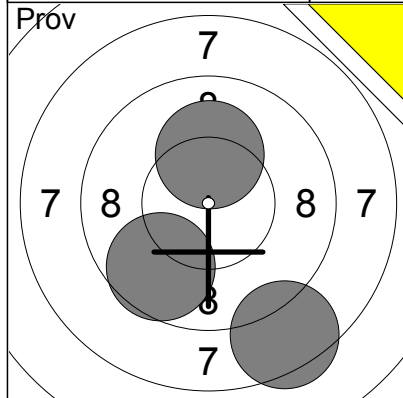
26:	10.3x	↗
27:	10.2x	↗
28:	10.4x	↗
29:	9.9	↘
30:	9.1	↗
Serie	48.0	
Total	273.0	



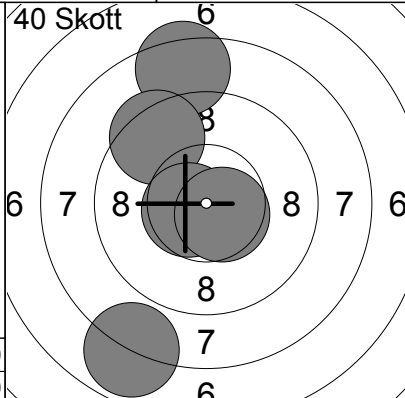
31:	9.4	↖
32:	10.9x	↘
33:	9.3	↖
34:	10.6x	↘
35:	8.6	↘
Serie	46.0	
Total	319.0	



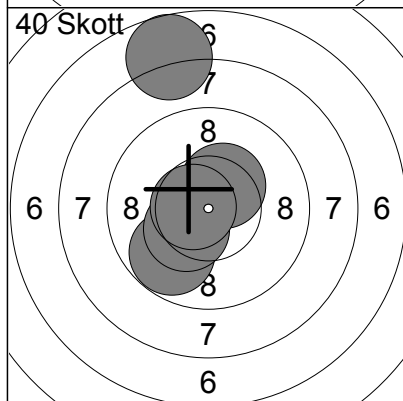
36:	9.4	↗
37:	9.2	↗
38:	9.1	↗
39:	9.1	↗
40:	10.0	↖
Serie	46.0	
Total	365.0	



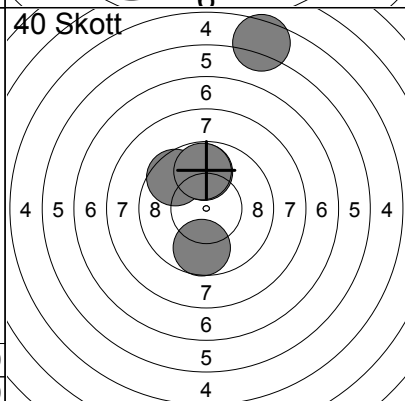
1:	10.1	↑
2:	9.6	↓
3:	8.4	↓
Serie		27.0
Total		0.0



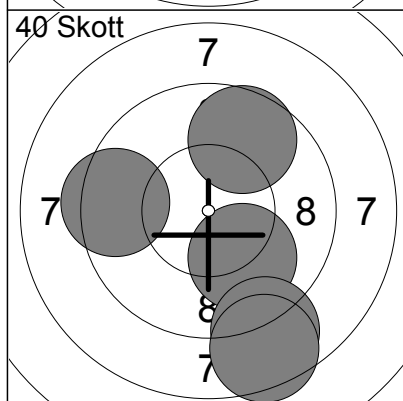
1:	8.4	↑
2:	7.9	↓
3:	9.4	↗
4:	10.6x	←
5:	10.6x	↘
Serie		44.0
Total		44.0



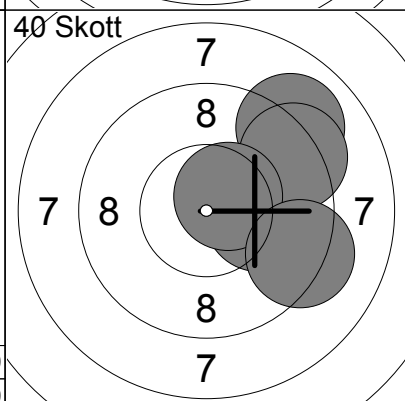
6:	9.8	↘
7:	7.7	↑
8:	10.3x	↘
9:	10.4x	↗
10:	10.6x	←
Serie		46.0
Total		90.0



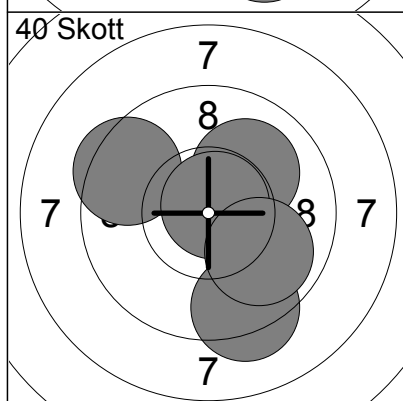
11:	9.8	↑
12:	9.6	↗
13:	5.5	↑
14:	9.8	↑
15:	9.7	↓
Serie		41.0
Total		131.0



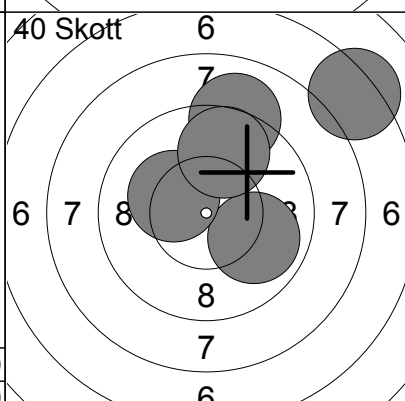
16:	10.0	↘
17:	8.8	↘
18:	8.5	↘
19:	9.4	←
20:	9.7	↑
Serie		44.0
Total		175.0



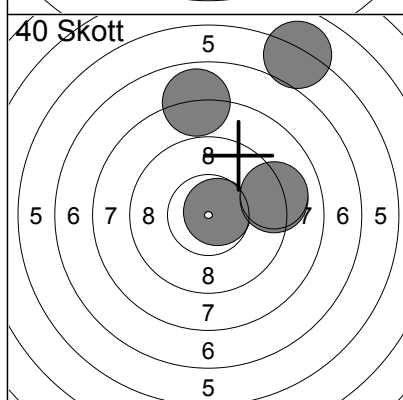
21:	10.1	→
22:	9.0	↗
23:	9.3	↗
24:	10.5x	↗
25:	9.2	↘
Serie		47.0
Total		222.0



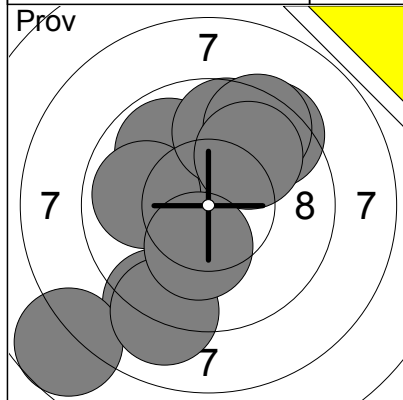
26:	9.5	↖
27:	10.1	↗
28:	9.3	↘
29:	10.8x	↗
30:	9.9	↘
Serie		47.0
Total		269.0



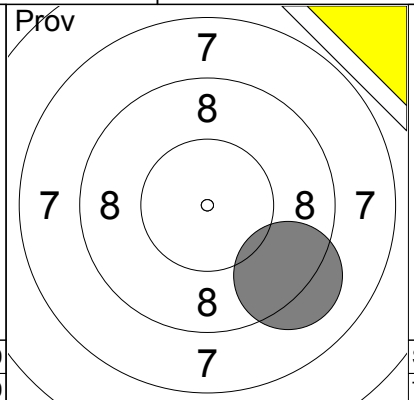
31:	7.3	↗
32:	9.0	↑
33:	9.9	→
34:	10.2x	↖
35:	9.7	↑
Serie		44.0
Total		313.0



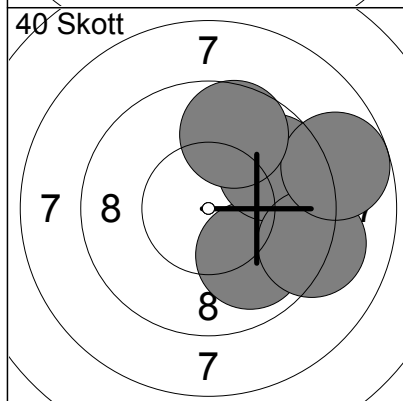
36:	10.7x	→
37:	6.0	↑
38:	9.1	→
39:	7.9	↑
40:	9.1	→
Serie		41.0
Total		354.0



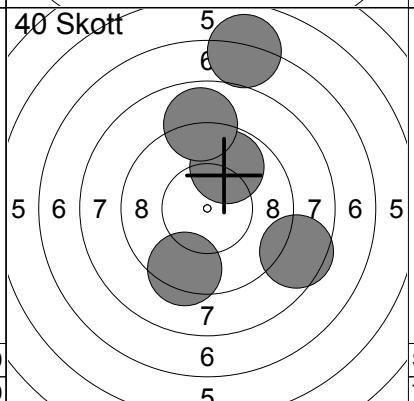
1:	9.1	↘
2:	9.4	↗
3:	9.9	↗
4:	9.9	←
5:	9.7	↗
6:	9.4	↗
7:	7.7	↘
8:	9.1	↘
9:	9.9	↗
10:	10.3x	↓
Serie	89.0	
Total	0.0	



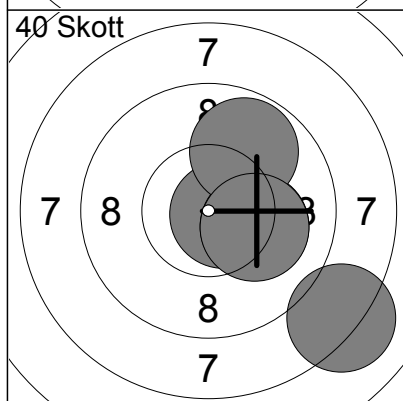
11:	9.2	↘
Serie	9.0	
Total	0.0	



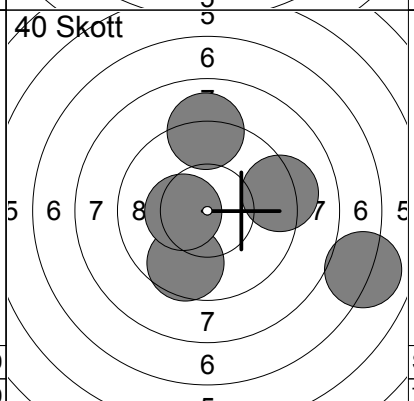
1:	9.9	↘
2:	9.7	↗
3:	9.2	↘
4:	8.7	→
5:	9.7	↗
Serie	44.0	
Total	44.0	



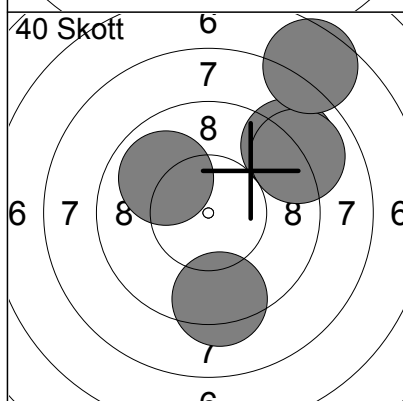
6:	8.5	→
7:	9.4	↘
8:	7.0	↗
9:	9.8	↗
10:	8.9	↗
Serie	41.0	
Total	85.0	



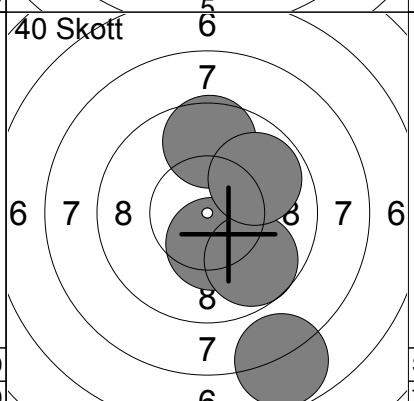
11:	10.7x	→
12:	10.1	→
13:	9.8	↗
14:	10.1	→
15:	8.1	↘
Serie	47.0	
Total	132.0	



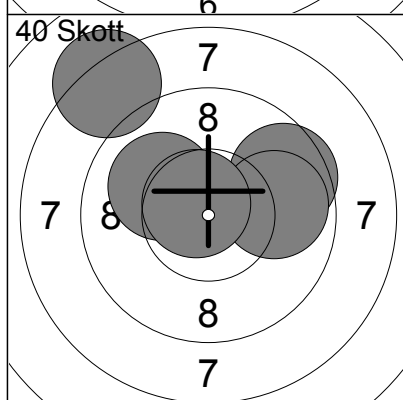
16:	9.1	↗
17:	9.2	→
18:	7.0	→
19:	9.6	↘
20:	10.4x	←
Serie	44.0	
Total	176.0	



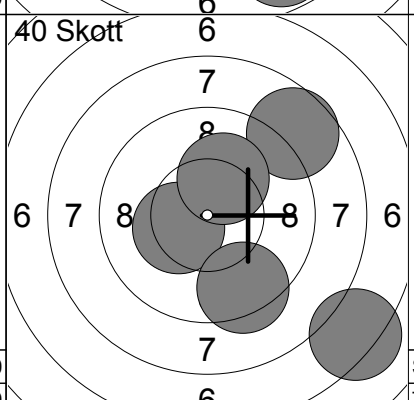
21:	9.0	↗
22:	9.0	↗
23:	7.6	↗
24:	9.9	↗
25:	9.3	↘
Serie	43.0	
Total	219.0	



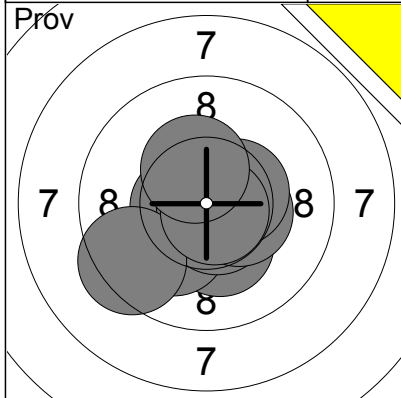
26:	10.4x	↘
27:	9.7	↘
28:	9.6	↗
29:	7.8	↘
30:	9.8	↗
Serie	44.0	
Total	263.0	



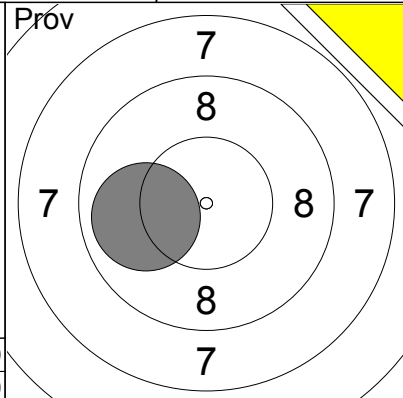
31:	8.2	↗
32:	10.1	↗
33:	9.6	→
34:	9.8	→
35:	10.7x	↗
Serie	46.0	
Total	309.0	



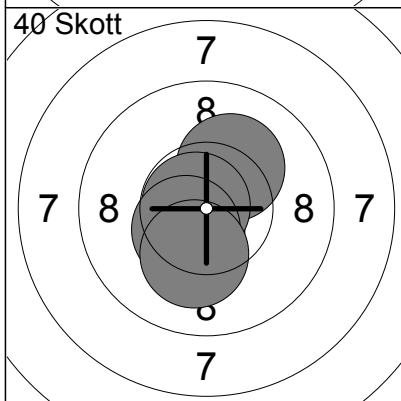
36:	8.6	↗
37:	7.3	↘
38:	10.3x	←
39:	10.2x	↗
40:	9.4	↘
Serie	44.0	
Total	353.0	



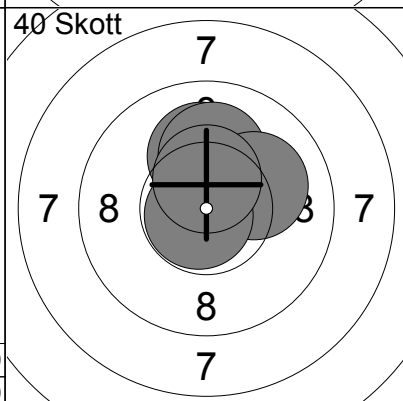
1:	10.3x	↘
2:	10.1	↘
3:	10.6x	←
4:	10.6x	↘
5:	10.4x	↘
6:	10.9x	↘
7:	9.4	↘
8:	10.4x	→
9:	10.8x	↘
10:	10.4x	↑
Serie	99.0	
Total	0.0	



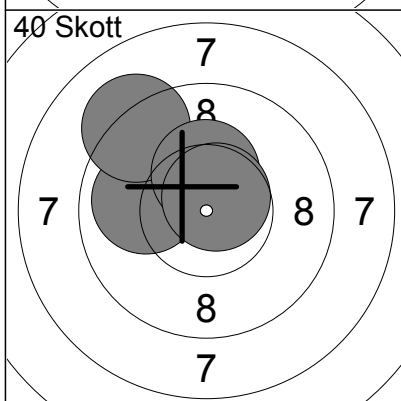
11:	9.9	←
Serie	9.0	
Total	0.0	



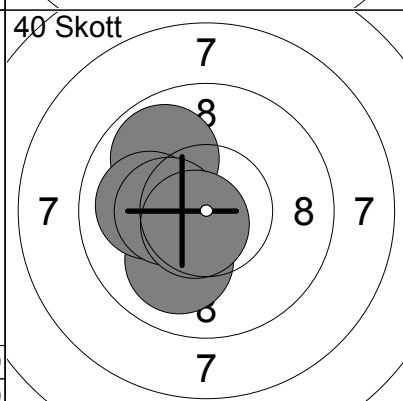
1:	10.2x	↗
2:	10.5x	↘
3:	10.8x	←
4:	10.5x	↘
5:	10.2x	↘
Serie	50.0	
Total	50.0	



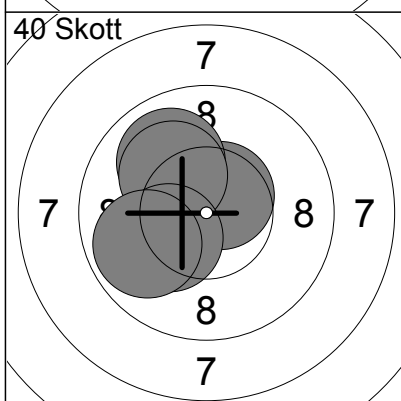
6:	10.1	↑
7:	10.1	↑
8:	10.1	→
9:	10.8x	↙
10:	10.5x	↑
Serie	50.0	
Total	100.0	



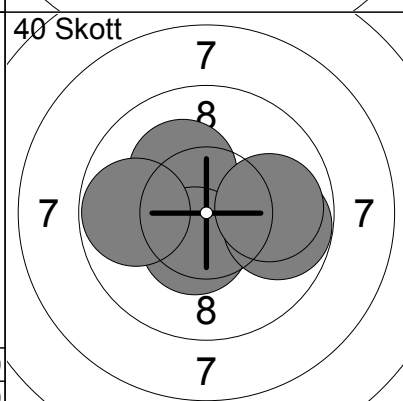
11:	10.2x	↗
12:	9.9	←
13:	9.2	↗
14:	10.3x	↑
15:	10.7x	↗
Serie	48.0	
Total	148.0	



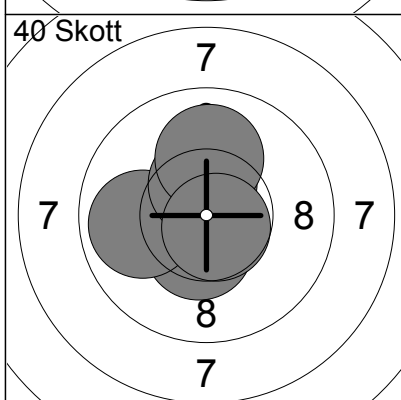
16:	9.9	↗
17:	10.0	↘
18:	10.0	←
19:	10.3x	←
20:	10.7x	↘
Serie	49.0	
Total	197.0	



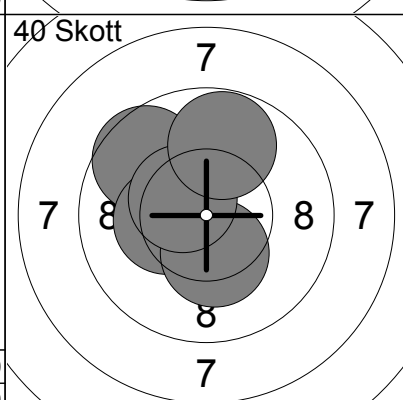
21:	10.6x	↗
22:	9.9	↗
23:	10.1	↗
24:	10.2x	↙
25:	9.9	↙
Serie	48.0	
Total	245.0	



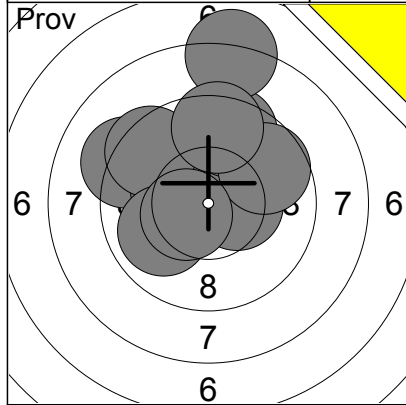
26:	10.2x	↗
27:	10.5x	↘
28:	9.8	←
29:	9.8	→
30:	9.9	→
Serie	47.0	
Total	292.0	



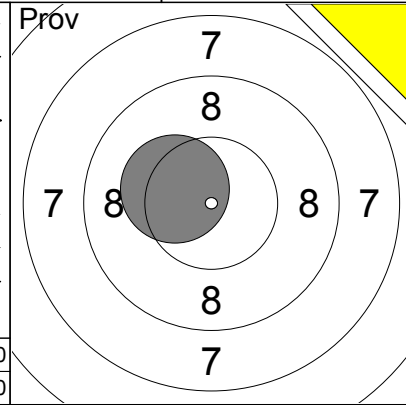
31:	10.4x	↘
32:	9.9	←
33:	10.4x	↑
34:	10.0	↑
35:	10.7x	↘
Serie	49.0	
Total	341.0	



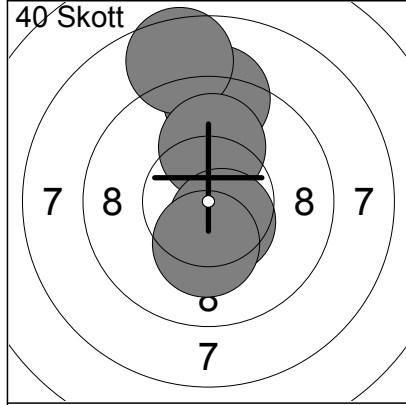
36:	9.6	↗
37:	10.3x	←
38:	10.3x	↘
39:	10.5x	↗
40:	9.8	↑
Serie	48.0	
Total	389.0	



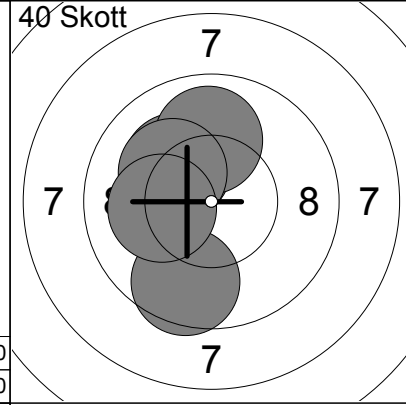
1:	9.2	↖
2:	10.3x	↖
3:	9.5	↗
4:	10.4x	→
5:	9.5	↑
6:	8.1	↑
7:	9.9	↖
8:	9.7	↗
9:	10.5x	↖
10:	9.5	↑
Serie	92.0	
Total	0.0	



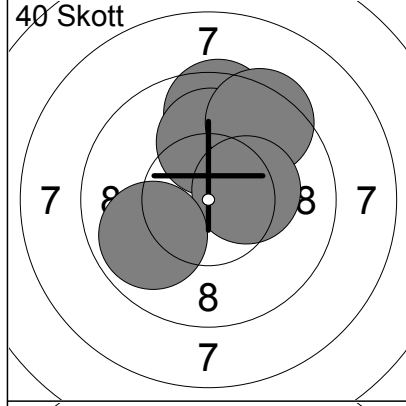
11:	10.3x	↖
Serie	10.0	
Total	0.0	



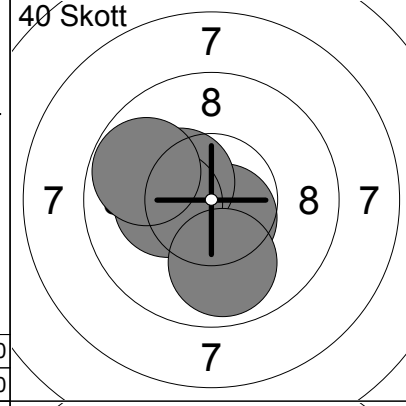
1:	9.2	↑
2:	8.6	↑
3:	10.0	↑
4:	10.5x	↘
5:	10.2x	↓
Serie	47.0	
Total	47.0	



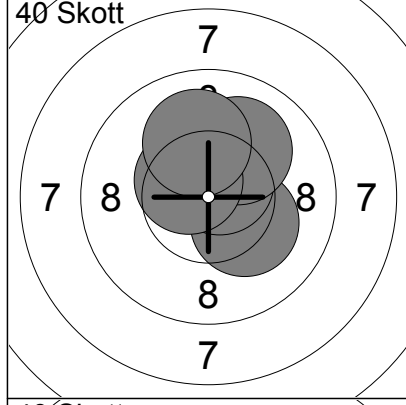
6:	9.6	↓
7:	10.1	↗
8:	9.9	↑
9:	10.2x	↗
10:	10.1	↖
Serie	48.0	
Total	95.0	



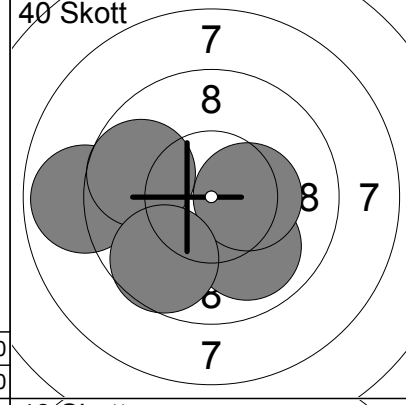
11:	9.5	↑
12:	10.0	↑
13:	9.4	↗
14:	10.3x	→
15:	9.9	↖
Serie	47.0	
Total	142.0	



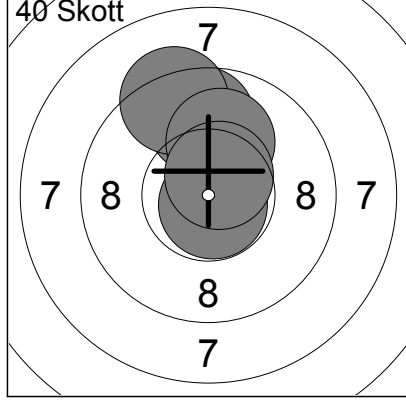
16:	10.6x	↘
17:	10.4x	↗
18:	10.2x	↖
19:	9.9	↘
20:	9.8	↗
Serie	48.0	
Total	190.0	



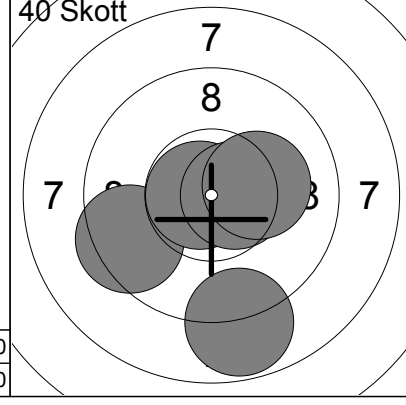
21:	10.2x	↘
22:	10.6x	↗
23:	10.0	↗
24:	10.5x	↖
25:	10.0	↑
Serie	50.0	
Total	240.0	



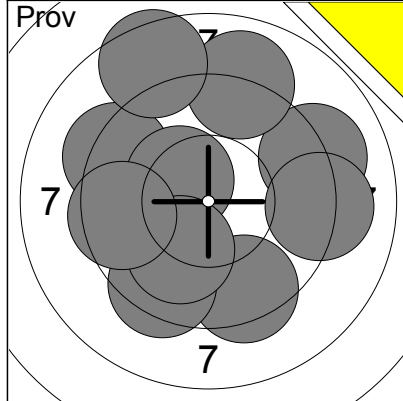
26:	8.9	↖
27:	10.0	↘
28:	10.4x	→
29:	9.7	↖
30:	9.7	↘
Serie	46.0	
Total	286.0	



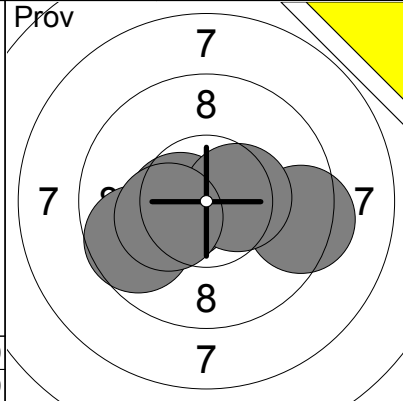
31:	9.7	↑
32:	9.3	↖
33:	10.1	↑
34:	10.8x	↘
35:	10.6x	↗
Serie	48.0	
Total	334.0	



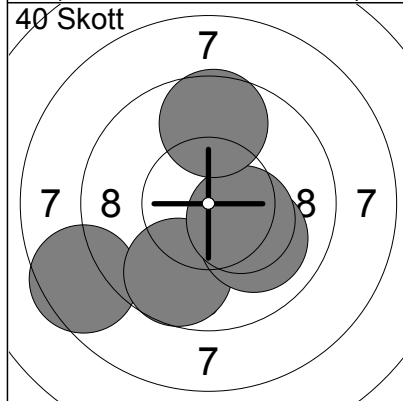
36:	9.4	↖
37:	10.8x	↖
38:	10.6x	→
39:	8.8	↓
40:	10.2x	→
Serie	47.0	
Total	381.0	



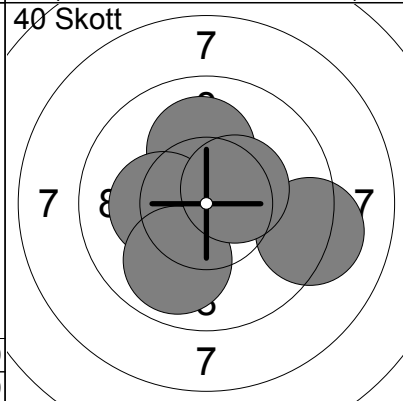
1:	9.1	→
2:	9.3	↗
3:	9.4	↓
4:	9.1	→
5:	9.4	↓
6:	9.0	↗
7:	8.5	↗
8:	10.4x	↗
9:	10.0	↓
10:	9.5	←
Serie		91.0
Total		0.0



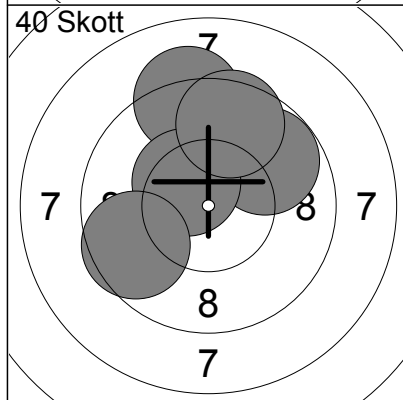
11:	9.4	→
12:	9.7	↙
13:	10.5x	←
14:	10.4x	→
15:	10.3x	←
Serie		48.0
Total		0.0



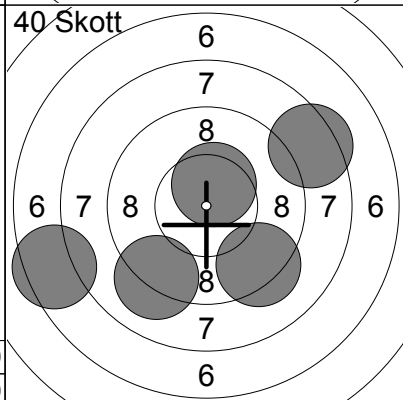
1:	8.5	↙
2:	9.7	↓
3:	10.0	↘
4:	10.4x	↘
5:	9.6	↑
Serie		46.0
Total		46.0



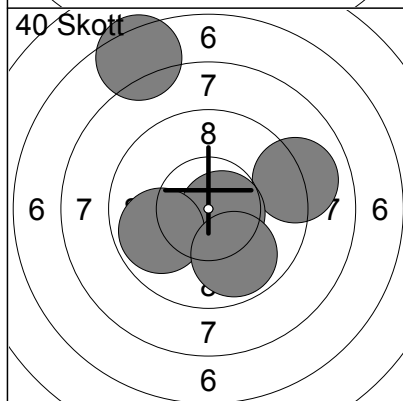
6:	10.1	↑
7:	10.2x	←
8:	9.9	↘
9:	9.2	→
10:	10.4x	↗
Serie		48.0
Total		94.0



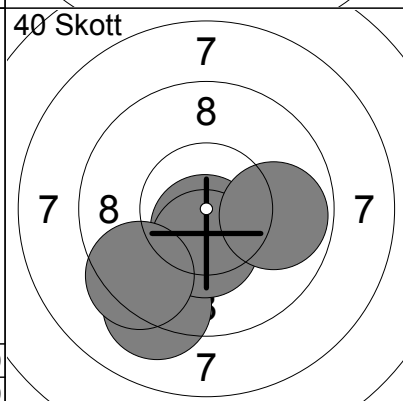
11:	9.8	↗
12:	9.2	↗
13:	10.4x	↗
14:	9.6	↙
15:	9.6	↑
Serie		46.0
Total		140.0



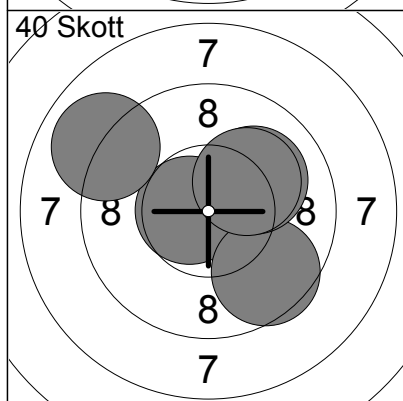
16:	10.5x	↑
17:	7.5	←
18:	9.1	↘
19:	8.4	↗
20:	9.3	↘
Serie		43.0
Total		183.0



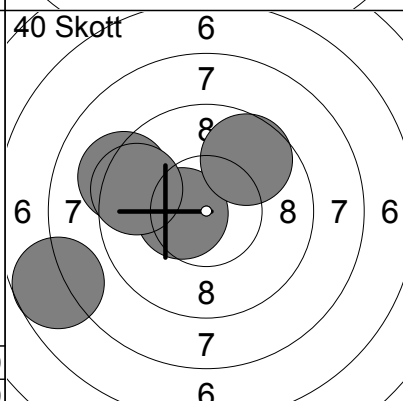
21:	9.0	→
22:	7.4	↗
23:	10.7x	→
24:	9.9	↙
25:	9.8	↘
Serie		44.0
Total		227.0



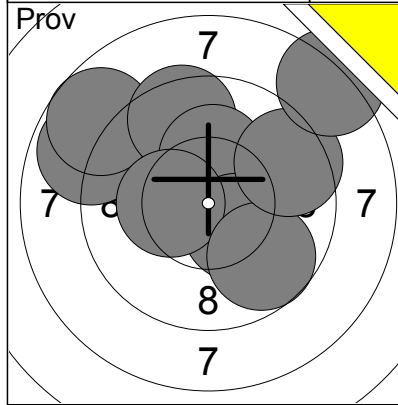
26:	9.2	↘
27:	10.6x	↓
28:	10.4x	↓
29:	9.4	↙
30:	9.8	→
Serie		47.0
Total		274.0



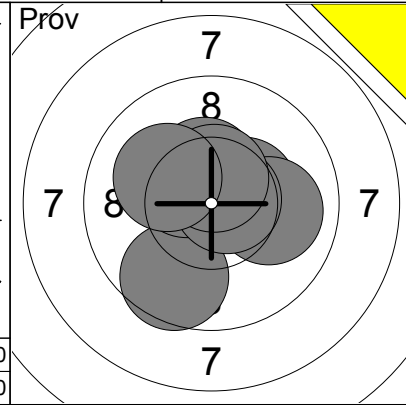
31:	10.6x	←
32:	9.6	↘
33:	9.0	↗
34:	10.0	↗
35:	10.2x	↗
Serie		48.0
Total		322.0



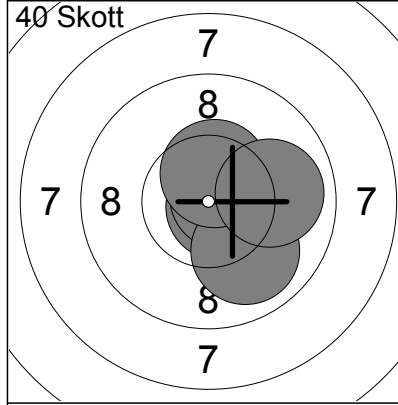
36:	10.5x	←
37:	9.2	↙
38:	9.7	↗
39:	9.5	↙
40:	7.7	↙
Serie		44.0
Total		366.0



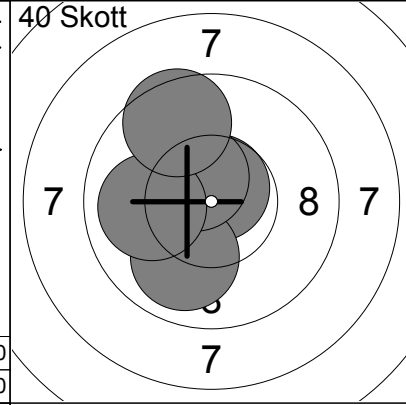
1:	8.8	↖
2:	8.7	↗
3:	9.5	↗
4:	10.4x	↗
5:	10.2x	↗
6:	10.3x	↘
7:	10.3x	↖
8:	9.7	↘
9:	9.5	↗
10:	8.1	↗
Serie	91.0	
Total	0.0	



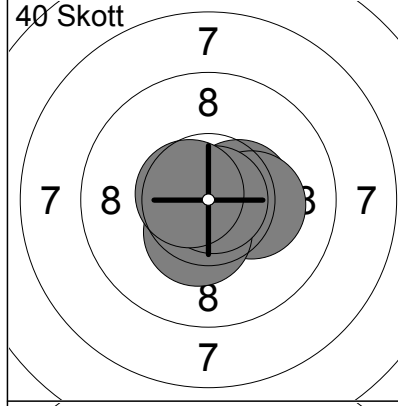
11:	9.6	↘
12:	10.4x	→
13:	10.4x	↗
14:	10.0	→
15:	10.4x	↗
16:	10.7x	→
17:	10.5x	↗
18:	10.1	↖
Serie	79.0	
Total	0.0	



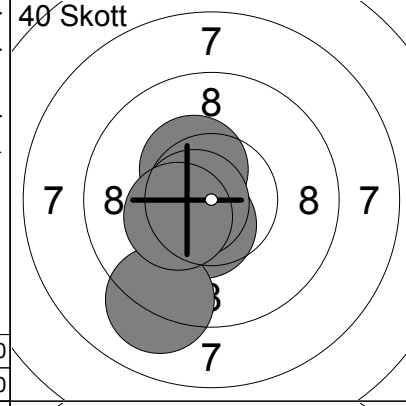
1:	10.7x	↘
2:	10.7x	→
3:	9.9	↘
4:	10.5x	↗
5:	9.9	→
Serie	48.0	
Total	48.0	



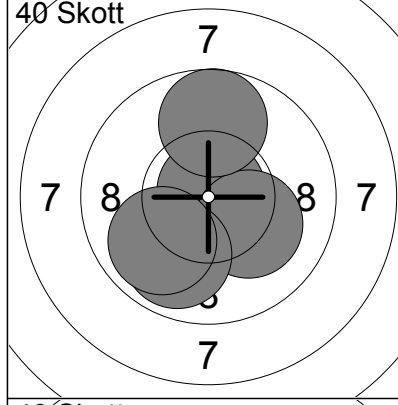
6:	10.7x	↗
7:	9.9	↘
8:	10.5x	↗
9:	10.0	↖
10:	9.5	↗
Serie	48.0	
Total	96.0	



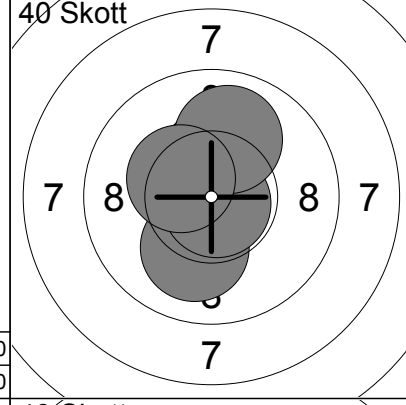
11:	10.4x	→
12:	10.2x	→
13:	10.4x	↘
14:	10.9x	→
15:	10.6x	↖
Serie	50.0	
Total	146.0	



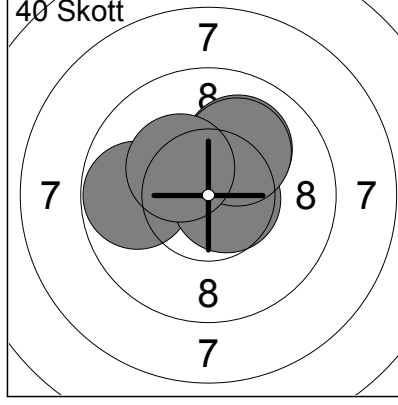
16:	10.4x	↗
17:	10.5x	↘
18:	10.7x	↖
19:	9.1	↘
20:	10.3x	↖
Serie	49.0	
Total	195.0	



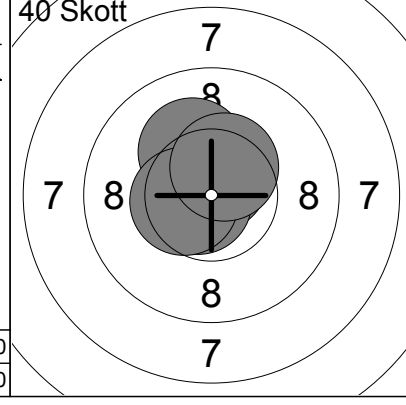
21:	10.8x	↗
22:	10.2x	↘
23:	9.9	↘
24:	9.7	↗
25:	9.9	↖
Serie	47.0	
Total	242.0	



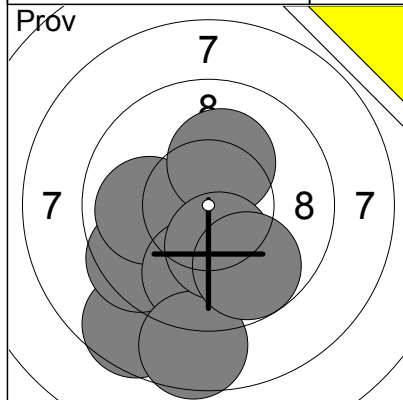
26:	10.1	↘
27:	10.4x	↗
28:	10.8x	↘
29:	10.0	↗
30:	10.4x	↖
Serie	50.0	
Total	292.0	



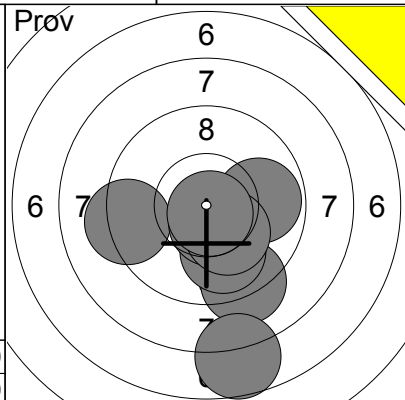
31:	10.0	↗
32:	9.8	↖
33:	10.6x	→
34:	10.1	↗
35:	10.3x	↗
Serie	49.0	
Total	341.0	



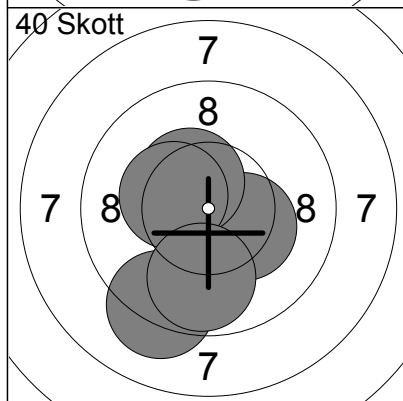
36:	10.7x	↗
37:	10.7x	↖
38:	10.2x	↗
39:	10.5x	↖
40:	10.4x	↗
Serie	50.0	
Total	391.0	



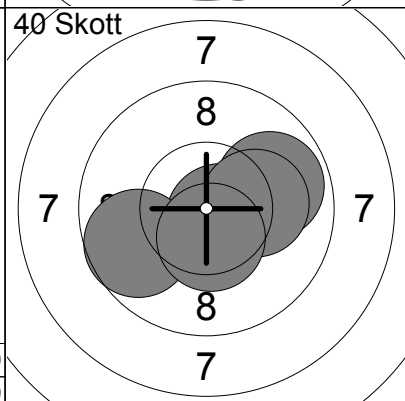
1:	10.1	↓
2:	9.6	↓
3:	8.6	↓
4:	9.5	↓
5:	10.0	←
6:	9.8	↓
7:	10.2x	↑
8:	8.6	↓
9:	10.2x	↓
10:	9.8	↓
Serie		92.0
Total		0.0



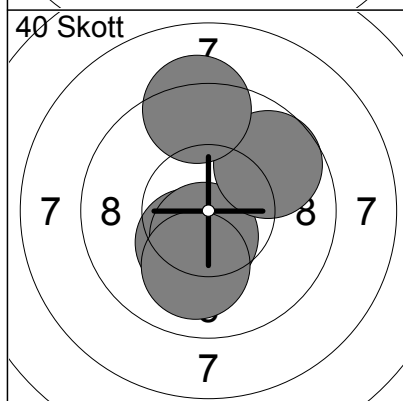
11:	9.3	←
12:	9.2	↓
13:	7.7	↓
14:	9.9	→
15:	9.9	↓
16:	10.6x	↓
17:	10.2x	↓
18:	10.8x	↓
Serie		73.0
Total		0.0



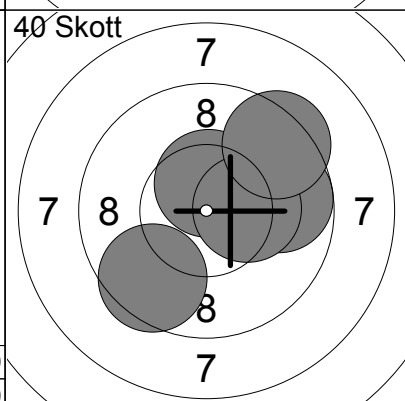
1:	10.3x	→
2:	10.4x	↑
3:	10.3x	↑
4:	9.2	↓
5:	9.8	↓
Serie		48.0
Total		48.0



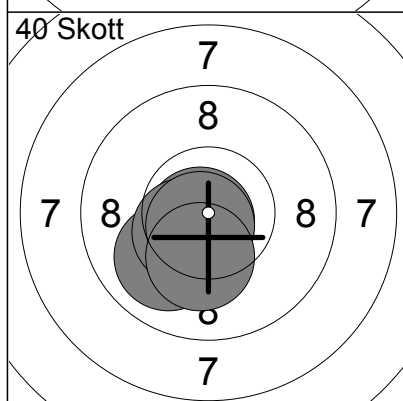
6:	10.7x	→
7:	9.7	←
8:	9.8	→
9:	10.1	→
10:	10.5x	↓
Serie		48.0
Total		96.0



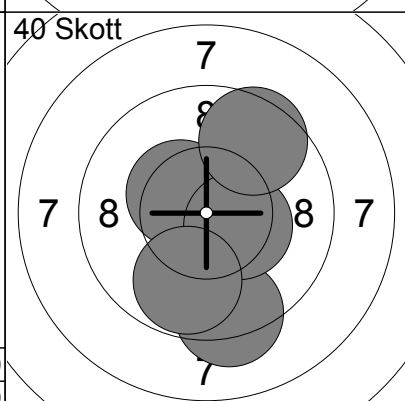
11:	10.3x	↓
12:	10.5x	↓
13:	9.7	→
14:	10.0	↓
15:	9.3	↑
Serie		48.0
Total		144.0



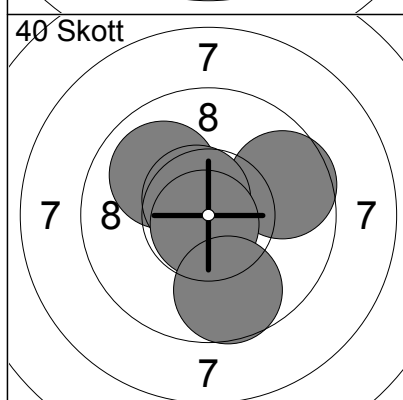
16:	9.5	↓
17:	10.5x	↑
18:	9.7	→
19:	10.3x	→
20:	9.4	↗
Serie		47.0
Total		191.0



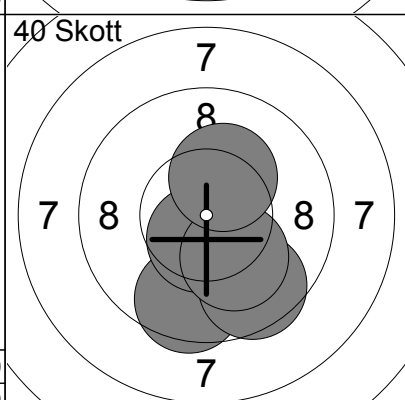
21:	10.0	↓
22:	10.8x	↓
23:	10.5x	↓
24:	10.7x	↓
25:	10.2x	↓
Serie		50.0
Total		241.0



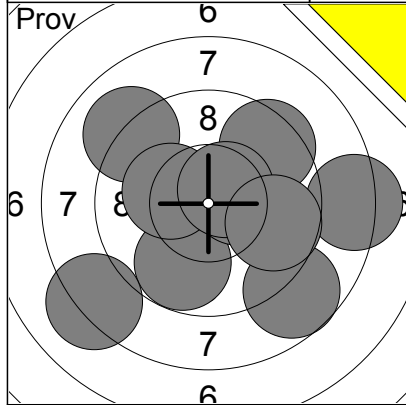
26:	10.4x	↗
27:	9.3	↓
28:	10.4x	→
29:	9.5	↗
30:	9.8	↓
Serie		47.0
Total		288.0



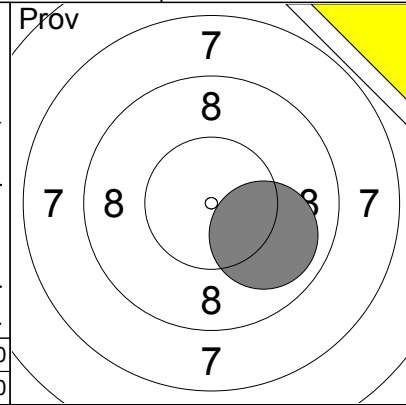
31:	9.6	→
32:	10.0	↗
33:	10.6x	↗
34:	10.8x	↓
35:	9.7	↓
Serie		48.0
Total		336.0



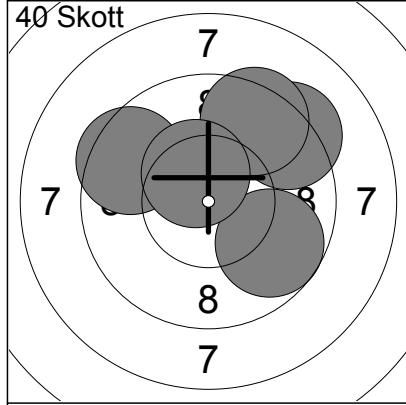
36:	9.5	↓
37:	10.6x	↓
38:	9.6	↓
39:	10.1	↓
40:	10.3x	↑
Serie		48.0
Total		384.0



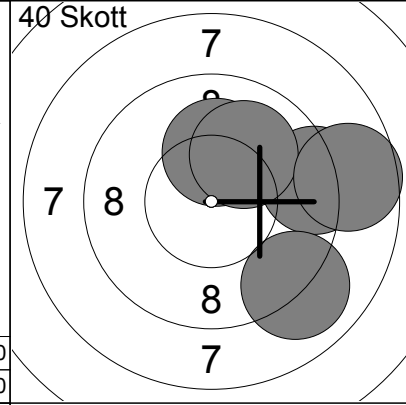
1:	9.0	↗
2:	9.8	↘
3:	8.2	↙
4:	10.2x	↖
5:	8.7	↘
6:	10.4x	→
7:	9.4	↗
8:	10.5x	↗
9:	8.2	→
10:	9.7	→
Serie		90.0
Total		0.0



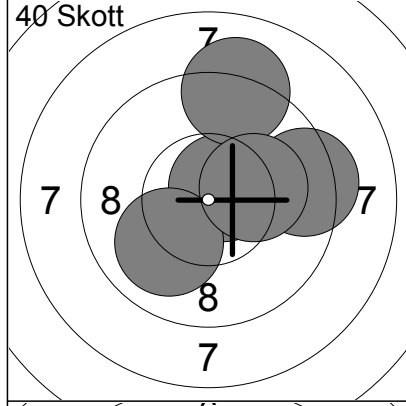
11:	9.9	↘
Serie		9.0
Total		0.0



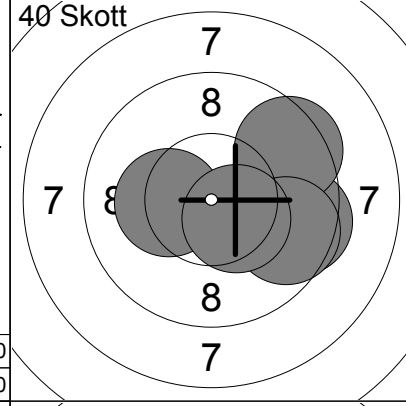
1:	9.7	↘
2:	9.2	↗
3:	9.4	↗
4:	9.5	↗
5:	10.4x	↗
Serie		46.0
Total		46.0



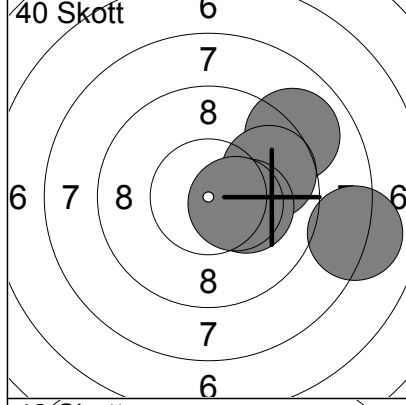
6:	9.2	→
7:	10.1	↑
8:	10.0	↗
9:	8.7	→
10:	9.0	↘
Serie		46.0
Total		92.0



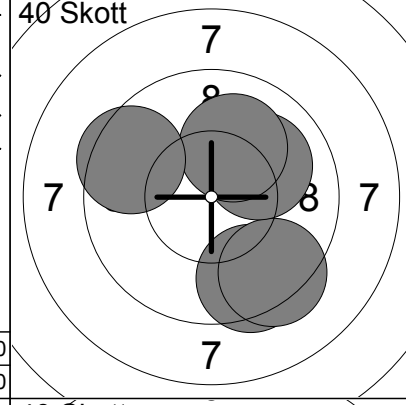
11:	10.6x	↗
12:	10.0	↘
13:	9.1	↑
14:	9.3	→
15:	10.2x	→
Serie		48.0
Total		140.0



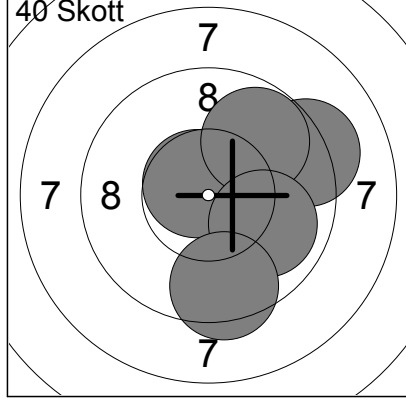
16:	9.5	→
17:	9.4	↗
18:	9.6	→
19:	10.2x	←
20:	10.4x	↘
Serie		47.0
Total		187.0



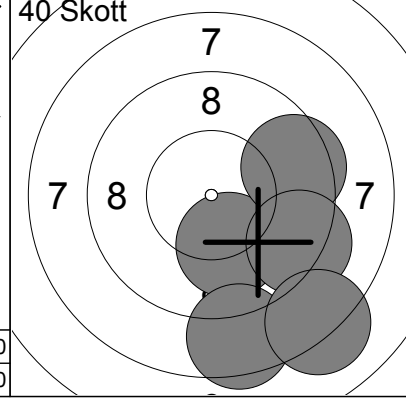
21:	8.1	→
22:	9.0	↗
23:	9.7	→
24:	10.2x	→
25:	10.4x	→
Serie		46.0
Total		233.0



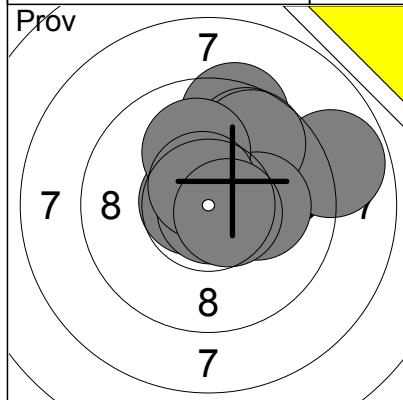
26:	9.5	↘
27:	9.3	↘
28:	10.0	↗
29:	10.1	↗
30:	9.5	↖
Serie		47.0
Total		280.0



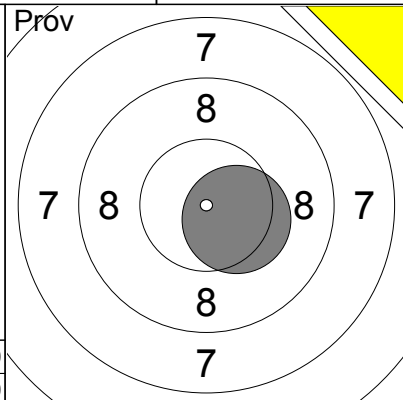
31:	9.2	↗
32:	10.7x	↗
33:	9.8	↗
34:	9.9	↘
35:	9.4	↘
Serie		46.0
Total		326.0



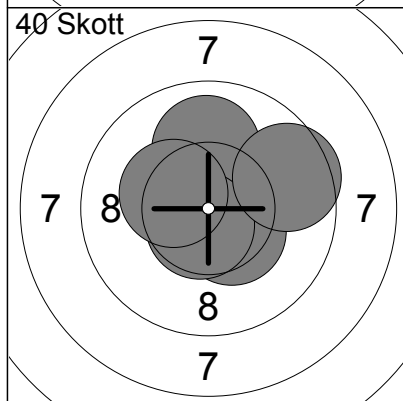
36:	10.1	↘
37:	9.5	→
38:	8.5	↘
39:	9.3	→
40:	8.1	↘
Serie		44.0
Total		370.0



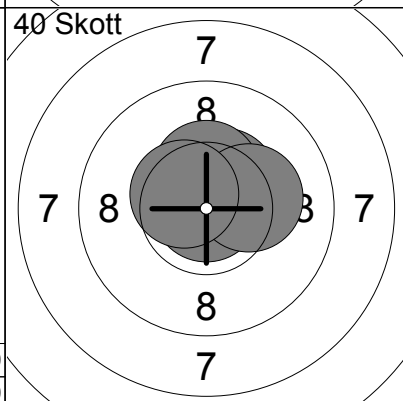
1:	8.8	→
2:	9.4	↑
3:	9.7	↑
4:	9.7	↑
5:	10.1	→
6:	10.7x	←
7:	10.9x	↓
8:	10.1	↑
9:	10.6x	↑
10:	10.6x	→
Serie	95.0	
Total	0.0	



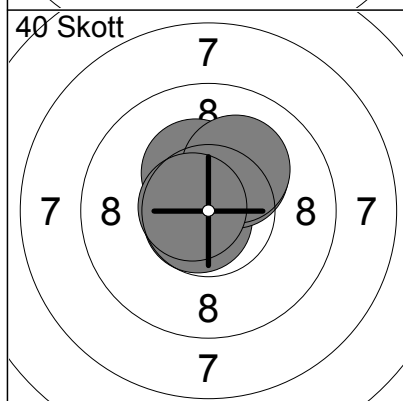
11:	10.4x	→
Serie	10.0	
Total	0.0	



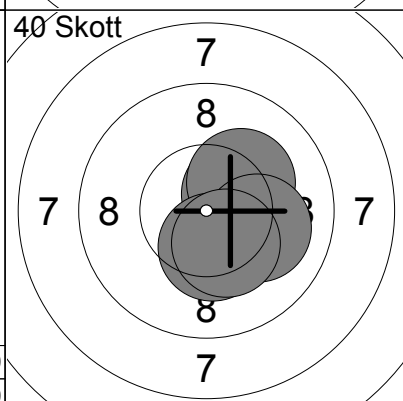
1:	10.4x	↓
2:	10.0	↑
3:	10.6x	↓
4:	9.6	→
5:	10.3x	←
Serie	49.0	
Total	49.0	



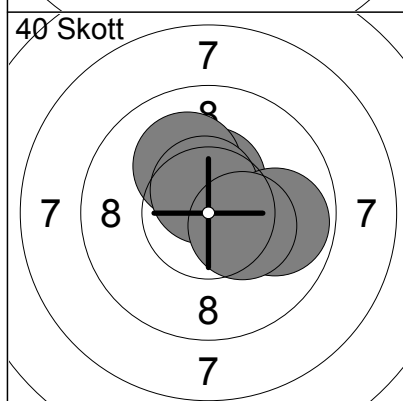
6:	10.4x	↑
7:	10.9x	↑
8:	10.4x	↑
9:	10.2x	→
10:	10.5x	←
Serie	50.0	
Total	99.0	



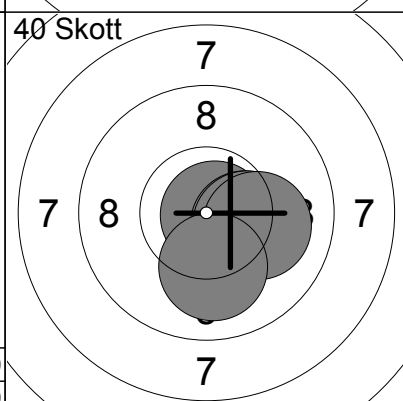
11:	10.7x	←
12:	10.2x	↑
13:	10.3x	↑
14:	10.1	↑
15:	10.7x	←
Serie	50.0	
Total	149.0	



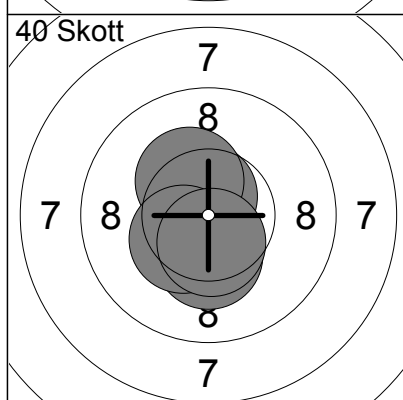
16:	10.4x	→
17:	10.2x	→
18:	10.3x	↓
19:	10.1	→
20:	10.3x	↓
Serie	50.0	
Total	199.0	



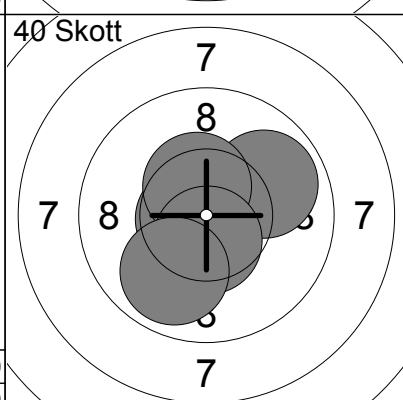
21:	10.4x	↑
22:	10.1	↑
23:	10.6x	↑
24:	9.8	→
25:	10.3x	→
Serie	49.0	
Total	248.0	



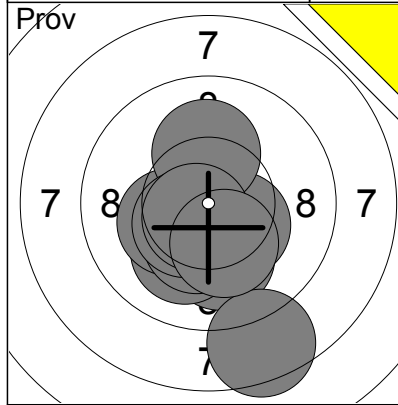
26:	10.8x	→
27:	10.3x	→
28:	10.3x	→
29:	10.1	→
30:	10.1	↓
Serie	50.0	
Total	298.0	



31:	10.3x	↓
32:	10.6x	↑
33:	10.3x	↑
34:	10.4x	←
35:	10.5x	↓
Serie	50.0	
Total	348.0	

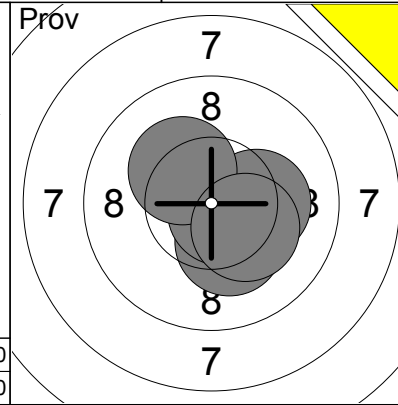


36:	10.7x	←
37:	9.9	→
38:	10.5x	↑
39:	10.5x	↓
40:	9.9	↓
Serie	48.0	
Total	396.0	



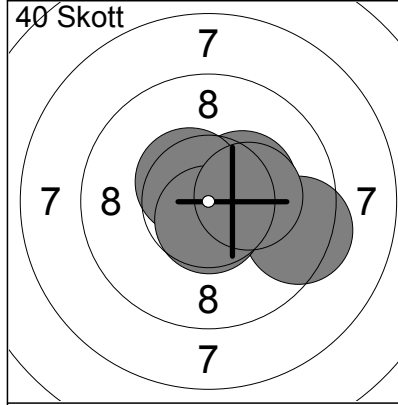
Pröv

1:	10.1	↓
2:	10.4x	↓
3:	10.1	↓
4:	10.3x	↖
5:	10.1	↑
6:	8.5	↓
7:	10.3x	↓
8:	10.5x	↖
9:	10.6x	↖
10:	10.2x	↓
Serie	98.0	
Total	0.0	



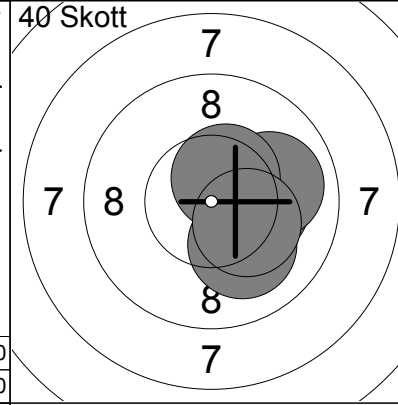
Pröv

11:	10.3x	↓
12:	10.7x	↓
13:	10.2x	→
14:	10.2x	↗
15:	10.3x	↓
Serie	50.0	
Total	0.0	



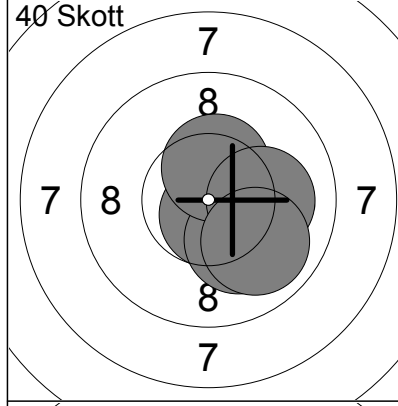
40 Skott

1:	10.3x	→
2:	10.5x	↗
3:	9.4	↘
4:	10.6x	↓
5:	10.3x	→
Serie	49.0	
Total	49.0	



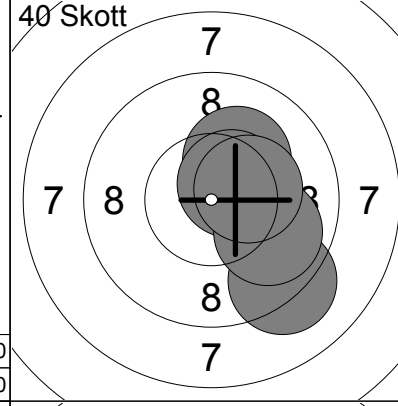
40 Skott

6:	10.2x	→
7:	10.1	↓
8:	10.0	→
9:	10.5x	↗
10:	10.3x	↘
Serie	50.0	
Total	99.0	



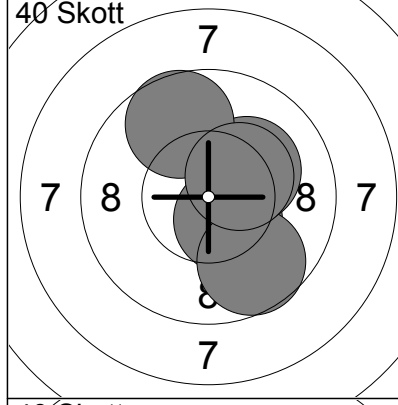
40 Skott

11:	10.7x	↓
12:	10.1	↓
13:	10.4x	↑
14:	10.1	→
15:	9.9	↓
Serie	49.0	
Total	148.0	



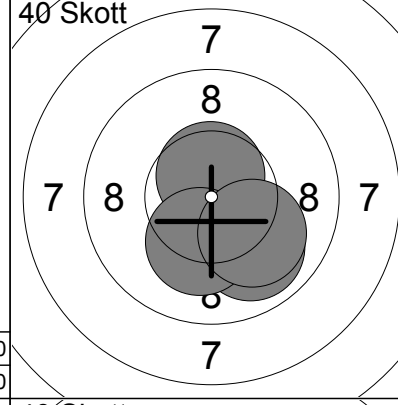
40 Skott

16:	10.2x	↗
17:	10.5x	↗
18:	9.2	↓
19:	9.9	↘
20:	10.3x	→
Serie	48.0	
Total	196.0	



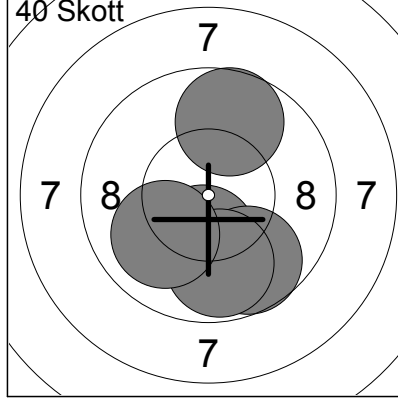
40 Skott

21:	10.5x	↓
22:	9.7	↓
23:	10.2x	↗
24:	9.7	↗
25:	10.3x	↗
Serie	48.0	
Total	244.0	



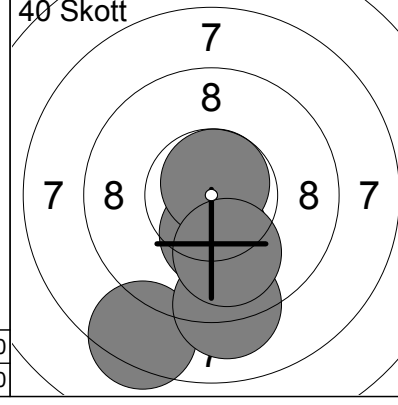
40 Skott

26:	10.5x	↓
27:	9.9	↓
28:	10.6x	↑
29:	10.2x	↓
30:	10.1	↓
Serie	49.0	
Total	293.0	



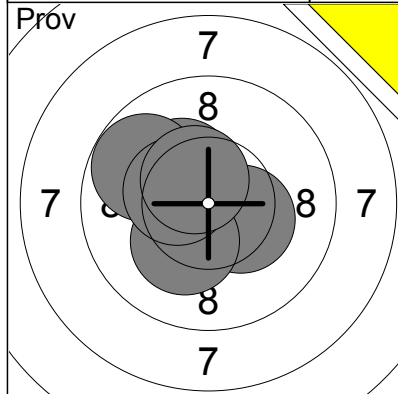
40 Skott

31:	9.7	↑
32:	10.2x	↓
33:	9.7	↓
34:	9.8	↓
35:	10.0	↖
Serie	47.0	
Total	340.0	

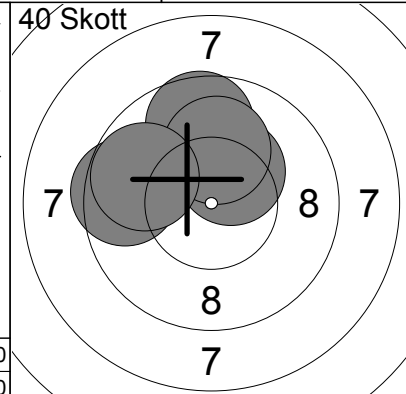


40 Skott

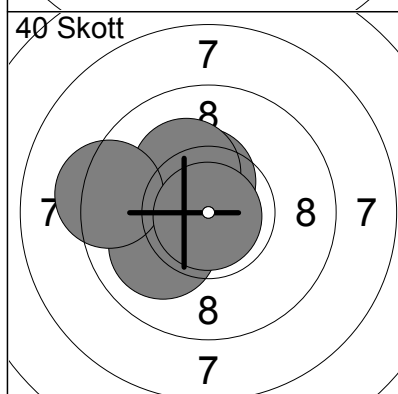
36:	10.3x	↓
37:	10.7x	↑
38:	8.4	↓
39:	9.1	↓
40:	10.0	↓
Serie	47.0	
Total	387.0	



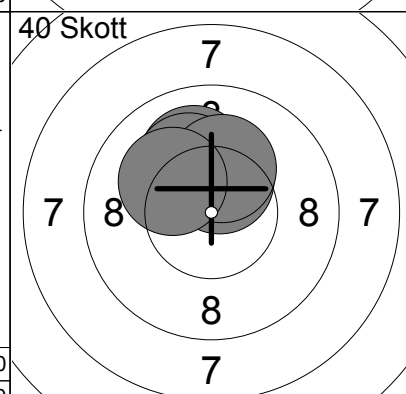
1:	10.4x	↘
2:	10.3x	↗
3:	9.8	↗
4:	10.2x	↘
5:	10.4x	↗
6:	10.5x	↗
Serie		59.0
Total		0.0



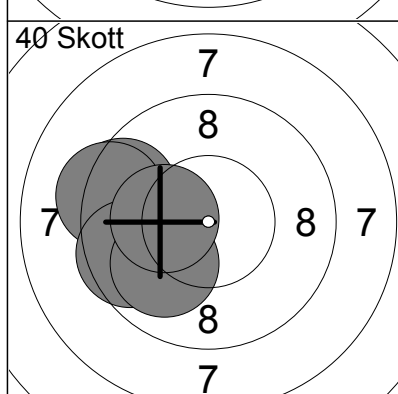
1:	9.5	←
2:	9.7	↑
3:	10.3x	↗
4:	10.1	↑
5:	9.8	←
Serie		47.0
Total		47.0



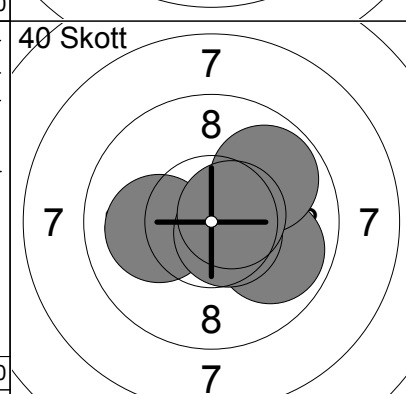
6:	10.0	←
7:	10.4x	↗
8:	10.2x	↗
9:	9.3	←
10:	10.9x	↘
Serie		49.0
Total		96.0



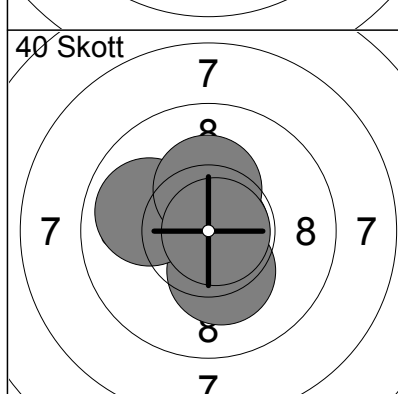
11:	10.0	↑
12:	10.1	↗
13:	10.4x	↑
14:	10.2x	↑
15:	10.1	↖
Serie		50.0
Total		146.0



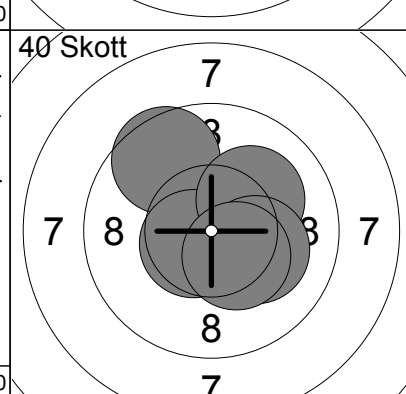
16:	9.5	←
17:	9.3	←
18:	9.6	←
19:	10.0	↘
20:	10.2x	←
Serie		47.0
Total		193.0



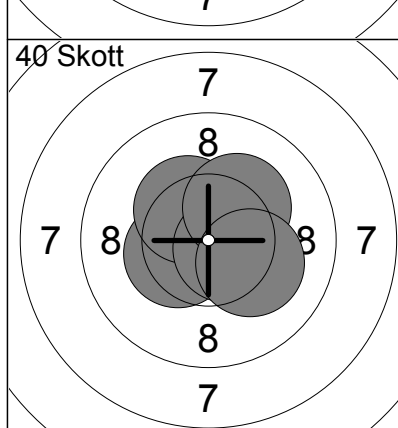
21:	10.1	←
22:	9.9	→
23:	10.6x	→
24:	9.8	↗
25:	10.6x	→
Serie		48.0
Total		241.0



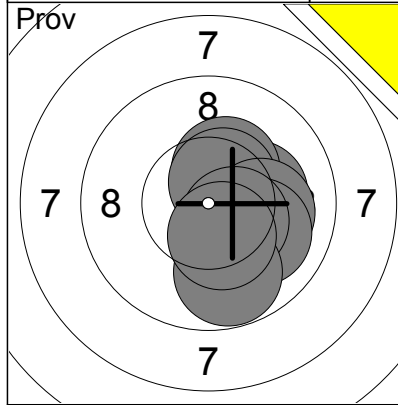
26:	10.3x	↘
27:	10.8x	→
28:	9.9	←
29:	10.3x	↑
30:	10.8x	→
Serie		49.0
Total		290.0



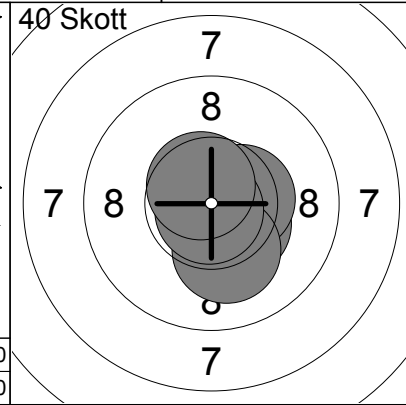
31:	9.6	↖
32:	10.6x	←
33:	10.1	↗
34:	10.2x	→
35:	10.4x	↘
Serie		49.0
Total		339.0



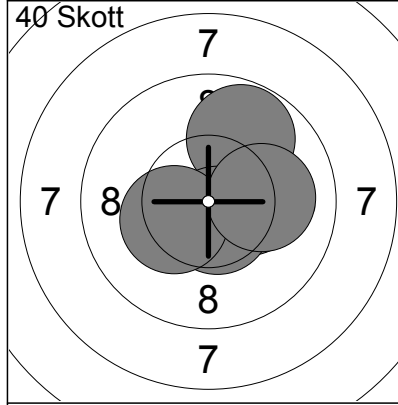
36:	10.4x	←
37:	10.3x	↗
38:	10.6x	→
39:	10.2x	↗
40:	10.2x	↘
Serie		50.0
Total		389.0



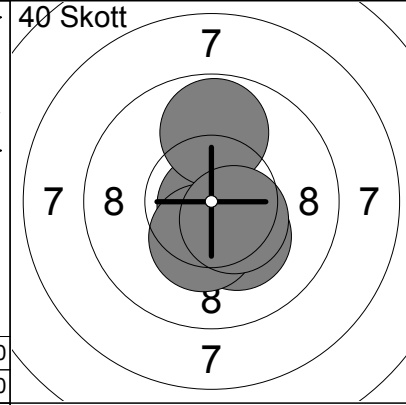
1:	10.2x	→
2:	10.1	↓
3:	10.3x	↗
4:	10.5x	↗
5:	10.3x	↓
6:	10.1	→
7:	10.0	↓
8:	10.4x	↓
9:	9.8	↓
10:	10.4x	↓
Serie	99.0	
Total	0.0	



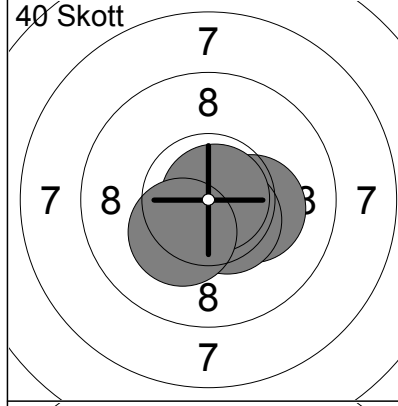
1:	10.4x	↘
2:	10.5x	→
3:	10.1	↓
4:	10.8x	↓
5:	10.6x	↗
Serie	50.0	
Total	50.0	



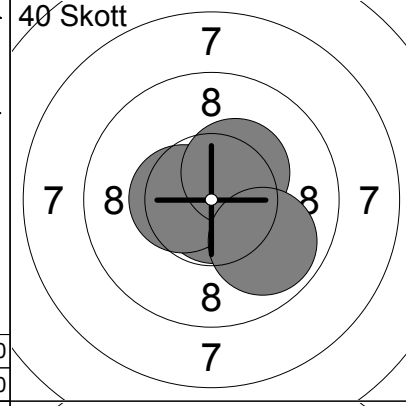
6:	10.3x	→
7:	9.8	↗
8:	10.6x	↓
9:	10.3x	↖
10:	10.1	→
Serie	49.0	
Total	99.0	



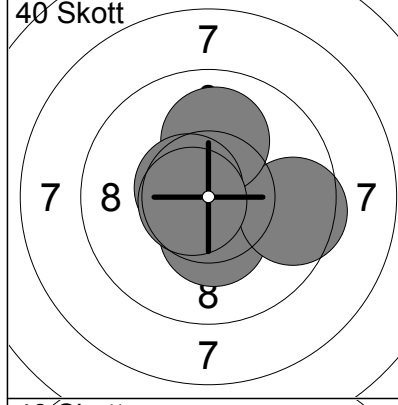
11:	10.9x	↓
12:	9.8	↑
13:	10.2x	↓
14:	10.3x	↓
15:	10.5x	↘
Serie	49.0	
Total	148.0	



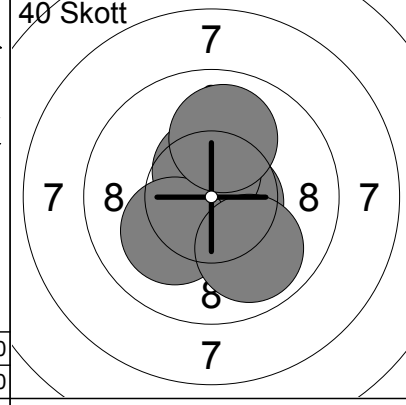
16:	10.2x	→
17:	10.6x	↓
18:	10.5x	↓
19:	10.8x	→
20:	10.3x	↖
Serie	50.0	
Total	198.0	



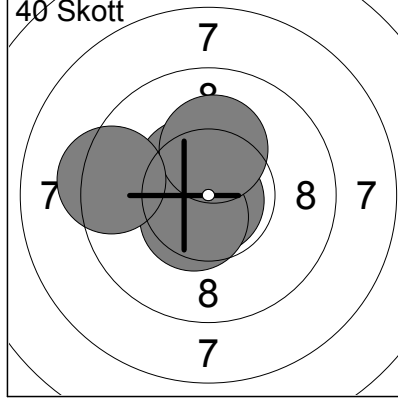
21:	10.8x	↓
22:	10.8x	↑
23:	10.5x	←
24:	10.3x	↗
25:	9.9	↘
Serie	49.0	
Total	247.0	



26:	10.4x	↓
27:	9.5	→
28:	10.0	↑
29:	10.6x	↖
30:	10.7x	←
Serie	49.0	
Total	296.0	

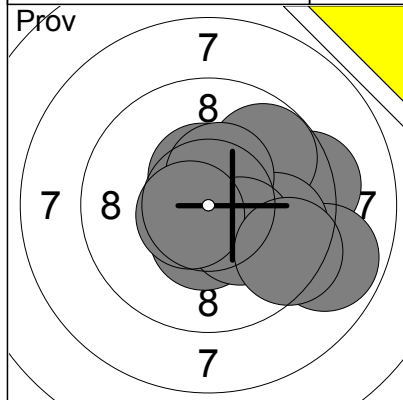


31:	10.6x	→
32:	10.5x	↑
33:	10.1	↖
34:	10.0	↑
35:	9.9	↘
Serie	49.0	
Total	345.0	

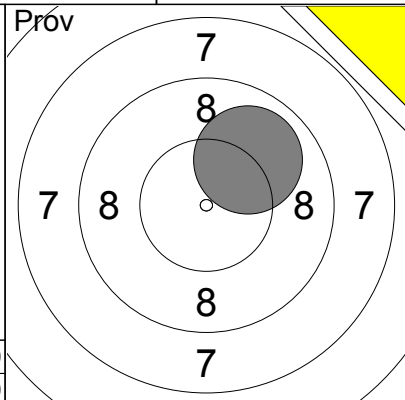


36:	10.9x	↓
37:	10.5x	↗
38:	10.5x	↓
39:	10.2x	↑
40:	9.3	←
Serie	49.0	
Total	394.0	

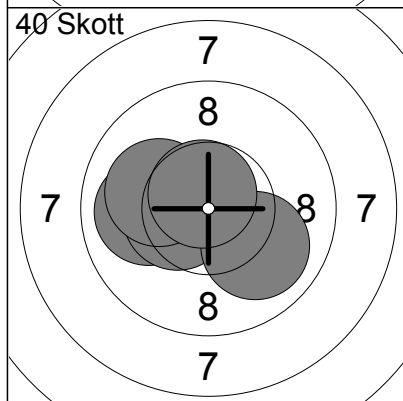
Pröv 	1: 8.7 ↙ 2: 9.0 ↙ 3: 8.7 ← 4: 9.1 ↙ 5: 10.6x ↗ 6: 10.2x ↗ 7: 9.8 ↗ 8: 10.2x → 9: 10.4x ← 10: 10.0 ↑ Serie 93.0 Total 0.0	Pröv 	11: 9.3 ↗ 12: 10.3x ↘ 13: 9.6 ↗ 14: 10.5x ← 15: 10.6x ↑ Serie 48.0 Total 0.0
40 Skott 	1: 10.6x ← 2: 10.0 ↗ 3: 10.0 ↗ 4: 10.8x ← 5: 10.1 ↗	40 Skott 	6: 10.1 ← 7: 10.1 ← 8: 10.0 ↑ 9: 10.1 ← 10: 10.3x ↘
40 Skott 	11: 10.7x ← 12: 10.0 ↘ 13: 9.4 ↗ 14: 9.8 ↘ 15: 10.3x ↘	40 Skott 	16: 10.5x ↗ 17: 9.8 ↗ 18: 9.6 ↗ 19: 9.2 ← 20: 9.2 ↗
40 Skott 	21: 10.6x ↗ 22: 10.3x ↗ 23: 9.2 ↗ 24: 9.7 ↑ 25: 9.7 ←	40 Skott 	26: 10.0 ↗ 27: 9.7 ↗ 28: 10.4x ↘ 29: 10.3x ↗ 30: 9.4 ↗
40 Skott 	31: 9.6 ↑ 32: 8.8 ← 33: 9.6 ↗ 34: 9.8 ↘ 35: 9.8 ↑	40 Skott 	36: 8.8 ↗ 37: 10.6x ↘ 38: 10.4x ↘ 39: 9.6 ↑ 40: 9.8 ↑
Total 333.0		Total 379.0	



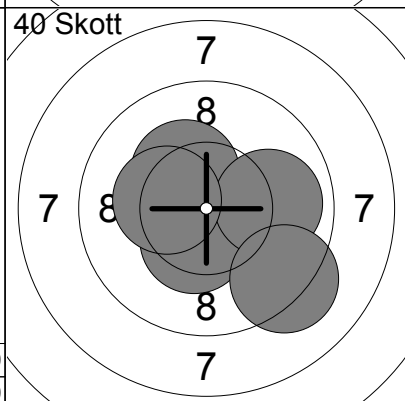
1:	10.5x	↑
2:	9.3	→
3:	10.4x	↓
4:	8.8	→
5:	9.8	↗
6:	9.8	→
7:	10.4x	↑
8:	10.3x	↓
9:	10.6x	←
10:	9.4	↘
Serie	94.0	
Total	0.0	



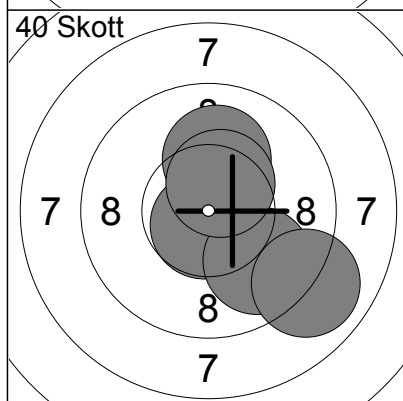
11:	9.9	↗
Serie	9.0	
Total	0.0	



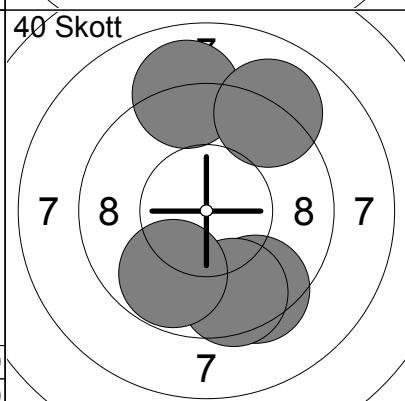
1:	10.0	←
2:	10.4x	←
3:	10.0	↘
4:	10.1	←
5:	10.7x	↗
Serie	50.0	
Total	50.0	



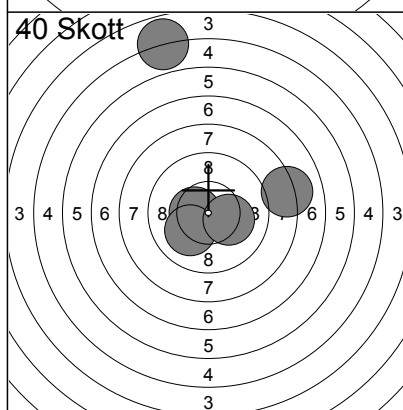
6:	10.4x	↓
7:	10.3x	↗
8:	9.9	→
9:	9.2	↘
10:	10.3x	←
Serie	48.0	
Total	98.0	



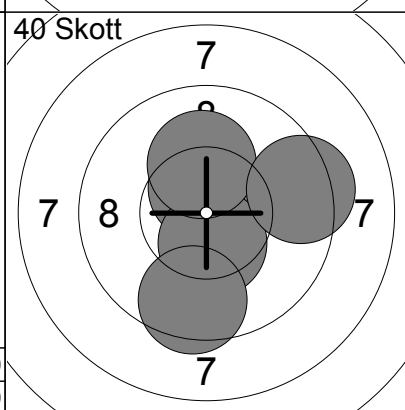
11:	10.7x	↓
12:	9.8	↘
13:	8.9	↘
14:	10.1	↑
15:	10.5x	↑
Serie	47.0	
Total	145.0	



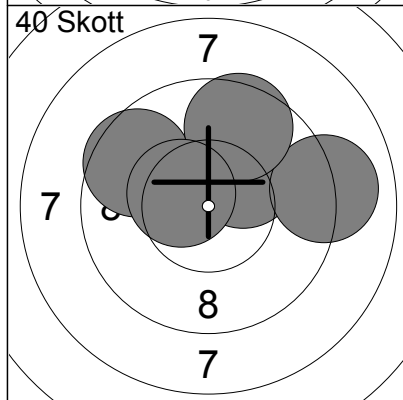
16:	9.4	↓
17:	9.5	↓
18:	9.8	↓
19:	9.0	↑
20:	9.1	↗
Serie	45.0	
Total	190.0	



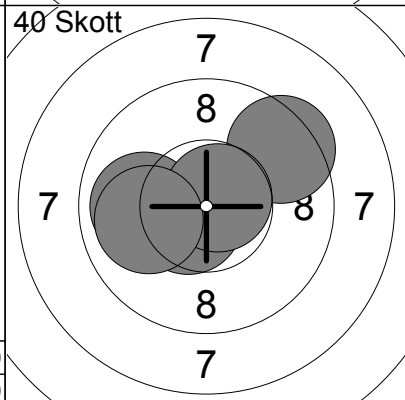
21:	4.9	↑
22:	10.5x	←
23:	8.1	→
24:	10.1	↘
25:	10.2x	↘
Serie	42.0	
Total	232.0	



26:	10.5x	↑
27:	10.4x	↓
28:	9.5	↓
29:	10.1	↑
30:	9.4	→
Serie	48.0	
Total	280.0	



31:	9.6	↖
32:	10.2x	↗
33:	9.0	→
34:	9.6	↑
35:	10.5x	↖
Serie	47.0	
Total	327.0	



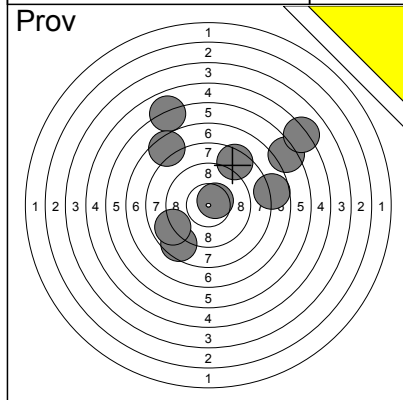
36:	10.6x	↖
37:	9.4	↗
38:	9.9	←
39:	10.7x	↗
40:	10.0	←
Serie	48.0	
Total	375.0	

Skjutlag	Tavla	<h1 style="margin:0;">Markus-Pekka Dreyer Perkiömäki</h1>	
2	34		

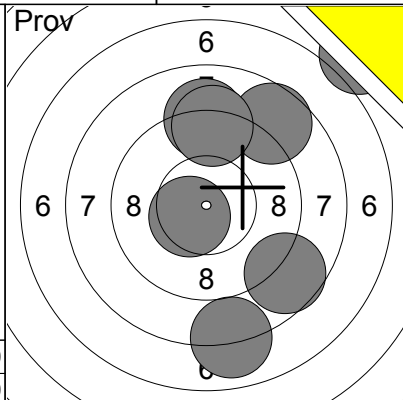
10m	Umeå	Funk	Vb
-----	------	------	----

01.11.2015	Vindelnskottet 2015	Ramselefors SKF
------------	---------------------	-----------------

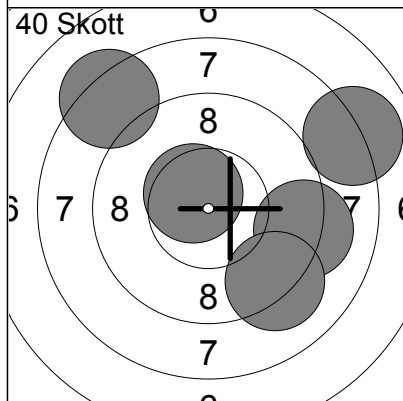
Pröv 	1: 9.3 ← 2: 10.3x → 3: 10.4x ← 4: 10.5x ↓ 5: 9.7 ← 6: 10.2x ↘ 7: 10.3x ← 8: 10.2x ↑ 9: 10.5x → 10: 9.5 ← Serie 97.0 Total 0.0	Pröv 	11: 9.5 ↑ 12: 10.6x ↓ 13: 10.6x ↑ Serie 29.0 Total 0.0
40 Skott 	1: 9.8 ↑ 2: 10.2x → 3: 9.8 ↑ 4: 10.4x → 5: 10.2x → Serie 48.0 Total 48.0	40 Skott 	6: 10.6x ↑ 7: 10.2x ← 8: 9.5 ↑ 9: 10.5x ↓ 10: 10.3x ↓ Serie 49.0 Total 97.0
40 Skott 	11: 9.9 ← 12: 9.7 ↗ 13: 10.7x ↗ 14: 9.8 → 15: 10.1 ← Serie 47.0 Total 144.0	40 Skott 	16: 10.8x ↑ 17: 10.5x ↑ 18: 10.6x ↓ 19: 9.5 ← 20: 10.1 ↗ Serie 49.0 Total 193.0
40 Skott 	21: 9.1 ↗ 22: 9.5 ↑ 23: 9.5 ↑ 24: 10.3x ↑ 25: 10.1 ↑ Serie 47.0 Total 240.0	40 Skott 	26: 10.2x ↗ 27: 10.1 ← 28: 9.3 → 29: 10.5x ↑ 30: 10.6x → Serie 49.0 Total 289.0
40 Skott 	31: 9.9 ↗ 32: 10.5x ↓ 33: 10.3x → 34: 10.6x ↓ 35: 10.9x → Serie 49.0 Total 338.0	40 Skott 	36: 8.7 → 37: 10.0 ↗ 38: 10.0 → 39: 10.5x ↑ 40: 10.0 ↑ Serie 48.0 Total 386.0



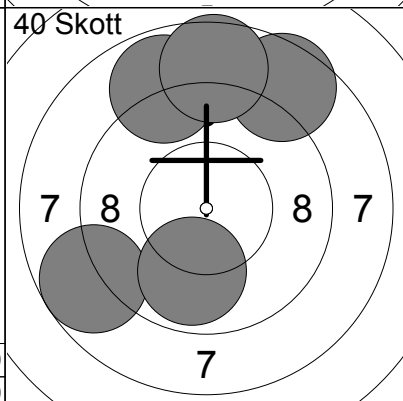
1:	0.0	↗
2:	10.5x	↗
3:	6.0	↗
4:	6.3	↗
5:	8.5	↙
6:	7.5	↗
7:	5.1	↗
8:	8.9	↙
9:	7.7	→
10:	8.4	↗
Serie	65.0	
Total	0.0	



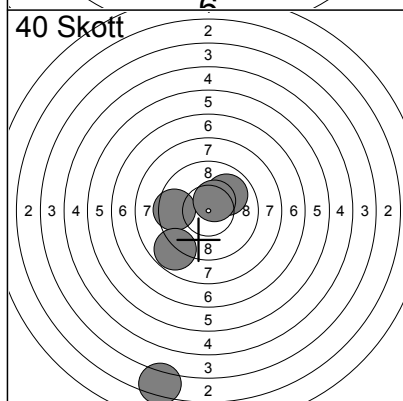
11:	8.7	↗
12:	6.2	↗
13:	9.0	↑
14:	10.5x	↙
15:	9.2	↑
16:	8.0	↓
17:	8.7	↘
Serie	58.0	
Total	0.0	



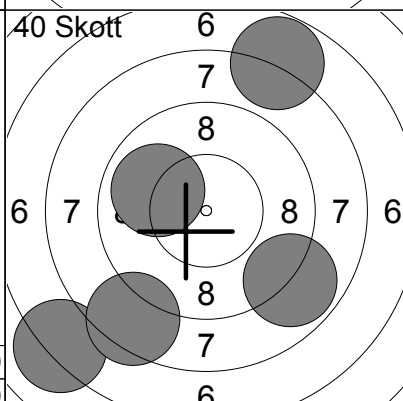
1:	8.3	↗
2:	8.0	→
3:	9.2	→
4:	10.6x	↗
5:	9.2	↘
Serie	44.0	
Total	44.0	



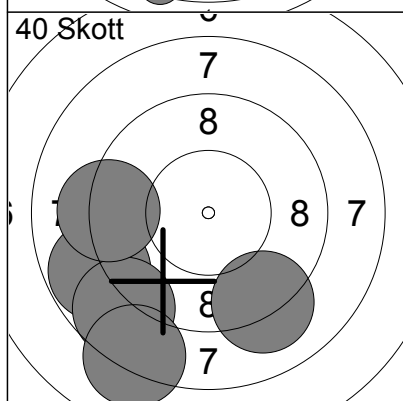
6:	8.7	↙
7:	8.8	↗
8:	8.6	↗
9:	8.6	↑
10:	9.9	↓
Serie	41.0	
Total	85.0	



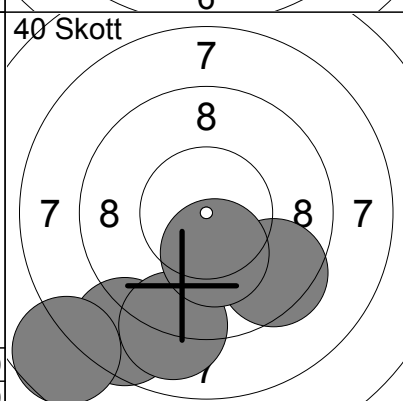
11:	9.5	↙
12:	9.9	↗
13:	10.5x	↗
14:	8.8	↙
15:	3.4	↓
Serie	39.0	
Total	124.0	



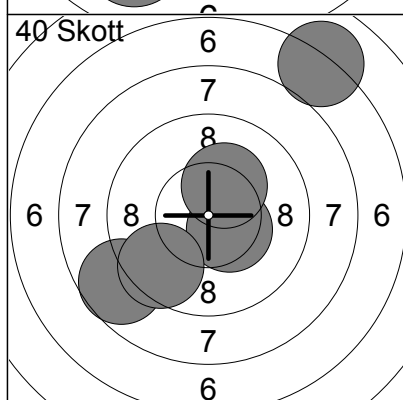
16:	7.8	↗
17:	8.8	↘
18:	9.9	↙
19:	7.1	↙
20:	8.4	↘
Serie	39.0	
Total	163.0	



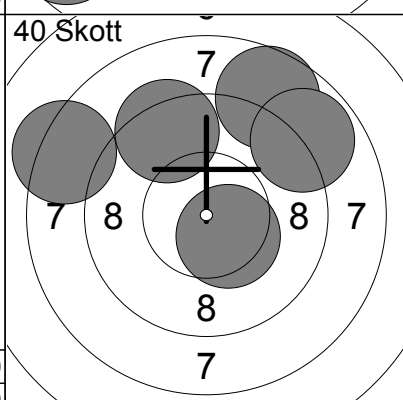
21:	8.8	↙
22:	8.7	↙
23:	9.1	↘
24:	8.1	↘
25:	9.2	↙
Serie	42.0	
Total	205.0	



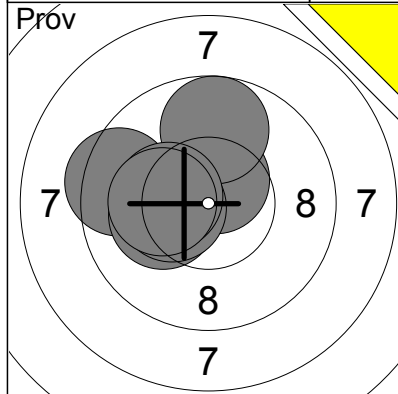
26:	8.6	↘
27:	9.0	↓
28:	9.5	↘
29:	10.3x	↓
30:	7.7	↙
Serie	43.0	
Total	248.0	



31:	8.7	↙
32:	10.4x	↘
33:	10.3x	↗
34:	9.5	↙
35:	7.1	↗
Serie	44.0	
Total	292.0	

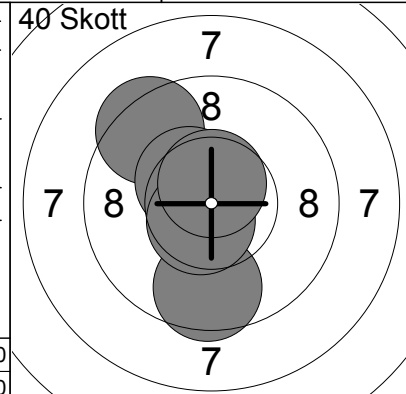


36:	8.7	↗
37:	9.4	↗
38:	8.3	↙
39:	8.9	↗
40:	10.4x	↘
Serie	43.0	
Total	335.0	



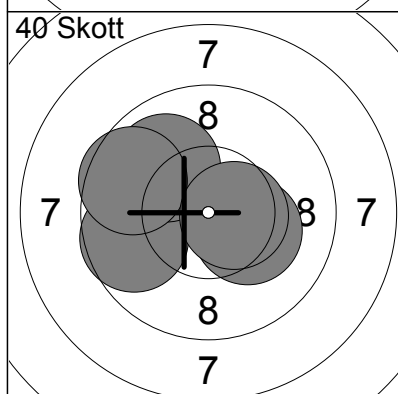
40 Skott

1:	9.4	←
2:	10.2x	←
3:	10.5x	↑
4:	10.3x	←
5:	9.7	↑
6:	10.3x	←
7:	10.2x	←
Serie	68.0	
Total	0.0	



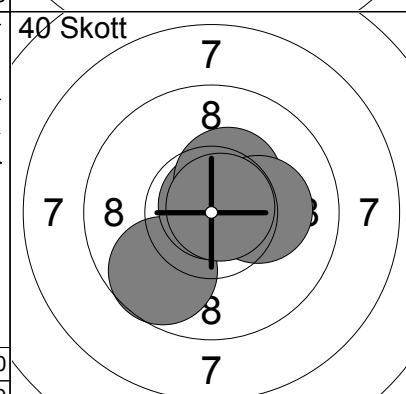
40 Skott

1:	9.4	↗
2:	10.4x	↗
3:	9.6	↓
4:	10.6x	↘
5:	10.6x	↑
Serie	48.0	
Total	48.0	



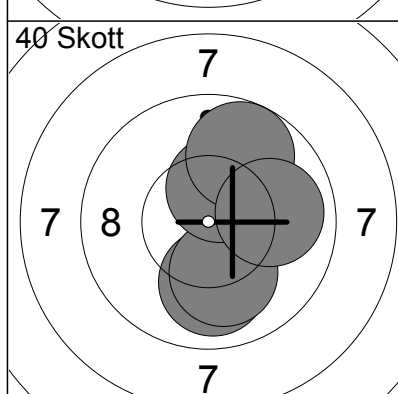
40 Skott

6:	9.7	←
7:	9.9	↗
8:	9.6	↗
9:	10.2x	↘
10:	10.5x	→
Serie	47.0	
Total	95.0	



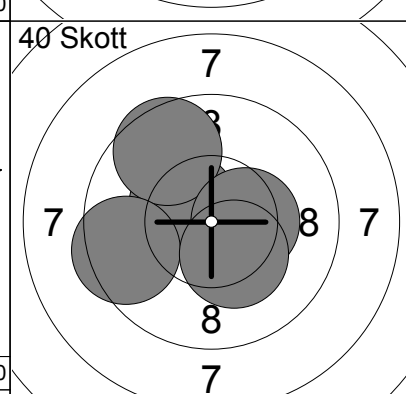
40 Skott

11:	9.7	↘
12:	10.8x	↑
13:	10.4x	↗
14:	10.2x	→
15:	10.8x	↗
Serie	49.0	
Total	144.0	



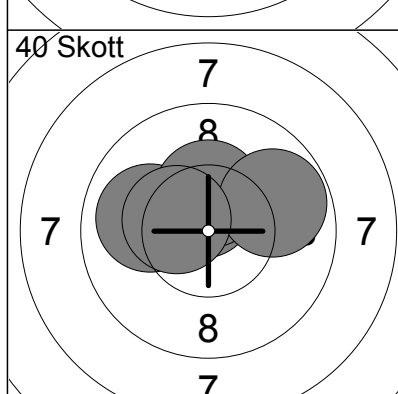
40 Skott

16:	10.0	↓
17:	10.1	↓
18:	10.4x	↑
19:	9.7	↑
20:	9.9	→
Serie	48.0	
Total	192.0	



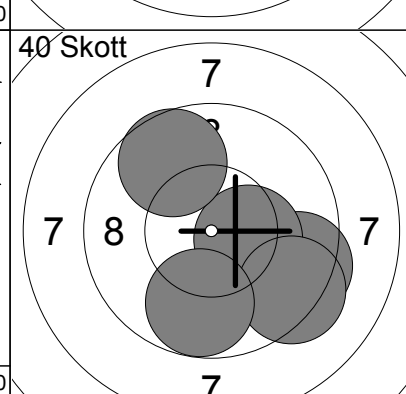
40 Skott

21:	10.4x	↗
22:	9.6	↗
23:	9.5	←
24:	10.4x	→
25:	10.3x	↘
Serie	48.0	
Total	240.0	



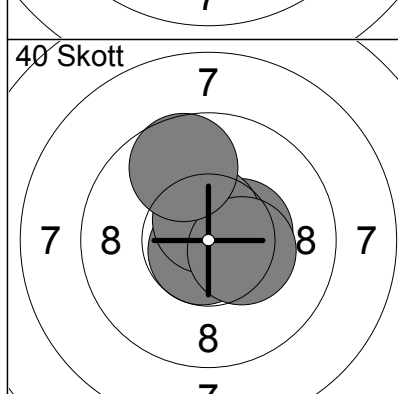
40 Skott

26:	10.5x	↑
27:	10.0	←
28:	10.3x	↑
29:	9.8	↗
30:	10.4x	←
Serie	49.0	
Total	289.0	



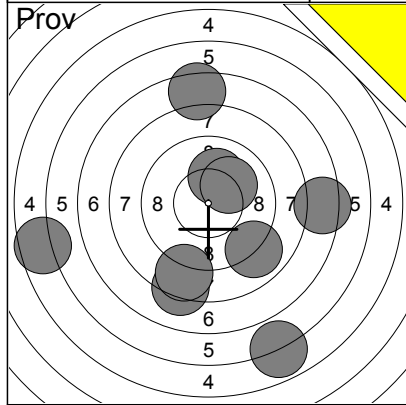
40 Skott

31:	9.4	→
32:	10.3x	→
33:	9.3	↘
34:	9.7	↓
35:	9.7	↗
Serie	46.0	
Total	335.0	

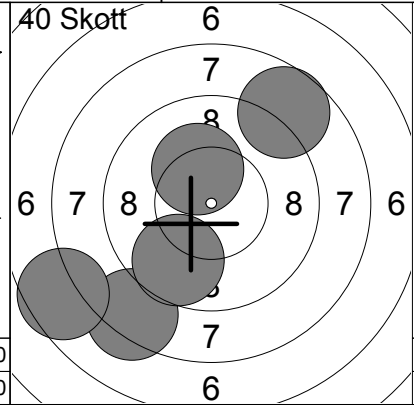


40 Skott

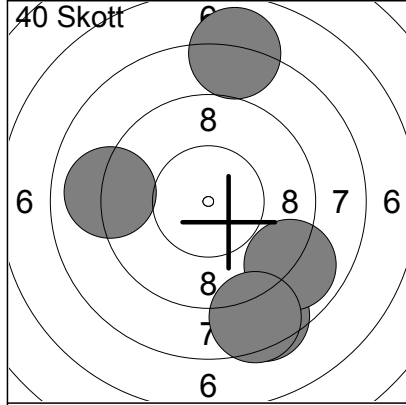
36:	10.4x	→
37:	10.7x	↘
38:	10.6x	↑
39:	10.4x	→
40:	9.7	↑
Serie	49.0	
Total	384.0	



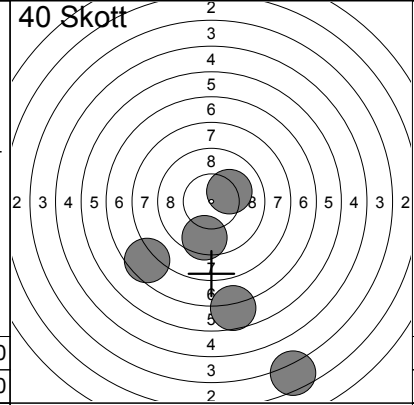
1:	10.1	↑
2:	7.4	→
3:	8.2	↓
4:	5.9	↓
5:	7.4	↑
6:	10.1	↗
7:	5.6	←
8:	8.9	↓
9:	8.6	↓
Serie	68.0	
Total	0.0	



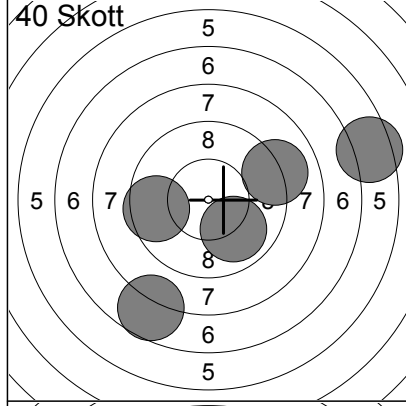
1:	8.3	↓
2:	9.7	↓
3:	8.7	↗
4:	7.6	←
5:	10.2x	↑
Serie	42.0	
Total	42.0	



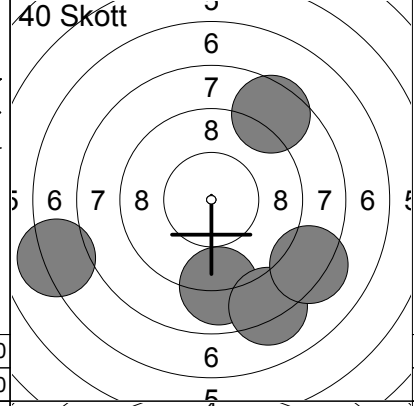
6:	8.5	↓
7:	8.9	↓
8:	8.5	↓
9:	8.0	↑
10:	9.0	←
Serie	41.0	
Total	83.0	



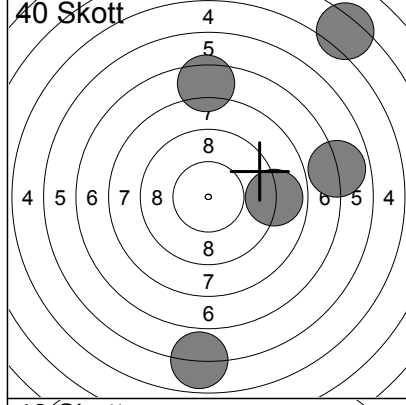
11:	3.5	↓
12:	6.7	↓
13:	7.5	←
14:	10.2x	↗
15:	9.5	↓
Serie	35.0	
Total	118.0	



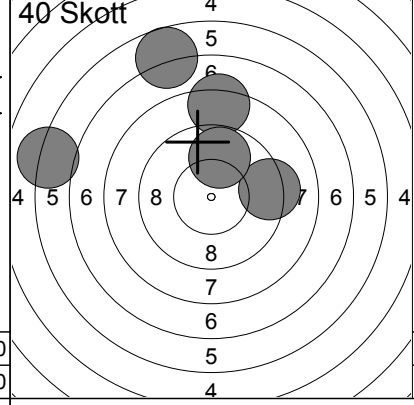
16:	9.9	↓
17:	7.7	↓
18:	6.4	→
19:	9.0	→
20:	9.5	←
Serie	40.0	
Total	158.0	



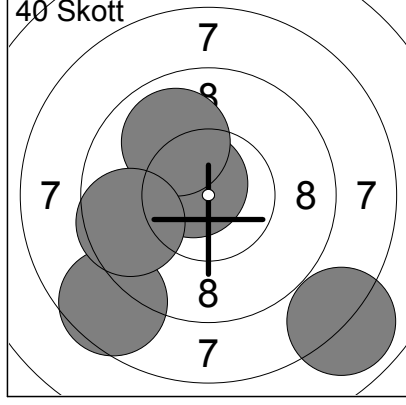
21:	9.0	↓
22:	8.6	↗
23:	8.2	↓
24:	8.3	↘
25:	7.1	←
Serie	40.0	
Total	198.0	



26:	5.9	↓
27:	7.4	↑
28:	6.9	→
29:	8.9	→
30:	4.3	↗
Serie	30.0	
Total	228.0	

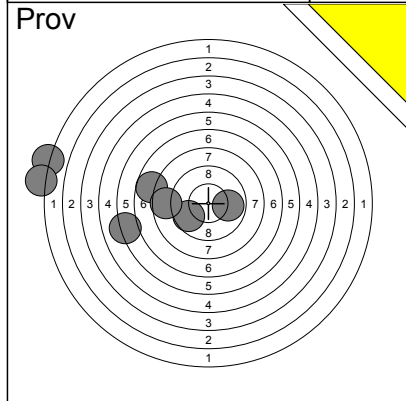


31:	9.3	→
32:	8.3	↑
33:	6.1	←
34:	6.7	↑
35:	9.8	↑
Serie	38.0	
Total	266.0	

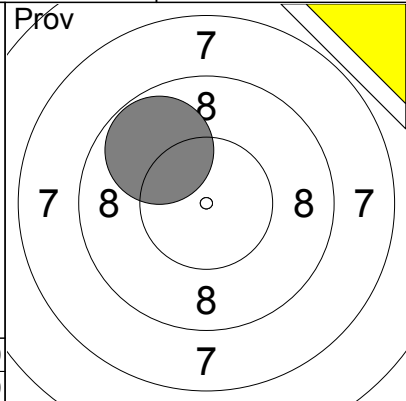


36:	10.6x	↗
37:	9.9	↗
38:	7.9	↓
39:	8.6	↓
40:	9.6	←
Serie	43.0	
Total	309.0	

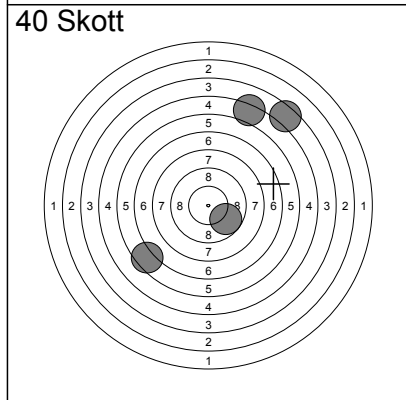
Pröv 	1: 9.6 ↓ 2: 10.4x ↓ 3: 9.9 ↓ 4: 9.9 ↑ 5: 10.4x ↓ 6: 10.5x ↑ 7: 10.0 ↑ 8: 9.9 ← 9: 10.4x ↖ 10: 9.9 ↗ Serie 95.0 Total 0.0	Pröv 	11: 8.7 ↗ 12: 10.3x ↓ 13: 9.9 → 14: 10.4x ↓ Serie 37.0 Total 0.0
40 Skott 	1: 10.4x ← 2: 9.4 ↖ 3: 10.4x ↗ 4: 10.4x ↗ 5: 9.5 ↗	40 Skott 	6: 10.3x ↗ 7: 10.7x ↗ 8: 9.7 ↗ 9: 10.0 ↑ 10: 10.3x ↓
40 Skott 	11: 10.2x ↑ 12: 10.5x ↓ 13: 10.0 → 14: 10.1 ↙ 15: 10.9x ↗	40 Skott 	16: 10.3x ↗ 17: 10.0 ↑ 18: 9.2 ↑ 19: 9.1 ↗ 20: 10.7x ←
40 Skott 	21: 9.8 ↓ 22: 10.5x ↓ 23: 10.5x ↑ 24: 10.4x ↙ 25: 9.9 ↗	40 Skott 	26: 10.2x ↙ 27: 10.8x ↑ 28: 8.8 ↗ 29: 9.5 → 30: 10.1 ↗
40 Skott 	31: 9.6 ↑ 32: 9.8 ↑ 33: 10.7x ↗ 34: 9.5 ↙ 35: 10.4x ↓	40 Skott 	36: 9.4 ↙ 37: 10.2x ↑ 38: 8.0 ↙ 39: 9.1 ↓ 40: 10.1 ↑
Serie 48.0 Total 48.0	Serie 50.0 Total 147.0	Serie 48.0 Total 195.0	Serie 47.0 Total 290.0
Serie 47.0 Total 337.0	Serie 46.0 Total 383.0		



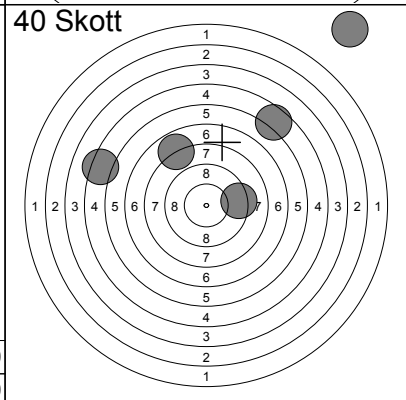
1:	0.0	↘
2:	1.7	↖
3:	9.7	↖
4:	0.0	↗
5:	7.7	↖
6:	6.1	↖
7:	1.6	↖
8:	9.8	↗
9:	8.6	↖
10:	0.0	↗
Serie	41.0	
Total	0.0	



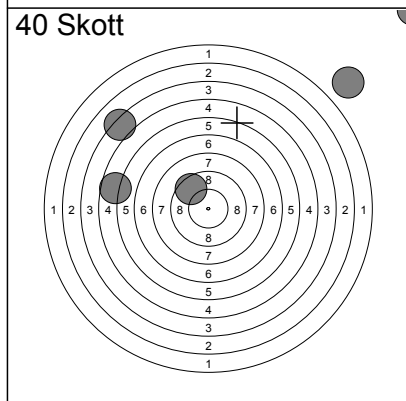
11:	9.8	↗
Serie	9.0	
Total	0.0	



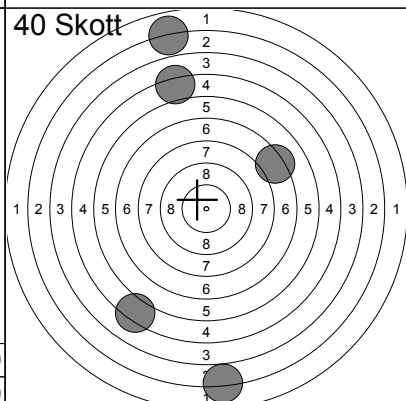
1:	6.5	↖
2:	0.0	→
3:	9.7	↘
4:	4.4	↗
5:	5.2	↗
Serie	24.0	
Total	24.0	



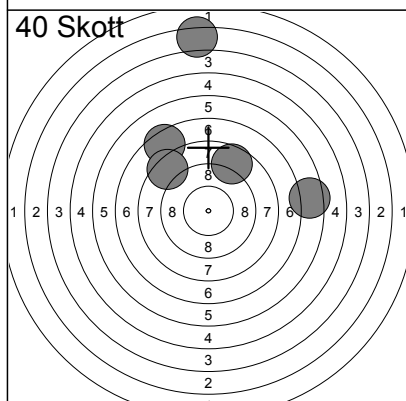
6:	5.6	↗
7:	0.0	↗
8:	7.9	↗
9:	9.3	→
10:	5.3	↖
Serie	26.0	
Total	50.0	



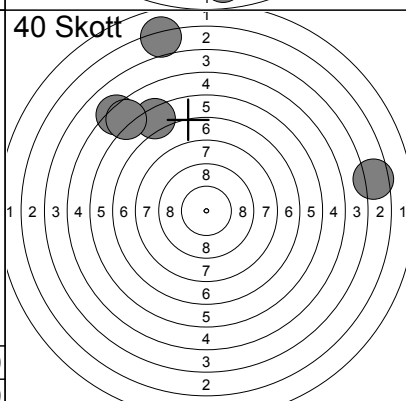
11:	5.6	↖
12:	0.0	↗
13:	0.0	↗
14:	4.2	↗
15:	9.5	↗
Serie	18.0	
Total	68.0	



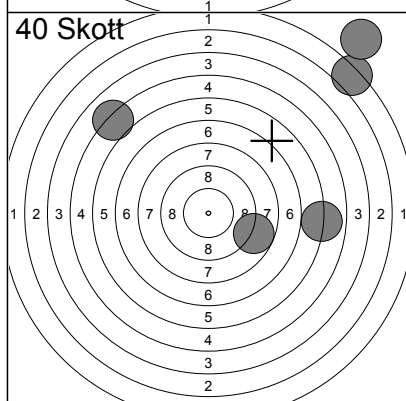
16:	3.0	↘
17:	5.2	↘
18:	5.1	↗
19:	7.2	↗
20:	2.9	↗
Serie	22.0	
Total	90.0	



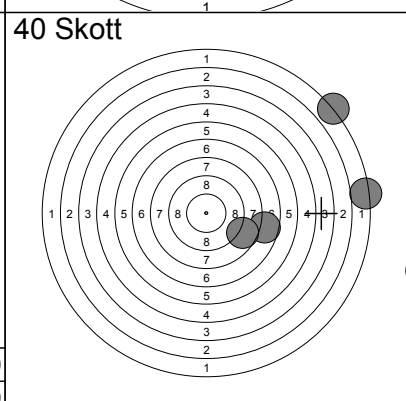
21:	7.4	↗
22:	8.4	↗
23:	8.7	↗
24:	6.4	→
25:	3.3	↗
Serie	32.0	
Total	122.0	



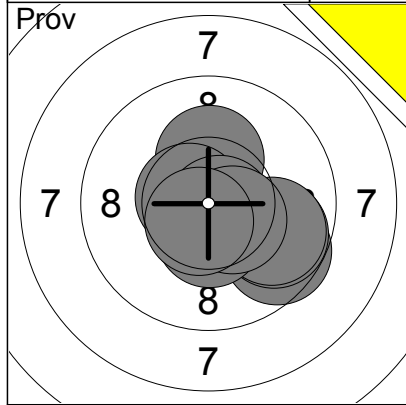
26:	6.3	↗
27:	3.1	↗
28:	5.2	↗
29:	3.5	→
30:	5.6	↗
Serie	22.0	
Total	144.0	



31:	5.1	↗
32:	8.7	↘
33:	2.2	↗
34:	5.9	→
35:	0.0	↗
Serie	20.0	
Total	164.0	

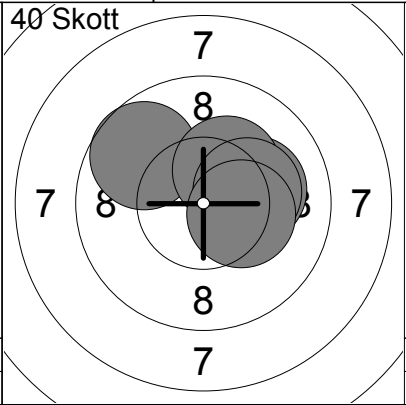


36:	7.6	→
37:	1.8	↗
38:	8.6	↘
39:	2.0	→
40:	0.0	→
Serie	18.0	
Total	182.0	



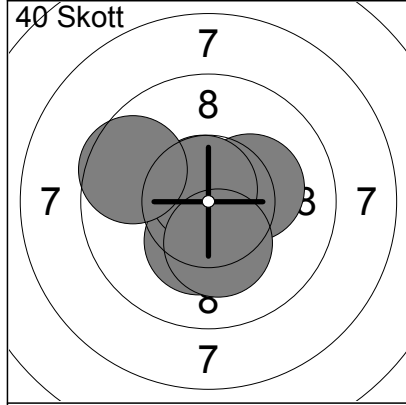
40 Skott

1:	9.6	↘
2:	9.8	↘
3:	10.8x	↗
4:	9.8	↘
5:	10.2x	↑
6:	10.6x	↖
7:	10.7x	↘
8:	10.4x	↘
9:	10.5x	↘
10:	10.6x	↘
Serie	97.0	
Total	0.0	



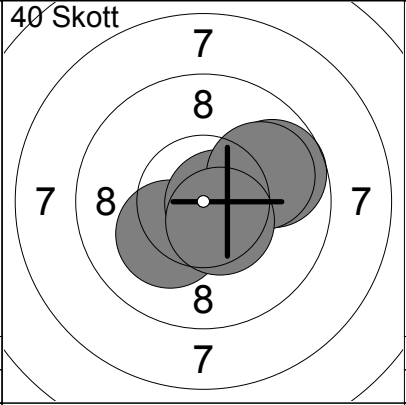
40 Skott

1:	9.7	↖
2:	10.1	→
3:	10.3x	↗
4:	10.2x	→
5:	10.3x	→
Serie	49.0	
Total	49.0	



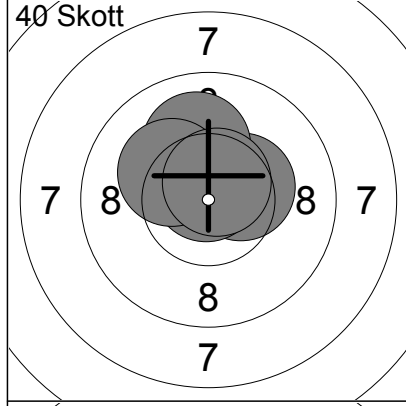
40 Skott

6:	10.2x	→
7:	10.3x	↘
8:	10.7x	↗
9:	10.3x	↘
10:	9.6	↖
Serie	49.0	
Total	98.0	



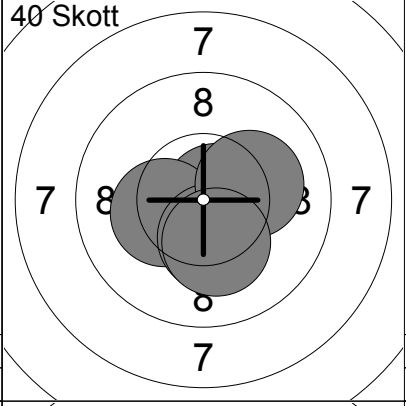
40 Skott

11:	9.7	→
12:	10.2x	↙
13:	10.7x	→
14:	9.9	→
15:	10.5x	↘
Serie	48.0	
Total	146.0	



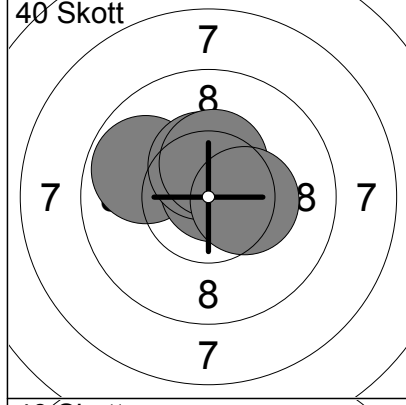
40 Skott

16:	10.4x	→
17:	10.0	↗
18:	10.8x	↗
19:	10.2x	↗
20:	10.6x	↗
Serie	50.0	
Total	196.0	



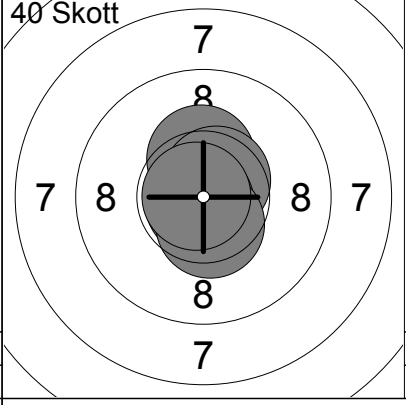
40 Skott

21:	10.7x	→
22:	10.3x	↖
23:	10.3x	↘
24:	10.2x	→
25:	10.2x	↘
Serie	50.0	
Total	246.0	



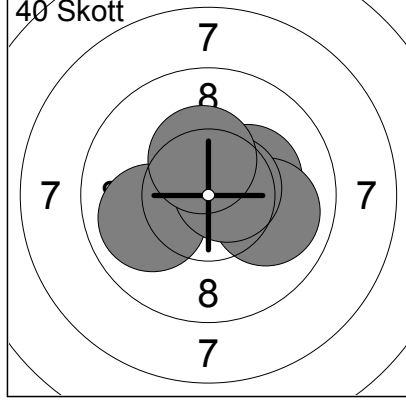
40 Skott

26:	9.8	↖
27:	10.8x	↗
28:	10.4x	↗
29:	10.4x	↗
30:	10.3x	→
Serie	49.0	
Total	295.0	



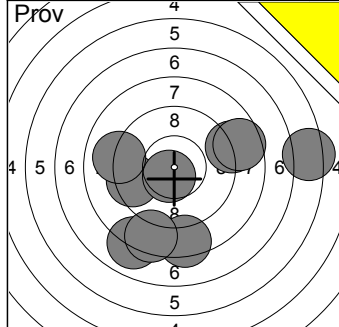
40 Skott

31:	10.3x	↑
32:	10.6x	↗
33:	10.8x	↙
34:	10.5x	↘
35:	10.8x	↖
Serie	50.0	
Total	345.0	

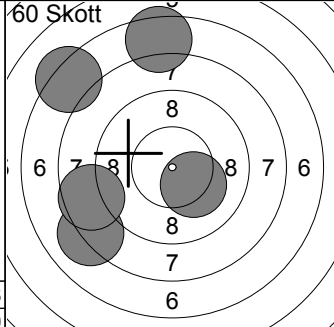


40 Skott

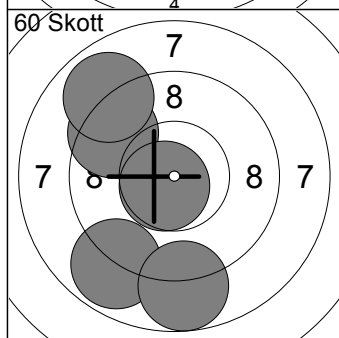
36:	10.2x	→
37:	10.0	→
38:	10.0	↖
39:	10.6x	→
40:	10.4x	↑
Serie	50.0	
Total	395.0	



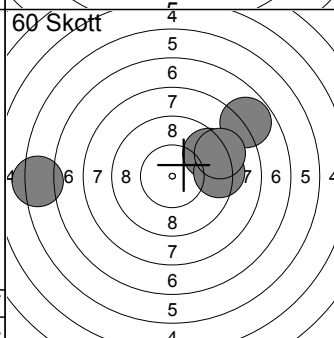
1:	8.9	→
2:	9.5	←
3:	6.3	→
4:	8.4	→
5:	8.6	↓
6:	10.6x	→
7:	8.0	↓
8:	9.0	←
9:	8.5	↓
Serie	77.8	
Total	0.0	



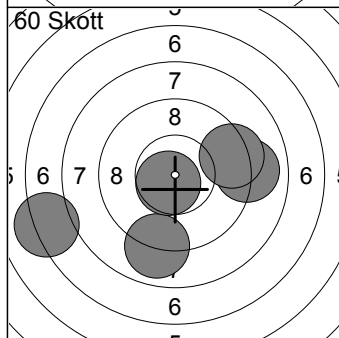
1:	10.2x	↘
2:	7.5	↑
3:	8.1	←
4:	8.6	←
5:	7.3	↘
Serie	41.7	
Total	41.7	



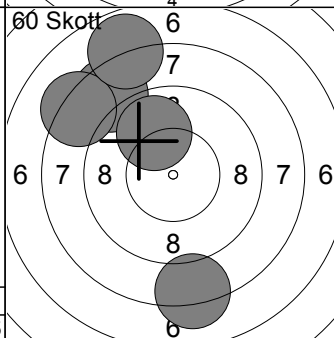
6:	9.5	↘
7:	8.9	↘
8:	8.7	↓
9:	10.7x	↘
10:	8.9	↗
Serie	46.7	
Total	88.4	



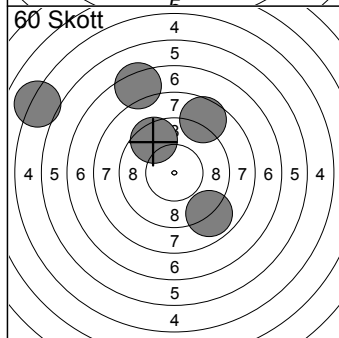
11:	7.8	↗
12:	6.3	←
13:	9.5	↗
14:	9.3	→
15:	9.1	↗
Serie	42.0	
Total	130.4	



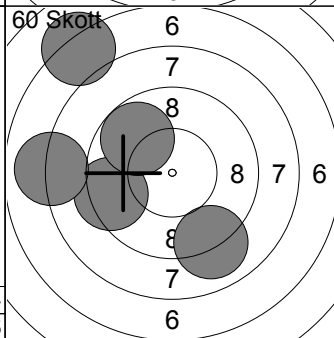
16:	9.0	→
17:	7.2	←
18:	8.9	↓
19:	9.3	→
20:	10.7x	↘
Serie	45.1	
Total	175.5	



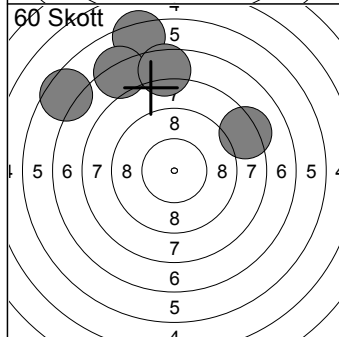
21:	8.2	↓
22:	8.5	↗
23:	9.9	↗
24:	8.2	↘
25:	7.8	↑
Serie	42.6	
Total	218.1	



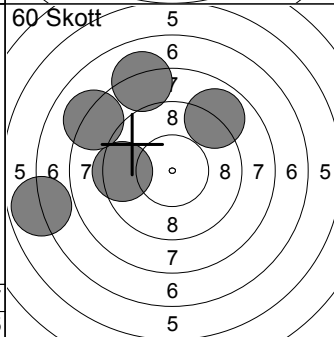
26:	9.5	↗
27:	5.1	↖
28:	7.3	↗
29:	8.9	↓
30:	8.6	↗
Serie	39.4	
Total	257.5	



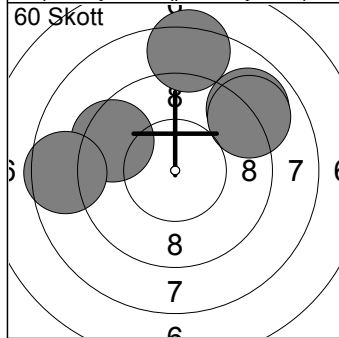
31:	9.4	←
32:	9.8	↖
33:	8.0	←
34:	9.0	↓
35:	7.1	↗
Serie	43.3	
Total	300.8	



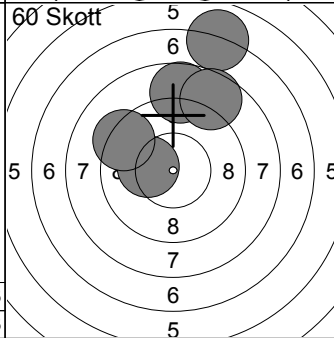
36:	6.5	↖
37:	8.2	↗
38:	6.3	↗
39:	7.2	↗
40:	7.5	↑
Serie	35.7	
Total	336.5	



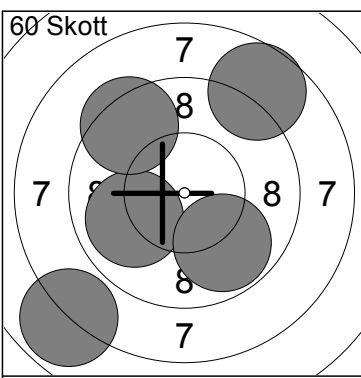
41:	8.1	↑
42:	9.5	←
43:	8.1	↖
44:	8.9	↗
45:	6.9	←
Serie	41.5	
Total	378.0	



46:	8.9	↗
47:	9.0	↗
48:	9.4	↖
49:	8.4	↑
50:	8.6	←
Serie	44.3	
Total	422.3	



51:	10.2x	←
52:	8.7	↑
53:	9.3	↖
54:	7.0	↗
55:	8.6	↗
Serie	43.8	
Total	466.1	



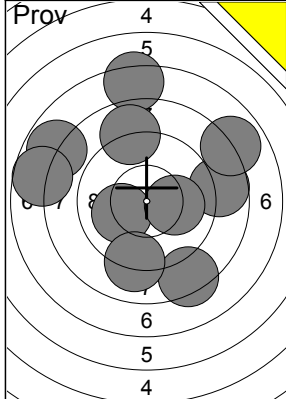
56:	9.9	↙
57:	8.7	↗
58:	7.9	↙
59:	9.8	↘
60:	9.4	↗

Serie	45.7
Total	511.8

Skjutlag 3 Tavlå 2 **Carl Bergling**

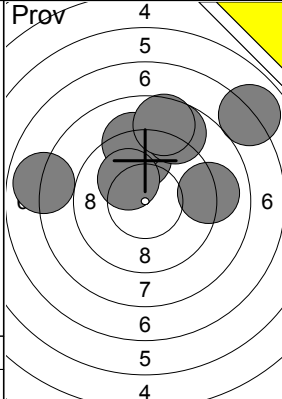
10m Umeå 15S Vb

01.11.2015 Vindelnskottet 2015 Ramselefors SKF



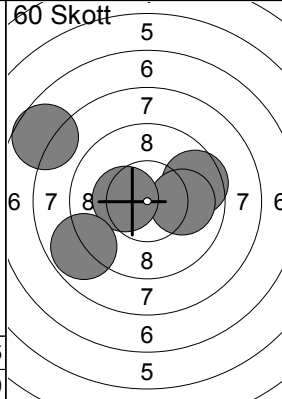
1: 10.1 ↙
2: 8.4 ↘
3: 8.7 →
4: 7.3 ↑
5: 7.8 ↗
6: 7.7 ←
7: 7.9 →
8: 8.9 ↑
9: 9.1 ↓
10: 10.1 →

Serie 86.0
Total 0.0



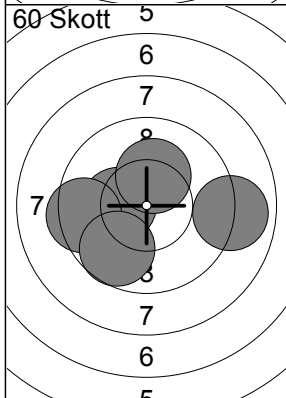
11: 9.7 ↑
12: 9.2 ↑
13: 9.1 →
14: 10.1 ↗
15: 7.0 ↗
16: 8.8 ↗
17: 8.7 ↑
18: 7.9 ←

Serie 70.5
Total 0.0



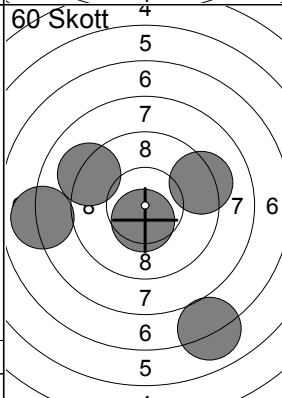
1: 7.7 ↖
2: 9.6 →
3: 10.0 →
4: 10.4x ←
5: 8.8 ↙

Serie 46.5
Total 46.5



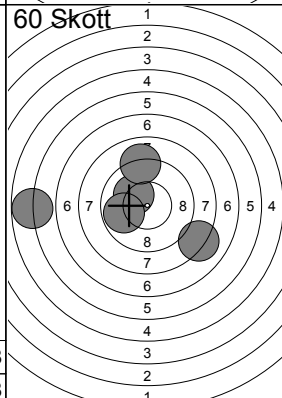
6: 10.3x ←
7: 9.4 ←
8: 8.9 →
9: 9.7 ↘
10: 10.2x ↑

Serie 48.5
Total 95.0



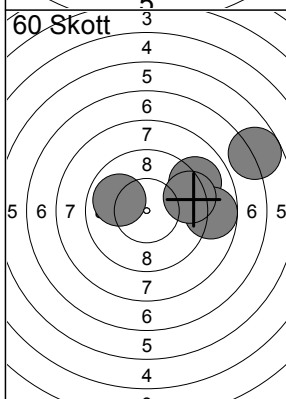
11: 10.5x ↓
12: 8.0 ←
13: 7.0 ↘
14: 9.2 →
15: 9.1 ↗

Serie 43.8
Total 138.8



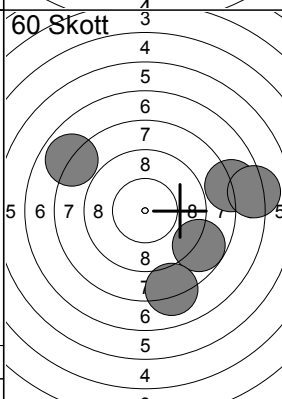
16: 10.2x ↖
17: 9.8 ←
18: 5.8 ←
19: 9.1 ↑
20: 8.1 ↘

Serie 43.0
Total 181.8



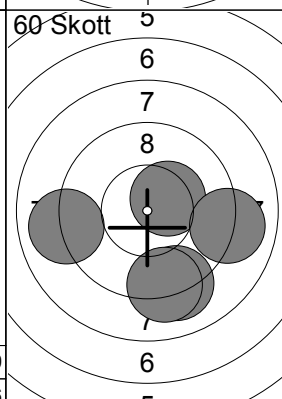
21: 9.0 ↗
22: 8.7 →
23: 6.8 →
24: 10.0 ←
25: 9.4 →

Serie 43.9
Total 225.7



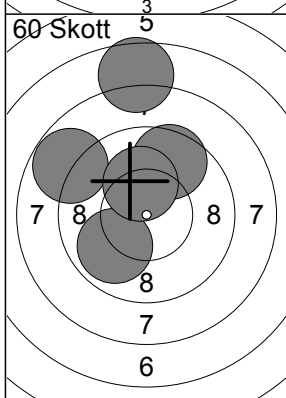
26: 7.9 ↗
27: 8.8 ↘
28: 7.9 →
29: 7.2 →
30: 8.1 ↓

Serie 39.9
Total 265.6



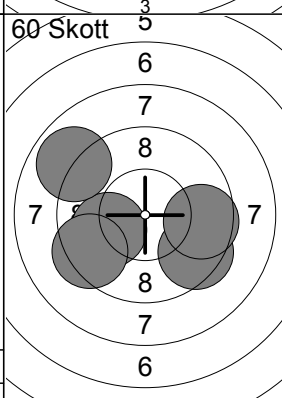
31: 9.0 ←
32: 9.1 ↘
33: 10.4x →
34: 9.1 ↘
35: 9.0 →

Serie 46.6
Total 312.2



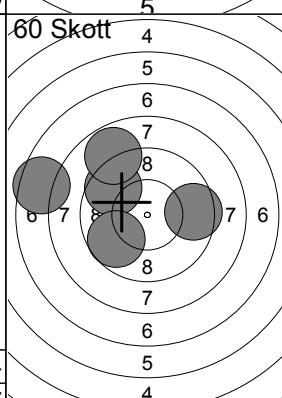
36: 9.9 ↙
37: 9.6 ↗
38: 8.8 ↗
39: 10.2x ↑
40: 7.6 ↑

Serie 46.1
Total 358.3



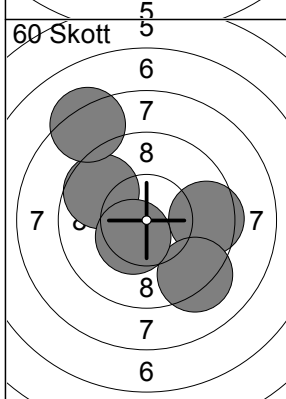
41: 10.0 ←
42: 9.5 ↘
43: 9.6 →
44: 8.9 ↗
45: 9.4 ←

Serie 47.4
Total 405.7



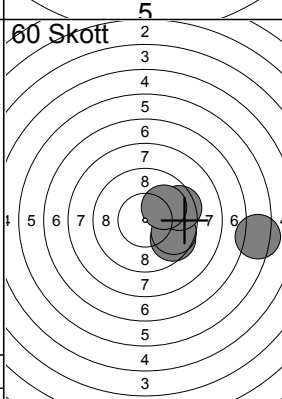
46: 7.5 ←
47: 9.6 ↗
48: 9.5 →
49: 9.7 ↙
50: 8.8 ↗

Serie 45.1
Total 450.8



51: 9.7 ↗
52: 9.5 →
53: 8.3 ↗
54: 9.2 ↘
55: 10.4x ↙

Serie 47.1
Total 497.9



56: 9.6 ↘
57: 6.4 →
58: 9.7 ↘
59: 9.5 →
60: 10.0 ↗

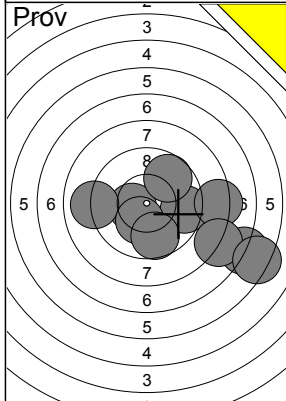
Serie 45.2
Total 543.1

10m		Gefle Friv Skarp		15S		Gä	
01.11.2015		Vindelnskottet 2015		Ramselefors SKF			
	1: 8.8 ↑ 2: 8.7 → 3: 7.0 → 4: 9.6 → 5: 9.8 → 6: 8.5 ↑ 7: 8.0 ↑ 8: 9.2 → 9: 8.3 ↗ 10: 8.3 ↗ Serie 86.2 Total 0.0		11: 9.6 ↑ 12: 9.9 ↙ 13: 9.8 ↗ 14: 6.4 ↗ 15: 9.0 ↗ 16: 10.2x ↙ 17: 10.3x ↙ 18: 10.2x ↘ 19: 9.0 ↙ 20: 9.6 ↙ Serie 94.0 Total 0.0		21: 8.2 → 22: 7.5 ↙ 23: 5.0 ↙ 24: 8.3 ↙ 25: 9.6 ↙ 26: 9.7 ↘ Serie 48.3 Total 0.0		
	1: 9.6 ↙ 2: 10.1 → 3: 10.6x → 4: 10.2x ↘ 5: 10.1 ↘ Serie 50.6 Total 50.6		6: 8.7 ↘ 7: 8.4 ↗ 8: 7.9 ↗ 9: 10.2x ↗ 10: 9.3 ↙ Serie 44.5 Total 95.1		11: 8.6 ↙ 12: 10.4x ↙ 13: 8.8 ↙ 14: 9.7 ↙ 15: 9.5 ↘ Serie 47.0 Total 142.1		
	16: 10.3x ↑ 17: 9.4 ↑ 18: 9.9 ↑ 19: 9.1 ↙ 20: 9.7 ↘ Serie 48.4 Total 190.5		21: 9.5 ↙ 22: 10.0 ↗ 23: 8.3 ↘ 24: 9.2 ↗ 25: 9.3 ↙ Serie 46.3 Total 236.8		26: 9.3 → 27: 10.2x ↘ 28: 10.3x → 29: 9.4 ↗ 30: 8.6 ↗ Serie 47.8 Total 284.6		
	31: 7.1 ↙ 32: 9.1 ↘ 33: 9.6 → 34: 6.7 ↙ 35: 8.9 ↗ Serie 41.4 Total 326.0		36: 9.2 ↙ 37: 8.8 → 38: 4.8 ↙ 39: 7.2 → 40: 6.6 → Serie 36.6 Total 362.6		41: 9.2 ↗ 42: 10.4x ↘ 43: 8.0 → 44: 6.9 → 45: 9.6 ↘ Serie 44.1 Total 406.7		
	46: 9.1 → 47: 9.2 → 48: 9.4 ↗ 49: 8.8 ↘ 50: 9.1 ↘ Serie 45.6 Total 452.3		51: 9.6 ↑ 52: 9.0 ↙ 53: 10.0 → 54: 9.7 ↘ 55: 7.5 → Serie 45.8 Total 498.1		56: 10.3x ↗ 57: 8.8 → 58: 10.1 ↘ 59: 10.0 ↘ 60: 9.9 → Serie 49.1 Total 547.2		

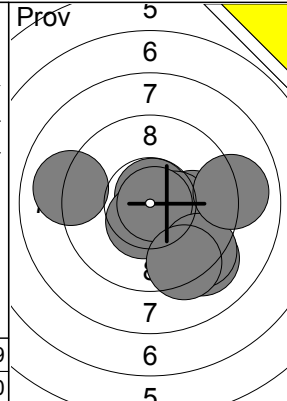
Skjutlag 3 Tavla 4 **Casper Fredriksson**

10m Ramselefors 15S Vb

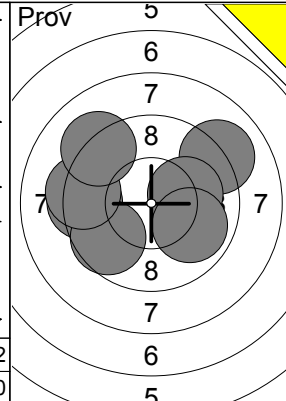
01.11.2015 Vindelnskottet 2015 Ramselefors SKF



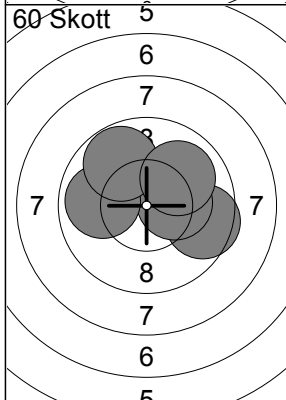
1:	6.9	↘
2:	10.4x	←
3:	9.0	←
4:	9.5	→
5:	8.3	→
6:	9.7	↗
7:	7.9	↘
8:	6.3	↘
9:	10.2x	↘
10:	9.7	↘
Serie		87.9
Total		0.0



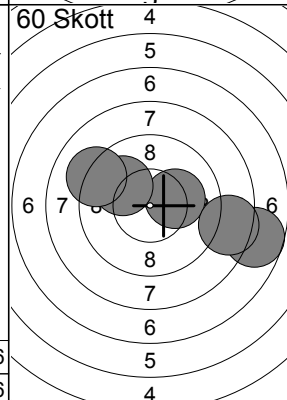
11:	9.9	→
12:	10.8x	↑
13:	10.5x	↘
14:	10.4x	→
15:	9.2	↘
16:	10.8x	→
17:	9.0	←
18:	9.3	↘
19:	9.3	↘
20:	9.0	→
Serie		98.2
Total		0.0



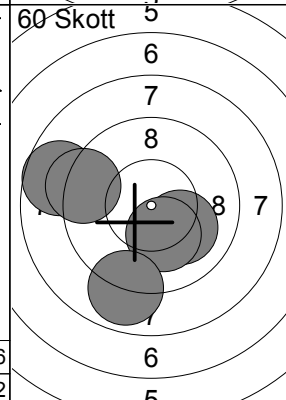
21:	9.4	←
22:	9.0	↗
23:	9.7	↘
24:	9.3	←
25:	10.1	→
26:	9.2	↗
27:	9.9	↘
Serie		66.6
Total		0.0



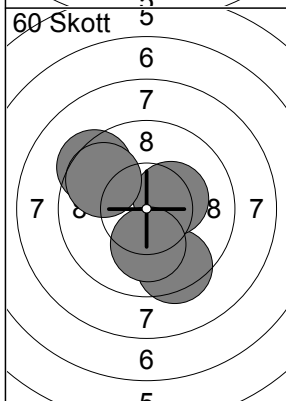
1:	9.6	→
2:	10.3x	→
3:	9.9	←
4:	9.8	↗
5:	10.0	↗
Serie		49.6
Total		49.6



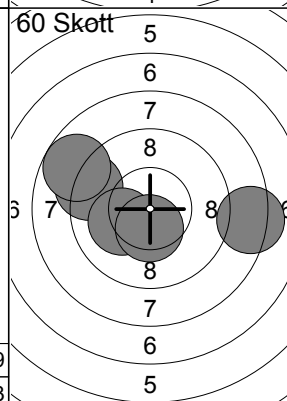
6:	10.2x	→
7:	10.0	↗
8:	7.7	→
9:	8.6	→
10:	9.1	↗
Serie		45.6
Total		95.2



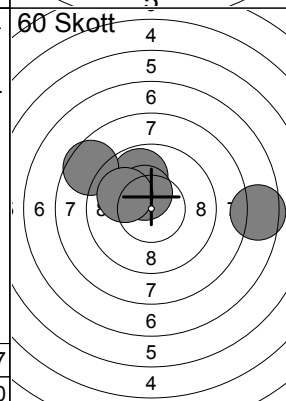
11:	10.1	↘
12:	8.7	↗
13:	9.3	↗
14:	10.2x	↘
15:	8.9	↘
Serie		47.2
Total		142.4



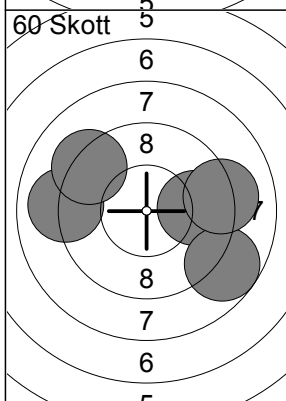
16:	9.4	↘
17:	10.3x	→
18:	10.1	↘
19:	9.4	↗
20:	9.7	↗
Serie		48.9
Total		191.3



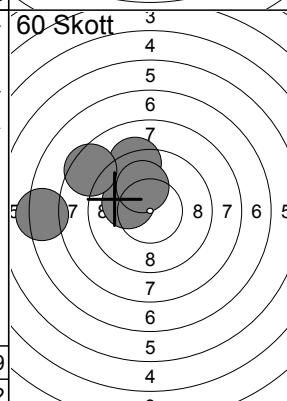
21:	9.2	←
22:	10.1	←
23:	8.3	→
24:	8.7	↗
25:	10.4x	↘
Serie		46.7
Total		238.0



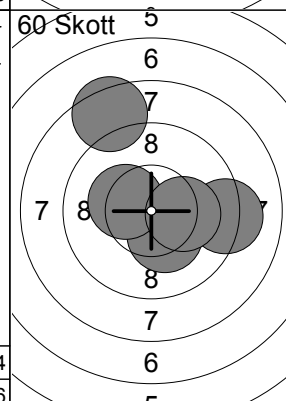
26:	9.8	↗
27:	10.4x	↗
28:	8.6	↗
29:	7.5	→
30:	10.0	↗
Serie		46.3
Total		284.3



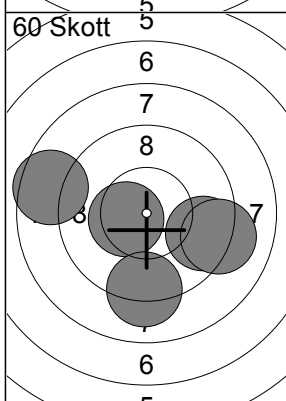
31:	9.8	→
32:	8.7	↘
33:	9.2	→
34:	9.0	←
35:	9.2	↗
Serie		45.9
Total		330.2



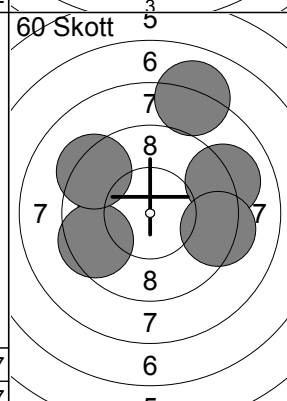
36:	7.3	←
37:	10.2x	←
38:	9.3	↗
39:	8.5	↗
40:	10.1	↗
Serie		45.4
Total		375.6



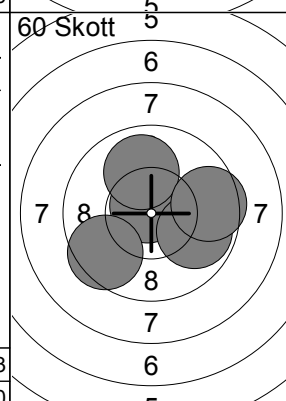
41:	8.4	↗
42:	10.3x	↘
43:	9.2	→
44:	10.3x	←
45:	10.2x	→
Serie		48.4
Total		424.0



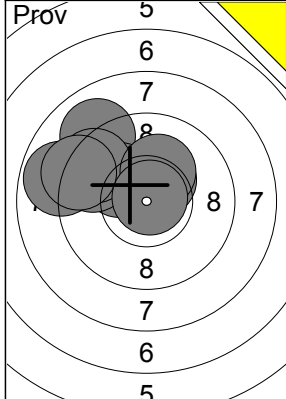
46:	9.5	→
47:	10.4x	←
48:	9.1	→
49:	9.1	↘
50:	8.6	←
Serie		46.7
Total		470.7



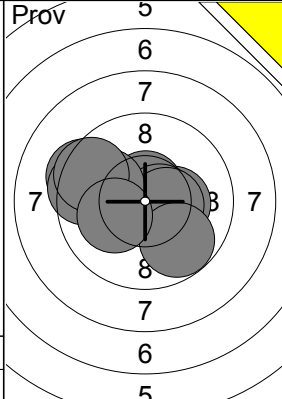
51:	8.1	↗
52:	9.1	→
53:	9.5	←
54:	9.3	↗
55:	9.3	→
Serie		45.3
Total		516.0



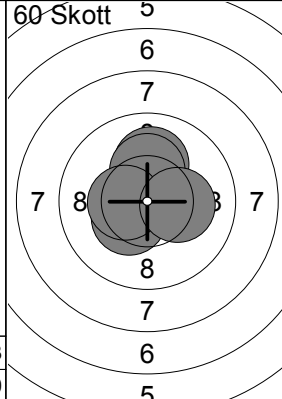
56:	10.7x	↗
57:	10.0	↗
58:	9.8	→
59:	9.6	→
60:	9.5	↘
Serie		49.6
Total		565.6



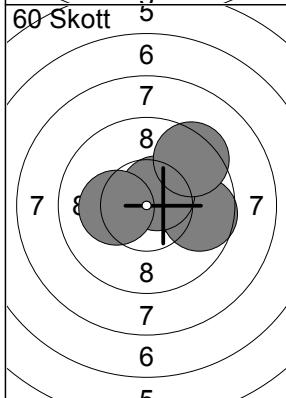
1:	9.0	↗
2:	10.3x	↗
3:	10.4x	↗
4:	10.1	↗
5:	9.5	↗
6:	9.4	↗
7:	8.8	↖
8:	10.2x	↗
9:	9.2	↖
10:	10.8x	↗
Serie		97.7
Total		0.0



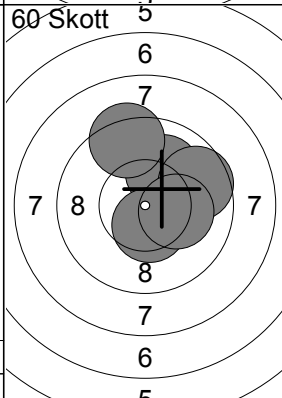
11:	10.3x	→
12:	10.6x	↑
13:	9.4	↖
14:	9.5	↖
15:	10.6x	→
16:	10.4x	→
17:	10.0	↖
18:	9.5	↗
19:	9.8	↘
20:	10.2x	↖
Serie		100.3
Total		0.0



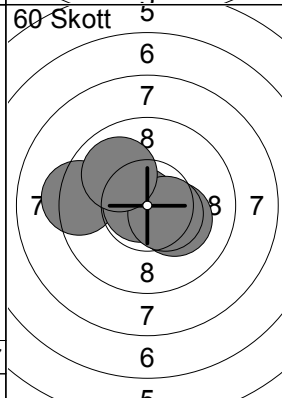
1:	10.1	↑
2:	10.4x	↙
3:	10.2x	↑
4:	10.4x	←
5:	10.2x	→
Serie		51.3
Total		51.3



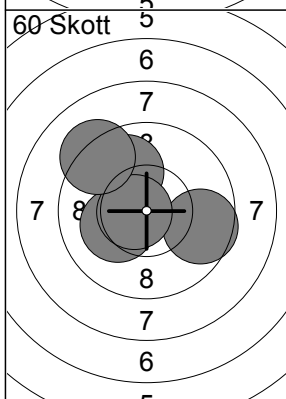
6:	10.2x	→
7:	9.7	→
8:	10.6x	↗
9:	9.4	↗
10:	10.2x	←
Serie		50.1
Total		101.4



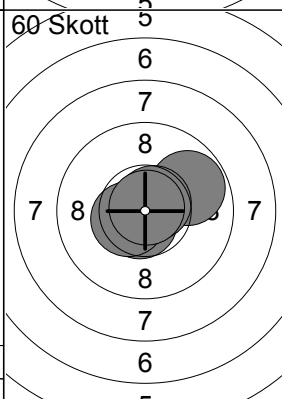
11:	10.0	↗
12:	9.4	↑
13:	9.6	→
14:	10.5x	↘
15:	10.2x	→
Serie		49.7
Total		151.1



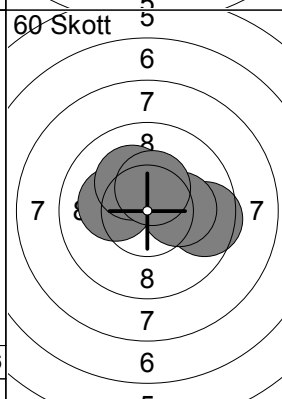
16:	9.3	←
17:	10.8x	←
18:	10.2x	→
19:	10.5x	→
20:	10.0	↗
Serie		50.8
Total		201.9



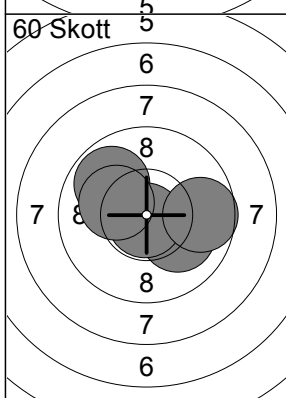
21:	9.6	→
22:	9.9	↗
23:	10.2x	↖
24:	10.7x	←
25:	9.2	↗
Serie		49.6
Total		251.5



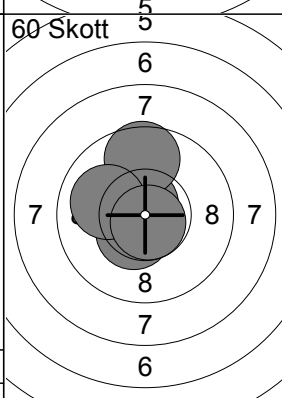
26:	9.8	→
27:	10.7x	↘
28:	10.7x	↗
29:	10.5x	↖
30:	10.9x	↗
Serie		52.6
Total		304.1



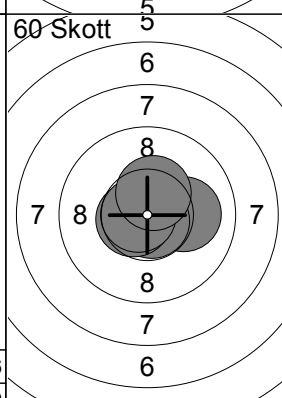
31:	9.6	→
32:	10.2x	→
33:	10.2x	↖
34:	10.2x	↗
35:	10.4x	↑
Serie		50.6
Total		354.7



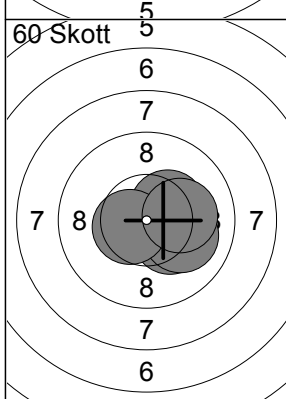
36:	9.8	↗
37:	10.1	↘
38:	10.8x	↘
39:	10.2x	↖
40:	9.7	→
Serie		50.6
Total		405.3



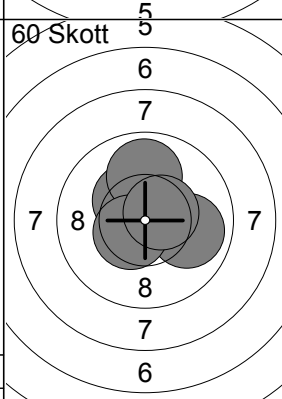
41:	10.7x	↗
42:	10.5x	↘
43:	9.6	↑
44:	10.0	↖
45:	10.8x	↘
Serie		51.6
Total		456.9



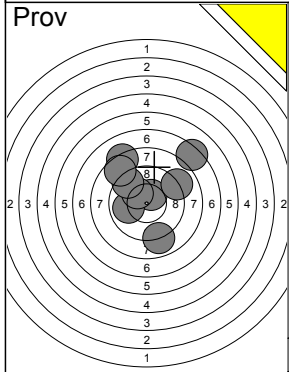
46:	10.1	→
47:	10.8x	↘
48:	10.6x	←
49:	10.7x	←
50:	10.4x	↑
Serie		52.6
Total		509.5



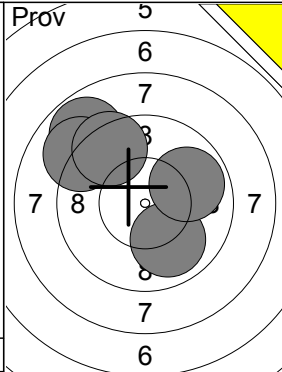
51:	10.3x	↘
52:	10.1	↘
53:	10.4x	↗
54:	10.5x	↖
55:	10.1	→
Serie		51.4
Total		560.9



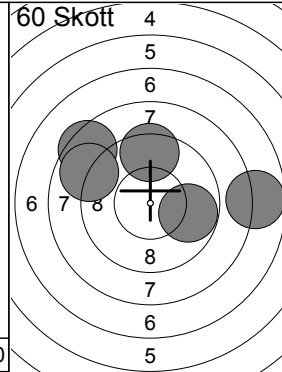
56:	10.4x	↖
57:	9.9	↑
58:	9.9	→
59:	10.5x	↖
60:	10.5x	↗
Serie		51.2
Total		612.1



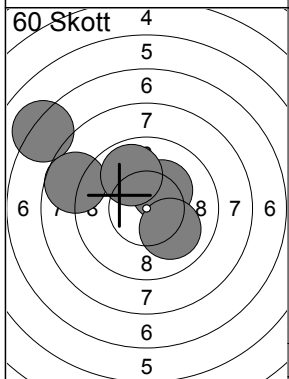
1:	10.4x	↗
2:	9.9	←
3:	7.3	↗
4:	8.2	↗
5:	10.2x	↗
6:	8.9	↘
7:	0.0	↗
8:	9.4	↗
9:	9.0	↗
10:	8.6	↗
Serie		81.9
Total		0.0



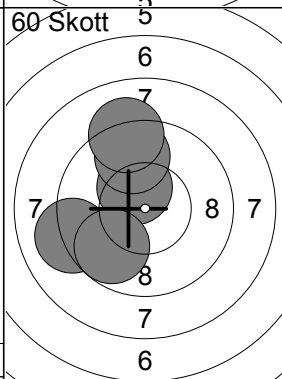
5:	6	
6:	6	
7:	7	
8:	8	
9:	8	
10:	7	
Serie		47.0
Total		0.0



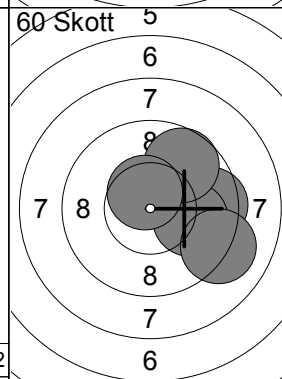
11:	8.8	↗
12:	9.9	↘
13:	9.9	↗
14:	9.0	↗
15:	9.4	↗
Serie		44.4
Total		44.4



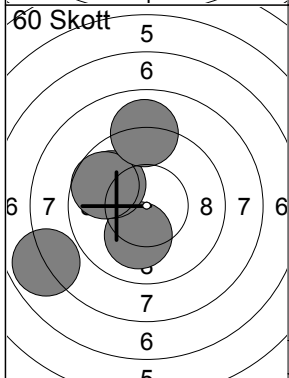
6:	10.3x	↗
7:	7.2	↗
8:	8.7	↗
9:	9.9	↗
10:	10.0	↘
Serie		46.1
Total		90.5



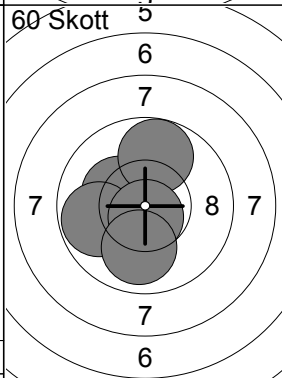
6:	6	
7:	7	
8:	8	
9:	8	
10:	7	
Serie		48.2
Total		138.7



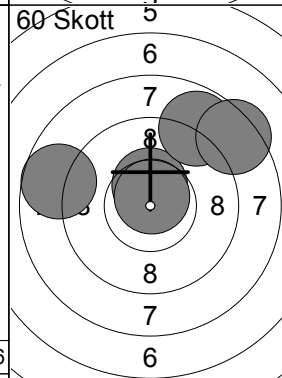
11:	10.4x	↗
12:	9.7	↗
13:	9.2	↗
14:	9.1	←
15:	9.8	↘
Serie		48.9
Total		187.6



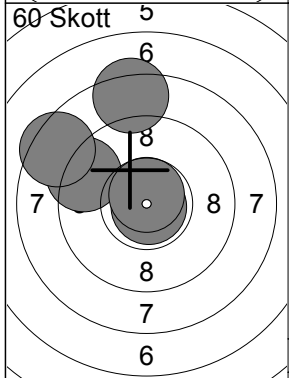
21:	10.1	↘
22:	9.9	↗
23:	9.7	↗
24:	7.9	←
25:	9.0	↗
Serie		46.6
Total		234.2



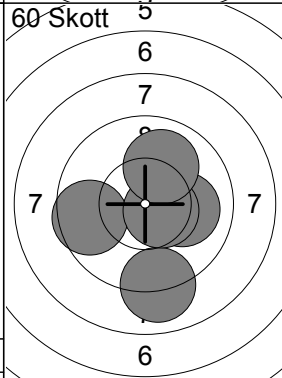
26:	10.3x	↘
27:	9.8	↗
28:	9.8	←
29:	10.7x	↘
30:	10.0	↘
Serie		50.6
Total		284.8



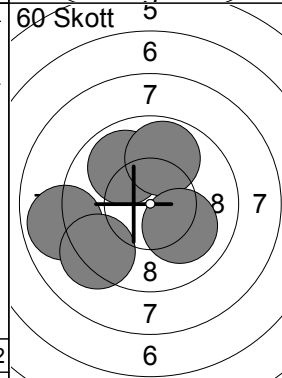
31:	10.5x	↗
32:	8.7	←
33:	8.8	↗
34:	10.7x	↗
35:	8.4	↗
Serie		47.1
Total		331.9



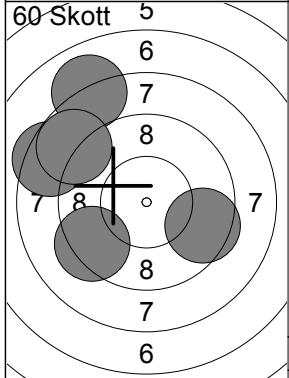
36:	8.4	↗
37:	9.3	↗
38:	10.9x	↘
39:	10.7x	↗
40:	8.5	↗
Serie		47.8
Total		379.7



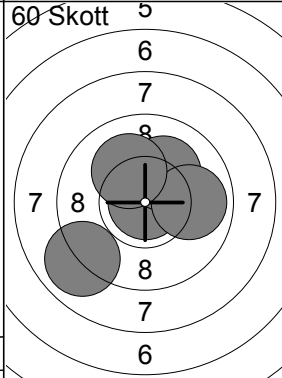
41:	10.1	→
42:	9.0	↘
43:	9.6	←
44:	10.5x	→
45:	10.0	↗
Serie		49.2
Total		428.9



46:	9.9	↗
47:	9.8	↗
48:	8.9	←
49:	9.3	↘
50:	10.1	↘
Serie		48.0
Total		476.9

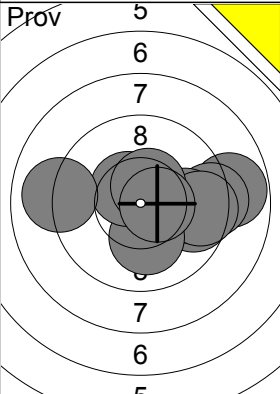
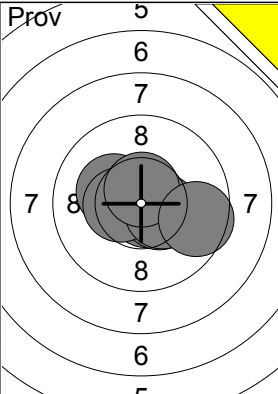
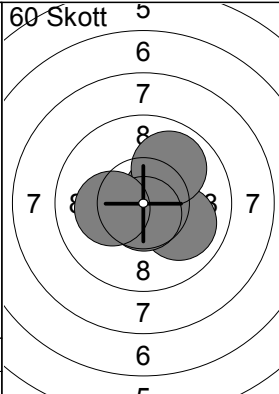
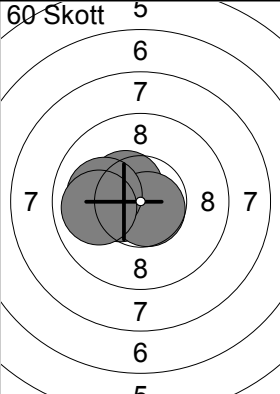
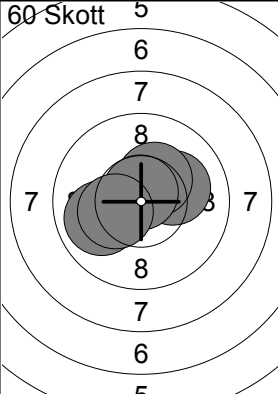
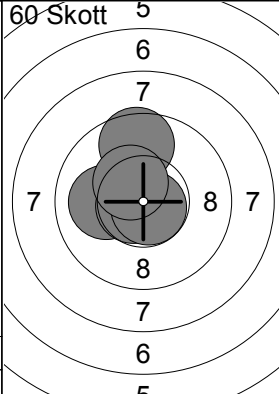
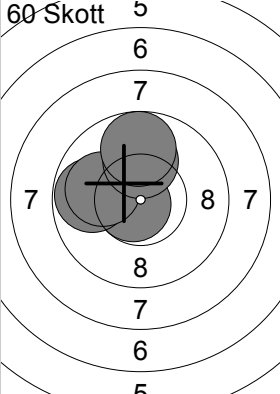
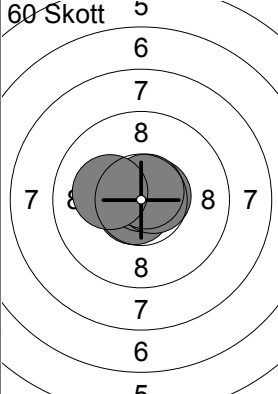
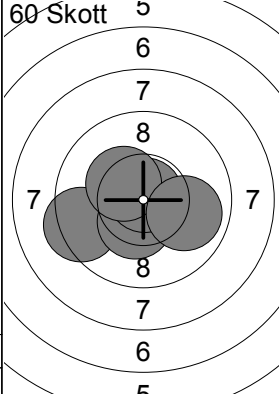
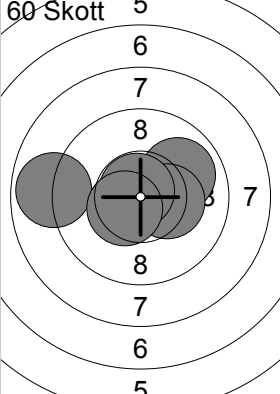
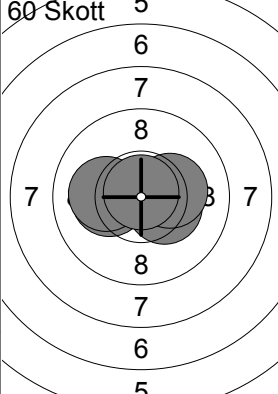
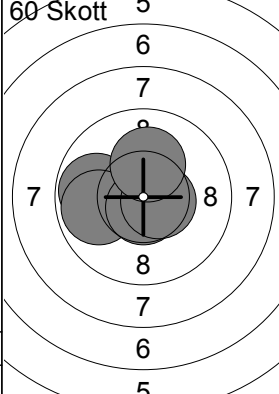
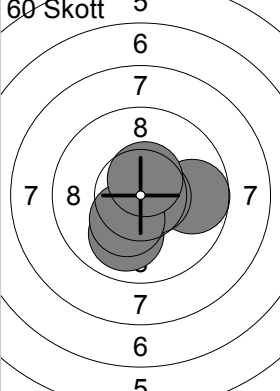
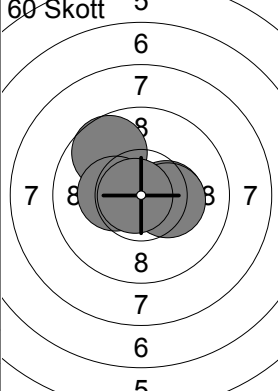


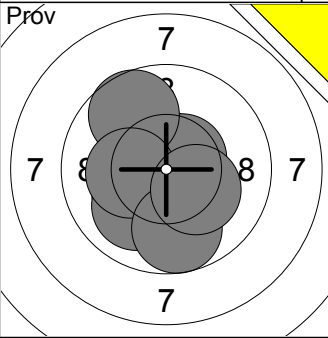
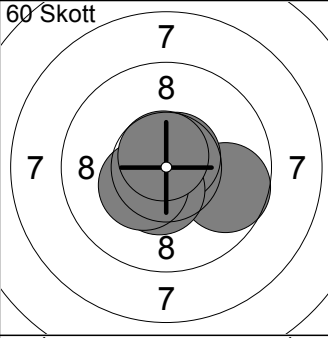
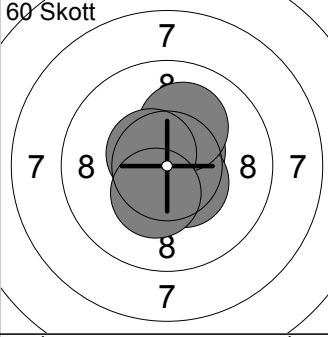
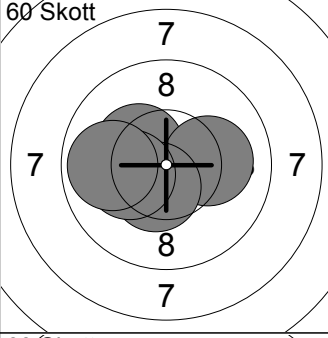
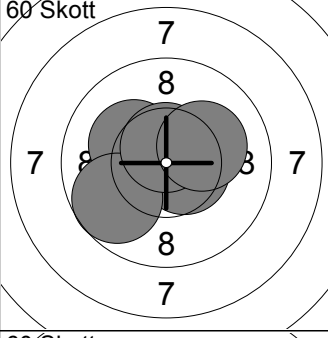
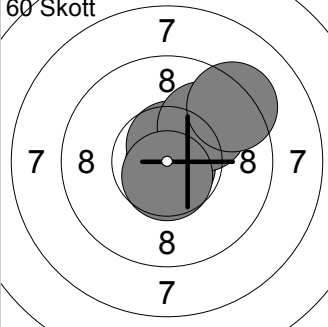
51:	8.0	↗
52:	9.5	↘
53:	8.4	↗
54:	8.8	↗
55:	9.3	←
Serie		44.0
Total		520.9

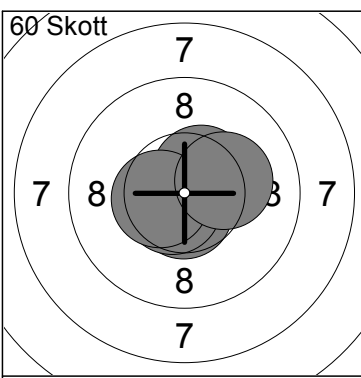


56:	10.9x	→
57:	10.1	↗
58:	8.9	↘
59:	9.9	→
60:	10.1	↗
Serie		49.9
Total		570.8

10m Söderala 20 Gä

01.11.2015		Vindelnskottet 2015		Ramselefors SKF	
Prov 5 	1: 8.8 → 2: 9.3 → 3: 9.7 → 4: 9.9 → 5: 9.5 → 6: 10.1 ↓ 7: 10.5x ↗ 8: 10.5x ↗ 9: 10.6x → 10: 9.0 ← Serie 97.9 Total 0.0	Prov 5 	11: 10.7x ↘ 12: 10.2x ↗ 13: 10.5x → 14: 10.5x ← 15: 10.4x → 16: 10.6x ↑ 17: 9.6 → Serie 72.5 Total 0.0	60 Skott 5 	1: 10.5x → 2: 10.0 → 3: 9.9 ↗ 4: 10.7x ↓ 5: 10.2x ← Serie 51.3 Total 51.3
60 Skott 5 	6: 10.5x ← 7: 10.5x ↗ 8: 10.7x ↘ 9: 10.1 ← 10: 10.0 ← Serie 51.8 Total 103.1	60 Skott 5 	11: 10.1 → 12: 10.3x ↗ 13: 10.7x ↑ 14: 9.9 ← 15: 10.3x ← Serie 51.3 Total 154.4	60 Skott 5 	16: 10.1 ← 17: 10.7x ← 18: 10.8x ↘ 19: 9.6 ↑ 20: 10.4x ↗ Serie 51.6 Total 206.0
60 Skott 5 	21: 10.7x ← 22: 9.8 ← 23: 10.0 ← 24: 10.0 ↑ 25: 9.7 ↑ Serie 50.2 Total 256.2	60 Skott 5 	26: 10.7x ↘ 27: 10.8x ↑ 28: 10.6x → 29: 10.7x ↗ 30: 10.2x ← Serie 53.0 Total 309.2	60 Skott 5 	31: 9.4 ← 32: 10.4x ↓ 33: 10.8x ↑ 34: 10.3x ↗ 35: 9.9 → Serie 50.8 Total 360.0
60 Skott 5 	36: 9.9 ↗ 37: 10.3x → 38: 8.9 ← 39: 10.8x ↗ 40: 10.5x ← Serie 50.4 Total 410.4	60 Skott 5 	41: 10.2x ← 42: 10.3x → 43: 10.1 ← 44: 10.2x → 45: 10.8x ↑ Serie 51.6 Total 462.0	60 Skott 5 	46: 9.8 ← 47: 9.9 ← 48: 10.7x ↓ 49: 10.6x → 50: 10.2x ↑ Serie 51.2 Total 513.2
60 Skott 5 	51: 10.0 ↓ 52: 9.7 → 53: 10.6x → 54: 10.3x ↓ 55: 10.6x ↗ Serie 51.2 Total 564.4	60 Skott 5 	56: 9.7 ↗ 57: 10.4x → 58: 10.3x → 59: 10.3x ← 60: 10.8x ← Serie 51.5 Total 615.9		

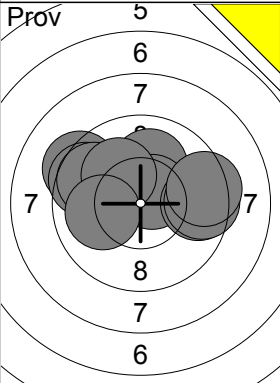
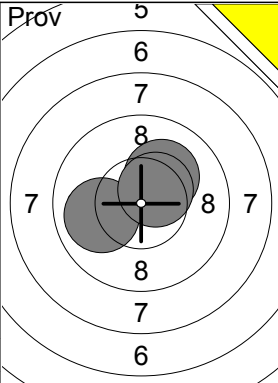
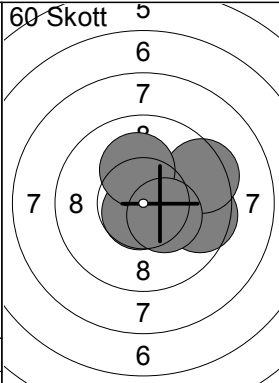
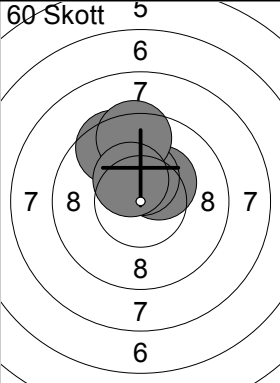
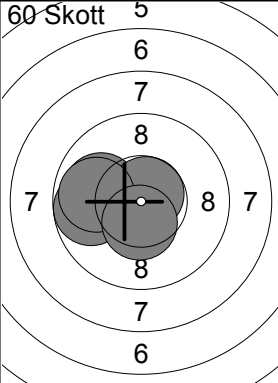
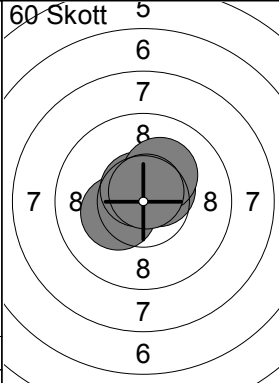
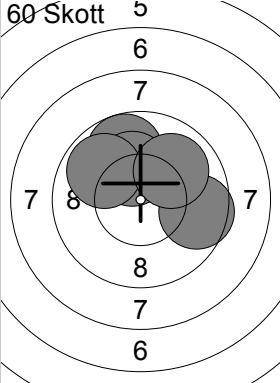
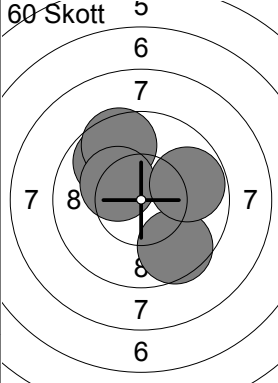
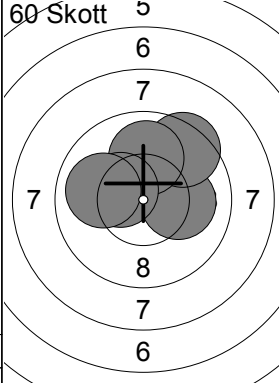
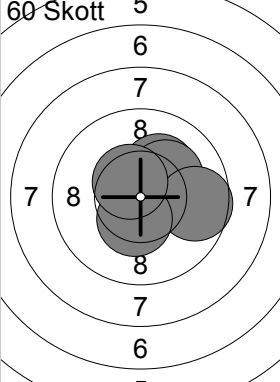
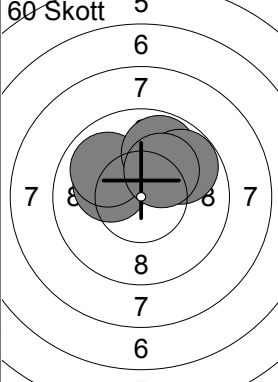
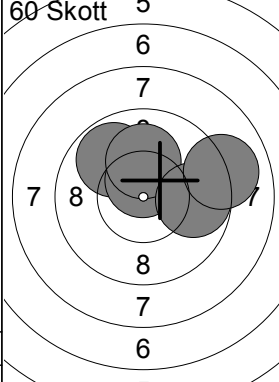

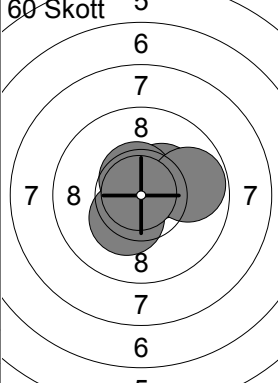
10m		Fältjägarna	Sen	Jä
01.11.2015		Vindelnskottet 2015	Ramselefors SKF	
Pröv		1: 10.2x ↖ 2: 10.6x ↗ 3: 10.9x ↘ 4: 10.2x ↙ 5: 10.0 6: 10.6x ↗ 7: 9.7 ↘ 8: 10.2x ↙ 9: 9.8 ↘ 10: 10.2x ↙	60 Skott	1: 9.9 ↗ 2: 10.2x ↘ 3: 10.6x ↙ 4: 10.2x ↗ 5: 10.2x →
		Serie 102.4		Serie 51.1
		Total 0.0		Total 51.1
60 Skott		6: 9.7 ↗ 7: 10.7x ↘ 8: 10.5x ↙ 9: 10.4x ↘ 10: 10.7x ↗	60 Skott	11: 10.3x ↗ 12: 10.2x → 13: 10.5x ↗ 14: 10.0 ↘ 15: 10.6x ↙
		Serie 52.0		Serie 51.6
		Total 103.1		Total 154.7
60 Skott		16: 10.6x ↗ 17: 10.5x ↘ 18: 10.1 ↗ 19: 10.6x ↘ 20: 10.4x ↘	60 Skott	21: 10.0 ↙ 22: 10.4x ↘ 23: 10.0 ↙ 24: 9.4 ↘ 25: 10.0 ↙
		Serie 52.2		Serie 49.8
		Total 206.9		Total 256.7
60 Skott		26: 10.3x ↖ 27: 10.1 → 28: 10.5x ↘ 29: 10.2x ↙ 30: 9.9 ↙	60 Skott	31: 10.5x ↗ 32: 10.5x ↘ 33: 10.5x → 34: 10.3x ↙ 35: 10.1 ↗
		Serie 51.0		Serie 51.9
		Total 307.7		Total 359.6
60 Skott		36: 10.2x ↖ 37: 10.6x ↘ 38: 9.7 ↙ 39: 10.7x ↗ 40: 10.2x →	60 Skott	41: 10.7x ↗ 42: 10.3x → 43: 10.4x ↗ 44: 10.6x ↙ 45: 10.9x ↗
		Serie 51.4		Serie 52.9
		Total 411.0		Total 463.9
60 Skott		46: 10.8x ↘ 47: 10.6x ↗ 48: 10.0 ↗ 49: 10.7x ↘ 50: 9.3 ↗	60 Skott	51: 9.7 ↘ 52: 10.2x ↙ 53: 10.0 ↙ 54: 9.6 ↘ 55: 10.5x ↘
		Serie 51.4		Serie 50.0
		Total 515.3		Total 565.3



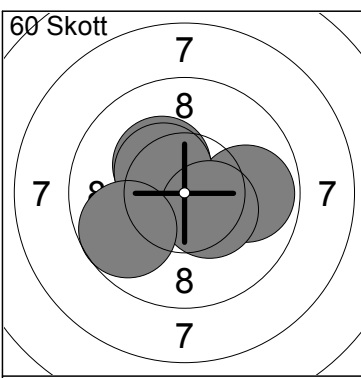
56:	10.6x	↓
57:	10.6x	↙
58:	10.5x	↗
59:	10.5x	←
60:	10.2x	→

Serie	52.4
Total	617.7

Skjutlag 3 Tavla 9 **Jörgen Pålsson**

10m		Umeå			Sen		Vb	
01.11.2015		Vindelnskottet 2015			Ramselefors SKF			
Prov 5 	1: 9.3 ↖ 2: 9.5 ↖ 3: 10.1 ↗ 4: 9.7 ↗ 5: 10.6x ↗ 6: 9.6 → 7: 10.1 ↗ 8: 9.5 → 9: 9.4 → 10: 10.0 ←	Serie 97.8 Total 0.0	Prov 5 	11: 10.0 ← 12: 10.1 ↗ 13: 10.5x ↗	Serie 30.6 Total 0.0	60 Skott 5 	1: 9.6 → 2: 10.7x ↓ 3: 9.4 → 4: 10.1 ↑ 5: 10.4x →	Serie 50.2 Total 50.2
60 Skott 5 	6: 9.5 ↗ 7: 10.3x ↗ 8: 10.4x ↑ 9: 9.4 ↑ 10: 10.4x ↗	Serie 50.0 Total 100.2	60 Skott 5 	11: 10.0 ← 12: 9.8 ← 13: 10.7x ↗ 14: 9.9 ← 15: 10.5x ↓	Serie 50.9 Total 151.1	60 Skott 5 	16: 10.3x ← 17: 10.6x ↑ 18: 10.5x ↗ 19: 10.2x ↗ 20: 10.7x ↑	Serie 52.3 Total 203.4
60 Skott 5 	21: 9.7 ↗ 22: 10.2x ↑ 23: 9.8 ↗ 24: 9.6 → 25: 10.0 ↗	Serie 49.3 Total 252.7	60 Skott 5 	26: 9.6 ↓ 27: 9.8 ↗ 28: 9.6 ↗ 29: 10.3x ↗ 30: 9.8 →	Serie 49.1 Total 301.8	60 Skott 5 	31: 10.1 → 32: 9.4 ↗ 33: 10.0 ↑ 34: 10.4x ← 35: 10.0 ←	Serie 49.9 Total 351.7
60 Skott 5 	36: 10.2x ↗ 37: 10.2x ↗ 38: 9.6 → 39: 10.4x ↓ 40: 10.5x ↗	Serie 50.9 Total 402.6	60 Skott 5 	41: 10.2x ← 42: 9.9 ↗ 43: 9.8 ↗ 44: 9.8 ↗ 45: 10.2x ↗	Serie 49.9 Total 452.5	60 Skott 5 	46: 9.8 ↖ 47: 10.5x ↑ 48: 10.1 ↑ 49: 9.8 → 50: 9.0 →	Serie 49.2 Total 501.7
60 Skott 5 	51: 9.1 → 52: 10.3x → 53: 9.9 ↖ 54: 10.6x ↗ 55: 10.1 ↗	Serie 50.0 Total 551.7	60 Skott 5 	56: 10.4x ↗ 57: 10.3x ↓ 58: 10.6x ↑ 59: 9.8 → 60: 10.9x ↗	Serie 52.0 Total 603.7			

10m		Söderala	17	Gä	
01.11.2015		Vindelnskottet 2015		Ramselefors SKF	
Pröv		1: 8.9 2: 8.7 3: 9.8 4: 10.7x 5: 10.2x 6: 10.1 7: 9.9 8: 8.9 9: 10.1 10: 9.9	60 Skott		1: 9.9 2: 10.5x 3: 9.7 4: 10.5x 5: 10.1
		Serie 97.2 Total 0.0			Serie 50.7 Total 50.7
60 Skott		6: 10.0 7: 10.2x 8: 10.2x 9: 10.5x 10: 10.3x	60 Skott		11: 9.8 12: 10.7x 13: 10.3x 14: 10.6x 15: 10.5x
		Serie 51.2 Total 101.9			Serie 51.9 Total 153.8
60 Skott		16: 9.4 17: 9.9 18: 9.9 19: 10.2x 20: 10.9x	60 Skott		21: 10.3x 22: 10.3x 23: 10.3x 24: 10.0 25: 10.6x
		Serie 50.3 Total 204.1			Serie 51.5 Total 255.6
60 Skott		26: 10.8x 27: 10.7x 28: 10.4x 29: 10.2x 30: 9.9	60 Skott		31: 9.7 32: 10.8x 33: 10.0 34: 9.9 35: 10.0
		Serie 52.0 Total 307.6			Serie 50.4 Total 358.0
60 Skott		36: 10.6x 37: 10.6x 38: 10.7x 39: 8.1 40: 10.2x	60 Skott		41: 10.5x 42: 8.6 43: 10.5x 44: 10.3x 45: 9.9
		Serie 50.2 Total 408.2			Serie 49.8 Total 458.0
60 Skott		46: 10.5x 47: 10.4x 48: 10.0 49: 9.8 50: 9.1	60 Skott		51: 10.7x 52: 10.0 53: 10.3x 54: 10.3x 55: 10.0
		Serie 49.8 Total 507.8			Serie 51.3 Total 559.1

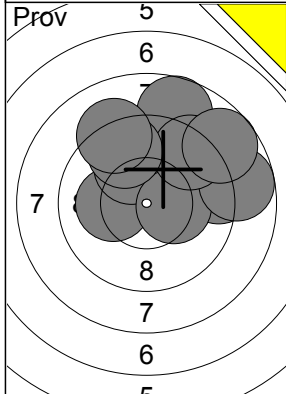


56:	10.3x	↗
57:	9.8	→
58:	10.4x	↖
59:	10.4x	↓
60:	9.7	↙

Serie	50.6
Total	609.7

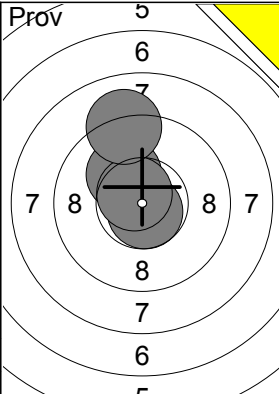
10m Ramselefors 20 Vb

01.11.2015 Vindelnskottet 2015 Ramselefors SKF



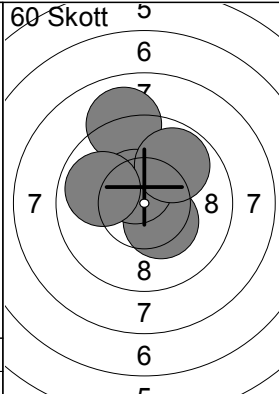
1: 10.2x ←
 2: 10.0 ↗
 3: 8.7 ↗
 4: 9.2 →
 5: 10.3x →
 6: 8.8 →
 7: 9.4 ↗
 8: 9.6 ↗
 9: 8.7 ↗
 10: 9.2 ↗

Serie 94.1
 Total 0.0



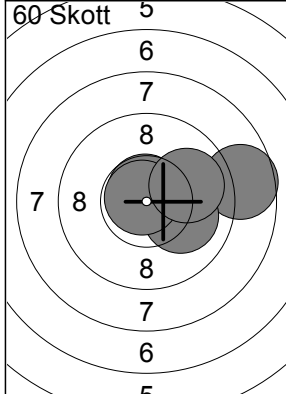
11: 10.7x ↓
 12: 10.1 ↗
 13: 10.7x ↗
 14: 9.1 ↗

Serie 40.6
 Total 0.0



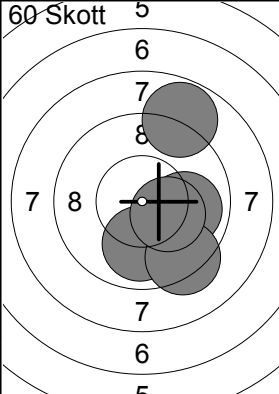
1: 10.4x ↘
 2: 9.0 ↗
 3: 10.5x ↗
 4: 9.8 ↗
 5: 9.9 ←

Serie 49.6
 Total 49.6



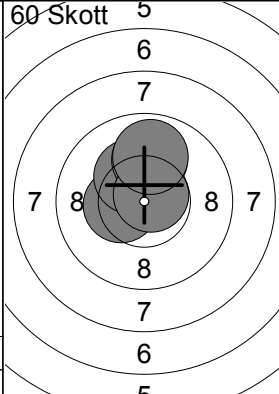
6: 10.7x ↗
 7: 8.7 →
 8: 10.1 ↘
 9: 10.8x ↗
 10: 9.9 →

Serie 50.2
 Total 99.8



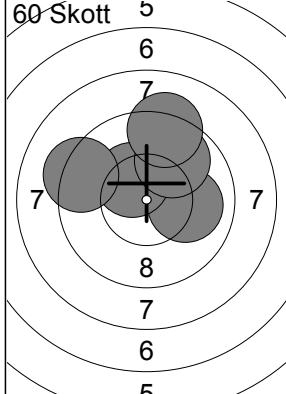
11: 9.9 →
 12: 9.9 ↓
 13: 9.3 ↘
 14: 8.8 ↗
 15: 10.3x →

Serie 48.2
 Total 148.0



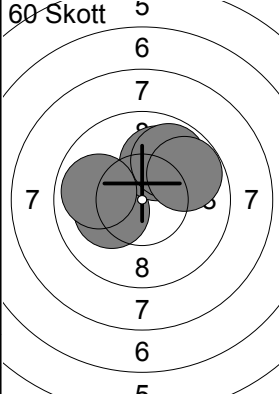
16: 10.4x ←
 17: 10.3x ↗
 18: 10.0 ↗
 19: 10.7x ↗
 20: 9.9 ↗

Serie 51.3
 Total 199.3



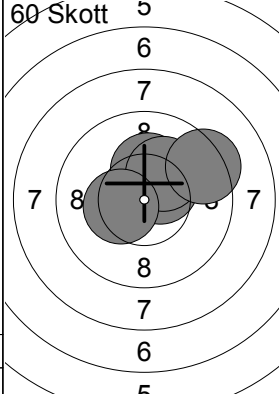
21: 10.0 →
 22: 10.4x ↗
 23: 9.3 ←
 24: 9.8 ↗
 25: 9.2 ↗

Serie 48.7
 Total 248.0



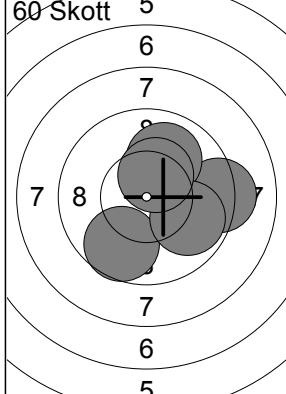
26: 10.2x ←
 27: 10.0 ↗
 28: 9.9 ←
 29: 9.8 ↗
 30: 9.8 →

Serie 49.7
 Total 297.7



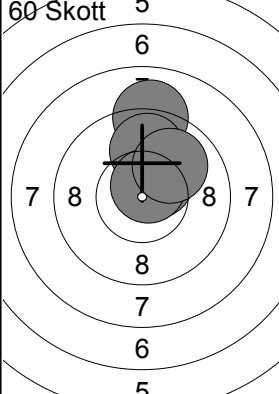
31: 10.5x ↗
 32: 10.2x ↗
 33: 10.2x ↗
 34: 9.3 ↗
 35: 10.4x ←

Serie 50.6
 Total 348.3



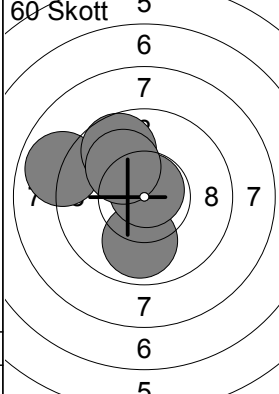
36: 9.2 →
 37: 9.7 ↘
 38: 10.0 ↗
 39: 9.9 →
 40: 10.4x ↗

Serie 49.2
 Total 397.5



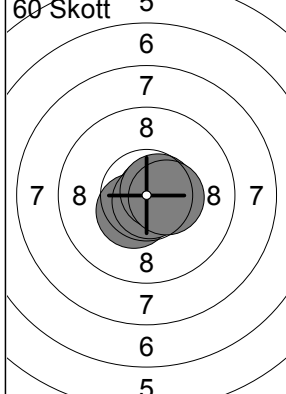
41: 9.1 ↗
 42: 10.4x ↗
 43: 9.9 ↗
 44: 10.6x ↗
 45: 10.0 ↗

Serie 50.0
 Total 447.5



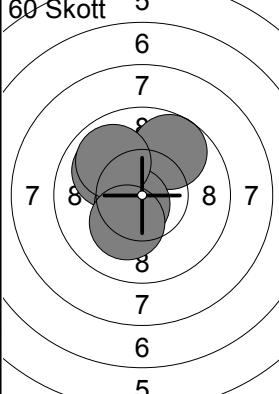
46: 9.9 ↓
 47: 8.9 ←
 48: 9.7 ↗
 49: 10.8x ↗
 50: 10.1 ↗

Serie 49.4
 Total 496.9



51: 10.8x →
 52: 10.5x ↘
 53: 10.8x ↘
 54: 10.7x →
 55: 10.5x →

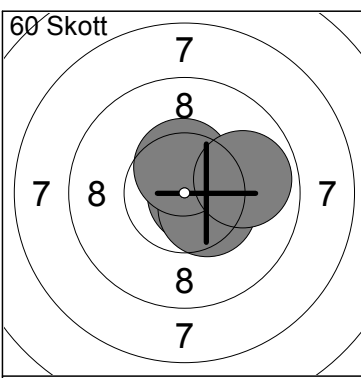
Serie 53.3
 Total 550.2



56: 9.7 ↗
 57: 10.0 ↗
 58: 10.6x ↘
 59: 9.9 ↗
 60: 10.2x ↘

Serie 50.4
 Total 600.6

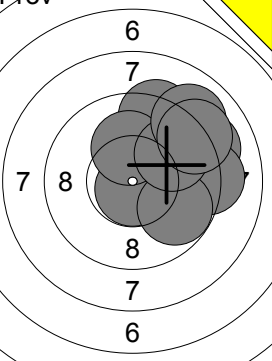
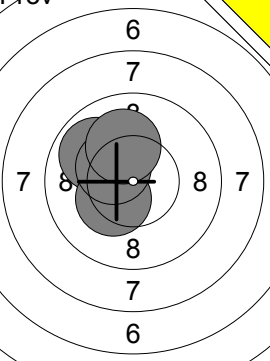
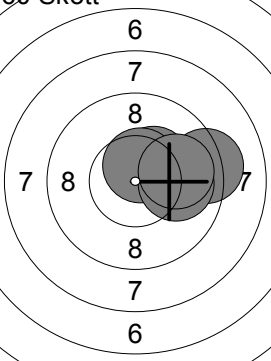
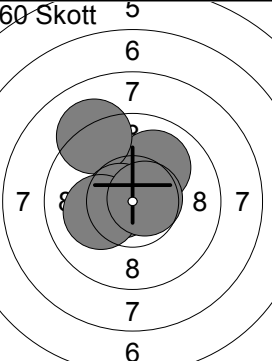
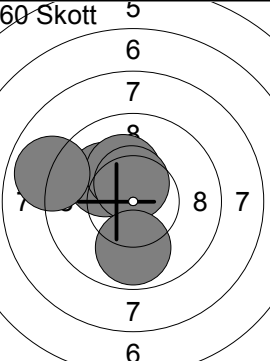
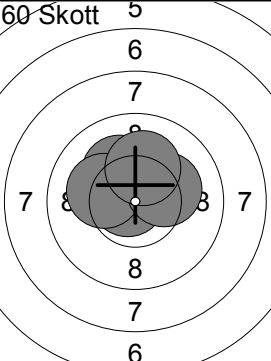
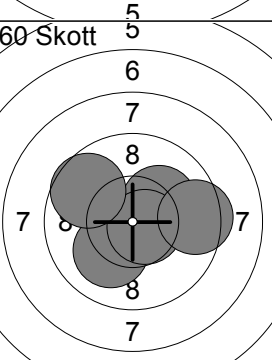
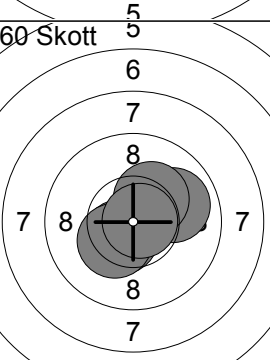
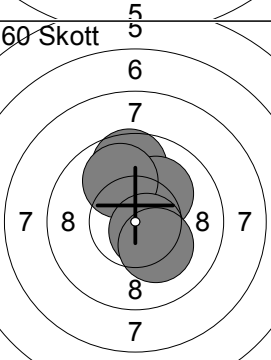
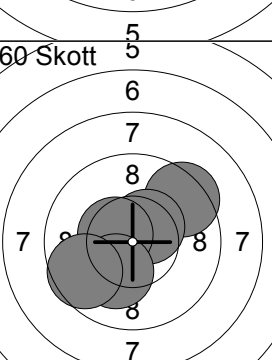
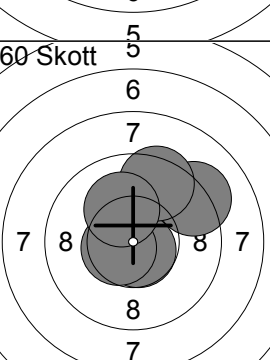
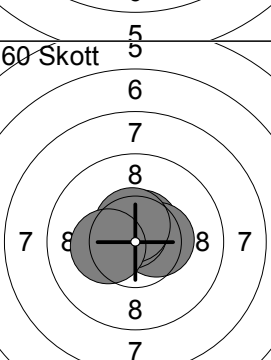
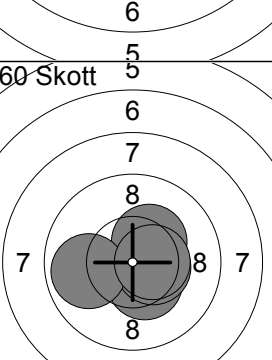
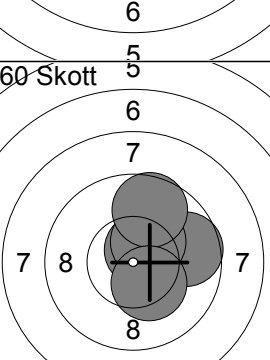
10m		Gefle Friv Skarp		Sen	Gä
01.11.2015		Vindelnskottet 2015		Ramselefors SKF	
Pröv		1: 10.4x 2: 9.8 3: 10.4x 4: 10.3x 5: 10.2x 6: 10.6x 7: 10.7x 8: 10.1 9: 10.7x 10: 10.7x	60 Skott		1: 10.3x 2: 9.9 3: 10.0 4: 10.1 5: 10.1
		Serie 103.9 Total 0.0		Serie 50.4 Total 50.4	
60 Skott		6: 10.0 7: 10.6x 8: 10.4x 9: 10.2x 10: 9.6	60 Skott		11: 9.7 12: 9.7 13: 10.8x 14: 10.5x 15: 10.7x
		Serie 50.8 Total 101.2		Serie 51.4 Total 152.6	
60 Skott		16: 10.7x 17: 10.5x 18: 10.4x 19: 8.9 20: 10.0	60 Skott		21: 10.8x 22: 10.3x 23: 10.4x 24: 10.5x 25: 10.2x
		Serie 50.5 Total 203.1		Serie 52.2 Total 255.3	
60 Skott		26: 10.9x 27: 10.3x 28: 10.2x 29: 10.0 30: 9.9	60 Skott		31: 10.4x 32: 10.8x 33: 10.5x 34: 10.1 35: 10.0
		Serie 51.3 Total 306.6		Serie 51.8 Total 358.4	
60 Skott		36: 10.7x 37: 9.8 38: 10.5x 39: 9.3 40: 10.1	60 Skott		41: 9.6 42: 9.5 43: 9.0 44: 9.5 45: 10.3x
		Serie 50.4 Total 408.8		Serie 47.9 Total 456.7	
60 Skott		46: 10.2x 47: 10.7x 48: 10.3x 49: 9.5 50: 10.6x	60 Skott		51: 9.8 52: 10.7x 53: 10.5x 54: 10.4x 55: 10.5x
		Serie 51.3 Total 508.0		Serie 51.9 Total 559.9	

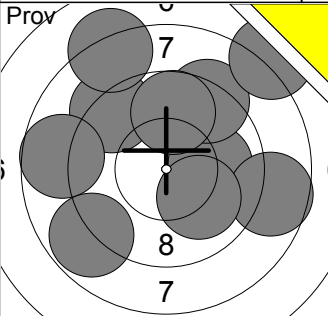
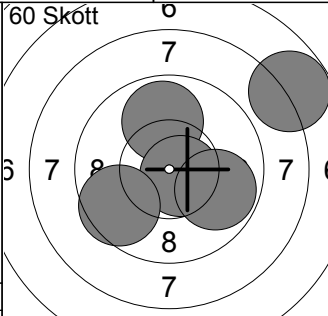
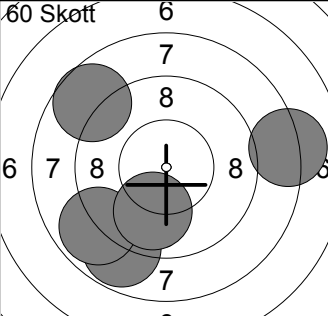
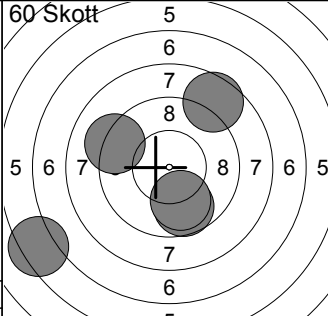
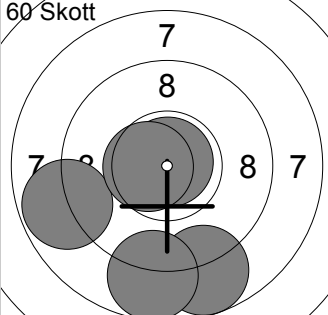
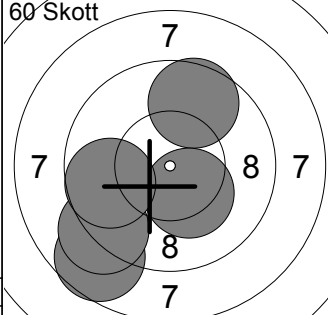
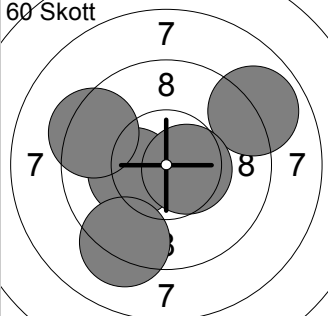
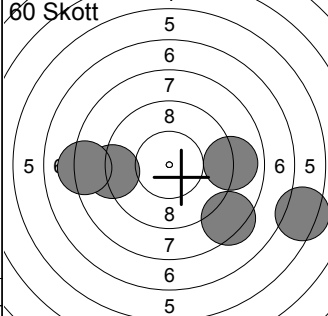
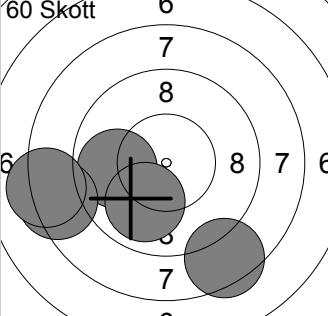
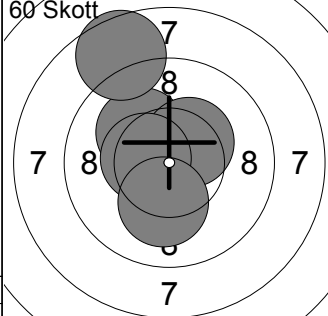
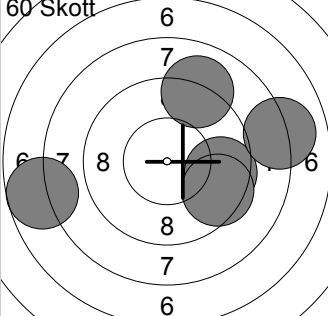
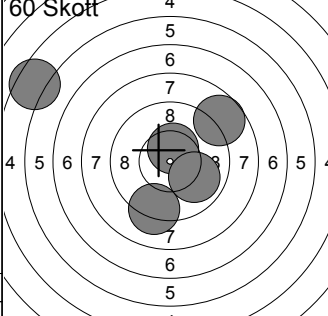


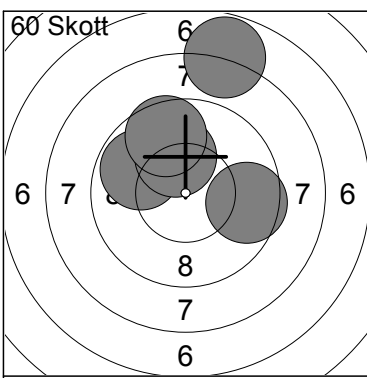
56:	10.5x	→
57:	10.7x	→
58:	10.5x	↘
59:	10.5x	↑
60:	9.9	→

Serie	52.1
Total	612.0

10m Ramselefors 20 Vb

01.11.2015		Vindelnskottet 2015		Ramselefors SKF	
Prov 5 	1: 10.8x ↓ 2: 9.3 ↑ 3: 9.6 → 4: 9.1 → 5: 9.2 → 6: 10.2x ↑ 7: 9.8 ↘ 8: 9.8 → 9: 9.0 ↗ 10: 9.1 → Serie 95.9 Total 0.0	Prov 5 	11: 9.9 ↖ 12: 10.3x ↙ 13: 10.4x ↗ 14: 10.1 ↑ Serie 40.7 Total 0.0	60 Skott 5 	1: 10.3x ↗ 2: 9.2 → 3: 10.6x ↑ 4: 10.0 → 5: 10.0 → Serie 50.1 Total 50.1
60 Skott 5 	6: 10.0 ↑ 7: 9.1 ↗ 8: 10.7x ← 9: 10.2x ← 10: 10.7x → Serie 50.7 Total 100.8	60 Skott 5 	11: 10.1 ↖ 12: 10.2x ↑ 13: 10.5x ↑ 14: 8.9 ← 15: 9.9 ↓ Serie 49.6 Total 150.4	60 Skott 5 	16: 10.8x ← 17: 10.2x ↗ 18: 10.2x ← 19: 10.2x → 20: 10.2x ↑ Serie 51.6 Total 202.0
60 Skott 5 	21: 10.1 ↙ 22: 10.2x → 23: 10.6x ↘ 24: 9.5 → 25: 9.7 ↗ Serie 50.1 Total 252.1	60 Skott 5 	26: 9.9 → 27: 10.5x ↙ 28: 10.3x ↙ 29: 10.3x ↗ 30: 10.8x → Serie 51.8 Total 303.9	60 Skott 5 	31: 9.6 ↑ 32: 10.1 ↗ 33: 9.9 ↗ 34: 10.6x ↘ 35: 10.2x ↘ Serie 50.4 Total 354.3
60 Skott 5 	36: 9.4 ↗ 37: 10.5x ↗ 38: 10.5x ← 39: 10.1 ↙ 40: 9.6 ← Serie 50.1 Total 404.4	60 Skott 5 	41: 9.2 ↗ 42: 10.7x ↘ 43: 10.6x ← 44: 9.5 ↑ 45: 10.1 ↑ Serie 50.1 Total 454.5	60 Skott 5 	46: 10.6x ↑ 47: 10.4x → 48: 10.7x ↗ 49: 10.5x ↑ 50: 10.3x ← Serie 52.5 Total 507.0
60 Skott 5 	51: 10.4x ↘ 52: 10.4x → 53: 10.3x ↗ 54: 9.9 ← 55: 10.5x → Serie 51.5 Total 558.5	60 Skott 5 	56: 10.6x ↗ 57: 9.7 → 58: 10.3x ↗ 59: 9.6 ↑ 60: 10.3x ↘ Serie 50.5 Total 609.0		

10m	Gefle Friv Skarp		20	Gä	
01.11.2015	Vindelnskottet 2015		Ramselefors SKF		
	1: 9.3 2: 10.0 3: 8.7 4: 8.8 5: 9.3 6: 8.7 7: 10.0 8: 8.2 9: 7.7 10: 9.7	↖ → ← ↖ ↗ → ↘ ↗ ↗ ↑		1: 9.9 2: 10.7x 3: 9.8 4: 9.6 5: 7.8	↑ → → ↖ ↗
	Serie 90.4		Serie 47.8		
	Total 0.0		Total 47.8		
	6: 8.8 7: 8.1 8: 8.9 9: 8.7 10: 9.9	↓ ↓ ↖ ↖ ↖ ↓		11: 8.6 12: 9.2 13: 9.7 14: 9.9 15: 6.4	↗ ↖ ↓ ↓ ↖
	Serie 44.4		Serie 43.8		
	Total 92.2		Total 136.0		
	16: 8.8 17: 10.9x 18: 8.8 19: 8.8 20: 10.6x	↓ ↑ ← ↓ ←		21: 8.7 22: 9.1 23: 9.6 24: 10.3x 25: 9.7	↓ ↖ ↖ ↗ ↖
	Serie 47.9		Serie 47.4		
	Total 183.9		Total 231.3		
	26: 10.3x 27: 9.2 28: 8.9 29: 9.4 30: 10.5x	← ↓ ↗ ↖ →		31: 8.9 32: 8.3 33: 9.1 34: 6.3 35: 8.2	→ ↓ ← → ←
	Serie 48.3		Serie 40.8		
	Total 279.6		Total 320.4		
	36: 9.8 37: 8.4 38: 8.2 39: 8.4 40: 10.0	← ← ← ↓ ↓		41: 10.1 42: 10.4x 43: 10.5x 44: 8.6 45: 10.1	↗ ↗ ← ↗ ↓
	Serie 44.8		Serie 49.7		
	Total 365.2		Total 414.9		
	46: 9.1 47: 9.6 48: 9.5 49: 8.0 50: 7.7	↗ → ↘ → ←		51: 9.2 52: 8.7 53: 10.5x 54: 9.9 55: 5.5	↓ ↗ ↑ → ↖
	Serie 43.9		Serie 43.8		
	Total 458.8		Total 502.6		



56: 9.8
 57: 10.1
 58: 9.6
 59: 7.8
 60: 9.6

←
 ↑
 →
 ↑
 ↑

Serie	46.9
Total	549.5

--	--

--

--

--

--

--

--

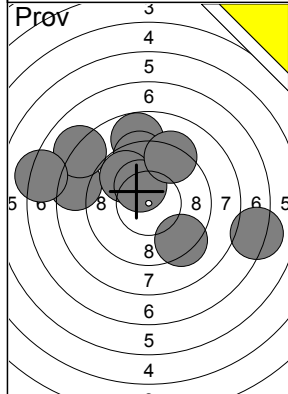
--

--

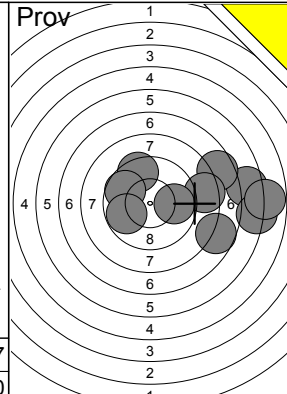
--

10m Gällivare 15S No

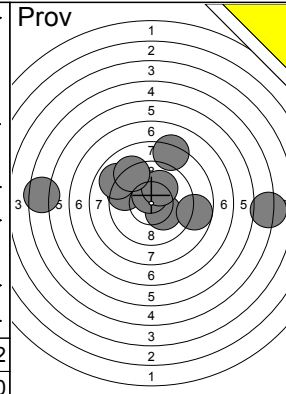
01.11.2015 Vindelnskottet 2015 Ramselefors SKF



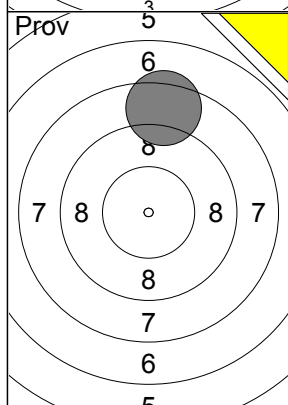
1:	8.8	↗
2:	8.4	↖
3:	9.4	↗
4:	9.3	↘
5:	8.1	↗
6:	9.8	↗
7:	10.3x	↗
8:	7.2	↘
9:	7.2	↖
10:	9.2	↗
Serie		87.7
Total		0.0



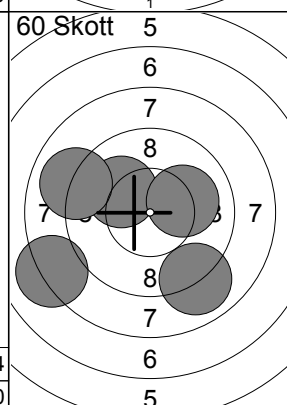
11:	6.5	→
12:	7.6	→
13:	9.5	↗
14:	7.7	↘
15:	9.7	↗
16:	6.2	→
17:	5.8	→
18:	9.8	↖
19:	8.5	→
20:	9.9	→
Serie		81.2
Total		0.0



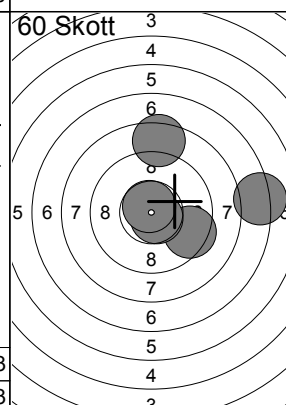
21:	9.5	↖
22:	10.2x	↘
23:	8.7	→
24:	10.5x	↗
25:	8.2	↗
26:	5.5	↖
27:	10.1	↗
28:	8.9	↗
29:	5.1	→
30:	9.2	↗
Serie		85.9
Total		0.0



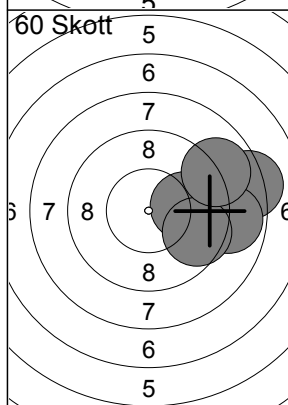
31:	8.4	↗
Serie		8.4
Total		0.0



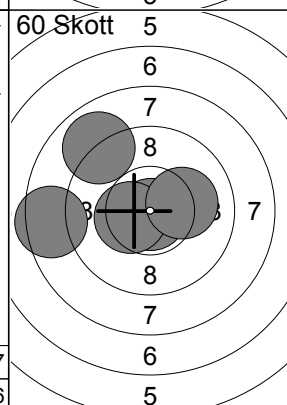
1:	10.1	↖
2:	8.1	↖
3:	9.0	↘
4:	10.1	→
5:	9.0	↖
Serie		46.3
Total		46.3



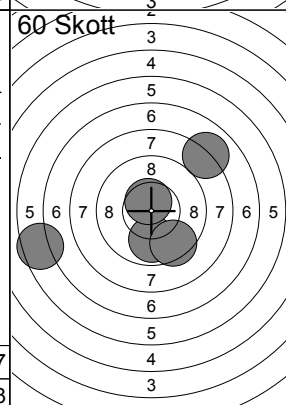
6:	9.5	↘
7:	8.5	↗
8:	10.7x	↘
9:	10.7x	↗
10:	7.2	→
Serie		46.6
Total		92.9



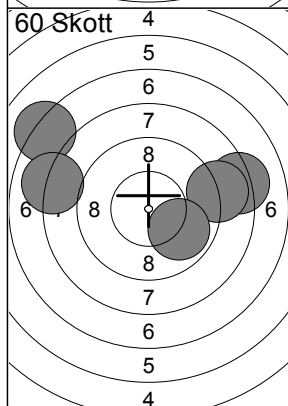
11:	10.0	→
12:	8.3	→
13:	8.9	→
14:	9.6	↘
15:	8.9	↗
Serie		45.7
Total		138.6



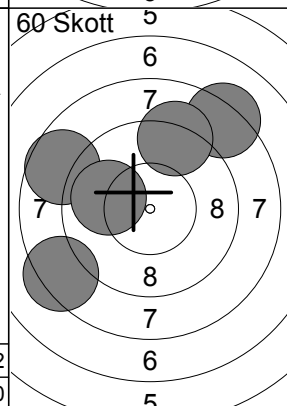
16:	8.9	↗
17:	10.8x	↘
18:	8.5	↖
19:	10.4x	↖
20:	10.1	→
Serie		48.7
Total		187.3



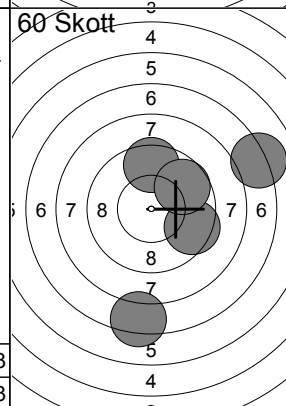
21:	9.9	↘
22:	9.5	↘
23:	8.0	↗
24:	6.5	↖
25:	10.6x	↗
Serie		44.5
Total		231.8



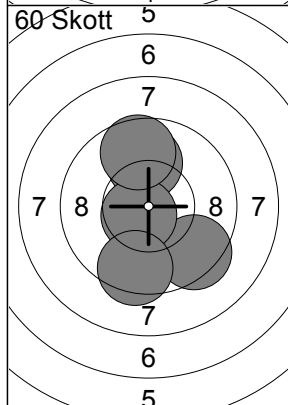
26:	7.2	↗
27:	8.2	→
28:	8.0	↖
29:	8.9	↗
30:	9.9	↘
Serie		42.2
Total		274.0



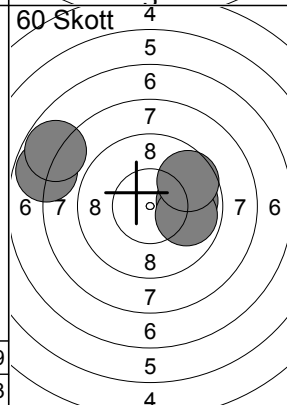
31:	8.7	↖
32:	9.9	↖
33:	8.3	↖
34:	8.2	↗
35:	9.2	↗
Serie		44.3
Total		318.3



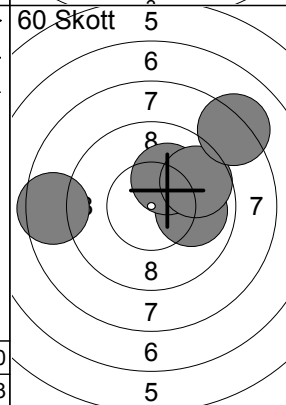
36:	9.5	↗
37:	7.3	↘
38:	7.1	→
39:	9.5	→
40:	9.7	↗
Serie		43.1
Total		361.4



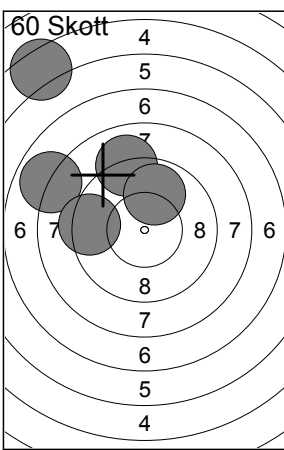
41:	9.4	↘
42:	9.9	↗
43:	10.6x	↖
44:	9.6	↗
45:	9.4	↘
Serie		48.9
Total		410.3



46:	9.9	→
47:	9.9	→
48:	7.8	↖
49:	9.6	↗
50:	7.8	↖
Serie		45.0
Total		455.3



51:	10.0	→
52:	10.2x	↗
53:	9.7	↗
54:	8.5	↖
55:	8.2	↗
Serie		46.6
Total		501.9

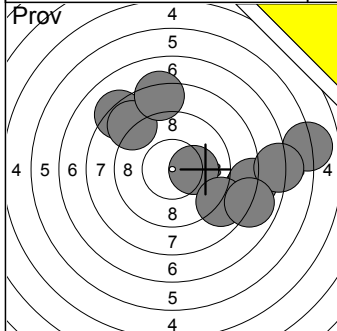


56:	7.9	↖
57:	9.4	←
58:	9.0	↗
59:	9.9	↗
60:	5.4	↖

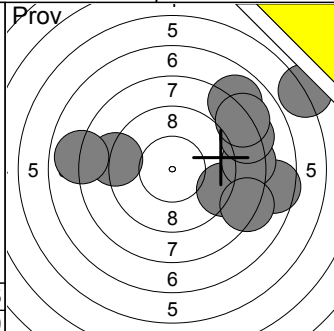
Serie	41.6
Total	543.5

10m Umeå 15S Vb

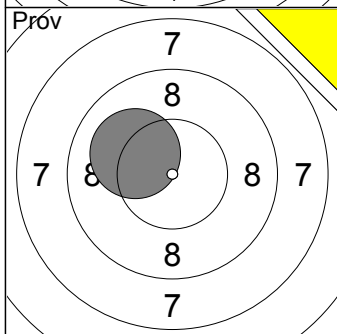
01.11.2015 Vindelnskottet 2015 Ramselefors SKF



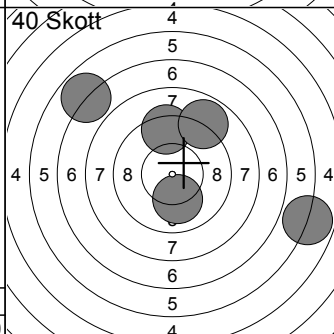
1:	8.1	→
2:	8.2	↗
3:	10.2x	→
4:	8.8	↗
5:	8.3	↗
6:	8.0	→
7:	6.0	→
8:	7.1	→
9:	8.9	↘
10:	7.9	↘
Serie	81.5	
Total	0.0	



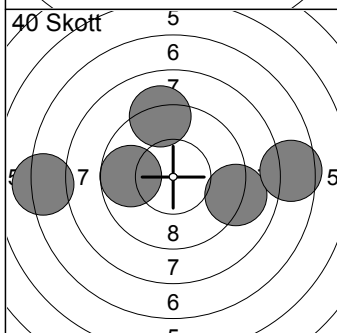
11:	7.5	→
12:	7.9	↗
13:	9.1	→
14:	8.4	→
15:	8.2	↗
16:	8.1	↗
17:	9.0	←
18:	5.8	↗
19:	7.9	←
20:	8.2	↘
Serie	80.1	
Total	0.0	



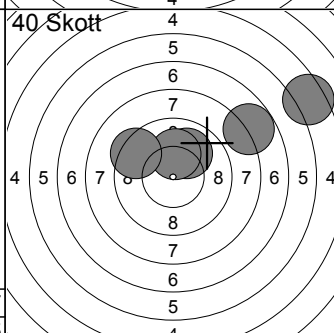
21:	10.1	←
Serie	10.1	
Total	0.0	



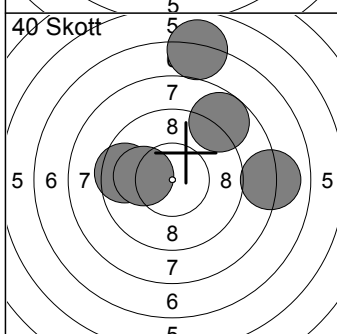
1:	9.3	↑
2:	6.8	↖
3:	8.9	↗
4:	10.0	↓
5:	5.8	→
Serie	40.8	
Total	40.8	



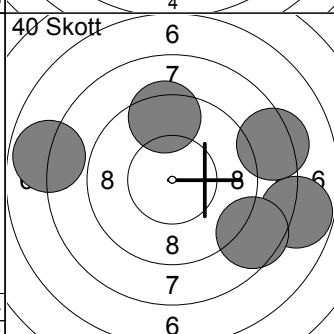
6:	9.7	←
7:	9.1	→
8:	7.2	←
9:	7.5	→
10:	9.2	↑
Serie	42.7	
Total	83.5	



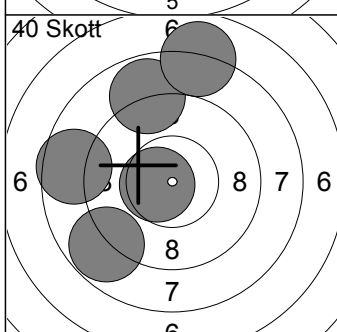
11:	10.0	↗
12:	10.1	↑
13:	7.8	↗
14:	5.4	↗
15:	9.4	↖
Serie	42.7	
Total	126.2	



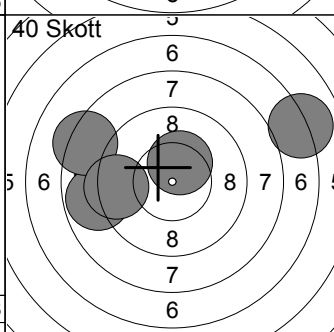
16:	9.5	←
17:	10.1	←
18:	8.8	↗
19:	8.0	→
20:	7.0	↑
Serie	43.4	
Total	169.6	



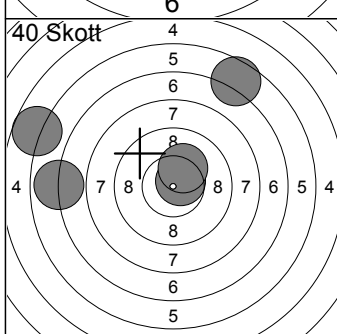
21:	7.9	←
22:	7.8	→
23:	9.4	↑
24:	8.3	→
25:	8.6	↘
Serie	42.0	
Total	211.6	



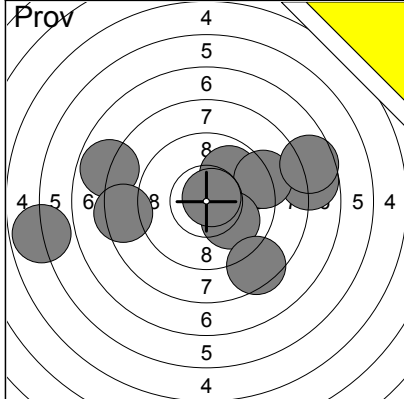
26:	10.6x	←
27:	8.8	↑
28:	8.6	←
29:	8.8	↖
30:	8.0	↑
Serie	44.8	
Total	256.4	



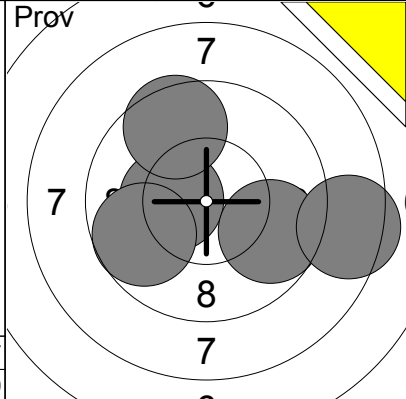
31:	10.4x	↑
32:	8.8	←
33:	7.0	↗
34:	8.3	↖
35:	9.4	←
Serie	43.9	
Total	300.3	



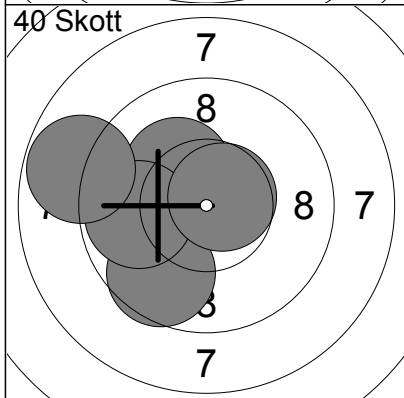
36:	6.9	←
37:	6.6	↗
38:	10.6x	↗
39:	10.2x	↗
40:	5.7	↖
Serie	40.0	
Total	340.3	



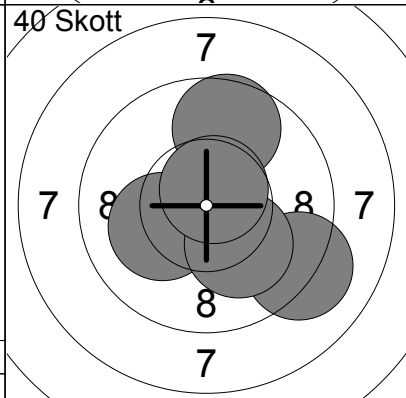
1:	9.9	↗
2:	7.8	→
3:	9.1	→
4:	10.0	↘
5:	5.8	←
6:	7.8	←
7:	7.6	→
8:	8.5	↘
9:	10.8x	↗
10:	8.4	←
Serie	85.7	
Total	0.0	



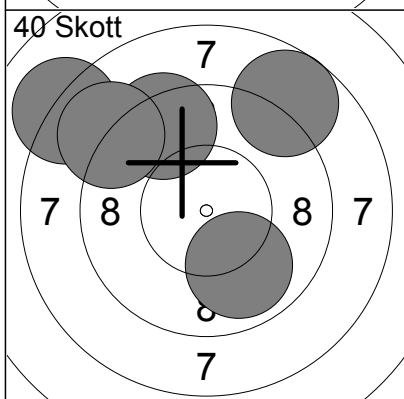
11:	10.3x	←
12:	9.7	↙
13:	9.6	↗
14:	9.7	→
15:	8.4	→
Serie	47.7	
Total	0.0	



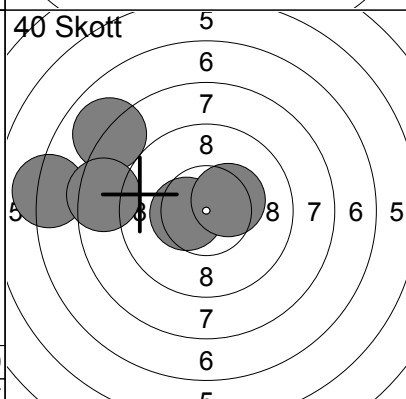
1:	9.6	↘
2:	10.2x	↗
3:	9.8	←
4:	10.7x	→
5:	8.8	←
Serie	49.1	
Total	49.1	



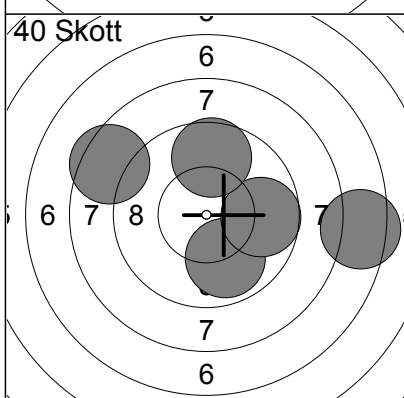
6:	10.1	↙
7:	9.1	→
8:	9.6	↑
9:	10.1	↘
10:	10.7x	↑
Serie	49.6	
Total	98.7	



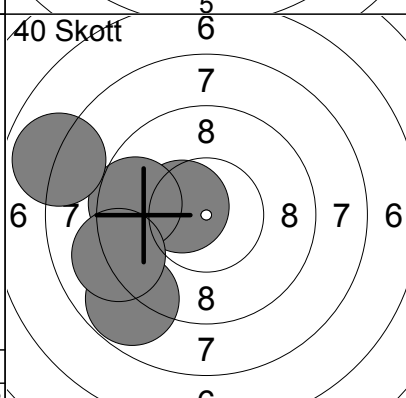
11:	8.1	↗
12:	9.4	↗
13:	9.9	↘
14:	8.9	↗
15:	8.7	↗
Serie	45.0	
Total	143.7	



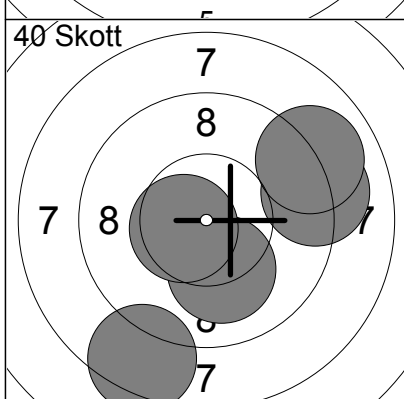
16:	10.5x	←
17:	8.0	↗
18:	10.4x	→
19:	7.1	←
20:	8.4	←
Serie	44.4	
Total	188.1	



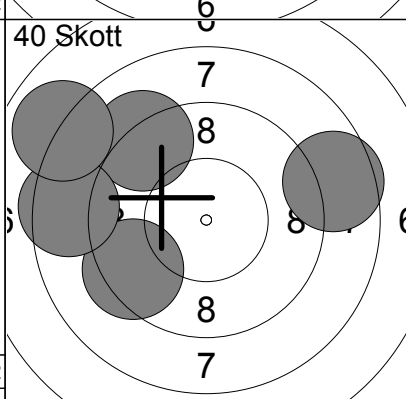
21:	9.9	↘
22:	7.4	→
23:	9.7	→
24:	8.5	↗
25:	9.6	↑
Serie	45.1	
Total	233.2	



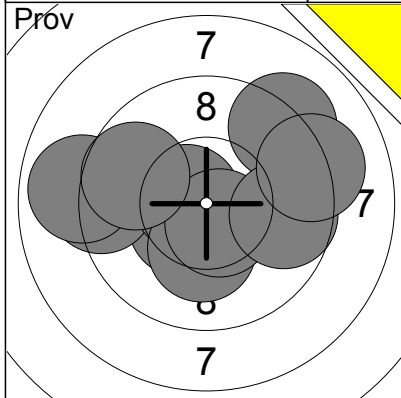
26:	10.5x	←
27:	8.8	↙
28:	9.6	←
29:	9.1	←
30:	7.9	↙
Serie	45.9	
Total	279.1	



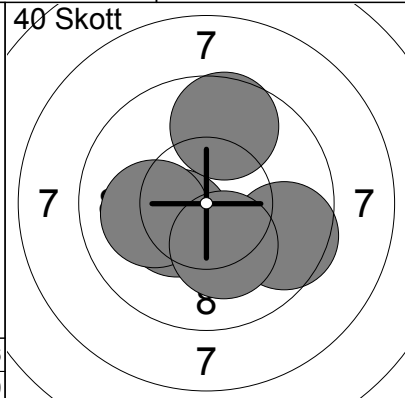
31:	9.1	→
32:	8.4	↘
33:	10.1	↘
34:	10.6x	←
35:	9.0	↗
Serie	47.2	
Total	326.3	



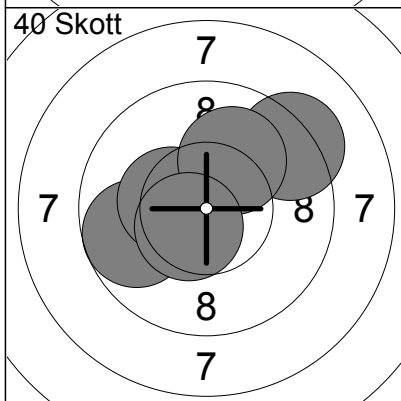
36:	9.1	↗
37:	9.4	↙
38:	8.6	→
39:	8.5	←
40:	7.9	↙
Serie	43.5	
Total	369.8	



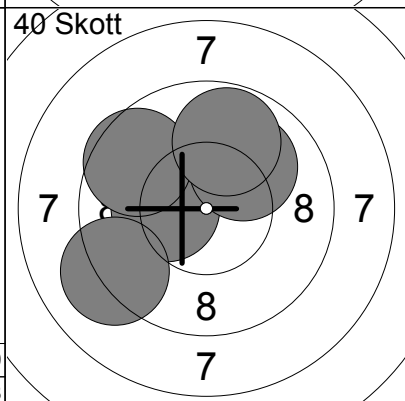
1:	10.4x	↙
2:	9.2	←
3:	8.9	←
4:	10.6x	←
5:	10.2x	↓
6:	9.2	↗
7:	10.6x	↘
8:	9.7	←
9:	9.7	→
10:	9.1	→
Serie	97.6	
Total	0.0	



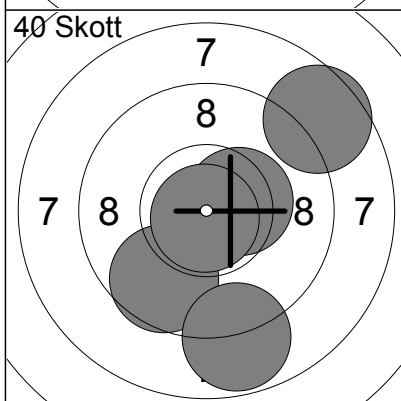
1:	10.4x	↙
2:	9.6	→
3:	10.1	←
4:	10.2x	↓
5:	9.6	↑
Serie	49.9	
Total	49.9	



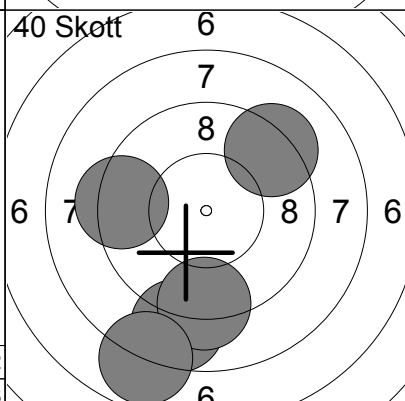
6:	9.2	↗
7:	9.7	←
8:	10.4x	←
9:	10.1	↗
10:	10.5x	↙
Serie	49.9	
Total	99.8	



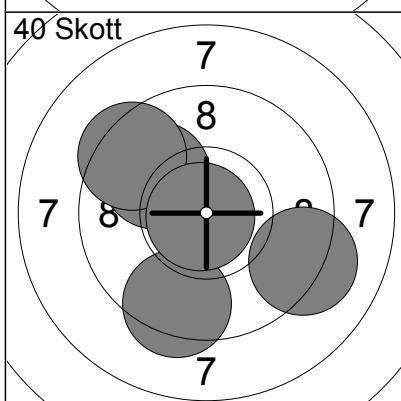
11:	10.3x	←
12:	10.0	↗
13:	9.1	←
14:	9.6	↖
15:	9.8	↑
Serie	48.8	
Total	148.6	



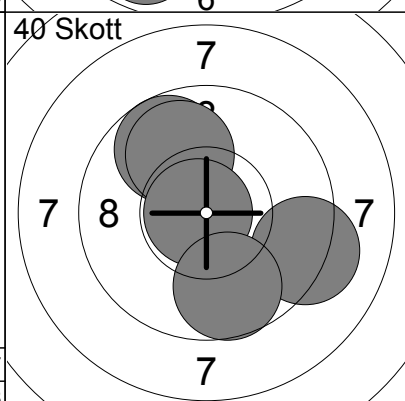
16:	9.6	↙
17:	10.4x	→
18:	10.8x	↓
19:	8.6	↗
20:	8.8	↓
Serie	48.2	
Total	196.8	



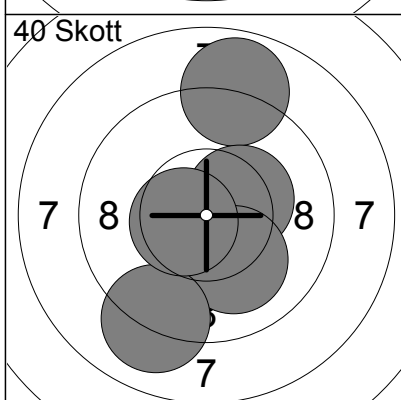
21:	8.7	↓
22:	9.3	←
23:	9.2	↓
24:	9.2	↗
25:	7.9	↓
Serie	44.3	
Total	241.1	



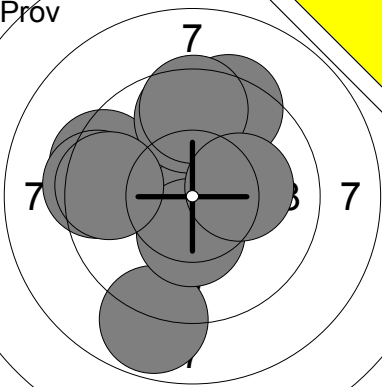
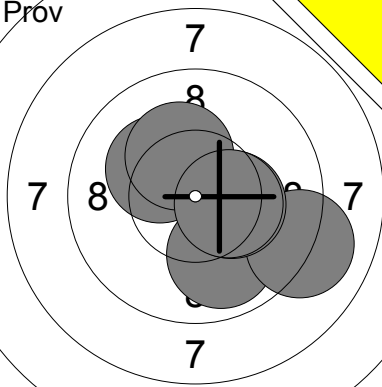
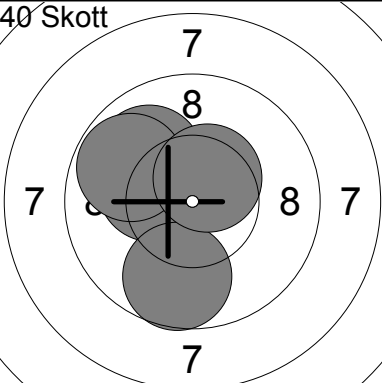
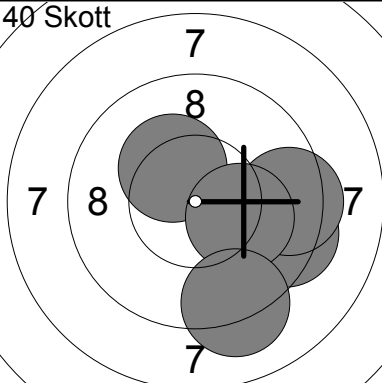
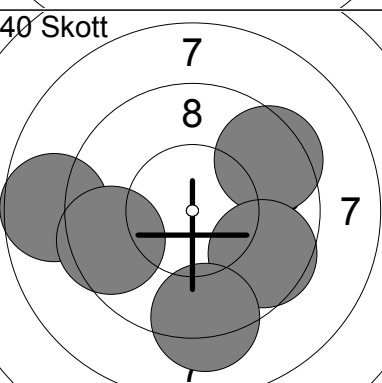
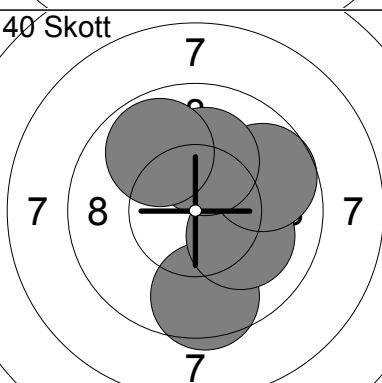
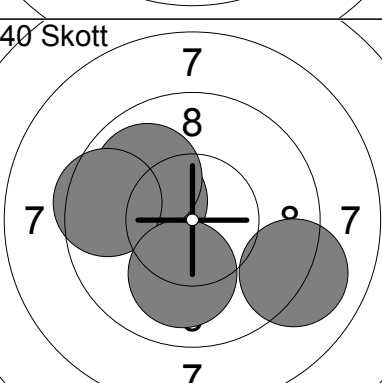
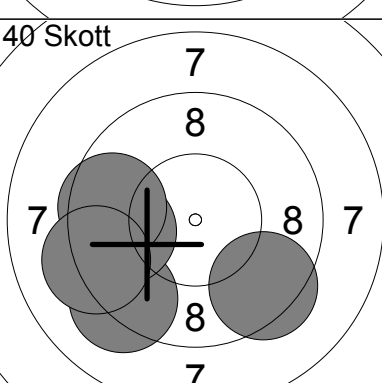
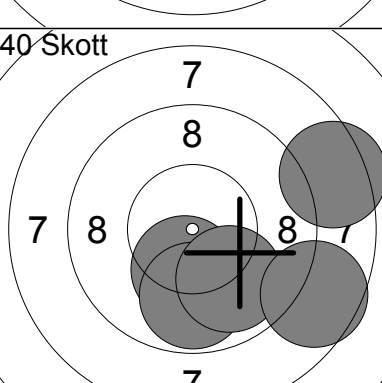
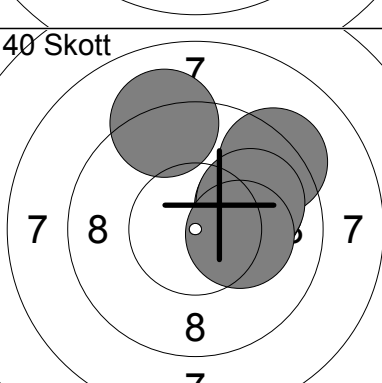
26:	9.2	→
27:	9.9	↗
28:	9.4	↓
29:	9.4	↗
30:	10.8x	↙
Serie	48.7	
Total	289.8	

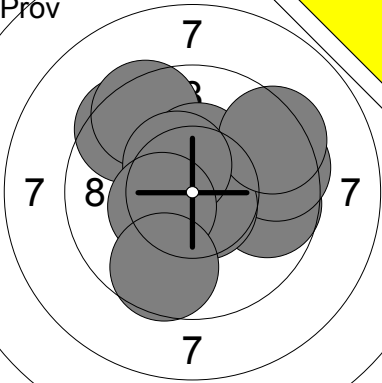
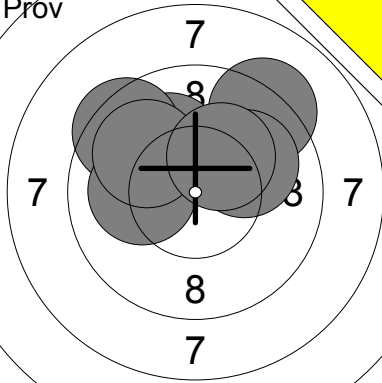
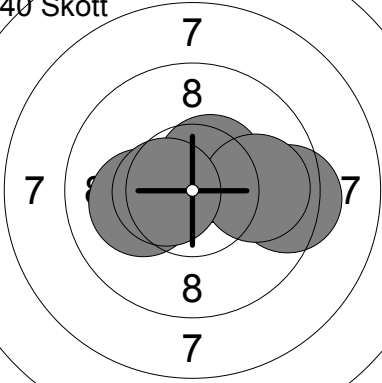
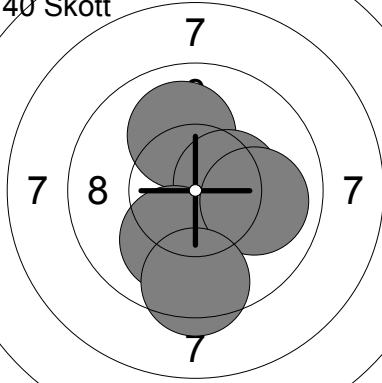
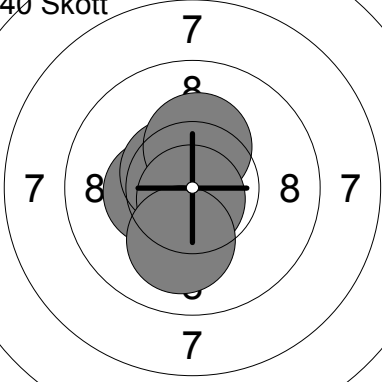
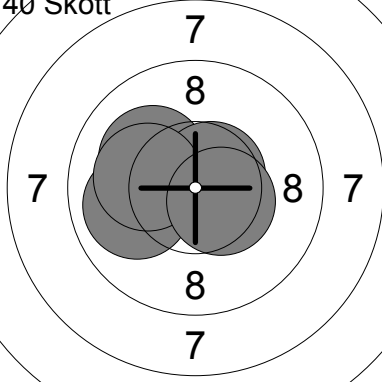
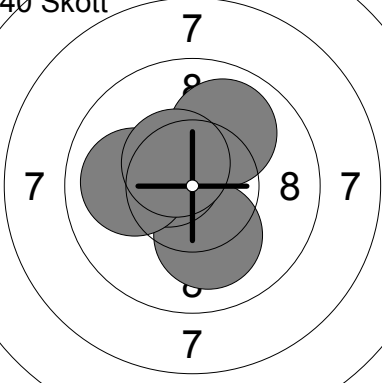
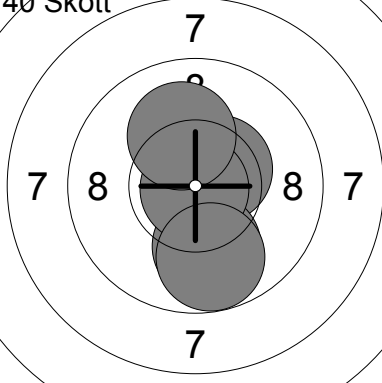
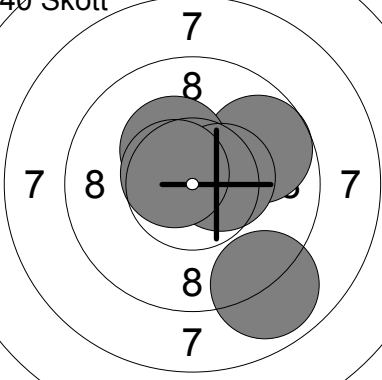
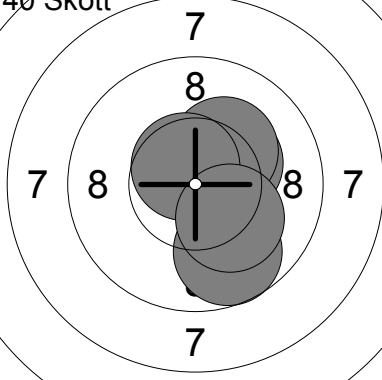


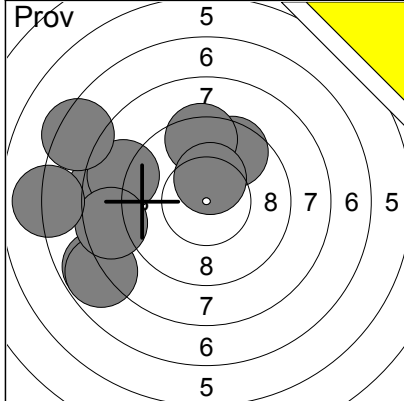
31:	9.7	↗
32:	9.9	↗
33:	10.8x	←
34:	9.2	→
35:	9.7	↓
Serie	49.3	
Total	339.1	



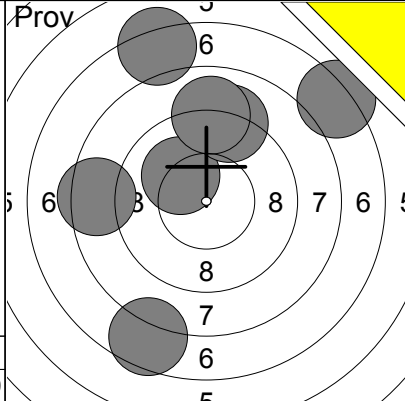
36:	8.9	↑
37:	10.3x	→
38:	10.1	↓
39:	9.1	↓
40:	10.6x	←
Serie	49.0	
Total	388.1	

01.11.2015		Vindelnskottet 2015		Ramselefors SKF	
Pröv 	1: 9.4 2: 10.8x 3: 9.4 4: 9.7 5: 8.8 6: 9.4 7: 10.3x 8: 9.6 9: 9.5 10: 10.2x	Pröv 	11: 9.9 12: 10.2x 13: 9.1 14: 10.3x 15: 10.2x 16: 10.4x	Serie 97.1	Serie 60.1
	Total 0.0		Total 0.0		Total 0.0
40 Skott 	1: 10.0 2: 10.3x 3: 9.7 4: 9.8 5: 10.5x	40 Skott 	6: 9.4 7: 9.4 8: 10.3x 9: 10.2x 10: 9.2	Serie 50.3	Serie 48.5
	Total 50.3		Total 98.8		Total 98.8
40 Skott 	11: 9.4 12: 8.7 13: 9.6 14: 9.2 15: 9.5	40 Skott 	16: 9.5 17: 10.1 18: 9.7 19: 10.1 20: 9.8	Serie 46.4	Serie 49.2
	Total 145.2		Total 194.4		Total 194.4
40 Skott 	21: 10.2x 22: 9.9 23: 9.5 24: 9.1 25: 10.0	40 Skott 	26: 9.2 27: 9.7 28: 9.4 29: 9.6 30: 9.2	Serie 48.7	Serie 47.1
	Total 243.1		Total 290.2		Total 290.2
40 Skott 	31: 8.4 32: 10.3x 33: 9.8 34: 9.9 35: 8.6	40 Skott 	36: 10.0 37: 9.3 38: 9.9 39: 10.2x 40: 9.1	Serie 47.0	Serie 48.5
	Total 337.2		Total 385.7		Total 385.7

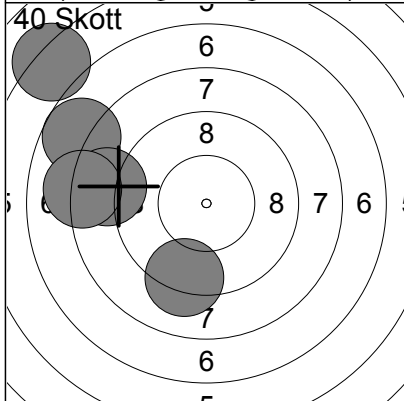
10m		Ramselefors				Sen	Vb
01.11.2015		Vindelnskottet 2015		Ramselefors SKF			
Prøv 	1: 9.7 →		11: 10.1 ↗				
	2: 9.5 ↗		12: 9.2 ↗				
	3: 9.4 ↗		13: 9.4 ↗				
	4: 10.4x ↗		14: 10.1 ←				
	5: 9.5 →		15: 10.0 ↗				
	6: 10.7x ↓		16: 9.9 ↗				
	7: 9.4 ↗		17: 10.2x ↗				
	8: 10.4x ↗						
	9: 10.4x ←						
	10: 9.6 ↓						
	Serie 99.0		Serie 68.9				
	Total 0.0		Total 0.0				
40 Skott 	1: 10.5x ↗	40 Skott 	6: 10.0 ↑				
	2: 9.4 →		7: 10.4x →				
	3: 9.9 →		8: 10.1 ↓				
	4: 10.1 ←		9: 10.0 →				
	5: 10.5x ←		10: 9.4 ↓				
	Serie 50.4		Serie 49.9				
	Total 50.4		Total 100.3				
40 Skott 	11: 10.4x ←	40 Skott 	16: 10.1 ↗				
	12: 10.6x ↗		17: 10.6x ↗				
	13: 10.3x ↗		18: 10.0 ←				
	14: 10.8x ↓		19: 10.1 ←				
	15: 10.1 ↓		20: 10.5x →				
	Serie 52.2		Serie 51.3				
	Total 152.5		Total 203.8				
40 Skott 	21: 9.9 ↗	40 Skott 	26: 10.5x ↗				
	22: 10.1 ↓		27: 9.9 ↓				
	23: 10.5x ↗		28: 10.9x ↓				
	24: 10.0 ←		29: 9.8 ↓				
	25: 10.5x ↗		30: 10.1 ↑				
	Serie 51.0		Serie 51.2				
	Total 254.8		Total 306.0				
40 Skott 	31: 9.7 ↗	40 Skott 	36: 9.7 ↓				
	32: 10.3x ↗		37: 10.3x ↗				
	33: 10.5x →		38: 10.2x ↗				
	34: 8.9 ↓		39: 10.6x ↗				
	35: 10.6x ↗		40: 10.2x ↓				
	Serie 50.0		Serie 51.0				
	Total 356.0		Total 407.0				



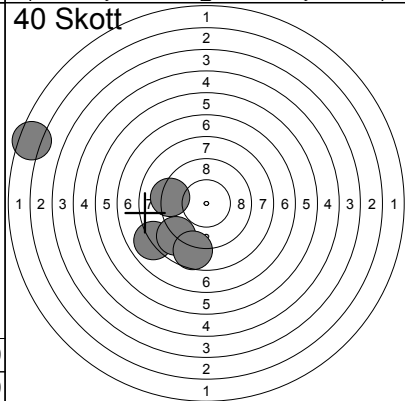
1:	7.8	↖
2:	8.4	↖
3:	8.8	↖
4:	7.8	↖
5:	9.6	↗
6:	7.4	↗
7:	9.4	↗
8:	8.5	↖
9:	7.0	↖
10:	10.4x	↗
Serie	85.1	
Total	0.0	



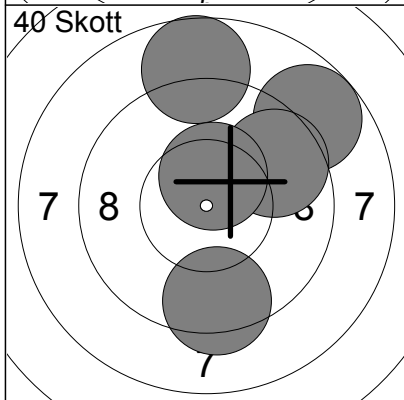
11:	7.2	↗
12:	10.1	↗
13:	9.1	↗
14:	9.0	↗
15:	8.4	↖
16:	7.2	↗
17:	7.6	↘
Serie	58.6	
Total	0.0	



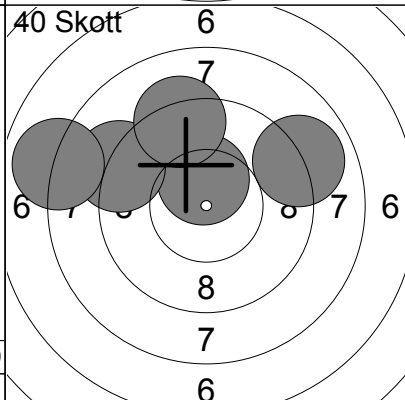
1:	7.7	↗
2:	8.7	↖
3:	9.2	↘
4:	6.2	↗
5:	8.1	↖
Serie	39.9	
Total	39.9	



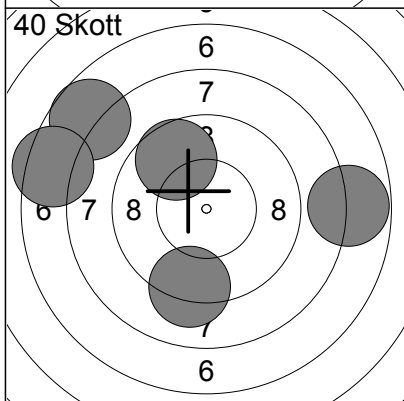
6:	8.0	↖
7:	8.9	↖
8:	9.3	↖
9:	8.7	↘
10:	2.4	↖
Serie	37.3	
Total	77.2	



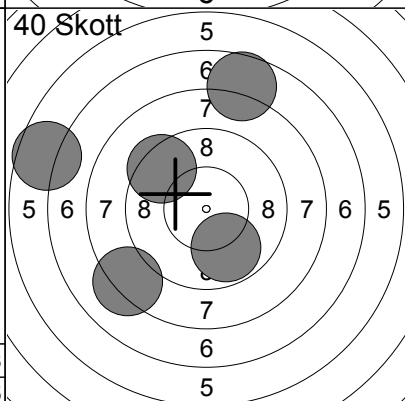
11:	8.8	↗
12:	9.6	↗
13:	8.7	↗
14:	10.4x	↗
15:	9.4	↘
Serie	46.9	
Total	124.1	



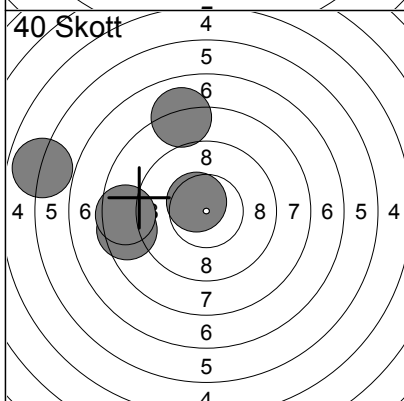
16:	10.4x	↗
17:	9.1	↖
18:	8.0	↖
19:	8.9	↗
20:	9.2	↗
Serie	45.6	
Total	169.7	



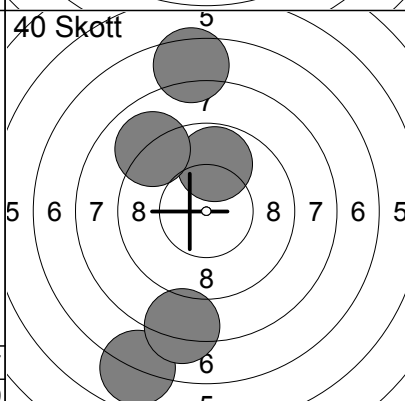
21:	9.2	↘
22:	7.7	↗
23:	7.4	↗
24:	9.7	↗
25:	7.8	→
Serie	41.8	
Total	211.5	



26:	9.8	↘
27:	6.6	↖
28:	7.7	↗
29:	9.4	↗
30:	8.2	↘
Serie	41.7	
Total	253.2	



31:	10.6x	↗
32:	8.5	↖
33:	8.1	↗
34:	8.6	↖
35:	5.9	↖
Serie	41.7	
Total	294.9	



36:	9.8	↗
37:	7.5	↗
38:	6.9	↘
39:	9.0	↗
40:	8.2	↘
Serie	41.4	
Total	336.3	

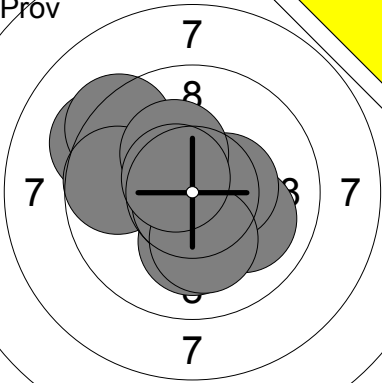
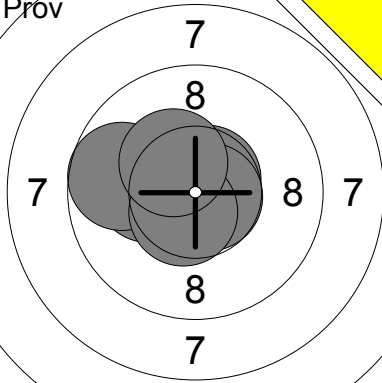
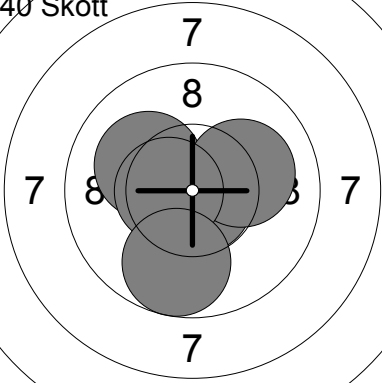
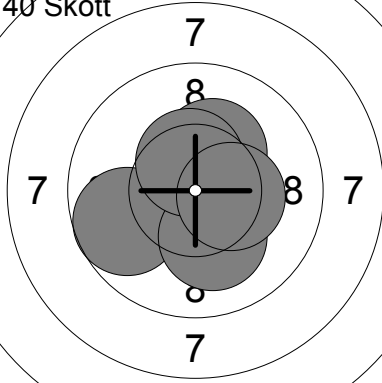
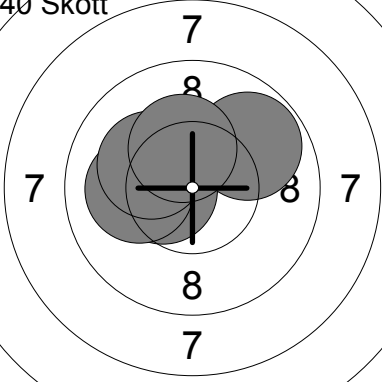
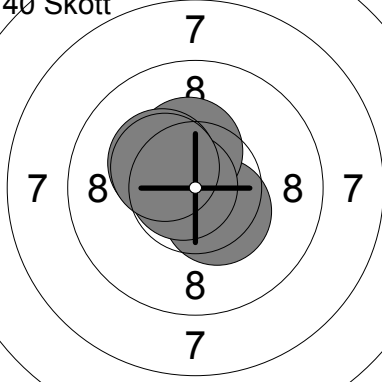
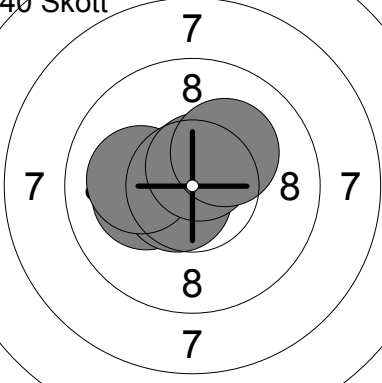
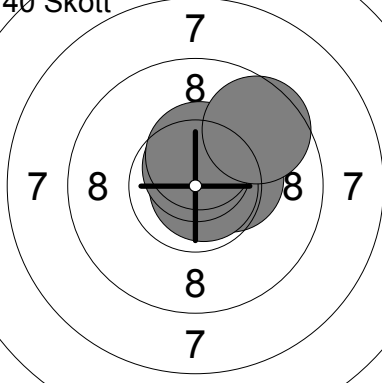
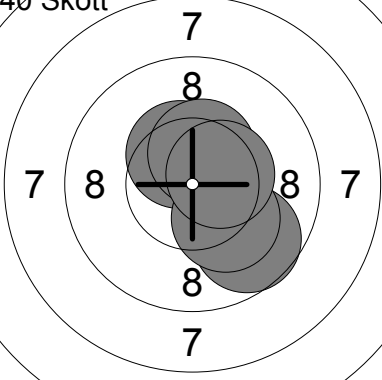
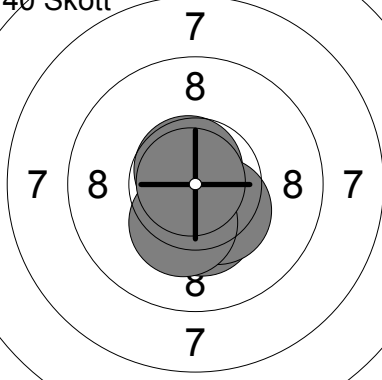
Pröv 	1: 10.1 → 2: 10.7x ↗ 3: 10.6x ↗ 4: 10.0 → 5: 9.7 ↗ 6: 10.3x ↗ 7: 10.6x ↓ 8: 9.6 ↗ 9: 10.2x → 10: 9.6 → Serie 101.4 Total 0.0	Pröv 	11: 9.0 ↗ 12: 10.6x ← 13: 9.2 ↗ 14: 9.5 ↗ 15: 10.4x ↗ 16: 9.2 ← 17: 10.4x ↗ Serie 68.3 Total 0.0
----------	---	----------	--

40 Skott 	1: 10.0 ↗ 2: 10.2x → 3: 10.1 ↗ 4: 10.7x ↗ 5: 9.8 ↙ Serie 50.8 Total 50.8	40 Skott 	6: 9.5 ← 7: 9.1 → 8: 7.8 ↘ 9: 10.4x ↓ 10: 10.6x ↓ Serie 47.4 Total 98.2
--------------	--	--------------	---

40 Skott 	11: 10.6x ↙ 12: 9.8 ↙ 13: 9.8 → 14: 9.3 ↗ 15: 10.2x ↗ Serie 49.7 Total 147.9	40 Skott 	16: 9.0 → 17: 9.7 ← 18: 9.7 ↗ 19: 10.1 ← 20: 7.2 → Serie 45.7 Total 193.6
--------------	--	--------------	---

40 Skott 	21: 7.9 → 22: 8.7 ← 23: 10.7x ← 24: 8.9 → 25: 9.6 ↗ Serie 45.8 Total 239.4	40 Skott 	26: 9.5 ↗ 27: 7.8 → 28: 10.2x ← 29: 8.9 ← 30: 10.9x ↙ Serie 47.3 Total 286.7
--------------	--	--------------	--

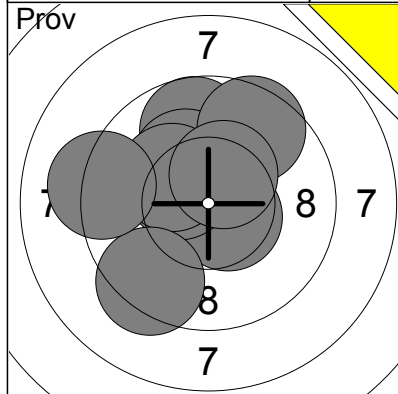
40 Skott 	31: 9.7 ↘ 32: 9.9 ↗ 33: 10.2x ↗ 34: 8.5 ← 35: 10.2x ↙ Serie 48.5 Total 335.2	40 Skott 	36: 10.1 ↗ 37: 10.6x ↗ 38: 10.7x → 39: 10.5x ↗ 40: 10.2x ↓ Serie 52.1 Total 387.3
--------------	--	--------------	---

10m		Ramselefors			Sen	Vb
01.11.2015		Vindelnskottet 2015		Ramselefors SKF		
Pröv 	1: 10.1	↓	Pröv 	11: 10.7x	↖	
	2: 9.3	↗		12: 10.7x	↗	
	3: 9.3	↗		13: 10.2x	←	
	4: 9.7	←		14: 10.7x	→	
	5: 10.7x	↖		15: 9.7	←	
	6: 10.0	↘		16: 10.6x	↘	
	7: 10.4x	→		17: 10.3x	↗	
	8: 10.2x	↘				
	9: 10.3x	↗				
	10: 10.6x	↗				
	Serie	100.6		Serie	72.9	
	Total	0.0		Total	0.0	
40 Skott 	1: 10.1	↗	40 Skott 	6: 10.3x	↗	
	2: 10.8x	↘		7: 9.7	←	
	3: 10.1	→		8: 10.1	↘	
	4: 10.6x	←		9: 10.5x	↗	
	5: 9.7	↘		10: 10.4x	→	
	Serie	51.3		Serie	51.0	
	Total	51.3		Total	102.3	
40 Skott 	11: 10.5x	←	40 Skott 	16: 10.4x	↘	
	12: 9.8	↗		17: 10.3x	↗	
	13: 10.1	←		18: 10.8x	←	
	14: 10.2x	↗		19: 10.3x	↗	
	15: 10.3x	↗		20: 10.3x	↗	
	Serie	50.9		Serie	52.1	
	Total	153.2		Total	205.3	
40 Skott 	21: 10.2x	←	40 Skott 	26: 10.4x	→	
	22: 10.6x	↘		27: 10.8x	→	
	23: 10.1	←		28: 10.7x	↗	
	24: 10.6x	↗		29: 10.4x	↗	
	25: 10.2x	↗		30: 9.6	↗	
	Serie	51.7		Serie	51.9	
	Total	257.0		Total	308.9	
40 Skott 	31: 9.7	↘	40 Skott 	36: 10.3x	↘	
	32: 10.4x	↗		37: 10.7x	↗	
	33: 10.4x	↗		38: 10.4x	↘	
	34: 10.2x	↘		39: 10.3x	↘	
	35: 10.5x	→		40: 10.9x	↖	
	Serie	51.2		Serie	52.6	
	Total	360.1		Total	412.7	

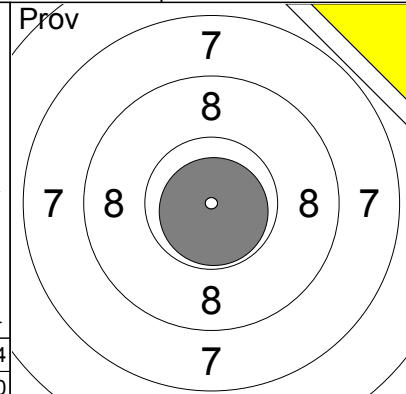
Skjutlag 3 Tavla 25 Mirjam Nilsson

10m Ramselefors 20 Vb

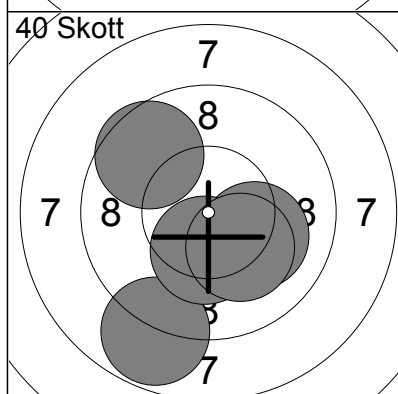
01.11.2015 Vindelnskottet 2015 Ramselefors SKF



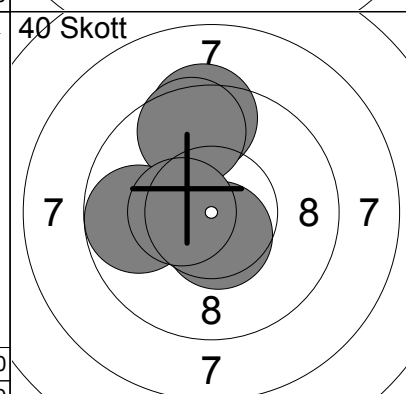
1:	9.7	↑
2:	10.2x	↗
3:	9.5	↘
4:	10.8x	↓
5:	10.6x	↘
6:	10.4x	↗
7:	10.2x	↗
8:	10.4x	↗
9:	9.4	↘
10:	9.2	←
Serie		100.4
Total		0.0



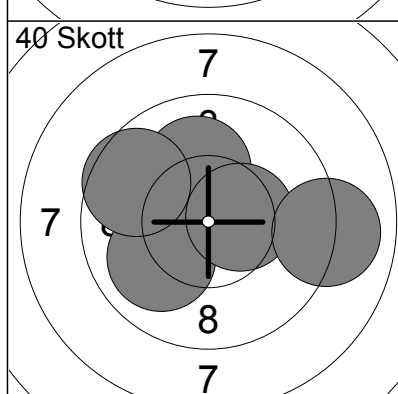
11:	10.8x	↓
Serie		10.8
Total		0.0



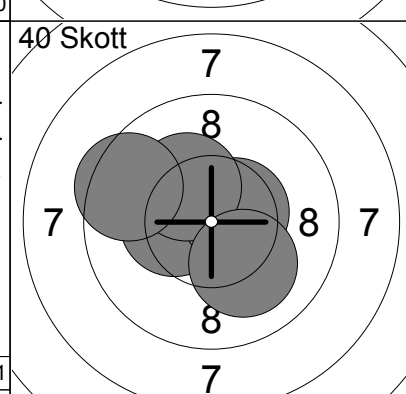
1:	10.1	↘
2:	8.8	↘
3:	10.3x	↘
4:	9.6	↗
5:	10.2x	↘
Serie		49.0
Total		49.0



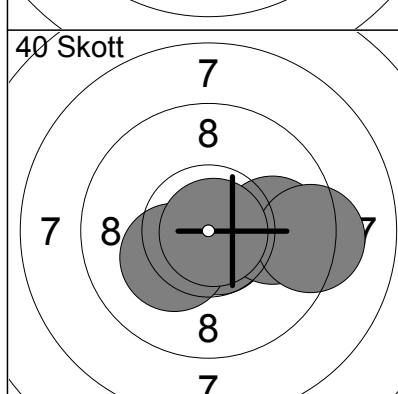
6:	9.4	↑
7:	9.6	↑
8:	9.7	←
9:	10.6x	↓
10:	10.5x	←
Serie		49.8
Total		98.8



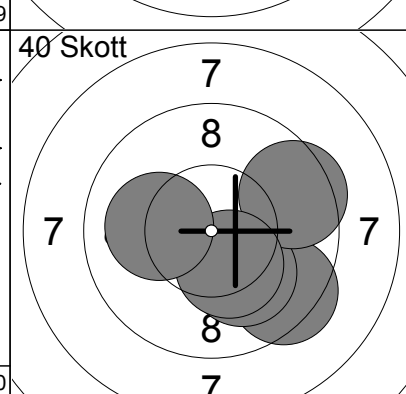
11:	10.0	↖
12:	10.1	↗
13:	10.4x	→
14:	9.0	→
15:	9.6	↗
Serie		49.1
Total		147.9



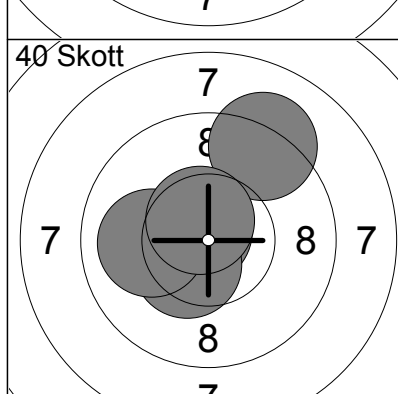
16:	10.3x	←
17:	10.5x	↗
18:	10.3x	↗
19:	9.5	↖
20:	10.1	↘
Serie		50.7
Total		198.6



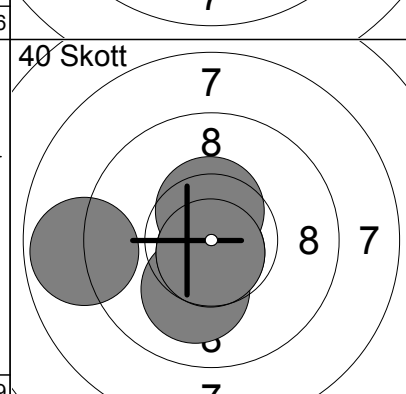
21:	10.7x	↘
22:	9.9	→
23:	10.2x	↖
24:	9.3	→
25:	10.9x	↘
Serie		51.0
Total		249.6



26:	9.4	↘
27:	10.1	↘
28:	9.5	→
29:	10.3x	↘
30:	10.1	←
Serie		49.4
Total		299.0

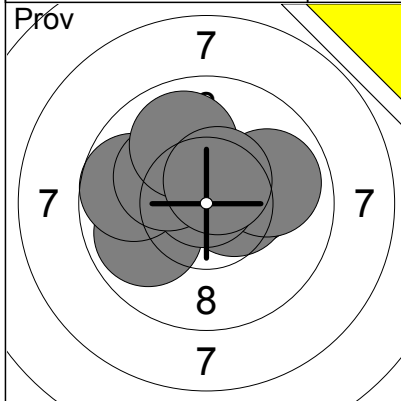


31:	10.7x	↗
32:	9.2	↗
33:	10.4x	↖
34:	10.0	←
35:	10.6x	↗
Serie		50.9
Total		349.9

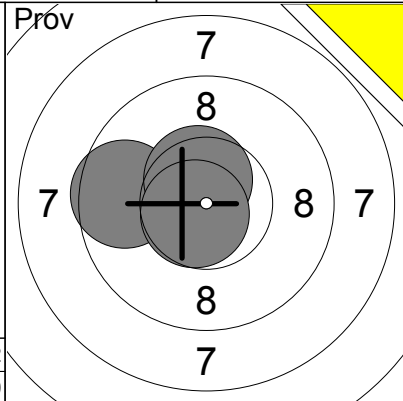


36:	10.1	↓
37:	10.7x	↓
38:	8.9	←
39:	10.5x	↑
40:	10.7x	↓
Serie		50.9
Total		400.8

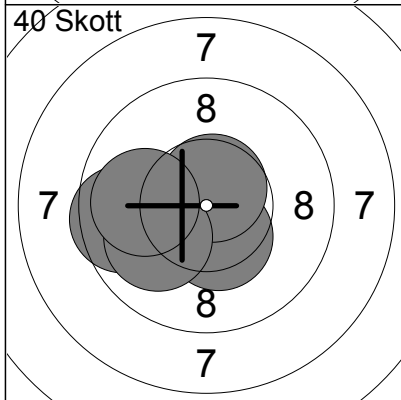
10m		S 3/Gällivare				Sen	No
01.11.2015		Vindelnskottet 2015		Ramselefors SKF			
	1: 6.9 → 2: 8.5 → 3: 8.4 → 4: 9.2 → 5: 7.7 → 6: 8.7 → 7: 10.2x ↗ 8: 9.6 ↓ 9: 9.8 ↓ 10: 9.9 → Serie 88.9 Total 0.0		11: 9.3 ← 12: 10.5x ← 13: 9.9 → 14: 8.1 ← 15: 9.6 ← 16: 9.8 ↓ Serie 57.2 Total 0.0		1: 10.4x ↗ 2: 10.7x ↑ 3: 10.0 ← 4: 9.7 ↙ 5: 9.5 ↓ Serie 50.3 Total 50.3		
	6: 9.7 → 7: 10.7x ↘ 8: 10.5x ↙ 9: 9.9 → 10: 9.8 ↗ Serie 50.6 Total 100.9		11: 10.6x ↑ 12: 9.9 ↗ 13: 10.1 ↓ 14: 9.9 ↗ 15: 9.3 ← Serie 49.8 Total 150.7		16: 9.1 ↙ 17: 10.0 ↓ 18: 9.9 ↓ 19: 10.0 → 20: 9.6 ← Serie 48.6 Total 199.3		
	21: 9.1 ← 22: 10.4x ↗ 23: 9.5 ↙ 24: 10.1 → 25: 9.7 ↙ Serie 48.8 Total 248.1		26: 9.4 ← 27: 9.9 ↑ 28: 10.0 ← 29: 10.0 ← 30: 10.1 ← Serie 49.4 Total 297.5		31: 9.9 ← 32: 10.3x ↑ 33: 9.5 → 34: 9.8 → 35: 10.8x → Serie 50.3 Total 347.8		
	36: 8.8 → 37: 9.6 ↗ 38: 9.5 → 39: 9.3 ↑ 40: 10.0 → Serie 47.2 Total 395.0		41: 10.5x ↗ 42: 10.2x ← 43: 8.8 → 44: 9.4 ↓ 45: 10.6x ↙ Serie 49.5 Total 444.5		46: 9.6 → 47: 9.8 ↘ 48: 8.8 → 49: 10.6x ↘ 50: 10.6x ↗ Serie 49.4 Total 493.9		
	51: 9.7 → 52: 10.6x ↗ 53: 9.8 ↘ 54: 10.7x ↙ 55: 10.3x ↗ Serie 51.1 Total 545.0		56: 10.1 ↑ 57: 9.9 ↘ 58: 10.2x ↑ 59: 8.2 → 60: 9.0 → Serie 47.4 Total 592.4				



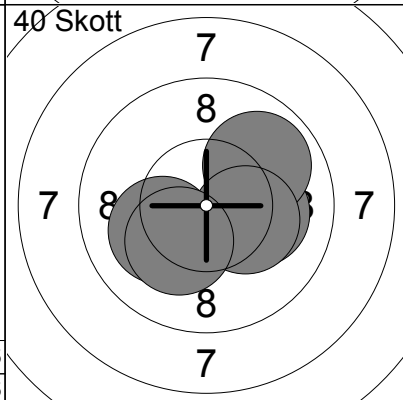
1:	10.2x	→
2:	10.6x	↑
3:	9.9	←
4:	9.7	←
5:	10.5x	→
6:	9.9	→
7:	10.8x	↑
8:	10.2x	↑
9:	9.9	↑
10:	10.5x	↑
Serie	102.2	
Total	0.0	



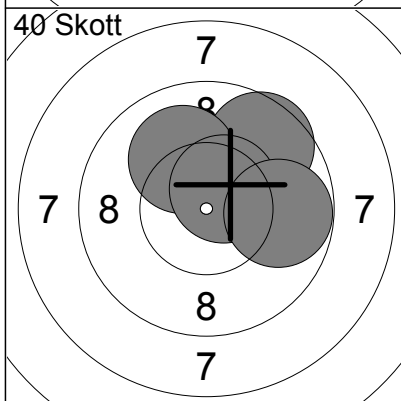
11:	9.6	←
12:	10.5x	↑
13:	10.7x	↙
Serie	30.8	
Total	0.0	



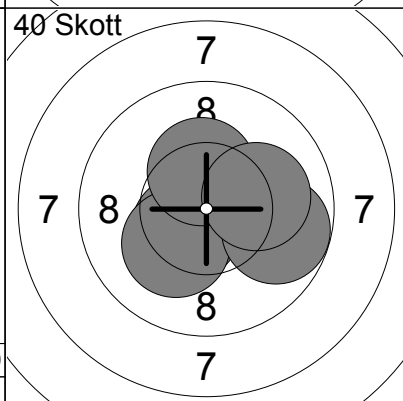
1:	10.4x	↓
2:	10.6x	↑
3:	9.6	←
4:	10.0	←
5:	9.9	←
Serie	50.5	
Total	50.5	



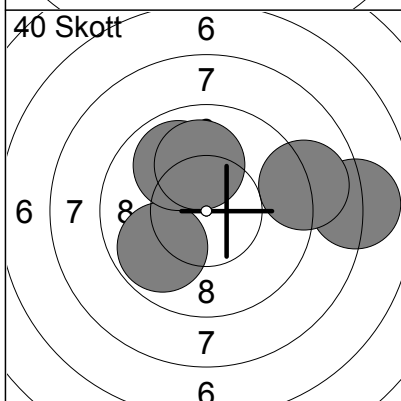
6:	10.1	←
7:	10.1	→
8:	9.9	↗
9:	10.3x	→
10:	10.2x	↙
Serie	50.6	
Total	101.1	



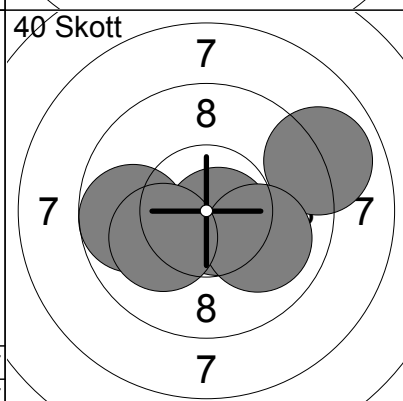
11:	10.1	↗
12:	9.6	↗
13:	10.0	↑
14:	10.5x	↗
15:	9.8	→
Serie	50.0	
Total	151.1	



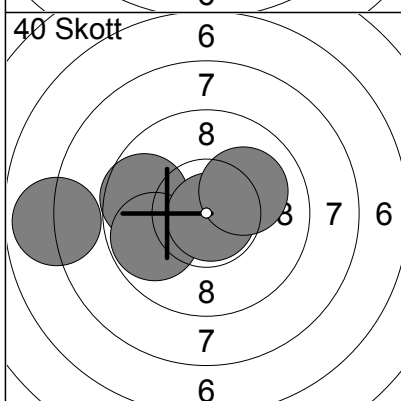
16:	10.5x	↙
17:	10.2x	↙
18:	10.3x	↑
19:	9.8	→
20:	10.1	→
Serie	50.9	
Total	202.0	



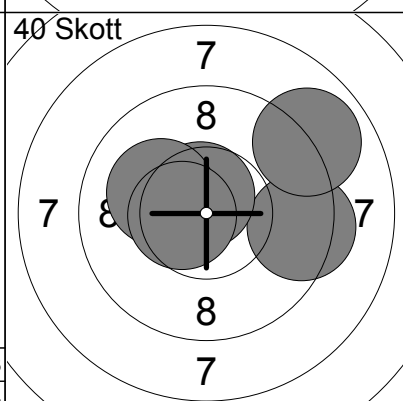
21:	9.8	↙
22:	9.9	↗
23:	10.0	↑
24:	8.0	→
25:	9.0	→
Serie	46.7	
Total	248.7	



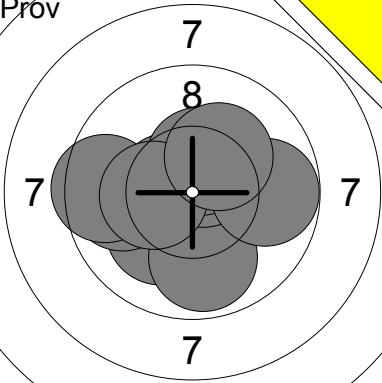
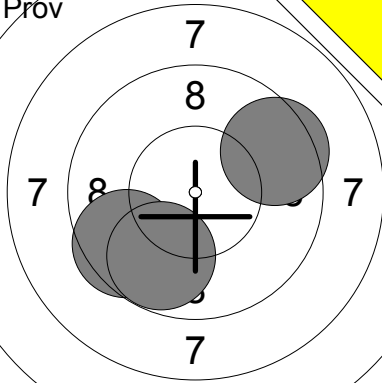
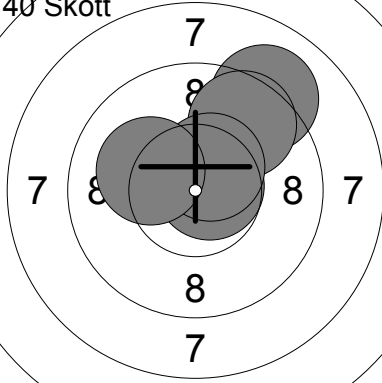
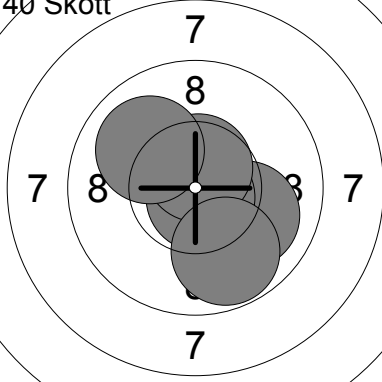
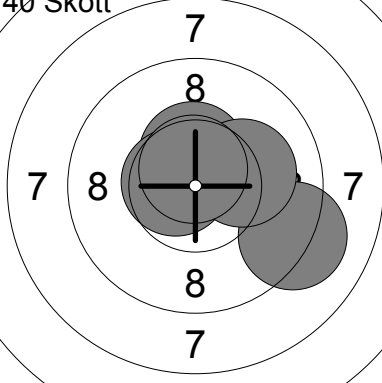
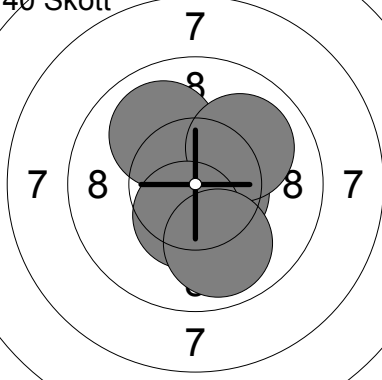
26:	8.9	↗
27:	10.7x	↘
28:	9.7	←
29:	10.0	↘
30:	10.1	↙
Serie	49.4	
Total	298.1	

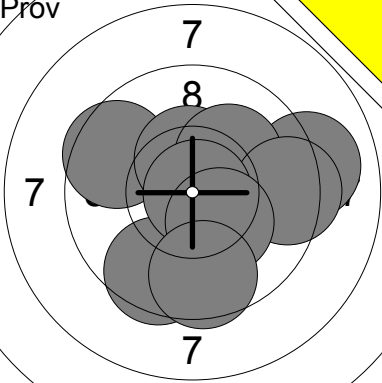
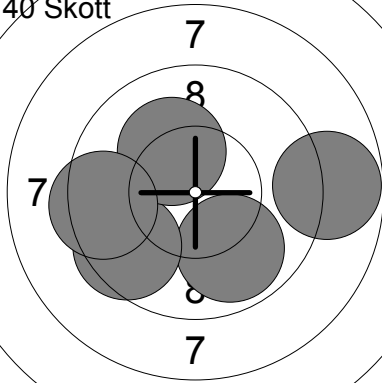
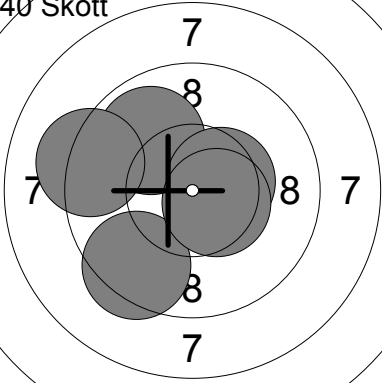
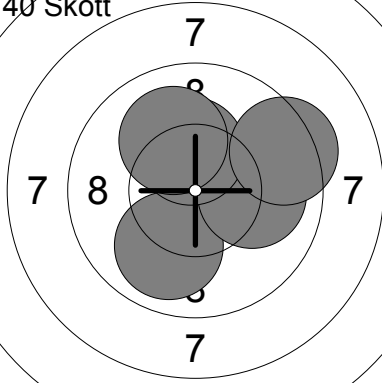
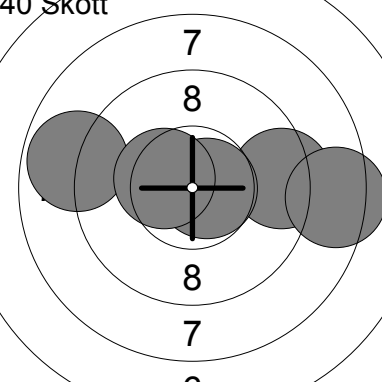
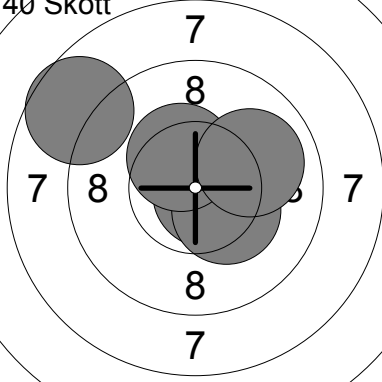
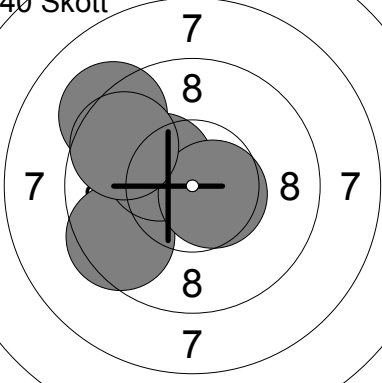
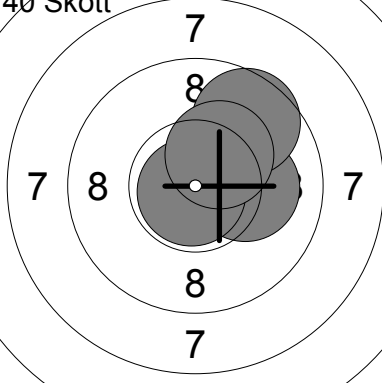
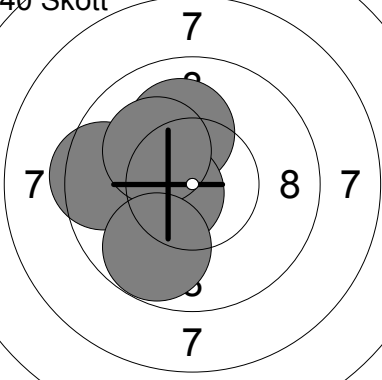


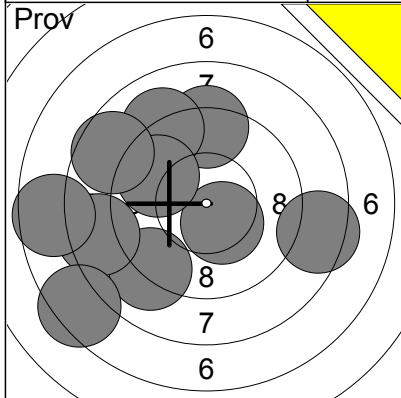
31:	7.9	←
32:	9.7	←
33:	9.8	←
34:	10.8x	↘
35:	10.1	↗
Serie	48.3	
Total	346.4	



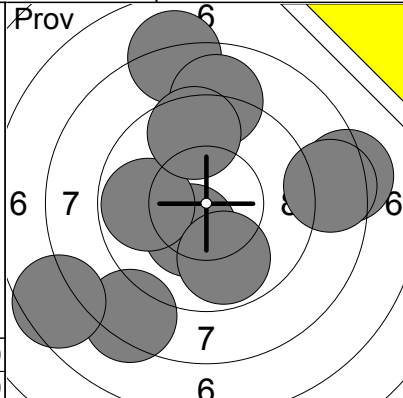
36:	9.4	→
37:	10.7x	↑
38:	10.1	←
39:	10.5x	←
40:	8.9	↗
Serie	49.6	
Total	396.0	

Pröv		Pröv																																																				
	<table border="1" style="width:100%; border-collapse: collapse;"> <tr><td>1:</td><td>10.1</td><td>↙</td></tr> <tr><td>2:</td><td>9.8</td><td>←</td></tr> <tr><td>3:</td><td>10.6x</td><td>←</td></tr> <tr><td>4:</td><td>9.9</td><td>↓</td></tr> <tr><td>5:</td><td>10.6x</td><td>↗</td></tr> <tr><td>6:</td><td>10.4x</td><td>↗</td></tr> <tr><td>7:</td><td>9.5</td><td>←</td></tr> <tr><td>8:</td><td>10.3x</td><td>←</td></tr> <tr><td>9:</td><td>9.8</td><td>→</td></tr> <tr><td>10:</td><td>10.2x</td><td>↗</td></tr> <tr><td colspan="2">Serie</td><td>101.2</td></tr> <tr><td colspan="2">Total</td><td>0.0</td></tr> </table>	1:	10.1	↙	2:	9.8	←	3:	10.6x	←	4:	9.9	↓	5:	10.6x	↗	6:	10.4x	↗	7:	9.5	←	8:	10.3x	←	9:	9.8	→	10:	10.2x	↗	Serie		101.2	Total		0.0		<table border="1" style="width:100%; border-collapse: collapse;"> <tr><td>11:</td><td>9.5</td><td>↙</td></tr> <tr><td>12:</td><td>9.5</td><td>→</td></tr> <tr><td>13:</td><td>9.8</td><td>↓</td></tr> <tr><td colspan="2">Serie</td><td>28.8</td></tr> <tr><td colspan="2">Total</td><td>0.0</td></tr> </table>	11:	9.5	↙	12:	9.5	→	13:	9.8	↓	Serie		28.8	Total		0.0
1:	10.1	↙																																																				
2:	9.8	←																																																				
3:	10.6x	←																																																				
4:	9.9	↓																																																				
5:	10.6x	↗																																																				
6:	10.4x	↗																																																				
7:	9.5	←																																																				
8:	10.3x	←																																																				
9:	9.8	→																																																				
10:	10.2x	↗																																																				
Serie		101.2																																																				
Total		0.0																																																				
11:	9.5	↙																																																				
12:	9.5	→																																																				
13:	9.8	↓																																																				
Serie		28.8																																																				
Total		0.0																																																				
40 Skott	<table border="1" style="width:100%; border-collapse: collapse;"> <tr><td>1:</td><td>9.6</td><td>←</td></tr> <tr><td>2:</td><td>10.5x</td><td>←</td></tr> <tr><td>3:</td><td>10.2x</td><td>↖</td></tr> <tr><td>4:</td><td>10.5x</td><td>↗</td></tr> <tr><td>5:</td><td>10.0</td><td>↗</td></tr> <tr><td colspan="2">Serie</td><td>50.8</td></tr> <tr><td colspan="2">Total</td><td>50.8</td></tr> </table>	1:	9.6	←	2:	10.5x	←	3:	10.2x	↖	4:	10.5x	↗	5:	10.0	↗	Serie		50.8	Total		50.8		<table border="1" style="width:100%; border-collapse: collapse;"> <tr><td>6:</td><td>9.1</td><td>↗</td></tr> <tr><td>7:</td><td>9.6</td><td>↗</td></tr> <tr><td>8:</td><td>10.7x</td><td>→</td></tr> <tr><td>9:</td><td>10.5x</td><td>↗</td></tr> <tr><td>10:</td><td>10.2x</td><td>←</td></tr> <tr><td colspan="2">Serie</td><td>50.1</td></tr> <tr><td colspan="2">Total</td><td>100.9</td></tr> </table>	6:	9.1	↗	7:	9.6	↗	8:	10.7x	→	9:	10.5x	↗	10:	10.2x	←	Serie		50.1	Total		100.9									
1:	9.6	←																																																				
2:	10.5x	←																																																				
3:	10.2x	↖																																																				
4:	10.5x	↗																																																				
5:	10.0	↗																																																				
Serie		50.8																																																				
Total		50.8																																																				
6:	9.1	↗																																																				
7:	9.6	↗																																																				
8:	10.7x	→																																																				
9:	10.5x	↗																																																				
10:	10.2x	←																																																				
Serie		50.1																																																				
Total		100.9																																																				
40 Skott	<table border="1" style="width:100%; border-collapse: collapse;"> <tr><td>11:</td><td>10.4x</td><td>↗</td></tr> <tr><td>12:</td><td>9.8</td><td>↗</td></tr> <tr><td>13:</td><td>10.7x</td><td>↗</td></tr> <tr><td>14:</td><td>10.8x</td><td>↘</td></tr> <tr><td>15:</td><td>10.1</td><td>←</td></tr> <tr><td colspan="2">Serie</td><td>51.8</td></tr> <tr><td colspan="2">Total</td><td>152.7</td></tr> </table>	11:	10.4x	↗	12:	9.8	↗	13:	10.7x	↗	14:	10.8x	↘	15:	10.1	←	Serie		51.8	Total		152.7		<table border="1" style="width:100%; border-collapse: collapse;"> <tr><td>16:</td><td>10.0</td><td>→</td></tr> <tr><td>17:</td><td>10.8x</td><td>↘</td></tr> <tr><td>18:</td><td>10.6x</td><td>↗</td></tr> <tr><td>19:</td><td>9.8</td><td>↘</td></tr> <tr><td>20:</td><td>10.0</td><td>↗</td></tr> <tr><td colspan="2">Serie</td><td>51.2</td></tr> <tr><td colspan="2">Total</td><td>203.9</td></tr> </table>	16:	10.0	→	17:	10.8x	↘	18:	10.6x	↗	19:	9.8	↘	20:	10.0	↗	Serie		51.2	Total		203.9									
11:	10.4x	↗																																																				
12:	9.8	↗																																																				
13:	10.7x	↗																																																				
14:	10.8x	↘																																																				
15:	10.1	←																																																				
Serie		51.8																																																				
Total		152.7																																																				
16:	10.0	→																																																				
17:	10.8x	↘																																																				
18:	10.6x	↗																																																				
19:	9.8	↘																																																				
20:	10.0	↗																																																				
Serie		51.2																																																				
Total		203.9																																																				
40 Skott	<table border="1" style="width:100%; border-collapse: collapse;"> <tr><td>21:</td><td>9.1</td><td>←</td></tr> <tr><td>22:</td><td>9.7</td><td>↘</td></tr> <tr><td>23:</td><td>10.1</td><td>↖</td></tr> <tr><td>24:</td><td>10.4x</td><td>←</td></tr> <tr><td>25:</td><td>10.8x</td><td>←</td></tr> <tr><td colspan="2">Serie</td><td>50.1</td></tr> <tr><td colspan="2">Total</td><td>254.0</td></tr> </table>	21:	9.1	←	22:	9.7	↘	23:	10.1	↖	24:	10.4x	←	25:	10.8x	←	Serie		50.1	Total		254.0		<table border="1" style="width:100%; border-collapse: collapse;"> <tr><td>26:</td><td>10.5x</td><td>↗</td></tr> <tr><td>27:</td><td>9.2</td><td>→</td></tr> <tr><td>28:</td><td>10.6x</td><td>←</td></tr> <tr><td>29:</td><td>10.1</td><td>→</td></tr> <tr><td>30:</td><td>10.7x</td><td>↗</td></tr> <tr><td colspan="2">Serie</td><td>51.1</td></tr> <tr><td colspan="2">Total</td><td>305.1</td></tr> </table>	26:	10.5x	↗	27:	9.2	→	28:	10.6x	←	29:	10.1	→	30:	10.7x	↗	Serie		51.1	Total		305.1									
21:	9.1	←																																																				
22:	9.7	↘																																																				
23:	10.1	↖																																																				
24:	10.4x	←																																																				
25:	10.8x	←																																																				
Serie		50.1																																																				
Total		254.0																																																				
26:	10.5x	↗																																																				
27:	9.2	→																																																				
28:	10.6x	←																																																				
29:	10.1	→																																																				
30:	10.7x	↗																																																				
Serie		51.1																																																				
Total		305.1																																																				
40 Skott	<table border="1" style="width:100%; border-collapse: collapse;"> <tr><td>31:</td><td>9.3</td><td>→</td></tr> <tr><td>32:</td><td>10.1</td><td>↙</td></tr> <tr><td>33:</td><td>10.2x</td><td>↗</td></tr> <tr><td>34:</td><td>9.5</td><td>↘</td></tr> <tr><td>35:</td><td>10.2x</td><td>↗</td></tr> <tr><td colspan="2">Serie</td><td>49.3</td></tr> <tr><td colspan="2">Total</td><td>354.4</td></tr> </table>	31:	9.3	→	32:	10.1	↙	33:	10.2x	↗	34:	9.5	↘	35:	10.2x	↗	Serie		49.3	Total		354.4		<table border="1" style="width:100%; border-collapse: collapse;"> <tr><td>36:</td><td>10.6x</td><td>→</td></tr> <tr><td>37:</td><td>10.0</td><td>↗</td></tr> <tr><td>38:</td><td>10.0</td><td>↗</td></tr> <tr><td>39:</td><td>10.4x</td><td>↘</td></tr> <tr><td>40:</td><td>9.9</td><td>↘</td></tr> <tr><td colspan="2">Serie</td><td>50.9</td></tr> <tr><td colspan="2">Total</td><td>405.3</td></tr> </table>	36:	10.6x	→	37:	10.0	↗	38:	10.0	↗	39:	10.4x	↘	40:	9.9	↘	Serie		50.9	Total		405.3									
31:	9.3	→																																																				
32:	10.1	↙																																																				
33:	10.2x	↗																																																				
34:	9.5	↘																																																				
35:	10.2x	↗																																																				
Serie		49.3																																																				
Total		354.4																																																				
36:	10.6x	→																																																				
37:	10.0	↗																																																				
38:	10.0	↗																																																				
39:	10.4x	↘																																																				
40:	9.9	↘																																																				
Serie		50.9																																																				
Total		405.3																																																				

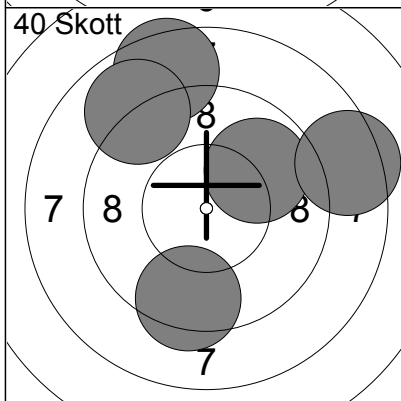
Pröv 	1: 9.6 ↖ 2: 9.0 → 3: 10.4x ↑ 4: 10.1 ↗ 5: 9.4 → 6: 9.5 ↓ 7: 10.9x ↘ 8: 10.3x ↘ 9: 9.6 ↓	40 Skott 	1: 9.9 ↓ 2: 8.8 → 3: 9.5 ↙ 4: 10.2x ↗ 5: 9.4 ←
	Serie 88.8		Serie 47.8
	Total 0.0		Total 47.8
40 Skott 	6: 9.9 ↗ 7: 10.5x → 8: 9.2 ↖ 9: 9.4 ↙ 10: 10.5x ↓	40 Skott 	11: 9.9 ↓ 12: 10.0 → 13: 10.3x ↑ 14: 10.1 ↗ 15: 9.4 →
	Serie 49.5		Serie 49.7
	Total 97.3		Total 147.0
40 Skott 	16: 9.4 → 17: 8.4 → 18: 10.7x → 19: 8.9 ← 20: 10.4x ←	40 Skott 	21: 10.7x → 22: 8.7 ↖ 23: 10.3x ↘ 24: 10.4x ↗ 25: 10.0 →
	Serie 47.8		Serie 50.1
	Total 194.8		Total 244.9
40 Skott 	26: 9.5 ↙ 27: 10.3x ↖ 28: 10.6x ↘ 29: 9.2 ↗ 30: 9.7 ↖	40 Skott 	31: 10.2x ↗ 32: 10.1 → 33: 9.6 ↗ 34: 10.8x ↓ 35: 10.3x ↗
	Serie 49.3		Serie 51.0
	Total 294.2		Total 345.2
40 Skott 	36: 10.1 ↑ 37: 10.6x ← 38: 9.5 ← 39: 10.1 ↗ 40: 9.8 ↓		
	Serie 50.1		
	Total 395.3		



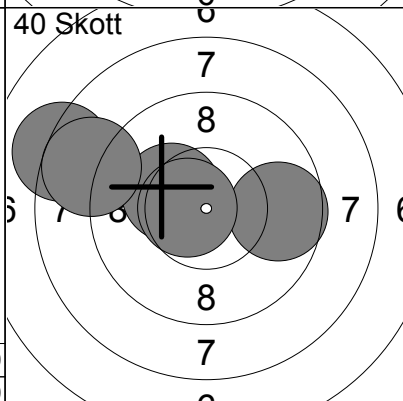
1:	10.4x	↘
2:	9.3	↑
3:	9.1	↘
4:	9.1	↗
5:	8.5	←
6:	7.6	←
7:	8.4	→
8:	7.4	↘
9:	9.7	↗
10:	8.6	↗
Serie	84.0	
Total	0.0	



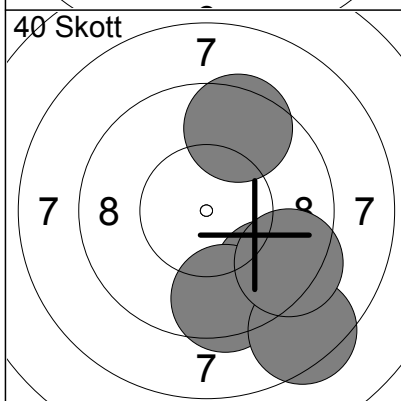
11:	8.3	↘
12:	10.3x	↘
13:	7.5	↙
14:	9.8	←
15:	9.9	↘
16:	8.1	↑
17:	8.2	→
18:	9.0	↑
19:	8.5	→
20:	9.6	↑
Serie	85.0	
Total	0.0	



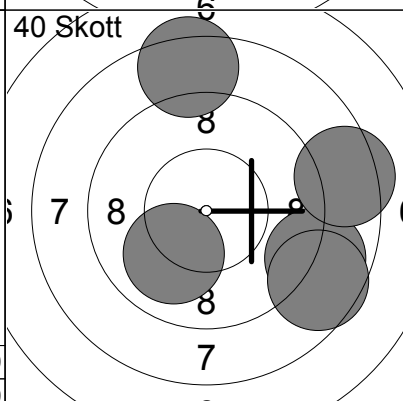
1:	9.9	↗
2:	8.4	→
3:	8.5	↗
4:	8.9	↗
5:	9.4	↘
Serie	42.0	
Total	42.0	



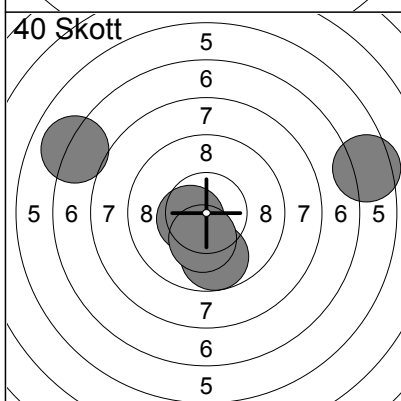
6:	9.7	→
7:	10.3x	↗
8:	10.6x	←
9:	8.2	↙
10:	8.7	↙
Serie	45.0	
Total	87.0	



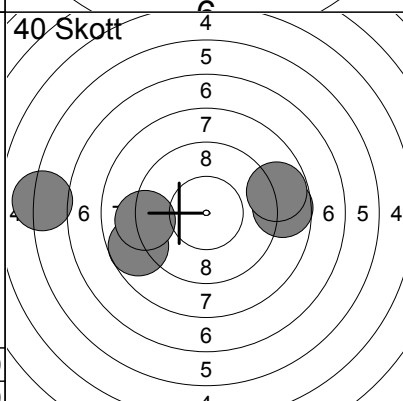
11:	9.5	↘
12:	9.5	↑
13:	9.5	↘
14:	8.4	↘
15:	9.3	↘
Serie	44.0	
Total	131.0	



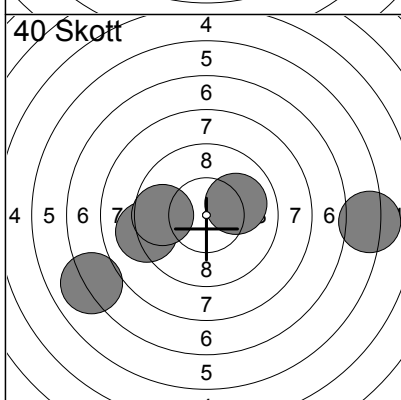
16:	8.8	→
17:	8.4	↑
18:	8.6	↘
19:	8.4	→
20:	10.0	↘
Serie	42.0	
Total	173.0	



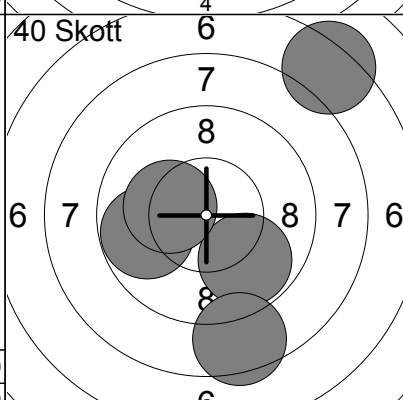
21:	10.5x	←
22:	6.5	→
23:	9.8	↘
24:	7.0	↗
25:	10.3x	↘
Serie	42.0	
Total	215.0	



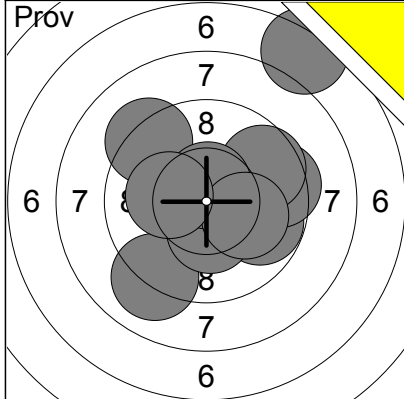
26:	8.7	←
27:	8.7	→
28:	6.1	←
29:	8.8	→
30:	9.1	←
Serie	39.0	
Total	254.0	



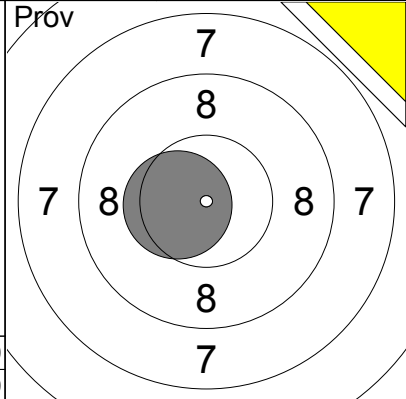
31:	9.1	←
32:	10.0	→
33:	6.2	→
34:	9.7	←
35:	7.1	←
Serie	41.0	
Total	295.0	



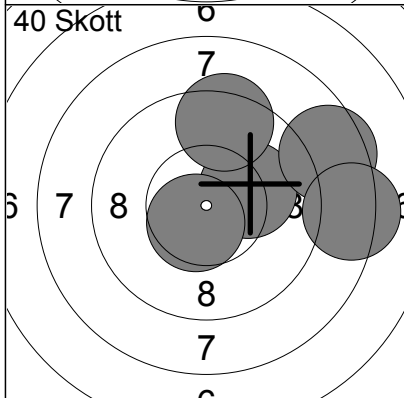
36:	9.8	↘
37:	7.3	↗
38:	9.8	←
39:	10.2x	←
40:	8.5	↘
Serie	43.0	
Total	338.0	



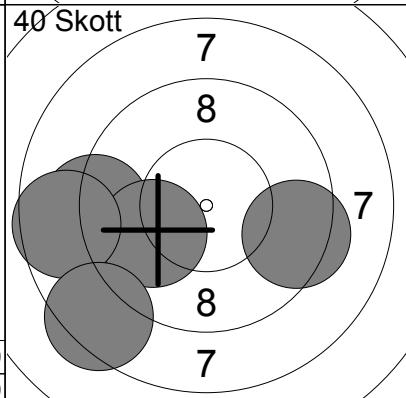
1:	7.2	↗
2:	9.8	→
3:	9.4	→
4:	9.6	→
5:	9.1	↙
6:	10.3x	↓
7:	9.2	↗
8:	10.6x	↑
9:	10.1	→
10:	10.2x	←
Serie	92.0	
Total	0.0	



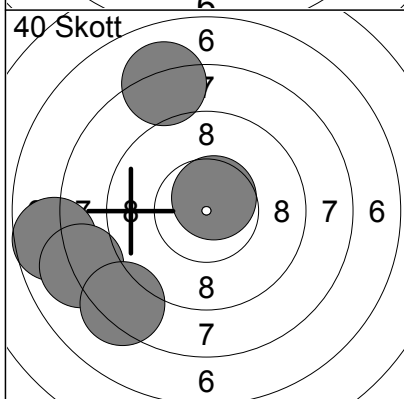
11:	10.5x	←
Serie	10.0	
Total	0.0	



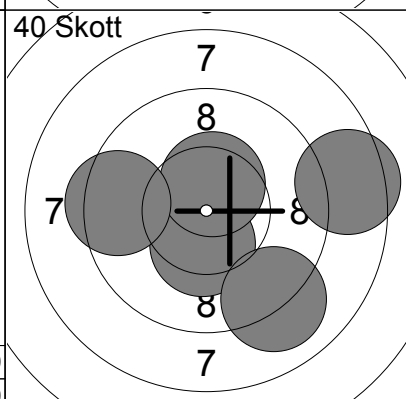
1:	10.1	→
2:	8.5	→
3:	10.6x	↙
4:	9.4	↑
5:	8.3	→
Serie	45.0	
Total	45.0	



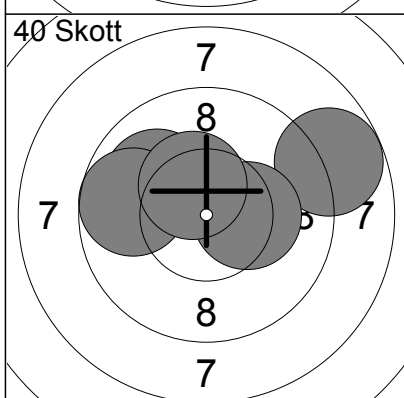
6:	9.1	←
7:	10.0	←
8:	9.4	→
9:	8.6	←
10:	8.4	↙
Serie	44.0	
Total	89.0	



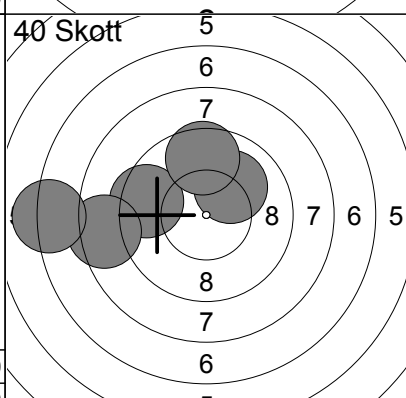
11:	10.6x	↗
12:	7.7	←
13:	8.1	↗
14:	8.1	←
15:	8.3	↙
Serie	41.0	
Total	130.0	



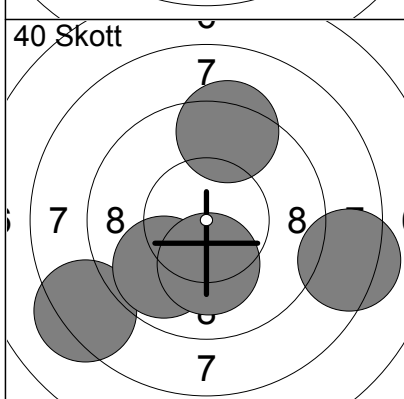
16:	10.4x	↓
17:	8.5	→
18:	9.0	↙
19:	10.5x	↑
20:	9.4	←
Serie	46.0	
Total	176.0	



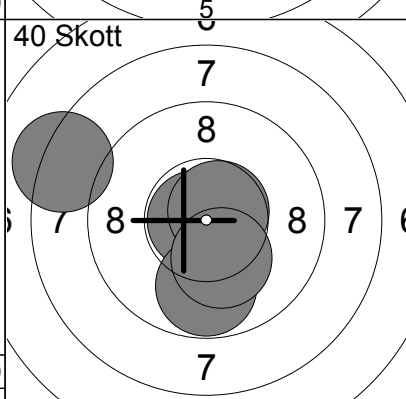
21:	8.8	→
22:	10.0	↗
23:	9.7	←
24:	10.3x	→
25:	10.4x	↗
Serie	47.0	
Total	223.0	



26:	9.5	←
27:	8.4	←
28:	7.1	←
29:	10.1	↗
30:	9.6	↑
Serie	43.0	
Total	266.0	



31:	8.3	←
32:	9.8	↙
33:	8.3	→
34:	9.3	↑
35:	10.2x	↓
Serie	44.0	
Total	310.0	



36:	10.8x	←
37:	8.2	←
38:	9.8	↓
39:	10.7x	↗
40:	10.2x	↓
Serie	47.0	
Total	357.0	

Skjutlag
3

Tavla
34

Lennart Westermark

10m

Drängsmark

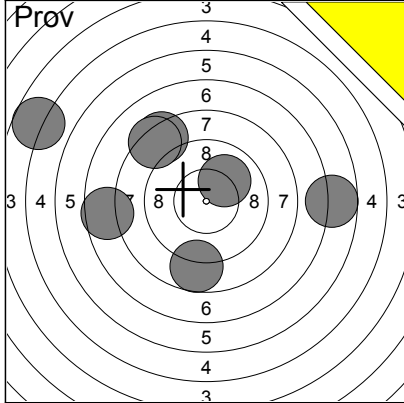
Vet

Vb

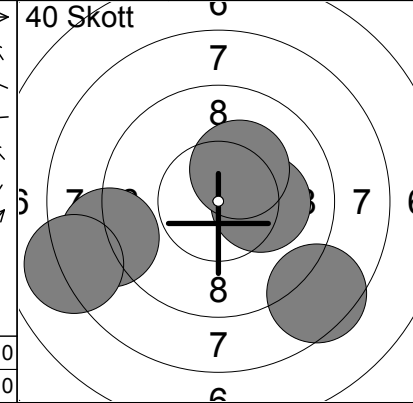
01.11.2015

Vindelnskottet 2015

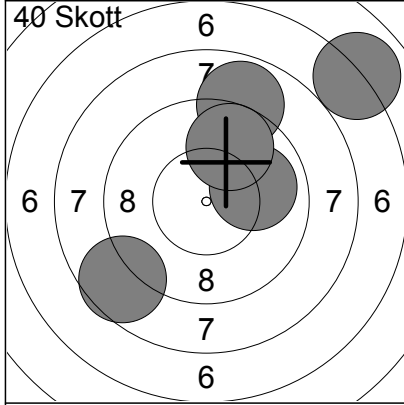
Ramselefors SKF



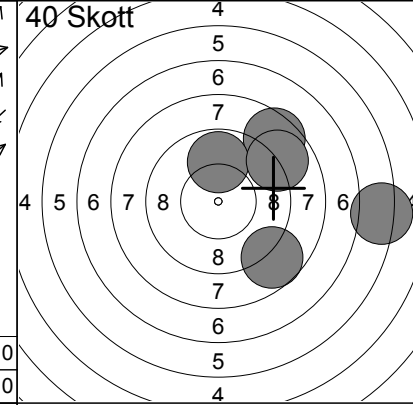
1:	6.7	→
2:	8.3	↗
3:	4.7	↗
4:	7.6	←
5:	8.3	↗
6:	8.7	↓
7:	10.0	↗
Serie		51.0
Total		0.0



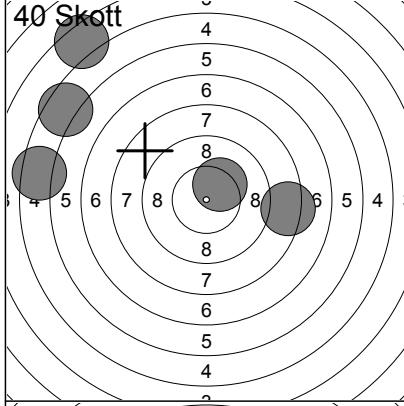
1:	10.2x	→
2:	8.5	↘
3:	8.9	←
4:	8.1	←
5:	10.3x	↗
Serie		44.0
Total		44.0



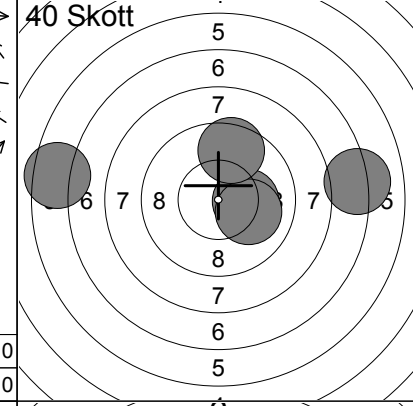
6:	8.9	↑
7:	9.9	→
8:	9.7	↑
9:	8.6	←
10:	7.0	↗
Serie		41.0
Total		85.0



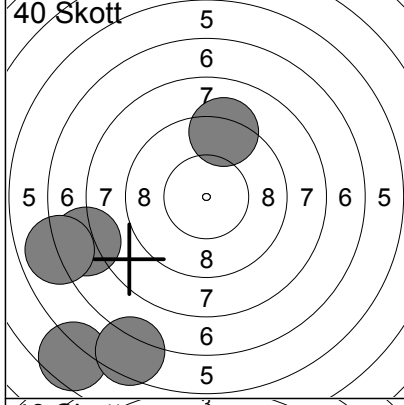
11:	8.5	↗
12:	8.7	↘
13:	9.8	↑
14:	8.9	↗
15:	6.2	→
Serie		39.0
Total		124.0



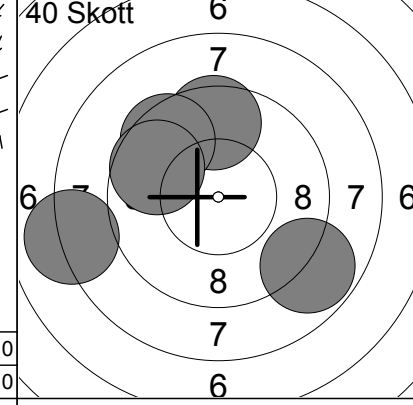
16:	8.3	→
17:	4.4	↗
18:	5.4	←
19:	5.5	↗
20:	10.3x	↗
Serie		32.0
Total		156.0



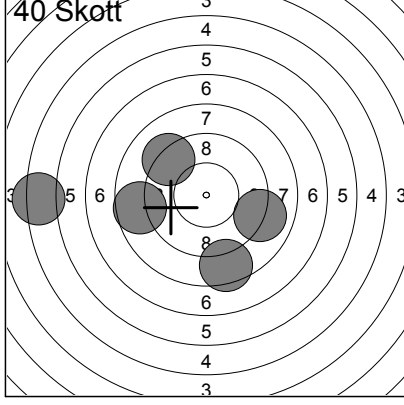
21:	7.1	→
22:	10.2x	→
23:	10.1	→
24:	9.6	↑
25:	6.5	←
Serie		42.0
Total		198.0



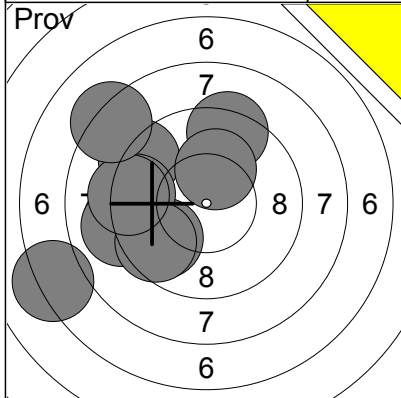
26:	5.6	↘
27:	6.5	↘
28:	7.6	←
29:	6.9	←
30:	9.2	↑
Serie		33.0
Total		231.0



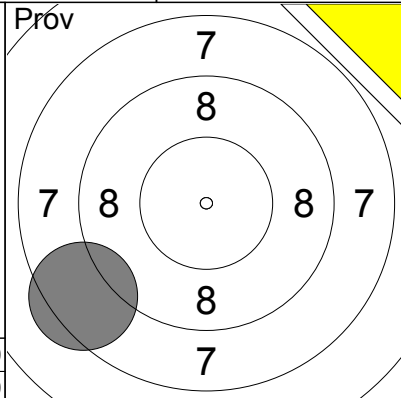
31:	9.6	↑
32:	8.1	←
33:	8.8	↘
34:	9.5	↗
35:	9.7	↗
Serie		43.0
Total		274.0



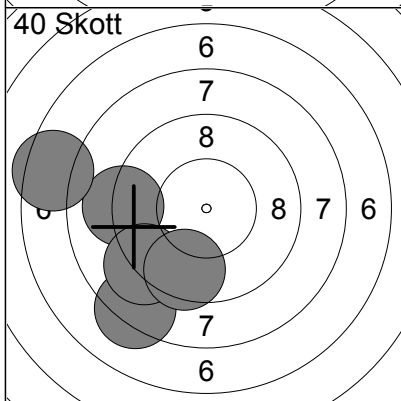
36:	8.5	↘
37:	9.2	↗
38:	8.7	←
39:	9.0	↘
40:	5.3	←
Serie		39.0
Total		313.0



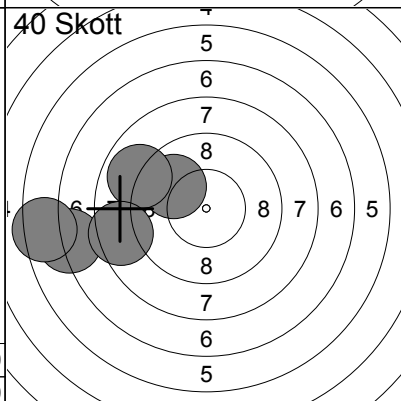
1:	9.7	↙
2:	9.2	↖
3:	9.0	↖
4:	9.3	↖
5:	9.4	↖
6:	9.6	↖
7:	9.2	↖
8:	8.2	↖
9:	10.2x	↖
10:	7.2	↖
Serie	88.0	
Total	0.0	



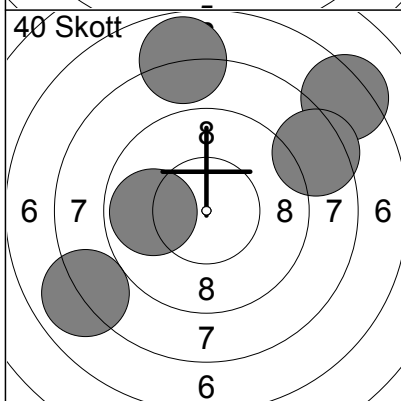
11:	8.4	↖
Serie	8.0	
Total	0.0	



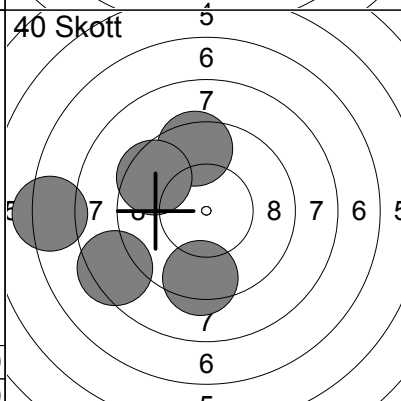
1:	9.1	↖
2:	8.2	↖
3:	9.1	↖
4:	7.4	↖
5:	9.5	↖
Serie	42.0	
Total	42.0	



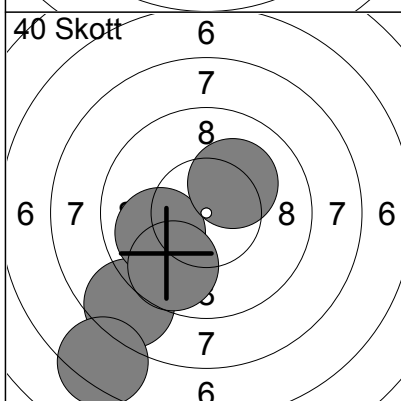
6:	7.0	↖
7:	9.9	↖
8:	8.9	↖
9:	8.5	↖
10:	6.4	↖
Serie	38.0	
Total	80.0	



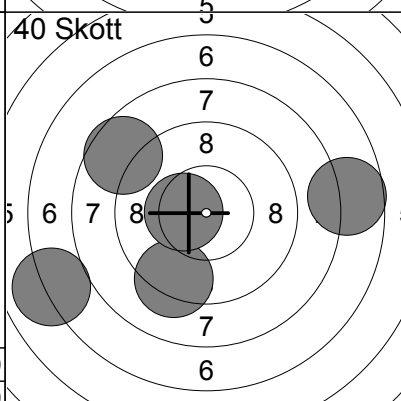
11:	7.9	↖
12:	8.0	↖
13:	7.3	↖
14:	8.4	↖
15:	9.9	↖
Serie	39.0	
Total	119.0	



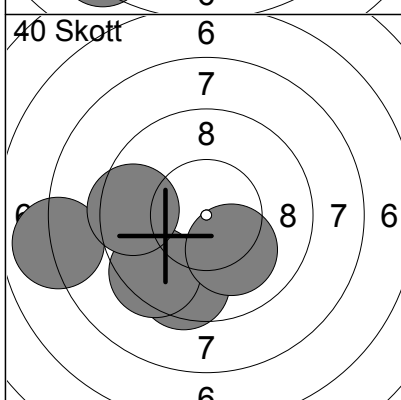
16:	9.5	↖
17:	9.5	↖
18:	9.3	↖
19:	8.4	↖
20:	7.3	↖
Serie	42.0	
Total	161.0	



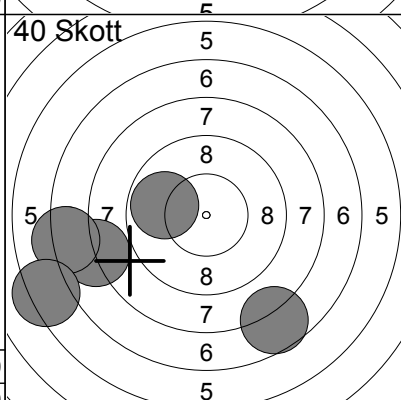
21:	8.6	↖
22:	10.0	↖
23:	9.7	↖
24:	7.3	↖
25:	10.2x	↖
Serie	44.0	
Total	205.0	



26:	8.6	↖
27:	7.0	↖
28:	9.3	↖
29:	10.4x	↖
30:	7.7	↖
Serie	41.0	
Total	246.0	

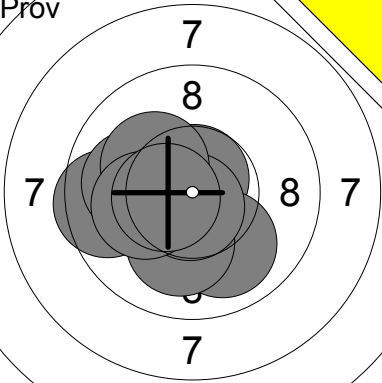
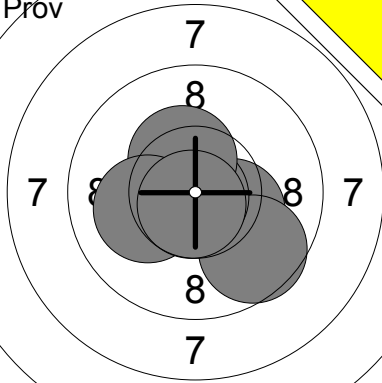
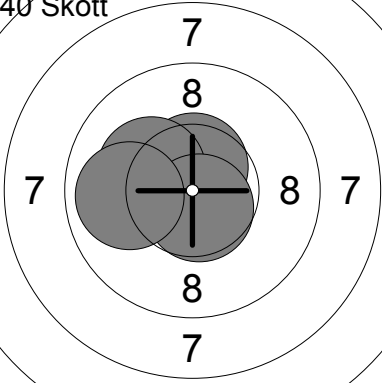
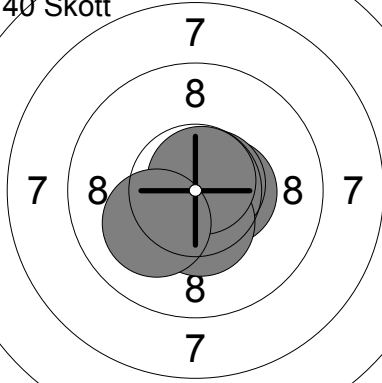
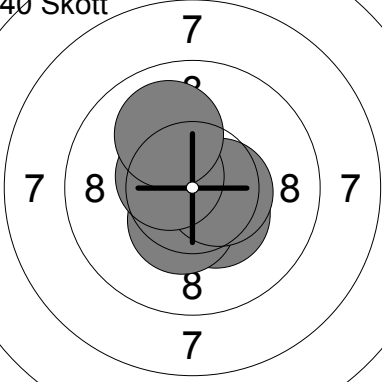
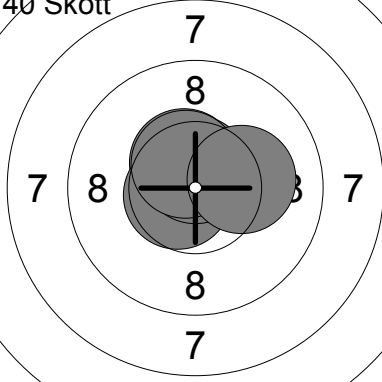
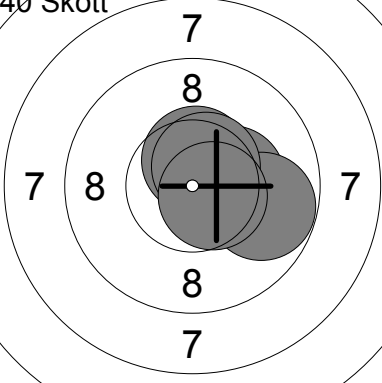
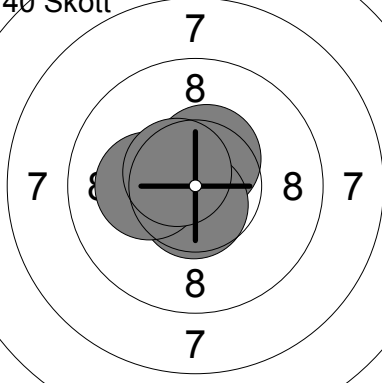
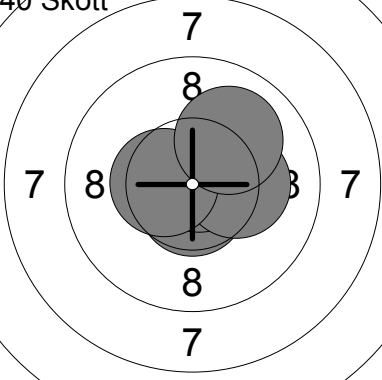
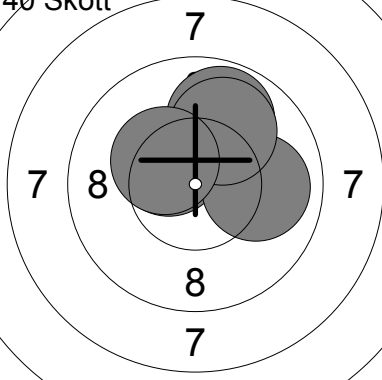


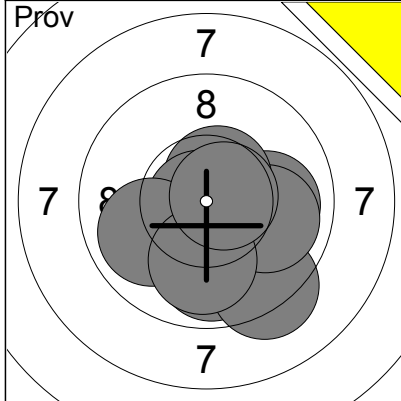
31:	9.5	↖
32:	8.0	↖
33:	9.4	↖
34:	10.1	↖
35:	9.5	↖
Serie	45.0	
Total	291.0	



36:	7.9	↖
37:	7.7	↖
38:	9.8	↖
39:	7.2	↖
40:	6.3	↖
Serie	36.0	
Total	327.0	

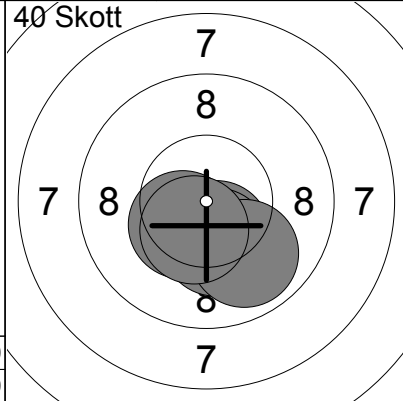
10m		Rönnskär	11	Vb	
01.11.2015		Vindelnskottet 2015	Ramselefors SKF		
Pröv 	1: 10.6x → 2: 10.3x ↓ 3: 10.1 → 4: 10.2x → 5: 10.5x ↗ 6: 9.9 → 7: 10.1 ↓ 8: 9.5 → 9: 10.4x ↓ 10: 9.8 ↓	Pröv 	11: 10.1 ↗ 12: 10.2x ←	Serie 97.0 Total 0.0	Serie 20.0 Total 0.0
40 Skott 	1: 10.7x ← 2: 10.1 → 3: 10.5x → 4: 10.7x ← 5: 10.7x ↗	40 Skott 	6: 10.3x ↑ 7: 10.1 → 8: 10.0 ← 9: 10.0 → 10: 10.5x ←	Serie 50.0 Total 50.0	Serie 50.0 Total 100.0
40 Skott 	11: 10.3x ↓ 12: 10.3x ↓ 13: 9.6 ↗ 14: 10.2x → 15: 10.2x ↓	40 Skott 	16: 9.6 ↓ 17: 10.4x ↓ 18: 10.1 ↓ 19: 10.3x → 20: 10.2x ↓	Serie 49.0 Total 149.0	Serie 49.0 Total 198.0
40 Skott 	21: 10.2x → 22: 9.6 ↓ 23: 10.0 ← 24: 10.6x ↗ 25: 10.2x ↗	40 Skott 	26: 10.7x ↑ 27: 9.2 → 28: 10.1 ↗ 29: 9.3 → 30: 10.0 ↓	Serie 49.0 Total 247.0	Serie 48.0 Total 295.0
40 Skott 	31: 10.2x ↓ 32: 9.7 → 33: 9.4 → 34: 9.8 ↓ 35: 8.3 →	40 Skott 	36: 9.6 ↓ 37: 10.0 ↗ 38: 10.1 → 39: 9.6 ↓ 40: 10.1 ↓	Serie 45.0 Total 340.0	Serie 48.0 Total 388.0

Pröv 	1: 10.7x ↑ 2: 10.0 ↓ 3: 10.4x ← 4: 10.1 ↓ 5: 9.5 ← 6: 10.0 ← 7: 10.7x ↓ 8: 10.2x ↑ 9: 10.2x ← 10: 10.5x ← Serie 99.0 Total 0.0	Pröv 	11: 10.3x → 12: 9.6 ↓ 13: 10.9x ↓ 14: 10.4x ↑ 15: 10.1 ← 16: 10.7x ↓ Serie 59.0 Total 0.0
40 Skott 	1: 10.6x ↑ 2: 10.6x ↑ 3: 10.2x ↑ 4: 10.6x ↓ 5: 9.9 ← Serie 49.0 Total 49.0	40 Skott 	6: 10.5x → 7: 10.7x → 8: 10.4x ↓ 9: 10.8x ↑ 10: 10.1 ← Serie 50.0 Total 99.0
40 Skott 	11: 10.4x ↓ 12: 10.4x ↓ 13: 10.5x → 14: 10.5x ↑ 15: 10.0 ↑ Serie 50.0 Total 149.0	40 Skott 	16: 10.5x ↑ 17: 10.6x ← 18: 10.7x ↑ 19: 10.5x ↑ 20: 10.2x → Serie 50.0 Total 199.0
40 Skott 	21: 10.3x → 22: 9.8 → 23: 10.5x ↑ 24: 10.6x ↑ 25: 10.6x → Serie 49.0 Total 248.0	40 Skott 	26: 10.7x ← 27: 10.5x ↑ 28: 10.6x ↓ 29: 10.2x ← 30: 10.6x ↑ Serie 50.0 Total 298.0
40 Skott 	31: 10.6x ↓ 32: 10.8x ↑ 33: 10.2x → 34: 10.5x ← 35: 10.0 ↑ Serie 50.0 Total 348.0	40 Skott 	36: 9.8 ↑ 37: 10.4x ↑ 38: 10.0 → 39: 10.0 ↑ 40: 10.3x ↑ Serie 49.0 Total 397.0



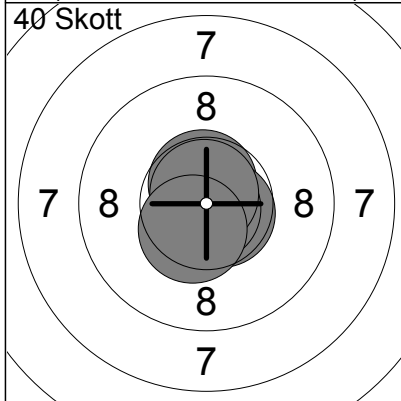
40 Skott

1:	9.9	↓
2:	9.3	↓
3:	10.0	→
4:	10.4x	↓
5:	9.9	→
6:	10.6x	↑
7:	10.8x	←
8:	9.9	←
9:	10.0	↓
10:	10.6x	→
Serie	96.0	
Total	0.0	



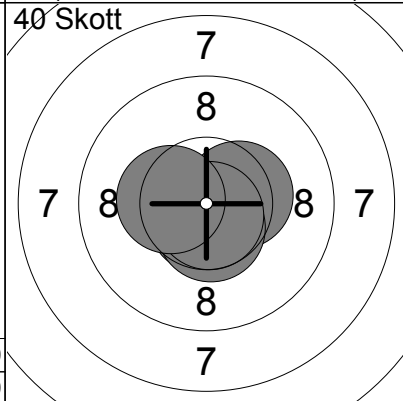
40 Skott

1:	10.4x	↙
2:	10.4x	↓
3:	10.3x	↓
4:	9.9	↓
5:	10.4x	↓
Serie	49.0	
Total	49.0	



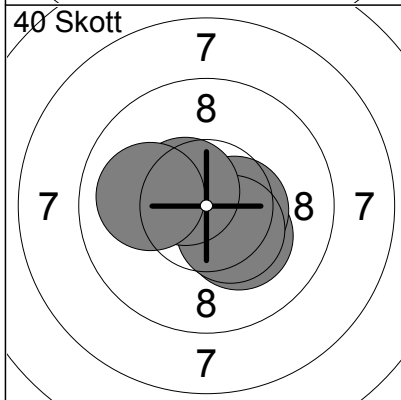
40 Skott

6:	10.6x	↑
7:	10.7x	↓
8:	10.9x	↓
9:	10.8x	↑
10:	10.5x	↓
Serie	50.0	
Total	99.0	



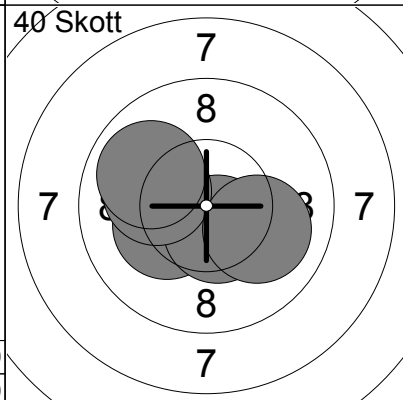
40 Skott

11:	10.7x	↓
12:	10.4x	→
13:	10.5x	↓
14:	10.7x	↓
15:	10.4x	←
Serie	50.0	
Total	149.0	



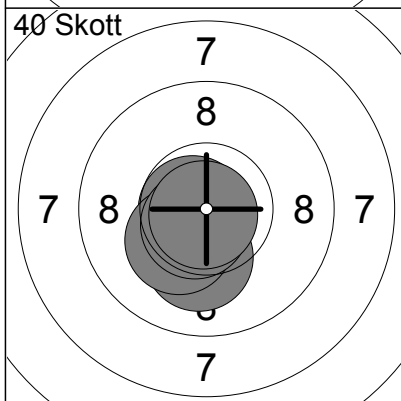
40 Skott

16:	10.2x	↓
17:	10.5x	→
18:	10.4x	↓
19:	10.5x	↑
20:	10.0	←
Serie	50.0	
Total	199.0	



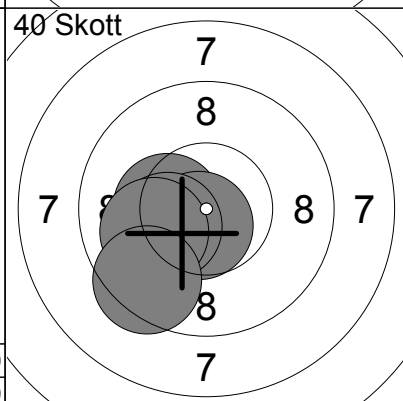
40 Skott

21:	10.2x	←
22:	10.5x	↓
23:	10.1	←
24:	9.9	←
25:	10.0	→
Serie	49.0	
Total	248.0	



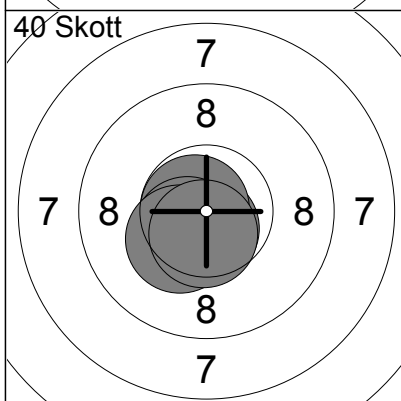
40 Skott

26:	10.1	↓
27:	10.7x	←
28:	10.3x	↓
29:	10.6x	↓
30:	10.8x	↓
Serie	50.0	
Total	298.0	



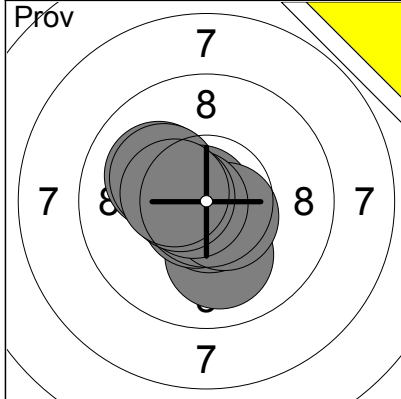
40 Skott

31:	10.3x	←
32:	10.6x	↓
33:	10.3x	←
34:	10.0	←
35:	9.4	↓
Serie	49.0	
Total	347.0	



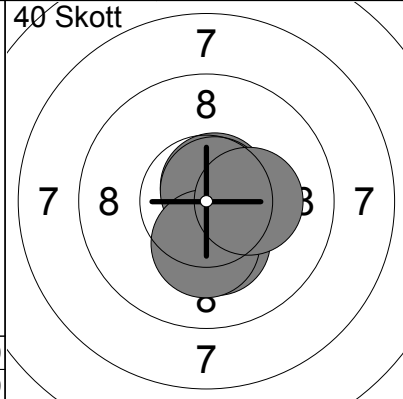
40 Skott

36:	10.7x	↓
37:	10.8x	←
38:	10.5x	↓
39:	10.3x	↓
40:	10.6x	↓
Serie	50.0	
Total	397.0	



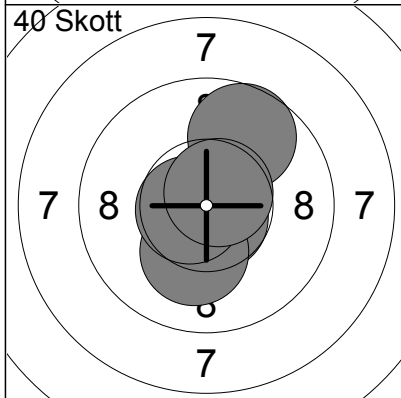
40 Skott

1:	10.0	↓
2:	10.7x	↓
3:	10.7x	↙
4:	10.1	↗
5:	10.1	↗
6:	10.8x	↗
7:	10.6x	↓
8:	10.7x	←
9:	10.5x	←
10:	10.4x	←
Serie	100.0	
Total	0.0	



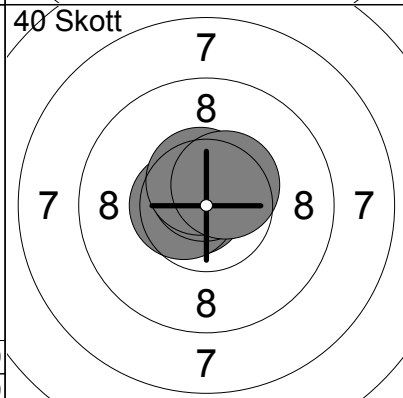
40 Skott

1:	10.7x	↗
2:	10.3x	↓
3:	10.7x	↗
4:	10.3x	↓
5:	10.3x	→
Serie	50.0	
Total	50.0	



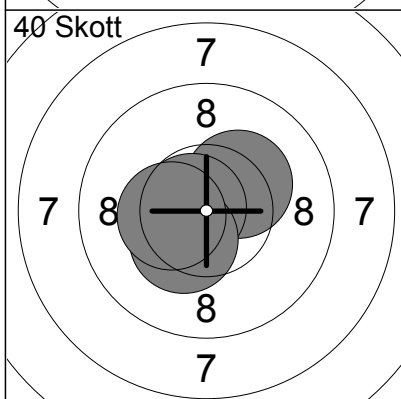
40 Skott

6:	10.7x	↓
7:	10.2x	↓
8:	10.7x	←
9:	9.7	↗
10:	10.7x	↗
Serie	49.0	
Total	99.0	



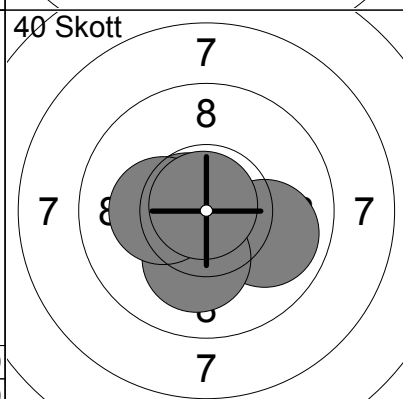
40 Skott

11:	10.7x	←
12:	10.6x	←
13:	10.6x	↑
14:	10.5x	↑
15:	10.5x	↗
Serie	50.0	
Total	149.0	



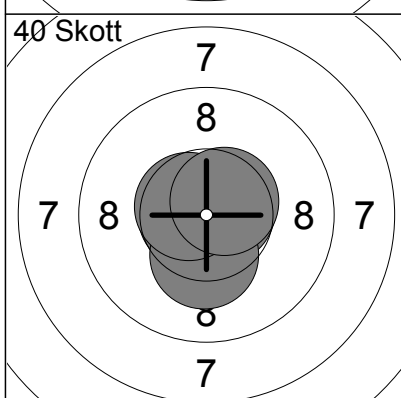
40 Skott

16:	10.5x	←
17:	10.3x	↗
18:	10.7x	←
19:	10.3x	↓
20:	10.4x	←
Serie	50.0	
Total	199.0	



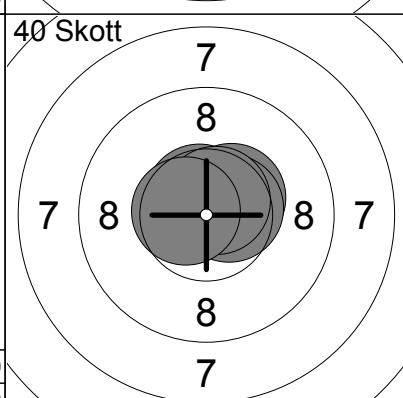
40 Skott

21:	9.9	→
22:	10.6x	←
23:	10.1	↓
24:	10.2x	←
25:	10.8x	↗
Serie	49.0	
Total	248.0	



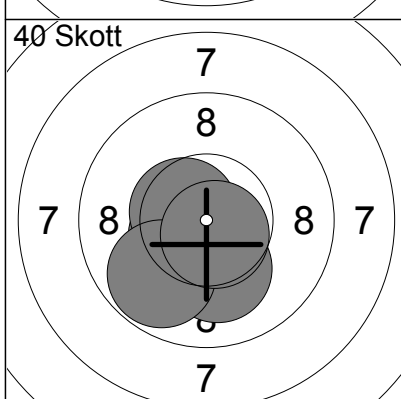
40 Skott

26:	10.7x	→
27:	10.7x	←
28:	10.3x	↓
29:	10.6x	↙
30:	10.6x	↗
Serie	50.0	
Total	298.0	



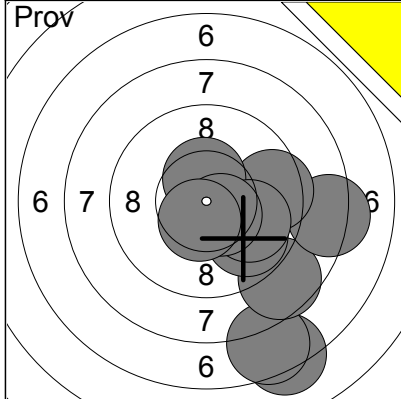
40 Skott

31:	10.4x	↗
32:	10.6x	→
33:	10.6x	↗
34:	10.7x	↗
35:	10.6x	←
Serie	50.0	
Total	348.0	

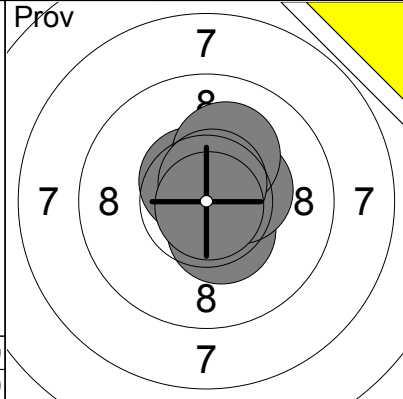


40 Skott

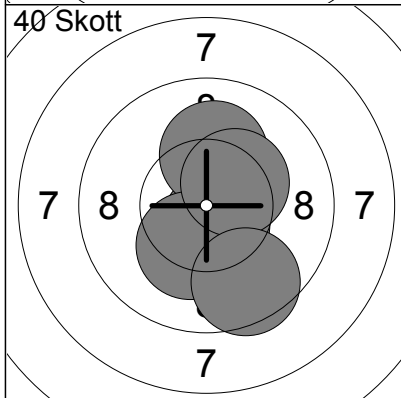
36:	10.5x	←
37:	10.1	↓
38:	10.5x	←
39:	9.8	↙
40:	10.7x	↓
Serie	49.0	
Total	397.0	



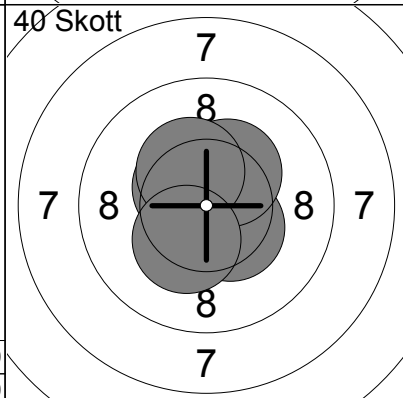
1:	7.2	↓
2:	7.6	↓
3:	8.6	↓
4:	8.3	→
5:	9.8	↓
6:	9.5	→
7:	10.5x	↑
8:	9.9	↓
9:	10.5x	↓
10:	10.5x	↓
Serie	87.0	
Total	0.0	



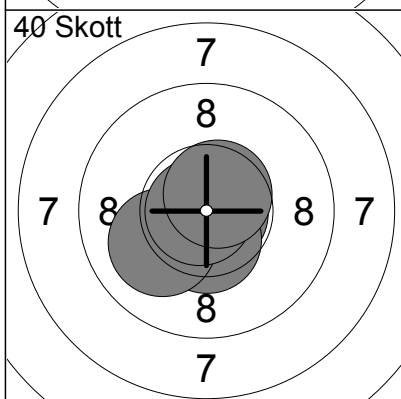
11:	10.4x	↓
12:	10.4x	→
13:	10.6x	↗
14:	10.1	↗
15:	10.6x	↑
16:	10.9x	↓
Serie	60.0	
Total	0.0	



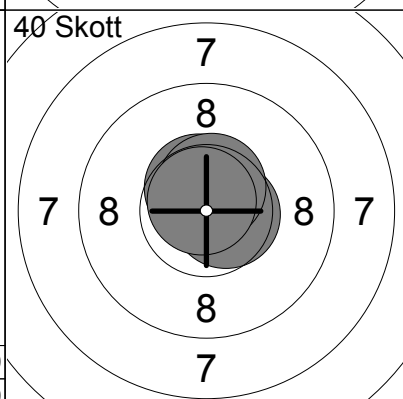
1:	10.6x	↓
2:	10.1	↑
3:	10.2x	↓
4:	10.3x	↗
5:	9.5	↓
Serie	49.0	
Total	49.0	



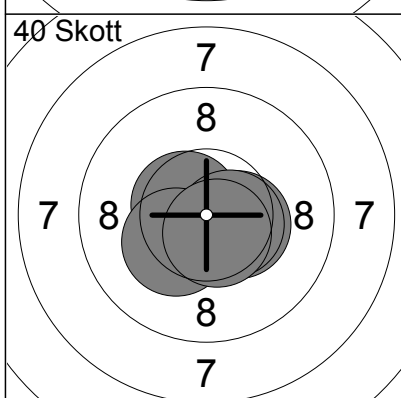
6:	10.4x	↓
7:	10.5x	↗
8:	10.3x	↗
9:	10.3x	↗
10:	10.3x	↓
Serie	50.0	
Total	99.0	



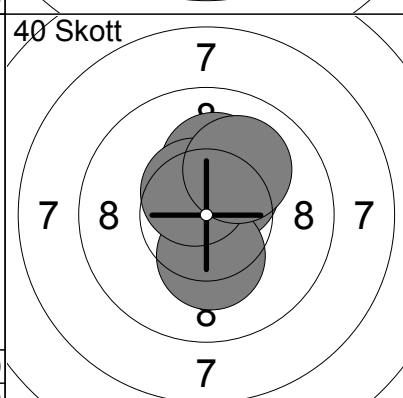
11:	10.8x	→
12:	10.5x	↓
13:	10.1	←
14:	10.8x	←
15:	10.6x	↗
Serie	50.0	
Total	149.0	



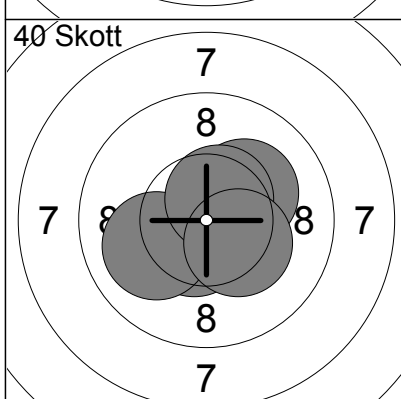
16:	10.7x	↑
17:	10.6x	→
18:	10.6x	↑
19:	10.6x	↑
20:	10.8x	↗
Serie	50.0	
Total	199.0	



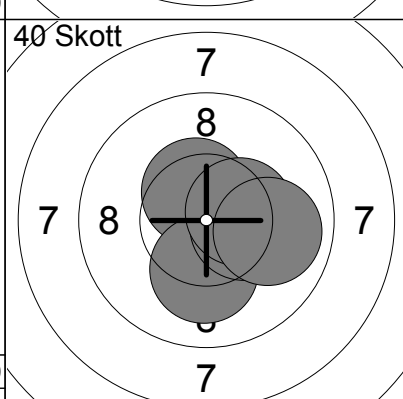
21:	10.4x	→
22:	10.6x	↗
23:	10.3x	↓
24:	10.5x	→
25:	10.6x	↓
Serie	50.0	
Total	249.0	



26:	10.1	↑
27:	10.4x	↗
28:	10.3x	↓
29:	10.5x	↗
30:	10.0	↗
Serie	50.0	
Total	299.0	



31:	10.5x	↓
32:	10.0	←
33:	10.2x	↗
34:	10.5x	↗
35:	10.3x	↘
Serie	50.0	
Total	349.0	



36:	10.5x	↗
37:	10.1	↓
38:	10.3x	→
39:	10.4x	→
40:	9.9	→
Serie	49.0	
Total	398.0	