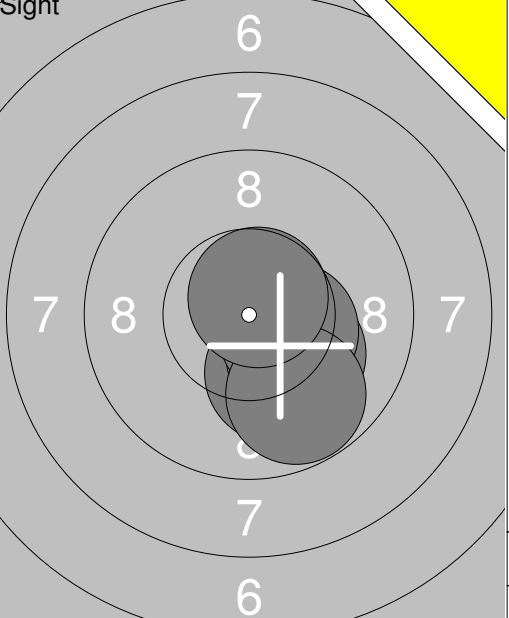
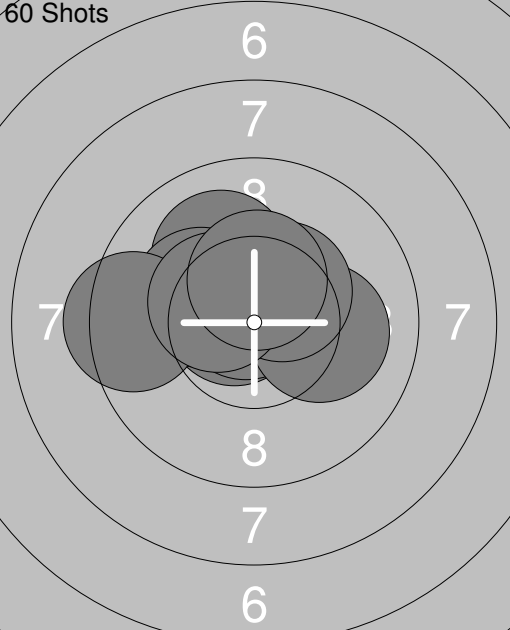
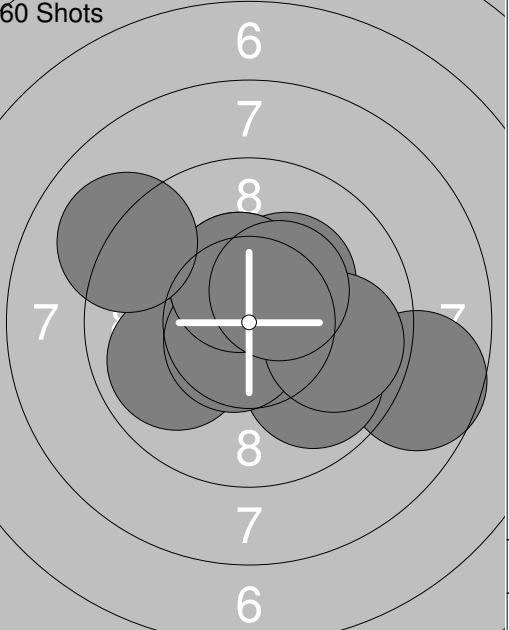
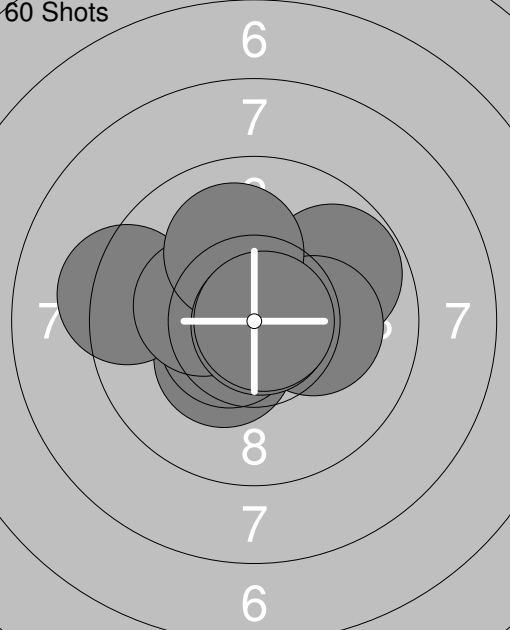
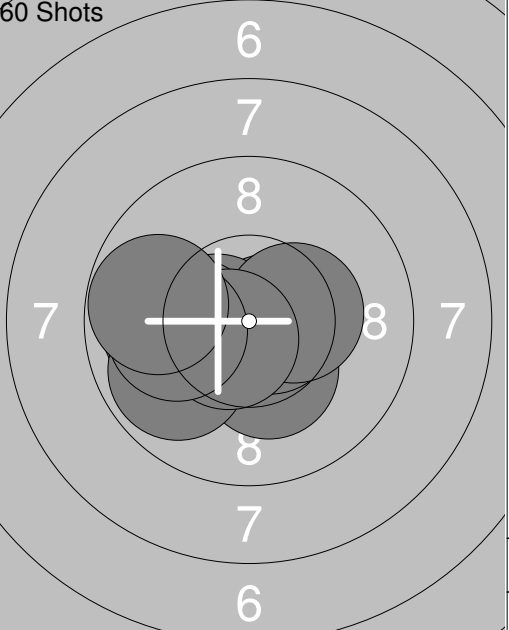
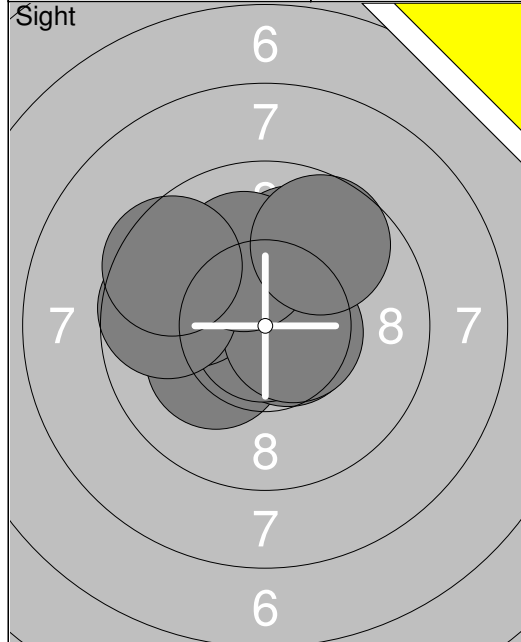
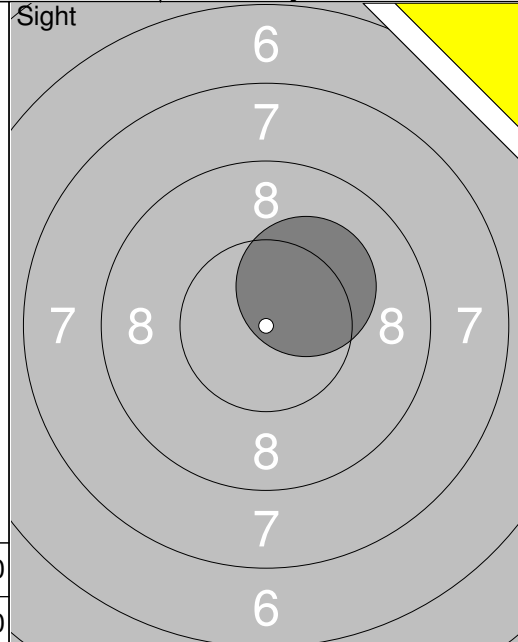
 <p style="text-align:center;">Sight</p>	<p>1: 9.6 ↘</p> <p>2: 10.1 ↙</p> <p>3: 9.7 ←</p> <p>4: 10.6x ↑</p> <p>5: 10.8x ↓</p> <p>6: 10.0 →</p> <p>7: 10.1 →</p> <p>8: 10.7x ↓</p> <p>9: 10.7x ↑</p> <p>10: 10.5x ↙</p>	 <p style="text-align:center;">Sight</p>	<p>11: 10.1 ↓</p> <p>12: 10.2x ↘</p> <p>13: 10.4x →</p> <p>14: 9.8 ↓</p> <p>15: 10.7x ↑</p>
Series 98.0		Series 49.0	
Total 0.0		Total 0.0	

 <p style="text-align:center;">60 Shots</p>	<p>1: 10.3x ↑</p> <p>2: 10.7x ↙</p> <p>3: 10.8x ↗</p> <p>4: 10.1 →</p> <p>5: 10.4x ↗</p> <p>6: 10.1 ↑</p> <p>7: 10.2x ↙</p> <p>8: 9.4 ←</p> <p>9: 10.4x ↙</p> <p>10: 10.4x ↑</p>	 <p style="text-align:center;">60 Shots</p>	<p>11: 8.7 →</p> <p>12: 9.9 ↓</p> <p>13: 9.9 ↙</p> <p>14: 10.4x ↑</p> <p>15: 10.6x ↙</p> <p>16: 10.3x ↗</p> <p>17: 9.8 →</p> <p>18: 10.4x ↑</p> <p>19: 10.4x ↗</p> <p>20: 9.1 ↙</p>
Series 99.0		Series 94.0	
Total 99.0		Total 193.0	

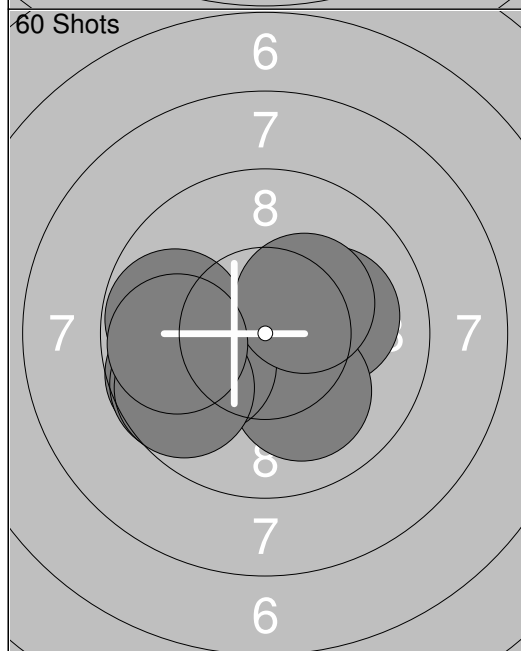
 <p style="text-align:center;">60 Shots</p>	<p>21: 10.3x ↙</p> <p>22: 9.3 ←</p> <p>23: 10.8x ↗</p> <p>24: 9.8 →</p> <p>25: 10.6x ↙</p> <p>26: 10.2x →</p> <p>27: 10.3x ↙</p> <p>28: 10.0 ↑</p> <p>29: 10.8x ↘</p> <p>30: 10.8x →</p>	 <p style="text-align:center;">60 Shots</p>	<p>31: 10.3x ↓</p> <p>32: 10.7x →</p> <p>33: 10.0 ←</p> <p>34: 10.5x ↙</p> <p>35: 10.2x ↙</p> <p>36: 10.4x →</p> <p>37: 9.8 ↙</p> <p>38: 10.6x ↙</p> <p>39: 10.0 ←</p> <p>40: 9.8 ←</p>
Series 98.0		Series 98.0	
Total 291.0		Total 389.0	



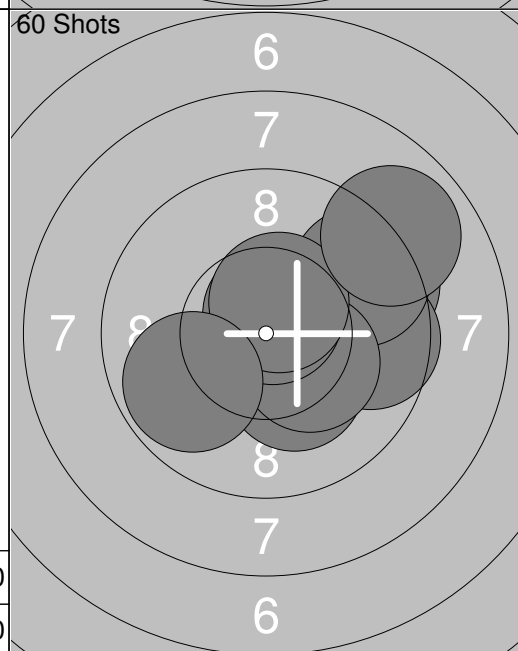
1: 10.2x ↙
2: 10.6x →
3: 10.9x ↓
4: 10.0 ↙
5: 10.0 ↗
6: 10.6x →
7: 9.7 ↙
8: 10.1 ↗
9: 9.5 ↙
10: 9.7 ↗
Series 97.0
Total 0.0



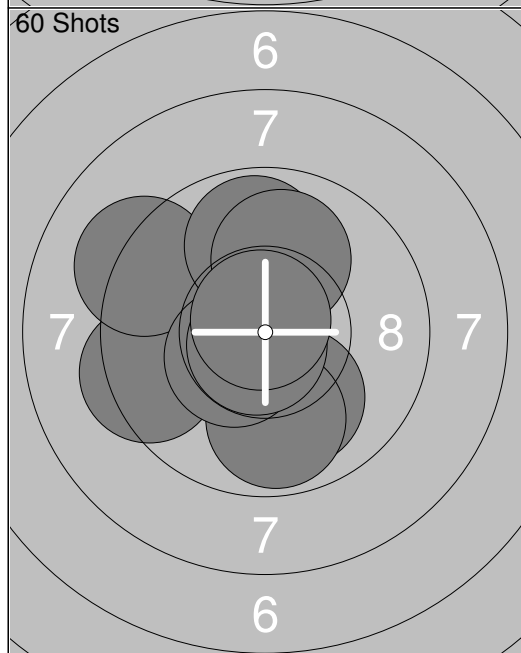
11: 10.2x ↗
Series 10.0
Total 0.0



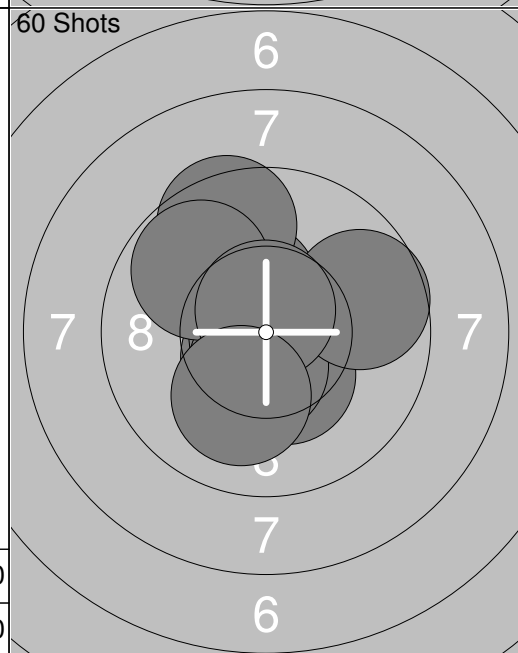
1: 10.6x ↓
2: 10.1 →
3: 10.1 ↓
4: 9.8 ↙
5: 10.1 ↙
6: 9.7 ↙
7: 9.7 ↙
8: 10.3x ↗
9: 9.7 ↙
10: 9.8 ↙
Series 95.0
Total 95.0



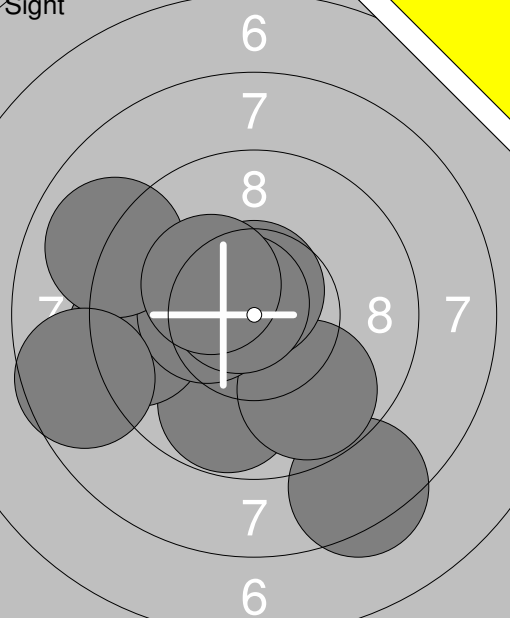
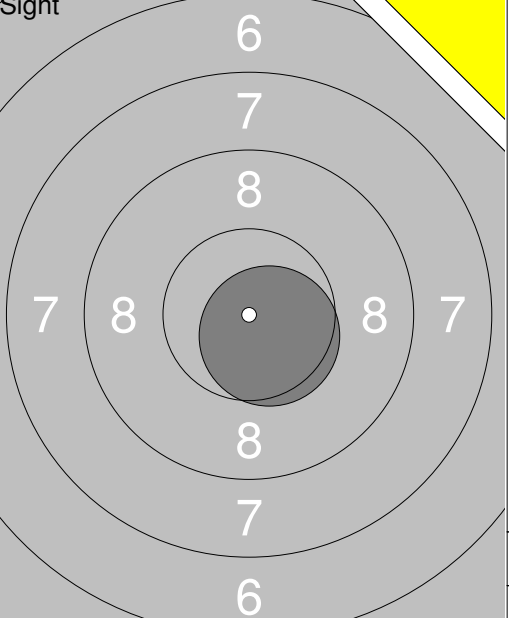
11: 10.6x ↗
12: 9.5 →
13: 9.6 →
14: 10.2x ↓
15: 9.5 ↗
16: 10.3x ↘
17: 10.7x ↗
18: 10.5x ↗
19: 8.9 ↗
20: 9.8 ↙
Series 94.0
Total 189.0

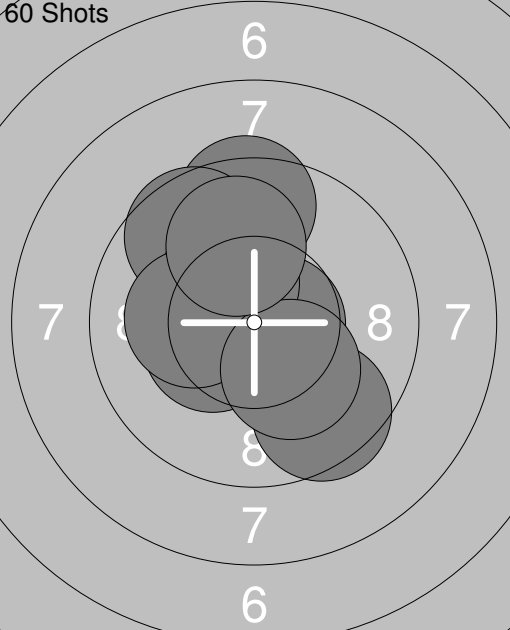
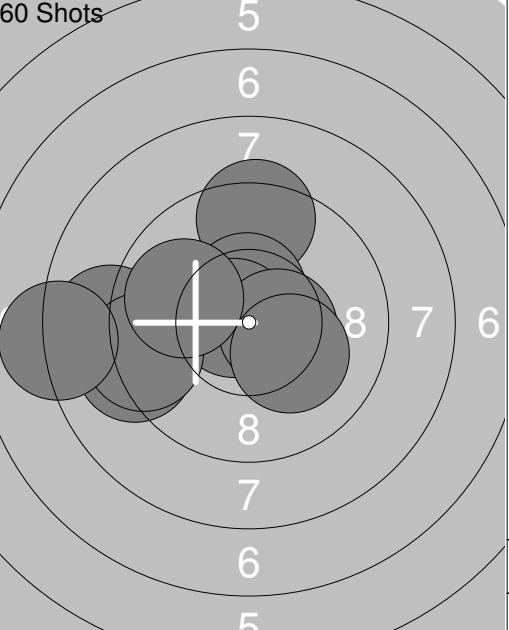


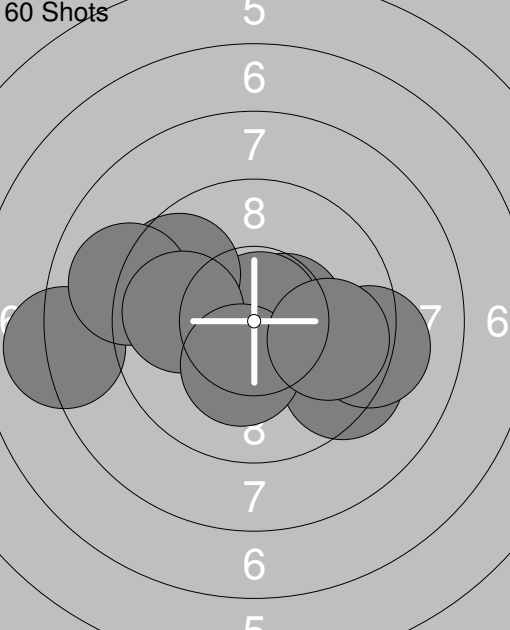
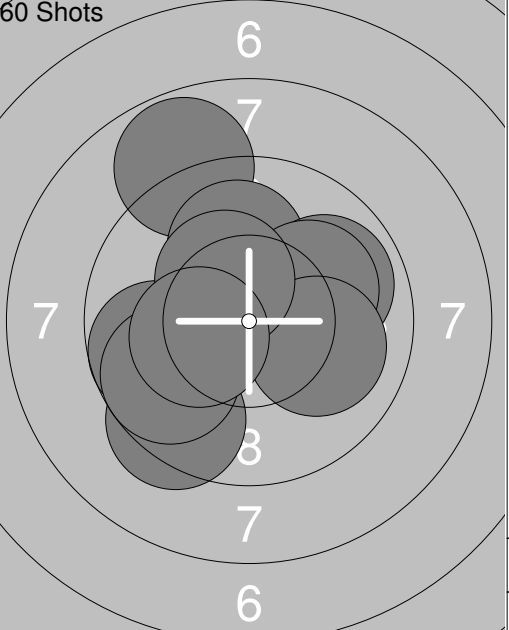
21: 10.1 ↗
22: 9.4 ↙
23: 10.0 ↓
24: 9.8 ↓
25: 9.2 ↙
26: 9.8 ↗
27: 10.4x ↙
28: 10.0 ↗
29: 10.8x ↙
30: 10.8x ↗
Series 96.0
Total 285.0

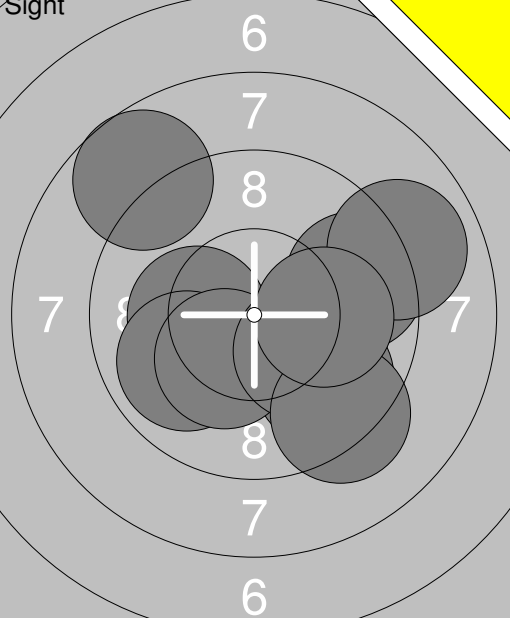
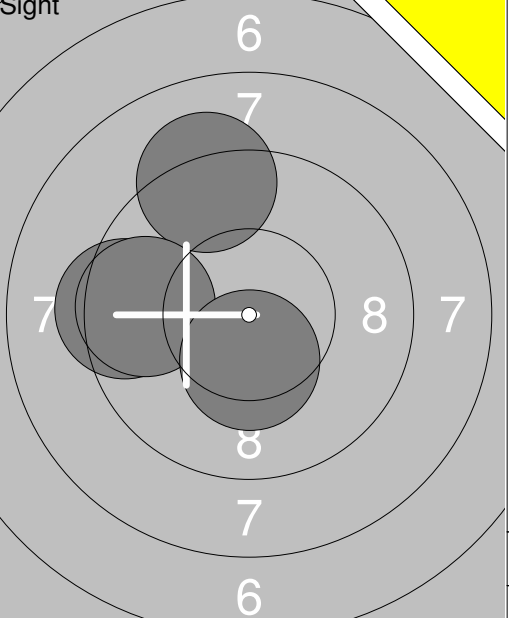


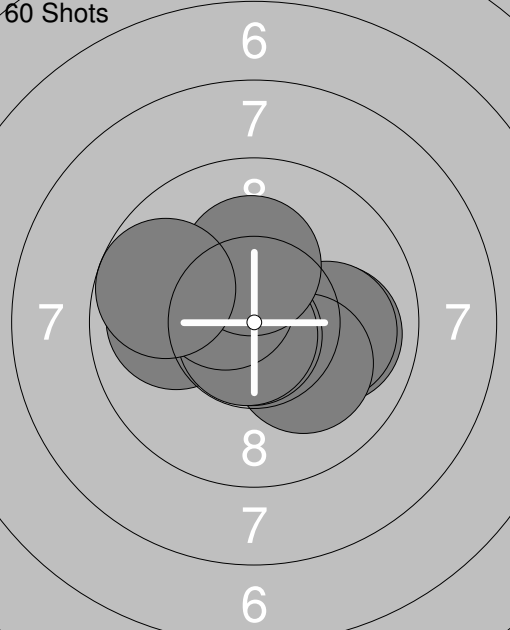
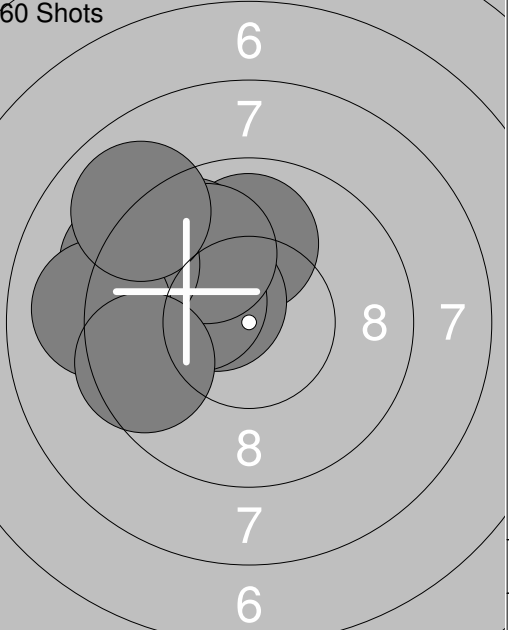
31: 10.6x ↙
32: 10.4x ↓
33: 10.4x ↗
34: 10.8x ↙
35: 9.5 ↗
36: 10.5x ↓
37: 9.7 →
38: 9.8 ↙
39: 10.7x ↗
40: 10.1 ↓
Series 97.0
Total 382.0

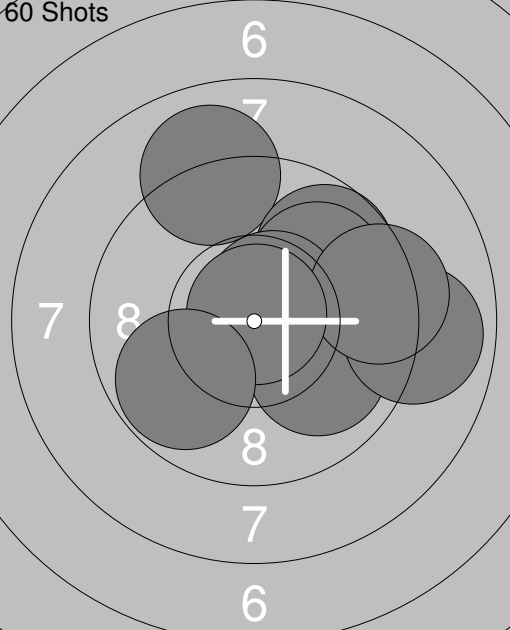
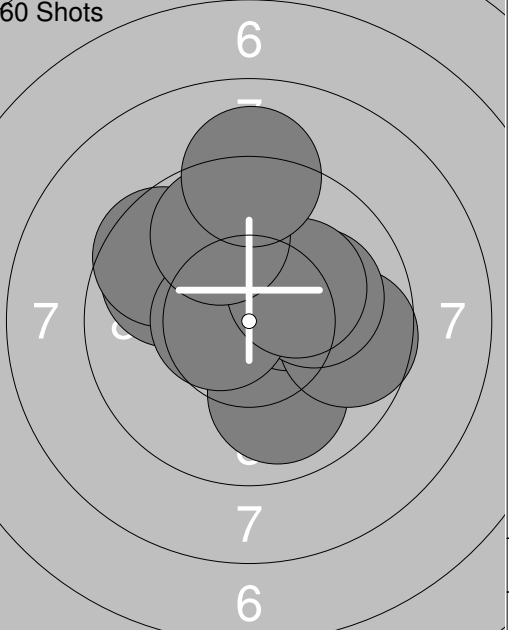
<p>Sight</p> 	<p>1: 8.4 ↘ 2: 9.8 ↘ 3: 9.8 ↘ 4: 10.6x ↑ 5: 9.4 ← 6: 10.3x ← 7: 9.0 ↖ 8: 8.6 ← 9: 10.7x ↖ 10: 10.3x ↖</p> <p>Series 92.0 Total 0.0</p>	<p>Sight</p>  <p>11: 10.6x ↘</p> <p>Series 10.0 Total 0.0</p>
---	--	---

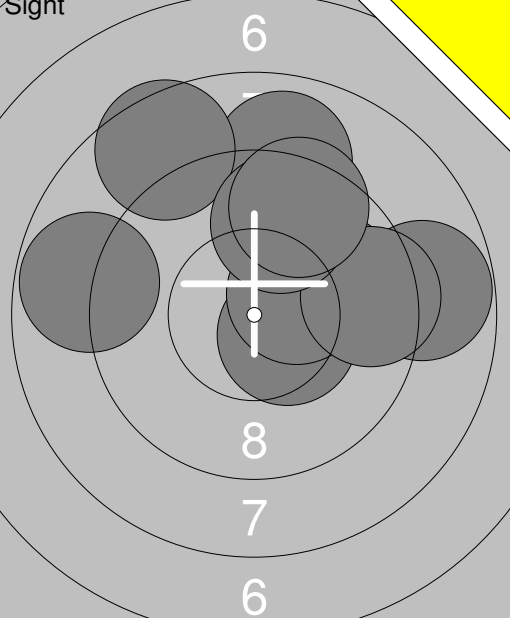
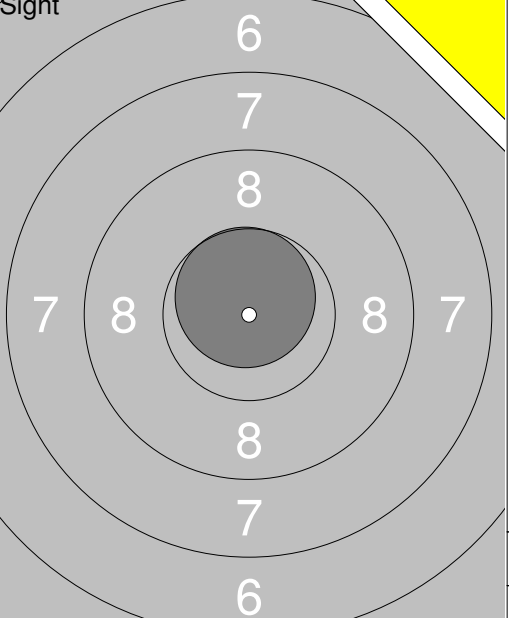
<p>60 Shots</p> 	<p>1: 9.5 ↑ 2: 10.7x → 3: 10.7x ← 4: 10.4x ← 5: 9.6 ↗ 6: 9.5 ↘ 7: 10.4x ↗ 8: 10.2x ← 9: 10.2x ↘ 10: 9.9 ↑</p> <p>Series 96.0 Total 96.0</p>	<p>60 Shots</p>  <p>11: 9.4 ↑ 12: 10.5x ↑ 13: 8.9 ← 14: 10.7x ↖ 15: 10.5x → 16: 10.2x ↘ 17: 9.1 ← 18: 9.3 ← 19: 8.1 ← 20: 9.9 ↖</p> <p>Series 92.0 Total 188.0</p>
---	---	---

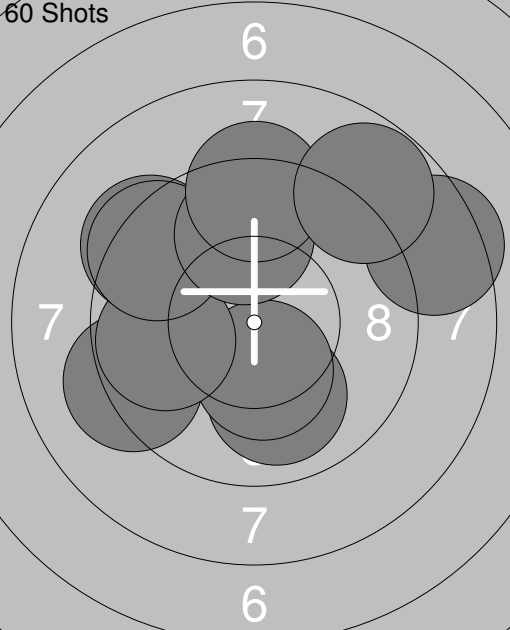
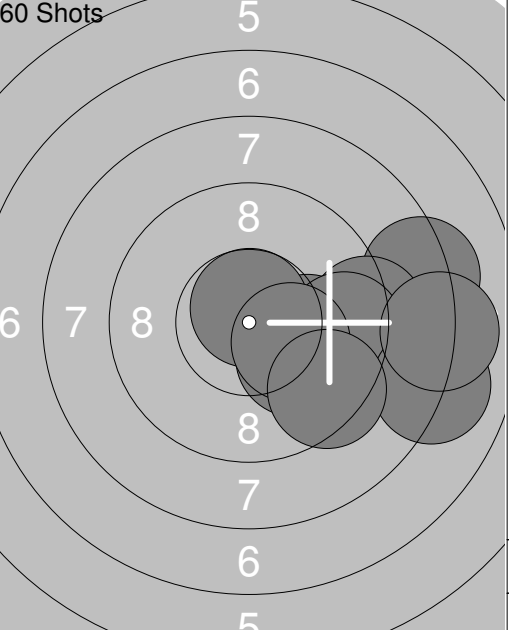
<p>60 Shots</p> 	<p>21: 10.5x → 22: 10.8x ↗ 23: 9.6 ↖ 24: 8.1 ← 25: 9.4 ↘ 26: 9.0 ← 27: 9.9 ← 28: 10.3x ↘ 29: 9.2 → 30: 9.8 →</p> <p>Series 92.0 Total 280.0</p>	<p>60 Shots</p>  <p>31: 9.4 ↘ 32: 9.7 ← 33: 9.7 ↖ 34: 8.8 ↗ 35: 10.0 ↑ 36: 9.9 ↗ 37: 10.1 ↗ 38: 10.0 → 39: 10.3x ↖ 40: 10.3x ←</p> <p>Series 94.0 Total 374.0</p>
--	---	---

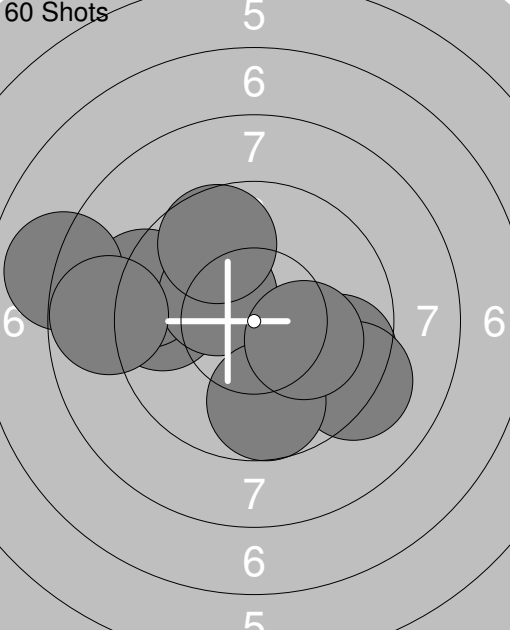
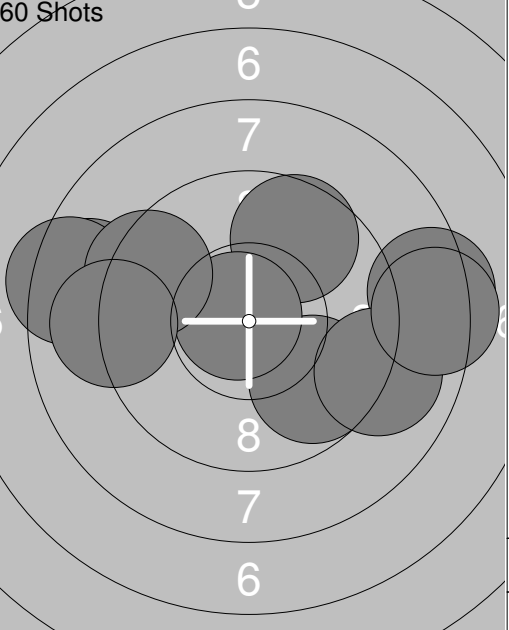
<p><b>Sight</b></p>  <p style="text-align: center;">6 7 8 7 8 7 6</p>	1: 2: 3: 4: 5: 6: 7: 8: 9: 10:	<p><b>Sight</b></p>  <p style="text-align: center;">6 7 8 7 8 7 6</p>	11: 12: 13: 14:	10.2x ← 9.9 ↙ 9.8 ↘ 10.3x ↘ 10.2x ↘ 9.3 ↘ 9.6 → 8.9 ↗ 10.1 → 8.7 ↖	9.2 ↖ 9.4 ← 9.6 ← 10.4x ↓
<b>Series</b>	92.0	<b>Series</b>	37.0		
<b>Total</b>	0.0	<b>Total</b>	0.0		

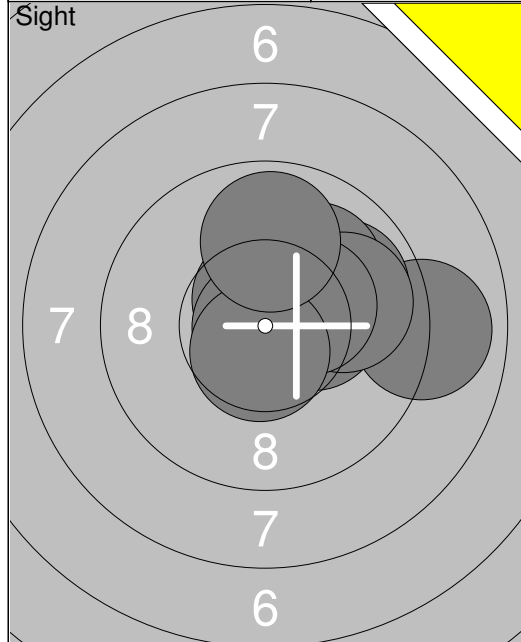
<p><b>60 Shots</b></p>  <p style="text-align: center;">6 7 8 7 8 7 6</p>	1: 2: 3: 4: 5: 6: 7: 8: 9: 10:	<p><b>60 Shots</b></p>  <p style="text-align: center;">6 7 8 7 8 7 6</p>	11: 12: 13: 14: 15: 16: 17: 18: 19: 20:	9.9 → 10.0 → 10.5x ← 10.0 ← 10.1 ↘ 10.8x ↓ 10.8x ↓ 10.5x ↖ 10.2x ↑ 9.7 ←	10.0 ↑ 9.7 ↖ 10.5x ↖ 9.1 ← 10.2x ↖ 9.9 ↖ 9.3 ↖ 9.1 ← 9.0 ↖ 9.5 ←
<b>Series</b>	98.0	<b>Series</b>	93.0		
<b>Total</b>	98.0	<b>Total</b>	191.0		

<p><b>60 Shots</b></p>  <p style="text-align: center;">6 7 8 7 8 7 6</p>	21: 22: 23: 24: 25: 26: 27: 28: 29: 30:	<p><b>60 Shots</b></p>  <p style="text-align: center;">6 7 8 7 8 7 6</p>	31: 32: 33: 34: 35: 36: 37: 38: 39: 40:	9.0 ↖ 9.7 ↗ 10.1 → 9.9 ↗ 10.6x ↗ 10.0 ↘ 8.9 → 9.3 → 10.9x ↑ 9.8 ↙	9.8 ↖ 10.0 ↓ 10.4x ↗ 9.6 ↖ 9.7 → 10.1 ↗ 10.6x ← 10.2x ↗ 9.8 ↖ 9.1 ↑
<b>Series</b>	93.0	<b>Series</b>	95.0		
<b>Total</b>	284.0	<b>Total</b>	379.0		

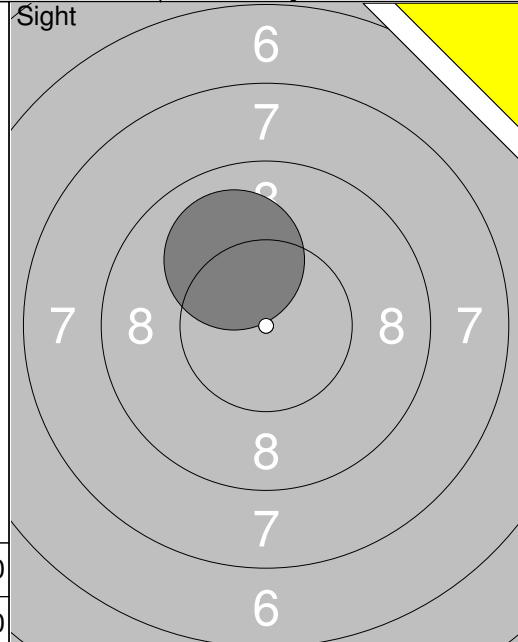
Sight 	1: 9.0 ↑ 2: 8.8 ← 3: 10.5x ↘ 4: 8.6 ↗ 5: 8.8 → 6: 9.9 → 7: 10.3x ↗ 8: 9.4 → 9: 9.7 ↑ 10: 9.5 ↗ <hr/> Series 89.0 Total 0.0	Sight 	11: 10.7x ↑ <hr/> Series 10.0 Total 0.0
---	---	---	---

60 Shots 	1: 10.0 ↓ 2: 9.2 ← 3: 10.3x ↓ 4: 9.8 ← 5: 9.3 ↗ 6: 9.4 ↗ 7: 9.8 ↑ 8: 9.3 ↑ 9: 8.4 → 10: 8.8 ↗ <hr/> Series 90.0 Total 90.0	60 Shots 	11: 10.1 → 12: 10.1 ↘ 13: 10.7x ↑ 14: 8.3 → 15: 9.2 → 16: 9.5 → 17: 10.3x ↘ 18: 8.0 → 19: 8.1 → 20: 9.4 ↘ <hr/> Series 91.0 Total 181.0
---	---	---	--

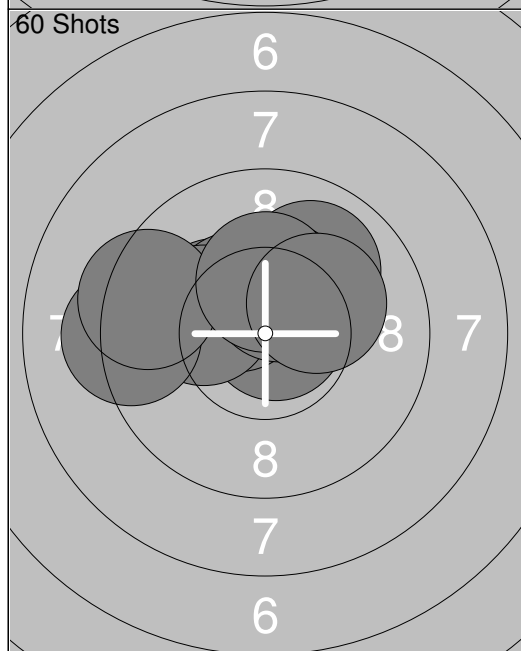
60 Shots 	21: 9.6 → 22: 9.6 ← 23: 9.2 ← 24: 8.0 ← 25: 10.3x ↗ 26: 9.7 ↗ 27: 9.2 ↘ 28: 9.7 ↓ 29: 8.8 ← 30: 10.1 → <hr/> Series 90.0 Total 271.0	60 Shots 	31: 9.6 ↗ 32: 8.6 ← 33: 9.7 ↘ 34: 10.8x ↗ 35: 8.4 ← 36: 8.4 → 37: 9.0 ↘ 38: 8.3 → 39: 9.4 ↗ 40: 9.1 ← <hr/> Series 87.0 Total 358.0
--	---	--	--



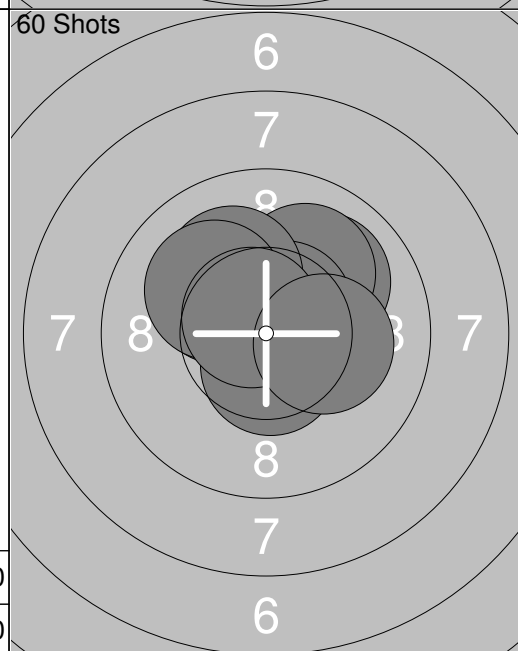
1: 8.9 →
2: 10.6x ↑
3: 9.9 →
4: 10.3x →
5: 10.0 ↗
6: 10.9x ↙
7: 9.9 →
8: 10.4x ↗
9: 10.6x ↓
10: 9.9 ↑
<b>Series 95.0</b>
<b>Total 0.0</b>



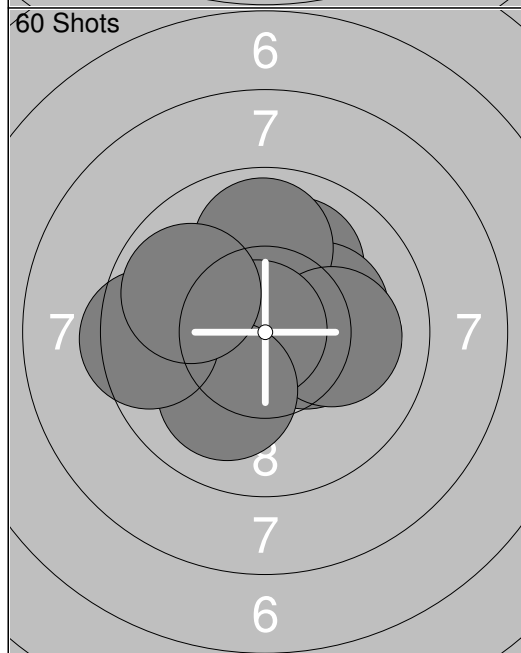
11: 10.0 ↖
<b>Series 10.0</b>
<b>Total 0.0</b>



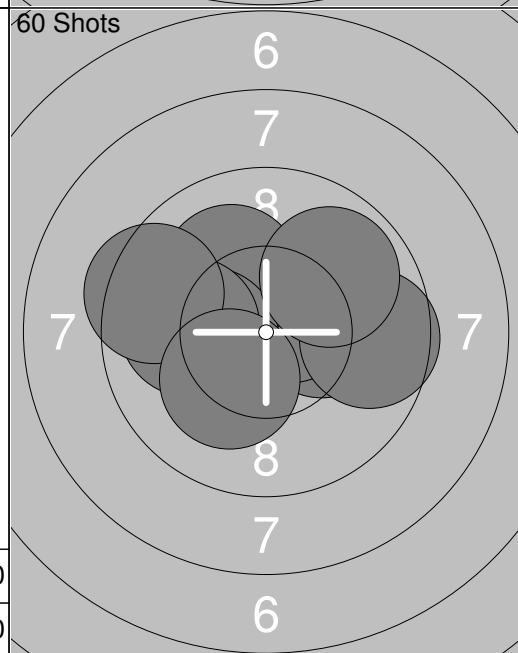
1: 10.3x ↙
2: 10.0 ↗
3: 10.8x →
4: 10.4x ↖
5: 10.1 ↙
6: 10.4x ↑
7: 9.2 ↙
8: 9.4 ↙
9: 10.3x ↑
10: 10.2x ↗
<b>Series 98.0</b>
<b>Total 98.0</b>



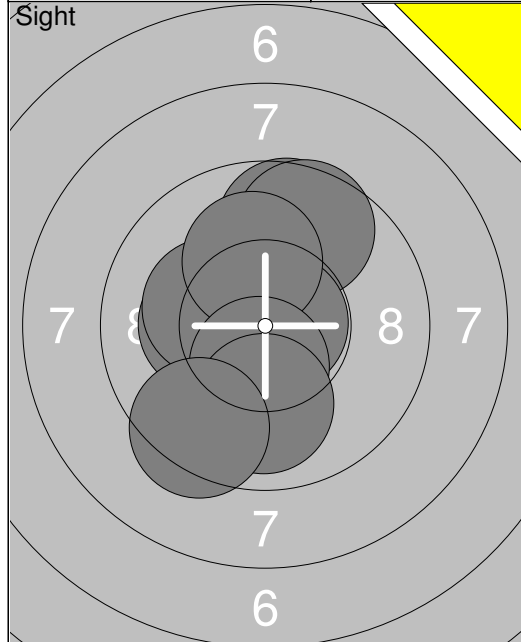
11: 10.2x ↖
12: 10.8x ↑
13: 10.0 ↗
14: 10.5x ↓
15: 10.0 ↗
16: 10.6x ↗
17: 10.1 ↖
18: 10.1 ↖
19: 10.7x ↖
20: 10.2x →
<b>Series 100.0</b>
<b>Total 198.0</b>



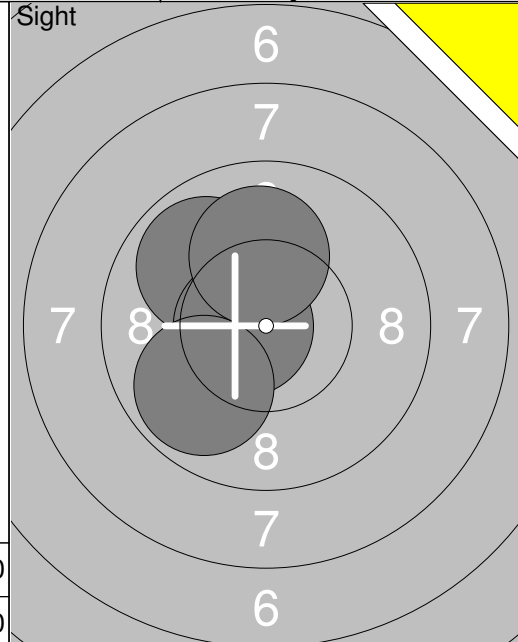
21: 10.0 ↗
22: 10.4x →
23: 10.2x →
24: 10.4x ↖
25: 9.9 ↑
26: 10.1 →
27: 10.8x ↙
28: 10.1 ↓
29: 9.5 ↙
30: 9.9 ↖
<b>Series 97.0</b>
<b>Total 295.0</b>



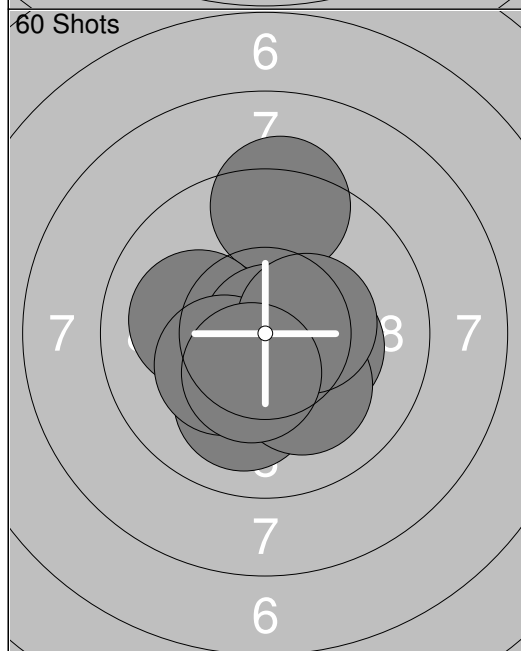
31: 10.2x →
32: 10.2x →
33: 10.6x ↗
34: 10.1 ↖
35: 10.2x ↙
36: 10.0 ↙
37: 9.4 ↙
38: 9.6 →
39: 9.9 ↗
40: 10.2x ↙
<b>Series 97.0</b>
<b>Total 392.0</b>



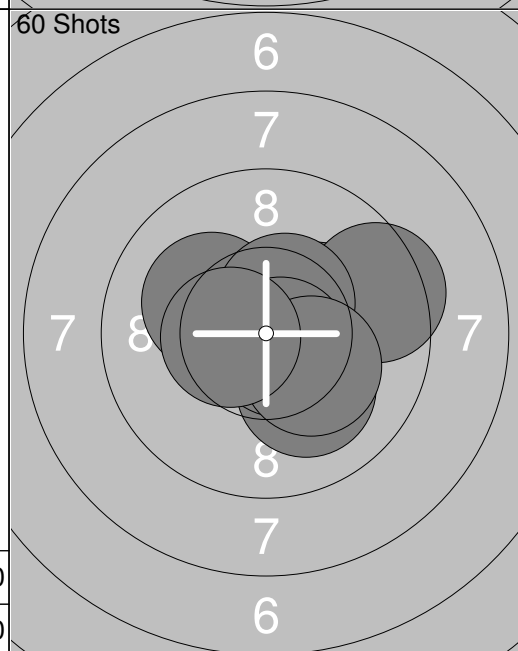
1:	10.2x	←
2:	9.7	↑
3:	10.7x	↖
4:	9.6	↑
5:	10.8x	→
6:	10.2x	←
7:	10.1	↑
8:	10.4x	↓
9:	10.0	↓
10:	9.4	↙
Series		97.0
Total		0.0



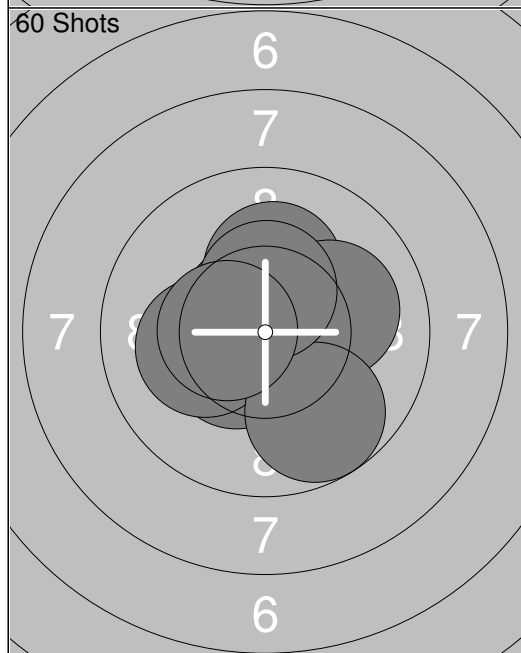
11:	9.9	↖
12:	10.7x	←
13:	9.8	↙
14:	10.1	↑
Series		38.0
Total		0.0



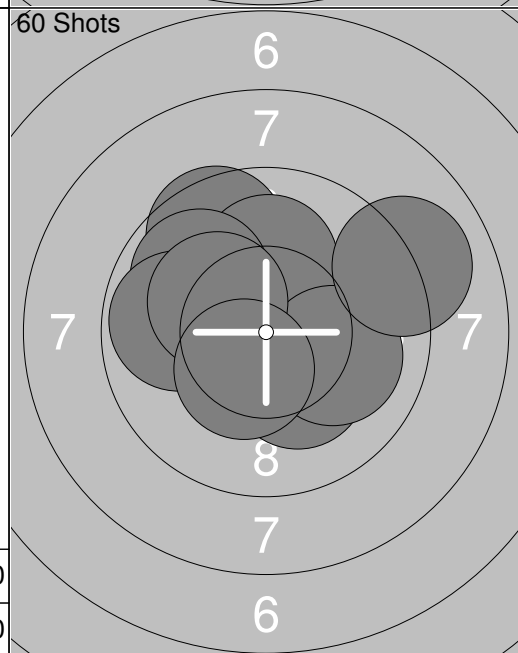
1:	10.3x	↓
2:	9.3	↑
3:	10.1	↓
4:	10.1	←
5:	10.3x	→
6:	10.1	↓
7:	10.9x	→
8:	10.3x	↙
9:	10.4x	→
10:	10.4x	↙
Series		99.0
Total		99.0



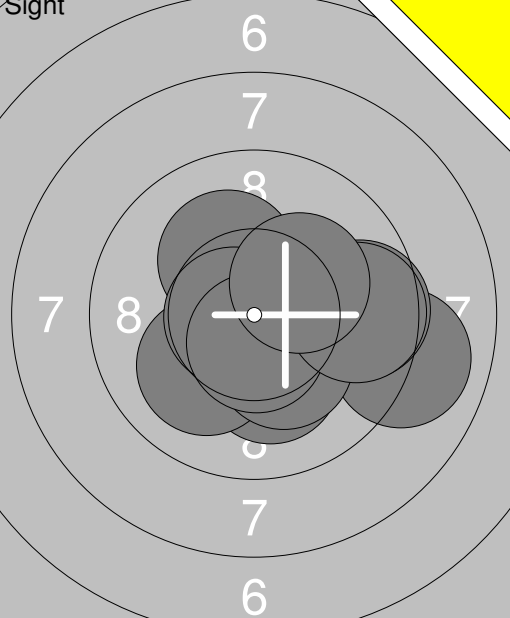
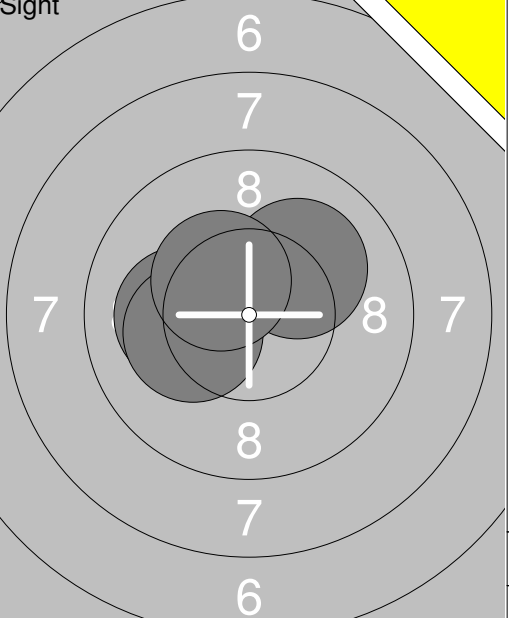
11:	10.2x	→
12:	10.2x	↖
13:	10.3x	→
14:	10.9x	↙
15:	9.5	→
16:	10.5x	↗
17:	10.1	↓
18:	10.7x	↘
19:	10.2x	↘
20:	10.5x	←
Series		99.0
Total		198.0

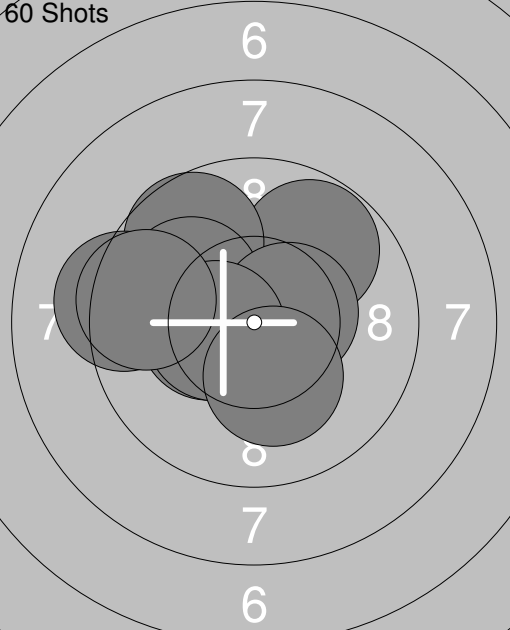
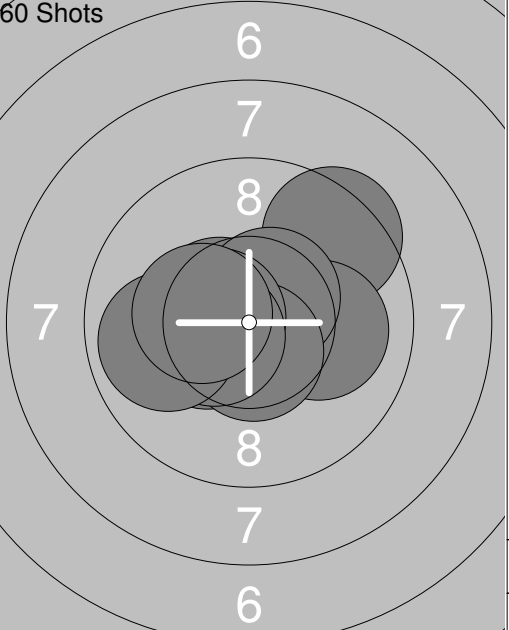


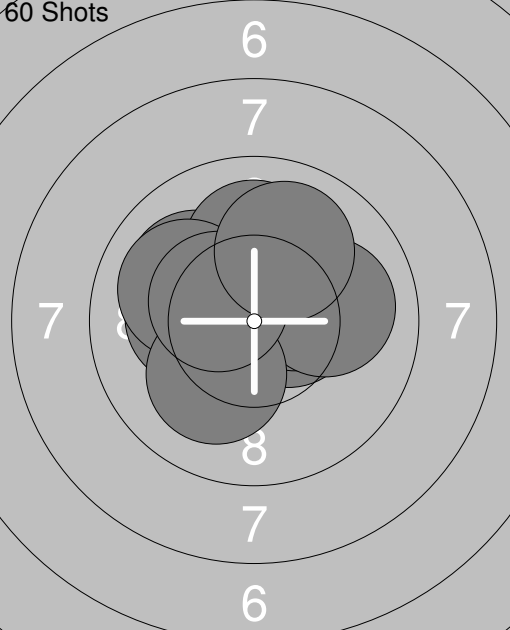
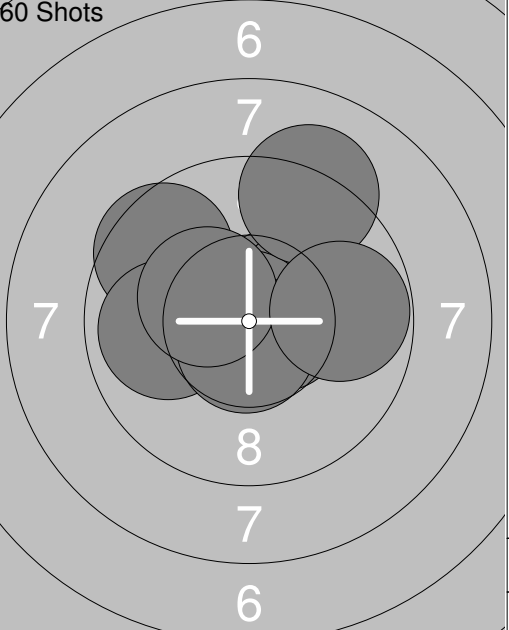
21:	10.6x	↖
22:	10.6x	↗
23:	10.4x	↙
24:	10.2x	↑
25:	10.5x	→
26:	10.2x	←
27:	10.1	→
28:	9.7	↓
29:	10.4x	↑
30:	10.5x	←
Series		99.0
Total		297.0



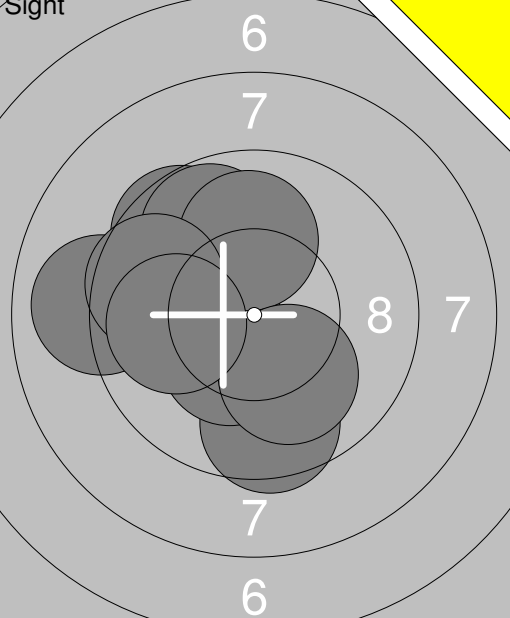
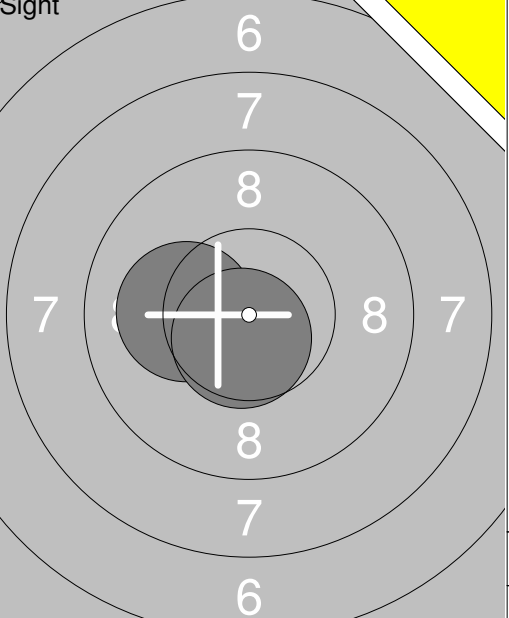
31:	10.4x	↘
32:	10.2x	↘
33:	9.6	↖
34:	10.1	↑
35:	9.9	↖
36:	10.1	→
37:	9.8	←
38:	9.0	↗
39:	10.2x	↖
40:	10.4x	↙
Series		96.0
Total		393.0

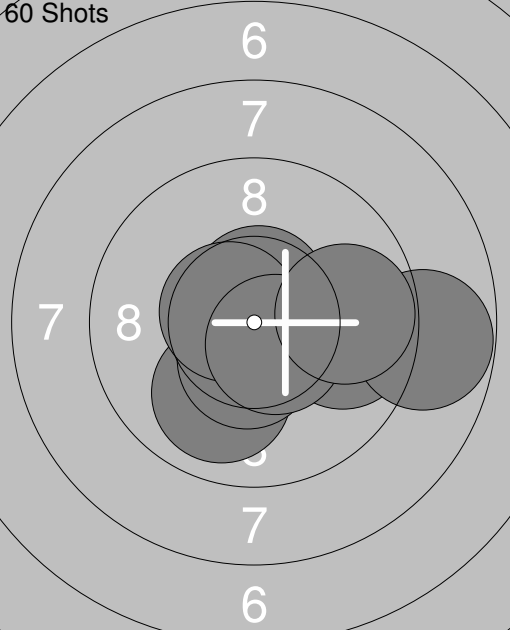
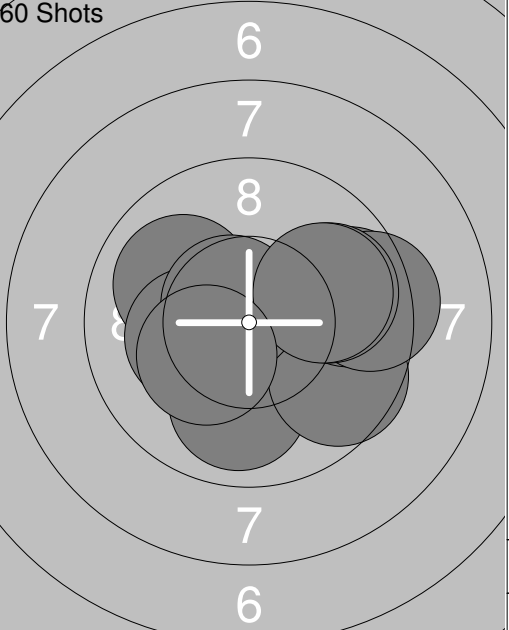
<p><b>Sight</b></p> 	<p>1: 10.2x ↓                  2: 9.0 →                  3: 10.1 ↓                  4: 10.2x ↗                  5: 10.7x ←                  6: 10.3x ↓                  7: 10.6x ↓                  8: 9.6 →                  9: 9.6 →                  10: 10.2x ↗</p> <p>Series 97.0 Total 0.0</p>	<p><b>Sight</b></p> 	<p>11: 10.1 ←                  12: 10.1 ↗                  13: 10.2x ←                  14: 10.4x ↘</p> <p>Series 40.0 Total 0.0</p>
--	--	--	--

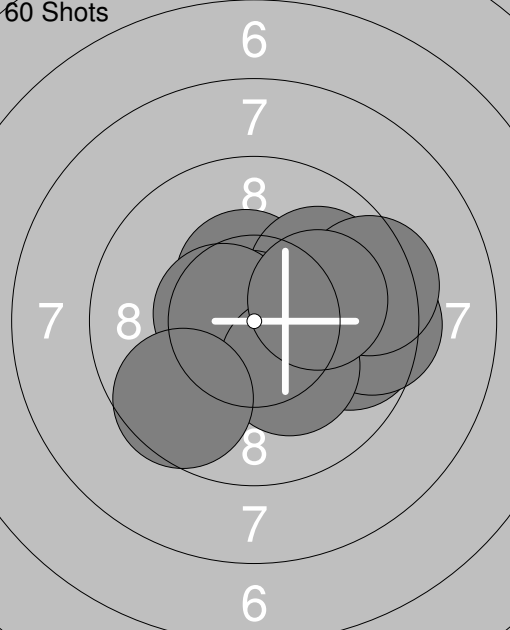
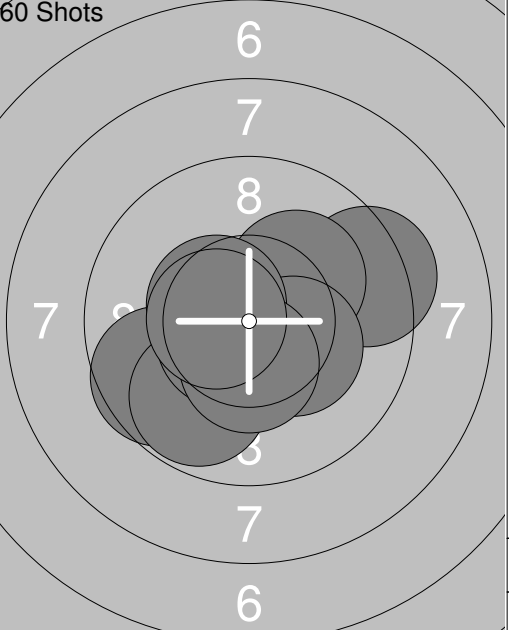
<p><b>60 Shots</b></p> 	<p>1: 9.8 ↗                  2: 9.7 ↗                  3: 10.4x ←                  4: 10.0 ←                  5: 10.6x ↓                  6: 10.5x →                  7: 10.4x ←                  8: 10.2x ↓                  9: 9.3 ←                  10: 9.5 ←</p> <p>Series 96.0 Total 96.0</p>	<p><b>60 Shots</b></p> 	<p>11: 9.4 ↗                  12: 10.5x ↘                  13: 10.4x ←                  14: 10.1 →                  15: 10.5x ↗                  16: 10.6x ↓                  17: 10.5x ←                  18: 10.5x ←                  19: 9.9 ←                  20: 10.3x ←</p> <p>Series 98.0 Total 194.0</p>
--	---	--	---

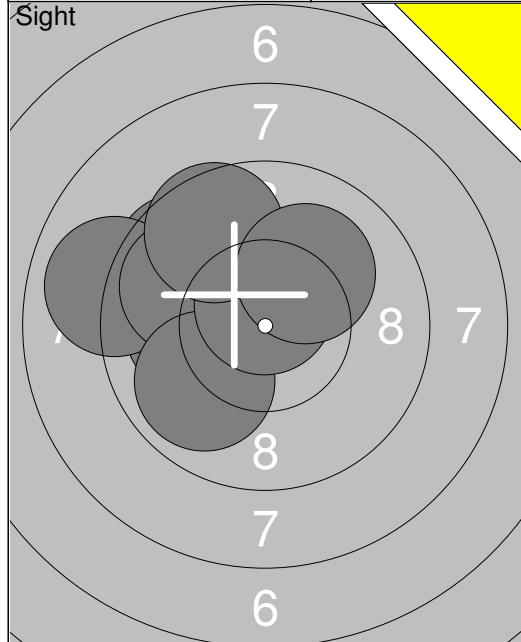
<p><b>60 Shots</b></p> 	<p>21: 10.0 ↘                  22: 10.2x ←                  23: 10.0 ↑                  24: 10.0 ←                  25: 10.5x →                  26: 10.4x ↗                  27: 10.0 →                  28: 10.1 ↓                  29: 10.4x ↘                  30: 10.0 ↗</p> <p>Series 100.0 Total 294.0</p>	<p><b>60 Shots</b></p> 	<p>31: 10.6x →                  32: 9.6 ↘                  33: 10.5x ↗                  34: 9.9 ←                  35: 10.3x →                  36: 10.9x ↘                  37: 10.7x ↓                  38: 9.2 ↗                  39: 10.3x ↘                  40: 9.8 →</p> <p>Series 96.0 Total 390.0</p>
---	---	---	--



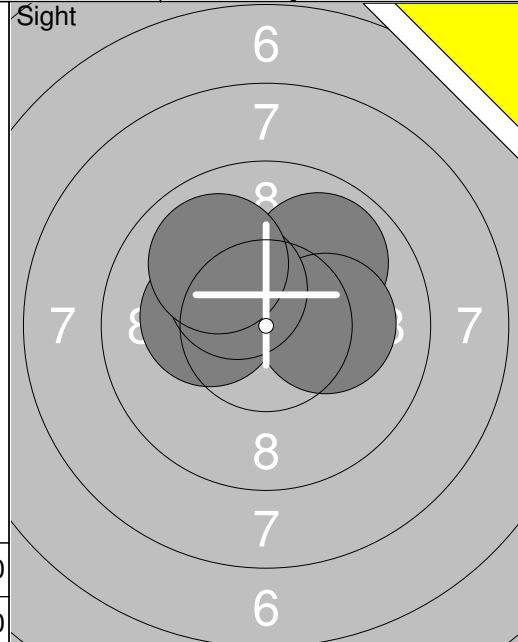
<p>Sight</p> 	<p>1: 9.6 ↓ 2: 9.6 ↗ 3: 9.8 ↗ 4: 10.3x ↘ 5: 10.4x ← 6: 10.0 ↑ 7: 9.0 ← 8: 9.6 ← 9: 10.1 ↓ 10: 10.0 ←</p> <p>Series 95.0 Total 0.0</p>	<p>Sight</p> 	<p>11: 10.2x ← 12: 10.6x ↓</p> <p>Series 20.0 Total 0.0</p>
---	---	---	---

<p>60 Shots</p> 	<p>1: 10.8x → 2: 10.0 ↓ 3: 9.8 → 4: 8.8 → 5: 10.6x ↘ 6: 10.5x ↓ 7: 10.6x ↑ 8: 10.6x ← 9: 10.6x ↘ 10: 9.8 →</p> <p>Series 96.0 Total 96.0</p>	<p>60 Shots</p> 	<p>11: 9.9 ↓ 12: 9.6 ↘ 13: 9.6 → 14: 9.4 → 15: 10.0 ↗ 16: 9.9 → 17: 10.2x ← 18: 10.6x ↗ 19: 9.9 → 20: 10.3x ↘</p> <p>Series 94.0 Total 190.0</p>
---	--	---	--

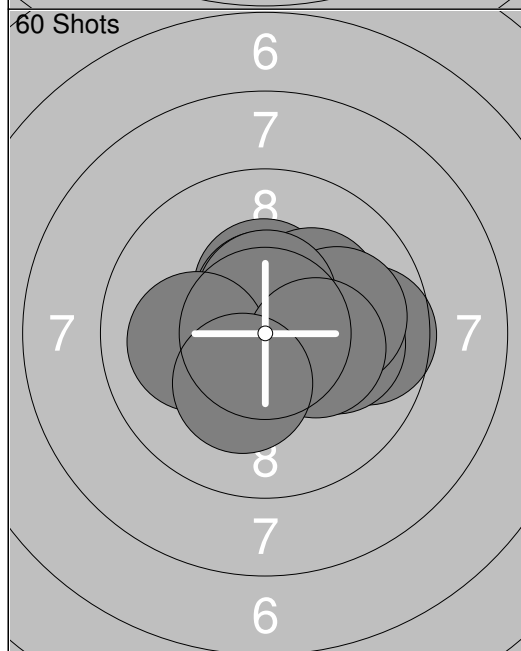
<p>60 Shots</p> 	<p>21: 10.4x ↑ 22: 10.0 ↗ 23: 9.7 → 24: 10.9x ← 25: 10.5x ← 26: 9.4 → 27: 9.4 → 28: 10.2x ↘ 29: 9.6 ↓ 30: 10.1 →</p> <p>Series 96.0 Total 286.0</p>	<p>60 Shots</p> 	<p>31: 9.3 → 32: 10.2x ↗ 33: 10.0 ↓ 34: 9.6 ← 35: 9.8 ↓ 36: 10.6x ↘ 37: 10.3x ↘ 38: 10.5x ↗ 39: 10.4x ↓ 40: 10.5x ←</p> <p>Series 97.0 Total 383.0</p>
--	---	--	--



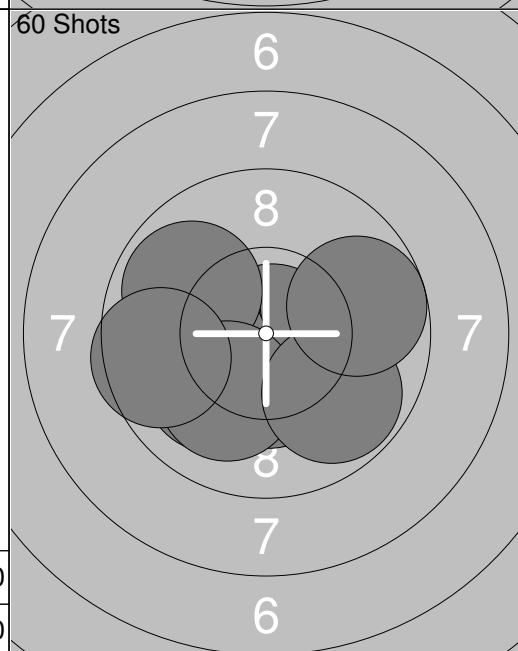
1: 10.0	←
2: 10.1	↗
3: 10.3x	↑
4: 9.6	↖
5: 9.0	←
6: 9.9	↖
7: 9.9	↙
8: 10.7x	↑
9: 9.6	↖
10: 10.1	↗
Series	95.0
Total	0.0



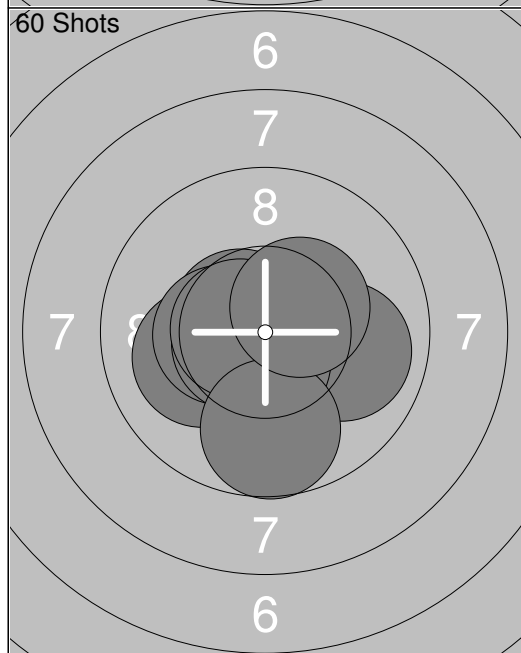
11: 10.2x	←
12: 9.9	↗
13: 10.2x	→
14: 10.4x	↖
15: 10.0	↖
Series	49.0
Total	0.0



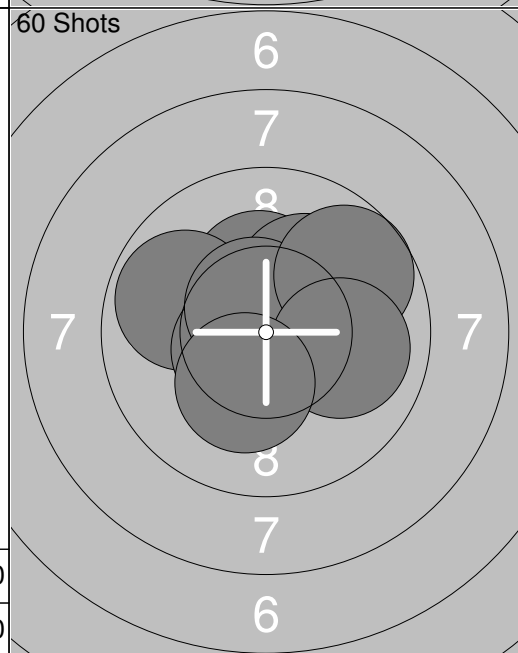
1: 9.7	→
2: 10.4x	↑
3: 10.0	→
4: 10.2x	↗
5: 10.5x	↑
6: 10.0	→
7: 10.5x	↑
8: 10.1	←
9: 10.3x	→
10: 10.3x	↙
Series	99.0
Total	99.0



11: 10.0	↙
12: 10.4x	↓
13: 10.9x	→
14: 10.0	←
15: 10.1	←
16: 9.9	↖
17: 10.1	↙
18: 9.8	↘
19: 9.6	←
20: 9.7	→
Series	96.0
Total	195.0

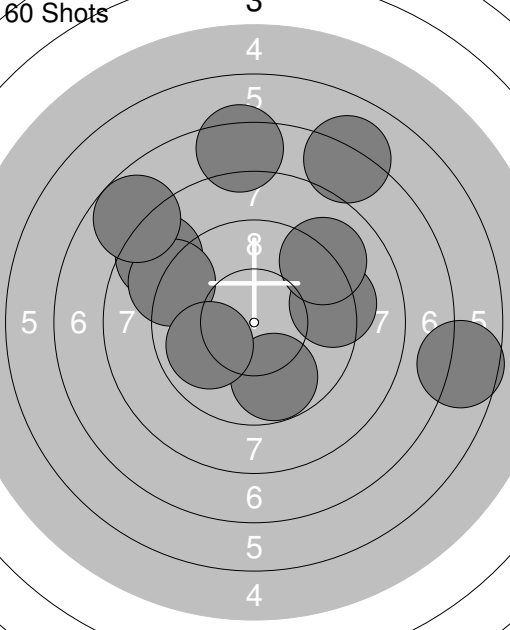
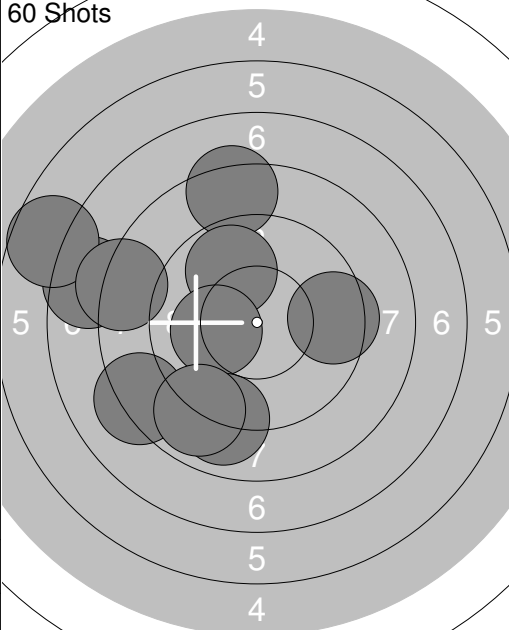


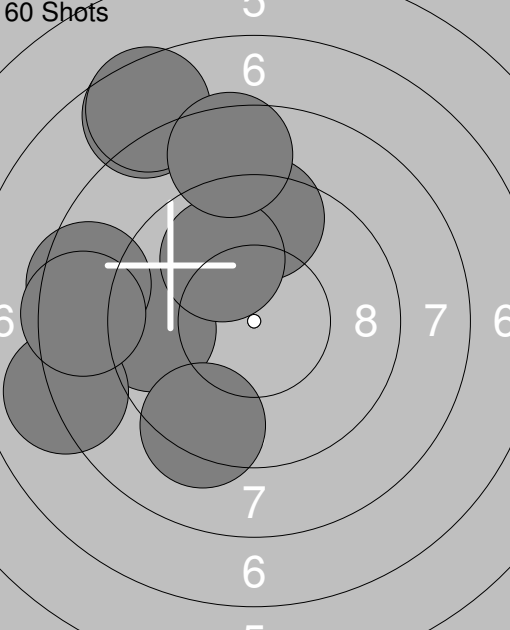
21: 9.9	→
22: 10.4x	↙
23: 10.6x	↖
24: 10.6x	↓
25: 10.1	←
26: 10.4x	←
27: 10.6x	↙
28: 10.6x	←
29: 9.7	↓
30: 10.4x	↗
Series	98.0
Total	293.0

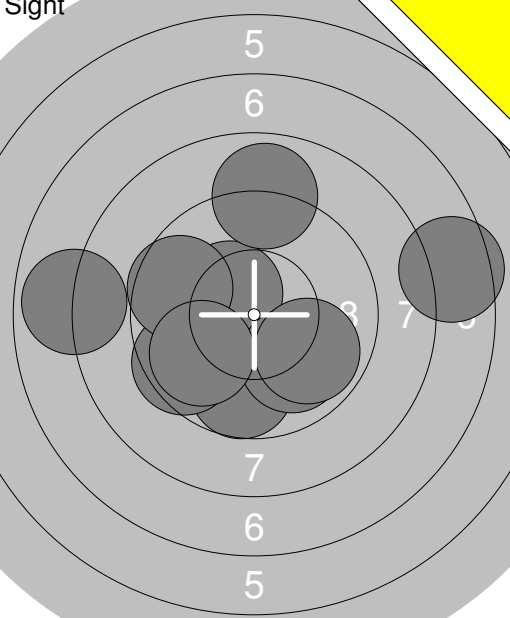
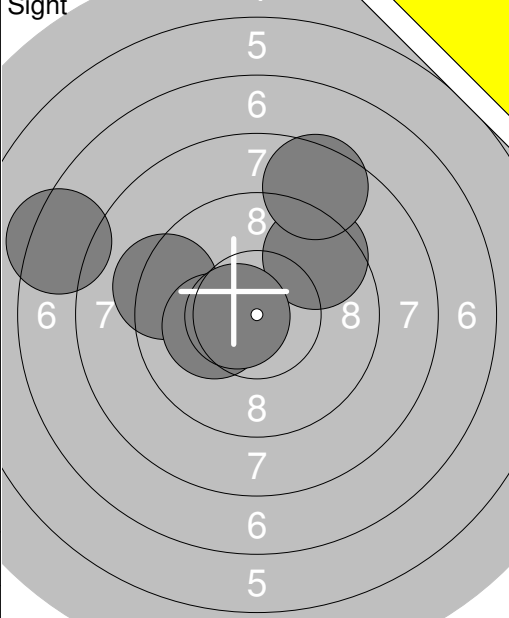


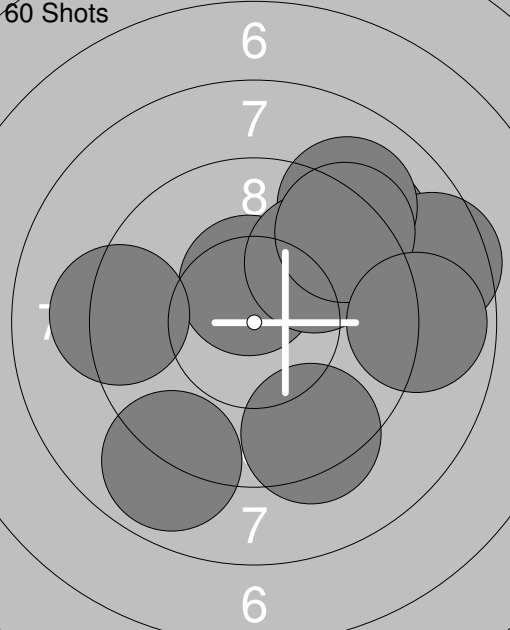
31: 10.1	↗
32: 10.3x	↑
33: 10.2x	↗
34: 9.8	←
35: 10.5x	→
36: 10.6x	↙
37: 10.6x	↖
38: 9.7	↗
39: 10.0	→
40: 10.2x	↙
Series	98.0
Total	391.0

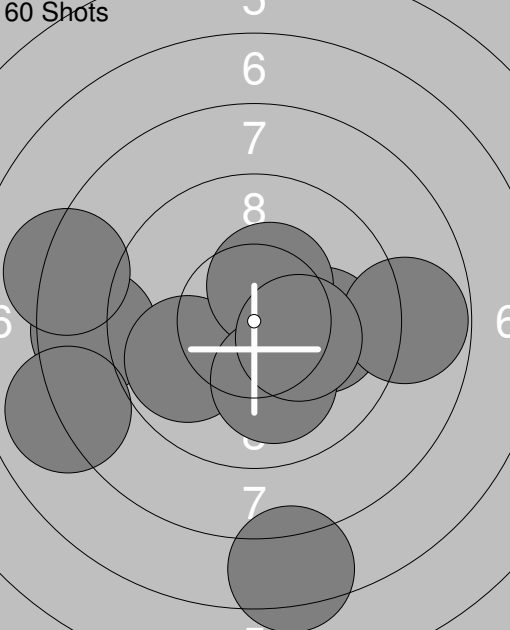
<p>Sight</p> 	<p>60 Shots</p> 	
<p>1: 9.9 ↗</p> <p>2: 8.0 ↗</p> <p>3: 10.0 ↓</p> <p>4: 8.2 ↖</p> <p>5: 10.4x →</p> <p>6: 9.4 ↗</p> <p>7: 10.4x ↗</p> <p>8: 7.2 →</p> <p>9: 8.4 ↗</p> <p>10: 9.1 ↗</p>	<p>1: 9.1 ↘</p> <p>2: 9.0 →</p> <p>3: 9.2 ↑</p> <p>4: 8.7 ↘</p> <p>5: 9.8 ↓</p> <p>6: 9.2 ←</p> <p>7: 8.2 ←</p> <p>8: 10.4x ↓</p> <p>9: 9.1 ↗</p> <p>10: 8.5 ↗</p>	
Series 88.0	Series 88.0	
Total 0.0	Total 88.0	

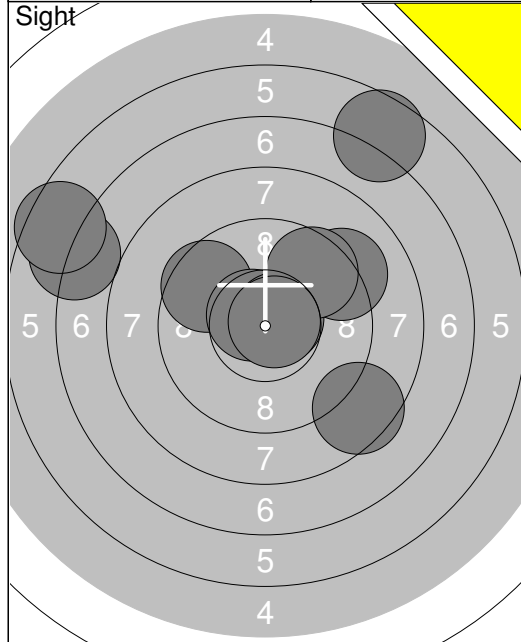
<p>60 Shots</p> 	<p>60 Shots</p> 	
<p>11: 8.6 ↖</p> <p>12: 9.3 →</p> <p>13: 9.1 ↗</p> <p>14: 6.6 →</p> <p>15: 7.4 ↑</p> <p>16: 9.1 ↖</p> <p>17: 7.1 ↗</p> <p>18: 7.8 ↗</p> <p>19: 9.8 ↓</p> <p>20: 9.9 ←</p>	<p>21: 8.4 ↑</p> <p>22: 7.6 ←</p> <p>23: 6.7 ←</p> <p>24: 9.8 ↗</p> <p>25: 9.5 →</p> <p>26: 10.1 ←</p> <p>27: 8.2 ←</p> <p>28: 8.2 ↖</p> <p>29: 9.0 ↓</p> <p>30: 8.9 ↘</p>	
Series 80.0	Series 82.0	
Total 168.0	Total 250.0	

<p>60 Shots</p> 		
<p>31: 7.6 ↗</p> <p>32: 9.5 ←</p> <p>33: 7.6 ↗</p> <p>34: 9.3 ↓</p> <p>35: 8.5 ←</p> <p>36: 9.5 ↑</p> <p>37: 9.9 ↗</p> <p>38: 8.1 ←</p> <p>39: 8.5 ←</p> <p>40: 8.5 ↑</p>		
Series 82.0		
Total 332.0		

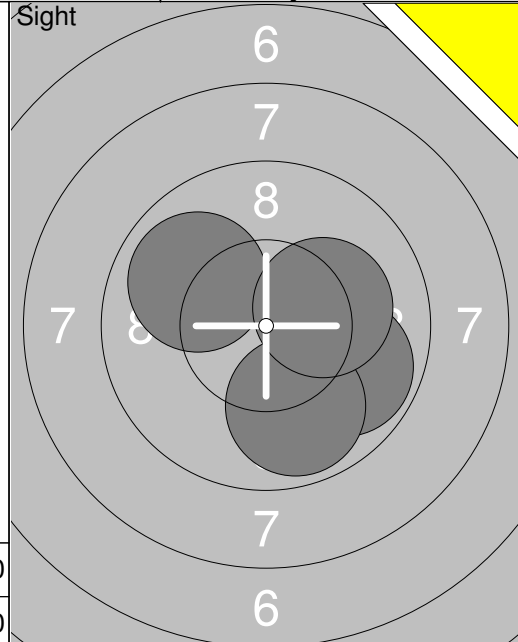
<p>Sight</p> 	<p>1: 9.7 ↓</p> <p>2: 9.5 ↙</p> <p>3: 10.4x ↘</p> <p>4: 8.9 ↑</p> <p>5: 9.9 ↘</p> <p>6: 9.6 ←</p> <p>7: 7.9 ←</p> <p>8: 9.9 ↘</p> <p>9: 7.5 →</p> <p>10: 9.8 ↙</p>	<p>Sight</p> 	<p>11: 9.5 ↗</p> <p>12: 7.3 ↖</p> <p>13: 9.3 ↖</p> <p>14: 8.5 ↗</p> <p>15: 10.2x ←</p> <p>16: 10.6x ←</p>
Series	86.0	Series	53.0
Total	0.0	Total	0.0

<p>60 Shots</p> 	<p>1: 9.1 ↗</p> <p>2: 10.5x ↑</p> <p>3: 8.6 →</p> <p>4: 9.2 ←</p> <p>5: 9.1 ↗</p> <p>6: 8.9 ↘</p> <p>7: 9.9 ↗</p> <p>8: 9.3 ↗</p> <p>9: 9.4 ↘</p> <p>10: 8.9 →</p>	<p>60 Shots</p> 	<p>11: 9.2 ↗</p> <p>12: 9.5 ↘</p> <p>13: 9.1 →</p> <p>14: 10.5x ↗</p> <p>15: 9.8 ↗</p> <p>16: 9.8 ↘</p> <p>17: 8.3 ↗</p> <p>18: 9.4 ↗</p> <p>19: 9.3 ↖</p> <p>20: 10.3x ↗</p>
Series	88.0	Series	91.0
Total	88.0	Total	179.0

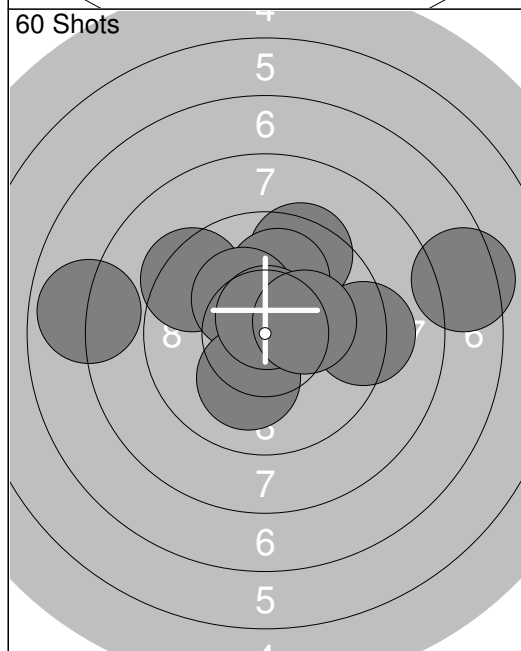
<p>60 Shots</p> 	<p>21: 8.7 ←</p> <p>22: 9.9 ↖</p> <p>23: 10.0 →</p> <p>24: 10.4x ↗</p> <p>25: 8.8 →</p> <p>26: 7.4 ↘</p> <p>27: 10.1 ↘</p> <p>28: 10.3x ↘</p> <p>29: 8.0 ←</p> <p>30: 8.2 ←</p>	<p>60 Shots</p> 	<p>31: 9.4 ↖</p> <p>32: 9.7 ↑</p> <p>33: 9.3 ↘</p> <p>34: 9.6 ↘</p> <p>35: 5.8 ↗</p> <p>36: 9.8 →</p> <p>37: 9.6 ↘</p> <p>38: 9.4 ←</p> <p>39: 9.2 ↘</p> <p>40: 10.7x ↗</p>
Series	88.0	Series	87.0
Total	267.0	Total	354.0



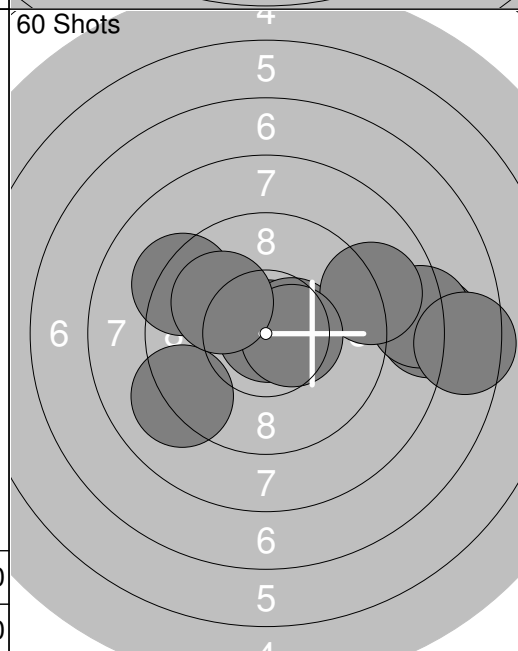
1: 9.6 ↖
2: 10.6x ↖
3: 8.5 ↘
4: 9.2 ↗
5: 10.7x ↗
6: 9.6 ↗
7: 10.8x →
8: 6.6 ↗
9: 7.0 ←
10: 6.5 ←
<b>Series 84.0</b>
<b>Total 0.0</b>



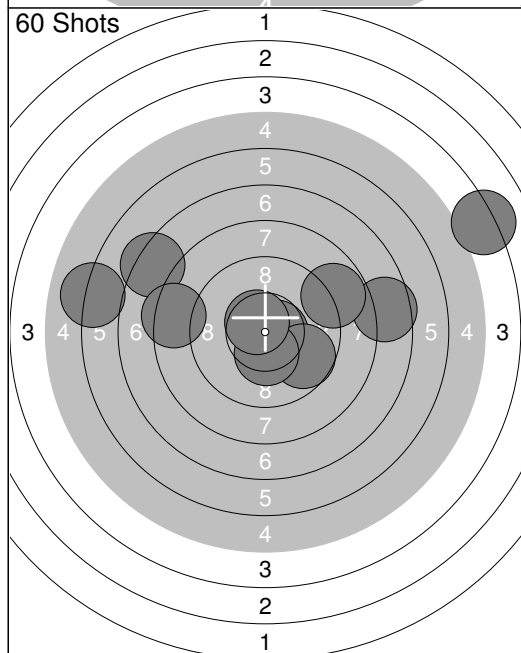
11: 9.8 →
12: 9.9 ↓
13: 9.9 ↖
14: 10.2x →
<b>Series 37.0</b>
<b>Total 0.0</b>



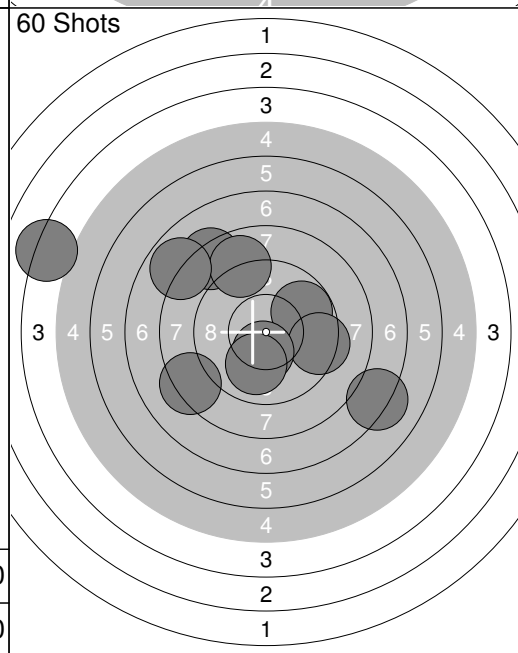
1: 9.5 ↗
2: 9.3 →
3: 10.0 ↗
4: 7.9 ←
5: 9.4 ↖
6: 10.3x ↖
7: 10.1 ↓
8: 7.4 →
9: 10.7x ↗
10: 10.2x →
<b>Series 91.0</b>
<b>Total 91.0</b>



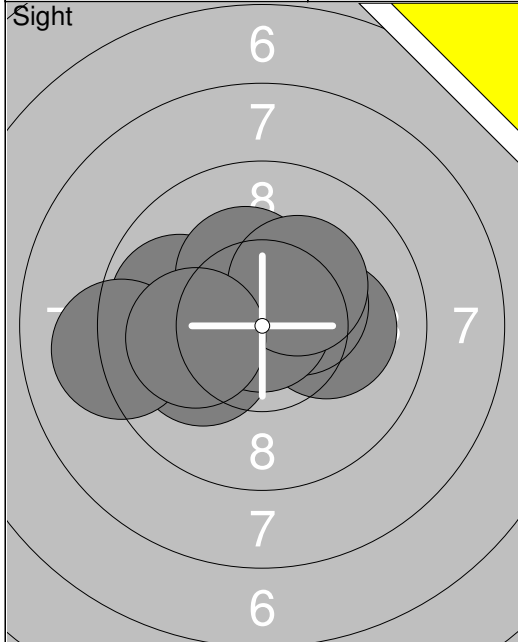
11: 8.1 →
12: 10.9x ↗
13: 10.5x →
14: 8.2 →
15: 9.3 ↖
16: 9.0 →
17: 7.5 →
18: 9.1 ↖
19: 10.5x →
20: 10.0 ↖
<b>Series 90.0</b>
<b>Total 181.0</b>



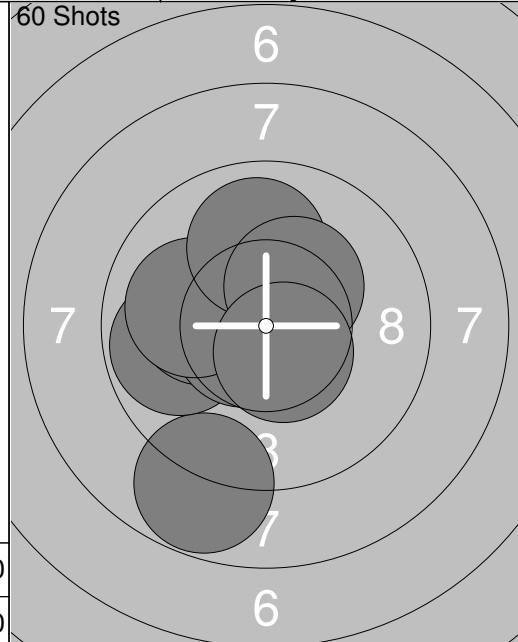
21: 7.3 ↖
22: 7.6 →
23: 10.6x →
24: 9.7 ↘
25: 4.2 ↗
26: 6.1 ←
27: 10.4x ↓
28: 8.8 ↗
29: 10.6x ↖
30: 8.4 ←
<b>Series 79.0</b>
<b>Total 260.0</b>



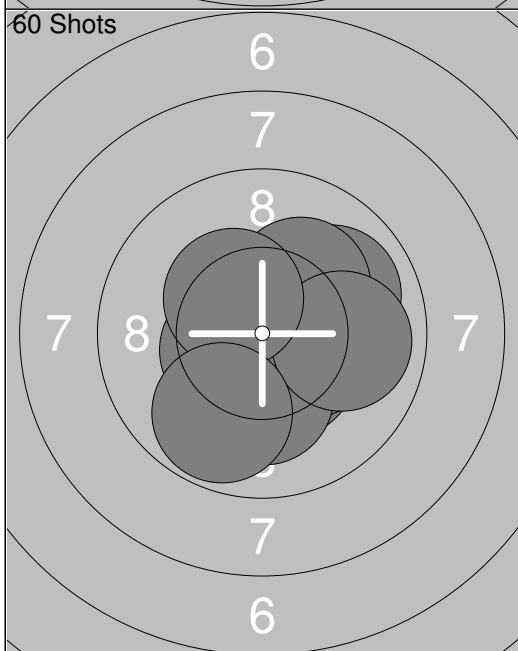
31: 4.2 ↖
32: 9.8 ↗
33: 9.4 →
34: 8.3 ↗
35: 10.4x ↓
36: 8.9 ↗
37: 7.2 ↘
38: 10.0 ↓
39: 8.3 ↖
40: 7.9 ↖
<b>Series 80.0</b>
<b>Total 340.0</b>



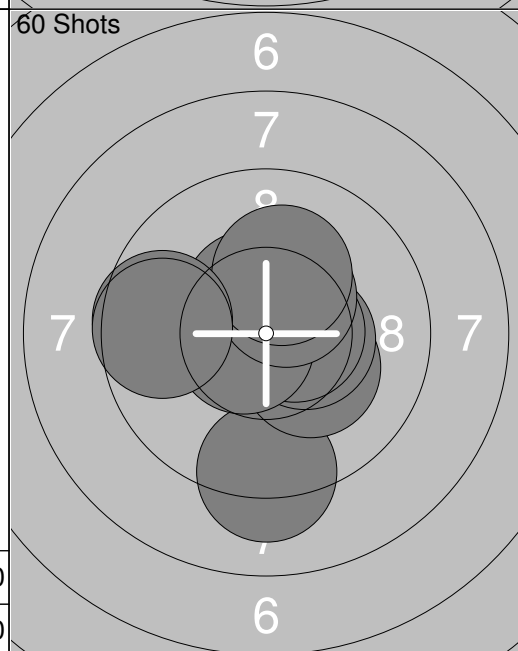
1:	10.1	←
2:	10.4x	→
3:	10.1	→
4:	10.4x	→
5:	10.9x	↑
6:	9.9	←
7:	10.3x	↑
8:	9.1	←
9:	10.3x	↗
10:	10.1	←
Series		98.0
Total		0.0



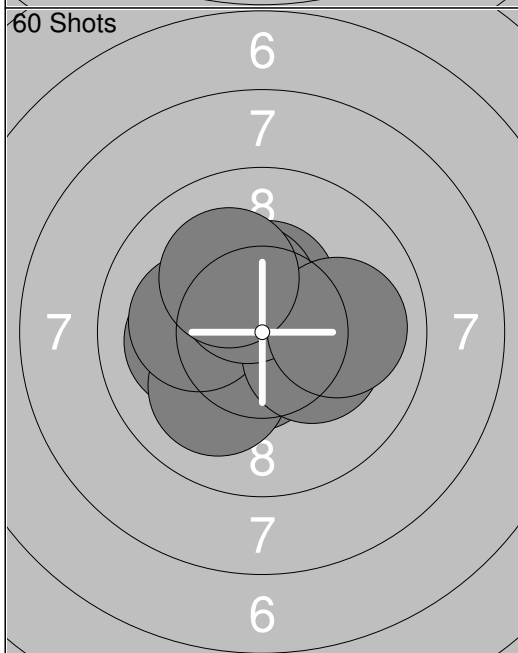
1:	8.8	↓
2:	9.8	←
3:	10.2x	↙
4:	10.7x	↙
5:	10.8x	↗
6:	10.6x	↙
7:	10.0	←
8:	9.9	↑
9:	10.3x	↗
10:	10.5x	↓
Series		96.0
Total		96.0



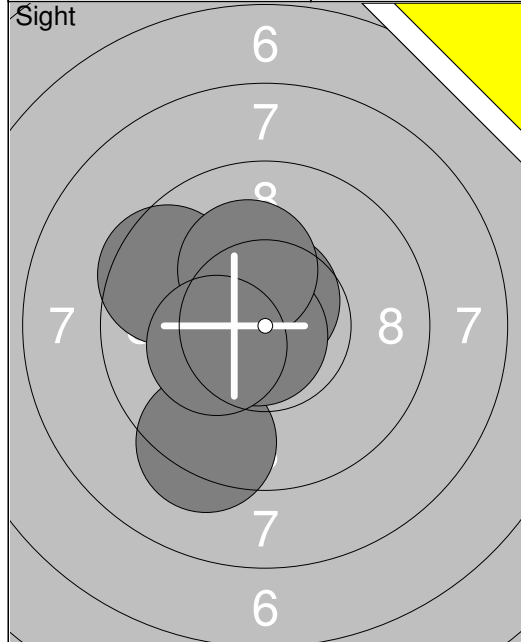
11:	10.4x	↓
12:	10.7x	→
13:	10.5x	↙
14:	9.9	↗
15:	10.3x	→
16:	10.2x	↗
17:	10.2x	↓
18:	9.9	→
19:	10.4x	↖
20:	9.8	↓
Series		97.0
Total		193.0



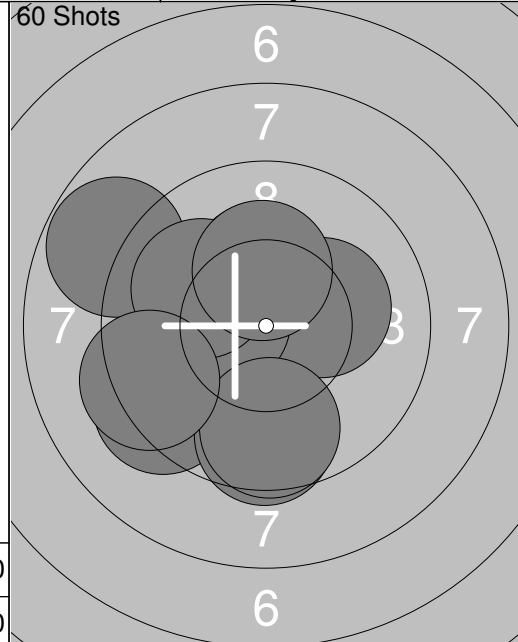
21:	9.2	↓
22:	10.2x	↘
23:	10.4x	→
24:	10.5x	↖
25:	10.6x	→
26:	10.6x	↙
27:	10.4x	↗
28:	10.2x	↑
29:	9.6	←
30:	9.6	←
Series		97.0
Total		290.0



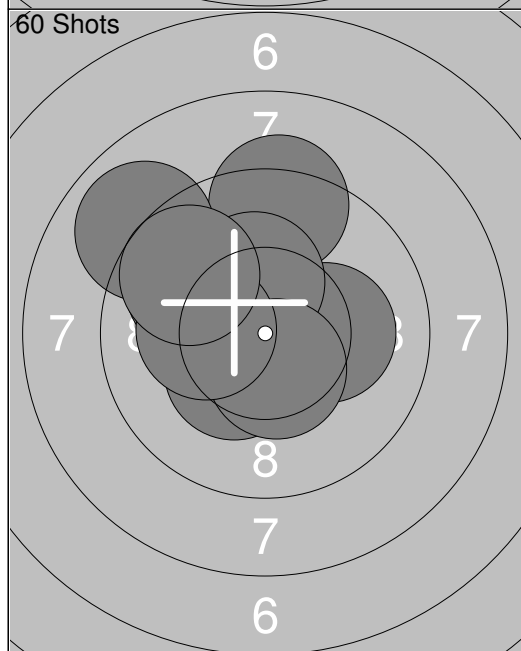
31:	10.4x	↑
32:	10.7x	↓
33:	10.1	←
34:	10.6x	↓
35:	10.1	↙
36:	10.1	←
37:	10.3x	→
38:	10.4x	↖
39:	10.0	→
40:	10.1	↖
Series		100.0
Total		390.0



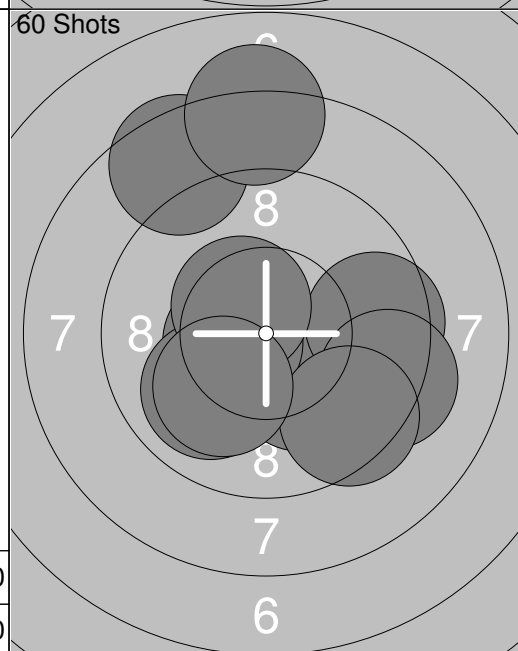
1: 9.3	↘
2: 9.5	↖
3: 10.6x	↑
4: 10.8x	↙
5: 10.2x	↑
6: 10.3x	↙
<b>Series 58.0</b>	
<b>Total 0.0</b>	



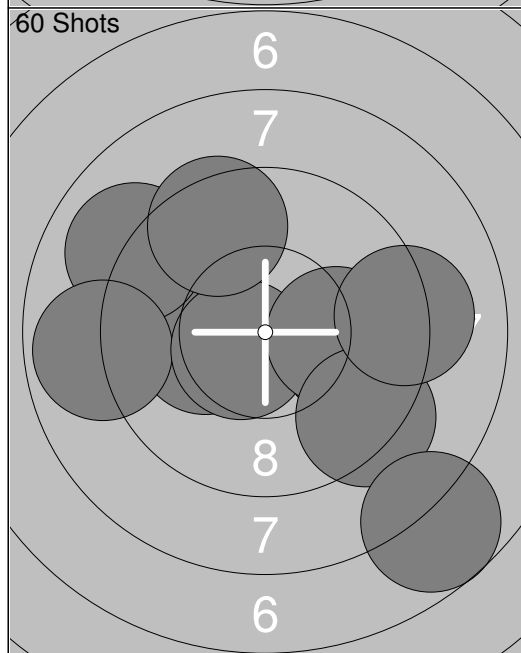
1: 10.3x	↑
2: 8.8	↖
3: 9.3	↙
4: 9.5	↓
5: 10.2x	→
6: 10.4x	↙
7: 10.0	↖
8: 9.6	↓
9: 10.2x	↑
10: 9.3	↙
<b>Series 94.0</b>	
<b>Total 94.0</b>	



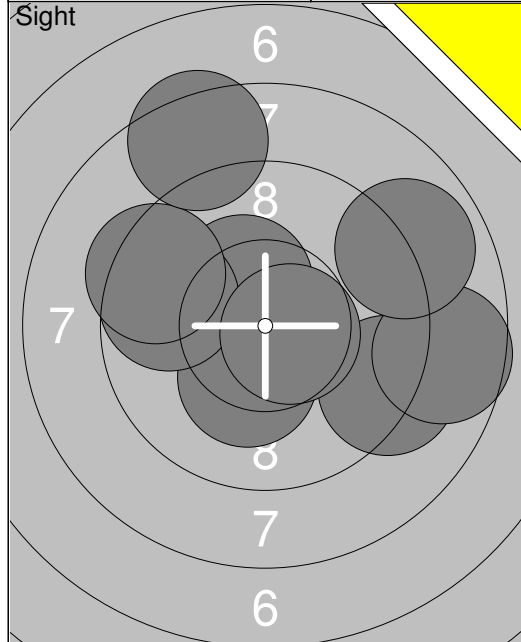
11: 10.2x	↖
12: 10.3x	↙
13: 9.9	↖
14: 10.2x	→
15: 9.3	↑
16: 10.3x	↑
17: 10.5x	↓
18: 10.2x	↙
19: 8.9	↖
20: 9.7	↖
<b>Series 95.0</b>	
<b>Total 189.0</b>	



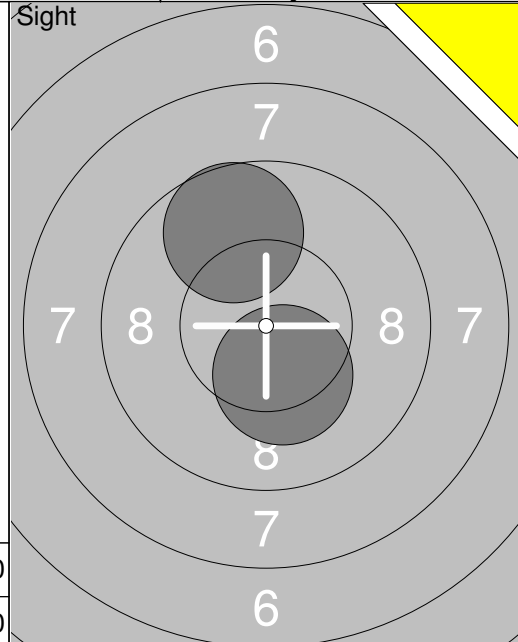
21: 8.5	↖
22: 8.2	↑
23: 10.2x	↙
24: 10.5x	↙
25: 9.6	→
26: 9.9	↙
27: 10.5x	↖
28: 9.3	→
29: 9.5	↙
30: 10.1	↙
<b>Series 92.0</b>	
<b>Total 281.0</b>	



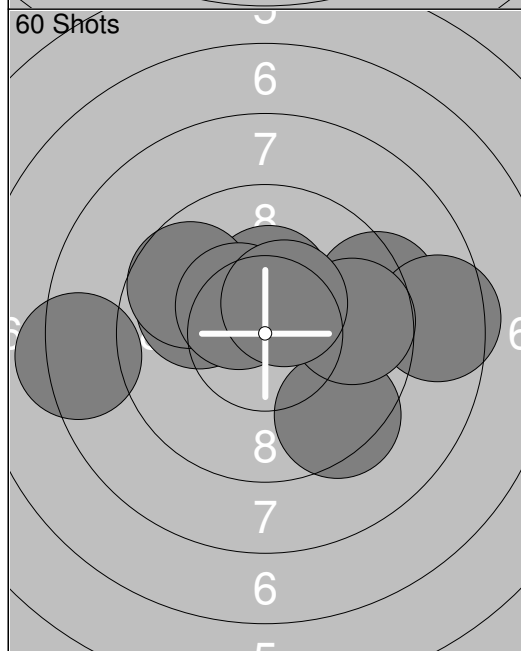
31: 10.2x	↙
32: 9.0	↖
33: 8.9	←
34: 9.8	→
35: 10.6x	↙
36: 10.0	→
37: 9.5	↑
38: 9.3	↙
39: 9.2	→
40: 7.7	↙
<b>Series 90.0</b>	
<b>Total 371.0</b>	



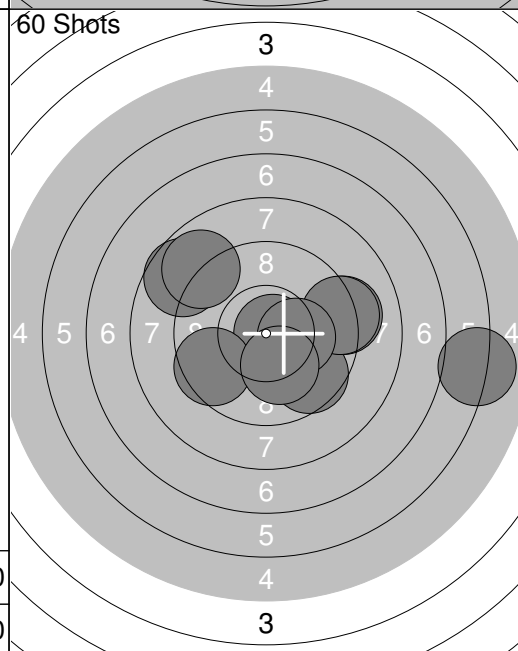
1: 10.5x ↘
2: 10.4x ↗
3: 9.2 →
4: 8.7 →
5: 8.9 ↗
6: 10.3x ↓
7: 9.7 ←
8: 10.6x →
9: 9.4 ←
10: 8.4 ↗
Series 91.0
Total 0.0



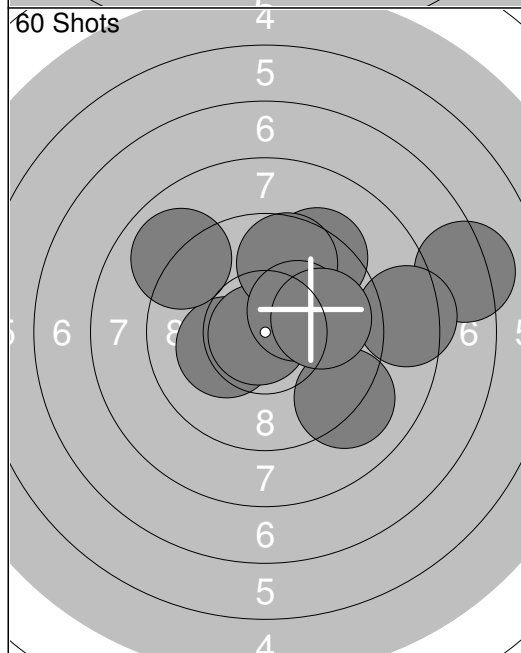
11: 9.7 ↗
12: 10.3x ↓
Series 19.0
Total 0.0



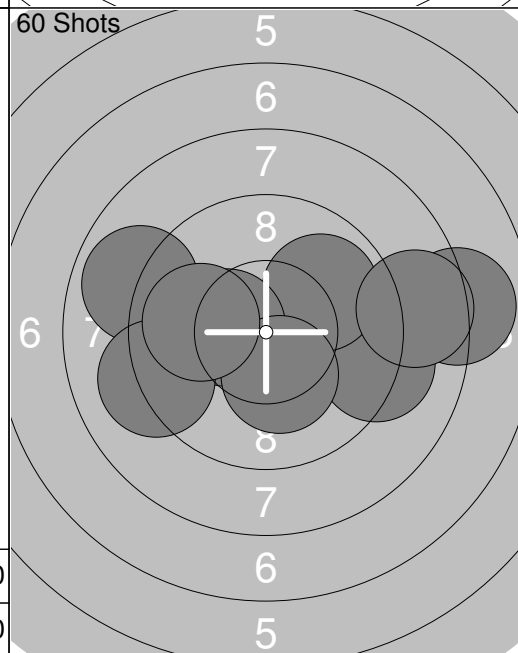
1: 8.3 ←
2: 9.9 ←
3: 9.4 ↓
4: 10.3x ↑
5: 9.3 →
6: 8.5 →
7: 9.7 ↗
8: 10.4x ↘
9: 9.7 →
10: 10.4x ↗
Series 91.0
Total 91.0



11: 10.8x →
12: 9.6 ↓
13: 8.7 ↗
14: 9.2 →
15: 9.5 ↖
16: 9.2 →
17: 8.9 ↗
18: 10.3x →
19: 6.1 →
20: 10.2x ↓
Series 88.0
Total 179.0



21: 7.2 →
22: 10.2x ↖
23: 9.3 ↗
24: 9.0 ↖
25: 10.8x ↖
26: 9.7 ↗
27: 8.4 →
28: 9.1 ↓
29: 10.3x ↗
30: 9.9 →
Series 90.0
Total 269.0



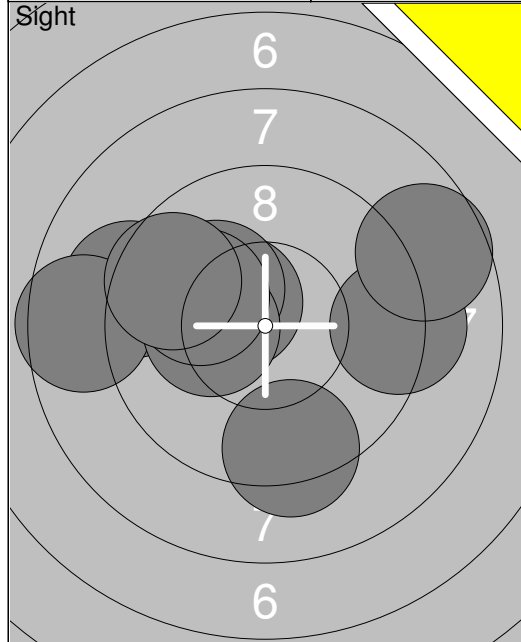
31: 10.7x →
32: 8.9 ↖
33: 9.2 →
34: 8.0 →
35: 9.9 ↗
36: 8.7 →
37: 10.3x ↖
38: 10.3x ↓
39: 9.1 ↖
40: 9.9 ↖
Series 90.0
Total 359.0



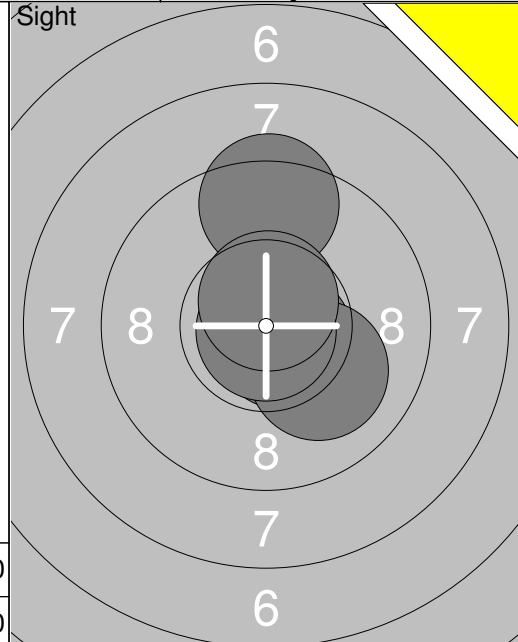
<p><b>Sight</b></p>	<p>1: 9.0 ← 2: 9.8 ← 3: 8.8 ← 4: 10.1 ↓ 5: 10.7x → 6: 10.0 → 7: 10.0 ← 8: 10.4x ← 9: 10.2x → 10: 10.0 ↙</p> <p>Series 96.0 Total 0.0</p>	<p><b>Sight</b></p>	<p>11: 9.3 → 12: 10.1 ↗ 13: 10.2x ↗ 14: 9.8 ↖ 15: 10.0 → 16: 9.4 → 17: 10.8x ↗ 18: 9.0 → 19: 10.5x → 20: 9.8 ↙</p> <p>Series 95.0 Total 0.0</p>
---------------------	--	---------------------	---

<p><b>60 Shots</b></p>	<p>1: 10.7x → 2: 9.5 → 3: 10.3x → 4: 10.0 ↙ 5: 10.4x ← 6: 9.4 → 7: 10.0 ↗ 8: 10.6x → 9: 10.1 ↓ 10: 10.3x →</p> <p>Series 98.0 Total 98.0</p>	<p><b>60 Shots</b></p>	<p>11: 10.5x ↙ 12: 10.4x ↙ 13: 9.2 → 14: 10.7x ↘ 15: 9.9 → 16: 10.2x ↗ 17: 10.5x → 18: 10.7x ↖ 19: 10.1 ↙ 20: 10.3x ↘</p> <p>Series 98.0 Total 196.0</p>
------------------------	--	------------------------	--

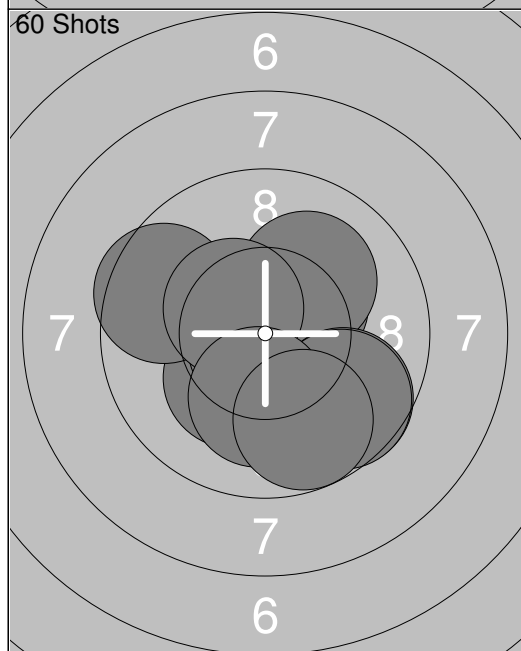
<p><b>60 Shots</b></p>	<p>21: 10.8x ↗ 22: 9.9 ↘ 23: 9.6 → 24: 10.5x → 25: 9.8 → 26: 9.7 ← 27: 9.2 ↓ 28: 10.4x ↙ 29: 10.2x ↘ 30: 9.5 ←</p> <p>Series 94.0 Total 290.0</p>	<p><b>60 Shots</b></p>	<p>31: 10.8x ↙ 32: 10.2x ← 33: 9.9 ↘ 34: 10.6x → 35: 10.5x ↗ 36: 10.7x ↖ 37: 9.3 ↙ 38: 10.3x ↗ 39: 10.6x ↙ 40: 9.9 ↖</p> <p>Series 97.0 Total 387.0</p>
------------------------	---	------------------------	---



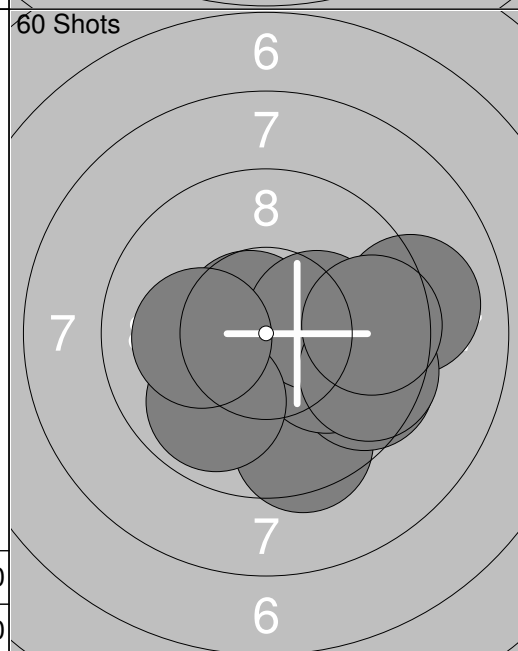
1:	10.4x ↖
2:	9.3 ↓
3:	9.1 ←
4:	8.6 ←
5:	10.1 ↗
6:	10.3x ←
7:	10.0 ↖
8:	9.6 ↖
9:	9.2 →
10:	8.7 ↗
<b>Series</b>	<b>92.0</b>
<b>Total</b>	<b>0.0</b>



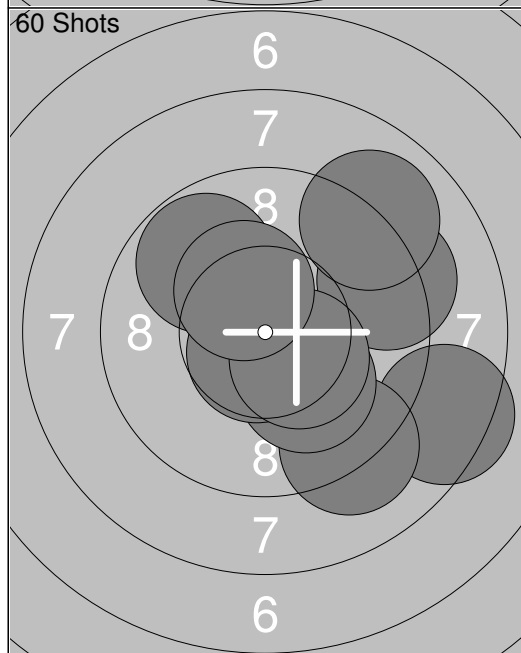
11:	10.7x ↘
12:	9.4 ↑
13:	10.1 ↘
14:	10.9x ↓
15:	10.6x ↑
<b>Series</b>	<b>49.0</b>
<b>Total</b>	<b>0.0</b>



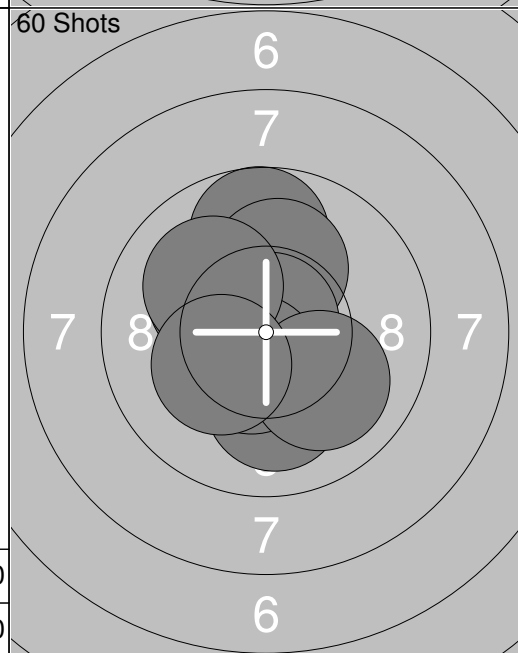
1:	10.3x ↓
2:	9.6 ←
3:	10.8x ↓
4:	10.4x ↗
5:	10.1 ↗
6:	9.7 ↓
7:	10.4x ↖
8:	9.7 ↓
9:	10.1 ↓
10:	9.8 ↓
<b>Series</b>	<b>96.0</b>
<b>Total</b>	<b>96.0</b>



11:	9.1 →
12:	9.5 ↓
13:	9.6 ↘
14:	10.7x ↖
15:	10.1 ↘
16:	10.3x →
17:	9.6 →
18:	9.9 ↙
19:	10.1 ←
20:	9.6 →
<b>Series</b>	<b>94.0</b>
<b>Total</b>	<b>190.0</b>



21:	8.4 →
22:	9.2 ↓
23:	10.1 ↓
24:	10.8x ↓
25:	9.3 →
26:	9.0 ↗
27:	10.7x ↓
28:	9.8 ↗
29:	10.4x ↘
30:	10.4x ↗
<b>Series</b>	<b>94.0</b>
<b>Total</b>	<b>284.0</b>

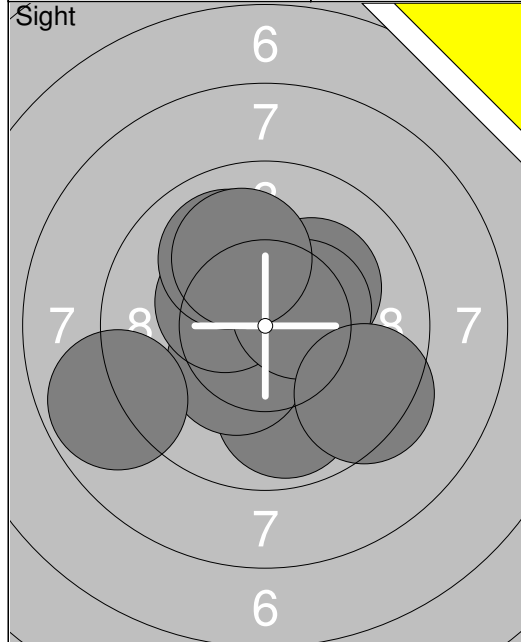


31:	9.7 ↑
32:	10.8x ↓
33:	10.1 ↑
34:	10.2x ↖
35:	10.8x ↑
36:	10.1 ↓
37:	10.5x ↓
38:	10.0 ↘
39:	10.1 ↖
40:	10.2x ↙
<b>Series</b>	<b>99.0</b>
<b>Total</b>	<b>383.0</b>

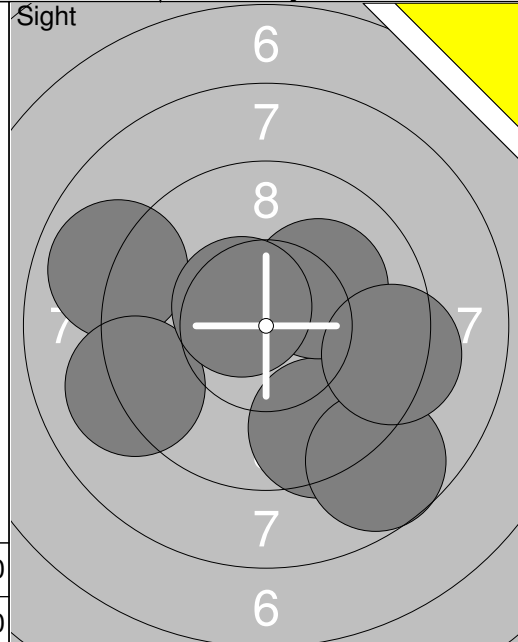
	<p>Sight</p> <p>1: 10.2x ↓</p> <p>2: 9.0 →</p> <p>3: 10.7x →</p> <p>4: 9.6 ↑</p> <p>5: 9.5 →</p> <p>6: 9.1 ←</p> <p>7: 10.4x ↑</p> <p>8: 10.2x →</p> <p>9: 9.2 →</p> <p>10: 10.5x ↗</p>		<p>Sight</p> <p>11: 9.1 →</p> <p>12: 10.5x ←</p>
Series	95.0	Series	19.0
Total	0.0	Total	0.0

	<p>60 Shots</p> <p>1: 9.7 ↗</p> <p>2: 10.0 ↗</p> <p>3: 10.2x ↓</p> <p>4: 10.1 ↑</p> <p>5: 10.4x ↑</p> <p>6: 9.1 ↓</p> <p>7: 10.4x ↙</p> <p>8: 9.7 →</p> <p>9: 10.3x →</p> <p>10: 10.1 ↑</p>		<p>60 Shots</p> <p>11: 9.8 ↑</p> <p>12: 10.5x ↙</p> <p>13: 10.4x ↗</p> <p>14: 10.8x ↑</p> <p>15: 9.3 ↑</p> <p>16: 9.9 →</p> <p>17: 10.1 ←</p> <p>18: 10.4x ↑</p> <p>19: 10.1 →</p> <p>20: 10.6x ↑</p>
Series	97.0	Series	97.0
Total	97.0	Total	194.0

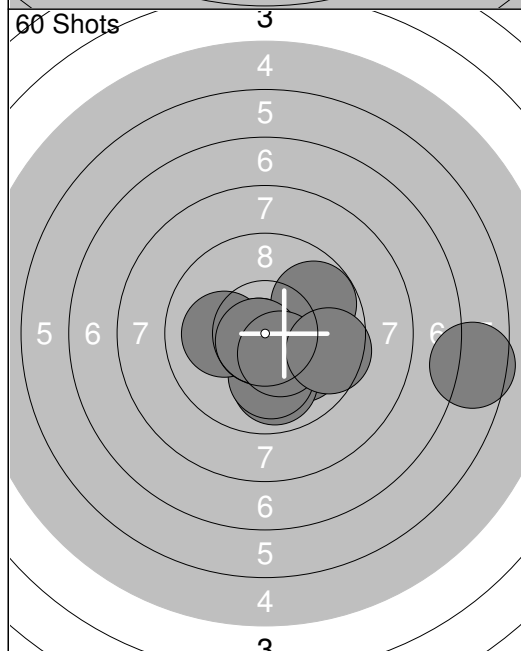
	<p>60 Shots</p> <p>21: 9.5 →</p> <p>22: 9.9 ↓</p> <p>23: 10.1 ↓</p> <p>24: 10.6x ↑</p> <p>25: 10.9x ↗</p> <p>26: 10.5x →</p> <p>27: 9.9 ↓</p> <p>28: 9.9 ↓</p> <p>29: 10.5x ←</p> <p>30: 10.1 ↓</p>		<p>60 Shots</p> <p>31: 9.8 ↙</p> <p>32: 9.6 ↓</p> <p>33: 10.3x ↓</p> <p>34: 10.6x ↙</p> <p>35: 9.7 →</p> <p>36: 9.5 ↓</p> <p>37: 9.8 ←</p> <p>38: 10.5x →</p> <p>39: 9.9 ←</p> <p>40: 9.9 →</p>
Series	96.0	Series	93.0
Total	290.0	Total	383.0



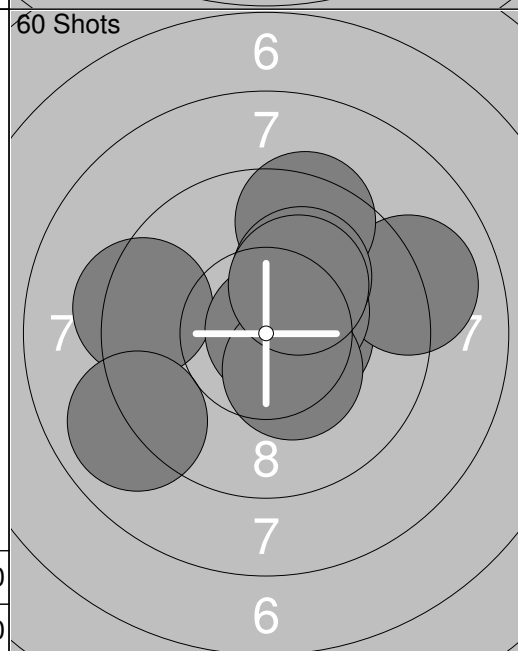
1: 9.9 ↓
2: 10.4x ↗
3: 10.3x ↘
4: 10.2x ↗
5: 10.4x ↖
6: 10.4x →
7: 10.0 ↗
8: 9.4 →
9: 10.0 ↗
10: 8.8 ↖
Series 96.0
Total 0.0



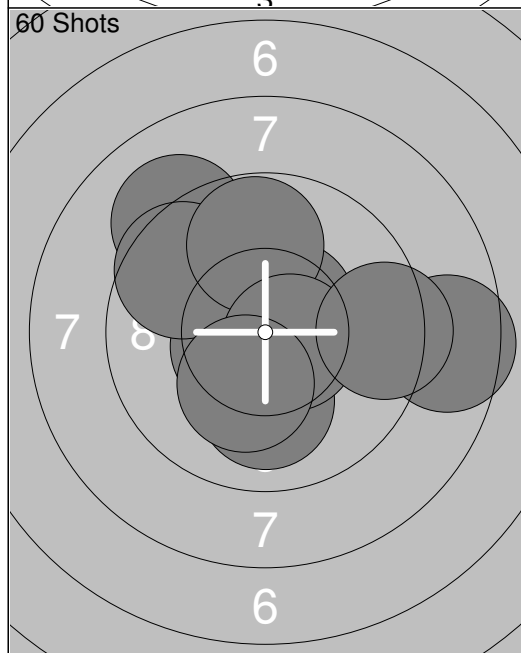
11: 9.5 ↓
12: 8.9 ↖
13: 10.1 ↗
14: 8.7 ↘
15: 9.1 ↖
16: 9.3 →
17: 10.6x ↖
Series 63.0
Total 0.0



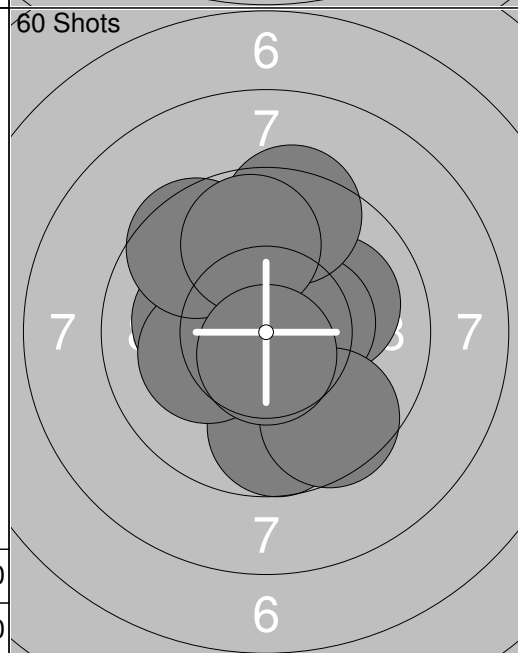
1: 10.0 ↘
2: 10.8x ↘
3: 9.9 ↓
4: 10.1 ↓
5: 6.6 →
6: 10.1 ←
7: 9.8 ↗
8: 10.7x ↘
9: 10.4x ↘
10: 9.6 →
Series 93.0
Total 93.0



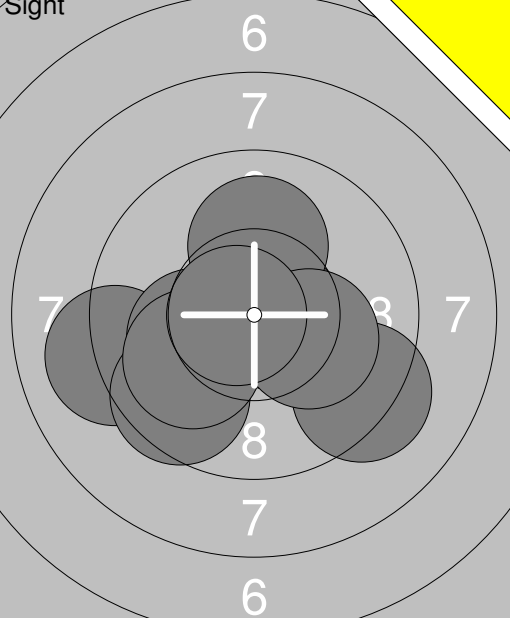
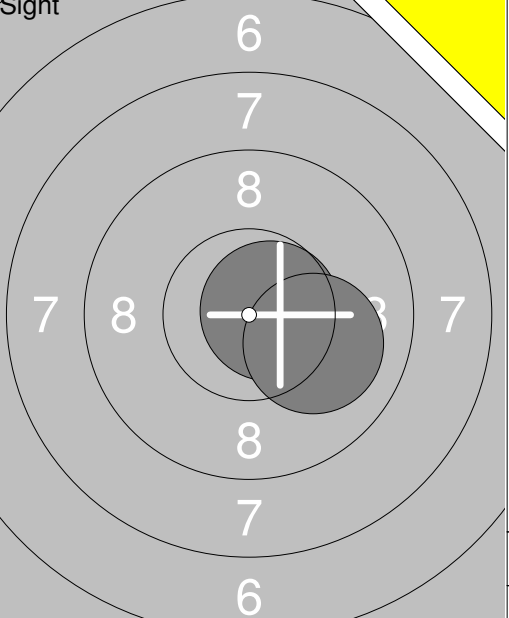
11: 10.5x →
12: 9.0 →
13: 10.4x ↗
14: 9.3 ↖
15: 9.4 ↗
16: 9.0 ↖
17: 10.1 ↗
18: 10.8x →
19: 10.4x ↘
20: 10.2x ↗
Series 96.0
Total 189.0

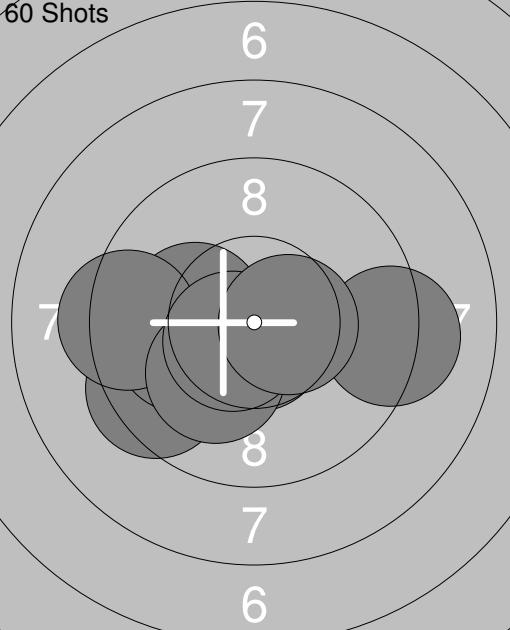
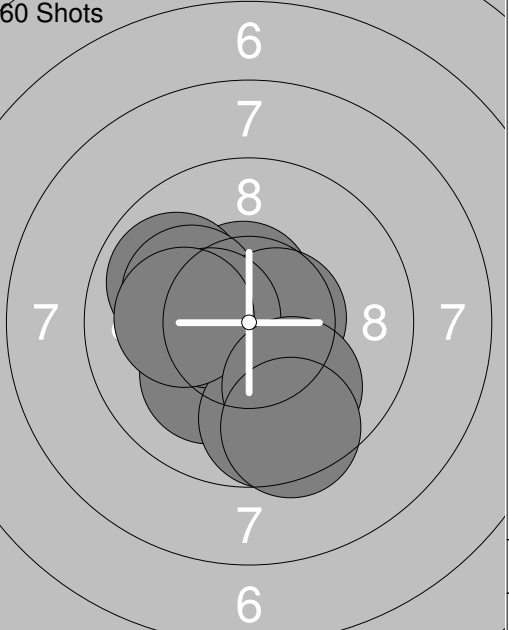


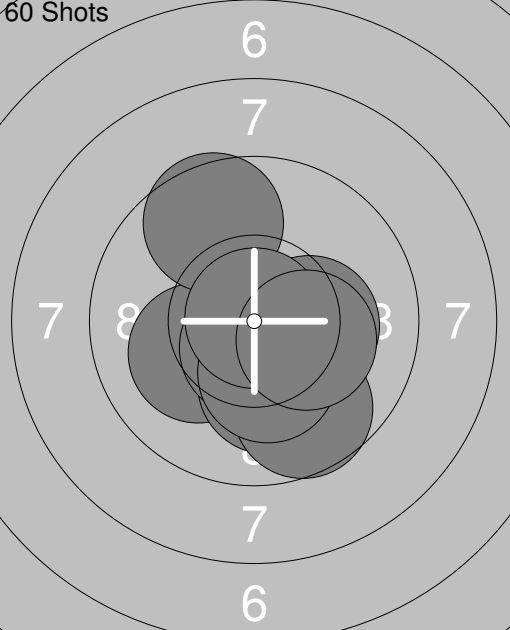
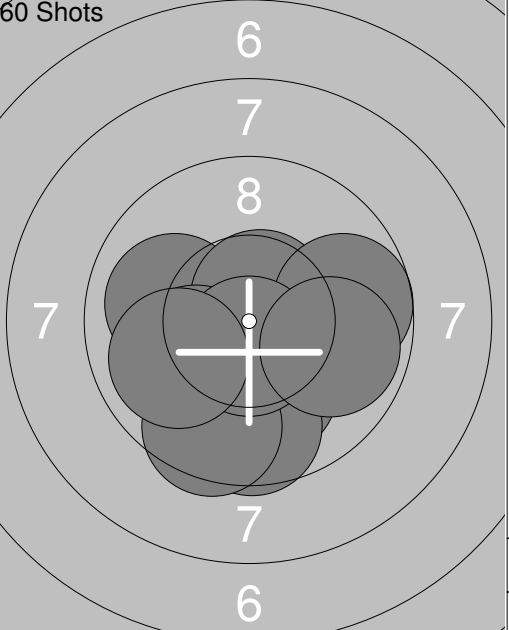
21: 8.6 →
22: 10.0 ↓
23: 10.5x ↗
24: 10.6x ↖
25: 9.1 ↗
26: 9.6 ↖
27: 9.8 ↗
28: 10.6x →
29: 9.4 →
30: 10.2x ↘
Series 94.0
Total 283.0

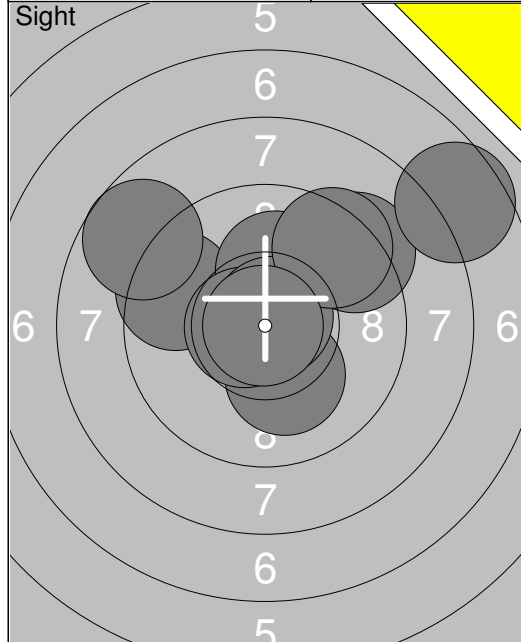


31: 9.7 ↓
32: 10.1 ↖
33: 10.1 ↗
34: 10.2x ↖
35: 10.4x →
36: 9.4 ↗
37: 9.6 ↖
38: 9.8 ↗
39: 9.6 ↘
40: 10.7x ↘
Series 95.0
Total 378.0

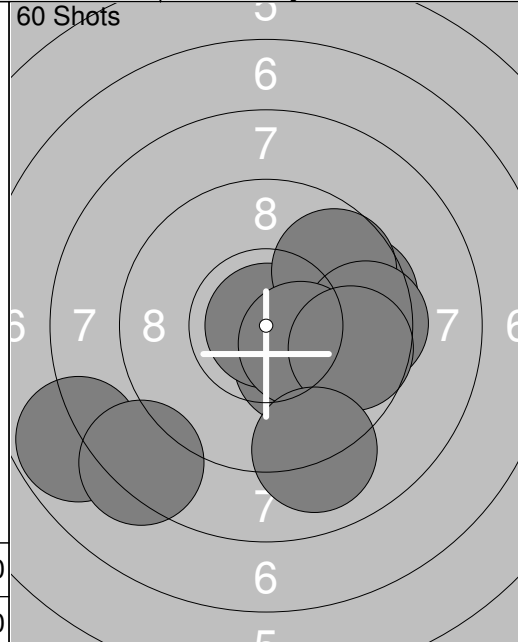
<p><b>Sight</b></p> 	<p>1: 9.6 ↙ 2: 10.6x → 3: 9.1 ↙ 4: 10.2x ↙ 5: 9.6 ↙ 6: 10.0 ↙ 7: 10.1 ↑ 8: 9.3 ↘ 9: 10.2x → 10: 10.7x ←</p> <p>Series 96.0 Total 0.0</p>	<p><b>Sight</b></p> 	<p>11: 10.7x → 12: 10.1 →</p> <p>Series 20.0 Total 0.0</p>
--	--	--	--

<p><b>60 Shots</b></p> 	<p>1: 10.7x ↓ 2: 9.9 ↙ 3: 9.4 ↙ 4: 10.0 ↙ 5: 10.2x ↙ 6: 9.3 ↙ 7: 10.1 ↓ 8: 10.6x ↙ 9: 9.2 → 10: 10.5x →</p> <p>Series 96.0 Total 96.0</p>	<p><b>60 Shots</b></p> 	<p>11: 10.6x ↑ 12: 9.9 ↙ 13: 10.1 ↙ 14: 10.6x → 15: 10.1 ↙ 16: 10.5x ↙ 17: 9.7 ↓ 18: 10.1 ← 19: 10.0 ↓ 20: 9.5 ↓</p> <p>Series 97.0 Total 193.0</p>
--	---	--	---

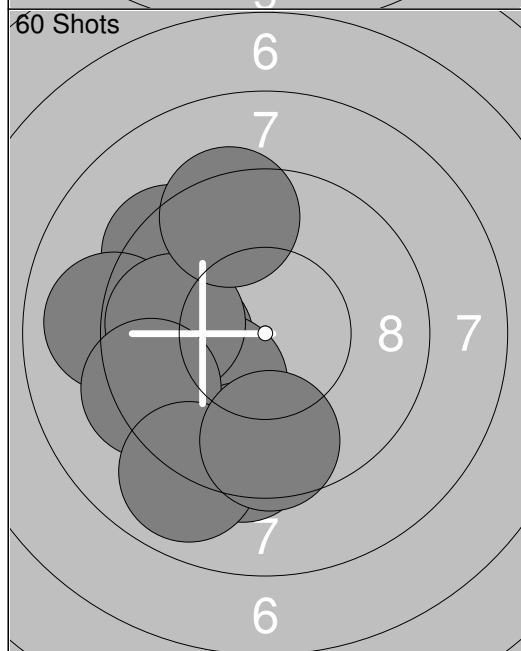
<p><b>60 Shots</b></p> 	<p>21: 10.2x → 22: 10.1 ↙ 23: 9.6 ↑ 24: 10.1 ↓ 25: 10.6x ↓ 26: 10.5x ↓ 27: 9.7 ↓ 28: 10.3x ↓ 29: 10.9x ↑ 30: 10.2x →</p> <p>Series 98.0 Total 291.0</p>	<p><b>60 Shots</b></p> 	<p>31: 10.1 ↓ 32: 10.0 ← 33: 10.6x ↑ 34: 9.6 ↓ 35: 9.7 → 36: 10.1 ↙ 37: 9.5 ↓ 38: 10.6x ↓ 39: 9.9 → 40: 9.9 ↙</p> <p>Series 95.0 Total 386.0</p>
---	---	---	--



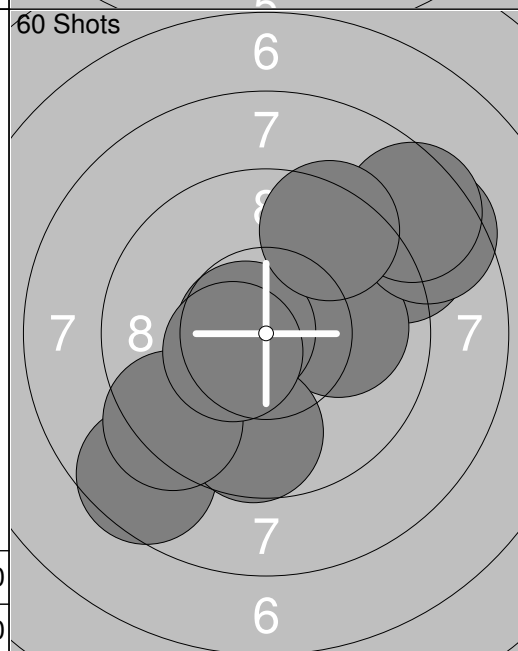
1:	9.2	↗
2:	9.5	↖
3:	7.6	↗
4:	10.1	↑
5:	10.2x	↓
6:	10.6x	←
7:	10.8x	↗
8:	8.7	↖
9:	9.4	↗
10:	10.9x	←
Series		92.0
Total		0.0



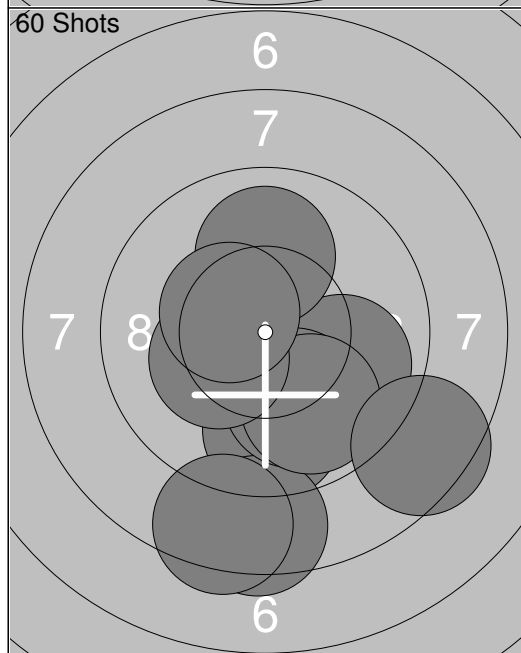
1:	10.3x	↘
2:	7.8	↖
3:	10.9x	→
4:	8.3	↖
5:	9.6	→
6:	9.7	↗
7:	9.5	→
8:	10.4x	↘
9:	9.7	→
10:	9.0	↓
Series		90.0
Total		90.0



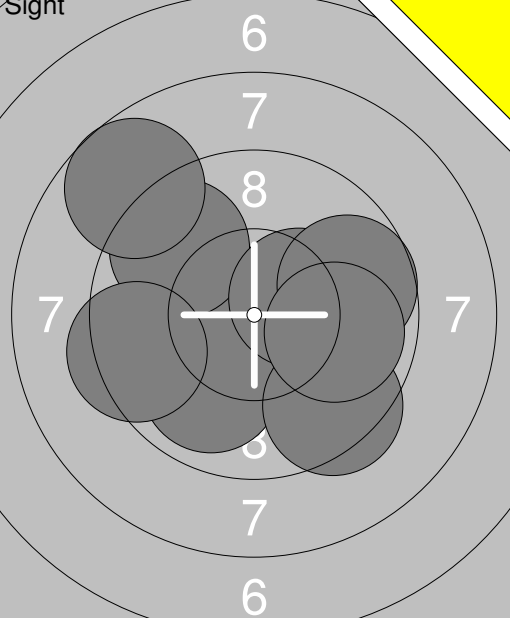
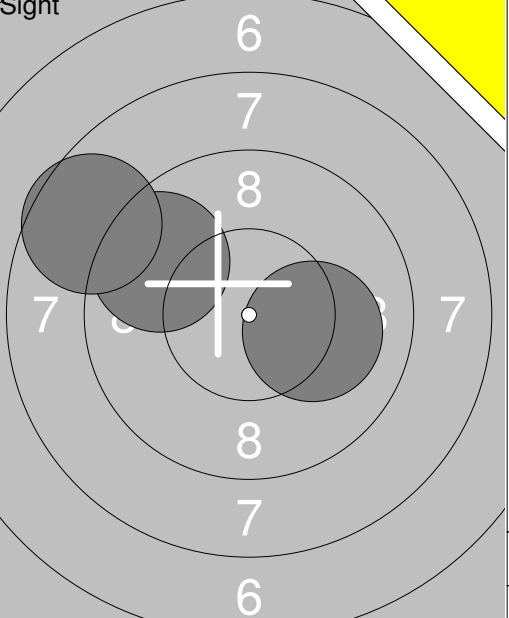
11:	9.4	↖
12:	9.9	←
13:	9.0	←
14:	10.1	↖
15:	9.4	↓
16:	9.8	←
17:	9.3	←
18:	9.4	↑
19:	8.9	↘
20:	9.6	↓
Series		90.0
Total		180.0

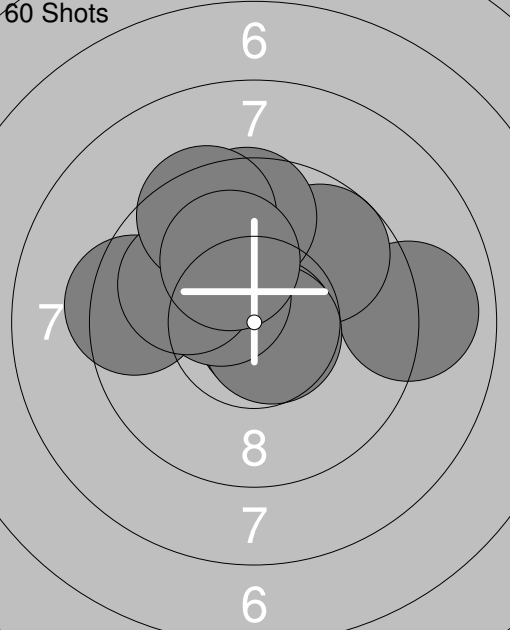
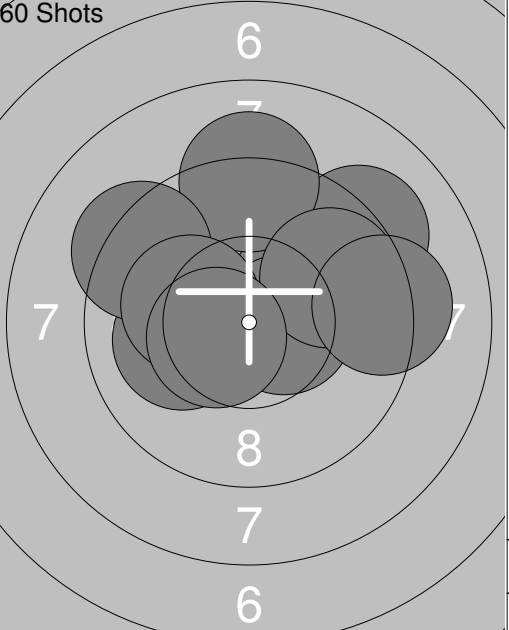


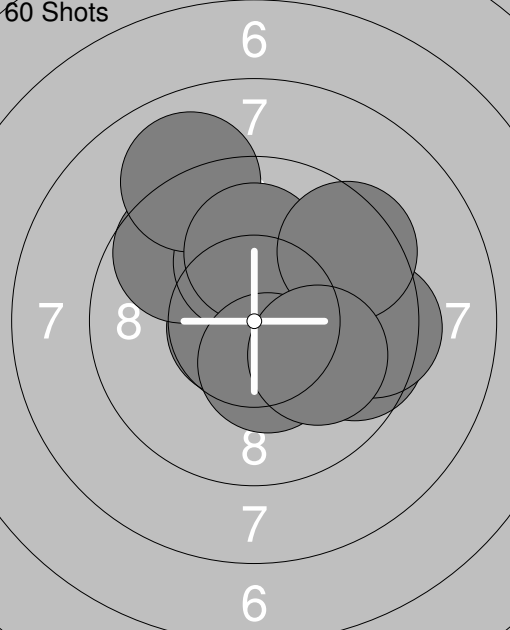
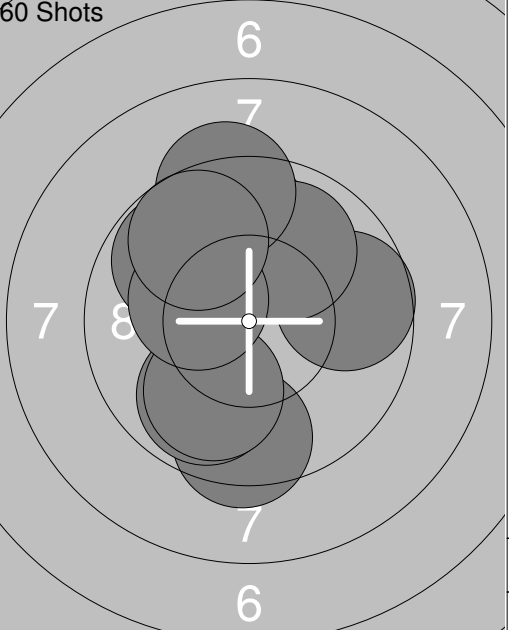
21:	8.9	↗
22:	10.0	→
23:	8.5	↗
24:	10.7x	←
25:	8.5	↗
26:	8.6	↖
27:	9.7	↓
28:	9.3	↖
29:	10.5x	↖
30:	9.4	↗
Series		89.0
Total		269.0

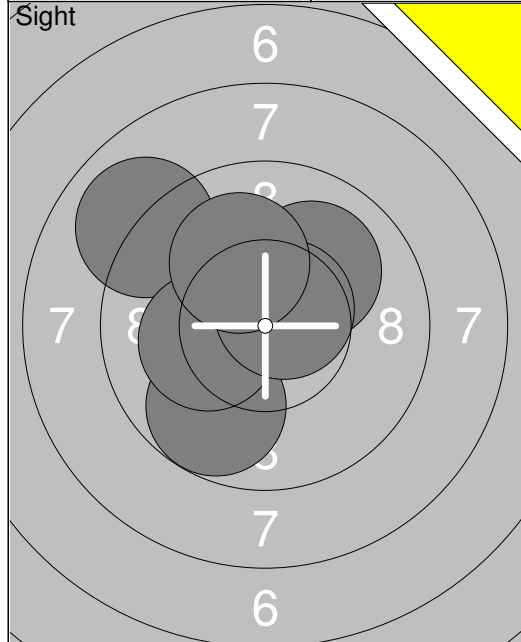


31:	9.9	→
32:	9.7	↓
33:	8.5	↓
34:	10.0	↓
35:	9.9	↘
36:	10.0	↑
37:	8.4	↓
38:	10.3x	↖
39:	8.5	↘
40:	10.4x	↖
Series		91.0
Total		360.0

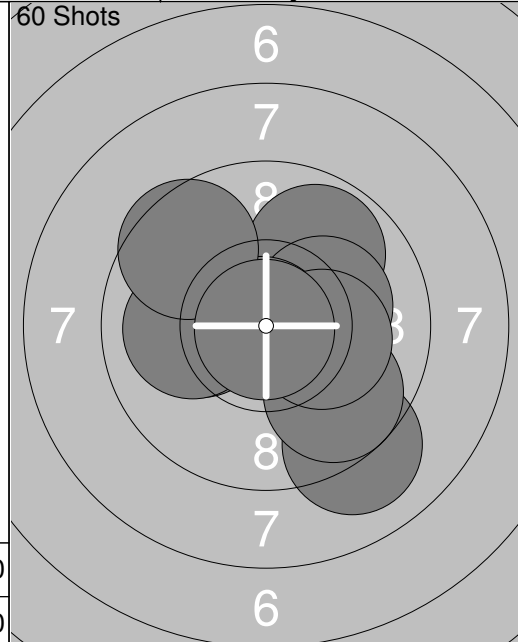
<p><b>Sight</b></p> 	<p>1: 10.6x ←</p> <p>2: 10.4x ←</p> <p>3: 9.7 ↗</p> <p>4: 9.9 ↘</p> <p>5: 10.3x →</p> <p>6: 9.4 ↘</p> <p>7: 9.4 ←</p> <p>8: 9.7 →</p> <p>9: 9.9 →</p> <p>10: 8.7 ↗</p> <p>Series 92.0</p> <p>Total 0.0</p>	<p><b>Sight</b></p> 	<p>11: 9.6 ↗</p> <p>12: 8.6 ↗</p> <p>13: 10.1 →</p> <p>Series 27.0</p> <p>Total 0.0</p>
--	--	--	---

<p><b>60 Shots</b></p> 	<p>1: 9.0 →</p> <p>2: 9.4 ←</p> <p>3: 9.7 ↗</p> <p>4: 9.6 ↑</p> <p>5: 10.8x →</p> <p>6: 10.7x ↘</p> <p>7: 10.4x ↗</p> <p>8: 10.0 ↗</p> <p>9: 9.5 ↑</p> <p>10: 10.1 ↗</p> <p>Series 95.0</p> <p>Total 95.0</p>	<p><b>60 Shots</b></p> 	<p>11: 10.3x ↗</p> <p>12: 9.2 ↗</p> <p>13: 10.5x →</p> <p>14: 10.1 ←</p> <p>15: 9.2 ↑</p> <p>16: 9.3 ↗</p> <p>17: 9.8 ↗</p> <p>18: 10.2x ←</p> <p>19: 9.2 →</p> <p>20: 10.5x ←</p> <p>Series 95.0</p> <p>Total 190.0</p>
--	---	--	--

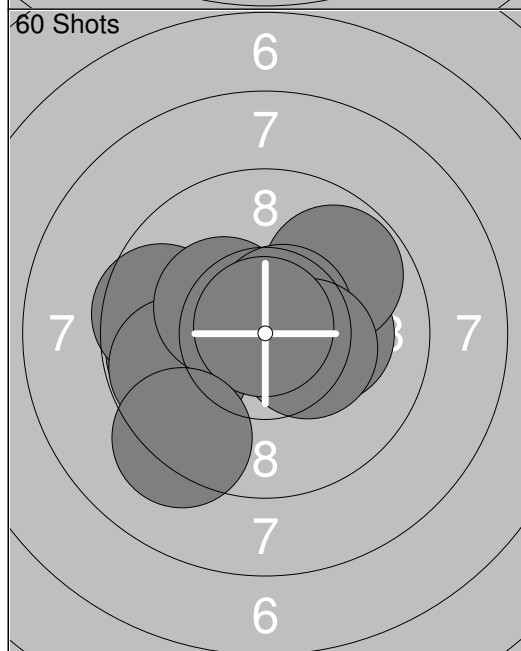
<p><b>60 Shots</b></p> 	<p>21: 10.7x ←</p> <p>22: 9.7 ↗</p> <p>23: 9.6 →</p> <p>24: 10.2x ↑</p> <p>25: 9.0 ↑</p> <p>26: 10.1 ↑</p> <p>27: 9.4 →</p> <p>28: 9.5 ↗</p> <p>29: 10.4x ↘</p> <p>30: 10.0 →</p> <p>Series 95.0</p> <p>Total 285.0</p>	<p><b>60 Shots</b></p> 	<p>31: 9.7 →</p> <p>32: 9.7 ↑</p> <p>33: 9.8 ↗</p> <p>34: 9.9 ↗</p> <p>35: 9.5 ↘</p> <p>36: 9.9 ↘</p> <p>37: 10.0 ↘</p> <p>38: 9.3 ↑</p> <p>39: 10.3x ←</p> <p>40: 9.7 ↗</p> <p>Series 92.0</p> <p>Total 377.0</p>
---	---	---	--



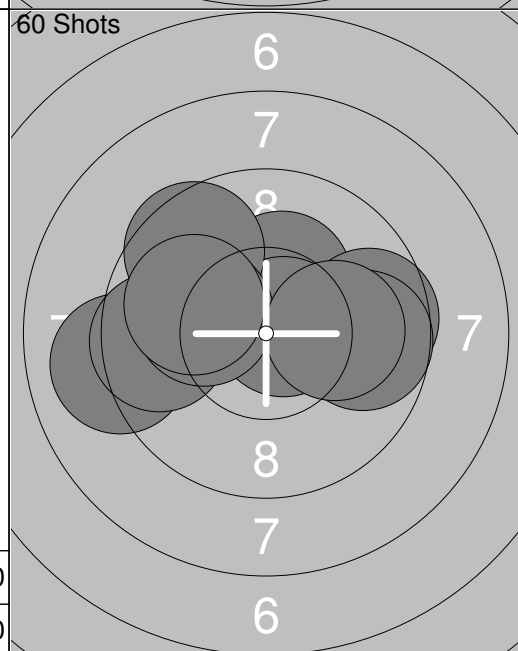
1:	9.0	↖
2:	9.8	↙
3:	10.2x	←
4:	10.0	↗
5:	10.6x	↗
6:	10.1	↗
Series		58.0
Total		0.0



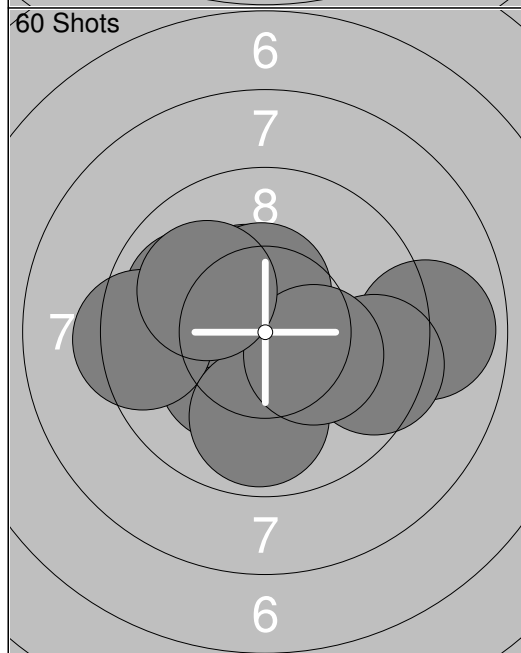
1:	9.8	↗
2:	9.1	↙
3:	10.2x	→
4:	10.9x	←
5:	9.7	↙
6:	10.1	←
7:	10.0	←
8:	9.6	↖
9:	10.2x	→
10:	10.9x	↙
Series		96.0
Total		96.0



11:	9.8	←
12:	10.2x	→
13:	9.6	←
14:	9.8	←
15:	10.3x	↖
16:	9.8	↗
17:	10.6x	↗
18:	10.4x	→
19:	10.9x	↗
20:	9.2	↙
Series		95.0
Total		191.0

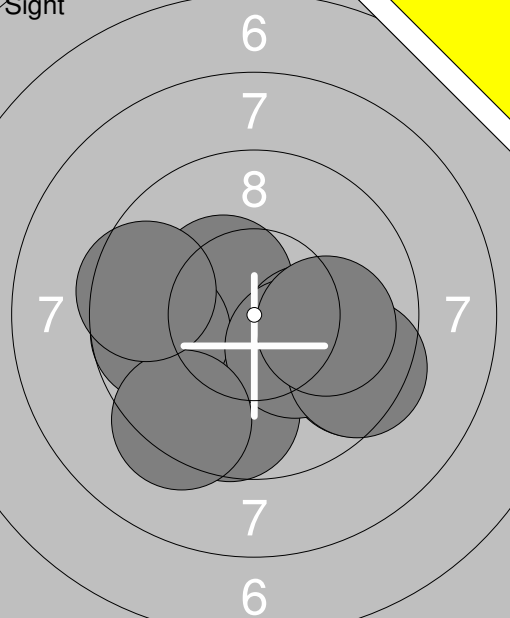
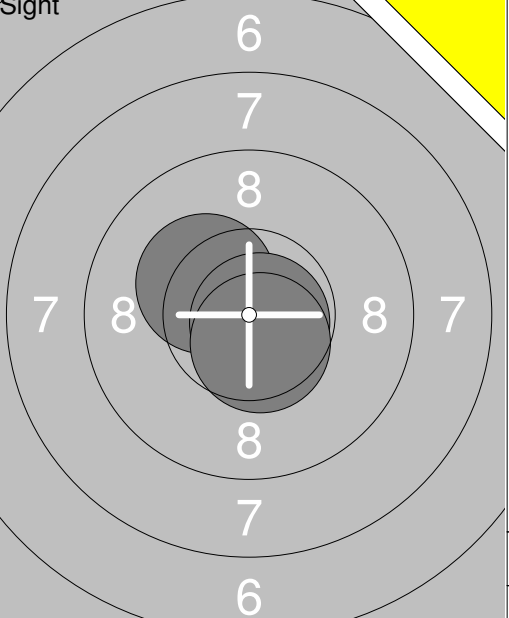


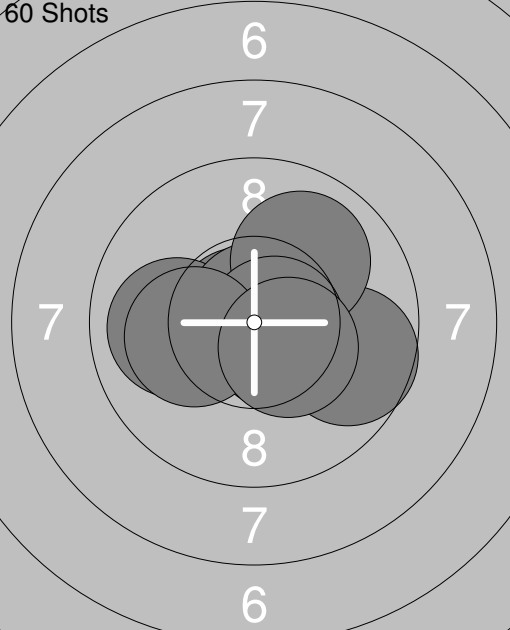
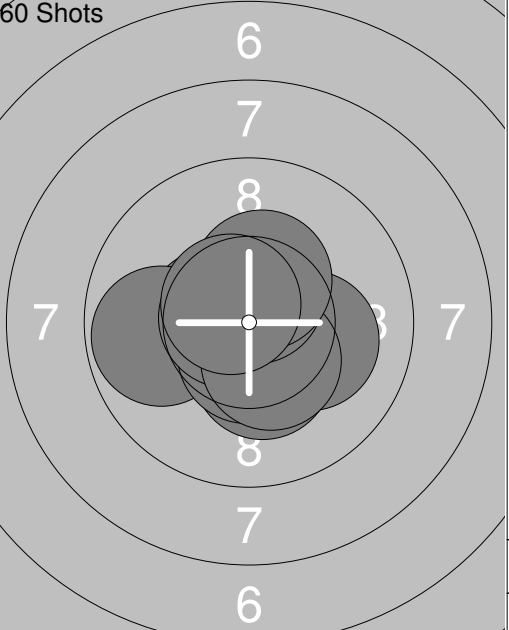
21:	10.3x	↗
22:	9.0	←
23:	10.7x	→
24:	9.6	↖
25:	9.6	→
26:	9.6	←
27:	10.1	←
28:	10.0	↖
29:	9.7	→
30:	10.1	→
Series		95.0
Total		286.0

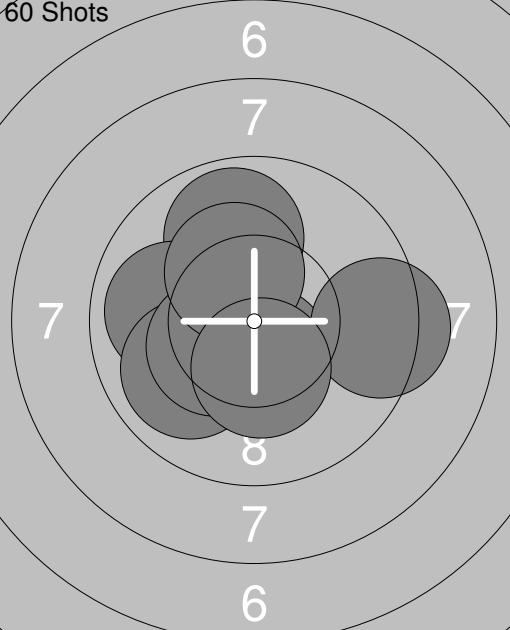
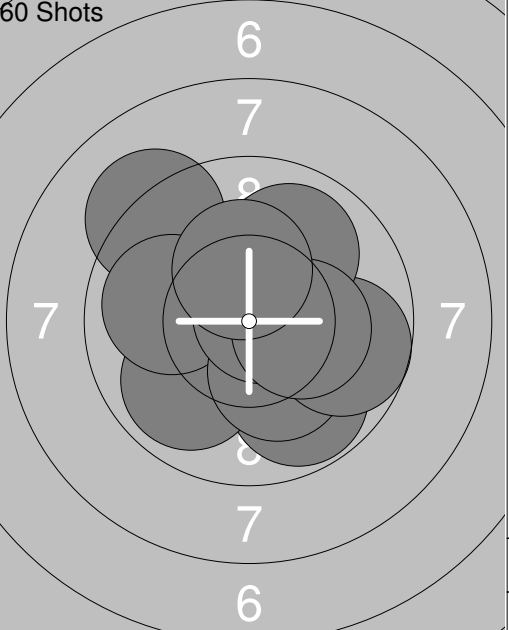


31:	10.3x	↙
32:	9.9	↖
33:	10.4x	↗
34:	8.9	→
35:	9.5	→
36:	10.4x	↗
37:	9.4	←
38:	9.9	↓
39:	10.3x	→
40:	10.0	↖
Series		94.0
Total		380.0



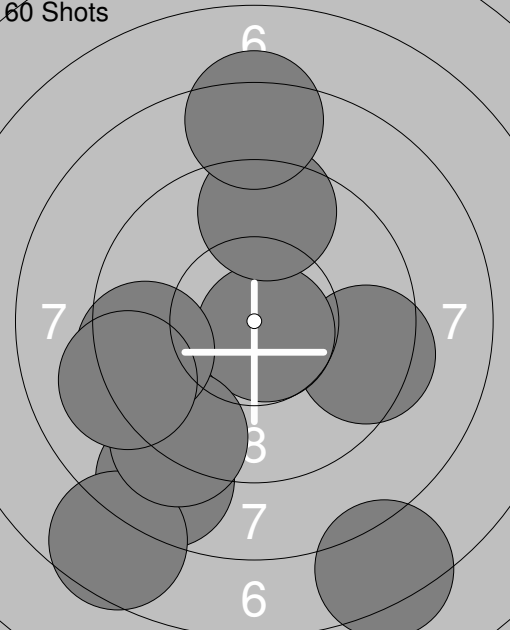
 <p style="text-align:center;">Sight</p>	<p>1: 9.7 ↓</p> <p>2: 10.4x ↗</p> <p>3: 10.2x →</p> <p>4: 9.7 ←</p> <p>5: 9.5 →</p> <p>6: 10.3x ↘</p> <p>7: 9.5 →</p> <p>8: 10.0 →</p> <p>9: 9.3 ↓</p> <p>10: 9.5 ←</p>	 <p style="text-align:center;">Sight</p>	<p>11: 10.3x ↖</p> <p>12: 10.8x ↘</p> <p>13: 10.6x ↓</p>
Series 94.0		Series 30.0	
Total 0.0		Total 0.0	

 <p style="text-align:center;">60 Shots</p>	<p>1: 10.8x ↖</p> <p>2: 10.6x ↘</p> <p>3: 10.5x →</p> <p>4: 10.0 ←</p> <p>5: 10.8x ↑</p> <p>6: 9.7 →</p> <p>7: 10.0 ↗</p> <p>8: 10.7x →</p> <p>9: 10.2x ↖</p> <p>10: 10.4x ↘</p>	 <p style="text-align:center;">60 Shots</p>	<p>11: 10.5x ↖</p> <p>12: 9.8 ←</p> <p>13: 10.3x ↓</p> <p>14: 10.1 →</p> <p>15: 10.6x ↓</p> <p>16: 10.7x ↖</p> <p>17: 10.4x ↓</p> <p>18: 10.6x ↑</p> <p>19: 10.4x ↑</p> <p>20: 10.6x ↖</p>
Series 99.0		Series 99.0	
Total 99.0		Total 198.0	

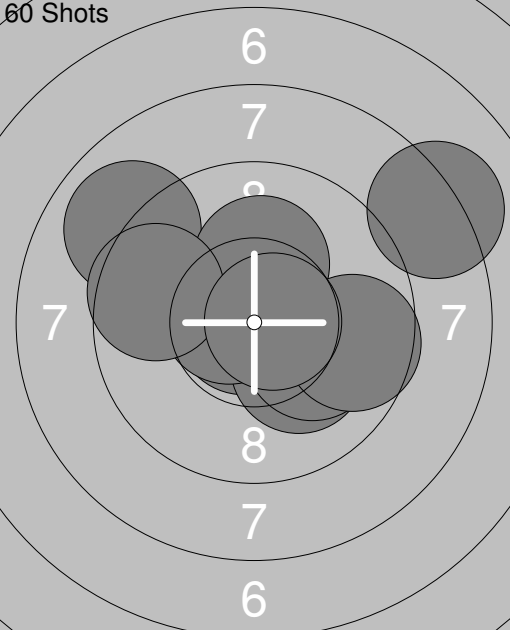
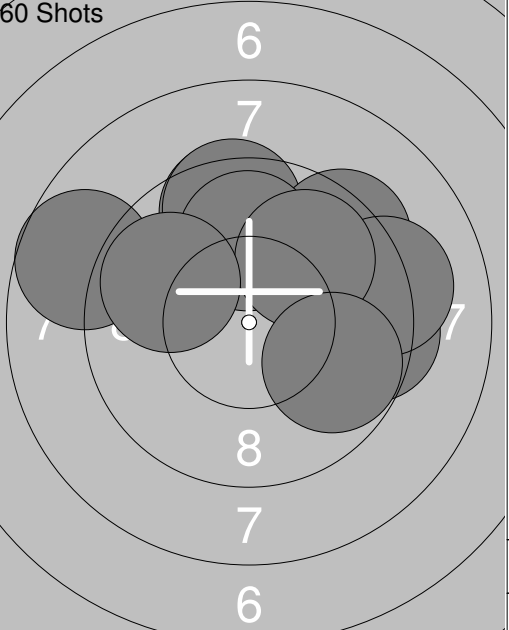
 <p style="text-align:center;">60 Shots</p>	<p>21: 9.8 ↑</p> <p>22: 10.3x ↖</p> <p>23: 10.5x ↓</p> <p>24: 10.3x ↖</p> <p>25: 9.9 ←</p> <p>26: 9.9 ↖</p> <p>27: 10.4x ↖</p> <p>28: 9.3 →</p> <p>29: 10.3x ↗</p> <p>30: 10.3x ↓</p>	 <p style="text-align:center;">60 Shots</p>	<p>31: 9.8 ↓</p> <p>32: 9.2 ↗</p> <p>33: 9.9 ↖</p> <p>34: 9.9 ←</p> <p>35: 10.2x ↓</p> <p>36: 9.7 →</p> <p>37: 10.7x ↗</p> <p>38: 9.9 ↗</p> <p>39: 10.3x →</p> <p>40: 10.3x ↑</p>
Series 96.0		Series 94.0	
Total 294.0		Total 388.0	

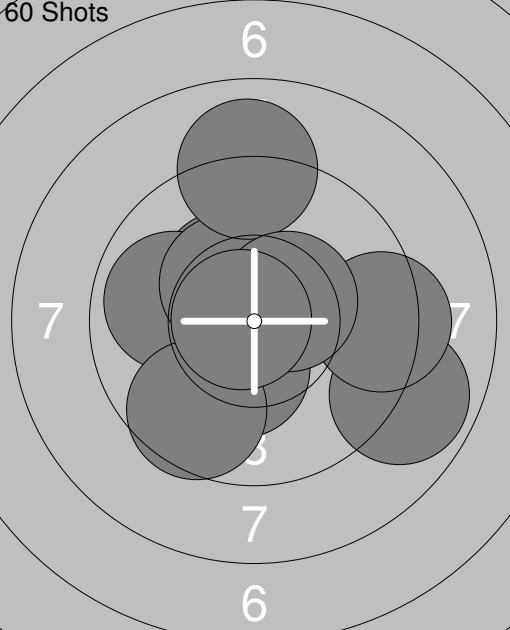
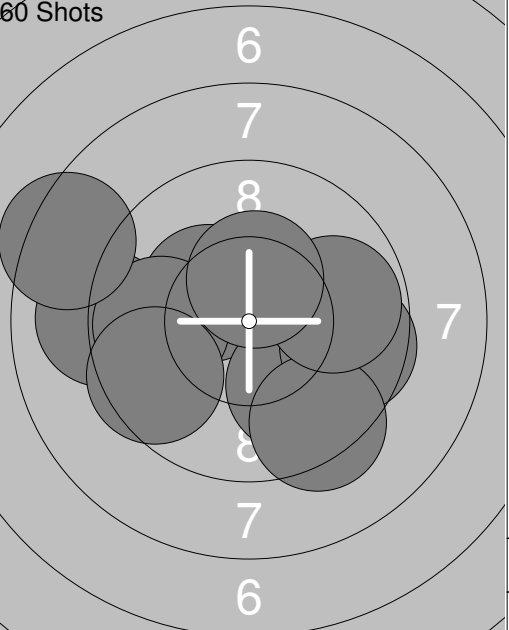
<p><b>Sight</b></p> 	<p><b>60 Shots</b></p> 	<p><b>1: 8.2</b> ←</p> <p><b>2: 8.2</b> ↓</p> <p><b>3: 8.0</b> ↓</p> <p><b>4: 9.6</b> ↓</p> <p><b>5: 9.3</b> ↙</p> <p><b>6: 9.6</b> →</p> <p><b>7: 10.4x</b> ↗</p> <hr/> <p><b>Series</b> 61.0</p> <p><b>Total</b> 0.0</p>	<p><b>1: 8.0</b> ↓</p> <p><b>2: 7.9</b> ↓</p> <p><b>3: 9.2</b> ←</p> <p><b>4: 7.5</b> ↓</p> <p><b>5: 7.9</b> ↙</p> <p><b>6: 10.1</b> ←</p> <p><b>7: 9.5</b> ↑</p> <p><b>8: 9.9</b> ↑</p> <p><b>9: 7.1</b> ↙</p> <p><b>10: 9.2</b> ↗</p> <hr/> <p><b>Series</b> 82.0</p> <p><b>Total</b> 82.0</p>
--	---	--	--

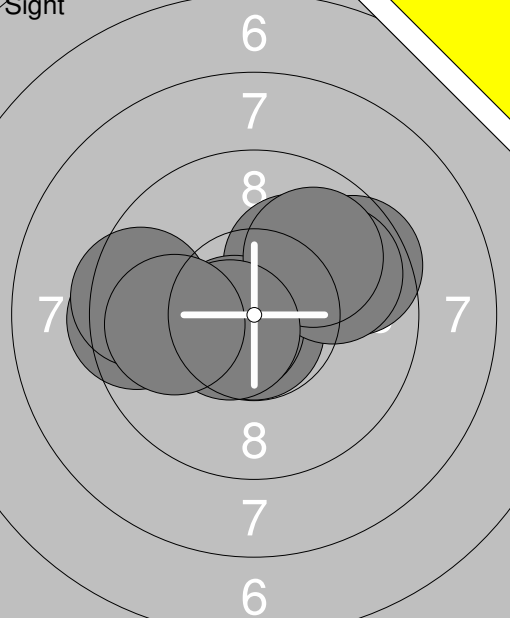
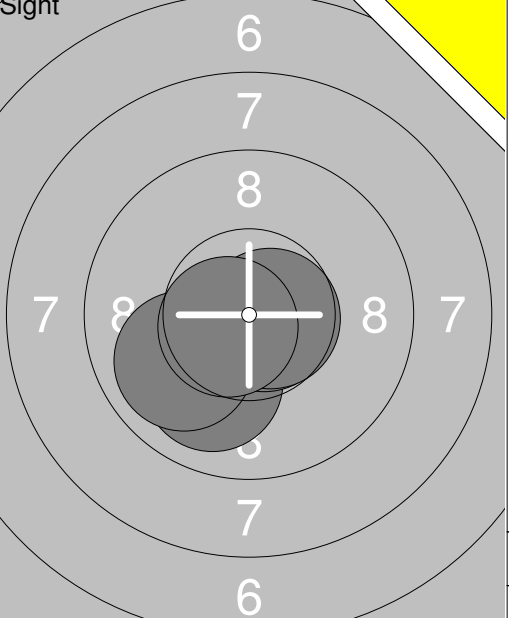
<p><b>60 Shots</b></p> 	<p><b>60 Shots</b></p> 	<p><b>11: 8.5</b> ↙</p> <p><b>12: 10.4x</b> →</p> <p><b>13: 9.3</b> ↗</p> <p><b>14: 9.5</b> ↖</p> <p><b>15: 8.9</b> ←</p> <p><b>16: 9.3</b> →</p> <p><b>17: 9.6</b> ↓</p> <p><b>18: 8.5</b> ↑</p> <p><b>19: 9.0</b> ←</p> <p><b>20: 8.8</b> →</p> <hr/> <p><b>Series</b> 87.0</p> <p><b>Total</b> 169.0</p>	<p><b>21: 8.6</b> →</p> <p><b>22: 9.9</b> ↓</p> <p><b>23: 9.5</b> ←</p> <p><b>24: 10.6x</b> ↙</p> <p><b>25: 9.8</b> ↗</p> <p><b>26: 9.3</b> →</p> <p><b>27: 10.0</b> ↓</p> <p><b>28: 8.5</b> ←</p> <p><b>29: 10.4x</b> →</p> <p><b>30: 8.6</b> →</p> <hr/> <p><b>Series</b> 90.0</p> <p><b>Total</b> 259.0</p>
--	--	---	--

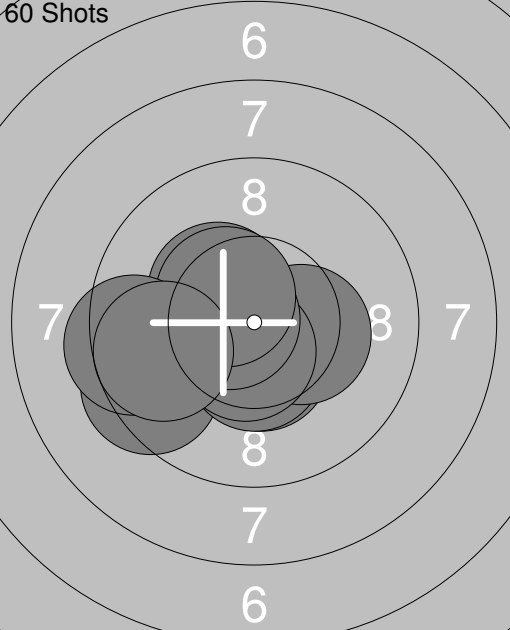
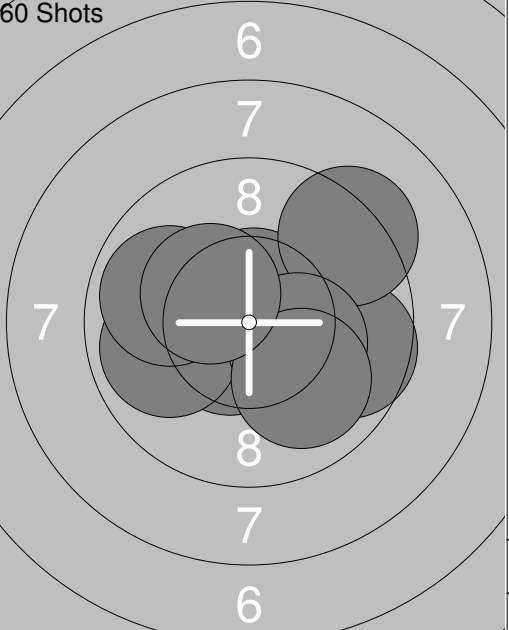
<p><b>60 Shots</b></p> 	<p><b>31: 8.6</b> ↙</p> <p><b>32: 7.6</b> ↙</p> <p><b>33: 9.4</b> →</p> <p><b>34: 10.7x</b> ↙</p> <p><b>35: 9.1</b> ↙</p> <p><b>36: 9.5</b> ←</p> <p><b>37: 9.5</b> ↑</p> <p><b>38: 9.1</b> ←</p> <p><b>39: 7.3</b> ↓</p> <p><b>40: 8.3</b> ↑</p> <hr/> <p><b>Series</b> 85.0</p> <p><b>Total</b> 344.0</p>		
---	---	--	--

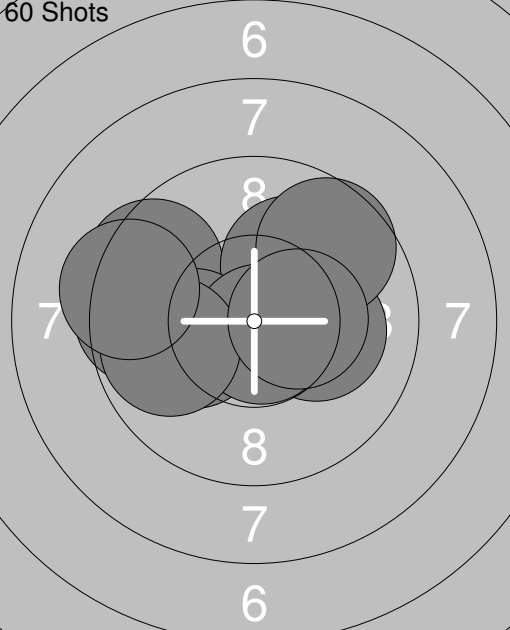
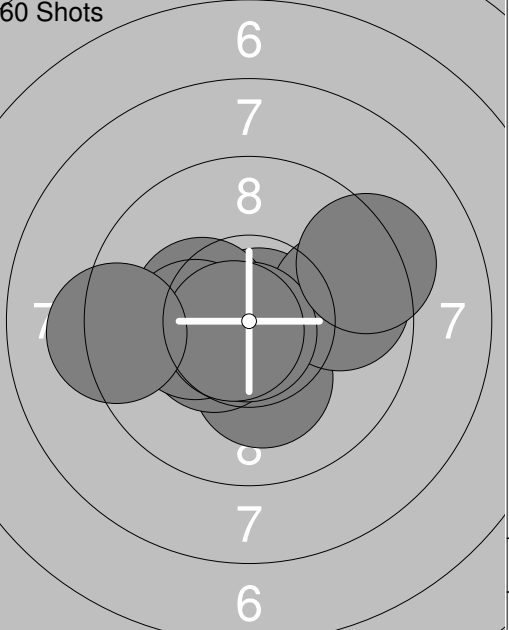
 <p style="text-align: center;">Sight</p>	<p>1: 6.7 →</p> <p>2: 9.7 ↗</p> <p>3: 10.3x ←</p> <p>4: 9.5 →</p> <p>5: 10.2x ↘</p> <p>6: 10.3x ↑</p> <p>7: 9.1 ↗</p> <p>8: 10.4x ←</p> <p>9: 8.9 ←</p> <p>10: 9.0 ↑</p>	 <p style="text-align: center;">Sight</p>	<p>11: 10.0 ↑</p> <p>12: 9.2 →</p>
<b>Series</b>	90.0	<b>Series</b>	19.0
<b>Total</b>	0.0	<b>Total</b>	0.0

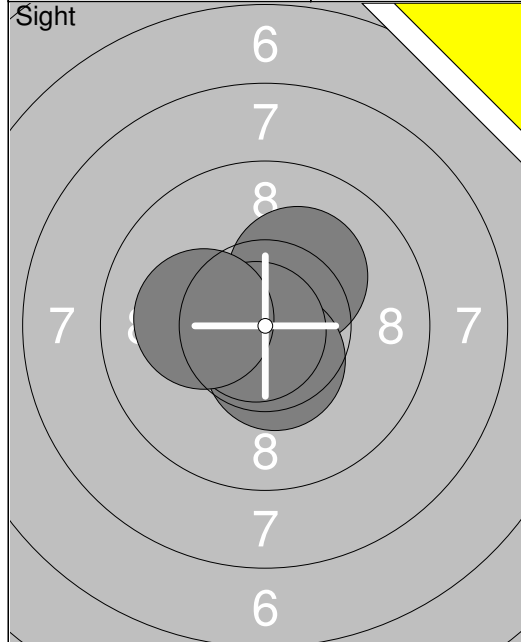
 <p style="text-align: center;">60 Shots</p>	<p>1: 10.8x ←</p> <p>2: 10.2x ↘</p> <p>3: 10.6x ←</p> <p>4: 9.0 ↗</p> <p>5: 8.2 ↗</p> <p>6: 10.2x ↑</p> <p>7: 10.1 ↘</p> <p>8: 9.6 ←</p> <p>9: 9.6 →</p> <p>10: 10.7x →</p>	 <p style="text-align: center;">60 Shots</p>	<p>11: 9.4 →</p> <p>12: 9.5 ↑</p> <p>13: 9.5 ↑</p> <p>14: 9.4 ↗</p> <p>15: 8.7 ←</p> <p>16: 9.9 ↑</p> <p>17: 9.2 →</p> <p>18: 9.9 ↗</p> <p>19: 9.8 ←</p> <p>20: 9.8 →</p>
<b>Series</b>	95.0	<b>Series</b>	89.0
<b>Total</b>	95.0	<b>Total</b>	184.0

 <p style="text-align: center;">60 Shots</p>	<p>21: 10.3x ↗</p> <p>22: 10.3x ↘</p> <p>23: 9.9 ←</p> <p>24: 9.6 ↘</p> <p>25: 8.9 ↘</p> <p>26: 10.4x ↗</p> <p>27: 9.3 →</p> <p>28: 9.0 ↑</p> <p>29: 10.5x ↗</p> <p>30: 10.8x ←</p>	 <p style="text-align: center;">60 Shots</p>	<p>31: 10.3x ↗</p> <p>32: 9.9 ↘</p> <p>33: 9.1 ←</p> <p>34: 9.8 ←</p> <p>35: 9.6 →</p> <p>36: 8.4 ←</p> <p>37: 9.4 ↘</p> <p>38: 9.8 →</p> <p>39: 10.4x ↑</p> <p>40: 9.5 ↗</p>
<b>Series</b>	94.0	<b>Series</b>	91.0
<b>Total</b>	278.0	<b>Total</b>	369.0

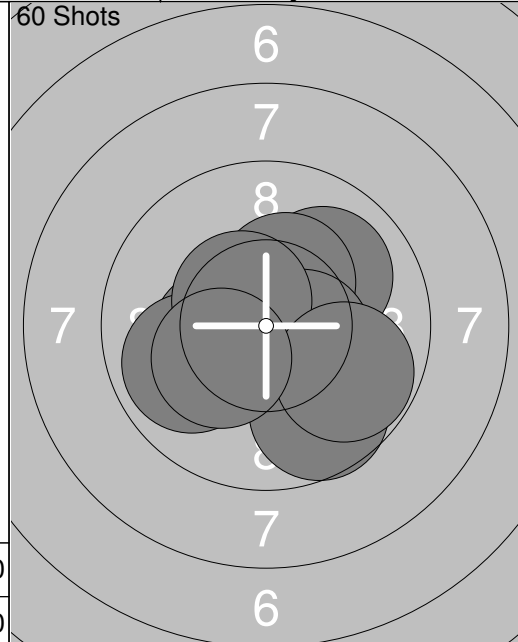
<p><b>Sight</b></p> 	<p>1: 10.8x ↓                  2: 10.1 ↗                  3: 10.7x ↙                  4: 9.5 ←                  5: 9.5 ↗                  6: 9.5 ←                  7: 9.8 ↗                  8: 9.9 ↗                  9: 10.6x ↙                  10: 9.9 ←</p> <p>Series 94.0 Total 0.0</p>	<p><b>Sight</b></p> 	<p>11: 10.0 ↙                  12: 10.7x →                  13: 9.9 ↙                  14: 10.7x →                  15: 10.6x ↙</p> <p>Series 49.0 Total 0.0</p>
--	--	--	--

<p><b>60 Shots</b></p> 	<p>1: 9.4 ←                  2: 10.5x ↓                  3: 10.5x ↓                  4: 10.3x →                  5: 10.6x ↓                  6: 10.6x ↙                  7: 10.3x ↙                  8: 10.5x ↙                  9: 9.4 ←                  10: 9.7 ←</p> <p>Series 97.0 Total 97.0</p>	<p><b>60 Shots</b></p> 	<p>11: 9.7 →                  12: 10.6x ↑                  13: 10.4x ↙                  14: 9.3 ↗                  15: 10.6x ↙                  16: 9.9 ←                  17: 10.3x →                  18: 10.0 ↓                  19: 9.9 ←                  20: 10.3x ↙</p> <p>Series 96.0 Total 193.0</p>
--	--	--	---

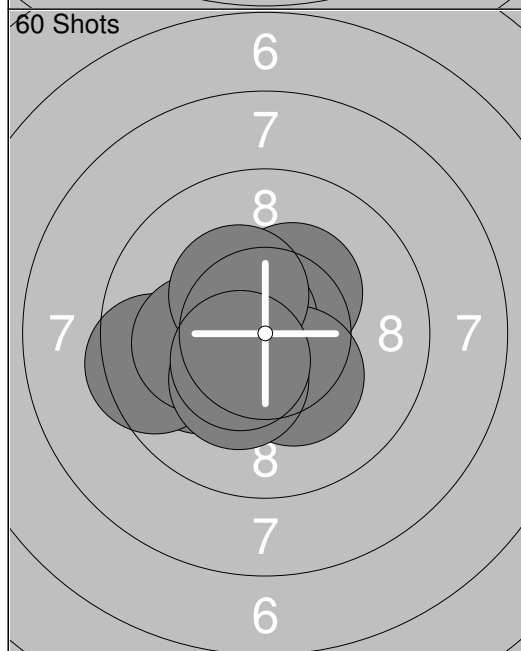
<p><b>60 Shots</b></p> 	<p>21: 9.5 ←                  22: 9.5 ←                  23: 10.1 ↗                  24: 10.1 ←                  25: 10.2x →                  26: 10.8x ↓                  27: 9.6 ↗                  28: 9.8 ←                  29: 9.3 ←                  30: 10.4x →</p> <p>Series 95.0 Total 288.0</p>	<p><b>60 Shots</b></p> 	<p>31: 10.8x →                  32: 10.2x ↓                  33: 9.8 →                  34: 10.4x ↙                  35: 10.3x ↙                  36: 10.8x ↓                  37: 9.3 ↗                  38: 10.3x ↙                  39: 10.7x ↙                  40: 9.3 ←</p> <p>Series 97.0 Total 385.0</p>
---	--	---	--



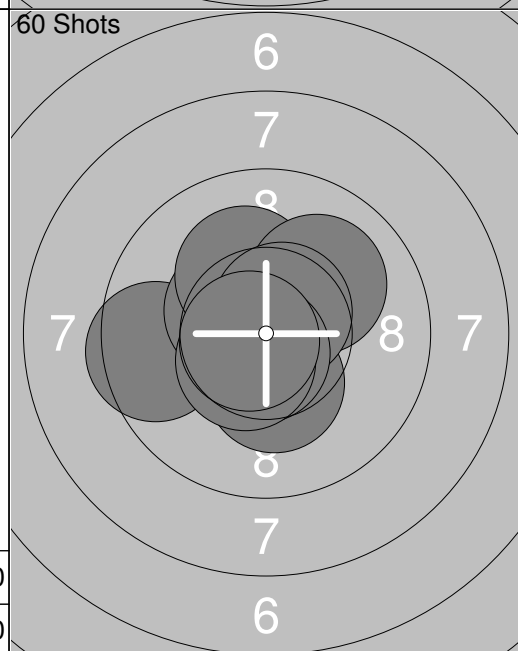
1: 10.2x ↗
2: 10.5x ↓
3: 10.8x ↙
4: 10.2x ↙
<b>Series</b> 40.0
<b>Total</b> 0.0



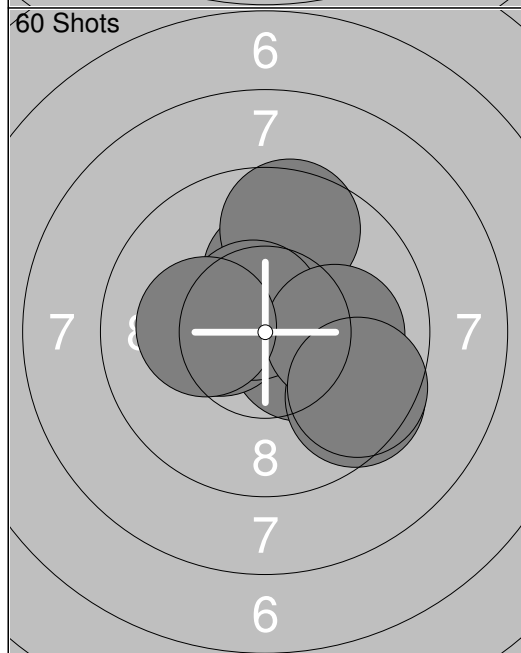
1: 10.0 ↗
2: 10.4x ↘
3: 10.4x ↙
4: 9.9 ↙
5: 10.3x ↗
6: 10.5x →
7: 10.5x ↖
8: 9.7 ↓
9: 9.8 →
10: 10.2x ↙
<b>Series</b> 97.0
<b>Total</b> 97.0



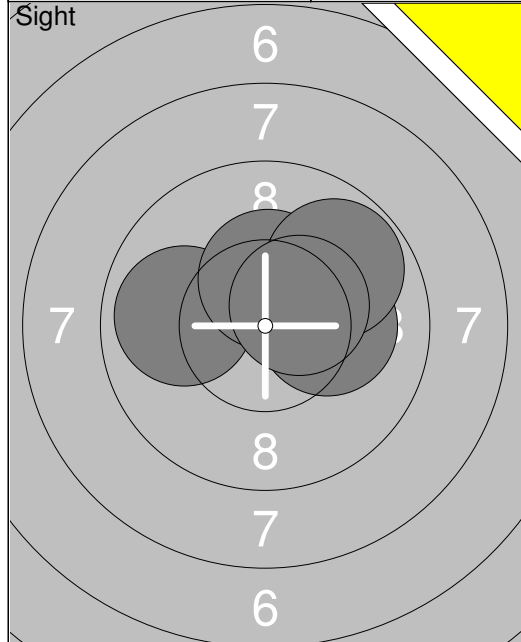
11: 10.6x ↙
12: 10.1 ↙
13: 10.3x ↗
14: 10.7x ↖
15: 9.5 ↙
16: 10.3x ↘
17: 10.1 ↙
18: 10.4x ↖
19: 10.3x ↘
20: 10.5x ↙
<b>Series</b> 99.0
<b>Total</b> 196.0



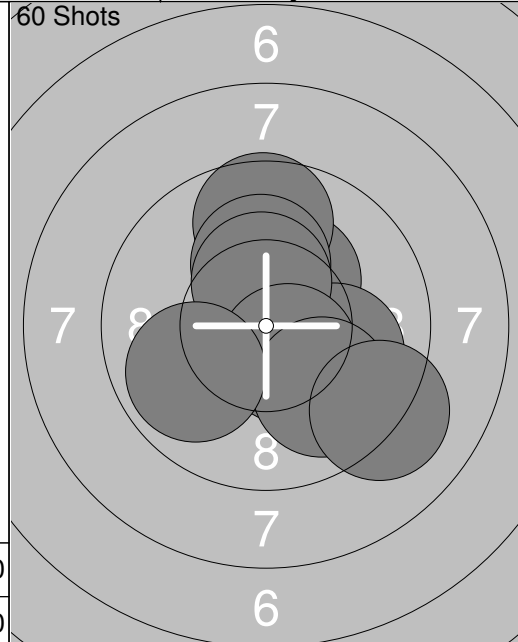
21: 9.5 ↙
22: 10.4x ↖
23: 10.2x ↗
24: 10.1 ↗
25: 10.3x ↘
26: 10.6x ↘
27: 10.6x ↗
28: 10.7x ↘
29: 10.5x ↘
30: 10.7x ↙
<b>Series</b> 99.0
<b>Total</b> 295.0



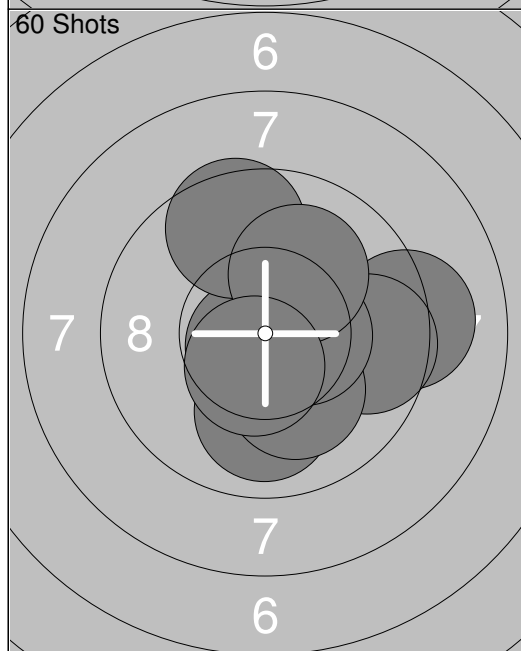
31: 10.7x ↗
32: 10.2x ↗
33: 10.4x →
34: 9.6 ↗
35: 9.5 ↘
36: 10.4x ↙
37: 10.6x ↗
38: 10.1 →
39: 10.2x ↙
40: 9.6 ↘
<b>Series</b> 97.0
<b>Total</b> 392.0



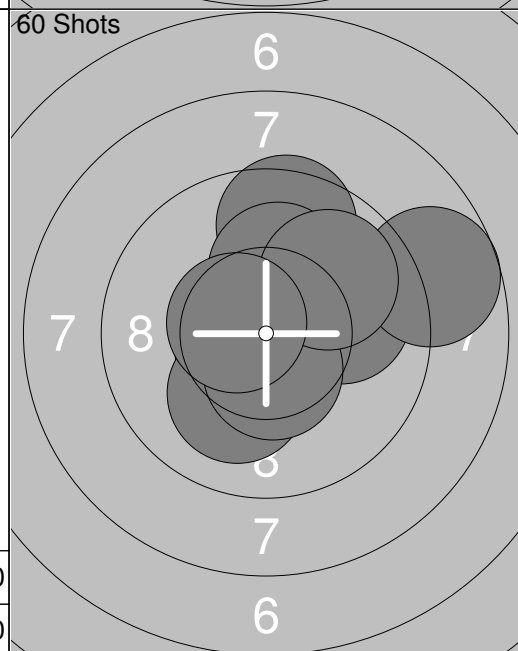
1: 9.9	←
2: 10.2x	→
3: 10.4x	↑
4: 9.8	↗
5: 10.4x	↗
<b>Series 48.0</b>	
<b>Total 0.0</b>	



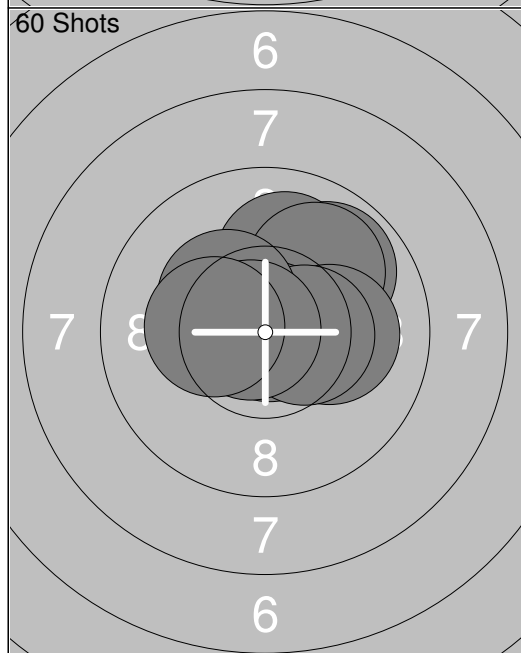
1: 10.7x	↘
2: 10.3x	↗
3: 9.6	↑
4: 10.2x	↑
5: 10.0	→
6: 10.4x	↑
7: 10.5x	↘
8: 9.9	↘
9: 9.1	↘
10: 9.9	↙
<b>Series 96.0</b>	
<b>Total 96.0</b>	



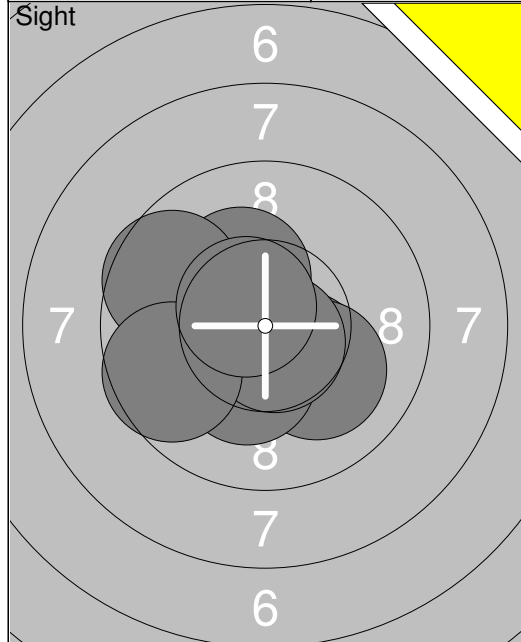
11: 10.0	↓
12: 9.2	→
13: 9.6	→
14: 10.8x	↓
15: 10.7x	↙
16: 10.1	↓
17: 10.5x	→
18: 9.5	↑
19: 10.1	↗
20: 10.5x	↓
<b>Series 97.0</b>	
<b>Total 193.0</b>	



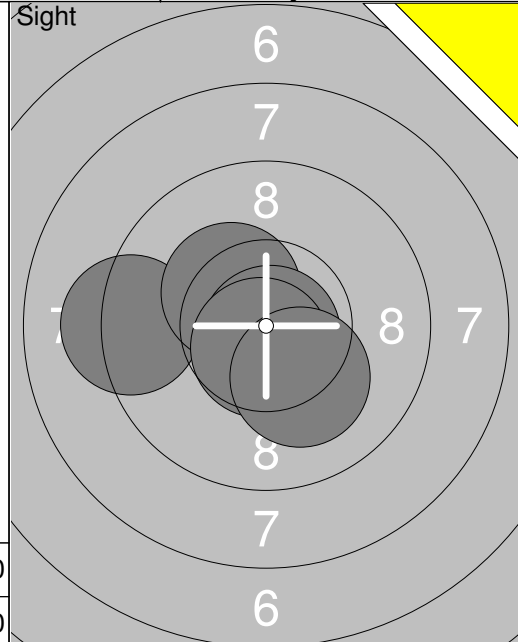
21: 10.6x	↙
22: 10.2x	↗
23: 10.1	↙
24: 10.0	→
25: 10.5x	↓
26: 8.7	→
27: 9.5	↑
28: 10.2x	↑
29: 9.9	↗
30: 10.6x	↙
<b>Series 96.0</b>	
<b>Total 289.0</b>	



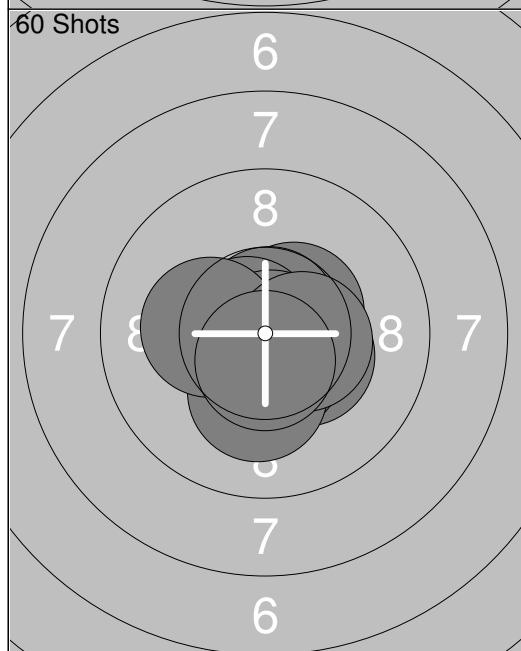
31: 9.8	↗
32: 10.5x	→
33: 10.0	↑
34: 10.0	↗
35: 10.9x	→
36: 10.1	→
37: 10.4x	→
38: 10.3x	↖
39: 10.8x	↖
40: 10.3x	↖
<b>Series 99.0</b>	
<b>Total 388.0</b>	



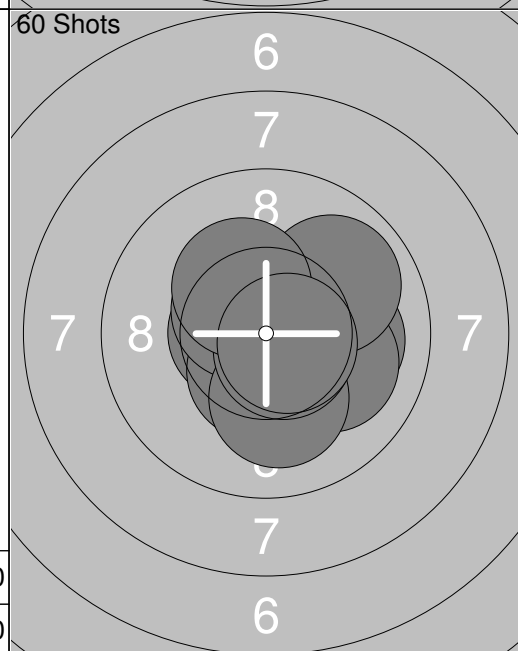
1:	10.2x	←
2:	10.3x	↘
3:	10.1	↘
4:	10.3x	↗
5:	10.5x	←
6:	9.6	←
7:	10.3x	↘
8:	10.7x	↘
9:	9.6	←
10:	10.6x	↖
Series		98.0
Total		0.0



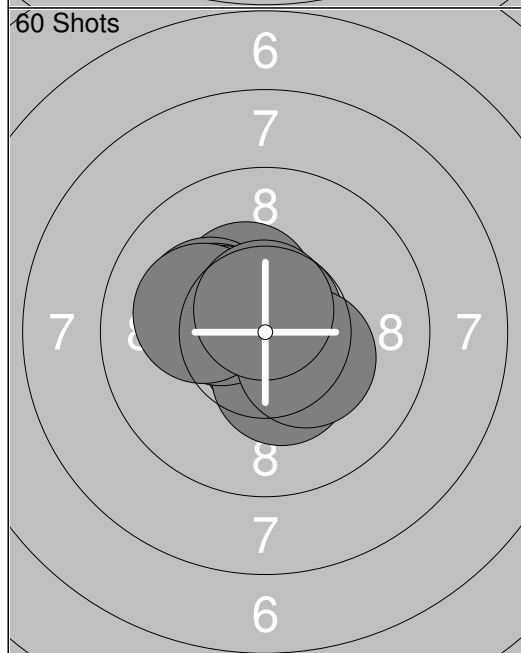
11:	9.2	←
12:	10.3x	↗
13:	10.8x	↘
14:	10.7x	↘
15:	10.2x	↘
Series		49.0
Total		0.0



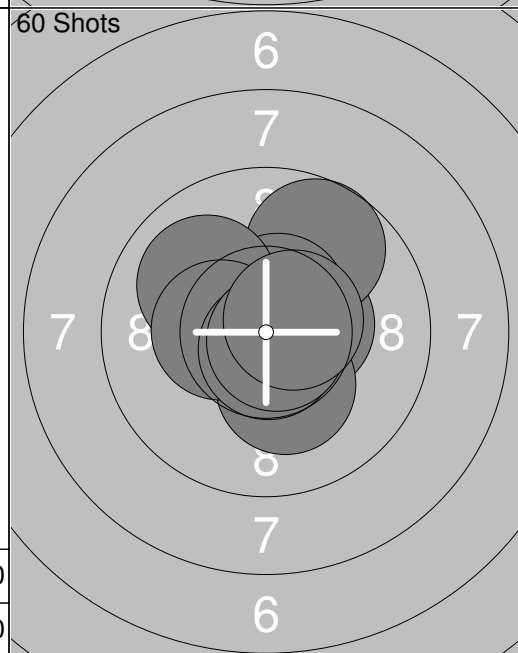
1:	10.5x	↗
2:	10.4x	↘
3:	10.7x	↑
4:	10.5x	↘
5:	10.7x	←
6:	10.2x	↘
7:	10.8x	↘
8:	10.2x	←
9:	10.5x	→
10:	10.6x	↘
Series		100.0
Total		100.0



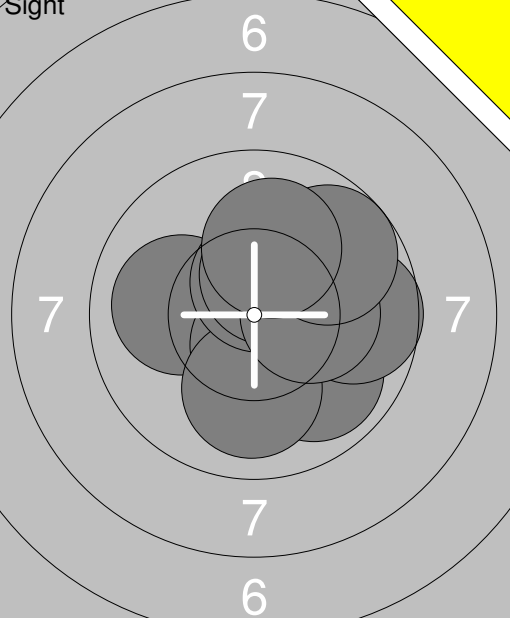
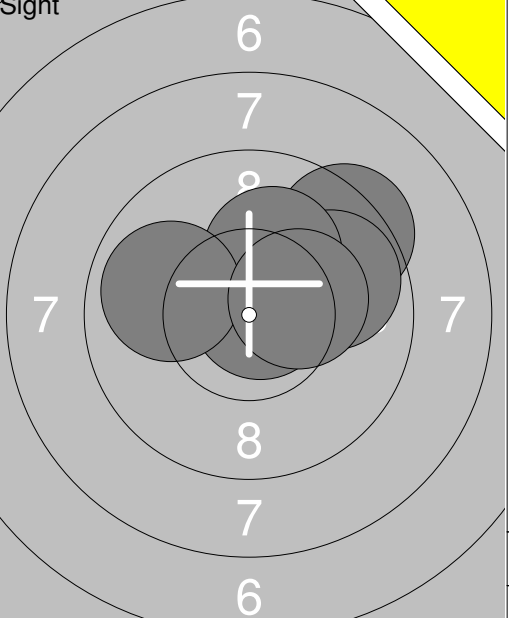
11:	10.6x	←
12:	10.1	→
13:	10.1	↘
14:	10.5x	↘
15:	10.5x	↖
16:	10.1	↘
17:	9.9	↗
18:	10.6x	↘
19:	10.3x	↗
20:	10.6x	↘
Series		99.0
Total		199.0

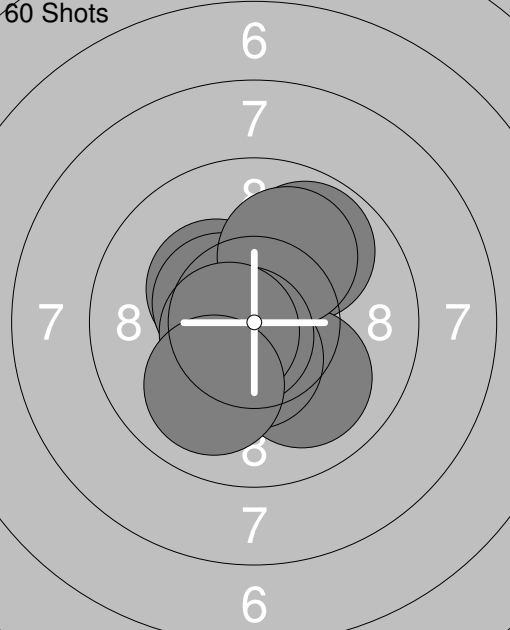
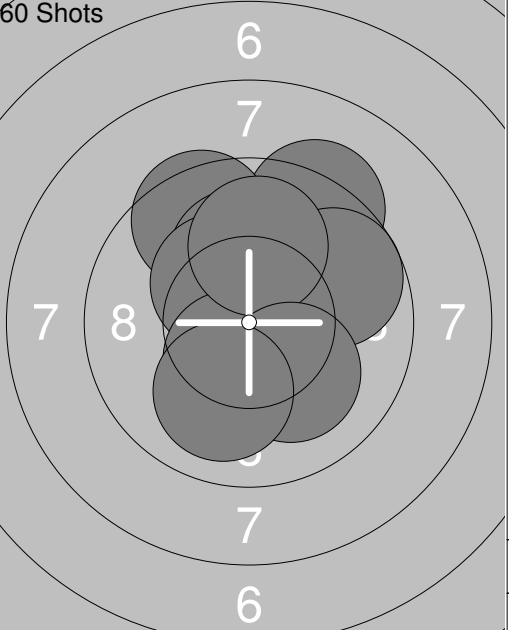


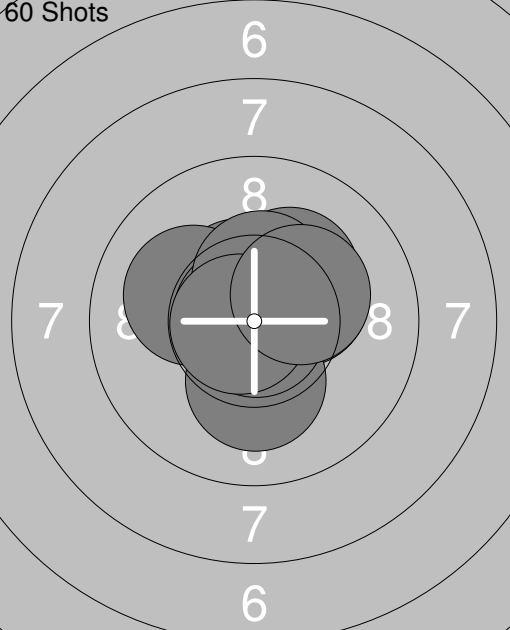
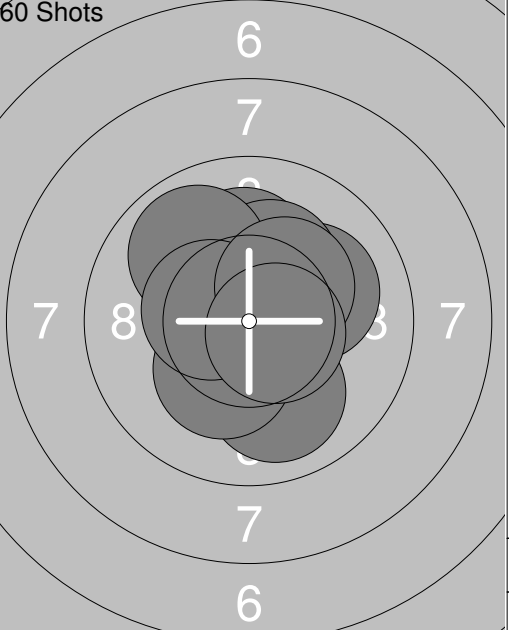
21:	10.4x	↗
22:	10.2x	←
23:	10.7x	↘
24:	10.3x	←
25:	10.4x	↘
26:	10.7x	↗
27:	10.4x	←
28:	10.3x	↘
29:	10.1	←
30:	10.7x	↑
Series		100.0
Total		299.0



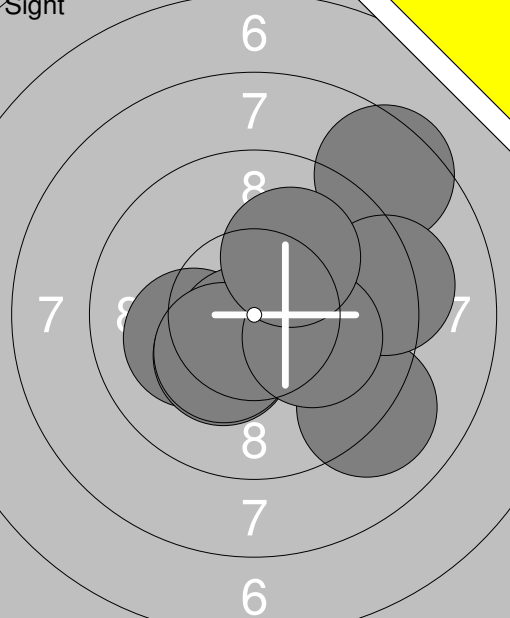
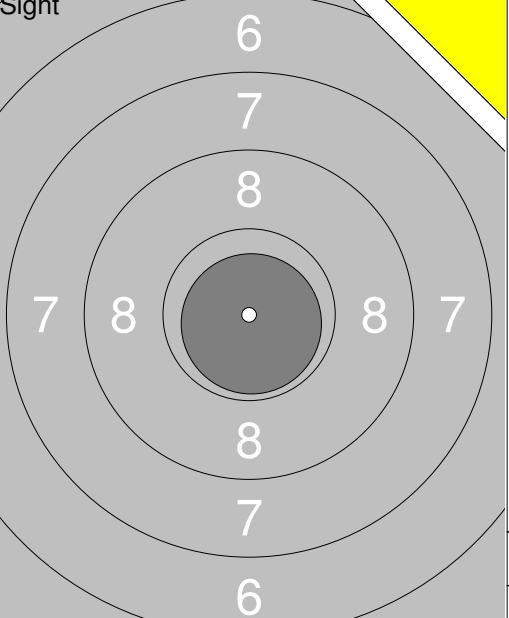
31:	10.6x	↑
32:	10.5x	→
33:	10.2x	↘
34:	9.7	↗
35:	10.6x	↑
36:	10.0	←
37:	10.4x	←
38:	10.7x	↘
39:	10.8x	↘
40:	10.6x	→
Series		99.0
Total		398.0

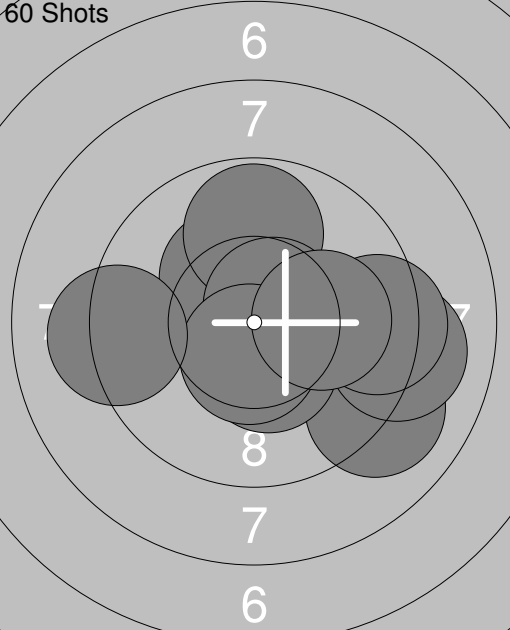
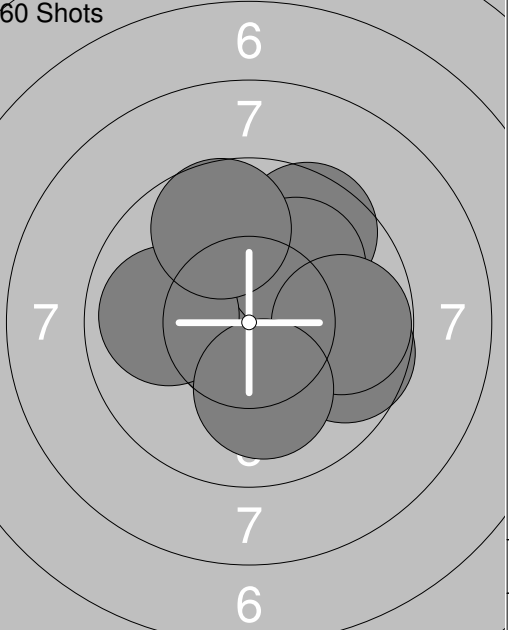
<p><b>Sight</b></p> 	<p>1: 10.0 ← 2: 10.6x ↓ 3: 9.9 ↘ 4: 10.0 ↓ 5: 9.7 → 6: 10.5x ↑ 7: 10.4x ↑ 8: 10.2x → 9: 9.7 ↗ 10: 10.1 ↑</p> <p>Series 97.0 Total 0.0</p>	<p><b>Sight</b></p> 	<p>11: 9.4 ↗ 12: 9.8 → 13: 10.8x → 14: 10.1 ↑ 15: 9.9 ← 16: 10.3x →</p> <p>Series 57.0 Total 0.0</p>
--	---	--	--

<p><b>60 Shots</b></p> 	<p>1: 9.8 ↗ 2: 10.3x ↓ 3: 10.0 ↘ 4: 10.5x ↓ 5: 10.3x ↖ 6: 10.5x ↖ 7: 10.0 ↑ 8: 10.7x ↘ 9: 10.6x ← 10: 10.0 ↓</p> <p>Series 99.0 Total 99.0</p>	<p><b>60 Shots</b></p> 	<p>11: 9.3 ↗ 12: 10.3x ↓ 13: 9.7 → 14: 9.5 ↖ 15: 10.1 ↑ 16: 10.3x ↖ 17: 10.4x ↓ 18: 10.0 ↑ 19: 10.1 ↘ 20: 10.0 ↓</p> <p>Series 97.0 Total 196.0</p>
--	--	--	---

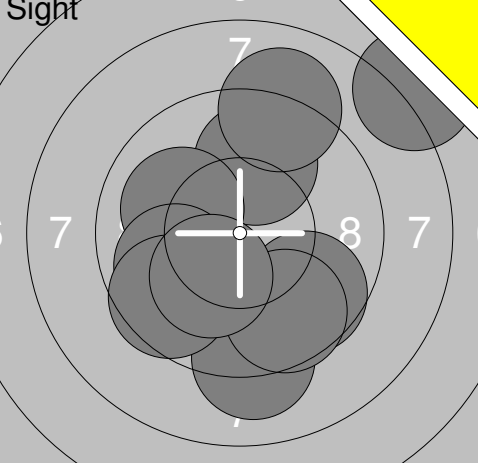
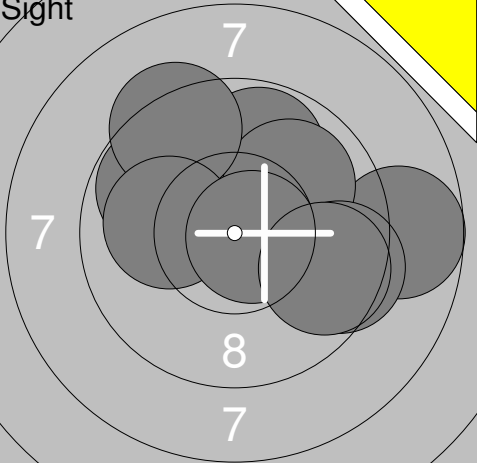
<p><b>60 Shots</b></p> 	<p>21: 10.3x → 22: 10.5x ↑ 23: 10.2x ↓ 24: 10.1 ← 25: 10.8x ↖ 26: 10.2x ↗ 27: 10.4x ↑ 28: 10.9x ↓ 29: 10.8x ← 30: 10.3x →</p> <p>Series 100.0 Total 296.0</p>	<p><b>60 Shots</b></p> 	<p>31: 10.7x → 32: 10.1 ↑ 33: 10.1 → 34: 10.2x ↑ 35: 10.0 ↓ 36: 9.9 ↖ 37: 10.3x ↓ 38: 10.4x ↖ 39: 10.3x ↗ 40: 10.6x →</p> <p>Series 99.0 Total 395.0</p>
---	---	---	--

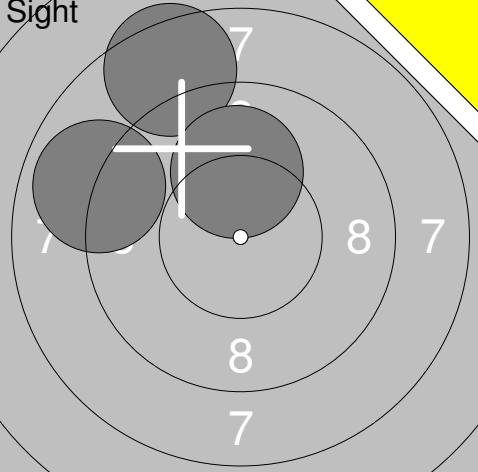
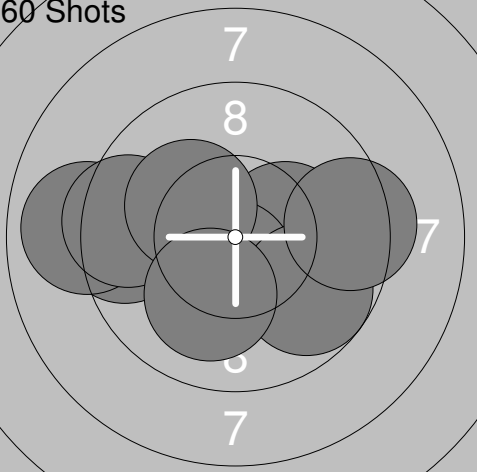


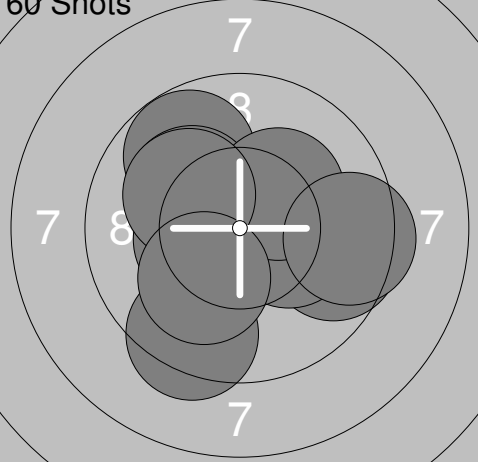
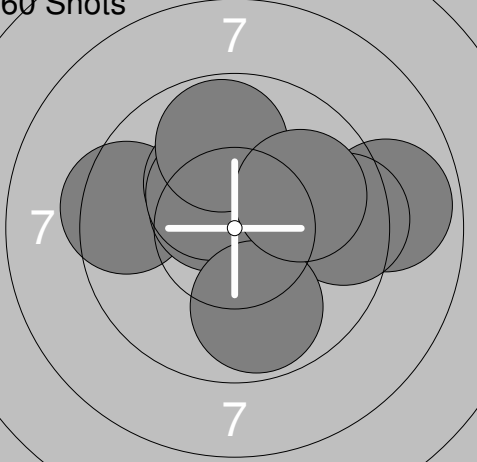
<p>Sight</p> 	<p>1: 10.1 ←</p> <p>2: 9.1 ↘</p> <p>3: 8.5 ↗</p> <p>4: 9.2 →</p> <p>5: 10.7x ↘</p> <p>6: 10.7x ↓</p> <p>7: 10.3x ↓</p> <p>8: 10.3x ↓</p> <p>9: 10.2x →</p> <p>10: 10.1 ↗</p>	<p>Sight</p>  <p>11: 10.8x ↓</p>
Series 96.0		Series 10.0
Total 0.0		Total 0.0

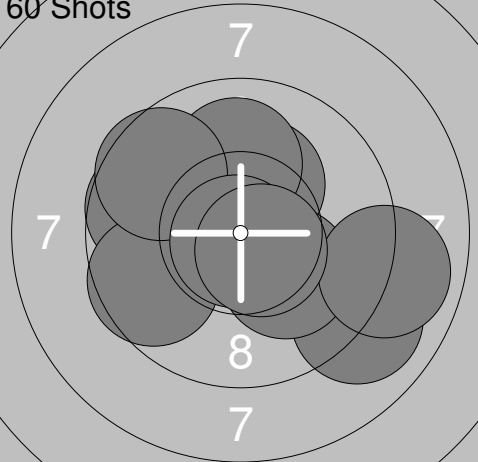
<p>60 Shots</p> 	<p>1: 10.3x ↗</p> <p>2: 9.1 ↘</p> <p>3: 9.1 →</p> <p>4: 9.4 →</p> <p>5: 9.8 ↑</p> <p>6: 10.4x ↓</p> <p>7: 10.6x ↗</p> <p>8: 10.5x ↓</p> <p>9: 9.2 ←</p> <p>10: 10.1 →</p>	<p>60 Shots</p>  <p>11: 10.7x ↓</p> <p>12: 9.6 ↗</p> <p>13: 10.8x ↓</p> <p>14: 9.7 →</p> <p>15: 10.7x →</p> <p>16: 10.0 ↗</p> <p>17: 9.9 ←</p> <p>18: 9.7 ↑</p> <p>19: 9.8 →</p> <p>20: 10.1 ↓</p>
Series 95.0		Series 95.0
Total 95.0		Total 190.0

<p>60 Shots</p> 	<p>21: 9.4 →</p> <p>22: 9.7 ↗</p> <p>23: 8.5 ↘</p> <p>24: 10.4x ↑</p> <p>25: 9.4 →</p> <p>26: 9.1 ←</p> <p>27: 9.6 →</p> <p>28: 9.6 ↓</p> <p>29: 10.1 ←</p> <p>30: 10.5x ↓</p>	<p>60 Shots</p>  <p>31: 9.4 ←</p> <p>32: 10.5x ↖</p> <p>33: 10.3x ↗</p> <p>34: 9.8 ←</p> <p>35: 10.2x →</p> <p>36: 9.3 ←</p> <p>37: 9.8 ↓</p> <p>38: 9.8 ←</p> <p>39: 10.2x →</p> <p>40: 10.2x ↗</p>
Series 92.0		Series 95.0
Total 282.0		Total 377.0

<b>Sight</b> 	1: 9.9 ↑ 2: 9.1 ↑ 3: 7.7 ↗ 4: 10.0 ↖ 5: 9.1 ↓ 6: 9.9 ↖ 7: 9.7 ↘ 8: 9.6 ↘ 9: 9.6 ↘ 10: 10.2x ↘ <hr/> <b>Series</b> 90.0 <b>Total</b> 0.0	<b>Sight</b> 	11: 10.0 ↗ 12: 9.8 ↑ 13: 8.7 → 14: 9.8 ↖ 15: 10.0 ↗ 16: 9.3 ↗ 17: 9.5 ↘ 18: 10.1 ← 19: 10.7x → 20: 9.6 → <hr/> <b>Series</b> 93.0 <b>Total</b> 0.0
--	--	--	---

<b>Sight</b> 	21: 8.5 ↑ 22: 8.9 ↖ 23: 10.1 ↑ <hr/> <b>Series</b> 26.0 <b>Total</b> 0.0	<b>60 Shots</b> 	1: 9.5 ← 2: 10.5x ↓ 3: 8.9 ← 4: 10.3x → 5: 10.6x ↓ 6: 9.8 ↘ 7: 9.4 → 8: 9.5 ← 9: 10.2x ↗ 10: 10.1 ↓ <hr/> <b>Series</b> 94.0 <b>Total</b> 94.0
---	--	--	---

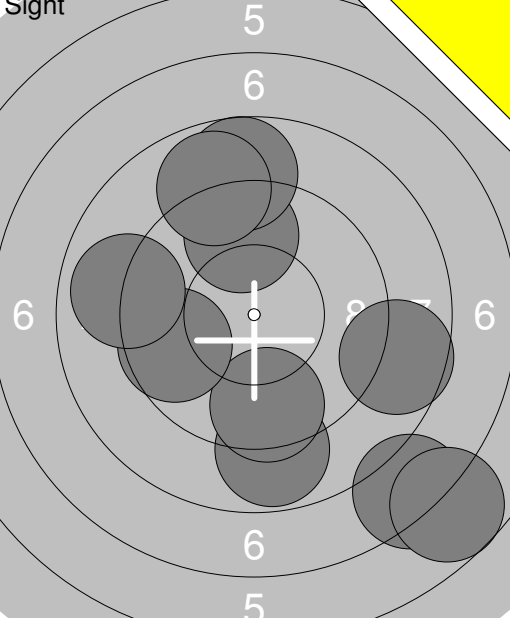
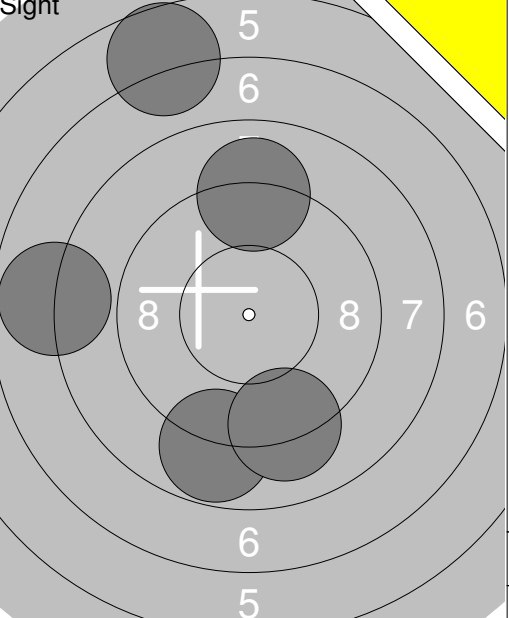
<b>60 Shots</b> 	11: 9.8 ↗ 12: 10.1 ↗ 13: 9.4 ↘ 14: 10.4x ← 15: 9.6 → 16: 10.3x → 17: 10.3x ↗ 18: 10.1 ↗ 19: 9.5 → 20: 10.1 ↘ <hr/> <b>Series</b> 96.0 <b>Total</b> 190.0	<b>60 Shots</b> 	21: 8.9 → 22: 9.5 ← 23: 10.5x ↗ 24: 10.3x ↑ 25: 9.5 → 26: 10.3x ↗ 27: 10.4x ↗ 28: 9.8 ↑ 29: 9.8 ↓ 30: 10.0 → <hr/> <b>Series</b> 94.0 <b>Total</b> 284.0
---	---	---	---

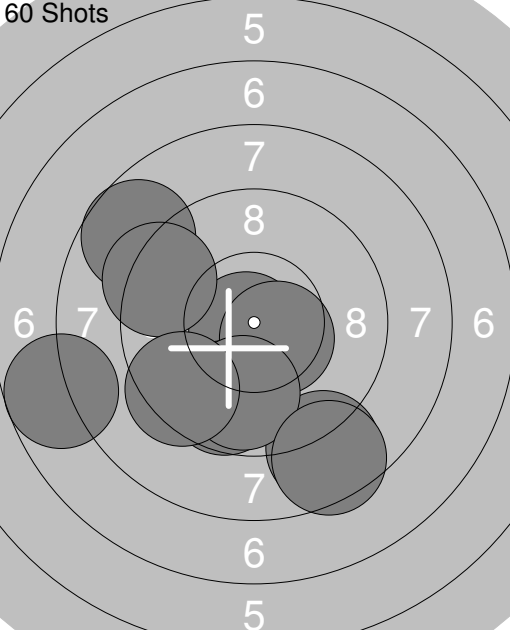
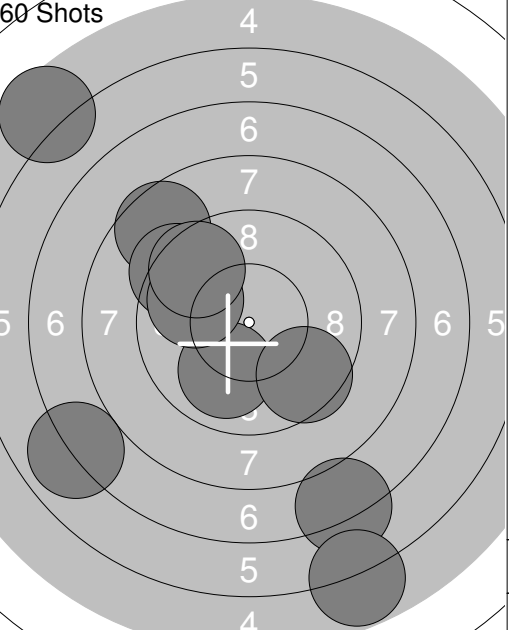
<b>60 Shots</b> 	31: 9.7 ← 32: 9.6 ← 33: 10.3x ↑ 34: 10.0 ↑ 35: 9.6 ↗ 36: 9.0 ↘ 37: 10.1 ↘ 38: 8.9 → 39: 10.8x ↘ 40: 10.6x ↘ <hr/> <b>Series</b> 94.0 <b>Total</b> 378.0		
---	--	--	--

<p><b>Sight</b></p>	<p>1: 6.5 →</p> <p>2: 10.1 →</p> <p>3: 8.8 ↓</p> <p>4: 6.5 ↓</p> <p>5: 8.7 ←</p> <p>6: 9.3 →</p> <p>7: 8.1 ↓</p> <p>8: 9.4 ↓</p> <p>9: 8.8 ←</p> <p>10: 9.9 ↙</p>	<p><b>Sight</b></p>	<p>11: 9.7 →</p> <p>12: 10.5x →</p> <p>13: 9.1 ↓</p>
Series 81.0		Series 28.0	
Total 0.0		Total 0.0	

<p><b>60 Shots</b></p>	<p>1: 9.5 →</p> <p>2: 7.8 ↓</p> <p>3: 9.9 ↗</p> <p>4: 8.8 ↗</p> <p>5: 9.1 ↓</p> <p>6: 9.9 ↓</p> <p>7: 10.5x →</p> <p>8: 9.4 ↑</p> <p>9: 9.4 ↓</p> <p>10: 9.9 ↓</p>	<p><b>60 Shots</b></p>	<p>11: 10.5x ↓</p> <p>12: 9.6 ↓</p> <p>13: 10.3x ↗</p> <p>14: 10.6x ↙</p> <p>15: 9.5 ↗</p> <p>16: 8.1 ↑</p> <p>17: 9.8 ←</p> <p>18: 8.3 ←</p> <p>19: 8.5 ←</p> <p>20: 9.3 →</p>
Series 88.0		Series 90.0	
Total 88.0		Total 178.0	

<p><b>60 Shots</b></p>	<p>21: 8.4 ↓</p> <p>22: 8.7 ↗</p> <p>23: 10.1 ↓</p> <p>24: 9.2 ↗</p> <p>25: 9.7 ↗</p> <p>26: 9.9 ↓</p> <p>27: 9.9 ↓</p> <p>28: 8.4 ↓</p> <p>29: 10.4x →</p> <p>30: 10.8x ↗</p>	<p><b>60 Shots</b></p>	<p>31: 8.7 ↓</p> <p>32: 9.6 ↑</p> <p>33: 7.9 →</p> <p>34: 9.5 ↓</p> <p>35: 7.4 ↗</p> <p>36: 9.1 ↑</p> <p>37: 8.1 →</p> <p>38: 9.6 ↑</p> <p>39: 9.9 ↓</p> <p>40: 9.3 ↑</p>
Series 90.0		Series 84.0	
Total 268.0		Total 352.0	

Sight		Sight	
	1: 7.3 ↘ 2: 8.8 ↓ 3: 9.5 ↓ 4: 9.7 ↑ 5: 9.6 ← 6: 6.7 ↘ 7: 8.7 ↑ 8: 8.9 ← 9: 8.9 ↑ 10: 8.6 →		
Series	80.0	Series	39.0
Total	0.0	Total	0.0

60 Shots		60 Shots	
	1: 10.8x ↙ 2: 8.7 ↗ 3: 9.3 ↗ 4: 10.5x → 5: 9.7 ↓ 6: 8.7 ↓ 7: 9.8 ↓ 8: 8.5 ↓ 9: 7.7 ← 10: 9.4 ↙		
Series	87.0	Series	77.0
Total	87.0	Total	164.0

60 Shots		60 Shots	
	21: 10.3x ↓ 22: 9.8 ↗ 23: 8.1 ↓ 24: 5.7 ↗ 25: 6.0 ← 26: 6.9 → 27: 7.6 ↗ 28: 8.5 ↗ 29: 9.9 ↓ 30: 9.4 ↓		
Series	77.0	Series	84.0
Total	241.0	Total	325.0