
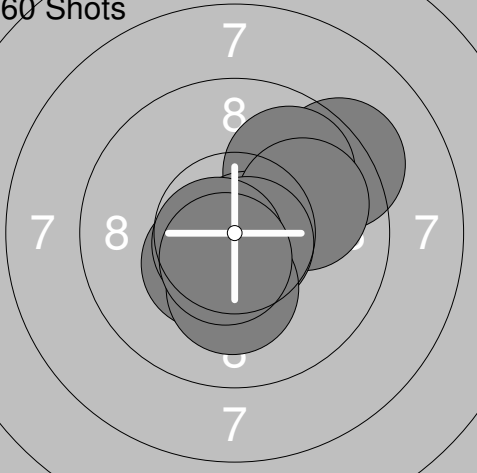
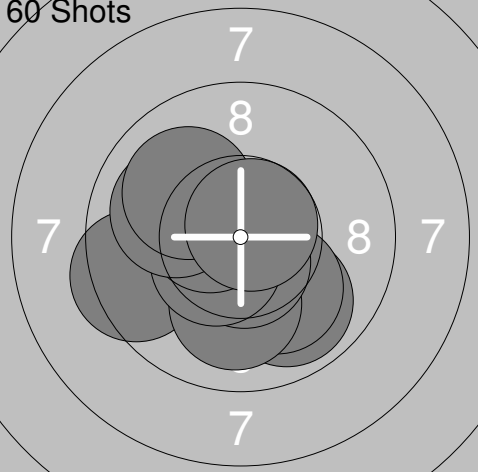

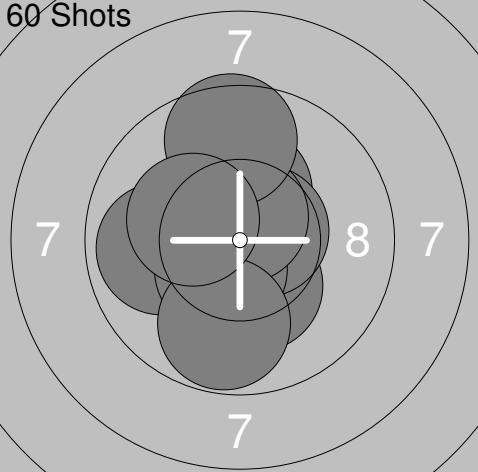
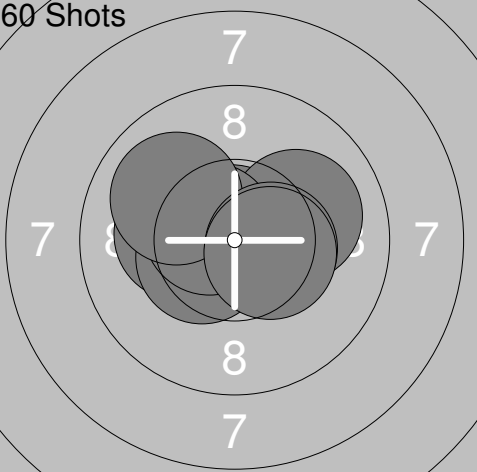
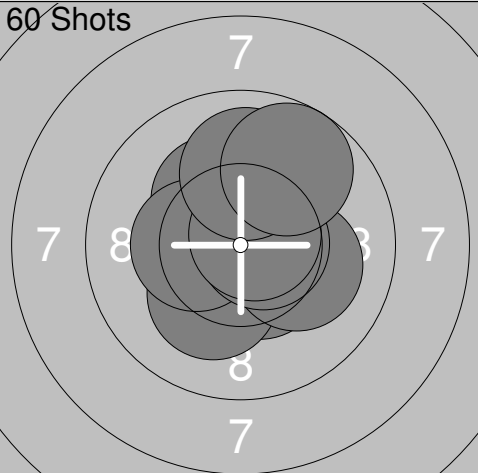
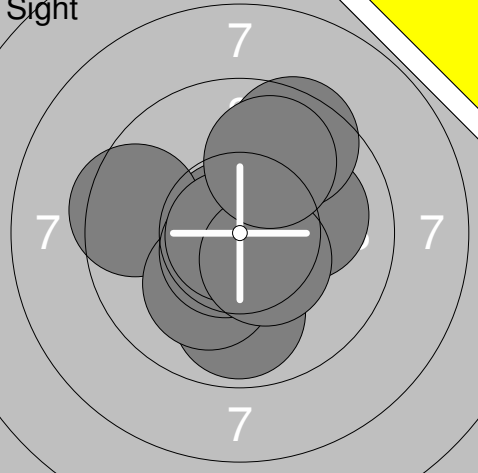
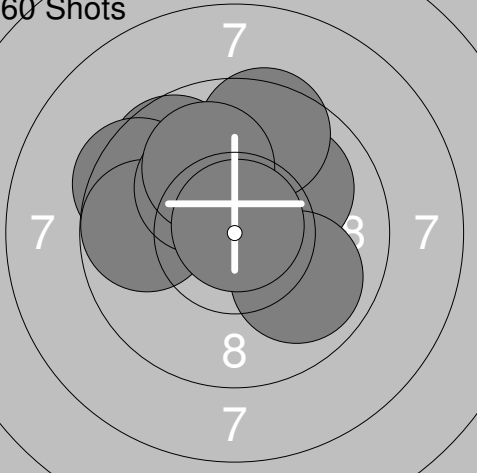
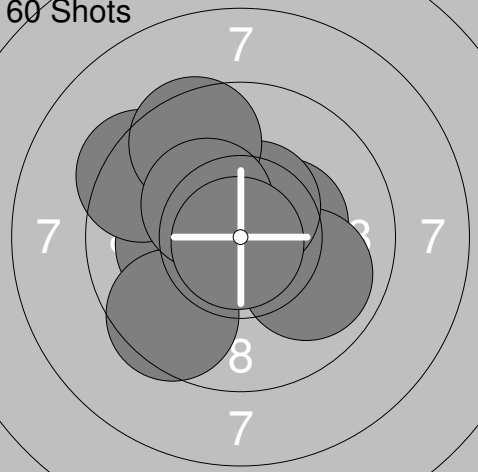
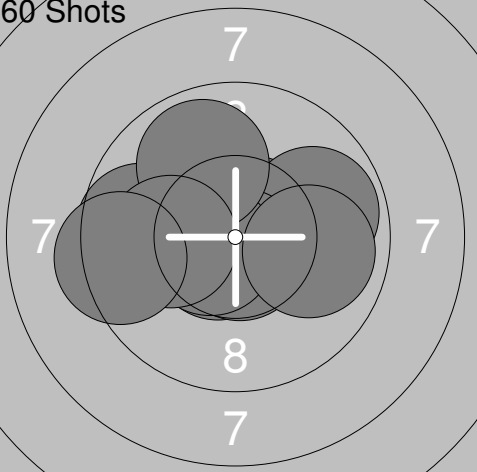
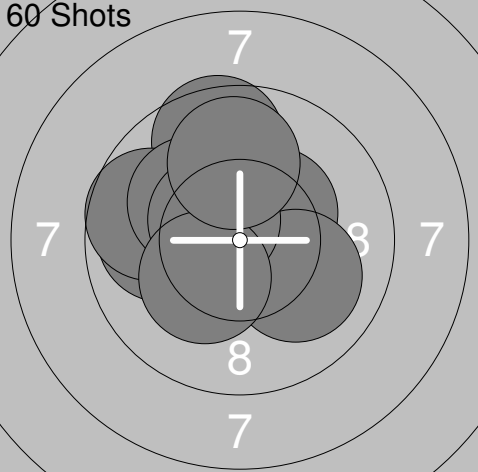
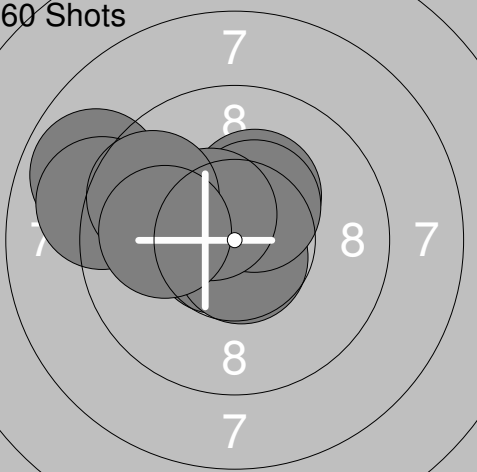
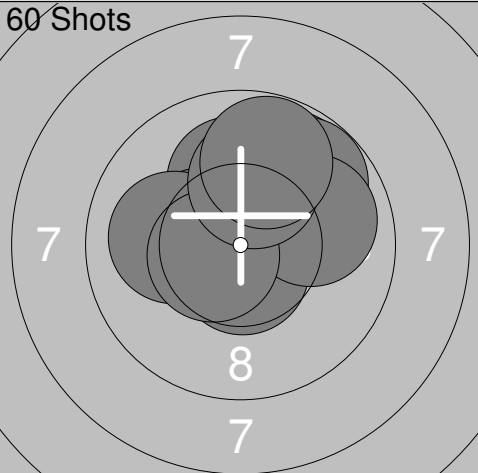
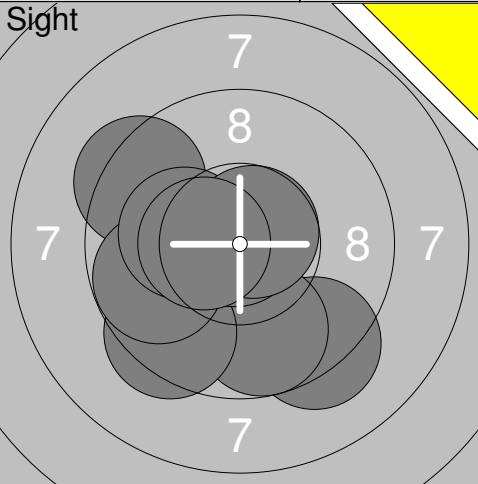
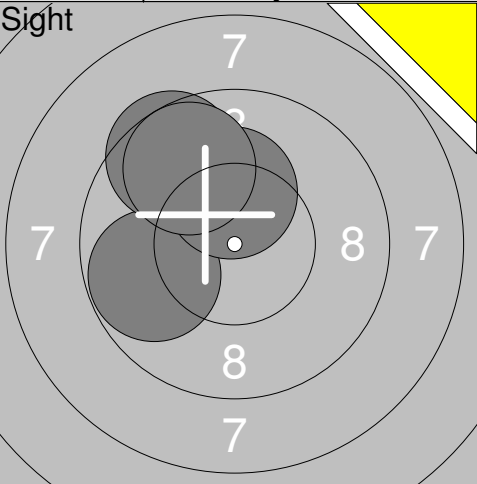
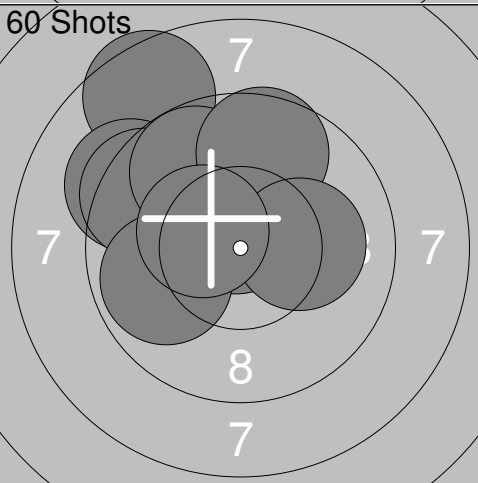
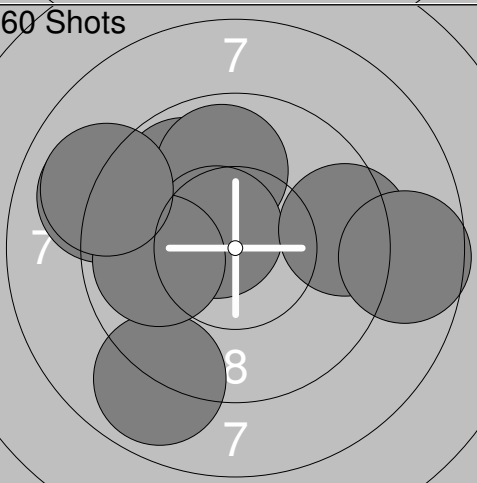
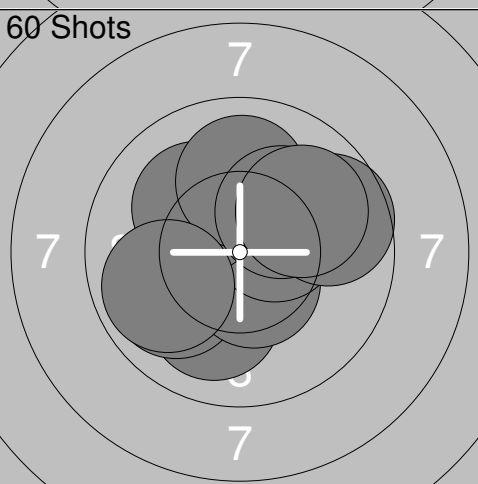
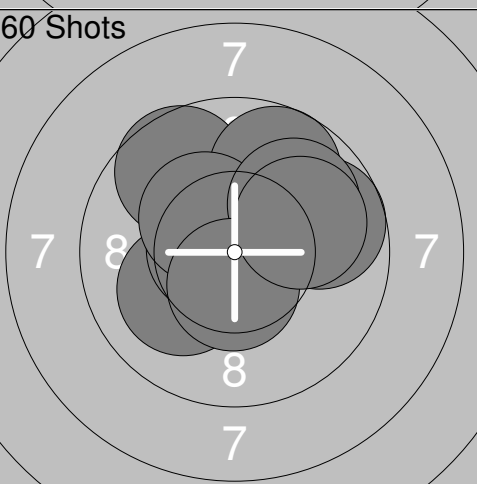
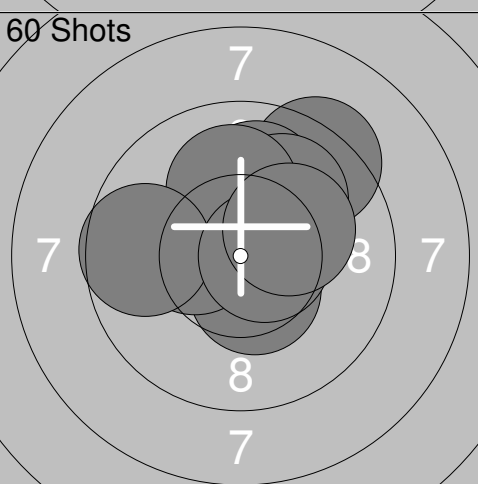
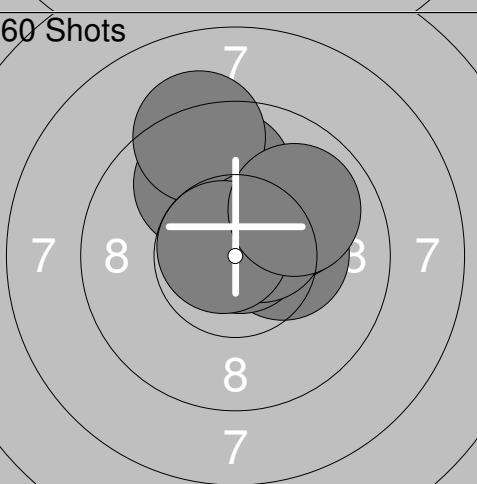
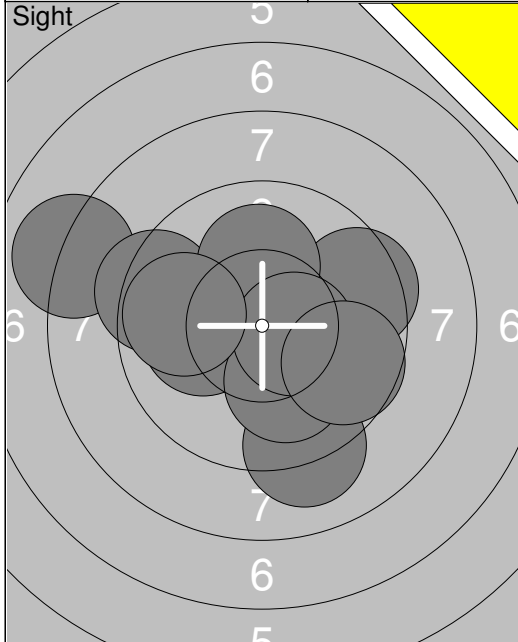


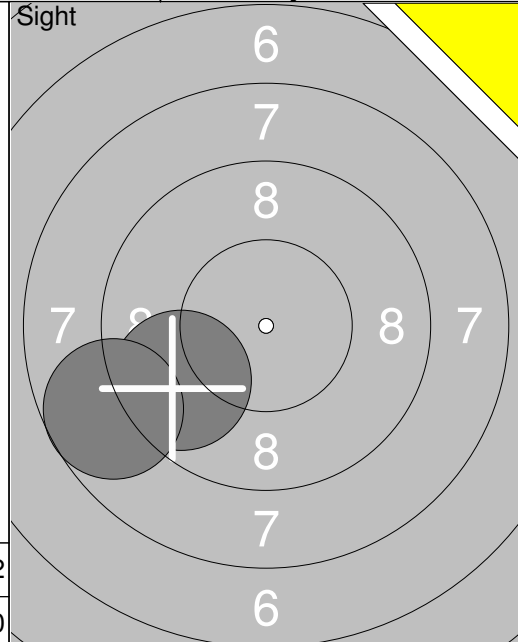
Relay	Lane	Jörgen Persson	
1	2		
S	Fältjägarnas Skytteförening		
31.10.2015	Nationellt Mästerskap 2015		Umeå skytteallians
Sight		1: 9.6 ↓ 2: 9.8 ↓ 3: 10.2x ↓ 4: 10.1 ↙ 5: 10.5x ↓ 6: 10.4x ↙ 7: 9.9 → 8: 10.8x ↗ 9: 10.5x ↖ 10: 10.6x ↓ Series 102.4 Total 0.0	60 Shots  1: 9.3 ↗ 2: 9.8 ↗ 3: 10.4x ↙ 4: 10.6x ↓ 5: 10.7x → 6: 9.9 ↗ 7: 10.7x ↘ 8: 10.2x ↓ 9: 10.7x ↖ 10: 10.6x ↓ Series 102.9 Total 102.9
60 Shots		11: 9.9 ↓ 12: 9.4 ↖ 13: 10.1 ↓ 14: 10.1 ↓ 15: 10.6x ↓ 16: 10.5x ↖ 17: 10.5x ↖ 18: 10.0 ↖ 19: 10.0 ↗ 20: 10.7x ↗ Series 101.8 Total 204.7	60 Shots  21: 10.7x ↓ 22: 10.4x ↖ 23: 10.4x ↗ 24: 10.0 → 25: 10.8x ↓ 26: 10.0 ↑ 27: 10.1 ↗ 28: 10.4x ↓ 29: 10.2x → 30: 10.6x ↓ Series 103.6 Total 308.3
60 Shots		31: 10.4x ↑ 32: 10.3x ↑ 33: 10.3x ↓ 34: 10.6x ↗ 35: 9.9 ↖ 36: 10.5x ↓ 37: 10.6x ↑ 38: 9.6 ↑ 39: 9.8 ↓ 40: 10.3x ↖ Series 102.3 Total 410.6	60 Shots  41: 10.8x ↑ 42: 10.8x ↖ 43: 10.6x ↖ 44: 10.2x ↖ 45: 10.1 ↗ 46: 10.5x ↖ 47: 10.6x ↖ 48: 10.0 ↗ 49: 10.4x → 50: 10.4x → Series 104.4 Total 515.0
60 Shots		51: 10.5x ↓ 52: 10.7x ↓ 53: 10.2x ↓ 54: 10.1 → 55: 10.3x ↗ 56: 10.4x ↖ 57: 10.6x → 58: 10.7x ↗ 59: 10.0 ↑ 60: 9.7 ↗ Series 103.2 Total 618.2	

Relay	Lane	Jörgen Pålsson	
1	3		
S	Umeå Skytteförening		
31.10.2015	Nationellt Mästerskap 2015		Umeå skytteallians
Sight		1: 9.9 ↓ 2: 10.8x ↗ 3: 10.1 → 4: 9.5 ← 5: 10.1 ↓ 6: 9.5 ↗ 7: 10.6x ↓ 8: 10.8x ← 9: 10.4x ↘ 10: 9.9 ↗ Series 101.6 Total 0.0	60 Shots  1: 10.0 ↗ 2: 9.7 ↗ 3: 10.2x ↗ 4: 9.5 ← 5: 9.9 ↘ 6: 9.8 ← 7: 9.5 ↗ 8: 10.2x ↗ 9: 10.0 ↗ 10: 10.8x ↗ Series 99.6 Total 99.6
60 Shots		11: 10.2x ← 12: 10.4x → 13: 10.8x ← 14: 9.4 ↖ 15: 9.9 ↘ 16: 9.5 ↓ 17: 10.5x ↗ 18: 9.5 ↗ 19: 10.3x ↗ 20: 10.9x ↓ Series 101.4 Total 201.0	60 Shots  21: 10.6x ↘ 22: 10.7x ↗ 23: 9.9 → 24: 9.7 ← 25: 10.7x ↓ 26: 10.6x ← 27: 9.9 ↗ 28: 9.9 → 29: 10.1 ← 30: 9.4 ← Series 101.5 Total 302.5
60 Shots		31: 10.4x ↗ 32: 10.1 ↗ 33: 9.6 ↗ 34: 9.9 ← 35: 9.7 ← 36: 10.1 ↗ 37: 10.1 ↘ 38: 10.5x ↗ 39: 10.3x ↘ 40: 9.9 ↗ Series 100.6 Total 403.1	60 Shots  41: 10.7x ← 42: 10.3x ↗ 43: 8.9 ← 44: 10.7x ↓ 45: 10.0 ← 46: 10.4x ↗ 47: 9.1 ← 48: 10.5x ↗ 49: 9.7 ↖ 50: 10.0 ← Series 100.3 Total 503.4
60 Shots		51: 9.8 ↗ 52: 10.1 ↗ 53: 10.6x ↓ 54: 9.8 ↗ 55: 10.4x ← 56: 9.9 → 57: 10.1 ← 58: 10.6x ← 59: 10.1 ↗ 60: 9.8 ↗ Series 101.2 Total 604.6	

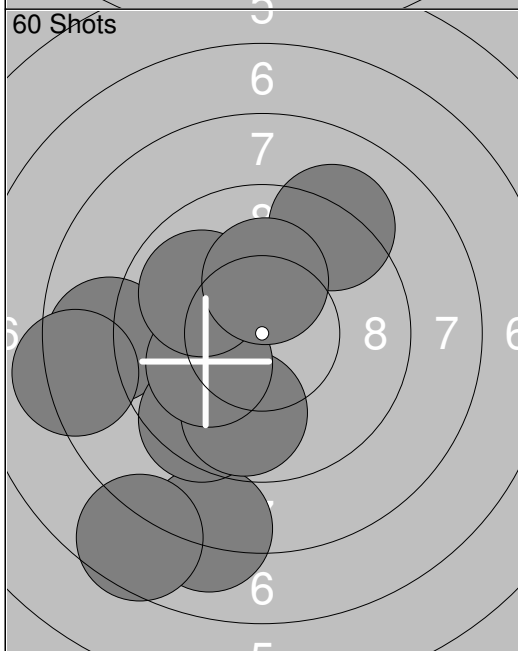
Relay	Lane	Roger Andersson	
S		Gällivare Skytteförening	
31.10.2015		Nationellt Mästerskap 2015	Umeå skytteallians
Sight		1: 10.3x ← 2: 9.3 ↓ 3: 9.4 ↗ 4: 9.8 ↓ 5: 9.4 ↓ 6: 10.9x ↗ 7: 9.8 ← 8: 10.2x ← 9: 10.7x ↗ 10: 10.5x ← Series 100.3 Total 0.0	Sight  11: 9.8 ← 12: 10.3x ↑ 13: 9.5 ↗ 14: 9.8 ↗ Series 39.4 Total 0.0
60 Shots		1: 8.6 ↗ 2: 10.7x ↑ 3: 9.2 ↗ 4: 9.5 ↗ 5: 9.9 ← 6: 10.5x ↑ 7: 9.8 ↗ 8: 9.6 ↑ 9: 10.2x → 10: 10.4x ← Series 98.4 Total 98.4	60 Shots  11: 9.8 ↗ 12: 10.4x ↗ 13: 9.0 ← 14: 9.9 ↑ 15: 8.9 ↓ 16: 10.6x ↗ 17: 9.9 ← 18: 9.5 → 19: 8.7 → 20: 9.0 ← Series 95.7 Total 194.1
60 Shots		21: 10.0 ↓ 22: 9.9 ← 23: 10.5x ↓ 24: 10.4x → 25: 9.7 → 26: 10.1 ↗ 27: 10.0 ↑ 28: 9.9 ← 29: 10.2x ↗ 30: 9.9 ↗ Series 100.6 Total 294.7	60 Shots  31: 9.6 ↗ 32: 10.1 ← 33: 10.6x ↑ 34: 10.6x ← 35: 9.7 → 36: 9.7 ↑ 37: 10.3x ↗ 38: 9.9 ↗ 39: 10.5x ↓ 40: 10.0 → Series 101.0 Total 395.7
60 Shots		41: 9.3 ↗ 42: 10.0 ↑ 43: 10.5x ↓ 44: 10.7x ↗ 45: 10.0 ↗ 46: 10.3x ← 47: 10.1 ↑ 48: 9.7 ← 49: 10.6x → 50: 10.2x ↗ Series 101.4 Total 497.1	60 Shots  51: 10.3x → 52: 10.1 ↗ 53: 10.8x ↑ 54: 10.5x ↗ 55: 9.9 ↑ 56: 9.9 ↗ 57: 9.3 ↑ 58: 10.5x ↗ 59: 10.7x ↗ 60: 9.9 ↗ Series 101.9 Total 599.0



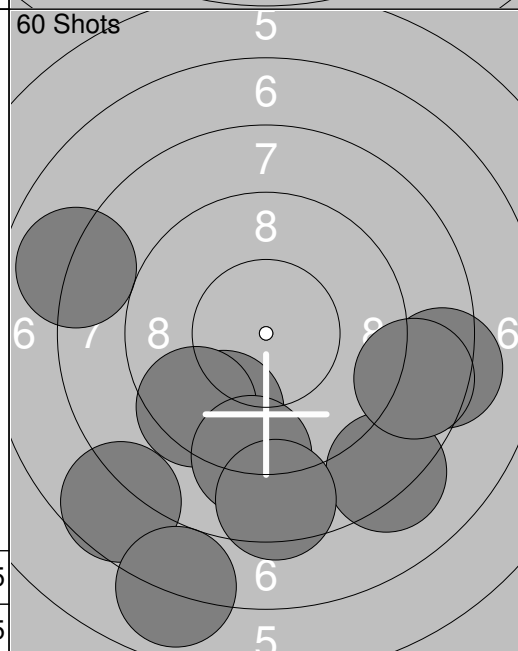
1:	9.1	↘
2:	8.0	↖
3:	10.1	←
4:	9.5	↗
5:	9.3	↖
6:	10.1	↑
7:	10.1	↓
8:	10.5x	→
9:	9.7	↗
10:	9.8	←
Series		96.2
Total		0.0



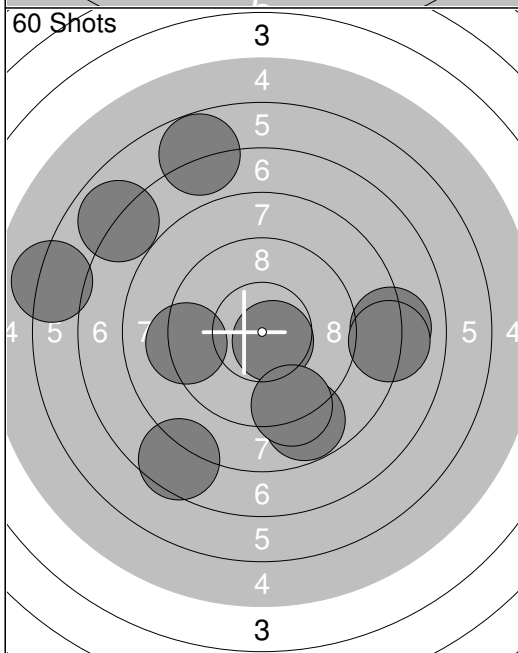
11:	9.7	↖
12:	8.7	↖
Series		18.4
Total		0.0



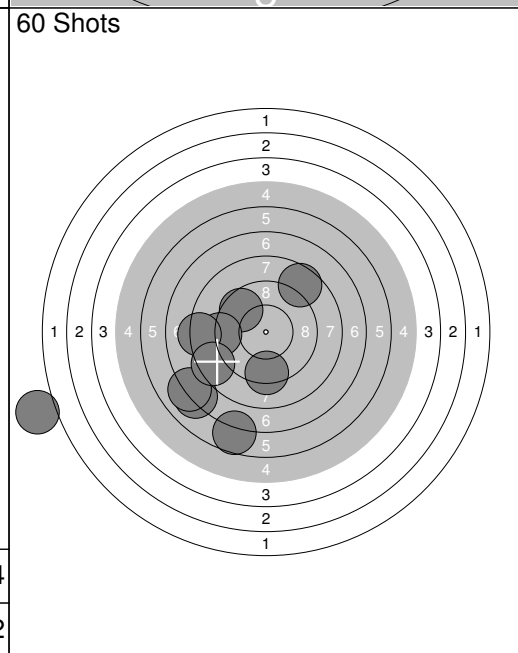
1:	8.8	←
2:	8.1	↓
3:	9.2	↗
4:	8.3	←
5:	9.5	↓
6:	9.8	↓
7:	7.6	↓
8:	10.1	←
9:	9.9	↖
10:	10.2x	↑
Series		91.5
Total		91.5



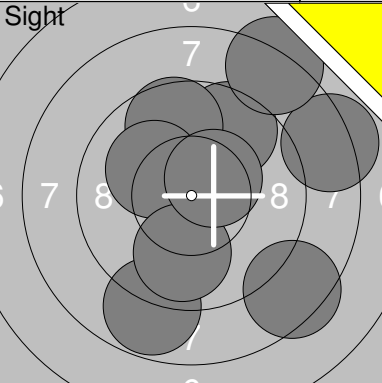
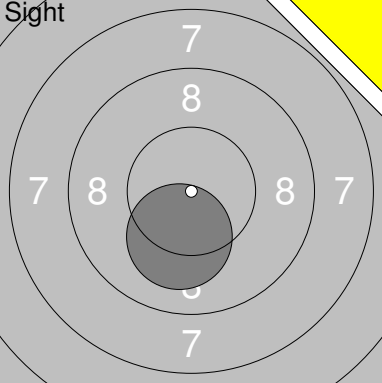
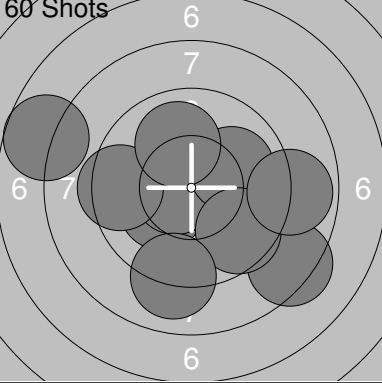
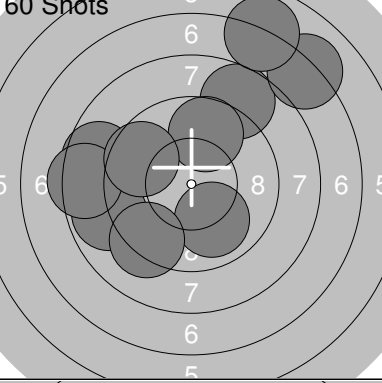
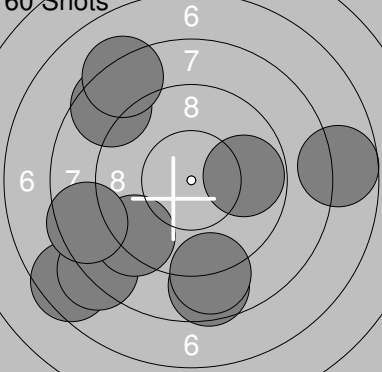
11:	7.6	↖
12:	8.3	→
13:	8.2	↘
14:	9.6	↓
15:	6.9	↓
16:	9.5	↖
17:	8.6	→
18:	8.0	↖
19:	9.1	↓
20:	8.5	↓
Series		84.3
Total		175.8

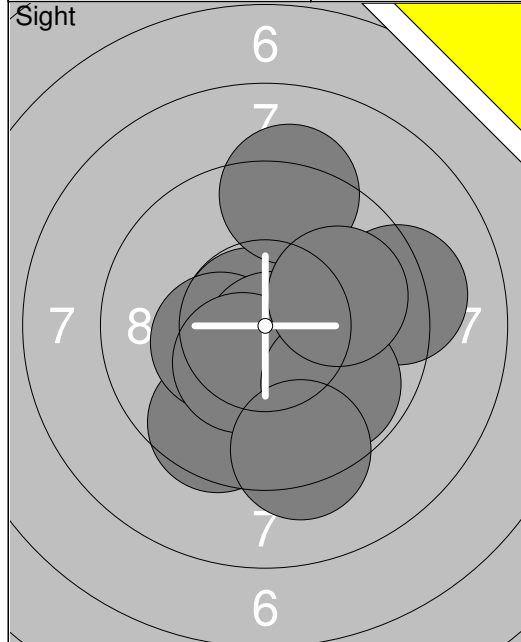


21:	9.2	←
22:	8.1	→
23:	6.1	←
24:	7.6	↘
25:	6.9	↗
26:	10.6x	↘
27:	6.8	↗
28:	8.8	↓
29:	9.2	↓
30:	8.1	→
Series		81.4
Total		257.2

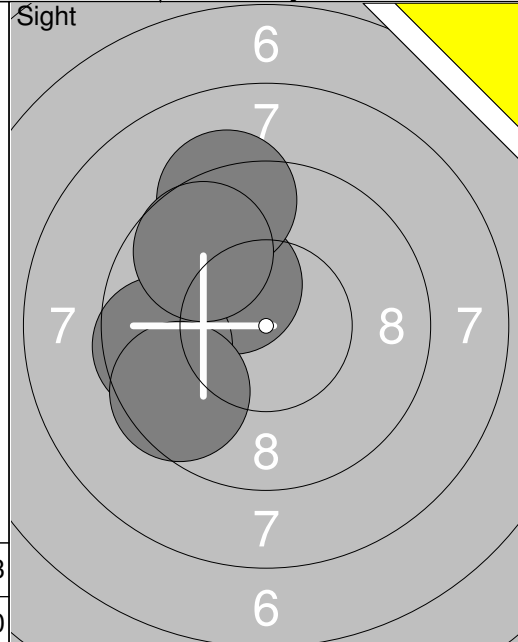


31:	9.3	↓
32:	9.6	↖
33:	8.6	↗
34:	7.1	↖
35:	9.1	←
36:	6.7	↓
37:	8.3	←
38:	7.1	↖
39:	8.5	↖
40:	1.1	↖
Series		75.4
Total		332.6

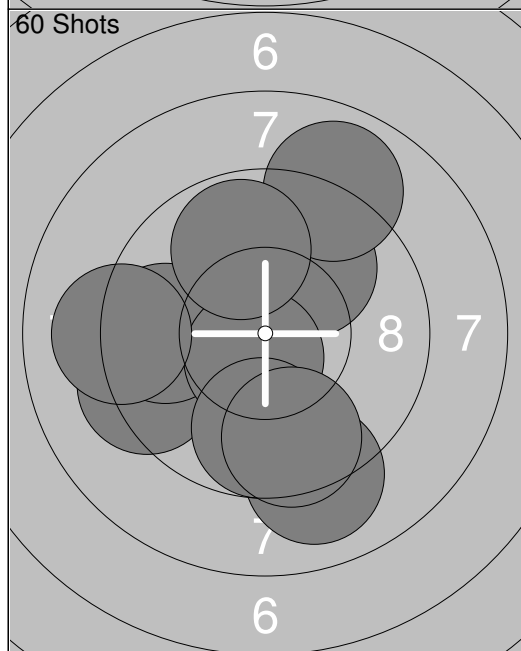
Relay	Lane	Carl Bergling	
S		Umeå Skytteförening	
31.10.2015		Nationellt Mästerskap 2015	Umeå skytteallians
Sight		1: 10.2x ↑ 2: 9.6 ↑ 3: 9.6 ↑ 4: 10.1 ↗ 5: 8.8 ↓ 6: 8.2 → 7: 9.9 ↓ 8: 8.4 ↓ 9: 8.1 ↑ 10: 10.4x ↗	Sight
		Series 93.3 Total 0.0	11: 10.0 → 12: 10.4x ← 13: 9.8 ↓ 14: 8.0 ↑ 15: 9.9 → 16: 8.4 ↑ 17: 10.8x ↑ 18: 7.4 → 19: 9.7 ← 20: 10.1 ←
Sight		21: 10.1 ↓	60 Shots
		Series 10.1 Total 0.0	1: 9.8 ↓ 2: 10.7x ↓ 3: 9.3 ↑ 4: 10.6x ↓ 5: 8.6 ↓ 6: 9.6 → 7: 7.9 → 8: 10.8x ↓ 9: 9.9 → 10: 10.3x ↓
60 Shots		11: 10.2x ← 12: 10.6x ← 13: 10.0 → 14: 7.7 ← 15: 9.5 ← 16: 8.3 ↓ 17: 9.6 ↓ 18: 10.0 ↑ 19: 9.0 ↓ 20: 8.9 →	60 Shots
		Series 93.8 Total 191.3	21: 9.4 ← 22: 7.6 ← 23: 8.9 ← 24: 8.4 ↑ 25: 9.8 → 26: 9.3 ← 27: 9.4 ↑ 28: 8.4 → 29: 8.5 ↓ 30: 6.6 ↓
60 Shots		31: 8.7 ↑ 32: 7.1 ↑ 33: 10.0 ↓ 34: 9.7 ↑ 35: 8.9 ← 36: 8.7 ← 37: 9.2 ↓ 38: 7.0 ↑ 39: 8.4 ← 40: 9.6 ↗	60 Shots
		Series 87.3 Total 364.9	41: 10.4x ↗ 42: 9.4 ← 43: 7.4 → 44: 8.5 ← 45: 9.7 ↑ 46: 9.0 ↓ 47: 8.6 ↗ 48: 9.5 → 49: 9.0 ↓ 50: 10.2x ↑
60 Shots		51: 7.5 ← 52: 8.6 ↓ 53: 9.8 → 54: 8.6 ↗ 55: 8.9 ↓ 56: 8.1 ↓ 57: 9.2 ↓ 58: 8.5 ← 59: 8.2 ↑ 60: 7.7 →	
		Series 85.1 Total 541.7	



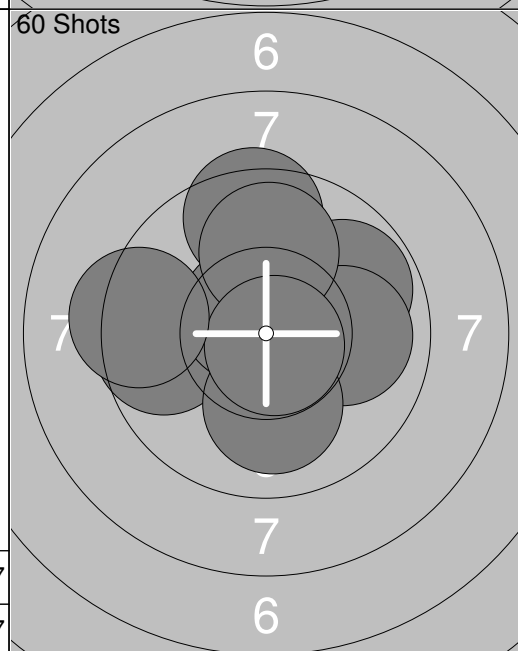
1:	10.8x ↖
2:	9.6 ↓
3:	10.3x ←
4:	10.7x ↓
5:	10.4x ↓
6:	9.2 →
7:	9.2 ↑
8:	9.8 ↘
9:	9.3 ↓
10:	10.0 ↗
Series	99.3
Total	0.0



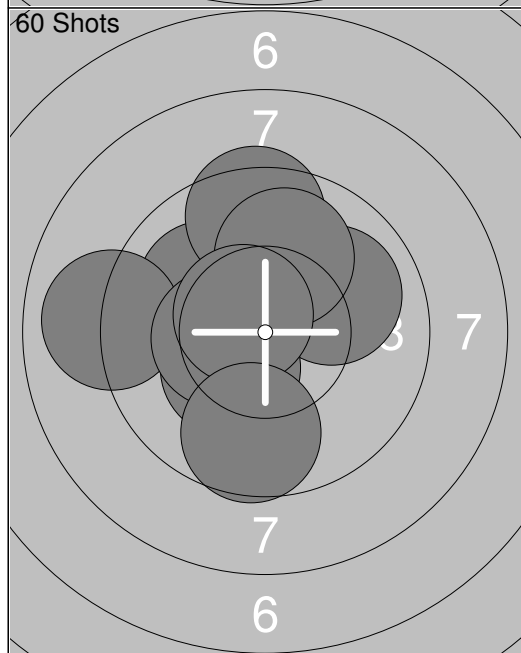
11:	10.3x ↖
12:	9.3 ↑
13:	9.6 ←
14:	9.6 ↙
15:	9.7 ↖
Series	48.5
Total	0.0



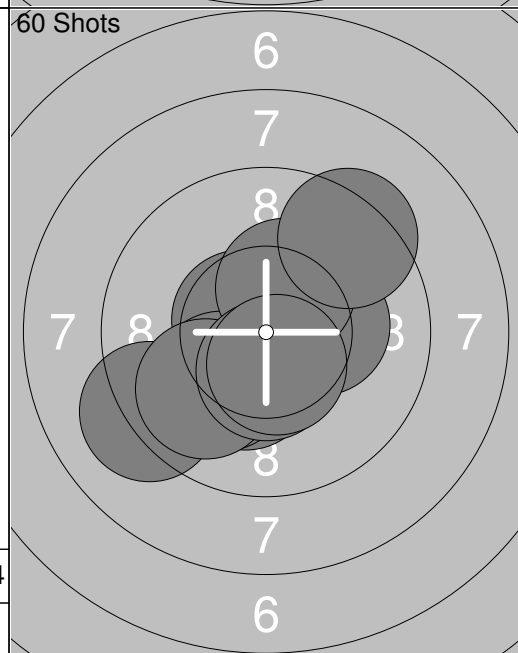
1:	10.0 ↗
2:	9.3 ←
3:	8.9 ↑
4:	9.7 ←
5:	10.6x ↓
6:	9.0 ↓
7:	9.1 ←
8:	9.7 ↓
9:	9.6 ↓
10:	9.8 ↑
Series	95.7
Total	95.7



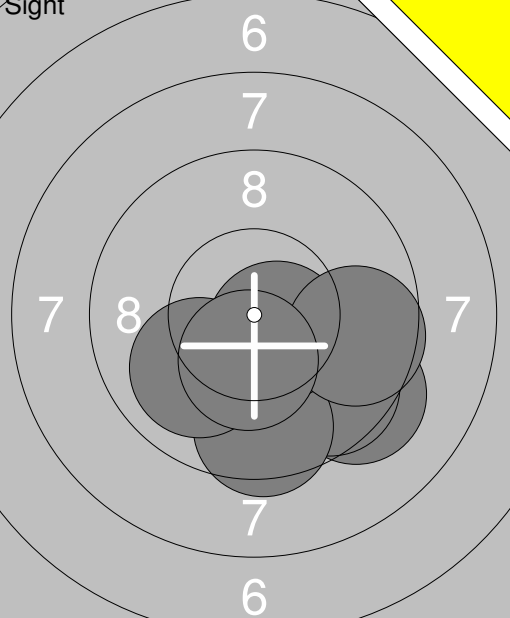
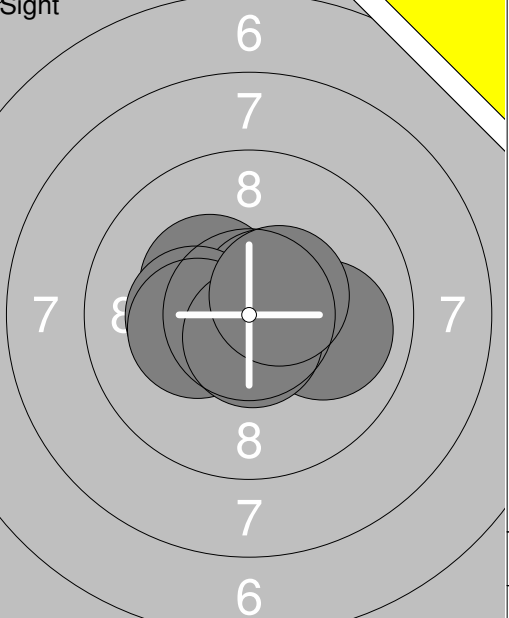
11:	10.5x ↘
12:	9.6 ←
13:	9.8 ↗
14:	10.0 →
15:	9.5 ↑
16:	10.0 ↓
17:	10.6x ↖
18:	9.9 ↑
19:	10.8x ↘
20:	9.3 ←
Series	100.0
Total	195.7

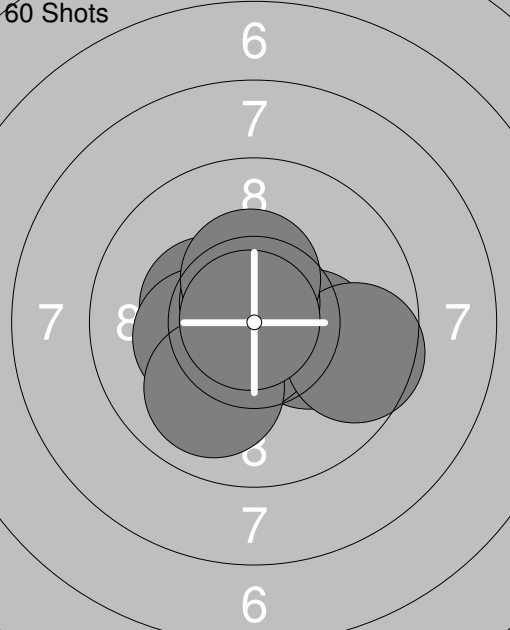
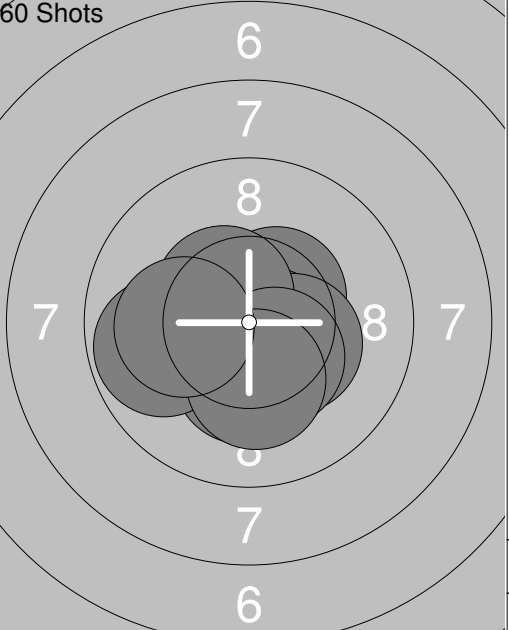


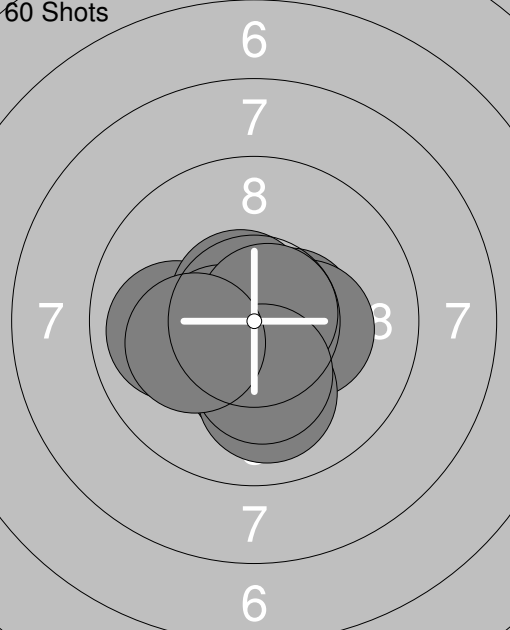
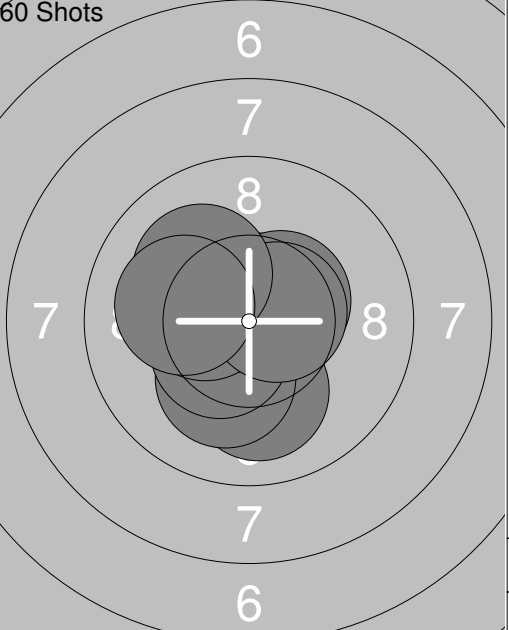
21:	10.0 ↖
22:	9.9 ↑
23:	10.0 ↗
24:	9.0 ←
25:	10.3x ↙
26:	9.5 ↑
27:	10.0 ↑
28:	10.4x ←
29:	10.6x ↖
30:	9.7 ↓
Series	99.4
Total	295.1

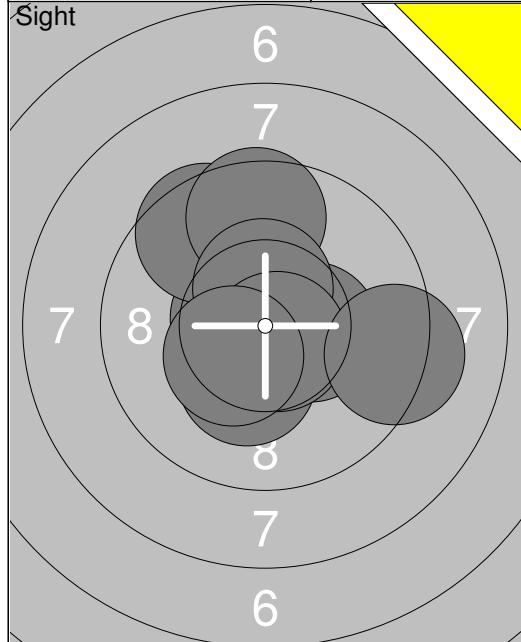


31:	10.6x ↖
32:	10.3x →
33:	9.1 ←
34:	10.3x ↓
35:	10.1 ↙
36:	10.3x ↑
37:	9.9 ↙
38:	10.5x ↓
39:	10.5x ↓
40:	9.4 ↗
Series	101.0
Total	396.1

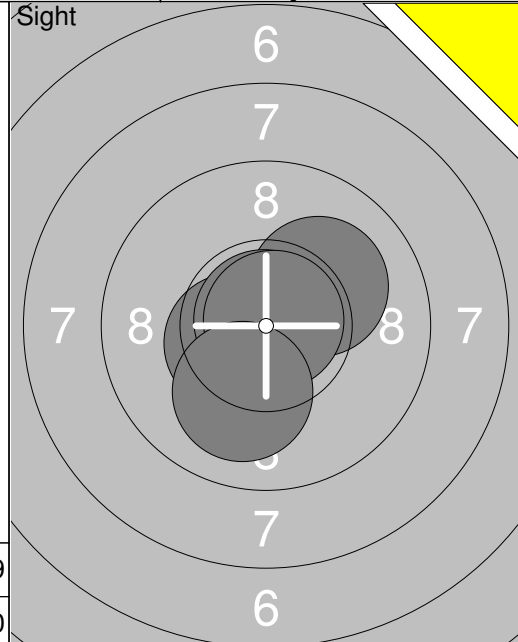
	<p>Sight</p> <p>1: 10.1 ↓</p> <p>2: 10.0 ↓</p> <p>3: 9.3 ↘</p> <p>4: 9.6 ↘</p> <p>5: 10.2x ↓</p> <p>6: 9.5 ↓</p> <p>7: 10.0 ↙</p> <p>8: 10.6x ↘</p> <p>9: 9.6 →</p> <p>10: 10.4x ↓</p>		<p>Sight</p> <p>11: 10.8x ↓</p> <p>12: 10.3x ↖</p> <p>13: 10.6x ↗</p> <p>14: 10.3x ←</p> <p>15: 10.0 →</p> <p>16: 10.3x ←</p> <p>17: 10.7x ↓</p> <p>18: 10.5x ↗</p>
Series	99.3	Series	83.5
Total	0.0	Total	0.0

	<p>60 Shots</p> <p>1: 10.2x →</p> <p>2: 10.3x ←</p> <p>3: 10.5x ←</p> <p>4: 10.7x ↓</p> <p>5: 10.3x ←</p> <p>6: 9.6 →</p> <p>7: 10.7x ↑</p> <p>8: 10.4x ↑</p> <p>9: 10.0 ↓</p> <p>10: 10.9x ↖</p>		<p>60 Shots</p> <p>11: 10.5x ↗</p> <p>12: 10.7x ↘</p> <p>13: 10.3x ↓</p> <p>14: 10.3x →</p> <p>15: 9.8 ←</p> <p>16: 10.3x ↓</p> <p>17: 10.5x ↖</p> <p>18: 10.4x ↓</p> <p>19: 10.2x ↓</p> <p>20: 10.1 ←</p>
Series	103.6	Series	103.1
Total	103.6	Total	206.7

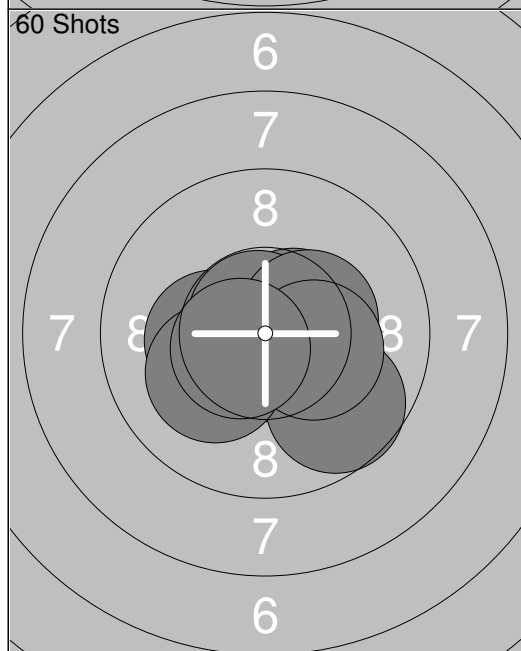
	<p>60 Shots</p> <p>21: 10.5x →</p> <p>22: 10.3x ↓</p> <p>23: 9.9 ←</p> <p>24: 10.3x →</p> <p>25: 10.0 ↓</p> <p>26: 10.6x ↗</p> <p>27: 10.5x ←</p> <p>28: 10.8x ↗</p> <p>29: 10.3x ↓</p> <p>30: 10.2x ↖</p>		<p>60 Shots</p> <p>31: 10.1 ↓</p> <p>32: 10.2x ↓</p> <p>33: 10.4x ↖</p> <p>34: 10.7x ↑</p> <p>35: 10.6x ↖</p> <p>36: 10.5x ↗</p> <p>37: 10.4x ←</p> <p>38: 10.6x →</p> <p>39: 10.1 ↖</p> <p>40: 10.1 ←</p>
Series	103.4	Series	103.7
Total	310.1	Total	413.8



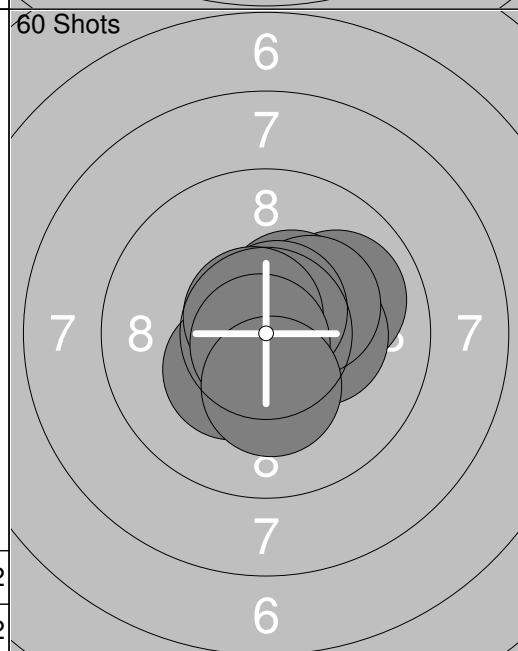
1: 10.6x	↖
2: 9.5	↗
3: 9.6	↑
4: 10.4x	→
5: 10.6x	↘
6: 10.3x	↘
7: 10.5x	↑
8: 10.7x	↘
9: 9.3	→
10: 10.4x	↙
Series	101.9
Total	0.0



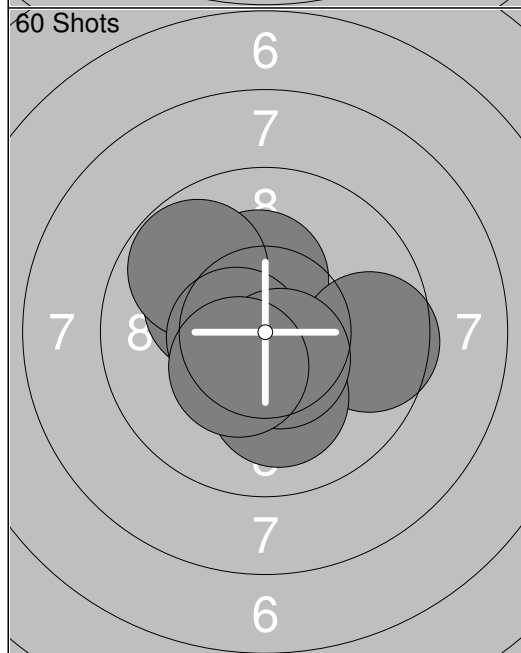
11: 10.1	↗
12: 10.5x	↙
13: 10.9x	↖
14: 10.8x	↗
15: 10.1	↘
Series	52.4
Total	0.0



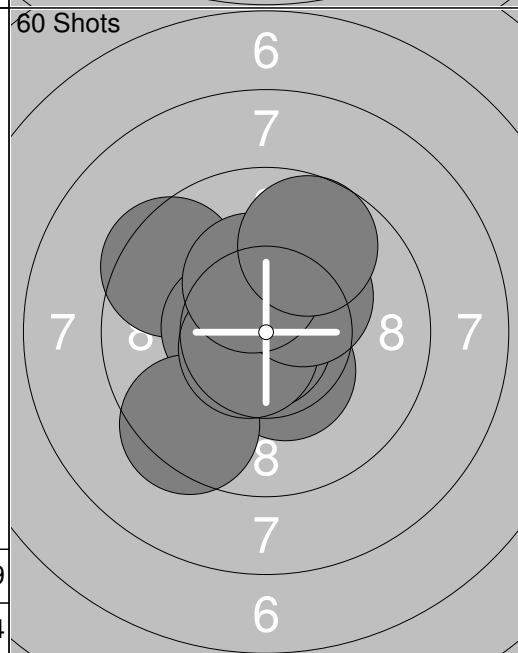
1: 10.3x	↖
2: 10.8x	→
3: 10.5x	↗
4: 10.8x	↖
5: 10.7x	↘
6: 9.7	↘
7: 10.4x	→
8: 10.3x	→
9: 10.1	↙
10: 10.6x	↙
Series	104.2
Total	104.2



11: 10.0	↗
12: 10.4x	↗
13: 10.6x	↘
14: 10.3x	→
15: 10.3x	↗
16: 10.6x	↗
17: 10.3x	↙
18: 10.7x	↖
19: 10.8x	↘
20: 10.3x	↘
Series	104.3
Total	208.5



21: 10.9x	→
22: 10.2x	↖
23: 10.3x	↑
24: 10.4x	↘
25: 9.8	↖
26: 9.6	→
27: 10.6x	↖
28: 10.1	↘
29: 10.6x	↘
30: 10.4x	↙
Series	102.9
Total	311.4



31: 10.4x	↘
32: 10.8x	↘
33: 9.5	↖
34: 10.5x	↖
35: 9.4	↘
36: 10.7x	↙
37: 10.2x	↗
38: 10.3x	↗
39: 10.3x	↖
40: 9.7	↗
Series	101.8
Total	413.2