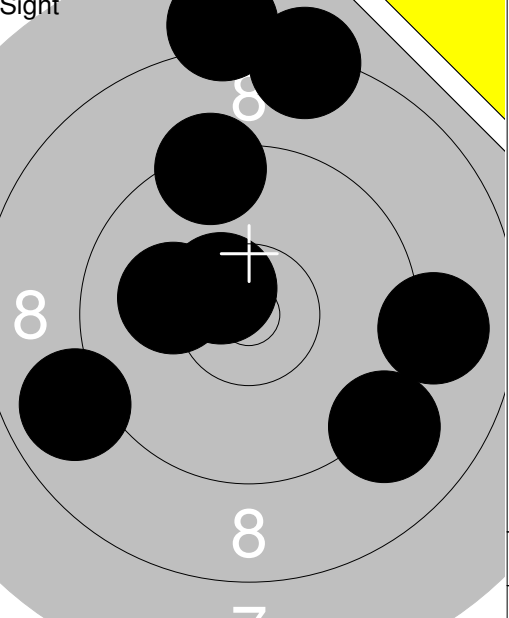
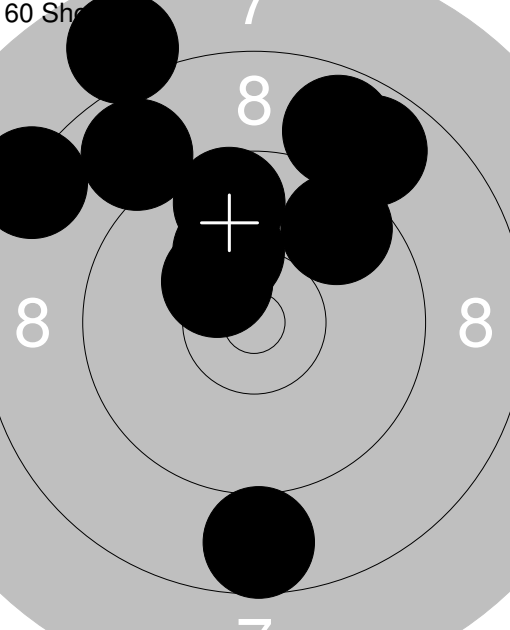
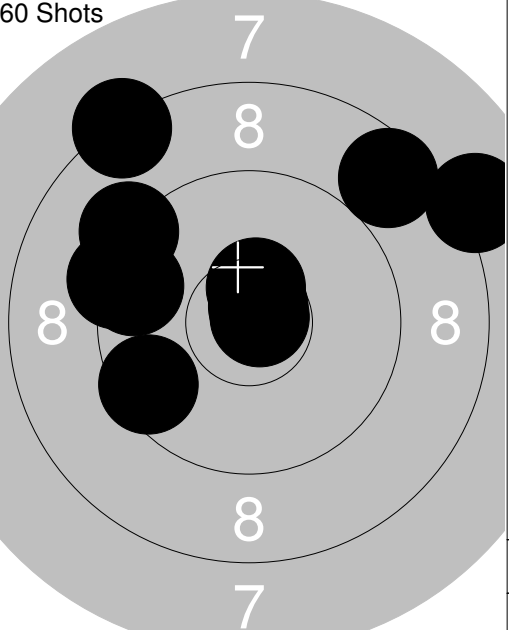
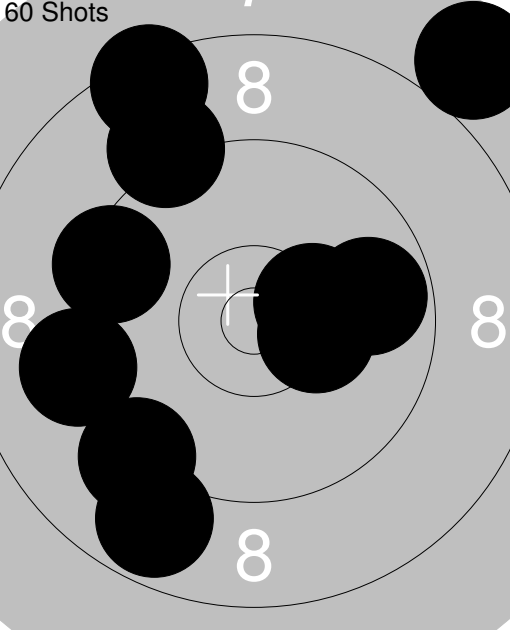
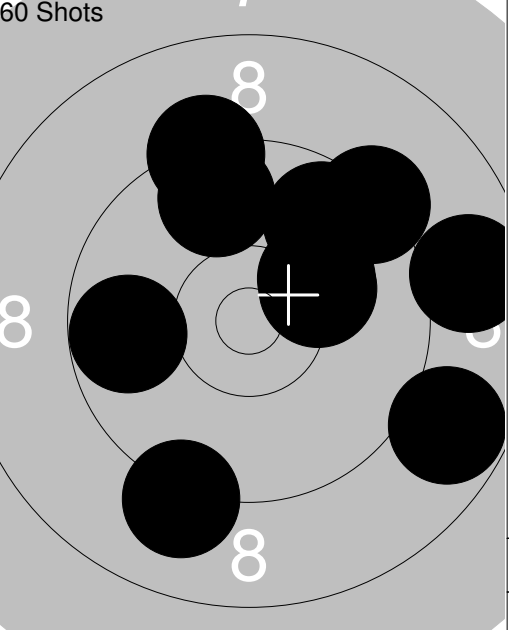
	<p>1: 10.1 ↗</p> <p>2: 9.0 →</p> <p>3: 9.0 ↖</p> <p>4: 9.1 ↗</p> <p>5: 8.6 →</p> <p>6: 10.2 ←</p> <p>7: 9.1 →</p> <p>8: 9.2 →</p> <p>9: 8.6 ↓</p> <p>10: 10.2 ↙</p>	<p>Sight</p> 	<p>11: 9.4 ↗</p> <p>12: 10.6x ↖</p> <p>13: 9.1 →</p> <p>14: 9.0 ↖</p> <p>15: 10.2 ←</p> <p>16: 9.2 ↘</p> <p>17: 8.3 ↗</p> <p>18: 8.0 ↗</p>
Series 91.0	Series 72.0		
Total 0.0	Total 0.0		

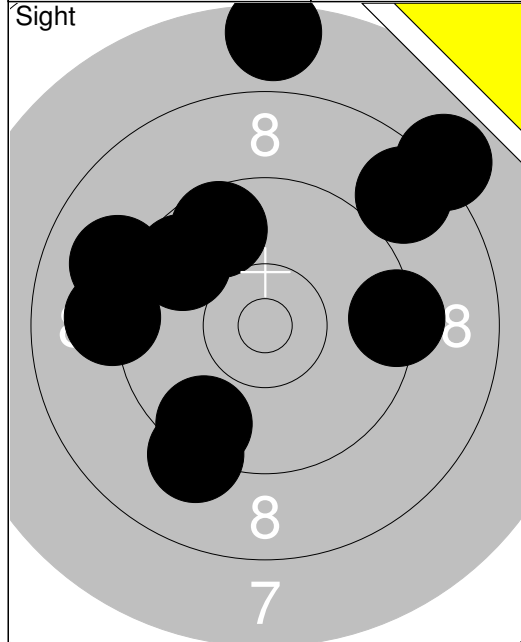
<p>60 Shots</p> 	<p>1: 8.9 ↗</p> <p>2: 10.4x ↖</p> <p>3: 10.2 ↗</p> <p>4: 9.7 ↗</p> <p>5: 7.9 ↗</p> <p>6: 8.3 ↖</p> <p>7: 9.7 ↗</p> <p>8: 8.9 ↖</p> <p>9: 8.9 ↗</p> <p>10: 8.7 ↓</p>	<p>60 Shots</p> 	<p>11: 9.2 ↖</p> <p>12: 10.8x →</p> <p>13: 10.7x ↗</p> <p>14: 8.7 ↗</p> <p>15: 9.6 ↖</p> <p>16: 10.6x ↗</p> <p>17: 8.1 ↗</p> <p>18: 8.3 ↖</p> <p>19: 9.6 ↖</p> <p>20: 9.4 ↖</p>
Series 85.0	Series 90.0		
Total 85.0	Total 175.0		

<p>60 Shots</p> 	<p>21: 9.1 ↖</p> <p>22: 7.7 ↗</p> <p>23: 10.3 →</p> <p>24: 10.4x →</p> <p>25: 9.5 ↖</p> <p>26: 8.9 ↓</p> <p>27: 9.3 ↖</p> <p>28: 9.8 →</p> <p>29: 8.5 ↗</p> <p>30: 9.2 ←</p>	<p>60 Shots</p> 	<p>31: 9.7 ↗</p> <p>32: 9.8 ←</p> <p>33: 10.2 →</p> <p>34: 10.2 →</p> <p>35: 8.8 →</p> <p>36: 9.4 ↗</p> <p>37: 9.8 ↗</p> <p>38: 9.3 ↗</p> <p>39: 9.1 ↓</p> <p>40: 8.8 ↘</p>
Series 88.0	Series 90.0		
Total 263.0	Total 353.0		

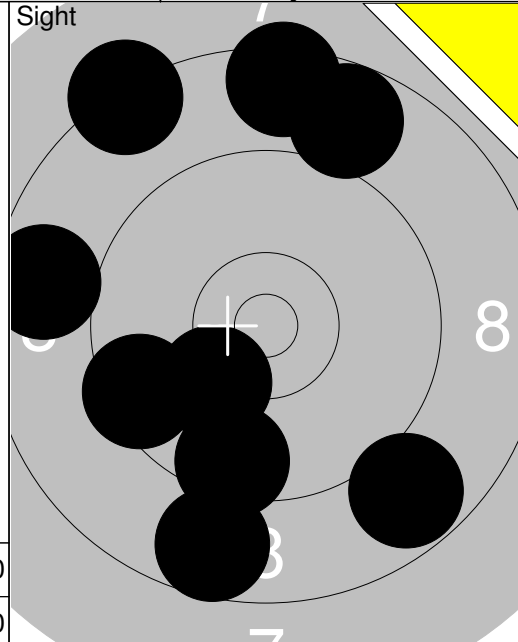
<p>Sight</p>	<p>Sight</p>	
--------------	--------------	--

<p>60 Shots</p>	<p>60 Shots</p>	
-----------------	-----------------	--

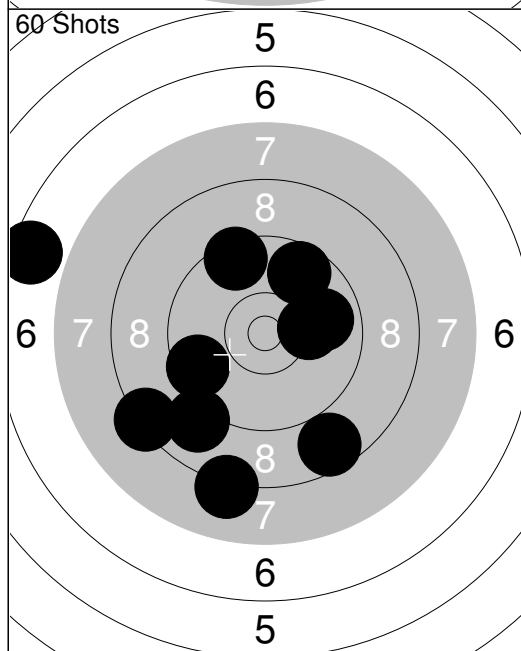
<p>60 Shots</p>	<p>60 Shots</p>	
-----------------	-----------------	--



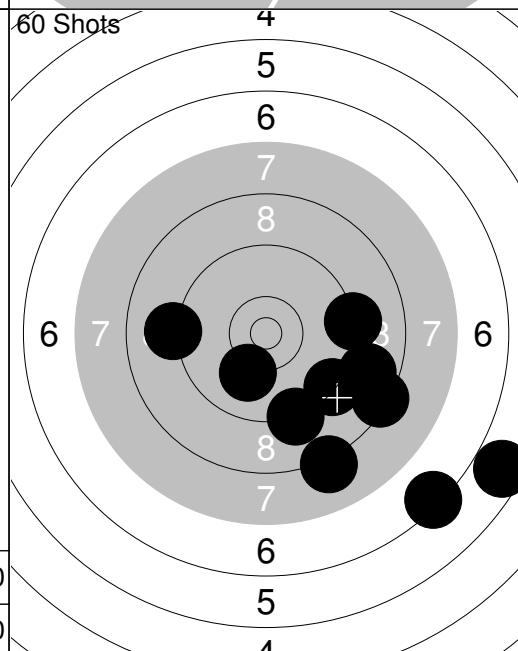
1:	9.6	↘
2:	8.1	↗
3:	7.5	↑
4:	8.7	↗
5:	9.7	↖
6:	9.7	↑
7:	9.4	→
8:	9.2	←
9:	9.1	↖
10:	9.3	↘
Series		86.0
Total		0.0



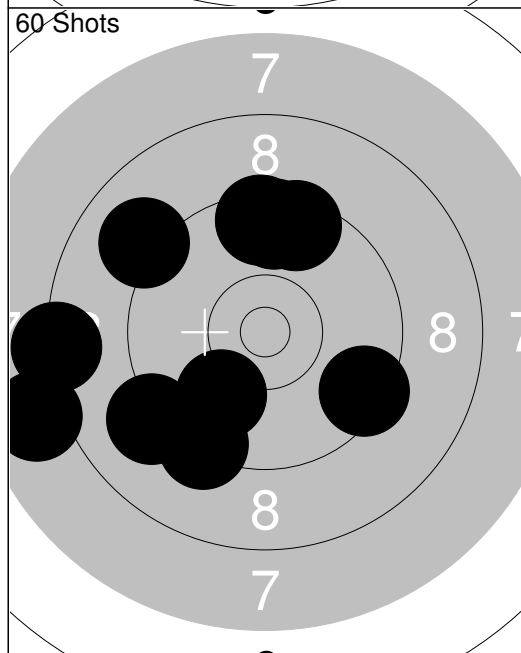
11:	9.6	↖
12:	8.8	↘
13:	8.7	↓
14:	8.3	↖
15:	8.7	↖
16:	8.8	↗
17:	8.5	↑
18:	9.6	↓
19:	10.2	↘
Series		76.0
Total		0.0



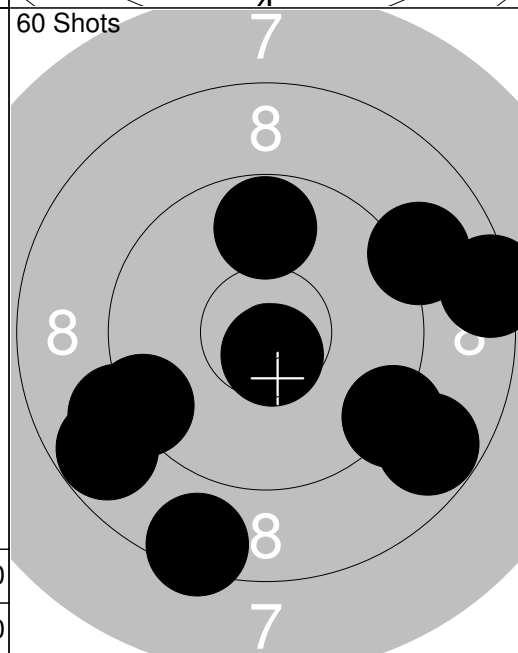
1:	8.3	↖
2:	9.5	↑
3:	6.6	↖
4:	9.0	↘
5:	9.6	↖
6:	8.7	↘
7:	9.9	→
8:	9.7	↗
9:	8.2	↓
10:	10.2	→
Series		85.0
Total		85.0



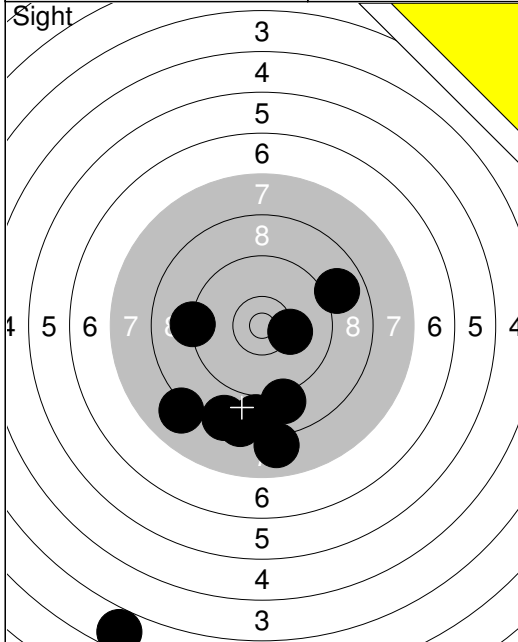
11:	10.1	↘
12:	5.7	↘
13:	6.4	↘
14:	9.2	→
15:	8.4	↘
16:	8.1	↘
17:	9.3	↘
18:	9.2	↓
19:	9.1	←
20:	8.8	→
Series		81.0
Total		166.0



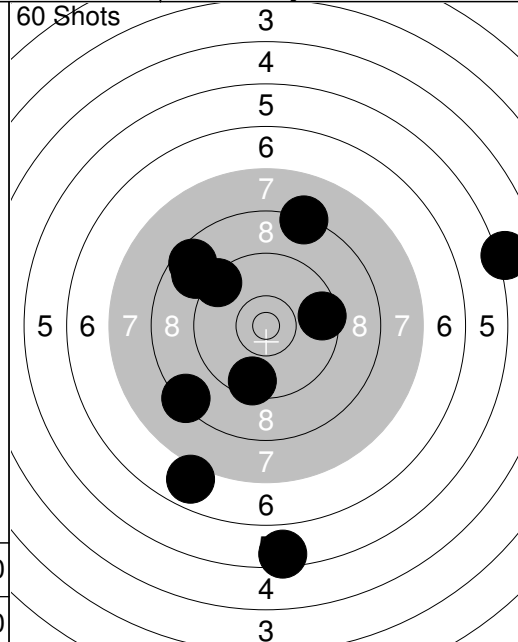
21:	9.6	↑
22:	9.5	↘
23:	9.4	↘
24:	8.3	←
25:	10.0	↘
26:	9.1	↖
27:	7.9	←
28:	9.6	↑
29:	9.2	↖
30:	9.6	↑
Series		88.0
Total		254.0



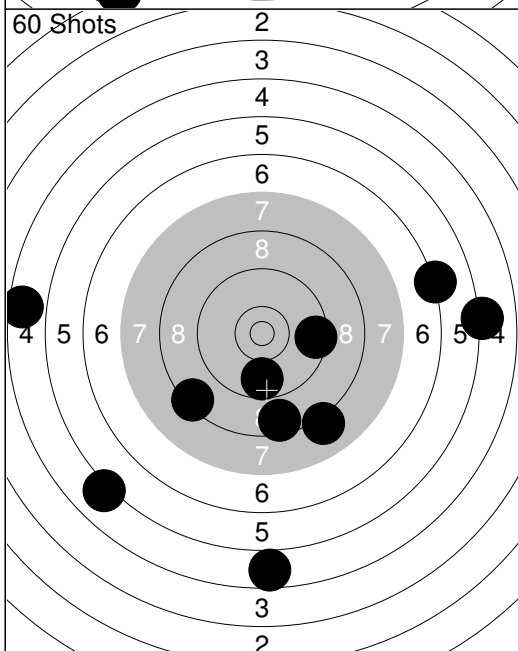
31:	9.4	↖
32:	9.8	↑
33:	8.5	↓
34:	9.3	↘
35:	9.1	↗
36:	8.8	↖
37:	9.1	↖
38:	10.7x	↘
39:	8.8	↘
40:	8.5	→
Series		87.0
Total		341.0



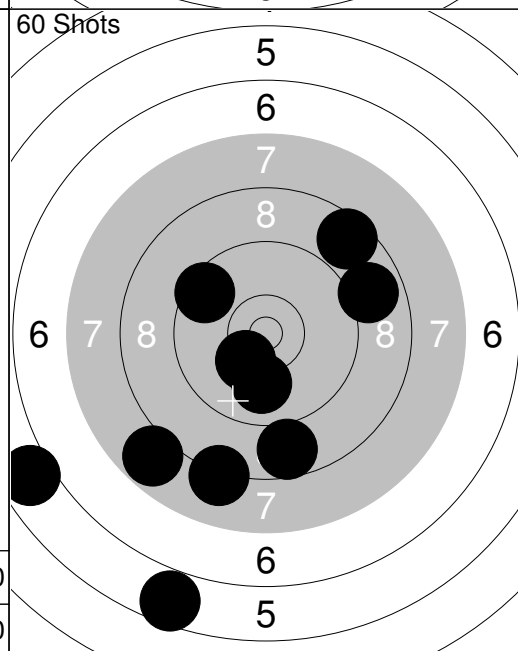
1:	8.7	↓
2:	2.7	↓
3:	8.0	↓
4:	8.1	↙
5:	10.2	→
6:	9.3	←
7:	8.9	→
8:	8.5	↓
9:	8.5	↓
10:	9.0	↓
Series	78.0	
Total	0.0	



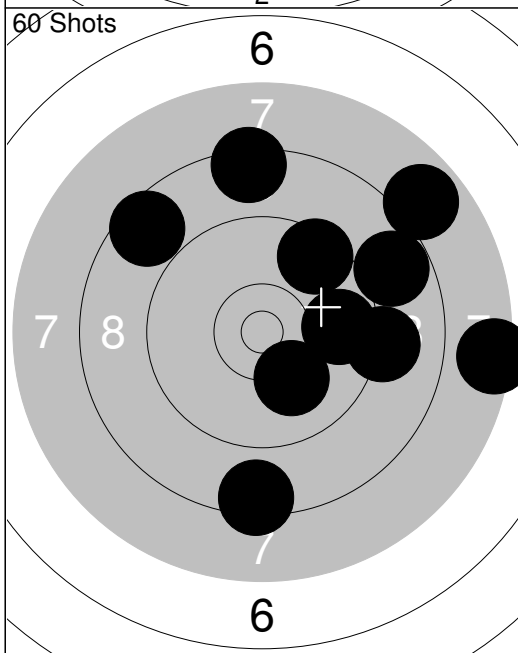
1:	8.3	↗
2:	6.9	↓
3:	5.1	→
4:	9.6	→
5:	8.4	↙
6:	5.5	↓
7:	8.9	↖
8:	8.7	↖
9:	9.4	↖
10:	9.6	↓
Series	75.0	
Total	75.0	



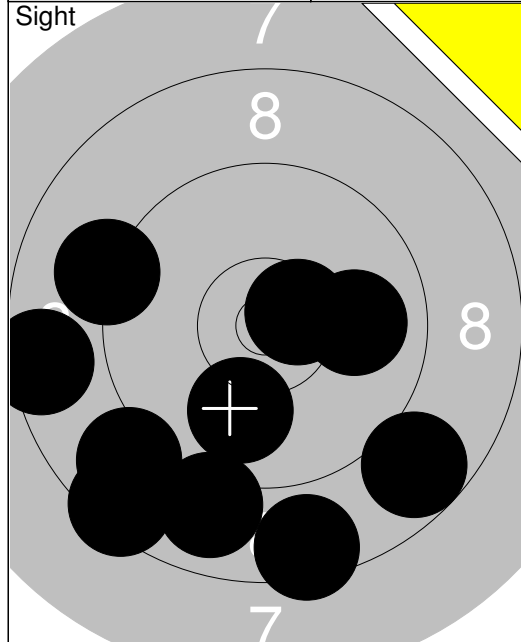
11:	6.2	→
12:	8.1	↓
13:	4.6	←
14:	4.7	↓
15:	5.1	→
16:	8.6	↓
17:	5.1	↙
18:	9.8	↓
19:	9.5	→
20:	8.4	↙
Series	66.0	
Total	141.0	



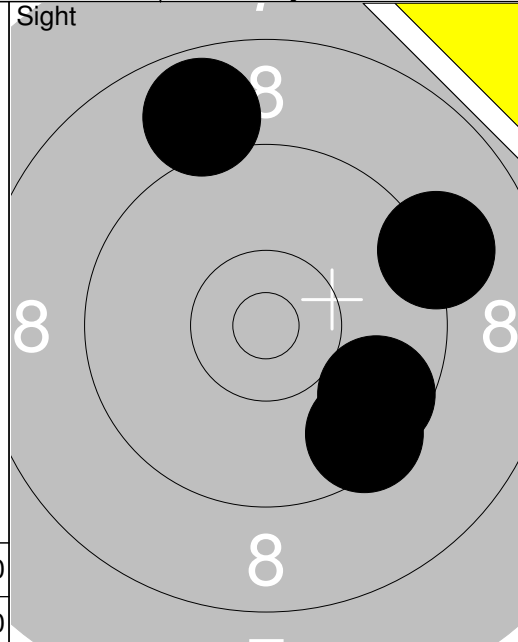
21:	5.7	↓
22:	10.0	↓
23:	8.9	→
24:	8.2	↓
25:	8.6	↗
26:	9.6	↖
27:	5.8	↙
28:	7.8	↙
29:	8.8	↓
30:	10.3	↙
Series	78.0	
Total	219.0	



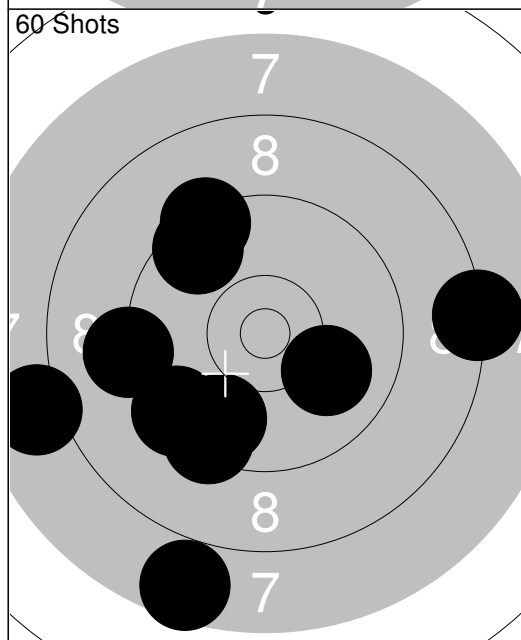
31:	9.8	→
32:	8.5	↓
33:	7.5	→
34:	10.1	↓
35:	8.5	↑
36:	9.6	↗
37:	8.8	→
38:	8.7	↖
39:	7.9	↗
40:	9.2	→
Series	83.0	
Total	302.0	



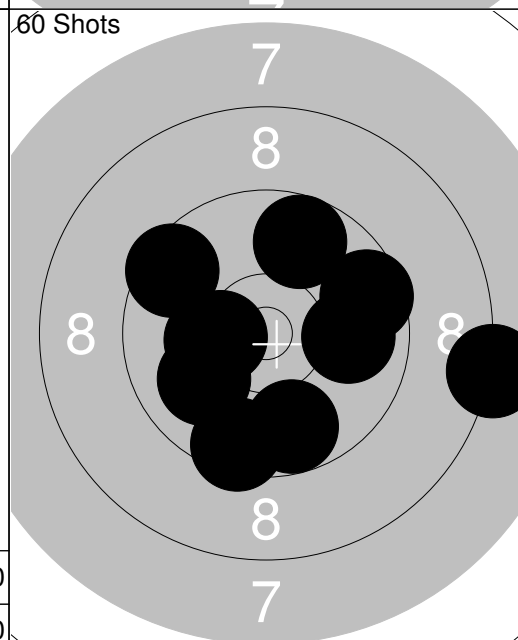
1:	8.9	↘
2:	9.2	↖
3:	8.8	↘
4:	10.6x	→
5:	8.6	↓
6:	9.0	↓
7:	8.6	←
8:	8.5	↘
9:	10.0	↓
10:	10.0	→
Series		88.0
Total		0.0



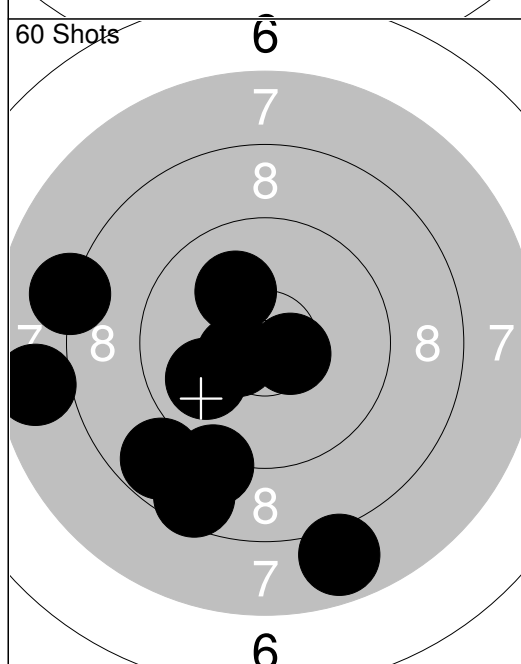
11:	9.7	↘
12:	8.9	↖
13:	9.2	↗
14:	9.6	↘
Series		35.0
Total		0.0



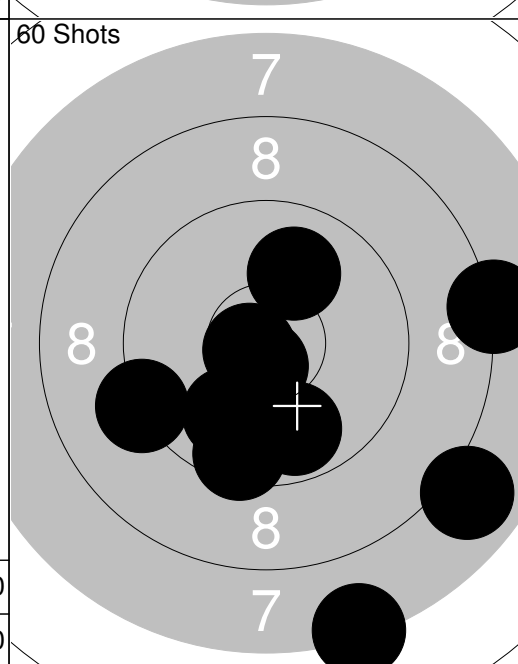
1:	9.5	↘
2:	9.8	↓
3:	10.1	↘
4:	9.5	↓
5:	9.2	←
6:	8.3	→
7:	9.4	↗
8:	9.6	↗
9:	8.0	←
10:	7.7	↓
Series		87.0
Total		87.0



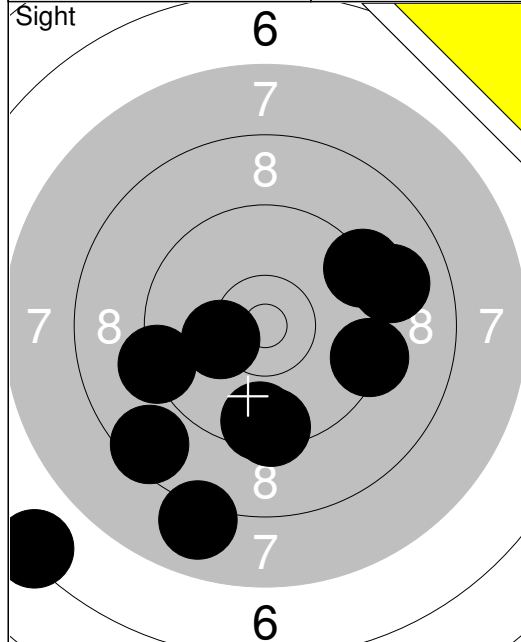
11:	9.6	↖
12:	10.3	←
13:	10.0	→
14:	10.0	↖
15:	9.8	↓
16:	9.6	↓
17:	9.8	↗
18:	9.7	↗
19:	8.2	→
20:	10.4x	←
Series		93.0
Total		180.0



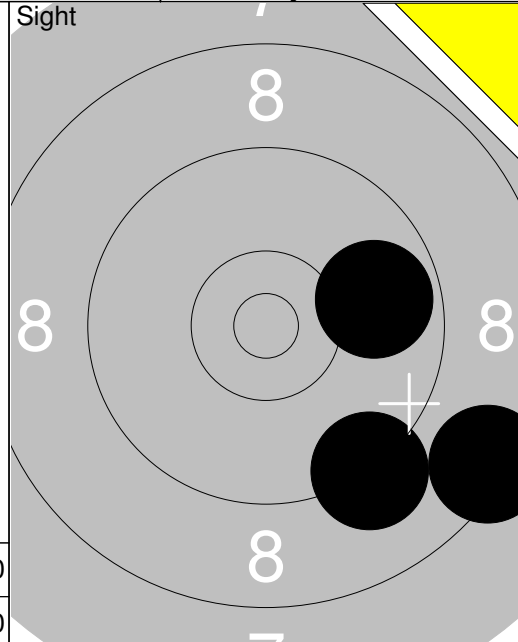
21:	9.1	↓
22:	8.8	↘
23:	7.8	←
24:	10.0	↖
25:	8.2	←
26:	10.5x	↖
27:	10.6x	↗
28:	8.6	↓
29:	10.1	↗
30:	7.9	↓
Series		87.0
Total		267.0



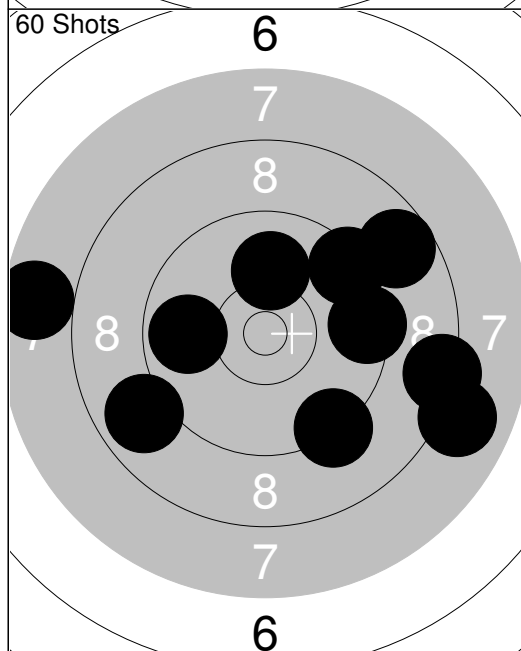
31:	9.9	↓
32:	7.3	↓
33:	7.9	↘
34:	9.6	↓
35:	10.7x	↘
36:	10.7x	↖
37:	8.2	→
38:	10.0	↗
39:	9.3	←
40:	10.0	↘
Series		89.0
Total		356.0



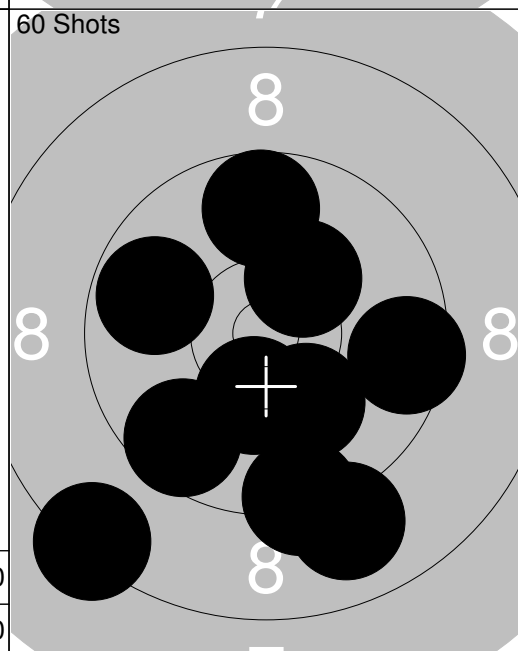
1:	8.0	↓
2:	9.3	←
3:	9.4	→
4:	10.3	←
5:	9.3	↗
6:	8.6	↙
7:	9.1	→
8:	6.4	↙
9:	9.5	↓
10:	9.6	↓
Series		86.0
Total		0.0



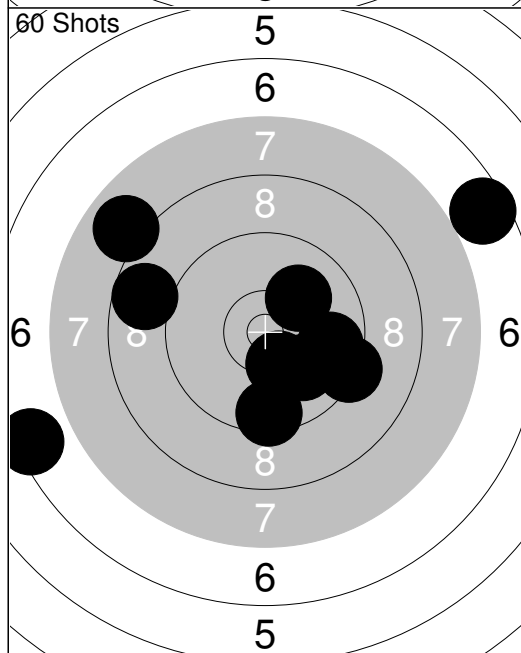
11:	8.4	↘
12:	9.2	↘
13:	9.9	→
Series		26.0
Total		0.0



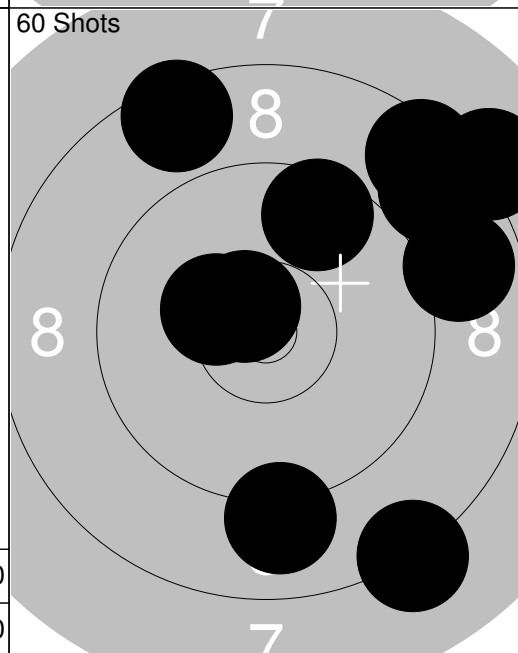
1:	8.9	←
2:	8.4	→
3:	8.8	↗
4:	10.1	↑
5:	9.3	↘
6:	8.0	→
7:	7.7	←
8:	9.5	↗
9:	9.5	→
10:	9.9	←
Series		85.0
Total		85.0



11:	9.8	←
12:	9.4	↓
13:	10.4	↓
14:	9.8	↑
15:	9.0	↘
16:	9.7	↙
17:	10.3	↗
18:	8.4	↙
19:	10.2	↓
20:	9.6	→
Series		92.0
Total		177.0



21:	10.4x	↓
22:	10.1	↓
23:	8.8	←
24:	9.8	→
25:	8.0	↗
26:	9.4	→
27:	10.1	↗
28:	9.6	↓
29:	6.7	↗
30:	6.5	←
Series		85.0
Total		262.0

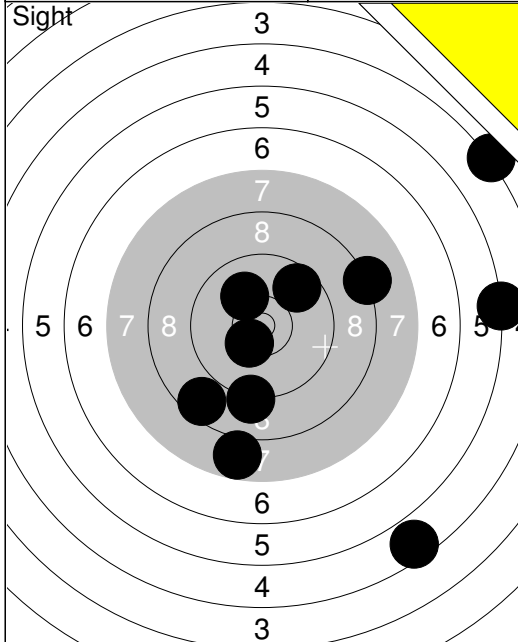


31:	8.6	↖
32:	8.6	↗
33:	10.6x	↖
34:	9.7	↗
35:	8.2	↘
36:	8.7	↗
37:	8.9	→
38:	9.1	↓
39:	10.4x	↖
40:	8.1	↗
Series		86.0
Total		348.0

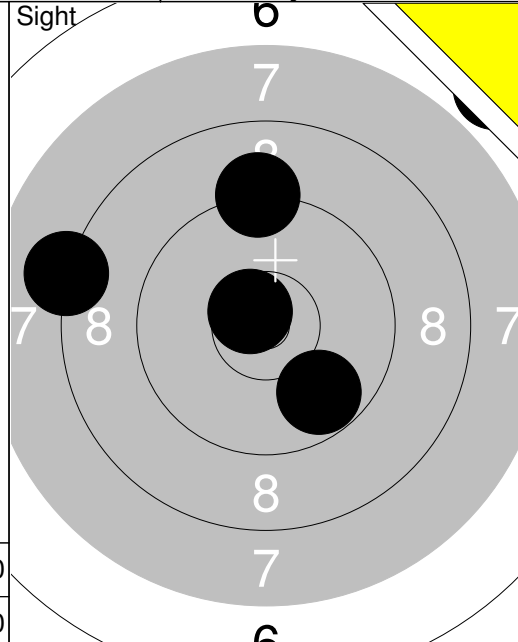
<p>Sight</p>	<p>1: 10.1 ↖ 2: 8.7 ↙ 3: 9.4 → 4: 9.9 ↓ 5: 8.5 ↓ 6: 9.0 → 7: 9.7 ↙ 8: 10.7x↙ 9: 9.5 ↓ 10: 9.6 ↓</p> <p>Series 90.0 Total 0.0</p>	<p>Sight</p>	<p>11: 9.2 ↑ 12: 10.1 ↘ 13: 10.4x↙ 14: 10.6x→</p> <p>Series 39.0 Total 0.0</p>
--------------	--	--------------	--

<p>60 Shots</p>	<p>1: 10.5x↗ 2: 10.6x↖ 3: 9.6 ↓ 4: 10.0 ← 5: 10.0 ↗ 6: 8.1 → 7: 10.1 ↓ 8: 9.8 ↗ 9: 9.2 ↓ 10: 10.0 ↗</p> <p>Series 95.0 Total 95.0</p>	<p>60 Shots</p>	<p>11: 10.5x→ 12: 9.1 ← 13: 10.8x↑ 14: 7.9 ↙ 15: 9.1 ↗ 16: 8.3 ↙ 17: 9.6 ↑ 18: 9.4 → 19: 10.1 ↓ 20: 9.6 ↑</p> <p>Series 90.0 Total 185.0</p>
-----------------	---	-----------------	--

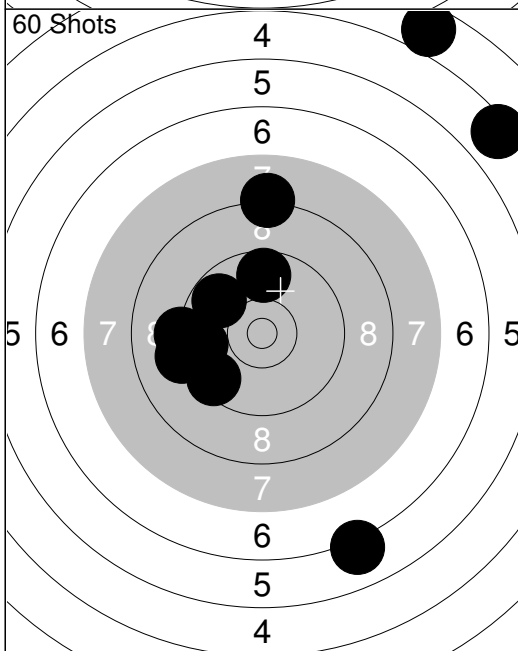
<p>60 Shots</p>	<p>21: 10.5x↑ 22: 8.1 ↓ 23: 9.4 ↗ 24: 9.7 ↓ 25: 8.2 ↓ 26: 9.5 ↗ 27: 9.0 ↓ 28: 9.3 ↓ 29: 9.9 → 30: 10.9x↙</p> <p>Series 90.0 Total 275.0</p>	<p>60 Shots</p>	<p>31: 9.2 ↙ 32: 10.4x↘ 33: 10.7x↖ 34: 10.6x→ 35: 9.8 ↘ 36: 8.7 ↗ 37: 9.7 ← 38: 9.6 ↓ 39: 9.5 ← 40: 9.7 ↖</p> <p>Series 92.0 Total 367.0</p>
-----------------	---	-----------------	--



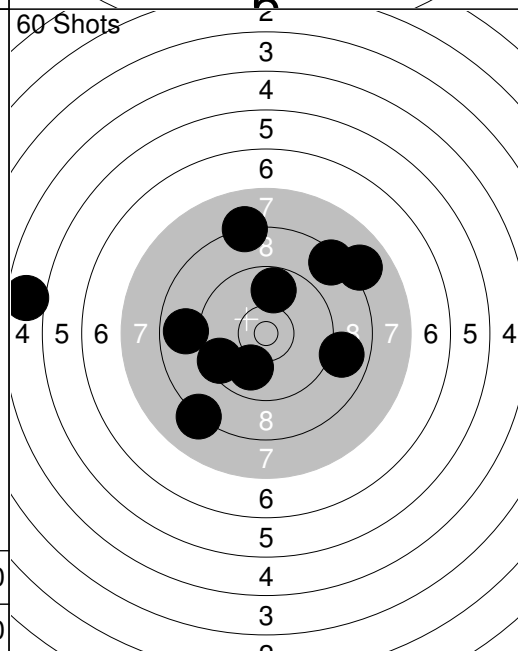
11: 6.6 ↗
12: 8.2 ←
13: 9.8 ↘
14: 10.7x ↖
15: 9.2 ↑
Series 42.0
Total 0.0



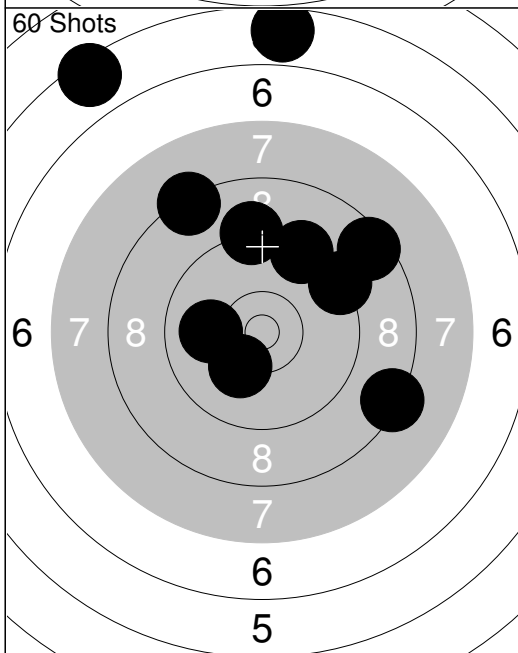
Series 74.0
Total 0.0
Series 42.0
Total 0.0



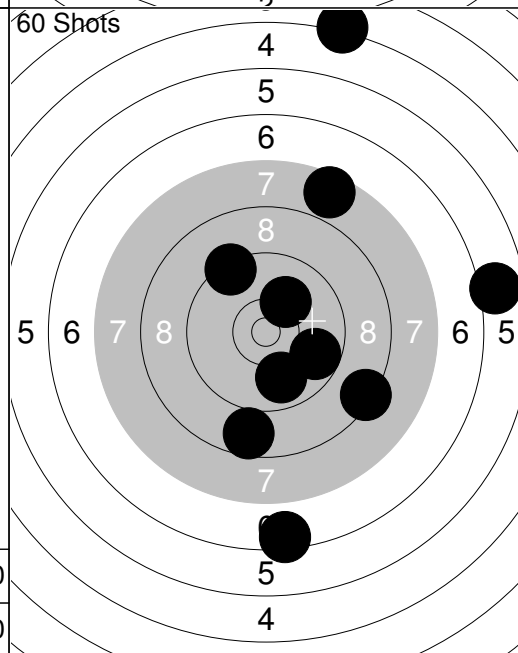
11: 8.2 ↙
12: 8.5 ↗
13: 8.2 ↑
14: 4.8 ←
15: 10.0 ↓
16: 8.9 →
17: 9.6 ↙
18: 8.0 ↗
19: 8.9 ←
20: 9.8 ↑
Series 80.0
Total 155.0



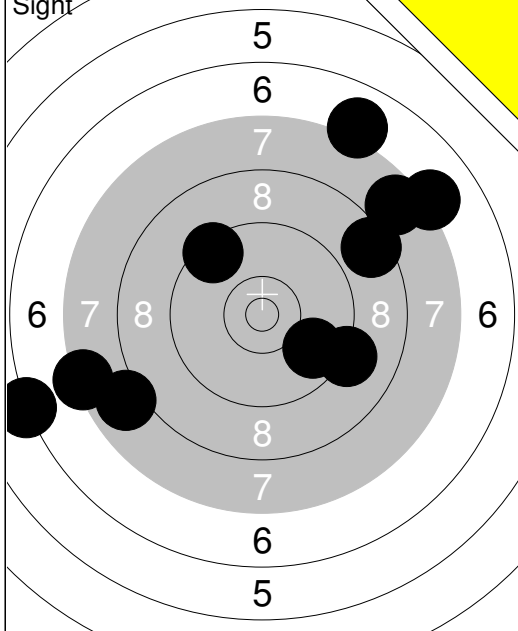
Series 75.0
Total 75.0
Series 80.0
Total 155.0



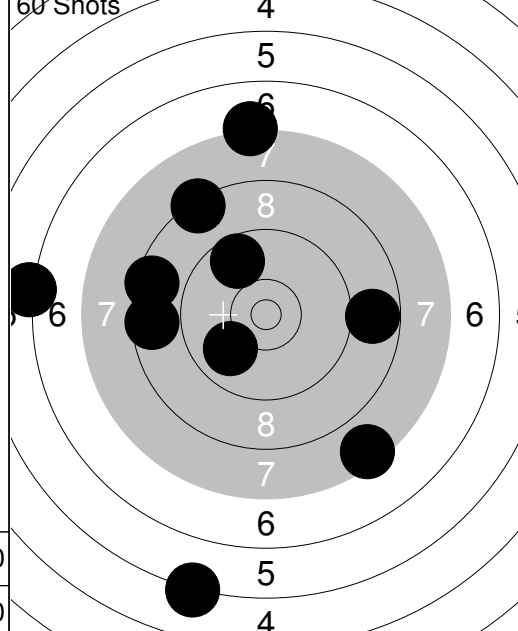
31: 4.1 ↑
32: 10.2 ↗
33: 9.8 →
34: 6.5 ↓
35: 8.7 ↓
36: 9.9 ↓
37: 8.4 →
38: 7.6 ↗
39: 9.4 ↖
40: 5.9 →
Series 75.0
Total 311.0



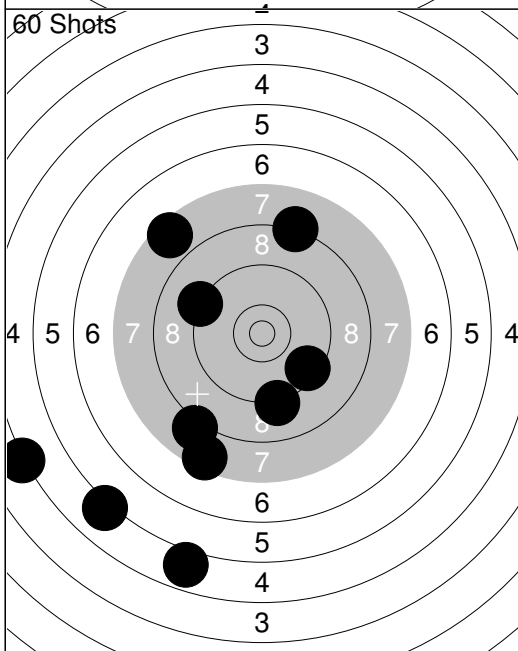
Series 81.0
Total 236.0
Series 75.0
Total 311.0



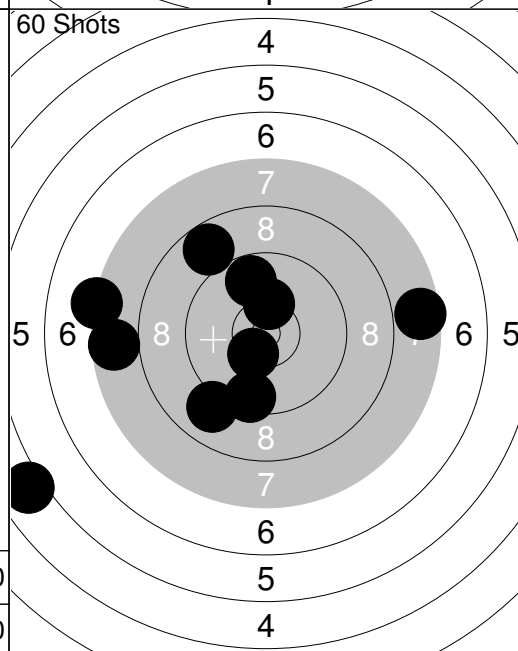
1:	7.9	↙
2:	9.8	↘
3:	9.5	↖
4:	6.2	←
5:	7.0	↗
6:	7.7	↗
7:	7.1	↗
8:	9.2	↘
9:	7.4	←
10:	8.6	↗
Series	76.0	
Total	0.0	



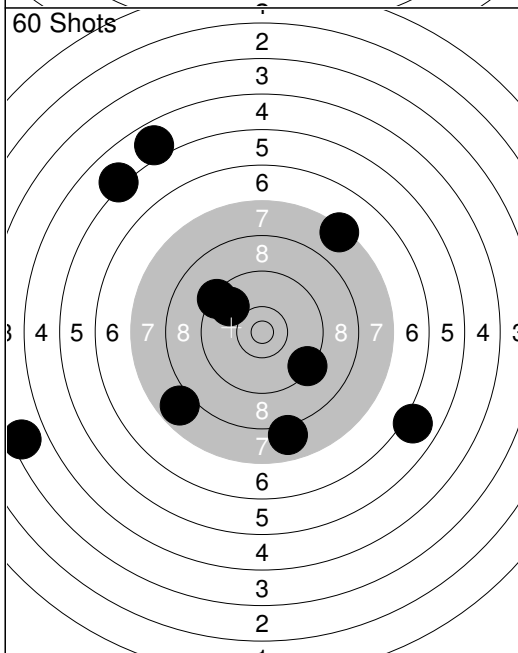
1:	8.8	→
2:	9.7	↖
3:	8.4	↖
4:	10.0	↙
5:	7.2	↑
6:	8.6	←
7:	8.6	←
8:	7.5	↘
9:	6.1	←
10:	5.2	↘
Series	76.0	
Total	76.0	



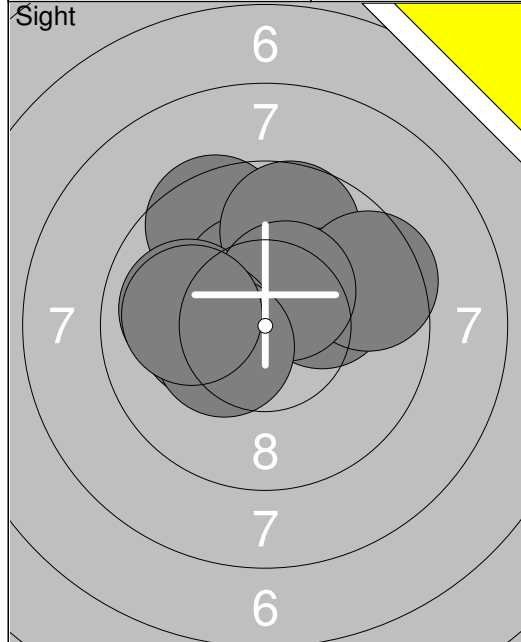
11:	9.2	↘
12:	8.1	↘
13:	5.1	↙
14:	7.5	↘
15:	9.2	↖
16:	4.9	↘
17:	7.6	↗
18:	8.2	↗
19:	4.2	←
20:	9.5	↘
Series	70.0	
Total	146.0	



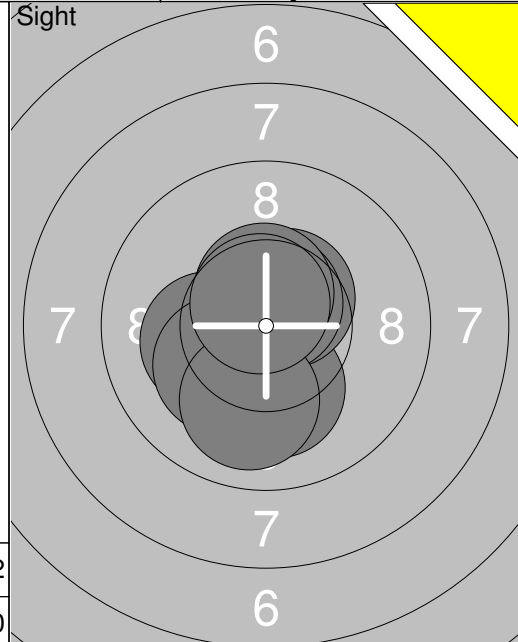
21:	9.0	↙
22:	10.4x	↙
23:	7.3	←
24:	7.7	←
25:	9.8	↑
26:	8.8	↖
27:	9.5	↘
28:	7.6	→
29:	10.3	↑
30:	4.9	↙
Series	80.0	
Total	226.0	



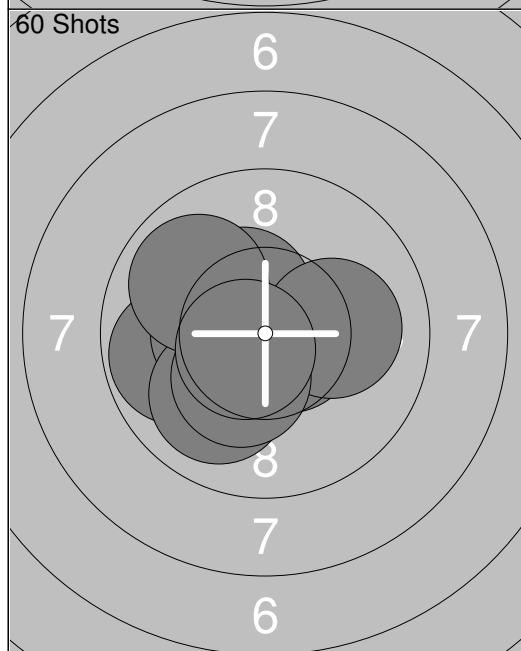
31:	7.4	↗
32:	7.8	↙
33:	4.9	↖
34:	3.5	←
35:	9.4	↘
36:	9.4	↗
37:	6.0	↘
38:	9.8	↖
39:	8.0	↘
40:	5.1	↖
Series	67.0	
Total	293.0	



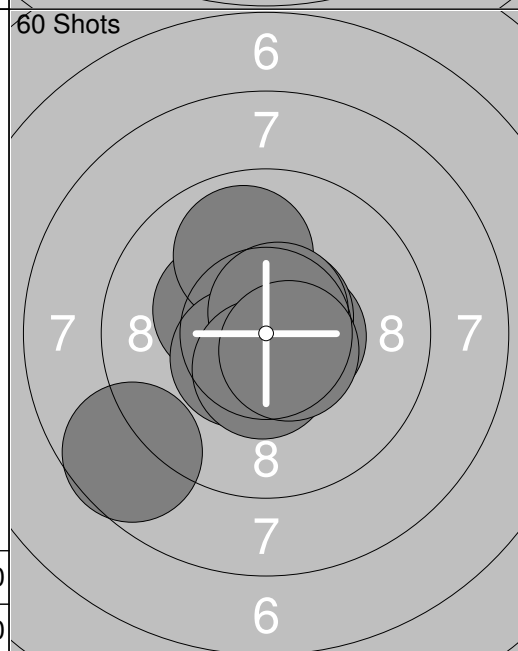
1:	9.5	↖
2:	10.4x	↗
3:	9.7	↑
4:	10.0	←
5:	10.1	→
6:	9.5	→
7:	10.4x	↗
8:	10.2x	←
9:	10.4x	↙
10:	10.0	←
Series		100.2
Total		0.0



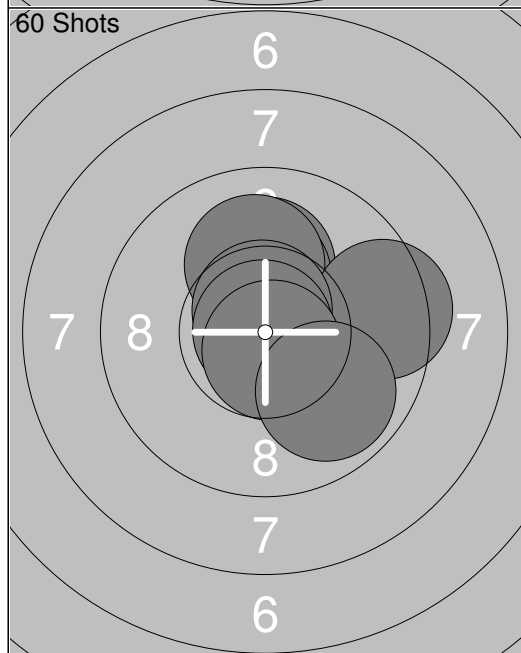
11:	10.3x	↙
12:	10.7x	←
13:	10.2x	←
14:	10.2x	↓
15:	10.2x	↙
16:	10.5x	↗
17:	10.6x	↗
18:	10.5x	↑
19:	10.0	↓
20:	10.7x	↗
Series		103.9
Total		0.0



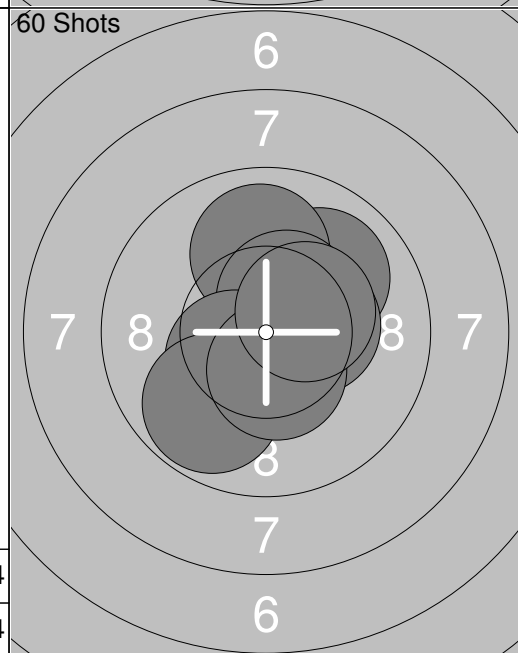
1:	10.6x	→
2:	10.9x	↙
3:	9.8	←
4:	10.4x	↖
5:	10.1	→
6:	10.4x	←
7:	10.0	↓
8:	10.3x	↙
9:	9.9	↖
10:	10.6x	↙
Series		103.0
Total		103.0



11:	10.3x	↖
12:	9.9	↑
13:	10.6x	→
14:	10.7x	↓
15:	10.5x	↙
16:	8.7	↙
17:	10.6x	↗
18:	10.6x	↗
19:	10.5x	↓
20:	10.6x	↘
Series		103.0
Total		206.0



21:	10.1	↑
22:	10.8x	↗
23:	10.6x	→
24:	10.2x	↑
25:	10.1	↑
26:	9.4	→
27:	10.7x	↑
28:	10.9x	↖
29:	10.7x	↓
30:	9.9	↘
Series		103.4
Total		309.4

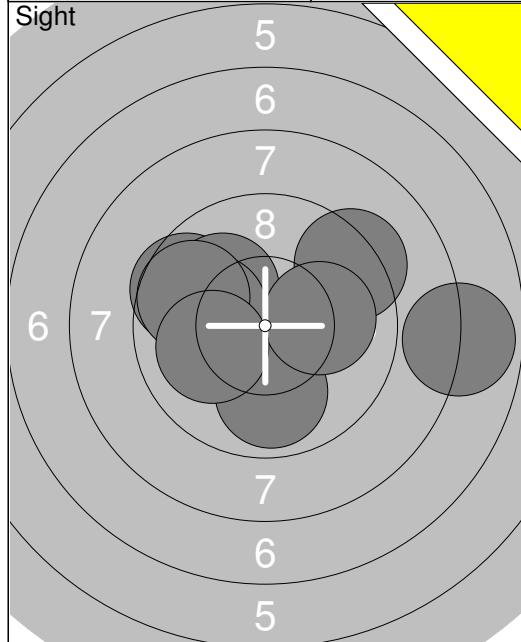


31:	10.0	↗
32:	10.6x	↑
33:	10.4x	→
34:	9.9	↑
35:	10.5x	↗
36:	10.5x	↓
37:	10.4x	↙
38:	9.8	↙
39:	10.4x	↓
40:	10.4x	→
Series		102.9
Total		412.3

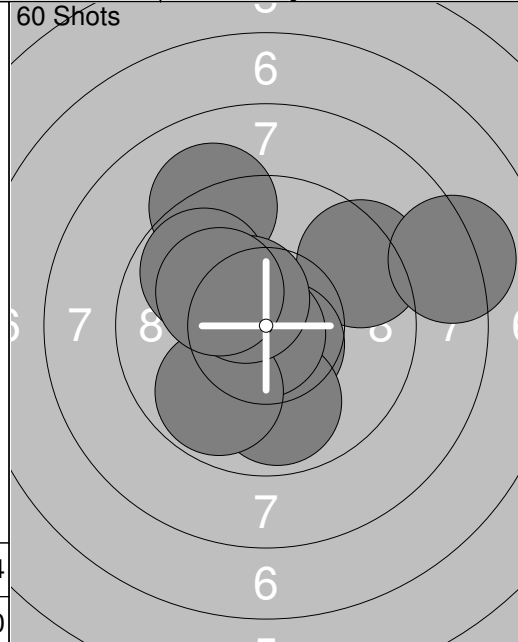
Sight 	1: 10.6x → 2: 9.7 ↘ 3: 10.4x ↙ 4: 10.5x ↘ 5: 10.2x ↘ 6: 10.4x ↙ 7: 10.2x ↙ 8: 10.2x ↙ 9: 10.5x ← 10: 10.5x ← Series 103.2 Total 0.0	Sight 	11: 9.9 ↘ 12: 9.8 ↘ 13: 10.4x ↓ 14: 10.6x ↙ 15: 9.6 → 16: 10.6x ↓ 17: 10.3x ↓ 18: 10.5x ↙ 19: 10.3x ↓ Series 92.0 Total 0.0
-----------	--	-----------	---

60 Shots 	1: 10.2x ↗ 2: 10.1 ↓ 3: 10.2x ↓ 4: 10.4x ↓ 5: 9.5 ↗ 6: 10.1 → 7: 10.3x ↘ 8: 10.3x ← 9: 10.8x ↙ 10: 10.5x ← Series 102.4 Total 102.4	60 Shots 	11: 9.5 ↙ 12: 10.1 ← 13: 10.3x → 14: 9.9 ↗ 15: 10.7x ↘ 16: 10.3x → 17: 10.6x ↘ 18: 9.5 ← 19: 10.1 ↗ 20: 9.9 ← Series 100.9 Total 203.3
--------------	--	--------------	---

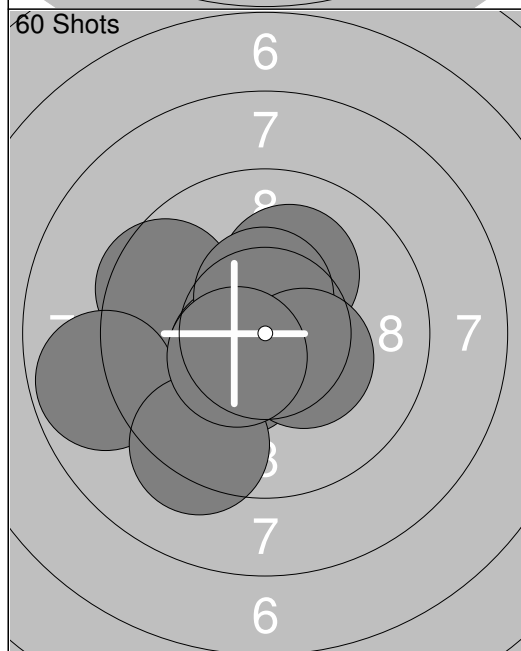
60 Shots 	21: 10.7x ↓ 22: 10.7x ↑ 23: 9.7 ← 24: 9.9 ← 25: 10.3x ↑ 26: 10.7x ↑ 27: 10.7x ↙ 28: 10.4x ↙ 29: 10.5x ↘ 30: 10.9x ↗ Series 104.5 Total 307.8	60 Shots 	31: 10.5x ↗ 32: 10.5x ← 33: 10.8x ↙ 34: 9.9 ↗ 35: 10.3x ← 36: 10.1 ← 37: 10.3x ↘ 38: 10.8x ↘ 39: 9.9 ↓ 40: 10.2x → Series 103.3 Total 411.1
--------------	---	--------------	--



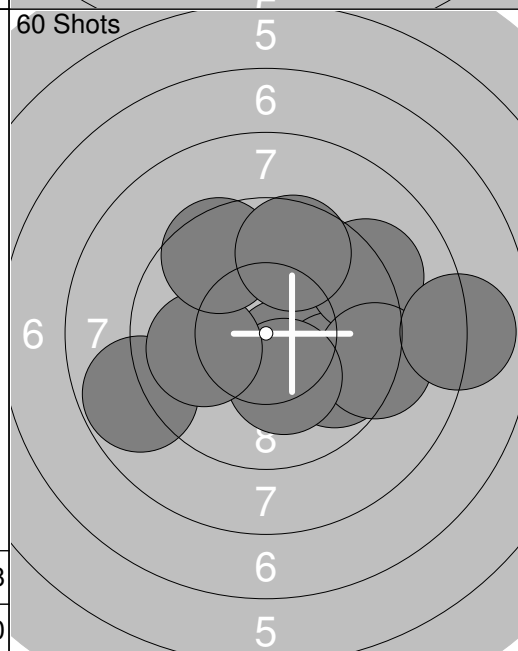
1: 9.6 ↙
2: 10.7x ↙
3: 10.1 ↙
4: 7.9 →
5: 10.1 ↙
6: 9.9 ↓
7: 9.7 ↙
8: 9.3 ↗
9: 10.1 →
10: 10.0 ↙
Series 97.4
Total 0.0



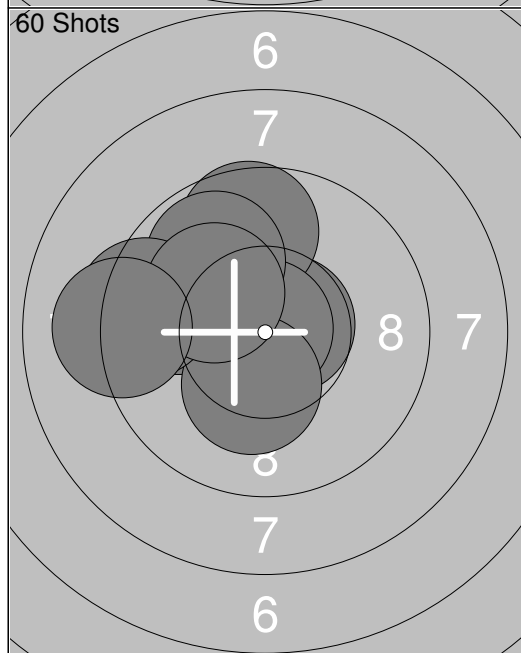
1: 9.1 ↗
2: 9.4 ↗
3: 9.8 ↙
4: 10.6x ↘
5: 9.9 ↓
6: 8.2 →
7: 10.8x ↘
8: 9.8 ↙
9: 10.5x ↗
10: 10.1 ↙
Series 98.2
Total 98.2



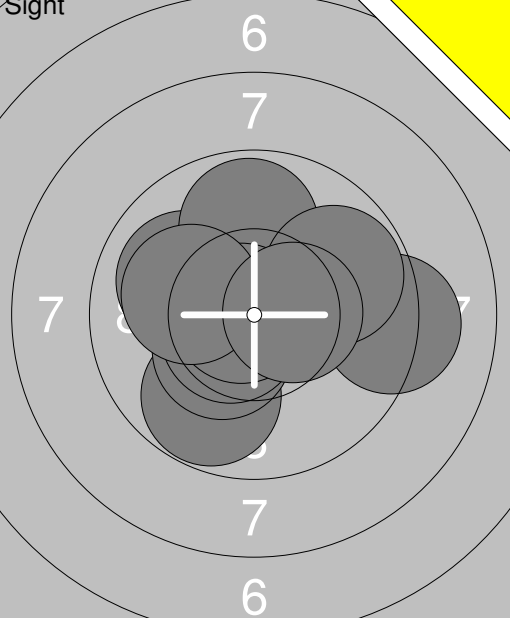
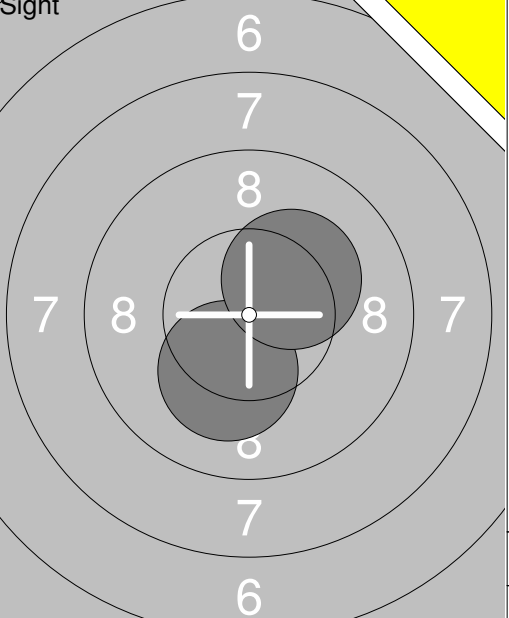
11: 10.7x ↗
12: 9.6 ↙
13: 10.4x ↘
14: 10.1 ↗
15: 10.5x ↘
16: 8.8 ↙
17: 10.5x ↗
18: 10.4x ↘
19: 9.3 ↘
20: 10.5x ↘
Series 100.8
Total 199.0

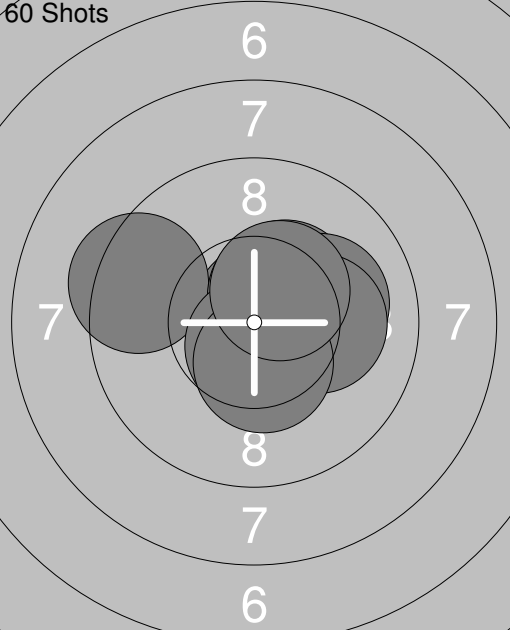
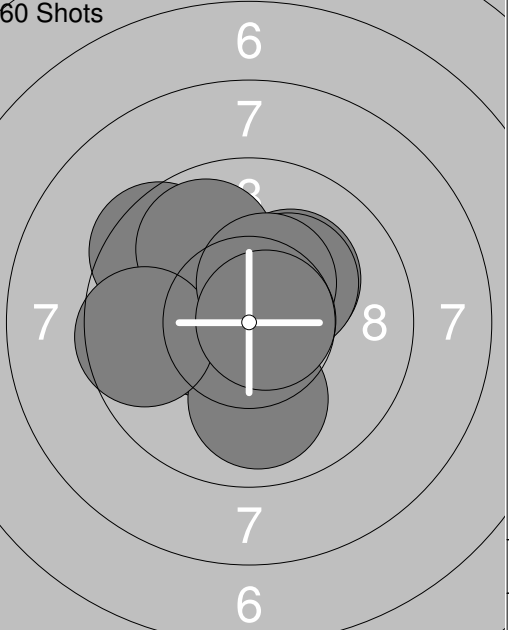


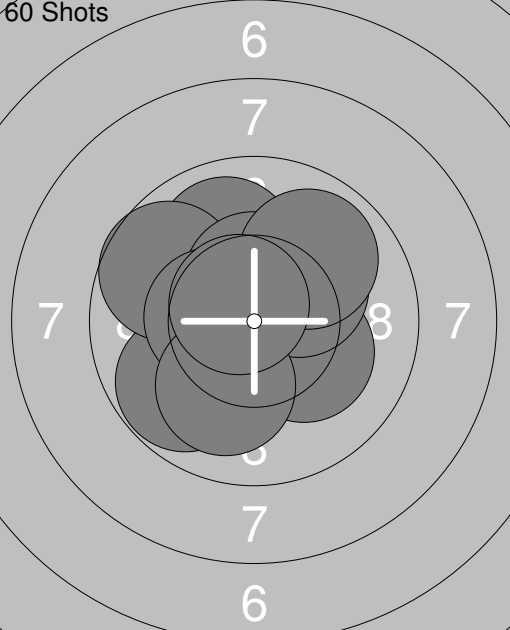
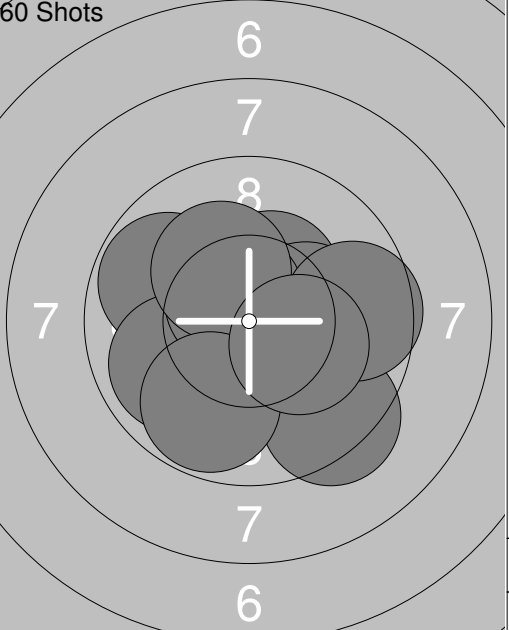
21: 10.5x ↘
22: 9.8 →
23: 9.2 ↗
24: 8.8 ↙
25: 9.2 →
26: 10.2x ↘
27: 10.0 ↙
28: 9.5 ↗
29: 9.6 ↗
30: 8.0 →
Series 94.8
Total 293.8

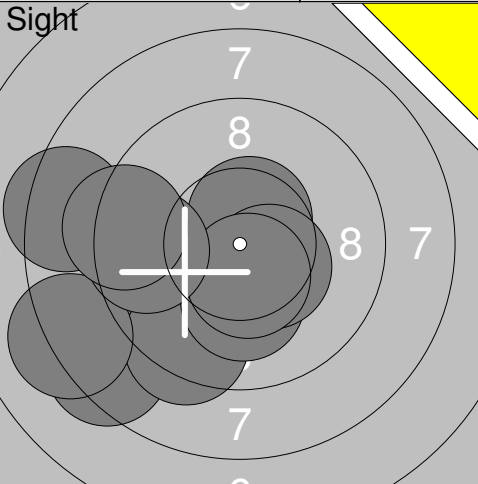
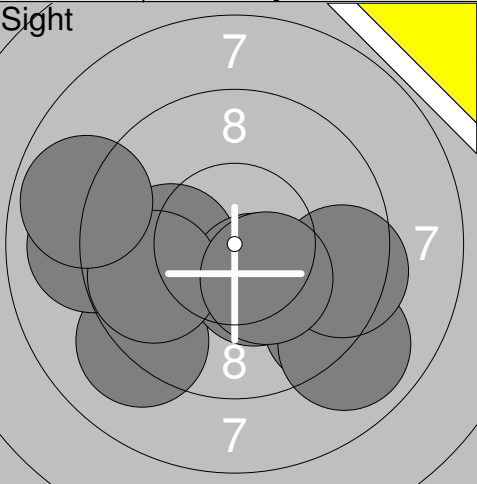
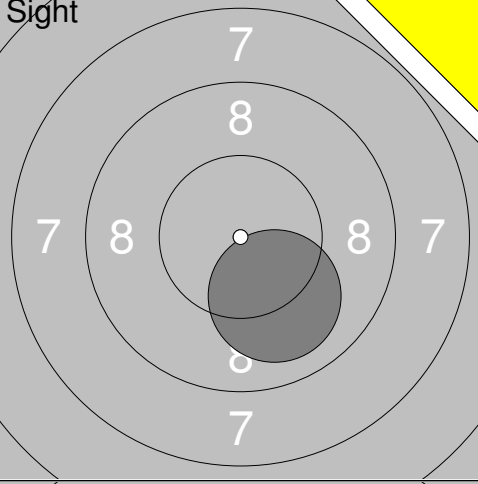
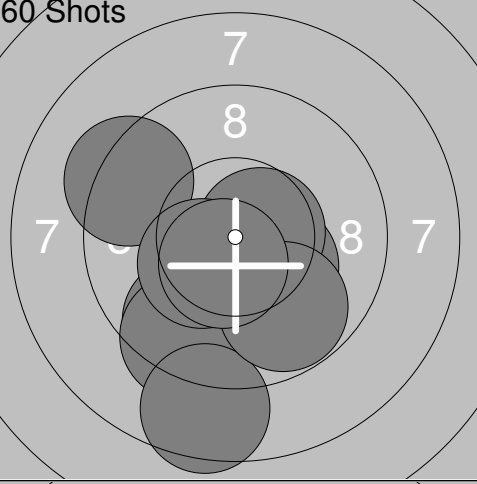
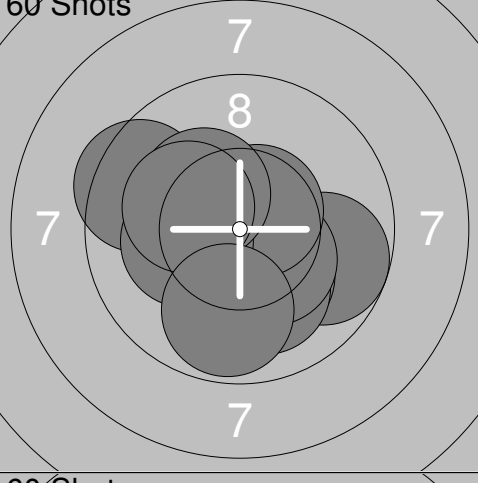
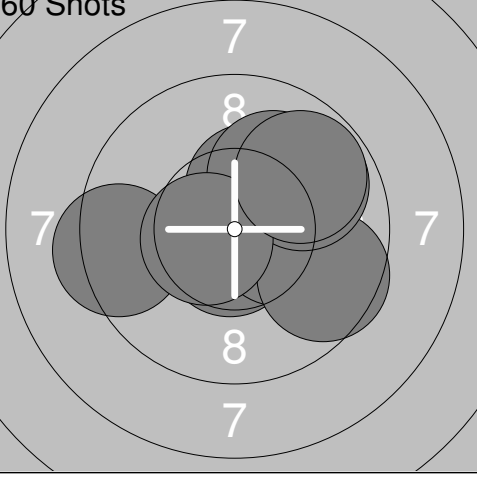
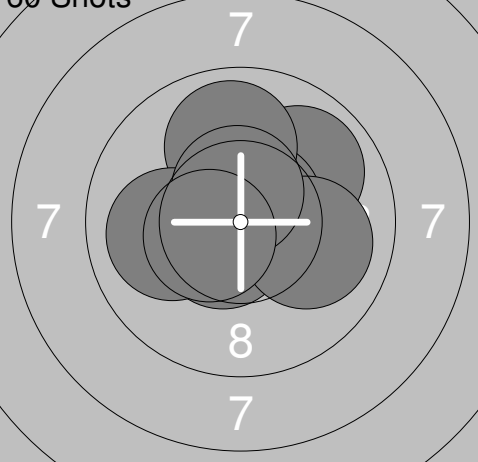


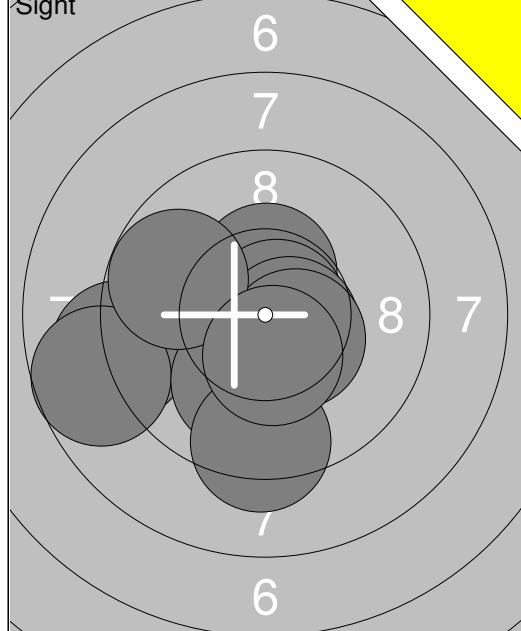
31: 10.7x →
32: 9.8 ↙
33: 9.6 ↗
34: 10.8x ↘
35: 10.9x ↗
36: 10.3x ↘
37: 9.8 ↗
38: 9.4 ↙
39: 10.1 ↙
40: 9.1 ↙
Series 100.5
Total 394.3

<p>Sight</p> 	<p>1: 9.8 ↘ 2: 10.4x ↙ 3: 10.6x ↙ 4: 10.0 ↖ 5: 9.2 → 6: 9.8 ↑ 7: 9.8 → 8: 10.8x ← 9: 10.1 ← 10: 10.5x →</p> <p>Series 101.0 Total 0.0</p>	<p>Sight</p> 	<p>11: 10.2x ↘ 12: 10.2x ↗</p> <p>Series 20.4 Total 0.0</p>
--	---	--	---

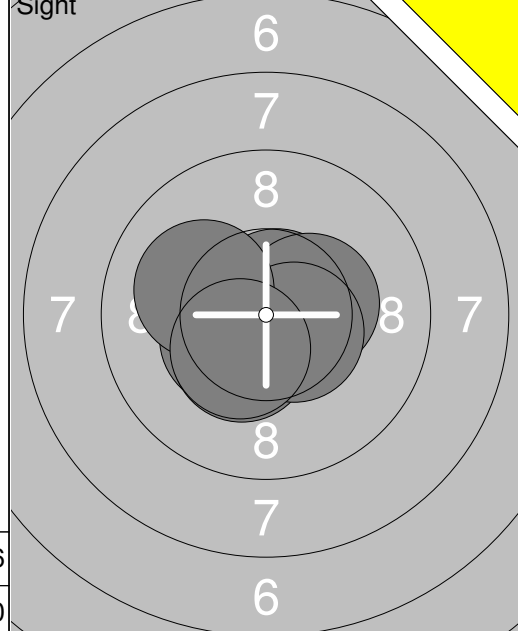
<p>60 Shots</p> 	<p>1: 10.5x → 2: 10.8x ↗ 3: 10.4x ↗ 4: 10.1 → 5: 9.4 ← 6: 10.5x ↗ 7: 10.6x ↓ 8: 10.1 → 9: 10.4x ↓ 10: 10.4x ↗</p> <p>Series 103.2 Total 103.2</p>	<p>60 Shots</p> 	<p>11: 10.6x ↗ 12: 10.4x ← 13: 9.5 ↖ 14: 10.2x ↗ 15: 10.0 ↓ 16: 9.9 ↖ 17: 9.6 ← 18: 10.2x ↗ 19: 10.4x ↗ 20: 10.7x →</p> <p>Series 101.5 Total 204.7</p>
--	---	--	---

<p>60 Shots</p> 	<p>21: 10.2x ↘ 22: 9.9 ↖ 23: 10.2x ↗ 24: 9.8 ↙ 25: 9.7 ↖ 26: 10.4x ↑ 27: 9.9 ↗ 28: 10.4x ← 29: 10.1 ↓ 30: 10.7x ↖</p> <p>Series 101.3 Total 306.0</p>	<p>60 Shots</p> 	<p>31: 9.4 ↘ 32: 9.8 ↖ 33: 10.4x ↗ 34: 10.2x → 35: 9.9 ↙ 36: 10.6x ↖ 37: 9.6 → 38: 10.2x ↖ 39: 9.8 ↓ 40: 10.2x →</p> <p>Series 100.1 Total 406.1</p>
---	---	---	--

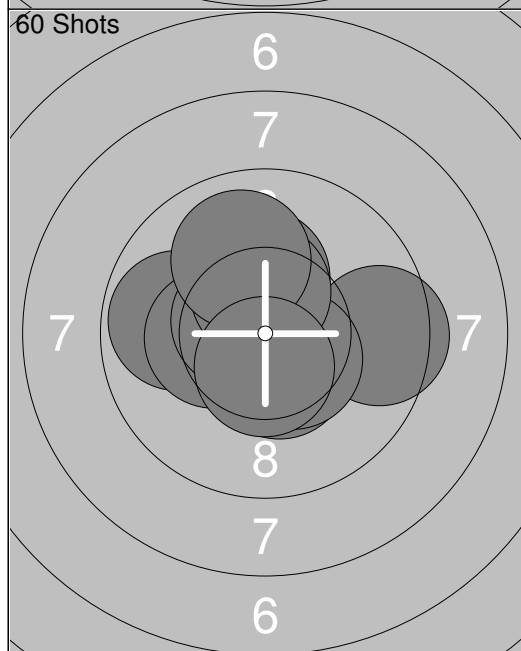
Relay	Lane	Natalié Eliasson	
S		Strömsund SG	
10.10.2015		UME-Skottet 2015	Umeå skytteallians
Sight		1: 8.4 ↙ 2: 9.3 ↓ 3: 8.2 ← 4: 10.2x ↓ 5: 8.4 ← 6: 10.6x ↗ 7: 10.4x ↘ 8: 10.5x ↓ 9: 9.6 ← 10: 9.3 ← Series 94.9 Total 0.0	Sight  11: 10.1 ← 12: 9.1 ↘ 13: 10.4x ↓ 14: 9.3 ↘ 15: 9.0 ← 16: 9.8 ← 17: 8.9 ↘ 18: 8.9 ← 19: 9.5 → 20: 10.3x ↓ Series 95.3 Total 0.0
Sight		21: 10.0 ↓ Series 10.0 Total 0.0	60 Shots  1: 10.3x ↓ 2: 10.3x ↘ 3: 9.3 ↗ 4: 9.6 ↓ 5: 9.4 ↓ 6: 10.6x → 7: 10.4x ← 8: 8.5 ↓ 9: 9.8 ↓ 10: 10.5x ↓ Series 98.7 Total 98.7
60 Shots		11: 9.7 → 12: 10.2x ↓ 13: 10.1 ↓ 14: 10.4x ↓ 15: 9.5 ← 16: 10.6x ↗ 17: 10.2x ← 18: 10.3x ↗ 19: 10.2x ← 20: 9.8 ↓ Series 101.0 Total 199.7	60 Shots  21: 10.4x → 22: 10.4x ↗ 23: 10.7x ↓ 24: 9.4 ← 25: 10.1 ↗ 26: 10.3x → 27: 9.6 → 28: 9.9 ↗ 29: 10.6x ← 30: 9.8 ↗ Series 101.2 Total 300.9
60 Shots		31: 10.6x ↘ 32: 10.5x ↗ 33: 10.3x ← 34: 9.9 ↗ 35: 10.6x ↗ 36: 10.0 → 37: 9.9 ↑ 38: 10.0 ← 39: 10.5x ↑ 40: 10.5x ← Series 102.8 Total 403.7	



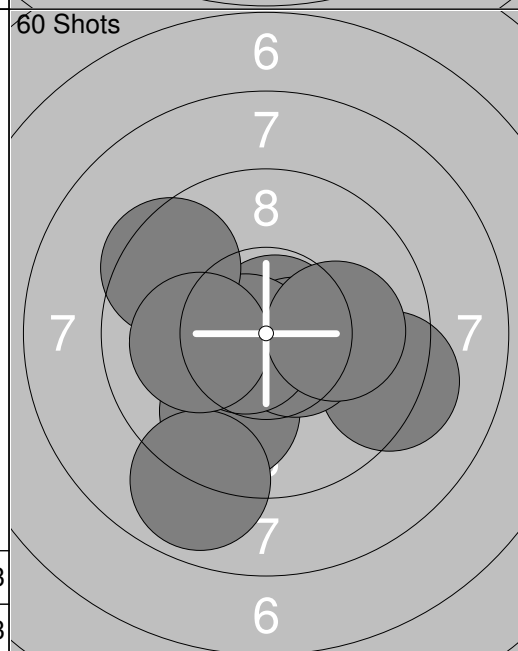
1: 9.0	←
2: 8.7	←
3: 10.4x	↑
4: 10.8x	→
5: 10.6x	→
6: 10.5x	→
7: 10.1	↓
8: 9.3	↓
9: 9.8	←
10: 10.4x	↓
Series	99.6
Total	0.0



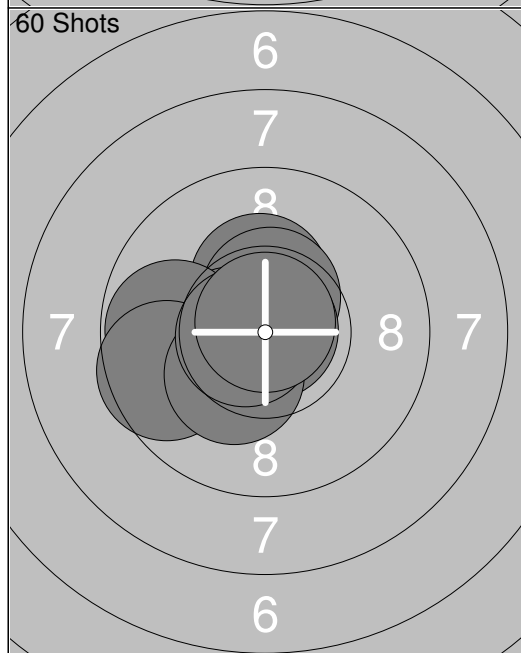
11: 10.4x	↙
12: 10.4x	↘
13: 10.7x	↗
14: 10.4x	→
15: 10.5x	→
16: 10.1	←
17: 10.4x	↘
Series	72.9
Total	0.0



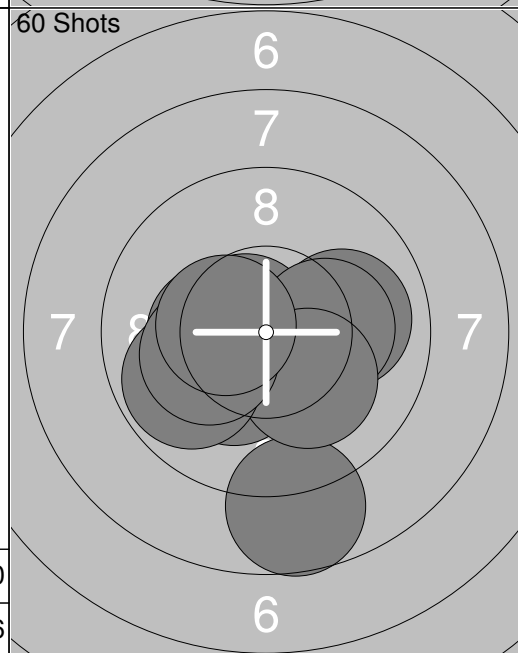
1: 10.2x	↑
2: 9.8	←
3: 9.5	→
4: 10.3x	←
5: 10.5x	↓
6: 10.5x	↓
7: 10.6x	↖
8: 10.4x	↑
9: 10.0	↑
10: 10.5x	↓
Series	102.3
Total	102.3



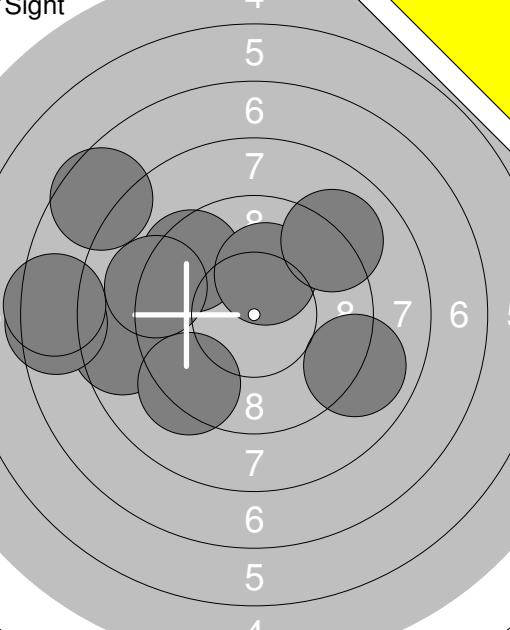
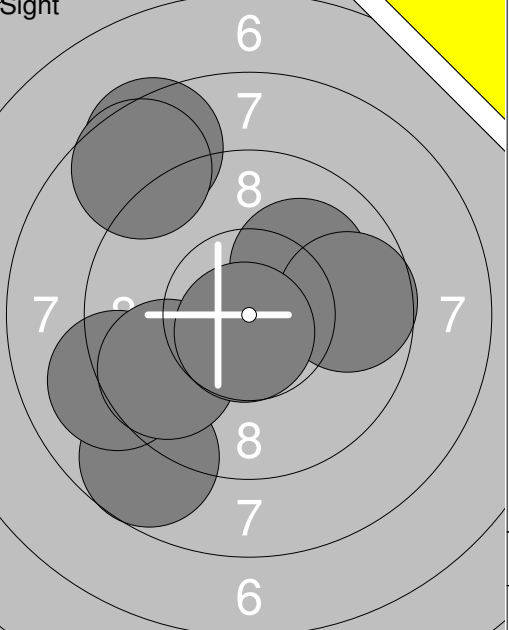
11: 10.6x	↙
12: 10.8x	↗
13: 9.8	↓
14: 8.9	↓
15: 9.3	→
16: 10.5x	→
17: 10.7x	↙
18: 9.5	↖
19: 10.1	←
20: 10.1	→
Series	100.3
Total	202.6



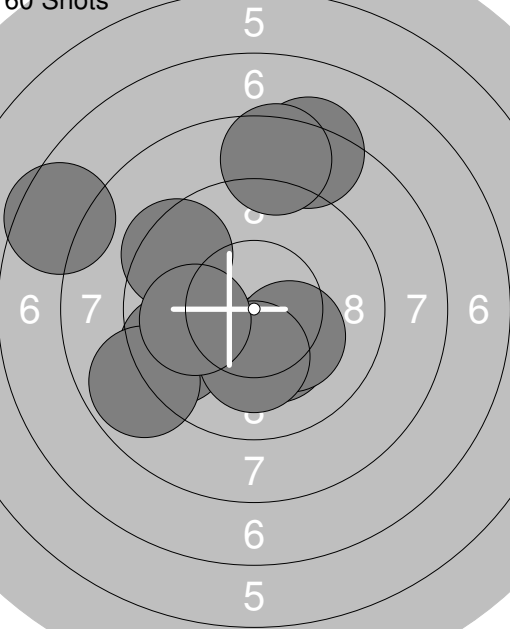
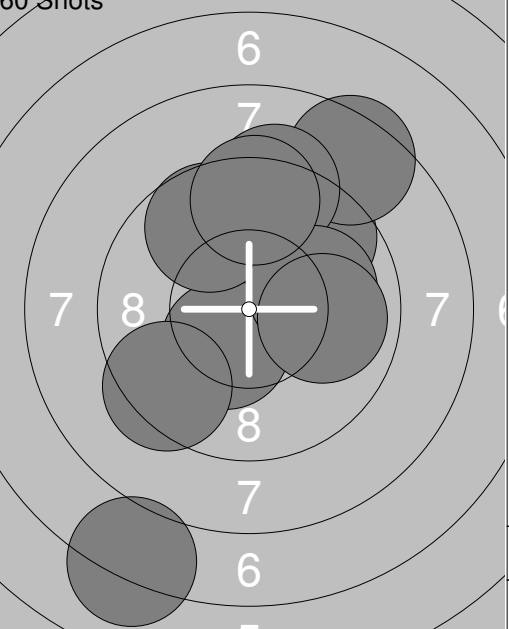
21: 10.6x	←
22: 10.3x	↑
23: 10.5x	↑
24: 10.5x	←
25: 9.8	←
26: 10.9x	↗
27: 9.6	←
28: 10.3x	↘
29: 10.7x	←
30: 10.8x	↑
Series	104.0
Total	306.6

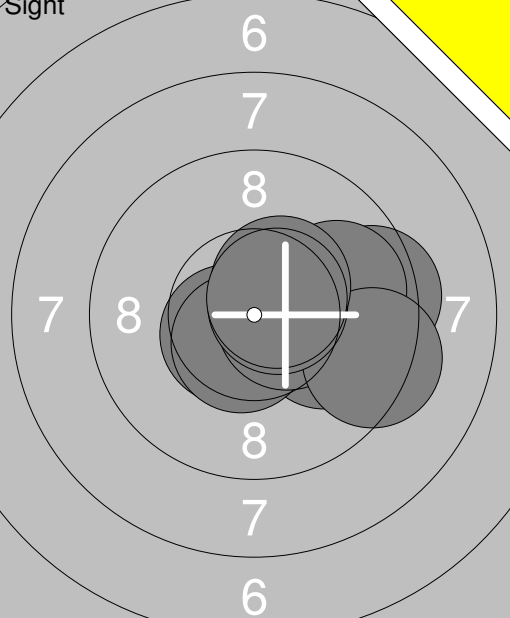
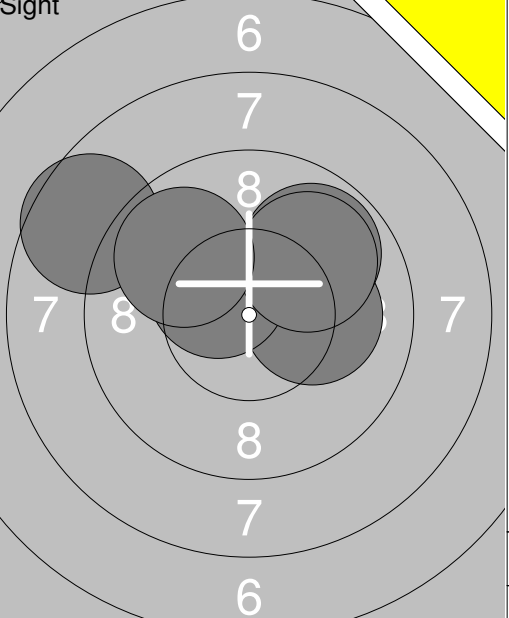


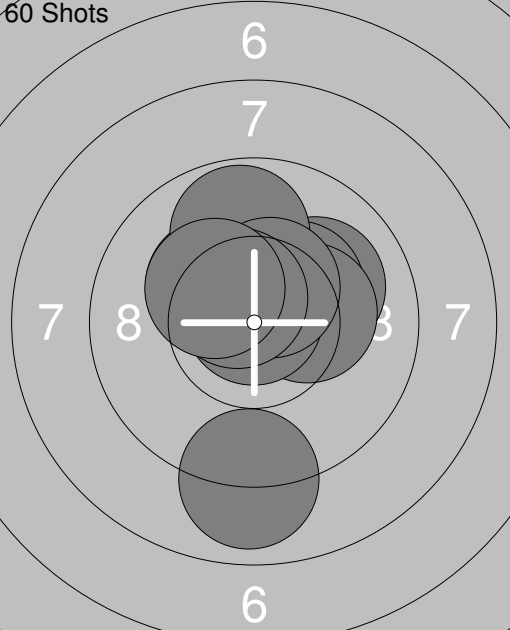
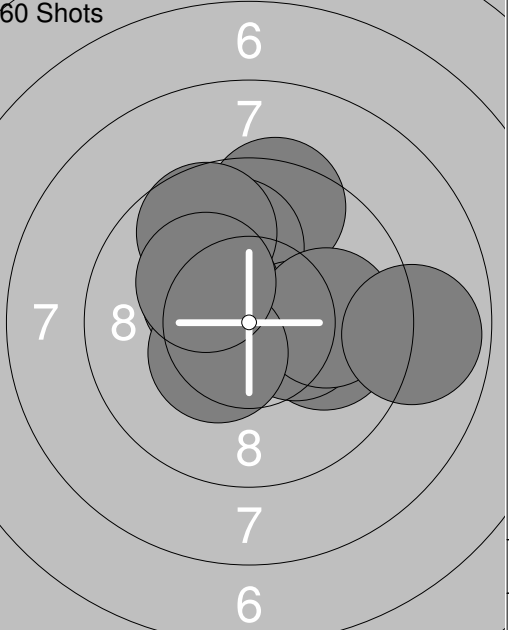
31: 10.0	→
32: 10.3x	↘
33: 10.7x	↖
34: 8.7	↓
35: 10.2x	→
36: 10.3x	←
37: 10.2x	↘
38: 9.8	←
39: 10.2x	↙
40: 10.4x	↙
Series	100.8
Total	407.4

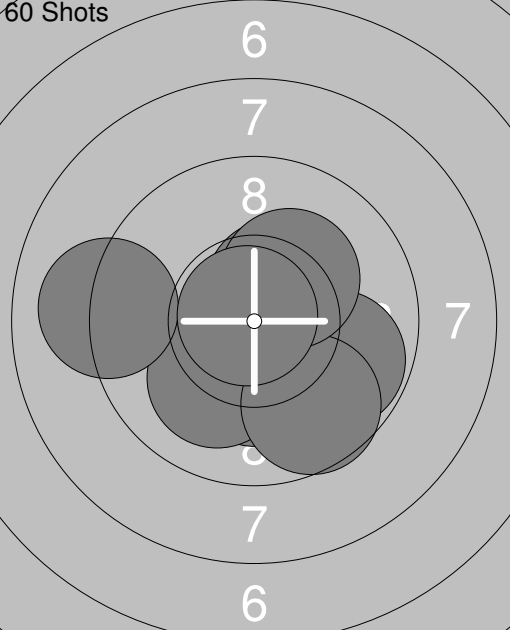
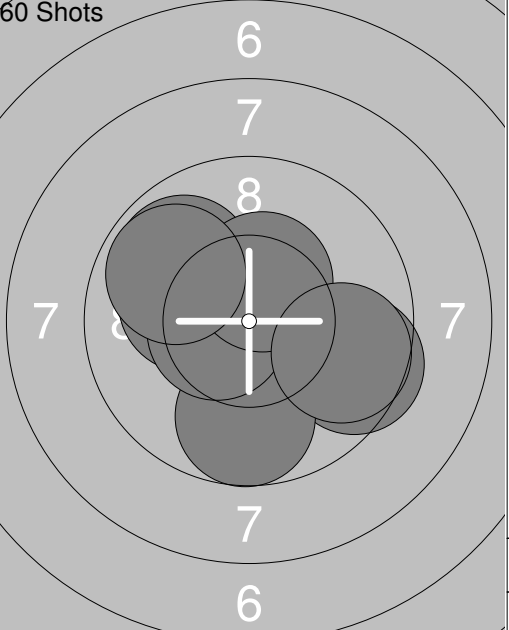
<p>Sight</p> 	<p>1: 9.0 →</p> <p>2: 7.6 ↗</p> <p>3: 8.6 ←</p> <p>4: 7.5 ←</p> <p>5: 9.5 ↗</p> <p>6: 10.2x ↑</p> <p>7: 7.4 ←</p> <p>8: 9.3 ↘</p> <p>9: 9.2 ←</p> <p>10: 9.1 ↗</p>	<p>Sight</p> 	<p>11: 8.7 ↘</p> <p>12: 9.1 ↙</p> <p>13: 10.1 ↗</p> <p>14: 9.7 ↙</p> <p>15: 9.7 →</p> <p>16: 10.7x ↓</p> <p>17: 8.5 ↗</p> <p>18: 8.6 ↗</p>
Series	87.4	Series	75.1
Total	0.0	Total	0.0

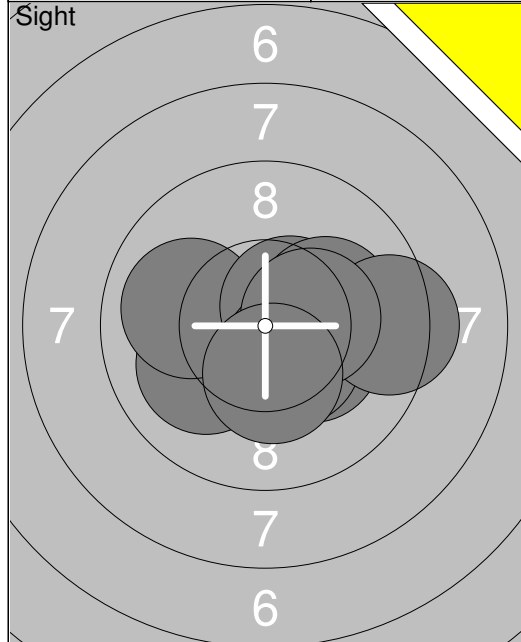
<p>60 Shots</p> 	<p>1: 7.8 ←</p> <p>2: 8.8 ↗</p> <p>3: 8.6 ↘</p> <p>4: 6.9 ↗</p> <p>5: 6.7 →</p> <p>6: 8.6 →</p> <p>7: 8.2 ↗</p> <p>8: 9.3 →</p> <p>9: 9.7 ↗</p> <p>10: 8.8 ↗</p>	<p>60 Shots</p> 	<p>11: 8.9 ↗</p> <p>12: 9.0 ←</p> <p>13: 10.2x →</p> <p>14: 10.4x →</p> <p>15: 9.7 →</p> <p>16: 10.0 ↙</p> <p>17: 10.1 →</p> <p>18: 10.4x ↗</p> <p>19: 8.3 ↙</p> <p>20: 8.2 ↓</p>
Series	83.4	Series	95.2
Total	83.4	Total	178.6

<p>60 Shots</p> 	<p>21: 7.5 ←</p> <p>22: 8.3 ↑</p> <p>23: 9.4 ↗</p> <p>24: 9.5 ←</p> <p>25: 8.8 ↙</p> <p>26: 10.3x ↓</p> <p>27: 10.2x ↘</p> <p>28: 8.5 ↑</p> <p>29: 10.2x ↓</p> <p>30: 10.0 ←</p>	<p>60 Shots</p> 	<p>31: 10.4x ↘</p> <p>32: 9.6 ↗</p> <p>33: 9.7 ↗</p> <p>34: 8.5 ↗</p> <p>35: 9.3 ↑</p> <p>36: 10.0 →</p> <p>37: 7.1 ↓</p> <p>38: 9.9 →</p> <p>39: 9.4 ↙</p> <p>40: 9.4 ↑</p>
Series	92.7	Series	93.3
Total	271.3	Total	364.6

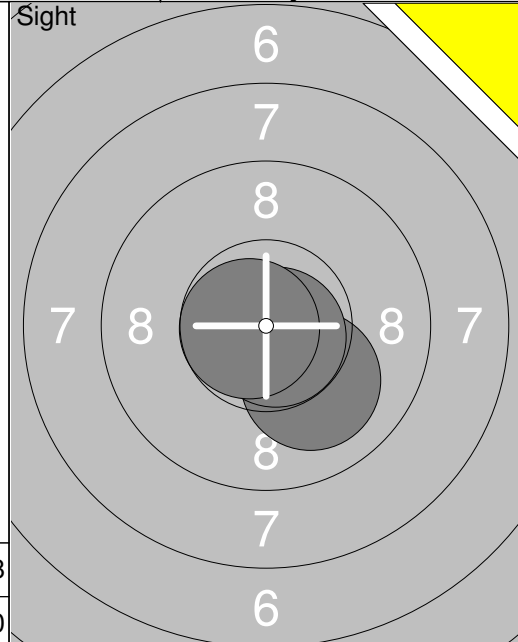
<p>Sight</p> 	<p>1: 10.0 →</p> <p>2: 9.4 →</p> <p>3: 10.6x ↙</p> <p>4: 10.6x ↘</p> <p>5: 9.9 →</p> <p>6: 10.5x →</p> <p>7: 9.3 →</p> <p>8: 10.6x →</p> <p>9: 10.4x ↗</p> <p>10: 10.6x ↗</p>	<p>Sight</p> 	<p>11: 10.1 →</p> <p>12: 10.4x ↖</p> <p>13: 8.6 ↖</p> <p>14: 9.8 ↗</p> <p>15: 9.9 ↗</p> <p>16: 9.8 ↖</p>
Series 101.9		Series 58.6	
Total 0.0		Total 0.0	

<p>60 Shots</p> 	<p>1: 10.1 ↗</p> <p>2: 10.3x ↗</p> <p>3: 10.3x →</p> <p>4: 10.3x ↖</p> <p>5: 10.9x ↑</p> <p>6: 9.8 ↑</p> <p>7: 10.5x ↗</p> <p>8: 10.6x ↖</p> <p>9: 10.3x ↖</p> <p>10: 8.9 ↓</p>	<p>60 Shots</p> 	<p>11: 9.4 ↑</p> <p>12: 10.0 →</p> <p>13: 10.0 ↑</p> <p>14: 9.7 ↗</p> <p>15: 10.3x →</p> <p>16: 10.4x ↖</p> <p>17: 10.0 →</p> <p>18: 10.4x ↘</p> <p>19: 8.9 →</p> <p>20: 10.2x ↖</p>
Series 102.0		Series 99.3	
Total 102.0		Total 201.3	

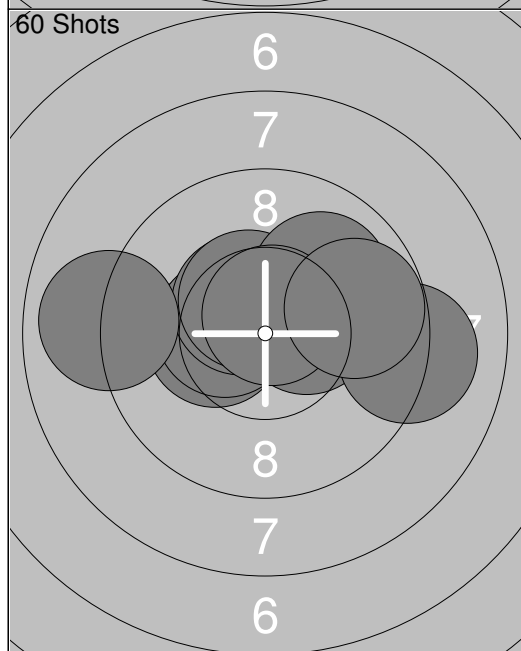
<p>60 Shots</p> 	<p>21: 10.2x ↓</p> <p>22: 10.9x →</p> <p>23: 10.6x ↘</p> <p>24: 10.1 ↘</p> <p>25: 10.5x ↗</p> <p>26: 9.8 →</p> <p>27: 9.1 ←</p> <p>28: 9.7 ↘</p> <p>29: 10.2x ↗</p> <p>30: 10.8x ↖</p>	<p>60 Shots</p> 	<p>31: 10.5x ↖</p> <p>32: 10.1 ↖</p> <p>33: 9.5 →</p> <p>34: 10.5x ↗</p> <p>35: 9.7 ↓</p> <p>36: 9.9 ↖</p> <p>37: 10.5x ↖</p> <p>38: 10.4x ↗</p> <p>39: 9.8 ↖</p> <p>40: 9.7 →</p>
Series 101.9		Series 100.6	
Total 303.2		Total 403.8	



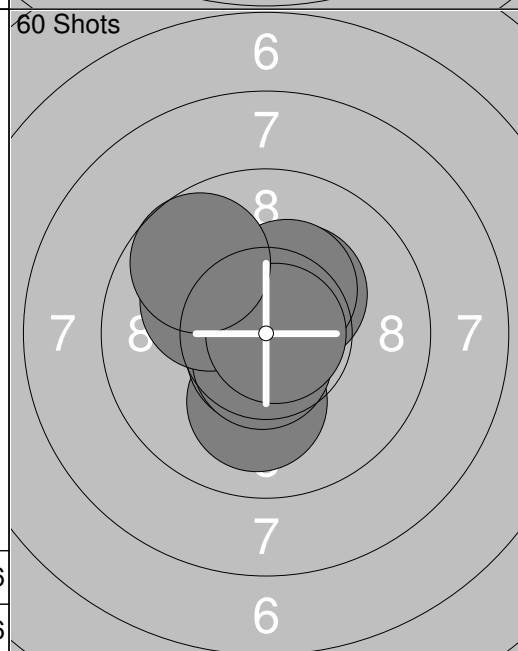
1: 10.3x →
2: 10.3x ←
3: 10.1 ↙
4: 10.0 ←
5: 10.5x ↗
6: 10.1 →
7: 10.4x ↘
8: 9.4 →
9: 10.4x →
10: 10.3x ↓
Series 101.8
Total 0.0



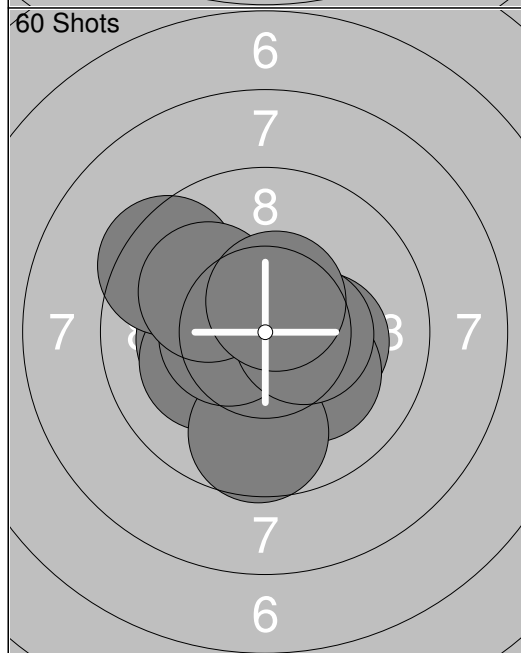
11: 10.1 ↘
12: 10.8x ↘
13: 10.7x ←
Series 31.6
Total 0.0



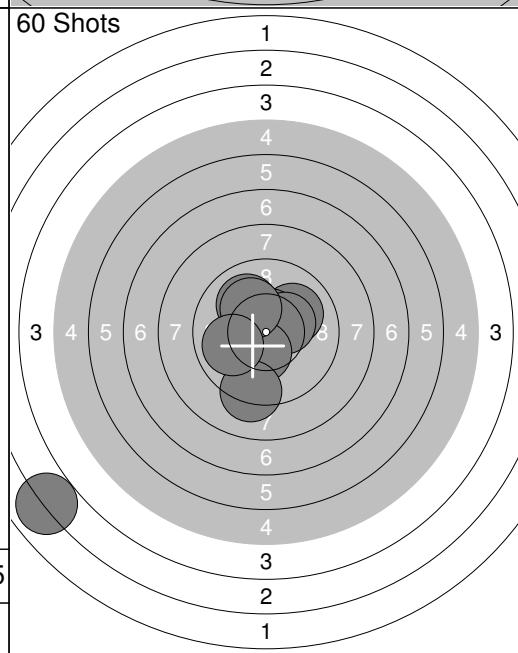
1: 10.3x ←
2: 10.4x ←
3: 10.5x ↖
4: 10.4x →
5: 9.1 →
6: 10.5x ↖
7: 10.0 ↗
8: 10.7x ↗
9: 9.8 →
10: 8.9 ←
Series 100.6
Total 100.6



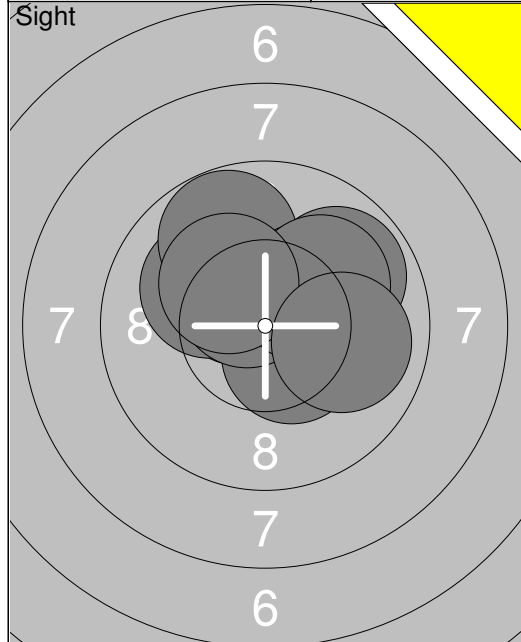
11: 10.9x ↘
12: 10.1 ↓
13: 10.3x ↗
14: 10.5x ↖
15: 10.7x ↘
16: 10.3x ↗
17: 10.6x ↘
18: 10.1 ↖
19: 10.8x →
20: 9.7 ↖
Series 104.0
Total 204.6



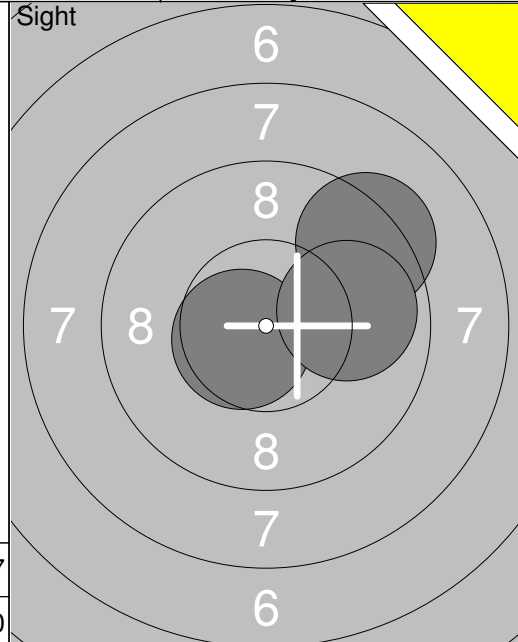
21: 10.2x ←
22: 10.3x →
23: 10.2x ↘
24: 10.1 ←
25: 9.4 ↖
26: 9.7 ↓
27: 10.5x ←
28: 10.5x →
29: 10.1 ↖
30: 10.5x ↗
Series 101.5
Total 306.1



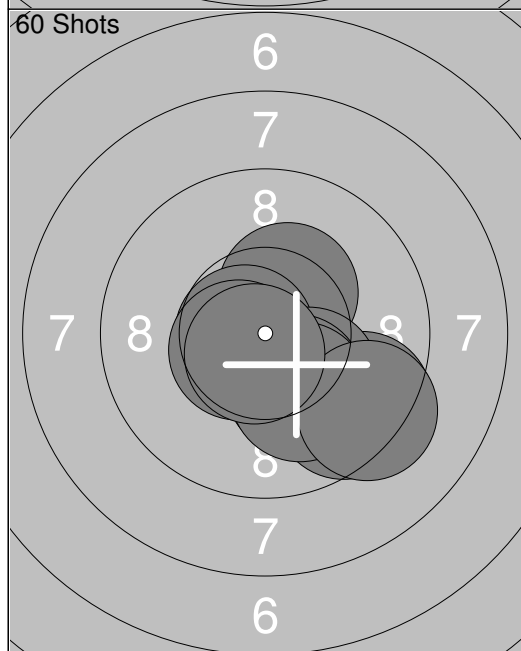
31: 10.0 ↗
32: 10.0 ↖
33: 2.9 ↙
34: 10.6x ↗
35: 10.3x ↖
36: 10.4x →
37: 10.4x ↘
38: 10.1 ↖
39: 9.2 ↓
40: 9.9 ←
Series 93.8
Total 399.9



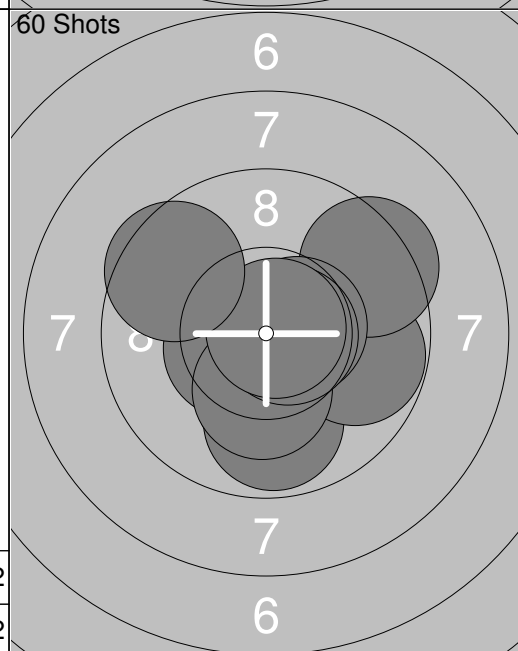
1:	10.4x ↗
2:	10.1 ↗
3:	9.8 ↗
4:	10.5x ↘
5:	10.5x ↗
6:	10.3x ↗
7:	9.8 ↗
8:	10.1 ↗
9:	10.2x ↗
10:	10.0 →
Series 101.7	
Total 0.0	



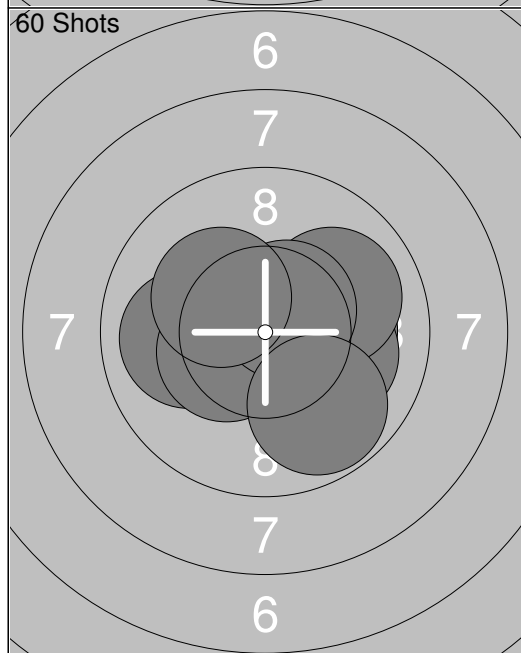
11:	9.3 ↗
12:	10.6x ↙
13:	9.9 →
Series 29.8	
Total 0.0	



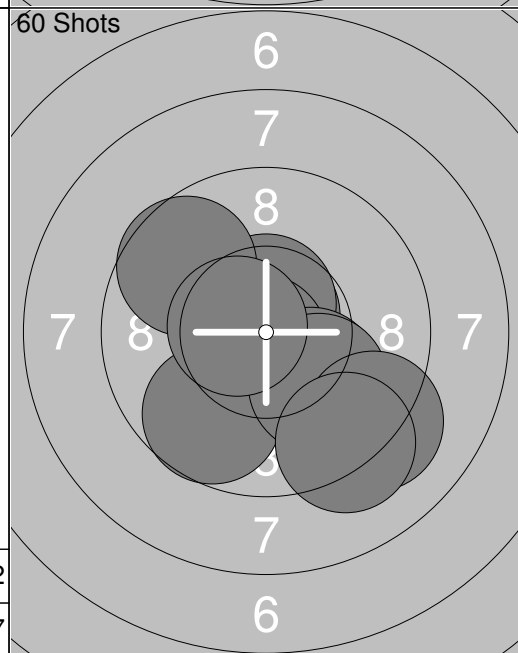
1:	9.4 ↘
2:	10.4x ↗
3:	10.7x ↙
4:	9.6 ↘
5:	10.2x ↘
6:	10.6x ↙
7:	10.2x ↘
8:	10.1 ↘
9:	9.3 ↘
10:	10.7x ↘
Series 101.2	
Total 101.2	



11:	10.1 ↓
12:	9.8 ↓
13:	10.5x ↙
14:	9.8 →
15:	9.4 ↗
16:	10.5x →
17:	10.2x ↓
18:	10.7x →
19:	10.8x →
20:	9.5 ↙
Series 101.3	
Total 202.5	



21:	10.2x →
22:	10.7x ↗
23:	10.2x →
24:	10.1 →
25:	10.0 ↗
26:	10.0 ←
27:	10.4x ↙
28:	10.6x ↗
29:	10.2x ↗
30:	9.8 ↘
Series 102.2	
Total 304.7	

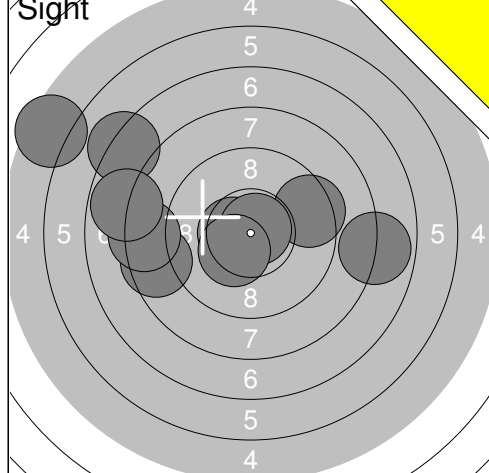


31:	10.7x ↗
32:	10.6x ↗
33:	9.6 ↙
34:	10.8x ↙
35:	10.1 ↘
36:	9.7 ↙
37:	10.0 ↘
38:	10.6x ↙
39:	9.2 ↘
40:	9.2 ↘
Series 100.5	
Total 405.2	

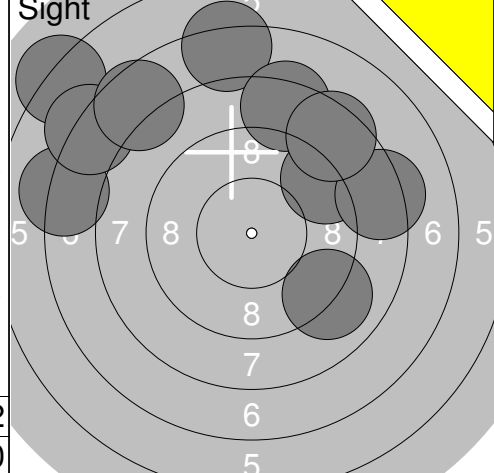
<p>Sight</p>	<p>Sight</p>
--------------	--------------

<p>60 Shots</p>	<p>60 Shots</p>
-----------------	-----------------

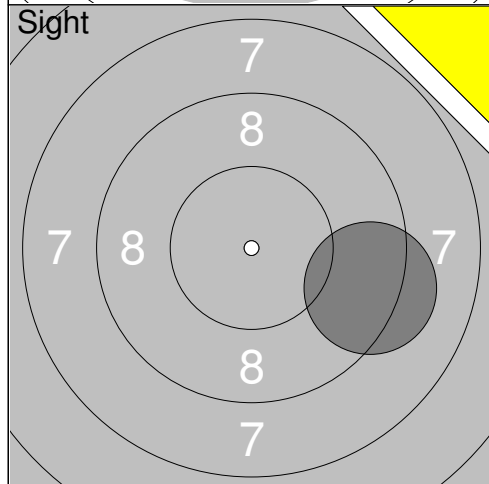
<p>60 Shots</p>	<p>60 Shots</p>
-----------------	-----------------



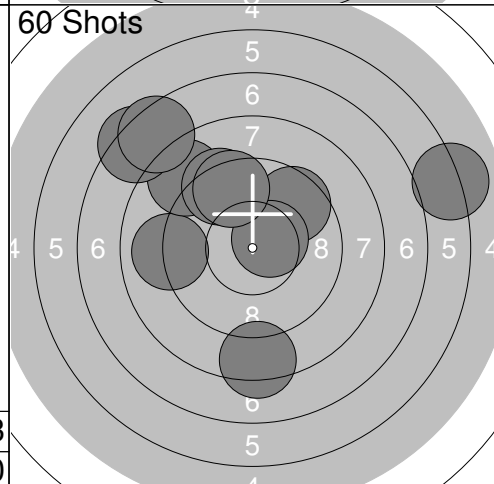
1:	9.4	→
2:	10.5x	←
3:	8.5	←
4:	7.2	↗
5:	8.3	←
6:	5.4	↖
7:	10.8x	↗
8:	7.8	←
9:	7.9	→
10:	10.4x	↙
Series	86.2	
Total	0.0	



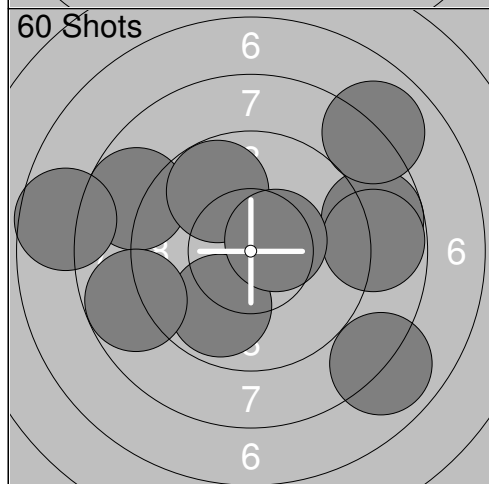
11:	6.1	↖
12:	7.2	←
13:	7.1	↖
14:	9.1	↗
15:	9.0	↘
16:	7.6	↖
17:	7.2	↑
18:	8.3	→
19:	8.4	↑
20:	8.5	↗
Series	78.5	
Total	0.0	



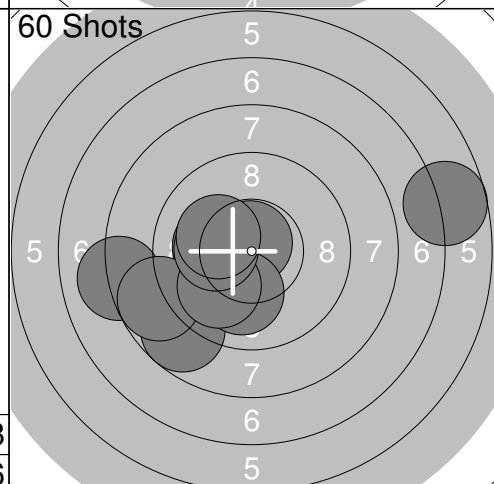
21:	9.3	→
Series	9.3	
Total	0.0	



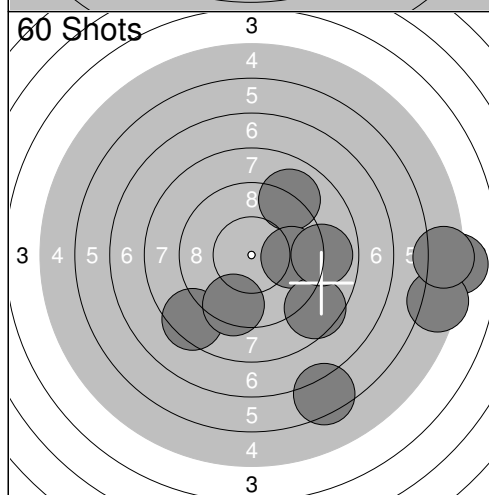
1:	9.6	↗
2:	9.0	←
3:	8.7	↗
4:	7.3	↗
5:	9.3	↗
6:	10.5x	↗
7:	9.5	↑
8:	7.5	↗
9:	8.3	↓
10:	6.1	→
Series	85.8	
Total	85.8	



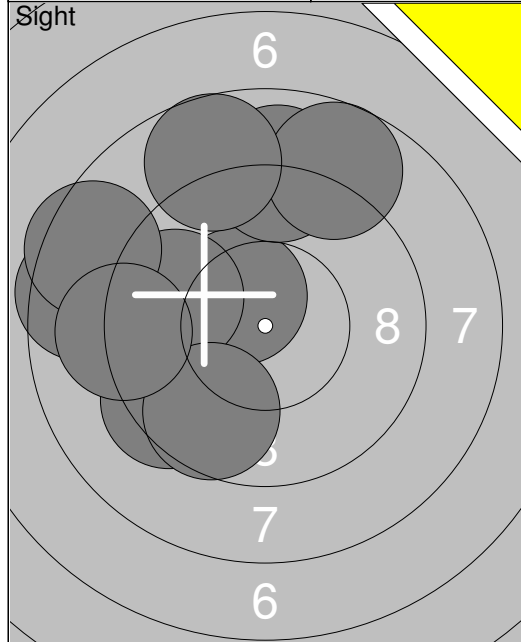
11:	7.9	↘
12:	8.7	←
13:	8.7	→
14:	7.7	←
15:	8.0	↗
16:	9.9	↘
17:	8.8	→
18:	9.8	↗
19:	8.8	←
20:	10.5x	→
Series	88.8	
Total	174.6	



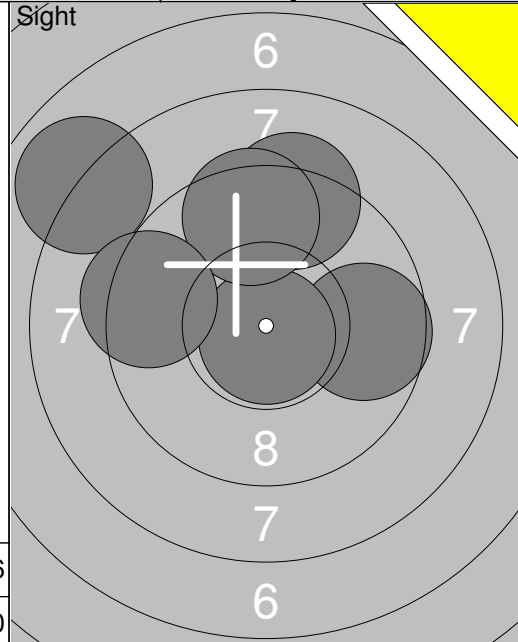
21:	10.8x	↑
22:	8.1	←
23:	10.2x	←
24:	8.7	↘
25:	10.1	↓
26:	8.7	←
27:	9.9	↘
28:	6.7	→
29:	10.2x	←
30:	10.2x	←
Series	93.6	
Total	268.2	



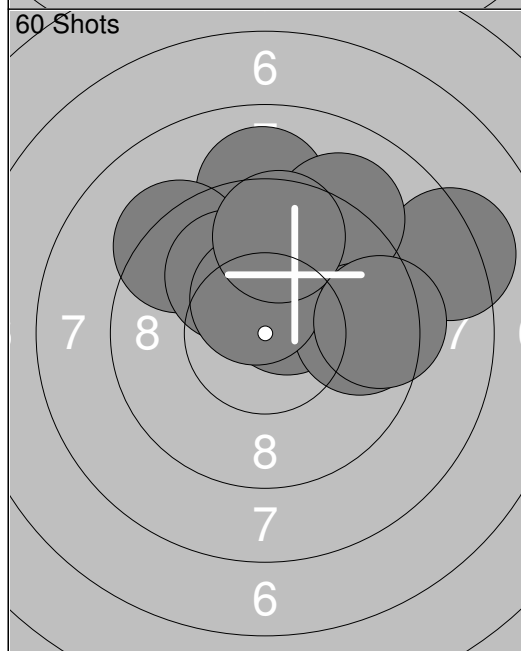
31:	8.4	↙
32:	9.0	↗
33:	5.0	→
34:	5.4	→
35:	9.8	→
36:	8.6	↘
37:	8.9	→
38:	9.4	↘
39:	6.4	↘
40:	5.4	→
Series	76.3	
Total	344.5	



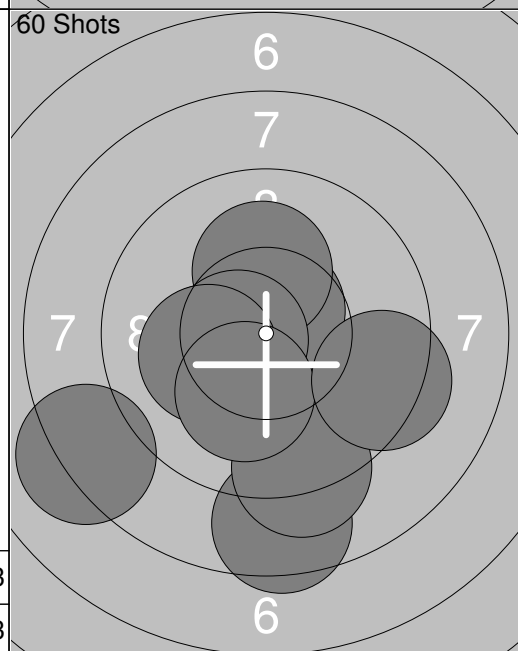
1:	10.4x ↖
2:	8.5 ←
3:	9.4 ↙
4:	9.7 ←
5:	9.0 ↑
6:	8.7 ↗
7:	9.6 ↘
8:	8.7 ↗
9:	8.5 ←
10:	9.1 ←
Series 91.6	
Total 0.0	



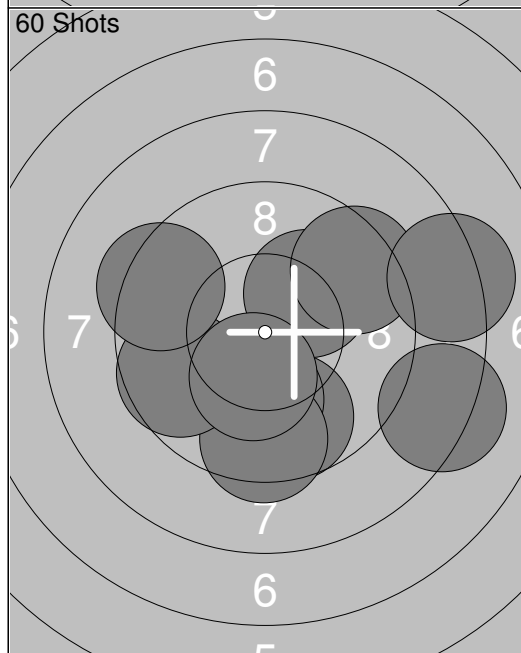
11:	7.9 ↖
12:	9.3 ↑
13:	9.7 →
14:	10.8x ↓
15:	9.5 ↑
16:	9.4 ←
Series 56.6	
Total 0.0	



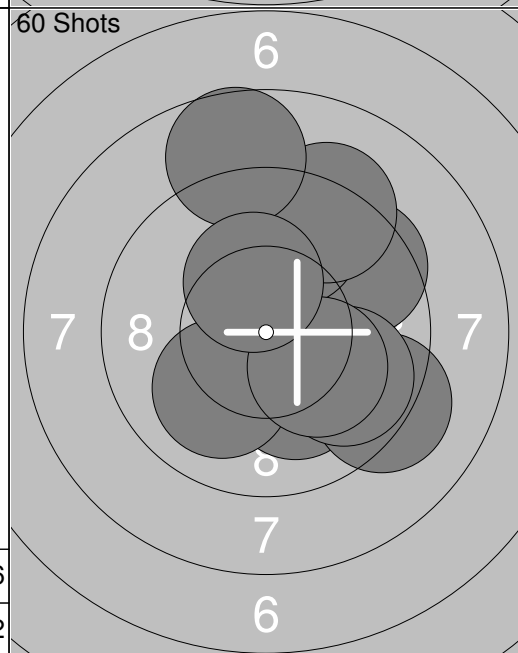
1:	9.0 ↑
2:	8.2 →
3:	9.3 ↖
4:	9.1 ↗
5:	10.5x ↗
6:	9.7 →
7:	10.0 ↖
8:	10.5x ↗
9:	9.6 ↑
10:	9.4 →
Series 95.3	
Total 95.3	



11:	8.5 ↓
12:	10.6x ↗
13:	10.2x ↑
14:	9.2 ↓
15:	10.2x ←
16:	8.2 ↙
17:	10.6x ←
18:	10.2x ←
19:	10.2x ↓
20:	9.4 →
Series 97.3	
Total 192.6	



21:	9.7 ↓
22:	10.0 ↓
23:	9.5 ↓
24:	9.6 ←
25:	10.2x ↗
26:	9.4 ←
27:	9.4 ↗
28:	8.2 →
29:	10.3x ↓
30:	8.3 →
Series 94.6	
Total 287.2	

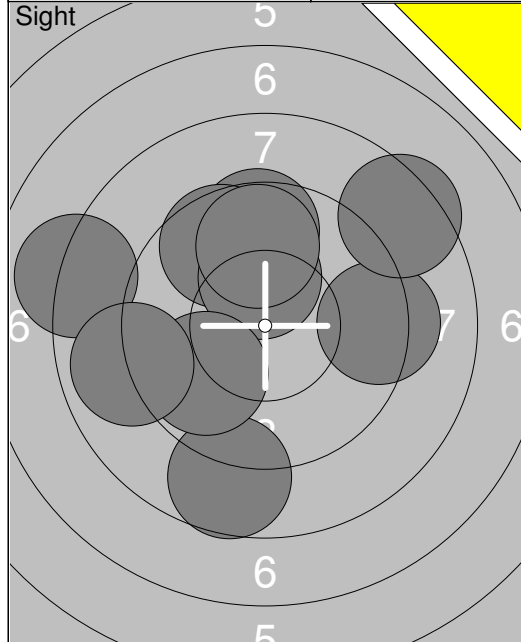


31:	10.1 ↓
32:	9.2 →
33:	10.0 ↙
34:	9.5 ↗
35:	9.8 →
36:	9.7 ↑
37:	10.2x ↘
38:	9.2 ↗
39:	8.7 ↑
40:	10.3x ↗
Series 96.7	
Total 383.9	

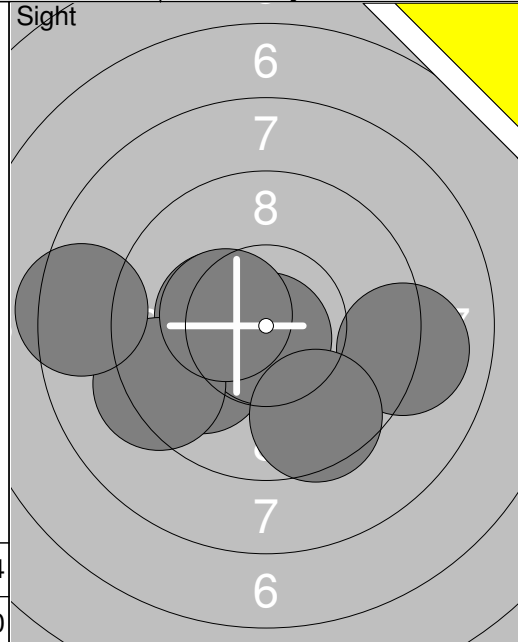
<p>Sight</p>	<p>Sight</p>								
<table border="1" style="margin: auto;"> <tr><td>Series</td><td>46.7</td></tr> <tr><td>Total</td><td>0.0</td></tr> </table>	Series	46.7	Total	0.0	<table border="1" style="margin: auto;"> <tr><td>Series</td><td>1.8</td></tr> <tr><td>Total</td><td>0.0</td></tr> </table>	Series	1.8	Total	0.0
Series	46.7								
Total	0.0								
Series	1.8								
Total	0.0								

<p>60 Shots</p>	<p>60 Shots</p>								
<table border="1" style="margin: auto;"> <tr><td>Series</td><td>48.7</td></tr> <tr><td>Total</td><td>48.7</td></tr> </table>	Series	48.7	Total	48.7	<table border="1" style="margin: auto;"> <tr><td>Series</td><td>49.1</td></tr> <tr><td>Total</td><td>97.8</td></tr> </table>	Series	49.1	Total	97.8
Series	48.7								
Total	48.7								
Series	49.1								
Total	97.8								

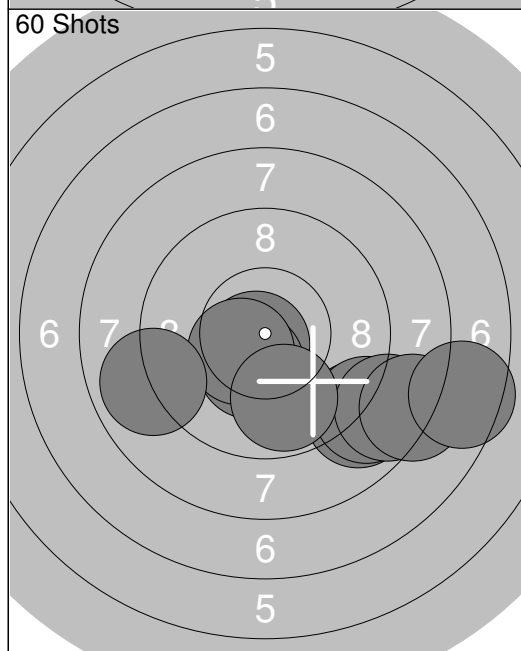
<p>60 Shots</p>	<p>60 Shots</p>								
<table border="1" style="margin: auto;"> <tr><td>Series</td><td>56.7</td></tr> <tr><td>Total</td><td>154.5</td></tr> </table>	Series	56.7	Total	154.5	<table border="1" style="margin: auto;"> <tr><td>Series</td><td>66.2</td></tr> <tr><td>Total</td><td>220.7</td></tr> </table>	Series	66.2	Total	220.7
Series	56.7								
Total	154.5								
Series	66.2								
Total	220.7								



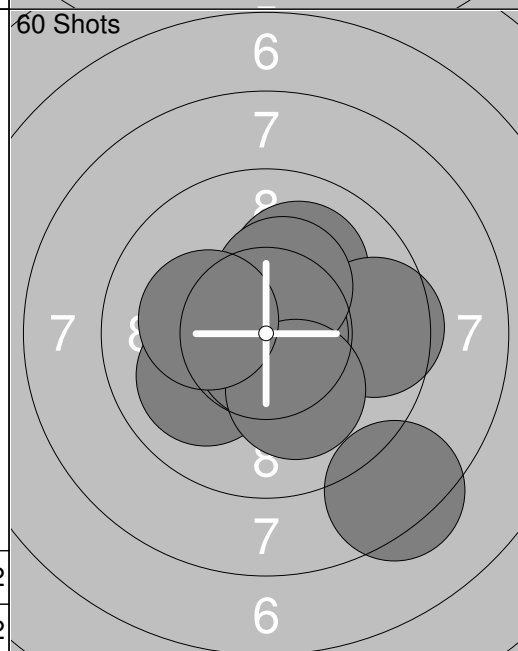
1: 9.3 →
2: 8.4 ↗
3: 9.6 ↑
4: 9.6 ↖
5: 8.1 ←
6: 10.2x ↑
7: 8.7 ↓
8: 9.8 ↙
9: 9.8 ↑
10: 8.9 ←
Series 92.4
Total 0.0



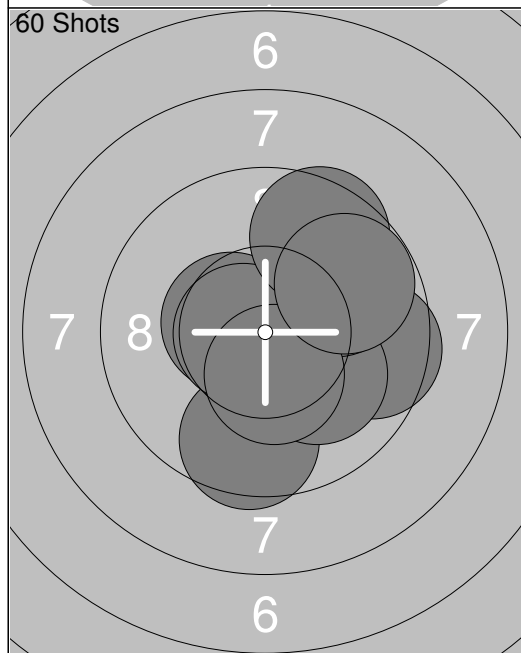
11: 9.9 ↖
12: 10.3x ↙
13: 10.8x ↓
14: 9.3 ↙
15: 9.1 →
16: 9.6 ↓
17: 10.4x ↙
18: 8.4 ←
Series 77.8
Total 0.0



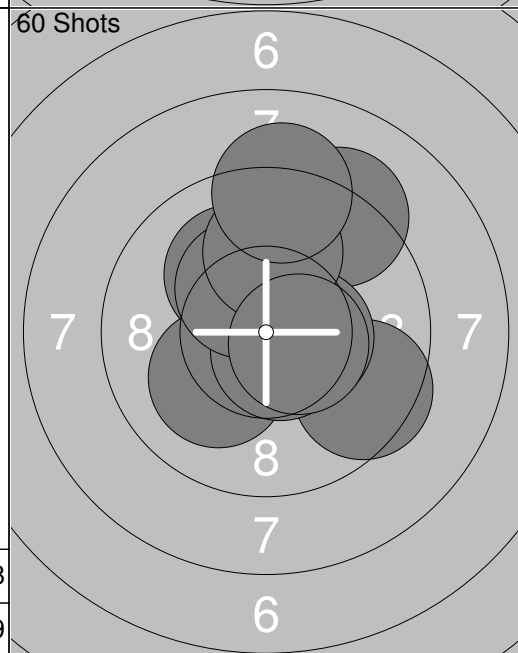
1: 10.7x ↙
2: 10.4x ↓
3: 10.4x ↙
4: 8.9 ←
5: 8.9 ↘
6: 8.8 ↘
7: 8.6 ↘
8: 8.2 ↘
9: 9.8 ↓
10: 7.5 →
Series 92.2
Total 92.2



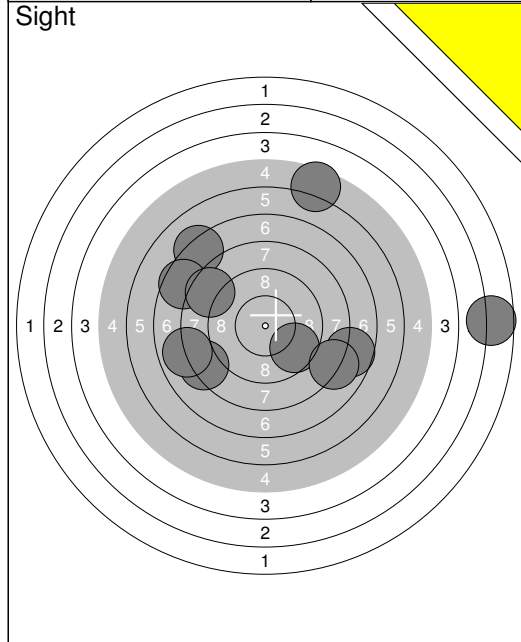
11: 10.7x →
12: 10.1 ↗
13: 9.6 →
14: 10.8x →
15: 10.0 ↙
16: 8.4 ↓
17: 10.7x ↓
18: 10.3x ↗
19: 10.1 ↓
20: 10.2x ↙
Series 100.9
Total 193.1



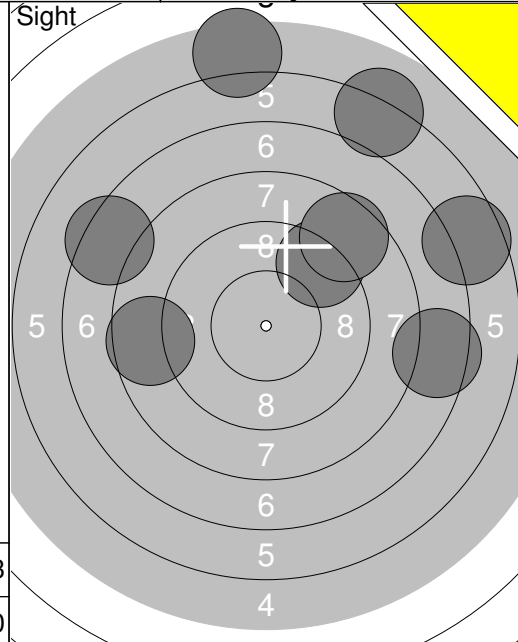
21: 9.6 →
22: 9.6 ↓
23: 10.7x ↓
24: 10.5x ↙
25: 10.7x ↙
26: 10.1 ↘
27: 9.9 ↗
28: 9.5 ↗
29: 10.4x ↓
30: 9.8 ↗
Series 100.8
Total 293.9



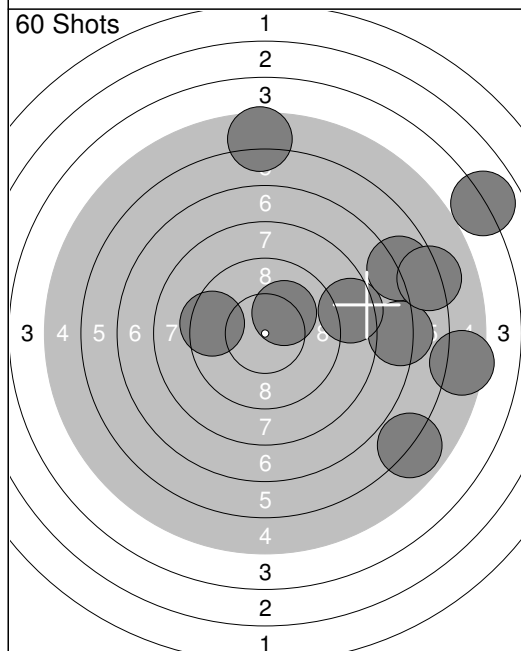
31: 10.1 ↖
32: 10.1 ↙
33: 9.2 ↗
34: 9.5 ↘
35: 10.5x →
36: 10.7x ↓
37: 10.3x ↗
38: 9.9 ↑
39: 9.2 ↑
40: 10.5x →
Series 100.0
Total 393.9



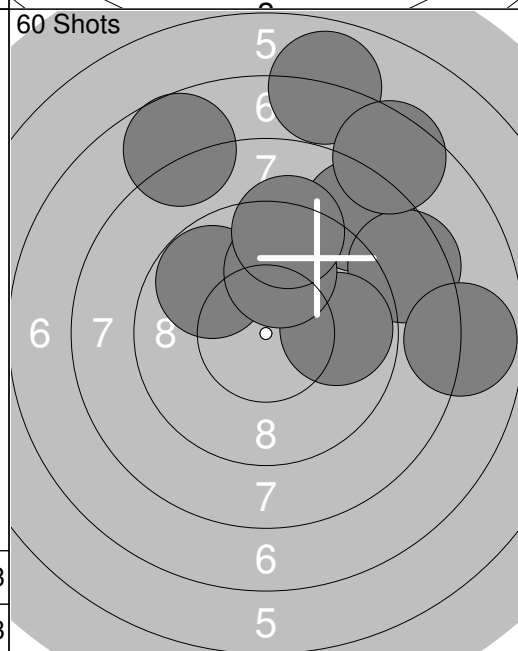
1:	7.3	↗
2:	8.3	↖
3:	7.9	↖
4:	7.6	↖
5:	2.7	→
6:	7.7	→
7:	8.6	↖
8:	9.6	↘
9:	8.1	↘
10:	5.5	↗
Series		73.3
Total		0.0



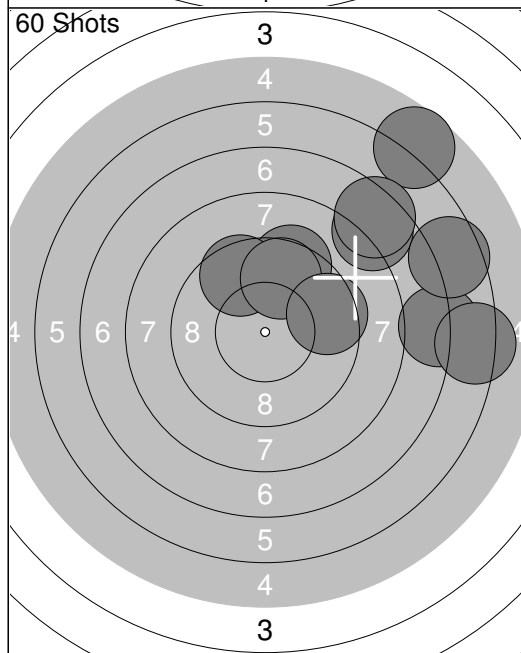
11:	5.4	↑
12:	8.6	←
13:	7.5	→
14:	9.3	↗
15:	6.6	→
16:	6.1	↗
17:	8.6	↗
18:	7.4	↖
Series		59.5
Total		0.0



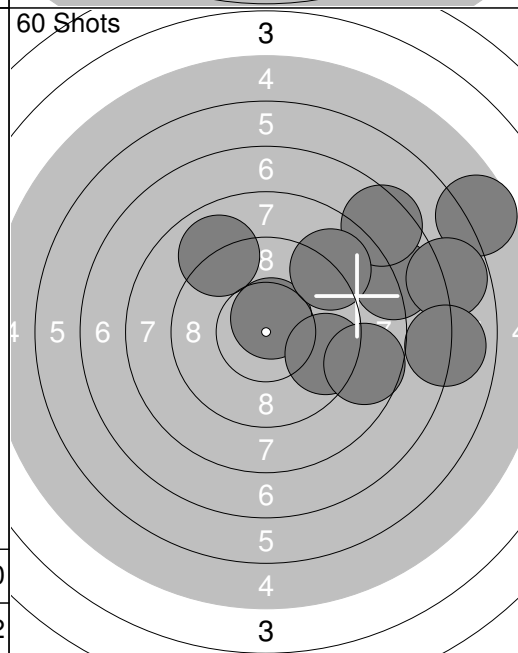
1:	7.2	→
2:	3.9	↗
3:	9.5	←
4:	8.5	→
5:	10.2x	↗
6:	6.8	↗
7:	6.2	→
8:	5.5	→
9:	5.6	↑
10:	5.9	↘
Series		69.3
Total		69.3



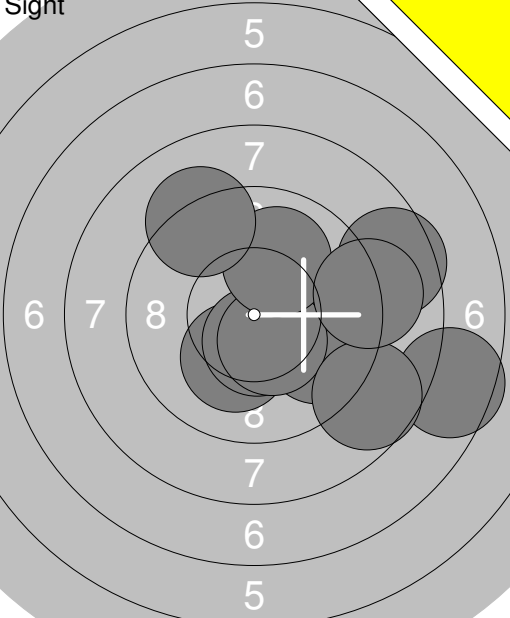
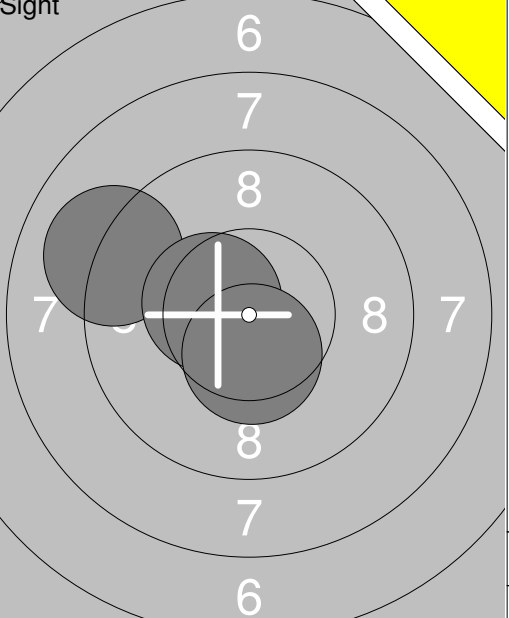
11:	8.6	↗
12:	8.5	↗
13:	7.9	→
14:	9.8	↖
15:	6.9	↑
16:	9.8	→
17:	7.7	↖
18:	9.9	↑
19:	9.3	↑
20:	7.5	↗
Series		85.9
Total		155.2

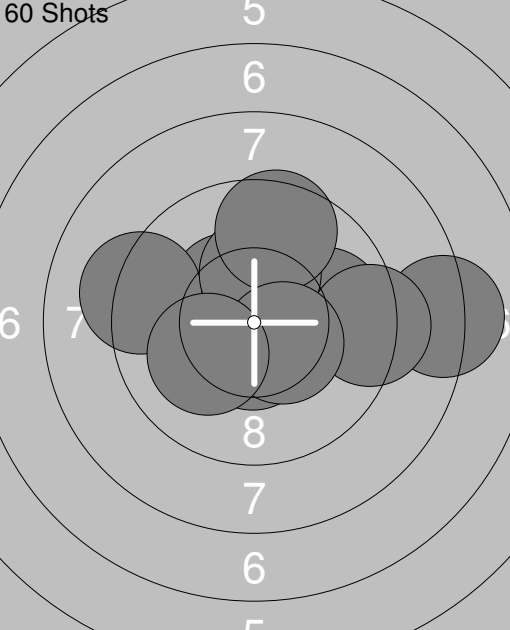
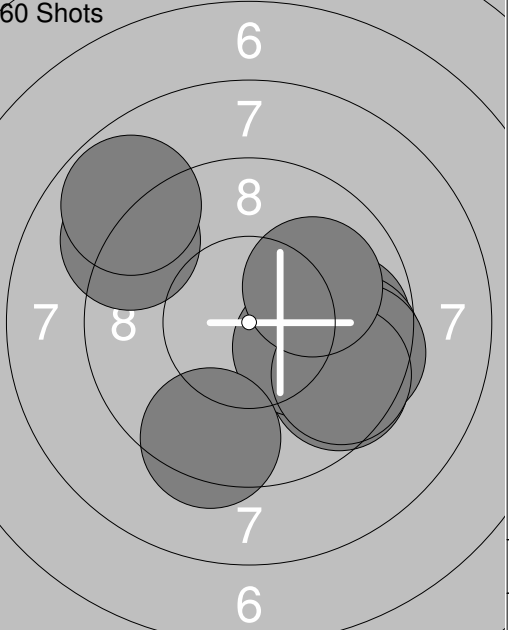


21:	9.4	↗
22:	7.1	→
23:	5.7	↗
24:	9.6	↖
25:	7.7	↗
26:	6.3	→
27:	6.6	→
28:	7.4	↗
29:	9.7	↑
30:	9.5	→
Series		79.0
Total		234.2



31:	10.6x	↗
32:	7.9	→
33:	5.7	↗
34:	7.5	↗
35:	6.8	→
36:	9.5	→
37:	9.0	↗
38:	9.0	↖
39:	8.7	→
40:	7.0	→
Series		81.7
Total		315.9

<p>Sight</p> 	<p>1: 7.6 →</p> <p>2: 9.8 →</p> <p>3: 10.2x ↓</p> <p>4: 10.5x ↓</p> <p>5: 10.4x ↓</p> <p>6: 10.0 ↑</p> <p>7: 9.2 ↑</p> <p>8: 8.5 →</p> <p>9: 8.7 ↓</p> <p>10: 9.0 →</p>	<p>Sight</p> 	<p>11: 9.1 ↖</p> <p>12: 10.5x ↖</p> <p>13: 10.4x ↓</p>
Series 93.9		Series 30.0	
Total 0.0		Total 0.0	

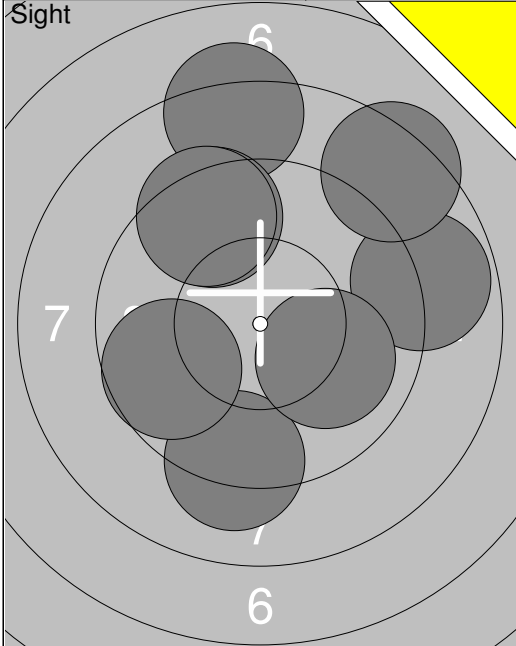
<p>60 Shots</p> 	<p>1: 9.9 →</p> <p>2: 10.4x ↖</p> <p>3: 10.6x ↓</p> <p>4: 9.2 ↖</p> <p>5: 8.2 →</p> <p>6: 9.2 →</p> <p>7: 10.2x ↑</p> <p>8: 9.6 ↑</p> <p>9: 10.4x ↓</p> <p>10: 10.1 ↖</p>	<p>60 Shots</p> 	<p>11: 9.6 ↘</p> <p>12: 9.8 →</p> <p>13: 10.2x ↘</p> <p>14: 9.6 →</p> <p>15: 9.1 ↗</p> <p>16: 9.4 ↓</p> <p>17: 9.5 ↘</p> <p>18: 9.6 ↓</p> <p>19: 8.8 ↗</p> <p>20: 10.0 ↗</p>
Series 97.8		Series 95.6	
Total 97.8		Total 193.4	

<p>60 Shots</p> 	<p>21: 9.6 ↘</p> <p>22: 9.4 ↓</p> <p>23: 10.8x ↖</p> <p>24: 10.4x ↘</p> <p>25: 9.7 ↖</p> <p>26: 10.8x ↓</p> <p>27: 10.5x ↘</p> <p>28: 8.6 ←</p> <p>29: 8.9 ↖</p> <p>30: 9.2 ↗</p>	<p>60 Shots</p> 	<p>31: 9.1 ↗</p> <p>32: 8.9 ↖</p> <p>33: 10.7x ↘</p> <p>34: 9.1 ↖</p> <p>35: 10.5x ↖</p> <p>36: 10.3x ↑</p> <p>37: 10.6x ↑</p> <p>38: 10.4x ↗</p> <p>39: 9.2 ←</p> <p>40: 10.7x ↗</p>
Series 97.9		Series 99.5	
Total 291.3		Total 390.8	

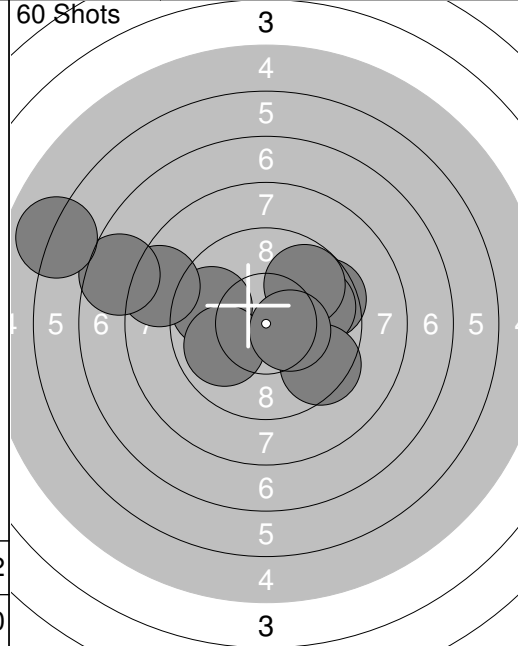
Relay 1	Lane 38	Niklas Johansson
-------------------	-------------------	-------------------------

S	Vännäs Skf	
---	------------	--

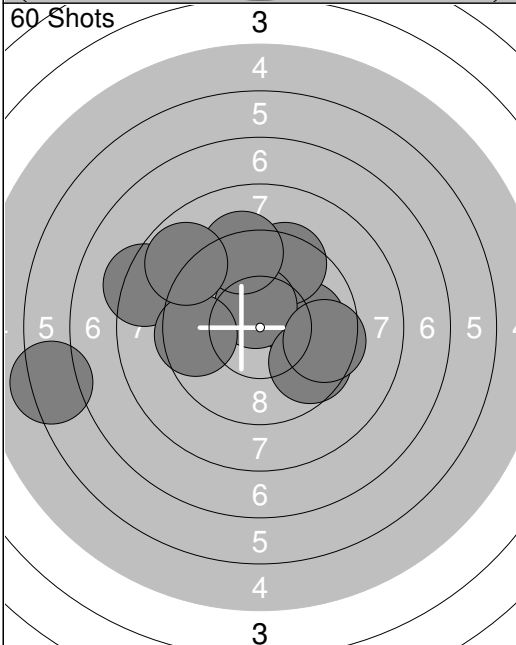
10.10.2015	UME-Skottet 2015	Umeå skytteallians
------------	------------------	--------------------



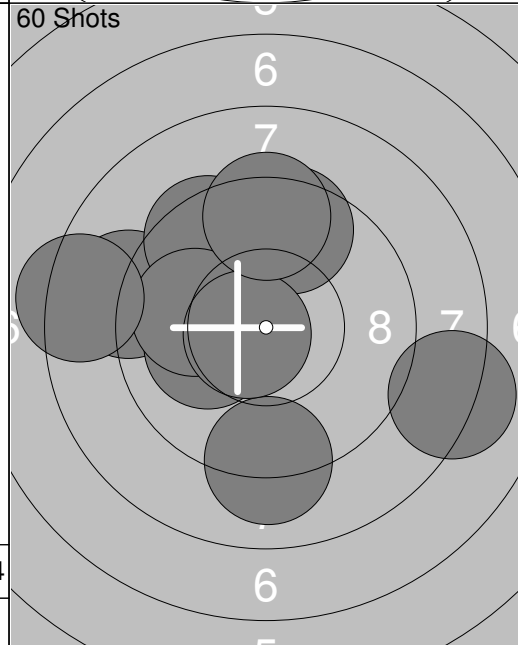
1: 8.8	→
2: 8.4	↗
3: 8.2	↑
4: 9.2	↓
5: 9.7	←
6: 9.5	↗
7: 9.4	↗
8: 10.0	→
Series 73.2	
Total 0.0	



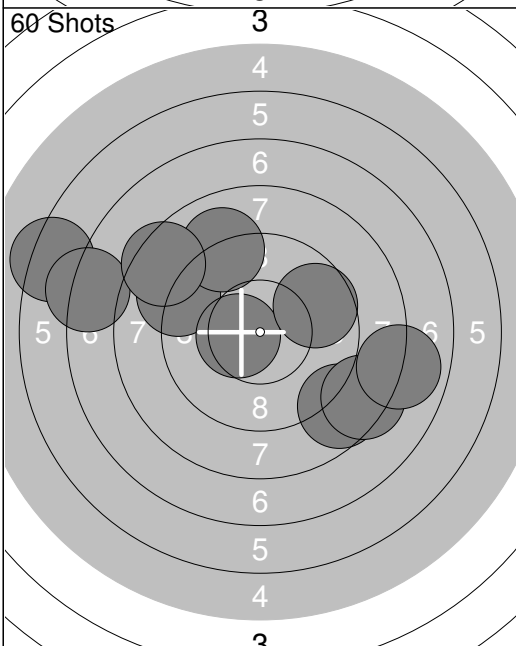
1: 9.7	←
2: 8.5	←
3: 9.5	↗
4: 9.8	↗
5: 7.6	←
6: 6.0	←
7: 9.9	←
8: 9.5	↘
9: 9.8	↗
10: 10.4x	→
Series 90.7	
Total 90.7	



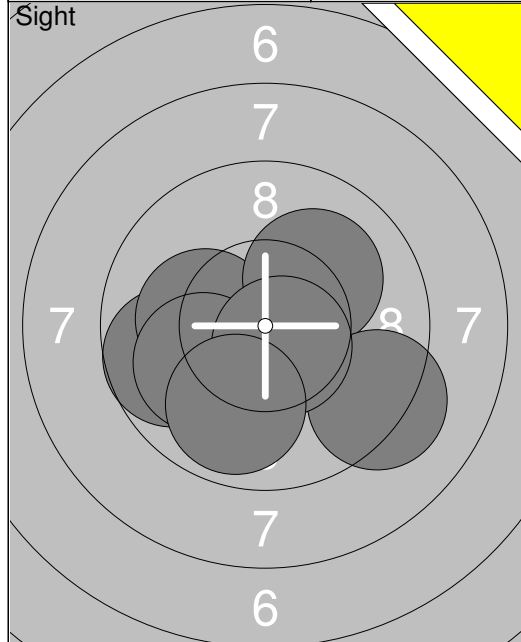
11: 10.0	→
12: 9.5	↗
13: 8.3	←
14: 10.5x	↗
15: 9.6	←
16: 9.3	↑
17: 9.6	↘
18: 6.3	←
19: 9.5	→
20: 8.8	↖
Series 91.4	
Total 182.1	



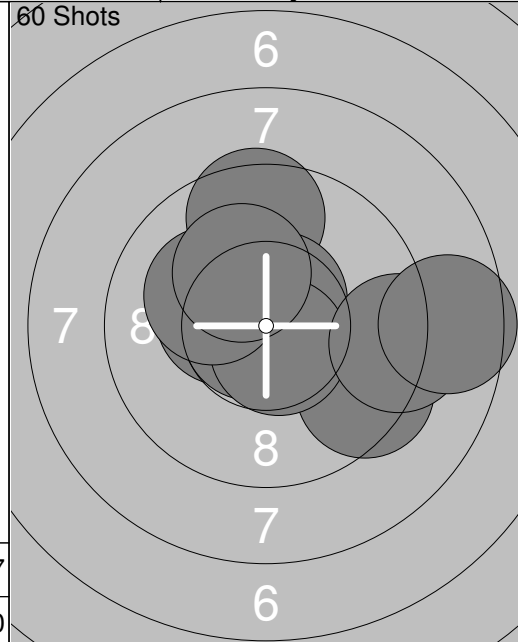
21: 9.0	←
22: 9.1	↓
23: 8.2	→
24: 9.5	↖
25: 10.1	←
26: 9.5	↑
27: 9.9	←
28: 10.7x	←
29: 8.3	←
30: 9.4	↑
Series 93.7	
Total 275.8	



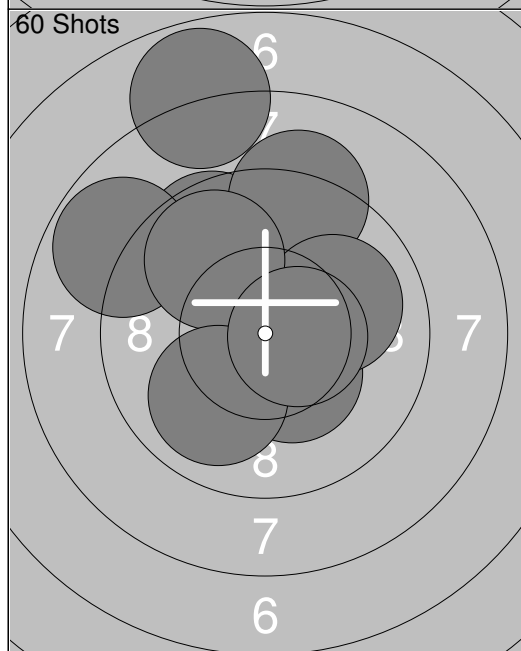
31: 8.6	↘
32: 6.3	←
33: 9.0	↖
34: 7.2	←
35: 10.5x	←
36: 8.4	↘
37: 9.7	↗
38: 9.0	↗
39: 7.9	→
40: 8.4	↖
Series 85.0	
Total 360.8	



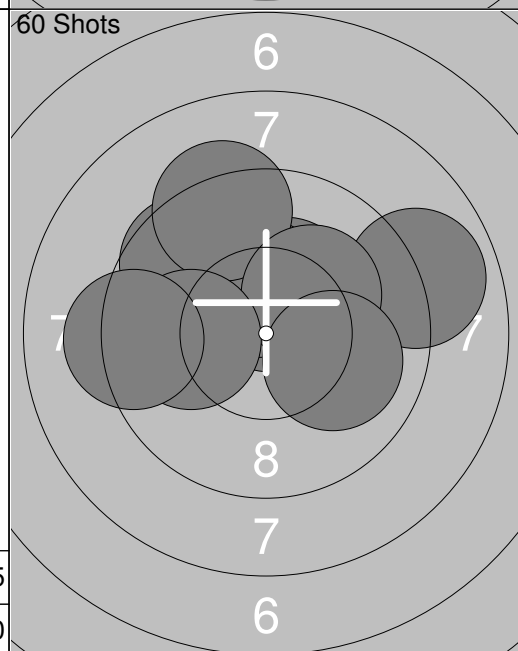
1: 9.7	←
2: 10.2x	←
3: 10.1	↗
4: 9.2	↘
5: 10.0	←
6: 10.6x	↘
7: 9.9	↘
Series 69.7	
Total 0.0	



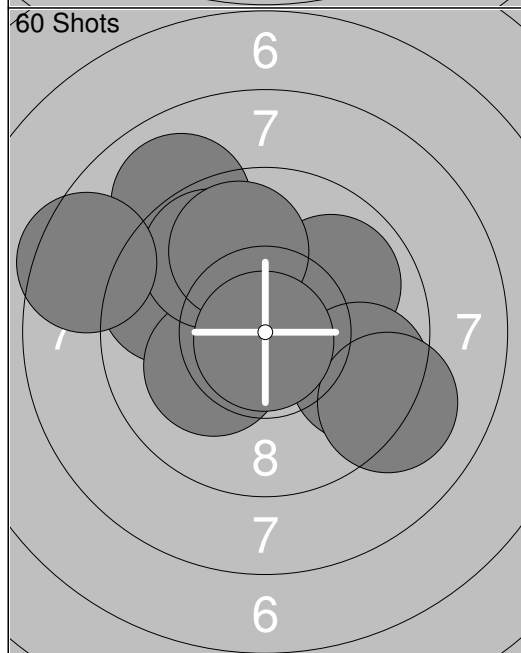
1: 10.4x	←
2: 9.4	↘
3: 10.8x	←
4: 9.5	↑
5: 10.6x	↗
6: 10.6x	↘
7: 9.2	→
8: 10.2x	↖
9: 10.2x	↗
10: 8.6	→
Series 99.5	
Total 99.5	



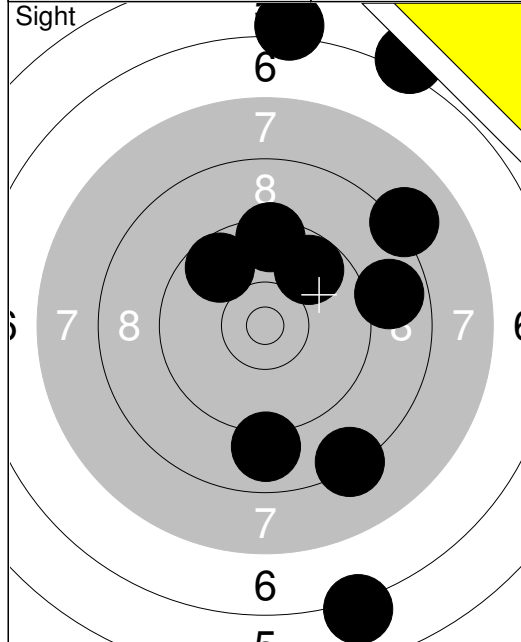
11: 9.6	↗
12: 9.2	↑
13: 10.5x	→
14: 10.3x	↘
15: 8.8	↖
16: 7.8	↑
17: 10.0	→
18: 9.8	↗
19: 10.0	↘
20: 10.5x	→
Series 96.5	
Total 196.0	



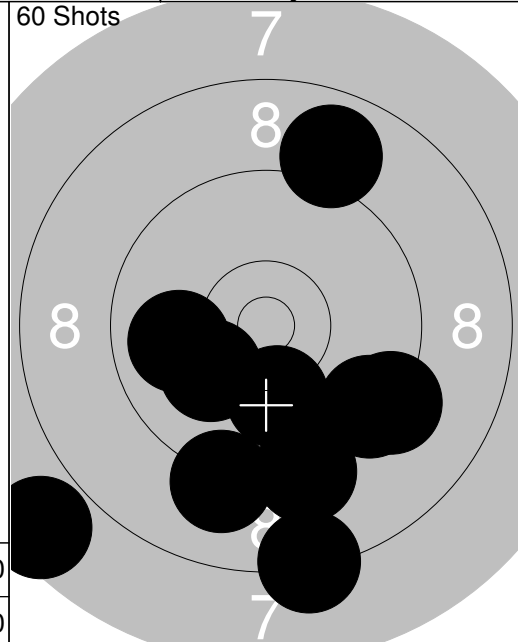
21: 10.3x	↗
22: 10.5x	↑
23: 9.6	↖
24: 10.3x	↑
25: 8.9	→
26: 9.3	↑
27: 10.2x	↗
28: 10.0	→
29: 10.0	←
30: 9.3	←
Series 98.4	
Total 294.4	



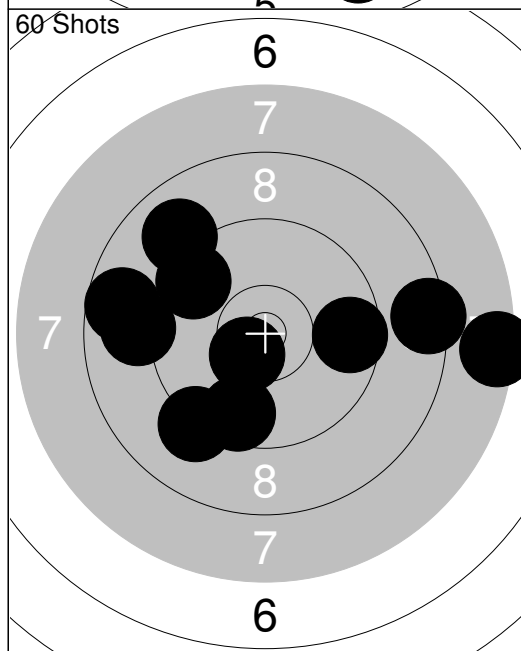
31: 9.0	↗
32: 9.6	↖
33: 9.9	↗
34: 9.6	↘
35: 10.2x	↖
36: 9.1	↘
37: 9.8	↗
38: 9.9	↗
39: 8.5	↖
40: 10.8x	↘
Series 96.4	
Total 390.8	



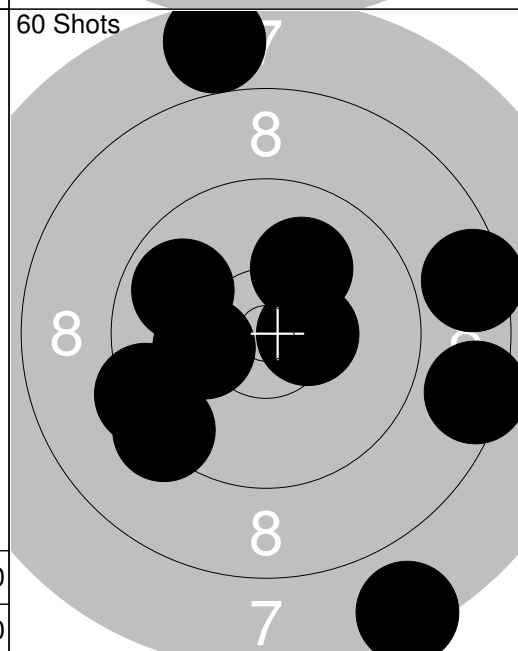
1:	9.8	↖
2:	6.0	↗
3:	9.8	↗
4:	6.1	↘
5:	8.1	↗
6:	8.9	→
7:	6.0	↑
8:	9.0	↘
9:	9.5	↑
10:	8.3	↘
Series		78.0
Total		0.0



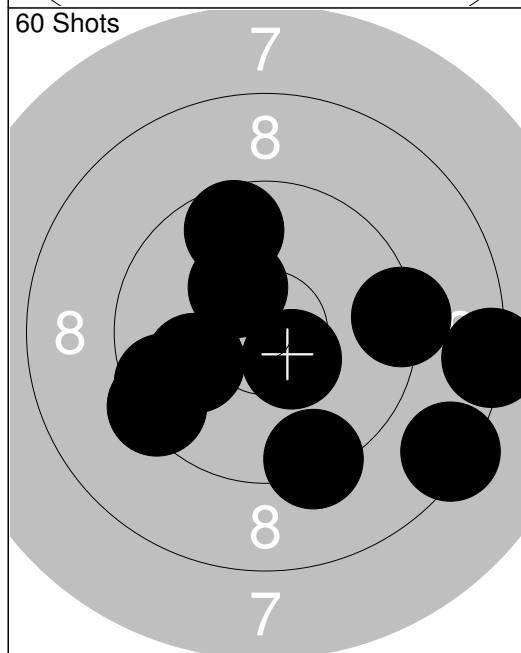
1:	9.3	↘
2:	10.2	↘
3:	8.3	↘
4:	9.0	↗
5:	9.5	↘
6:	10.0	←
7:	9.3	↘
8:	7.6	↙
9:	9.2	↘
10:	10.2	↙
Series		90.0
Total		90.0



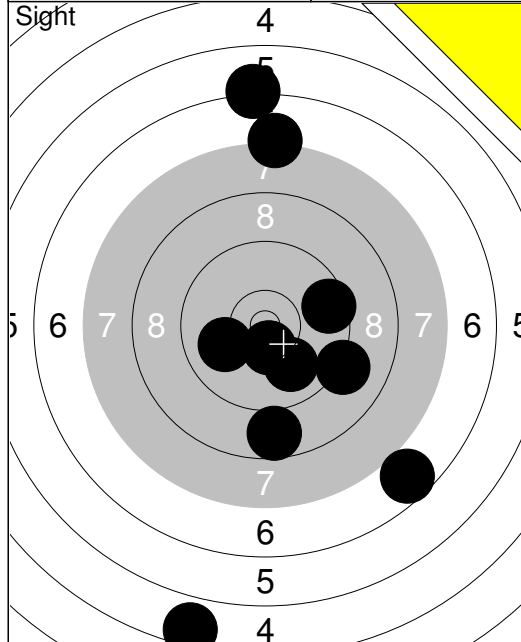
11:	9.0	←
12:	8.8	←
13:	9.7	→
14:	9.0	↗
15:	9.6	↗
16:	10.5x	↘
17:	9.7	↘
18:	7.5	→
19:	8.5	→
20:	9.2	↙
Series		87.0
Total		177.0



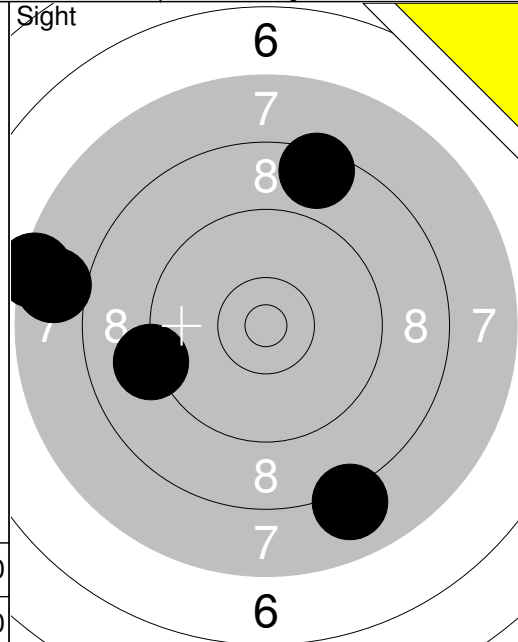
21:	7.7	↑
22:	9.4	↙
23:	10.2	←
24:	10.1	↗
25:	8.5	→
26:	10.5x	→
27:	7.5	↘
28:	9.9	↙
29:	8.6	→
30:	9.5	↙
Series		87.0
Total		264.0



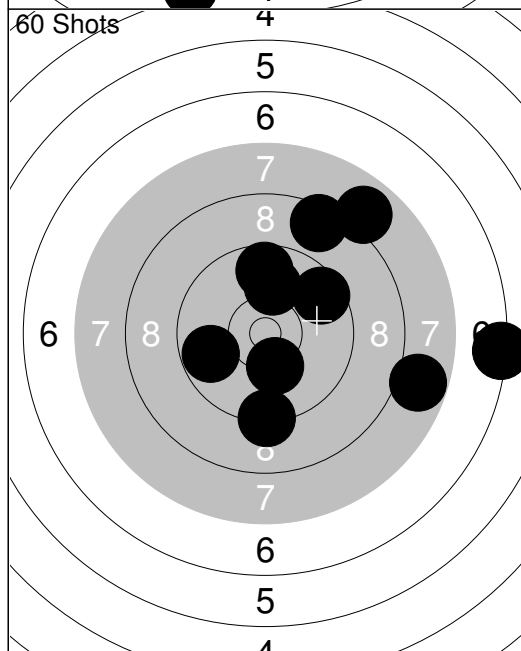
31:	9.4	↘
32:	10.5x	↘
33:	9.7	↗
34:	9.5	↙
35:	10.4	↗
36:	10.1	←
37:	8.4	→
38:	8.4	↘
39:	9.4	→
40:	9.7	↙
Series		91.0
Total		355.0



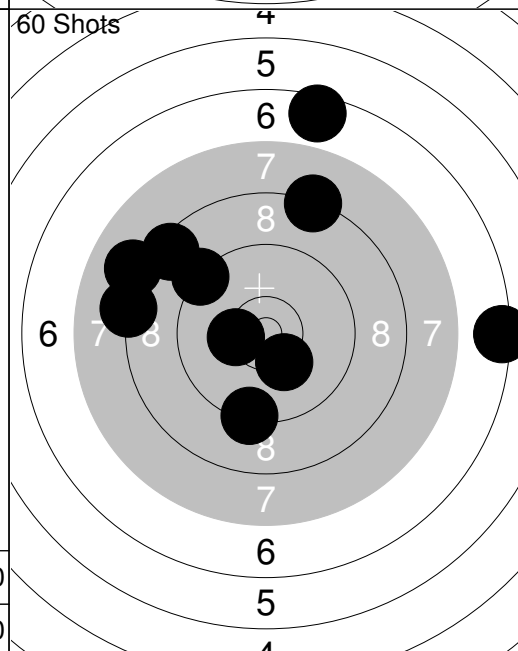
1:	10.1	←
2:	8.7	↓
3:	6.2	↑
4:	10.0	↓
5:	6.7	↓
6:	9.1	→
7:	10.5x	↓
8:	9.6	→
9:	4.6	↓
10:	7.2	↑
Series		79.0
Total		0.0



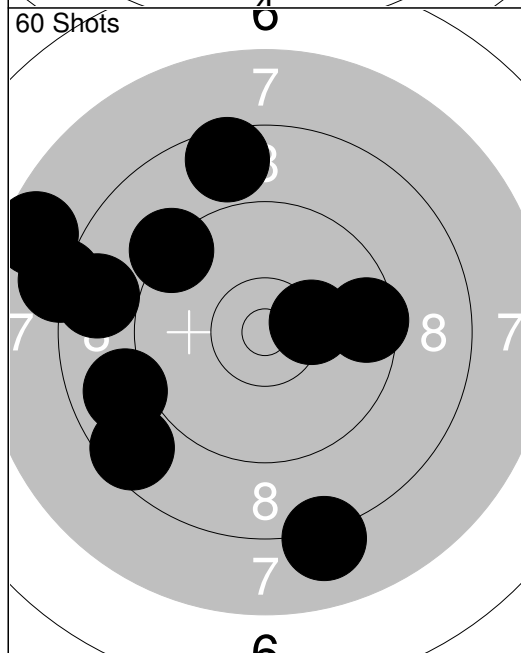
11:	7.8	←
12:	9.2	←
13:	7.4	←
14:	8.1	↓
15:	8.5	↑
Series		39.0
Total		0.0



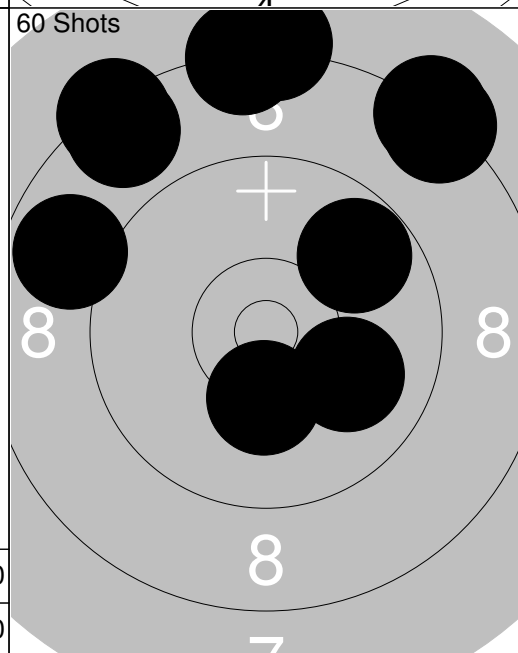
1:	9.3	↓
2:	6.3	→
3:	7.8	→
4:	8.6	↑
5:	7.9	↗
6:	9.7	↑
7:	10.0	↑
8:	9.8	←
9:	10.3	↓
10:	9.6	↗
Series		84.0
Total		84.0



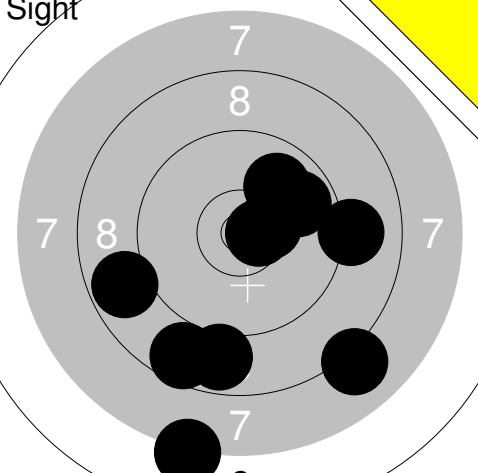
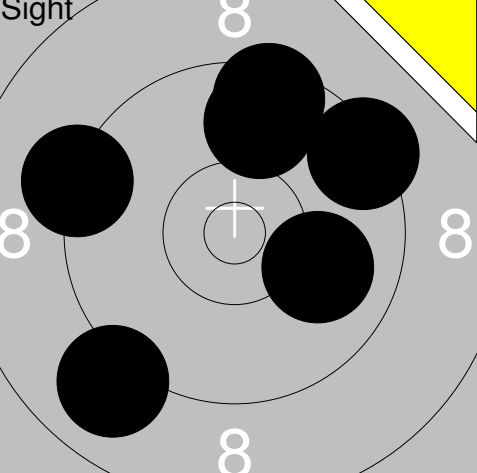
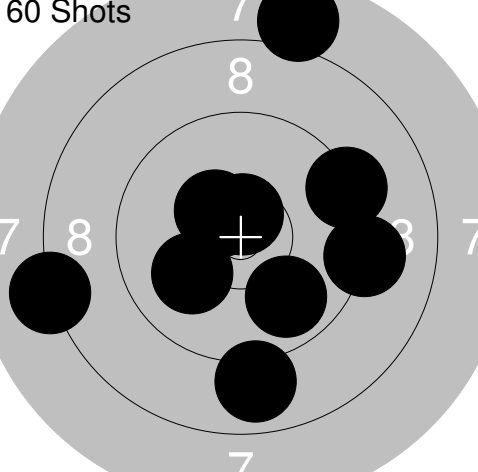
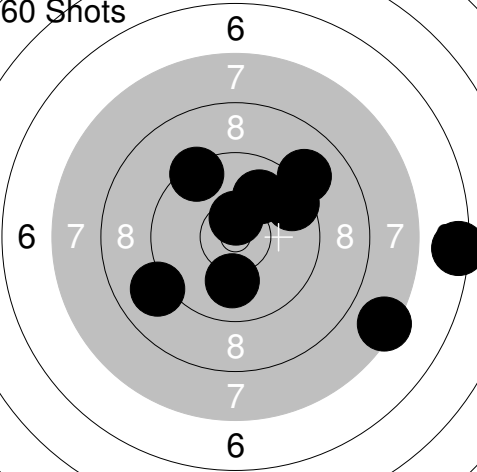
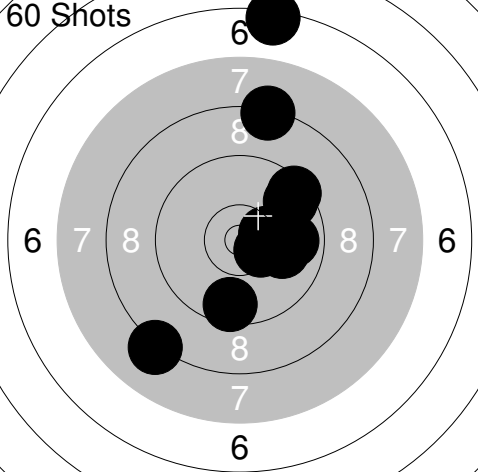
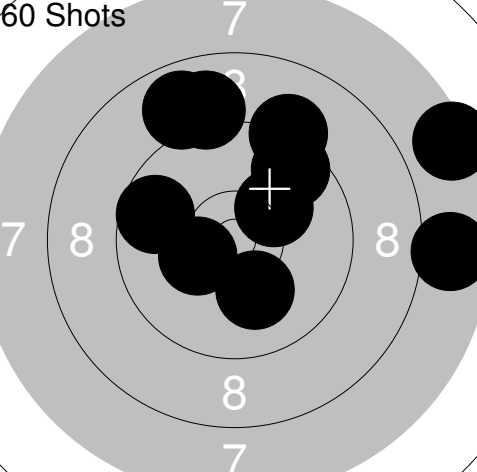
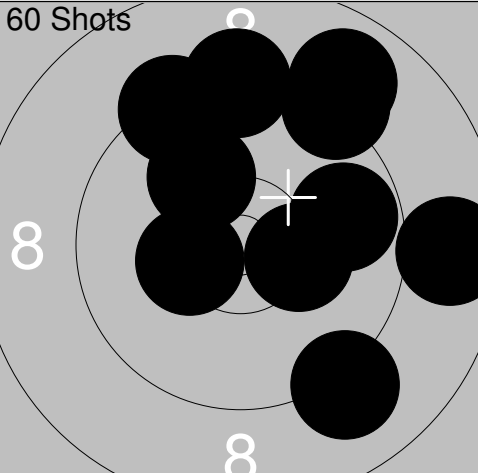
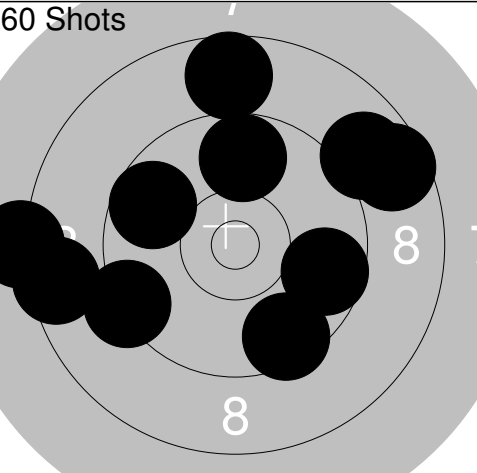
11:	10.3	↓
12:	6.4	→
13:	8.3	↑
14:	8.1	←
15:	9.3	↓
16:	8.5	↖
17:	10.4	←
18:	9.3	↗
19:	6.6	↑
20:	8.2	←
Series		82.0
Total		166.0

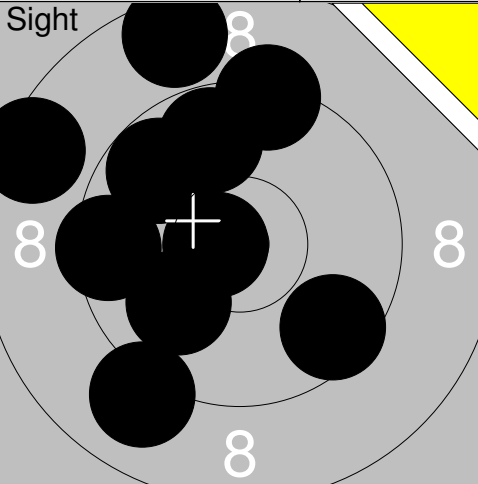
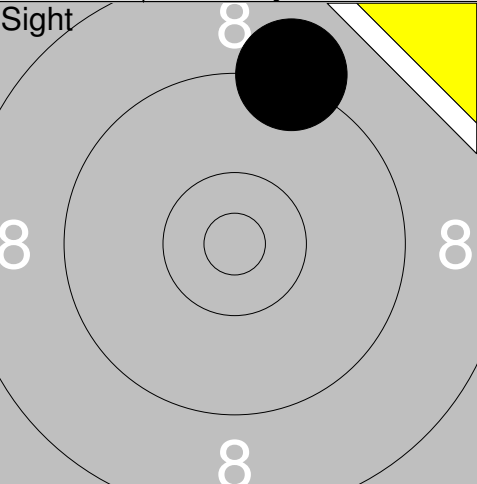
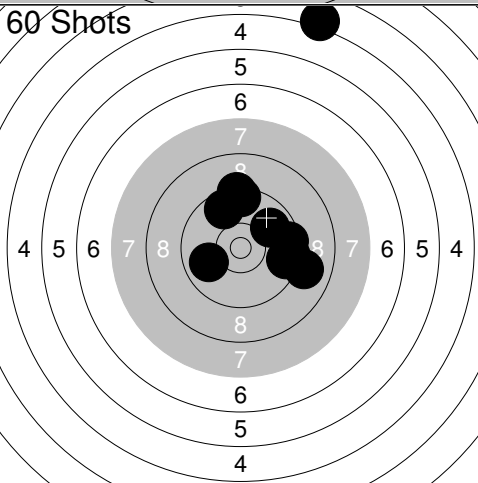
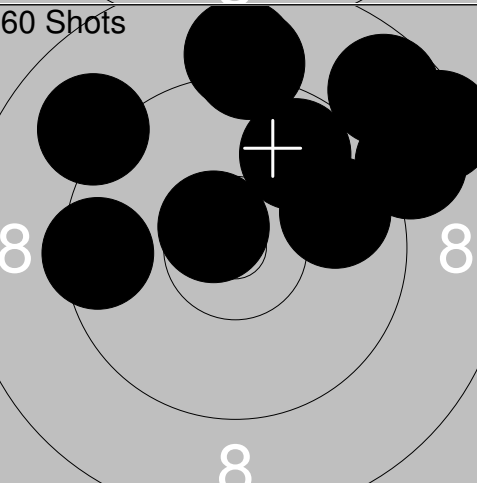
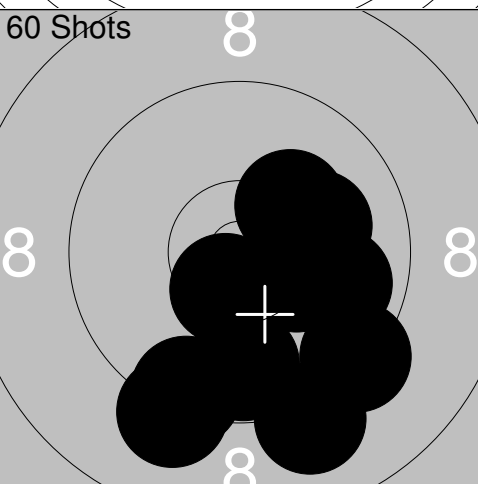
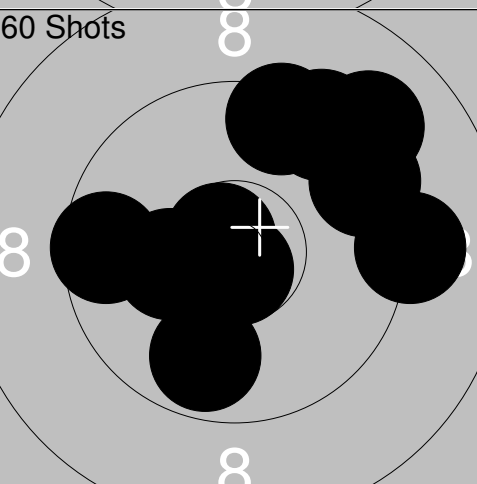

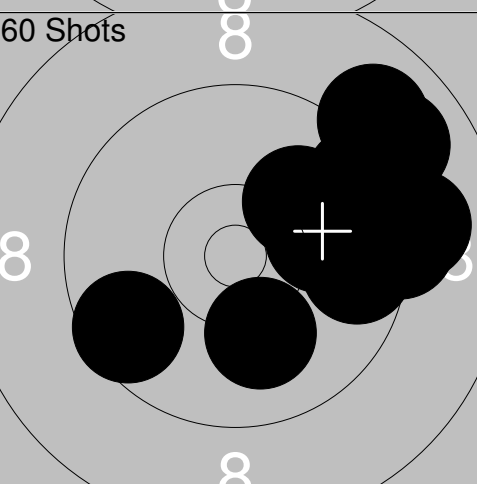


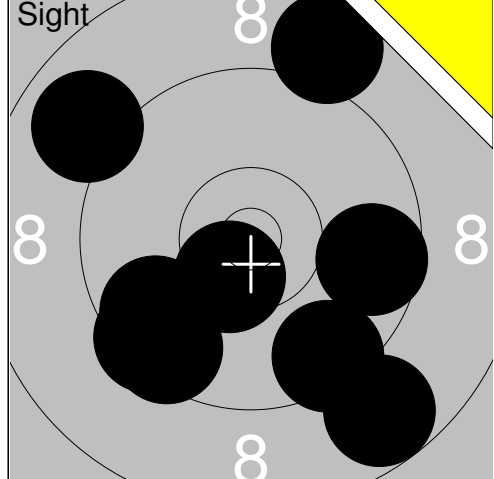
21:	8.6	↘
22:	9.0	←
23:	7.7	←
24:	9.6	→
25:	10.3	→
26:	8.2	←
27:	8.1	↓
28:	8.7	←
29:	9.3	↗
30:	8.6	↑
Series		84.0
Total		250.0



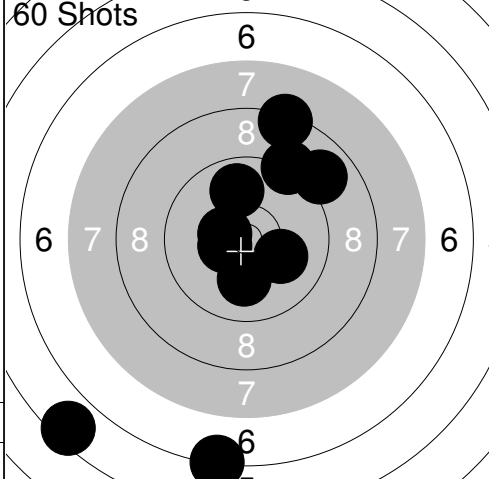
31:	10.1	↘
32:	8.9	←
33:	8.3	↗
34:	10.3	↓
35:	8.3	↗
36:	8.1	↑
37:	8.3	↑
38:	9.8	↗
39:	8.5	↖
40:	8.4	↖
Series		85.0
Total		335.0

Relay	Lane	Åsa Edvinsson	
S	3	Umeå Pk	
10.10.2015	UME-Skottet 2015	Umeå skytteallians	
Sight		1: 8.7 ↓ 2: 9.1 → 3: 7.2 ↓ 4: 8.8 ← 5: 8.9 ↓ 6: 9.9 ↗ 7: 8.1 ↓ 8: 10.5x → 9: 10.6x → 10: 9.9 → Series 86.0 Total 0.0	Sight  11: 9.4 ↗ 12: 9.6 ↑ 13: 10.1 → 14: 9.3 ← 15: 9.0 ↓ 16: 9.8 ↑ Series 55.0 Total 0.0
60 Shots		1: 10.1 ↙ 2: 10.4x ↗ 3: 10.6x ↑ 4: 7.9 ↑ 5: 8.9 ↓ 6: 8.2 ← 7: 9.3 → 8: 10.5x ↗ 9: 9.9 ↓ 10: 9.2 → Series 90.0 Total 90.0	60 Shots  11: 10.0 ↗ 12: 9.6 ↗ 13: 9.5 ↗ 14: 9.6 ↗ 15: 9.1 ← 16: 6.4 → 17: 10.1 ↓ 18: 7.5 → 19: 9.1 ↗ 20: 10.6x ↑ Series 88.0 Total 178.0
60 Shots		21: 9.9 → 22: 8.2 ↓ 23: 8.3 ↑ 24: 9.6 ↓ 25: 6.4 ↑ 26: 10.1 → 27: 10.5x → 28: 9.5 ↗ 29: 10.4x → 30: 9.7 ↗ Series 88.0 Total 266.0	60 Shots  31: 9.7 ← 32: 7.8 → 33: 8.9 ↗ 34: 9.2 ↗ 35: 9.6 ↗ 36: 9.0 ↑ 37: 10.2 ↓ 38: 10.2 ↗ 39: 7.5 ↗ 40: 10.4x ← Series 88.0 Total 354.0
60 Shots		41: 9.0 ↗ 42: 10.1 ↗ 43: 9.2 ↗ 44: 8.8 → 45: 9.4 ↗ 46: 9.8 → 47: 9.3 ↑ 48: 9.1 ↓ 49: 10.4x ← 50: 10.3 → Series 92.0 Total 446.0	60 Shots  51: 8.6 ← 52: 9.4 ← 53: 8.7 ↗ 54: 9.8 ↑ 55: 9.8 ← 56: 8.9 ↗ 57: 8.8 ↑ 58: 8.2 ← 59: 9.6 ↓ 60: 9.7 → Series 85.0 Total 531.0

Relay	Lane	Lennart Selander	
S	4	Örnsköldsvik Pk	
10.10.2015	UME-Skottet 2015	Umeå skytteallians	
Sight		1: 9.1 ↘ 2: 8.6 ↑ 3: 9.8 ↑ 4: 9.6 ← 5: 10.7x ← 6: 8.5 ↖ 7: 9.4 ↑ 8: 9.8 ↗ 9: 10.1 ↘ 10: 9.6 ↘ Series 90.0 Total 0.0	Sight  11: 9.2 ↑ Series 9.0 Total 0.0
60 Shots		1: 9.0 → 2: 9.9 ← 3: 9.9 → 4: 9.3 ↑ 5: 4.0 ↑ 6: 9.5 → 7: 9.5 ↑ 8: 9.6 → 9: 9.5 → 10: 9.7 ↑ Series 85.0 Total 85.0	60 Shots  11: 10.6x ↖ 12: 9.6 ← 13: 9.8 ↗ 14: 9.1 ↖ 15: 9.0 → 16: 9.0 ↑ 17: 9.1 ↑ 18: 8.6 → 19: 8.8 ↗ 20: 9.9 → Series 89.0 Total 174.0
60 Shots		21: 10.3 ↗ 22: 9.9 → 23: 9.4 ↓ 24: 9.1 ↓ 25: 10.1 → 26: 10.3 → 27: 9.4 ↓ 28: 9.2 ↓ 29: 10.6x ↓ 30: 9.8 ↓ Series 94.0 Total 268.0	60 Shots  31: 9.7 ← 32: 9.5 → 33: 9.2 → 34: 9.9 ↓ 35: 10.8x ↓ 36: 10.3 ← 37: 10.8x ↖ 38: 9.4 ↗ 39: 9.1 ↗ 40: 9.5 ↑ Series 93.0 Total 361.0
60 Shots		41: 10.1 → 42: 8.4 ↓ 43: 8.6 → 44: 10.0 ← 45: 8.8 ← 46: 8.9 ↓ 47: 10.5x ↓ 48: 10.1 → 49: 10.3 ↓ 50: 9.2 → Series 91.0 Total 452.0	60 Shots  51: 9.7 → 52: 9.0 ↗ 53: 9.7 ↖ 54: 9.5 ↗ 55: 9.3 → 56: 9.1 → 57: 9.0 ↗ 58: 10.1 ↓ 59: 10.1 → 60: 10.1 ↗ Series 93.0 Total 545.0



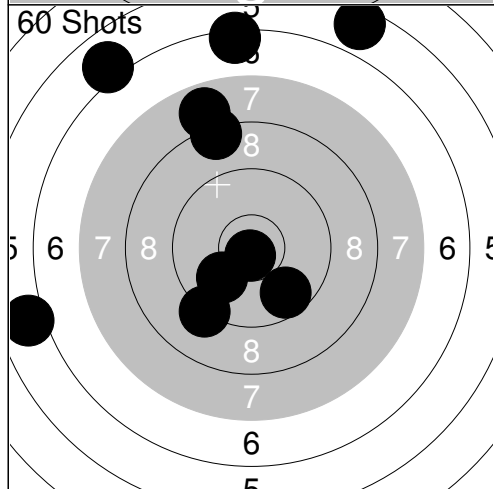
1:	8.8	↘
2:	9.7	↙
3:	9.5	↙
4:	9.0	↗
5:	9.5	↘
6:	8.9	↗
7:	9.6	↘
8:	10.5x	↘
9:	9.7	→



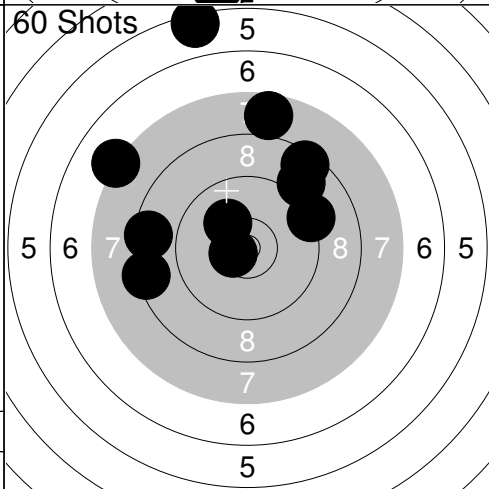
1:	5.5	↙
2:	9.0	↗
3:	6.3	↘
4:	10.5x	←
5:	9.2	↗
6:	8.4	↗
7:	10.5x	←
8:	10.2	→
9:	9.9	↑
10:	10.1	↓

Series	80.0
Total	0.0

Series	86.0
Total	86.0



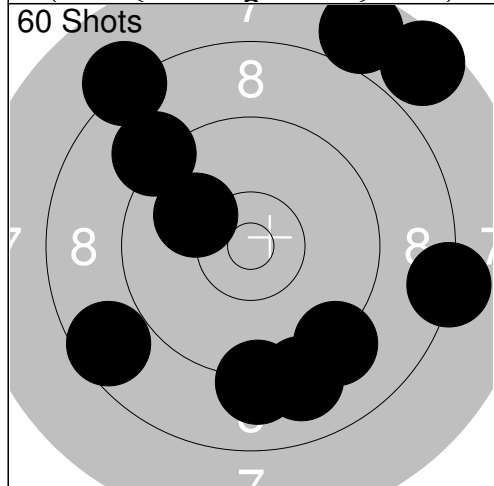
11:	10.1	↘
12:	5.9	←
13:	9.3	↘
14:	8.4	↗
15:	6.0	↗
16:	9.7	↘
17:	5.6	↗
18:	6.4	↗
19:	7.9	↗
20:	10.8x	↓



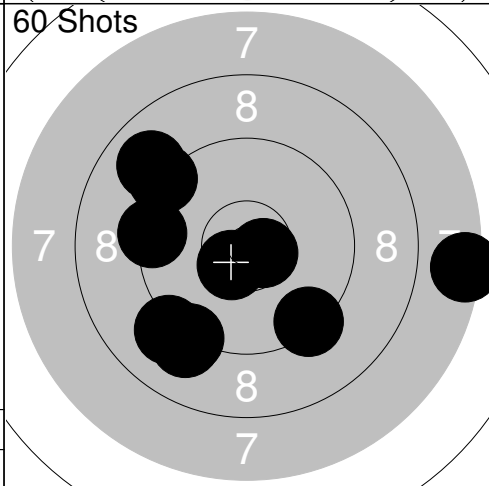
21:	7.2	↖
22:	10.6x	←
23:	5.4	↑
24:	8.6	←
25:	9.3	↗
26:	8.5	↗
27:	8.9	↗
28:	8.4	←
29:	10.2	↗
30:	7.8	↑

Series	75.0
Total	161.0

Series	80.0
Total	241.0



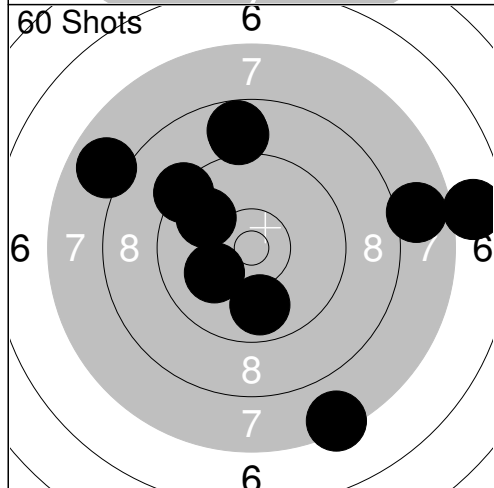
31:	7.6	↗
32:	8.2	↗
33:	8.7	↙
34:	9.2	↗
35:	9.2	↘
36:	9.1	↘
37:	9.1	↘
38:	8.3	→
39:	10.1	↗
40:	7.7	↗



41:	7.5	→
42:	9.1	↘
43:	9.1	↘
44:	9.2	↘
45:	10.7x	→
46:	9.4	↘
47:	10.6x	↘
48:	9.0	↗
49:	9.2	↗
50:	9.4	←

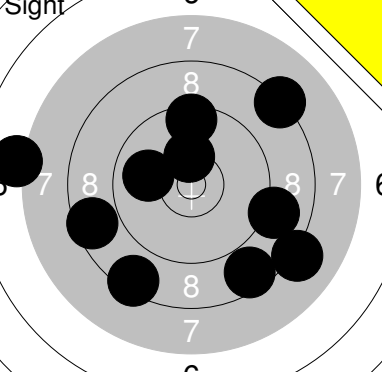
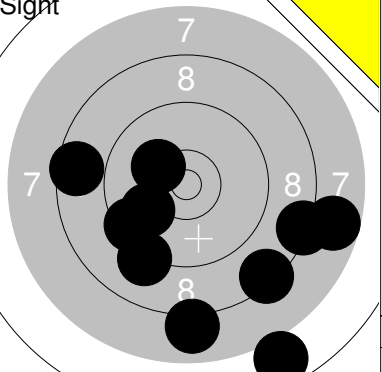
Series	84.0
Total	325.0

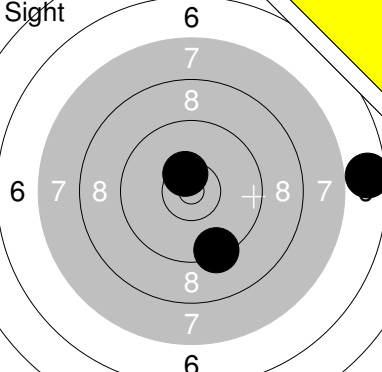
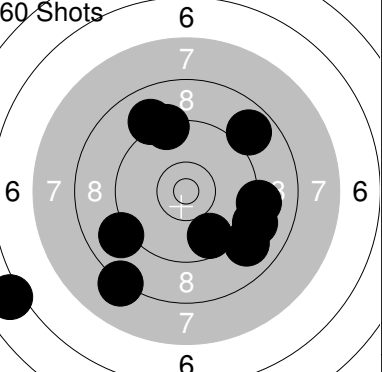
Series	90.0
Total	415.0

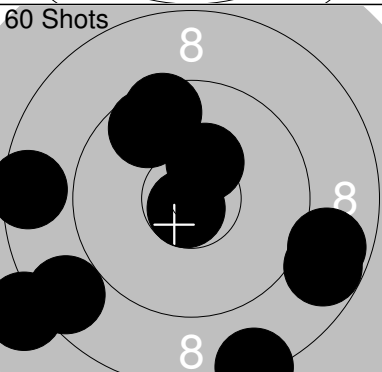
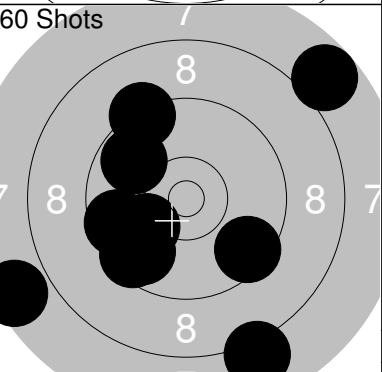


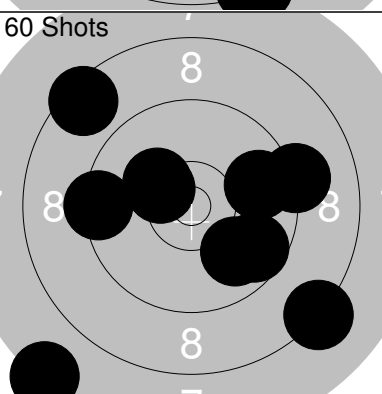
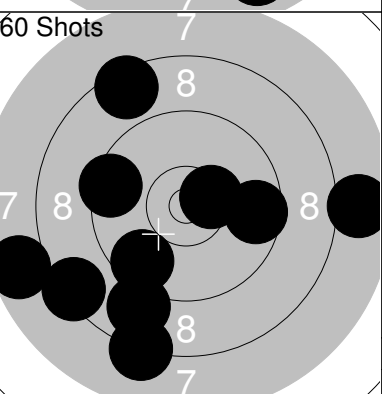
51:	7.9	→
52:	9.9	↘
53:	8.8	↗
54:	8.9	↗
55:	7.4	↘
56:	6.9	→
57:	9.4	↗
58:	7.9	↗
59:	10.0	↗
60:	10.1	↙

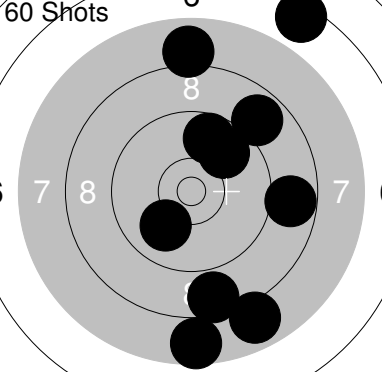
Series	81.0
Total	496.0

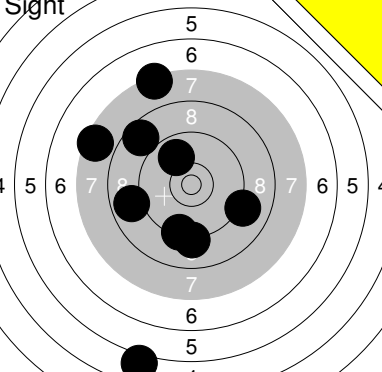
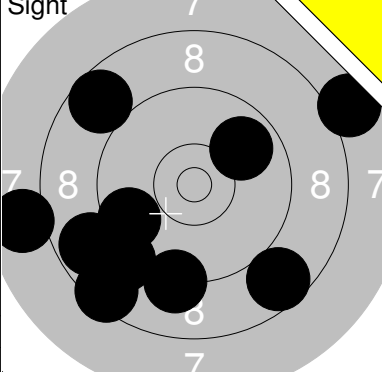
Sight		Sight	
	1: 8.6 ↘ 2: 10.3 ↑ 3: 8.1 ↘ 4: 10.0 ← 5: 9.0 → 6: 8.5 ↘ 7: 9.5 ↑ 8: 8.6 ← 9: 7.1 ← 10: 8.3 ↗		11: 10.3 ↗ 12: 7.8 → 13: 10.0 ↘ 14: 9.5 ↘ 15: 9.2 ↘ 16: 8.6 ← 17: 8.0 ↘ 18: 6.8 ↘ 19: 8.3 ↘ 20: 8.4 ↘
Series 85.0		Series 83.0	
Total 0.0		Total 0.0	

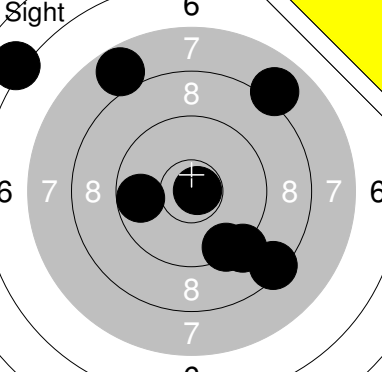
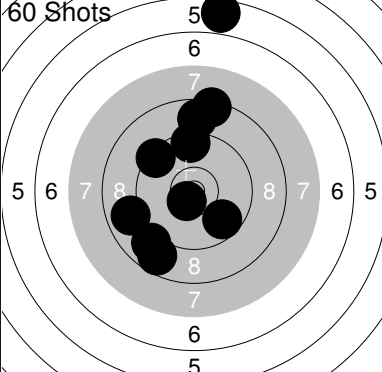
Sight		60 Shots	
	21: 10.5x ↑ 22: 6.7 → 23: 9.4 ↘		1: 8.2 ↑ 2: 9.3 ↗ 3: 9.1 ↘ 4: 9.7 ↘ 5: 9.1 ↘ 6: 9.0 ↗ 7: 9.0 ↘ 8: 9.2 → 9: 8.9 ↗ 10: 6.0 ↘
Series 25.0		Series 85.0	
Total 0.0		Total 85.0	

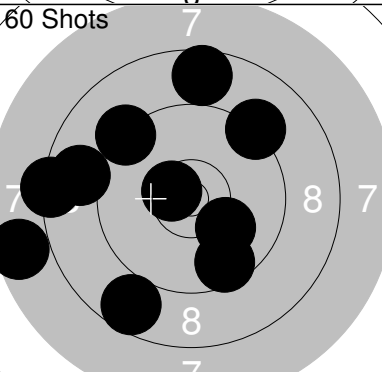
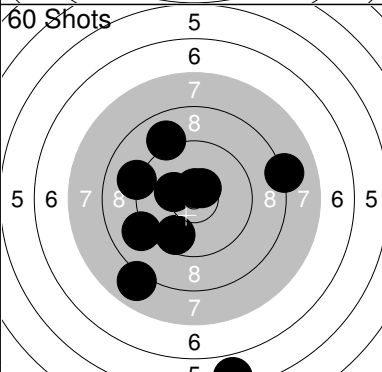
60 Shots		60 Shots	
	11: 8.9 → 12: 8.7 ↘ 13: 10.8x ↘ 14: 9.8 ↘ 15: 10.4x ↗ 16: 8.0 ↘ 17: 8.6 ← 18: 8.8 ↘ 19: 9.6 ↗ 20: 8.4 ↘		21: 9.6 ↘ 22: 9.6 ↘ 23: 9.3 ↗ 24: 7.6 ↘ 25: 9.7 ← 26: 9.8 ↘ 27: 10.1 ↘ 28: 7.8 ↗ 29: 8.0 ↘ 30: 9.8 ↗
Series 86.0		Series 86.0	
Total 171.0		Total 257.0	

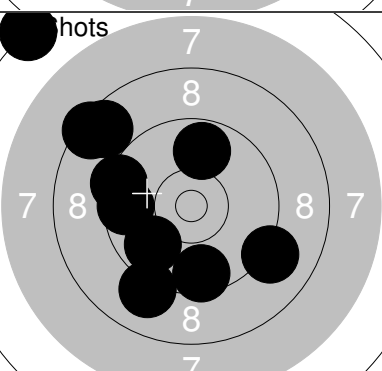
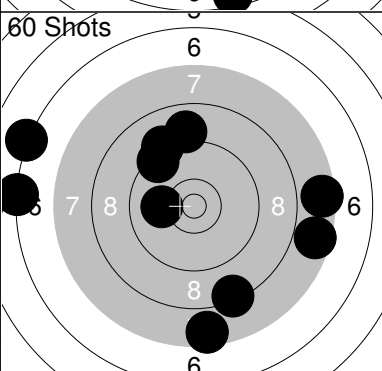
60 Shots		60 Shots	
	31: 10.3 ↗ 32: 9.9 ↘ 33: 9.8 → 34: 9.4 ← 35: 8.3 ↘ 36: 9.7 ↘ 37: 8.5 ↗ 38: 9.2 → 39: 7.3 ↘ 40: 10.4x ↗		41: 8.9 ↘ 42: 8.2 ↘ 43: 8.4 ↘ 44: 9.5 ← 45: 9.7 → 46: 7.8 → 47: 8.6 ↗ 48: 9.7 ↘ 49: 10.5x → 50: 7.7 ←
Series 88.0		Series 83.0	
Total 345.0		Total 428.0	

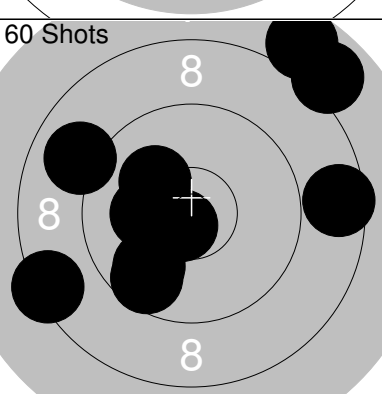
60 Shots			
	51: 8.6 ↘ 52: 7.9 ↘ 53: 7.7 ↘ 54: 9.9 ↗ 55: 7.9 ↑ 56: 8.8 → 57: 9.8 ↗ 58: 6.5 ↗ 59: 10.0 ↘ 60: 8.9 ↗		
Series 79.0			
Total 507.0			

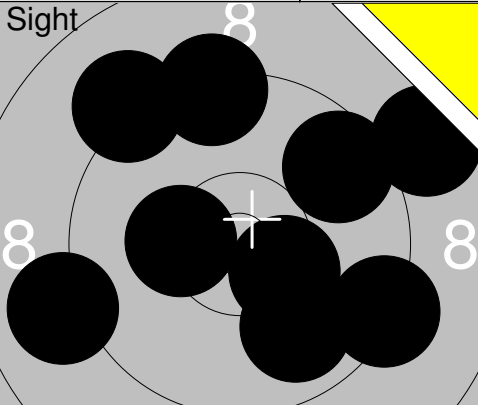
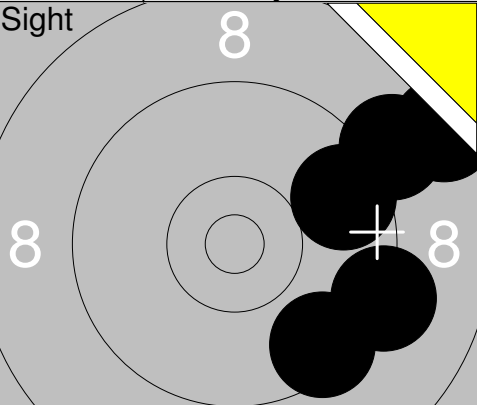
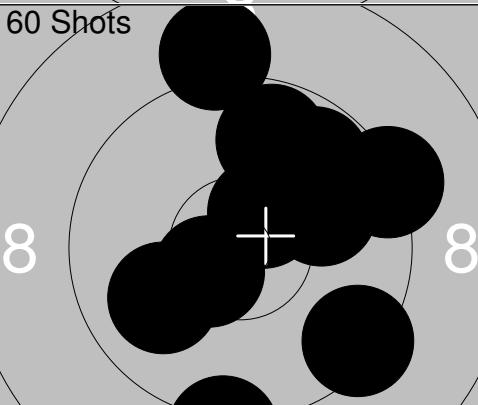
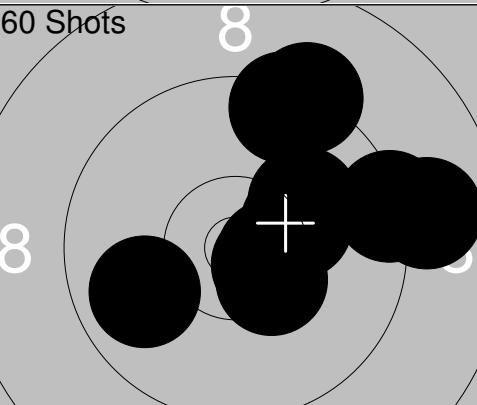
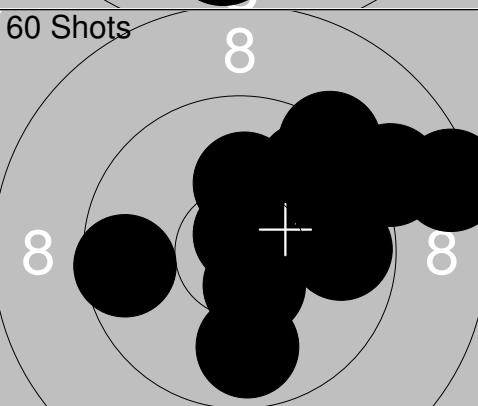
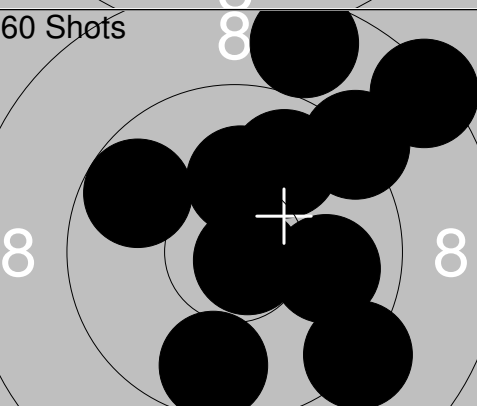
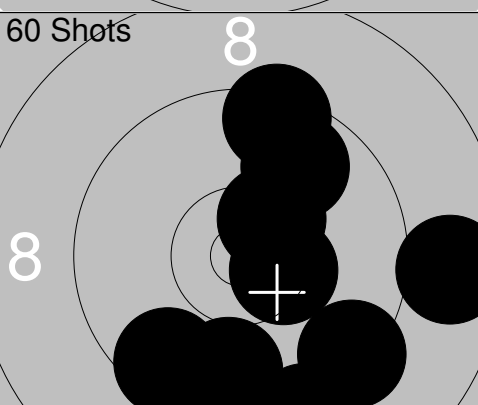
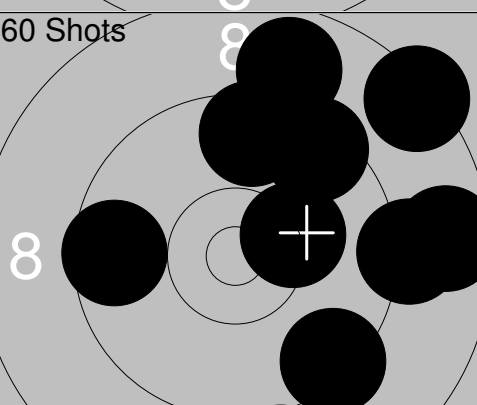
Sight		Sight	
	1: 7.6 ↖ 3: 4.9 ↘ 4: 8.7 ↗ 5: 7.4 ↗ 6: 9.4 ↘ 7: 8.9 ↖ 8: 9.1 ↘ 9: 9.2 ↘ 10: 9.9 ↗		11: 9.1 ↘ 12: 8.8 ↘ 13: 8.5 ↘ 14: 8.7 ↗ 15: 9.7 ↘ 16: 8.7 ↘ 17: 7.9 ↖ 18: 9.2 ↘ 19: 9.9 ↗ 20: 7.9 ↗
Series 70.0		Series 82.0	
Total 0.0		Total 0.0	

Sight		60 Shots	
	21: 8.0 ↗ 22: 9.5 ↘ 23: 9.2 ↘ 24: 10.8x → 25: 6.1 ↗ 26: 9.8 ↖ 27: 7.8 ↗ 28: 8.5 ↘		1: 9.4 ↗ 2: 9.5 ↗ 3: 8.8 ↘ 4: 8.8 ↗ 5: 9.8 ↘ 6: 8.9 ↖ 7: 10.6x ↘ 8: 5.6 ↗ 9: 9.0 ↘ 10: 8.4 ↗
Series 66.0		Series 83.0	
Total 0.0		Total 83.0	

60 Shots		60 Shots	
	11: 9.6 ↘ 12: 7.7 ↖ 13: 10.6x ↗ 14: 9.2 ↗ 15: 8.7 ↗ 16: 8.4 ↖ 17: 10.1 ↘ 18: 8.7 ↖ 19: 9.3 ↗ 20: 8.9 ↖		21: 10.3 ↖ 22: 8.0 ↘ 23: 8.2 → 24: 5.6 ↘ 25: 10.6x ↗ 26: 10.6x ↗ 27: 9.2 ↖ 28: 9.1 ↗ 29: 9.1 ↖ 30: 9.8 ↘
Series 86.0		Series 87.0	
Total 169.0		Total 256.0	

60 Shots		60 Shots	
	31: 6.3 ↗ 32: 9.6 ↘ 33: 9.1 ↘ 34: 9.7 ↖ 35: 8.7 ↗ 36: 8.5 ↗ 37: 9.1 ↘ 38: 9.8 ↗ 39: 9.5 ↖ 40: 9.9 ↘		41: 10.1 ↖ 42: 9.4 ↗ 43: 9.0 ↗ 44: 9.2 ↗ 45: 7.6 ↘ 46: 6.2 ↖ 47: 7.6 → 48: 8.4 ↘ 49: 7.6 → 50: 6.2 ↗
Series 85.0		Series 78.0	
Total 341.0		Total 419.0	

60 Shots			
	51: 9.7 ↘ 52: 8.4 ↖ 53: 10.2 ↖ 54: 8.6 → 55: 10.2 ↗ 56: 10.7x ↘ 57: 9.0 ↖ 58: 9.9 ↘ 59: 7.9 ↗ 60: 7.8 ↗		
Series 87.0			
Total 506.0			

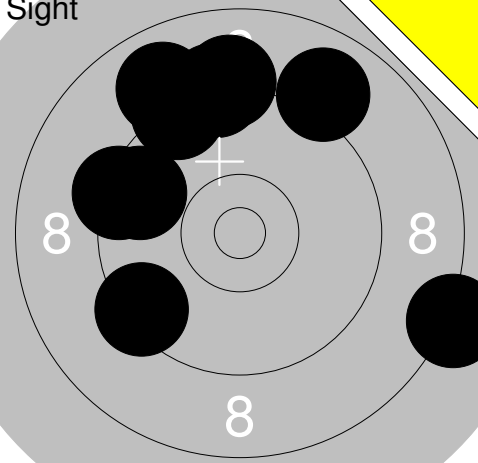
Relay	Lane	Arya Aresh	
S		Sundsvalls PK	
10.10.2015	UME-Skottet 2015	Umeå skytteallians	
Sight		1: 9.2 ↗ 3: 9.1 ← 4: 8.8 → 5: 10.4 ← 6: 10.4x ↘ 7: 9.7 ↗ 8: 9.3 → 9: 9.4 ↑ 10: 9.9 ↓	Sight  11: 9.0 ↗ 12: 9.3 → 13: 9.5 ↓ 14: 9.7 → 15: 8.4 ↗
		Series 82.0	Series 44.0
		Total 0.0	Total 0.0
60 Shots		1: 10.6x ↙ 2: 9.1 ↓ 3: 10.5x ↗ 4: 9.3 → 5: 9.4 ↘ 6: 10.0 ← 7: 9.0 ↑ 8: 9.8 ↗ 9: 9.8 ↑ 10: 10.1 →	60 Shots  11: 10.3 → 12: 10.5x ↘ 13: 9.3 → 14: 9.9 ← 15: 10.1 ↗ 16: 10.6x → 17: 9.3 ↑ 18: 9.5 ↑ 19: 9.0 → 20: 10.6x ↘
		Series 94.0	Series 95.0
		Total 94.0	Total 189.0
60 Shots		21: 8.5 → 22: 9.8 ↗ 23: 9.8 → 24: 9.9 ↓ 25: 9.4 ↗ 26: 10.6x ↓ 27: 9.1 → 28: 10.7x ↑ 29: 9.7 ← 30: 10.2 ↑	60 Shots  31: 8.4 ↗ 32: 9.3 ↘ 33: 8.7 ↑ 34: 10.0 → 35: 9.8 ↖ 36: 9.3 ↗ 37: 10.2 ↑ 38: 9.9 ↗ 39: 9.8 ↓ 40: 10.8x ↘
		Series 92.0	Series 91.0
		Total 281.0	Total 372.0
60 Shots		41: 9.5 ↑ 42: 9.4 ↘ 43: 9.2 ↘ 44: 9.8 ↓ 45: 9.6 ↘ 46: 10.5x ↗ 47: 9.9 ↗ 48: 8.8 → 49: 10.5x → 50: 9.2 ↓	60 Shots  51: 9.5 ↗ 52: 8.8 ↓ 53: 8.4 ↗ 54: 9.7 ← 55: 9.4 ↘ 56: 8.9 ↑ 57: 10.3 → 58: 9.6 ↑ 59: 8.7 → 60: 9.1 →
		Series 91.0	Series 87.0
		Total 463.0	Total 550.0

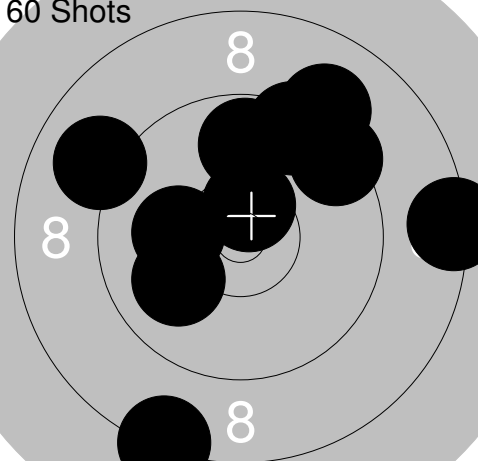
--	--	--

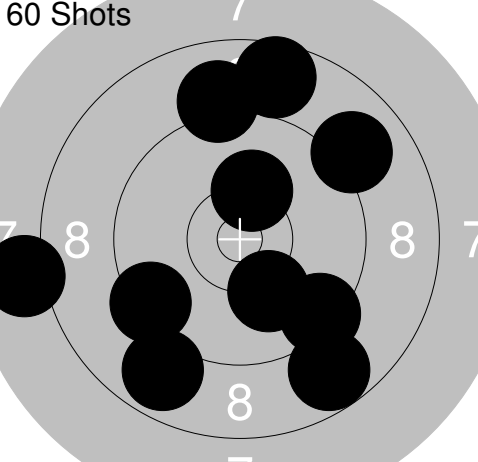
--	--	--

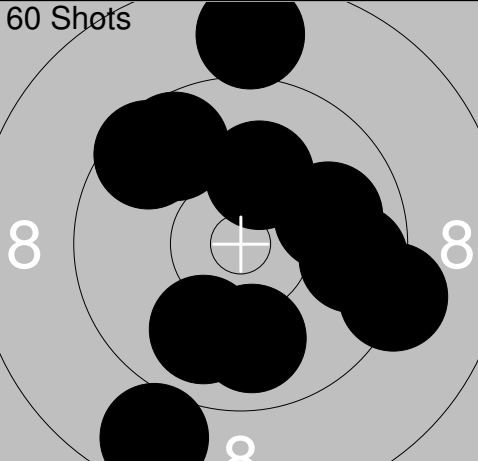
--	--	--

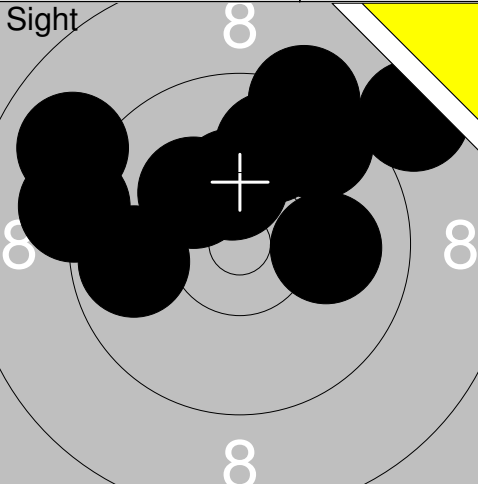
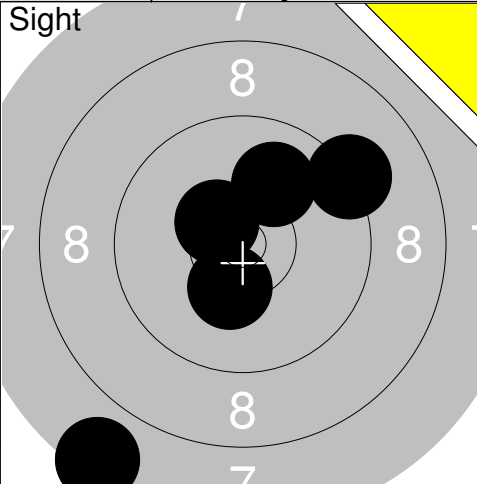
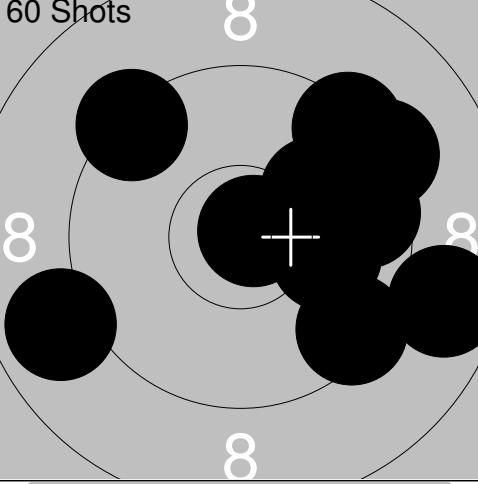
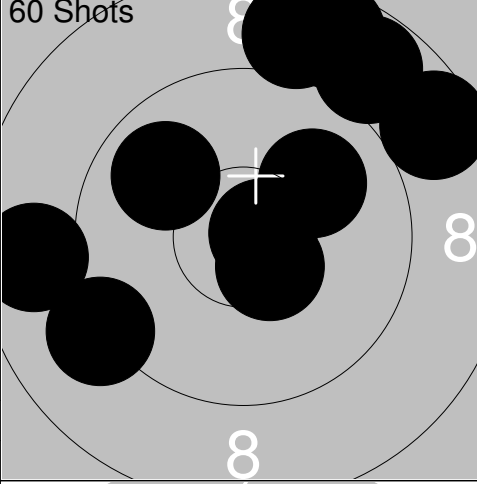
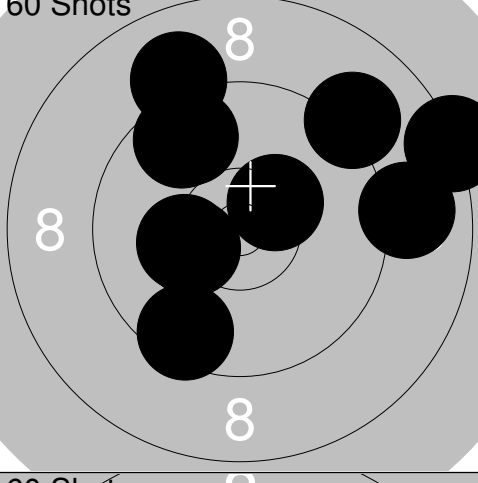
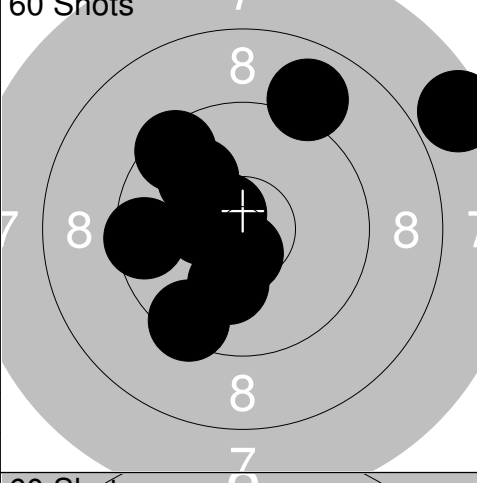
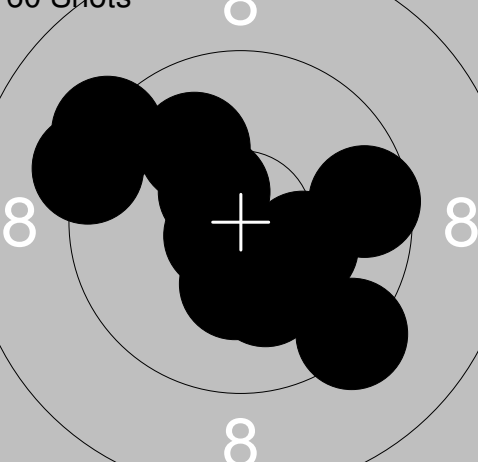
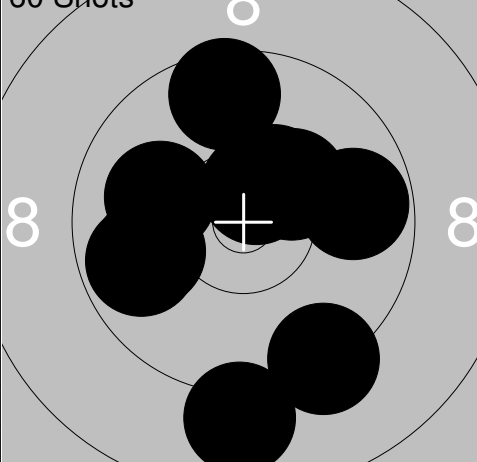
--	--	--

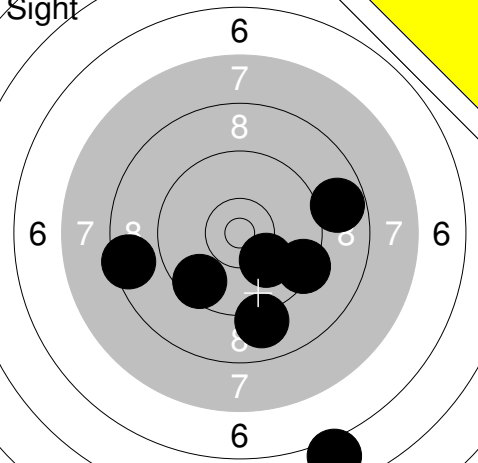
Sight		Sight																																																									
	<table border="1" style="width:100%; border-collapse: collapse;"> <tr><td>1:</td><td>9.3</td><td>↗</td></tr> <tr><td>2:</td><td>9.0</td><td>↗</td></tr> <tr><td>3:</td><td>9.2</td><td>↑</td></tr> <tr><td>4:</td><td>8.2</td><td>➔</td></tr> <tr><td>5:</td><td>9.6</td><td>↖</td></tr> <tr><td>6:</td><td>9.4</td><td>↙</td></tr> <tr><td>7:</td><td>9.4</td><td>↖</td></tr> <tr><td>8:</td><td>9.2</td><td>↑</td></tr> <tr><td>9:</td><td>9.0</td><td>↗</td></tr> <tr><td>10:</td><td>9.1</td><td>↑</td></tr> <tr><td colspan="2">Series</td><td>89.0</td></tr> <tr><td colspan="2">Total</td><td>0.0</td></tr> </table>	1:	9.3	↗	2:	9.0	↗	3:	9.2	↑	4:	8.2	➔	5:	9.6	↖	6:	9.4	↙	7:	9.4	↖	8:	9.2	↑	9:	9.0	↗	10:	9.1	↑	Series		89.0	Total		0.0	<table border="1" style="width:100%; border-collapse: collapse;"> <tr><td>11:</td><td>8.9</td><td>↗</td></tr> <tr><td>12:</td><td>9.7</td><td>↖</td></tr> <tr><td>13:</td><td>10.5x</td><td>↖</td></tr> <tr><td>14:</td><td>8.8</td><td>↘</td></tr> <tr><td>15:</td><td>9.4</td><td>↗</td></tr> <tr><td colspan="2">Series</td><td>44.0</td></tr> <tr><td colspan="2">Total</td><td>0.0</td></tr> </table>	11:	8.9	↗	12:	9.7	↖	13:	10.5x	↖	14:	8.8	↘	15:	9.4	↗	Series		44.0	Total		0.0
1:	9.3	↗																																																									
2:	9.0	↗																																																									
3:	9.2	↑																																																									
4:	8.2	➔																																																									
5:	9.6	↖																																																									
6:	9.4	↙																																																									
7:	9.4	↖																																																									
8:	9.2	↑																																																									
9:	9.0	↗																																																									
10:	9.1	↑																																																									
Series		89.0																																																									
Total		0.0																																																									
11:	8.9	↗																																																									
12:	9.7	↖																																																									
13:	10.5x	↖																																																									
14:	8.8	↘																																																									
15:	9.4	↗																																																									
Series		44.0																																																									
Total		0.0																																																									

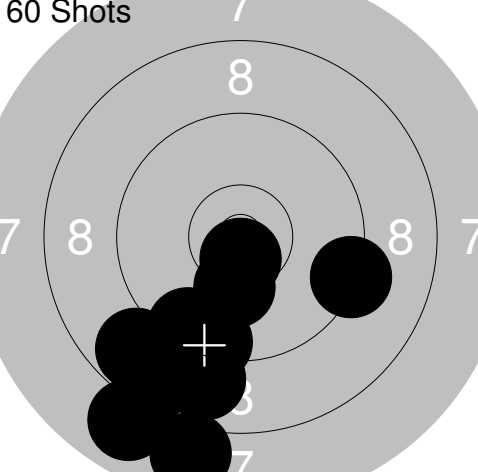
60 Shots		60 Shots																																																																								
	<table border="1" style="width:100%; border-collapse: collapse;"> <tr><td>1:</td><td>10.2</td><td>↖</td></tr> <tr><td>2:</td><td>9.5</td><td>↗</td></tr> <tr><td>3:</td><td>8.3</td><td>↘</td></tr> <tr><td>4:</td><td>9.5</td><td>↗</td></tr> <tr><td>5:</td><td>9.1</td><td>↗</td></tr> <tr><td>6:</td><td>10.0</td><td>↖</td></tr> <tr><td>7:</td><td>9.8</td><td>↑</td></tr> <tr><td>8:</td><td>9.0</td><td>↖</td></tr> <tr><td>9:</td><td>8.4</td><td>➔</td></tr> <tr><td>10:</td><td>10.6x</td><td>↑</td></tr> <tr><td colspan="2">Series</td><td>91.0</td></tr> <tr><td colspan="2">Total</td><td>91.0</td></tr> </table>	1:	10.2	↖	2:	9.5	↗	3:	8.3	↘	4:	9.5	↗	5:	9.1	↗	6:	10.0	↖	7:	9.8	↑	8:	9.0	↖	9:	8.4	➔	10:	10.6x	↑	Series		91.0	Total		91.0	<table border="1" style="width:100%; border-collapse: collapse;"> <tr><td>11:</td><td>8.7</td><td>↖</td></tr> <tr><td>12:</td><td>8.3</td><td>↘</td></tr> <tr><td>13:</td><td>9.5</td><td>↗</td></tr> <tr><td>14:</td><td>9.4</td><td>↘</td></tr> <tr><td>15:</td><td>10.0</td><td>➔</td></tr> <tr><td>16:</td><td>7.9</td><td>➔</td></tr> <tr><td>17:</td><td>10.1</td><td>↖</td></tr> <tr><td>18:</td><td>8.3</td><td>↘</td></tr> <tr><td>19:</td><td>8.8</td><td>↖</td></tr> <tr><td>20:</td><td>9.8</td><td>↖</td></tr> <tr><td colspan="2">Series</td><td>86.0</td></tr> <tr><td colspan="2">Total</td><td>177.0</td></tr> </table>	11:	8.7	↖	12:	8.3	↘	13:	9.5	↗	14:	9.4	↘	15:	10.0	➔	16:	7.9	➔	17:	10.1	↖	18:	8.3	↘	19:	8.8	↖	20:	9.8	↖	Series		86.0	Total		177.0
1:	10.2	↖																																																																								
2:	9.5	↗																																																																								
3:	8.3	↘																																																																								
4:	9.5	↗																																																																								
5:	9.1	↗																																																																								
6:	10.0	↖																																																																								
7:	9.8	↑																																																																								
8:	9.0	↖																																																																								
9:	8.4	➔																																																																								
10:	10.6x	↑																																																																								
Series		91.0																																																																								
Total		91.0																																																																								
11:	8.7	↖																																																																								
12:	8.3	↘																																																																								
13:	9.5	↗																																																																								
14:	9.4	↘																																																																								
15:	10.0	➔																																																																								
16:	7.9	➔																																																																								
17:	10.1	↖																																																																								
18:	8.3	↘																																																																								
19:	8.8	↖																																																																								
20:	9.8	↖																																																																								
Series		86.0																																																																								
Total		177.0																																																																								

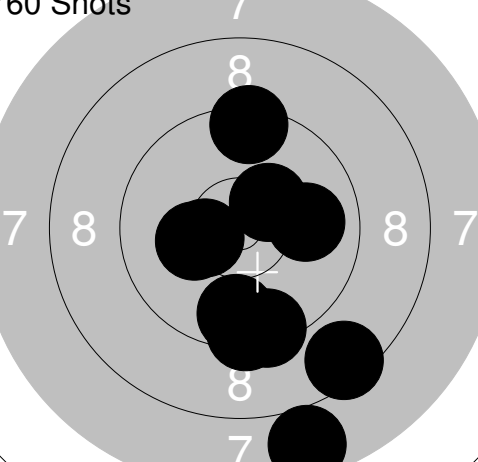
60 Shots		60 Shots																																																																								
	<table border="1" style="width:100%; border-collapse: collapse;"> <tr><td>21:</td><td>9.0</td><td>↗</td></tr> <tr><td>22:</td><td>10.1</td><td>↘</td></tr> <tr><td>23:</td><td>8.0</td><td>↖</td></tr> <tr><td>24:</td><td>9.1</td><td>↑</td></tr> <tr><td>25:</td><td>9.5</td><td>↘</td></tr> <tr><td>26:</td><td>8.8</td><td>↘</td></tr> <tr><td>27:</td><td>9.5</td><td>↖</td></tr> <tr><td>28:</td><td>10.3</td><td>↑</td></tr> <tr><td>29:</td><td>8.7</td><td>↑</td></tr> <tr><td>30:</td><td>8.9</td><td>↘</td></tr> <tr><td colspan="2">Series</td><td>88.0</td></tr> <tr><td colspan="2">Total</td><td>265.0</td></tr> </table>	21:	9.0	↗	22:	10.1	↘	23:	8.0	↖	24:	9.1	↑	25:	9.5	↘	26:	8.8	↘	27:	9.5	↖	28:	10.3	↑	29:	8.7	↑	30:	8.9	↘	Series		88.0	Total		265.0	<table border="1" style="width:100%; border-collapse: collapse;"> <tr><td>31:</td><td>9.6</td><td>➔</td></tr> <tr><td>32:</td><td>10.4x</td><td>↘</td></tr> <tr><td>33:</td><td>10.5x</td><td>↘</td></tr> <tr><td>34:</td><td>10.6x</td><td>↖</td></tr> <tr><td>35:</td><td>9.2</td><td>↘</td></tr> <tr><td>36:</td><td>9.2</td><td>↘</td></tr> <tr><td>37:</td><td>9.7</td><td>↑</td></tr> <tr><td>38:</td><td>10.1</td><td>↘</td></tr> <tr><td>39:</td><td>10.2</td><td>➔</td></tr> <tr><td>40:</td><td>7.9</td><td>↘</td></tr> <tr><td colspan="2">Series</td><td>93.0</td></tr> <tr><td colspan="2">Total</td><td>358.0</td></tr> </table>	31:	9.6	➔	32:	10.4x	↘	33:	10.5x	↘	34:	10.6x	↖	35:	9.2	↘	36:	9.2	↘	37:	9.7	↑	38:	10.1	↘	39:	10.2	➔	40:	7.9	↘	Series		93.0	Total		358.0
21:	9.0	↗																																																																								
22:	10.1	↘																																																																								
23:	8.0	↖																																																																								
24:	9.1	↑																																																																								
25:	9.5	↘																																																																								
26:	8.8	↘																																																																								
27:	9.5	↖																																																																								
28:	10.3	↑																																																																								
29:	8.7	↑																																																																								
30:	8.9	↘																																																																								
Series		88.0																																																																								
Total		265.0																																																																								
31:	9.6	➔																																																																								
32:	10.4x	↘																																																																								
33:	10.5x	↘																																																																								
34:	10.6x	↖																																																																								
35:	9.2	↘																																																																								
36:	9.2	↘																																																																								
37:	9.7	↑																																																																								
38:	10.1	↘																																																																								
39:	10.2	➔																																																																								
40:	7.9	↘																																																																								
Series		93.0																																																																								
Total		358.0																																																																								


60 Shots		60 Shots																																																																								
	<table border="1" style="width:100%; border-collapse: collapse;"> <tr><td>41:</td><td>9.7</td><td>↗</td></tr> <tr><td>42:</td><td>10.0</td><td>↘</td></tr> <tr><td>43:</td><td>8.8</td><td>↘</td></tr> <tr><td>44:</td><td>8.8</td><td>↑</td></tr> <tr><td>45:</td><td>10.0</td><td>↘</td></tr> <tr><td>46:</td><td>9.6</td><td>↗</td></tr> <tr><td>47:</td><td>10.2</td><td>↑</td></tr> <tr><td>48:</td><td>9.3</td><td>➔</td></tr> <tr><td>49:</td><td>10.0</td><td>➔</td></tr> <tr><td>50:</td><td>9.8</td><td>➔</td></tr> <tr><td colspan="2">Series</td><td>92.0</td></tr> <tr><td colspan="2">Total</td><td>450.0</td></tr> </table>	41:	9.7	↗	42:	10.0	↘	43:	8.8	↘	44:	8.8	↑	45:	10.0	↘	46:	9.6	↗	47:	10.2	↑	48:	9.3	➔	49:	10.0	➔	50:	9.8	➔	Series		92.0	Total		450.0	<table border="1" style="width:100%; border-collapse: collapse;"> <tr><td>51:</td><td>9.6</td><td>↘</td></tr> <tr><td>52:</td><td>10.4x</td><td>↗</td></tr> <tr><td>53:</td><td>10.3</td><td>➔</td></tr> <tr><td>54:</td><td>9.8</td><td>↘</td></tr> <tr><td>55:</td><td>7.4</td><td>↗</td></tr> <tr><td>56:</td><td>9.8</td><td>↘</td></tr> <tr><td>57:</td><td>10.4x</td><td>↖</td></tr> <tr><td>58:</td><td>9.1</td><td>↗</td></tr> <tr><td>59:</td><td>9.2</td><td>↗</td></tr> <tr><td>60:</td><td>10.2</td><td>↑</td></tr> <tr><td colspan="2">Series</td><td>92.0</td></tr> <tr><td colspan="2">Total</td><td>542.0</td></tr> </table>	51:	9.6	↘	52:	10.4x	↗	53:	10.3	➔	54:	9.8	↘	55:	7.4	↗	56:	9.8	↘	57:	10.4x	↖	58:	9.1	↗	59:	9.2	↗	60:	10.2	↑	Series		92.0	Total		542.0
41:	9.7	↗																																																																								
42:	10.0	↘																																																																								
43:	8.8	↘																																																																								
44:	8.8	↑																																																																								
45:	10.0	↘																																																																								
46:	9.6	↗																																																																								
47:	10.2	↑																																																																								
48:	9.3	➔																																																																								
49:	10.0	➔																																																																								
50:	9.8	➔																																																																								
Series		92.0																																																																								
Total		450.0																																																																								
51:	9.6	↘																																																																								
52:	10.4x	↗																																																																								
53:	10.3	➔																																																																								
54:	9.8	↘																																																																								
55:	7.4	↗																																																																								
56:	9.8	↘																																																																								
57:	10.4x	↖																																																																								
58:	9.1	↗																																																																								
59:	9.2	↗																																																																								
60:	10.2	↑																																																																								
Series		92.0																																																																								
Total		542.0																																																																								

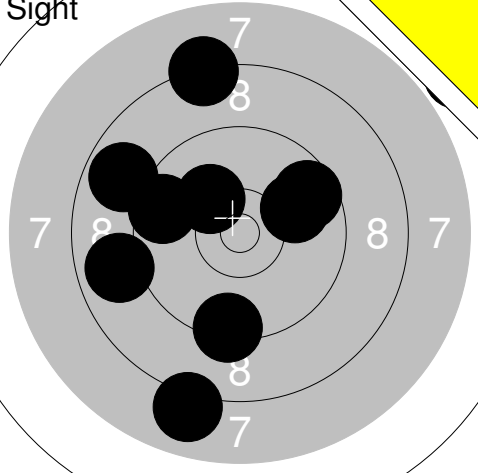
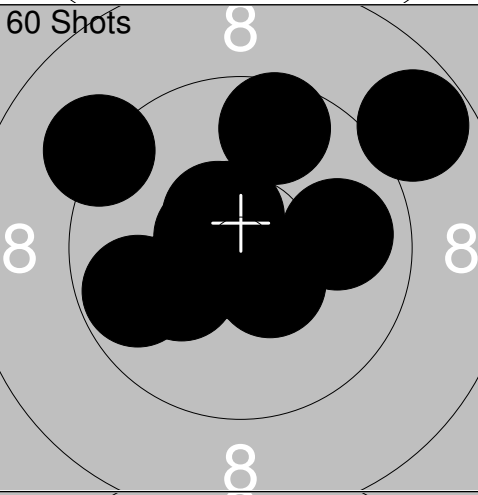
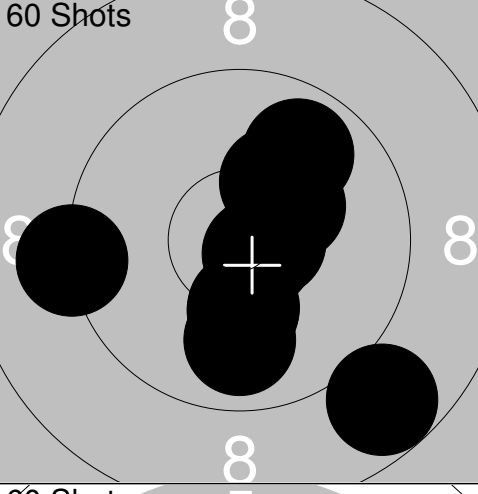
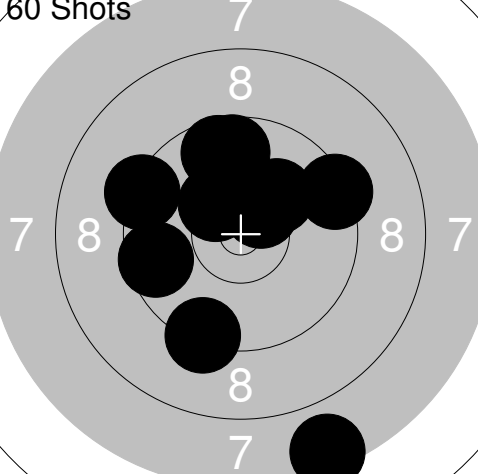
Relay	Lane	Lars Edvinsson	
S	Umeå Pk		
10.10.2015	UME-Skottet 2015	Umeå skytteallians	
Sight		1: 9.9 ↑ 2: 10.3 ↑ 3: 10.3 ↗ 4: 9.0 ↖ 5: 8.8 ↗ 6: 9.2 ← 7: 9.7 ↗ 8: 9.9 ← 9: 10.1 → 10: 9.4 ↑ Series 92.0 Total 0.0	Sight  11: 7.5 ↓ 12: 10.5x ↖ 13: 9.3 ↗ 14: 10.4 ↓ 15: 10.1 ↑ Series 46.0 Total 0.0
60 Shots		1: 9.4 ↗ 2: 10.8x ↗ 3: 9.7 → 4: 10.1 ↗ 5: 10.1 → 6: 8.8 → 7: 9.5 ↓ 8: 9.3 ↗ 9: 9.4 ↗ 10: 8.9 ← Series 91.0 Total 91.0	60 Shots  11: 8.7 ↑ 12: 8.8 ↑ 13: 10.5x ↓ 14: 9.2 ← 15: 10.1 ↗ 16: 9.9 ↖ 17: 8.8 ↗ 18: 10.7x → 19: 8.7 ↗ 20: 8.8 ← Series 88.0 Total 179.0
60 Shots		21: 9.6 ↓ 22: 9.0 → 23: 10.4x ↗ 24: 10.4 ← 25: 9.1 ↑ 26: 9.1 ↗ 27: 8.3 → 28: 10.3 ← 29: 9.7 ↗ 30: 9.7 ↗ Series 92.0 Total 271.0	60 Shots  31: 7.6 ↗ 32: 10.6x ↓ 33: 10.0 ↗ 34: 9.6 ↖ 35: 10.4x ← 36: 10.2 ↓ 37: 10.6x ↖ 38: 9.0 ↑ 39: 9.5 ↓ 40: 9.6 ← Series 93.0 Total 364.0
60 Shots		41: 10.6x ↗ 42: 9.4 ↓ 43: 9.3 ↖ 44: 10.3 → 45: 10.7x ↖ 46: 9.7 → 47: 9.3 ↗ 48: 10.3 ↓ 49: 10.1 ↗ 50: 10.2 ↓ Series 96.0 Total 460.0	60 Shots  51: 10.6x ↑ 52: 9.4 ↓ 53: 9.9 ← 54: 10.4x ↗ 55: 9.0 ↓ 56: 10.0 ← 57: 9.7 ↑ 58: 10.3 ↗ 59: 10.1 ← 60: 9.8 → Series 95.0 Total 555.0

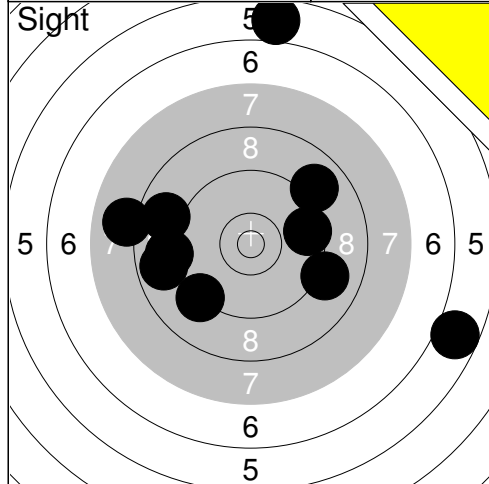
	<table style="width:100%; border-collapse: collapse;"> <tr><td>1: 9.6</td><td style="text-align:right;">↙</td></tr> <tr><td>2: 8.8</td><td style="text-align:right;">→</td></tr> <tr><td>3: 8.6</td><td style="text-align:right;">←</td></tr> <tr><td>4: 9.1</td><td style="text-align:right;">↘</td></tr> <tr><td>5: 5.9</td><td style="text-align:right;">↘</td></tr> <tr><td>6: 9.5</td><td style="text-align:right;">↘</td></tr> <tr><td>7: 10.2</td><td style="text-align:right;">↘</td></tr> <tr><td colspan="2">Series 58.0</td></tr> <tr><td colspan="2">Total 0.0</td></tr> </table>	1: 9.6	↙	2: 8.8	→	3: 8.6	←	4: 9.1	↘	5: 5.9	↘	6: 9.5	↘	7: 10.2	↘	Series 58.0		Total 0.0		<table style="width:100%; border-collapse: collapse;"> <tr><td colspan="2">60 Shots</td></tr> <tr><td>1: 10.2</td><td style="text-align:right;">→</td></tr> <tr><td>2: 10.1</td><td style="text-align:right;">→</td></tr> <tr><td>3: 9.0</td><td style="text-align:right;">↓</td></tr> <tr><td>4: 9.4</td><td style="text-align:right;">↘</td></tr> <tr><td>5: 9.4</td><td style="text-align:right;">↘</td></tr> <tr><td>6: 7.6</td><td style="text-align:right;">←</td></tr> <tr><td>7: 10.3</td><td style="text-align:right;">↑</td></tr> <tr><td>8: 8.1</td><td style="text-align:right;">↓</td></tr> <tr><td>9: 9.3</td><td style="text-align:right;">↘</td></tr> <tr><td>10: 10.0</td><td style="text-align:right;">←</td></tr> <tr><td colspan="2">Series 91.0</td></tr> <tr><td colspan="2">Total 91.0</td></tr> </table>	60 Shots		1: 10.2	→	2: 10.1	→	3: 9.0	↓	4: 9.4	↘	5: 9.4	↘	6: 7.6	←	7: 10.3	↑	8: 8.1	↓	9: 9.3	↘	10: 10.0	←	Series 91.0		Total 91.0	
1: 9.6	↙																																													
2: 8.8	→																																													
3: 8.6	←																																													
4: 9.1	↘																																													
5: 5.9	↘																																													
6: 9.5	↘																																													
7: 10.2	↘																																													
Series 58.0																																														
Total 0.0																																														
60 Shots																																														
1: 10.2	→																																													
2: 10.1	→																																													
3: 9.0	↓																																													
4: 9.4	↘																																													
5: 9.4	↘																																													
6: 7.6	←																																													
7: 10.3	↑																																													
8: 8.1	↓																																													
9: 9.3	↘																																													
10: 10.0	←																																													
Series 91.0																																														
Total 91.0																																														

	<table style="width:100%; border-collapse: collapse;"> <tr><td>11: 8.8</td><td style="text-align:right;">↙</td></tr> <tr><td>12: 9.4</td><td style="text-align:right;">↓</td></tr> <tr><td>13: 9.3</td><td style="text-align:right;">→</td></tr> <tr><td>14: 10.6x</td><td style="text-align:right;">↓</td></tr> <tr><td>15: 9.5</td><td style="text-align:right;">↘</td></tr> <tr><td>16: 8.0</td><td style="text-align:right;">↘</td></tr> <tr><td>17: 8.6</td><td style="text-align:right;">↘</td></tr> <tr><td>18: 8.9</td><td style="text-align:right;">↓</td></tr> <tr><td>19: 7.9</td><td style="text-align:right;">↓</td></tr> <tr><td>20: 10.3</td><td style="text-align:right;">↓</td></tr> <tr><td colspan="2">Series 86.0</td></tr> <tr><td colspan="2">Total 177.0</td></tr> </table>	11: 8.8	↙	12: 9.4	↓	13: 9.3	→	14: 10.6x	↓	15: 9.5	↘	16: 8.0	↘	17: 8.6	↘	18: 8.9	↓	19: 7.9	↓	20: 10.3	↓	Series 86.0		Total 177.0		<table style="width:100%; border-collapse: collapse;"> <tr><td colspan="2">60 Shots</td></tr> <tr><td>21: 9.7</td><td style="text-align:right;">→</td></tr> <tr><td>22: 9.2</td><td style="text-align:right;">↓</td></tr> <tr><td>23: 9.6</td><td style="text-align:right;">↗</td></tr> <tr><td>24: 9.9</td><td style="text-align:right;">←</td></tr> <tr><td>25: 7.8</td><td style="text-align:right;">→</td></tr> <tr><td>26: 9.5</td><td style="text-align:right;">←</td></tr> <tr><td>27: 9.7</td><td style="text-align:right;">↘</td></tr> <tr><td>28: 9.8</td><td style="text-align:right;">↑</td></tr> <tr><td>29: 7.9</td><td style="text-align:right;">↓</td></tr> <tr><td>30: 10.6x</td><td style="text-align:right;">←</td></tr> <tr><td colspan="2">Series 87.0</td></tr> <tr><td colspan="2">Total 264.0</td></tr> </table>	60 Shots		21: 9.7	→	22: 9.2	↓	23: 9.6	↗	24: 9.9	←	25: 7.8	→	26: 9.5	←	27: 9.7	↘	28: 9.8	↑	29: 7.9	↓	30: 10.6x	←	Series 87.0		Total 264.0	
11: 8.8	↙																																																			
12: 9.4	↓																																																			
13: 9.3	→																																																			
14: 10.6x	↓																																																			
15: 9.5	↘																																																			
16: 8.0	↘																																																			
17: 8.6	↘																																																			
18: 8.9	↓																																																			
19: 7.9	↓																																																			
20: 10.3	↓																																																			
Series 86.0																																																				
Total 177.0																																																				
60 Shots																																																				
21: 9.7	→																																																			
22: 9.2	↓																																																			
23: 9.6	↗																																																			
24: 9.9	←																																																			
25: 7.8	→																																																			
26: 9.5	←																																																			
27: 9.7	↘																																																			
28: 9.8	↑																																																			
29: 7.9	↓																																																			
30: 10.6x	←																																																			
Series 87.0																																																				
Total 264.0																																																				

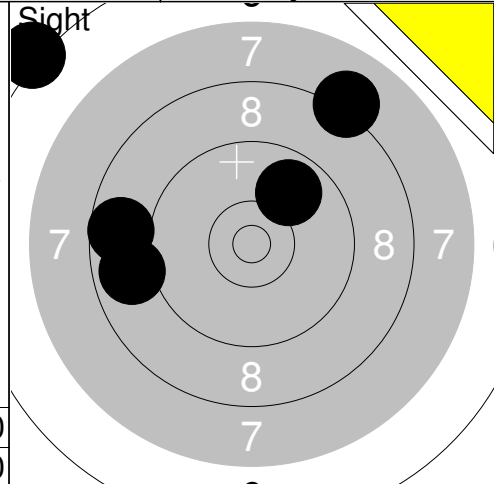
	<table style="width:100%; border-collapse: collapse;"> <tr><td>31: 10.4x</td><td style="text-align:right;">←</td></tr> <tr><td>32: 10.3</td><td style="text-align:right;">←</td></tr> <tr><td>33: 9.5</td><td style="text-align:right;">↑</td></tr> <tr><td>34: 7.7</td><td style="text-align:right;">↓</td></tr> <tr><td>35: 10.4x</td><td style="text-align:right;">↗</td></tr> <tr><td>36: 8.5</td><td style="text-align:right;">↘</td></tr> <tr><td>37: 10.0</td><td style="text-align:right;">→</td></tr> <tr><td>38: 9.5</td><td style="text-align:right;">↓</td></tr> <tr><td>39: 9.7</td><td style="text-align:right;">↓</td></tr> <tr><td>40: 9.5</td><td style="text-align:right;">↓</td></tr> <tr><td colspan="2">Series 91.0</td></tr> <tr><td colspan="2">Total 355.0</td></tr> </table>	31: 10.4x	←	32: 10.3	←	33: 9.5	↑	34: 7.7	↓	35: 10.4x	↗	36: 8.5	↘	37: 10.0	→	38: 9.5	↓	39: 9.7	↓	40: 9.5	↓	Series 91.0		Total 355.0		<table style="width:100%; border-collapse: collapse;"> <tr><td colspan="2">60 Shots</td></tr> <tr><td>41: 8.2</td><td style="text-align:right;">→</td></tr> <tr><td>42: 9.6</td><td style="text-align:right;">↖</td></tr> <tr><td>43: 8.9</td><td style="text-align:right;">↑</td></tr> <tr><td>44: 8.1</td><td style="text-align:right;">↑</td></tr> <tr><td>45: 10.2</td><td style="text-align:right;">←</td></tr> <tr><td>46: 10.7x</td><td style="text-align:right;">↓</td></tr> <tr><td>47: 10.2</td><td style="text-align:right;">→</td></tr> <tr><td>48: 8.8</td><td style="text-align:right;">←</td></tr> <tr><td>49: 9.4</td><td style="text-align:right;">↓</td></tr> <tr><td>50: 8.4</td><td style="text-align:right;">↓</td></tr> <tr><td colspan="2">Series 88.0</td></tr> <tr><td colspan="2">Total 443.0</td></tr> </table>	60 Shots		41: 8.2	→	42: 9.6	↖	43: 8.9	↑	44: 8.1	↑	45: 10.2	←	46: 10.7x	↓	47: 10.2	→	48: 8.8	←	49: 9.4	↓	50: 8.4	↓	Series 88.0		Total 443.0	
31: 10.4x	←																																																			
32: 10.3	←																																																			
33: 9.5	↑																																																			
34: 7.7	↓																																																			
35: 10.4x	↗																																																			
36: 8.5	↘																																																			
37: 10.0	→																																																			
38: 9.5	↓																																																			
39: 9.7	↓																																																			
40: 9.5	↓																																																			
Series 91.0																																																				
Total 355.0																																																				
60 Shots																																																				
41: 8.2	→																																																			
42: 9.6	↖																																																			
43: 8.9	↑																																																			
44: 8.1	↑																																																			
45: 10.2	←																																																			
46: 10.7x	↓																																																			
47: 10.2	→																																																			
48: 8.8	←																																																			
49: 9.4	↓																																																			
50: 8.4	↓																																																			
Series 88.0																																																				
Total 443.0																																																				

	<table style="width:100%; border-collapse: collapse;"> <tr><td>51: 8.9</td><td style="text-align:right;">↙</td></tr> <tr><td>52: 9.7</td><td style="text-align:right;">→</td></tr> <tr><td>53: 8.7</td><td style="text-align:right;">↓</td></tr> <tr><td>54: 9.3</td><td style="text-align:right;">↗</td></tr> <tr><td>55: 9.9</td><td style="text-align:right;">←</td></tr> <tr><td>56: 8.7</td><td style="text-align:right;">↑</td></tr> <tr><td>57: 8.4</td><td style="text-align:right;">↑</td></tr> <tr><td>58: 10.5x</td><td style="text-align:right;">↘</td></tr> <tr><td>59: 8.0</td><td style="text-align:right;">↗</td></tr> <tr><td>60: 9.1</td><td style="text-align:right;">←</td></tr> <tr><td colspan="2">Series 86.0</td></tr> <tr><td colspan="2">Total 529.0</td></tr> </table>	51: 8.9	↙	52: 9.7	→	53: 8.7	↓	54: 9.3	↗	55: 9.9	←	56: 8.7	↑	57: 8.4	↑	58: 10.5x	↘	59: 8.0	↗	60: 9.1	←	Series 86.0		Total 529.0		
51: 8.9	↙																									
52: 9.7	→																									
53: 8.7	↓																									
54: 9.3	↗																									
55: 9.9	←																									
56: 8.7	↑																									
57: 8.4	↑																									
58: 10.5x	↘																									
59: 8.0	↗																									
60: 9.1	←																									
Series 86.0																										
Total 529.0																										

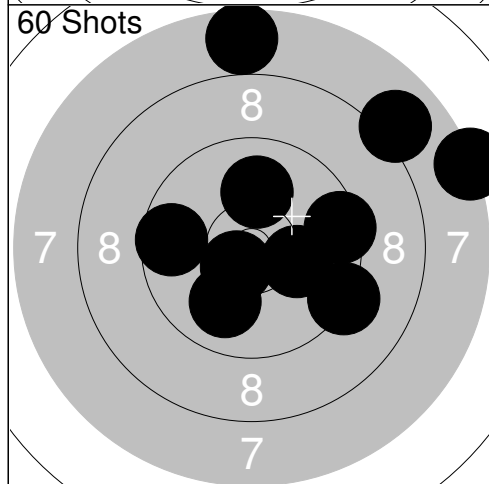
Relay	Lane	Pierre Danielsson	
S		Dorotea PSK	
10.10.2015	UME-Skottet 2015	Umeå skytteallians	
Sight		1: 8.0 ↓ 2: 9.4 ↓ 3: 9.6 ← 4: 6.6 ↗ 5: 8.9 ← 6: 9.7 ↗ 7: 10.2 ↗ 8: 10.0 → 9: 8.3 ↑ 10: 8.9 ←	Sight
		Series 85.0	11: 9.8 ↓
		Total 0.0	Series 9.0
			Total 0.0
60 Shots		1: 10.6x ↑ 2: 10.6x ↗ 3: 9.2 ↗ 4: 8.8 ↗ 5: 10.3 ← 6: 9.8 ← 7: 10.5x ↓ 8: 9.7 ↑ 9: 10.0 → 10: 10.6x ←	60 Shots
		Series 95.0	11: 9.4 ←
		Total 95.0	12: 10.0 ↙
			13: 10.7x ↘
			14: 9.9 ↗
			15: 9.0 ↑
			16: 9.7 ↙
			17: 8.7 ↓
			18: 8.5 →
			19: 8.8 ←
			20: 10.5x ←
		Series 95.0	Series 90.0
		Total 95.0	Total 185.0
60 Shots		21: 8.8 ↓ 22: 10.7x ↘ 23: 9.2 ← 24: 10.2 ↓ 25: 10.3 ↗ 26: 10.3 ↗ 27: 9.9 ↗ 28: 10.6x → 29: 9.9 ↓ 30: 10.3 ↓	60 Shots
		Series 95.0	31: 8.9 ↑
		Total 280.0	32: 9.7 ←
			33: 9.8 ↓
			34: 10.7x ↑
			35: 9.8 ↓
			36: 10.3 ↓
			37: 9.5 ←
			38: 9.7 ↗
			39: 10.5x ↘
			40: 9.3 ↓
		Series 95.0	Series 92.0
		Total 280.0	Total 372.0
60 Shots		41: 9.6 ← 42: 9.4 → 43: 9.7 ↑ 44: 7.5 ↓ 45: 9.4 ← 46: 9.7 ↑ 47: 10.5x ↗ 48: 9.4 ↓ 49: 10.2 ↗ 50: 10.4x ↖	60 Shots
		Series 91.0	51: 9.8 ←
		Total 463.0	52: 9.7 ↗
			53: 6.7 ↑
			54: 10.2 ↓
			55: 9.2 ↓
			56: 9.8 ↗
			57: 6.9 ↙
			58: 9.3 →
			59: 10.3 ←
			60: 9.9 ↘
		Series 91.0	Series 86.0
		Total 463.0	Total 549.0



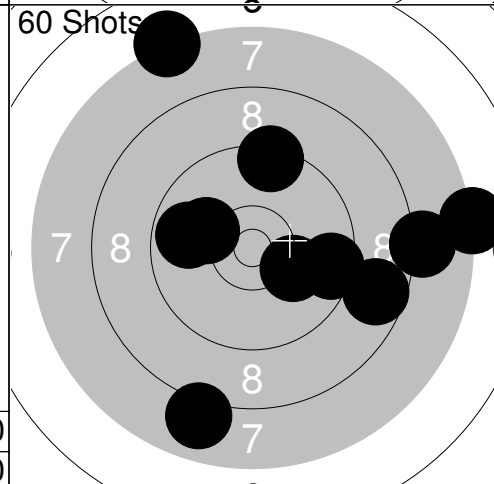
1:	8.9	↔
2:	5.7	↑
3:	9.2	↙
4:	9.0	←
5:	9.6	→
6:	5.8	↘
7:	8.0	←
8:	8.9	←
9:	9.1	↘
10:	9.0	↗
Series	79.0	
Total	0.0	



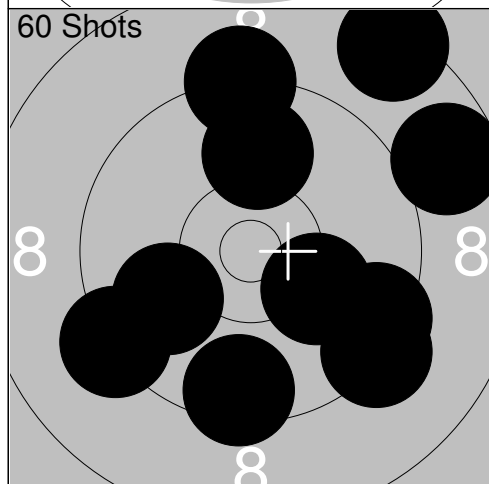
11:	8.1	↗
12:	9.9	↗
13:	6.1	↖
14:	6.4	↗
15:	8.7	←
16:	8.9	←
Series	45.0	
Total	0.0	



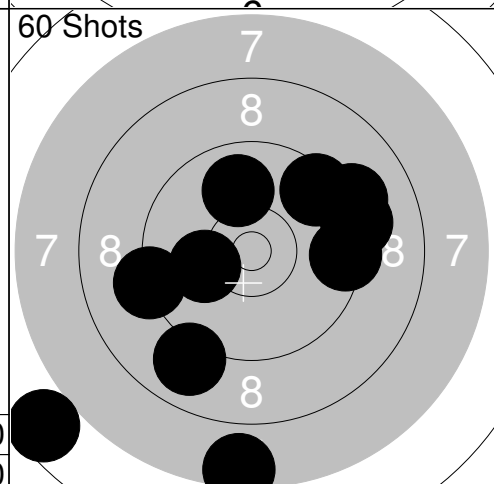
1:	8.0	↗
2:	9.5	→
3:	10.0	↙
4:	10.2	↘
5:	9.3	↘
6:	7.3	→
7:	9.7	←
8:	10.6x	↙
9:	7.7	↑
10:	10.1	↑
Series	89.0	
Total	89.0	



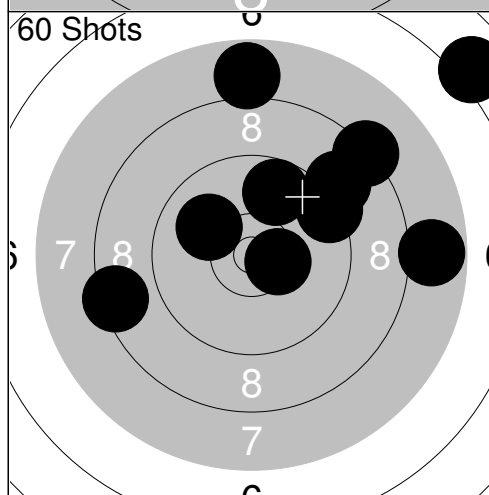
11:	7.2	↑
12:	9.9	←
13:	9.4	↑
14:	8.1	→
15:	8.7	↘
16:	8.0	↙
17:	10.2	↘
18:	9.6	→
19:	10.1	←
20:	7.2	→
Series	85.0	
Total	174.0	



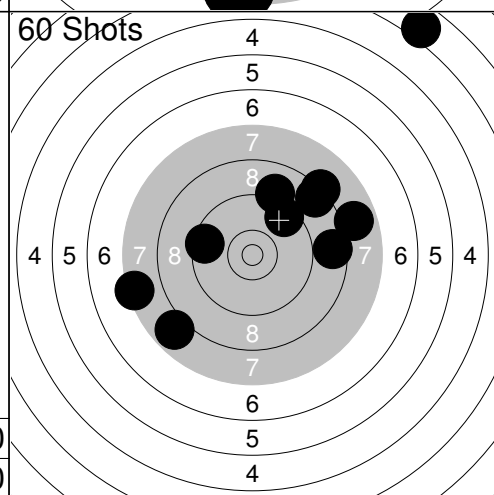
21:	9.5	↙
22:	9.2	↑
23:	9.3	↖
24:	9.3	↘
25:	10.0	↑
26:	8.8	→
27:	10.2	↘
28:	8.4	↗
29:	9.5	↘
30:	10.0	←
Series	91.0	
Total	265.0	



31:	9.0	↙
32:	9.2	→
33:	7.5	↙
34:	9.5	→
35:	6.7	↖
36:	10.2	←
37:	10.0	↑
38:	9.3	←
39:	9.2	↗
40:	9.6	↗
Series	87.0	
Total	352.0	



41:	10.1	↖
42:	10.5x	→
43:	9.4	↗
44:	6.0	↗
45:	9.8	↑
46:	8.3	↗
47:	9.0	↗
48:	7.8	→
49:	8.5	←
50:	7.9	↑
Series	83.0	
Total	435.0	



51:	2.9	↗
52:	9.1	↑
53:	7.9	↙
54:	8.5	↗
55:	9.6	←
56:	8.3	↗
57:	7.9	→
58:	7.4	←
59:	9.5	↗
60:	8.7	→
Series	74.0	
Total	509.0	

Relay	Lane	David Nording	
2	15		

S	Rundviks Pk		
---	-------------	--	--

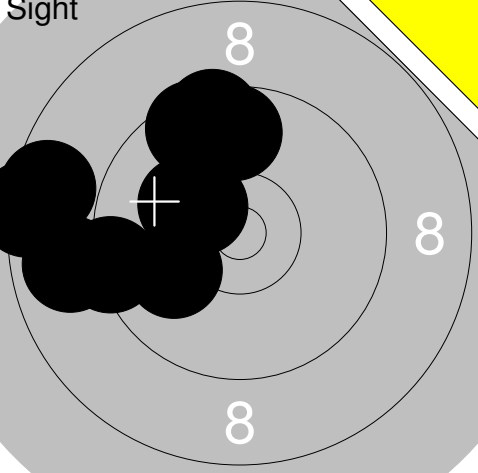
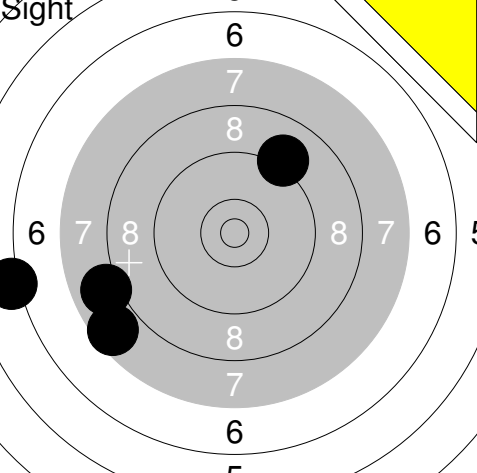
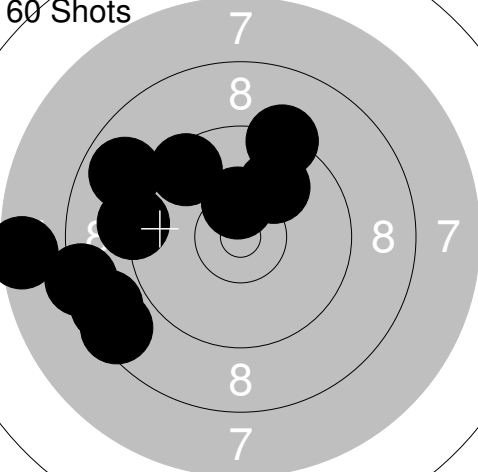
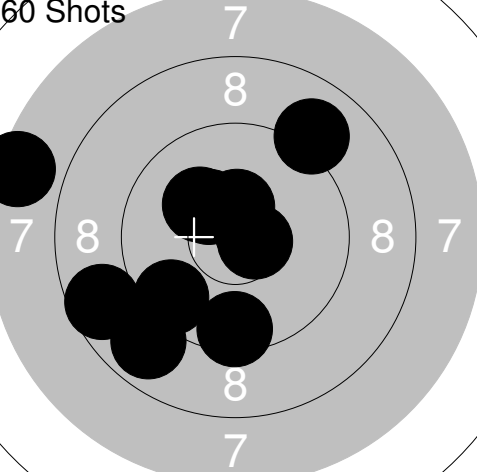
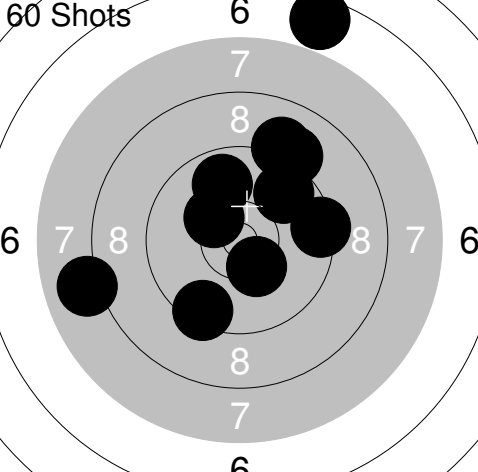
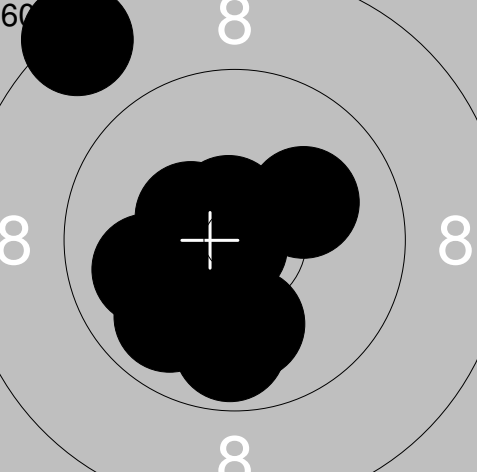
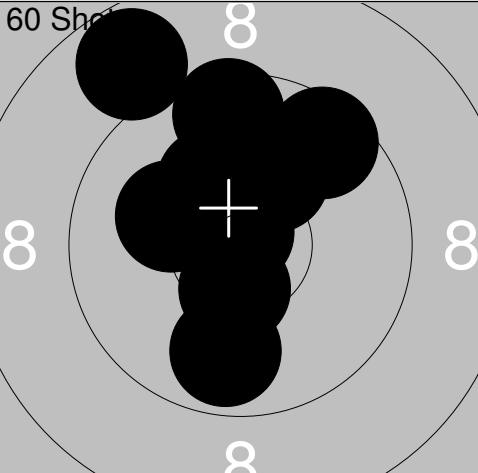
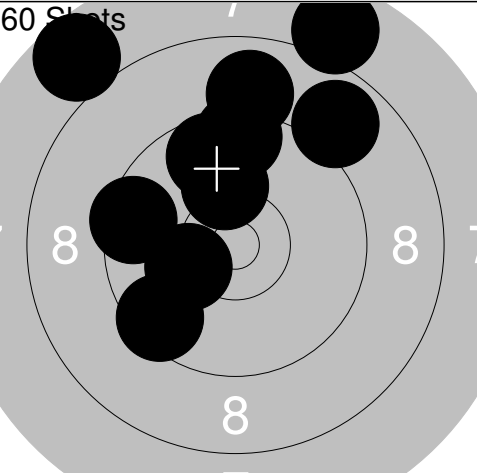
10.10.2015	UME-Skottet 2015	Umeå skytteallians	
------------	------------------	--------------------	--

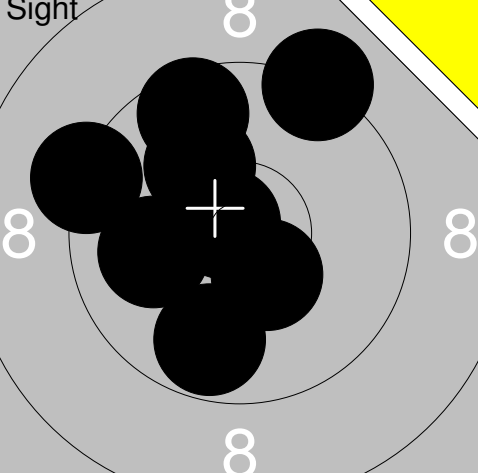
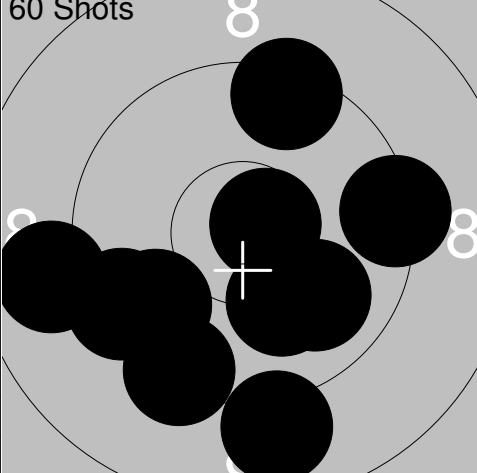
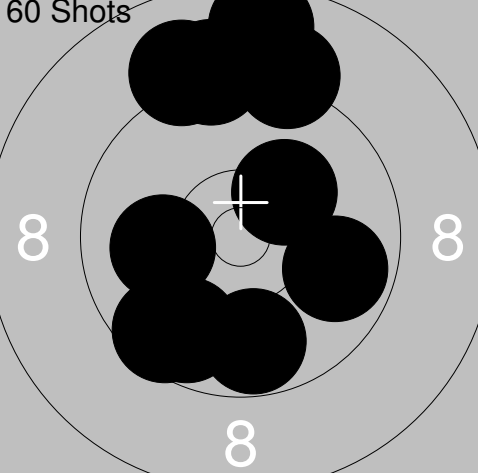
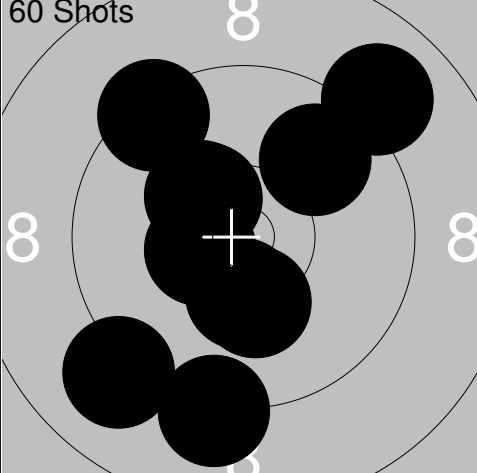
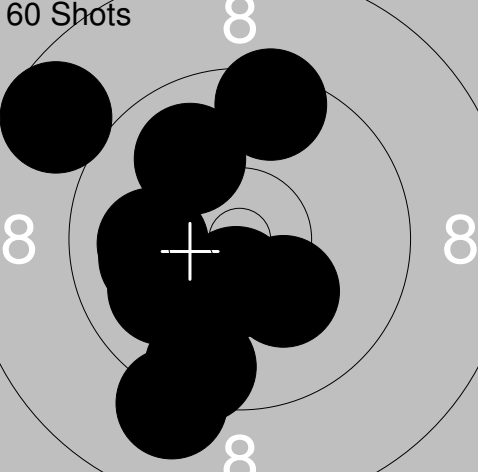
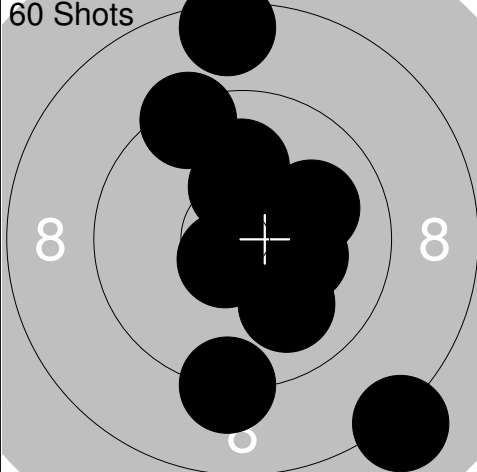
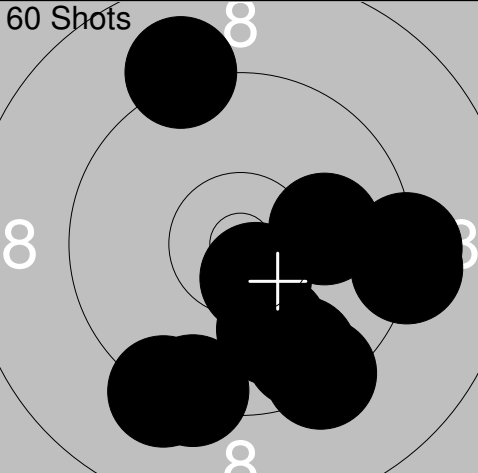
Sight 	1: 7.3 ↑	Sight 	11: 8.9 ↑
	2: 8.4 →		12: 8.7 ←
	3: 8.5 ↑		13: 9.6 ↗
	4: 9.6 ↓		14: 9.7 ↓
	5: 9.1 ↗		15: 10.3 ↘
	6: 9.5 ↗		16: 10.1 →
	7: 10.1 ↘		17: 9.2 ←
	8: 10.3 ↑		18: 10.8x ↘
	9: 9.9 ↘		
	10: 9.9 ↓		
Series	88.0	Series	73.0
Total	0.0	Total	0.0


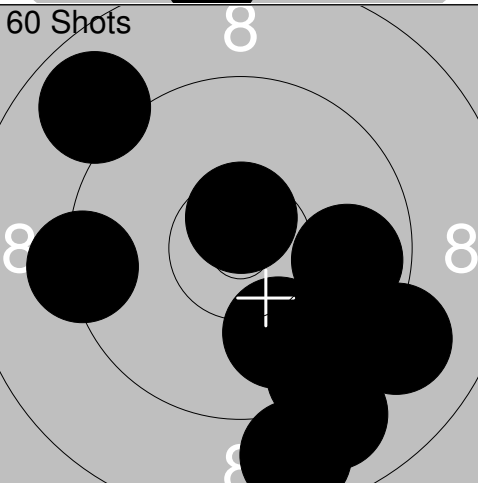
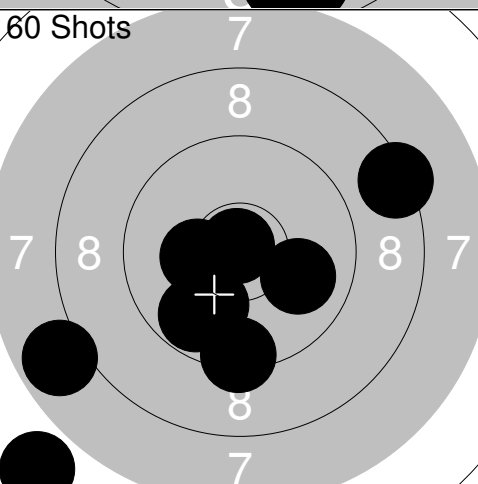
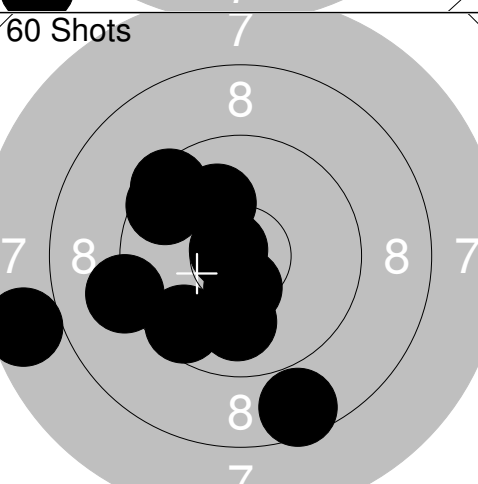
60 Shots 	1: 7.8 ↓	60 Shots 	11: 9.8 ↗
	2: 8.7 ←		12: 9.8 ↗
	3: 9.6 ↓		13: 10.3 ←
	4: 10.1 →		14: 9.1 ←
	5: 10.2 →		15: 9.8 →
	6: 8.4 ↓		16: 9.7 ↓
	7: 9.1 ↓		17: 8.6 ↓
	8: 9.1 ↓		18: 10.3 ←
	9: 9.8 →		19: 10.1 ↓
	10: 10.1 ↓		20: 8.8 →
Series	89.0	Series	91.0
Total	89.0	Total	180.0

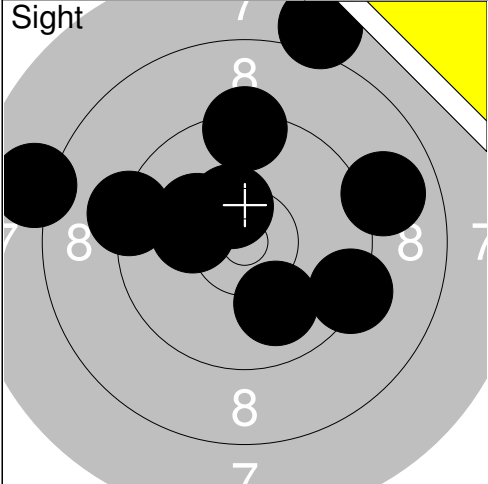
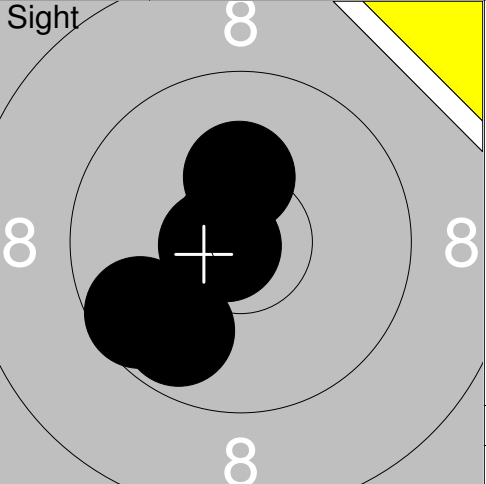
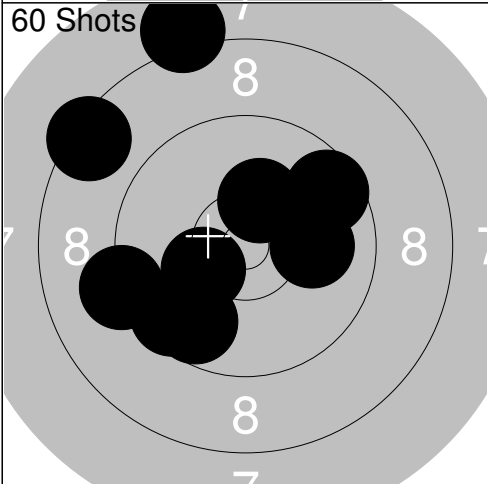
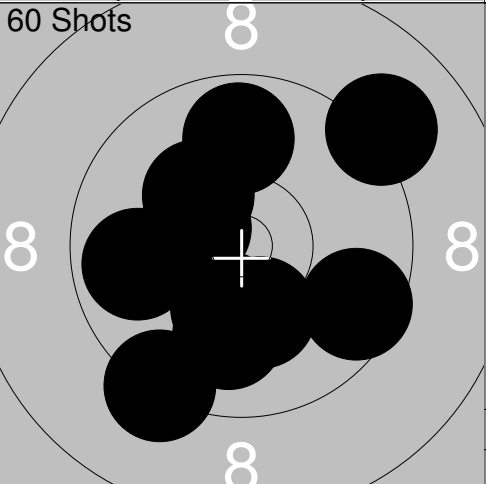
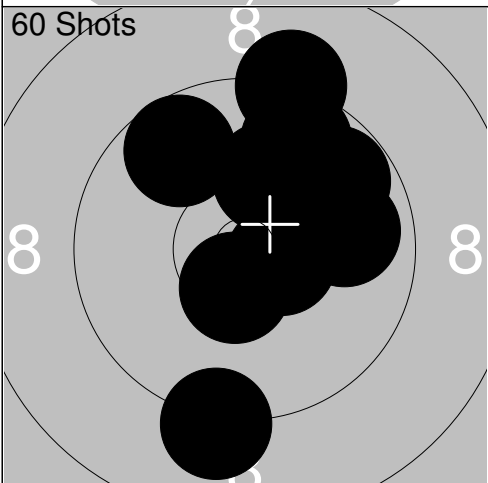
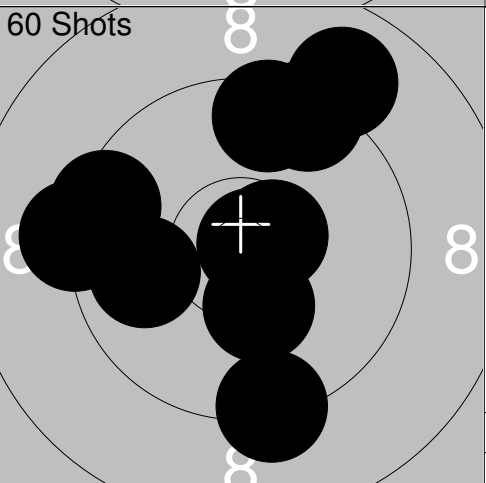
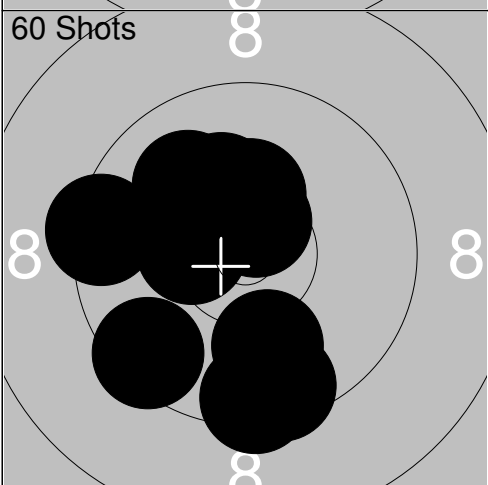
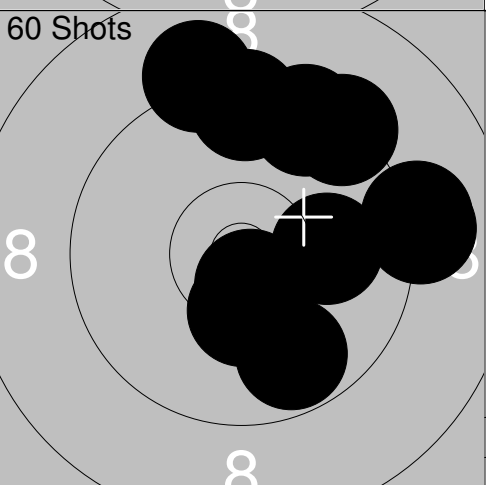
60 Shots 	21: 9.7 ↑	60 Shots 	31: 8.4 ↘
	22: 9.6 ↓		32: 10.0 ↓
	23: 10.1 ↓		33: 10.2 ↓
	24: 9.4 ←		34: 10.3 ↗
	25: 10.0 →		35: 10.4x ↗
	26: 10.6x ↘		36: 9.1 ↑
	27: 9.2 ↑		37: 10.2 ↓
	28: 10.7x ↓		38: 9.9 →
	29: 9.8 ↗		39: 8.9 ←
	30: 10.0 ↓		40: 10.2 ↘
Series	95.0	Series	94.0
Total	275.0	Total	369.0

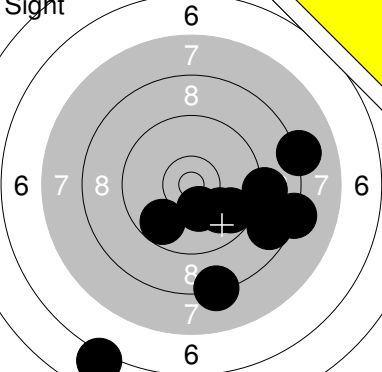
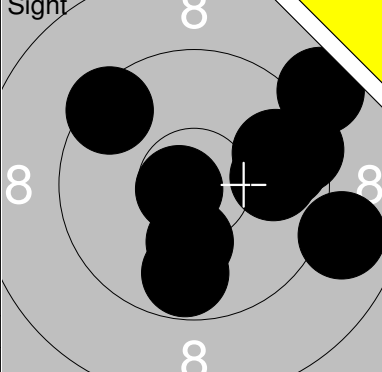
60 Shots 	41: 9.3 ↓	60 Shots 	51: 8.7 ↘
	42: 10.2 ↓		52: 8.7 ↑
	43: 7.8 ↗		53: 10.2 ↑
	44: 9.0 ↓		54: 8.8 ↓
	45: 10.5x ←		55: 10.6x ←
	46: 10.5x ←		56: 9.9 ↘
	47: 10.1 ↘		57: 9.6 ↗
	48: 9.5 ←		58: 9.7 ↓
	49: 9.4 ←		59: 8.6 ↗
	50: 8.6 ↑		60: 9.3 ↓
Series	91.0	Series	88.0
Total	460.0	Total	548.0

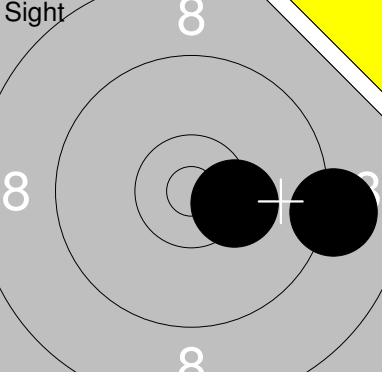
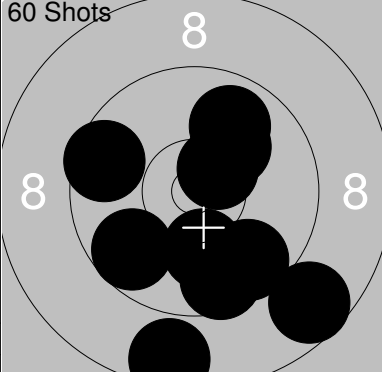
Relay	Lane	Jonas Larsson	
S		Malå Psk	
10.10.2015		UME-Skottet 2015	Umeå skytteallians
Sight		1: 9.8 ↑ 2: 9.6 ↗ 3: 9.6 ↑ 4: 9.4 ← 5: 8.9 ← 6: 10.1 ↙ 7: 8.4 ← 8: 10.2 ↙ 9: 10.4x ↘ 10: 8.6 ← Series 90.0 Total 0.0	Sight  11: 8.0 ← 12: 9.1 ↗ 13: 7.6 ↘ 14: 6.1 ← Series 30.0 Total 0.0
60 Shots		1: 7.6 ← 2: 9.3 ← 3: 8.6 ↙ 4: 9.6 ↗ 5: 9.3 ↗ 6: 10.0 ↗ 7: 8.6 ← 8: 10.4x ↑ 9: 8.4 ← 10: 8.9 ↙ Series 86.0 Total 86.0	60 Shots  11: 8.7 ← 12: 10.7x → 13: 9.6 ↓ 14: 10.2 ↗ 15: 9.6 ↙ 16: 7.5 ← 17: 10.3 ↗ 18: 10.5x ↑ 19: 8.9 ↙ 20: 9.0 ↗ Series 90.0 Total 176.0
60 Shots		21: 9.1 ↗ 22: 9.5 ↘ 23: 6.6 ↑ 24: 10.4x ↘ 25: 10.3 ↗ 26: 9.9 ↑ 27: 8.0 ← 28: 9.8 ↗ 29: 9.4 → 30: 9.1 ↗ Series 88.0 Total 264.0	60 Shots  31: 10.2 ↘ 32: 9.9 ↓ 33: 10.2 → 34: 10.7x ↑ 35: 10.1 ↓ 36: 10.5x ↙ 37: 9.9 ↘ 38: 10.9x ↘ 39: 10.0 ← 40: 8.4 ↗ Series 96.0 Total 360.0
60 Shots		41: 8.8 ↗ 42: 10.4 ↑ 43: 9.9 ↘ 44: 9.6 ↑ 45: 10.2 ↗ 46: 10.5x ↘ 47: 9.6 ↗ 48: 10.2 ← 49: 10.3 ↗ 50: 10.8x ↑ Series 95.0 Total 455.0	60 Shots  51: 9.6 ↘ 52: 7.7 ↗ 53: 8.9 ↗ 54: 9.6 ← 55: 10.3 ← 56: 7.9 ↑ 57: 9.7 ↑ 58: 9.5 ↑ 59: 9.0 ↑ 60: 10.2 ↑ Series 87.0 Total 542.0

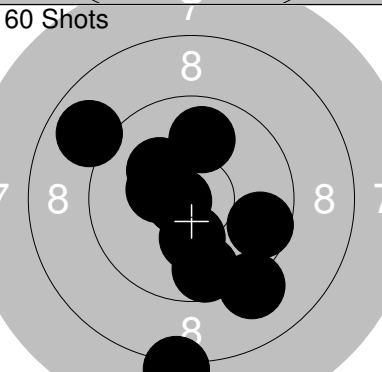
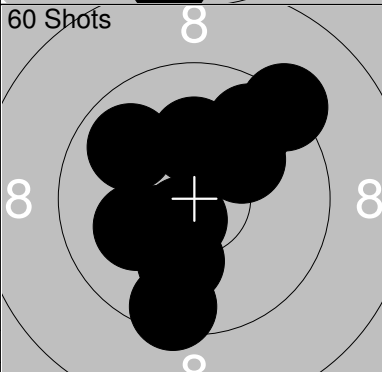
	<table border="1" style="width:100%; border-collapse: collapse;"> <tr><td>1: 10.8x ↖</td></tr> <tr><td>2: 9.8 ↓</td></tr> <tr><td>3: 9.7 ↑</td></tr> <tr><td>4: 9.3 ↗</td></tr> <tr><td>5: 9.3 ↖</td></tr> <tr><td>6: 10.1 ←</td></tr> <tr><td>7: 10.2 ↗</td></tr> <tr><td>8: 10.5x ↓</td></tr> <tr><td>Series 76.0</td></tr> <tr><td>Total 0.0</td></tr> </table>	1: 10.8x ↖	2: 9.8 ↓	3: 9.7 ↑	4: 9.3 ↗	5: 9.3 ↖	6: 10.1 ←	7: 10.2 ↗	8: 10.5x ↓	Series 76.0	Total 0.0	 <table border="1" style="width:100%; border-collapse: collapse;"> <tr><td>1: 9.0 ↓</td></tr> <tr><td>2: 9.5 ↖</td></tr> <tr><td>3: 10.7x ↗</td></tr> <tr><td>4: 9.4 ↓</td></tr> <tr><td>5: 10.0 ↘</td></tr> <tr><td>6: 9.4 →</td></tr> <tr><td>7: 9.5 ↑</td></tr> <tr><td>8: 10.2 ↓</td></tr> <tr><td>9: 9.8 ↖</td></tr> <tr><td>10: 9.0 ←</td></tr> <tr><td>Series 93.0</td></tr> <tr><td>Total 93.0</td></tr> </table>	1: 9.0 ↓	2: 9.5 ↖	3: 10.7x ↗	4: 9.4 ↓	5: 10.0 ↘	6: 9.4 →	7: 9.5 ↑	8: 10.2 ↓	9: 9.8 ↖	10: 9.0 ←	Series 93.0	Total 93.0		
1: 10.8x ↖																										
2: 9.8 ↓																										
3: 9.7 ↑																										
4: 9.3 ↗																										
5: 9.3 ↖																										
6: 10.1 ←																										
7: 10.2 ↗																										
8: 10.5x ↓																										
Series 76.0																										
Total 0.0																										
1: 9.0 ↓																										
2: 9.5 ↖																										
3: 10.7x ↗																										
4: 9.4 ↓																										
5: 10.0 ↘																										
6: 9.4 →																										
7: 9.5 ↑																										
8: 10.2 ↓																										
9: 9.8 ↖																										
10: 9.0 ←																										
Series 93.0																										
Total 93.0																										
	<table border="1" style="width:100%; border-collapse: collapse;"> <tr><td>11: 9.2 ↑</td></tr> <tr><td>12: 10.1 ←</td></tr> <tr><td>13: 9.2 ↑</td></tr> <tr><td>14: 8.7 ↑</td></tr> <tr><td>15: 9.7 ↓</td></tr> <tr><td>16: 9.9 →</td></tr> <tr><td>17: 9.8 ↓</td></tr> <tr><td>18: 9.1 ↑</td></tr> <tr><td>19: 9.8 ↓</td></tr> <tr><td>20: 10.3 ↗</td></tr> <tr><td>Series 91.0</td></tr> <tr><td>Total 184.0</td></tr> </table>	11: 9.2 ↑	12: 10.1 ←	13: 9.2 ↑	14: 8.7 ↑	15: 9.7 ↓	16: 9.9 →	17: 9.8 ↓	18: 9.1 ↑	19: 9.8 ↓	20: 10.3 ↗	Series 91.0	Total 184.0	 <table border="1" style="width:100%; border-collapse: collapse;"> <tr><td>21: 10.4x ↖</td></tr> <tr><td>22: 9.0 ↗</td></tr> <tr><td>23: 10.4x ↖</td></tr> <tr><td>24: 9.4 ↗</td></tr> <tr><td>25: 9.9 ↗</td></tr> <tr><td>26: 10.3 ↓</td></tr> <tr><td>27: 10.4x ↓</td></tr> <tr><td>28: 9.2 ↓</td></tr> <tr><td>29: 9.1 ↘</td></tr> <tr><td>30: 10.5x ←</td></tr> <tr><td>Series 95.0</td></tr> <tr><td>Total 279.0</td></tr> </table>	21: 10.4x ↖	22: 9.0 ↗	23: 10.4x ↖	24: 9.4 ↗	25: 9.9 ↗	26: 10.3 ↓	27: 10.4x ↓	28: 9.2 ↓	29: 9.1 ↘	30: 10.5x ←	Series 95.0	Total 279.0
11: 9.2 ↑																										
12: 10.1 ←																										
13: 9.2 ↑																										
14: 8.7 ↑																										
15: 9.7 ↓																										
16: 9.9 →																										
17: 9.8 ↓																										
18: 9.1 ↑																										
19: 9.8 ↓																										
20: 10.3 ↗																										
Series 91.0																										
Total 184.0																										
21: 10.4x ↖																										
22: 9.0 ↗																										
23: 10.4x ↖																										
24: 9.4 ↗																										
25: 9.9 ↗																										
26: 10.3 ↓																										
27: 10.4x ↓																										
28: 9.2 ↓																										
29: 9.1 ↘																										
30: 10.5x ←																										
Series 95.0																										
Total 279.0																										
	<table border="1" style="width:100%; border-collapse: collapse;"> <tr><td>31: 10.5x ↓</td></tr> <tr><td>32: 9.6 ↑</td></tr> <tr><td>33: 10.1 ←</td></tr> <tr><td>34: 9.6 ↓</td></tr> <tr><td>35: 8.7 ↗</td></tr> <tr><td>36: 10.1 ←</td></tr> <tr><td>37: 10.0 ↘</td></tr> <tr><td>38: 9.2 ↓</td></tr> <tr><td>39: 10.0 ↗</td></tr> <tr><td>40: 10.3 ↓</td></tr> <tr><td>Series 95.0</td></tr> <tr><td>Total 374.0</td></tr> </table>	31: 10.5x ↓	32: 9.6 ↑	33: 10.1 ←	34: 9.6 ↓	35: 8.7 ↗	36: 10.1 ←	37: 10.0 ↘	38: 9.2 ↓	39: 10.0 ↗	40: 10.3 ↓	Series 95.0	Total 374.0	 <table border="1" style="width:100%; border-collapse: collapse;"> <tr><td>41: 9.3 ↓</td></tr> <tr><td>42: 8.5 ↑</td></tr> <tr><td>43: 10.6x ↘</td></tr> <tr><td>44: 8.1 ↓</td></tr> <tr><td>45: 10.0 ↓</td></tr> <tr><td>46: 10.3 →</td></tr> <tr><td>47: 10.3 ↑</td></tr> <tr><td>48: 10.1 ↑</td></tr> <tr><td>49: 10.1 ↗</td></tr> <tr><td>50: 9.4 ↑</td></tr> <tr><td>Series 94.0</td></tr> <tr><td>Total 468.0</td></tr> </table>	41: 9.3 ↓	42: 8.5 ↑	43: 10.6x ↘	44: 8.1 ↓	45: 10.0 ↓	46: 10.3 →	47: 10.3 ↑	48: 10.1 ↑	49: 10.1 ↗	50: 9.4 ↑	Series 94.0	Total 468.0
31: 10.5x ↓																										
32: 9.6 ↑																										
33: 10.1 ←																										
34: 9.6 ↓																										
35: 8.7 ↗																										
36: 10.1 ←																										
37: 10.0 ↘																										
38: 9.2 ↓																										
39: 10.0 ↗																										
40: 10.3 ↓																										
Series 95.0																										
Total 374.0																										
41: 9.3 ↓																										
42: 8.5 ↑																										
43: 10.6x ↘																										
44: 8.1 ↓																										
45: 10.0 ↓																										
46: 10.3 →																										
47: 10.3 ↑																										
48: 10.1 ↑																										
49: 10.1 ↗																										
50: 9.4 ↑																										
Series 94.0																										
Total 468.0																										
	<table border="1" style="width:100%; border-collapse: collapse;"> <tr><td>51: 9.4 ↓</td></tr> <tr><td>52: 9.3 →</td></tr> <tr><td>53: 9.3 ↓</td></tr> <tr><td>54: 10.0 ↓</td></tr> <tr><td>55: 9.4 ↓</td></tr> <tr><td>56: 10.1 →</td></tr> <tr><td>57: 9.1 ↗</td></tr> <tr><td>58: 9.7 ↓</td></tr> <tr><td>59: 10.6x ↓</td></tr> <tr><td>60: 9.3 →</td></tr> <tr><td>Series 93.0</td></tr> <tr><td>Total 561.0</td></tr> </table>	51: 9.4 ↓	52: 9.3 →	53: 9.3 ↓	54: 10.0 ↓	55: 9.4 ↓	56: 10.1 →	57: 9.1 ↗	58: 9.7 ↓	59: 10.6x ↓	60: 9.3 →	Series 93.0	Total 561.0													
51: 9.4 ↓																										
52: 9.3 →																										
53: 9.3 ↓																										
54: 10.0 ↓																										
55: 9.4 ↓																										
56: 10.1 →																										
57: 9.1 ↗																										
58: 9.7 ↓																										
59: 10.6x ↓																										
60: 9.3 →																										
Series 93.0																										
Total 561.0																										

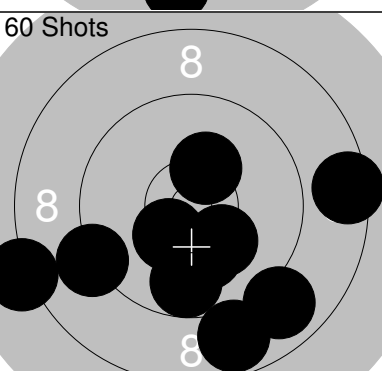
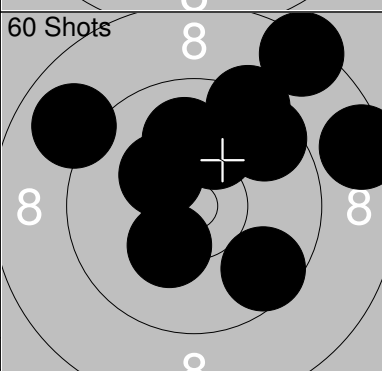
Relay	Lane	Patrik Eriksson	
S		Kramfors PSK	
10.10.2015	UME-Skottet 2015	Umeå skytteallians	
Sight		1: 8.4 ↓ 2: 9.3 ↓ 3: 10.3 ← 4: 9.2 ↓ 5: 9.6 ↓ 6: 10.5x ↙ 7: 10.5x ↗ 8: 8.8 → 9: 10.3 ↓ 10: 9.9 ↗	Sight
		Series 92.0	11: 9.8 ↓
		Total 0.0	12: 10.1 ↑
			Series 19.0
			Total 0.0
60 Shots		1: 9.9 → 2: 9.4 ← 3: 9.4 ↓ 4: 9.0 ↓ 5: 9.8 ↓ 6: 9.1 ↓ 7: 10.6x ↑ 8: 10.0 ↓ 9: 8.8 ↓ 10: 8.9 ↗	60 Shots
		Series 90.0	11: 10.6x ↗
		Total 90.0	12: 9.8 ↗
			13: 9.7 ↗
			14: 8.8 ↗
			15: 9.1 ↓
			16: 10.2 ↗
			17: 9.8 ↓
			18: 9.8 ←
			19: 9.6 →
			20: 9.3 ←
			Series 91.0
			Total 181.0
60 Shots		21: 10.3 ← 22: 10.5x ← 23: 9.4 ↓ 24: 10.0 → 25: 6.6 ↓ 26: 10.9x ↗ 27: 10.1 ↓ 28: 9.8 ↓ 29: 8.4 → 30: 7.9 ←	60 Shots
		Series 89.0	31: 9.0 ↑
		Total 270.0	32: 8.4 ↓
			33: 9.7 ↓
			34: 10.5x ←
			35: 10.7x →
			36: 9.5 ↓
			37: 8.9 ←
			38: 8.9 ↗
			39: 9.3 ←
			40: 9.4 ↑
			Series 89.0
			Total 359.0
60 Shots		41: 9.7 ↓ 42: 10.5x ↓ 43: 7.7 ← 44: 9.2 ← 45: 9.6 ↗ 46: 9.7 ↗ 47: 8.7 ↓ 48: 10.1 ↗ 49: 10.0 ↓ 50: 10.8x ↗	60 Shots
		Series 91.0	51: 9.8 ←
		Total 450.0	52: 9.9 →
			53: 10.0 →
			54: 9.4 ←
			55: 9.8 ←
			56: 9.6 ↓
			57: 8.4 ↓
			58: 10.5x ↗
			59: 8.8 ←
			60: 9.9 →
			Series 90.0
			Total 540.0

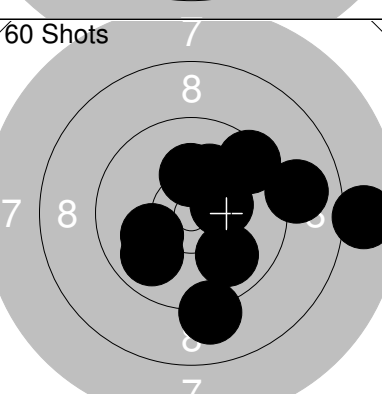
Relay	Lane	Tomas Backlund	
S	Vännäs Psk		
10.10.2015	UME-Skottet 2015	Umeå skytteallians	
Sight		1: 9.4 ↘ 2: 9.0 → 3: 10.4x ↗ 4: 10.2 ↖ 5: 9.4 ↑ 6: 7.9 ↗ 7: 10.0 ↓ 8: 9.3 ← 9: 8.0 ← 10: 10.2 ← Series 91.0 Total 0.0	Sight  11: 9.9 ↓ 12: 10.7x ← 13: 10.8x ← 14: 9.7 ↖ 15: 10.3 ↑ Series 48.0 Total 0.0
60 Shots		1: 8.5 ↖ 2: 10.1 → 3: 10.3 ← 4: 9.7 ↗ 5: 9.6 ↖ 6: 10.3 ↑ 7: 9.9 ↖ 8: 9.8 ↘ 9: 8.0 ↑ 10: 9.2 ← Series 91.0 Total 91.0	60 Shots  11: 10.3 ↓ 12: 9.9 ↑ 13: 9.9 ← 14: 10.3 ↖ 15: 10.5x ↖ 16: 10.3 ↓ 17: 9.1 ↗ 18: 9.3 ↘ 19: 10.1 ↓ 20: 9.7 ↘ Series 95.0 Total 186.0
60 Shots		21: 9.8 ↖ 22: 9.9 → 23: 10.5x ↓ 24: 9.8 ↗ 25: 9.2 ↓ 26: 9.8 ↗ 27: 10.2 ↑ 28: 9.2 ↗ 29: 10.1 ↗ 30: 10.6x → Series 94.0 Total 280.0	60 Shots  31: 10.8x ↗ 32: 10.6x ↗ 33: 9.3 ↓ 34: 9.0 ↗ 35: 10.0 ← 36: 10.4 ↓ 37: 9.6 ↑ 38: 9.3 ← 39: 9.4 ↗ 40: 9.5 ← Series 94.0 Total 374.0
60 Shots		41: 10.1 ↖ 42: 9.5 ← 43: 10.2 ↗ 44: 9.5 ↓ 45: 10.4x ← 46: 9.6 ↖ 47: 9.6 ↘ 48: 10.3 ↑ 49: 10.6x ↗ 50: 10.0 ↓ Series 96.0 Total 470.0	60 Shots  51: 9.1 ↑ 52: 9.2 → 53: 9.5 ↑ 54: 10.6x ↓ 55: 10.1 → 56: 9.8 ↘ 57: 9.1 → 58: 10.4x ↓ 59: 9.5 ↗ 60: 9.4 ↗ Series 93.0 Total 563.0

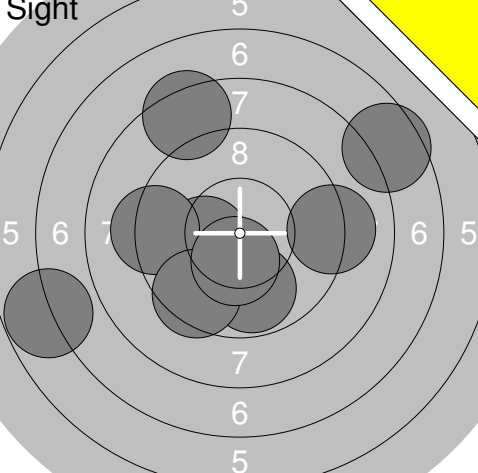
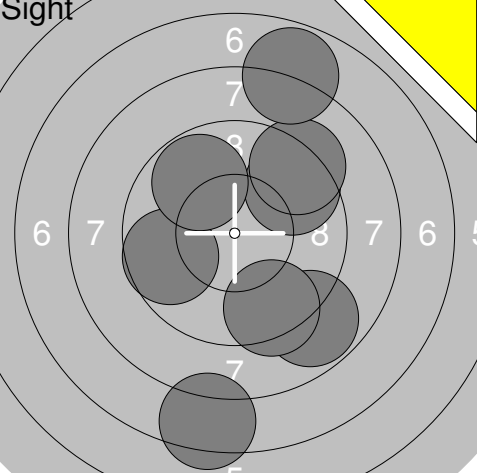
Sight 	<table border="1" style="width:100%; border-collapse: collapse;"> <tr><td>1:</td><td>9.8</td><td>↘</td></tr> <tr><td>2:</td><td>10.0</td><td>↘</td></tr> <tr><td>3:</td><td>10.3</td><td>↘</td></tr> <tr><td>4:</td><td>9.1</td><td>→</td></tr> <tr><td>5:</td><td>8.2</td><td>→</td></tr> <tr><td>6:</td><td>6.0</td><td>↖</td></tr> <tr><td>7:</td><td>8.8</td><td>↖</td></tr> <tr><td>8:</td><td>8.3</td><td>↖</td></tr> <tr><td>9:</td><td>8.3</td><td>↘</td></tr> <tr><td>10:</td><td>9.8</td><td>↘</td></tr> <tr><td colspan="2">Series</td><td>85.0</td></tr> <tr><td colspan="2">Total</td><td>0.0</td></tr> </table>	1:	9.8	↘	2:	10.0	↘	3:	10.3	↘	4:	9.1	→	5:	8.2	→	6:	6.0	↖	7:	8.8	↖	8:	8.3	↖	9:	8.3	↘	10:	9.8	↘	Series		85.0	Total		0.0	Sight 	<table border="1" style="width:100%; border-collapse: collapse;"> <tr><td>11:</td><td>9.5</td><td>→</td></tr> <tr><td>12:</td><td>10.2</td><td>↓</td></tr> <tr><td>13:</td><td>9.0</td><td>↗</td></tr> <tr><td>14:</td><td>10.7x</td><td>←</td></tr> <tr><td>15:</td><td>9.9</td><td>→</td></tr> <tr><td>16:</td><td>9.5</td><td>↗</td></tr> <tr><td>17:</td><td>9.0</td><td>→</td></tr> <tr><td>18:</td><td>9.8</td><td>→</td></tr> <tr><td>19:</td><td>9.8</td><td>→</td></tr> <tr><td>20:</td><td>9.8</td><td>↓</td></tr> <tr><td colspan="2">Series</td><td>92.0</td></tr> <tr><td colspan="2">Total</td><td>0.0</td></tr> </table>	11:	9.5	→	12:	10.2	↓	13:	9.0	↗	14:	10.7x	←	15:	9.9	→	16:	9.5	↗	17:	9.0	→	18:	9.8	→	19:	9.8	→	20:	9.8	↓	Series		92.0	Total		0.0
1:	9.8	↘																																																																									
2:	10.0	↘																																																																									
3:	10.3	↘																																																																									
4:	9.1	→																																																																									
5:	8.2	→																																																																									
6:	6.0	↖																																																																									
7:	8.8	↖																																																																									
8:	8.3	↖																																																																									
9:	8.3	↘																																																																									
10:	9.8	↘																																																																									
Series		85.0																																																																									
Total		0.0																																																																									
11:	9.5	→																																																																									
12:	10.2	↓																																																																									
13:	9.0	↗																																																																									
14:	10.7x	←																																																																									
15:	9.9	→																																																																									
16:	9.5	↗																																																																									
17:	9.0	→																																																																									
18:	9.8	→																																																																									
19:	9.8	→																																																																									
20:	9.8	↓																																																																									
Series		92.0																																																																									
Total		0.0																																																																									

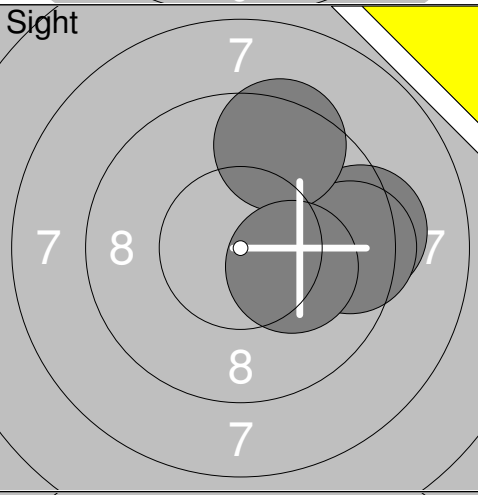
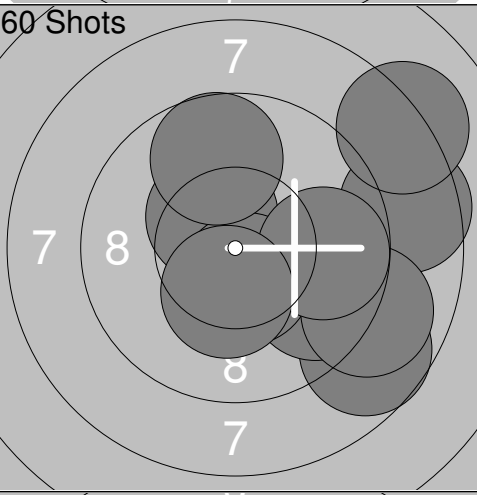
Sight 	<table border="1" style="width:100%; border-collapse: collapse;"> <tr><td>21:</td><td>9.1</td><td>→</td></tr> <tr><td>22:</td><td>10.4x</td><td>→</td></tr> <tr><td colspan="2">Series</td><td>19.0</td></tr> <tr><td colspan="2">Total</td><td>0.0</td></tr> </table>	21:	9.1	→	22:	10.4x	→	Series		19.0	Total		0.0	60 Shots 	<table border="1" style="width:100%; border-collapse: collapse;"> <tr><td>1:</td><td>8.6</td><td>↓</td></tr> <tr><td>2:</td><td>9.9</td><td>↗</td></tr> <tr><td>3:</td><td>10.5x</td><td>↗</td></tr> <tr><td>4:</td><td>8.7</td><td>↘</td></tr> <tr><td>5:</td><td>10.1</td><td>↓</td></tr> <tr><td>6:</td><td>10.2</td><td>↗</td></tr> <tr><td>7:</td><td>9.8</td><td>↖</td></tr> <tr><td>8:</td><td>9.7</td><td>↖</td></tr> <tr><td>9:</td><td>9.7</td><td>↓</td></tr> <tr><td>10:</td><td>9.6</td><td>←</td></tr> <tr><td colspan="2">Series</td><td>91.0</td></tr> <tr><td colspan="2">Total</td><td>91.0</td></tr> </table>	1:	8.6	↓	2:	9.9	↗	3:	10.5x	↗	4:	8.7	↘	5:	10.1	↓	6:	10.2	↗	7:	9.8	↖	8:	9.7	↖	9:	9.7	↓	10:	9.6	←	Series		91.0	Total		91.0
21:	9.1	→																																																	
22:	10.4x	→																																																	
Series		19.0																																																	
Total		0.0																																																	
1:	8.6	↓																																																	
2:	9.9	↗																																																	
3:	10.5x	↗																																																	
4:	8.7	↘																																																	
5:	10.1	↓																																																	
6:	10.2	↗																																																	
7:	9.8	↖																																																	
8:	9.7	↖																																																	
9:	9.7	↓																																																	
10:	9.6	←																																																	
Series		91.0																																																	
Total		91.0																																																	

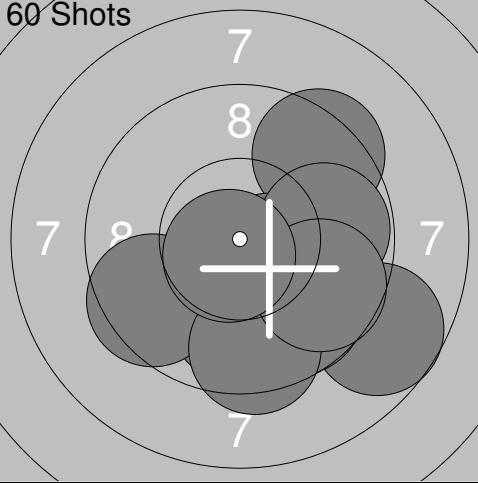
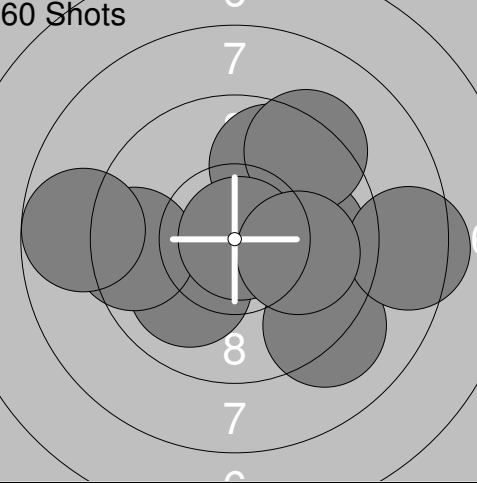
60 Shots 	<table border="1" style="width:100%; border-collapse: collapse;"> <tr><td>11:</td><td>8.1</td><td>↓</td></tr> <tr><td>12:</td><td>10.2</td><td>↗</td></tr> <tr><td>13:</td><td>9.2</td><td>↘</td></tr> <tr><td>14:</td><td>10.3</td><td>↘</td></tr> <tr><td>15:</td><td>10.7x</td><td>←</td></tr> <tr><td>16:</td><td>10.0</td><td>↗</td></tr> <tr><td>17:</td><td>8.9</td><td>↗</td></tr> <tr><td>18:</td><td>9.8</td><td>↘</td></tr> <tr><td>19:</td><td>10.4x</td><td>↗</td></tr> <tr><td>20:</td><td>9.7</td><td>↘</td></tr> <tr><td colspan="2">Series</td><td>93.0</td></tr> <tr><td colspan="2">Total</td><td>184.0</td></tr> </table>	11:	8.1	↓	12:	10.2	↗	13:	9.2	↘	14:	10.3	↘	15:	10.7x	←	16:	10.0	↗	17:	8.9	↗	18:	9.8	↘	19:	10.4x	↗	20:	9.7	↘	Series		93.0	Total		184.0	60 Shots 	<table border="1" style="width:100%; border-collapse: collapse;"> <tr><td>21:</td><td>10.2</td><td>↗</td></tr> <tr><td>22:</td><td>9.9</td><td>↗</td></tr> <tr><td>23:</td><td>10.1</td><td>←</td></tr> <tr><td>24:</td><td>10.2</td><td>↑</td></tr> <tr><td>25:</td><td>9.6</td><td>↓</td></tr> <tr><td>26:</td><td>9.3</td><td>↗</td></tr> <tr><td>27:</td><td>10.7x</td><td>↓</td></tr> <tr><td>28:</td><td>10.1</td><td>↓</td></tr> <tr><td>29:</td><td>9.8</td><td>↗</td></tr> <tr><td>30:</td><td>10.4x</td><td>←</td></tr> <tr><td colspan="2">Series</td><td>96.0</td></tr> <tr><td colspan="2">Total</td><td>280.0</td></tr> </table>	21:	10.2	↗	22:	9.9	↗	23:	10.1	←	24:	10.2	↑	25:	9.6	↓	26:	9.3	↗	27:	10.7x	↓	28:	10.1	↓	29:	9.8	↗	30:	10.4x	←	Series		96.0	Total		280.0
11:	8.1	↓																																																																									
12:	10.2	↗																																																																									
13:	9.2	↘																																																																									
14:	10.3	↘																																																																									
15:	10.7x	←																																																																									
16:	10.0	↗																																																																									
17:	8.9	↗																																																																									
18:	9.8	↘																																																																									
19:	10.4x	↗																																																																									
20:	9.7	↘																																																																									
Series		93.0																																																																									
Total		184.0																																																																									
21:	10.2	↗																																																																									
22:	9.9	↗																																																																									
23:	10.1	←																																																																									
24:	10.2	↑																																																																									
25:	9.6	↓																																																																									
26:	9.3	↗																																																																									
27:	10.7x	↓																																																																									
28:	10.1	↓																																																																									
29:	9.8	↗																																																																									
30:	10.4x	←																																																																									
Series		96.0																																																																									
Total		280.0																																																																									

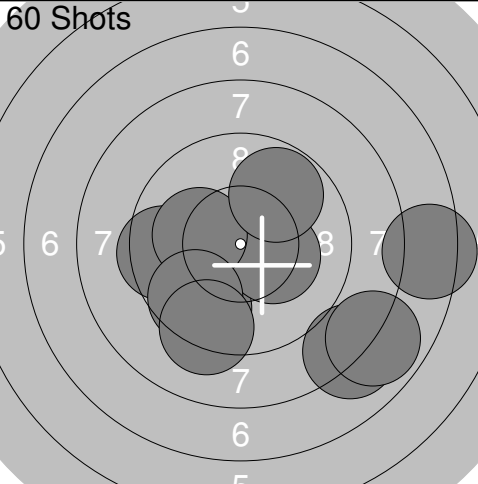
60 Shots 	<table border="1" style="width:100%; border-collapse: collapse;"> <tr><td>31:</td><td>8.8</td><td>↓</td></tr> <tr><td>32:</td><td>8.5</td><td>→</td></tr> <tr><td>33:</td><td>10.2</td><td>↘</td></tr> <tr><td>34:</td><td>10.3</td><td>↗</td></tr> <tr><td>35:</td><td>9.2</td><td>←</td></tr> <tr><td>36:</td><td>8.1</td><td>←</td></tr> <tr><td>37:</td><td>9.8</td><td>↘</td></tr> <tr><td>38:</td><td>8.9</td><td>↘</td></tr> <tr><td>39:</td><td>10.2</td><td>↘</td></tr> <tr><td>40:</td><td>10.4x</td><td>↘</td></tr> <tr><td colspan="2">Series</td><td>90.0</td></tr> <tr><td colspan="2">Total</td><td>370.0</td></tr> </table>	31:	8.8	↓	32:	8.5	→	33:	10.2	↘	34:	10.3	↗	35:	9.2	←	36:	8.1	←	37:	9.8	↘	38:	8.9	↘	39:	10.2	↘	40:	10.4x	↘	Series		90.0	Total		370.0	60 Shots 	<table border="1" style="width:100%; border-collapse: collapse;"> <tr><td>41:</td><td>8.4</td><td>↗</td></tr> <tr><td>42:</td><td>10.0</td><td>↑</td></tr> <tr><td>43:</td><td>8.6</td><td>→</td></tr> <tr><td>44:</td><td>9.7</td><td>↘</td></tr> <tr><td>45:</td><td>10.3</td><td>↘</td></tr> <tr><td>46:</td><td>9.4</td><td>↗</td></tr> <tr><td>47:</td><td>9.0</td><td>↗</td></tr> <tr><td>48:</td><td>10.3</td><td>↗</td></tr> <tr><td>49:</td><td>10.1</td><td>↗</td></tr> <tr><td>50:</td><td>9.6</td><td>↗</td></tr> <tr><td colspan="2">Series</td><td>92.0</td></tr> <tr><td colspan="2">Total</td><td>462.0</td></tr> </table>	41:	8.4	↗	42:	10.0	↑	43:	8.6	→	44:	9.7	↘	45:	10.3	↘	46:	9.4	↗	47:	9.0	↗	48:	10.3	↗	49:	10.1	↗	50:	9.6	↗	Series		92.0	Total		462.0
31:	8.8	↓																																																																									
32:	8.5	→																																																																									
33:	10.2	↘																																																																									
34:	10.3	↗																																																																									
35:	9.2	←																																																																									
36:	8.1	←																																																																									
37:	9.8	↘																																																																									
38:	8.9	↘																																																																									
39:	10.2	↘																																																																									
40:	10.4x	↘																																																																									
Series		90.0																																																																									
Total		370.0																																																																									
41:	8.4	↗																																																																									
42:	10.0	↑																																																																									
43:	8.6	→																																																																									
44:	9.7	↘																																																																									
45:	10.3	↘																																																																									
46:	9.4	↗																																																																									
47:	9.0	↗																																																																									
48:	10.3	↗																																																																									
49:	10.1	↗																																																																									
50:	9.6	↗																																																																									
Series		92.0																																																																									
Total		462.0																																																																									

60 Shots 	<table border="1" style="width:100%; border-collapse: collapse;"> <tr><td>51:</td><td>9.1</td><td>↓</td></tr> <tr><td>52:</td><td>10.1</td><td>←</td></tr> <tr><td>53:</td><td>10.0</td><td>↘</td></tr> <tr><td>54:</td><td>10.4x</td><td>→</td></tr> <tr><td>55:</td><td>10.3</td><td>↑</td></tr> <tr><td>56:</td><td>9.9</td><td>↖</td></tr> <tr><td>57:</td><td>7.9</td><td>→</td></tr> <tr><td>58:</td><td>9.0</td><td>→</td></tr> <tr><td>59:</td><td>9.6</td><td>↗</td></tr> <tr><td>60:</td><td>10.2</td><td>↗</td></tr> <tr><td colspan="2">Series</td><td>93.0</td></tr> <tr><td colspan="2">Total</td><td>555.0</td></tr> </table>	51:	9.1	↓	52:	10.1	←	53:	10.0	↘	54:	10.4x	→	55:	10.3	↑	56:	9.9	↖	57:	7.9	→	58:	9.0	→	59:	9.6	↗	60:	10.2	↗	Series		93.0	Total		555.0		
51:	9.1	↓																																					
52:	10.1	←																																					
53:	10.0	↘																																					
54:	10.4x	→																																					
55:	10.3	↑																																					
56:	9.9	↖																																					
57:	7.9	→																																					
58:	9.0	→																																					
59:	9.6	↗																																					
60:	10.2	↗																																					
Series		93.0																																					
Total		555.0																																					

	<p>1: 10.2x ←</p> <p>3: 9.3 ←</p> <p>4: 9.8 ↓</p> <p>5: 9.1 →</p> <p>6: 6.8 ←</p> <p>7: 9.5 ↓</p> <p>8: 8.4 ↑</p> <p>9: 10.4x ↓</p> <p>10: 7.5 →</p>		<p>11: 8.8 ↘</p> <p>13: 9.6 ↗</p> <p>15: 9.7 ←</p> <p>16: 9.2 ↗</p> <p>17: 7.8 ↑</p> <p>18: 9.4 ↓</p> <p>19: 9.8 ↗</p> <p>20: 7.4 ↓</p>
Series 81.0		Series 71.7	
Total 0.0		Total 0.0	

	<p>21: 9.3 →</p> <p>22: 9.5 →</p> <p>23: 9.5 ↑</p> <p>24: 10.2x →</p>		<p>1: 8.7 ↘</p> <p>2: 9.7 ↘</p> <p>3: 8.6 →</p> <p>4: 10.4x ↗</p> <p>5: 8.2 ↗</p> <p>6: 10.5x ↓</p> <p>7: 9.0 ↘</p> <p>8: 9.7 ↑</p> <p>9: 9.8 →</p> <p>10: 10.3x ↓</p>
Series 38.5		Series 94.9	
Total 0.0		Total 94.9	


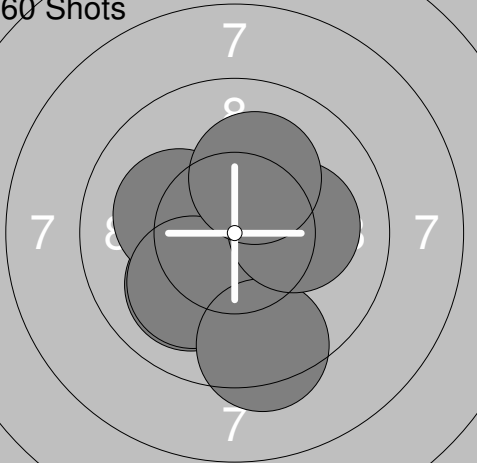
	<p>11: 8.7 ↘</p> <p>12: 9.4 ↗</p> <p>13: 10.5x ↘</p> <p>14: 9.9 ↓</p> <p>15: 9.7 ↓</p> <p>16: 9.8 →</p> <p>17: 9.5 ←</p> <p>18: 9.5 ↓</p> <p>19: 9.7 ↘</p> <p>20: 10.7x ↓</p>		<p>21: 9.8 ↑</p> <p>22: 10.0 ↙</p> <p>23: 9.1 ↘</p> <p>24: 9.9 →</p> <p>25: 9.3 ↗</p> <p>26: 9.5 ←</p> <p>27: 8.4 →</p> <p>28: 10.9x →</p> <p>29: 10.0 →</p> <p>30: 8.8 ←</p>
Series 97.4		Series 95.7	
Total 192.3		Total 288.0	

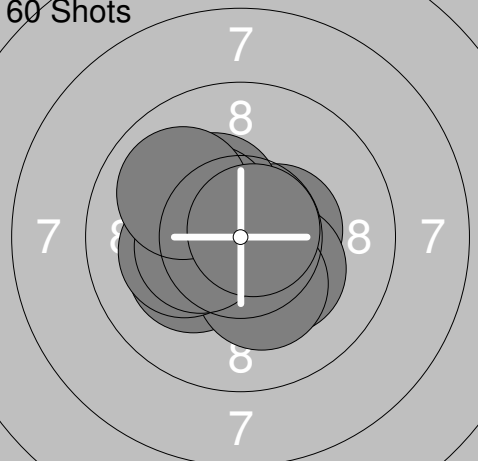
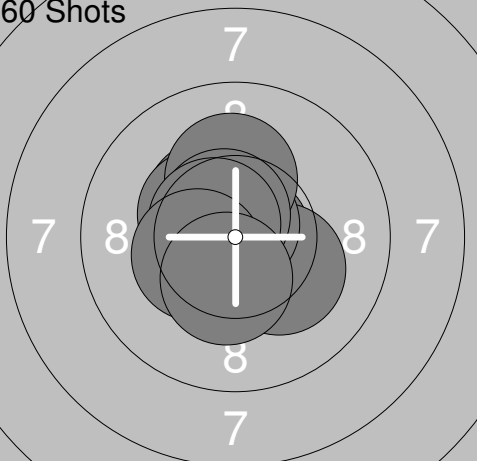
	<p>31: 9.6 ↓</p> <p>32: 10.3x →</p> <p>33: 8.1 ↓</p> <p>34: 9.5 ←</p> <p>35: 7.4 →</p> <p>36: 10.2x ←</p> <p>37: 9.8 ↗</p> <p>38: 7.9 ↘</p> <p>39: 9.6 ↓</p> <p>40: 9.2 ↓</p>		
Series 91.6			
Total 379.6			

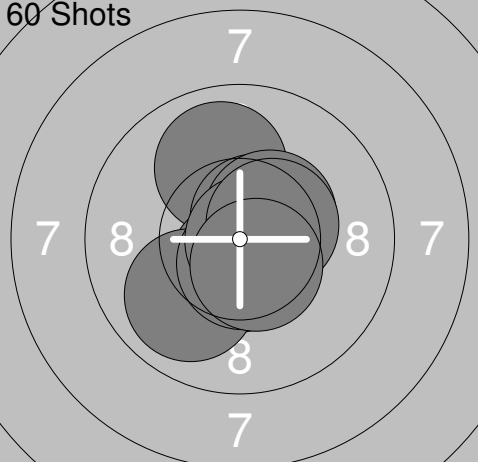
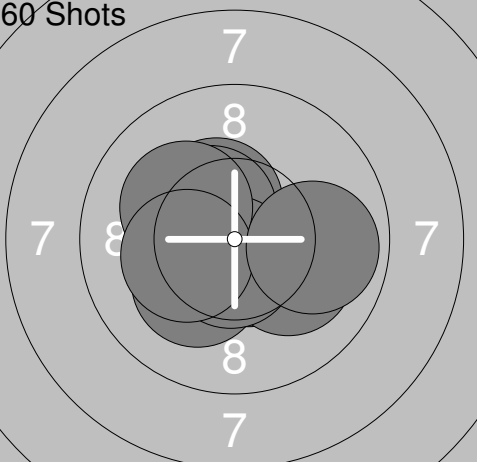
Relay	Lane	Jörgen Persson	
2	24		

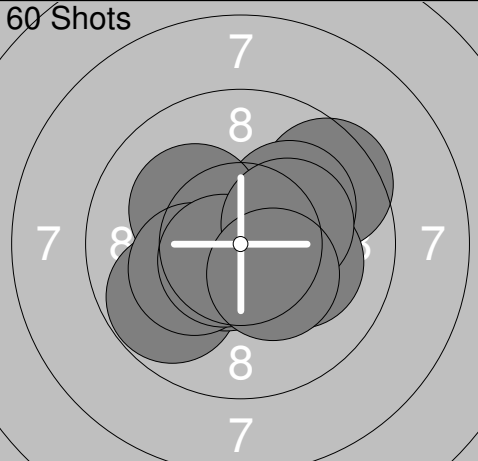
S	Fältjägarernas SF		
---	-------------------	--	--

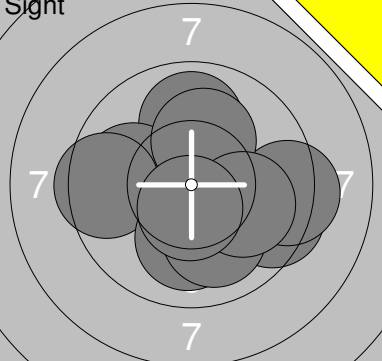
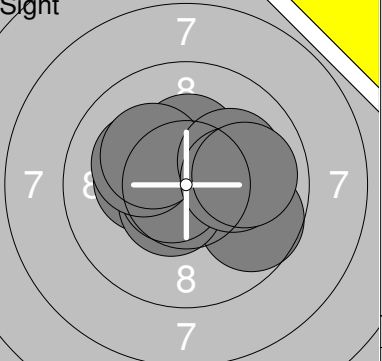
10.10.2015	UME-Skottet 2015	Umeå skytteallians	
------------	------------------	--------------------	--

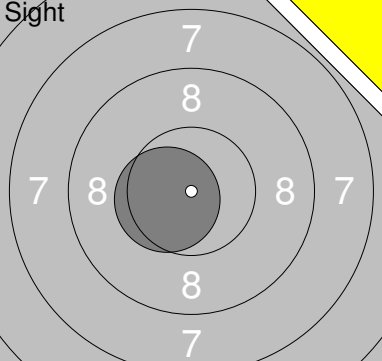
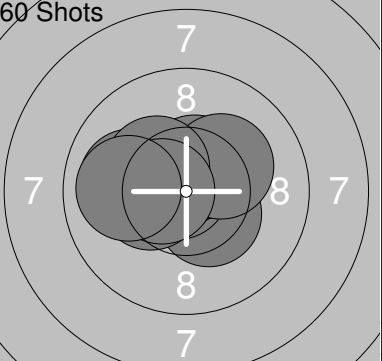
Sight		1: 9.3 ↓	60 Shots		1: 10.5x →
		2: 10.0 ↓			2: 10.7x →
		3: 9.8 ↓			3: 10.6x ↑
		4: 10.3x ↓		4: 10.7x →	
		5: 9.9 ↓		5: 10.0 ↓	
		6: 10.7x ↑		6: 10.2x ←	
		7: 10.9x ↓		7: 10.1 ↓	
		8: 10.7x ←		8: 9.4 ↓	
		9: 10.5x ↗		9: 10.1 →	
		10: 10.8x →		10: 10.1 ↑	
		Series 102.9		Series 102.4	
		Total 0.0		Total 102.4	

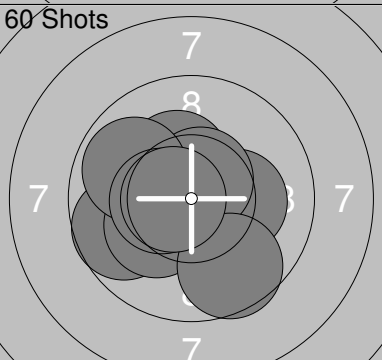
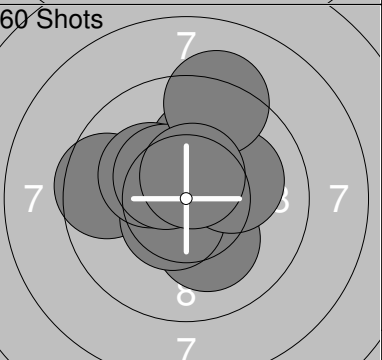
60 Shots		11: 10.2x ←	60 Shots		21: 10.4x ↖
		12: 10.5x →			22: 10.8x →
		13: 10.3x ↓			23: 10.2x ↘
		14: 10.3x ↓		24: 10.4x ↖	
		15: 10.2x ←		25: 10.8x ↑	
		16: 10.3x ↑		26: 10.2x ↑	
		17: 10.4x ↗		27: 10.6x ↑	
		18: 10.4x ←		28: 10.6x ↖	
		19: 10.0 ↗		29: 10.4x ←	
		20: 10.7x →		30: 10.4x ↓	
		Series 103.3		Series 104.8	
		Total 205.7		Total 310.5	

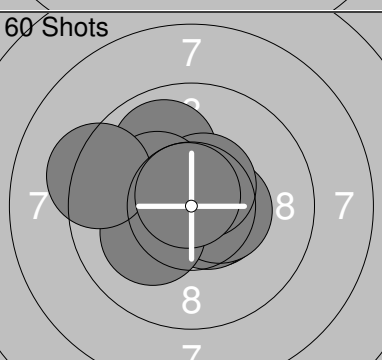
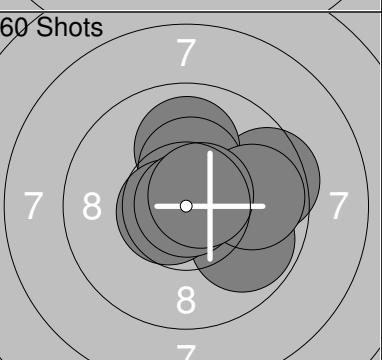
60 Shots		31: 9.9 ↑	60 Shots		41: 10.7x ↓
		32: 10.6x ↗			42: 10.6x ↓
		33: 10.6x ↓			43: 10.2x ↘
		34: 10.8x →		44: 10.4x ↗	
		35: 9.9 ↓		45: 10.1 ↘	
		36: 10.4x ↗		46: 10.5x ↖	
		37: 10.6x ↓		47: 10.6x ↓	
		38: 10.8x →		48: 10.2x ↖	
		39: 10.5x →		49: 10.3x ←	
		40: 10.5x ↓		50: 9.9 →	
		Series 104.6		Series 103.5	
		Total 415.1		Total 518.6	

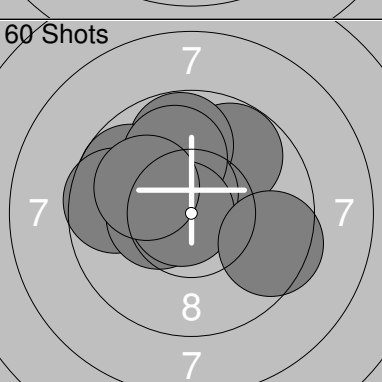
60 Shots		51: 9.5 ↗	
		52: 9.8 ↓	
		53: 10.1 ↗	
		54: 10.2x ↖	
		55: 10.6x ↓	
		56: 10.2x ←	
		57: 10.1 →	
		58: 10.6x ↓	
		59: 10.3x →	
		60: 10.3x ↓	
		Series 101.7	
		Total 620.3	

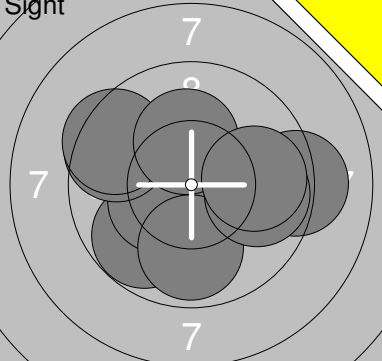
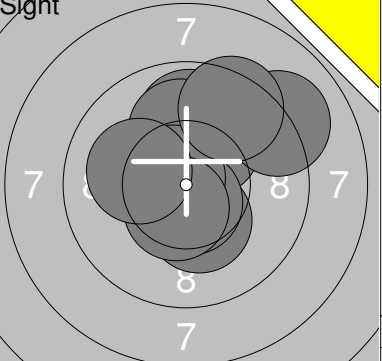
Sight		Sight	
	1: 9.5 → 2: 9.9 ↑ 3: 9.9 ← 4: 9.5 ← 5: 9.3 → 6: 10.2x ↑ 7: 10.0 ↓ 8: 10.0 ↓ 9: 10.0 → 10: 10.5x ↓		11: 10.3x ← 12: 9.7 → 13: 10.5x ↙ 14: 10.7x ← 15: 10.3x ↑ 16: 10.1 ↗ 17: 10.2x ↗ 18: 10.1 ↗ 19: 10.1 → 20: 9.9 →
Series 98.8		Series 101.9	
Total 0.0		Total 0.0	


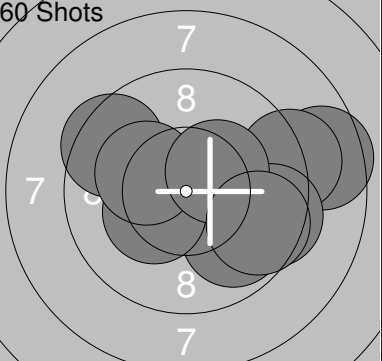
Sight		60 Shots	
	21: 10.5x ←		1: 10.4x ↘ 2: 10.8x ↖ 3: 10.5x ↑ 4: 10.7x ↗ 5: 10.2x ↗ 6: 10.0 ← 7: 10.3x ↗ 8: 10.3x ← 9: 10.5x ← 10: 10.0 ←
Series 10.5		Series 103.7	
Total 0.0		Total 103.7	

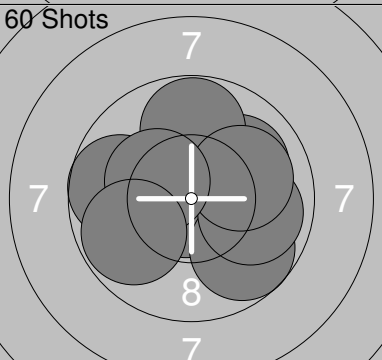
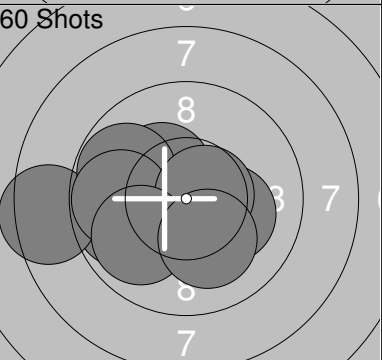
60 Shots		60 Shots	
	11: 10.3x ↗ 12: 10.2x → 13: 9.7 ← 14: 10.8x ↗ 15: 10.2x ↖ 16: 10.6x ↗ 17: 9.9 ↗ 18: 9.6 ↓ 19: 10.4x ← 20: 10.6x ←		21: 10.5x ↓ 22: 9.6 ← 23: 10.2x ↓ 24: 10.6x ↘ 25: 10.1 ↑ 26: 10.2x ↗ 27: 10.1 → 28: 10.4x ↗ 29: 9.3 ↑ 30: 10.6x ↑
Series 102.3		Series 101.6	
Total 206.0		Total 307.6	

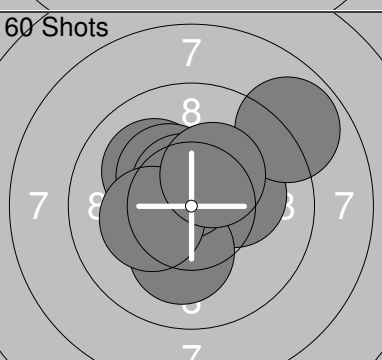
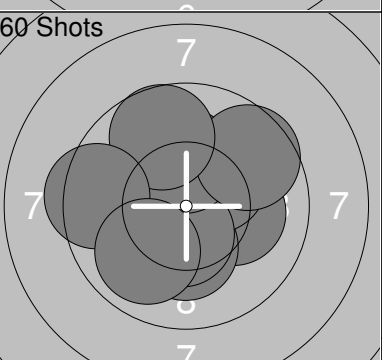
60 Shots		60 Shots	
	31: 10.5x → 32: 10.4x ← 33: 10.6x ↘ 34: 9.9 ↗ 35: 10.5x → 36: 10.6x ↗ 37: 10.3x ↗ 38: 10.1 ← 39: 9.3 ← 40: 10.8x ↑		41: 10.8x ↗ 42: 10.0 → 43: 9.5 → 44: 10.0 ↑ 45: 10.3x ↑ 46: 9.8 ↘ 47: 9.8 → 48: 10.6x ← 49: 10.9x ↗ 50: 10.6x ↗
Series 103.0		Series 102.3	
Total 410.6		Total 512.9	

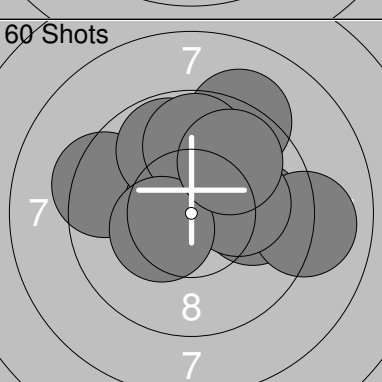
60 Shots			
	51: 9.8 ↗ 52: 9.8 ↑ 53: 9.7 ↗ 54: 10.6x ↗ 55: 9.6 ← 56: 10.0 ↗ 57: 10.4x ← 58: 10.8x ← 59: 10.1 ↗ 60: 9.5 ↘		
Series 100.3			
Total 613.2			

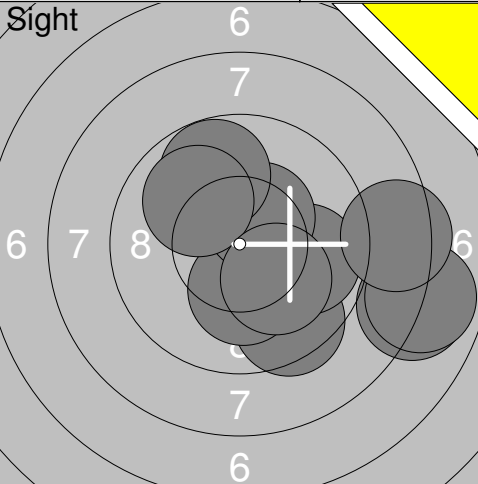
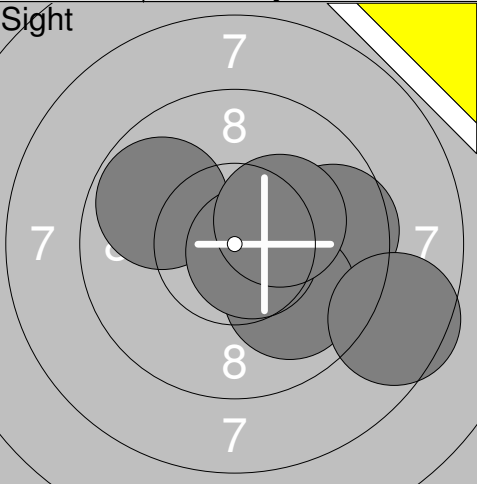
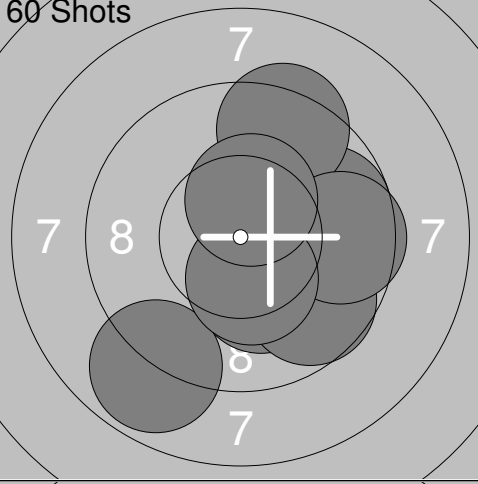
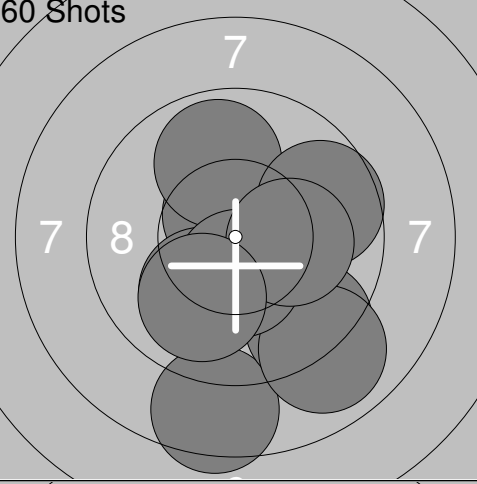
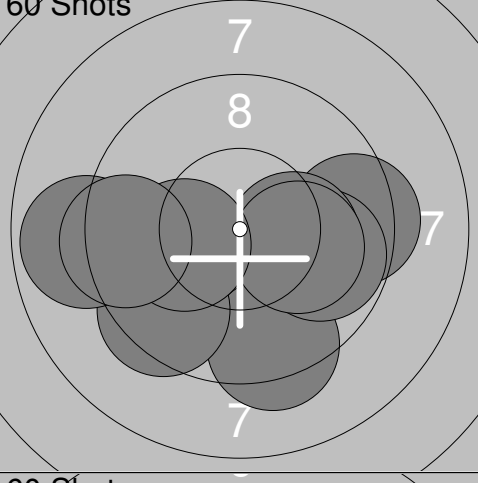
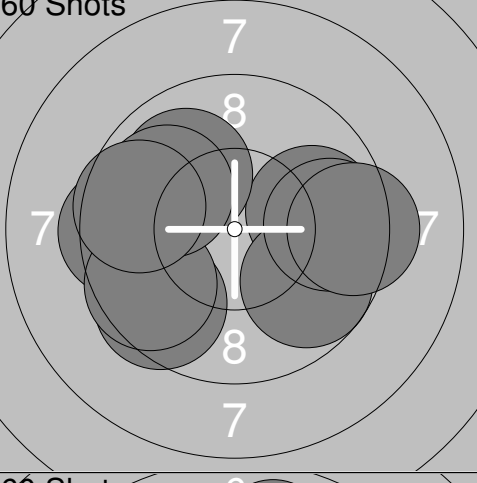
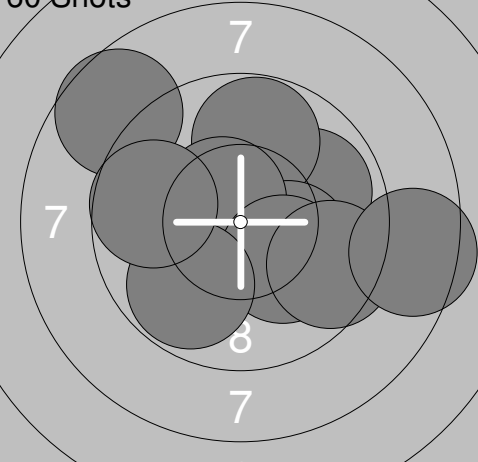
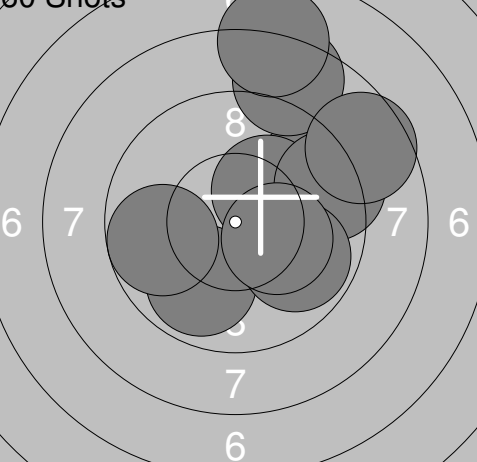
Sight		Sight	
	1: 9.8 ↙ 2: 10.4x ↙ 3: 9.9 ↓ 4: 9.5 ↗ 5: 9.2 → 7: 9.8 → 8: 9.5 ↗ 9: 10.2x ↑ 10: 9.9 →		11: 10.2x ↗ 12: 10.3x ↓ 13: 9.1 ↗ 14: 10.7x ↓ 15: 9.9 ↑ 16: 10.0 ↑ 17: 10.7x ↗ 18: 10.5x ↓ 19: 9.5 ↗ 20: 10.1 ↙
	Series 88.2		Series 101.0
	Total 0.0		Total 0.0

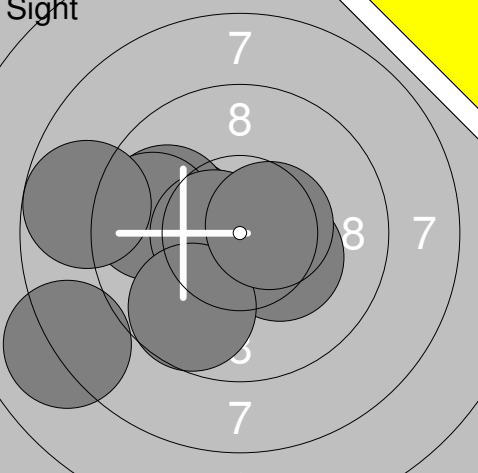
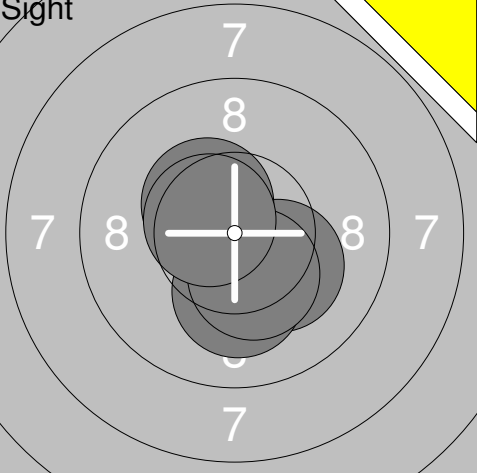
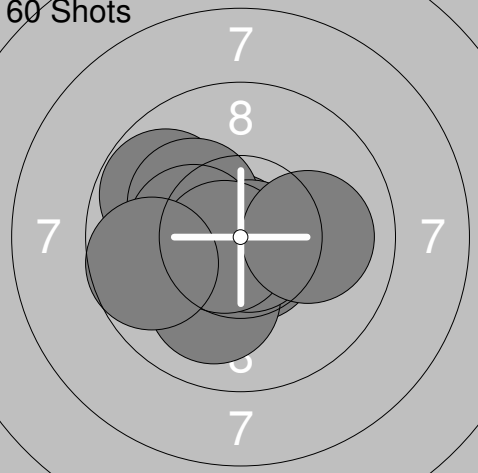
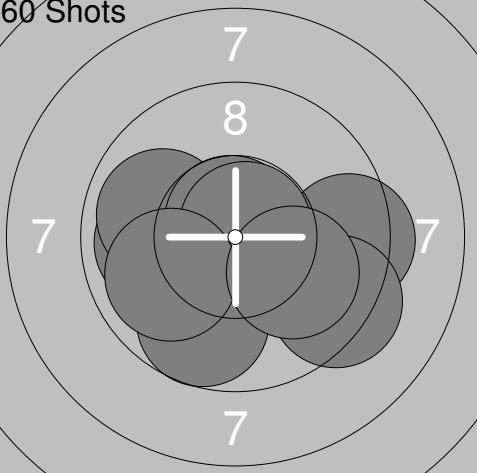
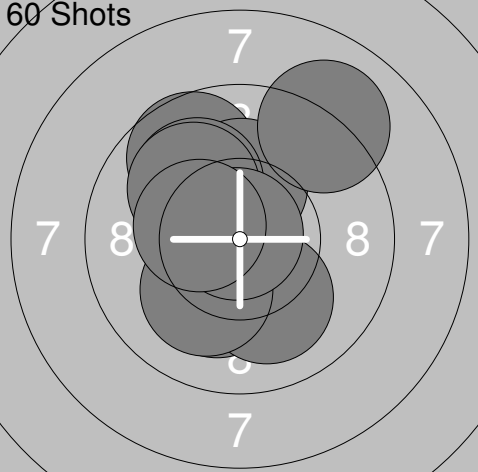
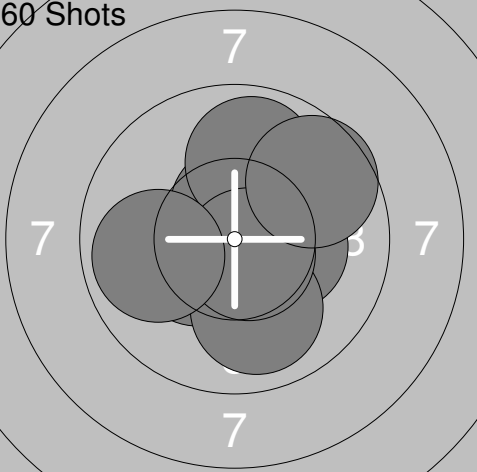
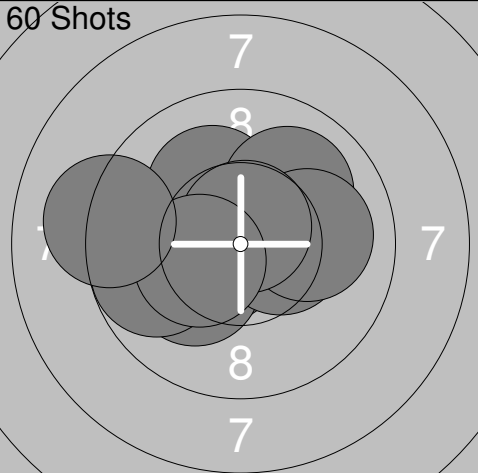
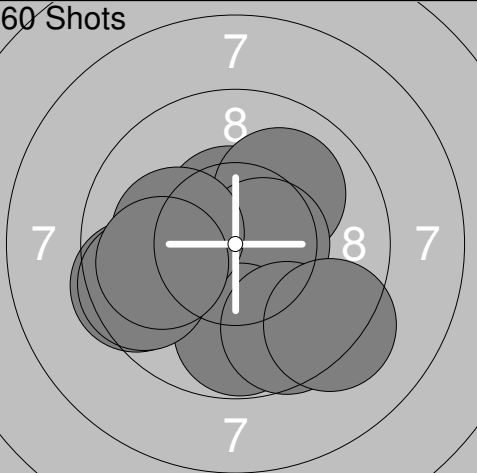
Sight		60 Shots	
	21: 9.9 → 22: 9.5 ↑ 23: 10.2x ↑		1: 8.6 → 2: 9.5 ↗ 3: 9.1 → 4: 10.3x → 5: 9.8 ↓ 6: 10.3x ↙ 7: 9.4 → 8: 10.2x ↗ 9: 10.3x ↗ 10: 9.6 ↘
	Series 29.6		Series 97.1
	Total 0.0		Total 97.1

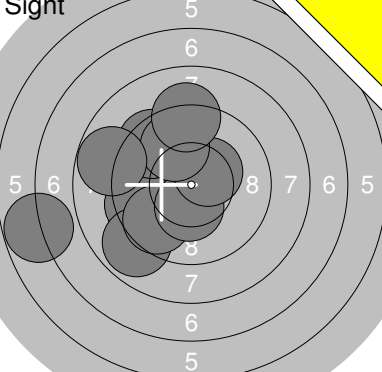
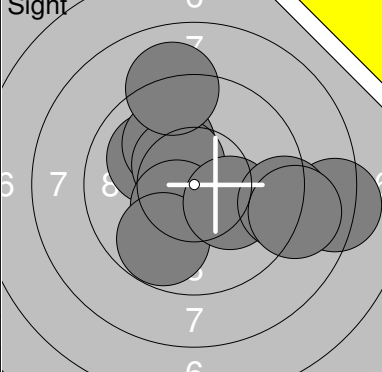
60 Shots		60 Shots	
	11: 10.0 ↗ 12: 10.4x ↙ 13: 9.8 ↑ 14: 9.7 ↙ 15: 10.8x ↘ 16: 9.8 ↘ 17: 9.9 → 18: 10.0 → 19: 10.3x ↗ 20: 9.8 ↙		21: 10.3x ↙ 22: 9.8 ↙ 23: 10.2x ↘ 24: 10.3x ↗ 25: 8.5 ↙ 26: 9.8 ↗ 27: 9.8 ↙ 28: 10.6x → 29: 9.9 ↙ 30: 10.1 ↓
	Series 100.5		Series 99.3
	Total 197.6		Total 296.9

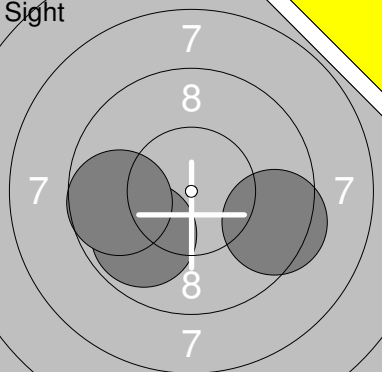
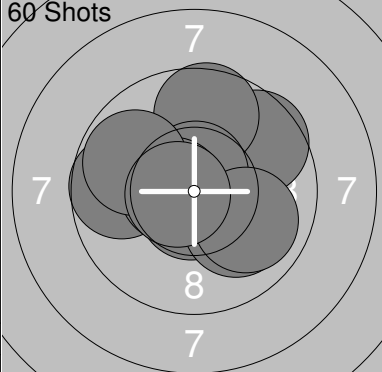
60 Shots		60 Shots	
	31: 10.8x ↙ 32: 10.8x ↙ 33: 10.2x → 34: 8.9 ↗ 35: 10.1 ↗ 36: 10.2x ↘ 37: 10.3x ↗ 38: 10.6x ↗ 39: 10.2x ↙ 40: 10.3x ↗		41: 10.2x ↙ 42: 10.1 → 43: 10.2x ↓ 44: 10.3x ↗ 45: 10.5x ↓ 46: 10.2x ↑ 47: 9.6 ↗ 48: 9.7 ↑ 49: 9.4 ↙ 50: 9.9 ↘
	Series 102.4		Series 100.1
	Total 399.3		Total 499.4

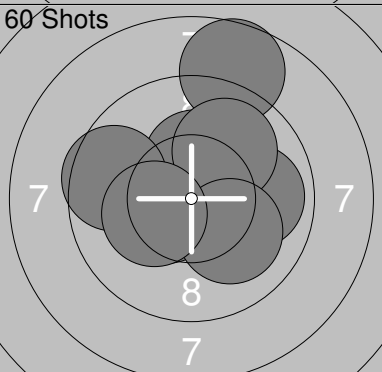
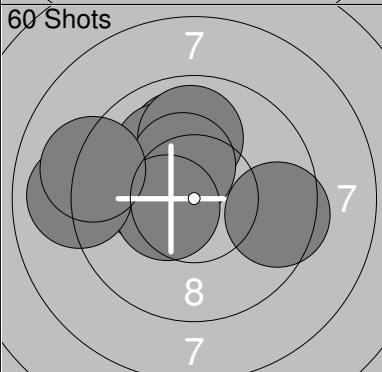
60 Shots			
	51: 9.4 ↙ 52: 9.2 ↗ 53: 9.9 → 54: 10.7x ↙ 55: 9.8 ↗ 56: 9.0 → 57: 9.8 ↑ 58: 10.1 → 59: 10.4x ↙ 60: 9.9 ↗		
	Series 98.2		
	Total 597.6		

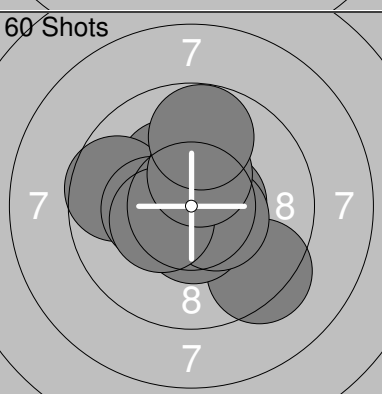
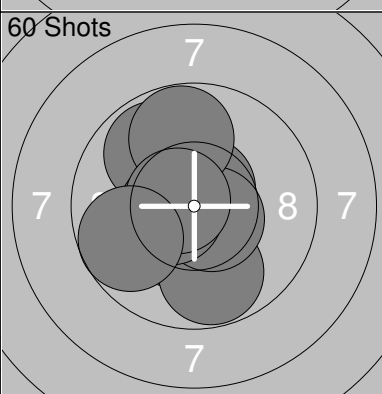
Relay	Lane	Oscar Jacobsson	
S		Ramselefors Skf	
10.10.2015		UME-Skottet 2015	Umeå skytteallians
Sight		1: 9.5 ↘ 2: 8.0 → 3: 10.2x ↓ 4: 9.9 → 5: 7.9 → 6: 10.4x ↗ 7: 9.8 ↗ 8: 10.0 ↗ 9: 10.1 ↓ 10: 8.4 → Series 94.2 Total 0.0	Sight  11: 9.6 → 12: 9.8 ↗ 13: 9.9 ↓ 14: 8.6 → 15: 10.7x ↘ 16: 10.3x ↗ Series 58.9 Total 0.0
60 Shots		1: 9.9 → 2: 9.8 → 3: 9.4 ↗ 4: 10.2x ↓ 5: 8.9 ↓ 6: 10.5x → 7: 9.7 ↓ 8: 9.6 → 9: 10.4x ↓ 10: 10.4x ↗ Series 98.8 Total 98.8	60 Shots  11: 8.5 ↓ 12: 9.3 ↓ 13: 10.6x ↗ 14: 9.0 ↓ 15: 10.1 ↓ 16: 9.9 ↗ 17: 9.7 → 18: 10.4x ↓ 19: 10.2x → 20: 10.0 ↓ Series 97.7 Total 196.5
60 Shots		21: 10.0 ↓ 22: 9.3 ↓ 23: 9.4 → 24: 9.8 → 25: 10.2x → 26: 9.4 ↓ 27: 10.1 → 28: 10.2x ← 29: 8.9 ← 30: 9.4 ← Series 96.7 Total 293.2	60 Shots  31: 9.9 → 32: 9.5 ← 33: 9.7 ↓ 34: 9.5 ↓ 35: 9.6 ← 36: 10.0 ↗ 37: 9.7 → 38: 9.9 ↗ 39: 9.6 ← 40: 9.3 → Series 96.7 Total 389.9
60 Shots		41: 9.9 → 42: 9.8 ↗ 43: 10.2x ↘ 44: 10.6x ↗ 45: 10.2x ↓ 46: 9.5 ↓ 47: 8.7 ↗ 48: 9.8 ↓ 49: 9.7 ← 50: 8.5 → Series 96.9 Total 486.8	60 Shots  51: 9.9 ↓ 52: 9.8 ← 53: 9.5 ↗ 54: 8.5 ↗ 55: 10.2x ↗ 56: 9.3 → 57: 8.0 ↗ 58: 9.8 → 59: 10.2x → 60: 8.6 ↗ Series 93.8 Total 580.6

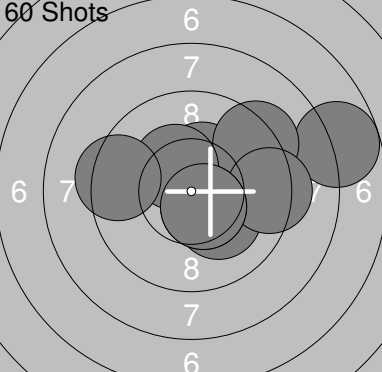
<p>Sight</p> 	<p>1: 8.1 ↙ 2: 10.1 ← 3: 10.2x ← 4: 9.9 ← 5: 10.3x ↘ 6: 9.7 ← 7: 10.6x ← 8: 9.7 ↘ 9: 10.5x → 10: 8.8 ←</p> <p>Series 97.9 Total 0.0</p>	<p>Sight</p> 	<p>11: 10.2x ↘ 12: 10.2x ↓ 13: 10.4x ↗ 14: 10.3x ↓ 15: 10.6x ↖</p> <p>Series 51.7 Total 0.0</p>
<p>60 Shots</p> 	<p>1: 10.8x ← 2: 10.7x ↘ 3: 9.8 ↗ 4: 10.2x ↗ 5: 10.1 ↘ 6: 10.8x ↘ 7: 10.3x ← 8: 10.7x ← 9: 9.7 ← 10: 10.0 →</p> <p>Series 103.1 Total 103.1</p>	<p>60 Shots</p> 	<p>11: 10.6x ← 12: 9.4 → 13: 9.9 ← 14: 9.9 ← 15: 10.7x ↑ 16: 10.8x ↗ 17: 9.7 ↘ 18: 9.3 ↘ 19: 9.9 ← 20: 10.0 ↘</p> <p>Series 100.2 Total 203.3</p>
<p>60 Shots</p> 	<p>21: 10.2x ↘ 22: 9.7 ↗ 23: 10.1 ↘ 24: 10.1 ↘ 25: 10.2x ↑ 26: 10.0 ↗ 27: 10.0 ↗ 28: 10.9x ↗ 29: 10.4x ← 30: 9.0 ↗</p> <p>Series 100.6 Total 303.9</p>	<p>60 Shots</p> 	<p>31: 10.3x ↗ 32: 10.4x ← 33: 10.3x → 34: 10.4x ↗ 35: 10.6x ↑ 36: 9.9 ↑ 37: 10.0 ↓ 38: 10.7x ↘ 39: 9.9 ← 40: 9.6 ↗</p> <p>Series 102.1 Total 406.0</p>
<p>60 Shots</p> 	<p>41: 10.6x ← 42: 10.1 ↗ 43: 10.2x ← 44: 10.0 ↗ 45: 10.4x → 46: 10.0 → 47: 9.8 ← 48: 10.7x ↑ 49: 10.3x ← 50: 9.2 ←</p> <p>Series 101.3 Total 507.3</p>	<p>60 Shots</p> 	<p>51: 10.5x ↑ 52: 9.5 ← 53: 10.1 ↗ 54: 10.6x → 55: 9.8 ↓ 56: 10.2x ← 57: 9.6 ← 58: 9.6 ↓ 59: 9.3 ↘ 60: 9.9 ←</p> <p>Series 99.1 Total 606.4</p>

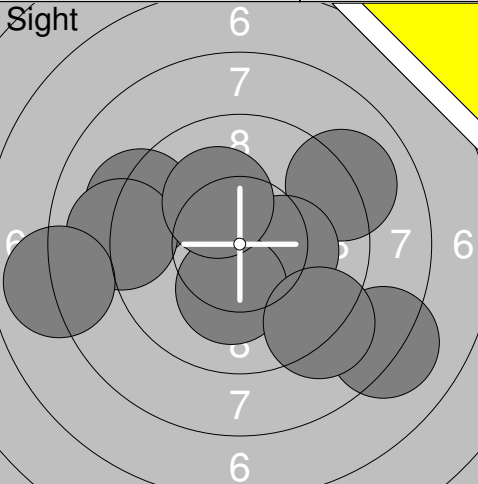
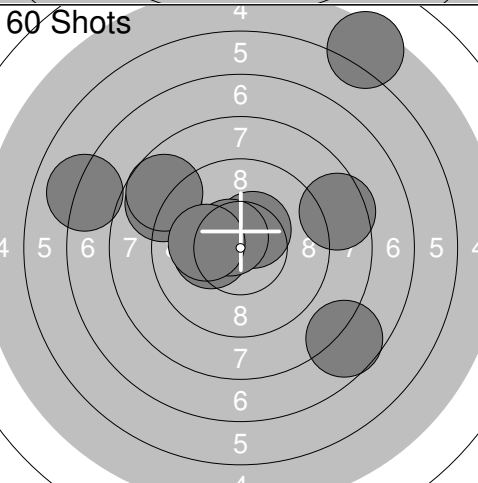
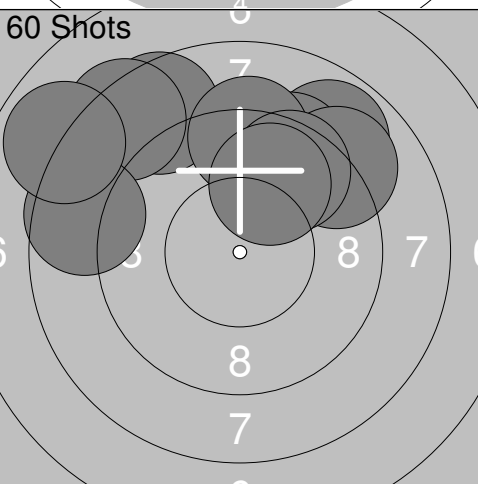
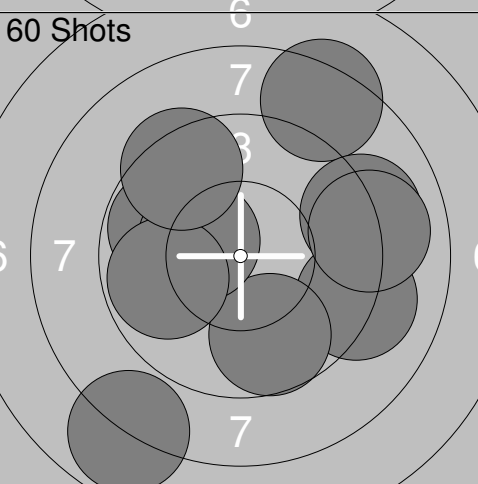
Sight	Sight		
		1: 9.5 ← 2: 8.9 ↙ 3: 6.8 ← 4: 9.7 ↙ 5: 10.4x ↓ 6: 10.4x ↗ 7: 9.5 ↗ 8: 9.9 ↗ 9: 8.8 ← 10: 9.2 ↑	11: 10.0 ↗ 12: 10.0 ↗ 13: 10.5x ↗ 14: 10.4x ↙ 15: 8.3 → 16: 9.8 ↙ 17: 9.1 ↗ 18: 10.2x ↓ 19: 9.2 → 20: 9.0 →
Series	93.1	Series	96.5
Total	0.0	Total	0.0

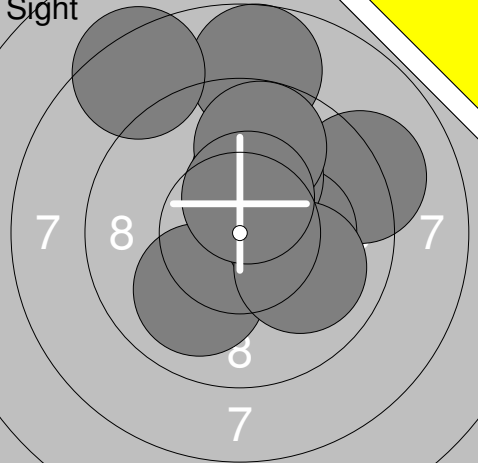
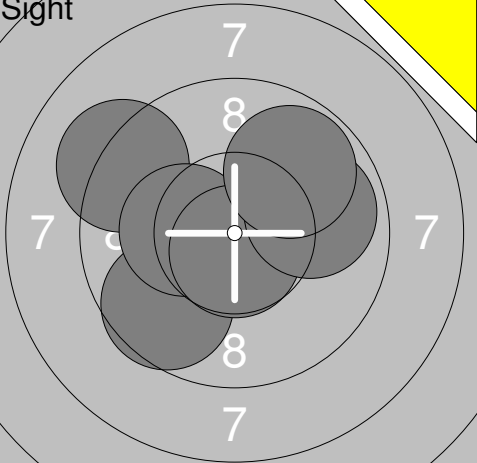
Sight	60 Shots		
		21: 9.9 ↙ 22: 9.7 ← 23: 9.4 →	1: 9.6 ↗ 2: 10.7x ↓ 3: 9.7 ← 4: 9.6 ↑ 5: 10.0 ↓ 6: 10.7x ↑ 7: 10.6x ← 8: 9.9 ↓ 9: 9.8 ↗ 10: 10.7x ←
Series	29.0	Series	101.3
Total	0.0	Total	101.3

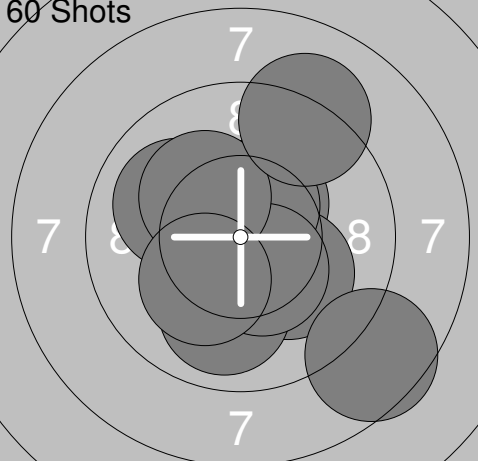
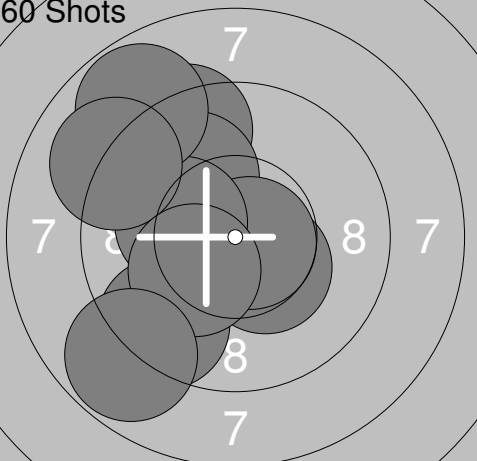
60 Shots	60 Shots		
		11: 8.7 ↑ 12: 10.5x ← 13: 10.5x ← 14: 10.5x ← 15: 10.3x ↑ 16: 9.9 → 17: 10.0 ↗ 18: 9.6 ← 19: 10.1 ↓ 20: 10.3x ←	21: 10.4x ↗ 22: 10.3x ← 23: 10.0 ↑ 24: 10.1 ↗ 25: 9.9 ↑ 26: 10.4x ↗ 27: 10.5x ← 28: 9.5 → 29: 9.0 ← 30: 9.2 ↗
Series	100.4	Series	99.3
Total	201.7	Total	301.0

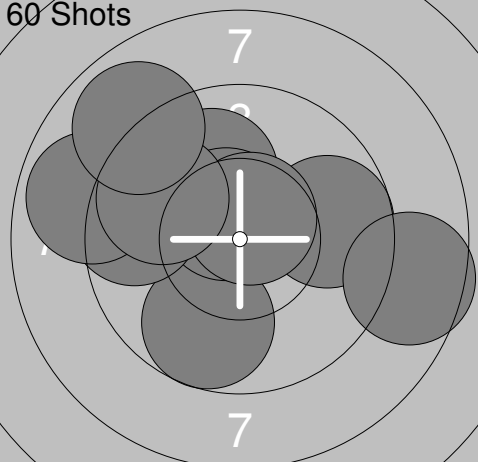
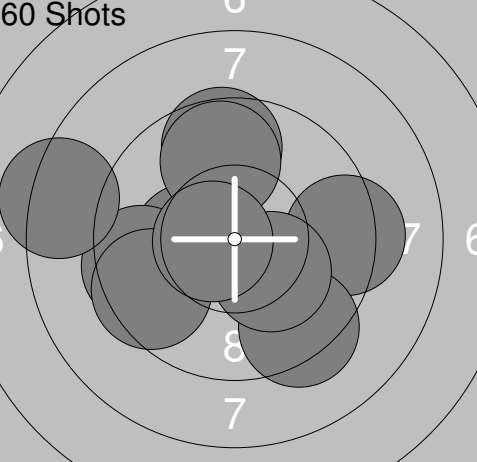
60 Shots	60 Shots		
		31: 9.3 ↓ 32: 10.6x → 33: 10.5x ↓ 34: 10.3x ↗ 35: 9.7 ← 36: 10.3x ← 37: 10.5x ↗ 38: 10.4x ← 39: 10.4x ↑ 40: 9.8 ↑	41: 10.4x ↙ 42: 9.8 ↙ 43: 10.4x ↗ 44: 10.6x ↗ 45: 10.6x ↓ 46: 9.9 ↗ 47: 10.5x ← 48: 9.8 ↑ 49: 10.6x ← 50: 9.7 ←
Series	101.8	Series	102.3
Total	402.8	Total	505.1

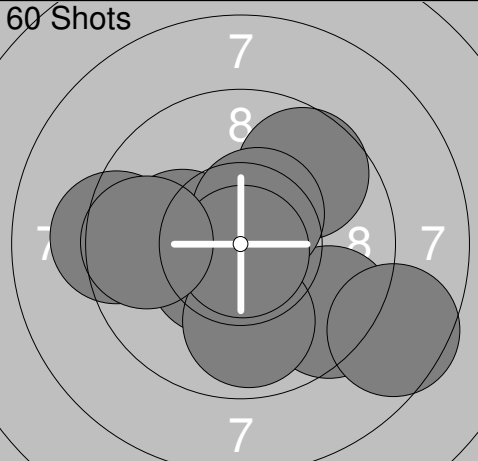
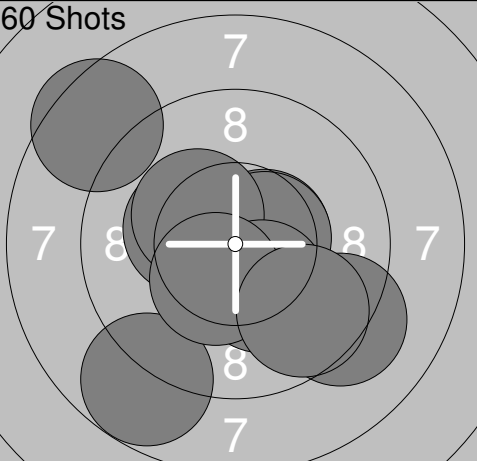
60 Shots			
	51: 10.4x ↗ 52: 10.4x ↑ 53: 7.8 → 54: 9.3 ↗ 55: 10.2x ↓ 56: 9.3 → 57: 10.5x ↓ 58: 10.3x ↗ 59: 10.5x ↓ 60: 9.4 ←	Series	98.1
Total	603.2	Total	505.1

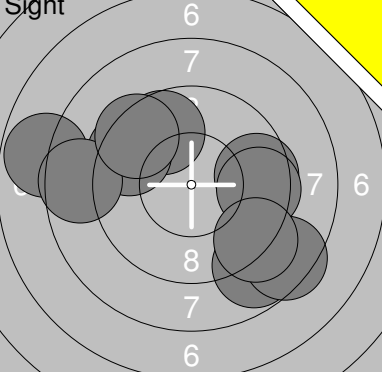
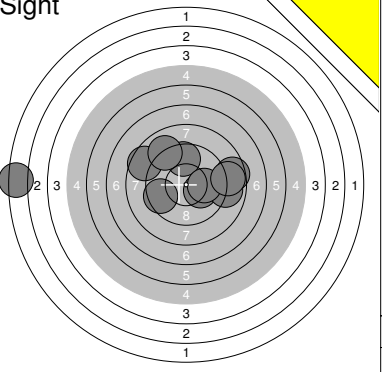
Relay	Lane	Emil Norlund	
S		Drängsmarks Skf	
10.10.2015		UME-Skottet 2015	Umeå skytteallians
Sight		1: 8.2 ↘ 2: 9.2 ↖ 3: 9.0 ← 4: 9.1 → 6: 10.2x → 7: 8.0 ← 8: 10.2x ↓ 9: 10.2x ↑ 10: 9.1 ↘	11: 7.8 ↘ 12: 10.4x ↑ 13: 9.5 ↑ 14: 8.1 ↑ 15: 9.1 ← 16: 8.2 ← 17: 9.4 → 18: 10.7x →
		Series 83.2	Series 73.2
		Total 0.0	Total 0.0
60 Shots		1: 8.9 ↖ 2: 5.4 ↑ 3: 10.2x ← 4: 7.7 ↓ 5: 8.7 ↗ 6: 10.4x ↑ 7: 7.1 ↖ 8: 10.6x ↗ 9: 10.1 ← 10: 8.5 →	11: 8.2 ↑ 12: 8.0 ← 13: 7.9 ↗ 14: 8.9 ← 15: 9.8 ↗ 16: 9.1 → 17: 9.6 → 18: 8.6 ↗ 19: 9.1 ↘ 20: 9.5 →
		Series 87.6	Series 88.7
		Total 87.6	Total 176.3
60 Shots		21: 8.9 ↗ 22: 8.6 ↗ 23: 9.3 ↗ 24: 8.4 ↗ 25: 8.6 ← 26: 9.1 ↗ 27: 9.3 ↑ 28: 9.5 ↗ 29: 9.9 ↗ 30: 7.9 ↖	31: 9.5 ↗ 32: 5.6 → 33: 5.7 ← 34: 9.3 ↖ 35: 8.7 ← 36: 8.8 ↘ 37: 8.2 ↑ 38: 10.7x ↑ 39: 9.5 → 40: 8.7 ↑
		Series 89.5	Series 84.7
		Total 265.8	Total 350.5
60 Shots		41: 9.1 → 42: 8.4 ↑ 43: 7.9 ↓ 44: 9.8 ↖ 45: 9.7 ↓ 46: 10.3x ↖ 47: 9.8 ← 48: 9.4 ↗ 49: 9.1 → 50: 9.0 →	51: 6.6 ↑ 52: 7.0 ↑ 53: 6.6 ← 54: 10.6x ↓ 55: 9.2 ↗ 56: 10.0 ↑ 57: 8.5 ↓ 58: 8.2 → 59: 6.7 ↖ 60: 7.6 ←
		Series 92.5	Series 81.0
		Total 443.0	Total 524.0

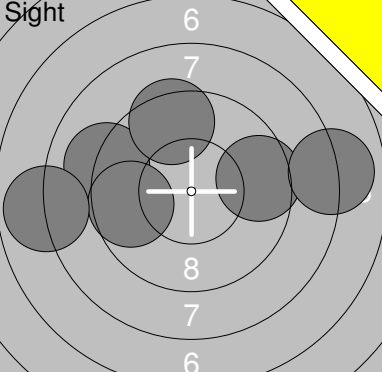
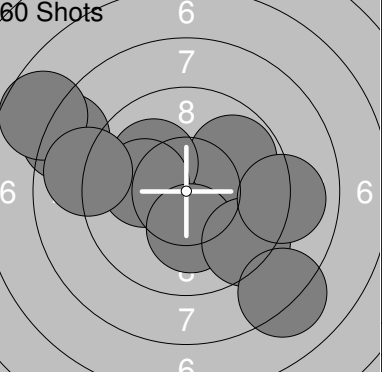
<p>Sight</p> 	<p>1: 10.0 ↗ 2: 9.1 → 3: 10.0 ↘ 4: 8.7 ↑ 5: 10.3x → 6: 10.2x ↑ 7: 10.0 ↘ 8: 8.4 ↗ 9: 9.8 ↑ 10: 10.5x ↑</p> <p>Series 97.0 Total 0.0</p>	<p>Sight</p> 	<p>11: 9.2 ↖ 12: 9.6 ↘ 13: 10.3x ← 14: 10.7x ↓ 15: 9.9 → 16: 9.8 ↗</p> <p>Series 59.5 Total 0.0</p>
--	---	--	---

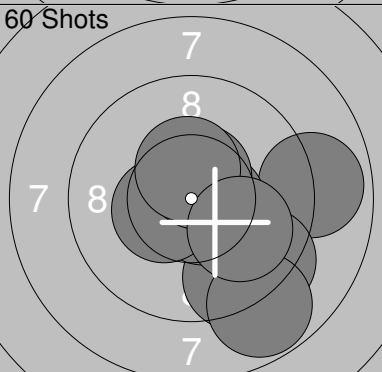
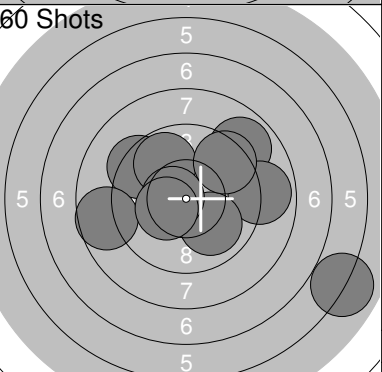
<p>60 Shots</p> 	<p>1: 10.4x ↗ 2: 10.0 ↖ 3: 10.1 ↘ 4: 10.0 ↓ 5: 8.6 ↘ 6: 10.5x ↑ 7: 10.4x ↘ 8: 10.2x ↗ 9: 10.2x ↘ 10: 9.1 ↗</p> <p>Series 99.5 Total 99.5</p>	<p>60 Shots</p> 	<p>11: 10.4x ↘ 12: 9.4 ↗ 13: 10.0 ↗ 14: 10.7x → 15: 10.2x ← 16: 9.4 ↘ 17: 8.8 ↗ 18: 9.1 ↗ 19: 10.2x ↘ 20: 8.8 ↘</p> <p>Series 97.0 Total 196.5</p>
--	--	--	--

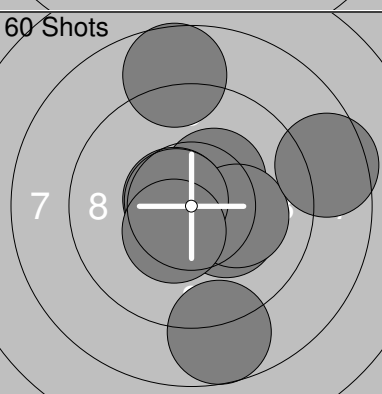
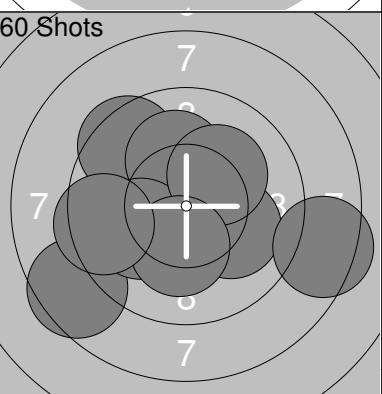
<p>60 Shots</p> 	<p>21: 9.7 ↘ 22: 10.0 ↗ 23: 10.6x ↗ 24: 9.7 → 25: 9.5 ← 26: 10.6x ↗ 27: 8.9 ← 28: 8.6 → 29: 9.8 ↗ 30: 8.9 ↗</p> <p>Series 96.3 Total 292.8</p>	<p>60 Shots</p> 	<p>31: 10.3x ← 32: 9.5 ← 33: 8.3 ← 34: 9.6 ↑ 35: 9.3 → 36: 9.8 ↑ 37: 9.5 ↖ 38: 9.3 ↘ 39: 10.2x ↘ 40: 10.6x ←</p> <p>Series 96.4 Total 389.2</p>
---	--	---	---

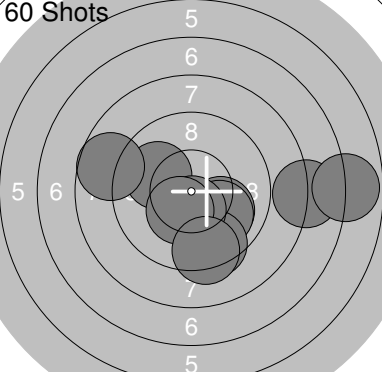
<p>60 Shots</p> 	<p>41: 9.4 ↘ 42: 9.7 ↗ 43: 9.3 ← 44: 10.2x ← 45: 10.5x ↘ 46: 10.5x ↗ 47: 8.6 → 48: 9.9 ↓ 49: 10.8x ↘ 50: 9.7 ←</p> <p>Series 98.6 Total 487.8</p>	<p>60 Shots</p> 	<p>51: 10.3x ← 52: 10.5x → 53: 9.2 ↘ 54: 10.5x → 55: 8.8 ↘ 56: 10.3x ↗ 57: 10.3x ↘ 58: 10.4x ↘ 59: 9.7 ↘ 60: 8.5 ↗</p> <p>Series 98.5 Total 586.3</p>
---	---	---	---

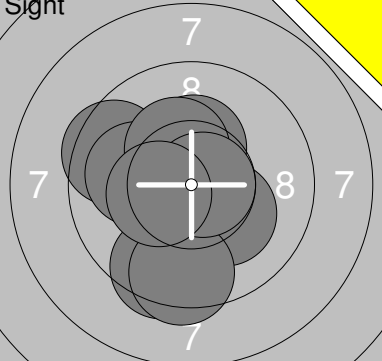
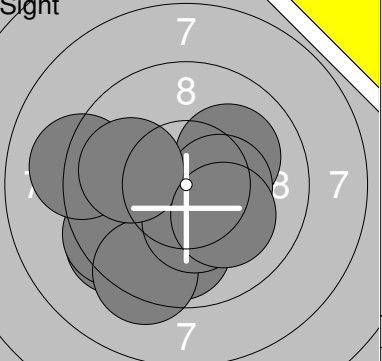
Sight		Sight	
	1: 7.8 ← 2: 9.6 → 3: 9.5 → 4: 9.7 ↗ 5: 8.8 ↘ 6: 9.5 ↗ 7: 8.6 ← 8: 8.4 ↘ 9: 9.2 ↘ 10: 9.4 ↗		11: 10.2x → 12: 2.3 ← 13: 9.6 ↑ 14: 9.5 ← 15: 8.6 ↗ 16: 8.5 → 17: 8.9 → 18: 10.0 → 19: 8.8 → 20: 9.0 ↗
Series	90.5	Series	85.4
Total	0.0	Total	0.0


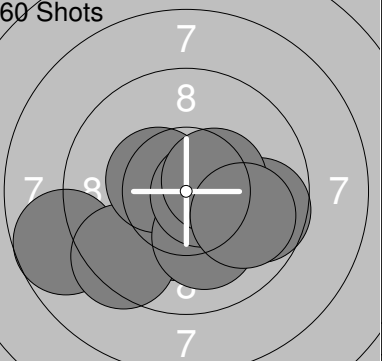
Sight		60 Shots	
	21: 9.5 → 22: 9.1 ← 23: 9.6 ← 24: 7.9 ← 25: 9.4 → 26: 8.0 →		1: 8.3 ↗ 2: 9.8 ↗ 3: 10.1 ↗ 4: 10.1 ← 5: 10.2x ↓ 6: 7.7 ↗ 7: 8.9 ← 8: 9.4 ↓ 9: 9.0 → 10: 8.1 ↓
Series	53.5	Series	91.6
Total	0.0	Total	91.6

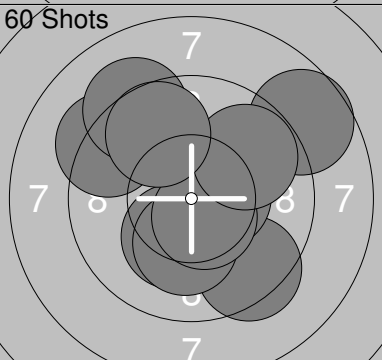
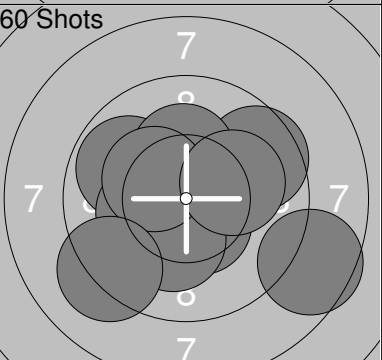
60 Shots		60 Shots	
	11: 9.4 ↓ 12: 8.9 → 13: 10.6x ↓ 14: 10.6x → 15: 10.4x ← 16: 10.6x ↗ 17: 10.4x ↗ 18: 9.3 ↘ 19: 8.8 ↘ 20: 10.0 ↘		21: 9.3 ↗ 22: 8.9 ↗ 23: 8.9 → 24: 9.8 ↗ 25: 8.6 ← 26: 10.0 ↓ 27: 10.6x ← 28: 5.9 ↘ 29: 9.5 ↗ 30: 10.3x ←
Series	99.0	Series	91.8
Total	190.6	Total	282.4

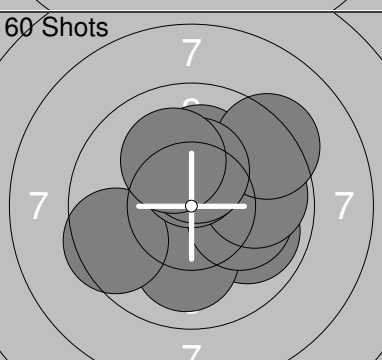
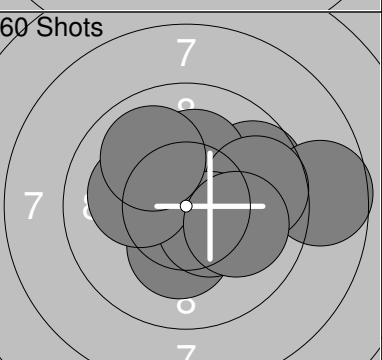
60 Shots		60 Shots	
	31: 10.8x ← 32: 10.3x ↘ 33: 8.7 ↑ 34: 10.4x ↗ 35: 10.6x ↗ 36: 10.1 → 37: 8.5 → 38: 10.7x ← 39: 10.4x ↘ 40: 8.7 ↓		41: 10.4x ↑ 42: 10.1 → 43: 9.5 ↗ 44: 10.1 ↑ 45: 8.5 ← 46: 10.1 ← 47: 10.2x ↗ 48: 10.2x ↓ 49: 8.4 → 50: 9.5 ←
Series	99.2	Series	97.0
Total	381.6	Total	478.6

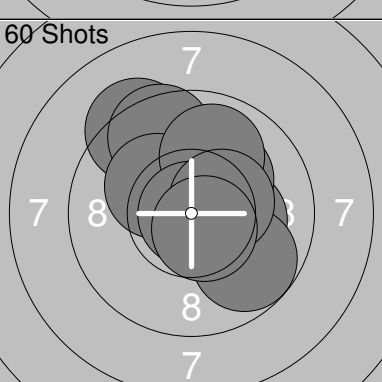
60 Shots			
	51: 10.0 ↗ 52: 7.9 → 53: 8.7 ↗ 54: 10.0 ↘ 55: 10.0 ↘ 56: 9.4 ↘ 57: 10.5x ↓ 58: 10.4x ↓ 59: 9.3 ↓ 60: 6.9 →		
Series	93.1		
Total	571.7		

Sight		Sight	
	1: 10.2x ↘ 2: 9.5 ↗ 3: 9.5 ↘ 4: 10.0 ↗ 5: 10.6x ↗ 6: 9.4 ↘ 7: 10.3x ↗ 8: 10.3x ↗ 9: 10.8x → 10: 10.4x ←		11: 9.9 ↘ 12: 9.4 ↘ 13: 9.5 ↘ 14: 9.1 ← 15: 9.3 ↘ 16: 10.1 ↗ 17: 10.3x ↘ 18: 10.4x → 19: 10.0 ← 20: 10.1 ↘
Series 101.0		Series 98.1	
Total 0.0		Total 0.0	

Sight		60 Shots	
	21: 10.3x ↗ 22: 10.3x ↘		1: 8.7 ← 2: 10.6x → 3: 10.3x ↘ 4: 9.7 → 5: 9.4 ↗ 6: 10.4x ↗ 7: 10.1 ↘ 8: 10.7x → 9: 10.4x → 10: 9.9 ↘
Series 20.6		Series 100.2	
Total 0.0		Total 100.2	

60 Shots		60 Shots	
	11: 9.4 ↘ 12: 10.5x → 13: 10.2x ↘ 14: 10.2x ↘ 15: 10.6x ↘ 16: 8.7 ↗ 17: 9.3 ↗ 18: 9.8 ↗ 19: 9.2 ↗ 20: 9.7 ↗		21: 9.8 ↗ 22: 9.6 ↗ 23: 10.3x ← 24: 8.6 ↘ 25: 10.5x ↘ 26: 10.2x ↗ 27: 10.2x ↘ 28: 10.3x ↗ 29: 10.1 → 30: 9.2 ↘
Series 97.6		Series 98.8	
Total 197.8		Total 296.6	

60 Shots		60 Shots	
	31: 9.9 → 32: 10.0 ↘ 33: 10.1 → 34: 9.9 → 35: 10.1 ↗ 36: 9.3 ↗ 37: 9.5 ← 38: 10.4x ↗ 39: 10.3x ↗ 40: 10.1 ↗		41: 9.7 ↗ 42: 10.5x ↗ 43: 10.3x ↘ 44: 8.7 → 45: 10.2x ↗ 46: 9.7 → 47: 10.5x ↘ 48: 10.1 ← 49: 10.0 ↗ 50: 10.1 ↘
Series 99.6		Series 99.8	
Total 396.2		Total 496.0	

60 Shots			
	51: 10.2x → 52: 9.3 ↗ 53: 9.5 ↗ 54: 10.2x ↗ 55: 10.2x ↗ 56: 9.9 ↗ 57: 10.9x ← 58: 9.8 ↘ 59: 10.4x → 60: 10.6x ↘		
Series 101.0			
Total 597.0			

<p>Sight</p>	<p>Sight</p>	
1: 6.9 ↑	11: 8.4 ↘	
2: 3.7 ↘	12: 9.0 ↘	
3: 6.0 →	13: 7.2 →	
4: 8.1 →	14: 7.4 →	
5: 8.5 ↘	15: 3.8 ←	
6: 5.6 →	16: 6.8 ↘	
7: 6.4 ↘	17: 5.8 →	
8: 8.6 ↗	18: 9.0 ↑	
9: 6.3 ↘		
10: 3.5 →		
Series 63.6	Series 57.4	
Total 0.0	Total 0.0	

<p>60 Shots</p>	<p>60 Shots</p>	
1: 7.8 ↗	11: 8.5 ↓	
2: 5.2 ↓	12: 2.7 ↘	
3: 8.7 ↘	13: 10.5x ↓	
4: 7.5 ↗	14: 9.1 →	
5: 6.7 →	15: 7.5 ↗	
6: 9.6 ↗	16: 4.1 ↗	
7: 9.5 ↗	17: 9.7 ↘	
8: 8.5 →	18: 5.8 ↓	
9: 9.7 →	19: 8.3 ↓	
10: 9.6 ↗	20: 9.0 ↘	
Series 82.8	Series 75.2	
Total 82.8	Total 158.0	

<p>60 Shots</p>	<p>60 Shots</p>	
21: 7.1 ↘	31: 8.3 ↗	
22: 8.2 ↗	32: 6.6 ←	
23: 10.1 →	33: 7.4 →	
24: 10.1 →	34: 8.0 ↘	
25: 10.4x ↘	35: 6.3 ↗	
26: 6.3 →	36: 10.8x ↓	
27: 6.4 ↑	37: 10.4x ↗	
28: 9.1 →	38: 9.6 ↓	
29: 9.6 ↘	39: 7.7 ↓	
30: 8.8 ↘	40: 9.3 ↗	
Series 86.1	Series 84.4	
Total 244.1	Total 328.5	