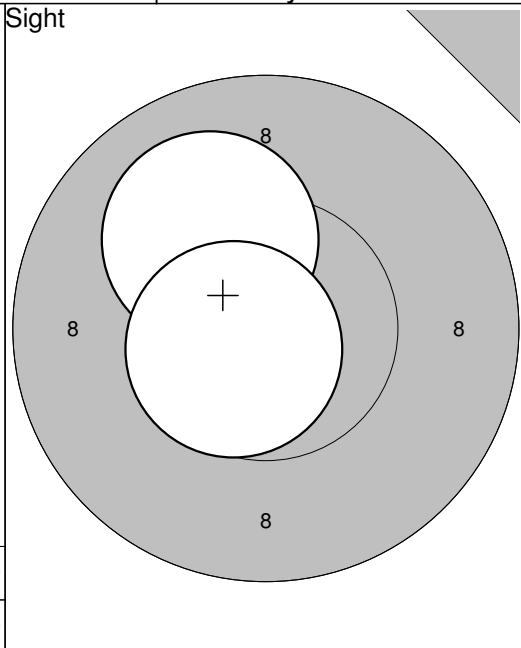
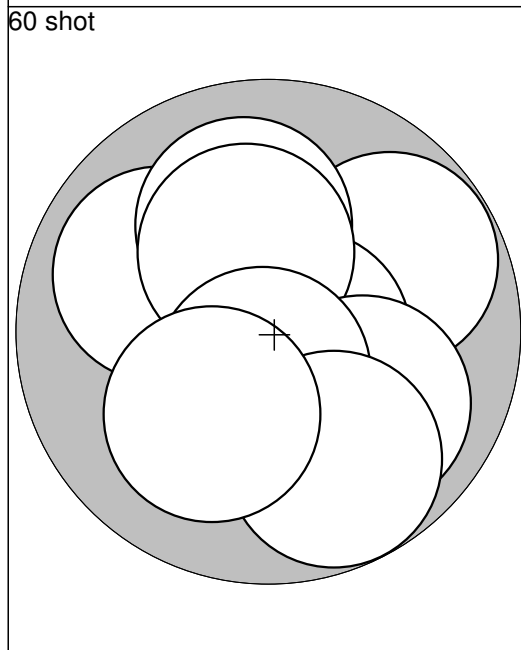


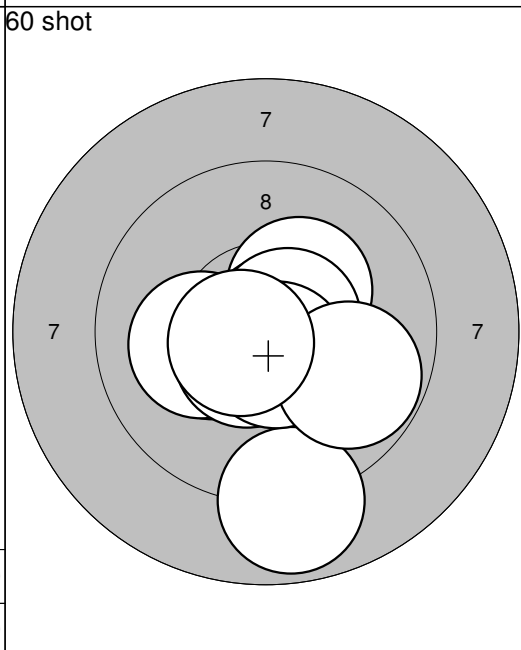
1: 10,6*	←
2: 10,7*	↖
3: 10,2*	↖
4: 9,5	←
5: 10,4*	↖
6: 10,3*	←
7: 10,7*	↓
8: 10,1	↑
9: 10,7*	↖
10: 10,0	↗
<b>Serie 99,0</b>	
<b>Totalt 0,0</b>	



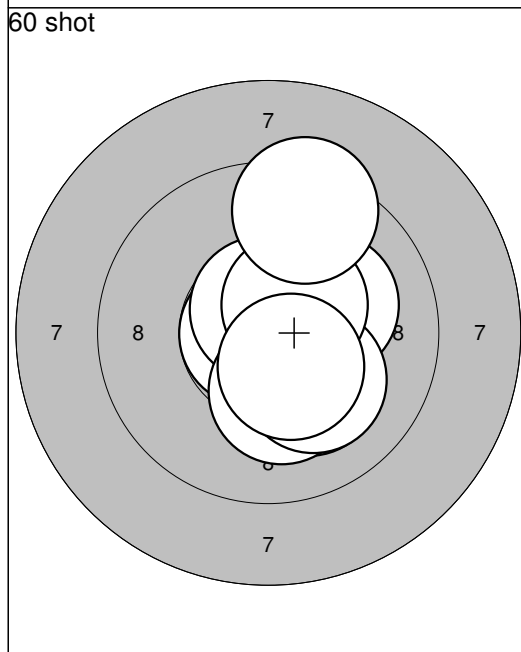
11: 10,1	↗
12: 10,6*	↖
<b>Serie 20,0</b>	
<b>Totalt 0,0</b>	



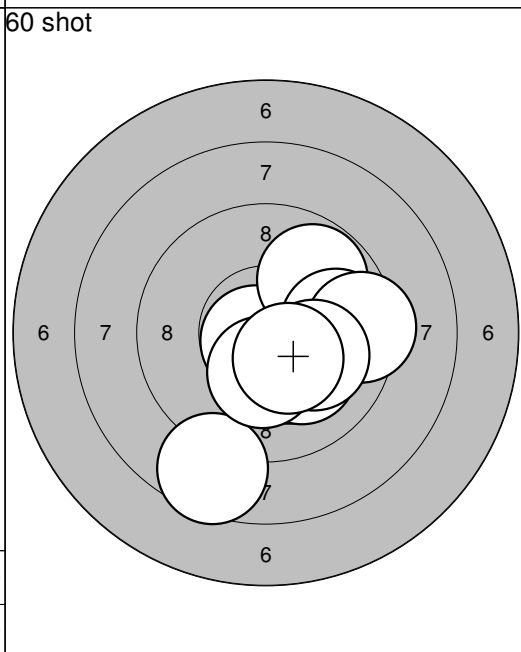
1: 10,6*	←
2: 9,8	↗
3: 9,9	↖
4: 10,7*	→
5: 10,0	↑
6: 10,3*	↑
7: 10,0	↓
8: 10,6*	↓
9: 9,8	↓
10: 10,1	↓
<b>Serie 97,0</b>	
<b>Totalt 97,0</b>	



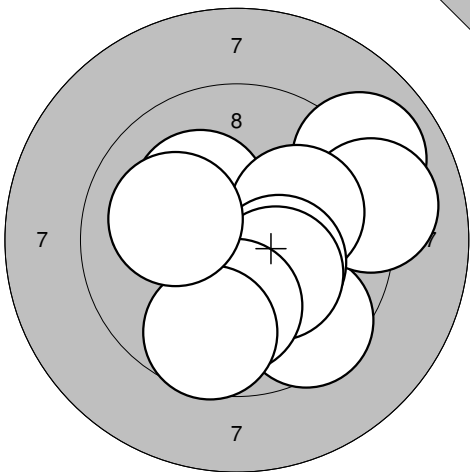
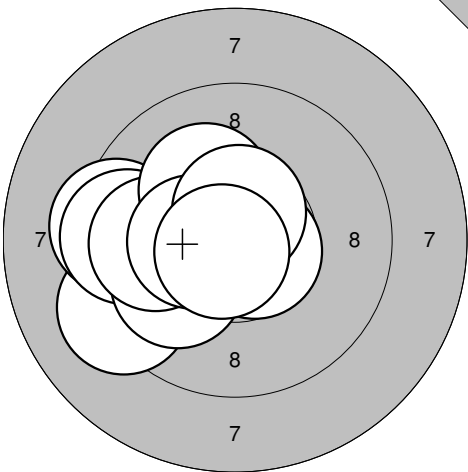
11: 10,3*	←
12: 10,2*	←
13: 10,6*	↖
14: 8,9	↓
15: 10,3*	↗
16: 10,8*	→
17: 10,7*	↗
18: 10,6*	↓
19: 9,8	↘
20: 10,6*	↖
<b>Serie 97,0</b>	
<b>Totalt 194,0</b>	

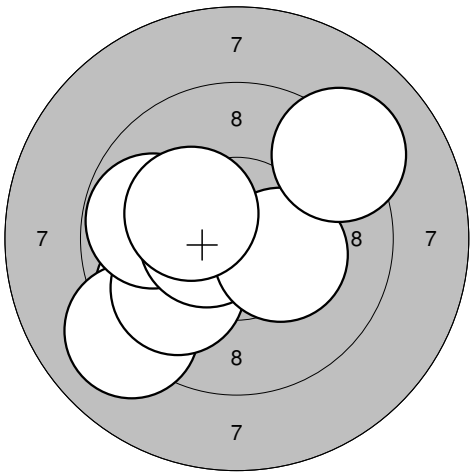
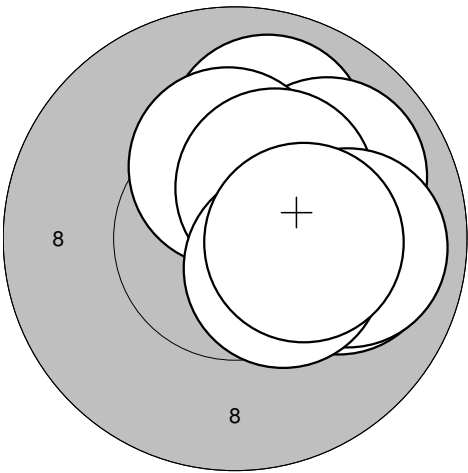


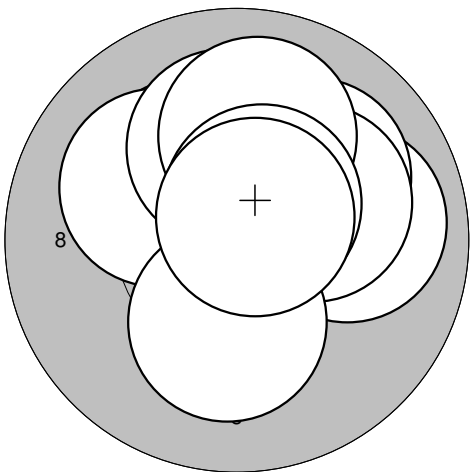
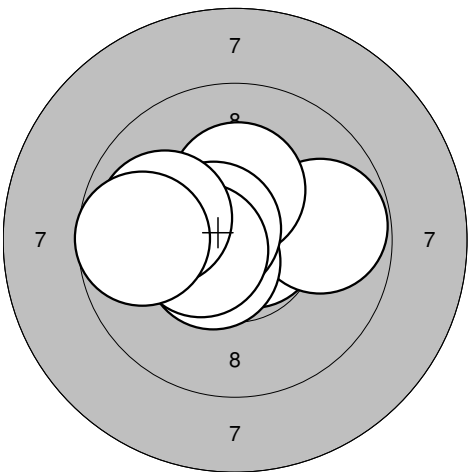
21: 10,2*	↘
22: 10,8*	←
23: 10,5*	↘
24: 10,7*	↑
25: 10,2*	↗
26: 10,2*	↓
27: 10,1	↘
28: 10,5*	↗
29: 9,4	↑
30: 10,4*	↘
<b>Serie 99,0</b>	
<b>Totalt 293,0</b>	

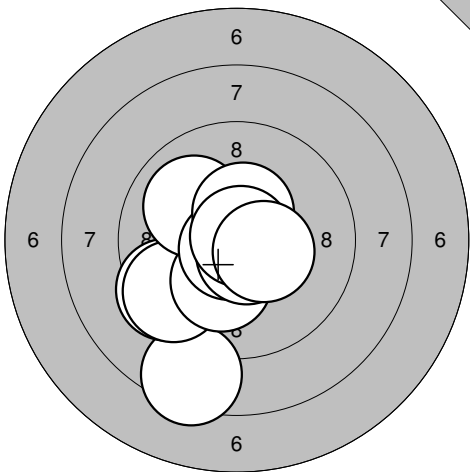
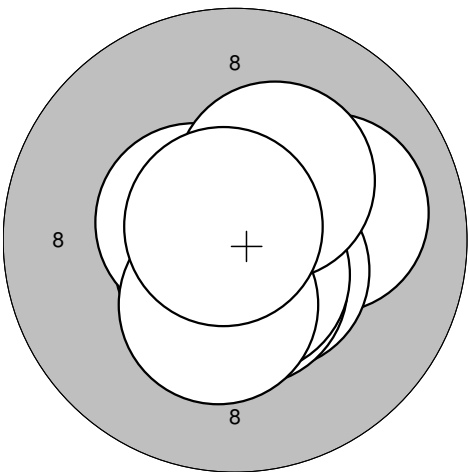


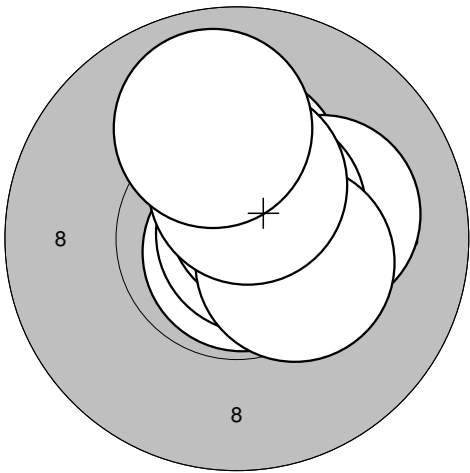
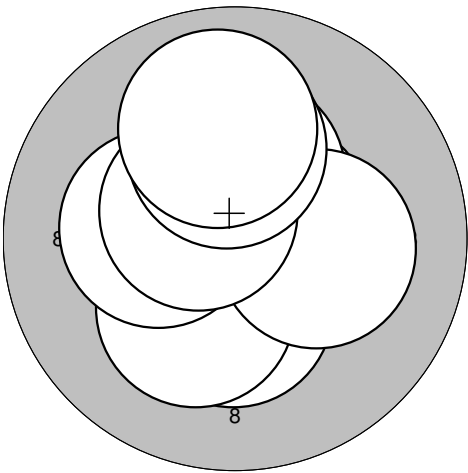
31: 10,7*	↖
32: 8,6	↓
33: 9,8	↗
34: 9,8	→
35: 10,3*	↘
36: 9,4	→
37: 10,1	↘
38: 10,1	↘
39: 10,3*	↓
40: 10,4*	↘
<b>Serie 95,0</b>	
<b>Totalt 388,0</b>	

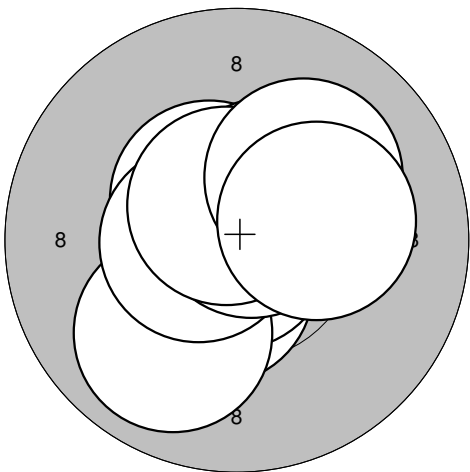
<p>Sight</p> 	<p>1: 9,5 ↘ 2: 10,2* ↗ 3: 9,0 ↗ 4: 9,1 → 5: 10,1 → 6: 10,3* ↘ 7: 10,3* ↘ 8: 10,1 ↓ 9: 9,7 ↓ 10: 10,1 ←</p> <p>Serie 96,0 Totalt 0,0</p>	<p>Sight</p> 	<p>11: 9,2 ↙ 12: 10,6* ↘ 13: 9,4 ← 14: 9,5 ← 15: 10,0 ↙ 16: 9,9 ← 17: 10,2* ↗ 18: 10,4* ← 19: 10,6* ↑ 20: 10,7* ↙</p> <p>Serie 96,0 Totalt 0,0</p>
---	---	---	--

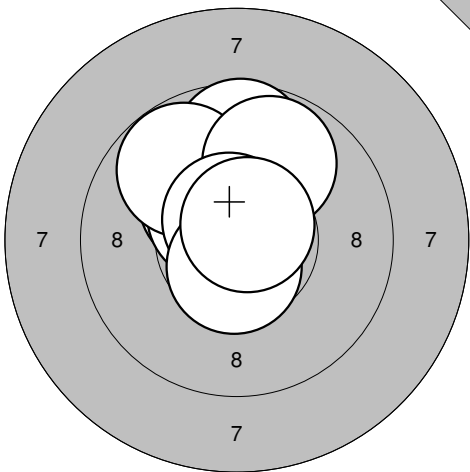
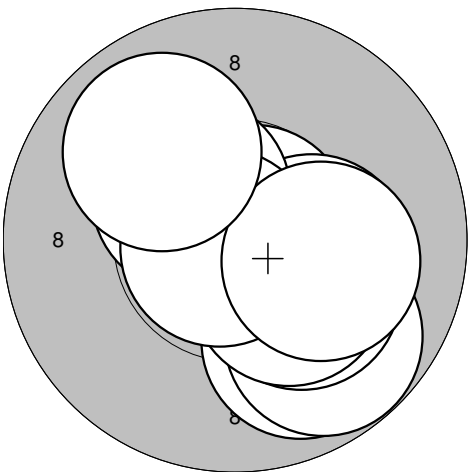
<p>60 shot</p> 	<p>1: 10,4* ← 2: 9,7 ↙ 3: 10,1 ← 4: 9,1 ↙ 5: 9,9 ↙ 6: 9,8 ← 7: 10,6* ← 8: 10,3* → 9: 10,3* ↗ 10: 9,2 ↗</p> <p>Serie 95,0 Totalt 95,0</p>	<p>60 shot</p> 	<p>11: 10,0 → 12: 10,0 ↑ 13: 10,3* → 14: 10,4* → 15: 9,9 ↗ 16: 10,3* ↑ 17: 10,4* ↗ 18: 9,9 → 19: 10,4* ↘ 20: 10,3* →</p> <p>Serie 98,0 Totalt 193,0</p>
--	--	--	---

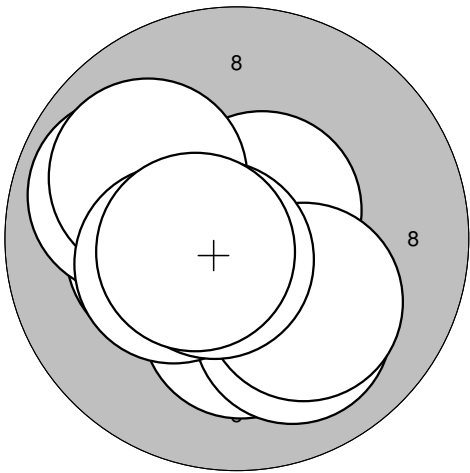
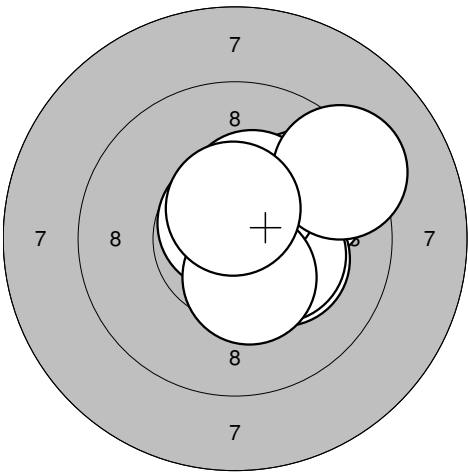
<p>60 shot</p> 	<p>21: 9,9 → 22: 10,1 ↗ 23: 10,2* → 24: 10,2* ↗ 25: 10,1 ↗ 26: 10,1 ↑ 27: 10,0 ↑ 28: 10,5* ↗ 29: 10,2* ↓ 30: 10,7* ↗</p> <p>Serie 99,0 Totalt 292,0</p>	<p>60 shot</p> 	<p>31: 10,7* → 32: 10,7* ← 33: 10,5* ← 34: 9,8 → 35: 10,5* ↙ 36: 10,3* ↑ 37: 10,6* ↙ 38: 10,5* ← 39: 10,0 ← 40: 9,7 ←</p> <p>Serie 98,0 Totalt 390,0</p>
---	---	---	--

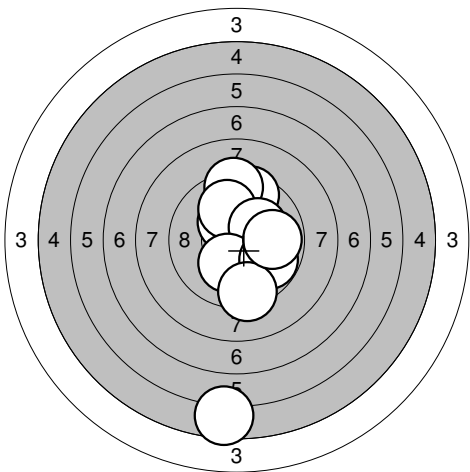
<p>Sight</p> 	<p>60 shot</p> 	<p>1: 8,4 ↘ 2: 9,4 ↙ 3: 9,5 ↙ 4: 10,2* ↘ 5: 10,0 ↗ 6: 10,8* ↘ 7: 10,5* ↗ 8: 10,6* ↘ 9: 10,8* ↗ 10: 10,4* →</p> <p>Serie 96,0 Totalt 0,0</p>	<p>1: 10,1 → 2: 10,5* ↘ 3: 10,7* ↙ 4: 10,8* ↗ 5: 10,5* ↘ 6: 10,6* ↙ 7: 10,6* ↘ 8: 10,3* ↘ 9: 10,3* ↗ 10: 10,8* ↙</p> <p>Serie 100,0 Totalt 100,0</p>
---	---	---	--

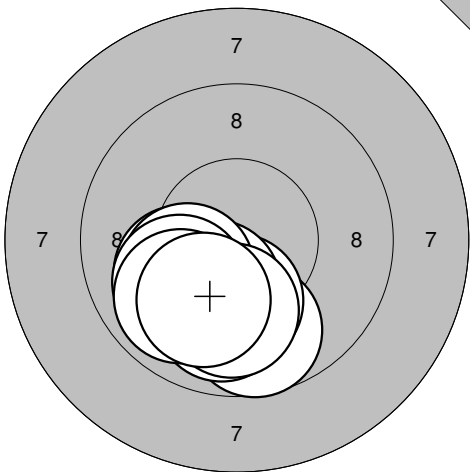
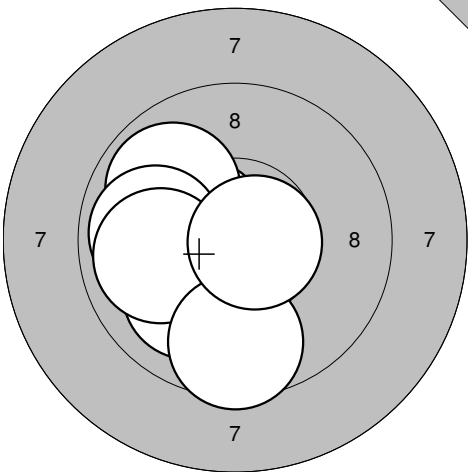
<p>60 shot</p> 	<p>60 shot</p> 	<p>11: 10,5* ↗ 12: 10,3* ↑ 13: 10,6* → 14: 10,2* → 15: 10,8* ↘ 16: 10,8* → 17: 10,6* ↗ 18: 10,4* → 19: 10,5* ↑ 20: 9,9 ↑</p> <p>Serie 99,0 Totalt 199,0</p>	<p>21: 10,6* ↗ 22: 10,1 ↑ 23: 10,3* ↓ 24: 10,2* ↘ 25: 10,4* ↑ 26: 10,2* → 27: 10,3* ← 28: 10,5* ↙ 29: 10,1 ↑ 30: 9,9 ↑</p> <p>Serie 99,0 Totalt 298,0</p>
--	--	---	---

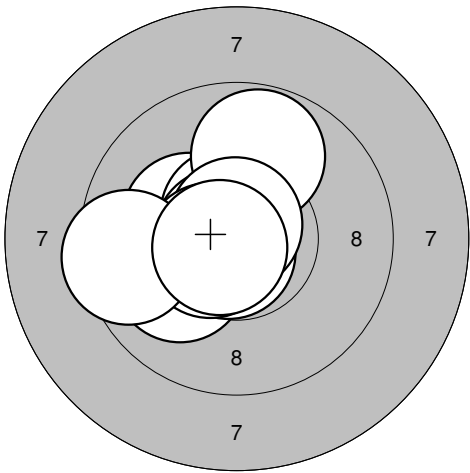
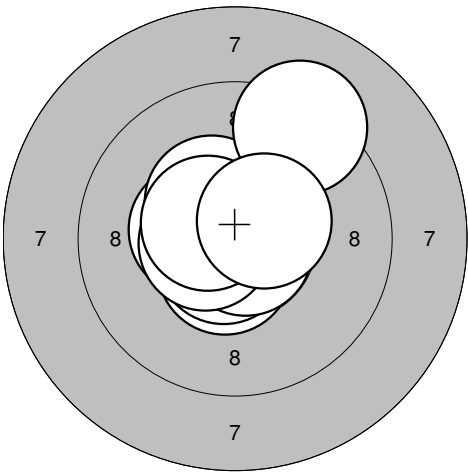
<p>60 shot</p> 	<p>31: 10,5* ↙ 32: 10,5* ↘ 33: 10,8* ↘ 34: 9,9 ↘ 35: 10,6* ← 36: 10,7* ↗ 37: 10,5* ↗ 38: 10,6* ↑ 39: 10,1 ↗ 40: 10,2* →</p> <p>Serie 99,0 Totalt 397,0</p>	
---	--	--

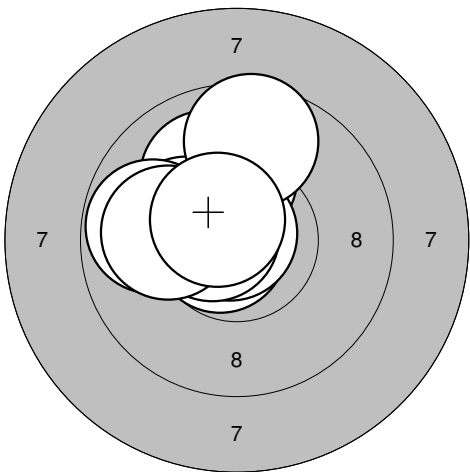
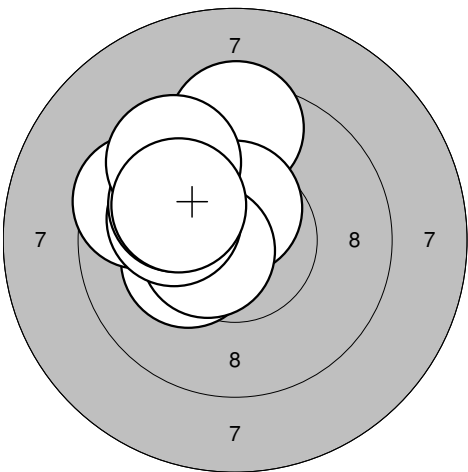
<p>Sight</p> 	<p>60 shot</p> <table style="width:100%; border-collapse: collapse;"> <tr><td>1: 10,3*</td><td>↖</td></tr> <tr><td>2: 9,7</td><td>↑</td></tr> <tr><td>3: 10,5*</td><td>↖</td></tr> <tr><td>4: 9,8</td><td>↖</td></tr> <tr><td>5: 9,8</td><td>↖</td></tr> <tr><td>6: 10,7*</td><td>↑</td></tr> <tr><td>7: 10,6*</td><td>↓</td></tr> <tr><td>8: 10,7*</td><td>↖</td></tr> </table>	1: 10,3*	↖	2: 9,7	↑	3: 10,5*	↖	4: 9,8	↖	5: 9,8	↖	6: 10,7*	↑	7: 10,6*	↓	8: 10,7*	↖	 <table style="width:100%; border-collapse: collapse;"> <tr><td>1: 10,7*</td><td>↗</td></tr> <tr><td>2: 10,2*</td><td>→</td></tr> <tr><td>3: 9,9</td><td>↘</td></tr> <tr><td>4: 9,8</td><td>↘</td></tr> <tr><td>5: 10,2*</td><td>↘</td></tr> <tr><td>6: 10,3*</td><td>↘</td></tr> <tr><td>7: 10,4*</td><td>↖</td></tr> <tr><td>8: 10,8*</td><td>↙</td></tr> <tr><td>9: 10,1</td><td>→</td></tr> <tr><td>10: 9,9</td><td>↖</td></tr> </table>	1: 10,7*	↗	2: 10,2*	→	3: 9,9	↘	4: 9,8	↘	5: 10,2*	↘	6: 10,3*	↘	7: 10,4*	↖	8: 10,8*	↙	9: 10,1	→	10: 9,9	↖
1: 10,3*	↖																																					
2: 9,7	↑																																					
3: 10,5*	↖																																					
4: 9,8	↖																																					
5: 9,8	↖																																					
6: 10,7*	↑																																					
7: 10,6*	↓																																					
8: 10,7*	↖																																					
1: 10,7*	↗																																					
2: 10,2*	→																																					
3: 9,9	↘																																					
4: 9,8	↘																																					
5: 10,2*	↘																																					
6: 10,3*	↘																																					
7: 10,4*	↖																																					
8: 10,8*	↙																																					
9: 10,1	→																																					
10: 9,9	↖																																					
Serie 77,0	Serie 97,0																																					
Totalt 0,0	Totalt 97,0																																					

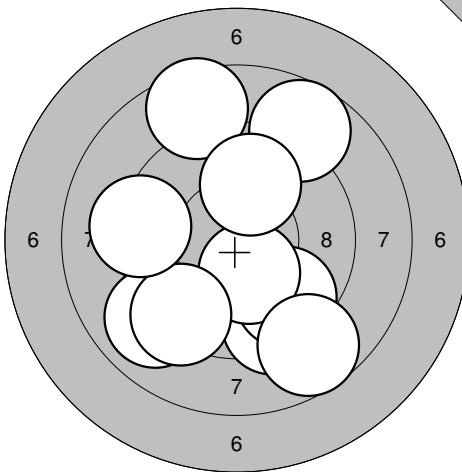
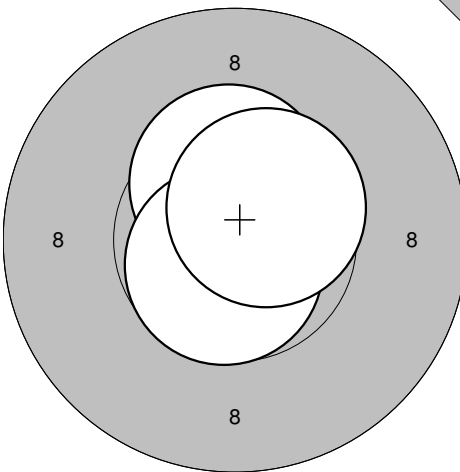
<p>60 shot</p> 	<p>60 shot</p> <table style="width:100%; border-collapse: collapse;"> <tr><td>11: 10,3*</td><td>←</td></tr> <tr><td>12: 10,6*</td><td>↗</td></tr> <tr><td>13: 9,9</td><td>↖</td></tr> <tr><td>14: 10,2*</td><td>↓</td></tr> <tr><td>15: 10,0</td><td>↘</td></tr> <tr><td>16: 10,1</td><td>↘</td></tr> <tr><td>17: 10,0</td><td>↖</td></tr> <tr><td>18: 10,3*</td><td>←</td></tr> <tr><td>19: 10,7*</td><td>↙</td></tr> <tr><td>20: 10,6*</td><td>←</td></tr> </table>	11: 10,3*	←	12: 10,6*	↗	13: 9,9	↖	14: 10,2*	↓	15: 10,0	↘	16: 10,1	↘	17: 10,0	↖	18: 10,3*	←	19: 10,7*	↙	20: 10,6*	←	<p>60 shot</p>  <table style="width:100%; border-collapse: collapse;"> <tr><td>21: 10,5*</td><td>↘</td></tr> <tr><td>22: 9,9</td><td>↗</td></tr> <tr><td>23: 10,7*</td><td>↑</td></tr> <tr><td>24: 10,7*</td><td>↖</td></tr> <tr><td>25: 10,3*</td><td>↘</td></tr> <tr><td>26: 10,3*</td><td>↘</td></tr> <tr><td>27: 10,4*</td><td>↖</td></tr> <tr><td>28: 10,4*</td><td>↘</td></tr> <tr><td>29: 9,3</td><td>↗</td></tr> <tr><td>30: 10,6*</td><td>↑</td></tr> </table>	21: 10,5*	↘	22: 9,9	↗	23: 10,7*	↑	24: 10,7*	↖	25: 10,3*	↘	26: 10,3*	↘	27: 10,4*	↖	28: 10,4*	↘	29: 9,3	↗	30: 10,6*	↑
11: 10,3*	←																																									
12: 10,6*	↗																																									
13: 9,9	↖																																									
14: 10,2*	↓																																									
15: 10,0	↘																																									
16: 10,1	↘																																									
17: 10,0	↖																																									
18: 10,3*	←																																									
19: 10,7*	↙																																									
20: 10,6*	←																																									
21: 10,5*	↘																																									
22: 9,9	↗																																									
23: 10,7*	↑																																									
24: 10,7*	↖																																									
25: 10,3*	↘																																									
26: 10,3*	↘																																									
27: 10,4*	↖																																									
28: 10,4*	↘																																									
29: 9,3	↗																																									
30: 10,6*	↑																																									
Serie 99,0	Serie 98,0																																									
Totalt 196,0	Totalt 294,0																																									

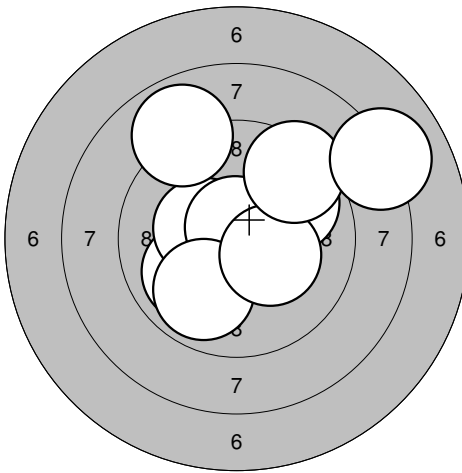
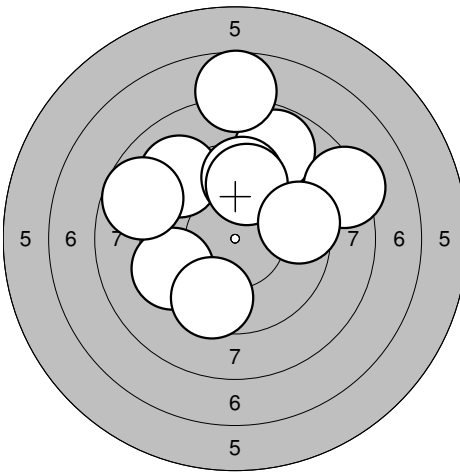
<p>60 shot</p> 	<table style="width:100%; border-collapse: collapse;"> <tr><td>31: 9,5</td><td>↑</td></tr> <tr><td>32: 9,3</td><td>↑</td></tr> <tr><td>33: 10,3*</td><td>↖</td></tr> <tr><td>34: 10,0</td><td>↑</td></tr> <tr><td>35: 10,2*</td><td>↗</td></tr> <tr><td>36: 5,6</td><td>↓</td></tr> <tr><td>37: 10,2*</td><td>↓</td></tr> <tr><td>38: 9,8</td><td>↘</td></tr> <tr><td>39: 9,3</td><td>↓</td></tr> <tr><td>40: 9,9</td><td>→</td></tr> </table>	31: 9,5	↑	32: 9,3	↑	33: 10,3*	↖	34: 10,0	↑	35: 10,2*	↗	36: 5,6	↓	37: 10,2*	↓	38: 9,8	↘	39: 9,3	↓	40: 9,9	→	
31: 9,5	↑																					
32: 9,3	↑																					
33: 10,3*	↖																					
34: 10,0	↑																					
35: 10,2*	↗																					
36: 5,6	↓																					
37: 10,2*	↓																					
38: 9,8	↘																					
39: 9,3	↓																					
40: 9,9	→																					
Serie 90,0																						
Totalt 384,0																						

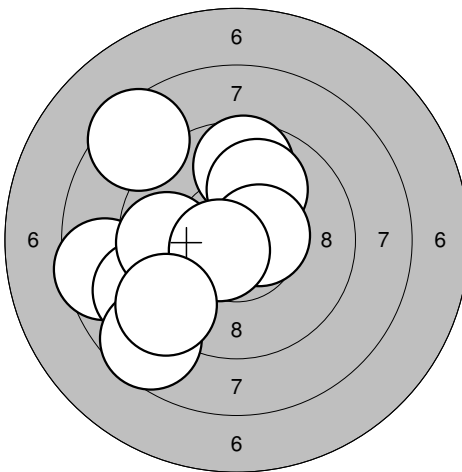
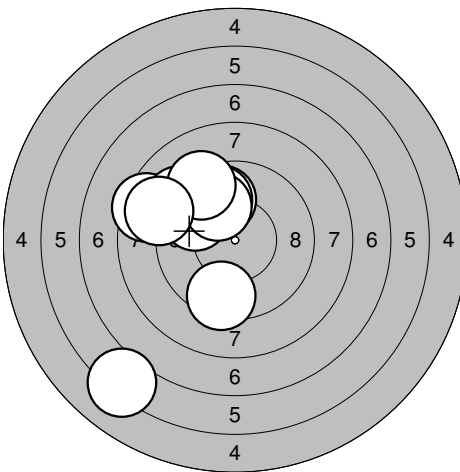
<p>Sight</p> 	<p>1: 9,7 ↓</p> <p>2: 10,1 ↓</p> <p>3: 10,2* ↓</p> <p>4: 10,1 ←</p> <p>5: 10,2* ←</p> <p>6: 9,9 ↓</p> <p>7: 10,0 ←</p> <p>8: 9,9 ←</p> <p>9: 10,0 ↓</p> <p>10: 10,0 ↓</p> <hr/> <p>Serie 97,0</p> <p>Totalt 0,0</p>	<p>Sight</p> 	<p>11: 10,0 ↘</p> <p>12: 10,5* ←</p> <p>13: 10,5* ←</p> <p>14: 10,6* ↘</p> <p>15: 9,9 ↗</p> <p>16: 9,9 ←</p> <p>17: 9,9 ←</p> <p>18: 9,6 ↓</p> <p>19: 10,7* →</p> <hr/> <p>Serie 86,0</p> <p>Totalt 0,0</p>
---	---	---	---

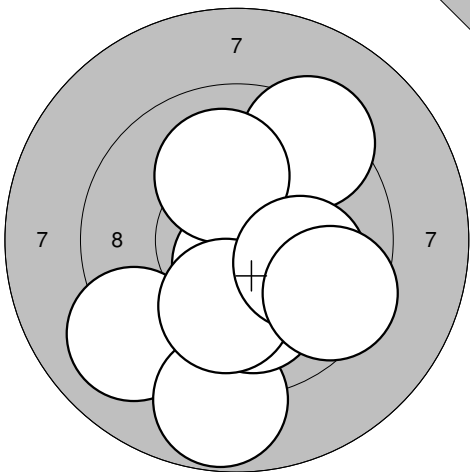
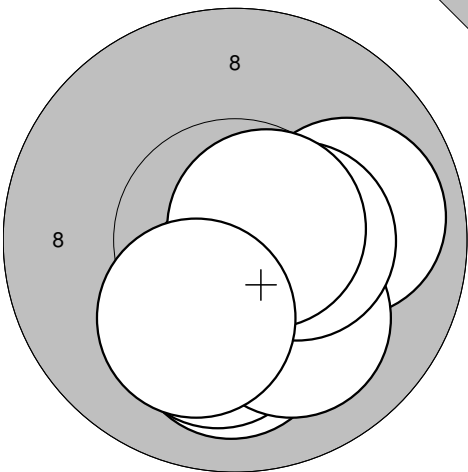
<p>60 shot</p> 	<p>1: 10,1 ←</p> <p>2: 10,3* ←</p> <p>3: 10,6* ↑</p> <p>4: 10,7* ↓</p> <p>5: 9,8 ↑</p> <p>6: 10,7* ←</p> <p>7: 10,8* ↑</p> <p>8: 10,6* ←</p> <p>9: 9,5 ←</p> <p>10: 10,7* ←</p> <hr/> <p>Serie 98,0</p> <p>Totalt 98,0</p>	<p>60 shot</p> 	<p>11: 10,5* ↓</p> <p>12: 10,7* ↓</p> <p>13: 10,8* ↘</p> <p>14: 10,4* ←</p> <p>15: 10,5* ↗</p> <p>16: 10,4* ↗</p> <p>17: 9,2 ↗</p> <p>18: 10,6* ←</p> <p>19: 10,5* ↗</p> <p>20: 10,5* ↗</p> <hr/> <p>Serie 99,0</p> <p>Totalt 197,0</p>
--	--	--	---

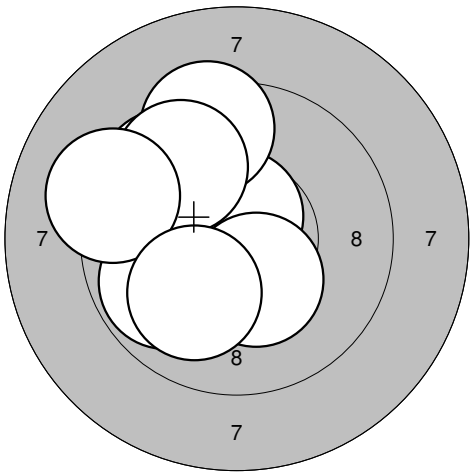
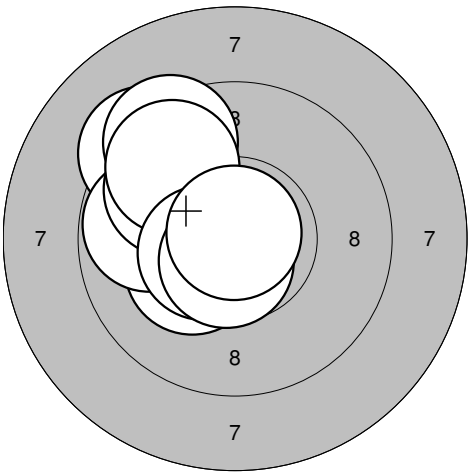
<p>60 shot</p> 	<p>21: 10,1 ↑</p> <p>22: 10,7* ←</p> <p>23: 10,8* ↗</p> <p>24: 10,0 ↑</p> <p>25: 10,3* ←</p> <p>26: 9,8 ←</p> <p>27: 9,6 ↑</p> <p>28: 10,6* ←</p> <p>29: 10,0 ←</p> <p>30: 10,6* ↗</p> <hr/> <p>Serie 98,0</p> <p>Totalt 295,0</p>	<p>60 shot</p> 	<p>31: 9,9 ↗</p> <p>32: 9,5 ↑</p> <p>33: 10,3* ←</p> <p>34: 10,5* ↑</p> <p>35: 10,6* ←</p> <p>36: 9,6 ←</p> <p>37: 10,1 ←</p> <p>38: 10,0 ↗</p> <p>39: 9,6 ↗</p> <p>40: 10,1 ↗</p> <hr/> <p>Serie 96,0</p> <p>Totalt 391,0</p>
---	--	---	--

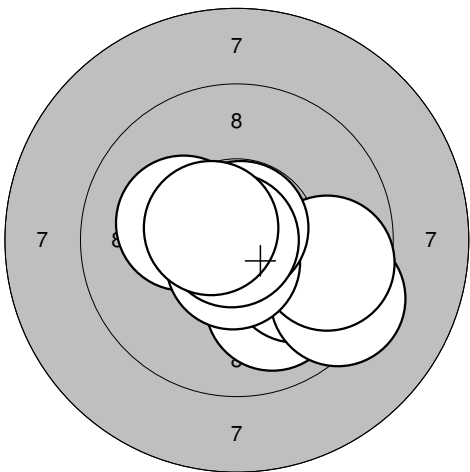
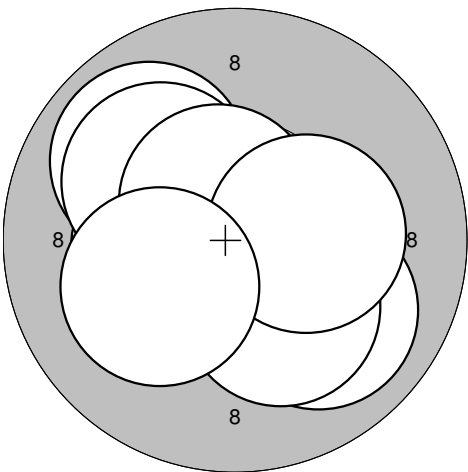
<p>Sight</p> 	<p>1: 8,5 ↑</p> <p>2: 9,3 ↓</p> <p>3: 9,6 ↓</p> <p>4: 9,0 ↙</p> <p>5: 10,3* ↓</p> <p>6: 8,7 ↗</p> <p>7: 9,3 ↙</p> <p>8: 8,7 ↓</p> <p>9: 9,2 ←</p> <p>10: 9,9 ↑</p> <hr/> <p>Serie 88,0</p> <p>Totalt 0,0</p>	<p>Sight</p> 	<p>11: 10,4* ↑</p> <p>12: 10,7* ↓</p> <p>13: 10,5* ↗</p> <hr/> <p>Serie 30,0</p> <p>Totalt 0,0</p>
---	--	---	--

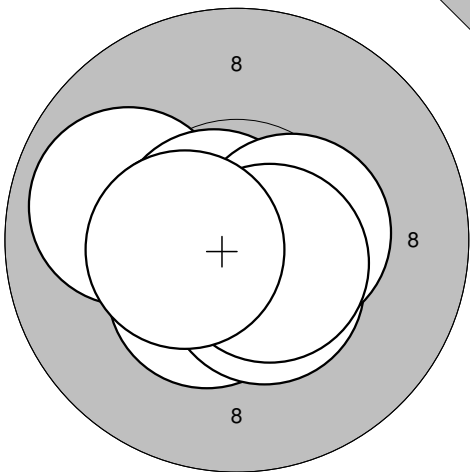
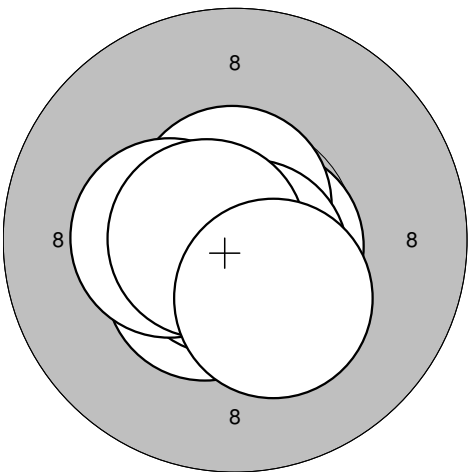
<p>60 shot</p> 	<p>1: 10,0 ↙</p> <p>2: 10,7* ↓</p> <p>3: 9,8 ↗</p> <p>4: 10,3* ←</p> <p>5: 10,8* ↑</p> <p>6: 8,9 ↗</p> <p>7: 9,9 ↓</p> <p>8: 10,3* →</p> <p>9: 9,4 ↗</p> <p>10: 8,0 ↗</p> <hr/> <p>Serie 93,0</p> <p>Totalt 93,0</p>	<p>60 shot</p> 	<p>11: 9,4 ↙</p> <p>12: 9,1 ↖</p> <p>13: 8,8 ↗</p> <p>14: 9,6 ↓</p> <p>15: 8,3 ↗</p> <p>16: 7,7 ↑</p> <p>17: 9,6 ↑</p> <p>18: 9,7 ↑</p> <p>19: 8,8 ↙</p> <p>20: 9,5 →</p> <hr/> <p>Serie 85,0</p> <p>Totalt 178,0</p>
--	--	--	---

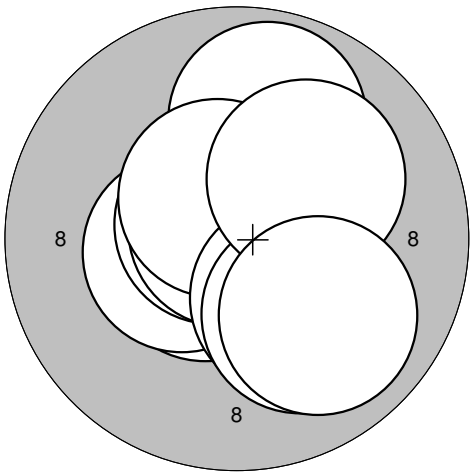
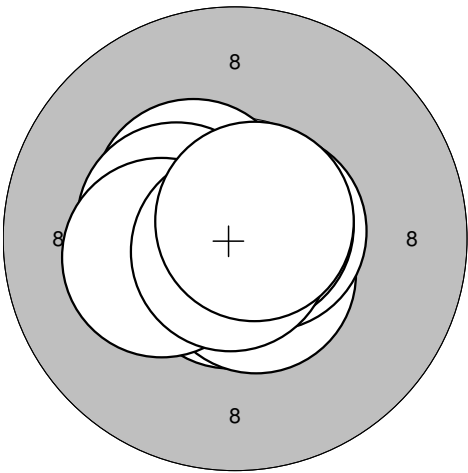
<p>60 shot</p> 	<p>21: 8,5 ↖</p> <p>22: 8,6 ←</p> <p>23: 9,7 ↑</p> <p>24: 9,1 ↙</p> <p>25: 10,0 ↑</p> <p>26: 10,5* →</p> <p>27: 9,7 ←</p> <p>28: 10,6* ↙</p> <p>29: 8,6 ↙</p> <p>30: 9,3 ↙</p> <hr/> <p>Serie 90,0</p> <p>Totalt 268,0</p>	<p>60 shot</p> 	<p>31: 9,8 ↑</p> <p>32: 9,4 ↓</p> <p>33: 9,8 ↗</p> <p>34: 8,5 ↙</p> <p>35: 9,2 ↖</p> <p>36: 9,8 ↖</p> <p>37: 10,0 ↗</p> <p>38: 9,3 ↗</p> <p>39: 6,2 ↓</p> <p>40: 8,8 ↙</p> <hr/> <p>Serie 86,0</p> <p>Totalt 354,0</p>
---	--	---	--

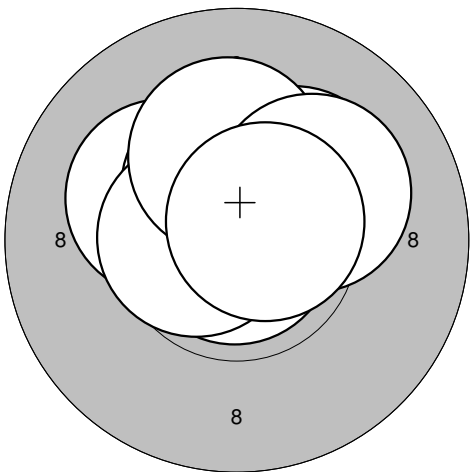
<p>Sight</p> 	<p>Sight</p> 	
<p>1: 9,1 ↙ 2: 8,8 ↓ 3: 10,0 ↓ 4: 9,4 ↗ 5: 10,2* ↘ 6: 10,6* ↓ 7: 10,1 ↗ 8: 10,1 ↓ 9: 10,0 → 10: 9,5 ↘</p>	<p>11: 10,5* ↓ 12: 10,1 ↓ 13: 10,1 ↓ 14: 9,9 → 15: 10,1 ↓ 16: 10,4* → 17: 10,6* ↗ 18: 10,2* ↘</p>	
Serie 95,0	Serie 79,0	
Totalt 0,0	Totalt 0,0	

<p>60 shot</p> 	<p>60 shot</p> 	
<p>1: 9,8 ↙ 2: 10,5* ↗ 3: 10,3* ↗ 4: 10,6* ↑ 5: 9,7 ↗ 6: 9,4 ↗ 7: 9,7 ↗ 8: 10,3* ↓ 9: 9,2 ↗ 10: 10,0 ↓</p>	<p>11: 10,3* ↙ 12: 10,2* ↙ 13: 9,3 ↗ 14: 9,8 ↙ 15: 9,4 ↗ 16: 9,9 ↗ 17: 9,7 ↗ 18: 10,5* ↙ 19: 10,6* ↓ 20: 10,9* ↑</p>	
Serie 95,0	Serie 95,0	
Totalt 95,0	Totalt 190,0	

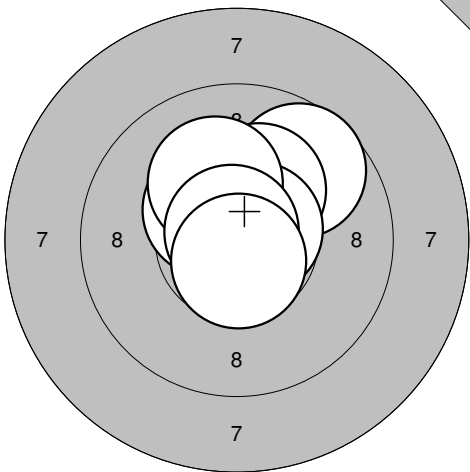
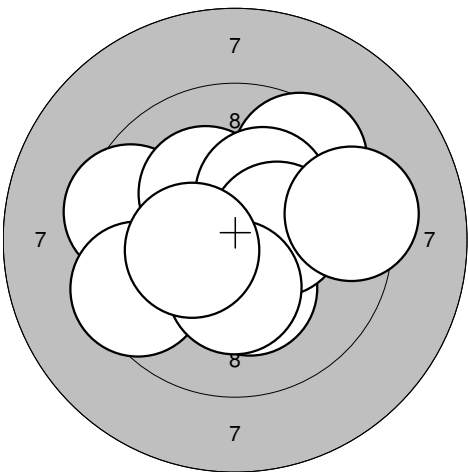
<p>60 shot</p> 	<p>60 shot</p> 	
<p>21: 10,3* ↓ 22: 10,0 ↓ 23: 10,2* ↗ 24: 10,0 ↓ 25: 9,4 ↘ 26: 9,7 ↘ 27: 10,6* ↓ 28: 10,8* ↗ 29: 10,9* ↙ 30: 10,6* ↗</p>	<p>31: 10,0 ↘ 32: 10,6* ↘ 33: 10,4* ↙ 34: 9,9 ↗ 35: 10,6* ↗ 36: 10,1 ↗ 37: 10,6* ↗ 38: 10,2* ↓ 39: 10,3* → 40: 10,2* ↙</p>	
Serie 98,0	Serie 99,0	
Totalt 288,0	Totalt 387,0	

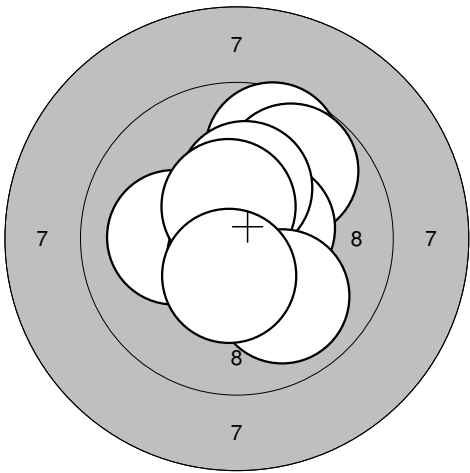
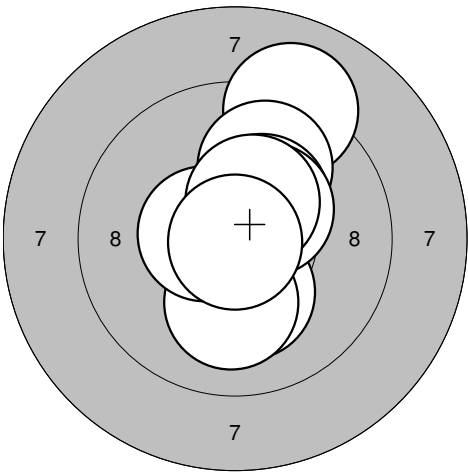
Sight 	60 shot 1: 9,9 ← 2: 10,5* ← 3: 10,4* ↘ 4: 10,7* ↗ 5: 10,7* ↓ 6: 10,5* ↘ 7: 10,4* → 8: 10,6* ↘ 9: 10,5* ← Serie 89,0 Totalt 0,0	 1: 10,6* ↓ 2: 10,5* ↘ 3: 10,5* ← 4: 10,7* → 5: 10,6* ↑ 6: 10,8* ↘ 7: 10,4* ← 8: 10,7* ↘ 9: 10,7* ← 10: 10,3* ↓ Serie 100,0 Totalt 100,0
---	---	---

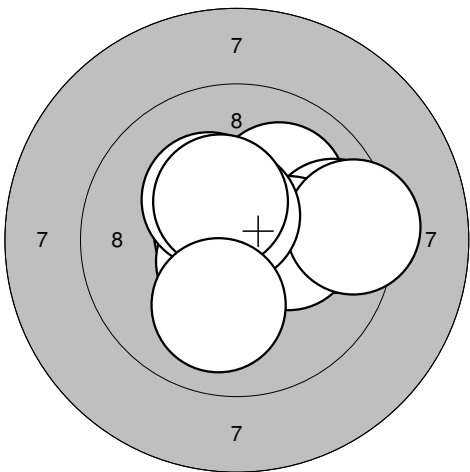
60 shot 	60 shot 11: 10,6* ↘ 12: 10,4* ← 13: 10,7* ↗ 14: 9,9 ↑ 15: 10,8* ↗ 16: 10,6* ↗ 17: 10,2* ↓ 18: 10,1 ↓ 19: 10,1 ↗ 20: 9,9 ↘ Serie 98,0 Totalt 198,0	 21: 10,7* ↓ 22: 10,7* ↘ 23: 10,6* ↘ 24: 10,4* ↗ 25: 10,4* ← 26: 10,7* → 27: 10,3* ← 28: 10,7* ↗ 29: 10,8* ↓ 30: 10,7* ↗ Serie 100,0 Totalt 298,0
--	---	---

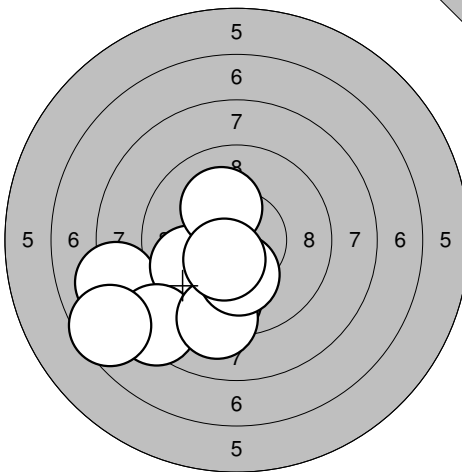
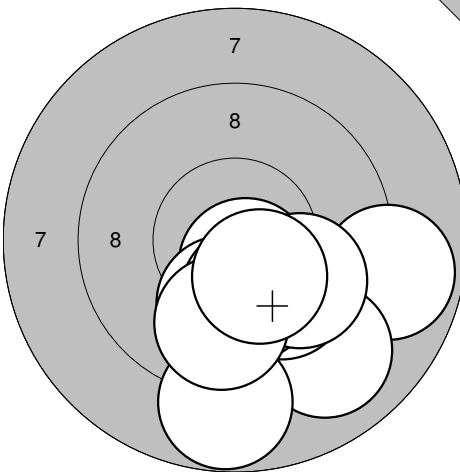
60 shot 	31: 10,9* ↓ 32: 10,6* ↑ 33: 10,2* ↗ 34: 10,5* ↑ 35: 10,6* ← 36: 10,4* ↑ 37: 10,2* ↗ 38: 10,2* ↑ 39: 10,1 ↗ 40: 10,6* ↗ Serie 100,0 Totalt 398,0	
---	--	--

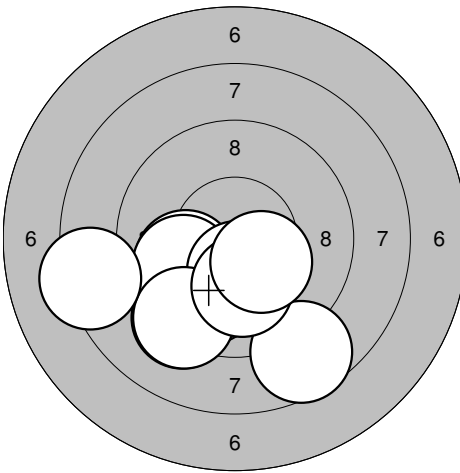


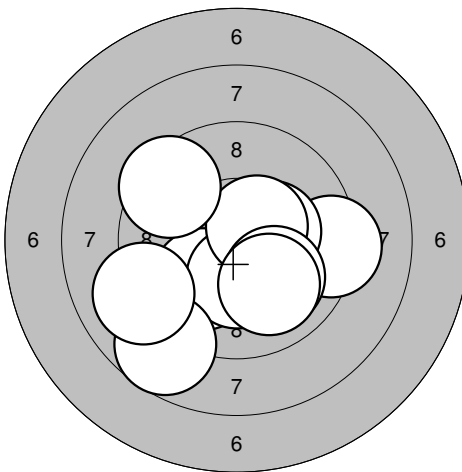
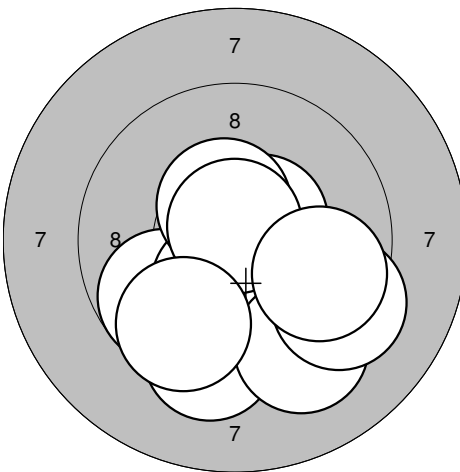
<p>Sight</p> 	<p>60 shot</p> <p>1: 9,7 ↗ 2: 10,2* ↗ 3: 10,7* ↗ 4: 10,4* ↖ 5: 10,1 ↗ 6: 10,8* ↗ 7: 10,7* ↓</p> <p>Serie 69,0 Totalt 0,0</p>	 <p>1: 9,5 ← 2: 9,5 ← 3: 10,3* ↓ 4: 9,6 ↗ 5: 10,2* ↖ 6: 10,2* ↗ 7: 10,4* → 8: 10,3* ↓ 9: 10,4* ← 10: 9,4 →</p> <p>Serie 96,0 Totalt 96,0</p>
---	--	--

<p>60 shot</p> 	<p>60 shot</p> <p>11: 10,1 ← 12: 10,7* ↓ 13: 9,7 ↗ 14: 10,8* → 15: 9,8 ↗ 16: 10,5* → 17: 10,3* ↗ 18: 10,5* ↗ 19: 10,0 ↓ 20: 10,4* ↓</p> <p>Serie 98,0 Totalt 194,0</p>	 <p>21: 10,4* ↓ 22: 9,1 ↗ 23: 10,2* ↓ 24: 9,9 ↗ 25: 10,3* ↗ 26: 10,1 ↓ 27: 10,4* ↗ 28: 10,5* ← 29: 10,4* ↗ 30: 10,9* ↓</p> <p>Serie 98,0 Totalt 292,0</p>
--	--	--

<p>60 shot</p> 	<p>31: 10,1 ↗ 32: 10,7* ↖ 33: 10,6* ↓ 34: 10,3* ↗ 35: 9,6 → 36: 10,3* → 37: 9,4 → 38: 10,6* ↗ 39: 10,4* ↗ 40: 10,0 ↓</p> <p>Serie 98,0 Totalt 390,0</p>	
---	---	--

Sight		Sight	
	1: 8,1 ← 2: 8,1 ← 3: 9,6 ↓ 4: 9,8 ← 5: 8,4 ← 6: 7,6 ← 7: 9,2 ↓ 8: 10,2* ↑ 9: 10,2* ↓ 10: 10,4* ↓		11: 8,9 → 12: 9,1 ↓ 13: 8,8 ↓ 14: 10,6* ↓ 15: 10,0 ↓ 16: 10,1 ↓ 17: 10,2* ↓ 18: 9,9 ↘ 19: 9,8 ↓ 20: 10,4* ↓
Serie	88,0	Serie	93,0
Totalt	0,0	Totalt	0,0

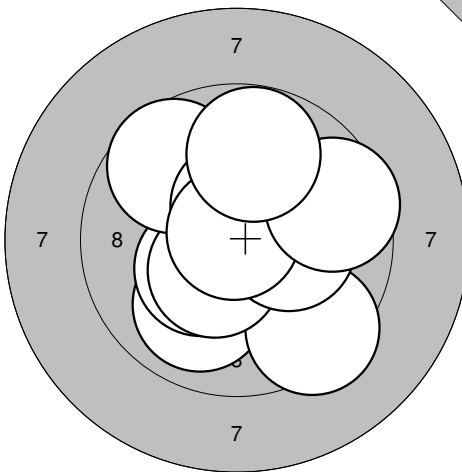
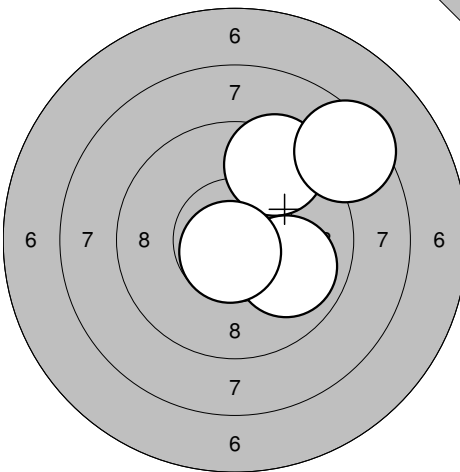
60 shot		60 shot	
	1: 8,8 ↓ 2: 10,0 ↓ 3: 9,6 ↓ 4: 8,8 ↓ 5: 9,6 ↓ 6: 9,7 ← 7: 9,9 ↓ 8: 10,1 ↓ 9: 10,6* ↑ 10: 9,8 ↑		11: 9,3 ↓ 12: 10,0 ← 13: 9,9 ↓ 14: 9,9 ← 15: 10,4* ↓ 16: 8,6 ↓ 17: 9,3 ↓ 18: 8,3 ← 19: 10,1 ↓ 20: 10,3* ↓
Serie	91,0	Serie	92,0
Totalt	91,0	Totalt	183,0

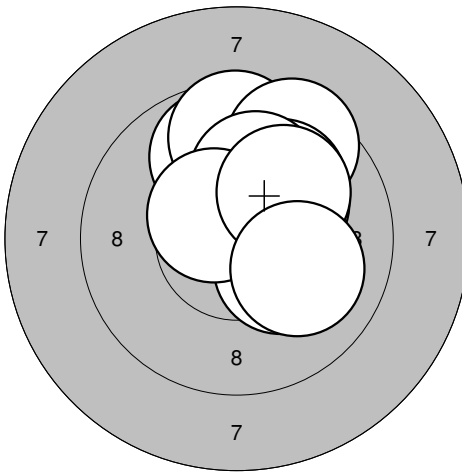
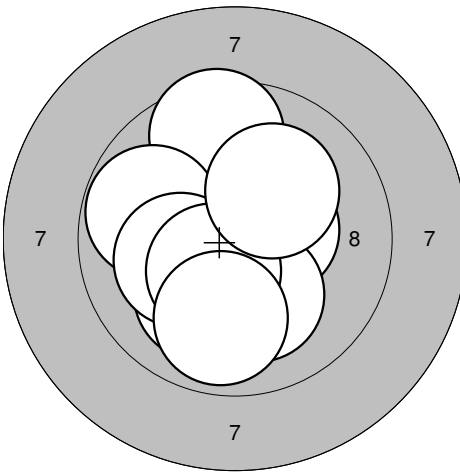
60 shot		60 shot	
	21: 10,0 ↓ 22: 9,3 → 23: 10,3* → 24: 10,3* ↓ 25: 10,5* → 26: 9,4 ↑ 27: 10,0 ↓ 28: 8,7 ↓ 29: 10,0 ↓ 30: 9,1 ←		31: 9,8 ← 32: 10,5* → 33: 9,4 ↓ 34: 10,3* ↓ 35: 10,5* ↑ 36: 9,3 ↓ 37: 10,8* ↑ 38: 9,3 ↘ 39: 9,6 ↓ 40: 9,7 →
Serie	95,0	Serie	94,0
Totalt	278,0	Totalt	372,0

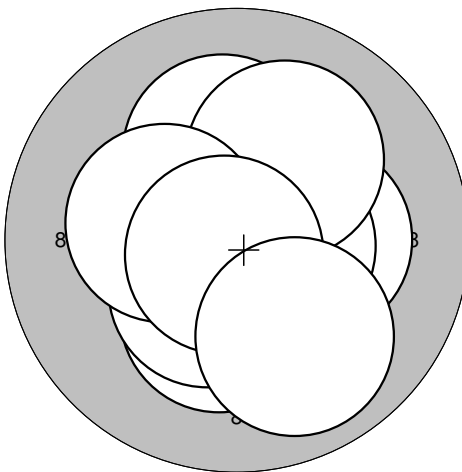
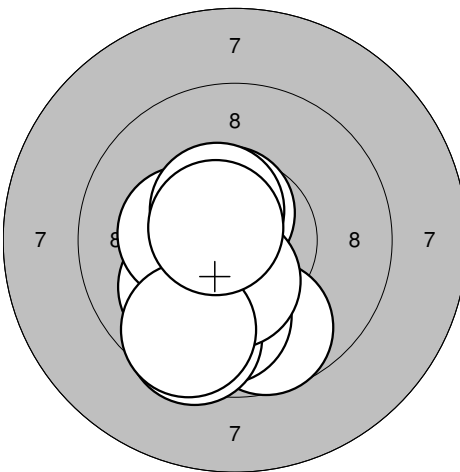
<p>Sight</p>	<p>1: 10,7* →</p> <p>2: 10,1 ↗</p> <p>3: 10,0 ↗</p> <p>4: 10,0 ↗</p> <p>5: 10,8* ↓</p> <p>6: 9,5 ↗</p> <p>7: 10,5* ↓</p> <p>8: 9,9 ↓</p> <p>9: 10,6* →</p> <p>10: 10,6* ↗</p> <table border="1" style="width:100%; border-collapse: collapse;"> <tr> <td style="text-align: right;">Serie</td> <td style="text-align: right;">98,0</td> </tr> <tr> <td style="text-align: right;">Totalt</td> <td style="text-align: right;">0,0</td> </tr> </table>	Serie	98,0	Totalt	0,0	<p>Sight</p>	<p>11: 10,7* ↗</p> <p>12: 10,6* ↗</p> <p>13: 10,0 ↗</p> <p>14: 10,5* ↖</p> <p>15: 10,2* ↗</p> <table border="1" style="width:100%; border-collapse: collapse;"> <tr> <td style="text-align: right;">Serie</td> <td style="text-align: right;">50,0</td> </tr> <tr> <td style="text-align: right;">Totalt</td> <td style="text-align: right;">0,0</td> </tr> </table>	Serie	50,0	Totalt	0,0
Serie	98,0										
Totalt	0,0										
Serie	50,0										
Totalt	0,0										

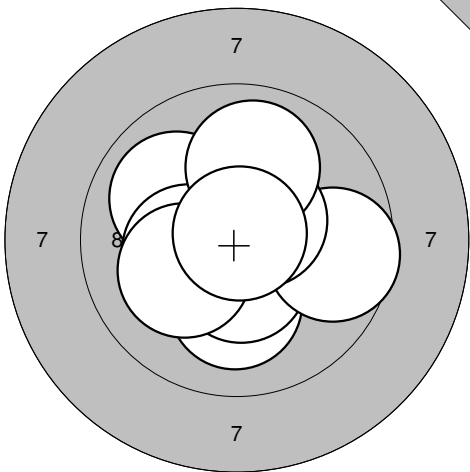
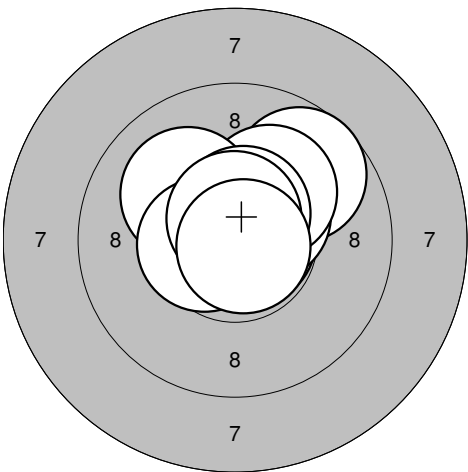
<p>60 shot</p>	<p>1: 10,6* ↓</p> <p>2: 10,1 ↗</p> <p>3: 10,8* ↓</p> <p>4: 10,6* ↗</p> <p>5: 10,4* ↖</p> <p>6: 10,7* ↓</p> <p>7: 10,2* ↗</p> <p>8: 10,4* ↗</p> <p>9: 10,7* ↗</p> <p>10: 10,8* ↓</p> <table border="1" style="width:100%; border-collapse: collapse;"> <tr> <td style="text-align: right;">Serie</td> <td style="text-align: right;">100,0</td> </tr> <tr> <td style="text-align: right;">Totalt</td> <td style="text-align: right;">100,0</td> </tr> </table>	Serie	100,0	Totalt	100,0	<p>60 shot</p>	<p>11: 10,3* →</p> <p>12: 10,5* ↗</p> <p>13: 10,5* ↗</p> <p>14: 10,0 →</p> <p>15: 10,4* ↗</p> <p>16: 10,7* ↗</p> <p>17: 10,4* →</p> <p>18: 10,0 ↖</p> <p>19: 10,9* →</p> <p>20: 10,6* ↗</p> <table border="1" style="width:100%; border-collapse: collapse;"> <tr> <td style="text-align: right;">Serie</td> <td style="text-align: right;">100,0</td> </tr> <tr> <td style="text-align: right;">Totalt</td> <td style="text-align: right;">200,0</td> </tr> </table>	Serie	100,0	Totalt	200,0
Serie	100,0										
Totalt	100,0										
Serie	100,0										
Totalt	200,0										

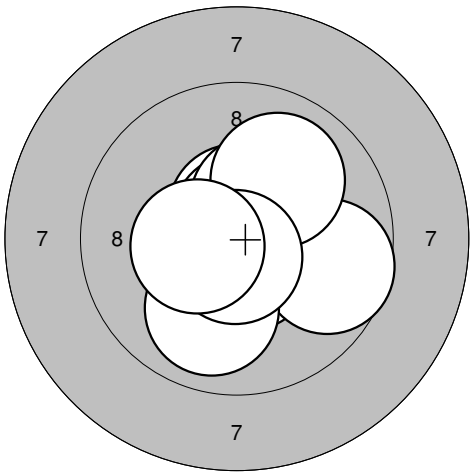
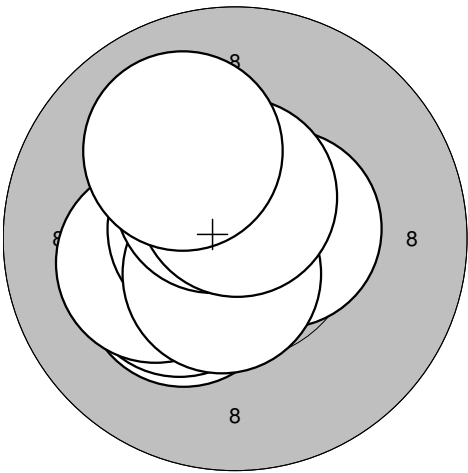
<p>60 shot</p>	<p>21: 10,5* ↖</p> <p>22: 10,7* →</p> <p>23: 10,5* ↗</p> <p>24: 10,6* ↗</p> <p>25: 10,8* ↗</p> <p>26: 10,0 ↗</p> <p>27: 9,9 ↗</p> <p>28: 10,2* ↗</p> <p>29: 10,4* ↗</p> <p>30: 9,9 ↗</p> <table border="1" style="width:100%; border-collapse: collapse;"> <tr> <td style="text-align: right;">Serie</td> <td style="text-align: right;">98,0</td> </tr> <tr> <td style="text-align: right;">Totalt</td> <td style="text-align: right;">298,0</td> </tr> </table>	Serie	98,0	Totalt	298,0	<p>60 shot</p>	<p>31: 10,6* ↗</p> <p>32: 10,7* ↗</p> <p>33: 10,7* →</p> <p>34: 10,5* ↗</p> <p>35: 10,4* ↖</p> <p>36: 10,0 ↗</p> <p>37: 10,8* ↓</p> <p>38: 10,4* →</p> <p>39: 10,3* ↖</p> <p>40: 10,4* ↖</p> <table border="1" style="width:100%; border-collapse: collapse;"> <tr> <td style="text-align: right;">Serie</td> <td style="text-align: right;">100,0</td> </tr> <tr> <td style="text-align: right;">Totalt</td> <td style="text-align: right;">398,0</td> </tr> </table>	Serie	100,0	Totalt	398,0
Serie	98,0										
Totalt	298,0										
Serie	100,0										
Totalt	398,0										

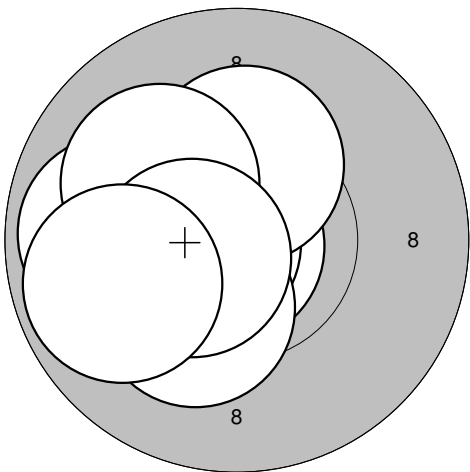
<p>Sight</p> 	<p>1: 10,0 ↙                  2: 9,4 ↘                  3: 10,3* ↙                  4: 10,5* ↙                  5: 10,2* →                  6: 9,7 ↗                  7: 10,5* ↑                  8: 10,8* ↑                  9: 9,6 →                  10: 9,8 ↑</p> <table border="1" style="width:100%; border-collapse: collapse;"> <tr><td style="text-align: right;">Serie</td><td style="text-align: right;">96,0</td></tr> <tr><td style="text-align: right;">Totalt</td><td style="text-align: right;">0,0</td></tr> </table>	Serie	96,0	Totalt	0,0	<p>Sight</p> 	<p>11: 9,5 ↗                  12: 9,9 ↘                  13: 8,5 ↗                  14: 10,7* ↘</p> <table border="1" style="width:100%; border-collapse: collapse;"> <tr><td style="text-align: right;">Serie</td><td style="text-align: right;">36,0</td></tr> <tr><td style="text-align: right;">Totalt</td><td style="text-align: right;">0,0</td></tr> </table>	Serie	36,0	Totalt	0,0
Serie	96,0										
Totalt	0,0										
Serie	36,0										
Totalt	0,0										

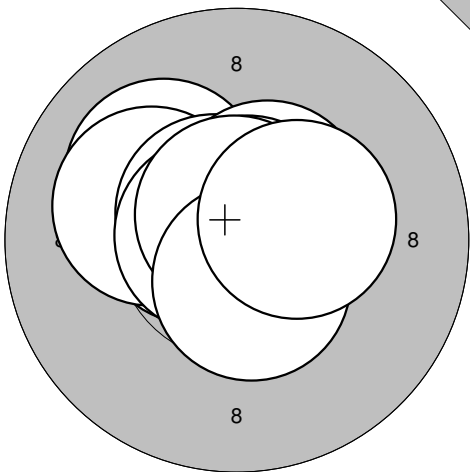
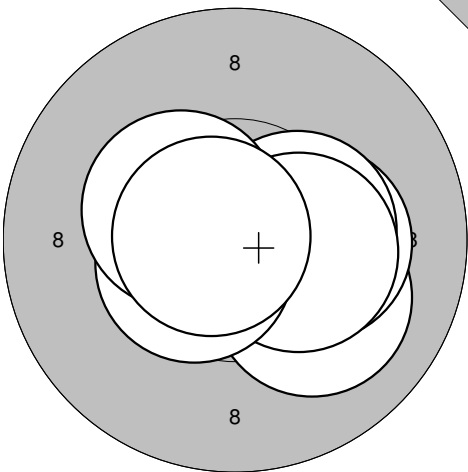
<p>60 shot</p> 	<p>1: 9,8 ↑                  2: 10,2* ↗                  3: 9,6 ↑                  4: 9,5 ↗                  5: 10,0 ↗                  6: 10,1 ↑                  7: 10,2* ↘                  8: 10,5* ↗                  9: 10,1 ↗                  10: 10,0 ↘</p> <table border="1" style="width:100%; border-collapse: collapse;"> <tr><td style="text-align: right;">Serie</td><td style="text-align: right;">97,0</td></tr> <tr><td style="text-align: right;">Totalt</td><td style="text-align: right;">97,0</td></tr> </table>	Serie	97,0	Totalt	97,0	<p>60 shot</p> 	<p>11: 10,4* →                  12: 10,4* ↖                  13: 9,6 ↑                  14: 10,1 ↘                  15: 9,8 ↖                  16: 10,1 ↘                  17: 10,2* ↖                  18: 10,4* ↘                  19: 10,1 ↗                  20: 9,9 ↘</p> <table border="1" style="width:100%; border-collapse: collapse;"> <tr><td style="text-align: right;">Serie</td><td style="text-align: right;">97,0</td></tr> <tr><td style="text-align: right;">Totalt</td><td style="text-align: right;">194,0</td></tr> </table>	Serie	97,0	Totalt	194,0
Serie	97,0										
Totalt	97,0										
Serie	97,0										
Totalt	194,0										

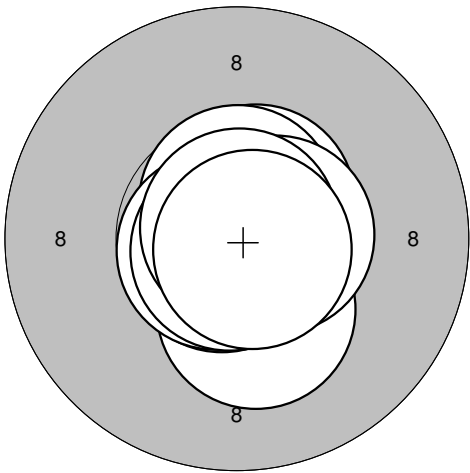
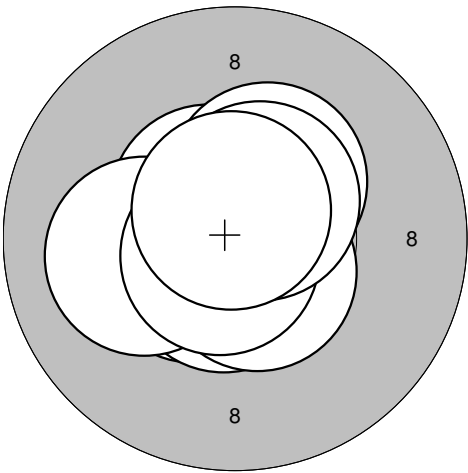
<p>60 shot</p> 	<p>21: 10,3* →                  22: 10,5* ↘                  23: 10,2* ↑                  24: 10,6* →                  25: 10,3* ↘                  26: 10,4* ↘                  27: 10,1 ↗                  28: 10,3* ↖                  29: 10,8* ↘                  30: 9,9 ↘</p> <table border="1" style="width:100%; border-collapse: collapse;"> <tr><td style="text-align: right;">Serie</td><td style="text-align: right;">99,0</td></tr> <tr><td style="text-align: right;">Totalt</td><td style="text-align: right;">293,0</td></tr> </table>	Serie	99,0	Totalt	293,0	<p>60 shot</p> 	<p>31: 10,0 ↖                  32: 9,7 ↘                  33: 9,9 ↘                  34: 10,3* ↖                  35: 9,5 ↘                  36: 10,6* ↑                  37: 10,4* ↘                  38: 10,5* ↗                  39: 9,6 ↘                  40: 10,7* ↖</p> <table border="1" style="width:100%; border-collapse: collapse;"> <tr><td style="text-align: right;">Serie</td><td style="text-align: right;">96,0</td></tr> <tr><td style="text-align: right;">Totalt</td><td style="text-align: right;">389,0</td></tr> </table>	Serie	96,0	Totalt	389,0
Serie	99,0										
Totalt	293,0										
Serie	96,0										
Totalt	389,0										

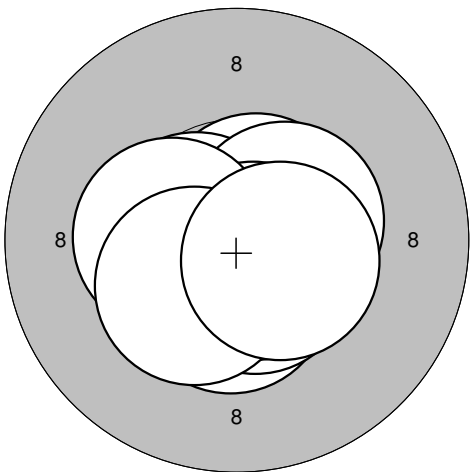
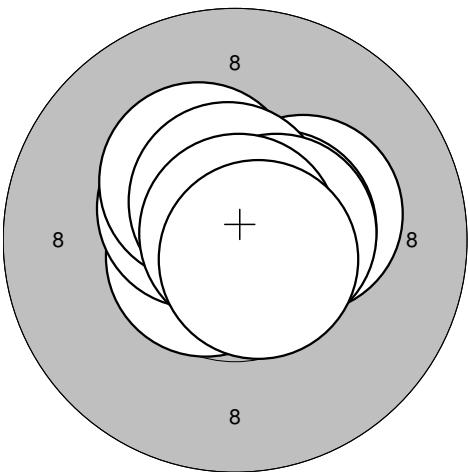
<p>Sight</p> 	<p>60 shot</p> <table style="width:100%; border-collapse: collapse;"> <tr><td>1: 10,3*</td><td>↙</td></tr> <tr><td>2: 10,1</td><td>↓</td></tr> <tr><td>3: 10,5*</td><td>↓</td></tr> <tr><td>4: 10,0</td><td>↖</td></tr> <tr><td>5: 10,3*</td><td>←</td></tr> <tr><td>6: 10,1</td><td>←</td></tr> <tr><td>7: 9,6</td><td>→</td></tr> <tr><td>8: 10,5*</td><td>↗</td></tr> <tr><td>9: 10,0</td><td>↑</td></tr> <tr><td>10: 10,9*</td><td>↗</td></tr> <tr><td colspan="2"><hr/></td></tr> <tr><td>Serie</td><td style="text-align: right;">99,0</td></tr> <tr><td colspan="2"><hr/></td></tr> <tr><td>Totalt</td><td style="text-align: right;">0,0</td></tr> </table>	1: 10,3*	↙	2: 10,1	↓	3: 10,5*	↓	4: 10,0	↖	5: 10,3*	←	6: 10,1	←	7: 9,6	→	8: 10,5*	↗	9: 10,0	↑	10: 10,9*	↗	<hr/>		Serie	99,0	<hr/>		Totalt	0,0	 <table style="width:100%; border-collapse: collapse;"> <tr><td>1: 10,8*</td><td>→</td></tr> <tr><td>2: 9,7</td><td>↗</td></tr> <tr><td>3: 10,4*</td><td>↗</td></tr> <tr><td>4: 10,7*</td><td>↖</td></tr> <tr><td>5: 10,2*</td><td>↗</td></tr> <tr><td>6: 10,1</td><td>↖</td></tr> <tr><td>7: 10,5*</td><td>←</td></tr> <tr><td>8: 10,6*</td><td>↑</td></tr> <tr><td>9: 10,7*</td><td>↑</td></tr> <tr><td>10: 10,8*</td><td>↘</td></tr> <tr><td colspan="2"><hr/></td></tr> <tr><td>Serie</td><td style="text-align: right;">99,0</td></tr> <tr><td colspan="2"><hr/></td></tr> <tr><td>Totalt</td><td style="text-align: right;">99,0</td></tr> </table>	1: 10,8*	→	2: 9,7	↗	3: 10,4*	↗	4: 10,7*	↖	5: 10,2*	↗	6: 10,1	↖	7: 10,5*	←	8: 10,6*	↑	9: 10,7*	↑	10: 10,8*	↘	<hr/>		Serie	99,0	<hr/>		Totalt	99,0
1: 10,3*	↙																																																									
2: 10,1	↓																																																									
3: 10,5*	↓																																																									
4: 10,0	↖																																																									
5: 10,3*	←																																																									
6: 10,1	←																																																									
7: 9,6	→																																																									
8: 10,5*	↗																																																									
9: 10,0	↑																																																									
10: 10,9*	↗																																																									
<hr/>																																																										
Serie	99,0																																																									
<hr/>																																																										
Totalt	0,0																																																									
1: 10,8*	→																																																									
2: 9,7	↗																																																									
3: 10,4*	↗																																																									
4: 10,7*	↖																																																									
5: 10,2*	↗																																																									
6: 10,1	↖																																																									
7: 10,5*	←																																																									
8: 10,6*	↑																																																									
9: 10,7*	↑																																																									
10: 10,8*	↘																																																									
<hr/>																																																										
Serie	99,0																																																									
<hr/>																																																										
Totalt	99,0																																																									

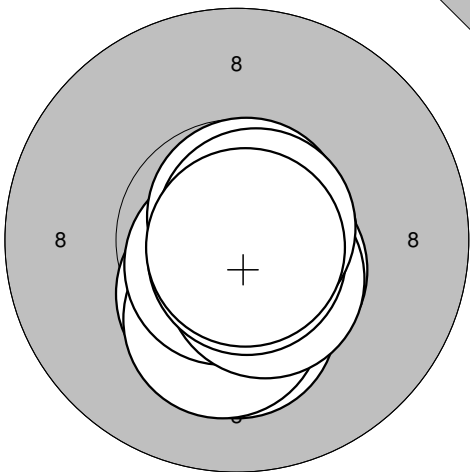
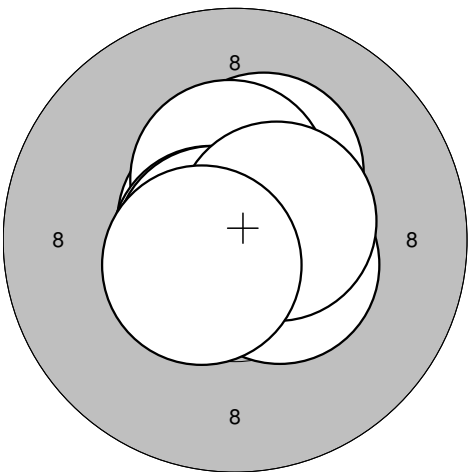
<p>60 shot</p> 	<p>60 shot</p> <table style="width:100%; border-collapse: collapse;"> <tr><td>11: 10,6*</td><td>↑</td></tr> <tr><td>12: 10,8*</td><td>←</td></tr> <tr><td>13: 10,6*</td><td>↓</td></tr> <tr><td>14: 10,7*</td><td>↑</td></tr> <tr><td>15: 10,4*</td><td>↗</td></tr> <tr><td>16: 9,7</td><td>→</td></tr> <tr><td>17: 10,0</td><td>↓</td></tr> <tr><td>18: 10,0</td><td>↗</td></tr> <tr><td>19: 10,7*</td><td>↓</td></tr> <tr><td>20: 10,4*</td><td>←</td></tr> <tr><td colspan="2"><hr/></td></tr> <tr><td>Serie</td><td style="text-align: right;">99,0</td></tr> <tr><td colspan="2"><hr/></td></tr> <tr><td>Totalt</td><td style="text-align: right;">198,0</td></tr> </table>	11: 10,6*	↑	12: 10,8*	←	13: 10,6*	↓	14: 10,7*	↑	15: 10,4*	↗	16: 9,7	→	17: 10,0	↓	18: 10,0	↗	19: 10,7*	↓	20: 10,4*	←	<hr/>		Serie	99,0	<hr/>		Totalt	198,0	 <table style="width:100%; border-collapse: collapse;"> <tr><td>21: 10,8*</td><td>→</td></tr> <tr><td>22: 10,3*</td><td>↙</td></tr> <tr><td>23: 10,3*</td><td>↙</td></tr> <tr><td>24: 10,5*</td><td>→</td></tr> <tr><td>25: 10,2*</td><td>←</td></tr> <tr><td>26: 10,7*</td><td>←</td></tr> <tr><td>27: 10,6*</td><td>↓</td></tr> <tr><td>28: 10,5*</td><td>↗</td></tr> <tr><td>29: 10,6*</td><td>↑</td></tr> <tr><td>30: 10,0</td><td>↖</td></tr> <tr><td colspan="2"><hr/></td></tr> <tr><td>Serie</td><td style="text-align: right;">100,0</td></tr> <tr><td colspan="2"><hr/></td></tr> <tr><td>Totalt</td><td style="text-align: right;">298,0</td></tr> </table>	21: 10,8*	→	22: 10,3*	↙	23: 10,3*	↙	24: 10,5*	→	25: 10,2*	←	26: 10,7*	←	27: 10,6*	↓	28: 10,5*	↗	29: 10,6*	↑	30: 10,0	↖	<hr/>		Serie	100,0	<hr/>		Totalt	298,0
11: 10,6*	↑																																																									
12: 10,8*	←																																																									
13: 10,6*	↓																																																									
14: 10,7*	↑																																																									
15: 10,4*	↗																																																									
16: 9,7	→																																																									
17: 10,0	↓																																																									
18: 10,0	↗																																																									
19: 10,7*	↓																																																									
20: 10,4*	←																																																									
<hr/>																																																										
Serie	99,0																																																									
<hr/>																																																										
Totalt	198,0																																																									
21: 10,8*	→																																																									
22: 10,3*	↙																																																									
23: 10,3*	↙																																																									
24: 10,5*	→																																																									
25: 10,2*	←																																																									
26: 10,7*	←																																																									
27: 10,6*	↓																																																									
28: 10,5*	↗																																																									
29: 10,6*	↑																																																									
30: 10,0	↖																																																									
<hr/>																																																										
Serie	100,0																																																									
<hr/>																																																										
Totalt	298,0																																																									

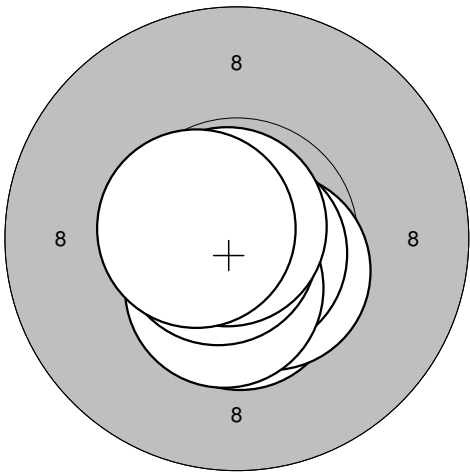
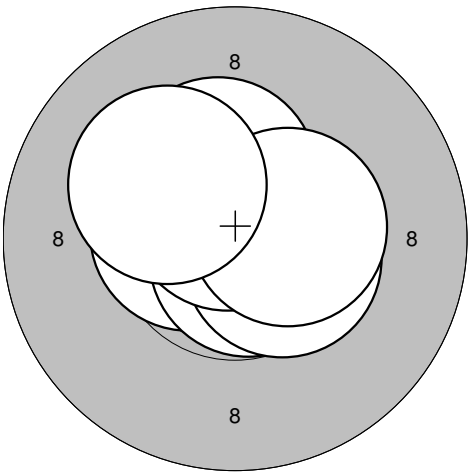
<p>60 shot</p> 	<table style="width:100%; border-collapse: collapse;"> <tr><td>31: 10,4*</td><td>←</td></tr> <tr><td>32: 9,9</td><td>←</td></tr> <tr><td>33: 10,7*</td><td>←</td></tr> <tr><td>34: 10,8*</td><td>←</td></tr> <tr><td>35: 10,6*</td><td>←</td></tr> <tr><td>36: 10,3*</td><td>↑</td></tr> <tr><td>37: 10,2*</td><td>↓</td></tr> <tr><td>38: 10,1</td><td>↖</td></tr> <tr><td>39: 10,5*</td><td>←</td></tr> <tr><td>40: 9,8</td><td>←</td></tr> <tr><td colspan="2"><hr/></td></tr> <tr><td>Serie</td><td style="text-align: right;">98,0</td></tr> <tr><td colspan="2"><hr/></td></tr> <tr><td>Totalt</td><td style="text-align: right;">396,0</td></tr> </table>	31: 10,4*	←	32: 9,9	←	33: 10,7*	←	34: 10,8*	←	35: 10,6*	←	36: 10,3*	↑	37: 10,2*	↓	38: 10,1	↖	39: 10,5*	←	40: 9,8	←	<hr/>		Serie	98,0	<hr/>		Totalt	396,0	
31: 10,4*	←																													
32: 9,9	←																													
33: 10,7*	←																													
34: 10,8*	←																													
35: 10,6*	←																													
36: 10,3*	↑																													
37: 10,2*	↓																													
38: 10,1	↖																													
39: 10,5*	←																													
40: 9,8	←																													
<hr/>																														
Serie	98,0																													
<hr/>																														
Totalt	396,0																													

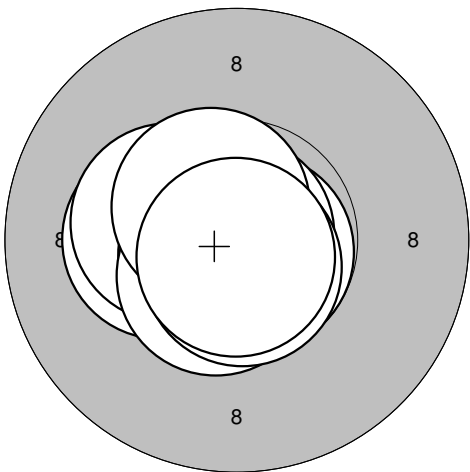
<p>Sight</p> 	<p>1: 10,1 ↗ 2: 10,5* ← 3: 10,1 ↗ 4: 10,6* ↗ 5: 10,5* ↗ 6: 10,7* ↗ 7: 10,7* ← 8: 10,7* ↑ 9: 10,5* ↓ 10: 10,4* →</p> <table border="1" style="width:100%; border-collapse: collapse;"> <tr><td>Serie</td><td style="text-align: right;">100,0</td></tr> <tr><td>Totalt</td><td style="text-align: right;">0,0</td></tr> </table>	Serie	100,0	Totalt	0,0	<p>Sight</p> 	<p>11: 10,1 ↘ 12: 10,2* → 13: 10,4* → 14: 10,4* → 15: 10,5* ← 16: 10,4* ↖ 17: 10,7* ←</p> <table border="1" style="width:100%; border-collapse: collapse;"> <tr><td>Serie</td><td style="text-align: right;">70,0</td></tr> <tr><td>Totalt</td><td style="text-align: right;">0,0</td></tr> </table>	Serie	70,0	Totalt	0,0
Serie	100,0										
Totalt	0,0										
Serie	70,0										
Totalt	0,0										

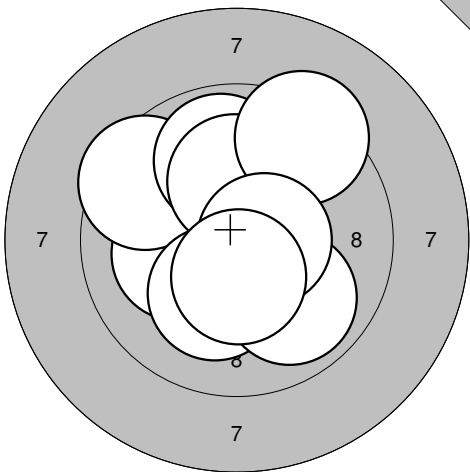
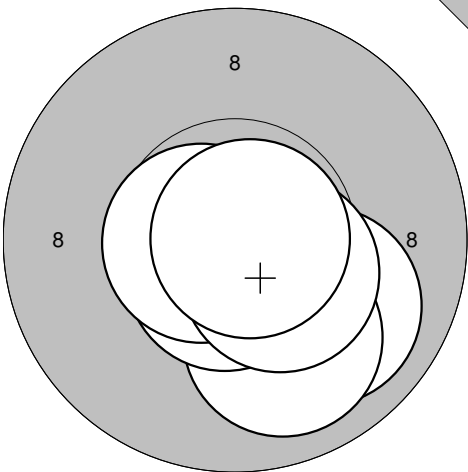
<p>60 shot</p> 	<p>1: 10,6* ↗ 2: 10,3* ↓ 3: 10,8* ↙ 4: 10,8* → 5: 10,6* ↑ 6: 10,7* ← 7: 10,6* → 8: 10,8* ↓ 9: 10,9* ↑ 10: 10,8* ↘</p> <table border="1" style="width:100%; border-collapse: collapse;"> <tr><td>Serie</td><td style="text-align: right;">100,0</td></tr> <tr><td>Totalt</td><td style="text-align: right;">100,0</td></tr> </table>	Serie	100,0	Totalt	100,0	<p>60 shot</p> 	<p>11: 10,6* ↖ 12: 10,5* ↙ 13: 10,4* ↗ 14: 10,6* ↓ 15: 10,6* ↓ 16: 10,9* ↑ 17: 10,1 ← 18: 10,7* ↙ 19: 10,5* ↗ 20: 10,7* ↑</p> <table border="1" style="width:100%; border-collapse: collapse;"> <tr><td>Serie</td><td style="text-align: right;">100,0</td></tr> <tr><td>Totalt</td><td style="text-align: right;">200,0</td></tr> </table>	Serie	100,0	Totalt	200,0
Serie	100,0										
Totalt	100,0										
Serie	100,0										
Totalt	200,0										

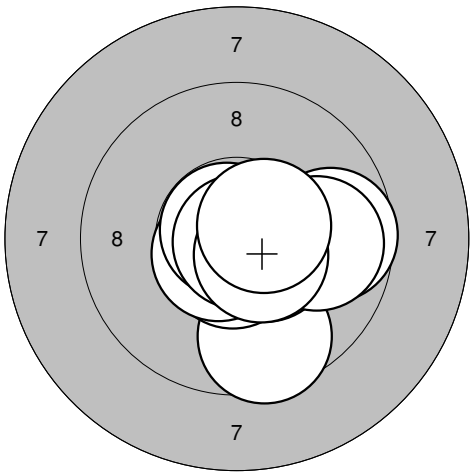
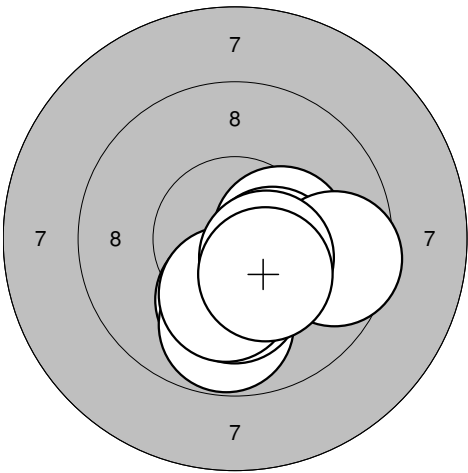
<p>60 shot</p> 	<p>21: 10,8* ↓ 22: 10,5* ↓ 23: 10,6* ↗ 24: 10,6* ← 25: 10,5* → 26: 10,6* ↓ 27: 10,7* ↓ 28: 10,4* ← 29: 10,4* ↙ 30: 10,5* →</p> <table border="1" style="width:100%; border-collapse: collapse;"> <tr><td>Serie</td><td style="text-align: right;">100,0</td></tr> <tr><td>Totalt</td><td style="text-align: right;">300,0</td></tr> </table>	Serie	100,0	Totalt	300,0	<p>60 shot</p> 	<p>31: 10,7* ↖ 32: 10,6* ↙ 33: 10,3* → 34: 10,6* → 35: 10,5* ↖ 36: 10,3* ↗ 37: 10,6* ↑ 38: 10,6* → 39: 10,9* ↗ 40: 10,7* ↘</p> <table border="1" style="width:100%; border-collapse: collapse;"> <tr><td>Serie</td><td style="text-align: right;">100,0</td></tr> <tr><td>Totalt</td><td style="text-align: right;">400,0</td></tr> </table>	Serie	100,0	Totalt	400,0
Serie	100,0										
Totalt	300,0										
Serie	100,0										
Totalt	400,0										

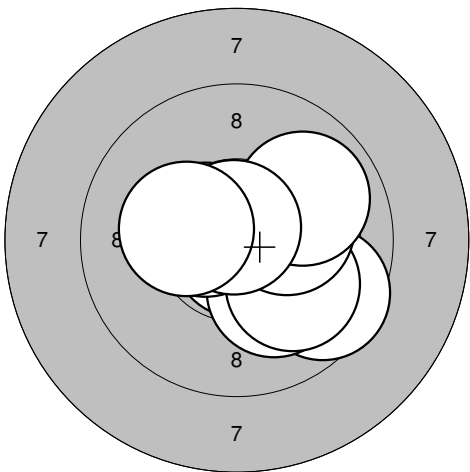
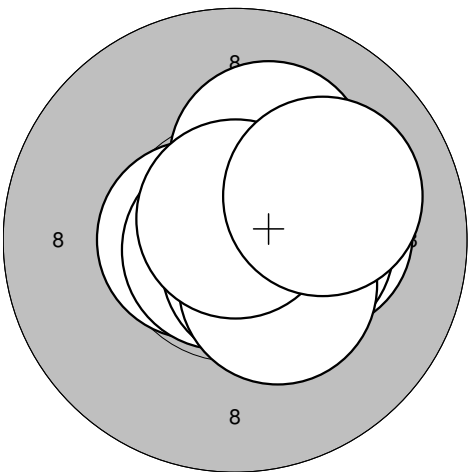
<p>Sight</p> 	<p>60 shot</p> <table style="width:100%; border-collapse: collapse;"> <tr><td>1: 10,4*</td><td>↘</td></tr> <tr><td>2: 10,2*</td><td>↘</td></tr> <tr><td>3: 10,2*</td><td>↘</td></tr> <tr><td>4: 10,7*</td><td>↘</td></tr> <tr><td>5: 10,6*</td><td>↘</td></tr> <tr><td>6: 10,7*</td><td>↗</td></tr> <tr><td>7: 10,5*</td><td>↘</td></tr> <tr><td>8: 10,8*</td><td>↘</td></tr> <tr><td>9: 10,7*</td><td>↗</td></tr> <tr><td>10: 10,8*</td><td>↘</td></tr> <tr><td colspan="2" style="border-top: 1px solid black;">Serie 100,0</td></tr> <tr><td colspan="2" style="border-top: 1px solid black;">Totalt 0,0</td></tr> </table>	1: 10,4*	↘	2: 10,2*	↘	3: 10,2*	↘	4: 10,7*	↘	5: 10,6*	↘	6: 10,7*	↗	7: 10,5*	↘	8: 10,8*	↘	9: 10,7*	↗	10: 10,8*	↘	Serie 100,0		Totalt 0,0		 <table style="width:100%; border-collapse: collapse;"> <tr><td>1: 10,7*</td><td>→</td></tr> <tr><td>2: 10,7*</td><td>↖</td></tr> <tr><td>3: 10,6*</td><td>→</td></tr> <tr><td>4: 10,5*</td><td>↘</td></tr> <tr><td>5: 10,3*</td><td>↗</td></tr> <tr><td>6: 10,4*</td><td>↑</td></tr> <tr><td>7: 10,7*</td><td>←</td></tr> <tr><td>8: 10,8*</td><td>←</td></tr> <tr><td>9: 10,5*</td><td>→</td></tr> <tr><td>10: 10,6*</td><td>↙</td></tr> <tr><td colspan="2" style="border-top: 1px solid black;">Serie 100,0</td></tr> <tr><td colspan="2" style="border-top: 1px solid black;">Totalt 100,0</td></tr> </table>	1: 10,7*	→	2: 10,7*	↖	3: 10,6*	→	4: 10,5*	↘	5: 10,3*	↗	6: 10,4*	↑	7: 10,7*	←	8: 10,8*	←	9: 10,5*	→	10: 10,6*	↙	Serie 100,0		Totalt 100,0	
1: 10,4*	↘																																																	
2: 10,2*	↘																																																	
3: 10,2*	↘																																																	
4: 10,7*	↘																																																	
5: 10,6*	↘																																																	
6: 10,7*	↗																																																	
7: 10,5*	↘																																																	
8: 10,8*	↘																																																	
9: 10,7*	↗																																																	
10: 10,8*	↘																																																	
Serie 100,0																																																		
Totalt 0,0																																																		
1: 10,7*	→																																																	
2: 10,7*	↖																																																	
3: 10,6*	→																																																	
4: 10,5*	↘																																																	
5: 10,3*	↗																																																	
6: 10,4*	↑																																																	
7: 10,7*	←																																																	
8: 10,8*	←																																																	
9: 10,5*	→																																																	
10: 10,6*	↙																																																	
Serie 100,0																																																		
Totalt 100,0																																																		

<p>60 shot</p> 	<p>60 shot</p> <table style="width:100%; border-collapse: collapse;"> <tr><td>11: 10,7*</td><td>←</td></tr> <tr><td>12: 10,7*</td><td>↘</td></tr> <tr><td>13: 10,5*</td><td>↘</td></tr> <tr><td>14: 10,5*</td><td>↘</td></tr> <tr><td>15: 10,8*</td><td>↘</td></tr> <tr><td>16: 10,8*</td><td>←</td></tr> <tr><td>17: 10,5*</td><td>↘</td></tr> <tr><td>18: 10,8*</td><td>←</td></tr> <tr><td>19: 10,8*</td><td>↗</td></tr> <tr><td>20: 10,6*</td><td>←</td></tr> <tr><td colspan="2" style="border-top: 1px solid black;">Serie 100,0</td></tr> <tr><td colspan="2" style="border-top: 1px solid black;">Totalt 200,0</td></tr> </table>	11: 10,7*	←	12: 10,7*	↘	13: 10,5*	↘	14: 10,5*	↘	15: 10,8*	↘	16: 10,8*	←	17: 10,5*	↘	18: 10,8*	←	19: 10,8*	↗	20: 10,6*	←	Serie 100,0		Totalt 200,0		 <table style="width:100%; border-collapse: collapse;"> <tr><td>21: 10,9*</td><td>↘</td></tr> <tr><td>22: 10,8*</td><td>↘</td></tr> <tr><td>23: 10,7*</td><td>↗</td></tr> <tr><td>24: 10,5*</td><td>←</td></tr> <tr><td>25: 10,7*</td><td>↘</td></tr> <tr><td>26: 10,5*</td><td>↘</td></tr> <tr><td>27: 10,7*</td><td>↗</td></tr> <tr><td>28: 10,4*</td><td>↑</td></tr> <tr><td>29: 10,5*</td><td>→</td></tr> <tr><td>30: 10,2*</td><td>↖</td></tr> <tr><td colspan="2" style="border-top: 1px solid black;">Serie 100,0</td></tr> <tr><td colspan="2" style="border-top: 1px solid black;">Totalt 300,0</td></tr> </table>	21: 10,9*	↘	22: 10,8*	↘	23: 10,7*	↗	24: 10,5*	←	25: 10,7*	↘	26: 10,5*	↘	27: 10,7*	↗	28: 10,4*	↑	29: 10,5*	→	30: 10,2*	↖	Serie 100,0		Totalt 300,0	
11: 10,7*	←																																																	
12: 10,7*	↘																																																	
13: 10,5*	↘																																																	
14: 10,5*	↘																																																	
15: 10,8*	↘																																																	
16: 10,8*	←																																																	
17: 10,5*	↘																																																	
18: 10,8*	←																																																	
19: 10,8*	↗																																																	
20: 10,6*	←																																																	
Serie 100,0																																																		
Totalt 200,0																																																		
21: 10,9*	↘																																																	
22: 10,8*	↘																																																	
23: 10,7*	↗																																																	
24: 10,5*	←																																																	
25: 10,7*	↘																																																	
26: 10,5*	↘																																																	
27: 10,7*	↗																																																	
28: 10,4*	↑																																																	
29: 10,5*	→																																																	
30: 10,2*	↖																																																	
Serie 100,0																																																		
Totalt 300,0																																																		

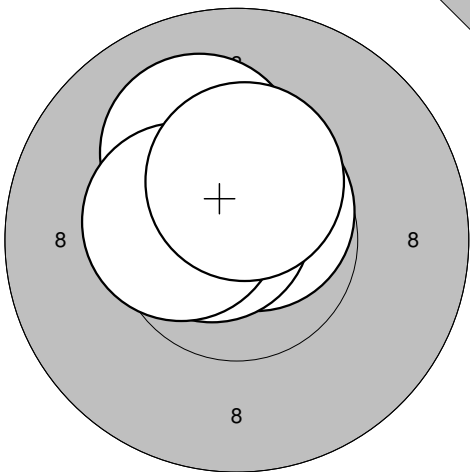
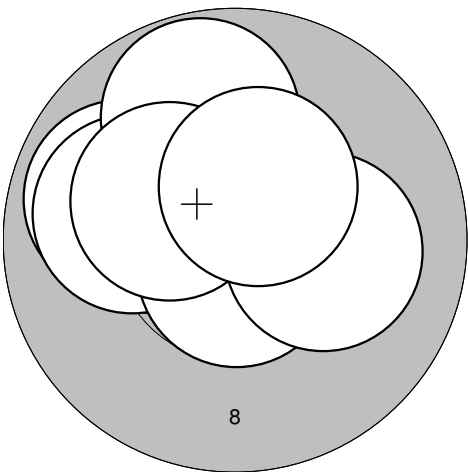
<p>60 shot</p> 	<table style="width:100%; border-collapse: collapse;"> <tr><td>31: 10,7*</td><td>↘</td></tr> <tr><td>32: 10,5*</td><td>←</td></tr> <tr><td>33: 10,9*</td><td>↗</td></tr> <tr><td>34: 10,3*</td><td>←</td></tr> <tr><td>35: 10,3*</td><td>↖</td></tr> <tr><td>36: 10,7*</td><td>↖</td></tr> <tr><td>37: 10,6*</td><td>↘</td></tr> <tr><td>38: 10,7*</td><td>↘</td></tr> <tr><td>39: 10,6*</td><td>↗</td></tr> <tr><td>40: 10,8*</td><td>↘</td></tr> <tr><td colspan="2" style="border-top: 1px solid black;">Serie 100,0</td></tr> <tr><td colspan="2" style="border-top: 1px solid black;">Totalt 400,0</td></tr> </table>	31: 10,7*	↘	32: 10,5*	←	33: 10,9*	↗	34: 10,3*	←	35: 10,3*	↖	36: 10,7*	↖	37: 10,6*	↘	38: 10,7*	↘	39: 10,6*	↗	40: 10,8*	↘	Serie 100,0		Totalt 400,0		
31: 10,7*	↘																									
32: 10,5*	←																									
33: 10,9*	↗																									
34: 10,3*	←																									
35: 10,3*	↖																									
36: 10,7*	↖																									
37: 10,6*	↘																									
38: 10,7*	↘																									
39: 10,6*	↗																									
40: 10,8*	↘																									
Serie 100,0																										
Totalt 400,0																										

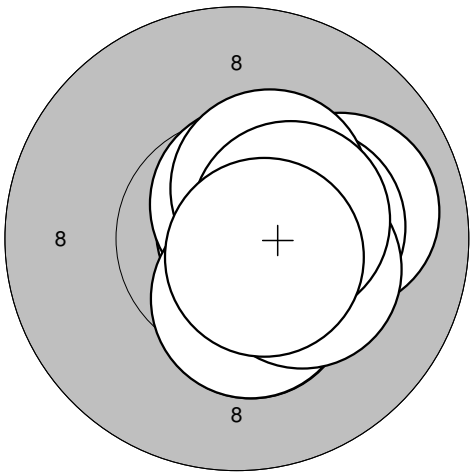
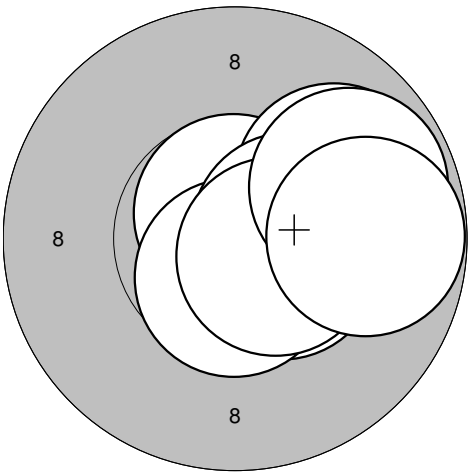
<p>Sight</p> 	<p>Sight</p> 	
<p>1: 10,4* ↙                  2: 10,2* ←                  3: 9,5 ↗                  4: 9,9 ↑                  5: 10,2* ↑                  6: 9,3 ↗                  7: 10,2* ↓                  8: 9,9 ↓                  9: 10,6* →                  10: 10,5* ↓</p>	<p>11: 10,0 ↘                  12: 10,0 ↓                  13: 10,7* ↓                  14: 10,6* ←                  15: 10,4* ↘                  16: 10,8* →</p>	
Serie 96,0	Serie 60,0	
Totalt 0,0	Totalt 0,0	

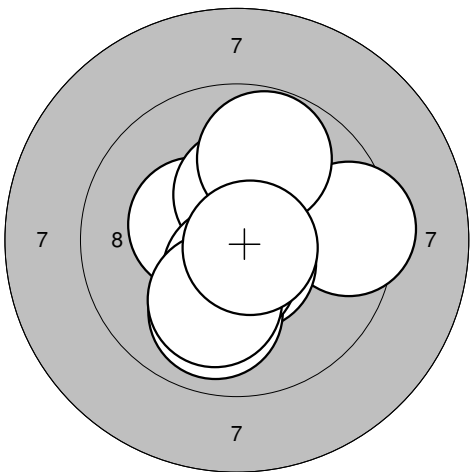
<p>60 shot</p> 	<p>60 shot</p> 	
<p>1: 9,7 →                  2: 9,6 ↓                  3: 10,6* ↓                  4: 10,6* ←                  5: 10,5* ↘                  6: 9,9 →                  7: 10,8* ↗                  8: 10,9* ↓                  9: 10,6* ↓                  10: 10,5* →</p>	<p>11: 10,1 →                  12: 10,3* →                  13: 10,1 ↓                  14: 10,4* →                  15: 9,6 →                  16: 9,8 ↓                  17: 10,2* ↓                  18: 10,2* ↓                  19: 10,5* ↘                  20: 10,3* ↓</p>	
Serie 97,0	Serie 98,0	
Totalt 97,0	Totalt 195,0	

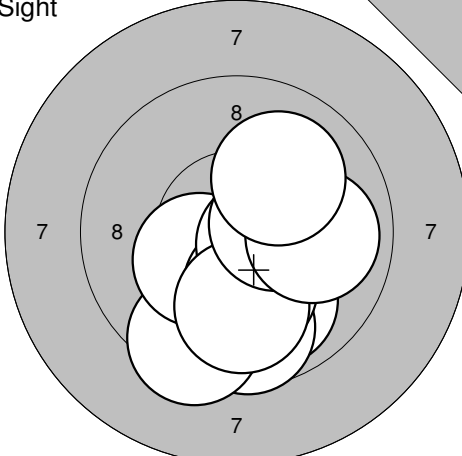
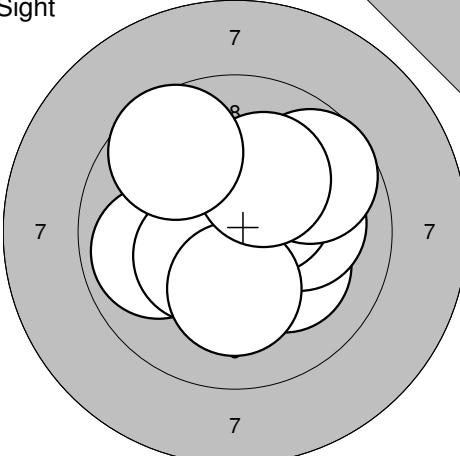
<p>60 shot</p> 	<p>60 shot</p> 	
<p>21: 9,6 ↘                  22: 10,8* →                  23: 10,8* ↓                  24: 10,1 ↓                  25: 10,0 ↓                  26: 10,3* →                  27: 10,5* ←                  28: 9,9 ↗                  29: 10,8* ↑                  30: 10,3* ←</p>	<p>31: 10,2* →                  32: 10,6* ←                  33: 10,2* ↗                  34: 10,8* ←                  35: 10,6* ↘                  36: 10,4* →                  37: 10,2* ↗                  38: 10,4* ↓                  39: 10,8* ↑                  40: 10,1 ↗</p>	
Serie 98,0	Serie 100,0	
Totalt 293,0	Totalt 393,0	

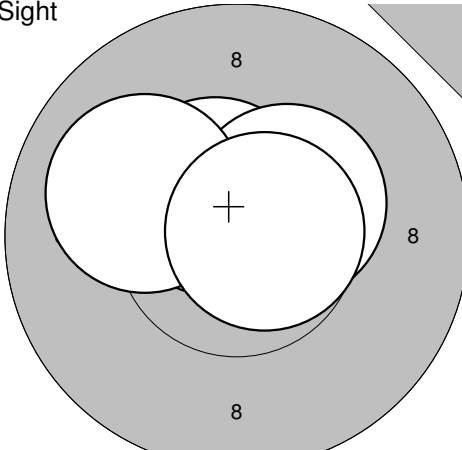
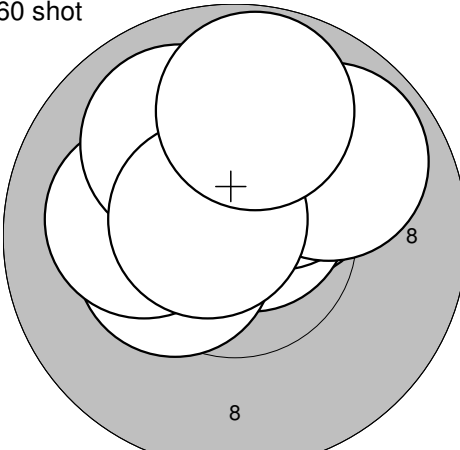


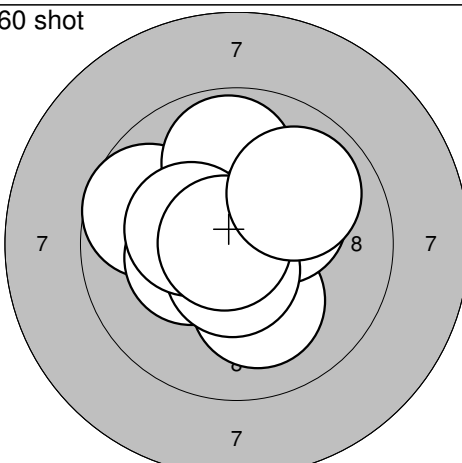
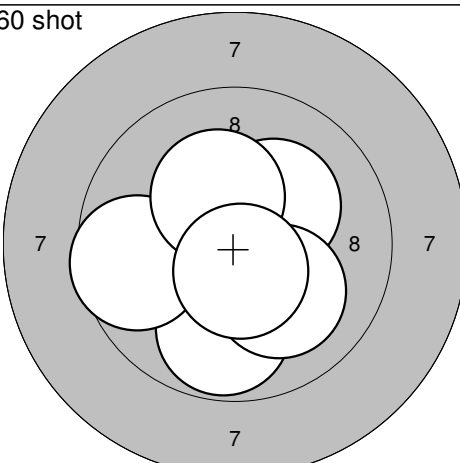
<p>Sight</p> 	<p>60 shot</p> <p>1: 10,6* ↗ 2: 10,7* ↗ 3: 10,1 ↗ 4: 10,4* ↖ 5: 10,4* ↗</p> <p>Serie 50,0 Totalt 0,0</p>	 <p>60 shot</p> <p>1: 10,2* ↖ 2: 10,2* ↗ 3: 9,9 ↖ 4: 10,0 ↖ 5: 10,3* ↗ 6: 10,7* ↓ 7: 9,8 ↗ 8: 10,3* ↖ 9: 10,1 → 10: 10,4* ↗</p> <p>Serie 98,0 Totalt 98,0</p>
---	--	---

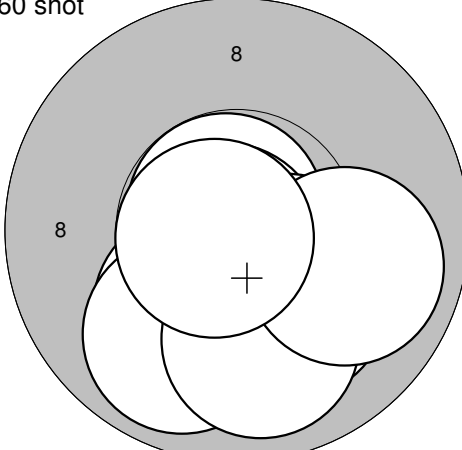
<p>60 shot</p> 	<p>60 shot</p> <p>11: 10,0 → 12: 10,3* → 13: 10,4* ↓ 14: 10,8* → 15: 10,6* ↗ 16: 10,4* ↓ 17: 10,4* ↗ 18: 10,3* → 19: 10,4* → 20: 10,6* ↓</p> <p>Serie 100,0 Totalt 198,0</p>	 <p>60 shot</p> <p>21: 10,5* ↘ 22: 10,1 → 23: 10,8* → 24: 10,7* ↗ 25: 9,9 ↗ 26: 10,6* ↓ 27: 10,4* → 28: 10,5* ↘ 29: 9,8 ↗ 30: 9,8 →</p> <p>Serie 97,0 Totalt 295,0</p>
--	--	---

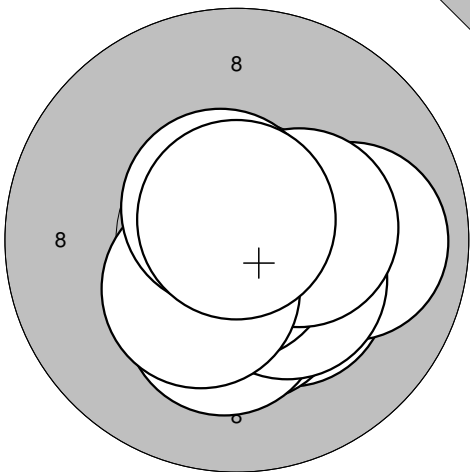
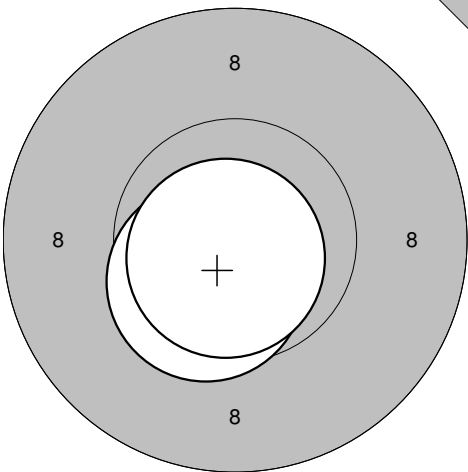
<p>60 shot</p> 	<p>31: 9,4 → 32: 10,6* ↓ 33: 10,9* ↗ 34: 10,4* ↖ 35: 10,3* ↗ 36: 9,8 ↗ 37: 9,9 ↓ 38: 10,5* ↓ 39: 10,1 ↓ 40: 10,7* ↘</p> <p>Serie 97,0 Totalt 392,0</p>	
---	--	--

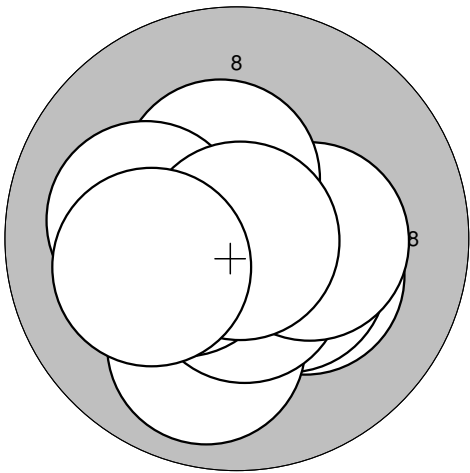
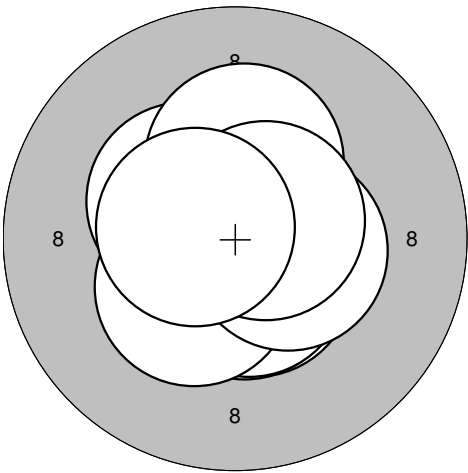
<p>Sight</p> 	<p>1: 9,9 ↘                  2: 9,7 ↓                  3: 9,4 ↓                  4: 10,3* ↙                  5: 10,2* ↓                  6: 10,6* ↘                  7: 10,0 ↓                  8: 10,4* →                  9: 9,9 →                  10: 10,0 ↗</p> <p>Serie 96,0 Totalt 0,0</p>	<p>Sight</p> 	<p>11: 10,2* ↘                  12: 10,5* ↓                  13: 10,1 →                  14: 9,9 ←                  15: 10,4* ↗                  16: 9,7 ↗                  17: 10,4* ↙                  18: 10,2* ↓                  19: 10,2* ↗                  20: 9,6 ↖</p> <p>Serie 97,0 Totalt 0,0</p>
---	---	---	---

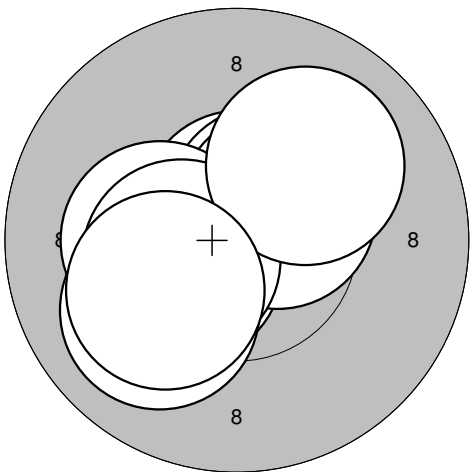
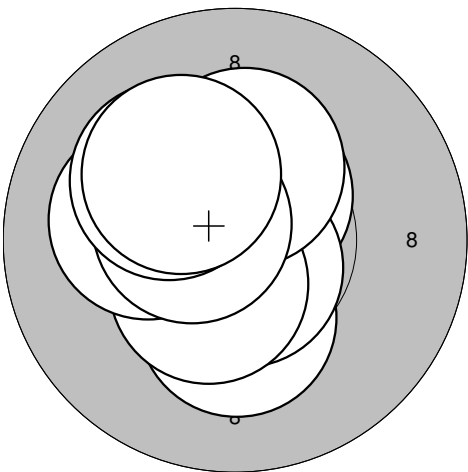
<p>Sight</p> 	<p>21: 10,5* ↗                  22: 10,4* ↗                  23: 10,0 ↖                  24: 10,7* →</p> <p>Serie 40,0 Totalt 0,0</p>	<p>60 shot</p> 	<p>1: 10,3* ↖                  2: 10,3* ↗                  3: 10,7* ↗                  4: 10,2* ↗                  5: 10,4* ←                  6: 10,1 ←                  7: 9,9 ↗                  8: 10,0 ↗                  9: 10,7* ↖                  10: 9,8 ↑</p> <p>Serie 98,0 Totalt 98,0</p>
--	---	--	--

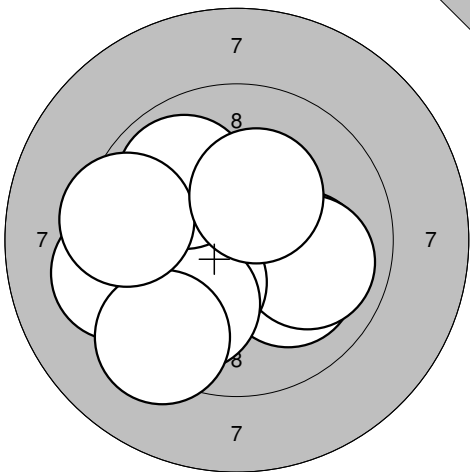
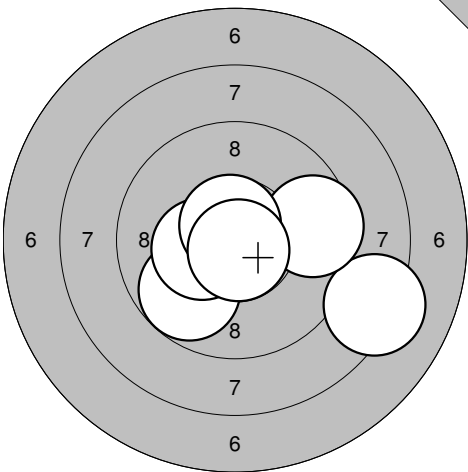
<p>60 shot</p> 	<p>11: 9,7 ←                  12: 10,4* ↑                  13: 9,9 ↑                  14: 10,3* ←                  15: 10,1 ↓                  16: 10,3* ↗                  17: 10,6* ↓                  18: 10,3* ↖                  19: 10,8* ←                  20: 9,9 ↗</p> <p>Serie 97,0 Totalt 195,0</p>	<p>60 shot</p> 	<p>21: 10,8* ←                  22: 10,6* ↗                  23: 10,8* ↑                  24: 10,8* →                  25: 10,2* ↗                  26: 9,8 ↓                  27: 9,6 ←                  28: 10,3* ↗                  29: 10,1 ↓                  30: 10,6* ↓</p> <p>Serie 98,0 Totalt 293,0</p>
---	---	---	---

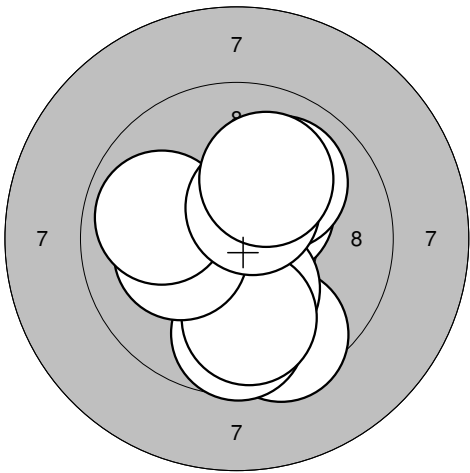
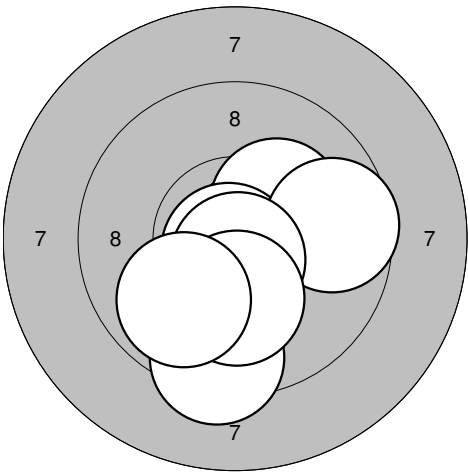
<p>60 shot</p> 	<p>31: 10,8* ↗                  32: 10,1 ↓                  33: 10,6* ↓                  34: 9,9 ↓                  35: 10,8* ↖                  36: 10,4* ↓                  37: 10,2* ↓                  38: 9,9 ↓                  39: 9,9 →                  40: 10,7* ←</p> <p>Serie 97,0 Totalt 390,0</p>	
---	---	--

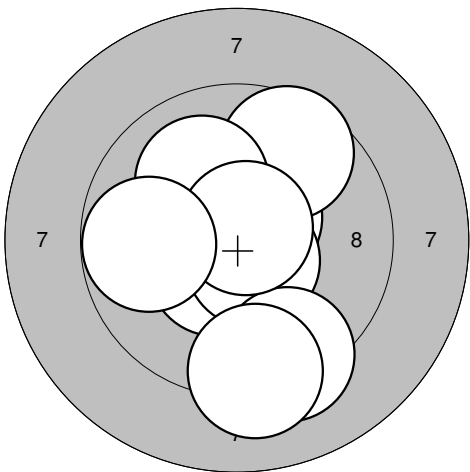
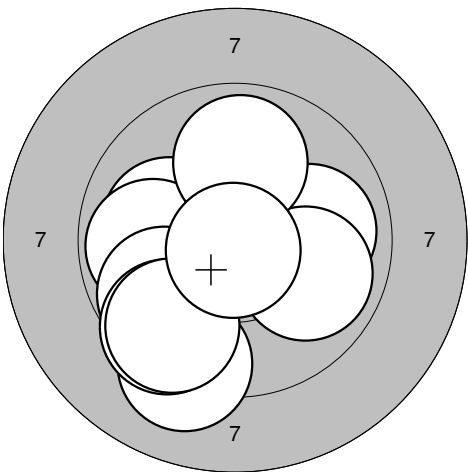
<p>Sight</p> 	<p>1: 10,3* ↘                  2: 10,4* ↓                  3: 9,9 →                  4: 10,3* ↓                  5: 10,4* ↘                  6: 10,8* ↓                  7: 10,4* →                  8: 10,4* ↙                  9: 10,6* ↗                  10: 10,8* ↑</p> <table border="1" style="width:100%; border-collapse: collapse;"> <tr><td style="text-align: right;">Serie</td><td style="text-align: right;">99,0</td></tr> <tr><td style="text-align: right;">Totalt</td><td style="text-align: right;">0,0</td></tr> </table>	Serie	99,0	Totalt	0,0	<p>Sight</p> 	<p>11: 10,5* ↘                  12: 10,8* ↘</p> <table border="1" style="width:100%; border-collapse: collapse;"> <tr><td style="text-align: right;">Serie</td><td style="text-align: right;">20,0</td></tr> <tr><td style="text-align: right;">Totalt</td><td style="text-align: right;">0,0</td></tr> </table>	Serie	20,0	Totalt	0,0
Serie	99,0										
Totalt	0,0										
Serie	20,0										
Totalt	0,0										

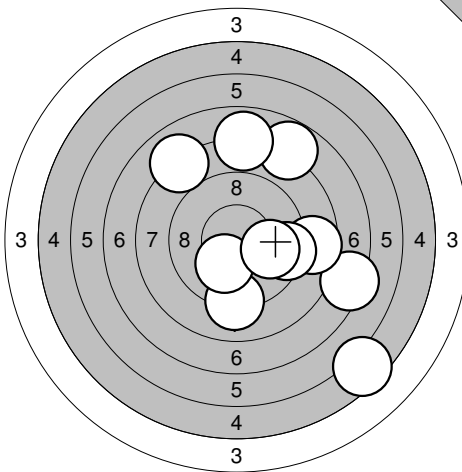
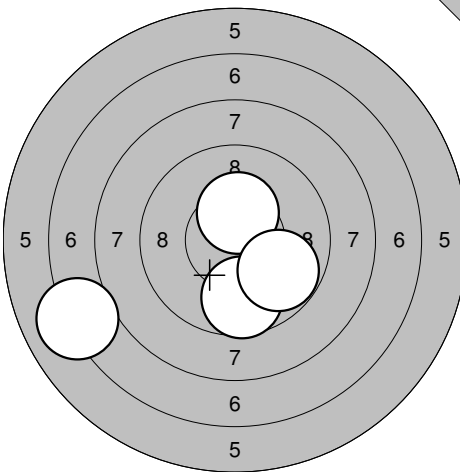
<p>60 shot</p> 	<p>1: 10,2* ↘                  2: 10,4* ↘                  3: 9,9 ↓                  4: 10,5* ↓                  5: 10,3* →                  6: 10,4* ←                  7: 10,4* ↗                  8: 10,1 ←                  9: 10,9* ↘                  10: 10,1 ←</p> <table border="1" style="width:100%; border-collapse: collapse;"> <tr><td style="text-align: right;">Serie</td><td style="text-align: right;">99,0</td></tr> <tr><td style="text-align: right;">Totalt</td><td style="text-align: right;">99,0</td></tr> </table>	Serie	99,0	Totalt	99,0	<p>60 shot</p> 	<p>11: 10,4* ↖                  12: 10,7* ↑                  13: 10,6* ↓                  14: 10,6* ↓                  15: 10,6* ↓                  16: 10,3* ↑                  17: 10,4* ↙                  18: 10,5* →                  19: 10,6* ↗                  20: 10,6* ←</p> <table border="1" style="width:100%; border-collapse: collapse;"> <tr><td style="text-align: right;">Serie</td><td style="text-align: right;">100,0</td></tr> <tr><td style="text-align: right;">Totalt</td><td style="text-align: right;">199,0</td></tr> </table>	Serie	100,0	Totalt	199,0
Serie	99,0										
Totalt	99,0										
Serie	100,0										
Totalt	199,0										

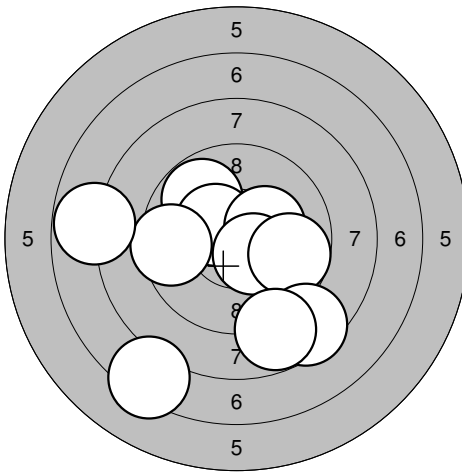
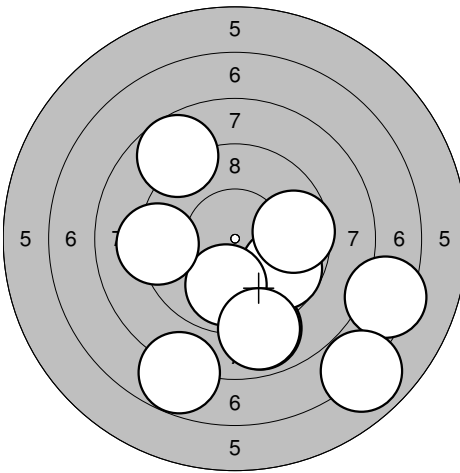
<p>60 shot</p> 	<p>21: 10,3* ←                  22: 10,7* ↑                  23: 10,4* ←                  24: 10,5* ↗                  25: 10,0 ↓                  26: 10,5* ↗                  27: 10,3* ←                  28: 10,4* ←                  29: 10,0 ↗                  30: 10,2* ↙</p> <table border="1" style="width:100%; border-collapse: collapse;"> <tr><td style="text-align: right;">Serie</td><td style="text-align: right;">100,0</td></tr> <tr><td style="text-align: right;">Totalt</td><td style="text-align: right;">299,0</td></tr> </table>	Serie	100,0	Totalt	299,0	<p>60 shot</p> 	<p>31: 10,6* ↖                  32: 10,2* ↓                  33: 10,5* ↗                  34: 10,7* ↓                  35: 10,5* ↓                  36: 10,1 ←                  37: 10,3* ↑                  38: 10,5* ←                  39: 10,2* ↗                  40: 10,2* ↗</p> <table border="1" style="width:100%; border-collapse: collapse;"> <tr><td style="text-align: right;">Serie</td><td style="text-align: right;">100,0</td></tr> <tr><td style="text-align: right;">Totalt</td><td style="text-align: right;">399,0</td></tr> </table>	Serie	100,0	Totalt	399,0
Serie	100,0										
Totalt	299,0										
Serie	100,0										
Totalt	399,0										

Sight		Sight	
	1: 10,1 → 2: 10,1 ↘ 3: 10,0 → 4: 9,3 ← 5: 10,2* ↘ 6: 9,9 ↘ 7: 9,3 ↘ 8: 9,9 ↗ 9: 9,5 ← 10: 10,3* ↗		11: 8,2 → 12: 9,8 ↘ 13: 9,6 → 14: 10,4* ← 15: 10,7* ↗ 16: 10,7* ↘
	Serie 95,0		Serie 56,0
	Totalt 0,0		Totalt 0,0

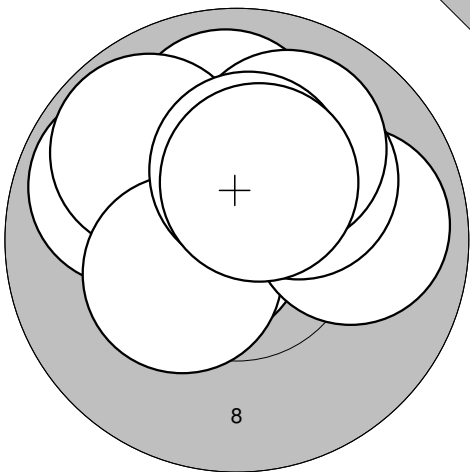
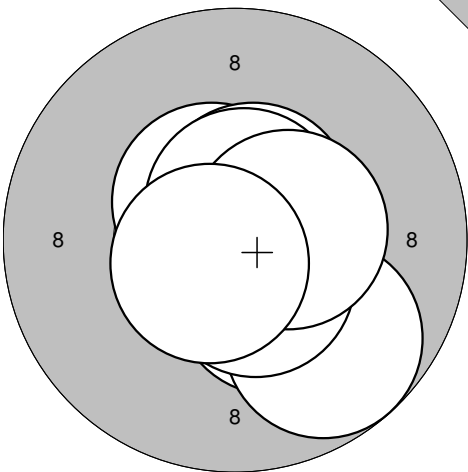
60 shot		60 shot	
	1: 9,5 ↘ 2: 10,4* ↗ 3: 9,7 ↘ 4: 10,2* ↘ 5: 9,9 ↘ 6: 10,2* ← 7: 10,0 ↗ 8: 9,9 ← 9: 10,5* ↗ 10: 10,1 ↗		11: 0,0 ↘ 12: 10,6* → 13: 10,2* ↗ 14: 10,8* ↘ 15: 0,0 ↘ 16: 9,3 ↘ 17: 9,6 → 18: 10,7* ↘ 19: 10,2* ↘ 20: 9,9 ↘
	Serie 96,0		Serie 77,0
	Totalt 96,0		Totalt 173,0

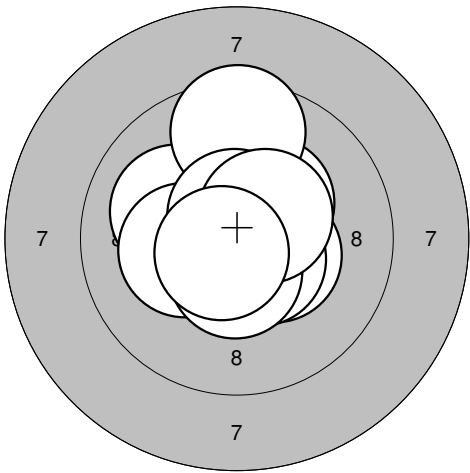
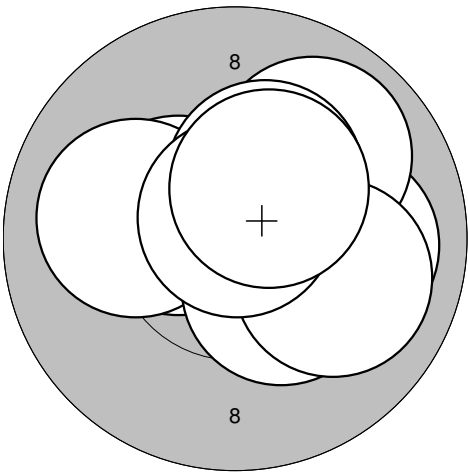
60 shot		60 shot	
	21: 10,6* ↗ 22: 9,6 ↗ 23: 10,7* ↗ 24: 10,5* ↘ 25: 10,6* ↘ 26: 10,1 ↗ 27: 9,3 ↘ 28: 10,7* ↗ 29: 9,2 ↘ 30: 9,8 ←		31: 10,0 → 32: 10,1 ← 33: 9,9 → 34: 9,9 ← 35: 9,9 ↑ 36: 9,8 ↘ 37: 9,2 ↘ 38: 9,5 ↘ 39: 9,5 ↘ 40: 10,8* ↘
	Serie 96,0		Serie 93,0
	Totalt 269,0		Totalt 362,0

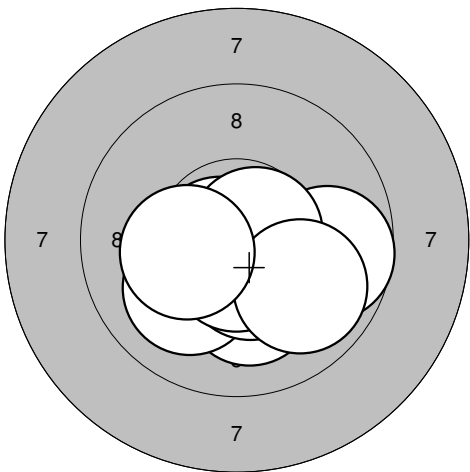
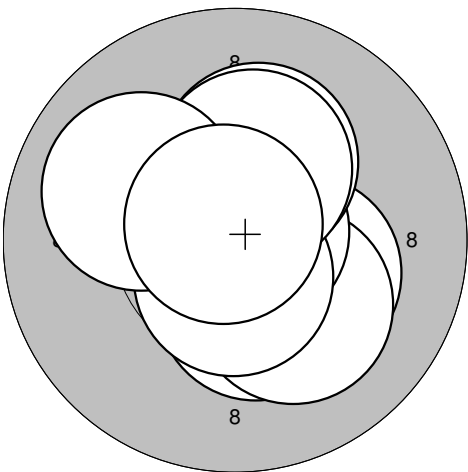
<p>Sight</p> 	<p>1: 8,0 ↖</p> <p>2: 7,8 ↗</p> <p>3: 7,9 ↑</p> <p>4: 9,1 ↓</p> <p>5: 10,1 ↓</p> <p>6: 7,3 →</p> <p>7: 8,6 →</p> <p>8: 9,4 →</p> <p>9: 9,9 →</p> <p>10: 5,5 ↓</p> <hr/> <p>Serie 79,0</p> <hr/> <p>Totalt 0,0</p>	<p>Sight</p> 	<p>11: 10,4* ↑</p> <p>12: 9,7 ↓</p> <p>13: 9,8 ↘</p> <p>14: 7,1 ↙</p> <hr/> <p>Serie 35,0</p> <hr/> <p>Totalt 0,0</p>
---	---	---	---

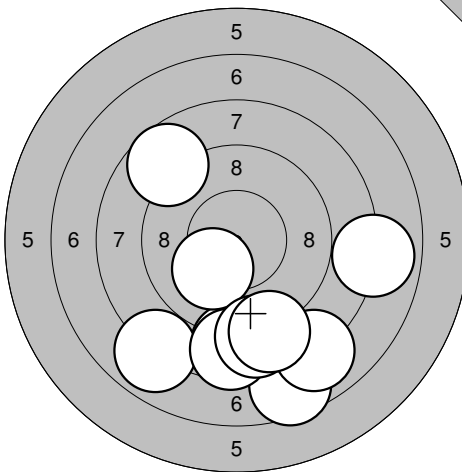
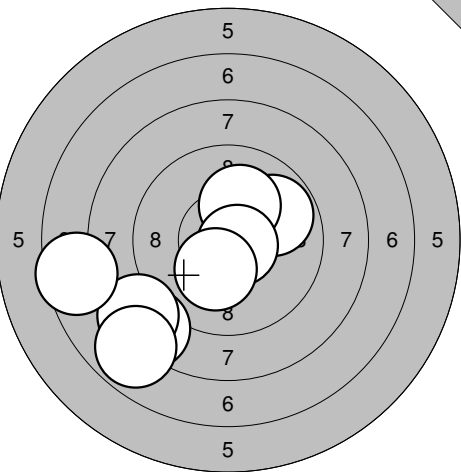
<p>60 shot</p> 	<p>1: 9,8 ↗</p> <p>2: 10,4* ↗</p> <p>3: 10,3* →</p> <p>4: 10,4* ↓</p> <p>5: 9,7 →</p> <p>6: 8,5 ↓</p> <p>7: 9,5 ←</p> <p>8: 7,3 ↓</p> <p>9: 7,8 ←</p> <p>10: 8,8 ↓</p> <hr/> <p>Serie 87,0</p> <hr/> <p>Totalt 87,0</p>	<p>60 shot</p> 	<p>11: 8,9 ↓</p> <p>12: 9,7 ↘</p> <p>13: 8,8 ↗</p> <p>14: 9,7 →</p> <p>15: 9,9 ↓</p> <p>16: 7,4 →</p> <p>17: 9,3 ←</p> <p>18: 7,8 ↓</p> <p>19: 8,9 ↓</p> <p>20: 6,9 ↓</p> <hr/> <p>Serie 80,0</p> <hr/> <p>Totalt 167,0</p>
--	---	--	---

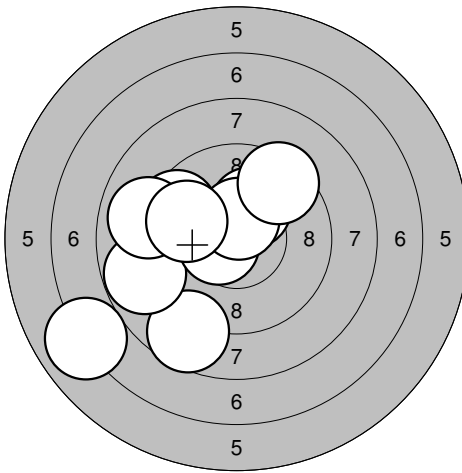
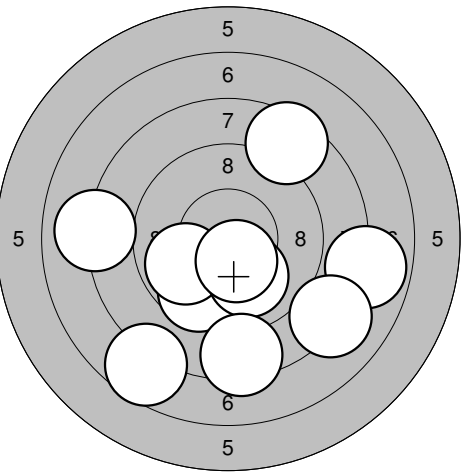
<p>60 shot</p> 	<p>21: 10,4* ↗</p> <p>22: 9,7 ↓</p> <p>23: 8,9 →</p> <p>24: 8,2 ↓</p> <p>25: 8,1 ↘</p> <p>26: 10,1 ↓</p> <p>27: 9,1 ↘</p> <p>28: 9,3 ↓</p> <p>29: 9,0 ↓</p> <p>30: 10,0 ↙</p> <hr/> <p>Serie 90,0</p> <hr/> <p>Totalt 257,0</p>	<p>60 shot</p> 	<p>31: 8,0 ↘</p> <p>32: 7,6 ↘</p> <p>33: 8,8 ↓</p> <p>34: 9,4 ↓</p> <p>35: 9,4 ↓</p> <p>36: 10,8* ←</p> <p>37: 9,4 →</p> <p>38: 10,0 ↗</p> <p>39: 8,1 ↙</p> <p>40: 7,2 ↗</p> <hr/> <p>Serie 85,0</p> <hr/> <p>Totalt 342,0</p>
---	---	---	--

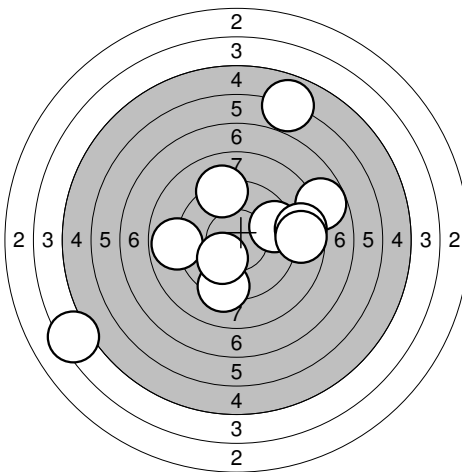
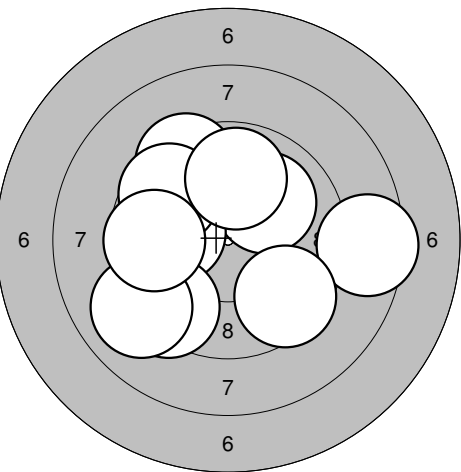
<p>Sight</p>  <p style="text-align: center;">8</p>	<p>1: 9,9    ↑</p> <p>2: 10,7*   ←</p> <p>3: 9,9    ↖</p> <p>4: 9,8    ↗</p> <p>5: 10,4*   ↙</p> <p>6: 9,9    →</p> <p>7: 10,2*   ↗</p> <p>8: 10,0    ↗</p> <p>9: 10,3*   ↑</p> <p>10: 10,4*   ↑</p> <hr/> <p>Serie      96,0</p> <hr/> <p>Totalt     0,0</p>	<p>Sight</p>  <p style="text-align: center;">8</p>	<p>11: 10,3*   ↘</p> <p>12: 10,6*   ↗</p> <p>13: 10,6*   ↗</p> <p>14: 9,8    ↘</p> <p>15: 10,6*   ↘</p> <p>16: 10,6*   ↑</p> <p>17: 10,5*   →</p> <p>18: 10,6*   ↙</p> <hr/> <p>Serie      79,0</p> <hr/> <p>Totalt     0,0</p>
--	---	--	---

<p>60 shot</p>  <p style="text-align: center;">7</p>	<p>1: 10,1    ↖</p> <p>2: 10,4*   ↗</p> <p>3: 10,5*   ↘</p> <p>4: 10,3*   ←</p> <p>5: 10,5*   ↓</p> <p>6: 10,3*   ↗</p> <p>7: 9,5    ↑</p> <p>8: 10,7*   ↑</p> <p>9: 10,5*   ↗</p> <p>10: 10,7*   ↙</p> <hr/> <p>Serie      99,0</p> <hr/> <p>Totalt     99,0</p>	<p>60 shot</p>  <p style="text-align: center;">8</p>	<p>11: 10,4*   ↖</p> <p>12: 10,0    ←</p> <p>13: 10,0    →</p> <p>14: 10,6*   ↗</p> <p>15: 9,9    ↗</p> <p>16: 10,3*   ↘</p> <p>17: 10,3*   ↗</p> <p>18: 10,0    ↗</p> <p>19: 10,8*   ↑</p> <p>20: 10,4*   ↗</p> <hr/> <p>Serie      99,0</p> <hr/> <p>Totalt     198,0</p>
---	---	---	---

<p>60 shot</p>  <p style="text-align: center;">7</p>	<p>21: 10,3*   ↘</p> <p>22: 10,2*   ↘</p> <p>23: 10,1    ↙</p> <p>24: 9,7    →</p> <p>25: 10,5*   ↘</p> <p>26: 10,7*   ←</p> <p>27: 10,6*   ↓</p> <p>28: 10,7*   →</p> <p>29: 9,9    ↘</p> <p>30: 10,3*   ←</p> <hr/> <p>Serie      98,0</p> <hr/> <p>Totalt     296,0</p>	<p>60 shot</p>  <p style="text-align: center;">8</p>	<p>31: 10,3*   ↗</p> <p>32: 10,4*   ↓</p> <p>33: 10,6*   ↑</p> <p>34: 10,2*   ↘</p> <p>35: 10,8*   ↗</p> <p>36: 10,2*   ↑</p> <p>37: 10,6*   ↓</p> <p>38: 10,3*   ↑</p> <p>39: 10,0    ↖</p> <p>40: 10,8*   ↗</p> <hr/> <p>Serie      100,0</p> <hr/> <p>Totalt     396,0</p>
--	--	--	---

<p>Sight</p> 	<p>1: 7,6 ↘ 2: 8,0 ↘ 3: 8,7 ↘ 4: 10,1 ↙ 5: 8,7 ↗ 6: 7,9 → 7: 7,9 ↘ 8: 8,5 ↘ 9: 8,8 ↘ 10: 8,8 ↘</p> <p>Serie 79,0 Totalt 0,0</p>	<p>Sight</p> 	<p>11: 9,8 → 12: 8,3 ↙ 13: 8,4 ↙ 14: 10,1 ↑ 15: 7,9 ↙ 16: 10,7* → 17: 10,2* ↘ 18: 7,5 ←</p> <p>Serie 69,0 Totalt 0,0</p>
---	---	---	--

<p>60 shot</p> 	<p>1: 8,6 ↘ 2: 10,2* ↑ 3: 8,8 ← 4: 7,0 ↙ 5: 10,5* ← 6: 9,5 ↙ 7: 9,0 ← 8: 10,5* ↑ 9: 9,4 ↗ 10: 9,8 ←</p> <p>Serie 89,0 Totalt 89,0</p>	<p>60 shot</p> 	<p>11: 9,6 ↘ 12: 9,9 ↙ 13: 10,0 ↘ 14: 8,5 ↗ 15: 8,0 ← 16: 7,7 ↘ 17: 7,9 → 18: 8,4 ↘ 19: 10,4* ↘ 20: 8,1 ↘</p> <p>Serie 84,0 Totalt 173,0</p>
--	---	--	--

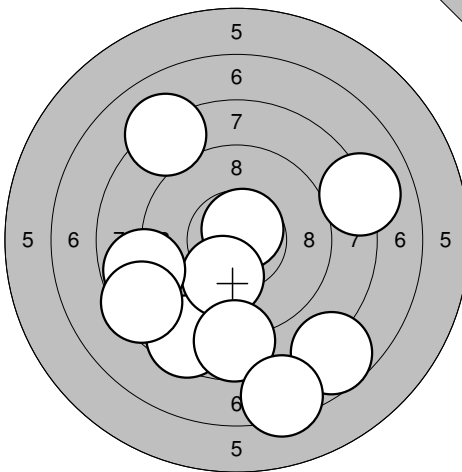
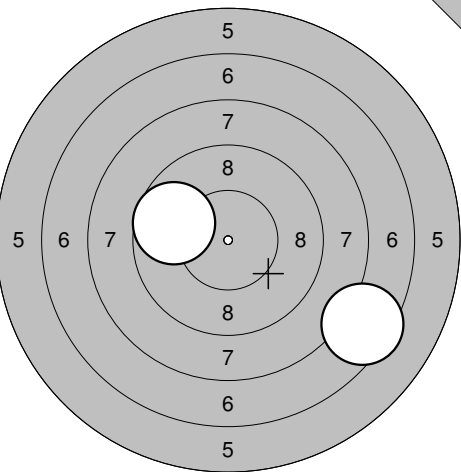
<p>60 shot</p> 	<p>21: 7,8 → 22: 8,9 ← 23: 9,5 → 24: 8,7 → 25: 9,3 ↘ 26: 8,7 → 27: 4,3 ↙ 28: 9,2 ↑ 29: 10,1 ↘ 30: 5,9 ↑</p> <p>Serie 77,0 Totalt 250,0</p>	<p>60 shot</p> 	<p>31: 10,0 ↗ 32: 10,0 ← 33: 9,4 ↘ 34: 9,4 ↗ 35: 9,6 ↗ 36: 9,0 ↙ 37: 8,5 → 38: 9,7 ← 39: 9,5 ↘ 40: 9,9 ↑</p> <p>Serie 91,0 Totalt 341,0</p>
---	--	---	---

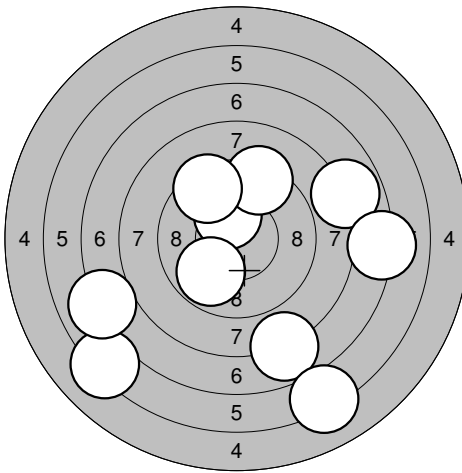
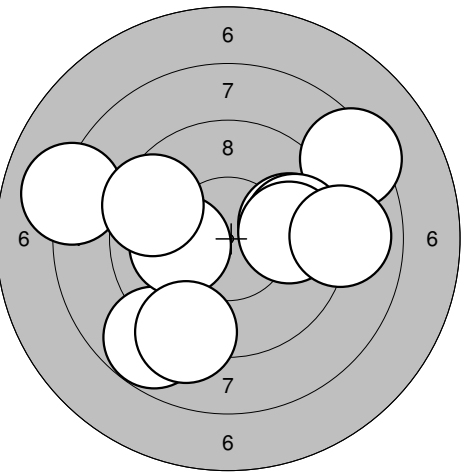
<p>Sight</p>	<p>60 shot</p>	
Serie 93,0	Serie 93,0	
Totalt 0,0	Totalt 93,0	

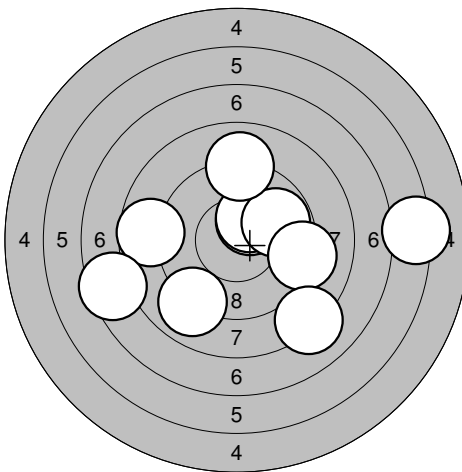
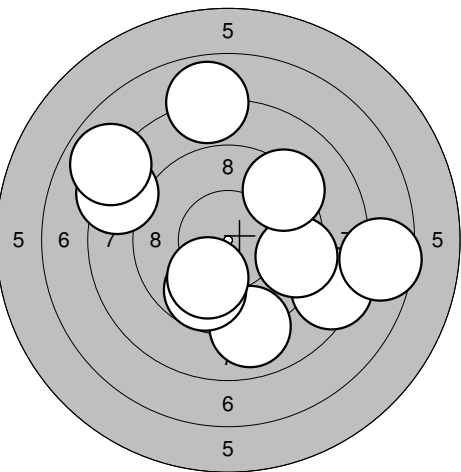
<p>60 shot</p>	<p>60 shot</p>	
Serie 94,0	Serie 92,0	
Totalt 187,0	Totalt 279,0	

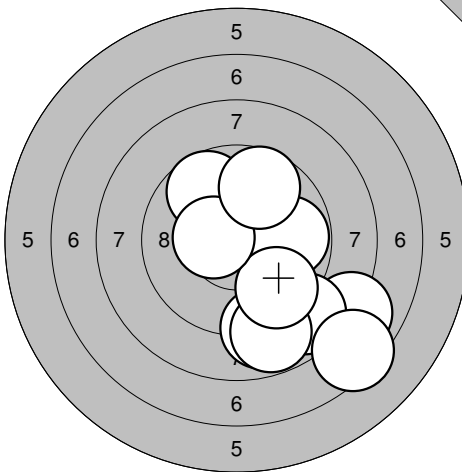
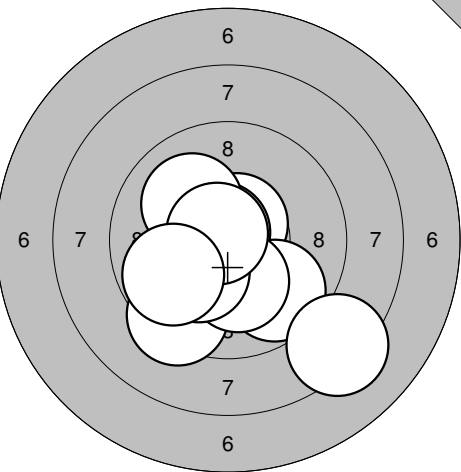
<p>60 shot</p>	
Serie 85,0	
Totalt 364,0	

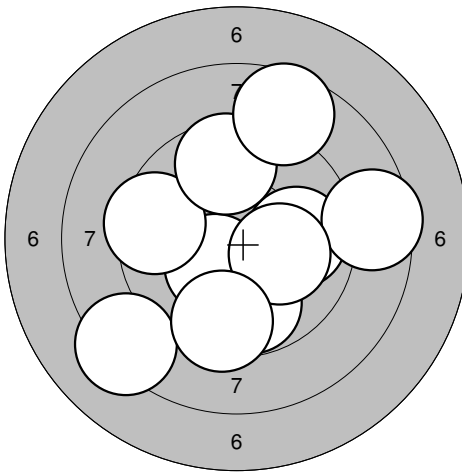
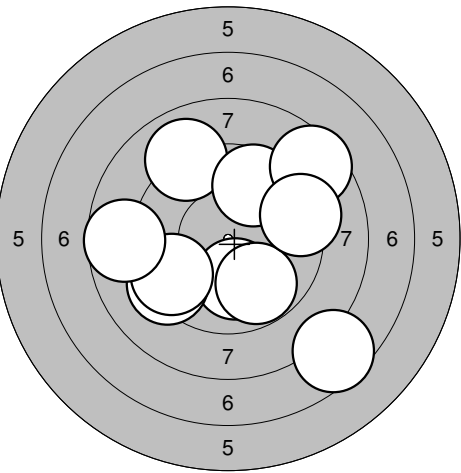


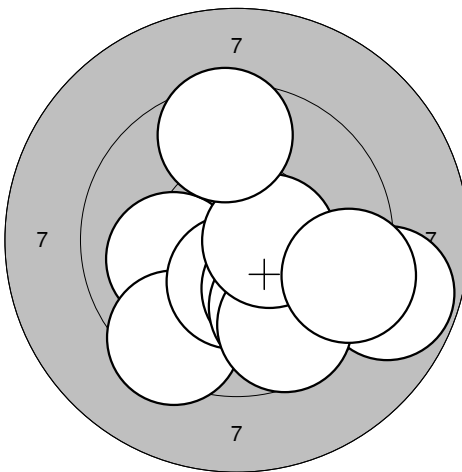
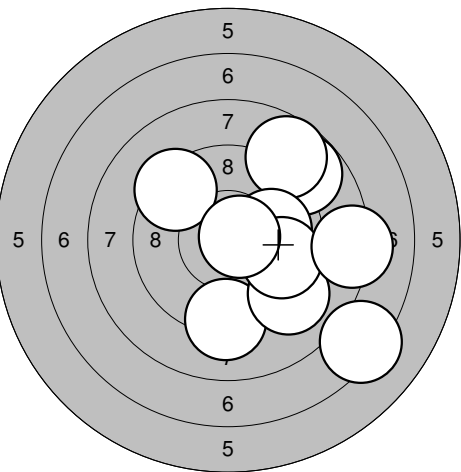
<p>Sight</p> 	<p>1: 7,7 ↘                  2: 8,6 ↓                  3: 10,7* ↗                  4: 10,1 ↓                  5: 8,8 ←                  6: 8,2 ↗                  7: 8,5 ←                  8: 8,1 →                  9: 8,7 ↓                  10: 7,4 ↓</p> <table border="1" style="width:100%; border-collapse: collapse;"> <tr><td>Serie</td><td style="text-align: right;">82,0</td></tr> <tr><td>Totalt</td><td style="text-align: right;">0,0</td></tr> </table>	Serie	82,0	Totalt	0,0	<p>Sight</p> 	<p>11: 7,5 ↘                  12: 9,7 ←</p> <table border="1" style="width:100%; border-collapse: collapse;"> <tr><td>Serie</td><td style="text-align: right;">16,0</td></tr> <tr><td>Totalt</td><td style="text-align: right;">0,0</td></tr> </table>	Serie	16,0	Totalt	0,0
Serie	82,0										
Totalt	0,0										
Serie	16,0										
Totalt	0,0										

<p>60 shot</p> 	<p>1: 6,2 ↙                  2: 7,9 →                  3: 7,8 ↓                  4: 10,3* ↗                  5: 9,8 ↓                  6: 7,1 →                  7: 9,3 ↗                  8: 9,4 ↗                  9: 6,1 ↓                  10: 7,0 ↙</p> <table border="1" style="width:100%; border-collapse: collapse;"> <tr><td>Serie</td><td style="text-align: right;">77,0</td></tr> <tr><td>Totalt</td><td style="text-align: right;">77,0</td></tr> </table>	Serie	77,0	Totalt	77,0	<p>60 shot</p> 	<p>11: 8,8 ↙                  12: 10,1 ←                  13: 8,4 ↗                  14: 9,8 →                  15: 8,1 ←                  16: 9,5 ↙                  17: 9,7 →                  18: 9,1 ↓                  19: 9,9 →                  20: 9,0 →</p> <table border="1" style="width:100%; border-collapse: collapse;"> <tr><td>Serie</td><td style="text-align: right;">88,0</td></tr> <tr><td>Totalt</td><td style="text-align: right;">165,0</td></tr> </table>	Serie	88,0	Totalt	165,0
Serie	77,0										
Totalt	77,0										
Serie	88,0										
Totalt	165,0										

<p>60 shot</p> 	<p>21: 10,3* ↗                  22: 6,2 →                  23: 8,7 ←                  24: 10,3* ↗                  25: 9,8 →                  26: 9,2 →                  27: 8,1 ↓                  28: 9,0 ↑                  29: 9,0 ↓                  30: 7,5 ←</p> <table border="1" style="width:100%; border-collapse: collapse;"> <tr><td>Serie</td><td style="text-align: right;">85,0</td></tr> <tr><td>Totalt</td><td style="text-align: right;">250,0</td></tr> </table>	Serie	85,0	Totalt	250,0	<p>60 shot</p> 	<p>31: 8,3 ←                  32: 9,0 ↓                  33: 9,7 ↓                  34: 7,9 ↙                  35: 10,0 ↓                  36: 7,9 ↑                  37: 8,4 ↘                  38: 9,4 →                  39: 9,3 ↗                  40: 7,6 →</p> <table border="1" style="width:100%; border-collapse: collapse;"> <tr><td>Serie</td><td style="text-align: right;">83,0</td></tr> <tr><td>Totalt</td><td style="text-align: right;">333,0</td></tr> </table>	Serie	83,0	Totalt	333,0
Serie	85,0										
Totalt	250,0										
Serie	83,0										
Totalt	333,0										

<p>Sight</p> 	<p>1: 9,8 →</p> <p>2: 8,0 ↘</p> <p>3: 9,7 ↗</p> <p>4: 8,7 ↘</p> <p>5: 8,9 ↘</p> <p>6: 8,8 ↘</p> <p>7: 9,6 ↘</p> <p>8: 7,4 ↘</p> <p>9: 10,4* ←</p> <p>10: 9,7 ↗</p> <table border="1" style="width:100%; border-collapse: collapse; margin-top: 10px;"> <tr><td>Serie</td><td style="text-align: right;">85,0</td></tr> <tr><td>Totalt</td><td style="text-align: right;">0,0</td></tr> </table>	Serie	85,0	Totalt	0,0	<p>Sight</p> 	<p>11: 10,6* ↗</p> <p>12: 9,7 ↘</p> <p>13: 10,8* ↗</p> <p>14: 9,4 ↘</p> <p>15: 10,2* ↘</p> <p>16: 10,1 ↗</p> <p>17: 10,2* ↘</p> <p>18: 10,7* ↖</p> <p>19: 8,3 ↘</p> <p>20: 9,8 ↙</p> <table border="1" style="width:100%; border-collapse: collapse; margin-top: 10px;"> <tr><td>Serie</td><td style="text-align: right;">95,0</td></tr> <tr><td>Totalt</td><td style="text-align: right;">0,0</td></tr> </table>	Serie	95,0	Totalt	0,0
Serie	85,0										
Totalt	0,0										
Serie	95,0										
Totalt	0,0										

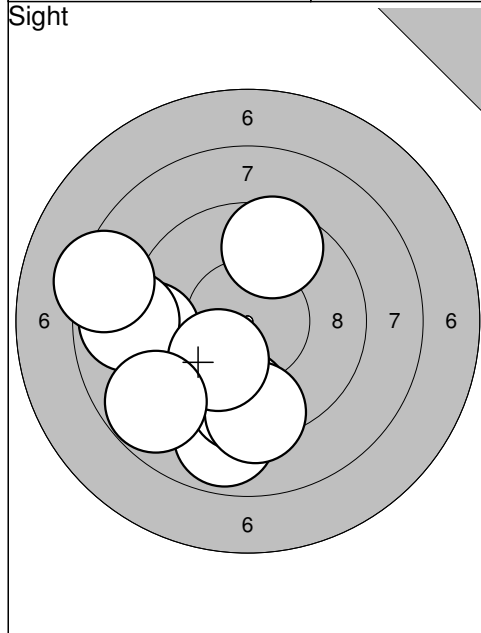
<p>60 shot</p> 	<p>1: 9,9 →</p> <p>2: 8,5 →</p> <p>3: 9,8 ↘</p> <p>4: 10,3* ↘</p> <p>5: 9,5 ←</p> <p>6: 10,1 →</p> <p>7: 9,6 ↗</p> <p>8: 8,3 ↘</p> <p>9: 9,5 ↘</p> <p>10: 8,6 ↗</p> <table border="1" style="width:100%; border-collapse: collapse; margin-top: 10px;"> <tr><td>Serie</td><td style="text-align: right;">89,0</td></tr> <tr><td>Totalt</td><td style="text-align: right;">89,0</td></tr> </table>	Serie	89,0	Totalt	89,0	<p>60 shot</p> 	<p>11: 9,0 ↗</p> <p>12: 10,1 ↘</p> <p>13: 7,6 ↘</p> <p>14: 9,7 ↗</p> <p>15: 9,8 ↘</p> <p>16: 9,3 ↙</p> <p>17: 8,5 ↗</p> <p>18: 9,3 →</p> <p>19: 9,5 ↙</p> <p>20: 8,7 ←</p> <table border="1" style="width:100%; border-collapse: collapse; margin-top: 10px;"> <tr><td>Serie</td><td style="text-align: right;">87,0</td></tr> <tr><td>Totalt</td><td style="text-align: right;">176,0</td></tr> </table>	Serie	87,0	Totalt	176,0
Serie	89,0										
Totalt	89,0										
Serie	87,0										
Totalt	176,0										

<p>60 shot</p> 	<p>21: 10,1 ←</p> <p>22: 9,4 ↘</p> <p>23: 10,4* ↘</p> <p>24: 10,2* ↘</p> <p>25: 8,8 →</p> <p>26: 9,9 ↘</p> <p>27: 9,6 ↘</p> <p>28: 10,5* →</p> <p>29: 9,4 →</p> <p>30: 9,5 ↗</p> <table border="1" style="width:100%; border-collapse: collapse; margin-top: 10px;"> <tr><td>Serie</td><td style="text-align: right;">93,0</td></tr> <tr><td>Totalt</td><td style="text-align: right;">269,0</td></tr> </table>	Serie	93,0	Totalt	269,0	<p>60 shot</p> 	<p>31: 8,8 ↗</p> <p>32: 8,7 ↗</p> <p>33: 9,2 ↘</p> <p>34: 9,2 ↘</p> <p>35: 7,3 ↘</p> <p>36: 10,0 →</p> <p>37: 9,7 →</p> <p>38: 9,4 ↗</p> <p>39: 10,7* →</p> <p>40: 8,2 →</p> <table border="1" style="width:100%; border-collapse: collapse; margin-top: 10px;"> <tr><td>Serie</td><td style="text-align: right;">87,0</td></tr> <tr><td>Totalt</td><td style="text-align: right;">356,0</td></tr> </table>	Serie	87,0	Totalt	356,0
Serie	93,0										
Totalt	269,0										
Serie	87,0										
Totalt	356,0										

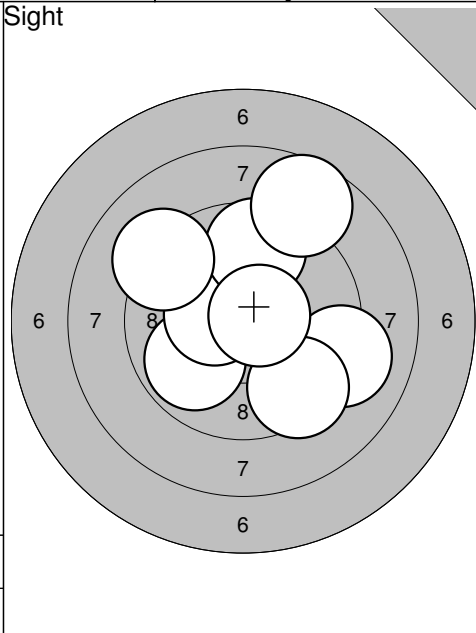
<p>Sight</p>	<p>Sight</p>	
Serie 94,0	Serie 45,0	
Totalt 0,0	Totalt 0,0	

<p>60 shot</p>	<p>60 shot</p>	
Serie 94,0	Serie 96,0	
Totalt 94,0	Totalt 190,0	

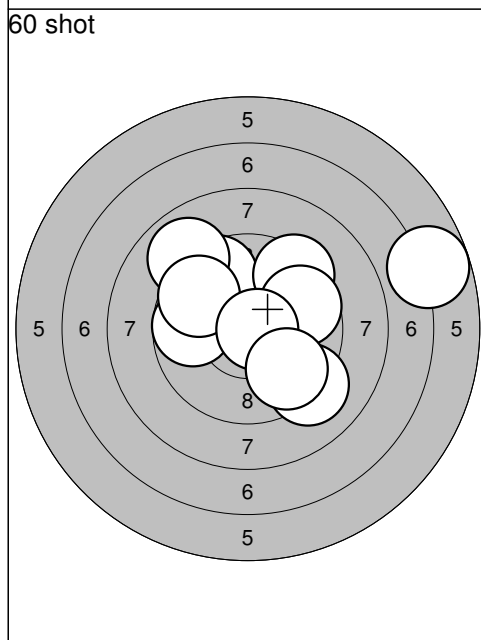
<p>60 shot</p>	<p>60 shot</p>	
Serie 96,0	Serie 94,0	
Totalt 286,0	Totalt 380,0	



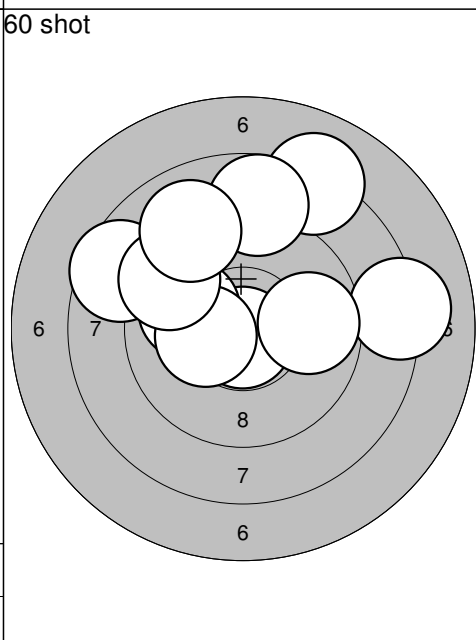
1: 9,0	↓
2: 8,9	↓
3: 9,5	↓
4: 9,2	←
5: 8,9	←
6: 9,3	↓
7: 10,1	↓
8: 8,3	←
9: 9,6	↑
10: 8,8	↙
Serie 87,0	
Totalt 0,0	



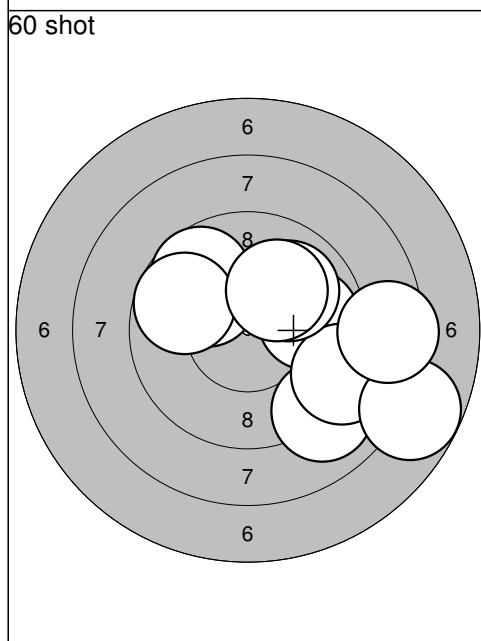
11: 9,9	↙
12: 10,4*	←
13: 9,7	↑
14: 9,1	→
15: 9,2	↗
16: 9,4	↓
17: 8,7	↑
18: 10,6*	→
Serie 73,0	
Totalt 0,0	



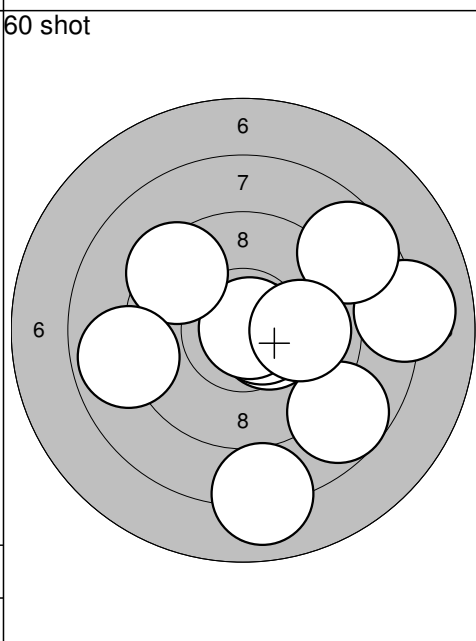
1: 9,1	↘
2: 9,8	←
3: 9,6	↗
4: 6,8	→
5: 8,9	↗
6: 9,4	↗
7: 9,7	↗
8: 9,7	→
9: 10,7*	→
10: 9,7	↘
Serie 87,0	
Totalt 87,0	



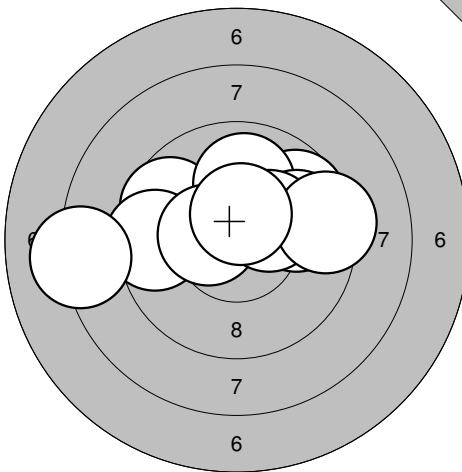
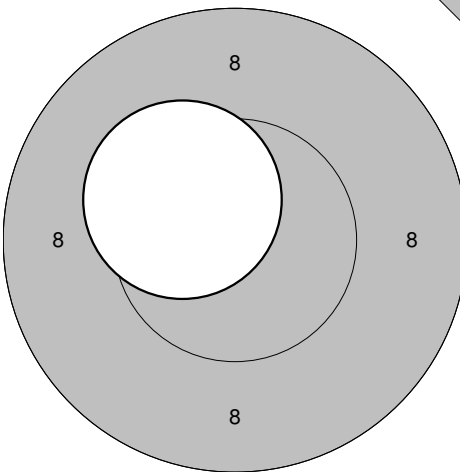
11: 8,1	↗
12: 10,8*	↓
13: 9,9	←
14: 10,3*	←
15: 8,2	→
16: 8,8	↑
17: 9,8	→
18: 8,6	↖
19: 9,4	↗
20: 9,0	↗
Serie 88,0	
Totalt 175,0	

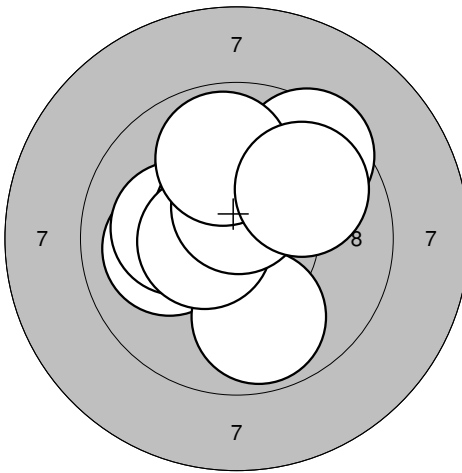
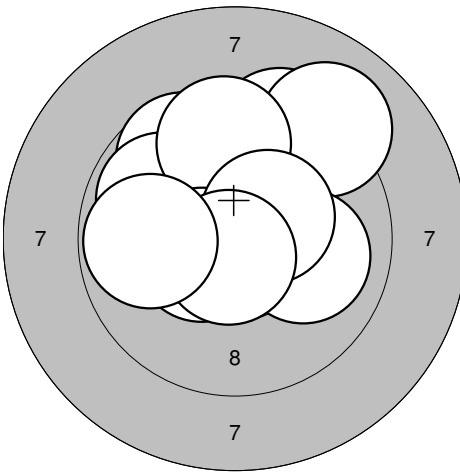


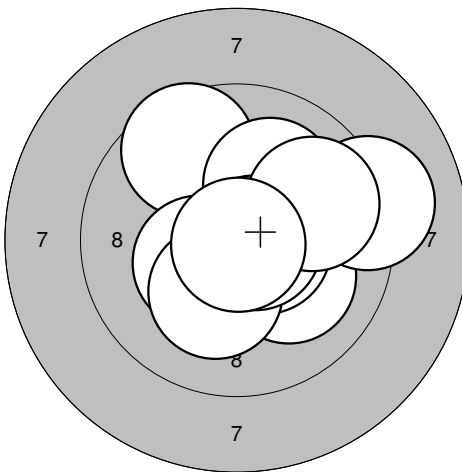
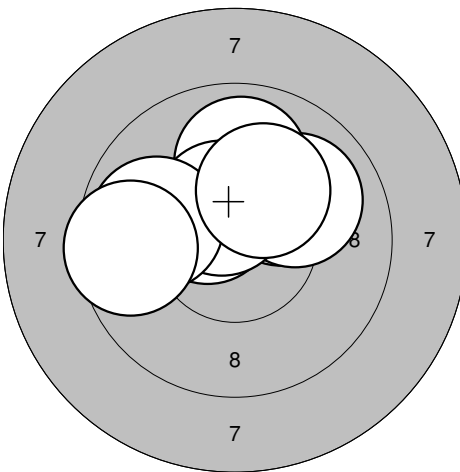
21: 10,0	↗
22: 9,7	↗
23: 9,0	↓
24: 9,7	↗
25: 9,9	→
26: 9,1	↘
27: 10,0	↗
28: 7,8	↘
29: 10,1	↗
30: 8,5	→
Serie 90,0	
Totalt 265,0	

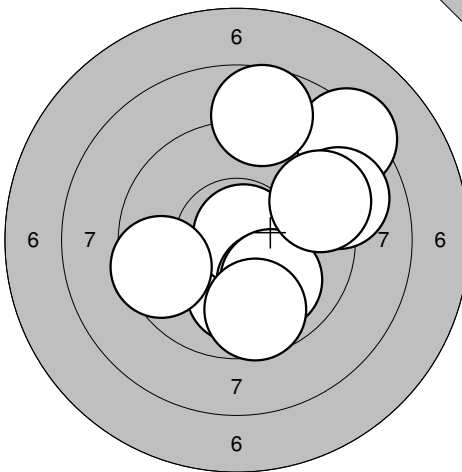
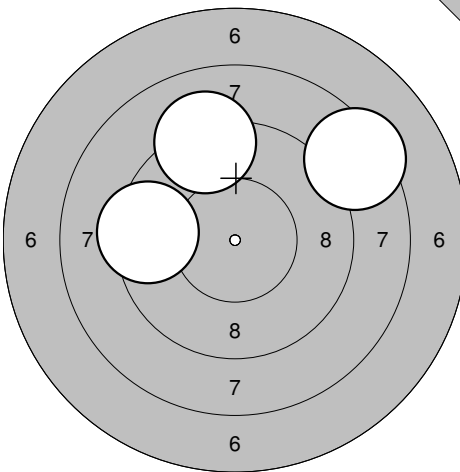


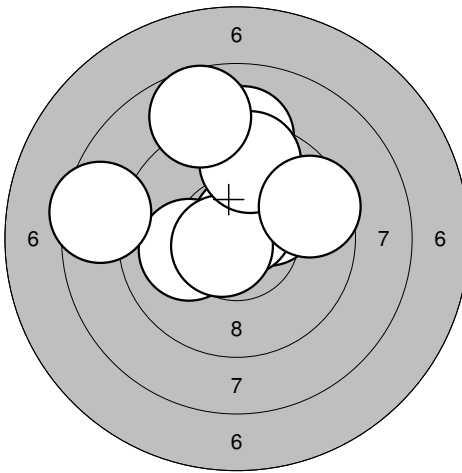
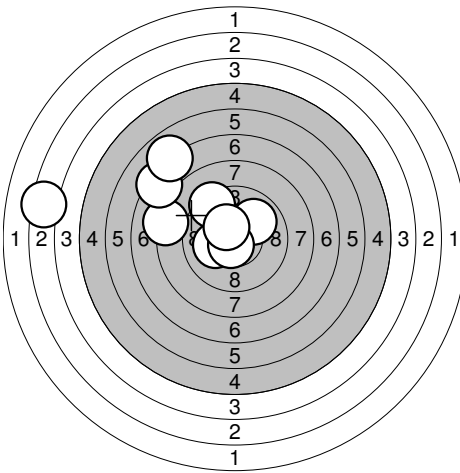
31: 10,5*	→
32: 8,1	→
33: 8,7	↘
34: 8,0	↓
35: 10,6*	→
36: 8,6	↗
37: 10,8*	→
38: 9,4	↗
39: 8,9	←
40: 9,9	→
Serie 88,0	
Totalt 353,0	

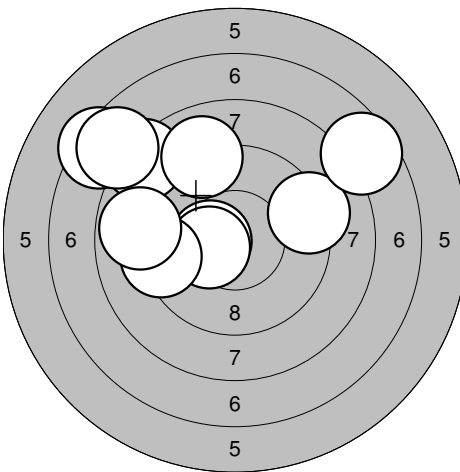
<p>Sight</p> 	<p>1: 9,7 ↗ 2: 9,7 ↖ 3: 9,5 ← 4: 9,9 ↑ 5: 9,8 → 6: 8,2 ← 7: 10,4* ← 8: 10,3* ↗ 9: 9,3 → 10: 10,5* ↑</p> <p>Serie 92,0 Totalt 0,0</p>	<p>Sight</p>  <p style="text-align: right;">11: 10,4* ↖</p> <p>Serie 10,0 Totalt 0,0</p>
---	--	--

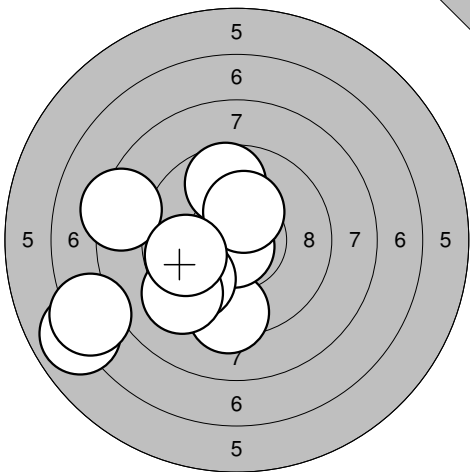
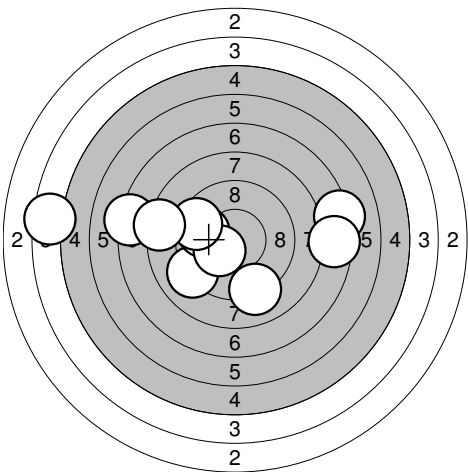
<p>60 shot</p> 	<p>1: 9,5 ↗ 2: 10,0 ↑ 3: 10,0 ← 4: 10,2* ← 5: 9,9 ↓ 6: 10,6* ↗ 7: 10,5* ← 8: 10,5* ↑ 9: 9,9 ↑ 10: 9,9 ↗</p> <p>Serie 96,0 Totalt 96,0</p>	<p>60 shot</p>  <p>11: 9,5 ↑ 12: 9,7 ↖ 13: 9,1 ↗ 14: 9,9 ↖ 15: 9,7 ↑ 16: 10,5* ← 17: 10,0 → 18: 10,4* ↗ 19: 10,7* ↓ 20: 9,8 ←</p> <p>Serie 94,0 Totalt 190,0</p>
--	---	---

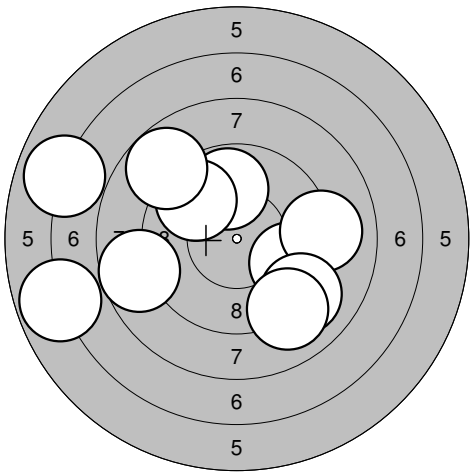
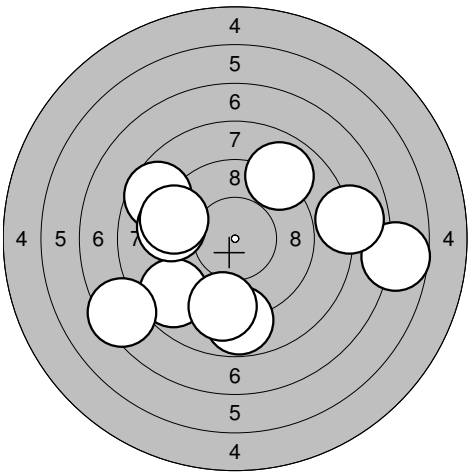
<p>60 shot</p> 	<p>21: 10,1 ↘ 22: 10,6* → 23: 9,6 ↗ 24: 10,4* ↖ 25: 10,1 ↗ 26: 9,1 → 27: 10,2* ↓ 28: 10,7* → 29: 9,8 → 30: 10,9* ↘</p> <p>Serie 97,0 Totalt 287,0</p>	<p>60 shot</p>  <p>31: 10,1 ↗ 32: 10,1 ↑ 33: 10,0 ↗ 34: 10,3* ↑ 35: 10,5* ↖ 36: 9,9 ↑ 37: 10,5* ↗ 38: 9,9 ← 39: 9,6 ← 40: 10,2* ↗</p> <p>Serie 97,0 Totalt 384,0</p>
---	---	--

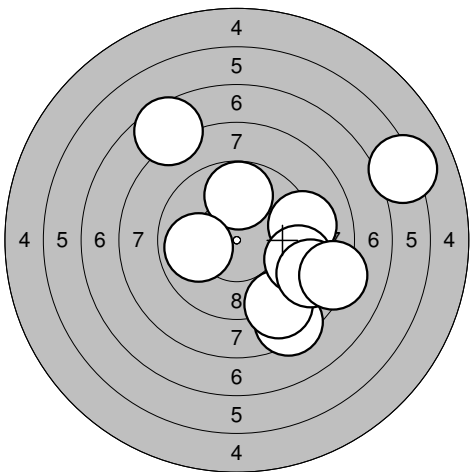
<p>Sight</p> 	<p>1: 10,0 ↓</p> <p>2: 10,8* ↗</p> <p>3: 8,3 ↗</p> <p>4: 9,5 ←</p> <p>5: 10,0 ↓</p> <p>6: 10,0 ↓</p> <p>7: 8,7 ↑</p> <p>8: 9,0 ↗</p> <p>9: 9,3 ↗</p> <p>10: 9,7 ↓</p> <hr/> <p>Serie 92,0</p> <p>Totalt 0,0</p>	<p>Sight</p> 	<p>11: 9,4 ←</p> <p>12: 8,4 ↗</p> <p>13: 9,2 ↑</p> <hr/> <p>Serie 26,0</p> <p>Totalt 0,0</p>
---	---	---	--

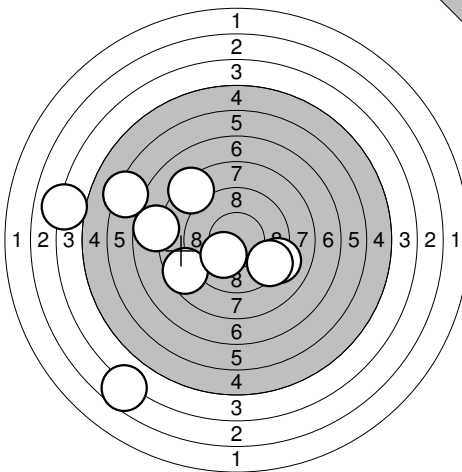
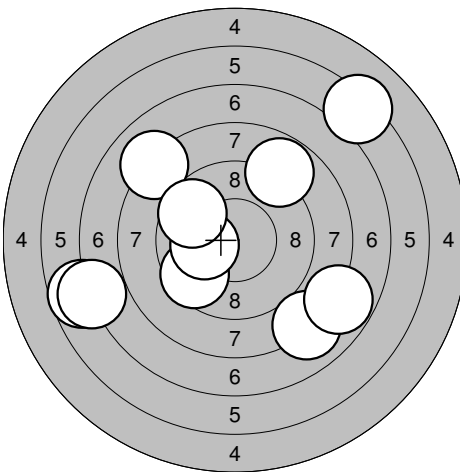
<p>60 shot</p> 	<p>1: 10,5* ↗</p> <p>2: 10,3* ↗</p> <p>3: 10,7* ↗</p> <p>4: 10,1 ←</p> <p>5: 10,7* ←</p> <p>6: 9,2 ↑</p> <p>7: 9,6 ↑</p> <p>8: 8,7 ↑</p> <p>9: 8,5 ←</p> <p>10: 9,5 ↗</p> <hr/> <p>Serie 93,0</p> <p>Totalt 93,0</p>	<p>60 shot</p> 	<p>11: 8,2 ←</p> <p>12: 7,3 ↖</p> <p>13: 6,9 ↗</p> <p>14: 10,2* ←</p> <p>15: 10,7* ↖</p> <p>16: 10,0 ↗</p> <p>17: 10,6* ↓</p> <p>18: 9,4 ↗</p> <p>19: 10,4* ↗</p> <p>20: 3,4 ←</p> <hr/> <p>Serie 83,0</p> <p>Totalt 176,0</p>
--	--	--	--

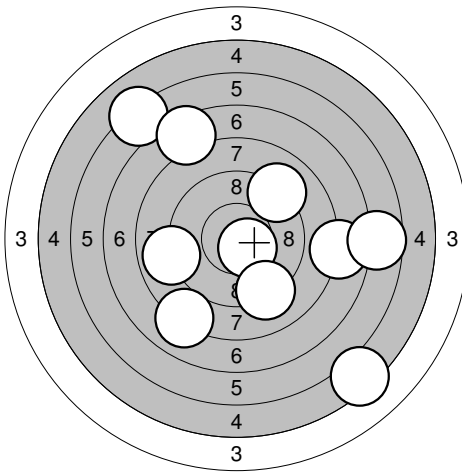
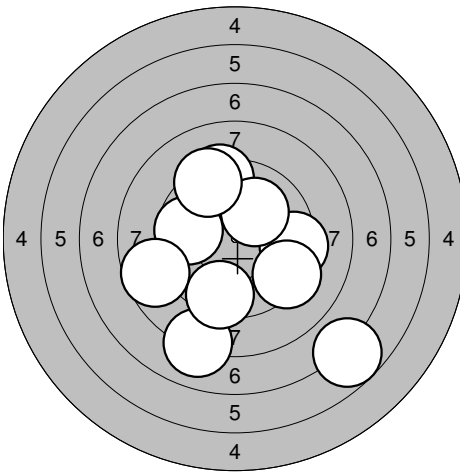
<p>60 shot</p> 	<p>21: 9,1 ↖</p> <p>22: 8,6 ↑</p> <p>23: 10,7* ↗</p> <p>24: 7,7 ↖</p> <p>25: 8,4 ←</p> <p>26: 7,5 ←</p> <p>27: 7,4 ↖</p> <p>28: 7,3 ←</p> <p>29: 7,3 ←</p> <p>30: 8,5 ←</p> <hr/> <p>Serie 78,0</p> <p>Totalt 254,0</p>	<p>60 shot</p> 	<p>31: 10,4* ←</p> <p>32: 10,4* ←</p> <p>33: 8,3 ↖</p> <p>34: 9,3 ←</p> <p>35: 9,0 ↑</p> <p>36: 8,9 ←</p> <p>37: 7,4 ↖</p> <p>38: 9,2 ↗</p> <p>39: 7,7 ↖</p> <p>40: 7,6 ↗</p> <hr/> <p>Serie 84,0</p> <p>Totalt 338,0</p>
---	---	---	---

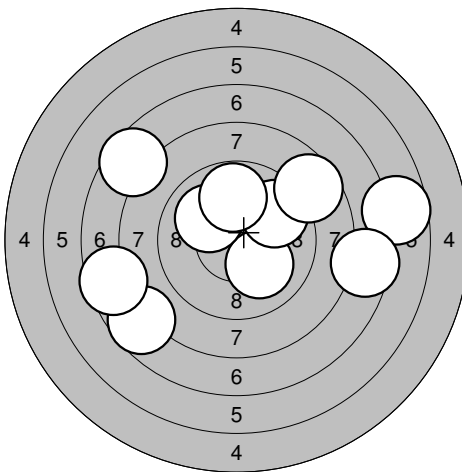
<p>Sight</p> 	<p>60 shot</p> 	
<p>1: 9,3 ↓</p> <p>2: 8,3 ←</p> <p>3: 9,7 ↑</p> <p>4: 10,8* ↓</p> <p>5: 10,3* ↑</p> <p>6: 9,7 ↓</p> <p>7: 9,3 ↓</p> <p>8: 6,9 ←</p> <p>9: 9,8 ←</p> <p>10: 7,3 ←</p>	<p>1: 9,1 ↙</p> <p>2: 7,2 ←</p> <p>3: 9,8 ←</p> <p>4: 4,5 ←</p> <p>5: 10,3* ↙</p> <p>6: 7,2 →</p> <p>7: 9,1 ↓</p> <p>8: 9,5 ←</p> <p>9: 8,3 ←</p> <p>10: 7,5 →</p>	
Serie 86,0	Serie 79,0	
Totalt 0,0	Totalt 79,0	

<p>60 shot</p> 	<p>60 shot</p> 	
<p>11: 6,8 ←</p> <p>12: 9,7 →</p> <p>13: 8,7 ←</p> <p>14: 9,8 ↑</p> <p>15: 6,9 ↖</p> <p>16: 9,7 ↗</p> <p>17: 9,1 →</p> <p>18: 9,1 ↓</p> <p>19: 9,0 ↓</p> <p>20: 8,8 ↗</p>	<p>21: 8,7 ↖</p> <p>22: 8,8 ↙</p> <p>23: 8,8 ↓</p> <p>24: 6,7 →</p> <p>25: 7,4 ↙</p> <p>26: 9,3 ←</p> <p>27: 8,9 ↗</p> <p>28: 7,9 →</p> <p>29: 9,3 ←</p> <p>30: 9,1 ↓</p>	
Serie 82,0	Serie 79,0	
Totalt 161,0	Totalt 240,0	

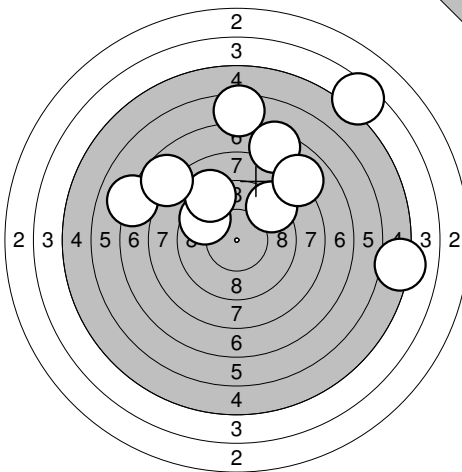
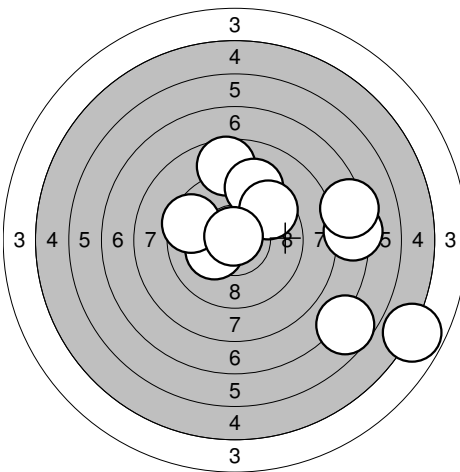
<p>60 shot</p> 		
<p>31: 8,4 ↓</p> <p>32: 9,2 →</p> <p>33: 7,6 ↗</p> <p>34: 8,9 ↓</p> <p>35: 9,8 ↑</p> <p>36: 6,2 →</p> <p>37: 9,2 →</p> <p>38: 8,8 ↓</p> <p>39: 8,2 →</p> <p>40: 9,9 ←</p>		
Serie 81,0		
Totalt 321,0		

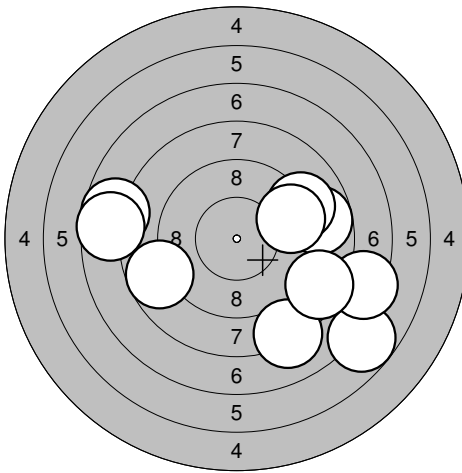
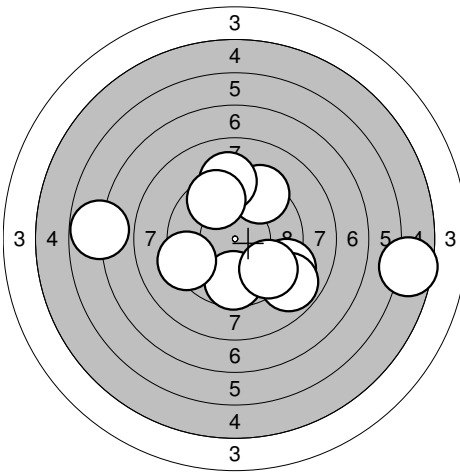
<p>Sight</p> 	<p>60 shot</p> <table style="width:100%;"> <tr><td>1: 4,1</td><td>←</td></tr> <tr><td>2: 7,8</td><td>←</td></tr> <tr><td>3: 9,1</td><td>→</td></tr> <tr><td>4: 6,3</td><td>↖</td></tr> <tr><td>5: 9,4</td><td>↘</td></tr> <tr><td>6: 8,3</td><td>↗</td></tr> <tr><td>7: 3,7</td><td>↓</td></tr> <tr><td>8: 8,6</td><td>←</td></tr> <tr><td>9: 10,2*</td><td>↙</td></tr> </table> <table style="width:100%; border-top: 1px solid black;"> <tr><td>Serie</td><td style="text-align: right;">64,0</td></tr> <tr><td>Totalt</td><td style="text-align: right;">0,0</td></tr> </table>	1: 4,1	←	2: 7,8	←	3: 9,1	→	4: 6,3	↖	5: 9,4	↘	6: 8,3	↗	7: 3,7	↓	8: 8,6	←	9: 10,2*	↙	Serie	64,0	Totalt	0,0	 <table style="width:100%;"> <tr><td>1: 8,0</td><td>↘</td></tr> <tr><td>2: 6,7</td><td>←</td></tr> <tr><td>3: 9,6</td><td>↙</td></tr> <tr><td>4: 8,1</td><td>↖</td></tr> <tr><td>5: 10,1</td><td>←</td></tr> <tr><td>6: 6,9</td><td>←</td></tr> <tr><td>7: 9,6</td><td>↖</td></tr> <tr><td>8: 8,8</td><td>↗</td></tr> <tr><td>9: 7,8</td><td>↘</td></tr> <tr><td>10: 6,2</td><td>↗</td></tr> </table> <table style="width:100%; border-top: 1px solid black;"> <tr><td>Serie</td><td style="text-align: right;">77,0</td></tr> <tr><td>Totalt</td><td style="text-align: right;">77,0</td></tr> </table>	1: 8,0	↘	2: 6,7	←	3: 9,6	↙	4: 8,1	↖	5: 10,1	←	6: 6,9	←	7: 9,6	↖	8: 8,8	↗	9: 7,8	↘	10: 6,2	↗	Serie	77,0	Totalt	77,0
1: 4,1	←																																															
2: 7,8	←																																															
3: 9,1	→																																															
4: 6,3	↖																																															
5: 9,4	↘																																															
6: 8,3	↗																																															
7: 3,7	↓																																															
8: 8,6	←																																															
9: 10,2*	↙																																															
Serie	64,0																																															
Totalt	0,0																																															
1: 8,0	↘																																															
2: 6,7	←																																															
3: 9,6	↙																																															
4: 8,1	↖																																															
5: 10,1	←																																															
6: 6,9	←																																															
7: 9,6	↖																																															
8: 8,8	↗																																															
9: 7,8	↘																																															
10: 6,2	↗																																															
Serie	77,0																																															
Totalt	77,0																																															

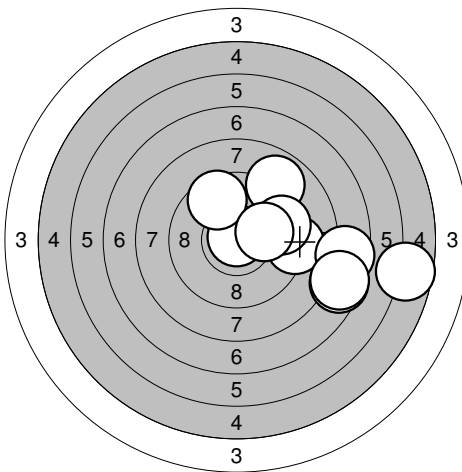
<p>60 shot</p> 	<p>60 shot</p> <table style="width:100%;"> <tr><td>11: 6,2</td><td>↗</td></tr> <tr><td>12: 10,5*</td><td>↘</td></tr> <tr><td>13: 5,3</td><td>↘</td></tr> <tr><td>14: 7,8</td><td>→</td></tr> <tr><td>15: 8,9</td><td>←</td></tr> <tr><td>16: 8,0</td><td>↙</td></tr> <tr><td>17: 6,7</td><td>→</td></tr> <tr><td>18: 9,1</td><td>↗</td></tr> <tr><td>19: 7,4</td><td>↗</td></tr> <tr><td>20: 9,1</td><td>↘</td></tr> </table> <table style="width:100%; border-top: 1px solid black;"> <tr><td>Serie</td><td style="text-align: right;">75,0</td></tr> <tr><td>Totalt</td><td style="text-align: right;">152,0</td></tr> </table>	11: 6,2	↗	12: 10,5*	↘	13: 5,3	↘	14: 7,8	→	15: 8,9	←	16: 8,0	↙	17: 6,7	→	18: 9,1	↗	19: 7,4	↗	20: 9,1	↘	Serie	75,0	Totalt	152,0	 <table style="width:100%;"> <tr><td>21: 8,0</td><td>↘</td></tr> <tr><td>22: 9,3</td><td>↑</td></tr> <tr><td>23: 9,4</td><td>→</td></tr> <tr><td>24: 6,7</td><td>↘</td></tr> <tr><td>25: 9,4</td><td>↓</td></tr> <tr><td>26: 9,7</td><td>←</td></tr> <tr><td>27: 8,7</td><td>←</td></tr> <tr><td>28: 10,1</td><td>↗</td></tr> <tr><td>29: 9,3</td><td>↘</td></tr> <tr><td>30: 9,3</td><td>↖</td></tr> </table> <table style="width:100%; border-top: 1px solid black;"> <tr><td>Serie</td><td style="text-align: right;">86,0</td></tr> <tr><td>Totalt</td><td style="text-align: right;">238,0</td></tr> </table>	21: 8,0	↘	22: 9,3	↑	23: 9,4	→	24: 6,7	↘	25: 9,4	↓	26: 9,7	←	27: 8,7	←	28: 10,1	↗	29: 9,3	↘	30: 9,3	↖	Serie	86,0	Totalt	238,0
11: 6,2	↗																																																	
12: 10,5*	↘																																																	
13: 5,3	↘																																																	
14: 7,8	→																																																	
15: 8,9	←																																																	
16: 8,0	↙																																																	
17: 6,7	→																																																	
18: 9,1	↗																																																	
19: 7,4	↗																																																	
20: 9,1	↘																																																	
Serie	75,0																																																	
Totalt	152,0																																																	
21: 8,0	↘																																																	
22: 9,3	↑																																																	
23: 9,4	→																																																	
24: 6,7	↘																																																	
25: 9,4	↓																																																	
26: 9,7	←																																																	
27: 8,7	←																																																	
28: 10,1	↗																																																	
29: 9,3	↘																																																	
30: 9,3	↖																																																	
Serie	86,0																																																	
Totalt	238,0																																																	

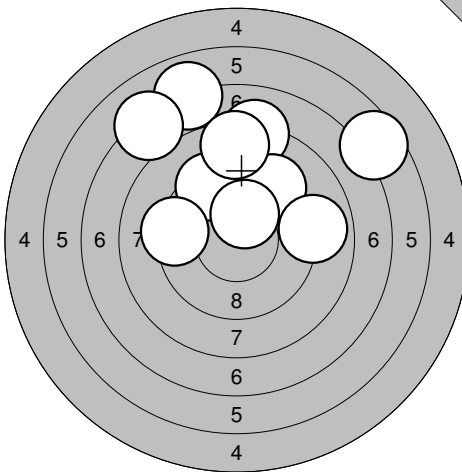
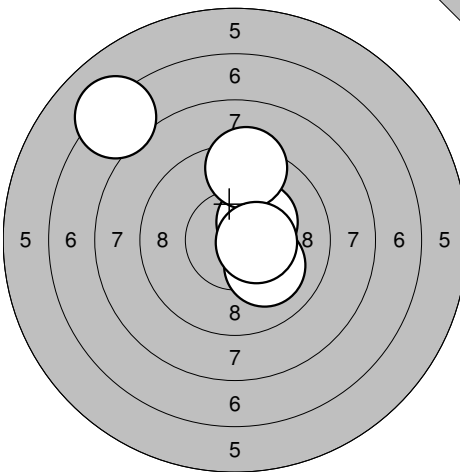
<p>60 shot</p> 	<table style="width:100%;"> <tr><td>31: 6,7</td><td>→</td></tr> <tr><td>32: 10,1</td><td>↘</td></tr> <tr><td>33: 10,0</td><td>↗</td></tr> <tr><td>34: 9,7</td><td>↗</td></tr> <tr><td>35: 7,7</td><td>↙</td></tr> <tr><td>36: 7,5</td><td>←</td></tr> <tr><td>37: 7,6</td><td>↖</td></tr> <tr><td>38: 8,6</td><td>↗</td></tr> <tr><td>39: 9,8</td><td>↑</td></tr> <tr><td>40: 7,5</td><td>→</td></tr> </table> <table style="width:100%; border-top: 1px solid black;"> <tr><td>Serie</td><td style="text-align: right;">80,0</td></tr> <tr><td>Totalt</td><td style="text-align: right;">318,0</td></tr> </table>	31: 6,7	→	32: 10,1	↘	33: 10,0	↗	34: 9,7	↗	35: 7,7	↙	36: 7,5	←	37: 7,6	↖	38: 8,6	↗	39: 9,8	↑	40: 7,5	→	Serie	80,0	Totalt	318,0	
31: 6,7	→																									
32: 10,1	↘																									
33: 10,0	↗																									
34: 9,7	↗																									
35: 7,7	↙																									
36: 7,5	←																									
37: 7,6	↖																									
38: 8,6	↗																									
39: 9,8	↑																									
40: 7,5	→																									
Serie	80,0																									
Totalt	318,0																									

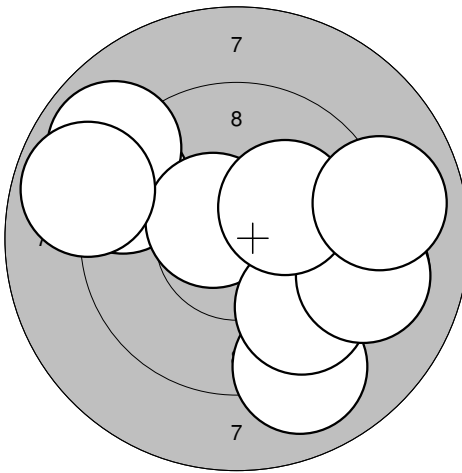
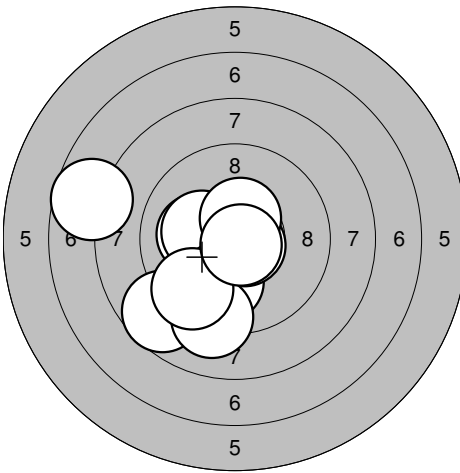


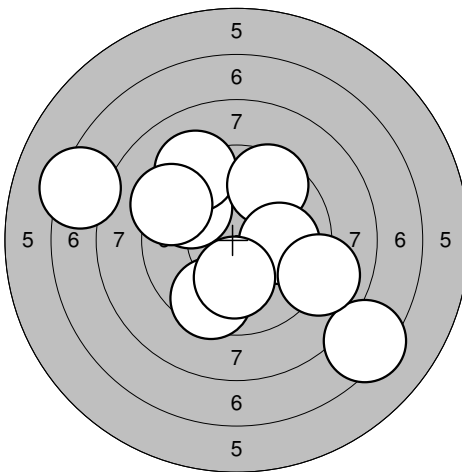
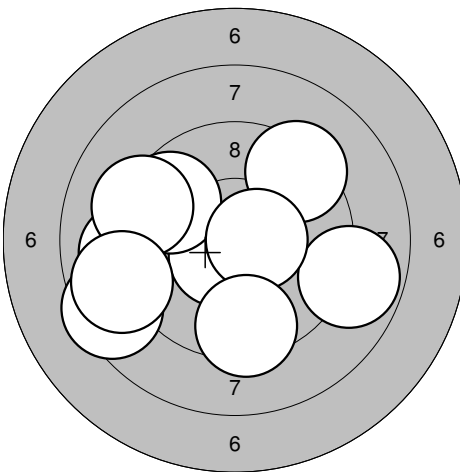
<p>Sight</p> 	<p>60 shot</p> 	
<p>1: 6,5    ↑</p> <p>2: 5,2    →</p> <p>3: 9,3    ↗</p> <p>4: 7,1    ←</p> <p>5: 4,4    ↗</p> <p>6: 9,6    ↗</p> <p>7: 9,2    ↗</p> <p>8: 7,8    ↗</p> <p>9: 7,5    ↗</p> <p>10: 8,0    ↗</p>	<p>1: 8,7    ↑</p> <p>2: 4,8    →</p> <p>3: 10,3*   ←</p> <p>4: 7,3    →</p> <p>5: 9,5    ←</p> <p>6: 7,3    →</p> <p>7: 6,7    ↘</p> <p>8: 9,3    ↑</p> <p>9: 9,6    ↗</p> <p>10: 10,8*   ↑</p>	
Serie    71,0	Serie    79,0	
Totalt    0,0	Totalt    79,0	

<p>60 shot</p> 	<p>60 shot</p> 	
<p>11: 8,7    →</p> <p>12: 7,7    ←</p> <p>13: 6,7    ↘</p> <p>14: 7,6    ←</p> <p>15: 9,1    ↗</p> <p>16: 9,4    →</p> <p>17: 7,4    →</p> <p>18: 8,1    ↘</p> <p>19: 8,5    ↘</p> <p>20: 8,7    ←</p>	<p>21: 5,6    →</p> <p>22: 9,4    ↗</p> <p>23: 9,1    ↘</p> <p>24: 8,8    ↘</p> <p>25: 9,2    ↑</p> <p>26: 6,8    ←</p> <p>27: 9,7    ↓</p> <p>28: 9,6    ↘</p> <p>29: 9,3    ←</p> <p>30: 9,6    ↑</p>	
Serie    77,0	Serie    82,0	
Totalt    156,0	Totalt    238,0	

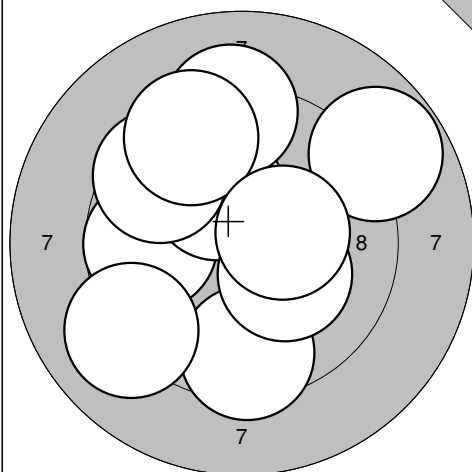
<p>60 shot</p> 		
<p>31: 8,9    ↗</p> <p>32: 7,6    →</p> <p>33: 9,1    →</p> <p>34: 9,5    →</p> <p>35: 10,9*   ↑</p> <p>36: 5,7    →</p> <p>37: 7,6    →</p> <p>38: 7,6    →</p> <p>39: 9,6    ↑</p> <p>40: 10,1    →</p>		
Serie    81,0		
Totalt    319,0		

<p>Sight</p> 	<p>1: 8,1 ↑</p> <p>2: 7,0 ↑</p> <p>3: 9,4 ↑</p> <p>4: 9,3 ↗</p> <p>5: 7,2 ↑</p> <p>6: 8,9 →</p> <p>7: 8,5 ↑</p> <p>8: 9,3 ←</p> <p>9: 6,6 ↗</p> <p>10: 10,2* ↑</p> <hr/> <p>Serie 81,0</p> <p>Totalt 0,0</p>	<p>Sight</p> 	<p>11: 7,2 ↘</p> <p>12: 10,3* ↗</p> <p>13: 9,4 ↑</p> <p>14: 10,1 ↘</p> <p>15: 10,5* →</p> <hr/> <p>Serie 46,0</p> <p>Totalt 0,0</p>
---	--	---	---

<p>60 shot</p> 	<p>1: 9,3 ↘</p> <p>2: 9,0 ↘</p> <p>3: 8,9 ↗</p> <p>4: 10,6* ↗</p> <p>5: 8,9 ↗</p> <p>6: 9,2 →</p> <p>7: 9,7 ↘</p> <p>8: 9,2 →</p> <p>9: 10,2* ↗</p> <p>10: 9,0 →</p> <hr/> <p>Serie 90,0</p> <p>Totalt 90,0</p>	<p>60 shot</p> 	<p>11: 10,1 ←</p> <p>12: 8,7 ↘</p> <p>13: 10,2* ←</p> <p>14: 7,7 ←</p> <p>15: 10,0 ↓</p> <p>16: 10,7* ↘</p> <p>17: 9,2 ↓</p> <p>18: 9,5 ↘</p> <p>19: 10,5* ↑</p> <p>20: 10,7* ↘</p> <hr/> <p>Serie 93,0</p> <p>Totalt 183,0</p>
--	---	--	---

<p>60 shot</p> 	<p>21: 9,7 ↗</p> <p>22: 9,5 ↘</p> <p>23: 9,2 ↑</p> <p>24: 9,6 ↗</p> <p>25: 10,0 →</p> <p>26: 7,4 ↘</p> <p>27: 10,1 ↓</p> <p>28: 9,3 ↗</p> <p>29: 7,3 ←</p> <p>30: 9,0 →</p> <hr/> <p>Serie 88,0</p> <p>Totalt 271,0</p>	<p>60 shot</p> 	<p>31: 9,1 ←</p> <p>32: 10,6* ↘</p> <p>33: 9,6 ↗</p> <p>34: 9,2 ←</p> <p>35: 8,8 →</p> <p>36: 9,3 ↗</p> <p>37: 8,5 ↘</p> <p>38: 8,8 ←</p> <p>39: 10,6* →</p> <p>40: 9,4 ↓</p> <hr/> <p>Serie 89,0</p> <p>Totalt 360,0</p>
---	---	---	---

Sight

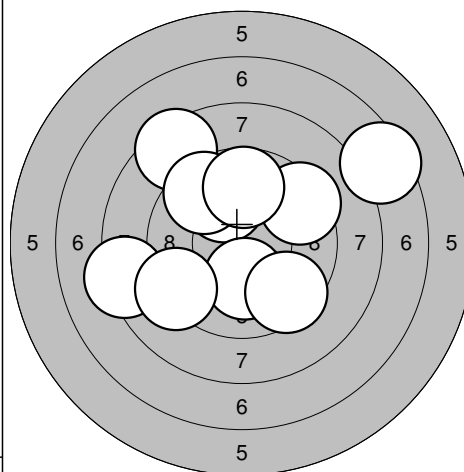


1: 9,7 ←  
 2: 10,2\* ↗  
 3: 9,5 ↓  
 4: 10,2\* ↘  
 5: 9,1 ↙  
 6: 9,5 ↗  
 7: 8,8 ↗  
 8: 9,2 ↑  
 9: 9,4 ↑  
 10: 10,4\* →

Serie 92,0

Totalt 0,0

60 shot

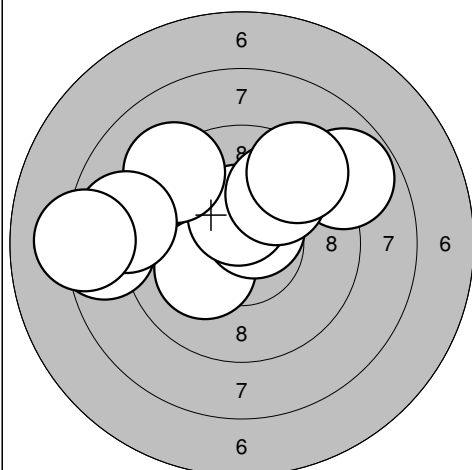


1: 9,4 ↗  
 2: 8,5 ↖  
 3: 10,0 ↗  
 4: 7,4 ↗  
 5: 10,2\* ↓  
 6: 9,6 ↗  
 7: 9,7 ↑  
 8: 8,3 ←  
 9: 9,5 ↘  
 10: 9,2 ↙

Serie 88,0

Totalt 88,0

60 shot

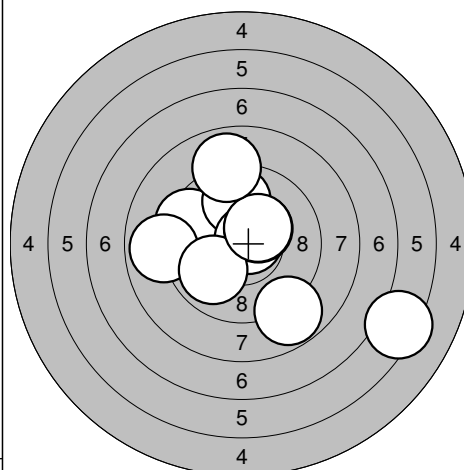


11: 10,2\* ↙  
 12: 8,5 ←  
 13: 8,8 ↗  
 14: 10,6\* ↗  
 15: 10,4\* ↑  
 16: 9,2 ↗  
 17: 8,9 ←  
 18: 9,9 ↗  
 19: 9,4 ↗  
 20: 8,2 ←

Serie 89,0

Totalt 177,0

60 shot

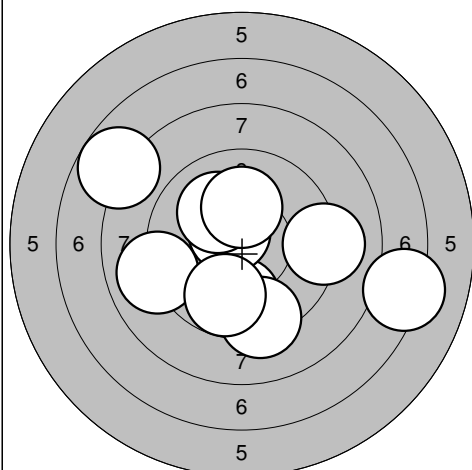


21: 9,5 ↖  
 22: 9,8 ↑  
 23: 6,3 ↘  
 24: 8,9 ←  
 25: 8,8 ↘  
 26: 10,7\* ↗  
 27: 10,4\* ↗  
 28: 9,9 ↖  
 29: 10,4\* ↗  
 30: 8,9 ↑

Serie 87,0

Totalt 264,0

60 shot

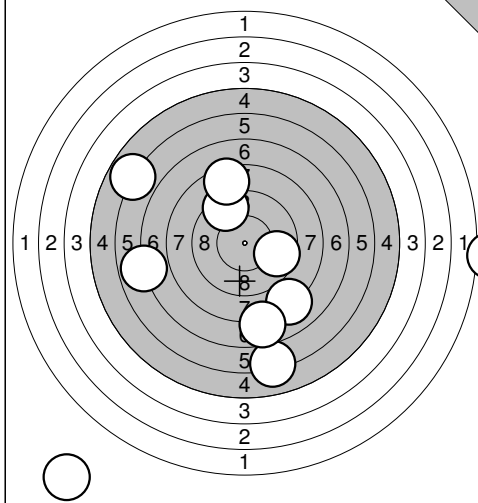


31: 9,8 ↓  
 32: 10,6\* ↗  
 33: 10,1 ↗  
 34: 7,8 ↗  
 35: 9,0 ←  
 36: 10,1 ↑  
 37: 7,2 →  
 38: 9,1 →  
 39: 9,3 ↓  
 40: 9,8 ↓

Serie 89,0

Totalt 353,0

Sight

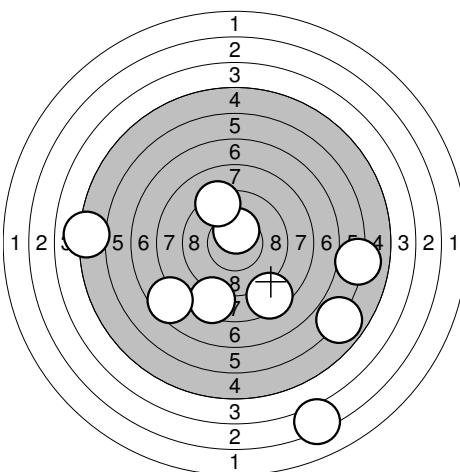


1: 9,4 ↗  
 2: 9,6 →  
 3: 6,1 ↓  
 4: 0,0 ↓  
 5: 8,1 ↓  
 6: 1,3 →  
 7: 6,9 ←  
 8: 7,7 ↓  
 9: 5,9 ↗  
 10: 8,4 ↗

Serie 59,0

Totalt 0,0

60 shot

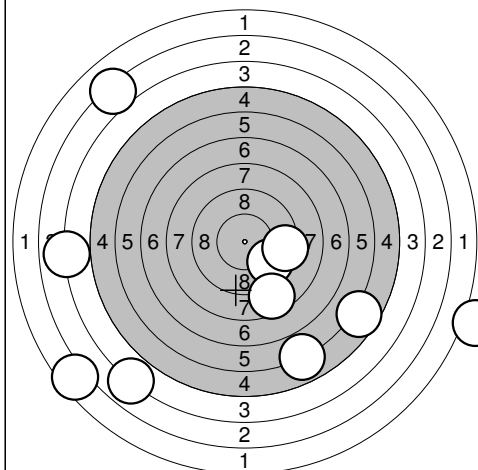


1: 8,5 ↓  
 2: 7,6 ↙  
 3: 8,5 ↓  
 4: 10,5\* ↑  
 5: 6,1 →  
 6: 5,1 ←  
 7: 5,9 ↓  
 8: 3,2 ↓  
 9: 0,0 →  
 10: 9,3 ↗

Serie 61,0

Totalt 61,0

60 shot

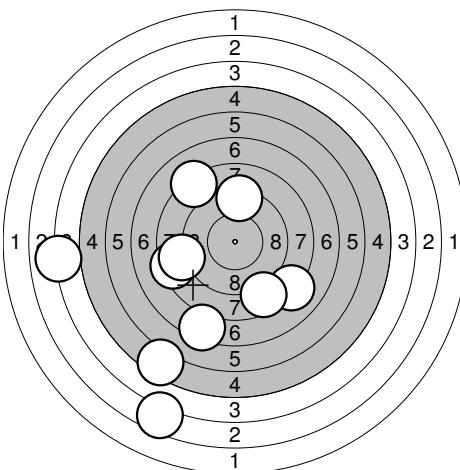


11: 9,7 ↓  
 12: 9,3 →  
 13: 4,0 ←  
 14: 1,3 →  
 15: 5,6 ↓  
 16: 2,4 ←  
 17: 5,9 ↓  
 18: 8,5 ↓  
 19: 3,1 ↗  
 20: 3,9 ↓

Serie 49,0

Totalt 110,0

60 shot

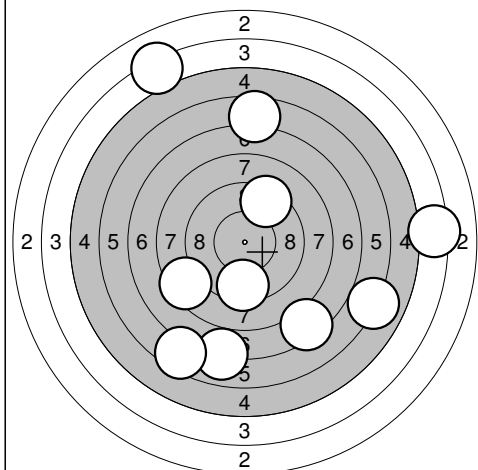


21: 8,4 ←  
 22: 4,0 ←  
 23: 8,1 ↓  
 24: 9,3 ↑  
 25: 5,4 ↓  
 26: 3,5 ↓  
 27: 8,2 ↗  
 28: 8,6 ↓  
 29: 8,8 ←  
 30: 7,3 ↓

Serie 68,0

Totalt 178,0

60 shot

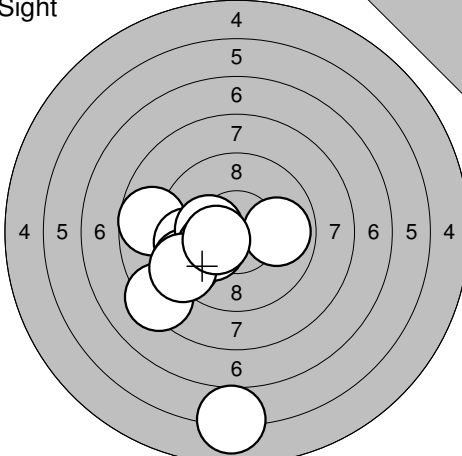
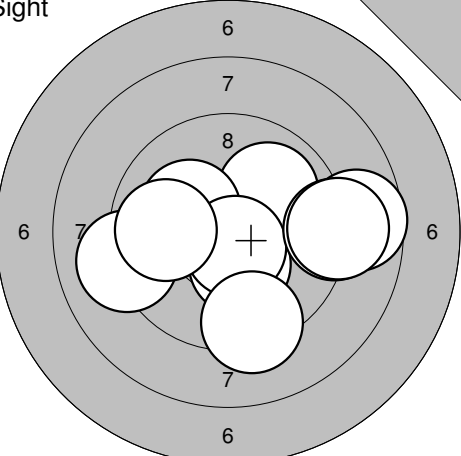


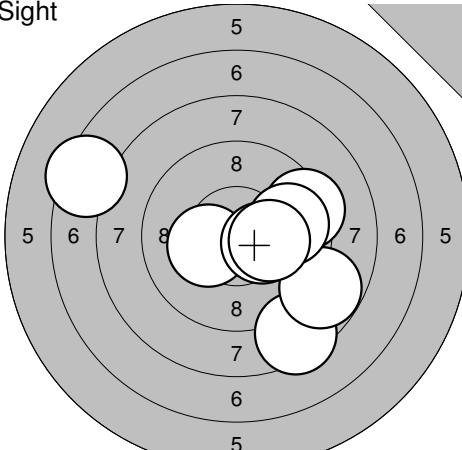
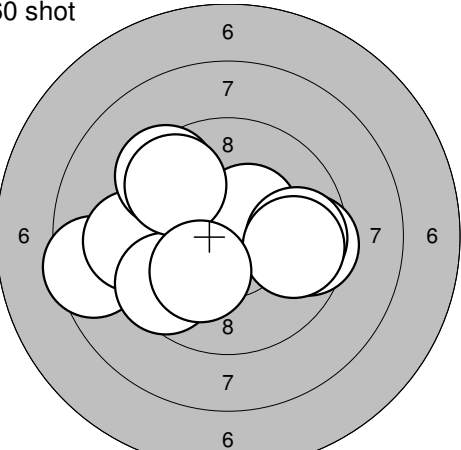
31: 9,4 ↓  
 32: 9,3 ↗  
 33: 6,0 →  
 34: 4,2 ↗  
 35: 4,3 →  
 36: 6,6 ↑  
 37: 8,4 ↙  
 38: 7,0 ↓  
 39: 7,3 ↓  
 40: 6,5 ↓

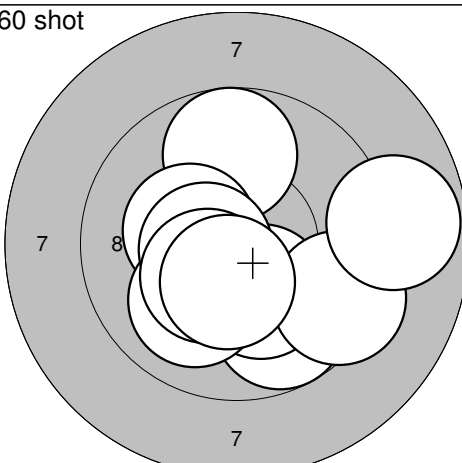
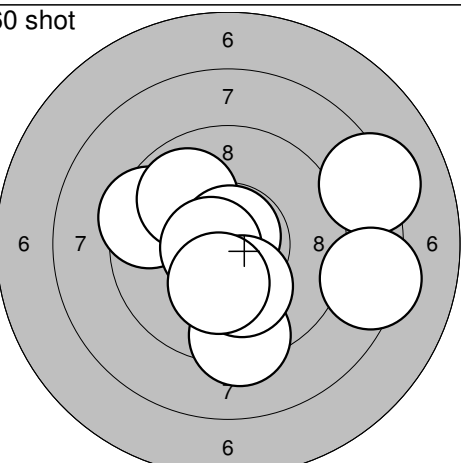
Serie 66,0

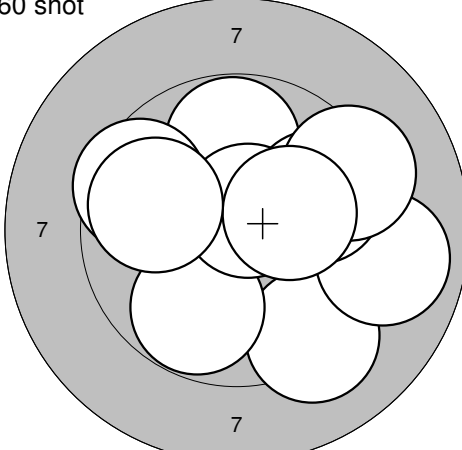
Totalt 244,0



<p>Sight</p> 	<p>1: 6,0 ↓                  2: 8,7 ←                  3: 9,6 ←                  4: 8,3 ↙                  5: 9,4 ←                  6: 10,2* ←                  7: 10,2* ←                  8: 9,9 →                  9: 9,3 ↙                  10: 10,4* ←</p> <p>Serie 88,0 Totalt 0,0</p>	<p>Sight</p> 	<p>11: 10,3* ↓                  12: 10,0 ↗                  13: 8,7 →                  14: 10,2* ↗                  15: 10,7* ↓                  16: 9,3 ↓                  17: 9,1 →                  18: 9,1 ←                  19: 9,9 ←                  20: 9,0 →</p> <p>Serie 93,0 Totalt 0,0</p>
---	---	---	---

<p>Sight</p> 	<p>21: 10,3* ←                  22: 9,4 →                  23: 10,4* →                  24: 8,4 ↘                  25: 8,8 ↘                  26: 9,8 →                  27: 7,4 ↖                  28: 10,2* →</p> <p>Serie 71,0 Totalt 0,0</p>	<p>60 shot</p> 	<p>1: 8,5 ←                  2: 9,5 →                  3: 9,3 ←                  4: 10,4* ↗                  5: 9,4 ↗                  6: 9,7 →                  7: 9,6 ↙                  8: 9,7 ↗                  9: 9,8 →                  10: 10,2* ↙</p> <p>Serie 91,0 Totalt 91,0</p>
--	--	--	--

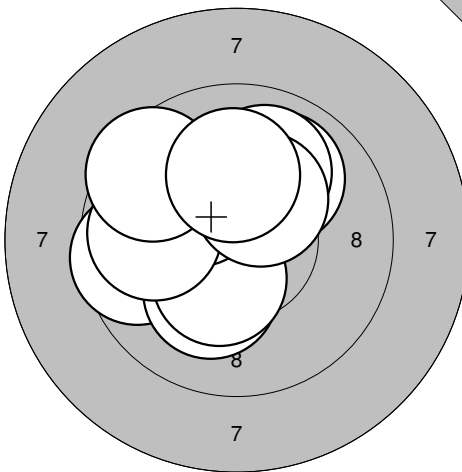
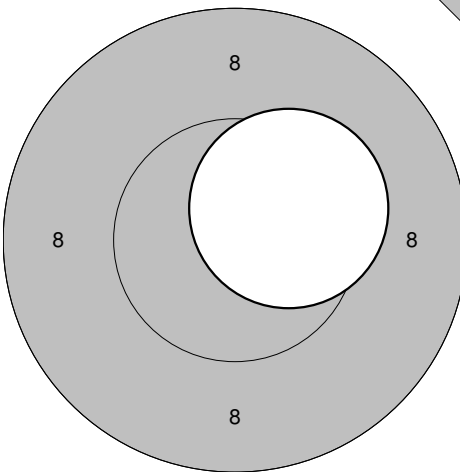
<p>60 shot</p> 	<p>11: 9,8 ↓                  12: 10,2* ↓                  13: 9,8 ↑                  14: 10,3* ←                  15: 10,0 ↓                  16: 9,4 ↓                  17: 10,5* ←                  18: 8,8 →                  19: 10,4* ↙                  20: 10,4* ↓</p> <p>Serie 95,0 Totalt 186,0</p>	<p>60 shot</p> 	<p>21: 9,5 ←                  22: 9,9 ↗                  23: 10,9* ↗                  24: 10,8* ↑                  25: 9,3 ↓                  26: 8,2 →                  27: 10,7* ←                  28: 8,4 →                  29: 10,2* ↓                  30: 10,2* ↓</p> <p>Serie 93,0 Totalt 279,0</p>
---	---	---	--

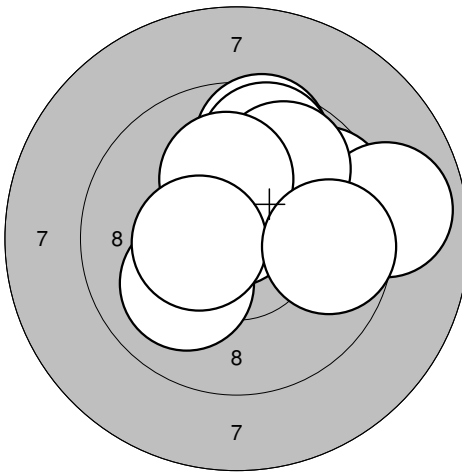
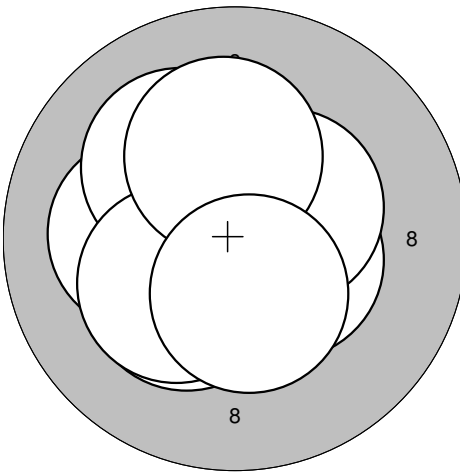
<p>60 shot</p> 	<p>31: 9,8 ↑                  32: 9,2 ↓                  33: 9,8 ↓                  34: 9,0 →                  35: 9,8 →                  36: 9,3 →                  37: 9,5 ↖                  38: 10,6* ↗                  39: 10,2* →                  40: 9,8 ←</p> <p>Serie 92,0 Totalt 371,0</p>		
---	--	--	--

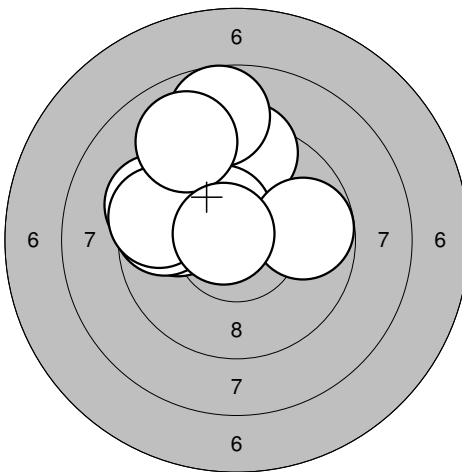
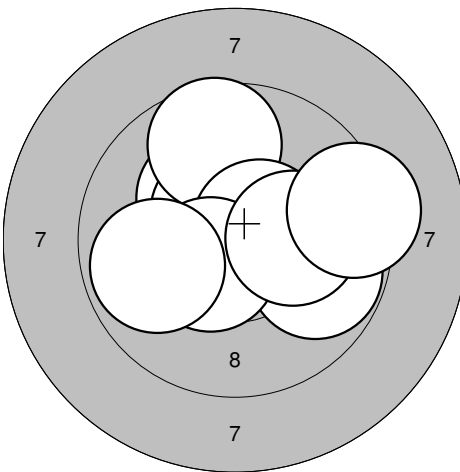
<p>Sight</p>	<p>60 shot</p>	
Serie 93,0	Serie 95,0	
Totalt 0,0	Totalt 95,0	

<p>60 shot</p>	<p>60 shot</p>	
Serie 92,0	Serie 95,0	
Totalt 187,0	Totalt 282,0	

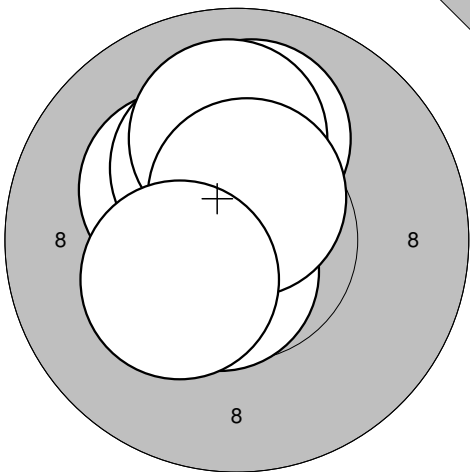
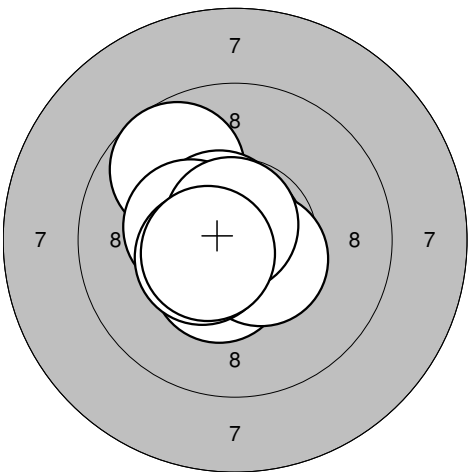
<p>60 shot</p>		
Serie 92,0		
Totalt 374,0		

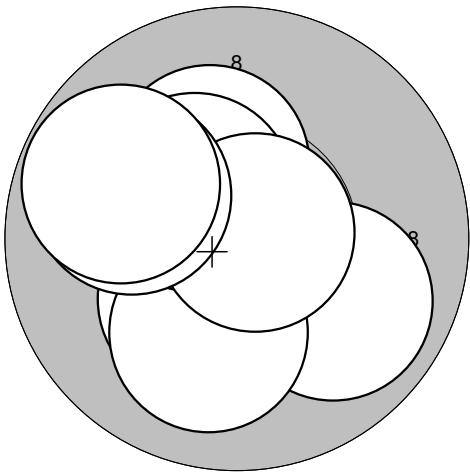
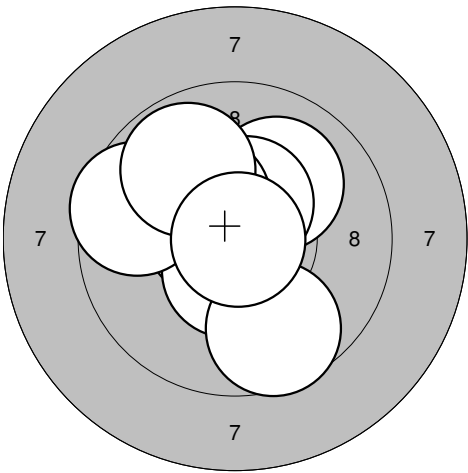
<p>Sight</p> 	<p>1: 10,0 ↗                  2: 9,6 ←                  3: 10,2* ↓                  4: 10,4* ↓                  5: 10,2* ↗                  6: 10,0 ↗                  7: 9,8 ←                  8: 10,3* ↗                  9: 9,5 ↗                  10: 10,1 ↑</p> <table border="1" style="width:100%; border-collapse: collapse;"> <tr><td>Serie</td><td style="text-align: right;">97,0</td></tr> <tr><td>Totalt</td><td style="text-align: right;">0,0</td></tr> </table>	Serie	97,0	Totalt	0,0	<p>Sight</p> 	<p>11: 10,4* ↗</p> <table border="1" style="width:100%; border-collapse: collapse;"> <tr><td>Serie</td><td style="text-align: right;">10,0</td></tr> <tr><td>Totalt</td><td style="text-align: right;">0,0</td></tr> </table>	Serie	10,0	Totalt	0,0
Serie	97,0										
Totalt	0,0										
Serie	10,0										
Totalt	0,0										

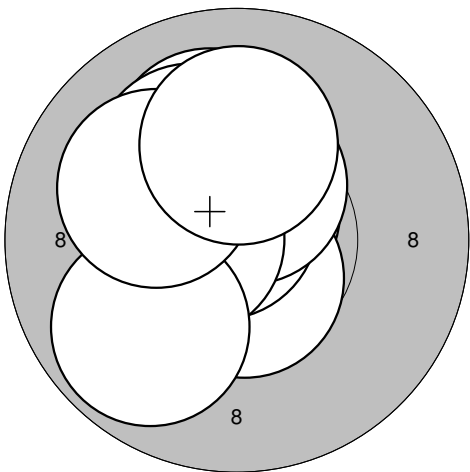
<p>60 shot</p> 	<p>1: 10,1 ↙                  2: 9,7 ↗                  3: 9,6 ↑                  4: 8,9 →                  5: 9,7 ↑                  6: 9,8 ↗                  7: 10,7* ↑                  8: 10,1 ↑                  9: 10,5* ←                  10: 9,7 →</p> <table border="1" style="width:100%; border-collapse: collapse;"> <tr><td>Serie</td><td style="text-align: right;">93,0</td></tr> <tr><td>Totalt</td><td style="text-align: right;">93,0</td></tr> </table>	Serie	93,0	Totalt	93,0	<p>60 shot</p> 	<p>11: 10,6* ➤                  12: 10,6* ↗                  13: 10,3* ↓                  14: 10,2* ←                  15: 10,5* ➤                  16: 10,1 ↗                  17: 10,4* ↗                  18: 10,3* ↙                  19: 10,2* ↑                  20: 10,4* ↓</p> <table border="1" style="width:100%; border-collapse: collapse;"> <tr><td>Serie</td><td style="text-align: right;">100,0</td></tr> <tr><td>Totalt</td><td style="text-align: right;">193,0</td></tr> </table>	Serie	100,0	Totalt	193,0
Serie	93,0										
Totalt	93,0										
Serie	100,0										
Totalt	193,0										

<p>60 shot</p> 	<p>21: 9,4 ↙                  22: 9,4 ↑                  23: 9,9 ←                  24: 8,7 ↑                  25: 10,5* ↗                  26: 9,8 →                  27: 9,6 ←                  28: 9,5 ←                  29: 9,0 ↑                  30: 10,7* ↙</p> <table border="1" style="width:100%; border-collapse: collapse;"> <tr><td>Serie</td><td style="text-align: right;">91,0</td></tr> <tr><td>Totalt</td><td style="text-align: right;">284,0</td></tr> </table>	Serie	91,0	Totalt	284,0	<p>60 shot</p> 	<p>31: 10,3* ↑                  32: 9,8 ➤                  33: 10,3* ↗                  34: 10,5* ↗                  35: 9,7 ↑                  36: 10,6* ↗                  37: 10,5* ↙                  38: 10,2* →                  39: 9,9 ←                  40: 9,3 →</p> <table border="1" style="width:100%; border-collapse: collapse;"> <tr><td>Serie</td><td style="text-align: right;">96,0</td></tr> <tr><td>Totalt</td><td style="text-align: right;">380,0</td></tr> </table>	Serie	96,0	Totalt	380,0
Serie	91,0										
Totalt	284,0										
Serie	96,0										
Totalt	380,0										

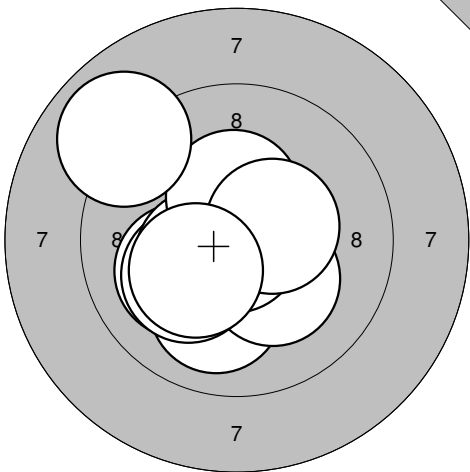
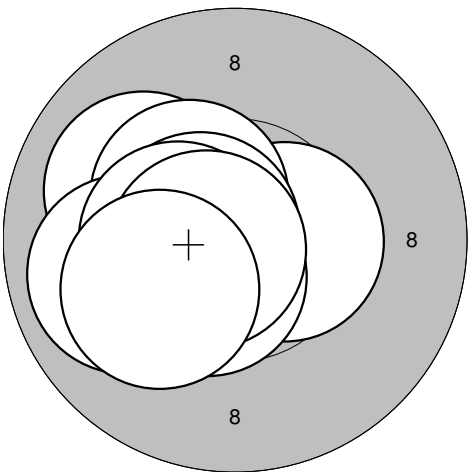


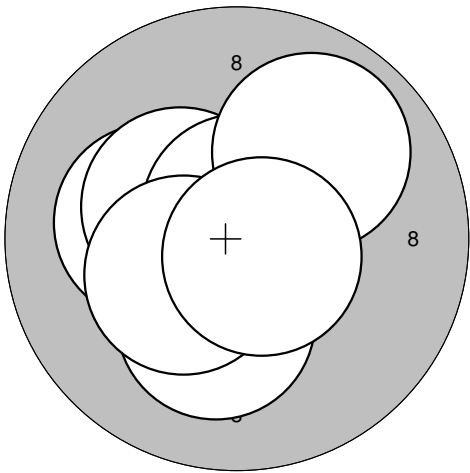
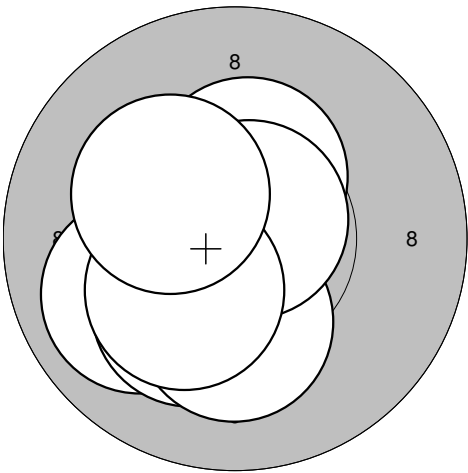
<p>Sight</p> 	<p>60 shot</p> 	
<p>1: 10,0 ↑</p> <p>2: 10,3* ↖</p> <p>3: 10,3* ↑</p> <p>4: 10,0 ↑</p> <p>5: 10,6* ↓</p> <p>6: 10,6* ↑</p> <p>7: 10,3* ↙</p>	<p>1: 9,7 ↗</p> <p>2: 10,6* ↖</p> <p>3: 10,4* ↓</p> <p>4: 10,9* ↑</p> <p>5: 10,7* ↖</p> <p>6: 10,3* ↖</p> <p>7: 10,5* ↘</p> <p>8: 10,5* ↖</p> <p>9: 10,7* ↑</p> <p>10: 10,6* ↖</p>	
Serie 70,0	Serie 99,0	
Totalt 0,0	Totalt 99,0	

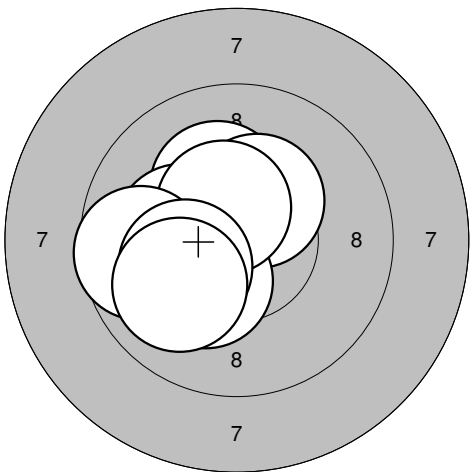
<p>60 shot</p> 	<p>60 shot</p> 	
<p>11: 10,2* ↑</p> <p>12: 10,2* ↓</p> <p>13: 10,3* ↙</p> <p>14: 10,4* ↓</p> <p>15: 9,9 ↘</p> <p>16: 10,1 ↓</p> <p>17: 10,4* ↑</p> <p>18: 10,8* →</p> <p>19: 9,9 ↖</p> <p>20: 9,8 ↖</p>	<p>21: 10,0 ↗</p> <p>22: 10,7* ↑</p> <p>23: 10,6* ↖</p> <p>24: 10,5* ↓</p> <p>25: 10,5* ↑</p> <p>26: 10,3* ↗</p> <p>27: 9,6 ↓</p> <p>28: 9,6 ↖</p> <p>29: 9,8 ↗</p> <p>30: 10,9* →</p>	
Serie 97,0	Serie 97,0	
Totalt 196,0	Totalt 293,0	

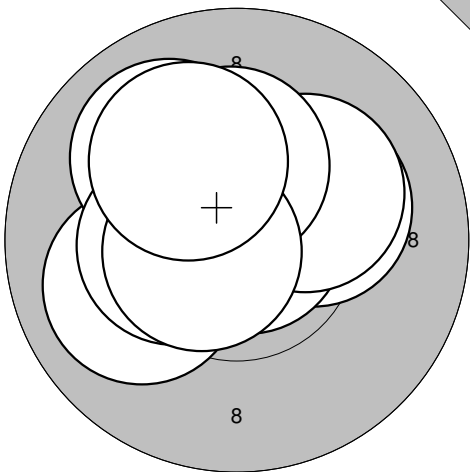
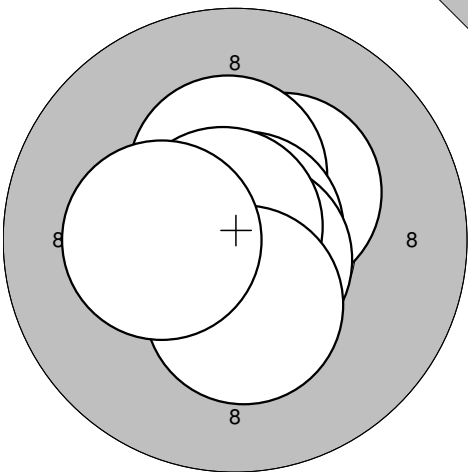
<p>60 shot</p> 		
<p>31: 10,7* ↑</p> <p>32: 10,6* ↓</p> <p>33: 10,7* ↖</p> <p>34: 10,1 ↑</p> <p>35: 10,4* ↑</p> <p>36: 10,1 ↖</p> <p>37: 10,5* ↖</p> <p>38: 9,8 ↙</p> <p>39: 10,1 ↖</p> <p>40: 10,1 ↑</p>		
Serie 99,0		
Totalt 392,0		

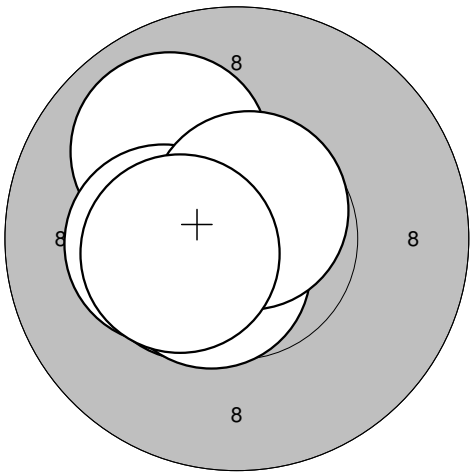
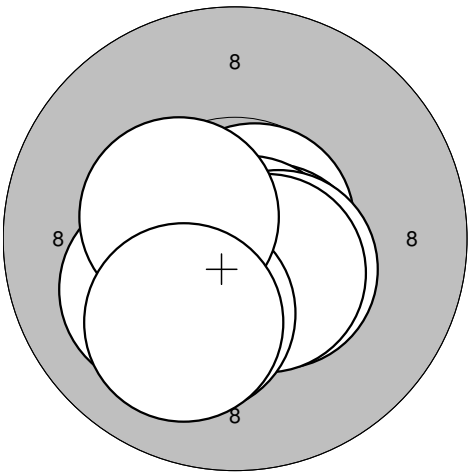


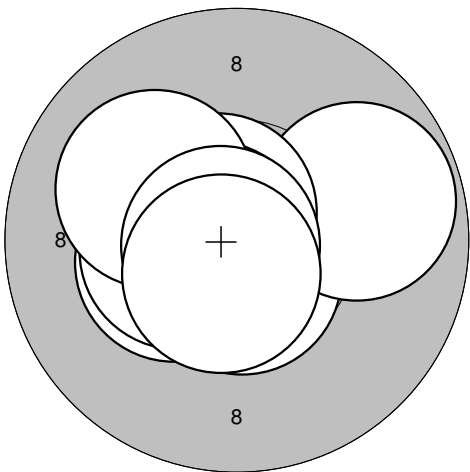
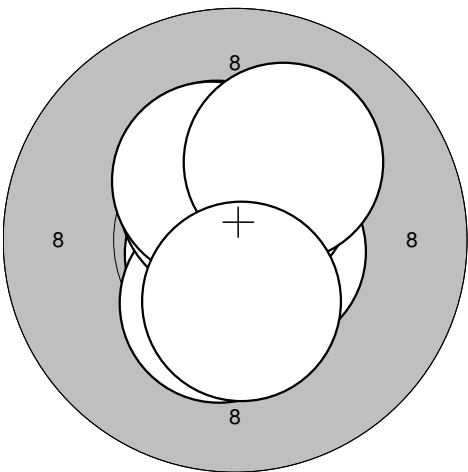
<p>Sight</p> 	<p>60 shot</p> <table style="width: 100%; border-collapse: collapse;"> <tr><td>1: 10,1</td><td>↙</td></tr> <tr><td>2: 10,0</td><td>↓</td></tr> <tr><td>3: 10,2*</td><td>↘</td></tr> <tr><td>4: 10,9*</td><td>↓</td></tr> <tr><td>5: 10,2*</td><td>↙</td></tr> <tr><td>6: 10,5*</td><td>↙</td></tr> <tr><td>7: 10,4*</td><td>↑</td></tr> <tr><td>8: 8,9</td><td>↗</td></tr> <tr><td>9: 10,4*</td><td>→</td></tr> <tr><td>10: 10,3*</td><td>↙</td></tr> <tr><td colspan="2"><hr/></td></tr> <tr><td>Serie</td><td style="text-align: right;">98,0</td></tr> <tr><td colspan="2"><hr/></td></tr> <tr><td>Totalt</td><td style="text-align: right;">0,0</td></tr> </table>	1: 10,1	↙	2: 10,0	↓	3: 10,2*	↘	4: 10,9*	↓	5: 10,2*	↙	6: 10,5*	↙	7: 10,4*	↑	8: 8,9	↗	9: 10,4*	→	10: 10,3*	↙	<hr/>		Serie	98,0	<hr/>		Totalt	0,0	 <table style="width: 100%; border-collapse: collapse;"> <tr><td>1: 10,0</td><td>↙</td></tr> <tr><td>2: 10,5*</td><td>→</td></tr> <tr><td>3: 10,4*</td><td>↖</td></tr> <tr><td>4: 10,5*</td><td>↙</td></tr> <tr><td>5: 9,9</td><td>↙</td></tr> <tr><td>6: 10,6*</td><td>↙</td></tr> <tr><td>7: 10,4*</td><td>↙</td></tr> <tr><td>8: 10,5*</td><td>↘</td></tr> <tr><td>9: 10,7*</td><td>↙</td></tr> <tr><td>10: 10,1</td><td>↙</td></tr> <tr><td colspan="2"><hr/></td></tr> <tr><td>Serie</td><td style="text-align: right;">99,0</td></tr> <tr><td colspan="2"><hr/></td></tr> <tr><td>Totalt</td><td style="text-align: right;">99,0</td></tr> </table>	1: 10,0	↙	2: 10,5*	→	3: 10,4*	↖	4: 10,5*	↙	5: 9,9	↙	6: 10,6*	↙	7: 10,4*	↙	8: 10,5*	↘	9: 10,7*	↙	10: 10,1	↙	<hr/>		Serie	99,0	<hr/>		Totalt	99,0
1: 10,1	↙																																																									
2: 10,0	↓																																																									
3: 10,2*	↘																																																									
4: 10,9*	↓																																																									
5: 10,2*	↙																																																									
6: 10,5*	↙																																																									
7: 10,4*	↑																																																									
8: 8,9	↗																																																									
9: 10,4*	→																																																									
10: 10,3*	↙																																																									
<hr/>																																																										
Serie	98,0																																																									
<hr/>																																																										
Totalt	0,0																																																									
1: 10,0	↙																																																									
2: 10,5*	→																																																									
3: 10,4*	↖																																																									
4: 10,5*	↙																																																									
5: 9,9	↙																																																									
6: 10,6*	↙																																																									
7: 10,4*	↙																																																									
8: 10,5*	↘																																																									
9: 10,7*	↙																																																									
10: 10,1	↙																																																									
<hr/>																																																										
Serie	99,0																																																									
<hr/>																																																										
Totalt	99,0																																																									

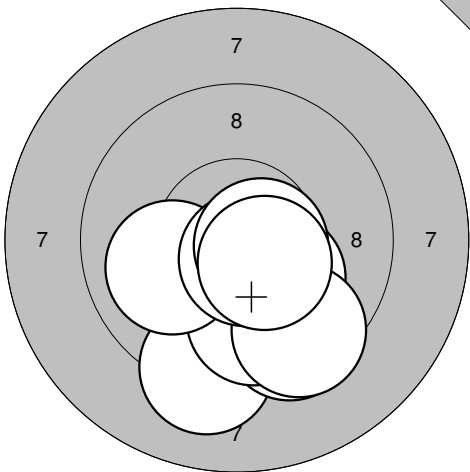
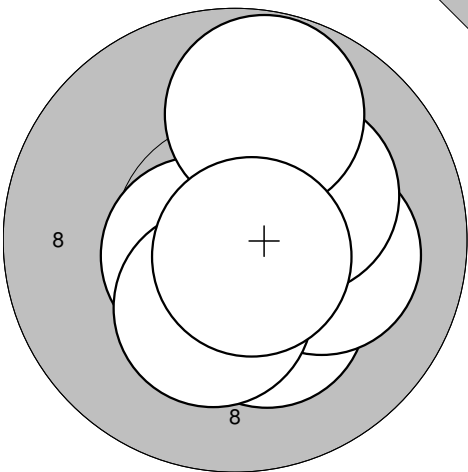
<p>60 shot</p> 	<p>60 shot</p> <table style="width: 100%; border-collapse: collapse;"> <tr><td>11: 10,2*</td><td>↙</td></tr> <tr><td>12: 10,8*</td><td>↙</td></tr> <tr><td>13: 10,8*</td><td>↙</td></tr> <tr><td>14: 10,4*</td><td>↖</td></tr> <tr><td>15: 10,2*</td><td>↓</td></tr> <tr><td>16: 10,7*</td><td>↘</td></tr> <tr><td>17: 10,7*</td><td>↑</td></tr> <tr><td>18: 10,4*</td><td>↙</td></tr> <tr><td>19: 9,9</td><td>↗</td></tr> <tr><td>20: 10,7*</td><td>↘</td></tr> <tr><td colspan="2"><hr/></td></tr> <tr><td>Serie</td><td style="text-align: right;">99,0</td></tr> <tr><td colspan="2"><hr/></td></tr> <tr><td>Totalt</td><td style="text-align: right;">198,0</td></tr> </table>	11: 10,2*	↙	12: 10,8*	↙	13: 10,8*	↙	14: 10,4*	↖	15: 10,2*	↓	16: 10,7*	↘	17: 10,7*	↑	18: 10,4*	↙	19: 9,9	↗	20: 10,7*	↘	<hr/>		Serie	99,0	<hr/>		Totalt	198,0	 <table style="width: 100%; border-collapse: collapse;"> <tr><td>21: 10,5*</td><td>↙</td></tr> <tr><td>22: 10,0</td><td>↙</td></tr> <tr><td>23: 10,2*</td><td>↘</td></tr> <tr><td>24: 10,8*</td><td>↗</td></tr> <tr><td>25: 10,4*</td><td>↑</td></tr> <tr><td>26: 10,6*</td><td>↙</td></tr> <tr><td>27: 10,2*</td><td>↓</td></tr> <tr><td>28: 10,7*</td><td>↗</td></tr> <tr><td>29: 10,3*</td><td>↘</td></tr> <tr><td>30: 10,2*</td><td>↖</td></tr> <tr><td colspan="2"><hr/></td></tr> <tr><td>Serie</td><td style="text-align: right;">100,0</td></tr> <tr><td colspan="2"><hr/></td></tr> <tr><td>Totalt</td><td style="text-align: right;">298,0</td></tr> </table>	21: 10,5*	↙	22: 10,0	↙	23: 10,2*	↘	24: 10,8*	↗	25: 10,4*	↑	26: 10,6*	↙	27: 10,2*	↓	28: 10,7*	↗	29: 10,3*	↘	30: 10,2*	↖	<hr/>		Serie	100,0	<hr/>		Totalt	298,0
11: 10,2*	↙																																																									
12: 10,8*	↙																																																									
13: 10,8*	↙																																																									
14: 10,4*	↖																																																									
15: 10,2*	↓																																																									
16: 10,7*	↘																																																									
17: 10,7*	↑																																																									
18: 10,4*	↙																																																									
19: 9,9	↗																																																									
20: 10,7*	↘																																																									
<hr/>																																																										
Serie	99,0																																																									
<hr/>																																																										
Totalt	198,0																																																									
21: 10,5*	↙																																																									
22: 10,0	↙																																																									
23: 10,2*	↘																																																									
24: 10,8*	↗																																																									
25: 10,4*	↑																																																									
26: 10,6*	↙																																																									
27: 10,2*	↓																																																									
28: 10,7*	↗																																																									
29: 10,3*	↘																																																									
30: 10,2*	↖																																																									
<hr/>																																																										
Serie	100,0																																																									
<hr/>																																																										
Totalt	298,0																																																									

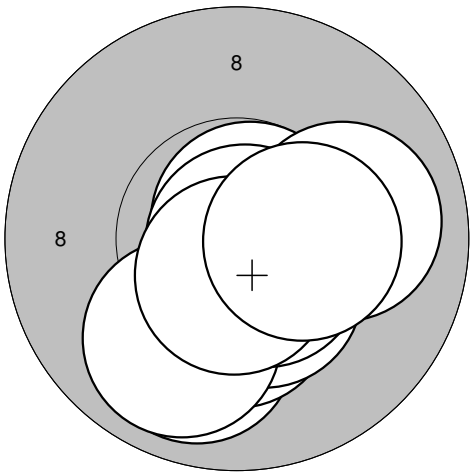
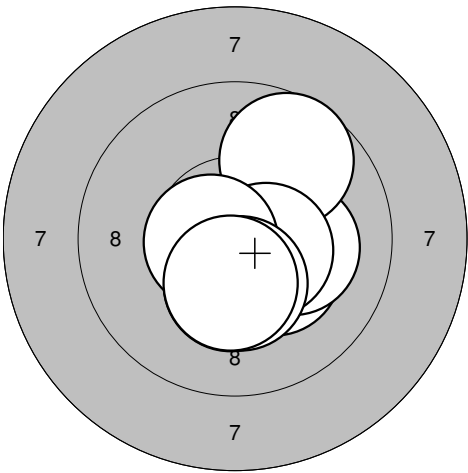
<p>60 shot</p> 	<table style="width: 100%; border-collapse: collapse;"> <tr><td>31: 10,3*</td><td>↙</td></tr> <tr><td>32: 10,2*</td><td>↗</td></tr> <tr><td>33: 10,4*</td><td>↗</td></tr> <tr><td>34: 10,2*</td><td>↙</td></tr> <tr><td>35: 10,3*</td><td>↙</td></tr> <tr><td>36: 10,3*</td><td>↙</td></tr> <tr><td>37: 10,5*</td><td>↗</td></tr> <tr><td>38: 9,7</td><td>↙</td></tr> <tr><td>39: 10,2*</td><td>↙</td></tr> <tr><td>40: 10,0</td><td>↙</td></tr> <tr><td colspan="2"><hr/></td></tr> <tr><td>Serie</td><td style="text-align: right;">99,0</td></tr> <tr><td colspan="2"><hr/></td></tr> <tr><td>Totalt</td><td style="text-align: right;">397,0</td></tr> </table>	31: 10,3*	↙	32: 10,2*	↗	33: 10,4*	↗	34: 10,2*	↙	35: 10,3*	↙	36: 10,3*	↙	37: 10,5*	↗	38: 9,7	↙	39: 10,2*	↙	40: 10,0	↙	<hr/>		Serie	99,0	<hr/>		Totalt	397,0	
31: 10,3*	↙																													
32: 10,2*	↗																													
33: 10,4*	↗																													
34: 10,2*	↙																													
35: 10,3*	↙																													
36: 10,3*	↙																													
37: 10,5*	↗																													
38: 9,7	↙																													
39: 10,2*	↙																													
40: 10,0	↙																													
<hr/>																														
Serie	99,0																													
<hr/>																														
Totalt	397,0																													

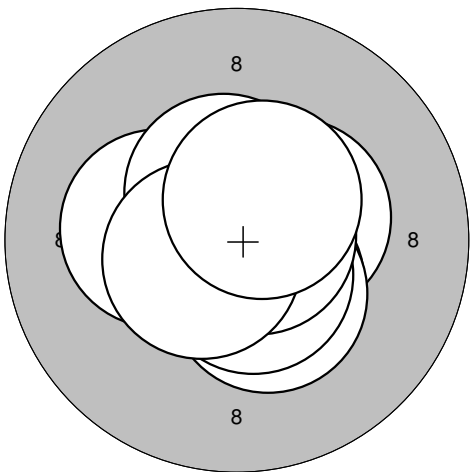
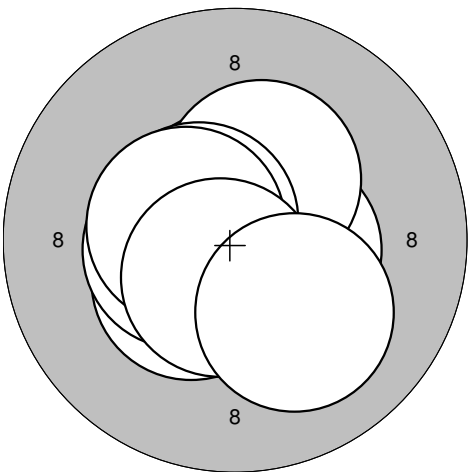
Sight 	Sight 	
1: 10,2* → 2: 10,8* → 3: 10,0 ← 4: 10,2* ↑ 5: 10,0 ↑ 6: 10,2* → 7: 10,3* ↑ 8: 10,4* ← 9: 10,6* ← 10: 10,1 ↑	11: 10,6* ↑ 12: 10,3* ↗ 13: 10,4* ↑ 14: 10,8* ↗ 15: 10,7* ↘ 16: 10,8* ↗ 17: 10,4* ↓ 18: 10,3* ←	
Serie 100,0	Serie 80,0	
Totalt 0,0	Totalt 0,0	

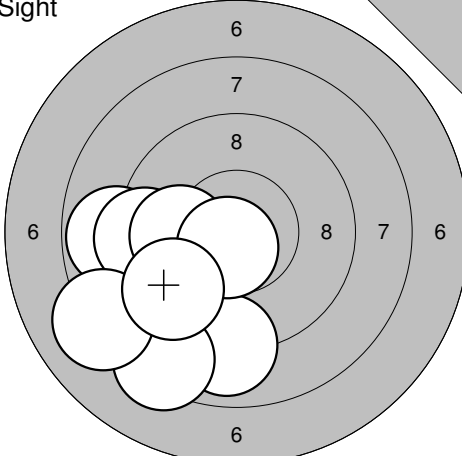
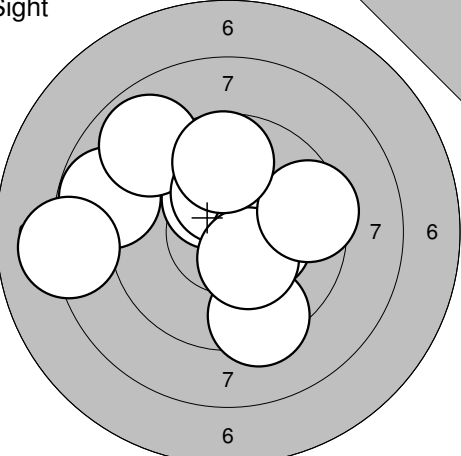
60 shot 	60 shot 	
1: 10,6* ← 2: 10,5* ↗ 3: 10,5* ← 4: 10,3* ↗ 5: 10,6* ↗ 6: 10,6* ↘ 7: 10,0 ↑ 8: 10,3* ← 9: 10,7* ↑ 10: 10,4* ←	11: 10,7* ↗ 12: 10,6* ↘ 13: 10,8* ↘ 14: 10,4* ← 15: 10,1 ← 16: 10,5* ↘ 17: 10,5* ↘ 18: 10,2* ↓ 19: 10,4* ← 20: 10,1 ↓	
Serie 100,0	Serie 100,0	
Totalt 100,0	Totalt 200,0	

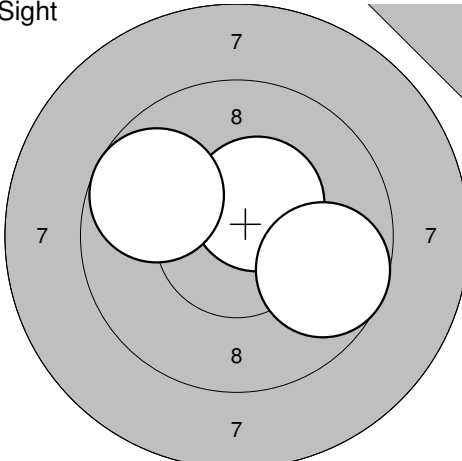
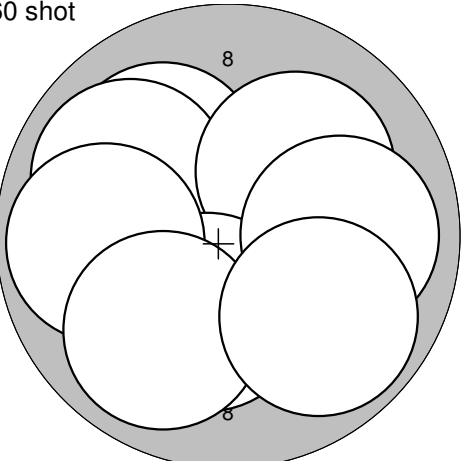
60 shot 	60 shot 	
21: 10,6* ↓ 22: 10,7* ↓ 23: 10,4* ← 24: 9,8 → 25: 10,7* ↗ 26: 10,4* ← 27: 10,7* ← 28: 10,1 ↗ 29: 10,8* ← 30: 10,6* ↓	31: 10,6* → 32: 10,8* ↘ 33: 10,5* ↑ 34: 10,4* ↓ 35: 10,5* ↑ 36: 10,4* ↑ 37: 10,5* ↗ 38: 10,4* ↗ 39: 10,1 ↗ 40: 10,4* ↓	
Serie 99,0	Serie 100,0	
Totalt 299,0	Totalt 399,0	

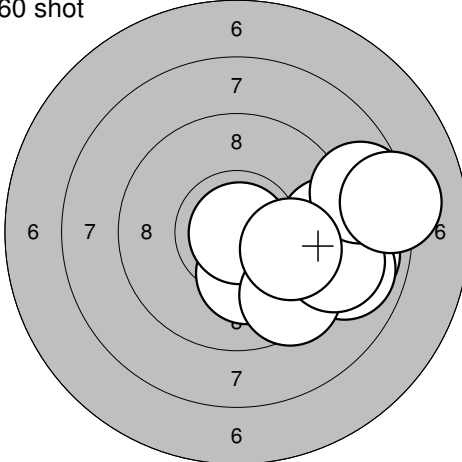
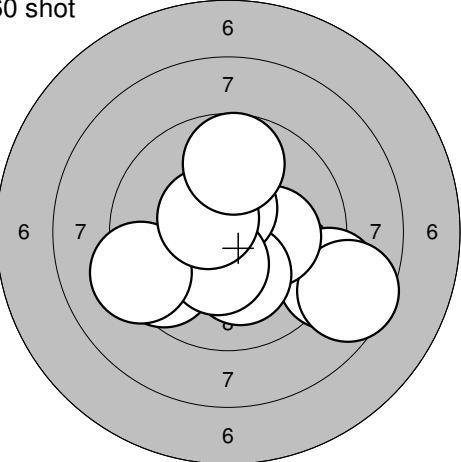
<p>Sight</p>  <table border="1" style="width:100%; border-collapse: collapse;"> <tr><td>1: 10,1</td><td>↓</td></tr> <tr><td>2: 9,2</td><td>↓</td></tr> <tr><td>3: 10,2*</td><td>↓</td></tr> <tr><td>4: 9,5</td><td>↓</td></tr> <tr><td>5: 9,9</td><td>↓</td></tr> <tr><td>6: 9,5</td><td>↓</td></tr> <tr><td>7: 10,0</td><td>←</td></tr> <tr><td>8: 10,7*</td><td>↓</td></tr> <tr><td>9: 10,6*</td><td>→</td></tr> <tr><td>10: 10,5*</td><td>↓</td></tr> <tr><td>Serie</td><td>96,0</td></tr> <tr><td>Totalt</td><td>0,0</td></tr> </table>	1: 10,1	↓	2: 9,2	↓	3: 10,2*	↓	4: 9,5	↓	5: 9,9	↓	6: 9,5	↓	7: 10,0	←	8: 10,7*	↓	9: 10,6*	→	10: 10,5*	↓	Serie	96,0	Totalt	0,0	<p>Sight</p>  <table border="1" style="width:100%; border-collapse: collapse;"> <tr><td>11: 10,4*</td><td>→</td></tr> <tr><td>12: 10,6*</td><td>←</td></tr> <tr><td>13: 10,3*</td><td>↓</td></tr> <tr><td>14: 10,2*</td><td>→</td></tr> <tr><td>15: 10,2*</td><td>↗</td></tr> <tr><td>16: 10,3*</td><td>↓</td></tr> <tr><td>17: 9,8</td><td>↑</td></tr> <tr><td>18: 10,7*</td><td>↓</td></tr> <tr><td>Serie</td><td>79,0</td></tr> <tr><td>Totalt</td><td>0,0</td></tr> </table>	11: 10,4*	→	12: 10,6*	←	13: 10,3*	↓	14: 10,2*	→	15: 10,2*	↗	16: 10,3*	↓	17: 9,8	↑	18: 10,7*	↓	Serie	79,0	Totalt	0,0
1: 10,1	↓																																												
2: 9,2	↓																																												
3: 10,2*	↓																																												
4: 9,5	↓																																												
5: 9,9	↓																																												
6: 9,5	↓																																												
7: 10,0	←																																												
8: 10,7*	↓																																												
9: 10,6*	→																																												
10: 10,5*	↓																																												
Serie	96,0																																												
Totalt	0,0																																												
11: 10,4*	→																																												
12: 10,6*	←																																												
13: 10,3*	↓																																												
14: 10,2*	→																																												
15: 10,2*	↗																																												
16: 10,3*	↓																																												
17: 9,8	↑																																												
18: 10,7*	↓																																												
Serie	79,0																																												
Totalt	0,0																																												

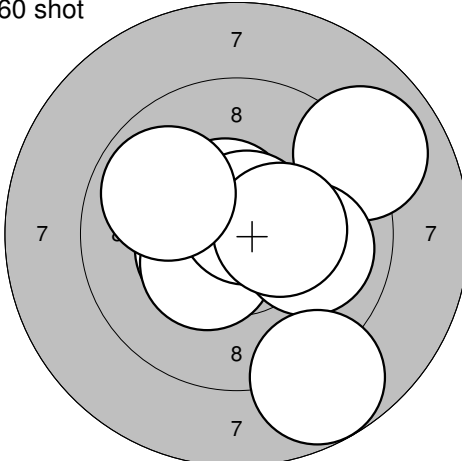
<p>60 shot</p>  <table border="1" style="width:100%; border-collapse: collapse;"> <tr><td>1: 9,9</td><td>↓</td></tr> <tr><td>2: 10,3*</td><td>↓</td></tr> <tr><td>3: 10,4*</td><td>↓</td></tr> <tr><td>4: 9,9</td><td>↓</td></tr> <tr><td>5: 10,8*</td><td>↗</td></tr> <tr><td>6: 10,0</td><td>→</td></tr> <tr><td>7: 10,6*</td><td>↓</td></tr> <tr><td>8: 10,9*</td><td>↓</td></tr> <tr><td>9: 10,6*</td><td>↓</td></tr> <tr><td>10: 10,4*</td><td>→</td></tr> <tr><td>Serie</td><td>98,0</td></tr> <tr><td>Totalt</td><td>98,0</td></tr> </table>	1: 9,9	↓	2: 10,3*	↓	3: 10,4*	↓	4: 9,9	↓	5: 10,8*	↗	6: 10,0	→	7: 10,6*	↓	8: 10,9*	↓	9: 10,6*	↓	10: 10,4*	→	Serie	98,0	Totalt	98,0	<p>60 shot</p>  <table border="1" style="width:100%; border-collapse: collapse;"> <tr><td>11: 10,5*</td><td>↓</td></tr> <tr><td>12: 10,3*</td><td>↓</td></tr> <tr><td>13: 10,2*</td><td>→</td></tr> <tr><td>14: 10,5*</td><td>↘</td></tr> <tr><td>15: 10,3*</td><td>↓</td></tr> <tr><td>16: 9,7</td><td>↗</td></tr> <tr><td>17: 10,5*</td><td>→</td></tr> <tr><td>18: 10,6*</td><td>←</td></tr> <tr><td>19: 10,3*</td><td>↓</td></tr> <tr><td>20: 10,4*</td><td>↓</td></tr> <tr><td>Serie</td><td>99,0</td></tr> <tr><td>Totalt</td><td>197,0</td></tr> </table>	11: 10,5*	↓	12: 10,3*	↓	13: 10,2*	→	14: 10,5*	↘	15: 10,3*	↓	16: 9,7	↗	17: 10,5*	→	18: 10,6*	←	19: 10,3*	↓	20: 10,4*	↓	Serie	99,0	Totalt	197,0
1: 9,9	↓																																																
2: 10,3*	↓																																																
3: 10,4*	↓																																																
4: 9,9	↓																																																
5: 10,8*	↗																																																
6: 10,0	→																																																
7: 10,6*	↓																																																
8: 10,9*	↓																																																
9: 10,6*	↓																																																
10: 10,4*	→																																																
Serie	98,0																																																
Totalt	98,0																																																
11: 10,5*	↓																																																
12: 10,3*	↓																																																
13: 10,2*	→																																																
14: 10,5*	↘																																																
15: 10,3*	↓																																																
16: 9,7	↗																																																
17: 10,5*	→																																																
18: 10,6*	←																																																
19: 10,3*	↓																																																
20: 10,4*	↓																																																
Serie	99,0																																																
Totalt	197,0																																																

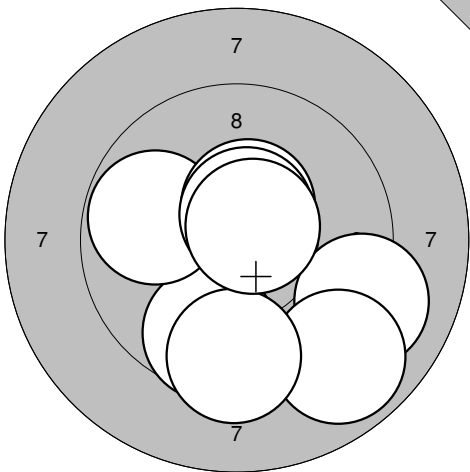
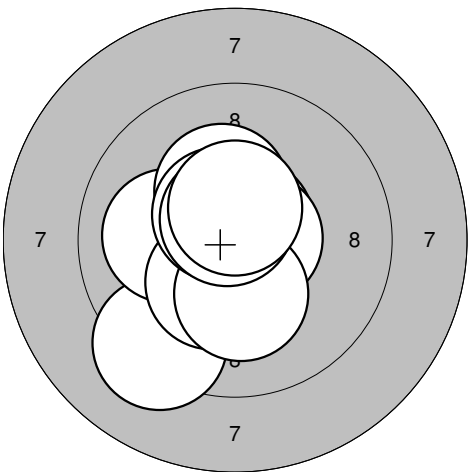
<p>60 shot</p>  <table border="1" style="width:100%; border-collapse: collapse;"> <tr><td>21: 10,4*</td><td>→</td></tr> <tr><td>22: 10,5*</td><td>↓</td></tr> <tr><td>23: 10,2*</td><td>←</td></tr> <tr><td>24: 10,4*</td><td>↓</td></tr> <tr><td>25: 10,8*</td><td>↗</td></tr> <tr><td>26: 10,5*</td><td>↑</td></tr> <tr><td>27: 10,6*</td><td>↓</td></tr> <tr><td>28: 10,8*</td><td>→</td></tr> <tr><td>29: 10,6*</td><td>←</td></tr> <tr><td>30: 10,5*</td><td>↗</td></tr> <tr><td>Serie</td><td>100,0</td></tr> <tr><td>Totalt</td><td>297,0</td></tr> </table>	21: 10,4*	→	22: 10,5*	↓	23: 10,2*	←	24: 10,4*	↓	25: 10,8*	↗	26: 10,5*	↑	27: 10,6*	↓	28: 10,8*	→	29: 10,6*	←	30: 10,5*	↗	Serie	100,0	Totalt	297,0	<p>60 shot</p>  <table border="1" style="width:100%; border-collapse: collapse;"> <tr><td>31: 10,8*</td><td>↘</td></tr> <tr><td>32: 10,5*</td><td>→</td></tr> <tr><td>33: 10,7*</td><td>↑</td></tr> <tr><td>34: 10,4*</td><td>←</td></tr> <tr><td>35: 10,4*</td><td>↗</td></tr> <tr><td>36: 10,6*</td><td>←</td></tr> <tr><td>37: 10,5*</td><td>←</td></tr> <tr><td>38: 10,5*</td><td>←</td></tr> <tr><td>39: 10,6*</td><td>↓</td></tr> <tr><td>40: 10,1</td><td>↓</td></tr> <tr><td>Serie</td><td>100,0</td></tr> <tr><td>Totalt</td><td>397,0</td></tr> </table>	31: 10,8*	↘	32: 10,5*	→	33: 10,7*	↑	34: 10,4*	←	35: 10,4*	↗	36: 10,6*	←	37: 10,5*	←	38: 10,5*	←	39: 10,6*	↓	40: 10,1	↓	Serie	100,0	Totalt	397,0
21: 10,4*	→																																																
22: 10,5*	↓																																																
23: 10,2*	←																																																
24: 10,4*	↓																																																
25: 10,8*	↗																																																
26: 10,5*	↑																																																
27: 10,6*	↓																																																
28: 10,8*	→																																																
29: 10,6*	←																																																
30: 10,5*	↗																																																
Serie	100,0																																																
Totalt	297,0																																																
31: 10,8*	↘																																																
32: 10,5*	→																																																
33: 10,7*	↑																																																
34: 10,4*	←																																																
35: 10,4*	↗																																																
36: 10,6*	←																																																
37: 10,5*	←																																																
38: 10,5*	←																																																
39: 10,6*	↓																																																
40: 10,1	↓																																																
Serie	100,0																																																
Totalt	397,0																																																

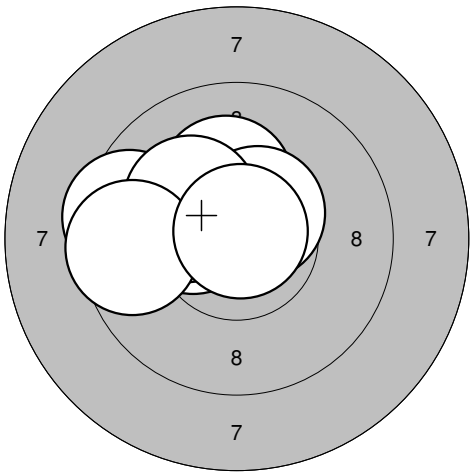
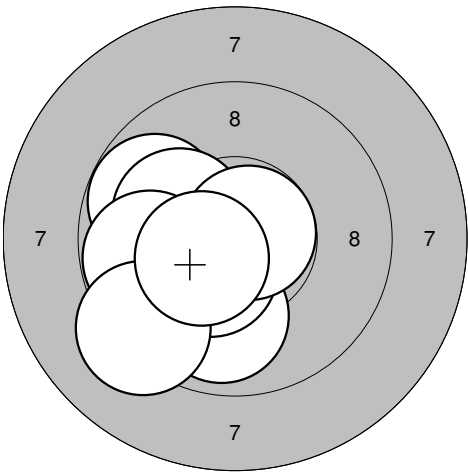
<p>Sight</p> 	<p>1: 8,9 ↓ 2: 8,8 ← 3: 9,4 ← 4: 8,7 ↙ 5: 9,3 ← 6: 8,4 ↓ 7: 10,0 ← 8: 8,1 ↙ 9: 10,6* ↓ 10: 9,4 ↙</p> <p>Serie 87,0 Totalt 0,0</p>	<p>Sight</p> 	<p>11: 8,8 ← 12: 9,4 ↓ 13: 10,3* ↑ 14: 8,9 ↗ 15: 10,3* ↑ 16: 8,1 ← 17: 10,3* → 18: 10,4* ↓ 19: 9,5 → 20: 9,7 ↑</p> <p>Serie 91,0 Totalt 0,0</p>
---	---	---	---

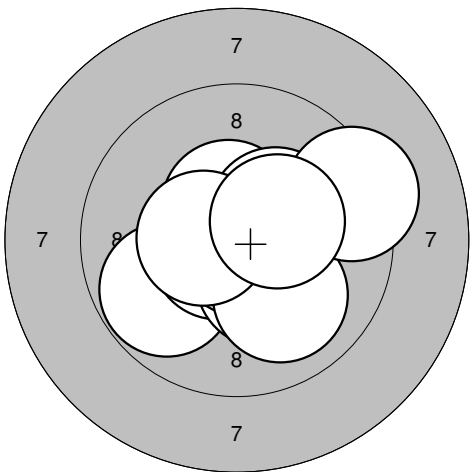
<p>Sight</p> 	<p>21: 10,4* ↗ 22: 9,7 → 23: 9,8 ↖</p> <p>Serie 28,0 Totalt 0,0</p>	<p>60 shot</p> 	<p>1: 10,1 ↗ 2: 10,3* → 3: 10,3* ← 4: 9,9 ↗ 5: 10,1 ↗ 6: 10,2* ↓ 7: 9,8 ← 8: 9,9 ↓ 9: 9,9 → 10: 9,9 ↓</p> <p>Serie 95,0 Totalt 95,0</p>
--	---	--	---

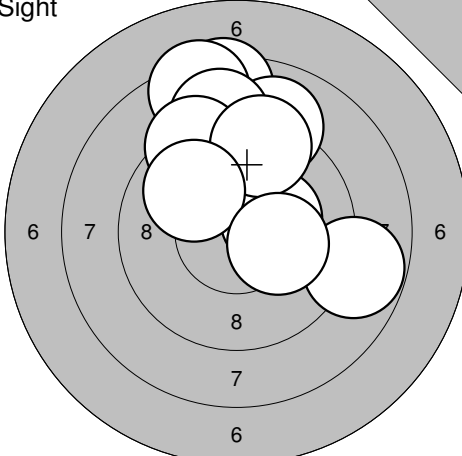
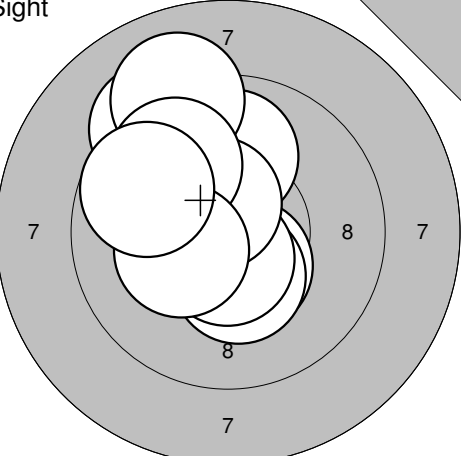
<p>60 shot</p> 	<p>11: 10,2* ↓ 12: 8,9 → 13: 8,9 → 14: 9,3 → 15: 10,9* ↓ 16: 9,5 ↓ 17: 9,2 → 18: 8,7 → 19: 8,2 → 20: 9,9 →</p> <p>Serie 88,0 Totalt 183,0</p>	<p>60 shot</p> 	<p>21: 9,0 → 22: 8,6 → 23: 10,2* → 24: 10,2* ↓ 25: 10,5* ↑ 26: 9,6 ↙ 27: 10,3* ↓ 28: 9,3 ← 29: 10,5* ↖ 30: 9,7 ↑</p> <p>Serie 94,0 Totalt 277,0</p>
---	---	---	---

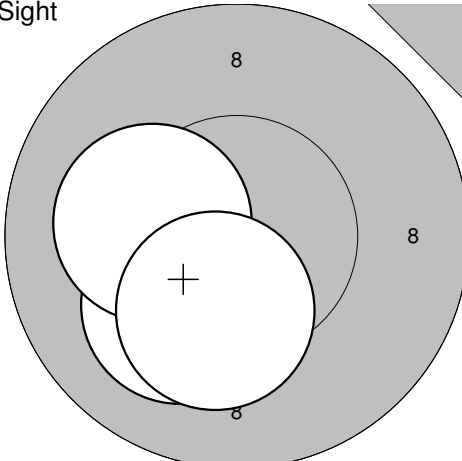
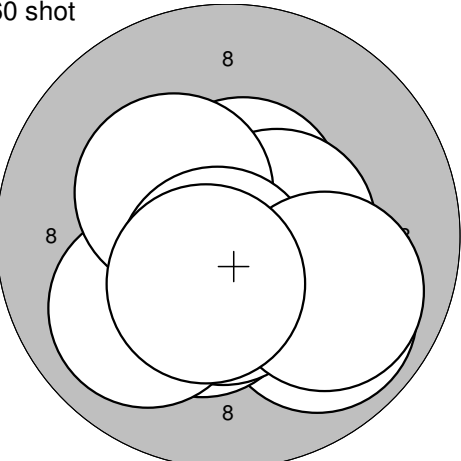
<p>60 shot</p> 	<p>31: 10,5* ← 32: 10,6* ← 33: 10,5* ↑ 34: 10,4* ↙ 35: 9,0 ↗ 36: 10,7* ↗ 37: 10,0 → 38: 10,4* → 39: 9,9 ↗ 40: 8,8 ↓</p> <p>Serie 96,0 Totalt 373,0</p>		
---	--	--	--

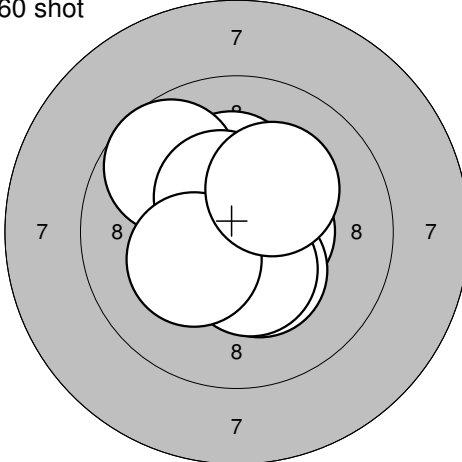
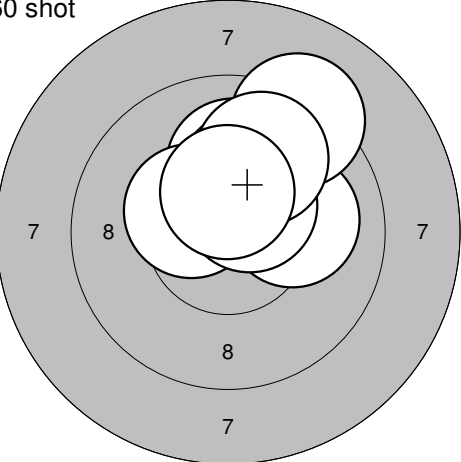
<p>Sight</p> 	<p>60 shot</p> <table style="width:100%;"> <tr><td>1: 9,1</td><td>↘</td></tr> <tr><td>2: 8,9</td><td>↘</td></tr> <tr><td>3: 9,7</td><td>↓</td></tr> <tr><td>4: 9,8</td><td>←</td></tr> <tr><td>5: 9,4</td><td>↓</td></tr> <tr><td>6: 10,5*</td><td>↑</td></tr> <tr><td>7: 10,6*</td><td>↑</td></tr> <tr><td>8: 10,7*</td><td>↗</td></tr> </table> <table style="width:100%; border-top: 1px solid black;"> <tr><td>Serie</td><td style="text-align: right;">74,0</td></tr> <tr><td>Totalt</td><td style="text-align: right;">0,0</td></tr> </table>	1: 9,1	↘	2: 8,9	↘	3: 9,7	↓	4: 9,8	←	5: 9,4	↓	6: 10,5*	↑	7: 10,6*	↑	8: 10,7*	↗	Serie	74,0	Totalt	0,0	 <table style="width:100%;"> <tr><td>1: 9,3</td><td>↘</td></tr> <tr><td>2: 10,7*</td><td>↗</td></tr> <tr><td>3: 10,7*</td><td>→</td></tr> <tr><td>4: 10,1</td><td>←</td></tr> <tr><td>5: 10,3*</td><td>↘</td></tr> <tr><td>6: 10,2*</td><td>↓</td></tr> <tr><td>7: 10,3*</td><td>↑</td></tr> <tr><td>8: 10,6*</td><td>↖</td></tr> <tr><td>9: 10,7*</td><td>↑</td></tr> <tr><td>10: 10,5*</td><td>↑</td></tr> </table> <table style="width:100%; border-top: 1px solid black;"> <tr><td>Serie</td><td style="text-align: right;">99,0</td></tr> <tr><td>Totalt</td><td style="text-align: right;">99,0</td></tr> </table>	1: 9,3	↘	2: 10,7*	↗	3: 10,7*	→	4: 10,1	←	5: 10,3*	↘	6: 10,2*	↓	7: 10,3*	↑	8: 10,6*	↖	9: 10,7*	↑	10: 10,5*	↑	Serie	99,0	Totalt	99,0
1: 9,1	↘																																													
2: 8,9	↘																																													
3: 9,7	↓																																													
4: 9,8	←																																													
5: 9,4	↓																																													
6: 10,5*	↑																																													
7: 10,6*	↑																																													
8: 10,7*	↗																																													
Serie	74,0																																													
Totalt	0,0																																													
1: 9,3	↘																																													
2: 10,7*	↗																																													
3: 10,7*	→																																													
4: 10,1	←																																													
5: 10,3*	↘																																													
6: 10,2*	↓																																													
7: 10,3*	↑																																													
8: 10,6*	↖																																													
9: 10,7*	↑																																													
10: 10,5*	↑																																													
Serie	99,0																																													
Totalt	99,0																																													

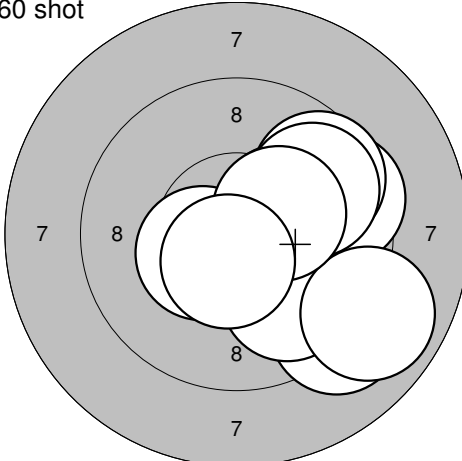
<p>60 shot</p> 	<p>60 shot</p> <table style="width:100%;"> <tr><td>11: 10,5*</td><td>↖</td></tr> <tr><td>12: 10,4*</td><td>←</td></tr> <tr><td>13: 10,2*</td><td>↖</td></tr> <tr><td>14: 10,4*</td><td>↑</td></tr> <tr><td>15: 10,2*</td><td>↑</td></tr> <tr><td>16: 10,5*</td><td>↗</td></tr> <tr><td>17: 9,5</td><td>←</td></tr> <tr><td>18: 10,2*</td><td>↖</td></tr> <tr><td>19: 9,6</td><td>←</td></tr> <tr><td>20: 10,8*</td><td>↗</td></tr> </table> <table style="width:100%; border-top: 1px solid black;"> <tr><td>Serie</td><td style="text-align: right;">98,0</td></tr> <tr><td>Totalt</td><td style="text-align: right;">197,0</td></tr> </table>	11: 10,5*	↖	12: 10,4*	←	13: 10,2*	↖	14: 10,4*	↑	15: 10,2*	↑	16: 10,5*	↗	17: 9,5	←	18: 10,2*	↖	19: 9,6	←	20: 10,8*	↗	Serie	98,0	Totalt	197,0	 <table style="width:100%;"> <tr><td>21: 9,8</td><td>↖</td></tr> <tr><td>22: 10,0</td><td>↘</td></tr> <tr><td>23: 10,2*</td><td>↖</td></tr> <tr><td>24: 10,2*</td><td>↖</td></tr> <tr><td>25: 9,9</td><td>↓</td></tr> <tr><td>26: 10,4*</td><td>↘</td></tr> <tr><td>27: 9,8</td><td>←</td></tr> <tr><td>28: 10,8*</td><td>↗</td></tr> <tr><td>29: 9,2</td><td>↘</td></tr> <tr><td>30: 10,4*</td><td>↖</td></tr> </table> <table style="width:100%; border-top: 1px solid black;"> <tr><td>Serie</td><td style="text-align: right;">96,0</td></tr> <tr><td>Totalt</td><td style="text-align: right;">293,0</td></tr> </table>	21: 9,8	↖	22: 10,0	↘	23: 10,2*	↖	24: 10,2*	↖	25: 9,9	↓	26: 10,4*	↘	27: 9,8	←	28: 10,8*	↗	29: 9,2	↘	30: 10,4*	↖	Serie	96,0	Totalt	293,0
11: 10,5*	↖																																																	
12: 10,4*	←																																																	
13: 10,2*	↖																																																	
14: 10,4*	↑																																																	
15: 10,2*	↑																																																	
16: 10,5*	↗																																																	
17: 9,5	←																																																	
18: 10,2*	↖																																																	
19: 9,6	←																																																	
20: 10,8*	↗																																																	
Serie	98,0																																																	
Totalt	197,0																																																	
21: 9,8	↖																																																	
22: 10,0	↘																																																	
23: 10,2*	↖																																																	
24: 10,2*	↖																																																	
25: 9,9	↓																																																	
26: 10,4*	↘																																																	
27: 9,8	←																																																	
28: 10,8*	↗																																																	
29: 9,2	↘																																																	
30: 10,4*	↖																																																	
Serie	96,0																																																	
Totalt	293,0																																																	

<p>60 shot</p> 	<table style="width:100%;"> <tr><td>31: 9,8</td><td>↖</td></tr> <tr><td>32: 10,7*</td><td>↖</td></tr> <tr><td>33: 10,3*</td><td>↘</td></tr> <tr><td>34: 10,5*</td><td>↑</td></tr> <tr><td>35: 10,3*</td><td>↗</td></tr> <tr><td>36: 10,8*</td><td>↘</td></tr> <tr><td>37: 10,0</td><td>↘</td></tr> <tr><td>38: 10,5*</td><td>←</td></tr> <tr><td>39: 9,3</td><td>→</td></tr> <tr><td>40: 10,4*</td><td>↗</td></tr> </table> <table style="width:100%; border-top: 1px solid black;"> <tr><td>Serie</td><td style="text-align: right;">98,0</td></tr> <tr><td>Totalt</td><td style="text-align: right;">391,0</td></tr> </table>	31: 9,8	↖	32: 10,7*	↖	33: 10,3*	↘	34: 10,5*	↑	35: 10,3*	↗	36: 10,8*	↘	37: 10,0	↘	38: 10,5*	←	39: 9,3	→	40: 10,4*	↗	Serie	98,0	Totalt	391,0	
31: 9,8	↖																									
32: 10,7*	↖																									
33: 10,3*	↘																									
34: 10,5*	↑																									
35: 10,3*	↗																									
36: 10,8*	↘																									
37: 10,0	↘																									
38: 10,5*	←																									
39: 9,3	→																									
40: 10,4*	↗																									
Serie	98,0																									
Totalt	391,0																									

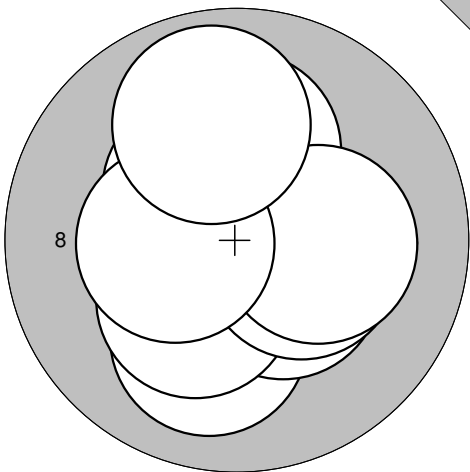
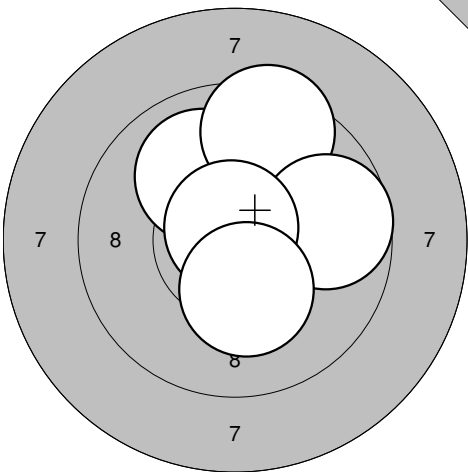
<p>Sight</p> 	<p>1: 8,4 ↑ 2: 8,4 ↑ 3: 9,0 ↑ 4: 8,9 ↑ 5: 8,8 → 6: 10,3* → 7: 9,3 ↗ 8: 9,4 ↑ 9: 9,9 ↗ 10: 10,2* →</p> <p>Serie 88,0 Totalt 0,0</p>	<p>Sight</p> 	<p>11: 10,4* ↓ 12: 10,3* ↓ 13: 9,3 ↗ 14: 9,9 ↑ 15: 9,1 ↑ 16: 10,6* ↓ 17: 10,5* ↗ 18: 9,8 ↗ 19: 10,3* ← 20: 9,7 ↖</p> <p>Serie 95,0 Totalt 0,0</p>
---	--	---	---

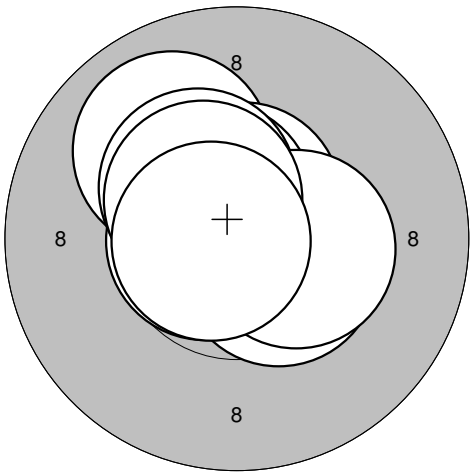
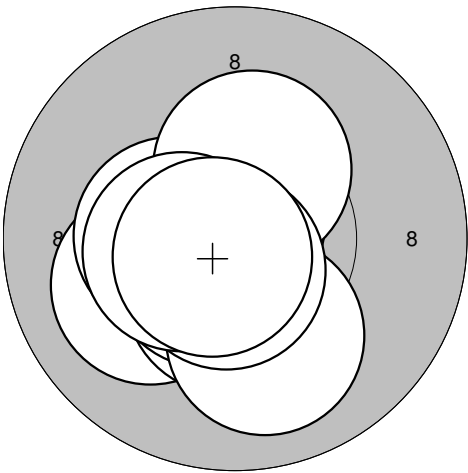
<p>Sight</p> 	<p>21: 10,1 ↓ 22: 10,2* ← 23: 10,2* ↓</p> <p>Serie 30,0 Totalt 0,0</p>	<p>60 shot</p> 	<p>1: 10,6* ↑ 2: 9,9 ↓ 3: 10,3* ↓ 4: 10,5* ↓ 5: 10,0 ← 6: 10,5* → 7: 10,3* ↗ 8: 10,7* ↓ 9: 9,9 ↘ 10: 10,5* ↓</p> <p>Serie 98,0 Totalt 98,0</p>
--	--	--	--

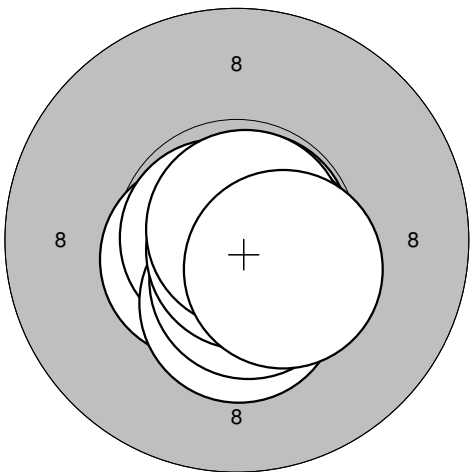
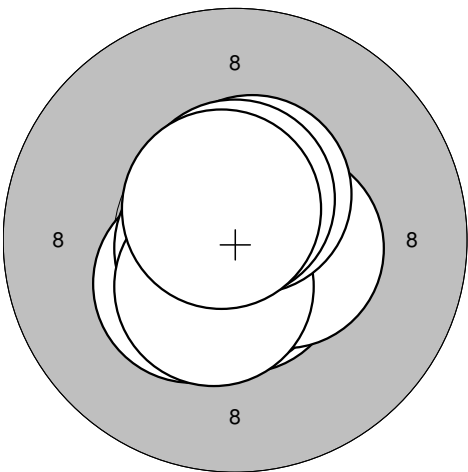
<p>60 shot</p> 	<p>11: 10,6* ↗ 12: 10,8* ← 13: 10,2* ↑ 14: 10,5* → 15: 10,3* ↓ 16: 9,7 ↗ 17: 10,4* ↓ 18: 10,4* ↗ 19: 10,3* ← 20: 10,2* ↗</p> <p>Serie 99,0 Totalt 197,0</p>	<p>60 shot</p> 	<p>21: 10,4* ↑ 22: 10,1 ↑ 23: 10,2* ↑ 24: 10,4* ↖ 25: 10,4* ↑ 26: 10,1 → 27: 10,5* ↗ 28: 9,2 ↗ 29: 9,9 ↑ 30: 10,4* ↑</p> <p>Serie 98,0 Totalt 295,0</p>
---	---	---	---

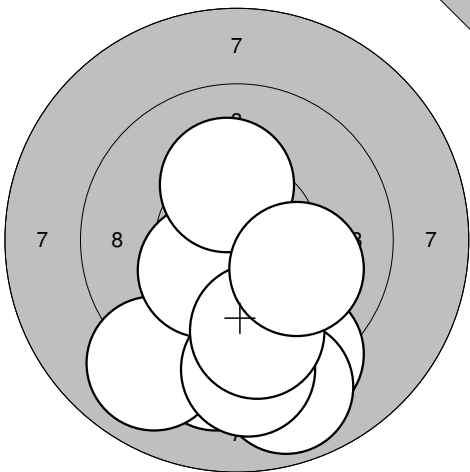
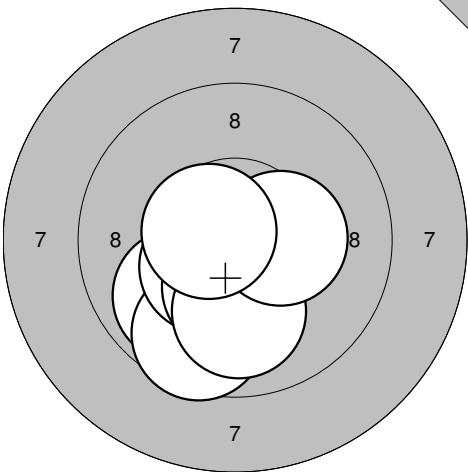
<p>60 shot</p> 	<p>31: 9,5 → 32: 9,1 ↓ 33: 10,4* ← 34: 9,6 ↗ 35: 9,9 ↓ 36: 10,3* → 37: 9,8 ↗ 38: 8,9 ↓ 39: 10,3* → 40: 10,6* ↓</p> <p>Serie 93,0 Totalt 388,0</p>		
---	---	--	--

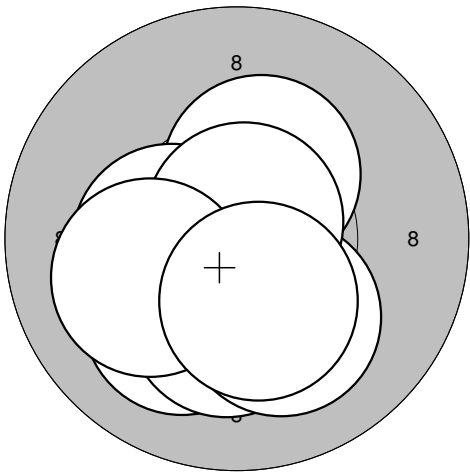
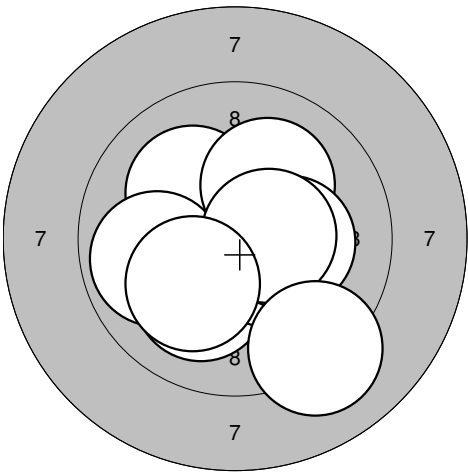


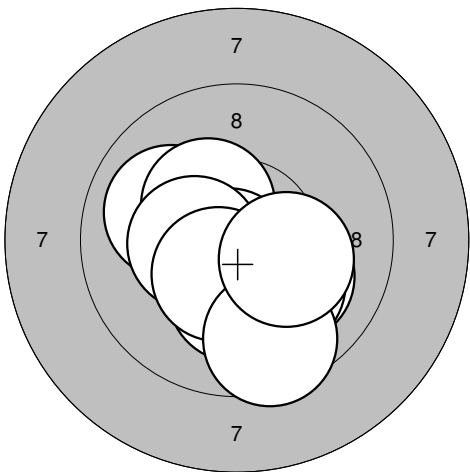
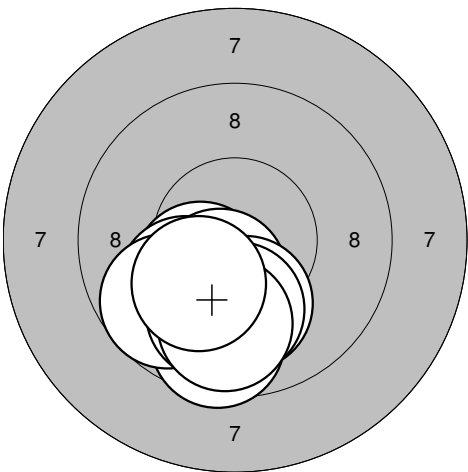
<p>Sight</p> 	<p>Sight</p> 	
<p>1: 10,0 ↘ 2: 10,6* ↙ 3: 10,4* ↘ 4: 10,4* ↗ 5: 10,1 ↑ 6: 10,3* ↙ 7: 10,3* → 8: 10,2* → 9: 10,4* ← 10: 9,9 ↑</p>	<p>11: 10,0 ↗ 12: 9,4 ↑ 13: 9,7 → 14: 10,8* ↑ 15: 10,3* ↓</p>	
Serie 99,0	Serie 48,0	
Totalt 0,0	Totalt 0,0	

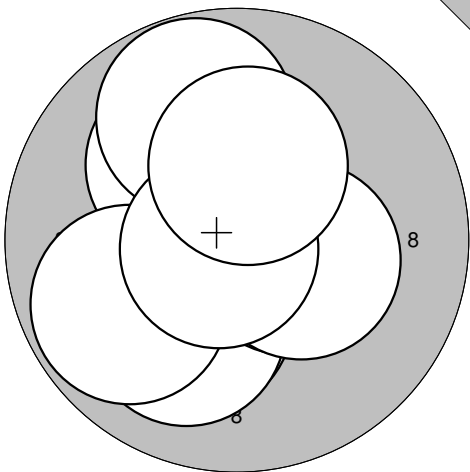
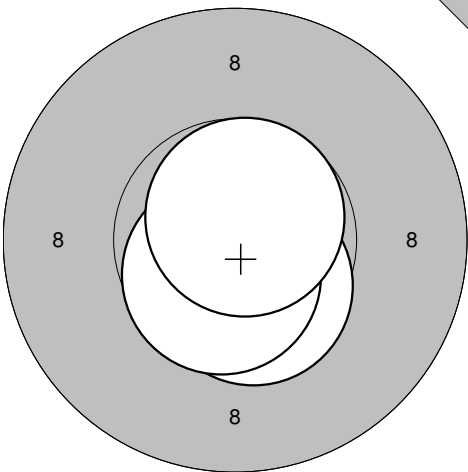
<p>60 shot</p> 	<p>60 shot</p> 	
<p>1: 10,9* ↘ 2: 10,0 ↗ 3: 10,6* ↑ 4: 10,6* ↗ 5: 10,5* ↘ 6: 10,7* ← 7: 10,4* ↗ 8: 10,4* → 9: 10,5* ↗ 10: 10,7* ←</p>	<p>11: 10,1 ↙ 12: 10,4* ↓ 13: 10,6* ↙ 14: 10,0 ↓ 15: 10,8* ↗ 16: 10,4* ← 17: 10,3* ↑ 18: 10,7* ↓ 19: 10,5* ← 20: 10,7* ↙</p>	
Serie 100,0	Serie 100,0	
Totalt 100,0	Totalt 200,0	

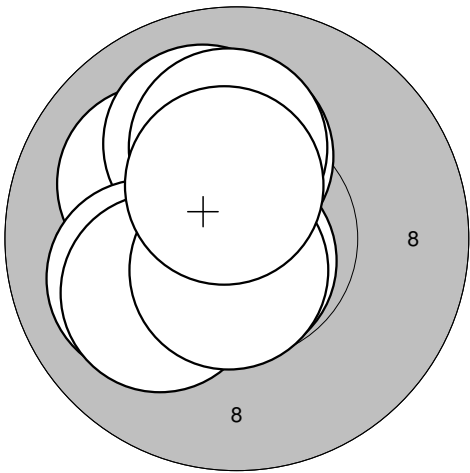
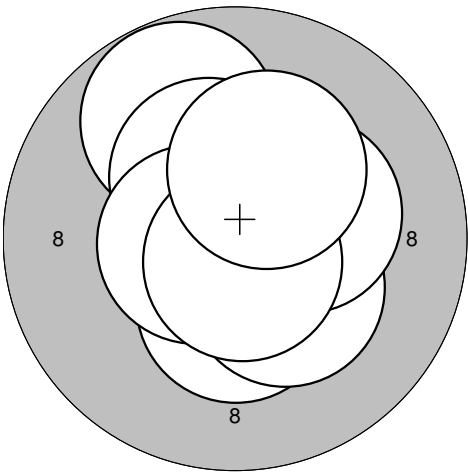
<p>60 shot</p> 	<p>60 shot</p> 	
<p>21: 10,6* ↙ 22: 10,8* ↗ 23: 10,9* ↗ 24: 10,8* ← 25: 10,4* ↓ 26: 10,6* ↓ 27: 10,7* → 28: 10,8* ↘ 29: 10,8* ↗ 30: 10,4* ↘</p>	<p>31: 10,6* ↓ 32: 10,7* ↓ 33: 10,4* ↙ 34: 10,7* → 35: 10,5* → 36: 10,7* ← 37: 10,5* ↘ 38: 10,5* ↑ 39: 10,6* ↑ 40: 10,6* ↗</p>	
Serie 100,0	Serie 100,0	
Totalt 300,0	Totalt 400,0	

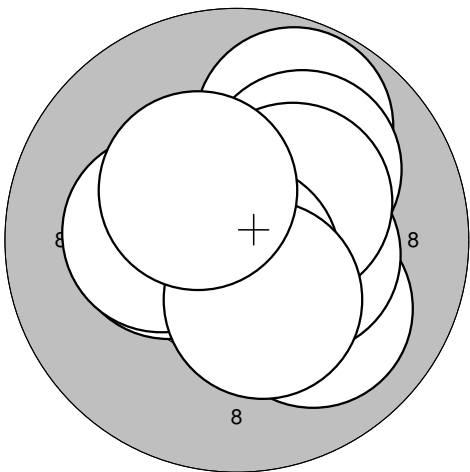
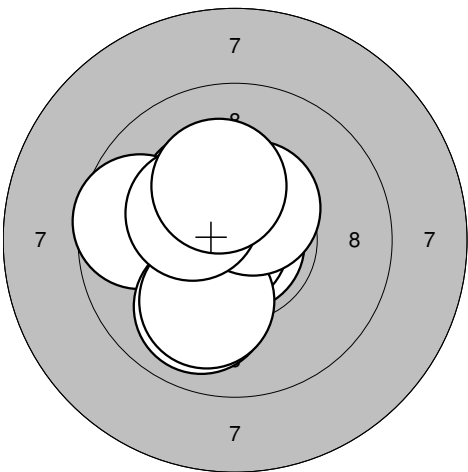
<p>Sight</p> 	<p>1: 10,2* ↓ 2: 9,2 ↓ 3: 9,3 ↓ 4: 8,9 ↓ 5: 9,0 ↓ 6: 9,2 ↓ 7: 10,4* ↙ 8: 9,7 ↓ 9: 10,2* ↑ 10: 10,1 →</p> <p>Serie 93,0 Totalt 0,0</p>	<p>Sight</p> 	<p>11: 10,1 ↓ 12: 9,9 ↙ 13: 10,6* ↓ 14: 9,6 ↓ 15: 10,4* ↙ 16: 10,3* ↓ 17: 10,7* ↘ 18: 10,0 ↓ 19: 10,3* → 20: 10,6* ←</p> <p>Serie 98,0 Totalt 0,0</p>
---	---	---	---

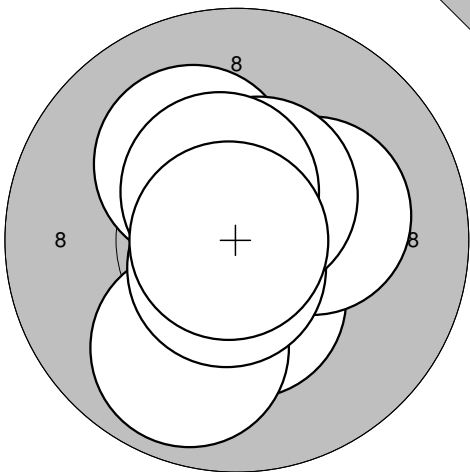
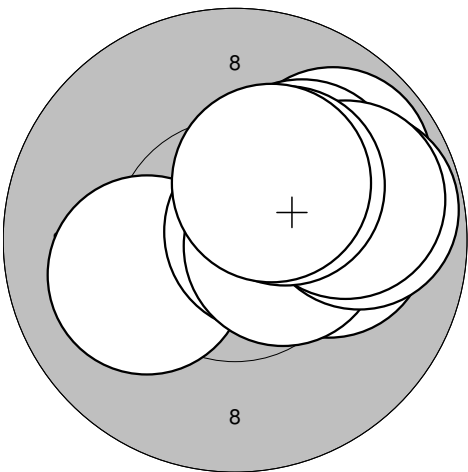
<p>60 shot</p> 	<p>1: 10,1 ↓ 2: 10,7* ↙ 3: 10,2* ↓ 4: 10,6* ↙ 5: 10,3* ↑ 6: 10,4* ↙ 7: 10,1 ↓ 8: 10,8* ↑ 9: 10,1 ↙ 10: 10,3* ↓</p> <p>Serie 100,0 Totalt 100,0</p>	<p>60 shot</p> 	<p>11: 10,8* → 12: 10,1 ↓ 13: 10,1 ↗ 14: 10,4* ↘ 15: 9,9 ↙ 16: 10,1 ↗ 17: 10,2* → 18: 10,5* → 19: 9,1 ↓ 20: 10,1 ↙</p> <p>Serie 98,0 Totalt 198,0</p>
--	--	--	---

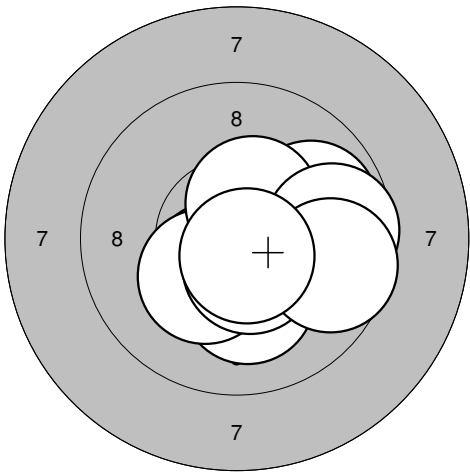
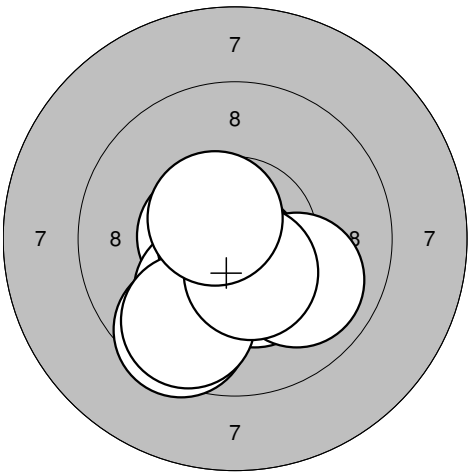
<p>60 shot</p> 	<p>21: 10,1 ↓ 22: 10,1 ↓ 23: 10,0 ↗ 24: 10,4* ↗ 25: 10,7* ↓ 26: 10,4* ↙ 27: 10,2* ↓ 28: 10,4* ↓ 29: 9,6 ↓ 30: 10,2* →</p> <p>Serie 99,0 Totalt 297,0</p>	<p>60 shot</p> 	<p>31: 10,3* ↙ 32: 10,1 ↙ 33: 9,6 ↓ 34: 9,7 ↙ 35: 10,4* ↓ 36: 9,9 ↓ 37: 10,1 ↓ 38: 10,0 ↓ 39: 9,8 ↓ 40: 10,2* ↙</p> <p>Serie 96,0 Totalt 393,0</p>
---	--	---	--

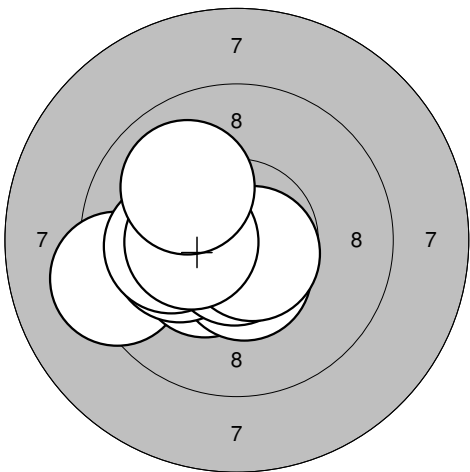
<p>Sight</p> 	<p>1: 10,2* ↓                  2: 10,0 ↓                  3: 10,5* →                  4: 10,3* →                  5: 10,2* ↑                  6: 10,1 ↑                  7: 9,8 ↑                  8: 9,8 ←                  9: 10,8* ←                  10: 10,3* ↑</p> <p>Serie 98,0 Totalt 0,0</p>	<p>Sight</p> 	<p>11: 10,5* ↓                  12: 10,6* ↓                  13: 10,7* ↑</p> <p>Serie 30,0 Totalt 0,0</p>
---	---	---	---

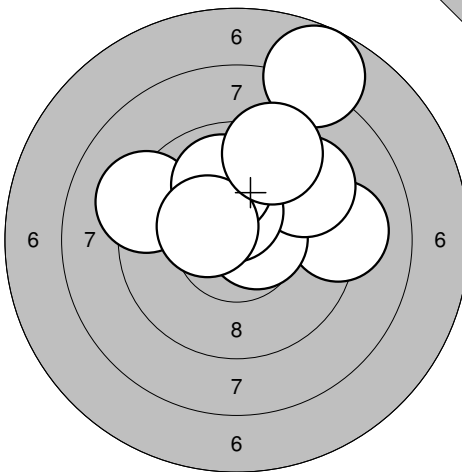
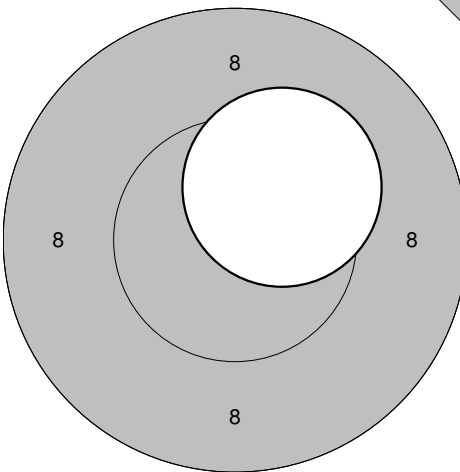
<p>60 shot</p> 	<p>1: 10,4* ↑                  2: 10,1 ↖                  3: 10,0 ↑                  4: 10,2* ↑                  5: 10,1 ←                  6: 10,1 ↑                  7: 10,1 ↖                  8: 10,7* ↓                  9: 10,7* ↓                  10: 10,5* ↑</p> <p>Serie 100,0 Totalt 100,0</p>	<p>60 shot</p> 	<p>11: 10,4* ↓                  12: 9,8 ↖                  13: 10,5* ↑                  14: 10,3* ↓                  15: 10,4* ↑                  16: 10,7* ↑                  17: 10,6* ←                  18: 10,3* →                  19: 10,7* ↓                  20: 10,3* ↑</p> <p>Serie 99,0 Totalt 199,0</p>
--	---	--	--

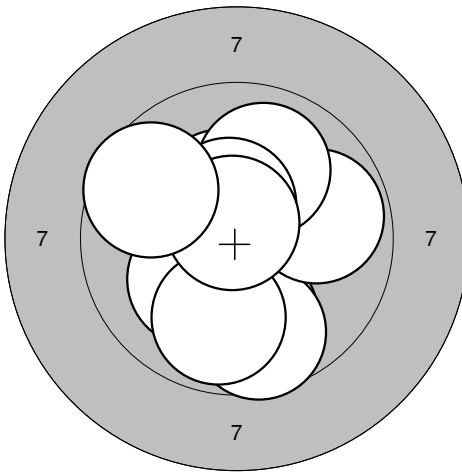
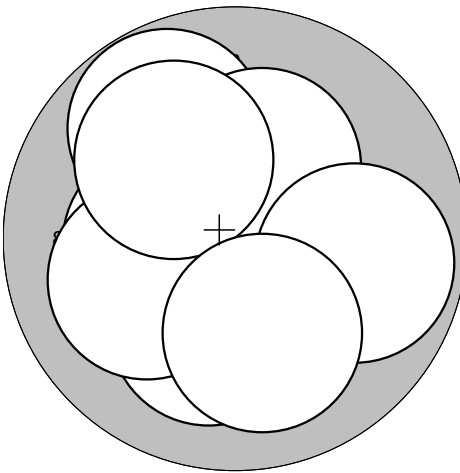
<p>60 shot</p> 	<p>21: 9,8 ↗                  22: 10,1 ↗                  23: 10,0 ↓                  24: 10,3* →                  25: 10,3* ↗                  26: 10,3* ←                  27: 10,8* ↓                  28: 10,3* ←                  29: 10,4* ↓                  30: 10,4* ↗</p> <p>Serie 99,0 Totalt 298,0</p>	<p>60 shot</p> 	<p>31: 10,3* ↗                  32: 10,8* ↖                  33: 9,7 ←                  34: 10,9* ↓                  35: 10,8* ←                  36: 10,0 ↓                  37: 10,1 ↓                  38: 10,5* ↗                  39: 10,3* ↖                  40: 10,2* ↑</p> <p>Serie 99,0 Totalt 397,0</p>
---	--	---	--

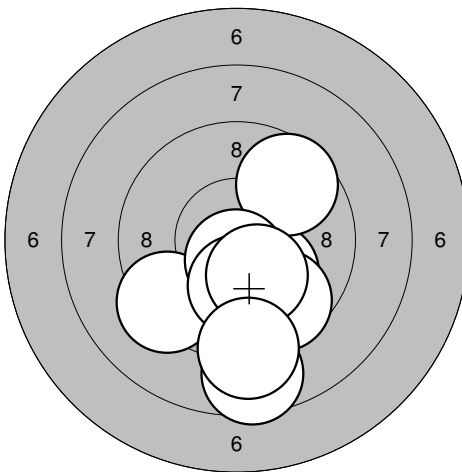
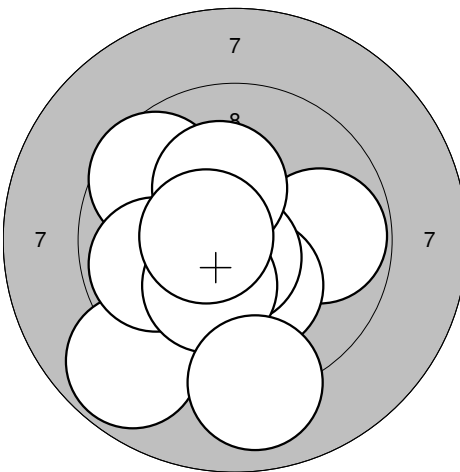
<p>Sight</p> 	<p>60 shot</p> <table style="width:100%; border-collapse: collapse;"> <tr><td>1: 10,4*</td><td>↘</td></tr> <tr><td>2: 9,9</td><td>↘</td></tr> <tr><td>3: 10,2*</td><td>→</td></tr> <tr><td>4: 10,2*</td><td>↗</td></tr> <tr><td>5: 10,7*</td><td>↘</td></tr> <tr><td>6: 10,5*</td><td>↗</td></tr> <tr><td>7: 10,5*</td><td>↗</td></tr> <tr><td>8: 10,9*</td><td>←</td></tr> </table>	1: 10,4*	↘	2: 9,9	↘	3: 10,2*	→	4: 10,2*	↗	5: 10,7*	↘	6: 10,5*	↗	7: 10,5*	↗	8: 10,9*	←	 <table style="width:100%; border-collapse: collapse;"> <tr><td>1: 9,8</td><td>↗</td></tr> <tr><td>2: 10,1</td><td>←</td></tr> <tr><td>3: 10,1</td><td>→</td></tr> <tr><td>4: 10,7*</td><td>→</td></tr> <tr><td>5: 10,5*</td><td>→</td></tr> <tr><td>6: 10,1</td><td>↗</td></tr> <tr><td>7: 9,8</td><td>→</td></tr> <tr><td>8: 9,9</td><td>→</td></tr> <tr><td>9: 10,3*</td><td>↗</td></tr> <tr><td>10: 10,3*</td><td>↗</td></tr> </table>	1: 9,8	↗	2: 10,1	←	3: 10,1	→	4: 10,7*	→	5: 10,5*	→	6: 10,1	↗	7: 9,8	→	8: 9,9	→	9: 10,3*	↗	10: 10,3*	↗
1: 10,4*	↘																																					
2: 9,9	↘																																					
3: 10,2*	→																																					
4: 10,2*	↗																																					
5: 10,7*	↘																																					
6: 10,5*	↗																																					
7: 10,5*	↗																																					
8: 10,9*	←																																					
1: 9,8	↗																																					
2: 10,1	←																																					
3: 10,1	→																																					
4: 10,7*	→																																					
5: 10,5*	→																																					
6: 10,1	↗																																					
7: 9,8	→																																					
8: 9,9	→																																					
9: 10,3*	↗																																					
10: 10,3*	↗																																					
Serie 79,0	Serie 97,0	Serie 97,0																																				
Totalt 0,0	Totalt 0,0	Totalt 97,0																																				

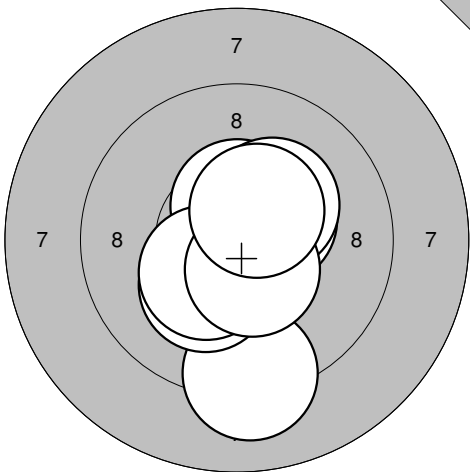
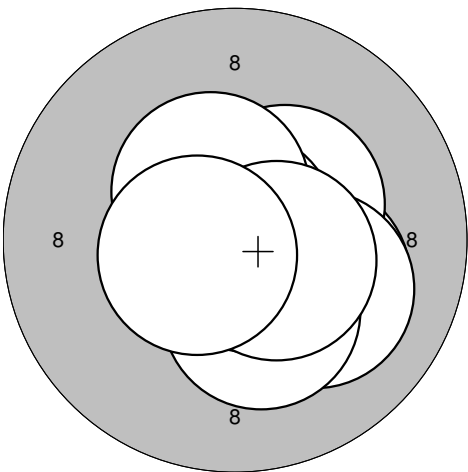
<p>60 shot</p> 	<p>60 shot</p> <table style="width:100%; border-collapse: collapse;"> <tr><td>11: 10,2*</td><td>↘</td></tr> <tr><td>12: 10,5*</td><td>↘</td></tr> <tr><td>13: 10,3*</td><td>→</td></tr> <tr><td>14: 10,3*</td><td>↘</td></tr> <tr><td>15: 10,5*</td><td>↘</td></tr> <tr><td>16: 9,9</td><td>→</td></tr> <tr><td>17: 10,4*</td><td>↗</td></tr> <tr><td>18: 9,7</td><td>→</td></tr> <tr><td>19: 9,6</td><td>→</td></tr> <tr><td>20: 10,7*</td><td>↘</td></tr> </table>	11: 10,2*	↘	12: 10,5*	↘	13: 10,3*	→	14: 10,3*	↘	15: 10,5*	↘	16: 9,9	→	17: 10,4*	↗	18: 9,7	→	19: 9,6	→	20: 10,7*	↘	 <table style="width:100%; border-collapse: collapse;"> <tr><td>21: 10,5*</td><td>←</td></tr> <tr><td>22: 10,7*</td><td>↓</td></tr> <tr><td>23: 10,1</td><td>↘</td></tr> <tr><td>24: 10,8*</td><td>←</td></tr> <tr><td>25: 10,3*</td><td>↘</td></tr> <tr><td>26: 10,0</td><td>↘</td></tr> <tr><td>27: 9,5</td><td>↘</td></tr> <tr><td>28: 9,7</td><td>↘</td></tr> <tr><td>29: 10,4*</td><td>↘</td></tr> <tr><td>30: 10,6*</td><td>↗</td></tr> </table>	21: 10,5*	←	22: 10,7*	↓	23: 10,1	↘	24: 10,8*	←	25: 10,3*	↘	26: 10,0	↘	27: 9,5	↘	28: 9,7	↘	29: 10,4*	↘	30: 10,6*	↗
11: 10,2*	↘																																									
12: 10,5*	↘																																									
13: 10,3*	→																																									
14: 10,3*	↘																																									
15: 10,5*	↘																																									
16: 9,9	→																																									
17: 10,4*	↗																																									
18: 9,7	→																																									
19: 9,6	→																																									
20: 10,7*	↘																																									
21: 10,5*	←																																									
22: 10,7*	↓																																									
23: 10,1	↘																																									
24: 10,8*	←																																									
25: 10,3*	↘																																									
26: 10,0	↘																																									
27: 9,5	↘																																									
28: 9,7	↘																																									
29: 10,4*	↘																																									
30: 10,6*	↗																																									
Serie 97,0	Serie 98,0	Serie 98,0																																								
Totalt 194,0	Totalt 194,0	Totalt 292,0																																								

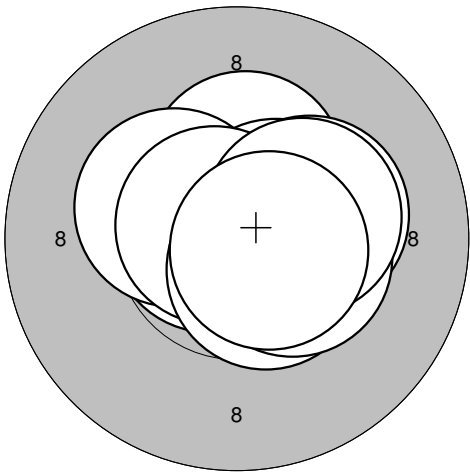
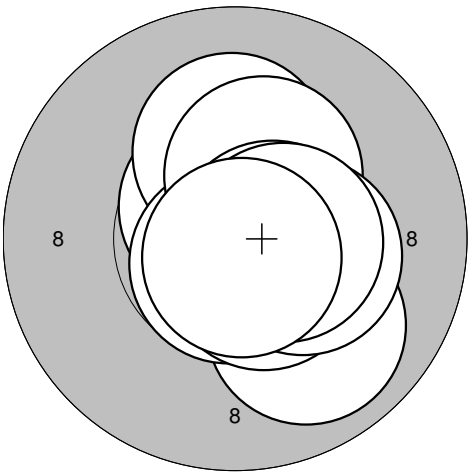
<p>60 shot</p> 	<table style="width:100%; border-collapse: collapse;"> <tr><td>31: 10,1</td><td>←</td></tr> <tr><td>32: 9,3</td><td>←</td></tr> <tr><td>33: 10,4*</td><td>↘</td></tr> <tr><td>34: 10,5*</td><td>↘</td></tr> <tr><td>35: 10,2*</td><td>←</td></tr> <tr><td>36: 10,7*</td><td>↘</td></tr> <tr><td>37: 10,7*</td><td>↘</td></tr> <tr><td>38: 10,1</td><td>←</td></tr> <tr><td>39: 10,3*</td><td>←</td></tr> <tr><td>40: 10,0</td><td>↗</td></tr> </table>	31: 10,1	←	32: 9,3	←	33: 10,4*	↘	34: 10,5*	↘	35: 10,2*	←	36: 10,7*	↘	37: 10,7*	↘	38: 10,1	←	39: 10,3*	←	40: 10,0	↗	
31: 10,1	←																					
32: 9,3	←																					
33: 10,4*	↘																					
34: 10,5*	↘																					
35: 10,2*	←																					
36: 10,7*	↘																					
37: 10,7*	↘																					
38: 10,1	←																					
39: 10,3*	←																					
40: 10,0	↗																					
Serie 99,0	Serie 99,0																					
Totalt 391,0	Totalt 391,0																					

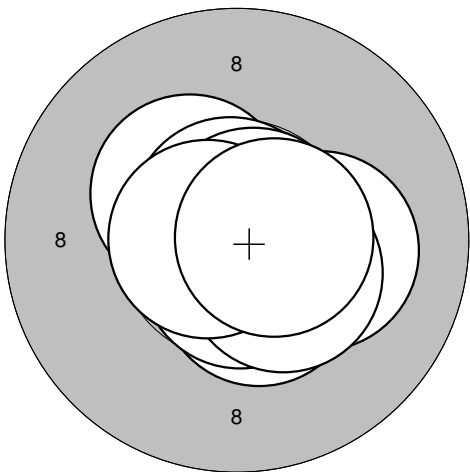
<p>Sight</p> 	<p>1: 10,2* ↖</p> <p>2: 9,1 →</p> <p>3: 10,6* →</p> <p>4: 9,2 ↖</p> <p>5: 7,8 ↗</p> <p>6: 9,4 ↗</p> <p>7: 10,4* ↗</p> <p>8: 9,9 ↗</p> <p>9: 10,4* ↖</p> <p>10: 9,3 ↗</p> <table border="1" style="width:100%; border-collapse: collapse;"> <tr> <td style="text-align: right;">Serie</td> <td style="text-align: right;">92,0</td> </tr> <tr> <td style="text-align: right;">Totalt</td> <td style="text-align: right;">0,0</td> </tr> </table>	Serie	92,0	Totalt	0,0	<p>Sight</p>  <table border="1" style="width:100%; border-collapse: collapse;"> <tr> <td style="text-align: right;">Serie</td> <td style="text-align: right;">10,0</td> </tr> <tr> <td style="text-align: right;">Totalt</td> <td style="text-align: right;">0,0</td> </tr> </table>	Serie	10,0	Totalt	0,0
Serie	92,0									
Totalt	0,0									
Serie	10,0									
Totalt	0,0									

<p>60 shot</p> 	<p>1: 9,9 ↓</p> <p>2: 9,7 ↓</p> <p>3: 10,4* ↗</p> <p>4: 10,2* ↖</p> <p>5: 9,9 ↓</p> <p>6: 9,8 →</p> <p>7: 10,0 ↗</p> <p>8: 10,5* ↗</p> <p>9: 10,7* ↗</p> <p>10: 9,6 ↖</p> <table border="1" style="width:100%; border-collapse: collapse;"> <tr> <td style="text-align: right;">Serie</td> <td style="text-align: right;">95,0</td> </tr> <tr> <td style="text-align: right;">Totalt</td> <td style="text-align: right;">95,0</td> </tr> </table>	Serie	95,0	Totalt	95,0	<p>60 shot</p>  <table border="1" style="width:100%; border-collapse: collapse;"> <tr> <td style="text-align: right;">Serie</td> <td style="text-align: right;">98,0</td> </tr> <tr> <td style="text-align: right;">Totalt</td> <td style="text-align: right;">193,0</td> </tr> </table>	Serie	98,0	Totalt	193,0
Serie	95,0									
Totalt	95,0									
Serie	98,0									
Totalt	193,0									

<p>60 shot</p> 	<p>21: 10,1 ↓</p> <p>22: 9,6 ↗</p> <p>23: 9,3 ↖</p> <p>24: 8,6 ↓</p> <p>25: 10,6* ↓</p> <p>26: 10,1 ↓</p> <p>27: 10,1 ↓</p> <p>28: 9,6 ↓</p> <p>29: 10,2* ↓</p> <p>30: 9,0 ↓</p> <table border="1" style="width:100%; border-collapse: collapse;"> <tr> <td style="text-align: right;">Serie</td> <td style="text-align: right;">94,0</td> </tr> <tr> <td style="text-align: right;">Totalt</td> <td style="text-align: right;">287,0</td> </tr> </table>	Serie	94,0	Totalt	287,0	<p>60 shot</p>  <table border="1" style="width:100%; border-collapse: collapse;"> <tr> <td style="text-align: right;">Serie</td> <td style="text-align: right;">94,0</td> </tr> <tr> <td style="text-align: right;">Totalt</td> <td style="text-align: right;">381,0</td> </tr> </table>	Serie	94,0	Totalt	381,0
Serie	94,0									
Totalt	287,0									
Serie	94,0									
Totalt	381,0									

Sight 	1: 10,6* ↓	60 shot 	1: 10,2* ↘
	2: 10,4* ↓		2: 10,4* ↗
	3: 9,2 ↓		3: 10,9* ↓
	4: 10,2* ↙		4: 10,1 ↘
	5: 10,5* ↑		5: 10,8* ↑
	6: 10,4* ↙		6: 10,3* ↓
	7: 10,4* ↗		7: 10,8* ↘
	8: 10,3* ↗		8: 10,5* ↗
	9: 10,5* ↓		9: 10,5* ↘
	10: 10,5* ↗		10: 10,6* ↙
	Serie 99,0		Serie 100,0
	Totalt 0,0		Totalt 100,0

60 shot 	11: 10,3* ↑	60 shot 	21: 10,6* ↗
	12: 10,7* ←		22: 9,9 ↓
	13: 10,3* ↗		23: 10,2* ↑
	14: 10,3* →		24: 10,7* ↓
	15: 10,6* ↗		25: 10,6* ↘
	16: 10,7* ↗		26: 10,3* ↗
	17: 10,6* ↓		27: 10,6* →
	18: 10,4* →		28: 10,3* →
	19: 10,3* →		29: 10,5* →
	20: 10,6* →		30: 10,8* ↓
	Serie 100,0		Serie 99,0
	Totalt 200,0		Totalt 299,0

60 shot 	31: 10,4* ↗	
	32: 10,9* ↙	
	33: 10,7* ↑	
	34: 10,5* ↓	
	35: 10,7* ↓	
	36: 10,2* →	
	37: 10,8* ↗	
	38: 10,4* ↘	
	39: 10,7* ←	
	40: 10,6* →	
	Serie 100,0	
	Totalt 399,0	