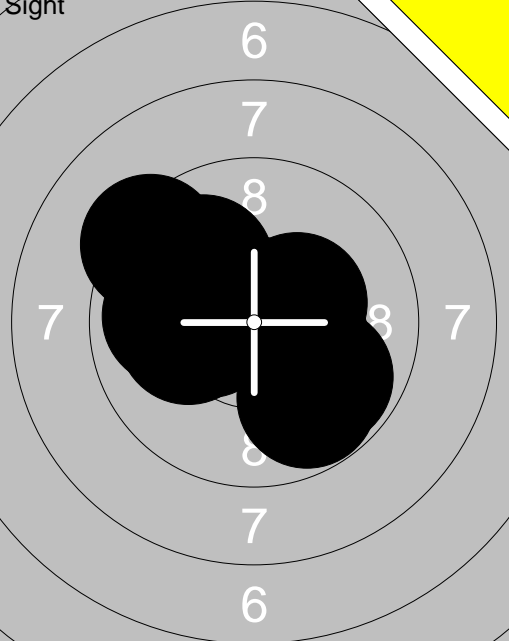
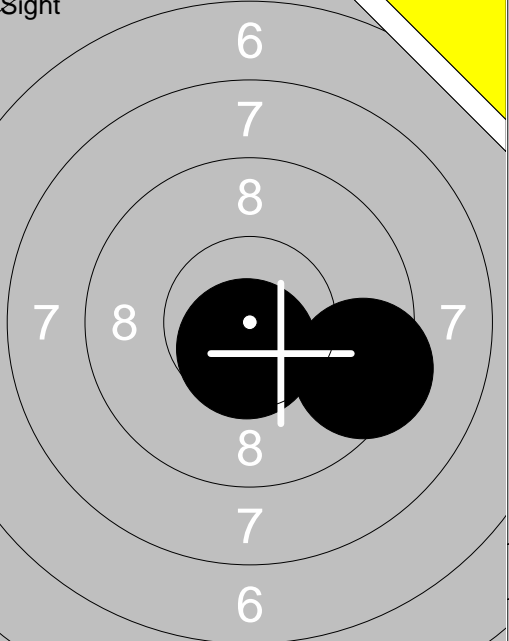
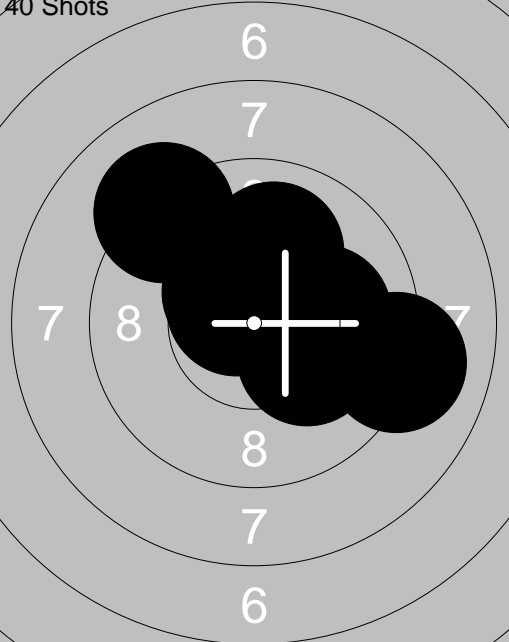
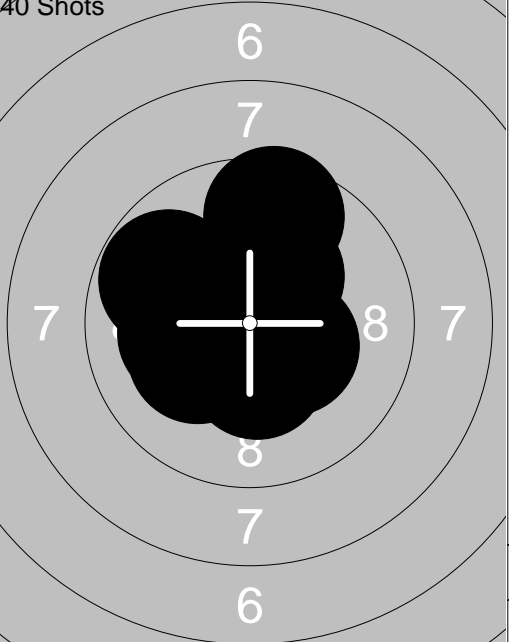
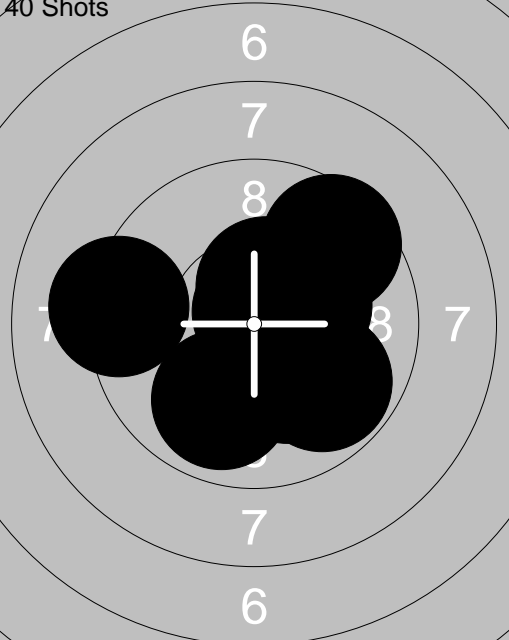
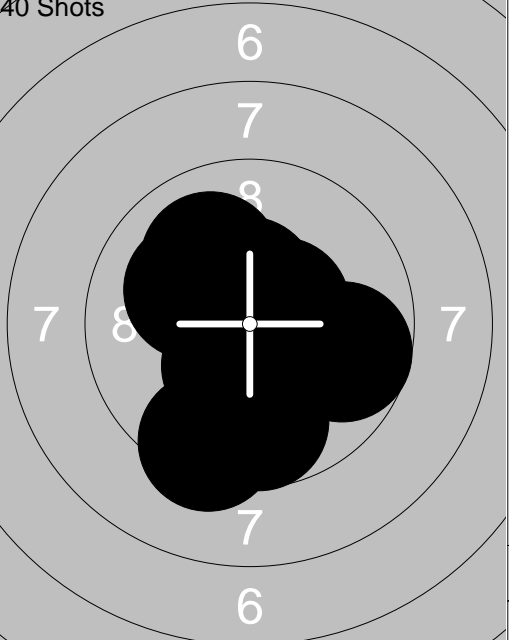
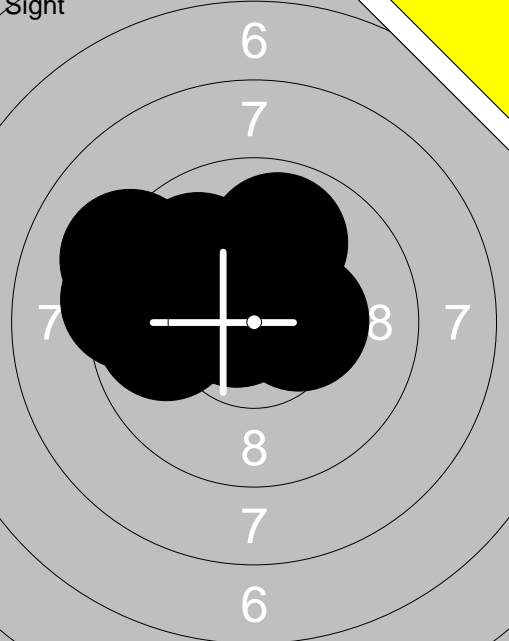
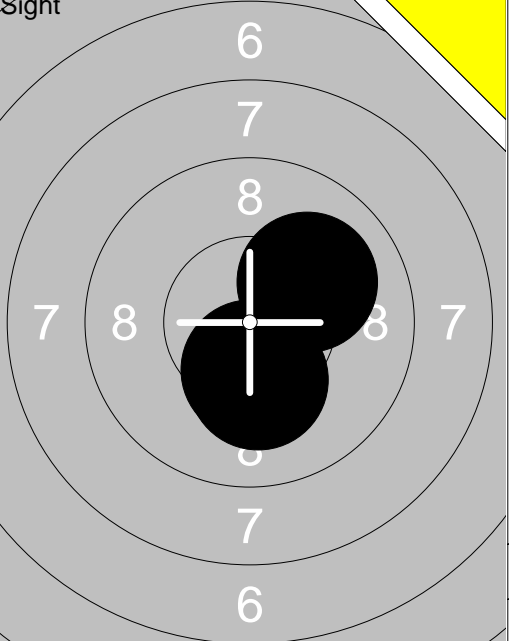
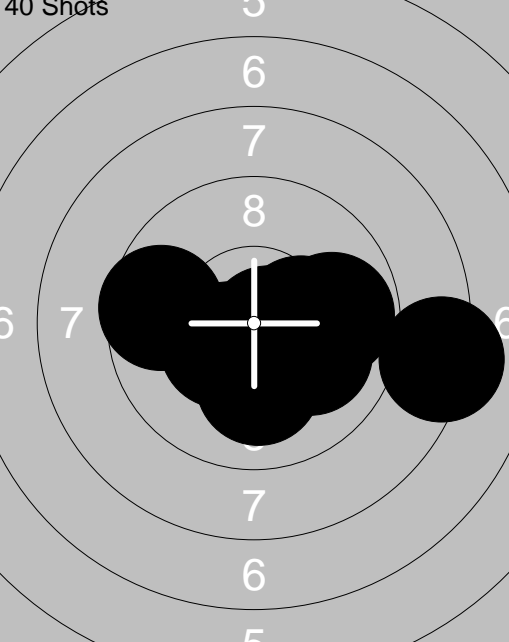



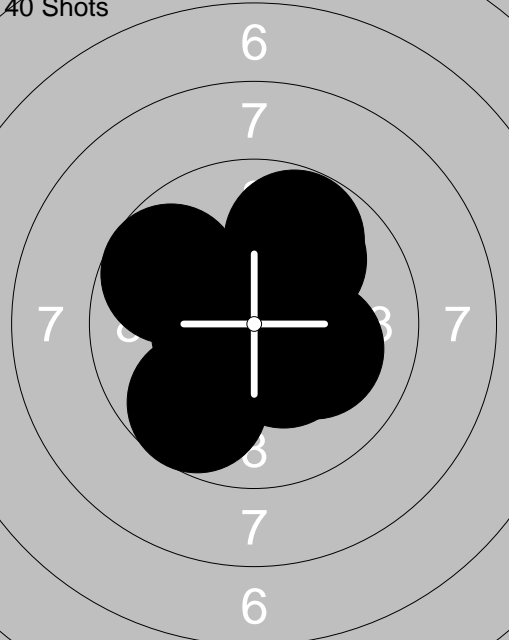

Sight		Sight	
	1: 10.1 ← 2: *10.3 → 3: *10.3 → 4: 9.8 ↓ 5: 9.8 ↓ 6: 9.3 ↗ 7: 9.9 ← 8: *10.4 ← 9: 10.0 ↗ 10: *10.3 ↘		11: 9.4 → 12: *10.6 ↓
Series	100.2	Series	20.0
Total	0.0	Total	0.0

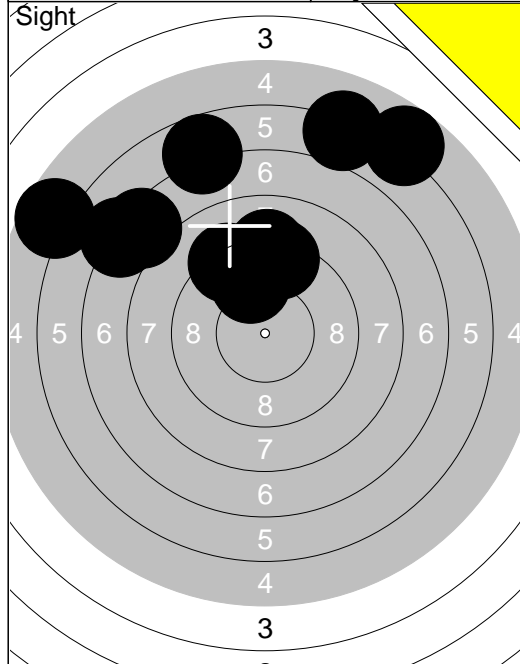
40 Shots		40 Shots	
	1: 9.1 → 2: *10.2 → 3: 10.1 → 4: 9.1 ↗ 5: 10.0 ↑ 6: *10.5 ↘ 7: 10.1 → 8: *10.6 ↘ 9: *10.2 → 10: *10.5 →		11: *10.2 ↘ 12: 9.8 ↖ 13: *10.4 → 14: 9.6 ↑ 15: *10.3 ↗ 16: 10.1 ← 17: *10.4 ↓ 18: *10.7 ↘ 19: *10.5 ↓ 20: *10.5 ↓
Series	100.4	Series	102.5
Total	100.4	Total	202.9

40 Shots		40 Shots	
	21: *10.5 ↑ 22: *10.3 ↗ 23: 9.5 ↗ 24: 9.8 ↓ 25: *10.3 → 26: 9.2 ← 27: *10.2 ↓ 28: *10.4 ↓ 29: *10.8 ↗ 30: 9.9 ↓		31: *10.4 ↓ 32: *10.5 ↘ 33: *10.5 ↑ 34: 9.7 → 35: *10.6 ↗ 36: *10.5 → 37: 10.1 ↖ 38: 9.4 ↓ 39: 9.7 ↓ 40: 10.0 ↗
Series	100.9	Series	101.4
Total	303.8	Total	405.2

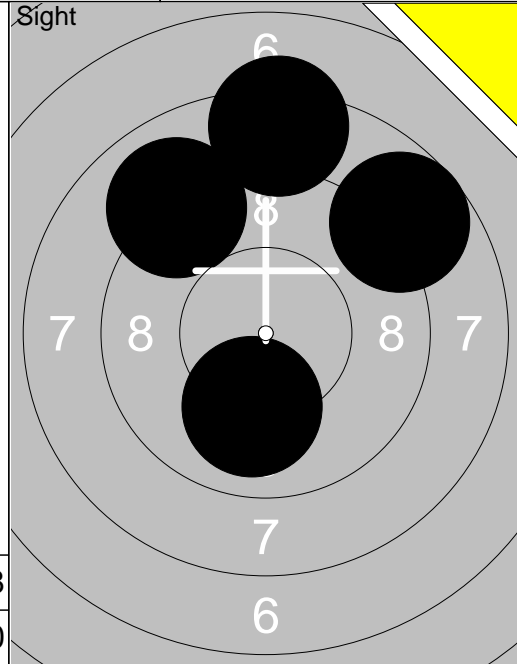
<p>Sight</p> 	<p>1: *10.7 ↘</p> <p>2: 9.9 ↑</p> <p>3: 9.4 ←</p> <p>4: 9.2 ↖</p> <p>5: *10.4 →</p> <p>6: *10.5 ↘</p> <p>7: 9.9 ↖</p> <p>8: 9.8 ←</p> <p>9: 9.8 ←</p> <p>10: *10.3 ↑</p>	<p>Sight</p> 	<p>11: 10.1 ↗</p> <p>12: *10.2 ↓</p> <p>13: *10.3 ↓</p>
Series	99.9	Series	30.6
Total	0.0	Total	0.0

<p>40 Shots</p> 	<p>1: *10.4 ↘</p> <p>2: 9.6 ←</p> <p>3: *10.5 ↘</p> <p>4: 9.8 →</p> <p>5: 8.2 →</p> <p>6: *10.7 →</p> <p>7: *10.7 →</p> <p>8: *10.3 →</p> <p>9: 10.0 →</p> <p>10: 10.1 ↓</p>	<p>40 Shots</p> 	<p>11: 9.5 ↖</p> <p>12: *10.4 →</p> <p>13: *10.2 ↗</p> <p>14: *10.4 ↓</p> <p>15: *10.5 ↘</p> <p>16: 10.1 ↑</p> <p>17: *10.8 ↗</p> <p>18: 9.3 ←</p> <p>19: 10.1 →</p> <p>20: 9.6 ↖</p>
Series	100.3	Series	100.9
Total	100.3	Total	201.2

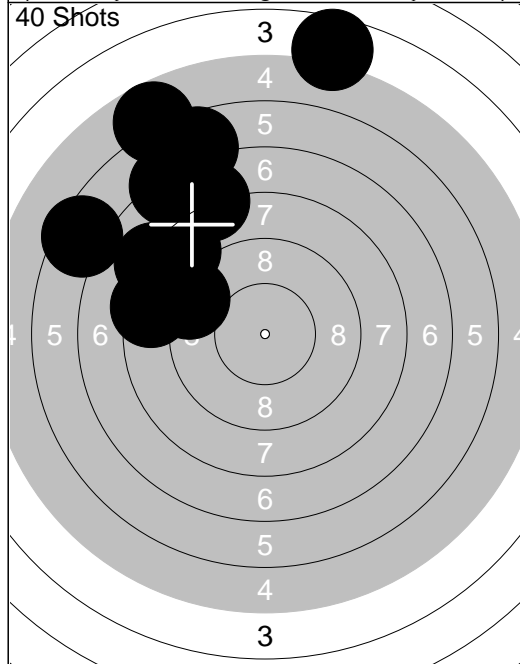
<p>40 Shots</p> 	<p>21: 10.0 ↗</p> <p>22: *10.5 ↓</p> <p>23: 9.8 ↑</p> <p>24: 9.7 ↘</p> <p>25: *10.4 ↓</p> <p>26: 10.1 →</p> <p>27: 9.7 ↖</p> <p>28: *10.8 ↗</p> <p>29: *10.7 ↖</p> <p>30: *10.5 ↖</p>	<p>40 Shots</p> 	<p>31: 10.1 ↓</p> <p>32: *10.7 →</p> <p>33: 8.2 ←</p> <p>34: *10.2 ↓</p> <p>35: *10.5 ↖</p> <p>36: 9.8 ←</p> <p>37: *10.3 ↖</p> <p>38: 8.3 ←</p> <p>39: *10.8 ↖</p> <p>40: 10.1 ↓</p>
Series	102.2	Series	99.0
Total	303.4	Total	402.4



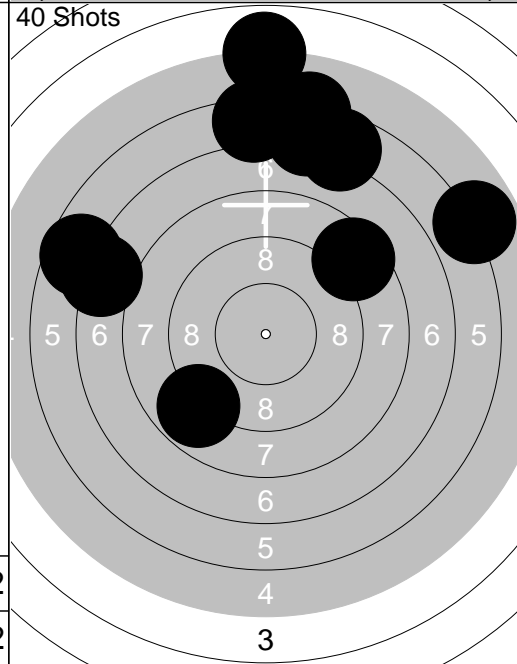
1:	6.1	↗
2:	6.7	↗
3:	7.0	↖
4:	5.6	↖
5:	9.3	↗
6:	9.2	↗
7:	9.1	↗
8:	9.8	↗
9:	5.7	↗
10:	7.3	↖
Series		75.8
Total		0.0



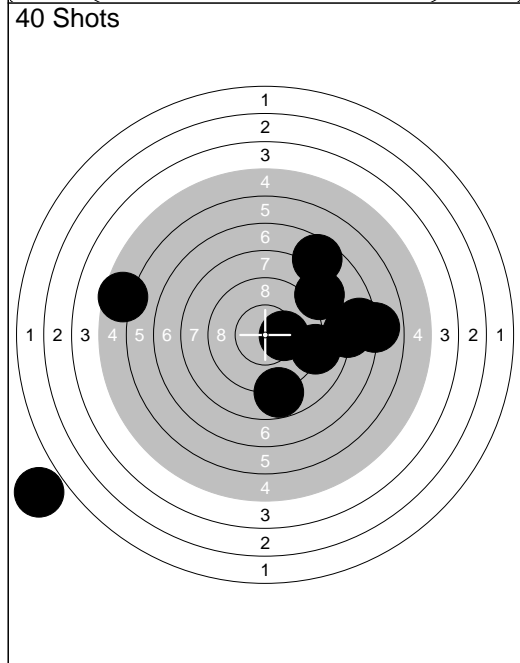
11:	8.3	↗
12:	10.0	↘
13:	8.7	↗
14:	9.0	↖
Series		36.0
Total		0.0



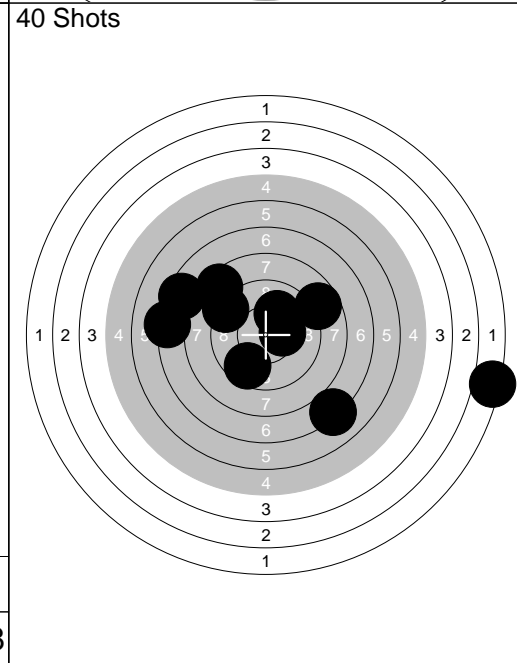
1:	7.1	↗
2:	9.1	↖
3:	8.1	↖
4:	8.4	↗
5:	7.8	↗
6:	6.6	↗
7:	5.7	↗
8:	8.4	↖
9:	4.6	↗
10:	6.4	↖
Series		72.2
Total		72.2



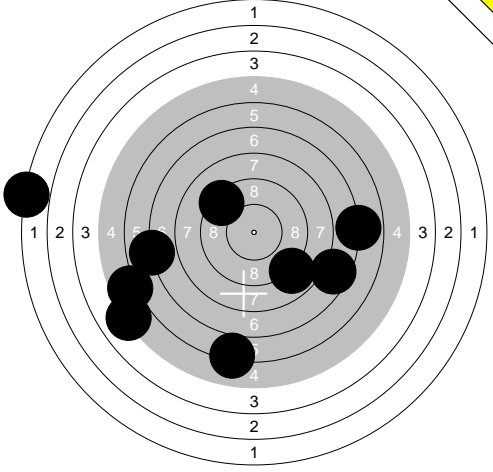
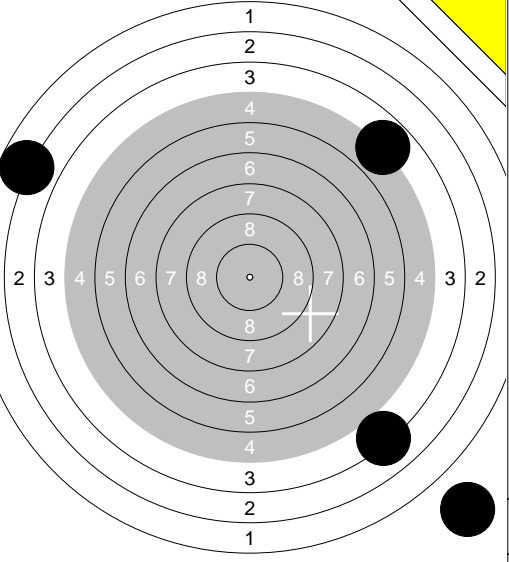
11:	6.3	↗
12:	6.7	↗
13:	8.5	↗
14:	6.6	↗
15:	6.1	↗
16:	4.9	↗
17:	5.8	↗
18:	8.8	↖
19:	7.2	↖
20:	6.6	↖
Series		67.5
Total		139.7

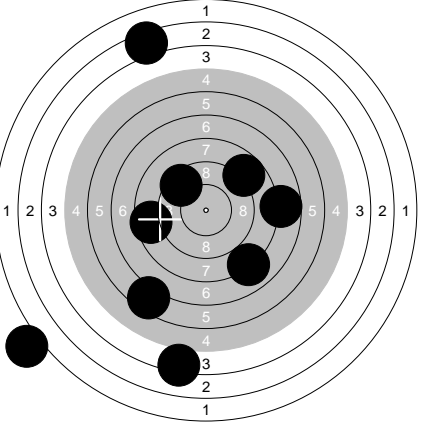
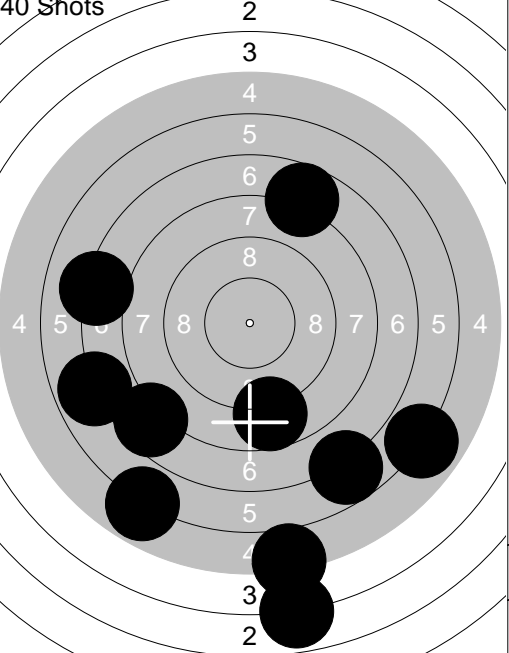


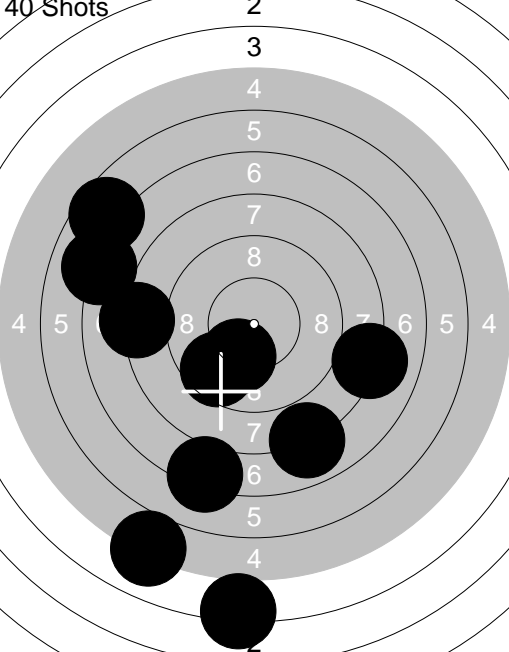
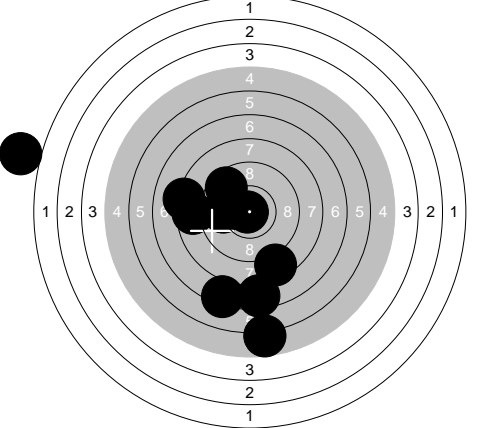
21:	7.5	→
22:	9.0	→
23:	7.9	→
24:	*10.3	→
25:	7.6	↗
26:	5.6	↖
27:	8.5	↗
28:	0.0	↖
29:	8.8	↘
30:	6.9	→
Series		72.1
Total		211.8



31:	2.1	→
32:	*10.3	→
33:	9.6	↖
34:	7.4	↖
35:	8.7	↗
36:	7.1	↘
37:	8.4	↖
38:	9.1	↖
39:	10.0	↗
40:	7.2	↖
Series		79.9
Total		291.7

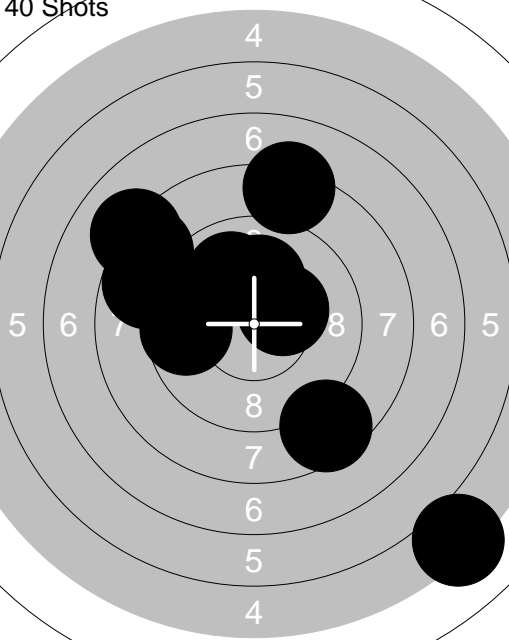
<p>Sight</p> 	<p>1: 5.6 ↙ 2: 5.0 ↙ 3: 6.9 → 4: 0.0 ↓ 5: 7.5 → 6: 6.1 ↓ 7: 6.9 ← 8: 8.8 ↓ 9: 1.9 ← 10: 9.2 ↗</p> <p>Series 57.9 Total 0.0</p>	<p>Sight</p> 	<p>11: 0.0 ↓ 12: 2.8 ↙ 13: 4.1 ↓ 14: 4.8 ↗</p> <p>Series 11.7 Total 0.0</p>
------------------------------------------------------------------------------------------------------	--------------------------------------------------------------------------------------------------------------------------------------------------------------------------------------	--------------------------------------------------------------------------------------------------------	-----------------------------------------------------------------------------------------------------------

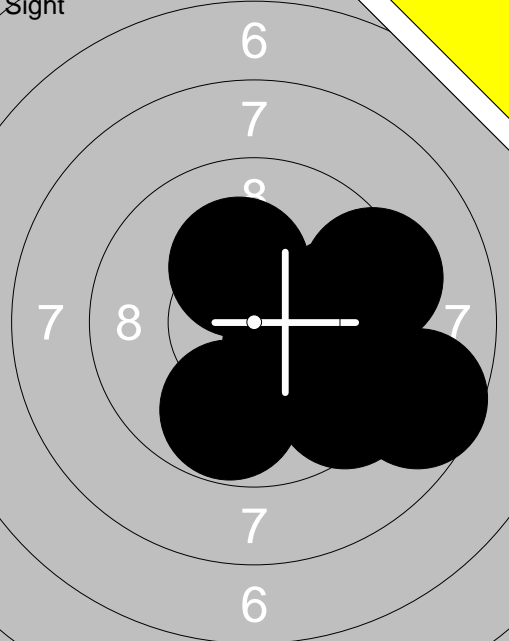
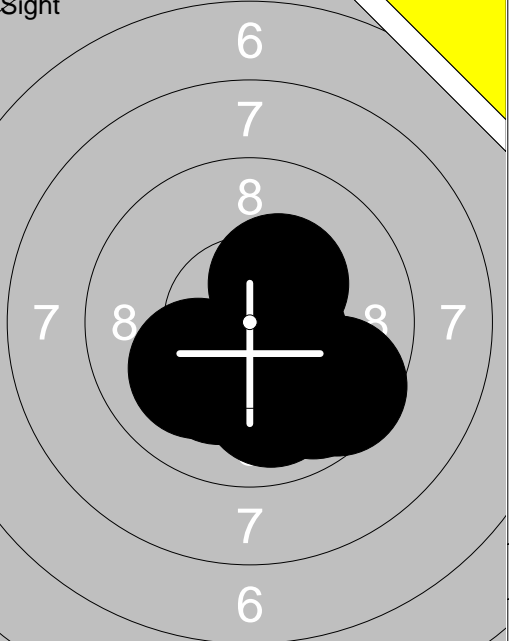
<p>40 Shots</p> 	<p>1: 8.8 ↗ 2: 4.2 ↓ 3: 0.0 ← 4: 8.5 ← 5: 9.5 ↗ 6: 8.0 ↓ 7: 1.3 ← 8: 6.4 ↓ 9: 3.3 ↗ 10: 7.7 →</p> <p>Series 57.7 Total 57.7</p>	<p>40 Shots</p> 	<p>11: 5.8 ↓ 12: 6.9 ← 13: 7.1 ← 14: 6.7 ↓ 15: 7.6 ↙ 16: 3.9 ↓ 17: 5.9 → 18: 5.1 ↓ 19: 8.7 ↓ 20: 7.7 ↗</p> <p>Series 65.4 Total 123.1</p>
-----------------------------------------------------------------------------------------------------------	---------------------------------------------------------------------------------------------------------------------------------------------------------------------------------------	------------------------------------------------------------------------------------------------------------	-------------------------------------------------------------------------------------------------------------------------------------------------------------------------------------------------

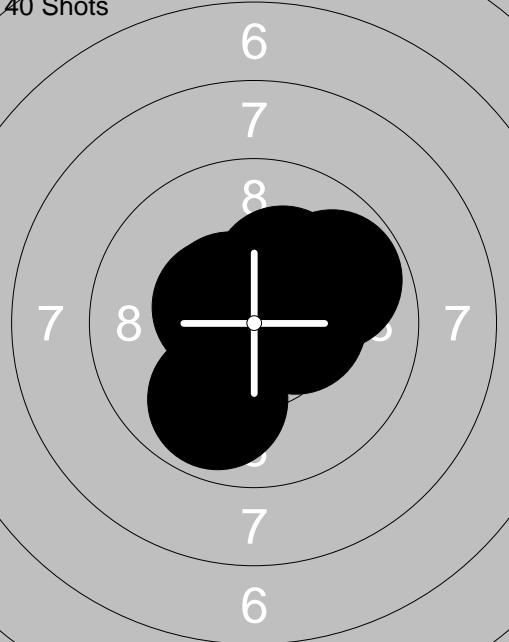

<p>40 Shots</p> 	<p>21: 7.2 ↓ 22: 8.2 ← 23: 5.0 ↓ 24: 10.1 ↓ 25: 6.6 ↗ 26: 7.0 ← 27: 8.1 → 28: 7.9 ↓ 29: 9.6 ↙ 30: 4.1 ↓</p> <p>Series 73.8 Total 196.9</p>	<p>40 Shots</p> 	<p>31: 8.6 ← 32: 9.8 ← 33: 7.2 ↓ 34: 8.1 ← 35: 9.5 ↗ 36: *10.9 ← 37: 8.5 ↓ 38: 5.7 ↓ 39: 1.0 ← 40: 7.4 ↓</p> <p>Series 76.7 Total 273.6</p>
-----------------------------------------------------------------------------------------------------------	--------------------------------------------------------------------------------------------------------------------------------------------------------------------------------------------------	-------------------------------------------------------------------------------------------------------------	---------------------------------------------------------------------------------------------------------------------------------------------------------------------------------------------------



<p>Sight</p> 	<p>1: 9.6 ↗</p> <p>2: 9.6 ←</p> <p>3: 7.1 ←</p> <p>4: 9.5 →</p> <p>5: 7.4 ←</p> <p>6: 7.4 ←</p> <p>7: 9.2 ←</p> <p>8: *10.4 →</p>	<p>40 Shots</p> 		<p>1: 7.0 →</p> <p>2: 8.9 ↗</p> <p>3: 7.9 ↑</p> <p>4: 9.0 ↓</p> <p>5: 8.6 ←</p> <p>6: 9.0 ↗</p> <p>7: 8.6 ←</p> <p>8: 6.8 →</p> <p>9: 9.6 →</p> <p>10: 8.9 ↓</p>
Series 70.2				Series 84.3
Total 0.0				Total 84.3

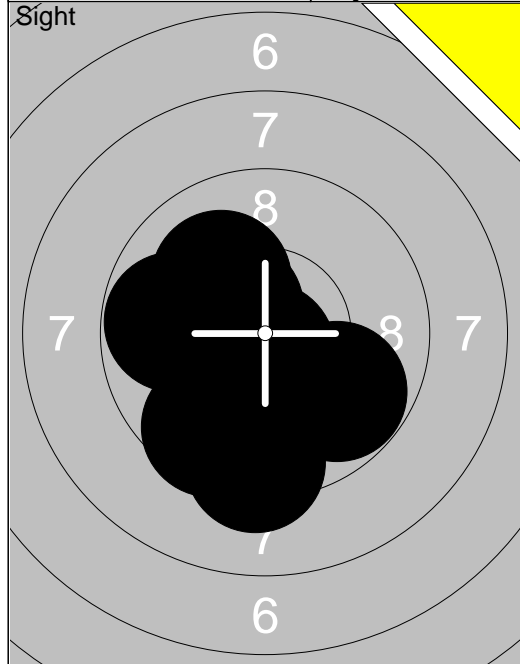
<p>40 Shots</p> 	<p>11: 9.5 ↓</p> <p>12: *10.5 ↓</p> <p>13: 6.5 →</p> <p>14: 7.7 →</p> <p>15: 8.5 →</p> <p>16: 8.4 ←</p> <p>17: 9.6 ↓</p> <p>18: *10.3 ↓</p> <p>19: 9.1 ↓</p> <p>20: 9.2 ←</p>	<p>40 Shots</p> 		<p>21: 9.7 ↙</p> <p>22: 7.3 ↓</p> <p>23: 8.0 ←</p> <p>24: 6.3 ←</p> <p>25: 7.7 →</p> <p>26: 8.4 ↓</p> <p>27: 7.9 ↙</p> <p>28: 8.6 ←</p> <p>29: 8.4 →</p> <p>30: 10.0 ↗</p>
Series 89.3				Series 82.3
Total 173.6				Total 255.9

<p>40 Shots</p> 	<p>31: 5.2 ↓</p> <p>32: 8.5 ↓</p> <p>33: 8.1 ↗</p> <p>34: 8.4 ↗</p> <p>35: 8.7 ←</p> <p>36: 8.2 ↑</p> <p>37: 9.6 ←</p> <p>38: *10.3 →</p> <p>39: 10.1 ↑</p> <p>40: 9.9 ↗</p>			
Series 87.0				
Total 342.9				

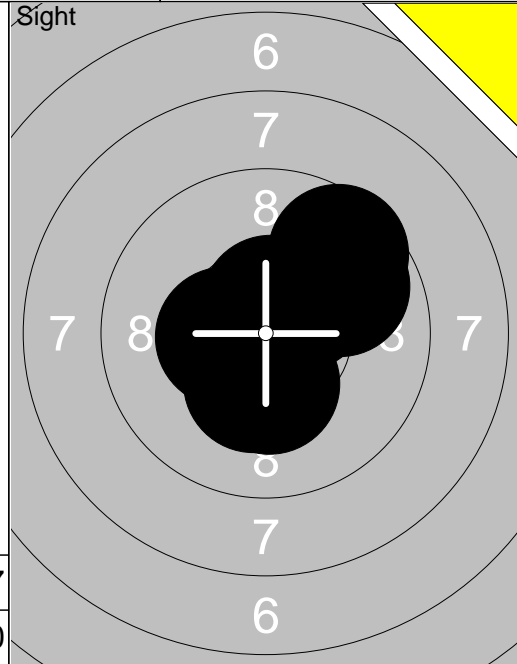
Sight		1: 9.3 →	Sight		11: 10.1 ↙
		2: 9.8 →			12: *10.2 ↙
		3: *10.2 ↘			13: 9.8 ↘
		4: 8.6 →		14: 10.0 ↓	
		5: *10.2 ↗		15: *10.5 ↘	
		6: *10.4 ↘		16: 9.6 ↘	
		7: 10.1 ↓		17: *10.3 ↗	
		8: 9.8 ↓		18: 10.0 ↓	
		9: *10.2 ↘			
		10: 9.4 ↘			
	Series 98.0			Series 80.5	
	Total 0.0			Total 0.0	

40 Shots		1: *10.5 ↘	40 Shots		11: *10.2 →
		2: *10.4 →			12: 9.8 →
		3: 9.8 ↗			13: *10.3 →
		4: *10.5 →		14: *10.5 ↘	
		5: *10.2 ↗		15: *10.3 ↘	
		6: *10.3 ↗		16: 10.1 ↓	
		7: *10.4 →		17: *10.4 ↗	
		8: 9.9 ↓		18: *10.4 ↑	
		9: *10.6 ↘		19: 10.1 ↗	
		10: *10.4 →		20: 10.1 ↑	
	Series 103.0			Series 102.2	
	Total 103.0			Total 205.2	

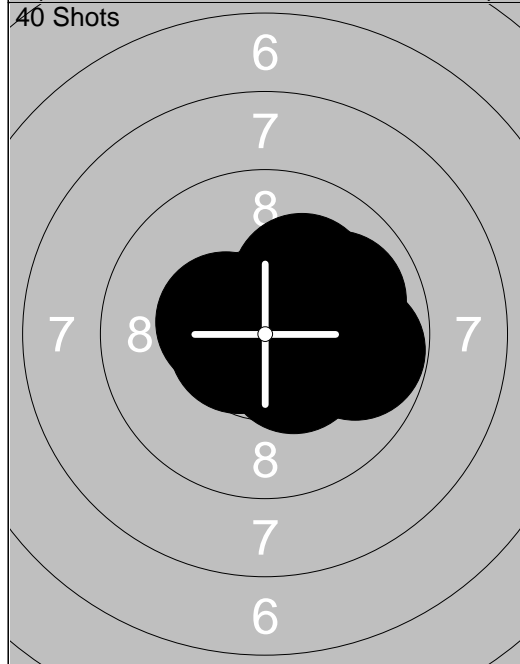
40 Shots		21: 10.0 ←	40 Shots		31: *10.2 ↘
		22: 9.5 ↑			32: 9.8 ↘
		23: 10.1 ←			33: *10.6 ↗
		24: 9.6 ←		34: *10.4 ↘	
		25: *10.2 ↘		35: 9.5 →	
		26: 9.8 ↗		36: 9.2 →	
		27: 9.9 →		37: *10.6 →	
		28: *10.5 ↘		38: 9.8 ↓	
		29: *10.6 →		39: 10.0 →	
		30: 9.4 ↗		40: 10.0 ↑	
	Series 99.6			Series 100.1	
	Total 304.8			Total 404.9	



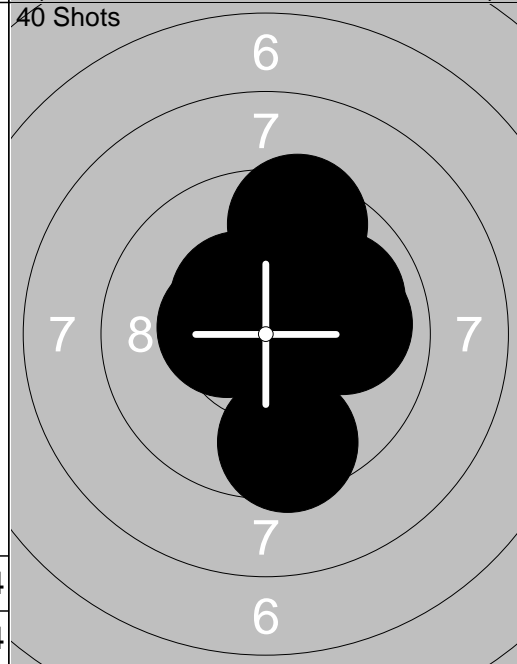
1:	10.1 ↖
2:	*10.7 ↓
3:	9.8 ←
4:	9.6 ↓
5:	9.3 ↓
6:	*10.4 ↙
7:	9.8 →
8:	*10.4 ↓
9:	*10.4 ↖
10:	*10.2 ↙
Series	100.7
Total	0.0



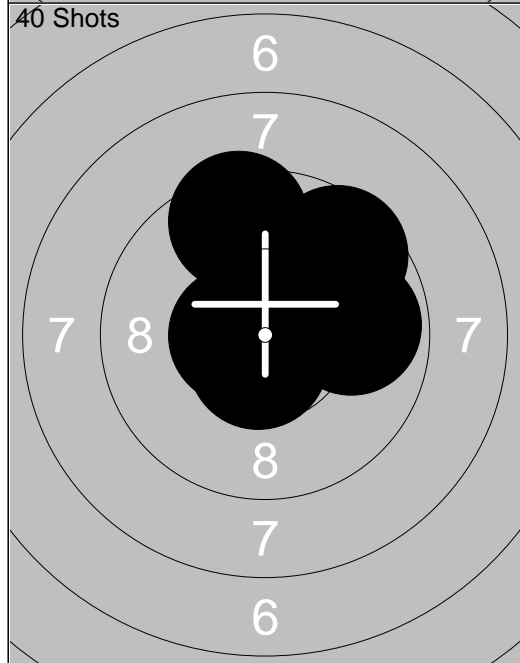
11:	*10.3 ↓
12:	9.6 ↗
13:	*10.4 ←
14:	*10.6 ↑
15:	*10.3 ↓
16:	9.8 ↗
17:	*10.4 ↗
18:	*10.7 ←
Series	82.1
Total	0.0



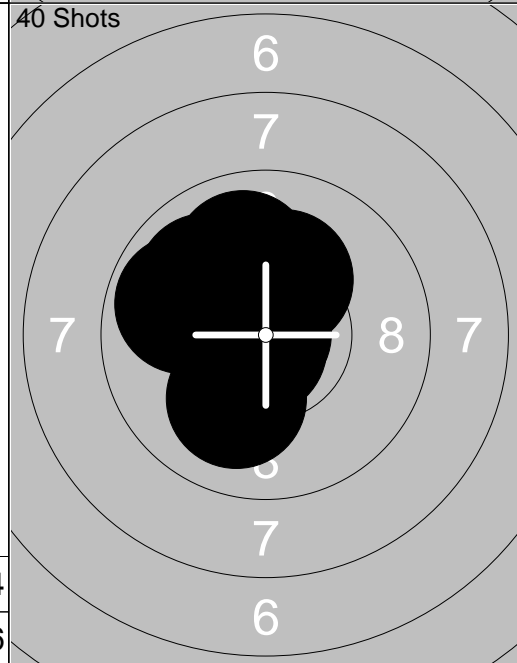
1:	*10.8 →
2:	9.8 →
3:	*10.4 ↓
4:	*10.5 ↗
5:	*10.3 ↗
6:	*10.2 ↗
7:	*10.5 →
8:	9.9 →
9:	*10.6 ←
10:	*10.4 ←
Series	103.4
Total	103.4



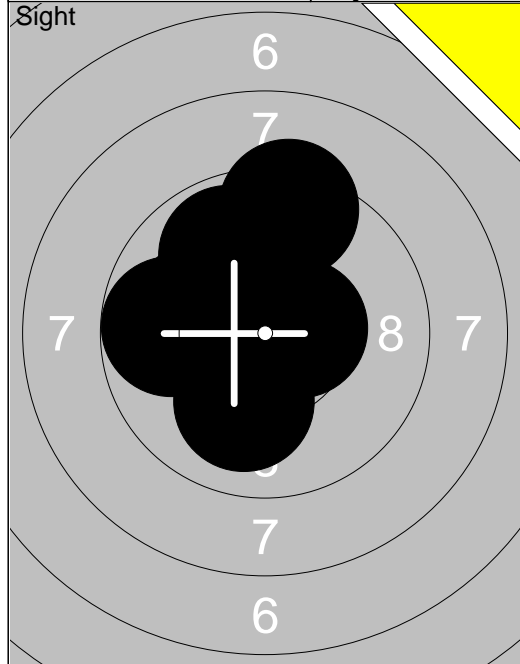
11:	*10.4 ↗
12:	10.0 →
13:	10.0 →
14:	*10.7 ↗
15:	9.5 ↑
16:	*10.5 ←
17:	*10.4 ↖
18:	9.5 ↓
19:	*10.4 ↗
20:	*10.4 ↗
Series	101.8
Total	205.2



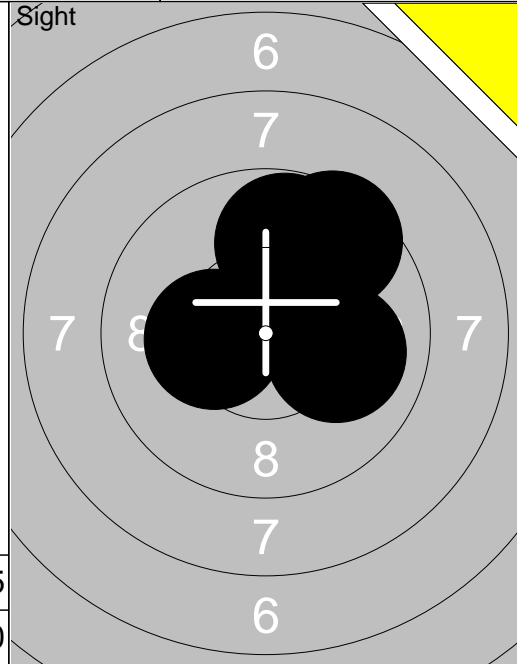
21:	*10.3 ↗
22:	9.6 ↗
23:	*10.3 ↑
24:	9.8 →
25:	9.5 ↑
26:	*10.6 ←
27:	*10.2 ↑
28:	*10.5 ↗
29:	*10.6 ↓
30:	10.0 ↑
Series	101.4
Total	306.6



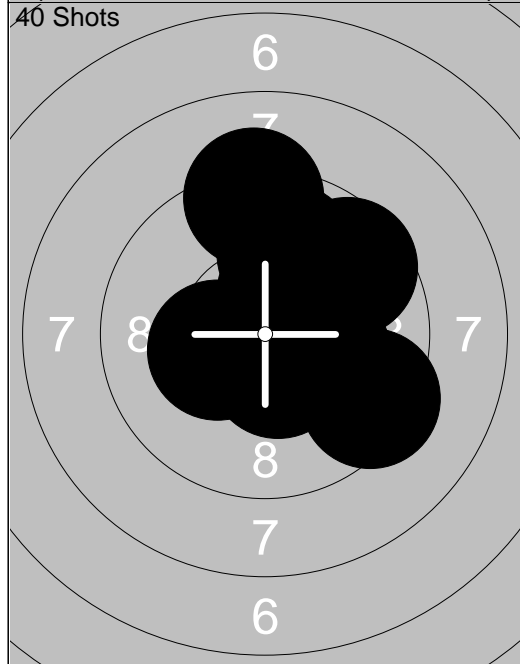
31:	*10.6 ↑
32:	10.1 ↓
33:	*10.9 ↙
34:	*10.2 ↑
35:	*10.5 ←
36:	10.0 ↖
37:	9.8 ←
38:	*10.9 ↙
39:	10.0 ↑
40:	*10.8 ↓
Series	103.8
Total	410.4



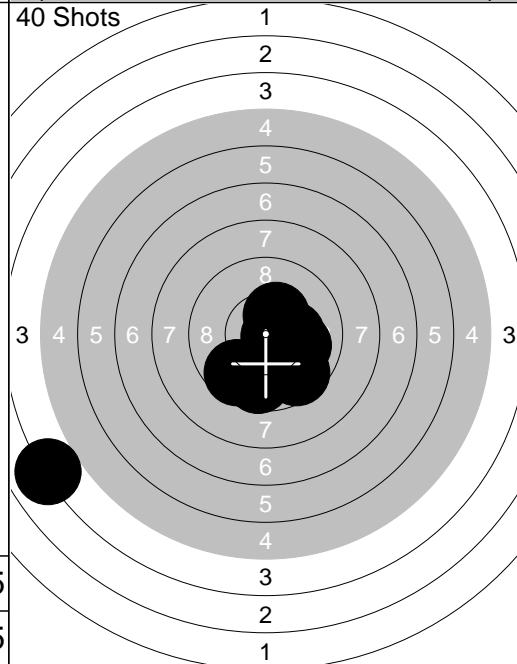
1:	*10.5	→
2:	9.3	↑
3:	*10.2	↘
4:	10.0	↓
5:	*10.4	←
6:	9.7	←
7:	10.1	←
8:	*10.3	←
9:	10.1	←
10:	9.9	↑
Series	100.5	
Total	0.0	



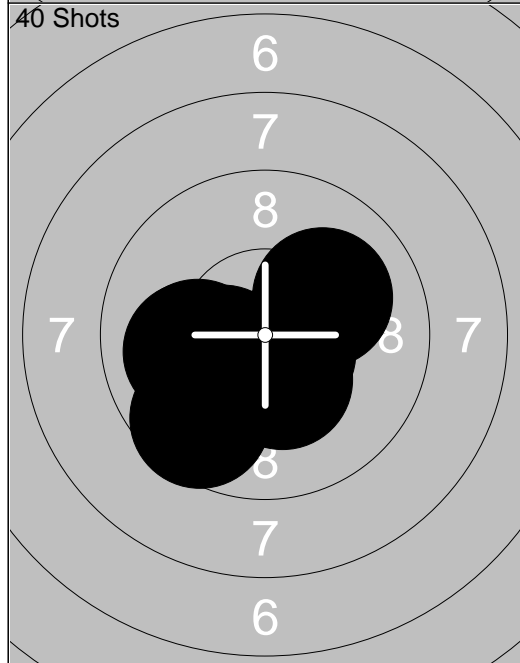
11:	*10.3	←
12:	*10.5	↗
13:	10.0	→
14:	9.8	↑
15:	9.5	↗
Series	50.1	
Total	0.0	



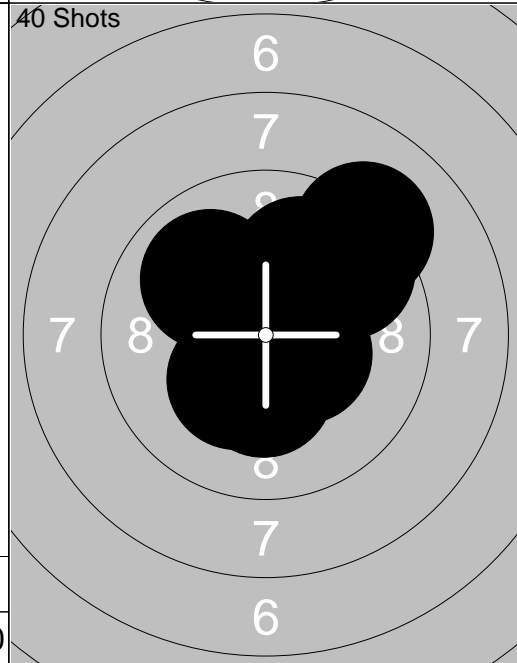
1:	9.2	↑
2:	*10.2	→
3:	*10.4	↗
4:	9.9	↑
5:	*10.3	↗
6:	*10.7	→
7:	9.6	↗
8:	*10.5	↓
9:	*10.3	←
10:	9.4	→
Series	100.5	
Total	100.5	



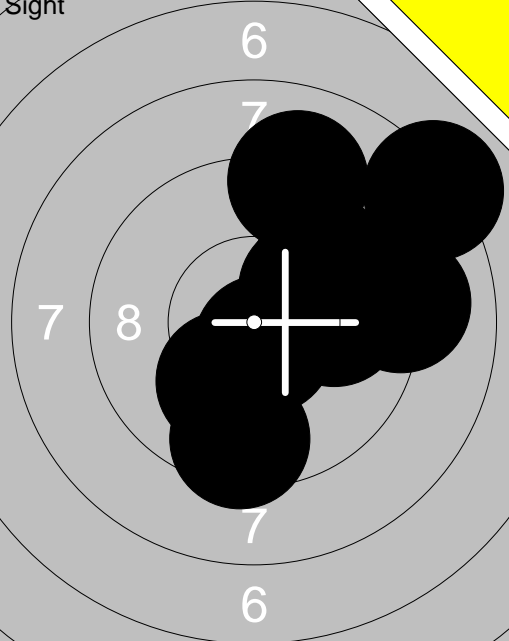
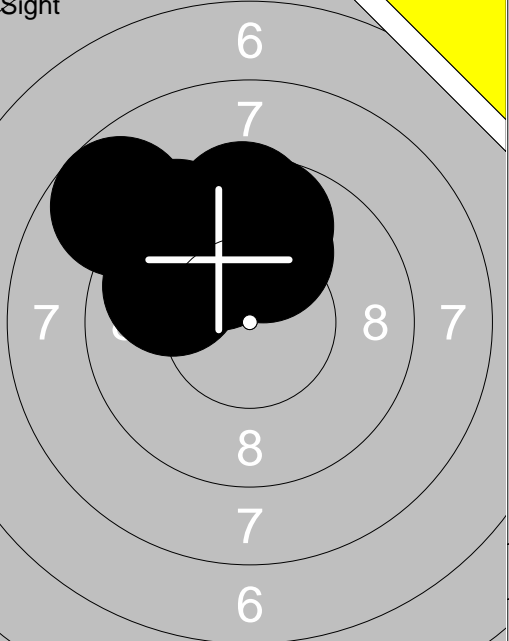
11:	*10.4	↗
12:	10.0	↓
13:	9.6	↓
14:	*10.3	→
15:	10.0	→
16:	*10.7	→
17:	4.0	←
18:	10.0	↓
19:	9.7	↘
20:	9.7	↓
Series	94.4	
Total	194.9	

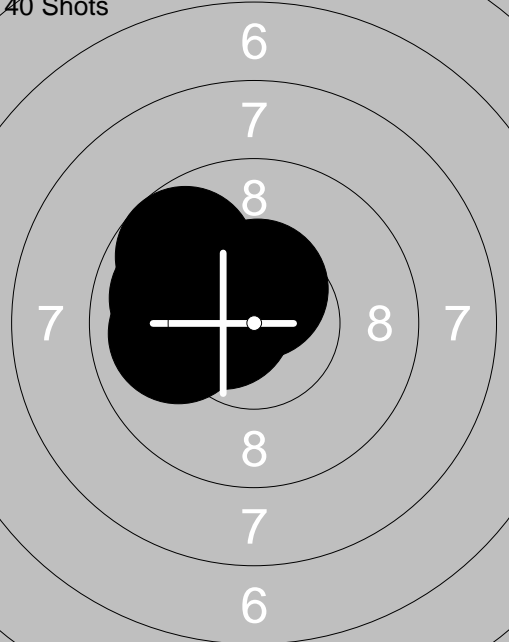



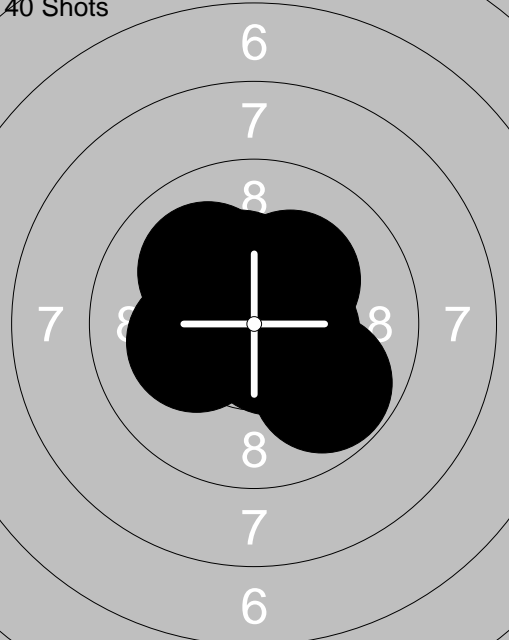
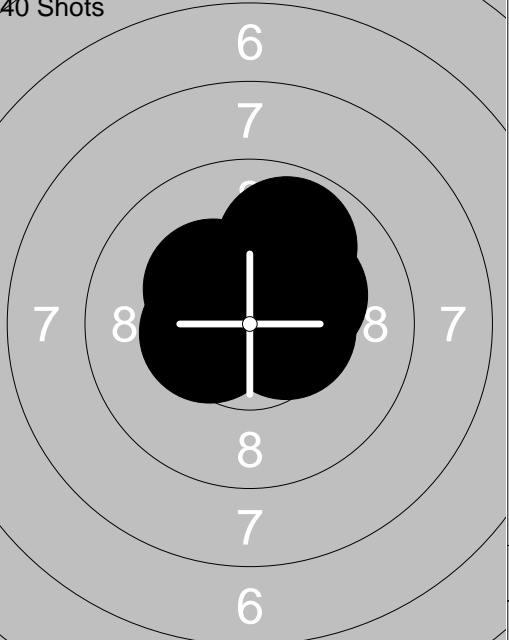
21:	*10.6	↓
22:	9.6	↘
23:	*10.4	↓
24:	10.1	←
25:	10.0	←
26:	*10.3	↓
27:	*10.3	↘
28:	*10.6	↓
29:	10.1	↗
30:	10.1	←
Series	102.1	
Total	297.0	

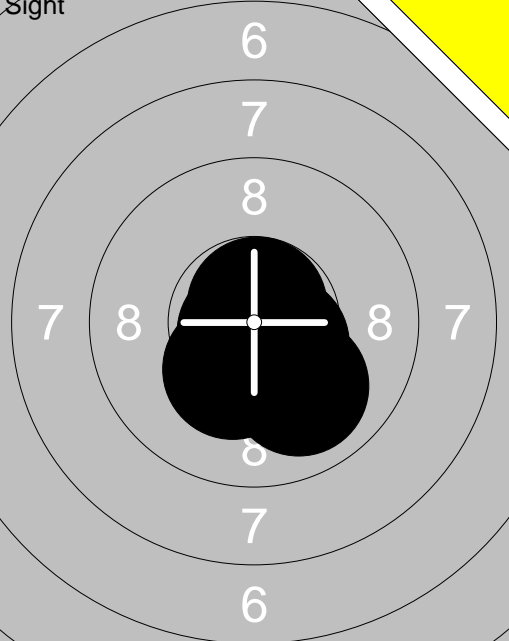



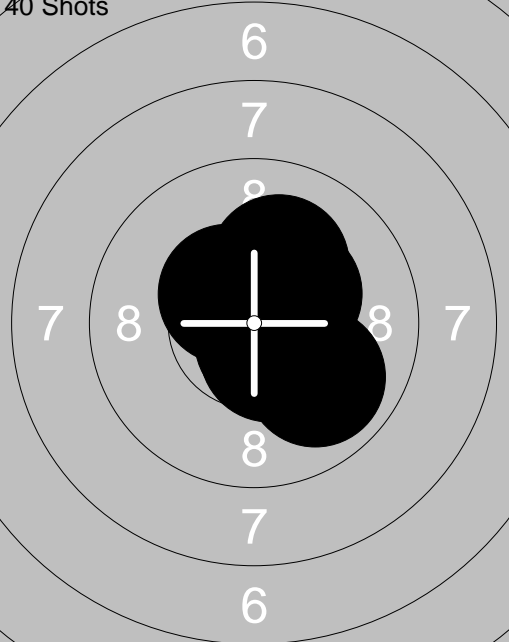

31:	*10.4	↗
32:	9.6	↗
33:	10.0	↑
34:	*10.3	↘
35:	9.1	↗
36:	10.0	↘
37:	*10.3	↓
38:	*10.4	→
39:	*10.3	↗
40:	*10.5	↑
Series	100.9	
Total	397.9	


<p>Sight</p> 	<p>1: 9.1 →</p> <p>2: 9.8 ↗</p> <p>3: 8.1 ↗</p> <p>4: 10.1 ↗</p> <p>5: 9.9 →</p> <p>6: 9.4 ↓</p> <p>7: 10.1 ↓</p> <p>8: 9.1 ↑</p> <p>9: *10.6 ↓</p> <p>10: *10.2 →</p> <hr/> <p>Series 96.4</p> <p>Total 0.0</p>	<p>Sight</p> 	<p>11: 9.4 ↖</p> <p>12: 10.0 ↑</p> <p>13: 10.1 ↖</p> <p>14: 8.7 ↖</p> <p>15: 9.9 ↖</p> <p>16: 9.9 ↑</p> <p>17: 9.7 ↑</p> <p>18: 9.5 ↑</p> <hr/> <p>Series 77.2</p> <p>Total 0.0</p>
-----------------------------------------------------------------------------------------------	------------------------------------------------------------------------------------------------------------------------------------------------------------------------------------------------------------------	-------------------------------------------------------------------------------------------------	-------------------------------------------------------------------------------------------------------------------------------------------------------------------------------------

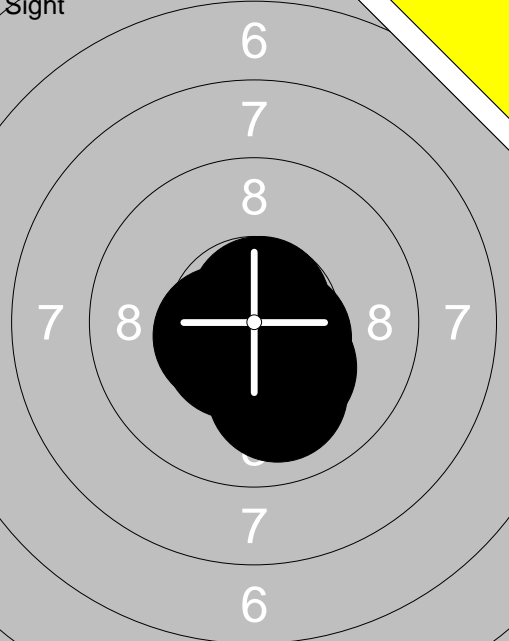

<p>40 Shots</p> 	<p>1: 9.7 ↖</p> <p>2: 9.9 ↖</p> <p>3: *10.2 ↖</p> <p>4: *10.5 ↑</p> <p>5: *10.5 ↖</p> <p>6: 10.0 ↖</p> <p>7: *10.2 ↖</p> <p>8: *10.5 ↖</p> <p>9: *10.3 ↖</p> <p>10: *10.5 ↖</p> <hr/> <p>Series 102.3</p> <p>Total 102.3</p>	<p>40 Shots</p> 	<p>11: *10.3 ↖</p> <p>12: 9.9 →</p> <p>13: 9.8 ↘</p> <p>14: 9.6 ↖</p> <p>15: 9.4 ↑</p> <p>16: *10.7 ↘</p> <p>17: *10.7 →</p> <p>18: 10.0 →</p> <p>19: *10.2 ↘</p> <p>20: *10.5 ↖</p> <hr/> <p>Series 101.1</p> <p>Total 203.4</p>
---------------------------------------------------------------------------------------------------	------------------------------------------------------------------------------------------------------------------------------------------------------------------------------------------------------------------------------	-----------------------------------------------------------------------------------------------------	-----------------------------------------------------------------------------------------------------------------------------------------------------------------------------------------------------------------------------------


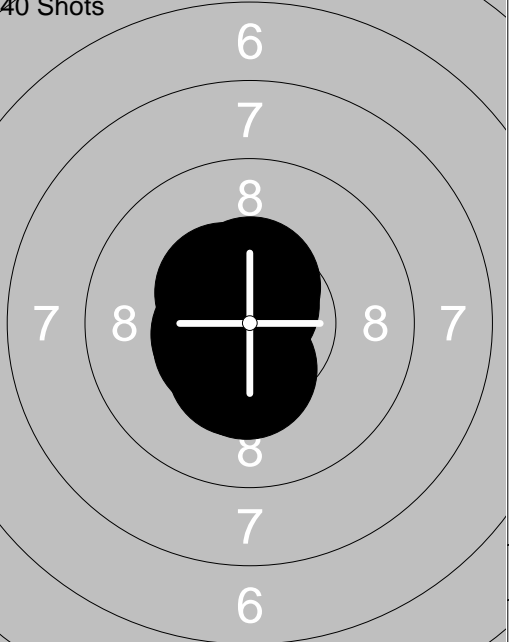
<p>40 Shots</p> 	<p>21: 9.8 ↘</p> <p>22: *10.2 ↗</p> <p>23: *10.5 →</p> <p>24: *10.4 ↑</p> <p>25: 10.1 ↖</p> <p>26: *10.2 ↖</p> <p>27: *10.6 ↓</p> <p>28: *10.8 ↖</p> <p>29: *10.7 ↗</p> <p>30: *10.7 ↓</p> <hr/> <p>Series 104.0</p> <p>Total 307.4</p>	<p>40 Shots</p> 	<p>31: *10.5 →</p> <p>32: *10.3 ↖</p> <p>33: *10.6 ↗</p> <p>34: *10.2 ↗</p> <p>35: *10.5 →</p> <p>36: 9.9 ↑</p> <p>37: *10.4 ↖</p> <p>38: *10.8 →</p> <p>39: 10.1 ↗</p> <p>40: *10.8 ↗</p> <hr/> <p>Series 104.1</p> <p>Total 411.5</p>
----------------------------------------------------------------------------------------------------	-----------------------------------------------------------------------------------------------------------------------------------------------------------------------------------------------------------------------------------------	------------------------------------------------------------------------------------------------------	-----------------------------------------------------------------------------------------------------------------------------------------------------------------------------------------------------------------------------------------


<p>Sight</p> 	<p>1: 10.0 ↘</p> <p>2: *10.8 ↘</p> <p>3: *10.6 ↘</p> <p>4: *10.3 ↘</p> <p>5: *10.5 ↘</p> <p>6: *10.7 ↗</p>	<p>40 Shots</p> 		<p>1: 9.6 ↗</p> <p>2: *10.6 ↘</p> <p>3: *10.7 ↘</p> <p>4: *10.8 ↗</p> <p>5: *10.5 ↘</p> <p>6: *10.4 ↗</p> <p>7: *10.4 ↗</p> <p>8: *10.9 ➤</p> <p>9: *10.6 ➤</p> <p>10: *10.7 ➤</p>
Series 62.9				Series 105.2
Total 0.0				Total 105.2

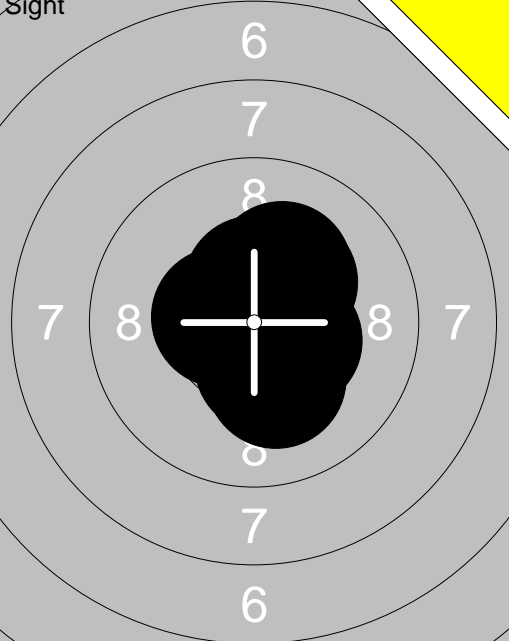
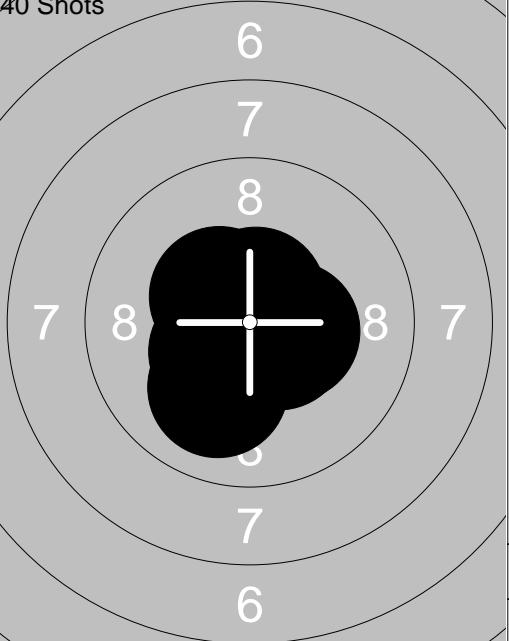
<p>40 Shots</p> 	<p>11: 10.1 ↗</p> <p>12: *10.5 ↗</p> <p>13: *10.5 ↘</p> <p>14: *10.5 ↘</p> <p>15: *10.3 ↗</p> <p>16: *10.7 ↘</p> <p>17: *10.6 ➤</p> <p>18: *10.8 ➤</p> <p>19: 9.9 ↘</p> <p>20: *10.7 ↘</p>	<p>40 Shots</p> 		<p>21: *10.8 ↗</p> <p>22: *10.7 ↘</p> <p>23: *10.3 ↗</p> <p>24: *10.7 ➤</p> <p>25: 9.5 ↘</p> <p>26: *10.3 ↘</p> <p>27: *10.5 ↘</p> <p>28: *10.7 ➤</p> <p>29: *10.3 ↘</p> <p>30: *10.5 ↘</p>
Series 104.6				Series 104.3
Total 209.8				Total 314.1

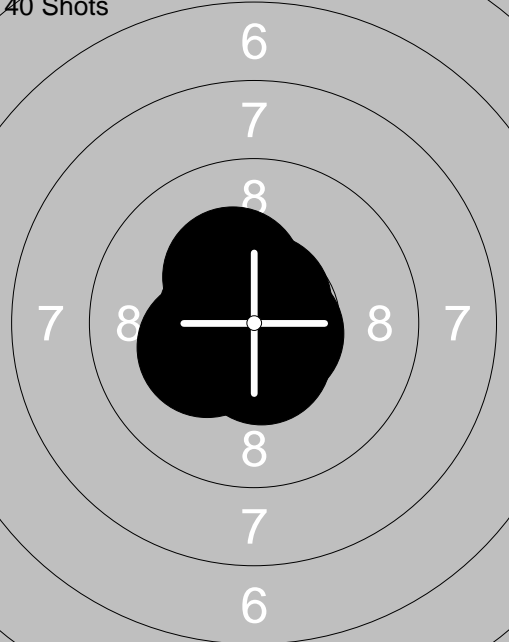
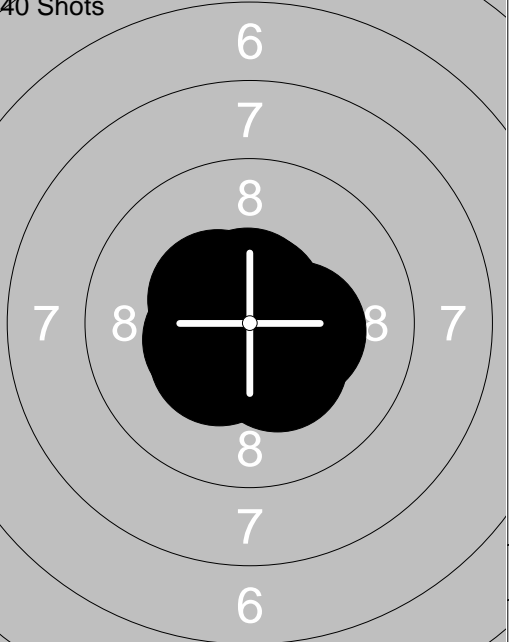
<p>40 Shots</p> 	<p>31: *10.6 ➤</p> <p>32: *10.4 ↘</p> <p>33: *10.6 ↘</p> <p>34: *10.3 ➤</p> <p>35: *10.6 ↘</p> <p>36: *10.7 ➤</p> <p>37: *10.4 ↘</p> <p>38: *10.3 ↘</p> <p>39: *10.8 ↘</p> <p>40: *10.5 ↗</p>			
Series 105.2				
Total 419.3				


<p>Sight</p> 	<p>40 Shots</p> 	<p>1: *10.5↘</p> <p>2: *10.2↘</p> <p>3: *10.3↘</p> <p>4: *10.5↘</p> <p>5: *10.5↘</p> <p>6: *10.6→</p> <p>7: *10.7↘</p> <p>8: 10.0 ↓</p> <p>9: *10.7↗</p> <p>10: *10.9↗</p> <hr/> <p>Series 104.9</p> <p>Total 0.0</p>	<p>1: *10.6↗</p> <p>2: *10.7↗</p> <p>3: *10.3↖</p> <p>4: *10.6↗</p> <p>5: *10.7→</p> <p>6: *10.5↖</p> <p>7: *10.8↘</p> <p>8: *10.6↗</p> <p>9: *10.4↗</p> <p>10: *10.4↖</p> <hr/> <p>Series 105.6</p> <p>Total 105.6</p>
-----------------------------------------------------------------------------------------------	----------------------------------------------------------------------------------------------------	-----------------------------------------------------------------------------------------------------------------------------------------------------------------------------------------------------------------------	-------------------------------------------------------------------------------------------------------------------------------------------------------------------------------------------------------------------------


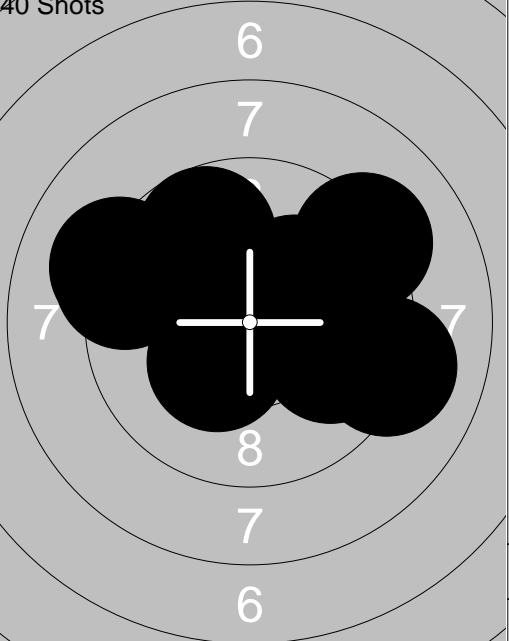
<p>40 Shots</p> 	<p>40 Shots</p> 	<p>11: *10.2↗</p> <p>12: *10.7→</p> <p>13: *10.5↘</p> <p>14: *10.5→</p> <p>15: *10.6↗</p> <p>16: *10.6↗</p> <p>17: *10.6↗</p> <p>18: *10.7↗</p> <p>19: *10.5↗</p> <p>20: *10.6↘</p> <hr/> <p>Series 105.5</p> <p>Total 211.1</p>	<p>21: *10.4↘</p> <p>22: *10.5↖</p> <p>23: *10.4↘</p> <p>24: *10.4↘</p> <p>25: *10.5↖</p> <p>26: *10.6↖</p> <p>27: *10.5↗</p> <p>28: *10.4↖</p> <p>29: *10.7↗</p> <p>30: *10.6↖</p> <hr/> <p>Series 105.0</p> <p>Total 316.1</p>
---------------------------------------------------------------------------------------------------	-----------------------------------------------------------------------------------------------------	----------------------------------------------------------------------------------------------------------------------------------------------------------------------------------------------------------------------------------	----------------------------------------------------------------------------------------------------------------------------------------------------------------------------------------------------------------------------------

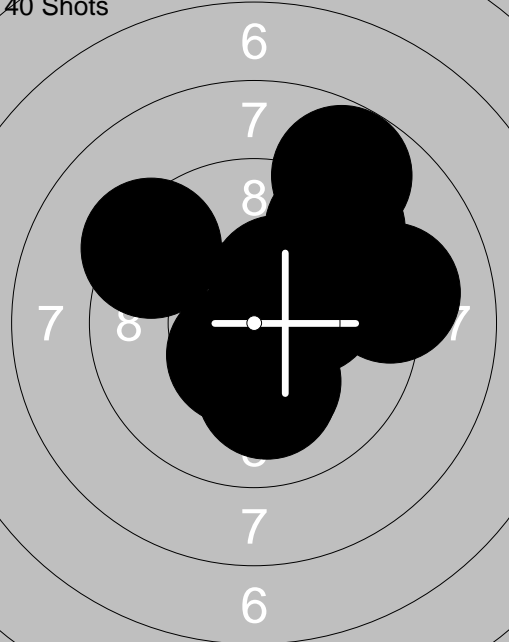
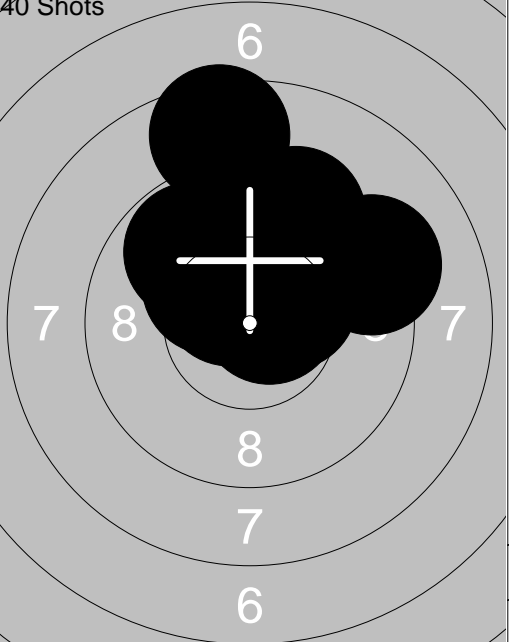
<p>40 Shots</p> 	<p>31: *10.5↖</p> <p>32: *10.6↖</p> <p>33: *10.8↖</p> <p>34: *10.8→</p> <p>35: *10.5↖</p> <p>36: *10.7↖</p> <p>37: *10.7↖</p> <p>38: *10.6↗</p> <p>39: *10.4↖</p> <p>40: *10.7↘</p> <hr/> <p>Series 106.3</p> <p>Total 422.4</p>		
----------------------------------------------------------------------------------------------------	----------------------------------------------------------------------------------------------------------------------------------------------------------------------------------------------------------------------------------	--	--

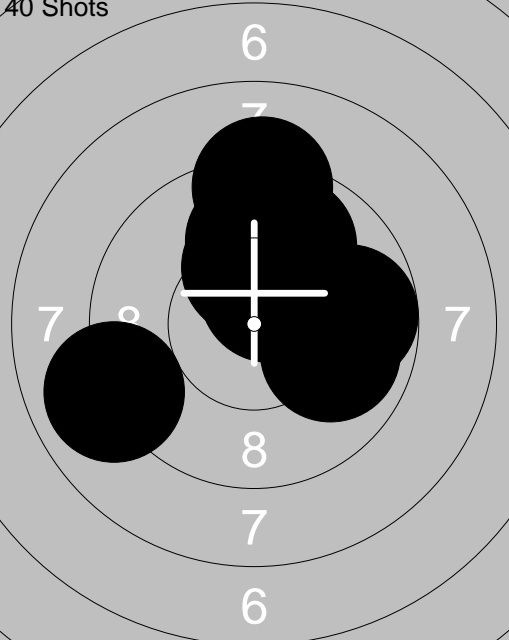
<p>Sight</p> 	<p>40 Shots</p> 	<p>1: *10.5↑</p> <p>2: *10.3↗</p> <p>3: *10.4➤</p> <p>4: *10.2↗</p> <p>5: *10.4↓</p> <p>6: *10.2↓</p> <p>7: *10.5↖</p> <p>8: *10.6↗</p>
Series 83.1		1: *10.7↘
Total 0.0		2: *10.6↖
		3: 10.0 ↓
		4: *10.6↑
		5: *10.5➤
		6: *10.8↗
		7: *10.7↘
		8: *10.4➤
		9: *10.4↖
		10: *10.4↘
		Series 105.1
		Total 105.1

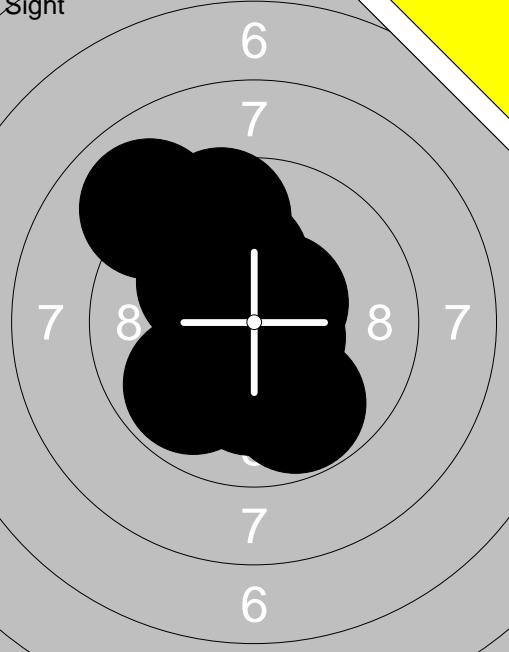
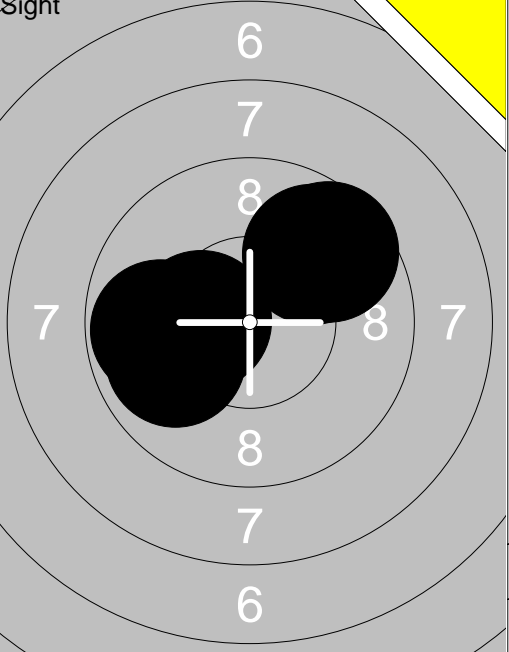
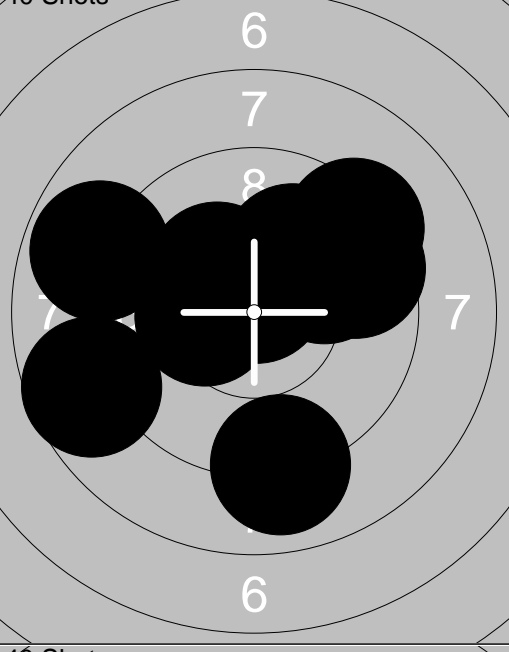
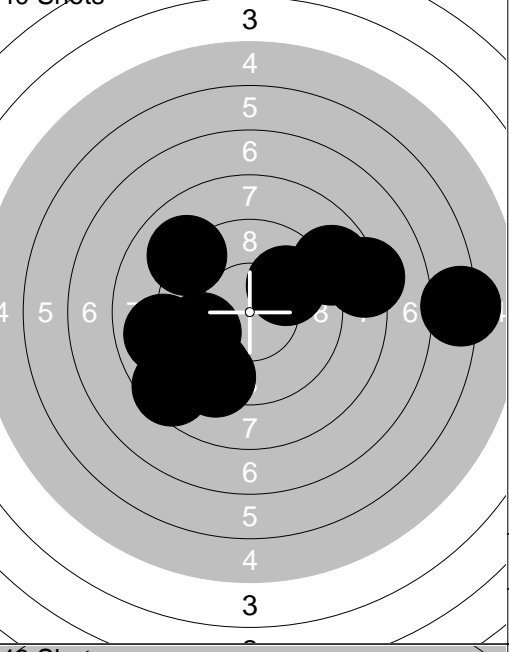
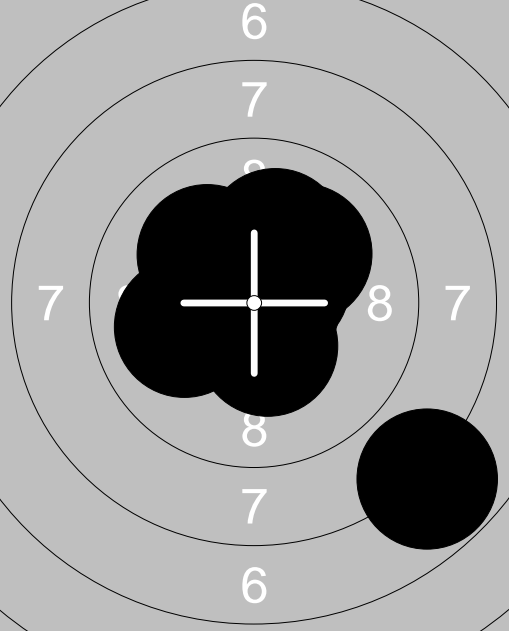
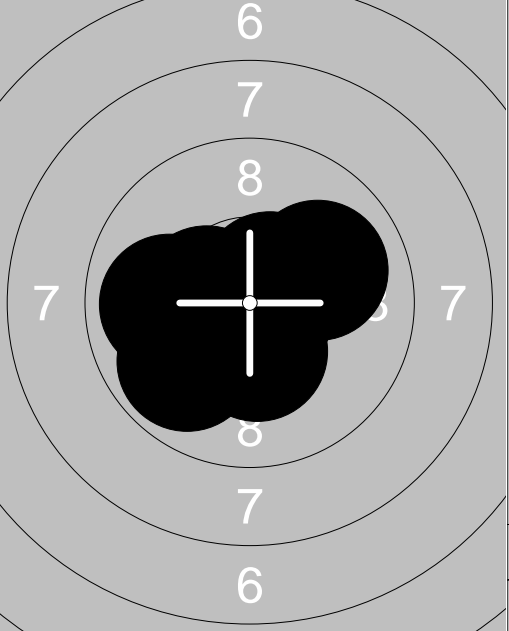
<p>40 Shots</p> 	<p>40 Shots</p> 	<p>11: *10.8↖</p> <p>12: *10.3↖</p> <p>13: *10.6↑</p> <p>14: *10.3↖</p> <p>15: *10.7➤</p> <p>16: *10.5↓</p> <p>17: *10.7➤</p> <p>18: *10.5↖</p> <p>19: *10.7↑</p> <p>20: *10.6↖</p>
Series 105.7		21: *10.7↑
Total 210.8		22: *10.8↖
		23: *10.4↖
		24: *10.4↘
		25: *10.4↖
		26: *10.7↖
		27: *10.3↘
		28: *10.6↑
		29: *10.7↑
		30: *10.4➤
		Series 105.4
		Total 316.2

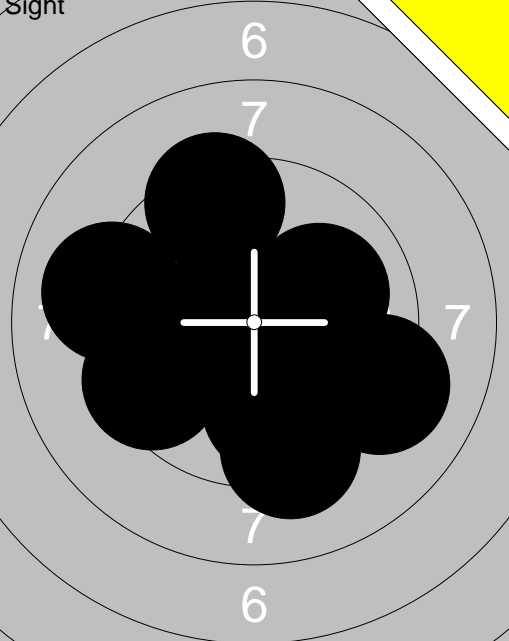
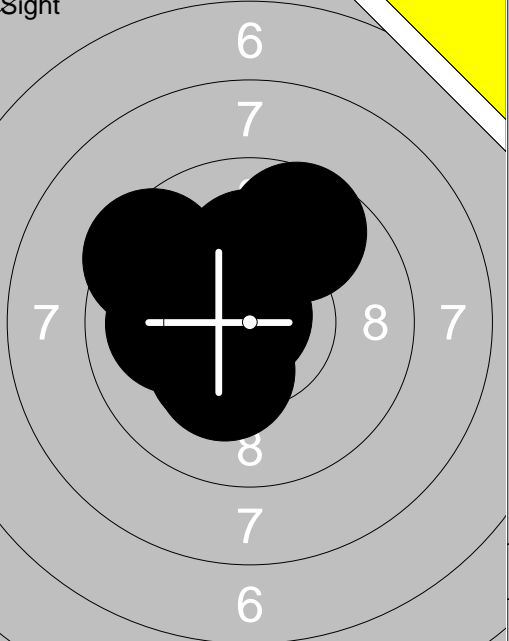
<p>40 Shots</p> 	<p>31: 10.1↖</p> <p>32: *10.8↖</p> <p>33: *10.5↖</p> <p>34: *10.6↖</p> <p>35: *10.4↓</p> <p>36: *10.5↓</p> <p>37: *10.7↓</p> <p>38: *10.2↘</p> <p>39: *10.5↓</p> <p>40: *10.4↑</p>	
Series 104.7		
Total 420.9		

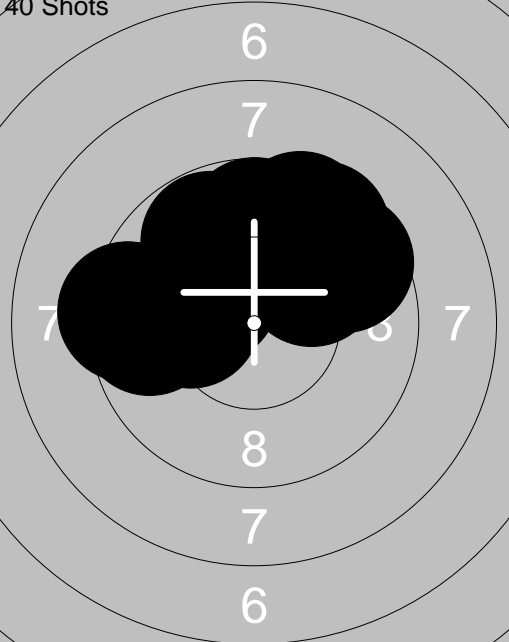
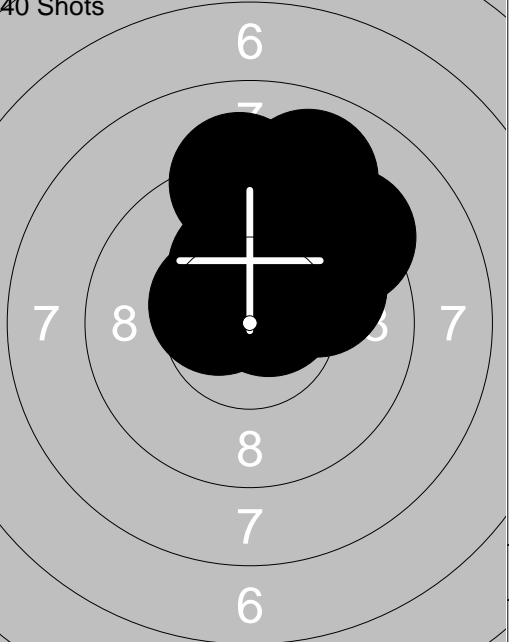
<p>Sight</p> 	<p>1: *10.3 ↘ 2: *10.2 ↑ 3: *10.4 ↙ 4: 9.3 ↓ 5: 9.5 → 6: *10.6 ↙</p>	<p>40 Shots</p> 
	Series 60.3	
	Total 0.0	
		Series 97.4
		Total 97.4

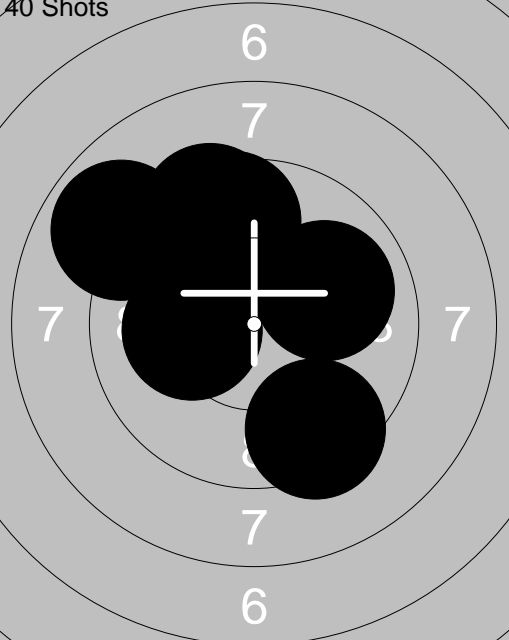
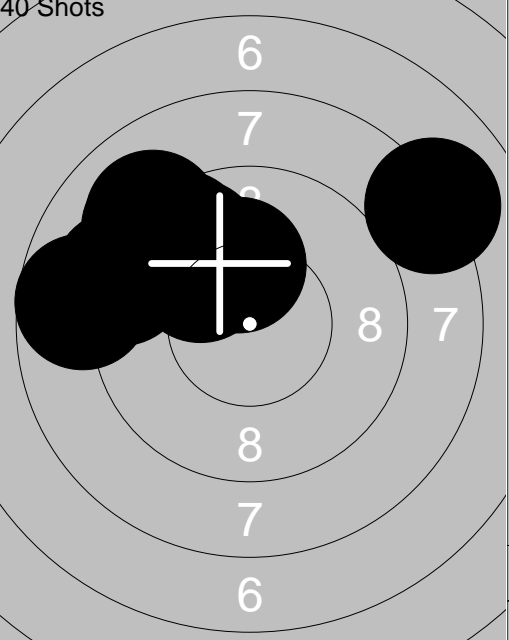
<p>40 Shots</p> 	<p>11: 9.5 → 12: *10.5 ↙ 13: *10.2 → 14: 9.4 ↗ 15: *10.2 ↓ 16: 9.2 → 17: *10.4 ↗ 18: 8.8 ↗ 19: 9.3 ↖ 20: 10.1 ↓</p>	<p>40 Shots</p> 
	Series 97.6	
	Total 195.0	
		Series 98.8
		Total 293.8

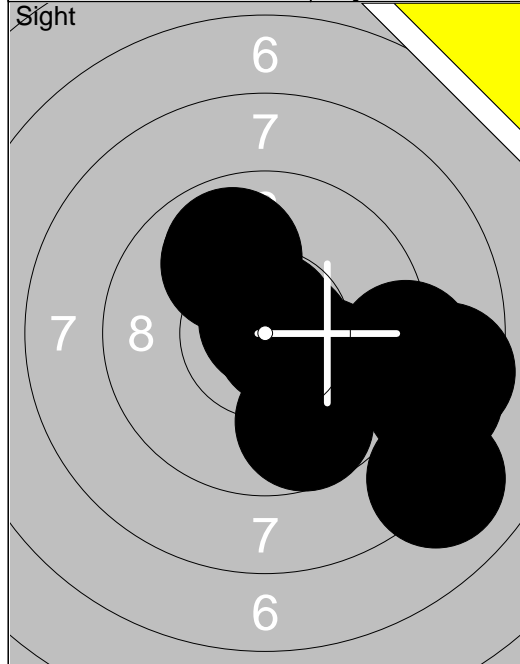
<p>40 Shots</p> 	<p>31: 9.0 ↖ 32: *10.5 ↗ 33: *10.2 ↑ 34: *10.5 ↗ 35: 9.9 ↗ 36: 9.8 ↑ 37: 9.7 → 38: 9.9 ↑ 39: 9.2 ↑ 40: 9.9 →</p>	
	Series 98.6	
	Total 392.4	

Relay	Lane	Robin Persson	
10m	Ramselefors		Vb
11.01.2014	Skyttheaden Distriktsfinal 2014-	Ramselefors SKF	
Sight		1: 9.8 ↘ 2: 10.1 ↓ 3: *10.6 ↘ 4: *10.4 ↘ 5: 9.0 ↖ 6: 9.6 ↑ 7: *10.6 ↗ 8: *10.2 ↘ 9: *10.2 ↑ 10: 9.8 ↘ Series 100.3 Total 0.0	Sight
			11: 9.8 ← 12: 9.9 ↖ 13: 9.6 ↗ 14: 9.8 ↗ 15: *10.3 ↖ Series 49.4 Total 0.0
40 Shots		1: 9.5 ↗ 2: *10.3 ↘ 3: *10.7 ↑ 4: *10.3 ↖ 5: 9.9 ↗ 6: 8.8 ← 7: 9.3 ↗ 8: 10.1 ↗ 9: 8.7 ← 10: 9.0 ↓ Series 96.6 Total 96.6	40 Shots
			11: 8.5 ↖ 12: 9.8 ← 13: 9.4 ↖ 14: 8.9 ← 15: 9.0 ↖ 16: 8.8 ↗ 17: 9.3 ↖ 18: 8.2 → 19: 6.2 → 20: 9.9 ↗ Series 88.0 Total 184.6
40 Shots		21: 10.1 ↗ 22: 10.0 ← 23: 10.1 ↑ 24: *10.7 ↖ 25: 10.1 ↖ 26: *10.5 ↗ 27: *10.8 ↖ 28: 7.8 ↘ 29: *10.5 ↗ 30: *10.4 ↓ Series 101.0 Total 285.6	40 Shots
			31: 9.9 ← 32: *10.4 ↓ 33: *10.3 ↓ 34: *10.4 ↖ 35: *10.6 ↗ 36: 10.1 ← 37: 10.0 ↗ 38: *10.7 → 39: *10.9 ↖ 40: 9.9 ↖ Series 103.2 Total 388.8

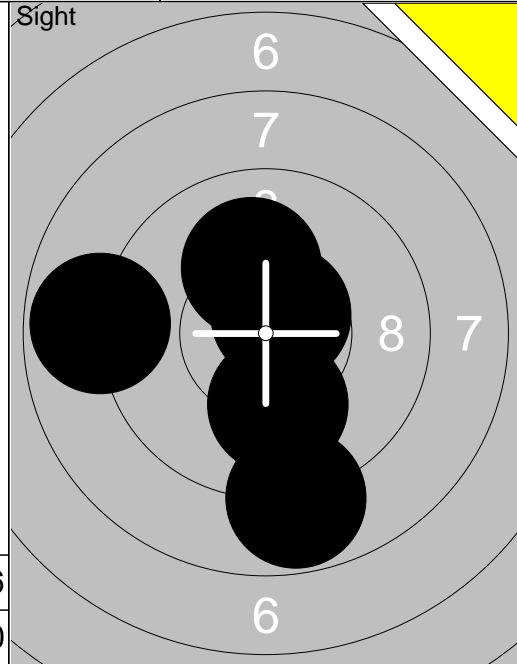
<p>Sight</p> 	<p>1: 9.1 ← 2: 9.5 ↙ 3: 9.6 ← 4: 9.9 ↓ 5: *10.4 ← 6: 9.2 → 7: 9.3 ↓ 8: 10.0 ↓ 9: 10.0 → 10: 9.3 ↑</p> <p>Series 96.3 Total 0.0</p>	<p>Sight</p> 	<p>11: *10.8 ↘ 12: *10.2 ↑ 13: 10.0 ← 14: 9.7 ↗ 15: *10.3 ↘ 16: 10.0 ↘ 17: 9.5 ↘ 18: *10.6 ↘ 19: *10.3 ↘ 20: *10.2 ↘</p> <p>Series 101.6 Total 0.0</p>
-----------------------------------------------------------------------------------------------	-------------------------------------------------------------------------------------------------------------------------------------------------------------------------------------------------------------------------------------------------------------------------------------------------------------------------------------	-------------------------------------------------------------------------------------------------	---------------------------------------------------------------------------------------------------------------------------------------------------------------------------------------------------------------------------------------------------------------------------------------------------------------------------------------------------------

<p>40 Shots</p> 	<p>1: 9.6 ← 2: 9.3 ← 3: 9.5 ↗ 4: 9.8 ↗ 5: *10.3 ↘ 6: 9.5 ↗ 7: 9.7 ↑ 8: 10.1 ← 9: 10.0 ↗ 10: 9.6 ↗</p> <p>Series 97.4 Total 97.4</p>	<p>40 Shots</p> 	<p>11: 9.3 ↗ 12: *10.5 ↗ 13: *10.2 ↗ 14: *10.3 ↗ 15: *10.6 ↗ 16: *10.3 ↗ 17: *10.5 ↘ 18: 10.0 ↗ 19: 9.1 ↑ 20: 9.0 ↗</p> <p>Series 99.8 Total 197.2</p>
---------------------------------------------------------------------------------------------------	--------------------------------------------------------------------------------------------------------------------------------------------------------------------------------------------------------------------------------------------------------------------------------------------------------------------------------------	-----------------------------------------------------------------------------------------------------	---------------------------------------------------------------------------------------------------------------------------------------------------------------------------------------------------------------------------------------------------------------------------------------------------------------------------------------------------------

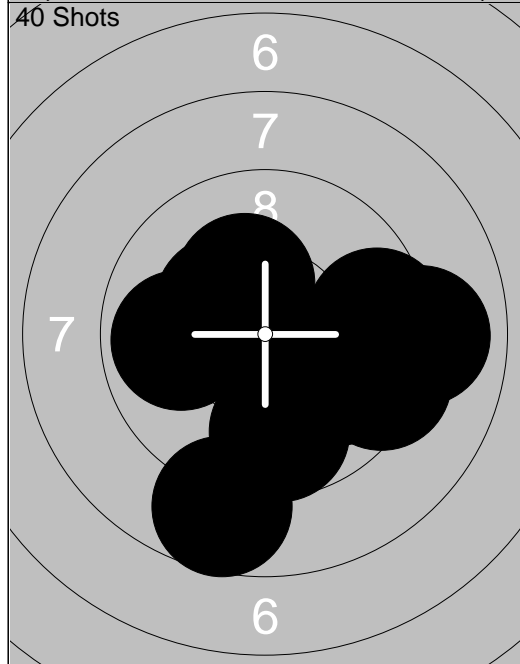
<p>40 Shots</p> 	<p>21: 9.7 ↗ 22: 10.0 → 23: 9.4 ↓ 24: 9.6 ↑ 25: 9.7 ↑ 26: *10.2 ← 27: 10.0 ↗ 28: 8.9 ← 29: 9.4 ↑ 30: 10.0 ↗</p> <p>Series 96.9 Total 294.1</p>	<p>40 Shots</p> 	<p>31: 8.7 ← 32: 9.7 ↗ 33: 9.0 ↗ 34: 9.1 ↗ 35: 9.1 ← 36: 8.1 ↗ 37: 9.5 ↗ 38: *10.2 ↗ 39: 10.0 ↗ 40: 9.5 ↗</p> <p>Series 92.9 Total 387.0</p>
----------------------------------------------------------------------------------------------------	-------------------------------------------------------------------------------------------------------------------------------------------------------------------------------------------------------------------------------------------------------------------------------------------------------------------------------------------------	------------------------------------------------------------------------------------------------------	-----------------------------------------------------------------------------------------------------------------------------------------------------------------------------------------------------------------------------------------------------------------------------------------------------------------------------------------------



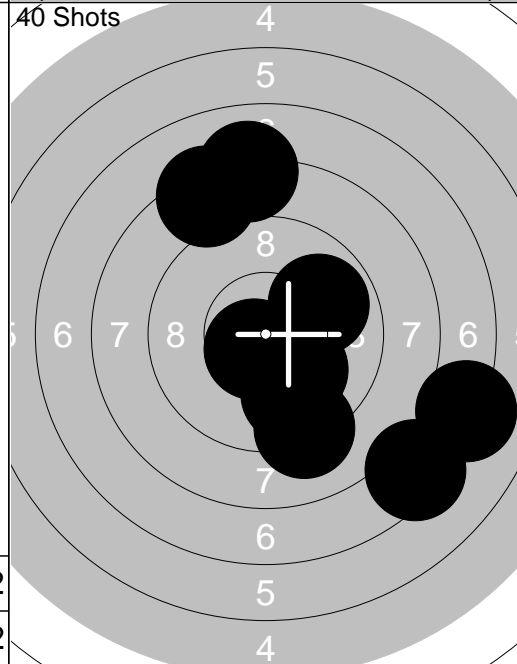
1: 9.9 ↗
2: 8.6 →
3: 8.6 →
4: *10.8 ↗
5: 9.7 ↓
6: 10.1 ↘
7: *10.7 →
8: 10.0 ↗
9: 8.1 ↘
10: 9.1 →
Series 95.6
Total 0.0



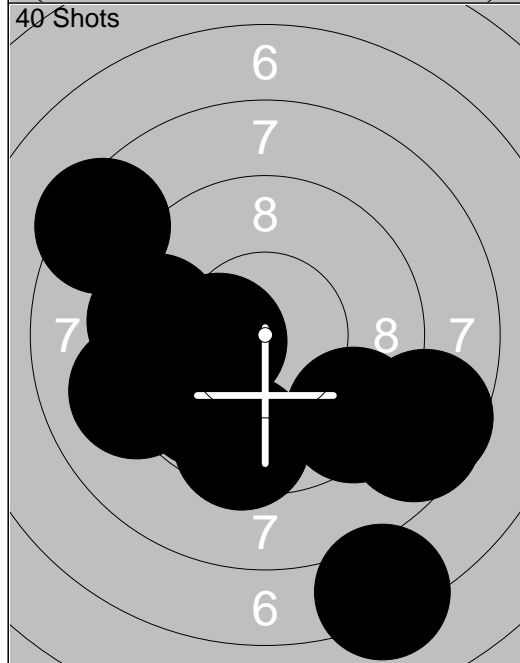
11: 8.8 ←
12: *10.6 ↗
13: 10.1 ↗
14: 8.8 ↓
15: 10.0 ↓
Series 48.3
Total 0.0



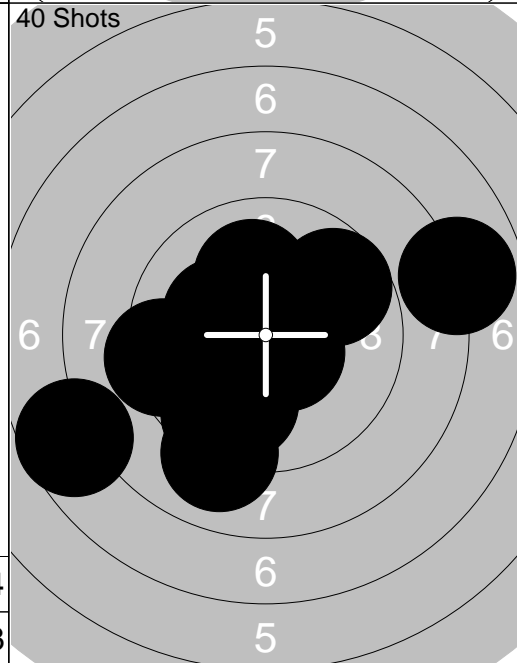
1: *10.3 ↘
2: 9.9 ↘
3: 9.7 ↓
4: 9.4 →
5: *10.5 ↘
6: 9.5 →
7: *10.3 ↗
8: 8.7 ↓
9: 9.0 →
10: 9.9 ←
Series 97.2
Total 97.2



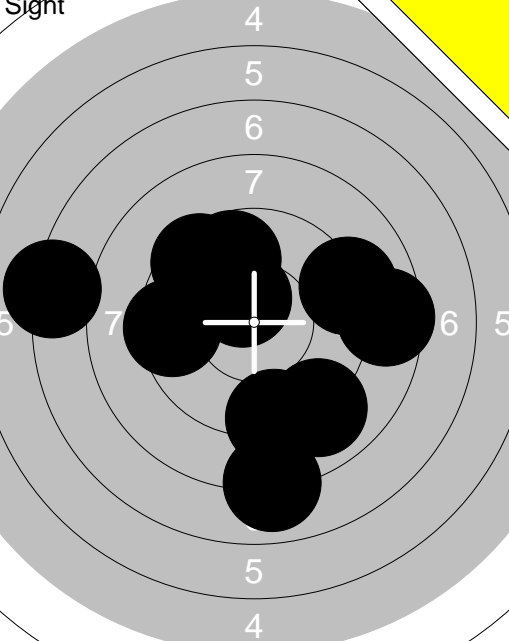
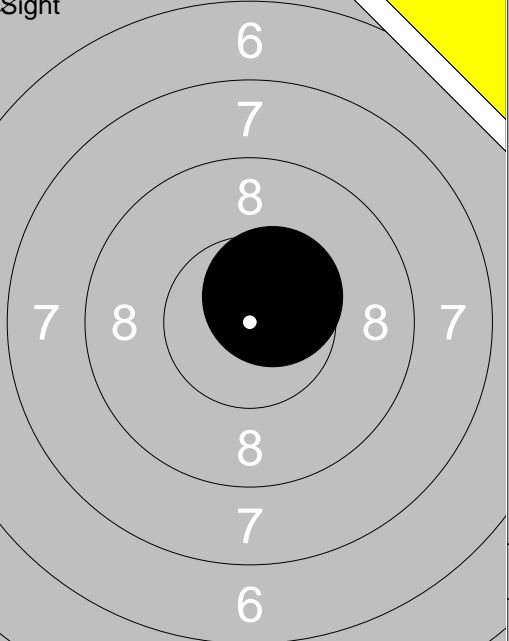
11: 9.1 ↓
12: 8.0 ↗
13: 9.8 ↓
14: 10.1 ↘
15: 7.1 →
16: 9.9 ↗
17: 7.4 ↓
18: *10.6 ↘
19: *10.4 ↘
20: 8.3 ↗
Series 90.7
Total 187.9



21: 8.6 →
22: 9.8 ↓
23: 9.5 ←
24: 9.4 ↓
25: 7.2 ↓
26: *10.3 ←
27: 8.6 →
28: 9.1 ←
29: 9.5 ↓
30: 8.4 ↖
Series 90.4
Total 278.3



31: 9.7 ↗
32: 9.6 ↓
33: 9.9 ↓
34: *10.5 ↘
35: 9.0 ↓
36: 7.9 →
37: 9.3 ←
38: 7.6 ←
39: 10.1 ↗
40: *10.2 ↘
Series 93.8
Total 372.1

Sight 	1: 9.1 ↓	Sight 	11: *10.5 ↗
	2: 9.1 →		
	3: 8.5 →		
	4: 9.4 ←		
	5: 8.0 ↓		
	6: 9.0 ↓		
	7: 7.2 ←		
	8: 9.7 ↑		
	9: *10.5 ↗		
	10: 9.5 ↖		
	Series 90.0		Series 10.5
	Total 0.0		Total 0.0

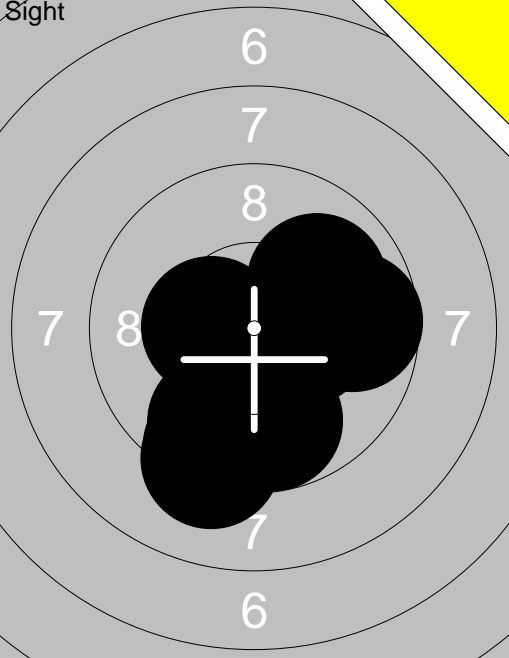

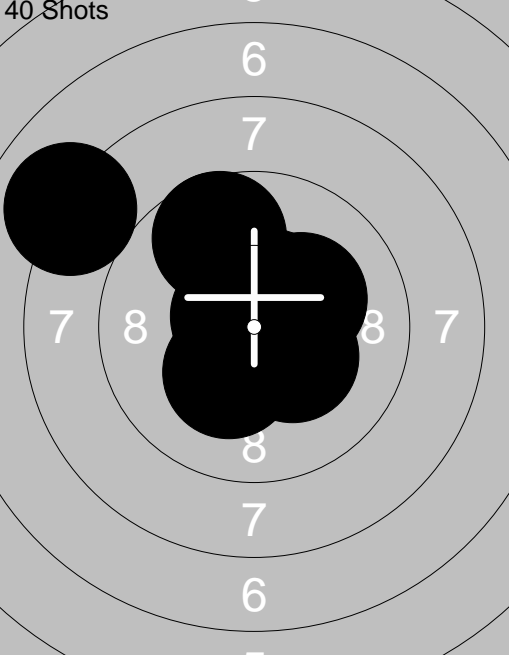
40 Shots 	1: 8.0 ←	40 Shots 	11: 9.5 →
	2: 10.1 ↑		12: 9.9 ↙
	3: 9.3 →		13: 8.8 ↘
	4: 8.4 ←		14: 9.8 ←
	5: 9.3 ↑		15: 8.1 ↗
	6: 6.3 →		16: 10.1 ↓
	7: *10.3 ↗		17: 6.5 ←
	8: 8.9 →		18: 7.9 ←
	9: 7.3 ↑		19: 8.2 ↗
	10: 9.2 ↑		20: 7.5 →
	Series 87.1		Series 86.3
	Total 87.1		Total 173.4

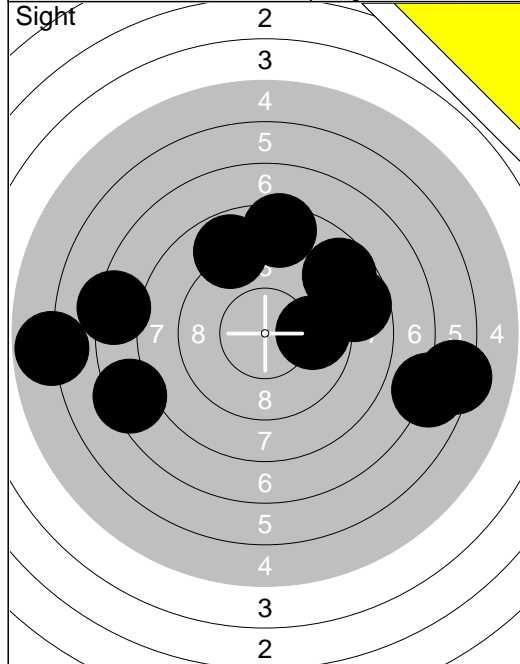
40 Shots 	21: 7.5 ↑	40 Shots 	31: 9.5 ↖
	22: 8.4 ↓		32: 8.8 ↖
	23: 9.2 →		33: 7.3 →
	24: 4.8 ←		34: 7.8 ↓
	25: 6.2 ↘		35: 9.0 ←
	26: 8.8 ↑		36: *10.2 ↖
	27: 10.0 ↖		37: 2.0 →
	28: 9.1 ↓		38: 9.6 ↑
	29: 8.9 ↗		39: 9.9 ↙
	30: 9.1 ←		40: 6.7 →
	Series 82.0		Series 80.8
	Total 255.4		Total 336.2

Sight		1: 7.3 ←	Sight		11: 9.5 →
		2: 8.4 →			12: 8.2 ↘
		3: 9.7 ↓			13: 9.5 ↙
		4: *10.4 ↗			14: 9.3 ↗
		5: *10.6 ↘			15: 9.7 ↖
		6: *10.2 ↘			
		7: 9.3 ↘			
		8: 9.2 ↘			
		9: 7.7 →			
		10: 9.1 ↑			
		Series 91.9			Series 46.2
		Total 0.0			Total 0.0

40 Shots		1: 9.7 ↑	40 Shots		11: 8.6 ↓
		2: 9.4 ↑			12: 8.8 →
		3: 8.4 ↗			13: 9.6 ↗
		4: 9.7 ↗			14: 10.0 ↖
		5: 8.6 →			15: 8.9 ↓
		6: 9.8 ↘			16: 8.8 ↑
		7: *10.2 ↘			17: 8.9 →
		8: 10.0 ↑			18: *10.4 ↖
		9: 9.3 ↘			19: 8.9 →
		10: 8.7 ↗			20: 9.7 ↓
		Series 93.8			Series 92.6
		Total 93.8			Total 186.4

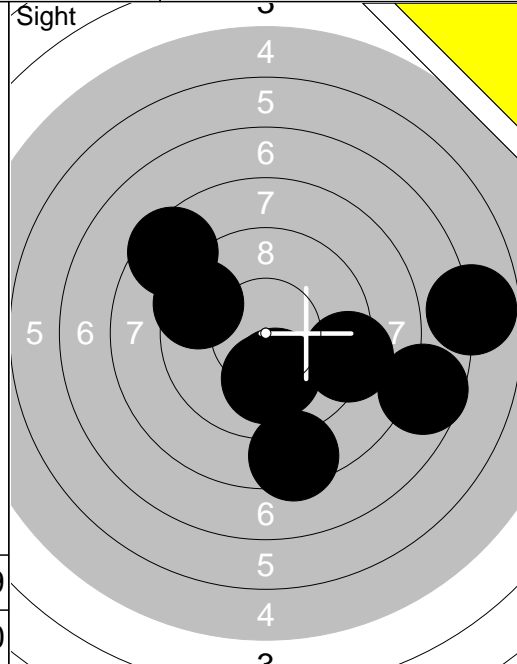
40 Shots		21: 9.0 →	40 Shots		31: *10.4 ↘
		22: 9.5 ↘			32: *10.4 ↖
		23: 8.9 ↗			33: 9.1 ←
		24: 8.6 ↓			34: *10.7 ↘
		25: *10.5 →			35: *10.4 ↖
		26: 9.8 ↓			36: 8.5 →
		27: *10.2 ↗			37: 8.4 ←
		28: 7.8 →			38: 9.5 ↓
		29: 7.2 →			39: *10.7 ↘
		30: 8.5 ↗			40: *10.2 ↓
		Series 90.0			Series 98.3
		Total 276.4			Total 374.7

Relay	Lane	Elin Jonsson	
10m	Bjurholm-Balsjö		Vb
11.01.2014	Skyttheaden Distriktsfinal 2014-	Ramselefors SKF	
Sight		1: 9.7 ↓ 2: *10.3 → 3: *10.4 ← 4: 9.7 → 5: 9.7 ↓ 6: 9.3 ↓ 7: *10.5 ↘ 8: 9.2 ↓ 9: *10.3 → 10: 10.0 ↗ Series 99.1 Total 0.0	Sight
			11: *10.6 ↘ 12: *10.2 ↘ Series 20.8 Total 0.0
40 Shots		1: *10.3 ↘ 2: 10.0 ↓ 3: *10.5 → 4: *10.7 ↘ 5: 9.5 → 6: 9.8 ↓ 7: 7.3 ↖ 8: *10.2 → 9: *10.3 ↑ 10: 9.7 ↙ Series 98.3 Total 98.3	40 Shots
			11: 9.1 ↖ 12: 9.1 → 13: 8.5 → 14: 9.6 → 15: *10.5 → 16: 9.4 ↖ 17: 9.7 → 18: 9.7 ↓ 19: 9.1 → 20: 9.7 ↓ Series 94.4 Total 192.7
40 Shots		21: *10.3 ↘ 22: *10.7 ↘ 23: *10.2 ↗ 24: *10.3 ↘ 25: *10.5 ↑ 26: *10.5 ↑ 27: 9.7 ↑ 28: 9.7 ↑ 29: *10.7 ↘ 30: 8.0 ↖ Series 100.6 Total 293.3	40 Shots
			31: *10.6 ↑ 32: 9.8 ↙ 33: *10.4 ↗ 34: *10.3 ↘ 35: 9.5 ↑ 36: *10.3 ↗ 37: *10.3 → 38: *10.2 ↘ 39: *10.3 → 40: *10.7 ↑ Series 102.4 Total 395.7



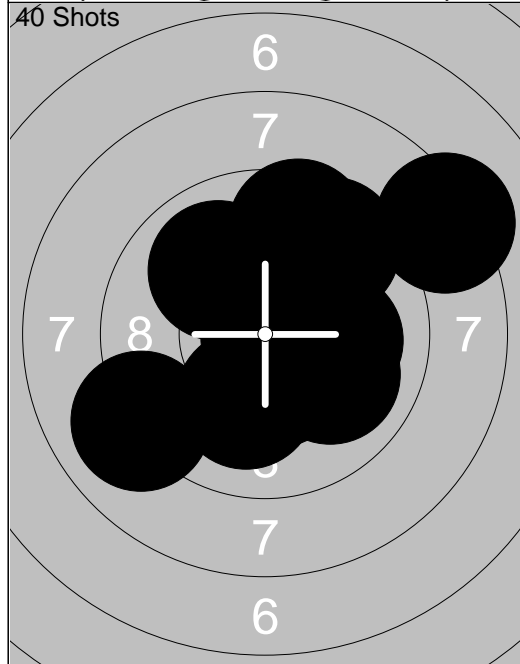
1:	8.7	↗
2:	7.3	↖
3:	8.7	→
4:	8.5	↑
5:	8.8	↑
6:	6.2	→
7:	9.8	→
8:	6.8	→
9:	7.3	↖
10:	5.8	↖

Series	77.9
Total	0.0



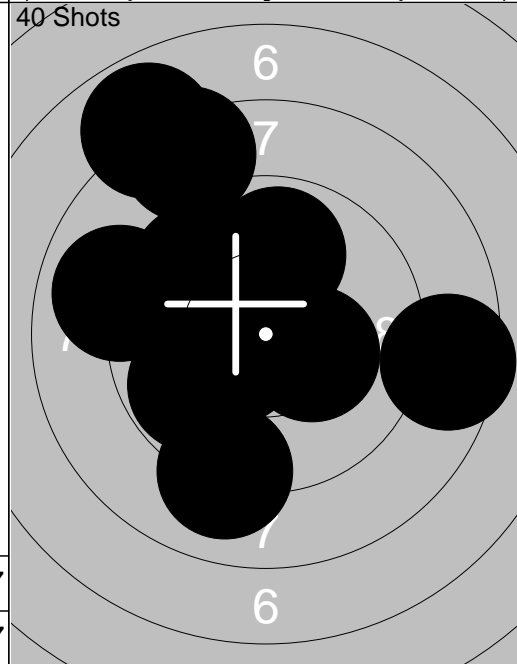
11:	7.6	→
12:	6.8	→
13:	8.5	↗
14:	9.5	↖
15:	10.1	↓
16:	8.4	↓
17:	10.1	↓
18:	9.2	→

Series	70.2
Total	0.0



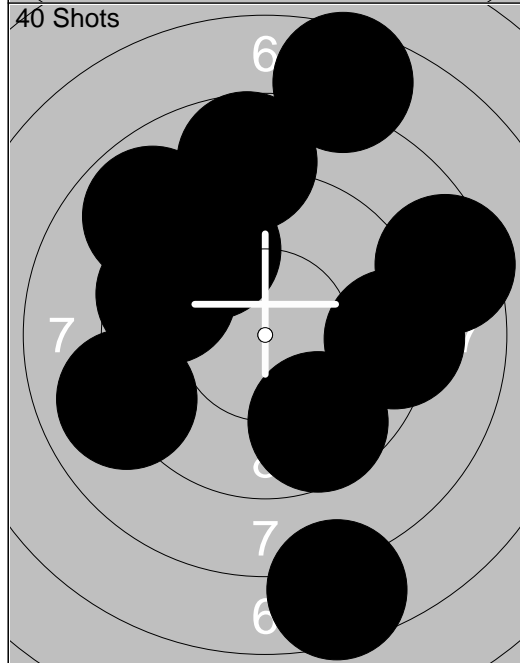
1:	*10.4	↓
2:	10.1	→
3:	9.0	↖
4:	8.2	↗
5:	10.1	↓
6:	9.9	↖
7:	10.0	→
8:	*10.9	→
9:	9.5	↑
10:	9.6	↗

Series	97.7
Total	97.7



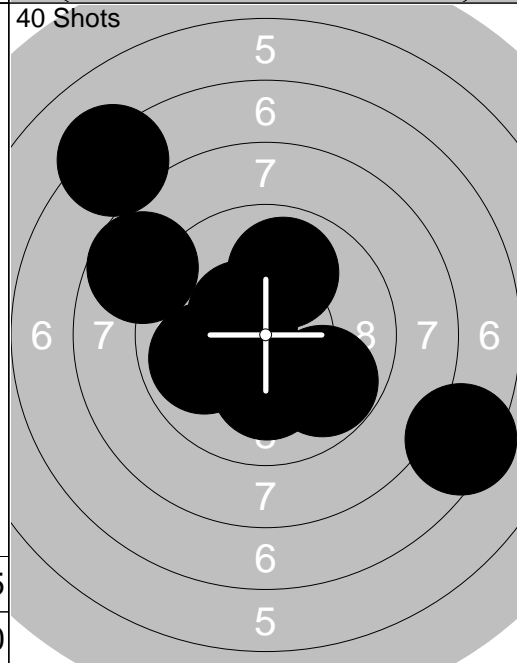
11:	*10.4	↖
12:	8.9	↖
13:	8.5	→
14:	9.7	↖
15:	9.8	↖
16:	*10.3	→
17:	9.1	↓
18:	9.9	↑
19:	8.4	↖
20:	7.8	↖

Series	92.8
Total	190.5



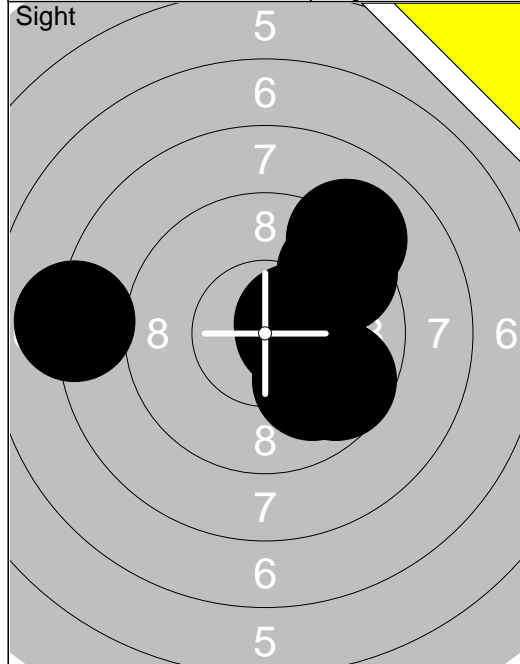
21:	8.5	→
22:	9.0	↖
23:	9.6	↓
24:	9.7	↗
25:	8.7	↑
26:	9.6	↖
27:	7.6	↑
28:	7.6	↓
29:	9.3	→
30:	8.9	↖

Series	88.5
Total	279.0

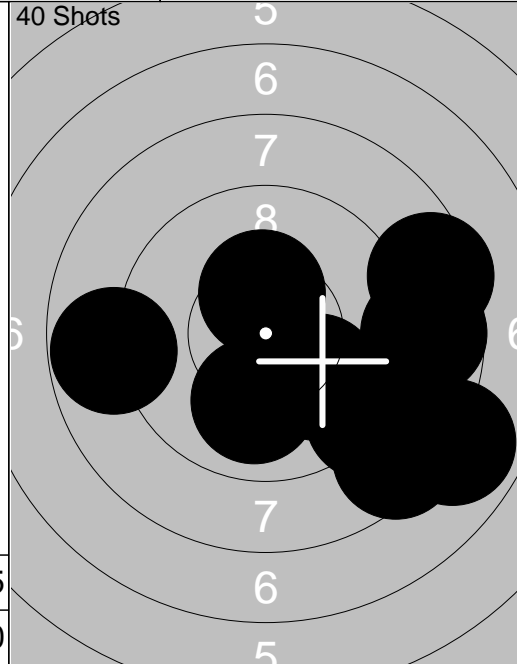


31:	*10.5	↖
32:	*10.3	↓
33:	*10.2	↓
34:	7.2	↖
35:	9.8	↖
36:	7.4	→
37:	9.9	↑
38:	*10.5	↖
39:	9.9	↖
40:	8.7	↖

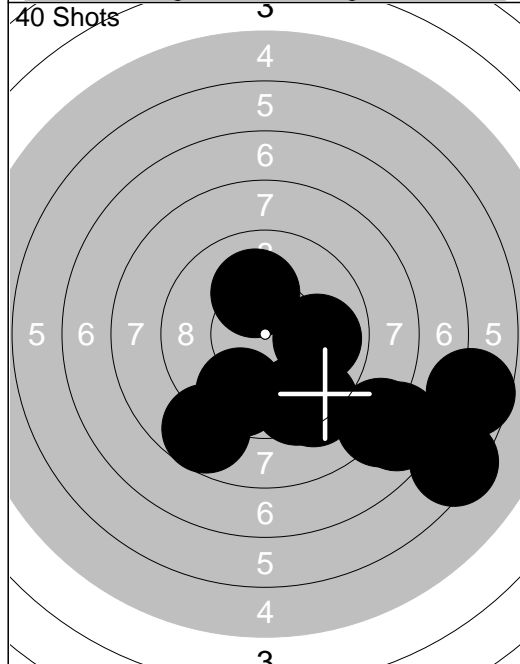
Series	94.4
Total	373.4



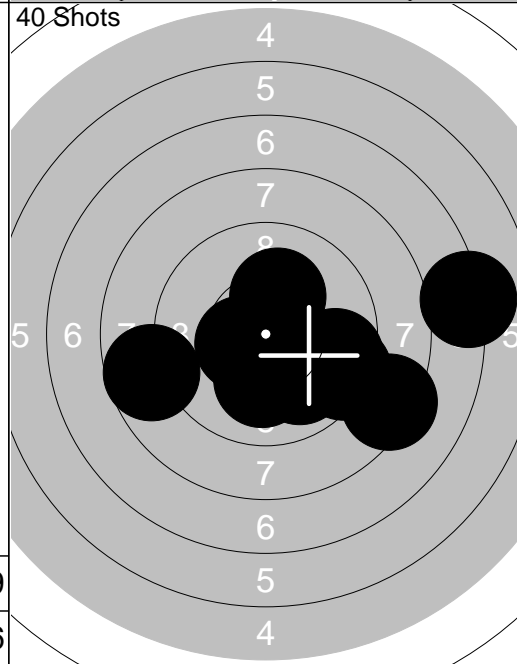
1:	8.1	←
2:	10.0	↘
3:	9.6	↗
4:	9.1	↗
5:	*10.5	→
6:	*10.5	→
7:	9.7	↘
Series		67.5
Total		0.0



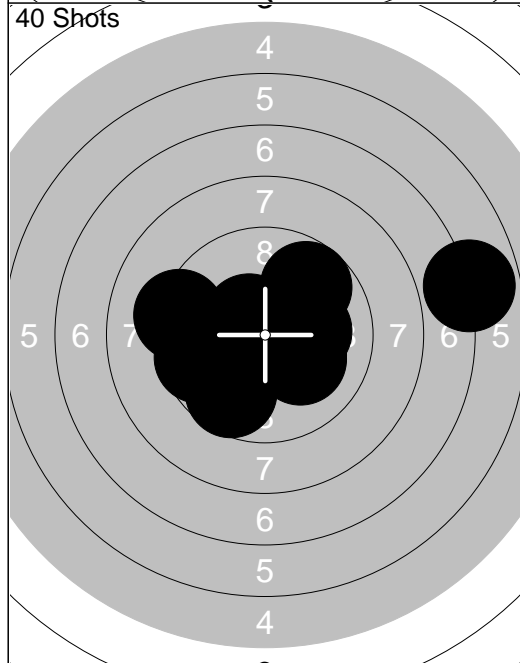
1:	*10.4	↑
2:	8.5	→
3:	8.7	→
4:	8.8	←
5:	8.9	↘
6:	10.0	↓
7:	10.0	↘
8:	9.1	↘
9:	7.9	↘
10:	8.4	↘
Series		90.7
Total		90.7



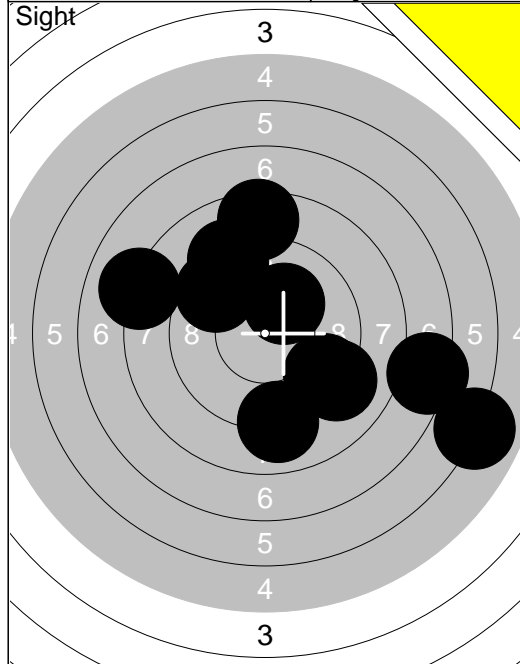
11:	10.1	↑
12:	9.5	↓
13:	7.7	↘
14:	6.4	↘
15:	6.6	→
16:	8.0	↘
17:	9.3	↓
18:	8.7	↓
19:	9.7	↓
20:	9.9	→
Series		85.9
Total		176.6



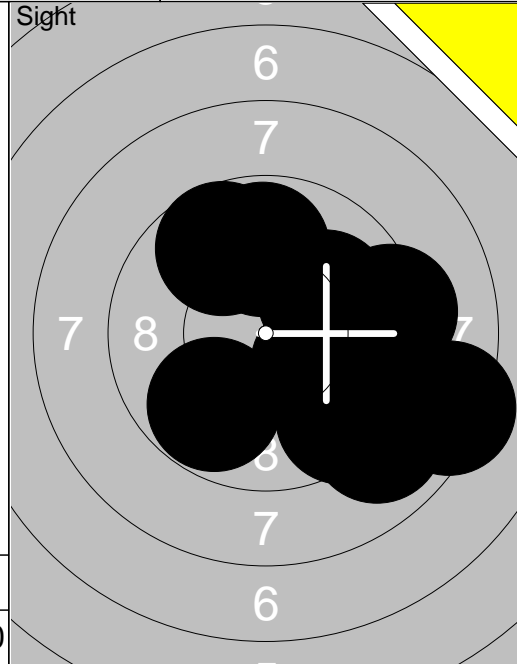
21:	*10.5	↘
22:	8.7	←
23:	7.1	→
24:	8.3	↘
25:	9.8	↘
26:	9.6	→
27:	*10.2	↑
28:	10.1	↓
29:	9.9	↘
30:	9.3	↘
Series		93.5
Total		270.1



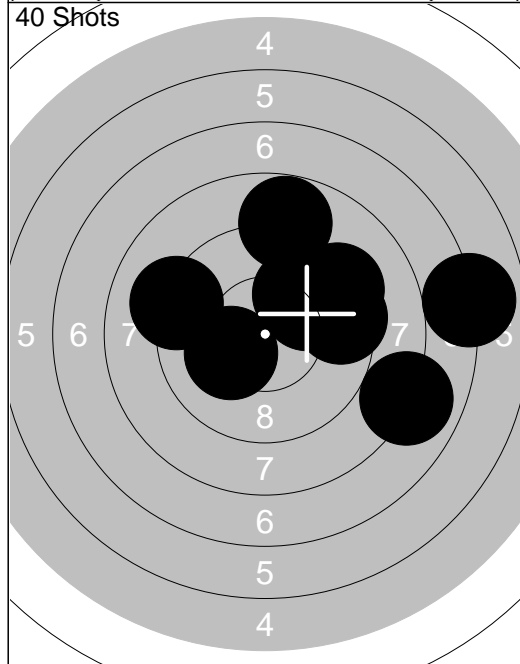
31:	10.1	↘
32:	9.7	↗
33:	9.7	↘
34:	6.9	→
35:	9.2	←
36:	*10.5	↘
37:	*10.6	→
38:	*10.2	→
39:	*10.2	↘
40:	9.6	←
Series		96.7
Total		366.8



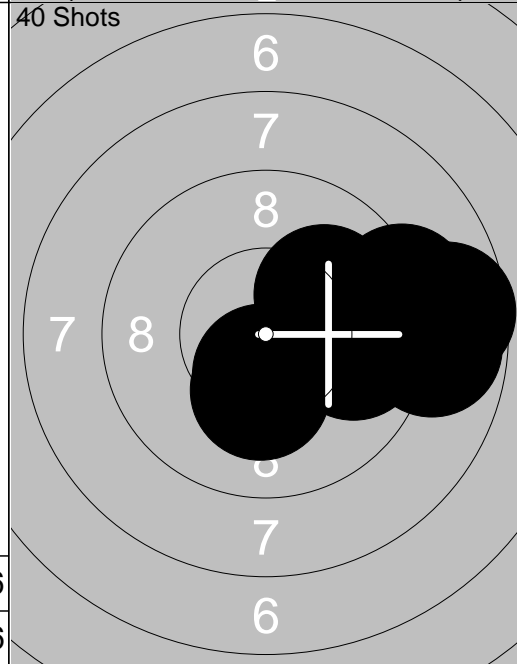
1:	8.0	↙
2:	*10.2	↗
3:	8.5	↑
4:	9.5	↖
5:	7.3	→
6:	9.0	↓
7:	9.4	↘
8:	9.2	↗
9:	5.9	→
10:	9.1	↘
Series		86.1
Total		0.0



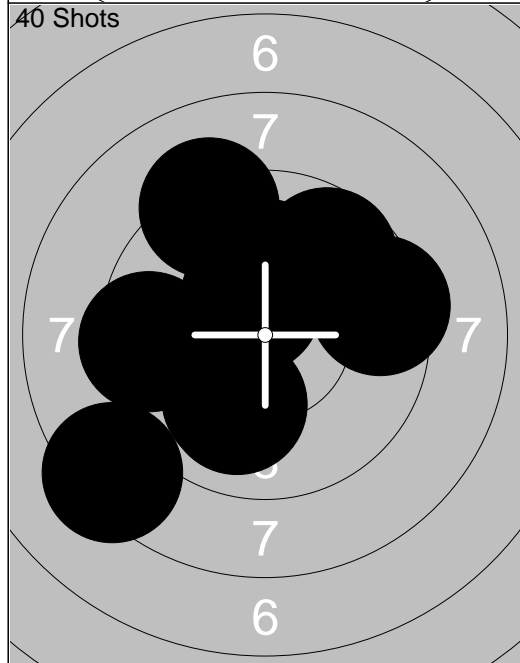
11:	8.3	↘
12:	9.4	↘
13:	8.9	↘
14:	9.8	↑
15:	9.3	→
16:	10.1	↘
17:	10.0	↗
18:	8.9	↘
19:	9.8	↘
20:	9.7	↖
Series		94.2
Total		0.0



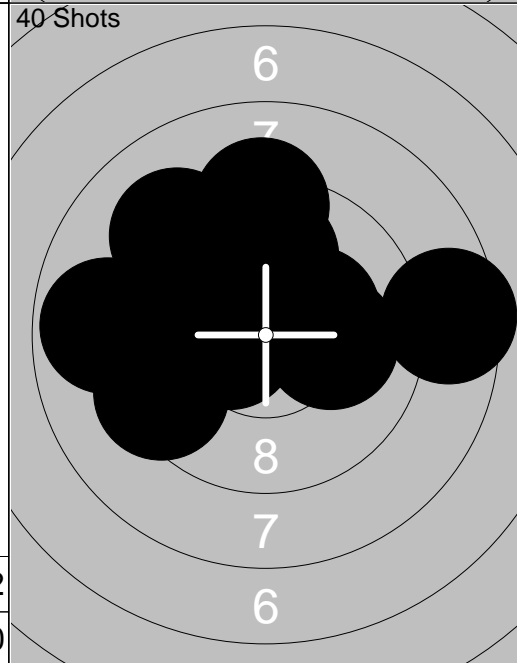
1:	8.0	→
2:	9.9	↗
3:	7.0	→
4:	*10.2	↘
5:	9.9	↗
6:	9.5	→
7:	9.9	↗
8:	8.8	↑
9:	9.1	↙
10:	9.3	↗
Series		91.6
Total		91.6



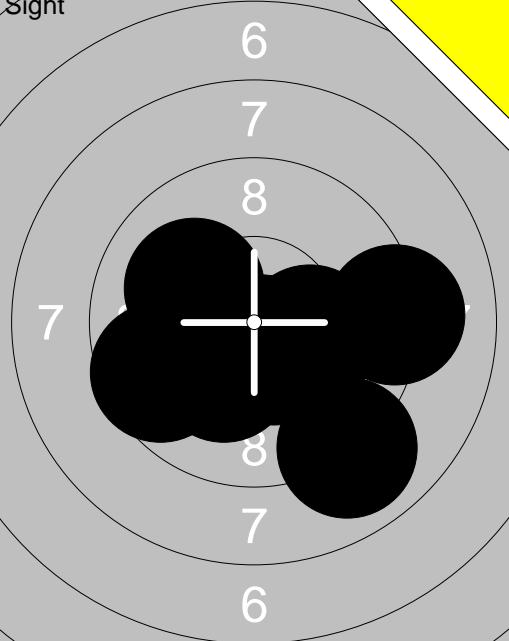

11:	*10.2	↘
12:	8.8	→
13:	9.4	→
14:	10.1	↗
15:	8.6	→
16:	10.1	→
17:	9.7	→
18:	9.1	→
19:	9.8	→
20:	*10.4	↘
Series		96.2
Total		187.8


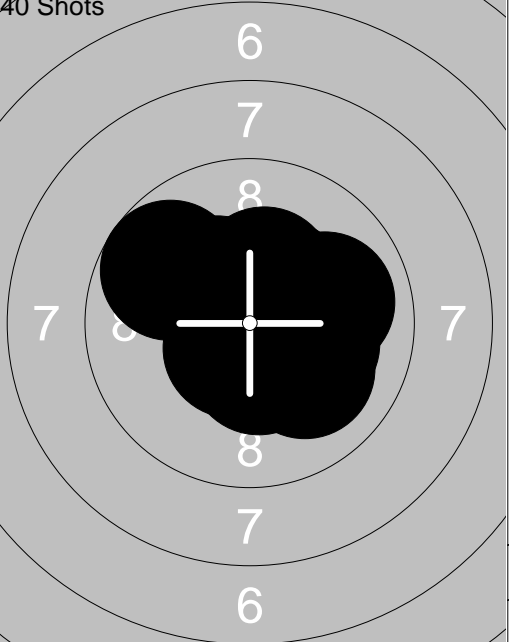


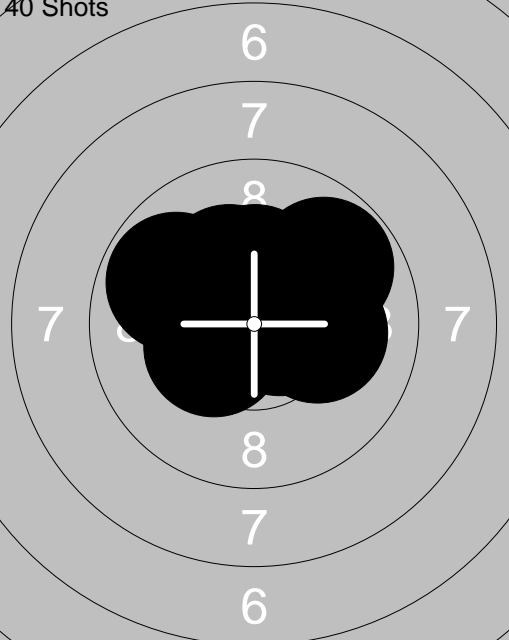
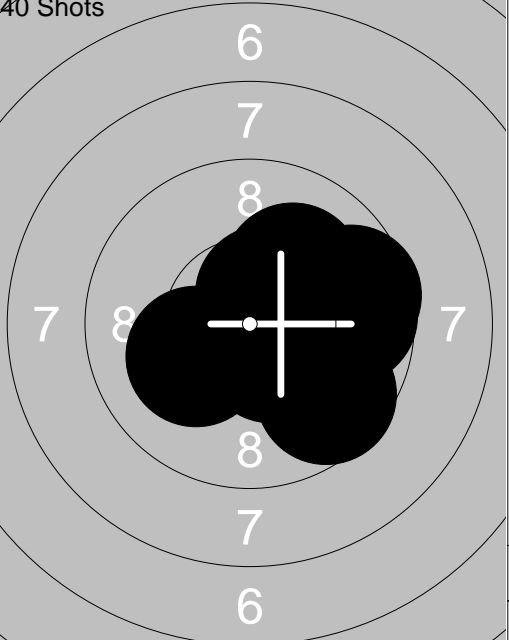
21:	8.3	↘
22:	10.0	↘
23:	10.0	↘
24:	9.5	↙
25:	*10.5	↘
26:	9.2	↖
27:	10.1	↑
28:	9.4	→
29:	9.7	↗
30:	*10.5	↘
Series		97.2
Total		285.0

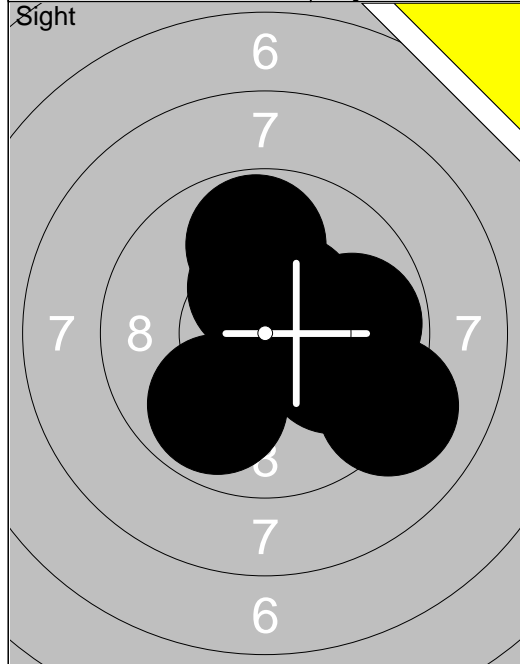


31:	10.1	→
32:	9.9	↑
33:	8.9	↙
34:	*10.5	↙
35:	9.2	↖
36:	9.2	↑
37:	9.7	↙
38:	8.5	→
39:	*10.3	↗
40:	9.4	↙
Series		95.7
Total		380.7

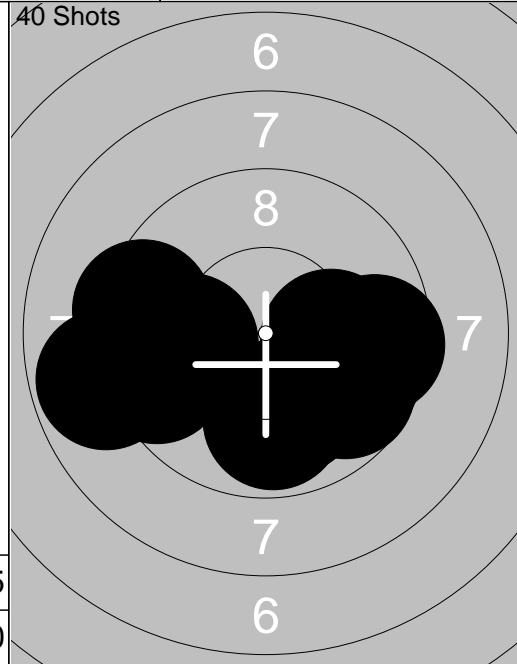
<p>Sight</p> 	<p>1: *10.2↘ 2: 10.1← 3: *10.2↘ 4: *10.5↓ 5: 9.1 → 6: *10.7↓ 7: *10.5↓ 8: 9.6 ← 9: 9.0 ↓ 10: 10.1↖</p> <p>Series 100.0 Total 0.0</p>	<p>Sight</p>  <p>11: 8.8 ↓ 12: 10.0 ↓ 13: 9.9 ↓ 14: 9.3 → 15: *10.3↘ 16: *10.6↗ 17: 9.4 ↘ 18: *10.5↘</p> <p>Series 78.8 Total 0.0</p>
-----------------------------------------------------------------------------------------------	------------------------------------------------------------------------------------------------------------------------------------------------------------------------------	---------------------------------------------------------------------------------------------------------------------------------------------------------------------------------------------------------------------------------------------------------

<p>40 Shots</p> 	<p>1: *10.4↖ 2: *10.3↘ 3: *10.6↓ 4: *10.3↓ 5: *10.5↑ 6: 10.0 → 7: 9.7 → 8: *10.6↖ 9: *10.2↓ 10: *10.3↑</p> <p>Series 102.9 Total 102.9</p>	<p>40 Shots</p>  <p>11: 10.0 ↓ 12: *10.7↖ 13: *10.4↗ 14: *10.4↓ 15: 9.7 ↖ 16: *10.6↘ 17: 10.1 → 18: *10.3↖ 19: *10.3↑ 20: 10.0 →</p> <p>Series 102.5 Total 205.4</p>
---------------------------------------------------------------------------------------------------	------------------------------------------------------------------------------------------------------------------------------------------------------------------------------------	-------------------------------------------------------------------------------------------------------------------------------------------------------------------------------------------------------------------------------------------------------------------------------------------------

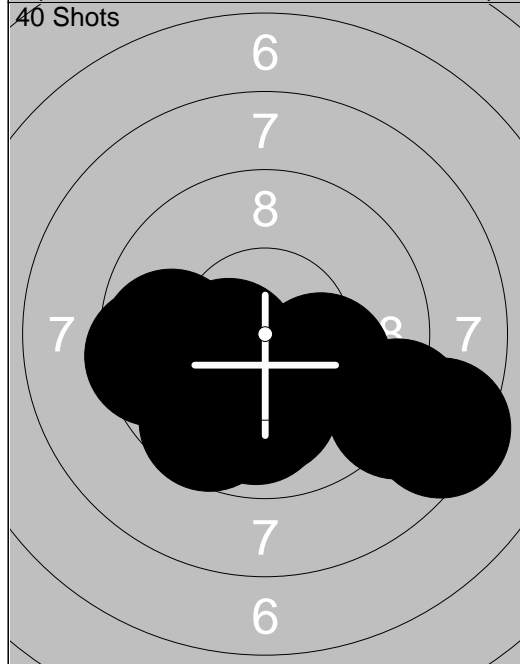
<p>40 Shots</p> 	<p>21: *10.3↑ 22: *10.2↖ 23: 9.8 ↖ 24: 9.8 ↗ 25: *10.4↖ 26: *10.7↑ 27: *10.6→ 28: 10.1 → 29: *10.5↗ 30: *10.4↗</p> <p>Series 102.8 Total 308.2</p>	<p>40 Shots</p>  <p>31: 9.6 ↓ 32: 10.1 ↗ 33: *10.5↑ 34: *10.5↓ 35: 9.6 → 36: 9.7 → 37: *10.5↓ 38: 9.9 → 39: 10.1↖ 40: *10.7↓</p> <p>Series 101.2 Total 409.4</p>
----------------------------------------------------------------------------------------------------	--------------------------------------------------------------------------------------------------------------------------------------------------------------------------------------------	----------------------------------------------------------------------------------------------------------------------------------------------------------------------------------------------------------------------------------------------------------------------------------------------



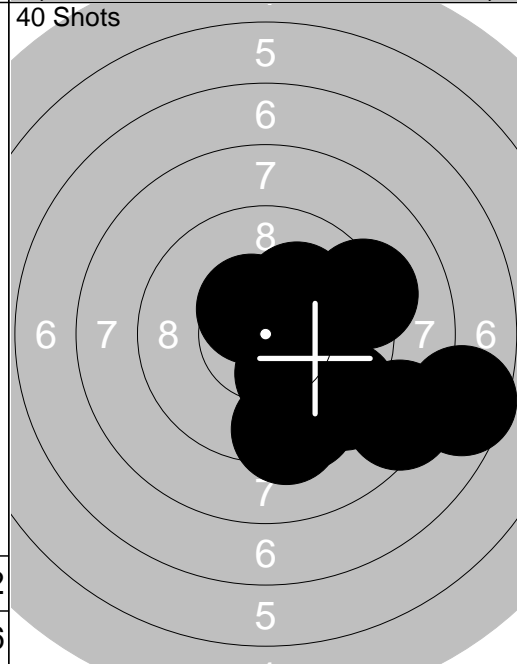
1:	*10.4	↗
2:	9.8	→
3:	9.1	↘
4:	9.9	↙
5:	10.0	→
6:	9.8	↑
7:	*10.5	↗
Series		69.5
Total		0.0



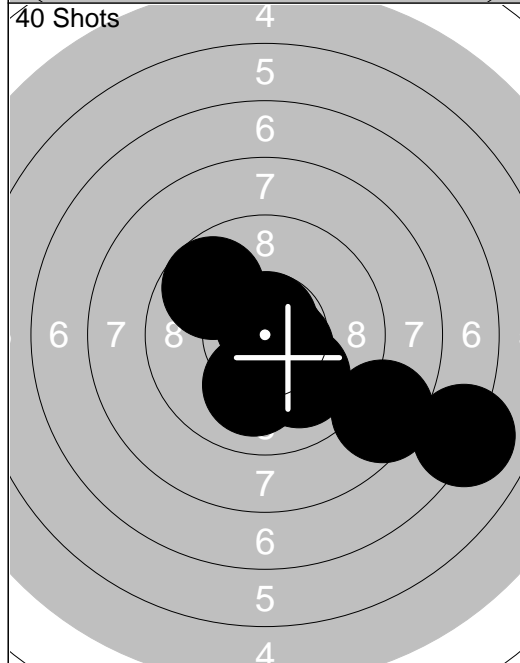
1:	9.5	←
2:	9.9	↓
3:	10.0	↓
4:	10.1	→
5:	9.7	↘
6:	8.8	←
7:	9.6	→
8:	9.6	←
9:	9.9	←
10:	9.3	←
Series		96.4
Total		96.4




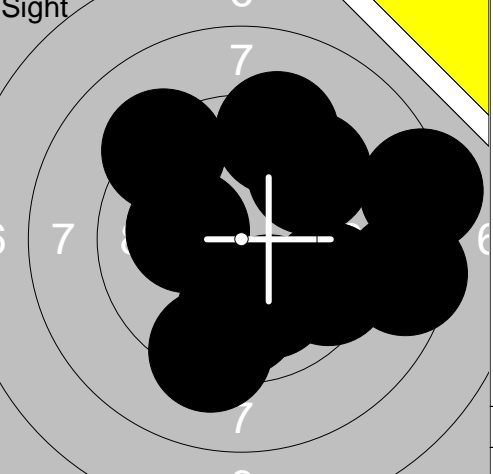
11:	9.7	←
12:	*10.4	↙
13:	9.5	←
14:	9.9	↓
15:	8.4	→
16:	*10.5	↙
17:	9.6	↙
18:	9.0	→
19:	*10.2	↘
20:	10.0	↓
Series		97.2
Total		193.6


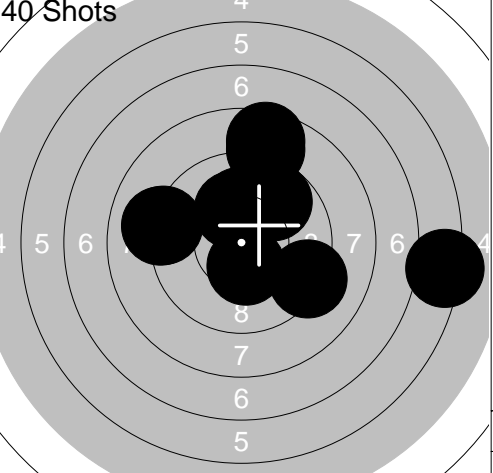


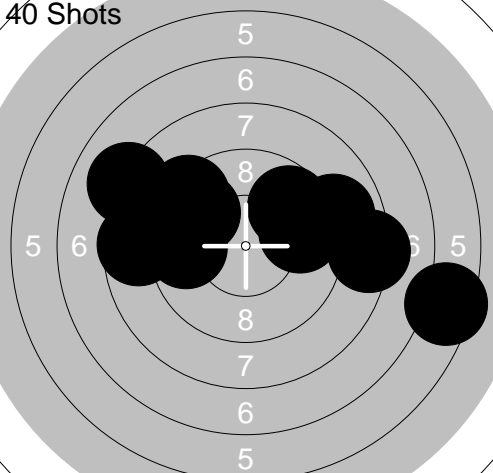
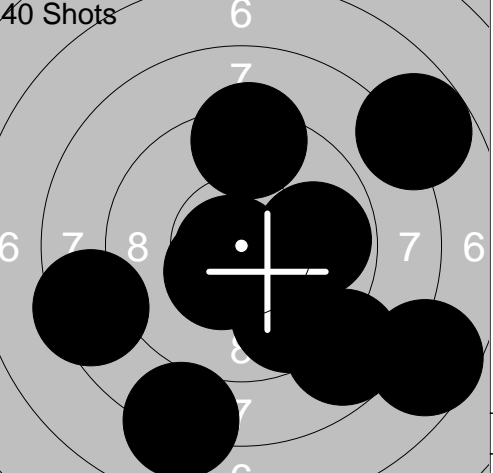
21:	*10.2	↗
22:	9.3	↘
23:	9.2	↗
24:	*10.2	↘
25:	9.4	↓
26:	*10.2	↘
27:	8.4	↘
28:	9.5	↓
29:	*10.5	↗
30:	7.6	→
Series		94.5
Total		288.1

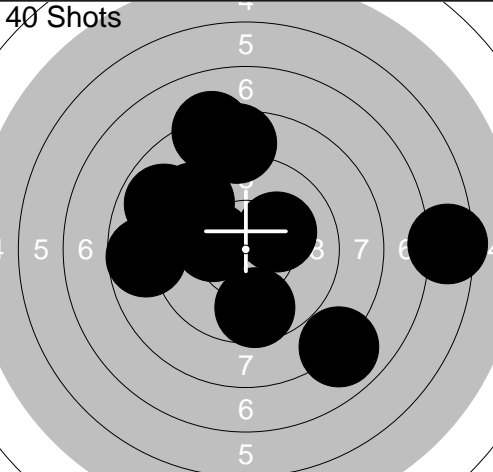


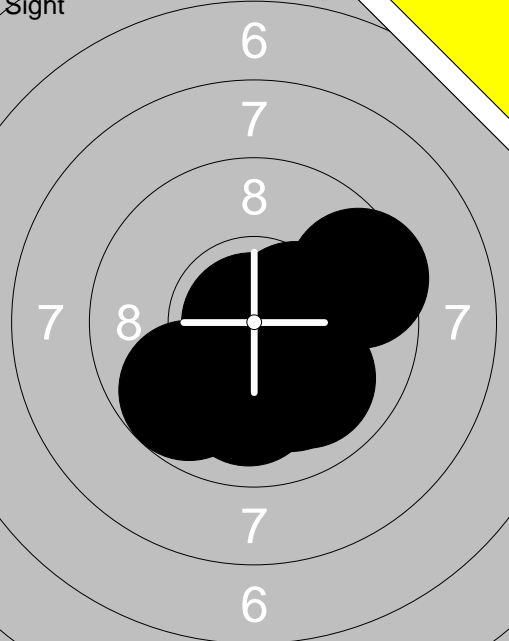

31:	10.0	↘
32:	10.1	↓
33:	8.5	↘
34:	*10.2	↓
35:	*10.6	↘
36:	7.1	→
37:	9.7	↗
38:	*10.7	↑
39:	*10.8	→
40:	*10.6	↘
Series		98.3
Total		386.4



	<table border="1" style="width:100%; border-collapse: collapse;"> <tr><td>1:</td><td>9.1</td><td>↖</td></tr> <tr><td>2:</td><td>8.5</td><td>↗</td></tr> <tr><td>3:</td><td>9.3</td><td>↗</td></tr> <tr><td>4:</td><td>9.6</td><td>↖</td></tr> <tr><td>5:</td><td>8.5</td><td>↗</td></tr> <tr><td>6:</td><td>8.7</td><td>↖</td></tr> <tr><td>7:</td><td>10.1</td><td>↑</td></tr> <tr><td>8:</td><td>9.8</td><td>↗</td></tr> <tr><td>9:</td><td>7.9</td><td>↖</td></tr> <tr><td>10:</td><td>9.2</td><td>↘</td></tr> <tr><td colspan="2">Series</td><td>90.7</td></tr> <tr><td colspan="2">Total</td><td>0.0</td></tr> </table>	1:	9.1	↖	2:	8.5	↗	3:	9.3	↗	4:	9.6	↖	5:	8.5	↗	6:	8.7	↖	7:	10.1	↑	8:	9.8	↗	9:	7.9	↖	10:	9.2	↘	Series		90.7	Total		0.0		<table border="1" style="width:100%; border-collapse: collapse;"> <tr><td>11:</td><td>*10.2</td><td>↖</td></tr> <tr><td>12:</td><td>9.8</td><td>↓</td></tr> <tr><td>13:</td><td>9.3</td><td>↓</td></tr> <tr><td>14:</td><td>9.5</td><td>↘</td></tr> <tr><td>15:</td><td>10.0</td><td>↓</td></tr> <tr><td>16:</td><td>9.3</td><td>↑</td></tr> <tr><td>17:</td><td>8.5</td><td>→</td></tr> <tr><td>18:</td><td>8.2</td><td>→</td></tr> <tr><td>19:</td><td>9.2</td><td>↗</td></tr> <tr><td>20:</td><td>9.6</td><td>↗</td></tr> <tr><td colspan="2">Series</td><td>93.6</td></tr> <tr><td colspan="2">Total</td><td>0.0</td></tr> </table>	11:	*10.2	↖	12:	9.8	↓	13:	9.3	↓	14:	9.5	↘	15:	10.0	↓	16:	9.3	↑	17:	8.5	→	18:	8.2	→	19:	9.2	↗	20:	9.6	↗	Series		93.6	Total		0.0
1:	9.1	↖																																																																									
2:	8.5	↗																																																																									
3:	9.3	↗																																																																									
4:	9.6	↖																																																																									
5:	8.5	↗																																																																									
6:	8.7	↖																																																																									
7:	10.1	↑																																																																									
8:	9.8	↗																																																																									
9:	7.9	↖																																																																									
10:	9.2	↘																																																																									
Series		90.7																																																																									
Total		0.0																																																																									
11:	*10.2	↖																																																																									
12:	9.8	↓																																																																									
13:	9.3	↓																																																																									
14:	9.5	↘																																																																									
15:	10.0	↓																																																																									
16:	9.3	↑																																																																									
17:	8.5	→																																																																									
18:	8.2	→																																																																									
19:	9.2	↗																																																																									
20:	9.6	↗																																																																									
Series		93.6																																																																									
Total		0.0																																																																									

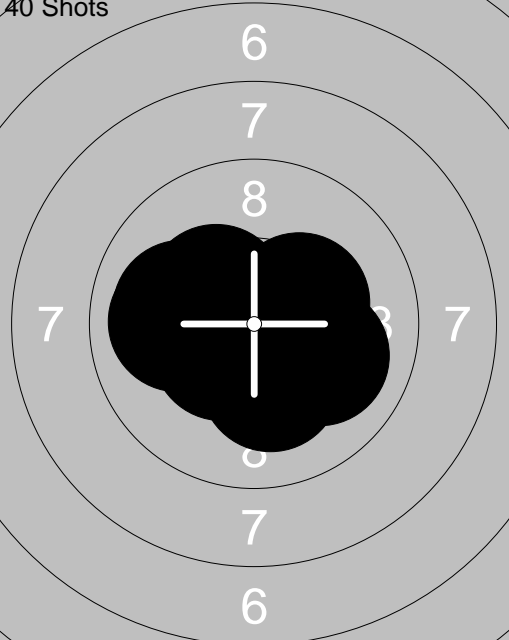
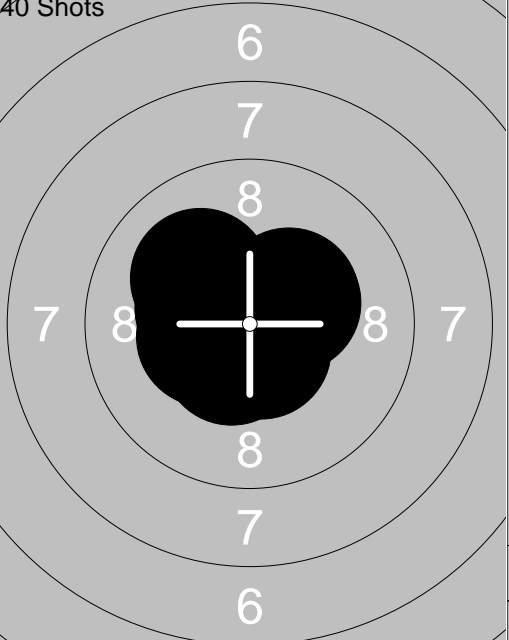
	<table border="1" style="width:100%; border-collapse: collapse;"> <tr><td>21:</td><td>*10.4</td><td>→</td></tr> <tr><td>22:</td><td>9.3</td><td>↓</td></tr> <tr><td colspan="2">Series</td><td>19.7</td></tr> <tr><td colspan="2">Total</td><td>0.0</td></tr> </table>	21:	*10.4	→	22:	9.3	↓	Series		19.7	Total		0.0		<table border="1" style="width:100%; border-collapse: collapse;"> <tr><td>1:</td><td>8.7</td><td>↑</td></tr> <tr><td>2:</td><td>9.8</td><td>↗</td></tr> <tr><td>3:</td><td>9.1</td><td>↖</td></tr> <tr><td>4:</td><td>*10.2</td><td>↑</td></tr> <tr><td>5:</td><td>*10.4</td><td>↓</td></tr> <tr><td>6:</td><td>9.2</td><td>↘</td></tr> <tr><td>7:</td><td>6.2</td><td>→</td></tr> <tr><td>8:</td><td>9.1</td><td>↖</td></tr> <tr><td>9:</td><td>8.5</td><td>↑</td></tr> <tr><td>10:</td><td>10.1</td><td>↑</td></tr> <tr><td colspan="2">Series</td><td>91.3</td></tr> <tr><td colspan="2">Total</td><td>91.3</td></tr> </table>	1:	8.7	↑	2:	9.8	↗	3:	9.1	↖	4:	*10.2	↑	5:	*10.4	↓	6:	9.2	↘	7:	6.2	→	8:	9.1	↖	9:	8.5	↑	10:	10.1	↑	Series		91.3	Total		91.3
21:	*10.4	→																																																	
22:	9.3	↓																																																	
Series		19.7																																																	
Total		0.0																																																	
1:	8.7	↑																																																	
2:	9.8	↗																																																	
3:	9.1	↖																																																	
4:	*10.2	↑																																																	
5:	*10.4	↓																																																	
6:	9.2	↘																																																	
7:	6.2	→																																																	
8:	9.1	↖																																																	
9:	8.5	↑																																																	
10:	10.1	↑																																																	
Series		91.3																																																	
Total		91.3																																																	

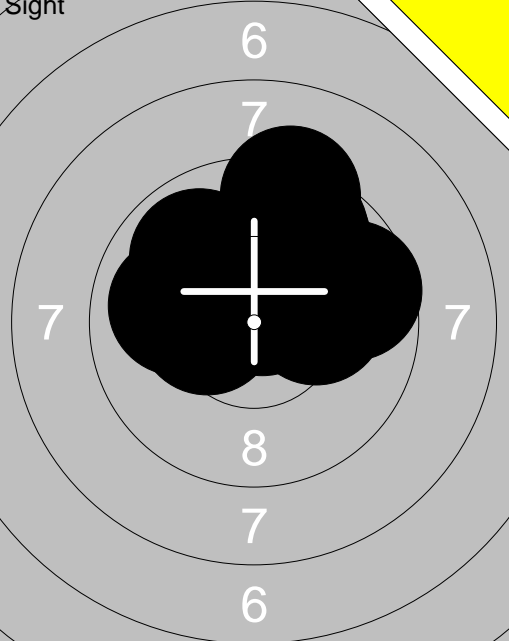
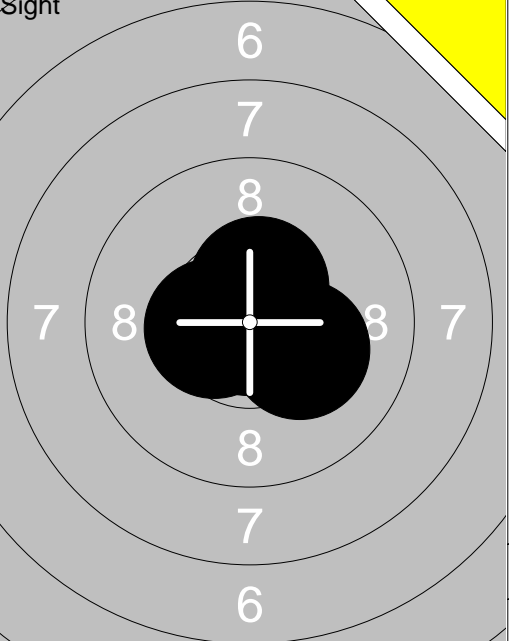
	<table border="1" style="width:100%; border-collapse: collapse;"> <tr><td>11:</td><td>9.7</td><td>→</td></tr> <tr><td>12:</td><td>9.3</td><td>↗</td></tr> <tr><td>13:</td><td>8.6</td><td>↖</td></tr> <tr><td>14:</td><td>9.7</td><td>↗</td></tr> <tr><td>15:</td><td>8.9</td><td>→</td></tr> <tr><td>16:</td><td>9.7</td><td>↗</td></tr> <tr><td>17:</td><td>9.7</td><td>↖</td></tr> <tr><td>18:</td><td>6.4</td><td>→</td></tr> <tr><td>19:</td><td>8.1</td><td>↗</td></tr> <tr><td>20:</td><td>8.3</td><td>→</td></tr> <tr><td colspan="2">Series</td><td>88.4</td></tr> <tr><td colspan="2">Total</td><td>179.7</td></tr> </table>	11:	9.7	→	12:	9.3	↗	13:	8.6	↖	14:	9.7	↗	15:	8.9	→	16:	9.7	↗	17:	9.7	↖	18:	6.4	→	19:	8.1	↗	20:	8.3	→	Series		88.4	Total		179.7		<table border="1" style="width:100%; border-collapse: collapse;"> <tr><td>21:</td><td>8.7</td><td>↘</td></tr> <tr><td>22:</td><td>7.8</td><td>↗</td></tr> <tr><td>23:</td><td>7.6</td><td>↘</td></tr> <tr><td>24:</td><td>9.3</td><td>↑</td></tr> <tr><td>25:</td><td>9.7</td><td>↓</td></tr> <tr><td>26:</td><td>9.8</td><td>→</td></tr> <tr><td>27:</td><td>8.4</td><td>↖</td></tr> <tr><td>28:</td><td>*10.4</td><td>↘</td></tr> <tr><td>29:</td><td>*10.8</td><td>↖</td></tr> <tr><td>30:</td><td>8.1</td><td>↓</td></tr> <tr><td colspan="2">Series</td><td>90.6</td></tr> <tr><td colspan="2">Total</td><td>270.3</td></tr> </table>	21:	8.7	↘	22:	7.8	↗	23:	7.6	↘	24:	9.3	↑	25:	9.7	↓	26:	9.8	→	27:	8.4	↖	28:	*10.4	↘	29:	*10.8	↖	30:	8.1	↓	Series		90.6	Total		270.3
11:	9.7	→																																																																									
12:	9.3	↗																																																																									
13:	8.6	↖																																																																									
14:	9.7	↗																																																																									
15:	8.9	→																																																																									
16:	9.7	↗																																																																									
17:	9.7	↖																																																																									
18:	6.4	→																																																																									
19:	8.1	↗																																																																									
20:	8.3	→																																																																									
Series		88.4																																																																									
Total		179.7																																																																									
21:	8.7	↘																																																																									
22:	7.8	↗																																																																									
23:	7.6	↘																																																																									
24:	9.3	↑																																																																									
25:	9.7	↓																																																																									
26:	9.8	→																																																																									
27:	8.4	↖																																																																									
28:	*10.4	↘																																																																									
29:	*10.8	↖																																																																									
30:	8.1	↓																																																																									
Series		90.6																																																																									
Total		270.3																																																																									

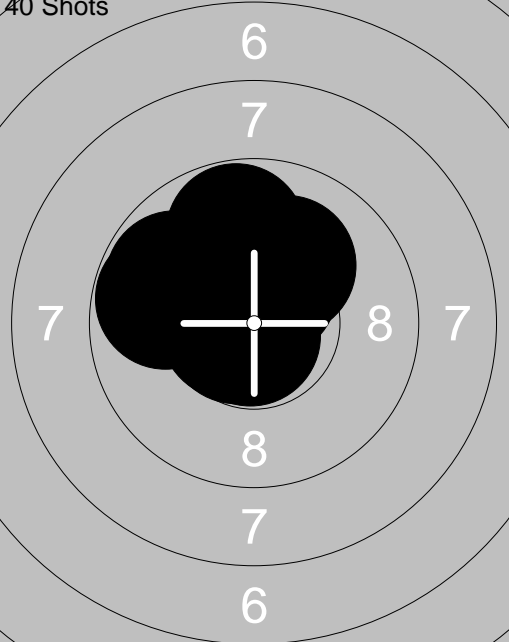
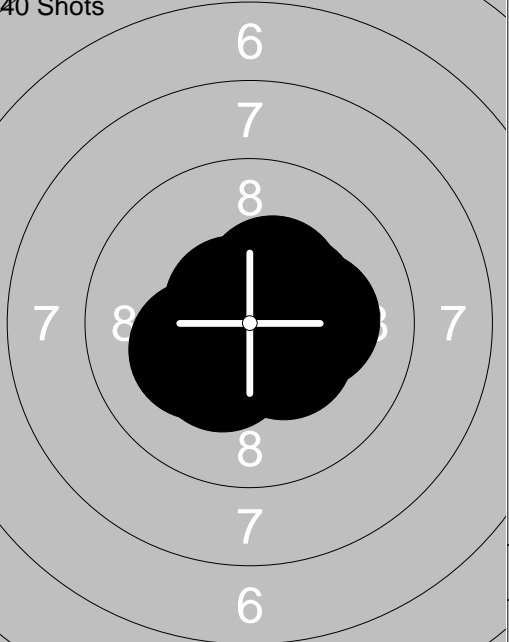
	<table border="1" style="width:100%; border-collapse: collapse;"> <tr><td>31:</td><td>6.4</td><td>→</td></tr> <tr><td>32:</td><td>8.2</td><td>↑</td></tr> <tr><td>33:</td><td>8.8</td><td>↗</td></tr> <tr><td>34:</td><td>7.9</td><td>↘</td></tr> <tr><td>35:</td><td>9.4</td><td>↗</td></tr> <tr><td>36:</td><td>9.6</td><td>↓</td></tr> <tr><td>37:</td><td>8.7</td><td>↖</td></tr> <tr><td>38:</td><td>*10.2</td><td>↗</td></tr> <tr><td>39:</td><td>8.6</td><td>↑</td></tr> <tr><td>40:</td><td>*10.2</td><td>↖</td></tr> <tr><td colspan="2">Series</td><td>88.0</td></tr> <tr><td colspan="2">Total</td><td>358.3</td></tr> </table>	31:	6.4	→	32:	8.2	↑	33:	8.8	↗	34:	7.9	↘	35:	9.4	↗	36:	9.6	↓	37:	8.7	↖	38:	*10.2	↗	39:	8.6	↑	40:	*10.2	↖	Series		88.0	Total		358.3		
31:	6.4	→																																					
32:	8.2	↑																																					
33:	8.8	↗																																					
34:	7.9	↘																																					
35:	9.4	↗																																					
36:	9.6	↓																																					
37:	8.7	↖																																					
38:	*10.2	↗																																					
39:	8.6	↑																																					
40:	*10.2	↖																																					
Series		88.0																																					
Total		358.3																																					

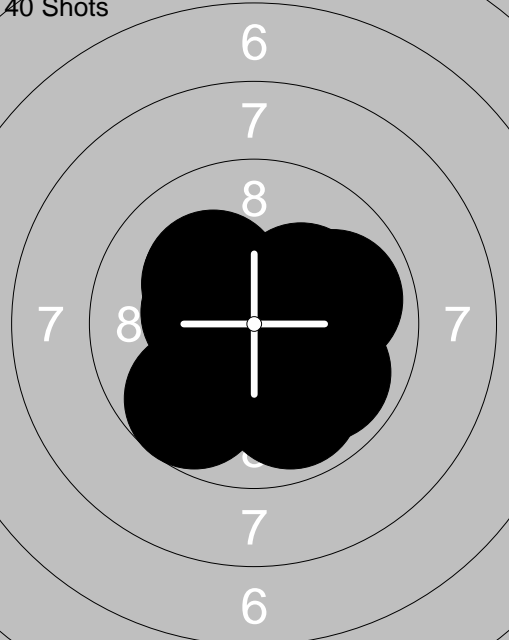

	1: 10.0 ↘		11: *10.3↖
	2: *10.5↘		12: 10.0 ↓
	3: 9.5 →		13: *10.4↖
	4: 10.0 ↓		14: *10.4→
	5: 9.7 ↙		
	6: *10.4→		
	7: *10.5↓		
	8: 10.1 ↓		
	9: *10.6→		
	10: *10.9↖		
	Series 102.2		Series 41.1
	Total 0.0		Total 0.0

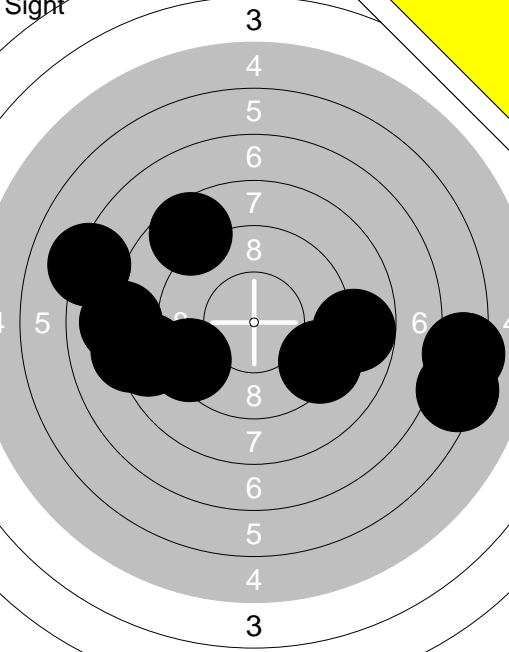
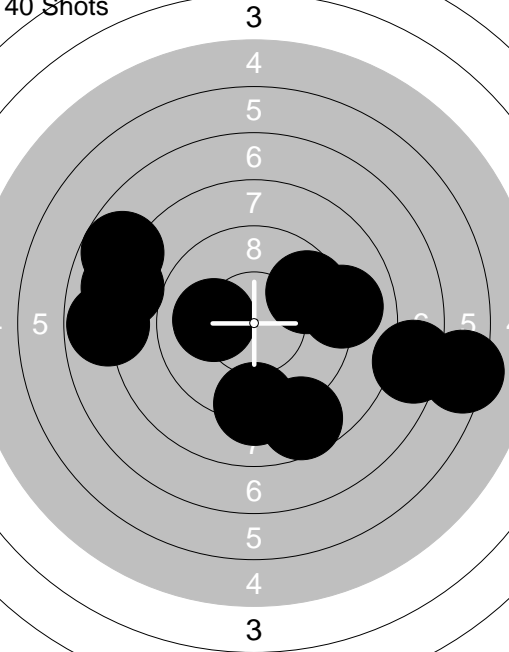
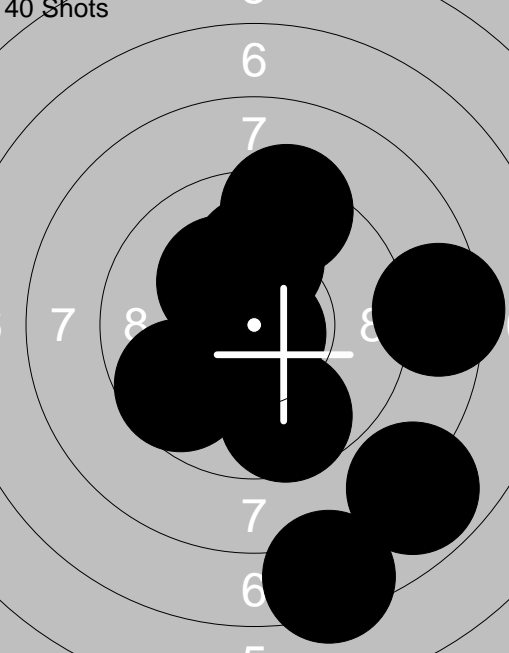
	1: *10.4↖		11: *10.4↖
	2: *10.6↓		12: *10.2↓
	3: 9.6 ←		13: *10.4↓
	4: *10.3↖		14: *10.5↓
	5: *10.4↓		15: *10.8↖
	6: *10.7↓		16: *10.3↘
	7: *10.6↓		17: 10.1 ↓
	8: 9.9 →		18: 10.0↖
	9: *10.8↗		19: *10.3↓
	10: *10.6↑		20: *10.4↖
	Series 103.9		Series 103.4
	Total 103.9		Total 207.3


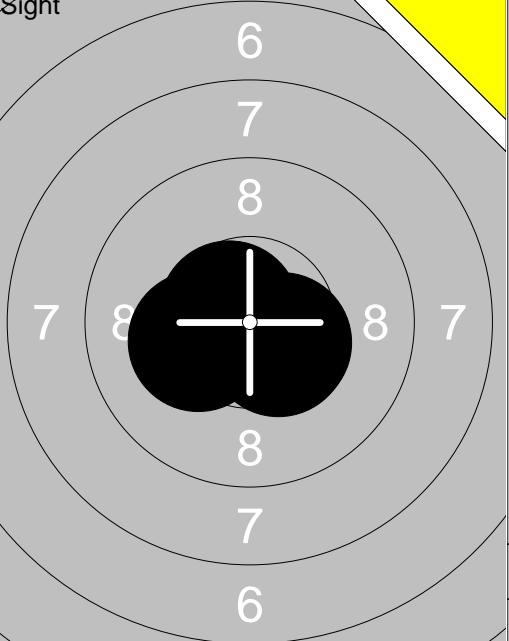
	21: *10.3→		31: *10.7↖
	22: *10.7→		32: *10.7↖
	23: 10.0↖		33: *10.4↖
	24: 10.0↖		34: *10.3↖
	25: *10.3↖		35: *10.7↗
	26: *10.2↓		36: 10.1↖
	27: *10.5↖		37: *10.5↓
	28: *10.4↙		38: *10.4→
	29: *10.3↖		39: *10.6↓
	30: 10.0→		40: *10.4↗
	Series 102.7		Series 104.8
	Total 310.0		Total 414.8

<p>Sight</p> 	<p>1: 9.7 ↗ 2: 9.3 ↑ 3: 9.7 ↗ 4: 9.9 ↖ 5: *10.7 ↗ 6: 10.1 → 7: *10.3 ← 8: 9.6 → 9: 10.0 ← 10: 9.8 ↗</p> <p>Series 99.1 Total 0.0</p>	<p>Sight</p> 	<p>11: *10.9 ↘ 12: *10.5 ← 13: *10.5 ↗ 14: *10.2 ↘</p> <p>Series 42.1 Total 0.0</p>
-----------------------------------------------------------------------------------------------	------------------------------------------------------------------------------------------------------------------------------------------------------------------------------	-------------------------------------------------------------------------------------------------	-----------------------------------------------------------------------------------------------------


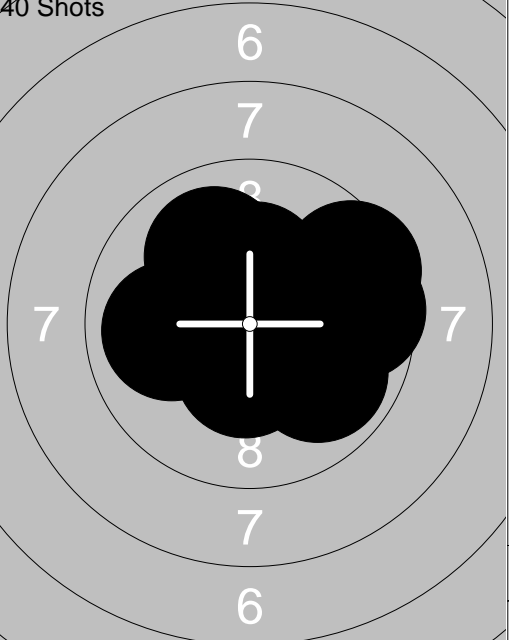
<p>40 Shots</p> 	<p>1: 9.8 ↖ 2: 9.8 ← 3: *10.7 ↘ 4: *10.8 ↘ 5: 9.8 ↑ 6: *10.8 ← 7: 10.1 ↗ 8: *10.6 ← 9: *10.6 ↖ 10: *10.5 ↗</p> <p>Series 103.5 Total 103.5</p>	<p>40 Shots</p> 	<p>11: *10.6 → 12: *10.4 ↗ 13: *10.7 ↖ 14: *10.7 ↖ 15: *10.7 ↖ 16: *10.4 → 17: *10.2 ↘ 18: *10.4 ↘ 19: *10.4 ↘ 20: *10.2 →</p> <p>Series 104.7 Total 208.2</p>
---------------------------------------------------------------------------------------------------	----------------------------------------------------------------------------------------------------------------------------------------------------------------------------------------	-----------------------------------------------------------------------------------------------------	--------------------------------------------------------------------------------------------------------------------------------------------------------------------------------------------------------


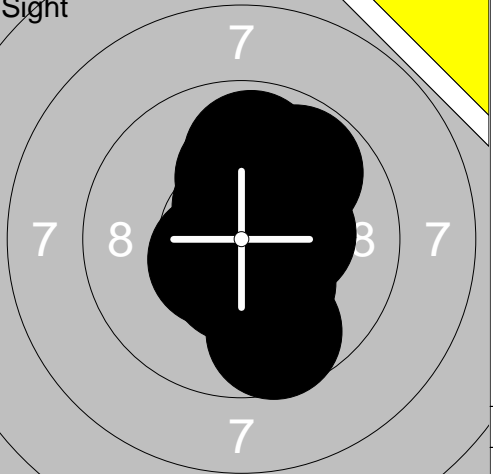
<p>40 Shots</p> 	<p>21: *10.2 ↘ 22: *10.6 ↘ 23: *10.3 ↘ 24: 9.7 ↘ 25: *10.2 ↘ 26: *10.4 ← 27: *10.2 ↗ 28: 9.9 → 29: 9.9 ↘ 30: 9.9 ↘</p> <p>Series 101.3 Total 309.5</p>	<p>40 Shots</p> 	<p>31: *10.8 ↘ 32: *10.8 ↖ 33: *10.2 ↗ 34: *10.3 ↗ 35: *10.8 ↘ 36: 10.1 ↖ 37: *10.4 ↗ 38: *10.9 ↖ 39: *10.2 ↖ 40: *10.2 ↖</p> <p>Series 104.7 Total 414.2</p>
----------------------------------------------------------------------------------------------------	------------------------------------------------------------------------------------------------------------------------------------------------------------------------------------------------	------------------------------------------------------------------------------------------------------	-------------------------------------------------------------------------------------------------------------------------------------------------------------------------------------------------------


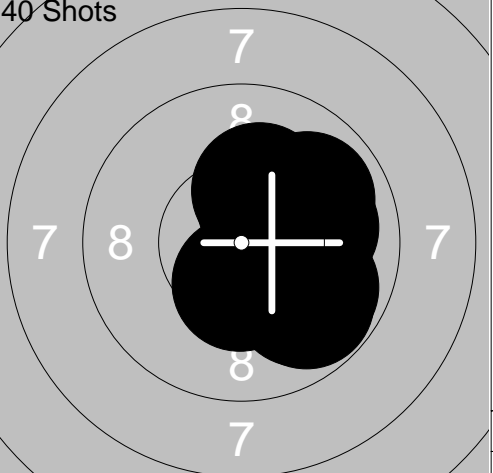
Relay	Lane	Hanna Lundin	
10m	Umeå		Vb
11.01.2014	Skyttiaden Distriktsfinal 2014-	Ramselefors SKF	
Sight		1: 7.2 ← 2: 9.3 → 3: 8.1 ← 4: 6.3 → 5: 8.6 ↗ 6: 8.2 ← 7: 6.3 → 8: 9.3 ← 9: 8.5 ← 10: 8.8 → Series 80.6 Total 0.0	Sight
			11: *10.2 ↗ 12: *10.6 ↗ 13: 9.0 ↓ 14: 7.6 → 15: 7.9 ↘ 16: 7.3 → Series 52.6 Total 0.0
40 Shots		1: 7.4 → 2: 9.2 ↓ 3: 7.7 ↖ 4: 8.7 ↓ 5: 9.0 → 6: 7.8 ← 7: 10.1 ← 8: 6.3 → 9: 8.0 ← 10: 9.6 ↗ Series 83.8 Total 83.8	40 Shots
			11: 10.0 → 12: 8.8 ← 13: 9.9 → 14: 8.6 ← 15: 8.7 ↘ 16: 9.9 ↖ 17: 5.5 → 18: 9.4 ↓ 19: 6.1 → 20: 7.3 ↓ Series 84.2 Total 168.0
40 Shots		21: 9.3 ↗ 22: 8.4 → 23: 7.4 ↓ 24: 9.6 ↓ 25: 10.1 ↗ 26: *10.4 ↓ 27: *10.2 ↗ 28: 7.9 ↘ 29: *10.8 ↓ 30: 9.7 ↘ Series 93.8 Total 261.8	40 Shots
			31: 7.8 ↖ 32: 8.0 ↓ 33: *10.8 ↗ 34: 10.1 ↗ 35: 9.3 ↘ 36: 8.6 ↖ 37: *10.4 ← 38: 9.5 ↗ 39: 9.3 → 40: 8.2 ← Series 92.0 Total 353.8

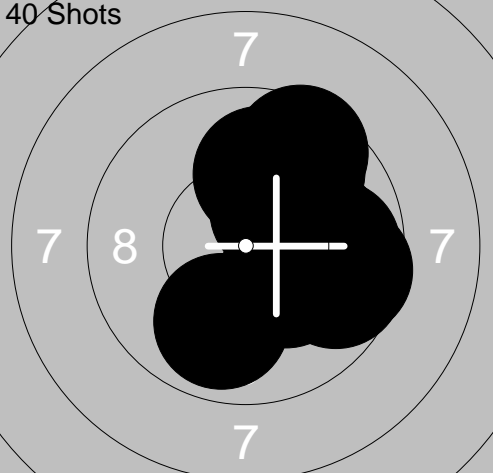

<p>Sight</p> 	<p>1: *10.2 ↘</p> <p>2: 9.2 ↑</p> <p>3: 9.9 ↑</p> <p>4: 10.1 ↑</p> <p>5: 9.1 ←</p> <p>6: *10.7 ↘</p> <p>7: 9.2 →</p> <p>8: 9.7 ↖</p> <p>9: *10.6 →</p> <p>10: *10.3 ↘</p>	<p>Sight</p> 	<p>11: *10.5 ↘</p> <p>12: *10.5 ↘</p> <p>13: *10.7 ↖</p> <p>14: *10.2 ↘</p> <p>15: *10.7 ↖</p>
Series 99.0	Total 0.0	Series 52.6	Total 0.0

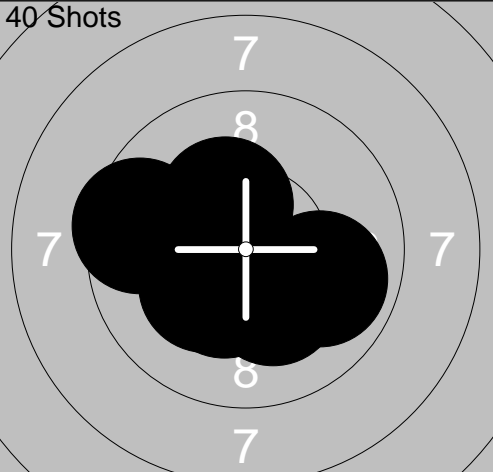
<p>40 Shots</p> 	<p>1: 9.8 ↘</p> <p>2: *10.3 ↘</p> <p>3: *10.4 ↘</p> <p>4: *10.3 →</p> <p>5: *10.4 ↗</p> <p>6: 9.5 ↓</p> <p>7: 9.4 ↓</p> <p>8: *10.3 ↗</p> <p>9: 10.0 ↘</p> <p>10: 9.9 ↓</p>	<p>40 Shots</p> 	<p>11: *10.3 ↖</p> <p>12: *10.6 →</p> <p>13: *10.3 ↘</p> <p>14: *10.5 ↗</p> <p>15: *10.2 →</p> <p>16: *10.6 ↗</p> <p>17: *10.5 ↖</p> <p>18: *10.3 ↘</p> <p>19: *10.3 ↓</p> <p>20: *10.8 ↑</p>
Series 100.3	Total 100.3	Series 104.4	Total 204.7

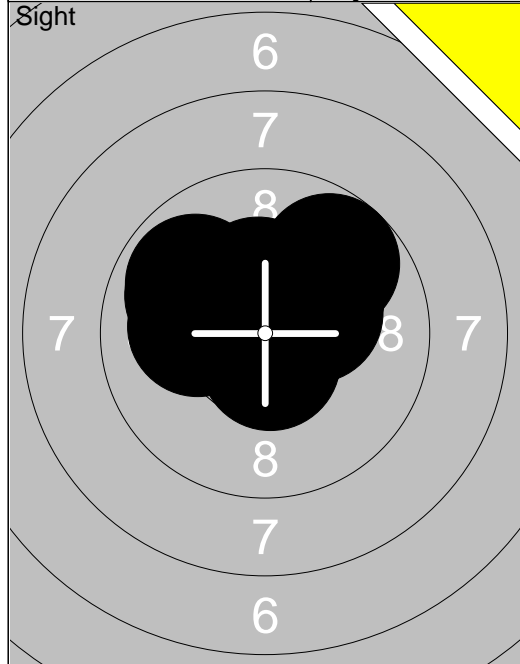
<p>40 Shots</p> 	<p>21: 9.8 ↓</p> <p>22: *10.2 ↓</p> <p>23: *10.5 ↘</p> <p>24: *10.3 ↑</p> <p>25: *10.2 ↓</p> <p>26: *10.3 ↘</p> <p>27: *10.8 ↗</p> <p>28: *10.6 ↖</p> <p>29: *10.4 ↓</p> <p>30: 10.1 ↘</p>	<p>40 Shots</p> 	<p>31: 10.0 ↖</p> <p>32: 9.6 →</p> <p>33: *10.7 ↖</p> <p>34: *10.3 ↑</p> <p>35: 10.0 ←</p> <p>36: 9.9 ↘</p> <p>37: *10.3 ↑</p> <p>38: *10.4 ↓</p> <p>39: 9.5 ↗</p> <p>40: 9.8 →</p>
Series 103.2	Total 307.9	Series 100.5	Total 408.4

Sight 	1: 9.6 ↓	Sight 	11: *10.5 ↑
	2: 9.7 ↓		12: 9.9 ↑
	3: 10.0 →		13: 10.1 ↑
	4: *10.5 ↓		14: 9.8 ↗
	5: 8.6 ↓		15: *10.3 ↓
	6: 9.6 ↓		16: *10.5 ↓
	7: *10.2 ↓		17: *10.6 ↓
	8: *10.4 ←		18: 9.7 ↓
	9: *10.7 ↓		19: *10.5 ↙
	10: *10.4 ↗		20: *10.3 →
Series	99.7	Series	102.2
Total	0.0	Total	0.0

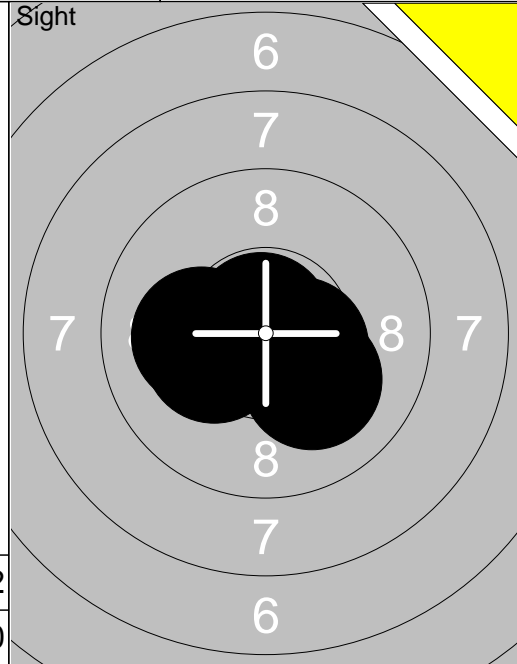
Sight 	21: 9.5 ↓	40 Shots 	1: 9.8 ↓
	22: *10.2 →		2: 9.9 ↓
	23: *10.8 ↓		3: 9.9 ↓
			4: *10.3 →
			5: 9.9 ↗
			6: *10.2 ↑
			7: *10.4 ↓
			8: 10.0 →
			9: *10.4 ↗
			10: *10.2 →
Series	30.5	Series	101.0
Total	0.0	Total	101.0

40 Shots 	11: *10.3 ↗	40 Shots 	21: *10.2 ↓
	12: 9.5 ↑		22: *10.5 ↓
	13: 9.7 →		23: *10.5 ↓
	14: 10.0 →		24: *10.7 ↓
	15: 9.9 ↓		25: *10.2 ←
	16: 9.6 →		26: *10.5 ↓
	17: 10.0 ↑		27: *10.7 →
	18: 9.8 →		28: 10.0 ↙
	19: 9.8 ↗		29: 9.8 ↑
	20: *10.3 ↓		30: *10.4 ↗
Series	98.9	Series	103.5
Total	199.9	Total	303.4

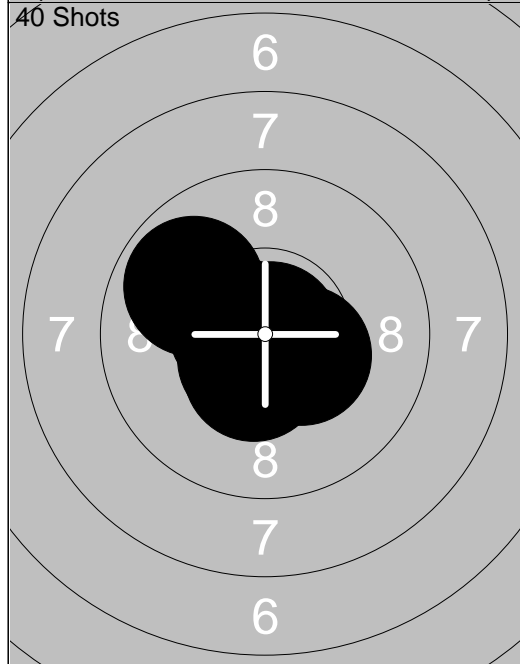
40 Shots 	31: 9.9 →	
	32: *10.5 ↗	
	33: *10.3 ↗	
	34: 9.5 ←	
	35: *10.2 ↓	
	36: *10.3 ↓	
	37: *10.3 ←	
	38: *10.3 ↓	
	39: *10.2 ↓	
	40: *10.7 ↗	
Series	102.2	
Total	405.6	



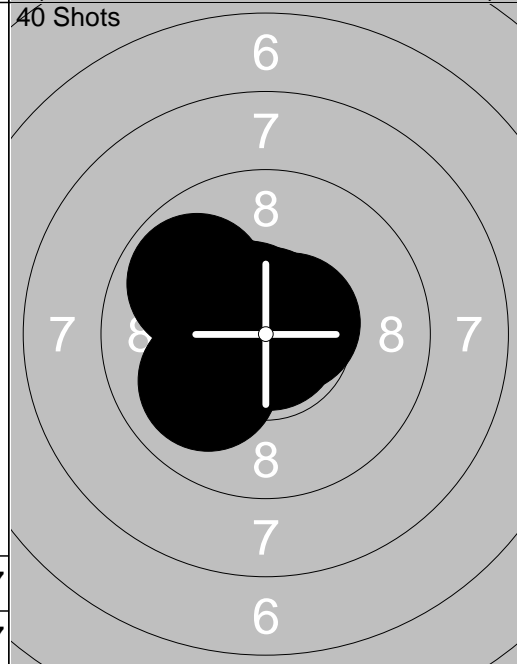
1:	10.1	←
2:	9.9	↖
3:	9.9	↖
4:	*10.3	→
5:	10.1	↗
6:	9.7	↗
7:	*10.4	↑
8:	*10.6	↓
9:	*10.4	↑
10:	*10.8	↘
Series	102.2	
Total	0.0	



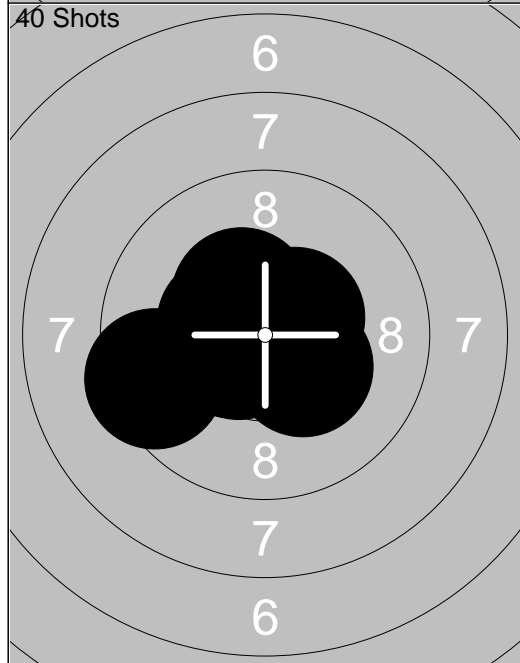
11:	*10.5	↘
12:	*10.3	↘
13:	10.1	↘
14:	10.1	←
15:	*10.8	↖
Series	51.8	
Total	0.0	



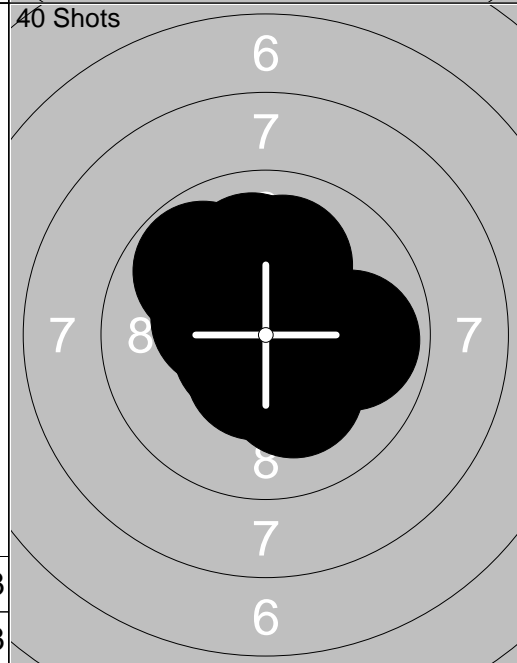
1:	*10.9	↗
2:	*10.6	↘
3:	*10.6	↘
4:	*10.5	↓
5:	*10.7	↓
6:	9.9	↖
7:	*10.9	→
8:	*10.5	↓
9:	*10.7	↖
10:	*10.4	↘
Series	105.7	
Total	105.7	





11:	*10.5	↘
12:	*10.7	↘
13:	*10.6	↘
14:	*10.9	↘
15:	*10.7	↑
16:	*10.6	↘
17:	*10.8	→
18:	9.9	↖
19:	*10.6	→
20:	10.0	↘
Series	105.3	
Total	211.0	

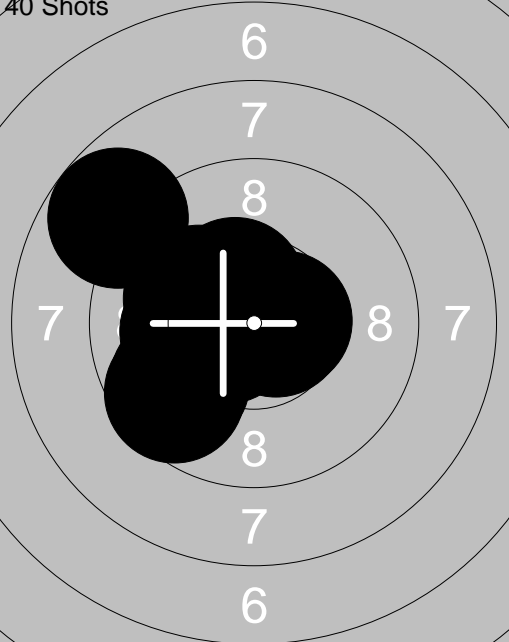
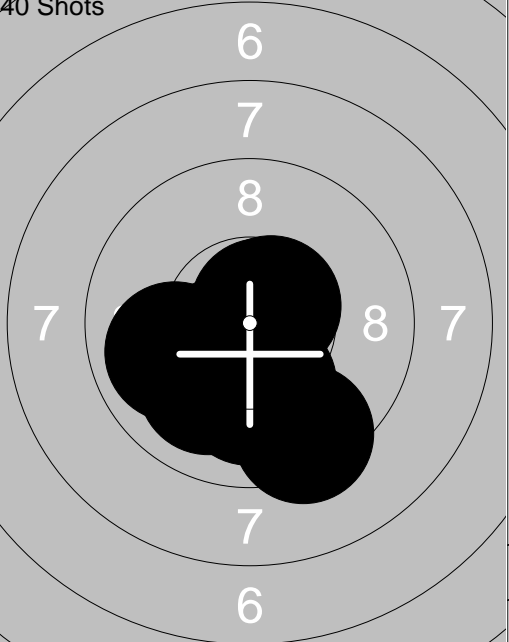



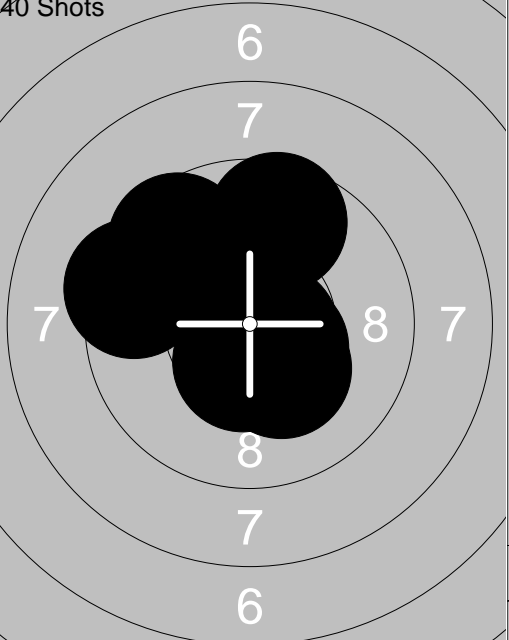
21:	*10.4	↖
22:	*10.6	↘
23:	*10.7	↑
24:	*10.3	↘
25:	*10.7	→
26:	*10.4	↖
27:	9.4	←
28:	*10.5	→
29:	*10.5	↘
30:	*10.8	↖
Series	104.3	
Total	315.3	


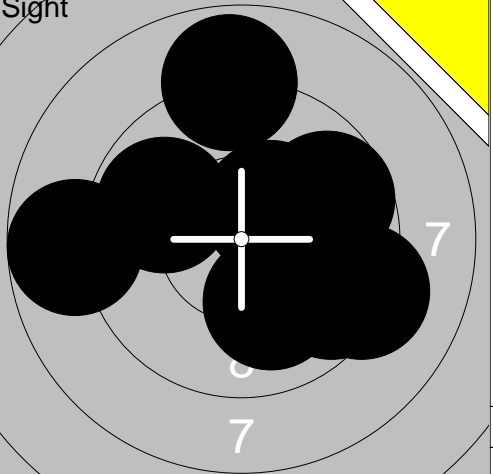


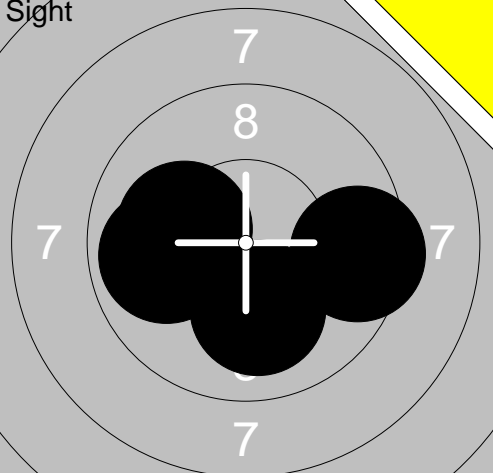

31:	*10.3	↘
32:	10.0	↑
33:	*10.2	↘
34:	*10.9	↘
35:	9.8	↖
36:	*10.6	↘
37:	9.9	→
38:	*10.5	↓
39:	10.0	↑
40:	*10.6	↖
Series	102.8	
Total	418.1	



<p>Sight</p> 	<p>1: 9.9 ↗ 2: 9.8 ↗ 3: *10.8→ 4: 10.0 ↓ 5: *10.3↓ 6: 9.2 ↓ 7: *10.4→ 8: *10.2↓ 9: 9.2 ↓ 10: *10.4←</p> <p>Series 100.2 Total 0.0</p>	<p>Sight</p> 	<p>11: *10.2→ 12: 9.5 ↓ 13: *10.4↓ 14: 9.7 ↗ 15: *10.2↖ 16: 9.7 → 17: *10.2↖ 18: *10.7↗ 19: *10.4↖</p> <p>Series 91.0 Total 0.0</p>
-----------------------------------------------------------------------------------------------	-------------------------------------------------------------------------------------------------------------------------------------------------------------------------------	-------------------------------------------------------------------------------------------------	-------------------------------------------------------------------------------------------------------------------------------------------------------------------------


<p>40 Shots</p> 	<p>1: 9.6 ↖ 2: 10.1← 3: *10.7→ 4: *10.4↗ 5: 9.7 ↖ 6: *10.2↖ 7: 10.1← 8: *10.6↖ 9: 8.8 ↖ 10: *10.6→</p> <p>Series 100.8 Total 100.8</p>	<p>40 Shots</p> 	<p>11: 10.1 ↓ 12: *10.5↓ 13: *10.7↗ 14: 9.9 ← 15: 9.4 ↓ 16: 10.0 ↓ 17: 10.0 ↓ 18: *10.6↖ 19: *10.6↗ 20: *10.7↓</p> <p>Series 102.5 Total 203.3</p>
---------------------------------------------------------------------------------------------------	--------------------------------------------------------------------------------------------------------------------------------------------------------------------------------	-----------------------------------------------------------------------------------------------------	--------------------------------------------------------------------------------------------------------------------------------------------------------------------------------------------

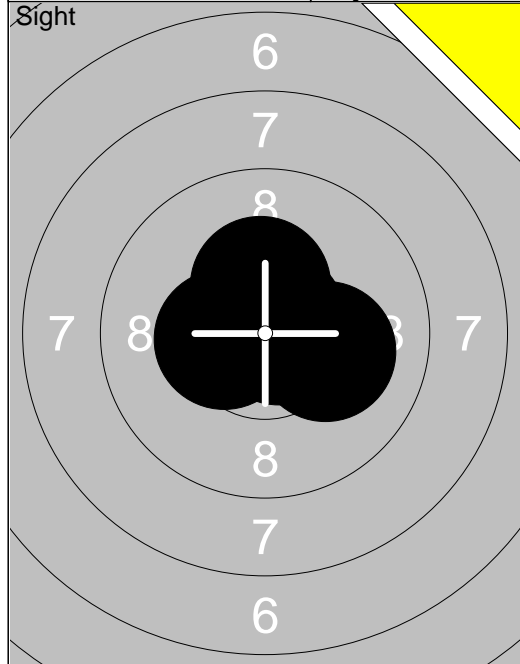
<p>40 Shots</p> 	<p>21: 9.8 ↗ 22: *10.5↖ 23: *10.3↖ 24: *10.7→ 25: 10.0← 26: 9.9 ← 27: *10.2↗ 28: *10.2↓ 29: 10.1 ↖ 30: 10.0 ↑</p> <p>Series 101.7 Total 305.0</p>	<p>40 Shots</p> 	<p>31: *10.7↓ 32: 9.9 ↖ 33: *10.5↓ 34: *10.9↗ 35: *10.7→ 36: *10.5↓ 37: 9.6 ↑ 38: 9.6 ↖ 39: 9.4 ← 40: *10.3↓</p> <p>Series 102.1 Total 407.1</p>
----------------------------------------------------------------------------------------------------	-------------------------------------------------------------------------------------------------------------------------------------------------------------------------------------------	------------------------------------------------------------------------------------------------------	------------------------------------------------------------------------------------------------------------------------------------------------------------------------------------------

<p>Sight</p> 	<table border="1" style="width:100%; border-collapse: collapse;"> <tr><td>1:</td><td>9.5</td><td>→</td></tr> <tr><td>2:</td><td>9.4</td><td>↑</td></tr> <tr><td>3:</td><td>9.8</td><td>↑</td></tr> <tr><td>4:</td><td>*10.4</td><td>↗</td></tr> <tr><td>5:</td><td>8.2</td><td>↗</td></tr> <tr><td>6:</td><td>9.2</td><td>↗</td></tr> <tr><td>7:</td><td>9.2</td><td>↗</td></tr> <tr><td>8:</td><td>10.0</td><td>↗</td></tr> <tr><td>9:</td><td>8.9</td><td>↗</td></tr> <tr><td>10:</td><td>9.5</td><td>↓</td></tr> <tr><td colspan="2">Series</td><td>94.1</td></tr> <tr><td colspan="2">Total</td><td>0.0</td></tr> </table>	1:	9.5	→	2:	9.4	↑	3:	9.8	↑	4:	*10.4	↗	5:	8.2	↗	6:	9.2	↗	7:	9.2	↗	8:	10.0	↗	9:	8.9	↗	10:	9.5	↓	Series		94.1	Total		0.0	<p>Sight</p> 	<table border="1" style="width:100%; border-collapse: collapse;"> <tr><td>11:</td><td>8.7</td><td>←</td></tr> <tr><td>12:</td><td>*10.2</td><td>→</td></tr> <tr><td>13:</td><td>8.9</td><td>↑</td></tr> <tr><td>14:</td><td>9.6</td><td>↘</td></tr> <tr><td>15:</td><td>10.0</td><td>↓</td></tr> <tr><td>16:</td><td>9.9</td><td>→</td></tr> <tr><td>17:</td><td>9.7</td><td>↗</td></tr> <tr><td>18:</td><td>*10.4</td><td>↗</td></tr> <tr><td>19:</td><td>9.8</td><td>←</td></tr> <tr><td>20:</td><td>9.2</td><td>↘</td></tr> <tr><td colspan="2">Series</td><td>96.4</td></tr> <tr><td colspan="2">Total</td><td>0.0</td></tr> </table>	11:	8.7	←	12:	*10.2	→	13:	8.9	↑	14:	9.6	↘	15:	10.0	↓	16:	9.9	→	17:	9.7	↗	18:	*10.4	↗	19:	9.8	←	20:	9.2	↘	Series		96.4	Total		0.0
1:	9.5	→																																																																									
2:	9.4	↑																																																																									
3:	9.8	↑																																																																									
4:	*10.4	↗																																																																									
5:	8.2	↗																																																																									
6:	9.2	↗																																																																									
7:	9.2	↗																																																																									
8:	10.0	↗																																																																									
9:	8.9	↗																																																																									
10:	9.5	↓																																																																									
Series		94.1																																																																									
Total		0.0																																																																									
11:	8.7	←																																																																									
12:	*10.2	→																																																																									
13:	8.9	↑																																																																									
14:	9.6	↘																																																																									
15:	10.0	↓																																																																									
16:	9.9	→																																																																									
17:	9.7	↗																																																																									
18:	*10.4	↗																																																																									
19:	9.8	←																																																																									
20:	9.2	↘																																																																									
Series		96.4																																																																									
Total		0.0																																																																									

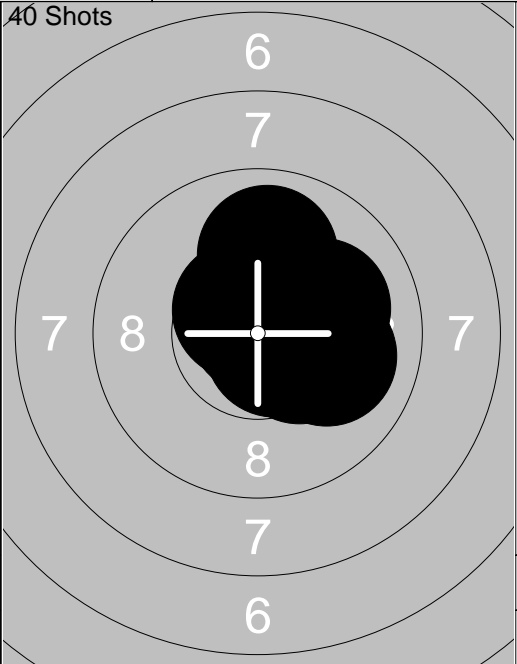
<p>Sight</p> 	<table border="1" style="width:100%; border-collapse: collapse;"> <tr><td>21:</td><td>9.5</td><td>→</td></tr> <tr><td>22:</td><td>10.1</td><td>←</td></tr> <tr><td>23:</td><td>9.9</td><td>←</td></tr> <tr><td>24:</td><td>10.1</td><td>↓</td></tr> <tr><td colspan="2">Series</td><td>39.6</td></tr> <tr><td colspan="2">Total</td><td>0.0</td></tr> </table>	21:	9.5	→	22:	10.1	←	23:	9.9	←	24:	10.1	↓	Series		39.6	Total		0.0	<p>40 Shots</p> 	<table border="1" style="width:100%; border-collapse: collapse;"> <tr><td>1:</td><td>*10.3</td><td>↖</td></tr> <tr><td>2:</td><td>9.3</td><td>↑</td></tr> <tr><td>3:</td><td>*10.3</td><td>→</td></tr> <tr><td>4:</td><td>*10.7</td><td>→</td></tr> <tr><td>5:</td><td>*10.3</td><td>↓</td></tr> <tr><td>6:</td><td>*10.4</td><td>↓</td></tr> <tr><td>7:</td><td>10.1</td><td>↘</td></tr> <tr><td>8:</td><td>9.9</td><td>↘</td></tr> <tr><td>9:</td><td>*10.2</td><td>↗</td></tr> <tr><td>10:</td><td>10.0</td><td>↘</td></tr> <tr><td colspan="2">Series</td><td>101.5</td></tr> <tr><td colspan="2">Total</td><td>101.5</td></tr> </table>	1:	*10.3	↖	2:	9.3	↑	3:	*10.3	→	4:	*10.7	→	5:	*10.3	↓	6:	*10.4	↓	7:	10.1	↘	8:	9.9	↘	9:	*10.2	↗	10:	10.0	↘	Series		101.5	Total		101.5
21:	9.5	→																																																							
22:	10.1	←																																																							
23:	9.9	←																																																							
24:	10.1	↓																																																							
Series		39.6																																																							
Total		0.0																																																							
1:	*10.3	↖																																																							
2:	9.3	↑																																																							
3:	*10.3	→																																																							
4:	*10.7	→																																																							
5:	*10.3	↓																																																							
6:	*10.4	↓																																																							
7:	10.1	↘																																																							
8:	9.9	↘																																																							
9:	*10.2	↗																																																							
10:	10.0	↘																																																							
Series		101.5																																																							
Total		101.5																																																							

<p>40 Shots</p> 	<table border="1" style="width:100%; border-collapse: collapse;"> <tr><td>11:</td><td>9.7</td><td>↘</td></tr> <tr><td>12:</td><td>*10.4</td><td>←</td></tr> <tr><td>13:</td><td>9.2</td><td>→</td></tr> <tr><td>14:</td><td>*10.3</td><td>↘</td></tr> <tr><td>15:</td><td>*10.5</td><td>→</td></tr> <tr><td>16:</td><td>9.5</td><td>↘</td></tr> <tr><td>17:</td><td>*10.7</td><td>→</td></tr> <tr><td>18:</td><td>*10.7</td><td>↘</td></tr> <tr><td>19:</td><td>*10.7</td><td>←</td></tr> <tr><td>20:</td><td>*10.2</td><td>↓</td></tr> <tr><td colspan="2">Series</td><td>101.9</td></tr> <tr><td colspan="2">Total</td><td>203.4</td></tr> </table>	11:	9.7	↘	12:	*10.4	←	13:	9.2	→	14:	*10.3	↘	15:	*10.5	→	16:	9.5	↘	17:	*10.7	→	18:	*10.7	↘	19:	*10.7	←	20:	*10.2	↓	Series		101.9	Total		203.4	<p>40 Shots</p> 	<table border="1" style="width:100%; border-collapse: collapse;"> <tr><td>21:</td><td>*10.4</td><td>↗</td></tr> <tr><td>22:</td><td>*10.6</td><td>→</td></tr> <tr><td>23:</td><td>*10.3</td><td>←</td></tr> <tr><td>24:</td><td>*10.4</td><td>↘</td></tr> <tr><td>25:</td><td>9.5</td><td>↓</td></tr> <tr><td>26:</td><td>8.5</td><td>↓</td></tr> <tr><td>27:</td><td>*10.3</td><td>↘</td></tr> <tr><td>28:</td><td>*10.3</td><td>↓</td></tr> <tr><td>29:</td><td>*10.4</td><td>↓</td></tr> <tr><td>30:</td><td>9.6</td><td>↖</td></tr> <tr><td colspan="2">Series</td><td>100.3</td></tr> <tr><td colspan="2">Total</td><td>303.7</td></tr> </table>	21:	*10.4	↗	22:	*10.6	→	23:	*10.3	←	24:	*10.4	↘	25:	9.5	↓	26:	8.5	↓	27:	*10.3	↘	28:	*10.3	↓	29:	*10.4	↓	30:	9.6	↖	Series		100.3	Total		303.7
11:	9.7	↘																																																																									
12:	*10.4	←																																																																									
13:	9.2	→																																																																									
14:	*10.3	↘																																																																									
15:	*10.5	→																																																																									
16:	9.5	↘																																																																									
17:	*10.7	→																																																																									
18:	*10.7	↘																																																																									
19:	*10.7	←																																																																									
20:	*10.2	↓																																																																									
Series		101.9																																																																									
Total		203.4																																																																									
21:	*10.4	↗																																																																									
22:	*10.6	→																																																																									
23:	*10.3	←																																																																									
24:	*10.4	↘																																																																									
25:	9.5	↓																																																																									
26:	8.5	↓																																																																									
27:	*10.3	↘																																																																									
28:	*10.3	↓																																																																									
29:	*10.4	↓																																																																									
30:	9.6	↖																																																																									
Series		100.3																																																																									
Total		303.7																																																																									

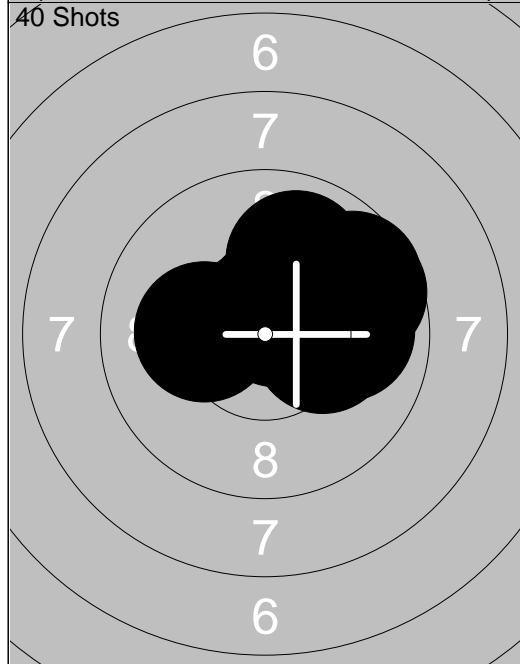
<p>40 Shots</p> 	<table border="1" style="width:100%; border-collapse: collapse;"> <tr><td>31:</td><td>10.1</td><td>↗</td></tr> <tr><td>32:</td><td>10.1</td><td>↓</td></tr> <tr><td>33:</td><td>10.1</td><td>↘</td></tr> <tr><td>34:</td><td>9.7</td><td>←</td></tr> <tr><td>35:</td><td>9.6</td><td>↘</td></tr> <tr><td>36:</td><td>*10.4</td><td>↘</td></tr> <tr><td>37:</td><td>*10.5</td><td>↗</td></tr> <tr><td>38:</td><td>*10.5</td><td>→</td></tr> <tr><td>39:</td><td>10.1</td><td>↓</td></tr> <tr><td>40:</td><td>*10.3</td><td>↘</td></tr> <tr><td colspan="2">Series</td><td>101.4</td></tr> <tr><td colspan="2">Total</td><td>405.1</td></tr> </table>	31:	10.1	↗	32:	10.1	↓	33:	10.1	↘	34:	9.7	←	35:	9.6	↘	36:	*10.4	↘	37:	*10.5	↗	38:	*10.5	→	39:	10.1	↓	40:	*10.3	↘	Series		101.4	Total		405.1		
31:	10.1	↗																																					
32:	10.1	↓																																					
33:	10.1	↘																																					
34:	9.7	←																																					
35:	9.6	↘																																					
36:	*10.4	↘																																					
37:	*10.5	↗																																					
38:	*10.5	→																																					
39:	10.1	↓																																					
40:	*10.3	↘																																					
Series		101.4																																					
Total		405.1																																					



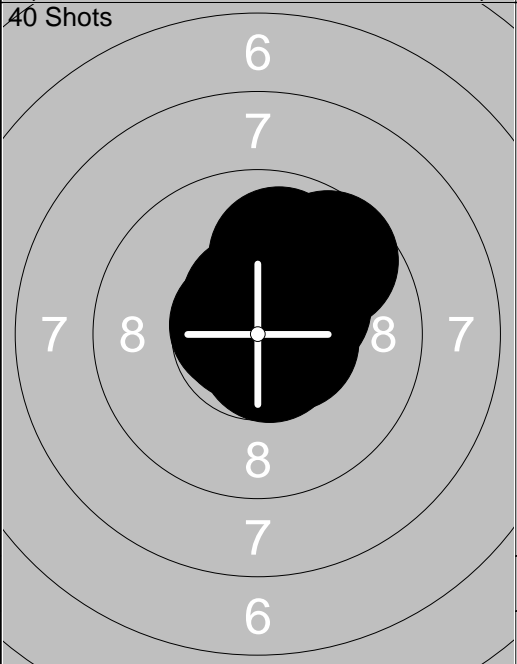
1: *10.8→
2: *10.4←
3: *10.7↗
4: 10.1→
5: *10.4↑
Series 52.4
Total 0.0



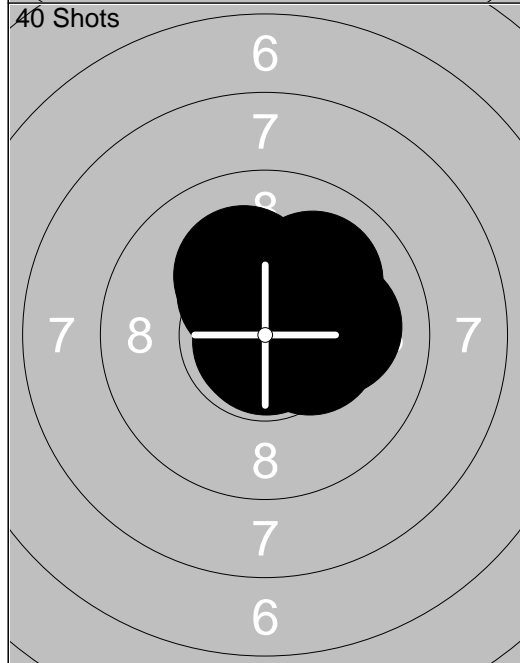
1: 10.1→
2: 10.0→
3: 9.9 ↑
4: *10.8↑
5: *10.3↗
6: *10.6↖
7: *10.5→
8: *10.4→
9: *10.8↗
10: *10.7↘
Series 104.1
Total 104.1



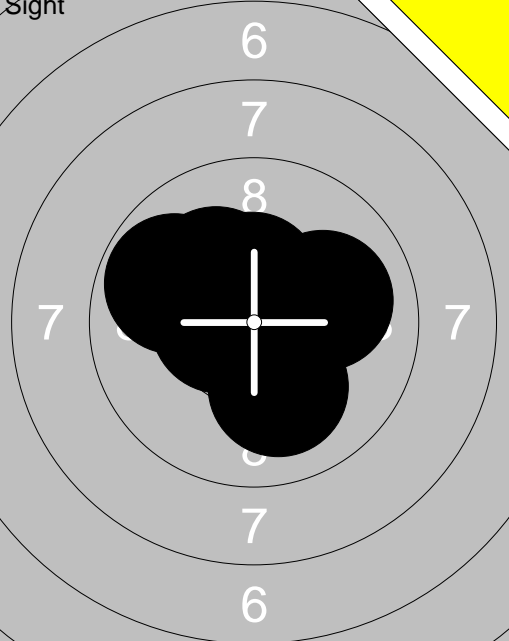
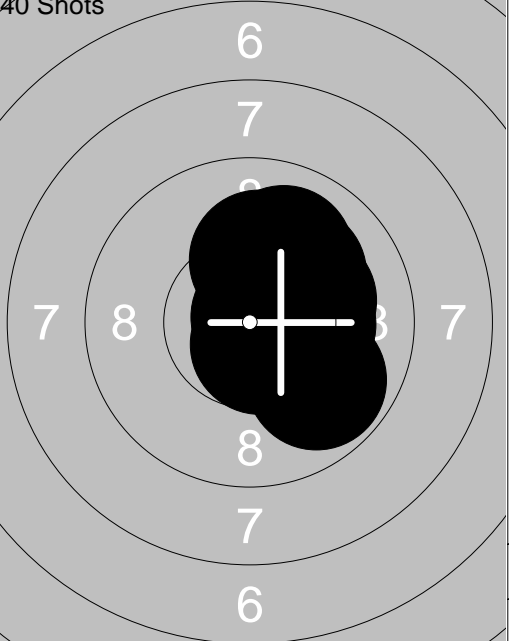
11: *10.7↗
12: *10.3↗
13: *10.2←
14: *10.2→
15: *10.6↑
16: 9.6 ↗
17: 9.9 ↑
18: 9.7 ↗
19: 9.9 →
20: *10.6↑
Series 101.7
Total 205.8

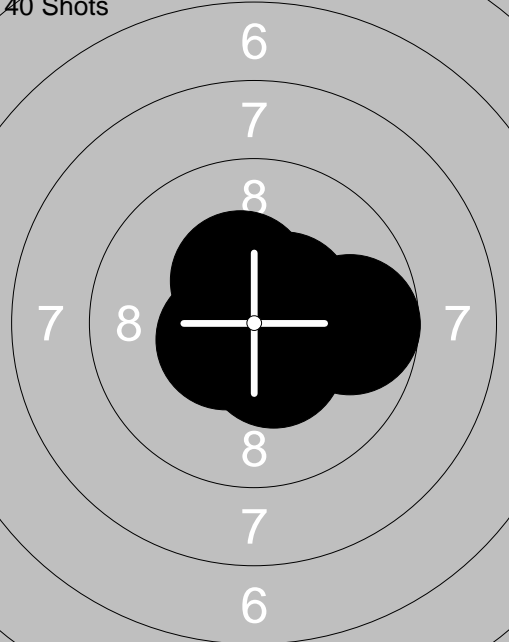




21: 9.7 ↗
22: *10.6↑
23: *10.8→
24: *10.7↘
25: *10.7↖
26: *10.5→
27: *10.8↖
28: *10.3↗
29: *10.6↑
30: 9.9 ↑
Series 104.6
Total 310.4

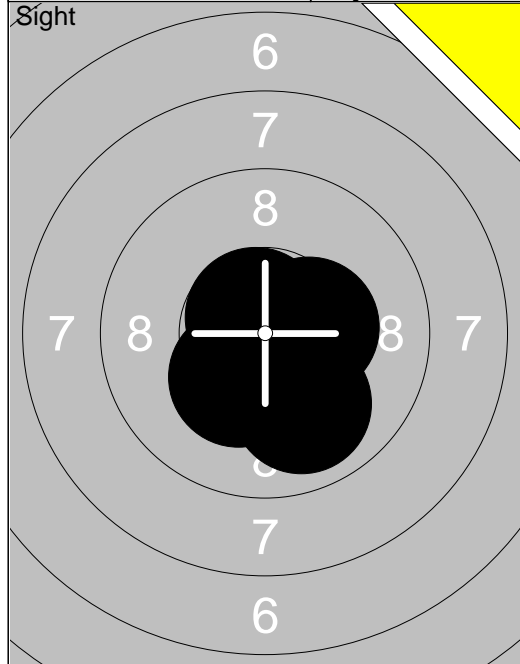


31: *10.8↓
32: *10.2↖
33: *10.4→
34: *10.8→
35: *10.4↖
36: 10.1→
37: *10.9↓
38: *10.5↗
39: 10.0 ↗
40: *10.8→
Series 104.9
Total 415.3

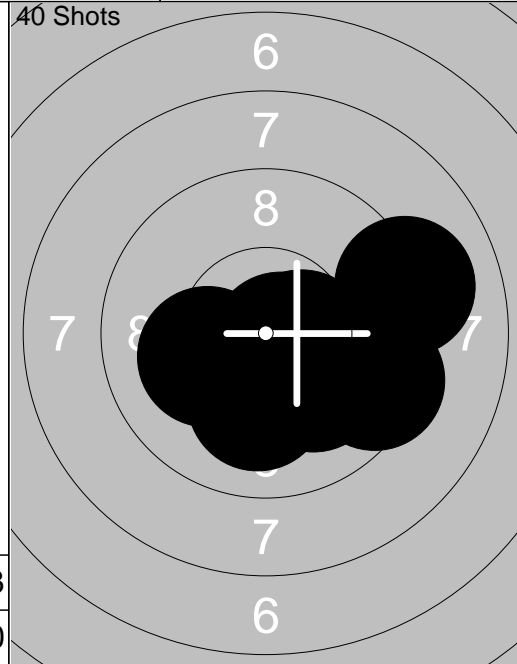
	1: 10.0 → 2: *10.7 ↓ 3: *10.2 ↘ 4: *10.7 ↓ 5: *10.7 ↘ 6: 9.8 ↖ 7: *10.5 ← 8: 10.1 ↓ 9: *10.4 ↑		1: 10.1 ↑ 2: *10.2 ↗ 3: *10.2 → 4: *10.2 → 5: *10.2 ↗ 6: 10.1 ↗ 7: 9.8 ↘ 8: 10.0 ↑ 9: *10.8 → 10: *10.6 ↓
	Series 93.1		Series 102.2
	Total 0.0		Total 102.2

	11: *10.5 → 12: *10.4 ↓ 13: 9.7 → 14: *10.4 → 15: *10.5 ↗ 16: *10.5 ↘ 17: *10.5 → 18: *10.9 ↘ 19: *10.4 ↑ 20: *10.5 ↑		21: *10.7 ↗ 22: *10.4 → 23: *10.3 ↗ 24: *10.3 ↓ 25: 10.1 ↑ 26: 9.8 ↖ 27: *10.3 ↓ 28: *10.2 ↗ 29: *10.7 → 30: 10.1 ↙
	Series 104.3		Series 102.9
	Total 206.5		Total 309.4

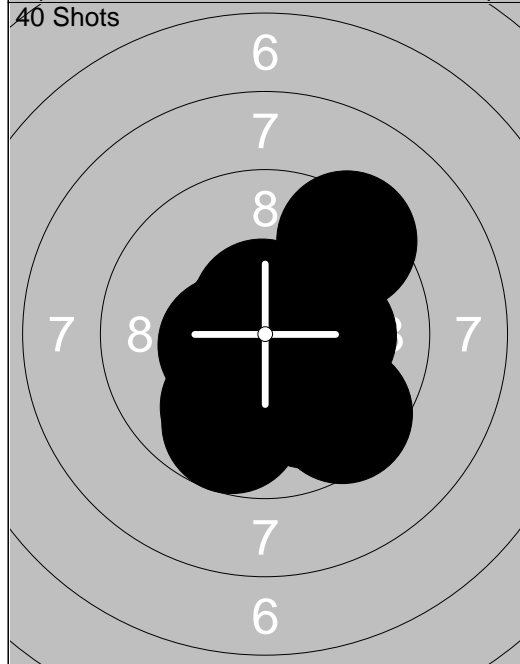
	31: *10.6 ↗ 32: *10.2 ↑ 33: *10.3 ↓ 34: *10.3 ↑ 35: 10.1 ↑ 36: *10.5 → 37: 9.5 ↑ 38: *10.4 ↑ 39: *10.6 ← 40: *10.2 →		
	Series 102.7		
	Total 412.1		



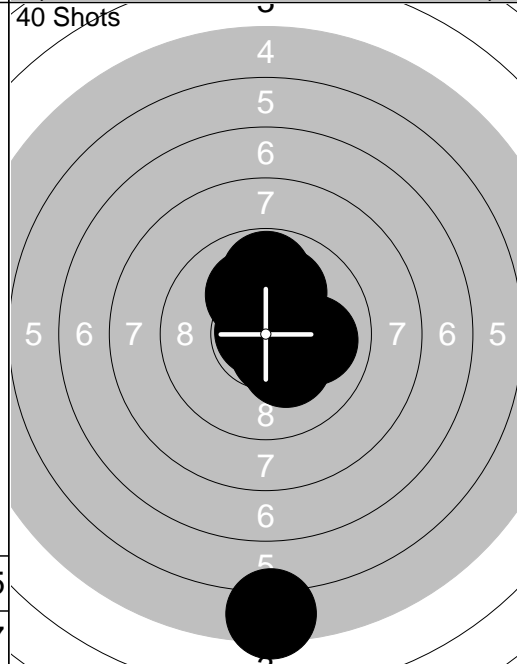
1:	9.9	↓
2:	*10.3	↓
3:	*10.4	→
4:	*10.3	↓
5:	*10.7	↓
6:	*10.7	↗
Series	62.3	
Total	0.0	



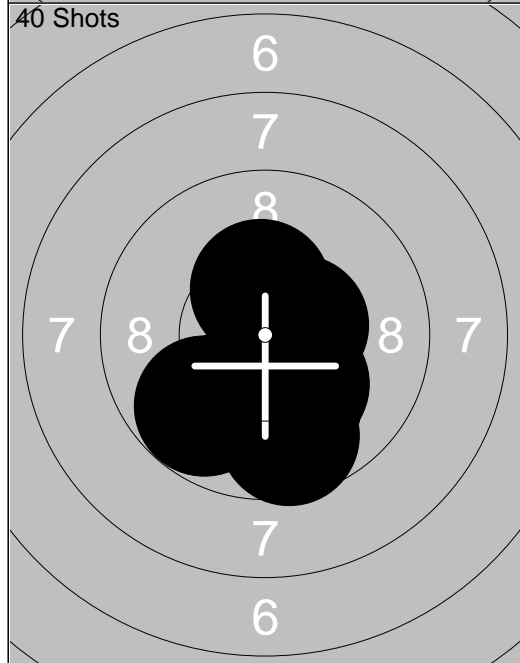
1:	*10.2	↘
2:	*10.2	→
3:	9.1	→
4:	*10.6	↓
5:	10.1	↓
6:	*10.5	→
7:	*10.3	↓
8:	9.4	→
9:	*10.7	→
10:	10.1	↓
Series	101.2	
Total	101.2	



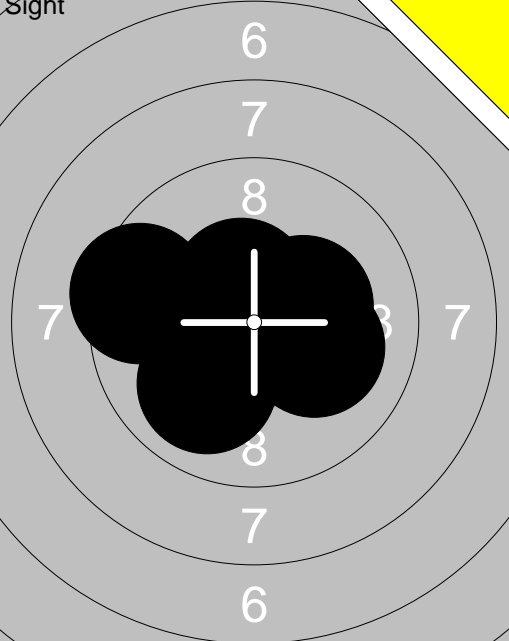
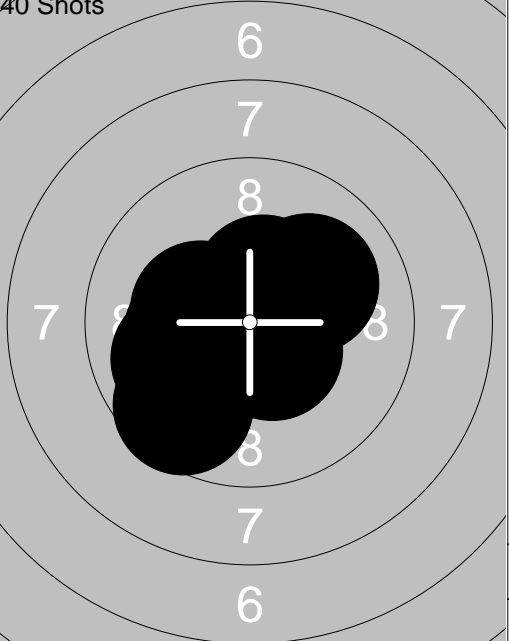
11:	*10.4	↓
12:	*10.3	↗
13:	*10.2	→
14:	10.0	↓
15:	9.9	↓
16:	9.5	↓
17:	*10.5	↘
18:	9.7	↓
19:	9.4	↗
20:	*10.6	↑
Series	100.5	
Total	201.7	

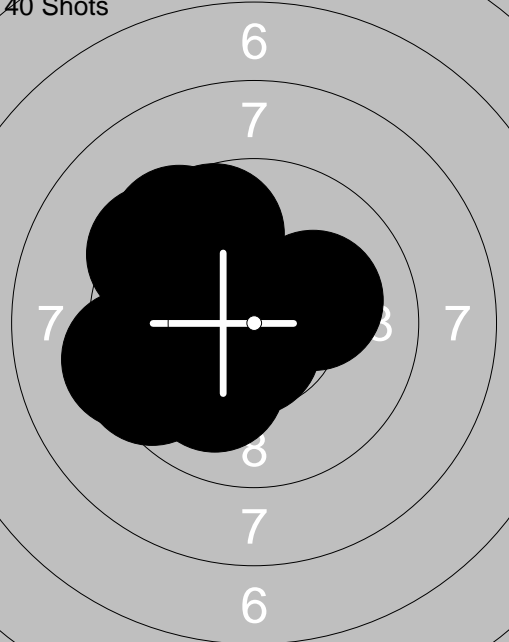
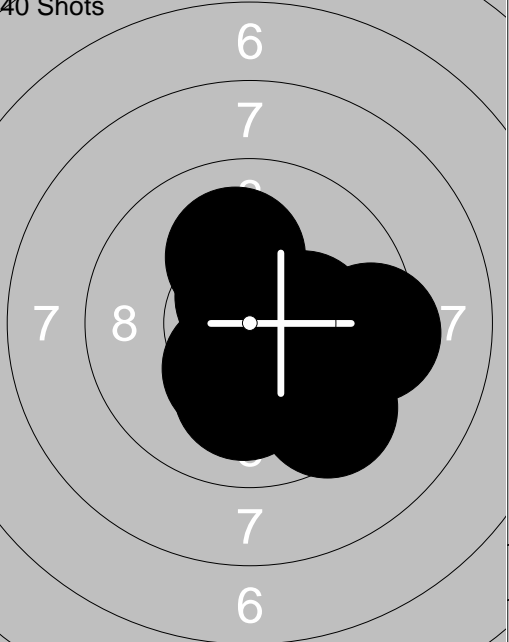



21:	9.8	↑
22:	*10.8	↘
23:	5.4	↓
24:	10.1	↑
25:	*10.4	↑
26:	10.1	↑
27:	*10.3	↓
28:	10.0	→
29:	*10.6	↓
30:	*10.6	↓
Series	98.1	
Total	299.8	


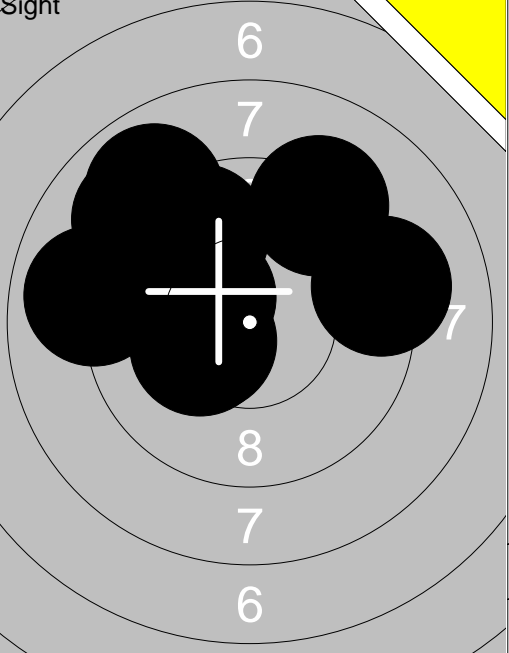

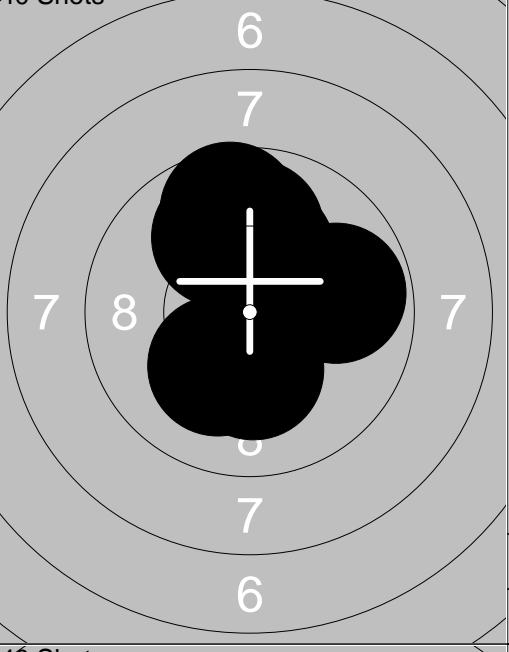
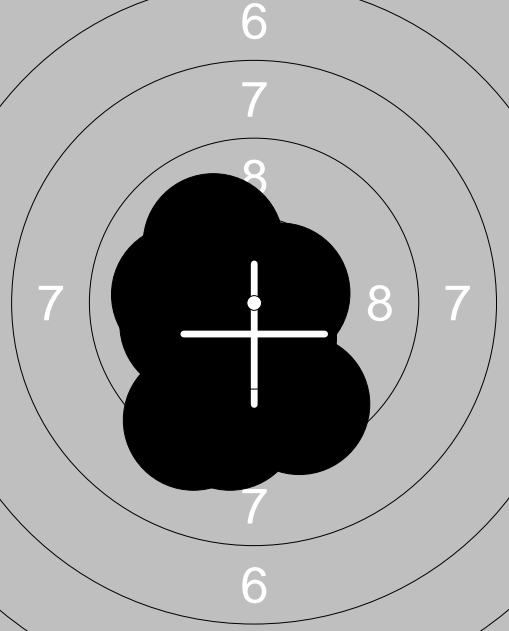
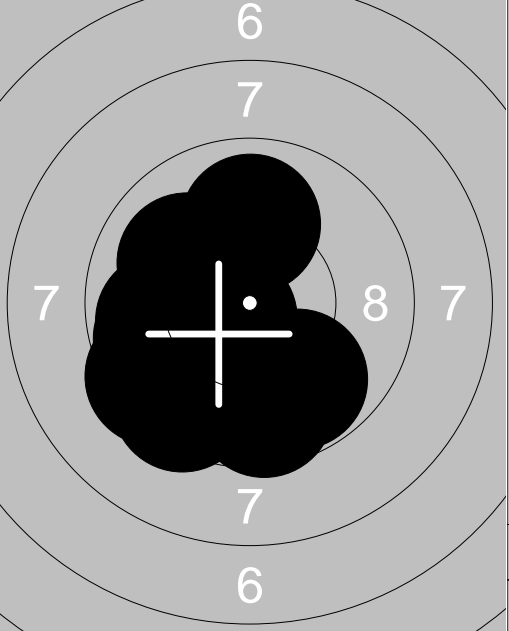


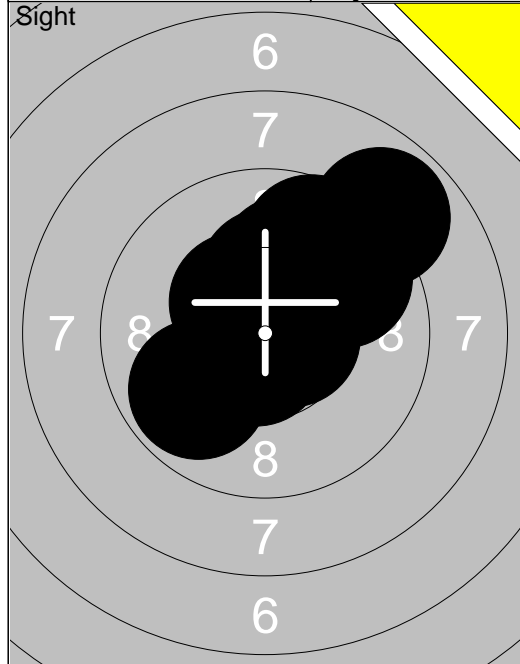
31:	9.6	↓
32:	*10.4	↓
33:	*10.4	↑
34:	10.0	↓
35:	*10.2	↘
36:	9.8	↘
37:	10.0	↓
38:	*10.5	↓
39:	*10.5	→
40:	10.1	↓
Series	101.5	
Total	401.3	

<p>Sight</p> 	<p>40 Shots</p> 	<p>1: *10.8 ↘</p> <p>2: *10.5 ➤</p> <p>3: *10.3 ➤</p> <p>4: 10.0 ↙</p> <p>5: *10.5 ↗</p> <p>6: 9.5 ←</p> <p>7: 10.1 ➤</p> <hr/> <p>Series 71.7</p> <p>Total 0.0</p>	<p>1: *10.8 ↘</p> <p>2: 9.6 ↙</p> <p>3: *10.4 ↙</p> <p>4: *10.4 ↗</p> <p>5: *10.5 ↘</p> <p>6: 10.0 ↗</p> <p>7: 10.0 ↙</p> <p>8: *10.6 ↗</p> <p>9: *10.3 ↘</p> <p>10: *10.2 ↘</p> <hr/> <p>Series 102.8</p> <p>Total 102.8</p>
-----------------------------------------------------------------------------------------------	----------------------------------------------------------------------------------------------------	---------------------------------------------------------------------------------------------------------------------------------------------------------------------	-------------------------------------------------------------------------------------------------------------------------------------------------------------------------------------------------------------------------------

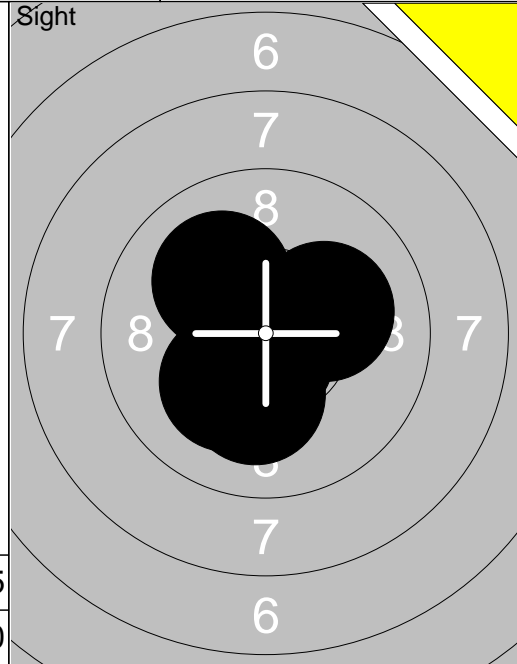
<p>40 Shots</p> 	<p>40 Shots</p> 	<p>11: 9.5 ↖</p> <p>12: *10.7 ↙</p> <p>13: 9.5 ←</p> <p>14: *10.3 ↖</p> <p>15: 9.3 ←</p> <p>16: 9.4 ↖</p> <p>17: 10.0 ↙</p> <p>18: 9.7 ↗</p> <p>19: 10.1 ➤</p> <p>20: 10.1 ↙</p> <hr/> <p>Series 98.6</p> <p>Total 201.4</p>	<p>21: 9.4 ➤</p> <p>22: 9.5 ↙</p> <p>23: *10.8 ↗</p> <p>24: *10.3 ➤</p> <p>25: *10.3 ➤</p> <p>26: 9.9 ➤</p> <p>27: 10.1 ↙</p> <p>28: *10.6 ↗</p> <p>29: *10.3 ↙</p> <p>30: 10.1 ↗</p> <hr/> <p>Series 101.3</p> <p>Total 302.7</p>
---------------------------------------------------------------------------------------------------	-----------------------------------------------------------------------------------------------------	------------------------------------------------------------------------------------------------------------------------------------------------------------------------------------------------------------------------------	------------------------------------------------------------------------------------------------------------------------------------------------------------------------------------------------------------------------------------

<p>40 Shots</p> 	<p>31: *10.4 ➤</p> <p>32: 9.6 ↙</p> <p>33: 9.1 ↖</p> <p>34: *10.5 ➤</p> <p>35: 10.1 ↗</p> <p>36: 10.1 ←</p> <p>37: *10.3 ↙</p> <p>38: *10.5 ➤</p> <p>39: *10.3 ↖</p> <p>40: *10.4 ↙</p> <hr/> <p>Series 101.3</p> <p>Total 404.0</p>		
----------------------------------------------------------------------------------------------------	--------------------------------------------------------------------------------------------------------------------------------------------------------------------------------------------------------------------------------------	--	--

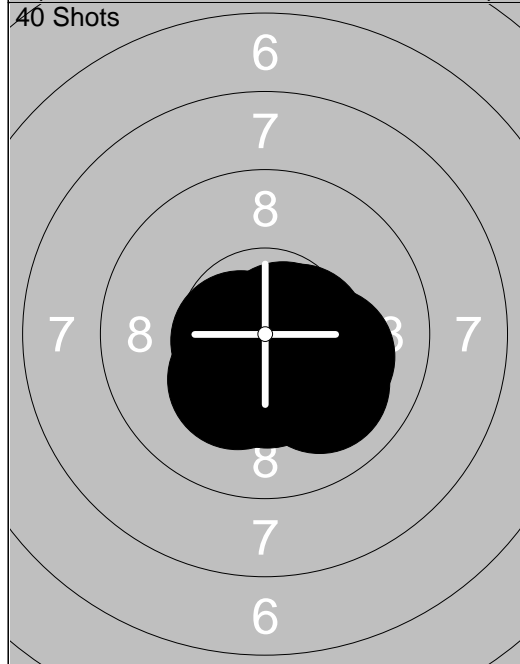
Sight		Sight	
	1: 9.0 ↗ 2: 8.4 ↗ 3: *10.3↑ 4: 9.8 ← 5: 9.7 ↑ 6: 9.7 ← 7: 9.7 ← 8: 9.0 ↙ 9: *10.3↑ 10: 8.8 ↗ <hr/> Series 94.7 Total 0.0		11: 9.0 ↖ 12: 9.2 ↗ 13: 9.2 → 14: 8.9 ↖ 15: *10.2↘ 16: 8.9 ← 17: *10.3↘ 18: 9.6 ↗ 19: *10.3↘ <hr/> Series 85.6 Total 0.0
	1: 9.2 ↗ 2: 9.8 ↖ 3: *10.7↘ 4: *10.7↓ 5: 9.1 ↑ 6: *10.4↘ 7: 9.6 ↗ 8: *10.2↘ 9: 10.0 ↑ 10: 9.5 ↑ <hr/> Series 99.2 Total 99.2		11: 9.8 → 12: *10.4↑ 13: 9.9 ↑ 14: *10.6↗ 15: *10.2↑ 16: 9.9 ↖ 17: *10.2↘ 18: 9.7 ↑ 19: 10.0 ↑ 20: *10.2↓ <hr/> Series 100.9 Total 200.1
	21: 9.5 ↓ 22: *10.4↘ 23: *10.5↓ 24: 10.0 ↖ 25: *10.6→ 26: 10.0← 27: *10.6↓ 28: 10.1← 29: 9.4 ↓ 30: 9.3 ↓ <hr/> Series 100.4 Total 300.5		31: 9.8 ← 32: 9.8 ↓ 33: 9.6 ↓ 34: *10.6↘ 35: 9.4 ↓ 36: 9.9 ↑ 37: 9.4 ← 38: 10.0↘ 39: 9.9 ↙ 40: 9.9 ← <hr/> Series 98.3 Total 398.8



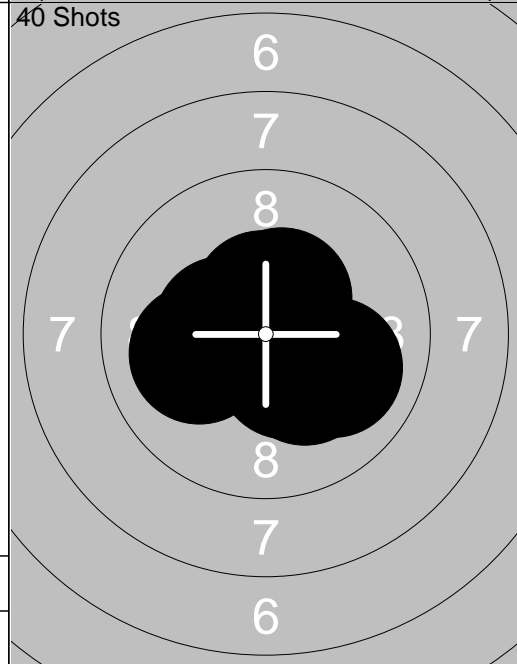
1:	9.7	↗
2:	8.9	↗
3:	9.7	↗
4:	9.8	↙
5:	10.0	↗
6:	*10.6	→
7:	*10.4	↖
8:	*10.2	↑
9:	*10.6	↗
10:	*10.6	↘
Series	100.5	
Total	0.0	



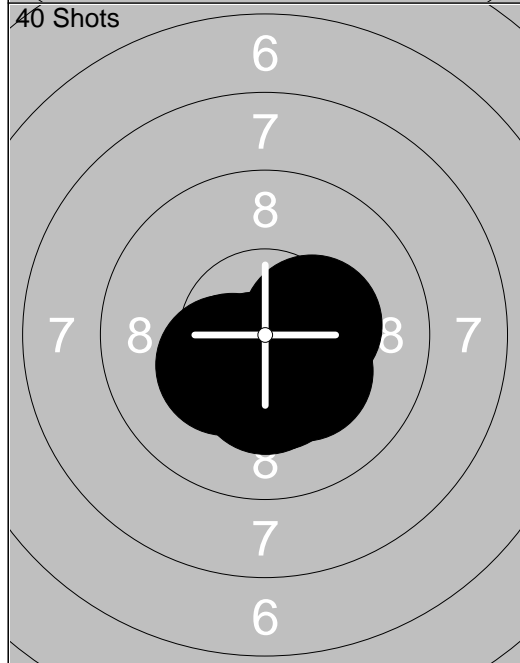
11:	*10.3	↘
12:	10.1	↖
13:	*10.2	↘
14:	*10.7	↘
15:	*10.2	↗
16:	*10.2	↘
17:	*10.8	↘
Series	72.5	
Total	0.0	



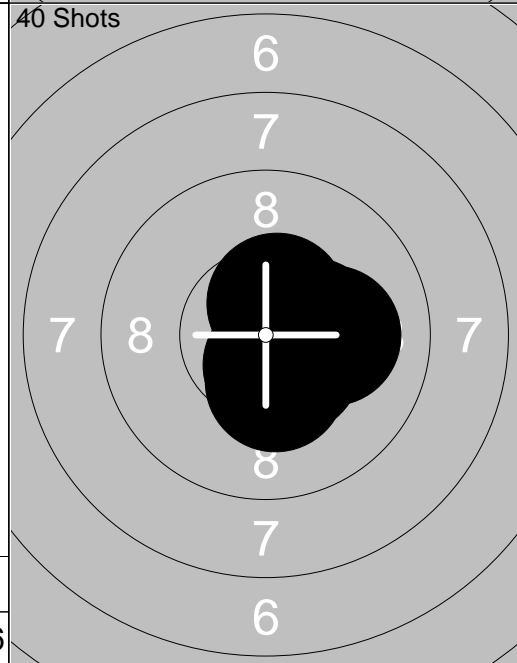
1:	10.0	↘
2:	*10.7	→
3:	*10.6	↘
4:	10.1	→
5:	*10.3	↘
6:	*10.5	→
7:	*10.4	↘
8:	*10.6	↖
9:	*10.4	↘
10:	*10.5	↘
Series	104.1	
Total	104.1	



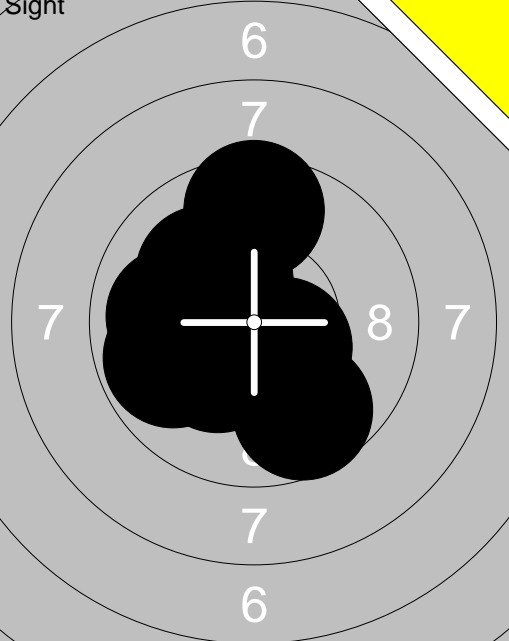

11:	*10.4	↖
12:	*10.4	↗
13:	*10.9	→
14:	*10.4	↘
15:	*10.5	↑
16:	*10.2	↘
17:	10.0	→
18:	*10.8	↖
19:	*10.7	↘
20:	10.1	↖
Series	104.4	
Total	208.5	

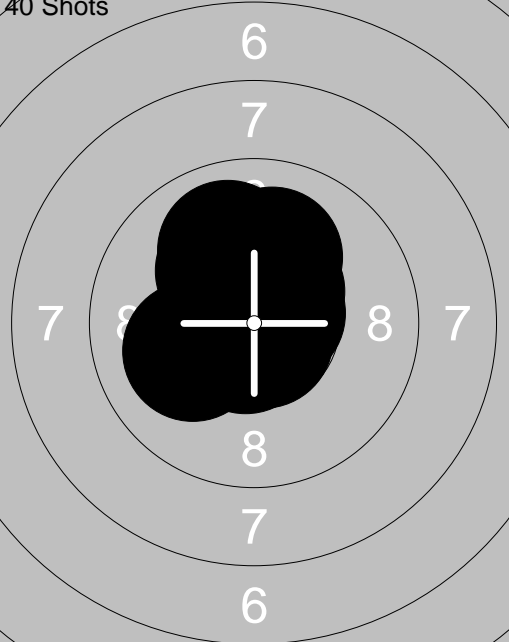
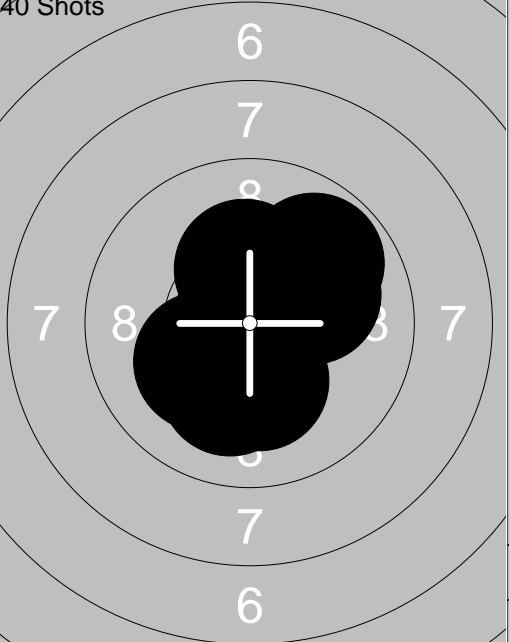


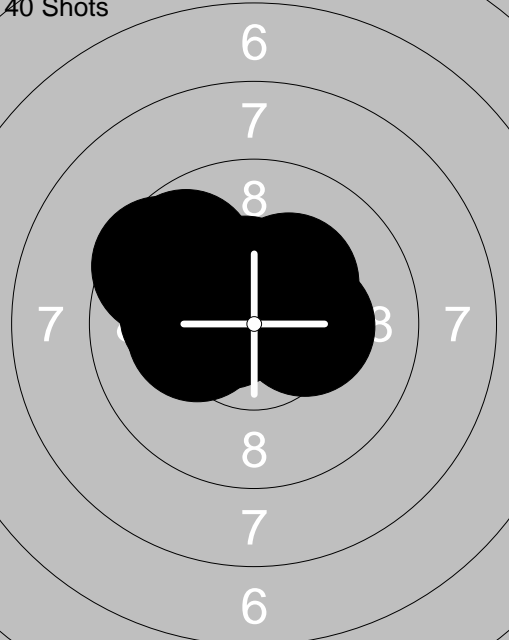
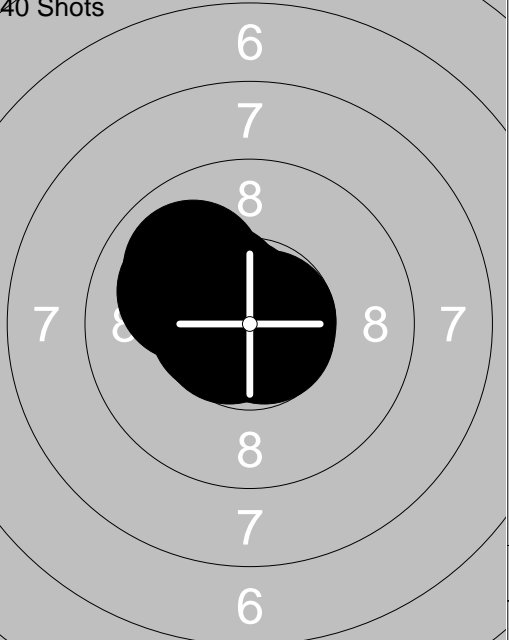
21:	*10.3	↘
22:	*10.3	↘
23:	*10.4	↘
24:	*10.6	↘
25:	*10.6	↘
26:	*10.3	↘
27:	*10.4	↘
28:	*10.6	↘
29:	*10.3	↘
30:	*10.3	→
Series	104.1	
Total	312.6	

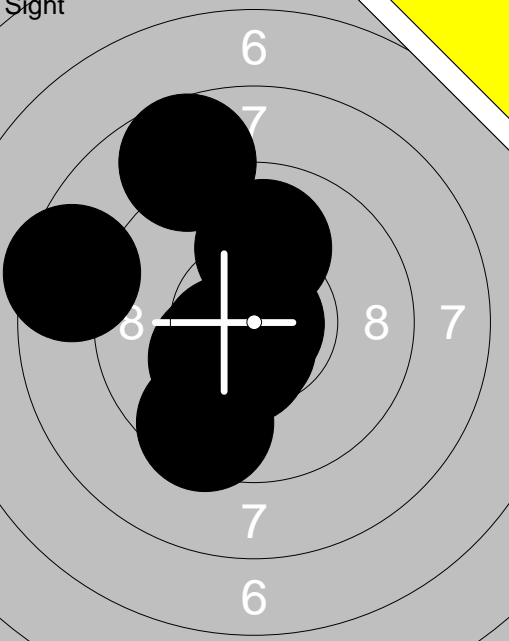
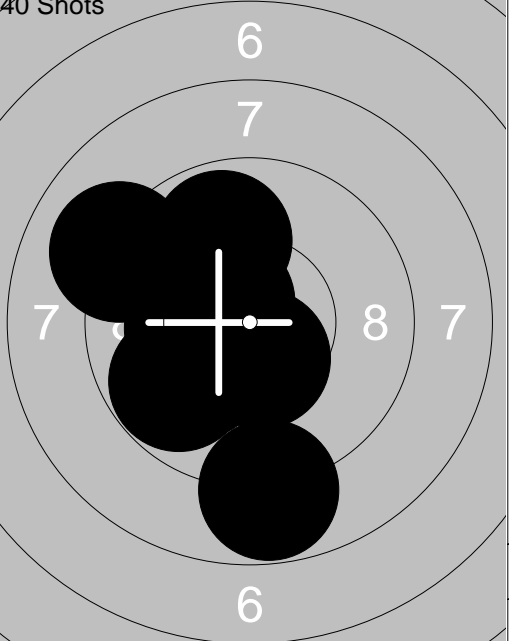


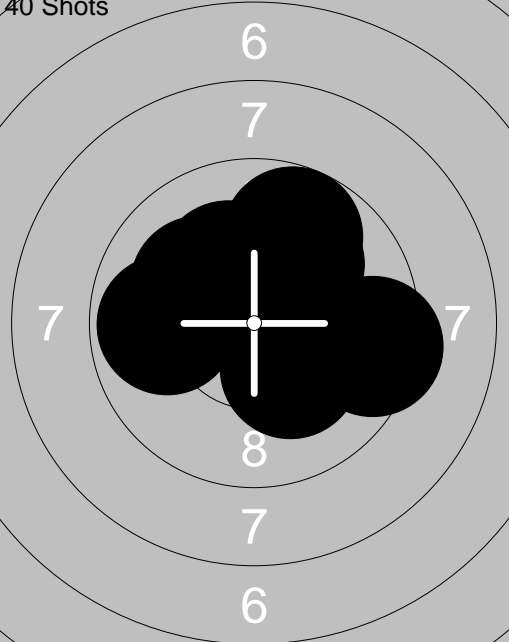
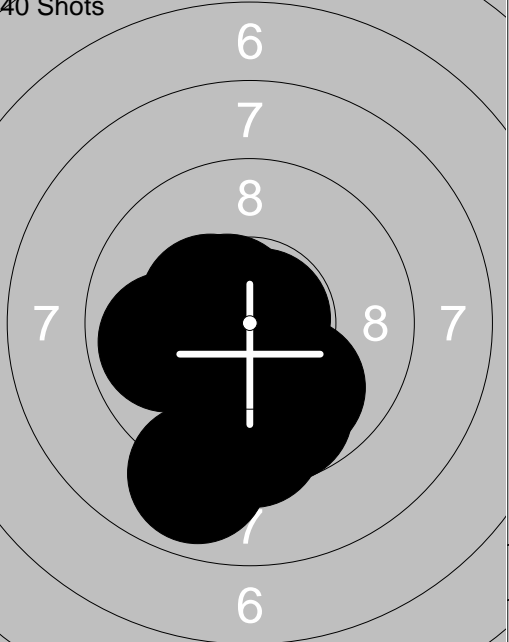
31:	*10.6	↘
32:	*10.4	→
33:	*10.4	↘
34:	*10.5	↗
35:	*10.5	→
36:	*10.3	↘
37:	10.1	→
38:	*10.5	→
39:	*10.7	↘
40:	*10.5	↘
Series	104.5	
Total	417.1	

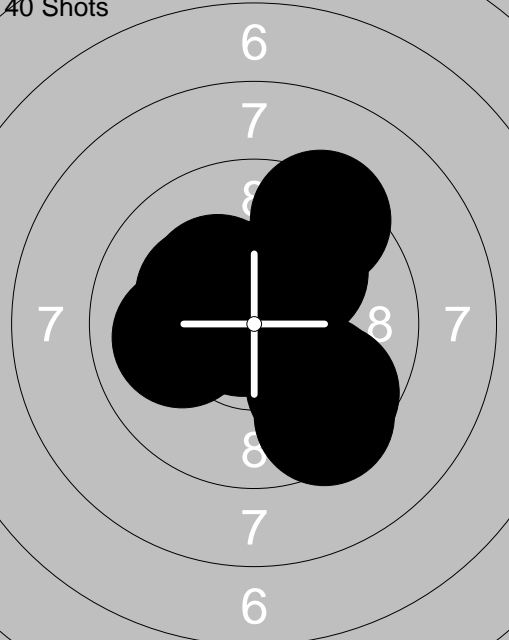
<p>Sight</p> 	<p>1: 9.8 ←</p> <p>2: *10.5 ↘</p> <p>3: *10.4 ↓</p> <p>4: *10.3 ↘</p> <p>5: 9.7 ↓</p> <p>6: *10.7 ↓</p> <p>7: 10.0 ←</p> <p>8: *10.3 ↘</p> <p>9: 9.5 ↑</p> <p>10: 10.1 ↘</p> <hr/> <p>Series 101.3</p> <p>Total 0.0</p>	<p>Sight</p> 	<p>11: *10.3 ↘</p> <p>12: *10.3 ↘</p> <p>13: *10.3 ↘</p> <hr/> <p>Series 30.9</p> <p>Total 0.0</p>
-----------------------------------------------------------------------------------------------	-------------------------------------------------------------------------------------------------------------------------------------------------------------------------------------------------------------------------	-------------------------------------------------------------------------------------------------	----------------------------------------------------------------------------------------------------


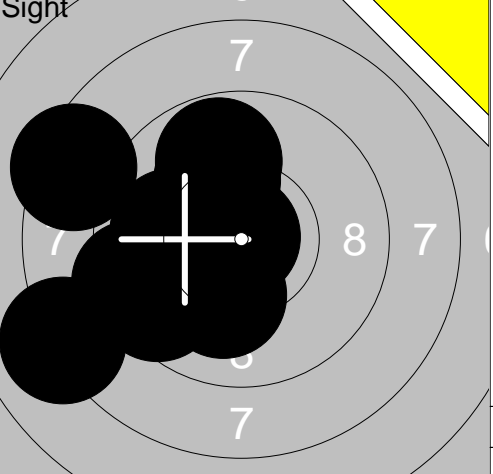
<p>40 Shots</p> 	<p>1: *10.2 ↘</p> <p>2: *10.5 ↑</p> <p>3: 10.0 ↑</p> <p>4: *10.7 ↗</p> <p>5: *10.5 ↑</p> <p>6: 10.1 ↑</p> <p>7: *10.7 ↗</p> <p>8: *10.7 ↓</p> <p>9: 10.1 ←</p> <p>10: *10.7 ↓</p> <hr/> <p>Series 104.2</p> <p>Total 104.2</p>	<p>40 Shots</p> 	<p>11: *10.2 ↓</p> <p>12: 10.1 →</p> <p>13: *10.8 ↘</p> <p>14: 9.8 ↗</p> <p>15: *10.2 ↗</p> <p>16: *10.5 ↘</p> <p>17: *10.2 ↘</p> <p>18: *10.7 ↗</p> <p>19: *10.3 ↑</p> <p>20: 10.1 ↓</p> <hr/> <p>Series 102.9</p> <p>Total 207.1</p>
---------------------------------------------------------------------------------------------------	--------------------------------------------------------------------------------------------------------------------------------------------------------------------------------------------------------------------------------	-----------------------------------------------------------------------------------------------------	----------------------------------------------------------------------------------------------------------------------------------------------------------------------------------------------------------------------------------------



<p>40 Shots</p> 	<p>21: 9.6 ←</p> <p>22: 9.8 ←</p> <p>23: *10.3 ↘</p> <p>24: *10.3 ↗</p> <p>25: 10.1 ←</p> <p>26: *10.4 ↘</p> <p>27: *10.5 ↑</p> <p>28: *10.2 ↘</p> <p>29: *10.6 ↘</p> <p>30: *10.3 →</p> <hr/> <p>Series 102.1</p> <p>Total 309.2</p>	<p>40 Shots</p> 	<p>31: 10.0 ↘</p> <p>32: *10.7 ↗</p> <p>33: *10.2 ↘</p> <p>34: *10.7 ↗</p> <p>35: 10.0 ↘</p> <p>36: *10.4 ↘</p> <p>37: *10.6 ↘</p> <p>38: *10.7 ↘</p> <p>39: *10.7 ↘</p> <p>40: *10.5 ↘</p> <hr/> <p>Series 104.5</p> <p>Total 413.7</p>
----------------------------------------------------------------------------------------------------	---------------------------------------------------------------------------------------------------------------------------------------------------------------------------------------------------------------------------------------	------------------------------------------------------------------------------------------------------	------------------------------------------------------------------------------------------------------------------------------------------------------------------------------------------------------------------------------------------



Sight		1: 8.5 ←	40 Shots		1: 9.8 ↑
		2: 8.7 ↑			2: *10.5 ↖
		3: 10.0 ↑			3: *10.5 ↘
		4: *10.3 ↘		4: 10.1 ↘	
		5: *10.9 ↘		5: 9.1 ←	
		6: 9.5 ↓		6: *10.2 ↖	
		7: *10.5 ↘		7: 9.8 ↘	
		8: *10.5 ↘		8: *10.5 ↖	
		9: *10.6 ↘		9: *10.5 ↖	
				10: 8.8 ↓	
		Series 89.5		Series 99.8	
		Total 0.0		Total 99.8	

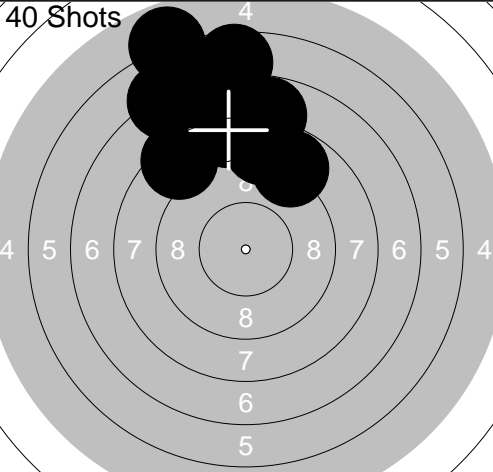
40 Shots		11: 9.8 ←	40 Shots		21: *10.6 ↖
		12: *10.2 ↘			22: 9.7 ↓
		13: *10.7 ↑			23: 9.5 ↓
		14: *10.2 ↖		24: 9.9 ←	
		15: 10.0 ↑		25: *10.8 ↖	
		16: 9.7 ↑		26: *10.4 ↖	
		17: *10.6 ↑		27: *10.8 ↗	
		18: *10.7 ↑		28: 8.9 ↓	
		19: 10.1 ↖		29: *10.3 ↖	
		20: 9.4 →		30: 9.9 ↓	
		Series 101.4		Series 100.8	
		Total 201.2		Total 302.0	

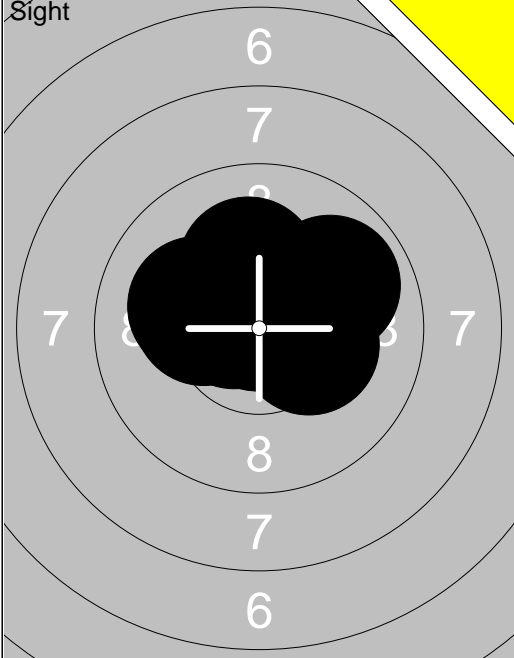
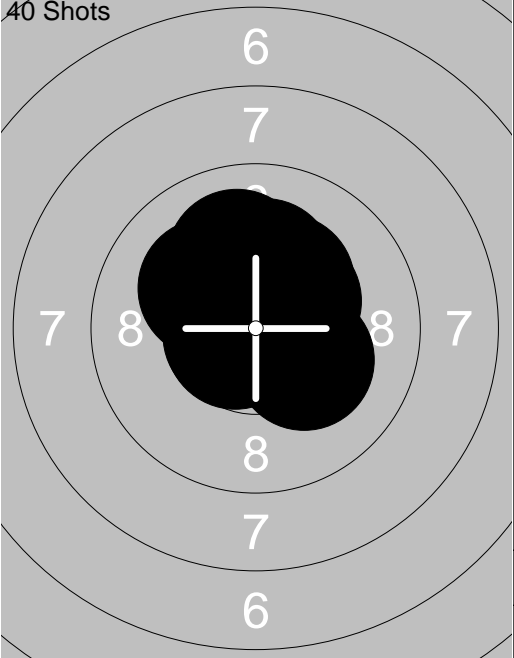
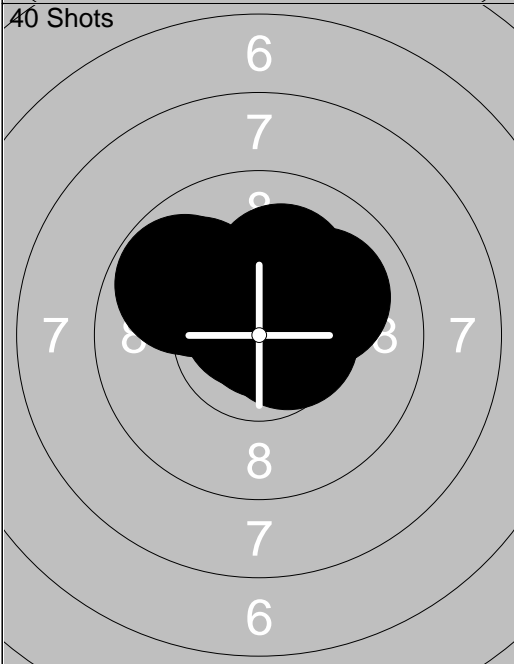
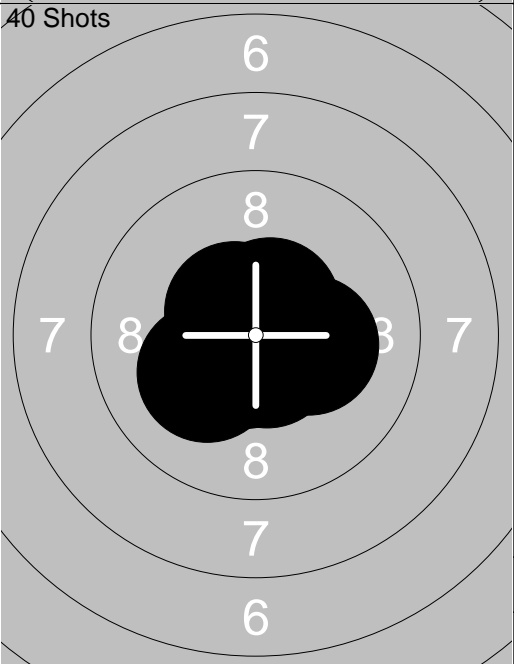
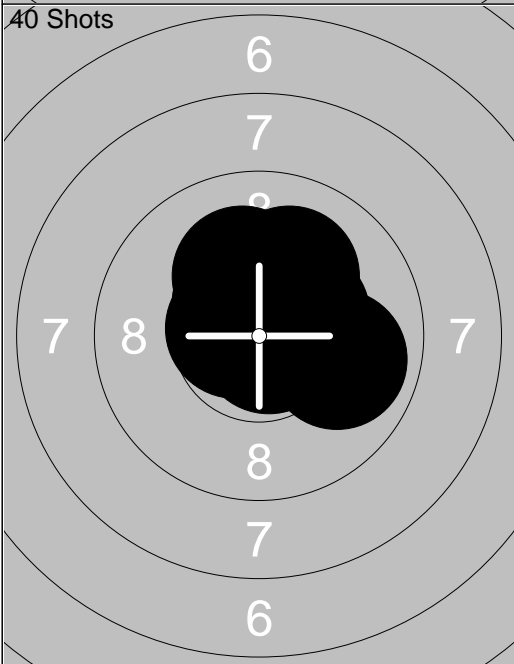
40 Shots		31: 9.8 ↘			
		32: 9.7 ↘			
		33: *10.8 ↖			
		34: *10.6 ↗			
		35: 10.0 ←			
		36: *10.2 ↖			
		37: 9.4 ↑			
		38: 9.5 ↓			
		39: *10.3 ↖			
		40: 10.1 ↗			
		Series 100.4			
		Total 402.4			

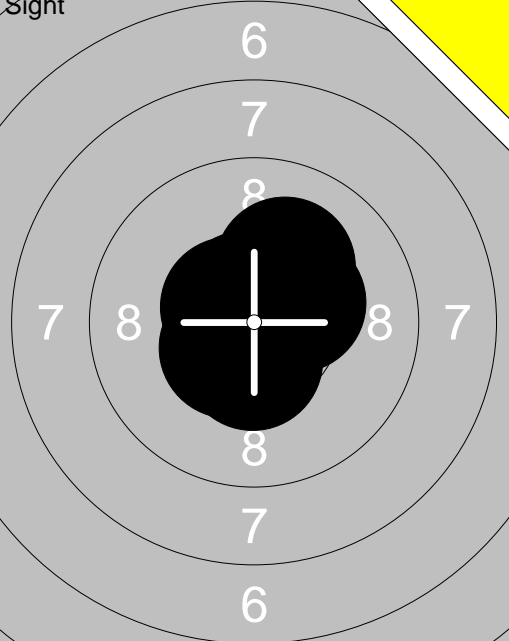
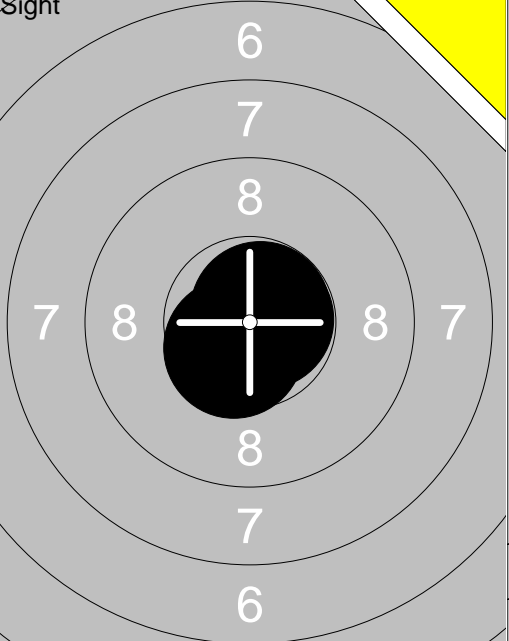
<p>Sight</p> 	<p>1: *10.3 ← 2: 10.0 ↙ 3: 9.4 ↓ 4: 10.1 ↘ 5: 9.7 ↙ 6: 9.0 ↓ 7: 9.5 ↙ 8: 9.7 ← 9: 9.9 ↗ 10: 8.9 ←</p> <p>Series 96.5 Total 0.0</p>	<p>Sight</p> 	<p>11: 8.1 ↙ 12: 8.4 ↙ 13: 10.1 ↓ 14: 9.3 ↙ 15: 9.5 ↙ 16: 10.0 ← 17: *10.9 ↙ 18: *10.5 ↘ 19: 9.8 ↗ 20: 10.1 ↗</p> <p>Series 96.7 Total 0.0</p>
------------------------------------------------------------------------------------------------------	-------------------------------------------------------------------------------------------------------------------------------------------------------------------------------------------------------------------------------------------------------------------------------------------------------------------------------------	--------------------------------------------------------------------------------------------------------	-------------------------------------------------------------------------------------------------------------------------------------------------------------------------------------------------------------------------------------------------------------------------------------------------------------------------------------------------


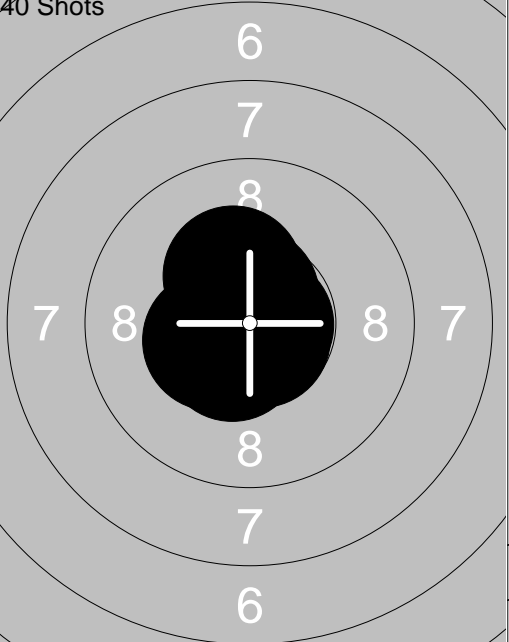
<p>Sight</p> 	<p>21: 9.7 → 22: 9.5 ↗ 23: 9.9 ↗</p> <p>Series 29.1 Total 0.0</p>	<p>40 Shots</p> 	<p>1: 9.7 ↑ 2: 9.4 ↗ 3: 8.1 ↗ 4: 7.6 ↗ 5: 8.5 ↑ 6: 9.4 ↗ 7: 9.6 ↑ 8: *10.4 ↘ 9: 9.2 ↑ 10: 8.8 ↗</p> <p>Series 90.7 Total 90.7</p>
-------------------------------------------------------------------------------------------------------	-----------------------------------------------------------------------------------------------------------------	------------------------------------------------------------------------------------------------------------	------------------------------------------------------------------------------------------------------------------------------------------------------------------------------------------------------------------------------------------------------------------------------------------------------------------------------------



<p>40 Shots</p> 	<p>11: 8.3 ↑ 12: 7.8 ↘ 13: 8.9 ↑ 14: 8.9 ↘ 15: 7.6 ↑ 16: 8.2 ↑ 17: 8.4 ↘ 18: 10.1 ↑ 19: 7.8 ↑ 20: 8.7 ↑</p> <p>Series 84.7 Total 175.4</p>	<p>40 Shots</p> 	<p>21: 7.7 ↑ 22: 9.0 ↘ 23: 7.9 ↘ 24: 7.6 ↘ 25: 8.5 ↑ 26: 9.0 ↘ 27: 7.1 ↑ 28: 8.9 ↘ 29: 7.6 ↑ 30: 6.8 ↑</p> <p>Series 80.1 Total 255.5</p>
-----------------------------------------------------------------------------------------------------------	---------------------------------------------------------------------------------------------------------------------------------------------------------------------------------------------------------------------------------------------------------------------------------------------------------------------------------------------	-------------------------------------------------------------------------------------------------------------	--------------------------------------------------------------------------------------------------------------------------------------------------------------------------------------------------------------------------------------------------------------------------------------------------------------------------------------------

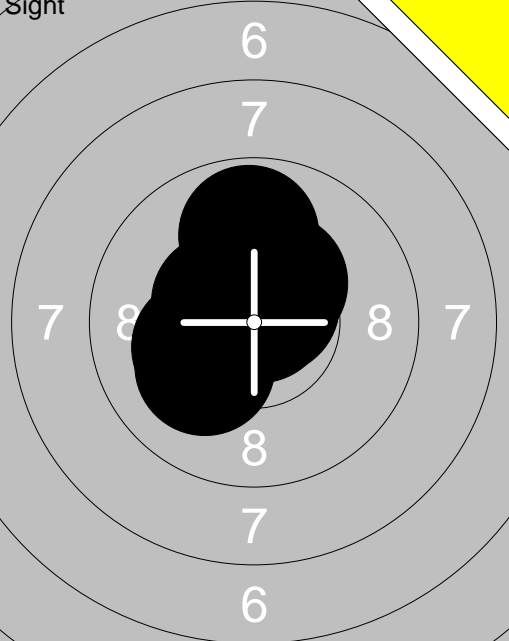
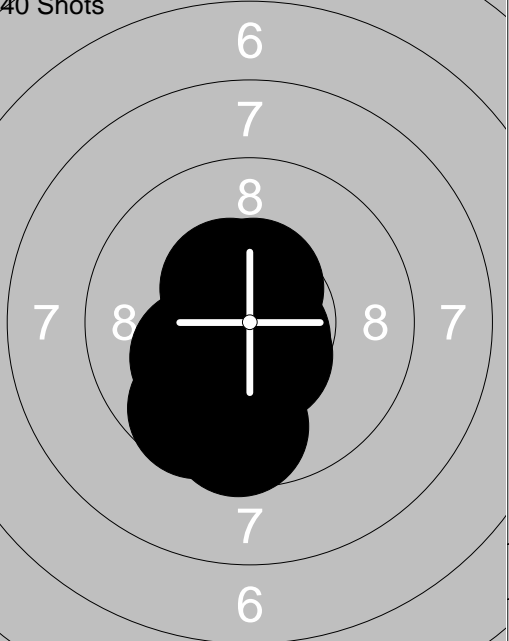
<p>40 Shots</p> 	<p>31: 7.8 ↑ 32: 7.8 ↑ 33: 8.5 ↑ 34: 8.8 ↗ 35: 6.6 ↑ 36: 8.4 ↘ 37: 8.1 ↑ 38: 7.3 ↑ 39: 5.8 ↑ 40: 7.0 ↘</p> <p>Series 76.1 Total 331.6</p>		
-----------------------------------------------------------------------------------------------------------	--------------------------------------------------------------------------------------------------------------------------------------------------------------------------------------------------------------------------------------------------------------------------------------------------------------------------------------------	--	--



Relay	Lane	Sofi Jonsson	
2	34		
10m	Ramselefors		Vb
11.01.2014	Skyttiaen Distriktsfinal 2014-	Ramselefors SKF	
Sight		1: *10.3➤ 2: 9.9 ➤ 3: *10.8↗ 4: *10.4➤ 5: *10.5↑ 6: *10.2↖ 7: 10.1↖ 8: *10.6↖ 9: *10.2↑ 10: *10.8↑ Series 103.8 Total 0.0	40 Shots  1: *10.2↑ 2: *10.7↘ 3: 10.0↑ 4: *10.3↗ 5: *10.2↖ 6: *10.6↖ 7: *10.3↖ 8: *10.4↗ 9: *10.2➤ 10: *10.8↖ Series 103.7 Total 103.7
40 Shots		11: 10.0↗ 12: *10.6↑ 13: *10.8↗ 14: *10.5↖ 15: *10.6➤ 16: 9.9 ↖ 17: 9.8 ↖ 18: *10.5↑ 19: *10.7↖ 20: 10.1↑ Series 103.5 Total 207.2	40 Shots  21: *10.5↖ 22: *10.6↘ 23: *10.6↘ 24: *10.2↖ 25: *10.3➤ 26: *10.7➤ 27: *10.7↖ 28: *10.8↑ 29: *10.6↑ 30: *10.7↗ Series 105.7 Total 312.9
40 Shots		31: *10.4↗ 32: 9.9 ➤ 33: *10.6↖ 34: *10.5↖ 35: *10.2↑ 36: *10.4➤ 37: 10.1↑ 38: *10.7↖ 39: *10.4↗ 40: *10.8➤ Series 104.0 Total 416.9	

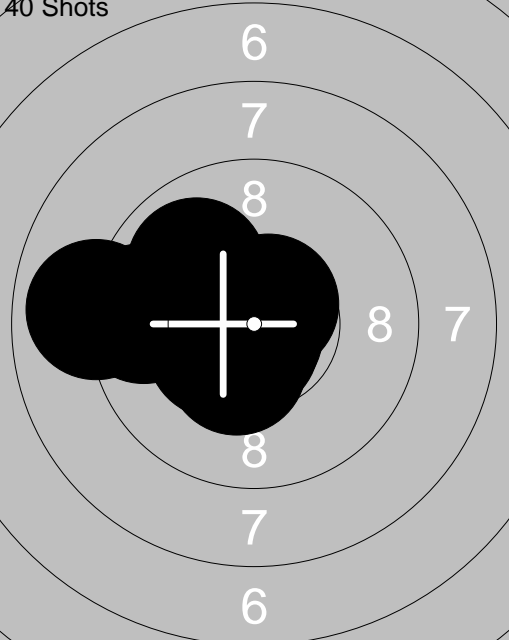
Sight 	1: *10.7↗	Sight 	11: *10.8↗
	2: 10.1 ↗		12: *10.6↘
	3: *10.7↗		13: *10.8➔
	4: *10.8↘		
5: *10.9↗			
6: *10.6↘			
7: *10.7↗			
8: *10.4➔			
9: *10.5↘			
10: *10.5↘			
Series 105.9		Series 32.2	
Total 0.0		Total 0.0	

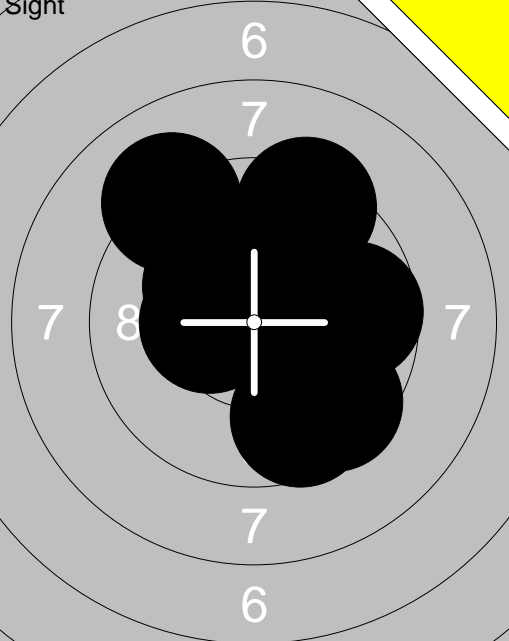
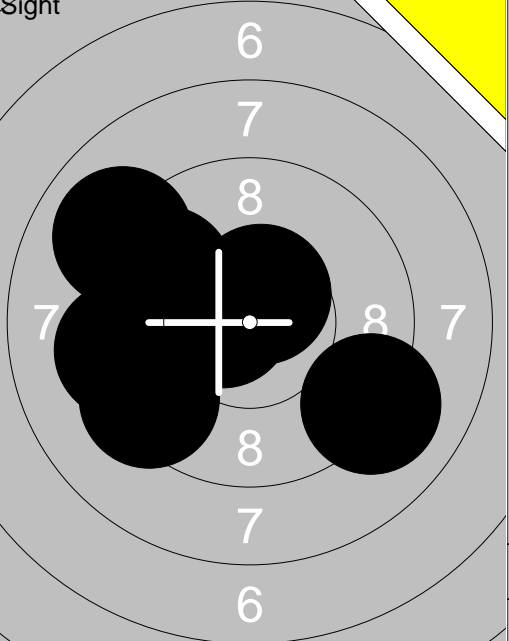
40 Shots 	1: *10.8↗	40 Shots 	11: *10.3↘
	2: *10.4↘		12: *10.7↘
	3: *10.5↘		13: *10.8↗
	4: *10.8↘		14: *10.8↗
5: *10.6↘		15: *10.8➔	
6: *10.3↘		16: *10.7↗	
7: *10.2➔		17: *10.4↘	
8: *10.6➔		18: *10.8↘	
9: *10.7➔		19: *10.5↘	
10: *10.5↗		20: *10.6↗	
Series 105.4		Series 106.4	
Total 105.4		Total 211.8	

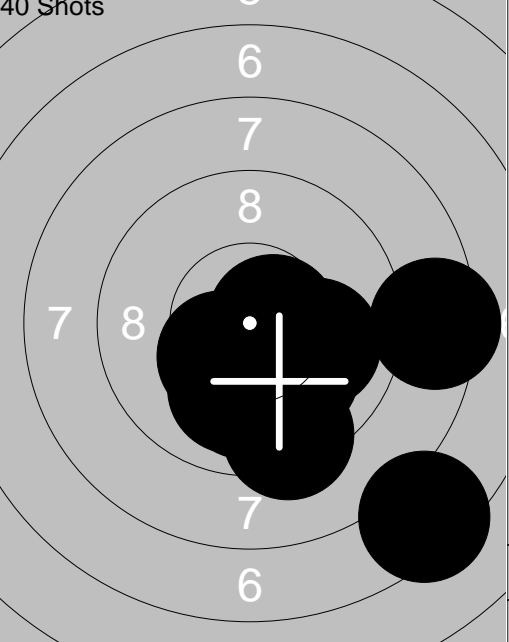
40 Shots 	21: 10.0 ↘	40 Shots 	31: *10.9↘
	22: *10.4↘		32: *10.5➔
	23: *10.3➔		33: *10.7↘
	24: *10.6↘		34: *10.2↘
25: *10.7↗		35: *10.7➔	
26: *10.5↗		36: *10.7➔	
27: *10.7↗		37: *10.8↗	
28: *10.2➔		38: *10.5↘	
29: *10.3↘		39: *10.5➔	
30: *10.6↘		40: *10.8↘	
Series 104.3		Series 106.3	
Total 316.1		Total 422.4	

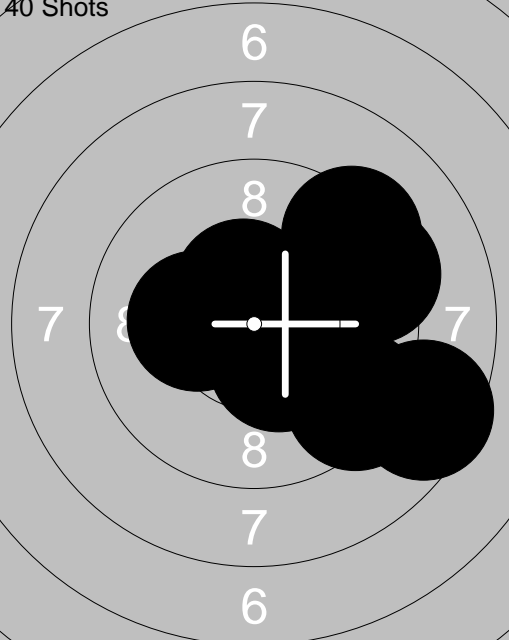

	1: *10.5 ↘ 2: 9.8 ↑ 3: *10.4 ↗ 4: *10.7 ↗ 5: *10.2 ↘ 6: *10.8 ↗ 7: 10.1 ↘		1: *10.6 ↘ 2: *10.3 ↘ 3: 9.7 ↘ 4: *10.3 ↘ 5: *10.4 ↘ 6: *10.2 ↘ 7: *10.7 ↘ 8: *10.5 ↑ 9: *10.5 ↘ 10: 9.6 ↓
	Series 72.5 Total 0.0		Series 102.8 Total 102.8

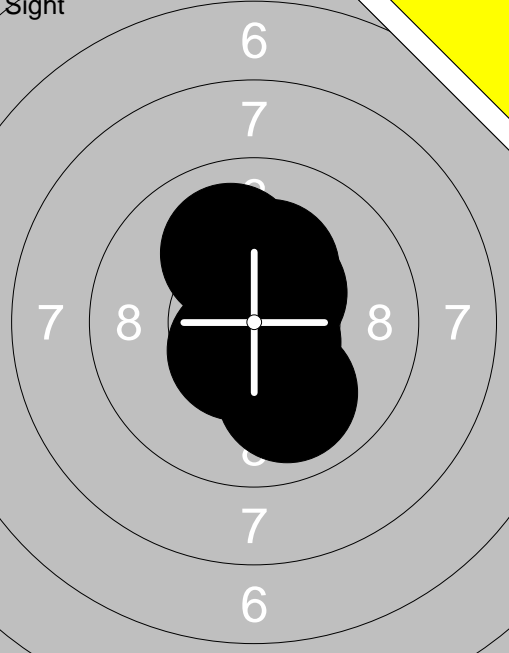
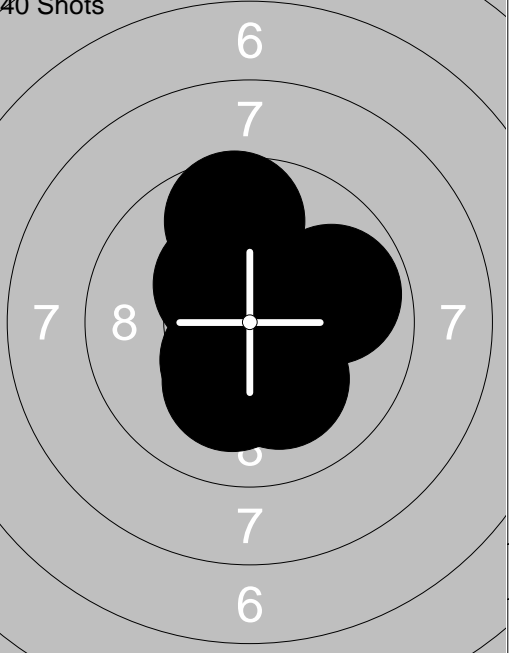
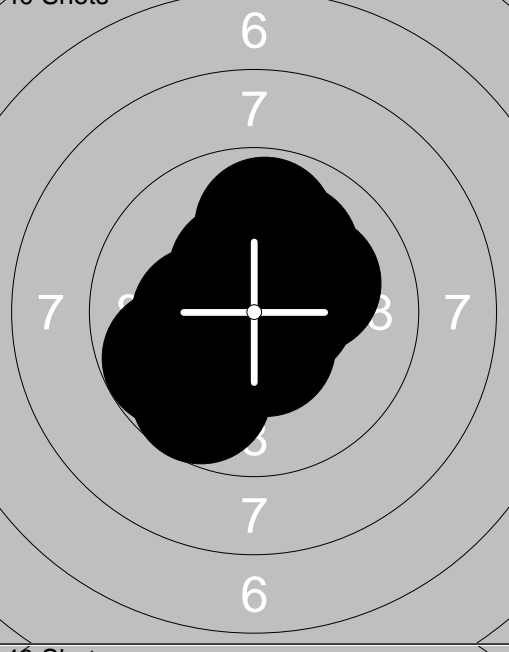
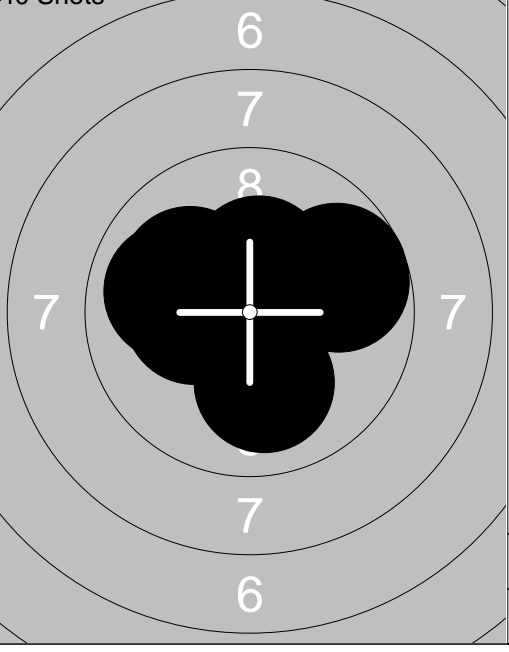
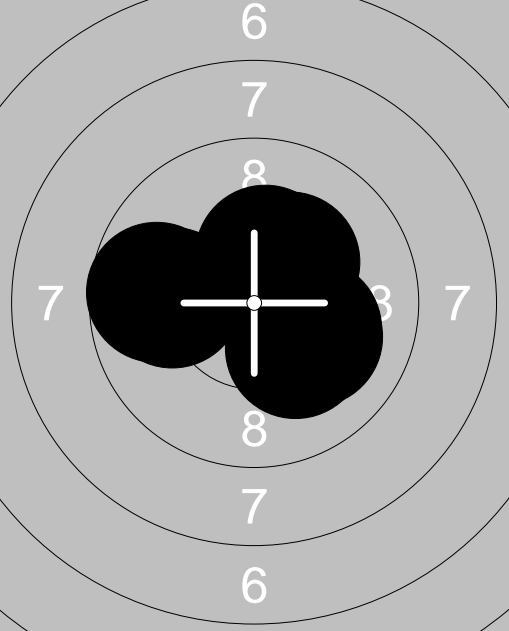
	11: *10.5 ↓ 12: 10.1 ↓ 13: *10.4 ← 14: *10.6 ↘ 15: *10.4 → 16: *10.8 ← 17: 9.8 ← 18: *10.6 ↘ 19: *10.3 ↓ 20: *10.6 →		21: *10.4 ← 22: 10.1 ↑ 23: *10.4 ↘ 24: *10.2 ↘ 25: 9.8 ↘ 26: *10.6 ← 27: *10.8 ↘ 28: *10.6 ← 29: *10.3 ↘ 30: *10.6 ↘
	Series 104.1 Total 206.9		Series 103.8 Total 310.7

	31: *10.4 ↘ 32: *10.8 ↓ 33: *10.6 ↗ 34: 9.5 ← 35: 9.9 ↖ 36: *10.3 ← 37: *10.7 ↓ 38: 8.9 ← 39: *10.4 ↘ 40: 10.0 ←	
	Series 101.5 Total 412.2	

<p>Sight</p> 	<p>1: 9.1 ↖ 2: 9.6 ↓ 3: *10.2 ↘ 4: 9.3 ↗ 5: 10.1 → 6: 10.1 ↗ 7: *10.4 ← 8: *10.3 → 9: 9.5 ↓ 10: 9.7 →</p> <p>Series 98.3 Total 0.0</p>	<p>Sight</p> 	<p>11: 9.7 ↖ 12: 9.0 ↖ 13: 9.3 ↘ 14: *10.6 ↘ 15: 9.3 ← 16: 9.1 ↓ 17: *10.6 ↗</p> <p>Series 67.6 Total 0.0</p>
-----------------------------------------------------------------------------------------------	--------------------------------------------------------------------------------------------------------------------------------------------------------------------------------	-------------------------------------------------------------------------------------------------	-------------------------------------------------------------------------------------------------------------------------------------------

<p>40 Shots</p> 	<p>1: 9.8 ↗ 2: 9.9 ↓ 3: *10.4 ↓ 4: 8.9 ← 5: *10.6 ↘ 6: 8.7 ↓ 7: 8.6 → 8: 10.0 ↓ 9: *10.4 ↓ 10: 9.4 ↓</p> <p>Series 96.7 Total 96.7</p>	<p>40 Shots</p> 	<p>11: *10.6 → 12: 10.0 ↓ 13: 7.4 ↓ 14: 10.0 ↓ 15: 10.0 ↓ 16: 8.4 → 17: *10.4 ↘ 18: 10.0 ↓ 19: 10.0 → 20: 9.3 ↓</p> <p>Series 96.1 Total 192.8</p>
---------------------------------------------------------------------------------------------------	--------------------------------------------------------------------------------------------------------------------------------------------------------------------------------	-----------------------------------------------------------------------------------------------------	--------------------------------------------------------------------------------------------------------------------------------------------------------------------------------------------

<p>40 Shots</p> 	<p>21: *10.9 ↘ 22: *10.5 ↗ 23: 9.3 → 24: *10.3 → 25: 8.5 → 26: 9.3 ↗ 27: 9.3 ↓ 28: *10.2 ↘ 29: *10.2 → 30: *10.4 ↓</p> <p>Series 98.9 Total 291.7</p>	<p>40 Shots</p> 	<p>31: *10.6 ↘ 32: 9.7 → 33: 9.0 ← 34: 9.6 ↓ 35: 9.4 ↘ 36: 9.2 ↓ 37: *10.6 ↘ 38: 9.4 → 39: 9.8 ↘ 40: 9.7 ←</p> <p>Series 97.0 Total 388.7</p>
----------------------------------------------------------------------------------------------------	-----------------------------------------------------------------------------------------------------------------------------------------------------------------------------------------------	------------------------------------------------------------------------------------------------------	---------------------------------------------------------------------------------------------------------------------------------------------------------------------------------------

<p style="font-size: small;">Sight</p> 	<p>40 Shots</p> <p>1: *10.5↗</p> <p>2: *10.5↘</p> <p>3: *10.2↑</p> <p>4: 10.0 ↑</p> <p>5: 10.0 ↓</p> <p>6: *10.9↗</p> <p>7: *10.6↘</p>		<p>1: *10.4↘</p> <p>2: *10.3↘</p> <p>3: 10.1 ↘</p> <p>4: 9.6 ↑</p> <p>5: *10.5↘</p> <p>6: *10.2↘</p> <p>7: 9.9 →</p> <p>8: *10.4↖</p> <p>9: *10.8↘</p> <p>10: *10.5→</p>
Series 72.7	Total 0.0	Series 102.7	Total 102.7
<p>40 Shots</p> 	<p>11: 9.9 ↑</p> <p>12: 9.7 ↘</p> <p>13: 10.1 →</p> <p>14: *10.5↘</p> <p>15: 10.1 ↑</p> <p>16: *10.3←</p> <p>17: 9.8 ←</p> <p>18: *10.6→</p> <p>19: *10.8↑</p> <p>20: *10.4↖</p>		<p>21: 9.9 ←</p> <p>22: *10.4↑</p> <p>23: 10.1 ↖</p> <p>24: *10.6→</p> <p>25: *10.2←</p> <p>26: 9.7 →</p> <p>27: 10.0 ↓</p> <p>28: *10.8↗</p> <p>29: *10.7↓</p> <p>30: 9.7 →</p>
Series 102.2	Total 204.9	Series 102.1	Total 307.0
<p>40 Shots</p> 	<p>31: 10.1 ↘</p> <p>32: *10.3↗</p> <p>33: *10.7↗</p> <p>34: 9.9 ←</p> <p>35: *10.5→</p> <p>36: *10.2↘</p> <p>37: 10.1 ↘</p> <p>38: *10.3↑</p> <p>39: 9.7 ←</p> <p>40: *10.4→</p>		
Series 102.2	Total 409.2		