
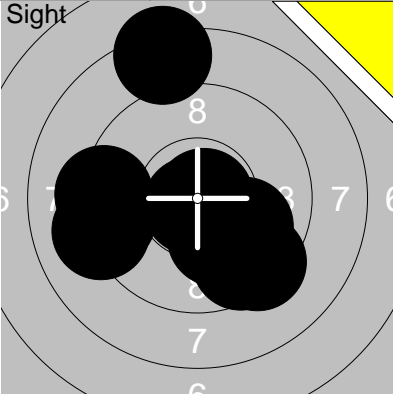
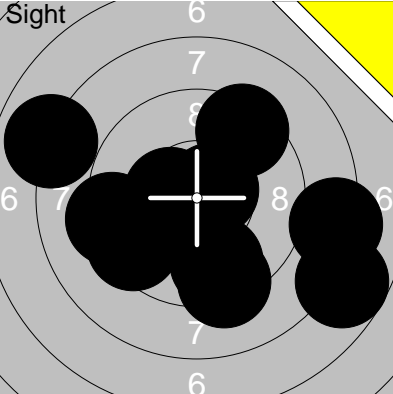
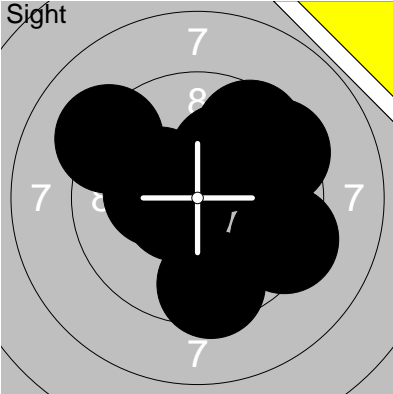
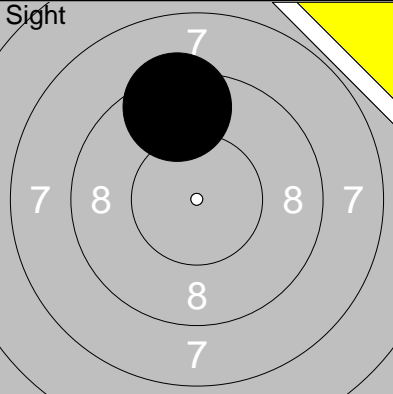
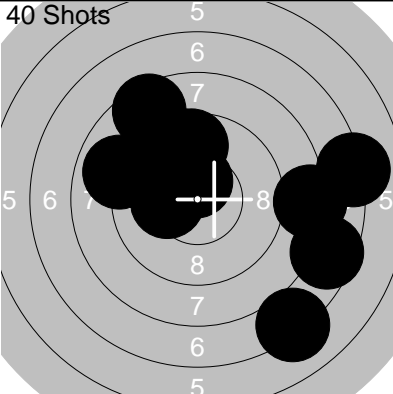
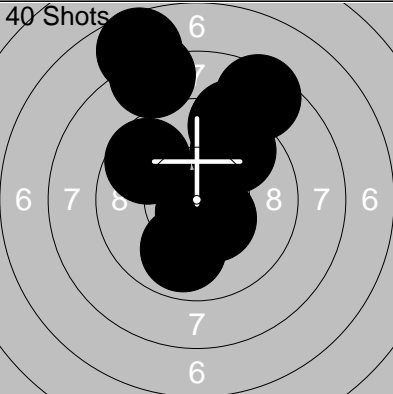
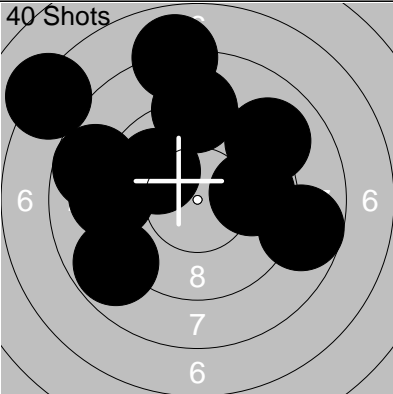
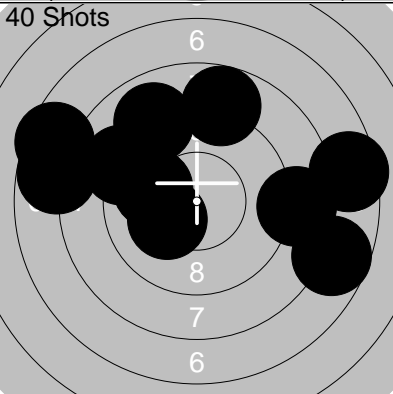
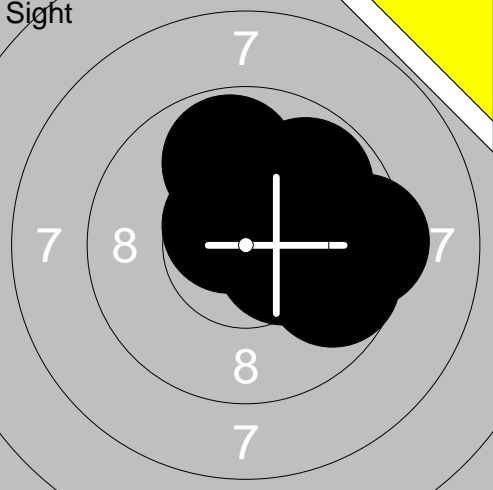

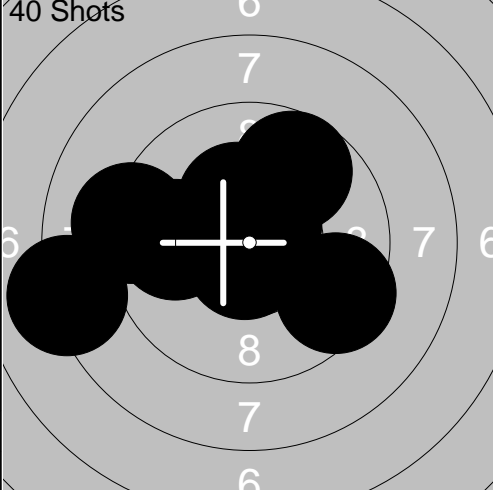

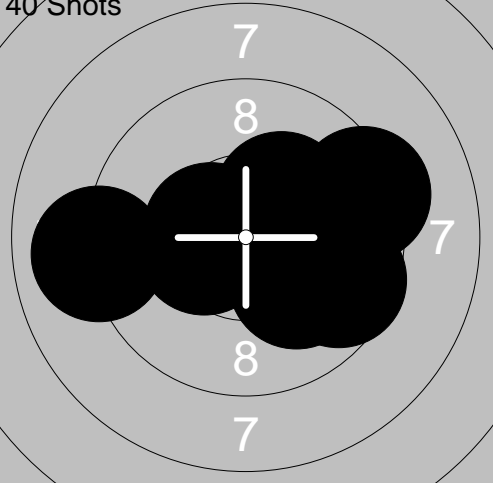
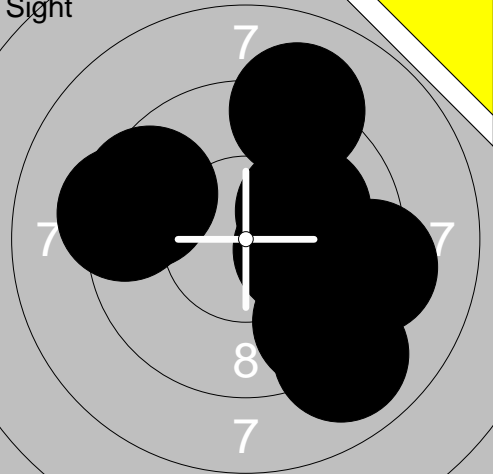
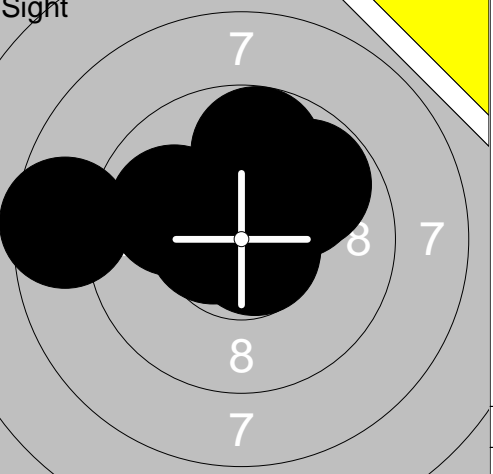
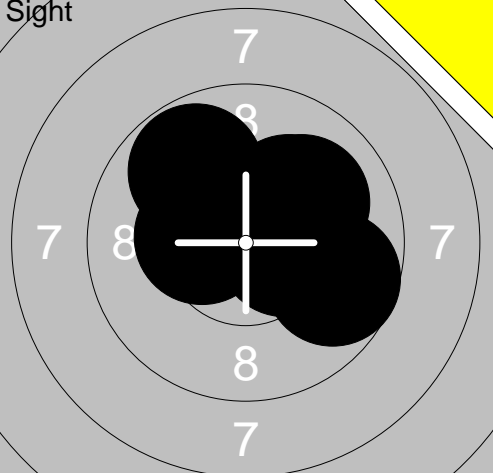

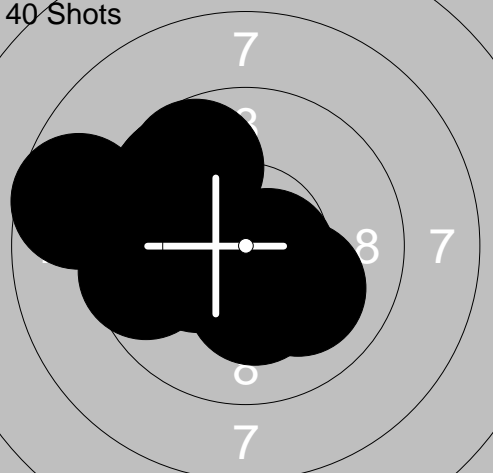
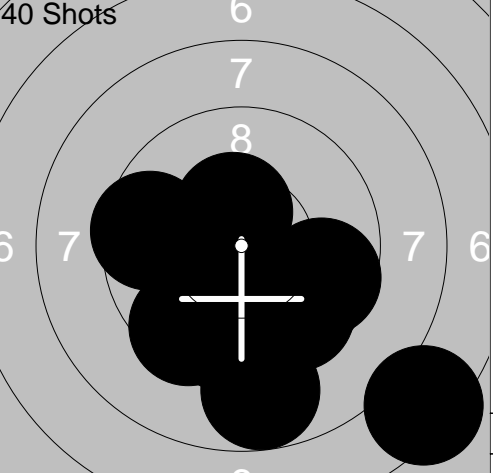


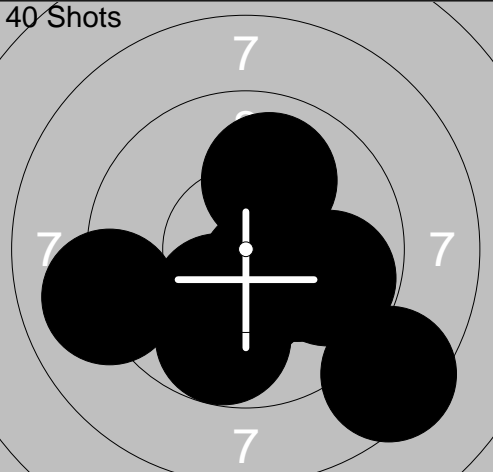
Relay	Lane	Johanna Nilsson							
10m		Ramselefors		15S	Vb				
03.11.2013		Vindelnskyttet 2013		Ramselefors SKF					
Sight		1: *10.3	↘	Sight		11: 9.6	↘		
		2: 7.1	→			12: *10.2	↘		
		3: 9.7	↘			13: *10.8	↘		
		4: *10.8	↗			14: 9.1	←		
		5: 9.2	↘			15: 9.3	←		
		6: *10.2	←			16: 10.0	↘		
		7: 8.8	↘			17: 9.4	↘		
		8: 7.7	←			18: *10.8	→		
		9: 8.8	←			19: 9.2	←		
		10: 8.4	←			20: 8.3	↑		
		Series	86.0			Series	93.0		
		Total	0.0			Total	0.0		
Sight		21: 7.9	←	Sight		31: *10.3	←		
		22: 8.2	→			32: 9.3	↘		
		23: *10.6	→			33: 9.5	↘		
		24: 9.7	↘			34: 9.2	↗		
		25: 9.3	↘			35: *10.2	↗		
		26: 7.7	↘			36: *10.2	↗		
		27: *10.4	←			37: *10.5	←		
		28: 9.4	↗			38: 9.6	↗		
		29: 9.4	↘			39: *10.6	←		
		30: 9.3	←			40: 9.4	↗		
		Series	87.0			Series	95.0		
		Total	0.0			Total	0.0		
Sight		41: 9.4	↑	40 Shots		1: 7.1	→		
								2: 7.5	↘
								3: 9.6	↑
						4: 7.1	↘		
						5: 8.2	→		
						6: *10.2	←		
						7: 8.5	↗		
						8: *10.5	↑		
						9: 8.9	←		
						10: 9.5	↑		
		Series	9.0			Series	83.0		
		Total	0.0			Total	83.0		
40 Shots		11: 8.2	↗	40 Shots		21: 9.8	→		
		12: 9.6	↗			22: 9.1	←		
		13: 9.3	↗			23: 8.7	→		
		14: 9.7	↗			24: 9.0	↗		
		15: *10.7	↘			25: 9.1	↑		
		16: 7.6	↗			26: 8.8	↘		
		17: 9.9	↘			27: 7.9	↑		
		18: 8.5	↗			28: 9.9	↗		
		19: 9.2	↗			29: 8.7	←		
		20: *10.4	↘			30: 7.2	↗		
		Series	88.0			Series	83.0		
		Total	171.0			Total	254.0		
40 Shots		31: 7.5	←						
		32: 7.5	→						
		33: *10.2	←						
		34: 7.7	↘						
		35: 9.0	↗						
		36: 7.8	←						
		37: 8.8	↑						
		38: 9.1	↗						
		39: 8.7	→						
		40: 9.9	←						
		Series	81.0						
		Total	335.0						


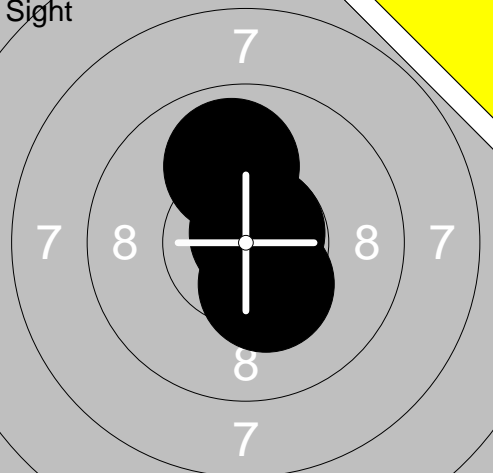
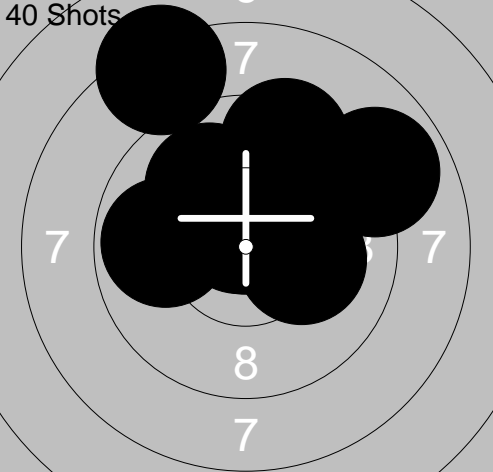
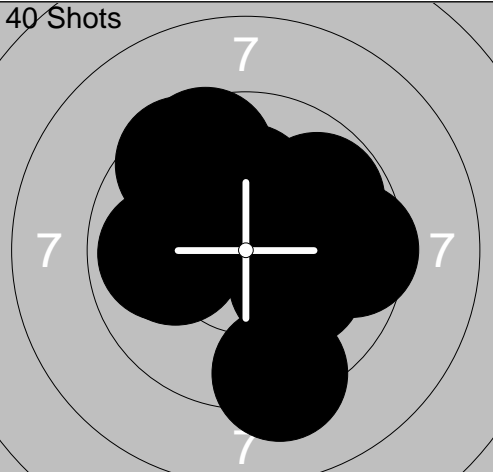
Relay	Lane	Hilde Karlsson	
1	2		
10m	Ramselefors	20	Vb
03.11.2013	Vindelnskyttet 2013	Ramselefors SKF	
Sight		1: 9.7 → 2: 9.8 ↑ 3: 9.4 → 4: *10.3 → 5: 10.1 ↗ 6: *10.3 ↑ 7: 9.8 ↗ 8: *10.4 → 9: *10.4 ↗ 10: *10.6 ↖ Series 96.0 Total 0.0	Sight
			11: *10.8 ↗ 12: 9.8 ↖ 13: 9.2 ↘ 14: *10.6 ↘ 15: *10.3 ↖ 16: 10.0 ↓ 17: 9.6 → 18: 9.1 ↘ 19: *10.6 ↖ 20: *10.3 ↘ Series 96.0 Total 0.0
Sight		21: 10.0 ↗	40 Shots
		Series 10.0 Total 0.0	 1: *10.7 ↓ 2: *10.6 ↗ 3: 8.1 ↖ 4: 9.5 ↘ 5: *10.3 ↑ 6: 9.2 ↖ 7: 9.7 ↗ 8: *10.9 ↖ 9: *10.4 ↖ 10: 9.8 ↖ Series 94.0 Total 94.0
40 Shots		11: 10.0 ↖ 12: *10.2 ↗ 13: *10.2 ↖ 14: 8.4 → 15: *10.3 ↘ 16: *10.3 → 17: *10.4 → 18: *10.8 ↗ 19: 10.0 ↖ 20: 9.9 → Series 97.0 Total 191.0	40 Shots
			21: *10.7 → 22: 8.4 ↖ 23: *10.3 ↗ 24: *10.7 ↖ 25: 9.5 → 26: *10.5 ↗ 27: 10.0 ↖ 28: *10.6 → 29: 9.7 ↖ 30: *10.8 ↘ Series 96.0 Total 287.0
40 Shots		31: 10.0 → 32: 10.1 ↘ 33: 9.3 → 34: *10.3 ↗ 35: 9.6 ↘ 36: 9.0 ↖ 37: *10.4 ↖ 38: *10.5 ↖ 39: *10.5 → 40: *10.3 → Series 97.0 Total 384.0	

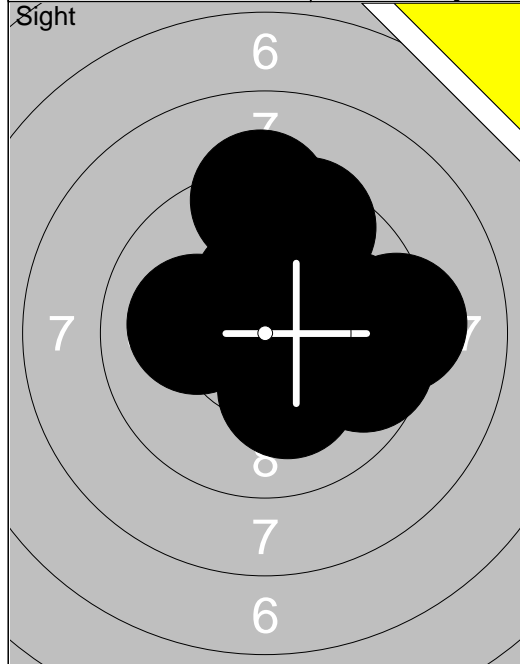
<p><b>Sight</b></p> 	<table border="1" style="width:100%; border-collapse: collapse;"> <tr><td>1:</td><td>9.5</td><td>↘</td></tr> <tr><td>2:</td><td>9.0</td><td>↘</td></tr> <tr><td>3:</td><td>9.5</td><td>↖</td></tr> <tr><td>4:</td><td>9.3</td><td>→</td></tr> <tr><td>5:</td><td>10.1</td><td>→</td></tr> <tr><td>6:</td><td>*10.2</td><td>→</td></tr> <tr><td>7:</td><td>9.5</td><td>↖</td></tr> <tr><td>8:</td><td>9.3</td><td>↖</td></tr> <tr><td>9:</td><td>9.1</td><td>↖</td></tr> <tr><td>10:</td><td>10.1</td><td>↗</td></tr> <tr><td colspan="2"><b>Series</b></td><td><b>93.0</b></td></tr> <tr><td colspan="2"><b>Total</b></td><td><b>0.0</b></td></tr> </table>	1:	9.5	↘	2:	9.0	↘	3:	9.5	↖	4:	9.3	→	5:	10.1	→	6:	*10.2	→	7:	9.5	↖	8:	9.3	↖	9:	9.1	↖	10:	10.1	↗	<b>Series</b>		<b>93.0</b>	<b>Total</b>		<b>0.0</b>	<p><b>Sight</b></p>  <table border="1" style="width:100%; border-collapse: collapse;"> <tr><td>11:</td><td>9.8</td><td>↗</td></tr> <tr><td>12:</td><td>10.0</td><td>↗</td></tr> <tr><td>13:</td><td>10.0</td><td>↖</td></tr> <tr><td>14:</td><td>*10.6</td><td>↑</td></tr> <tr><td>15:</td><td>*10.8</td><td>↖</td></tr> <tr><td>16:</td><td>8.5</td><td>↖</td></tr> <tr><td>17:</td><td>9.7</td><td>↑</td></tr> <tr><td>18:</td><td>*10.5</td><td>↑</td></tr> <tr><td>19:</td><td>*10.6</td><td>↖</td></tr> <tr><td>20:</td><td>*10.7</td><td>↘</td></tr> <tr><td colspan="2"><b>Series</b></td><td><b>96.0</b></td></tr> <tr><td colspan="2"><b>Total</b></td><td><b>0.0</b></td></tr> </table>	11:	9.8	↗	12:	10.0	↗	13:	10.0	↖	14:	*10.6	↑	15:	*10.8	↖	16:	8.5	↖	17:	9.7	↑	18:	*10.5	↑	19:	*10.6	↖	20:	*10.7	↘	<b>Series</b>		<b>96.0</b>	<b>Total</b>		<b>0.0</b>
1:	9.5	↘																																																																								
2:	9.0	↘																																																																								
3:	9.5	↖																																																																								
4:	9.3	→																																																																								
5:	10.1	→																																																																								
6:	*10.2	→																																																																								
7:	9.5	↖																																																																								
8:	9.3	↖																																																																								
9:	9.1	↖																																																																								
10:	10.1	↗																																																																								
<b>Series</b>		<b>93.0</b>																																																																								
<b>Total</b>		<b>0.0</b>																																																																								
11:	9.8	↗																																																																								
12:	10.0	↗																																																																								
13:	10.0	↖																																																																								
14:	*10.6	↑																																																																								
15:	*10.8	↖																																																																								
16:	8.5	↖																																																																								
17:	9.7	↑																																																																								
18:	*10.5	↑																																																																								
19:	*10.6	↖																																																																								
20:	*10.7	↘																																																																								
<b>Series</b>		<b>96.0</b>																																																																								
<b>Total</b>		<b>0.0</b>																																																																								

<p><b>Sight</b></p>  <table border="1" style="width:100%; border-collapse: collapse;"> <tr><td>21:</td><td>*10.4</td><td>→</td></tr> <tr><td>22:</td><td>9.7</td><td>→</td></tr> <tr><td>23:</td><td>9.8</td><td>↗</td></tr> <tr><td>24:</td><td>*10.2</td><td>↗</td></tr> <tr><td>25:</td><td>10.0</td><td>↗</td></tr> <tr><td>26:</td><td>*10.4</td><td>↖</td></tr> <tr><td colspan="2"><b>Series</b></td><td><b>58.0</b></td></tr> <tr><td colspan="2"><b>Total</b></td><td><b>0.0</b></td></tr> </table>	21:	*10.4	→	22:	9.7	→	23:	9.8	↗	24:	*10.2	↗	25:	10.0	↗	26:	*10.4	↖	<b>Series</b>		<b>58.0</b>	<b>Total</b>		<b>0.0</b>	<p><b>40 Shots</b></p>  <table border="1" style="width:100%; border-collapse: collapse;"> <tr><td>1:</td><td>10.0</td><td>↑</td></tr> <tr><td>2:</td><td>10.1</td><td>↘</td></tr> <tr><td>3:</td><td>*10.7</td><td>↑</td></tr> <tr><td>4:</td><td>10.1</td><td>↘</td></tr> <tr><td>5:</td><td>9.5</td><td>↖</td></tr> <tr><td>6:</td><td>9.6</td><td>→</td></tr> <tr><td>7:</td><td>9.9</td><td>↖</td></tr> <tr><td>8:</td><td>*10.3</td><td>↖</td></tr> <tr><td>9:</td><td>9.5</td><td>→</td></tr> <tr><td>10:</td><td>*10.6</td><td>↗</td></tr> <tr><td colspan="2"><b>Series</b></td><td><b>96.0</b></td></tr> <tr><td colspan="2"><b>Total</b></td><td><b>96.0</b></td></tr> </table>	1:	10.0	↑	2:	10.1	↘	3:	*10.7	↑	4:	10.1	↘	5:	9.5	↖	6:	9.6	→	7:	9.9	↖	8:	*10.3	↖	9:	9.5	→	10:	*10.6	↗	<b>Series</b>		<b>96.0</b>	<b>Total</b>		<b>96.0</b>
21:	*10.4	→																																																											
22:	9.7	→																																																											
23:	9.8	↗																																																											
24:	*10.2	↗																																																											
25:	10.0	↗																																																											
26:	*10.4	↖																																																											
<b>Series</b>		<b>58.0</b>																																																											
<b>Total</b>		<b>0.0</b>																																																											
1:	10.0	↑																																																											
2:	10.1	↘																																																											
3:	*10.7	↑																																																											
4:	10.1	↘																																																											
5:	9.5	↖																																																											
6:	9.6	→																																																											
7:	9.9	↖																																																											
8:	*10.3	↖																																																											
9:	9.5	→																																																											
10:	*10.6	↗																																																											
<b>Series</b>		<b>96.0</b>																																																											
<b>Total</b>		<b>96.0</b>																																																											

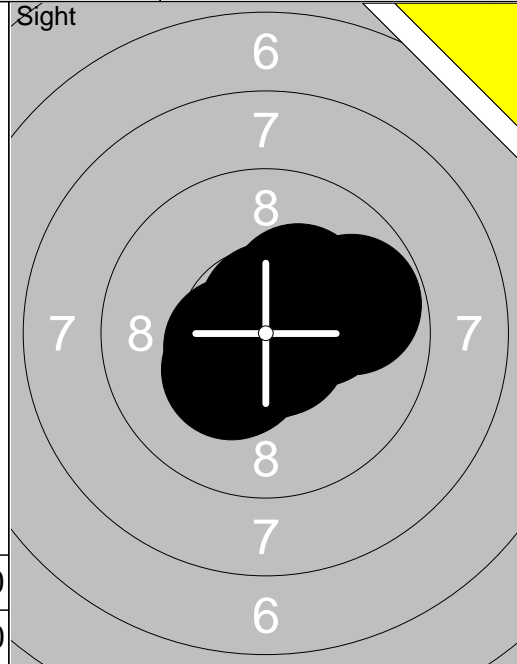
<p><b>40 Shots</b></p>  <table border="1" style="width:100%; border-collapse: collapse;"> <tr><td>11:</td><td>*10.3</td><td>↖</td></tr> <tr><td>12:</td><td>*10.4</td><td>↖</td></tr> <tr><td>13:</td><td>9.5</td><td>↖</td></tr> <tr><td>14:</td><td>*10.6</td><td>↘</td></tr> <tr><td>15:</td><td>9.7</td><td>↗</td></tr> <tr><td>16:</td><td>*10.3</td><td>↘</td></tr> <tr><td>17:</td><td>8.7</td><td>↖</td></tr> <tr><td>18:</td><td>9.7</td><td>↗</td></tr> <tr><td>19:</td><td>9.6</td><td>↖</td></tr> <tr><td>20:</td><td>10.1</td><td>↘</td></tr> <tr><td colspan="2"><b>Series</b></td><td><b>94.0</b></td></tr> <tr><td colspan="2"><b>Total</b></td><td><b>190.0</b></td></tr> </table>	11:	*10.3	↖	12:	*10.4	↖	13:	9.5	↖	14:	*10.6	↘	15:	9.7	↗	16:	*10.3	↘	17:	8.7	↖	18:	9.7	↗	19:	9.6	↖	20:	10.1	↘	<b>Series</b>		<b>94.0</b>	<b>Total</b>		<b>190.0</b>	<p><b>40 Shots</b></p>  <table border="1" style="width:100%; border-collapse: collapse;"> <tr><td>21:</td><td>7.3</td><td>↘</td></tr> <tr><td>22:</td><td>9.7</td><td>↘</td></tr> <tr><td>23:</td><td>*10.4</td><td>↑</td></tr> <tr><td>24:</td><td>9.5</td><td>↖</td></tr> <tr><td>25:</td><td>9.6</td><td>→</td></tr> <tr><td>26:</td><td>*10.3</td><td>↘</td></tr> <tr><td>27:</td><td>*10.5</td><td>↘</td></tr> <tr><td>28:</td><td>9.6</td><td>↘</td></tr> <tr><td>29:</td><td>9.5</td><td>↘</td></tr> <tr><td>30:</td><td>8.8</td><td>↘</td></tr> <tr><td colspan="2"><b>Series</b></td><td><b>90.0</b></td></tr> <tr><td colspan="2"><b>Total</b></td><td><b>280.0</b></td></tr> </table>	21:	7.3	↘	22:	9.7	↘	23:	*10.4	↑	24:	9.5	↖	25:	9.6	→	26:	*10.3	↘	27:	*10.5	↘	28:	9.6	↘	29:	9.5	↘	30:	8.8	↘	<b>Series</b>		<b>90.0</b>	<b>Total</b>		<b>280.0</b>
11:	*10.3	↖																																																																							
12:	*10.4	↖																																																																							
13:	9.5	↖																																																																							
14:	*10.6	↘																																																																							
15:	9.7	↗																																																																							
16:	*10.3	↘																																																																							
17:	8.7	↖																																																																							
18:	9.7	↗																																																																							
19:	9.6	↖																																																																							
20:	10.1	↘																																																																							
<b>Series</b>		<b>94.0</b>																																																																							
<b>Total</b>		<b>190.0</b>																																																																							
21:	7.3	↘																																																																							
22:	9.7	↘																																																																							
23:	*10.4	↑																																																																							
24:	9.5	↖																																																																							
25:	9.6	→																																																																							
26:	*10.3	↘																																																																							
27:	*10.5	↘																																																																							
28:	9.6	↘																																																																							
29:	9.5	↘																																																																							
30:	8.8	↘																																																																							
<b>Series</b>		<b>90.0</b>																																																																							
<b>Total</b>		<b>280.0</b>																																																																							

<p><b>40 Shots</b></p>  <table border="1" style="width:100%; border-collapse: collapse;"> <tr><td>31:</td><td>8.4</td><td>↘</td></tr> <tr><td>32:</td><td>*10.2</td><td>↘</td></tr> <tr><td>33:</td><td>*10.4</td><td>↘</td></tr> <tr><td>34:</td><td>*10.5</td><td>↘</td></tr> <tr><td>35:</td><td>9.0</td><td>↖</td></tr> <tr><td>36:</td><td>*10.5</td><td>↘</td></tr> <tr><td>37:</td><td>9.7</td><td>↘</td></tr> <tr><td>38:</td><td>10.0</td><td>↗</td></tr> <tr><td>39:</td><td>9.8</td><td>→</td></tr> <tr><td>40:</td><td>*10.2</td><td>↘</td></tr> <tr><td colspan="2"><b>Series</b></td><td><b>95.0</b></td></tr> <tr><td colspan="2"><b>Total</b></td><td><b>375.0</b></td></tr> </table>	31:	8.4	↘	32:	*10.2	↘	33:	*10.4	↘	34:	*10.5	↘	35:	9.0	↖	36:	*10.5	↘	37:	9.7	↘	38:	10.0	↗	39:	9.8	→	40:	*10.2	↘	<b>Series</b>		<b>95.0</b>	<b>Total</b>		<b>375.0</b>	
31:	8.4	↘																																			
32:	*10.2	↘																																			
33:	*10.4	↘																																			
34:	*10.5	↘																																			
35:	9.0	↖																																			
36:	*10.5	↘																																			
37:	9.7	↘																																			
38:	10.0	↗																																			
39:	9.8	→																																			
40:	*10.2	↘																																			
<b>Series</b>		<b>95.0</b>																																			
<b>Total</b>		<b>375.0</b>																																			

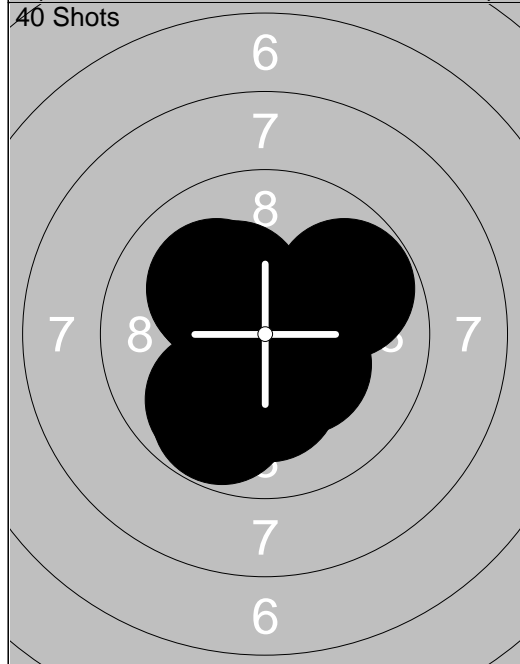
Relay	Lane	Marlene Forsell	
10m		Ramselefors	Sen Vb
03.11.2013		Vindelnskyttet 2013	Ramselefors SKF
Sight		1: 9.0 ← 2: 9.4 ← 3: *10.5 ↓ 4: *10.3 ↗ 5: 10.1 ↘ 6: 9.2 ↓ 7: 9.7 ↓ 8: *10.7 ↗ 9: 9.8 ↗ 10: 8.5 →	11: 9.1 ↙ 12: 9.1 ↙ 13: 10.1 ↓ 14: 9.3 → 15: *10.2 ↓ 16: 9.5 ← 17: 9.2 ↙ 18: 8.9 ↗ 19: *10.6 ↙ 20: 9.7 ←
		Series 93.0	Series 92.0
		Total 0.0	Total 0.0
Sight		21: *10.3 ↓ 22: 9.9 ↑ 23: *10.7 ↗	40 Shots
		Series 29.0	1: *10.5 → 2: 9.2 ↑ 3: 9.6 ↑ 4: *10.6 ↗ 5: *10.4 ↓ 6: 10.0 ↓ 7: 9.6 ← 8: 9.3 ← 9: 9.7 ↓ 10: *10.2 ↗
		Total 0.0	Series 95.0
			Total 95.0
40 Shots		11: 9.8 ← 12: 9.9 ↑ 13: *10.2 ↗ 14: *10.7 ↑ 15: 10.0 ↗ 16: 8.2 ↗ 17: *10.2 → 18: *10.7 ↗ 19: 8.9 ↗ 20: 9.4 ↑	40 Shots
		Series 93.0	21: 10.0 ↗ 22: 9.3 ↑ 23: 10.0 ↑ 24: 10.1 ↗ 25: 9.8 → 26: *10.2 ← 27: 9.5 ↓ 28: *10.3 ↑ 29: *10.4 ↓ 30: 9.8 →
		Total 188.0	Series 96.0
			Total 284.0
40 Shots		31: *10.2 ↑ 32: 9.6 → 33: *10.5 → 34: 9.9 ← 35: 9.5 ↗ 36: 9.6 ↗ 37: 9.8 ↗ 38: 9.3 ↓ 39: 10.0 ← 40: *10.2 ↓	
		Series 94.0	
		Total 378.0	



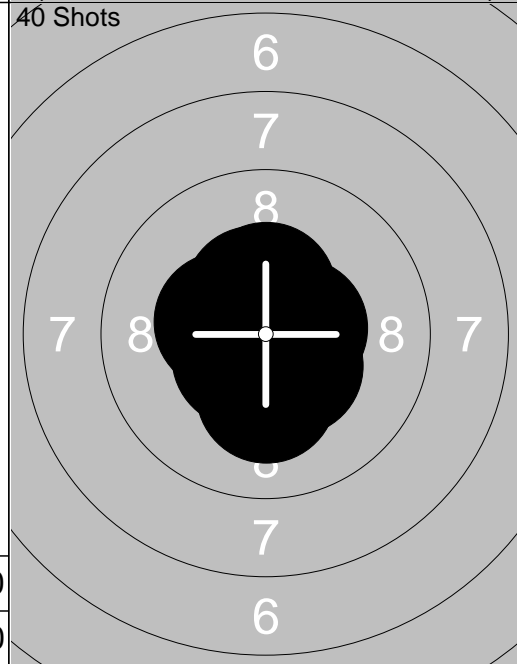
1:	9.5	↗
2:	9.2	↑
3:	*10.2	↘
4:	9.3	→
5:	9.9	→
6:	10.1	←
7:	*10.5	→
8:	*10.2	↗
9:	9.6	→
10:	*10.4	↑
Series	95.0	
Total	0.0	



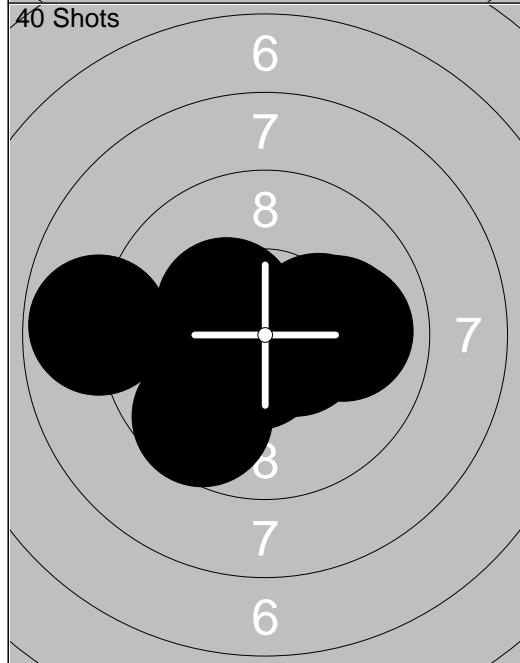
11:	*10.3	↘
12:	*10.6	↗
13:	*10.3	↗
14:	9.8	→
15:	*10.3	→
16:	*10.5	↘
17:	*10.7	↗
18:	*10.4	↘
19:	*10.7	↑
20:	*10.7	↘
Series	99.0	
Total	0.0	



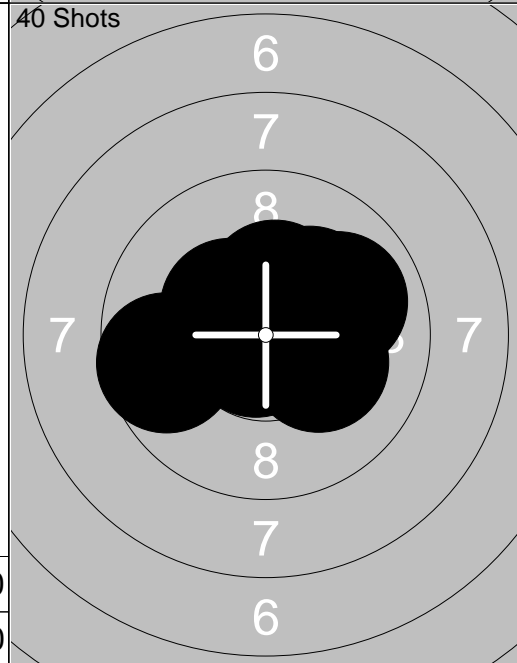
1:	9.8	↗
2:	*10.2	↘
3:	*10.3	↘
4:	*10.2	↘
5:	*10.3	↘
6:	9.8	↘
7:	10.1	↘
8:	*10.6	↘
9:	*10.7	↗
10:	9.9	↘
Series	97.0	
Total	97.0	



11:	*10.5	↘
12:	*10.2	↘
13:	*10.8	→
14:	*10.9	↘
15:	*10.5	→
16:	*10.7	↘
17:	*10.4	↗
18:	*10.4	↘
19:	*10.4	↘
20:	*10.4	↑
Series	100.0	
Total	197.0	



21:	*10.4	↘
22:	*10.6	→
23:	*10.2	→
24:	8.8	←
25:	10.0	→
26:	*10.6	↘
27:	*10.3	↘
28:	10.1	→
29:	9.6	↘
30:	*10.4	↘
Series	97.0	
Total	294.0	

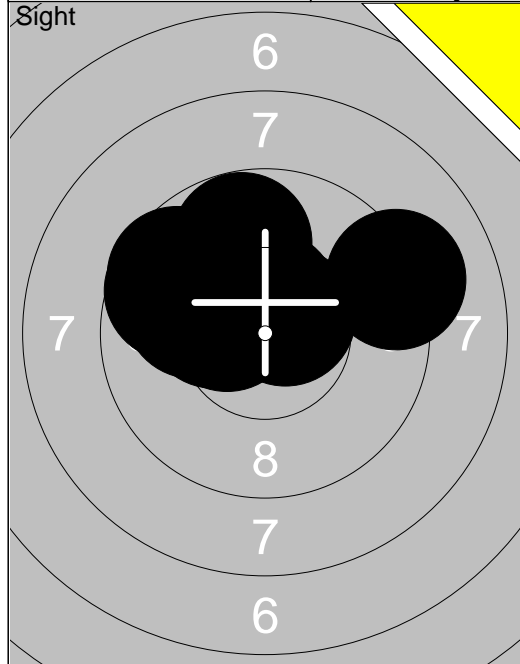


31:	*10.4	↘
32:	*10.2	↗
33:	*10.5	→
34:	*10.2	↘
35:	*10.8	↘
36:	9.6	←
37:	*10.4	↗
38:	*10.5	↗
39:	9.9	→
40:	*10.7	↘
Series	98.0	
Total	392.0	

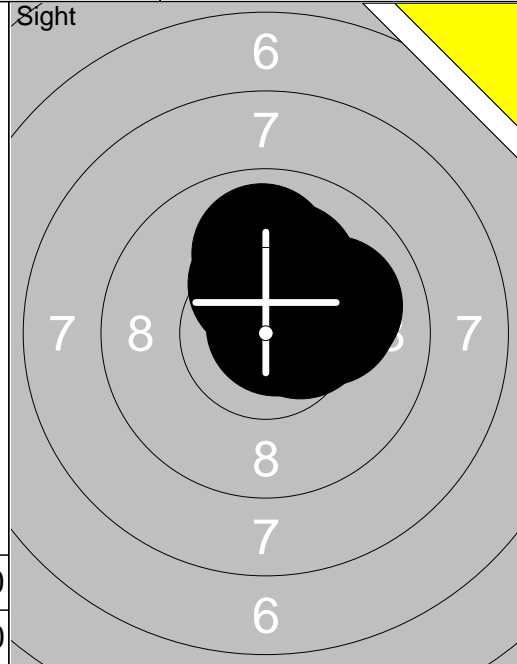
Relay <b>1</b>	Lane <b>6</b>	<b>Hanna Karlsson</b>			
-------------------	------------------	-----------------------	--	--	--

10m	Ramselefors	20	Vb
-----	-------------	----	----

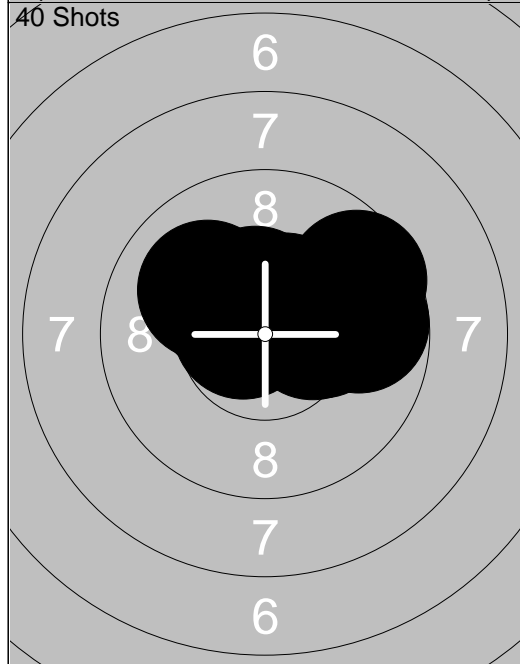
03.11.2013	Vindelnskyttet 2013	Ramselefors SKF
------------	---------------------	-----------------



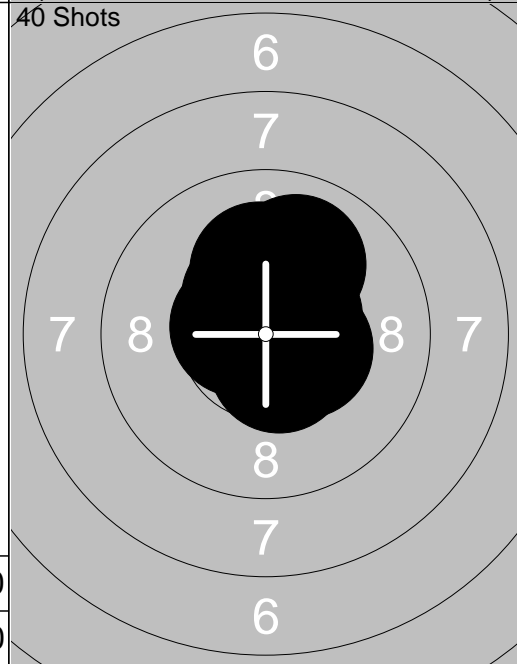
1: 9.8 ↑
2: *10.5 ↑
3: *10.6 ↗
4: 9.6 ↖
5: 10.1 ↖
6: 9.7 ↖
7: *10.3 ↙
8: *10.4 ↙
9: 10.0 ↙
10: 9.1 →
Series 96.0
Total 0.0



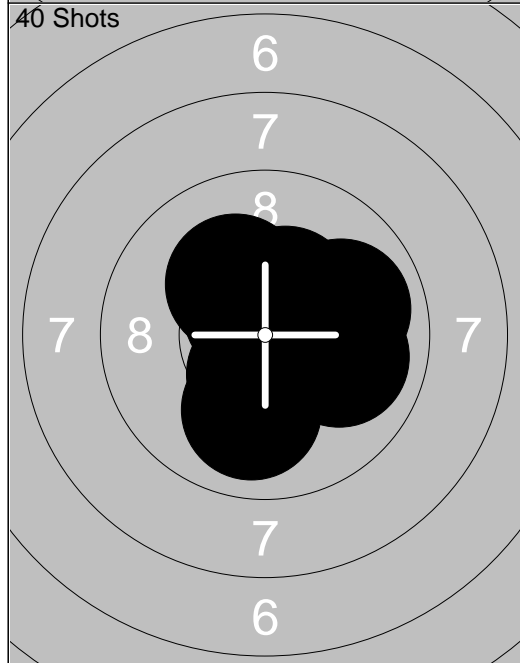
11: *10.5 →
12: 10.1 →
13: *10.8 ↗
14: *10.5 ↑
15: *10.6 ↗
16: 9.9 ↑
17: 10.0 →
18: *10.2 ↑
19: 10.1 ↑
20: *10.3 ↑
Series 99.0
Total 0.0



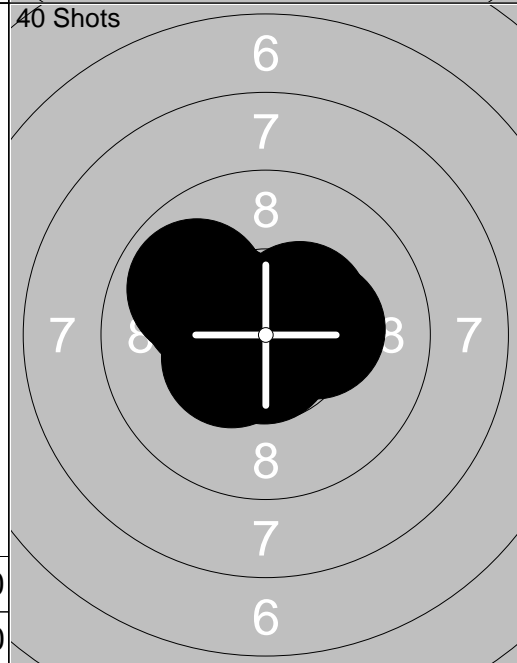
1: *10.5 ↑
2: 10.0 ↖
3: *10.3 ↙
4: *10.7 ↖
5: *10.5 ↑
6: *10.3 →
7: 9.7 →
8: *10.4 ↗
9: *10.2 →
10: 9.6 →
Series 98.0
Total 98.0



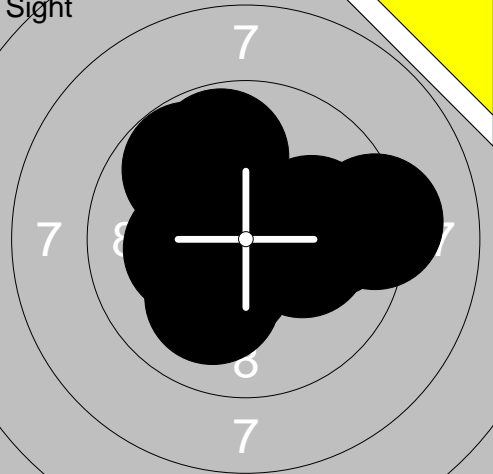
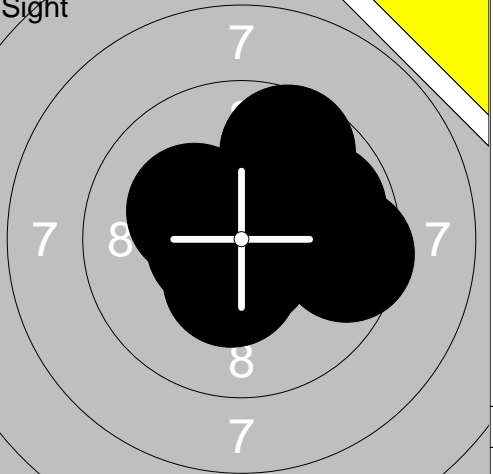
11: *10.3 ↑
12: *10.5 ↓
13: *10.6 ↙
14: 10.0 ↑
15: *10.4 ↑
16: *10.5 ↗
17: *10.3 ↑
18: *10.5 ↖
19: *10.4 →
20: *10.2 ↑
Series 100.0
Total 198.0







21: 10.1 →
22: *10.8 →
23: 10.0 ↓
24: *10.5 ↑
25: 9.9 →
26: *10.2 ↖
27: 10.0 →
28: *10.4 ↓
29: *10.6 ↖
30: *10.4 ↑
Series 99.0
Total 297.0

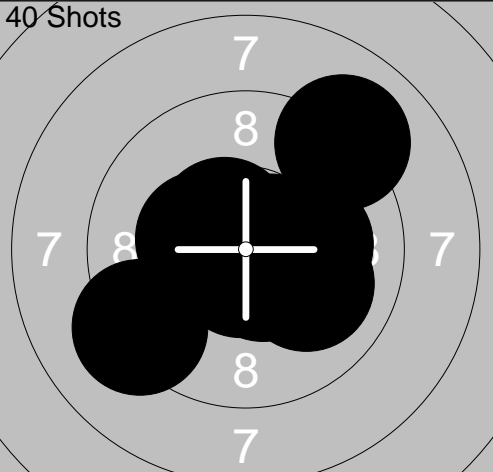


31: *10.4 ↗
32: *10.4 ↙
33: *10.6 →
34: *10.7 ↓
35: *10.8 ↖
36: *10.7 ↗
37: *10.2 ↙
38: 9.9 ↖
39: *10.3 →
40: *10.4 ↙
Series 99.0
Total 396.0


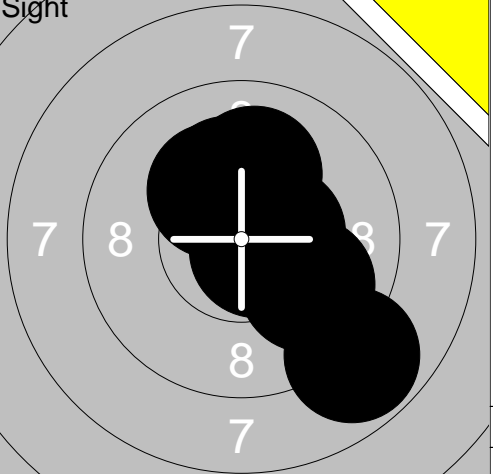
<p>Sight</p> 	<table border="1" style="width:100%; border-collapse: collapse;"> <tr><td>1:</td><td>9.8</td><td>↗</td></tr> <tr><td>2:</td><td>9.2</td><td>→</td></tr> <tr><td>3:</td><td>10.1</td><td>↘</td></tr> <tr><td>4:</td><td>*10.2</td><td>→</td></tr> <tr><td>5:</td><td>9.8</td><td>→</td></tr> <tr><td>6:</td><td>10.1</td><td>→</td></tr> <tr><td>7:</td><td>*10.4</td><td>↘</td></tr> <tr><td>8:</td><td>*10.2</td><td>←</td></tr> <tr><td>9:</td><td>*10.3</td><td>→</td></tr> <tr><td>10:</td><td>9.8</td><td>↗</td></tr> <tr><td colspan="2">Series</td><td>96.0</td></tr> <tr><td colspan="2">Total</td><td>0.0</td></tr> </table>	1:	9.8	↗	2:	9.2	→	3:	10.1	↘	4:	*10.2	→	5:	9.8	→	6:	10.1	→	7:	*10.4	↘	8:	*10.2	←	9:	*10.3	→	10:	9.8	↗	Series		96.0	Total		0.0	<p>Sight</p>  <table border="1" style="width:100%; border-collapse: collapse;"> <tr><td>11:</td><td>10.0</td><td>↗</td></tr> <tr><td>12:</td><td>*10.6</td><td>←</td></tr> <tr><td>13:</td><td>*10.2</td><td>↖</td></tr> <tr><td>14:</td><td>*10.4</td><td>↘</td></tr> <tr><td>15:</td><td>9.9</td><td>→</td></tr> <tr><td>16:</td><td>*10.4</td><td>↖</td></tr> <tr><td>17:</td><td>9.7</td><td>↗</td></tr> <tr><td>18:</td><td>9.5</td><td>→</td></tr> <tr><td>19:</td><td>9.8</td><td>↗</td></tr> <tr><td>20:</td><td>*10.7</td><td>↘</td></tr> <tr><td colspan="2">Series</td><td>96.0</td></tr> <tr><td colspan="2">Total</td><td>0.0</td></tr> </table>	11:	10.0	↗	12:	*10.6	←	13:	*10.2	↖	14:	*10.4	↘	15:	9.9	→	16:	*10.4	↖	17:	9.7	↗	18:	9.5	→	19:	9.8	↗	20:	*10.7	↘	Series		96.0	Total		0.0
1:	9.8	↗																																																																								
2:	9.2	→																																																																								
3:	10.1	↘																																																																								
4:	*10.2	→																																																																								
5:	9.8	→																																																																								
6:	10.1	→																																																																								
7:	*10.4	↘																																																																								
8:	*10.2	←																																																																								
9:	*10.3	→																																																																								
10:	9.8	↗																																																																								
Series		96.0																																																																								
Total		0.0																																																																								
11:	10.0	↗																																																																								
12:	*10.6	←																																																																								
13:	*10.2	↖																																																																								
14:	*10.4	↘																																																																								
15:	9.9	→																																																																								
16:	*10.4	↖																																																																								
17:	9.7	↗																																																																								
18:	9.5	→																																																																								
19:	9.8	↗																																																																								
20:	*10.7	↘																																																																								
Series		96.0																																																																								
Total		0.0																																																																								

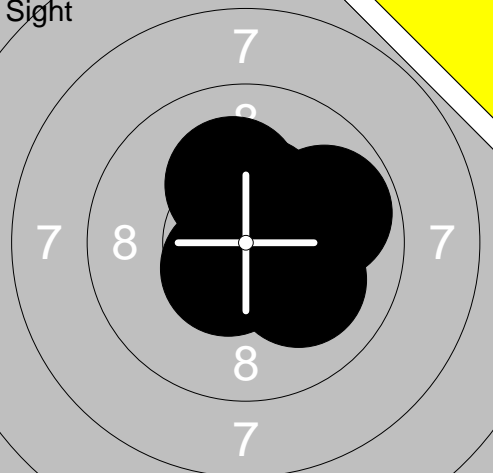
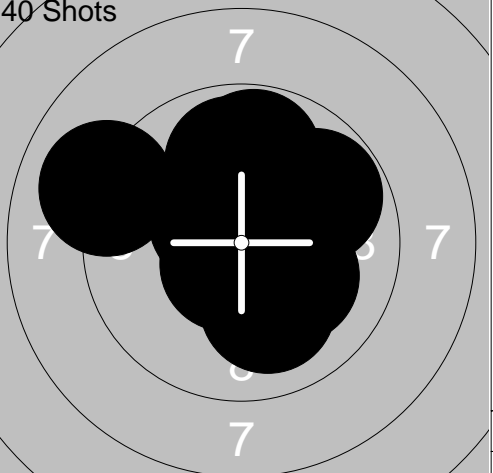
<p>Sight</p>  <table border="1" style="width:100%; border-collapse: collapse;"> <tr><td>21:</td><td>*10.7</td><td>→</td></tr> <tr><td>22:</td><td>*10.6</td><td>↗</td></tr> <tr><td>23:</td><td>*10.2</td><td>↗</td></tr> <tr><td colspan="2">Series</td><td>30.0</td></tr> <tr><td colspan="2">Total</td><td>0.0</td></tr> </table>	21:	*10.7	→	22:	*10.6	↗	23:	*10.2	↗	Series		30.0	Total		0.0	<p>40 Shots</p>  <table border="1" style="width:100%; border-collapse: collapse;"> <tr><td>1:</td><td>9.7</td><td>↖</td></tr> <tr><td>2:</td><td>9.3</td><td>↖</td></tr> <tr><td>3:</td><td>*10.5</td><td>→</td></tr> <tr><td>4:</td><td>9.7</td><td>↘</td></tr> <tr><td>5:</td><td>*10.7</td><td>←</td></tr> <tr><td>6:</td><td>*10.9</td><td>↘</td></tr> <tr><td>7:</td><td>*10.8</td><td>↗</td></tr> <tr><td>8:</td><td>10.1</td><td>↘</td></tr> <tr><td>9:</td><td>10.0</td><td>→</td></tr> <tr><td>10:</td><td>*10.6</td><td>↘</td></tr> <tr><td colspan="2">Series</td><td>97.0</td></tr> <tr><td colspan="2">Total</td><td>97.0</td></tr> </table>	1:	9.7	↖	2:	9.3	↖	3:	*10.5	→	4:	9.7	↘	5:	*10.7	←	6:	*10.9	↘	7:	*10.8	↗	8:	10.1	↘	9:	10.0	→	10:	*10.6	↘	Series		97.0	Total		97.0
21:	*10.7	→																																																		
22:	*10.6	↗																																																		
23:	*10.2	↗																																																		
Series		30.0																																																		
Total		0.0																																																		
1:	9.7	↖																																																		
2:	9.3	↖																																																		
3:	*10.5	→																																																		
4:	9.7	↘																																																		
5:	*10.7	←																																																		
6:	*10.9	↘																																																		
7:	*10.8	↗																																																		
8:	10.1	↘																																																		
9:	10.0	→																																																		
10:	*10.6	↘																																																		
Series		97.0																																																		
Total		97.0																																																		



<p>40 Shots</p>  <table border="1" style="width:100%; border-collapse: collapse;"> <tr><td>11:</td><td>*10.2</td><td>↗</td></tr> <tr><td>12:</td><td>*10.5</td><td>↘</td></tr> <tr><td>13:</td><td>9.9</td><td>↗</td></tr> <tr><td>14:</td><td>*10.5</td><td>↘</td></tr> <tr><td>15:</td><td>*10.7</td><td>↘</td></tr> <tr><td>16:</td><td>9.9</td><td>↗</td></tr> <tr><td>17:</td><td>*10.6</td><td>→</td></tr> <tr><td>18:</td><td>*10.4</td><td>→</td></tr> <tr><td>19:</td><td>*10.4</td><td>↗</td></tr> <tr><td>20:</td><td>*10.7</td><td>→</td></tr> <tr><td colspan="2">Series</td><td>98.0</td></tr> <tr><td colspan="2">Total</td><td>195.0</td></tr> </table>	11:	*10.2	↗	12:	*10.5	↘	13:	9.9	↗	14:	*10.5	↘	15:	*10.7	↘	16:	9.9	↗	17:	*10.6	→	18:	*10.4	→	19:	*10.4	↗	20:	*10.7	→	Series		98.0	Total		195.0	<p>40 Shots</p>  <table border="1" style="width:100%; border-collapse: collapse;"> <tr><td>21:</td><td>*10.4</td><td>↖</td></tr> <tr><td>22:</td><td>*10.4</td><td>↗</td></tr> <tr><td>23:</td><td>*10.4</td><td>↗</td></tr> <tr><td>24:</td><td>*10.4</td><td>↖</td></tr> <tr><td>25:</td><td>*10.3</td><td>↘</td></tr> <tr><td>26:</td><td>*10.3</td><td>↗</td></tr> <tr><td>27:</td><td>8.8</td><td>→</td></tr> <tr><td>28:</td><td>*10.3</td><td>↘</td></tr> <tr><td>29:</td><td>*10.3</td><td>↘</td></tr> <tr><td>30:</td><td>*10.5</td><td>↗</td></tr> <tr><td colspan="2">Series</td><td>98.0</td></tr> <tr><td colspan="2">Total</td><td>293.0</td></tr> </table>	21:	*10.4	↖	22:	*10.4	↗	23:	*10.4	↗	24:	*10.4	↖	25:	*10.3	↘	26:	*10.3	↗	27:	8.8	→	28:	*10.3	↘	29:	*10.3	↘	30:	*10.5	↗	Series		98.0	Total		293.0
11:	*10.2	↗																																																																							
12:	*10.5	↘																																																																							
13:	9.9	↗																																																																							
14:	*10.5	↘																																																																							
15:	*10.7	↘																																																																							
16:	9.9	↗																																																																							
17:	*10.6	→																																																																							
18:	*10.4	→																																																																							
19:	*10.4	↗																																																																							
20:	*10.7	→																																																																							
Series		98.0																																																																							
Total		195.0																																																																							
21:	*10.4	↖																																																																							
22:	*10.4	↗																																																																							
23:	*10.4	↗																																																																							
24:	*10.4	↖																																																																							
25:	*10.3	↘																																																																							
26:	*10.3	↗																																																																							
27:	8.8	→																																																																							
28:	*10.3	↘																																																																							
29:	*10.3	↘																																																																							
30:	*10.5	↗																																																																							
Series		98.0																																																																							
Total		293.0																																																																							

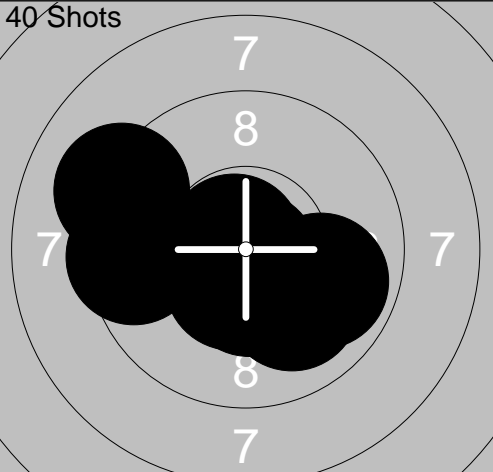
<p>40 Shots</p>  <table border="1" style="width:100%; border-collapse: collapse;"> <tr><td>31:</td><td>9.0</td><td>↗</td></tr> <tr><td>32:</td><td>*10.5</td><td>↗</td></tr> <tr><td>33:</td><td>*10.4</td><td>←</td></tr> <tr><td>34:</td><td>9.2</td><td>↘</td></tr> <tr><td>35:</td><td>10.0</td><td>↘</td></tr> <tr><td>36:</td><td>*10.6</td><td>↘</td></tr> <tr><td>37:</td><td>*10.7</td><td>↘</td></tr> <tr><td>38:</td><td>*10.2</td><td>→</td></tr> <tr><td>39:</td><td>*10.6</td><td>→</td></tr> <tr><td>40:</td><td>*10.7</td><td>←</td></tr> <tr><td colspan="2">Series</td><td>98.0</td></tr> <tr><td colspan="2">Total</td><td>391.0</td></tr> </table>	31:	9.0	↗	32:	*10.5	↗	33:	*10.4	←	34:	9.2	↘	35:	10.0	↘	36:	*10.6	↘	37:	*10.7	↘	38:	*10.2	→	39:	*10.6	→	40:	*10.7	←	Series		98.0	Total		391.0	
31:	9.0	↗																																			
32:	*10.5	↗																																			
33:	*10.4	←																																			
34:	9.2	↘																																			
35:	10.0	↘																																			
36:	*10.6	↘																																			
37:	*10.7	↘																																			
38:	*10.2	→																																			
39:	*10.6	→																																			
40:	*10.7	←																																			
Series		98.0																																			
Total		391.0																																			



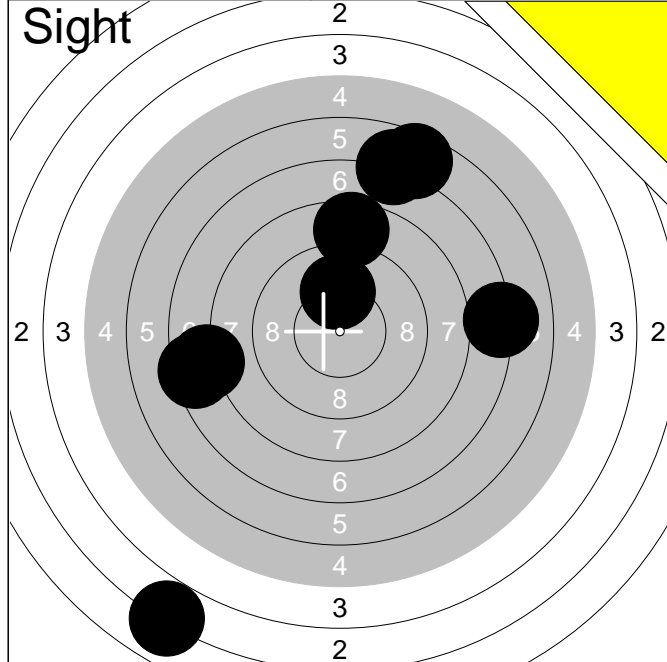
<p>Sight</p> 	<table border="1" style="width:100%; border-collapse: collapse;"> <tr><td>1:</td><td>9.5</td><td>↗</td></tr> <tr><td>2:</td><td>8.9</td><td>↑</td></tr> <tr><td>3:</td><td>10.0</td><td>↑</td></tr> <tr><td>4:</td><td>9.8</td><td>→</td></tr> <tr><td>5:</td><td>8.9</td><td>→</td></tr> <tr><td>6:</td><td>10.0</td><td>↘</td></tr> <tr><td>7:</td><td>*10.9</td><td>↓</td></tr> <tr><td>8:</td><td>9.6</td><td>↗</td></tr> <tr><td>9:</td><td>*10.4</td><td>↑</td></tr> <tr><td>10:</td><td>9.9</td><td>→</td></tr> <tr><td colspan="2">Series</td><td>92.0</td></tr> <tr><td colspan="2">Total</td><td>0.0</td></tr> </table>	1:	9.5	↗	2:	8.9	↑	3:	10.0	↑	4:	9.8	→	5:	8.9	→	6:	10.0	↘	7:	*10.9	↓	8:	9.6	↗	9:	*10.4	↑	10:	9.9	→	Series		92.0	Total		0.0	<p>Sight</p>  <table border="1" style="width:100%; border-collapse: collapse;"> <tr><td>11:</td><td>*10.4</td><td>↑</td></tr> <tr><td>12:</td><td>*10.5</td><td>↑</td></tr> <tr><td>13:</td><td>*10.5</td><td>→</td></tr> <tr><td>14:</td><td>10.1</td><td>↑</td></tr> <tr><td>15:</td><td>9.9</td><td>↘</td></tr> <tr><td>16:</td><td>*10.2</td><td>↑</td></tr> <tr><td>17:</td><td>8.8</td><td>↘</td></tr> <tr><td>18:</td><td>*10.2</td><td>↑</td></tr> <tr><td>19:</td><td>*10.7</td><td>↘</td></tr> <tr><td>20:</td><td>*10.6</td><td>↗</td></tr> <tr><td colspan="2">Series</td><td>97.0</td></tr> <tr><td colspan="2">Total</td><td>0.0</td></tr> </table>	11:	*10.4	↑	12:	*10.5	↑	13:	*10.5	→	14:	10.1	↑	15:	9.9	↘	16:	*10.2	↑	17:	8.8	↘	18:	*10.2	↑	19:	*10.7	↘	20:	*10.6	↗	Series		97.0	Total		0.0
1:	9.5	↗																																																																								
2:	8.9	↑																																																																								
3:	10.0	↑																																																																								
4:	9.8	→																																																																								
5:	8.9	→																																																																								
6:	10.0	↘																																																																								
7:	*10.9	↓																																																																								
8:	9.6	↗																																																																								
9:	*10.4	↑																																																																								
10:	9.9	→																																																																								
Series		92.0																																																																								
Total		0.0																																																																								
11:	*10.4	↑																																																																								
12:	*10.5	↑																																																																								
13:	*10.5	→																																																																								
14:	10.1	↑																																																																								
15:	9.9	↘																																																																								
16:	*10.2	↑																																																																								
17:	8.8	↘																																																																								
18:	*10.2	↑																																																																								
19:	*10.7	↘																																																																								
20:	*10.6	↗																																																																								
Series		97.0																																																																								
Total		0.0																																																																								

<p>Sight</p>  <table border="1" style="width:100%; border-collapse: collapse;"> <tr><td>21:</td><td>9.8</td><td>→</td></tr> <tr><td>22:</td><td>10.1</td><td>↘</td></tr> <tr><td>23:</td><td>*10.4</td><td>↑</td></tr> <tr><td>24:</td><td>*10.5</td><td>↘</td></tr> <tr><td>25:</td><td>*10.2</td><td>↑</td></tr> <tr><td colspan="2">Series</td><td>49.0</td></tr> <tr><td colspan="2">Total</td><td>0.0</td></tr> </table>	21:	9.8	→	22:	10.1	↘	23:	*10.4	↑	24:	*10.5	↘	25:	*10.2	↑	Series		49.0	Total		0.0	<p>40 Shots</p>  <table border="1" style="width:100%; border-collapse: collapse;"> <tr><td>1:</td><td>*10.6</td><td>↘</td></tr> <tr><td>2:</td><td>9.8</td><td>↗</td></tr> <tr><td>3:</td><td>9.8</td><td>↑</td></tr> <tr><td>4:</td><td>9.0</td><td>↖</td></tr> <tr><td>5:</td><td>9.9</td><td>↑</td></tr> <tr><td>6:</td><td>*10.6</td><td>→</td></tr> <tr><td>7:</td><td>*10.6</td><td>↑</td></tr> <tr><td>8:</td><td>10.1</td><td>↘</td></tr> <tr><td>9:</td><td>*10.2</td><td>↘</td></tr> <tr><td>10:</td><td>*10.5</td><td>↗</td></tr> <tr><td colspan="2">Series</td><td>96.0</td></tr> <tr><td colspan="2">Total</td><td>96.0</td></tr> </table>	1:	*10.6	↘	2:	9.8	↗	3:	9.8	↑	4:	9.0	↖	5:	9.9	↑	6:	*10.6	→	7:	*10.6	↑	8:	10.1	↘	9:	*10.2	↘	10:	*10.5	↗	Series		96.0	Total		96.0
21:	9.8	→																																																								
22:	10.1	↘																																																								
23:	*10.4	↑																																																								
24:	*10.5	↘																																																								
25:	*10.2	↑																																																								
Series		49.0																																																								
Total		0.0																																																								
1:	*10.6	↘																																																								
2:	9.8	↗																																																								
3:	9.8	↑																																																								
4:	9.0	↖																																																								
5:	9.9	↑																																																								
6:	*10.6	→																																																								
7:	*10.6	↑																																																								
8:	10.1	↘																																																								
9:	*10.2	↘																																																								
10:	*10.5	↗																																																								
Series		96.0																																																								
Total		96.0																																																								

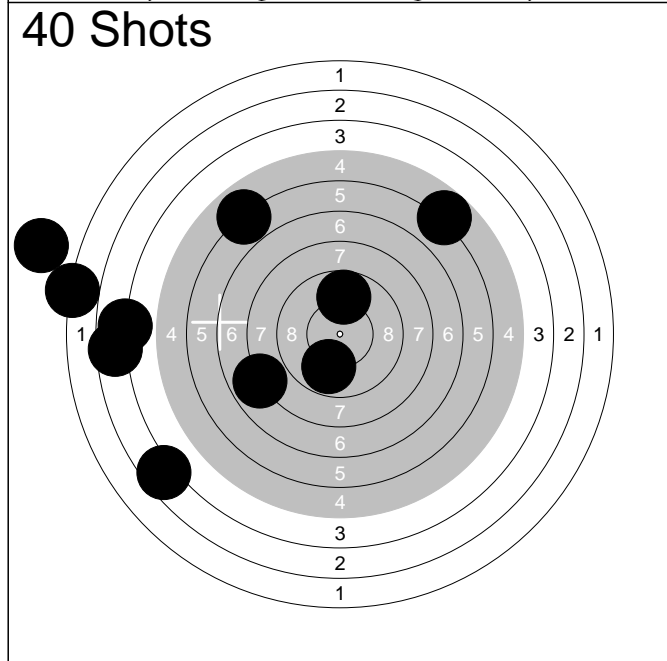
<p>40 Shots</p>  <table border="1" style="width:100%; border-collapse: collapse;"> <tr><td>11:</td><td>*10.2</td><td>↘</td></tr> <tr><td>12:</td><td>*10.7</td><td>↑</td></tr> <tr><td>13:</td><td>10.1</td><td>↗</td></tr> <tr><td>14:</td><td>*10.8</td><td>↘</td></tr> <tr><td>15:</td><td>*10.5</td><td>↑</td></tr> <tr><td>16:</td><td>*10.3</td><td>↑</td></tr> <tr><td>17:</td><td>*10.5</td><td>↘</td></tr> <tr><td>18:</td><td>*10.8</td><td>↑</td></tr> <tr><td>19:</td><td>*10.3</td><td>↘</td></tr> <tr><td>20:</td><td>10.0</td><td>←</td></tr> <tr><td colspan="2">Series</td><td>100.0</td></tr> <tr><td colspan="2">Total</td><td>196.0</td></tr> </table>	11:	*10.2	↘	12:	*10.7	↑	13:	10.1	↗	14:	*10.8	↘	15:	*10.5	↑	16:	*10.3	↑	17:	*10.5	↘	18:	*10.8	↑	19:	*10.3	↘	20:	10.0	←	Series		100.0	Total		196.0	<p>40 Shots</p>  <table border="1" style="width:100%; border-collapse: collapse;"> <tr><td>21:</td><td>*10.8</td><td>↘</td></tr> <tr><td>22:</td><td>*10.8</td><td>→</td></tr> <tr><td>23:</td><td>*10.9</td><td>↘</td></tr> <tr><td>24:</td><td>*10.3</td><td>←</td></tr> <tr><td>25:</td><td>*10.7</td><td>→</td></tr> <tr><td>26:</td><td>*10.5</td><td>↘</td></tr> <tr><td>27:</td><td>*10.7</td><td>→</td></tr> <tr><td>28:</td><td>10.1</td><td>→</td></tr> <tr><td>29:</td><td>10.1</td><td>→</td></tr> <tr><td>30:</td><td>*10.6</td><td>↗</td></tr> <tr><td colspan="2">Series</td><td>100.0</td></tr> <tr><td colspan="2">Total</td><td>296.0</td></tr> </table>	21:	*10.8	↘	22:	*10.8	→	23:	*10.9	↘	24:	*10.3	←	25:	*10.7	→	26:	*10.5	↘	27:	*10.7	→	28:	10.1	→	29:	10.1	→	30:	*10.6	↗	Series		100.0	Total		296.0
11:	*10.2	↘																																																																							
12:	*10.7	↑																																																																							
13:	10.1	↗																																																																							
14:	*10.8	↘																																																																							
15:	*10.5	↑																																																																							
16:	*10.3	↑																																																																							
17:	*10.5	↘																																																																							
18:	*10.8	↑																																																																							
19:	*10.3	↘																																																																							
20:	10.0	←																																																																							
Series		100.0																																																																							
Total		196.0																																																																							
21:	*10.8	↘																																																																							
22:	*10.8	→																																																																							
23:	*10.9	↘																																																																							
24:	*10.3	←																																																																							
25:	*10.7	→																																																																							
26:	*10.5	↘																																																																							
27:	*10.7	→																																																																							
28:	10.1	→																																																																							
29:	10.1	→																																																																							
30:	*10.6	↗																																																																							
Series		100.0																																																																							
Total		296.0																																																																							

<p>40 Shots</p>  <table border="1" style="width:100%; border-collapse: collapse;"> <tr><td>31:</td><td>*10.8</td><td>↘</td></tr> <tr><td>32:</td><td>9.5</td><td>←</td></tr> <tr><td>33:</td><td>9.1</td><td>↗</td></tr> <tr><td>34:</td><td>*10.5</td><td>↘</td></tr> <tr><td>35:</td><td>*10.5</td><td>↘</td></tr> <tr><td>36:</td><td>*10.9</td><td>↘</td></tr> <tr><td>37:</td><td>*10.8</td><td>↗</td></tr> <tr><td>38:</td><td>10.0</td><td>↘</td></tr> <tr><td>39:</td><td>9.9</td><td>↘</td></tr> <tr><td>40:</td><td>*10.4</td><td>↘</td></tr> <tr><td colspan="2">Series</td><td>97.0</td></tr> <tr><td colspan="2">Total</td><td>393.0</td></tr> </table>	31:	*10.8	↘	32:	9.5	←	33:	9.1	↗	34:	*10.5	↘	35:	*10.5	↘	36:	*10.9	↘	37:	*10.8	↗	38:	10.0	↘	39:	9.9	↘	40:	*10.4	↘	Series		97.0	Total		393.0	
31:	*10.8	↘																																			
32:	9.5	←																																			
33:	9.1	↗																																			
34:	*10.5	↘																																			
35:	*10.5	↘																																			
36:	*10.9	↘																																			
37:	*10.8	↗																																			
38:	10.0	↘																																			
39:	9.9	↘																																			
40:	*10.4	↘																																			
Series		97.0																																			
Total		393.0																																			

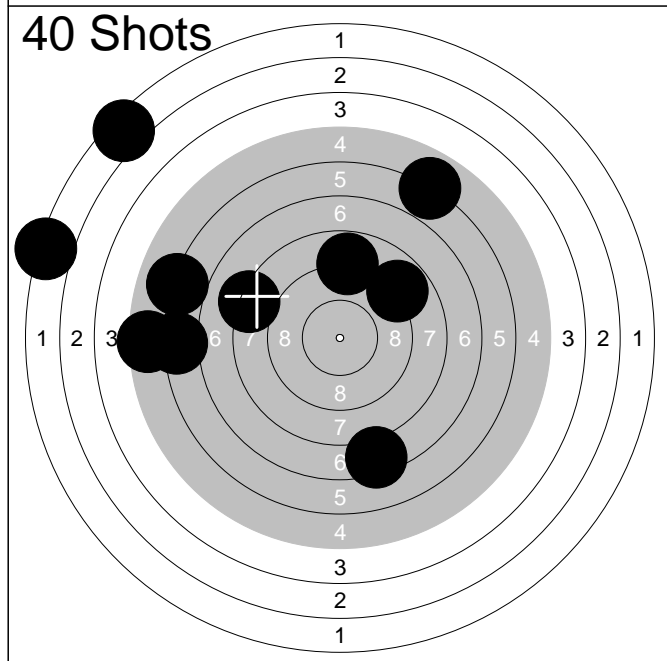




1:	8.5	↑
2:	2.9	↙
3:	6.5	↗
4:	7.7	←
5:	6.8	↑
6:	7.4	←
7:	7.1	→
8:	10.0	↑
<b>Series</b>	<b>53.0</b>	
<b>Total</b>	<b>0.0</b>	

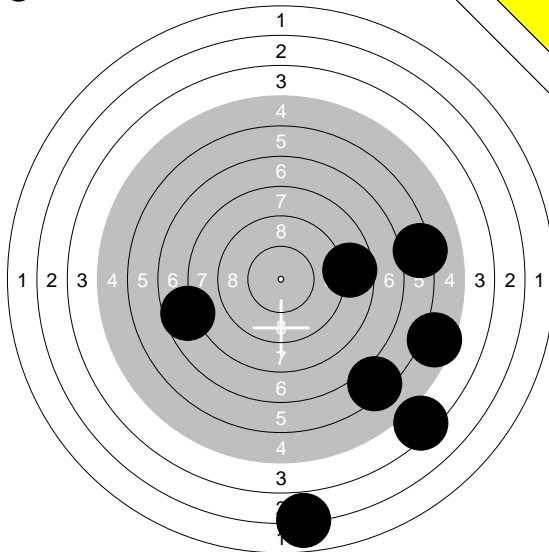


1:	5.7	↗
2:	1.9	←
3:	5.9	↗
4:	0.0	←
5:	7.9	↙
6:	3.8	←
7:	9.8	↘
8:	9.7	↑
9:	3.5	←
10:	3.5	↙
<b>Series</b>	<b>45.0</b>	
<b>Total</b>	<b>45.0</b>	



11:	2.3	↖
12:	8.8	↗
13:	5.4	←
14:	2.1	↙
15:	8.8	↑
16:	8.1	↙
17:	6.0	↙
18:	5.9	↗
19:	6.2	←
20:	7.4	↘
<b>Series</b>	<b>57.0</b>	
<b>Total</b>	<b>102.0</b>	

### Sight

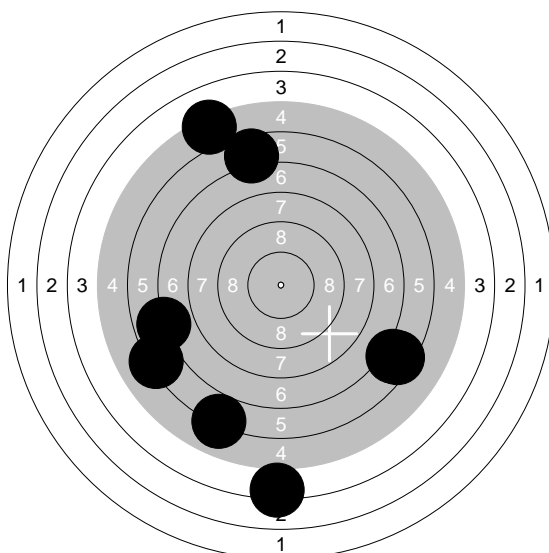


1:	0.0	↗
2:	8.7	→
3:	0.0	←
4:	4.3	↘
5:	6.3	↘
6:	6.2	→
7:	7.7	←
8:	0.0	←
9:	2.9	↓
10:	5.5	→

Series	38.0
--------	------

Total	0.0
-------	-----

### 40 Shots

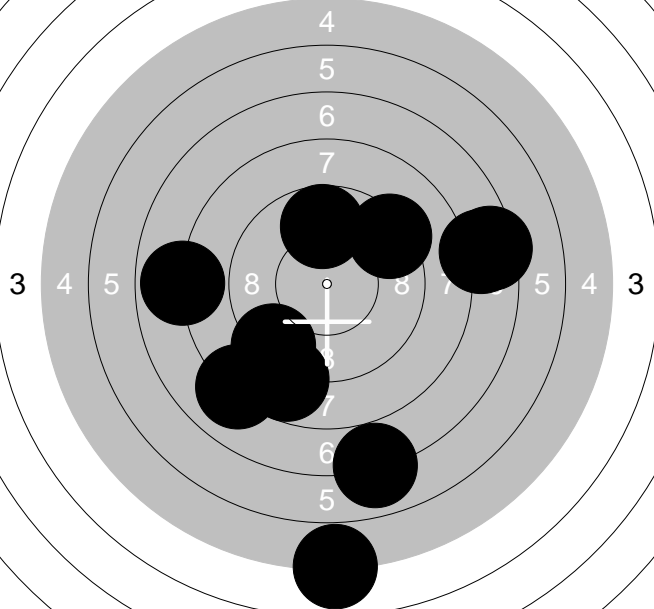


1:	0.0	→
2:	6.0	↘
3:	5.2	↗
4:	6.4	↘
5:	6.6	↗
6:	4.1	↓
7:	0.0	↘
8:	6.9	←
9:	6.6	↘
10:	6.1	↙

Series	45.0
--------	------

Total	45.0
-------	------

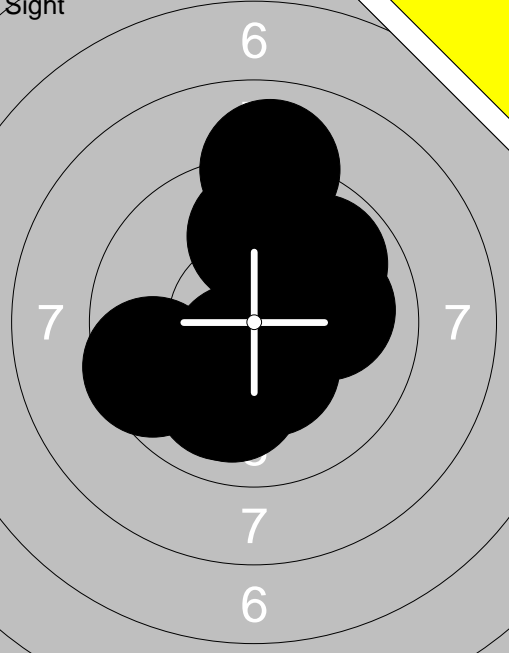
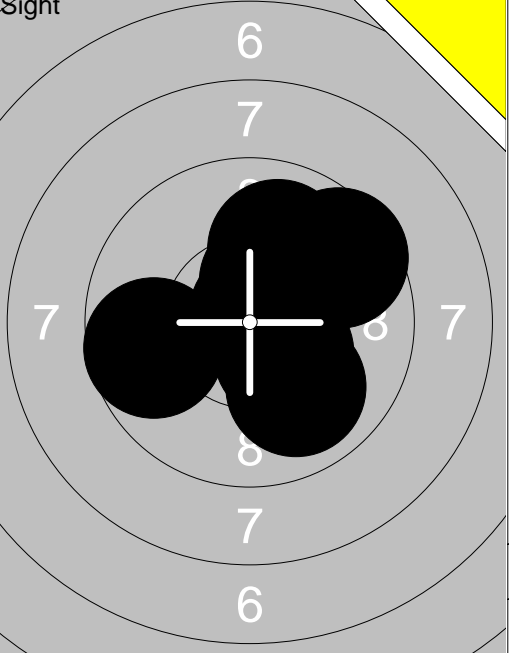
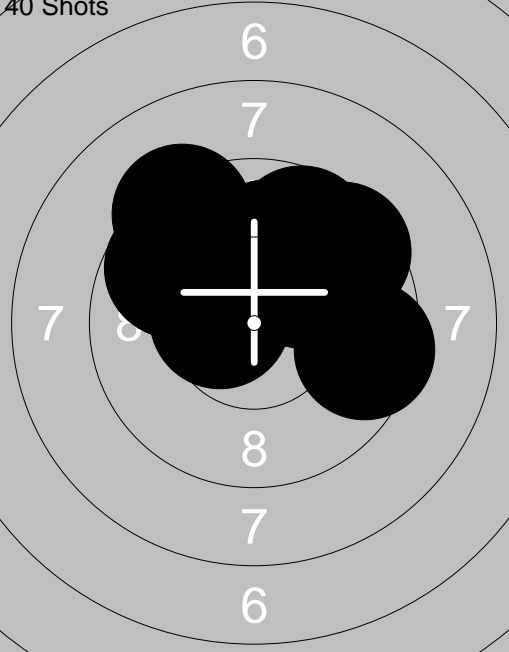

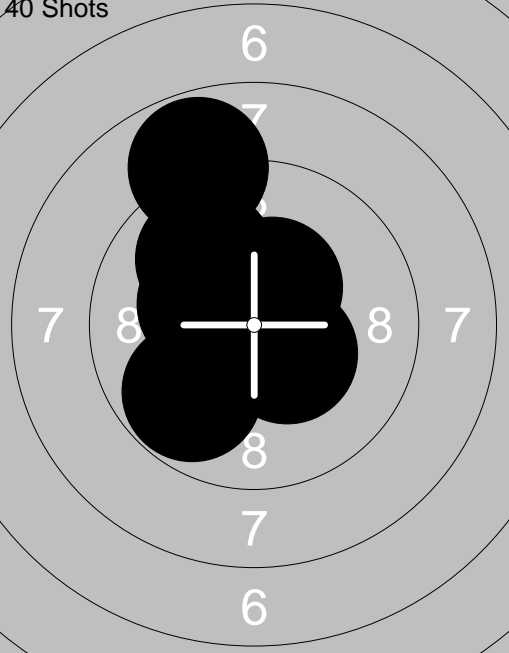
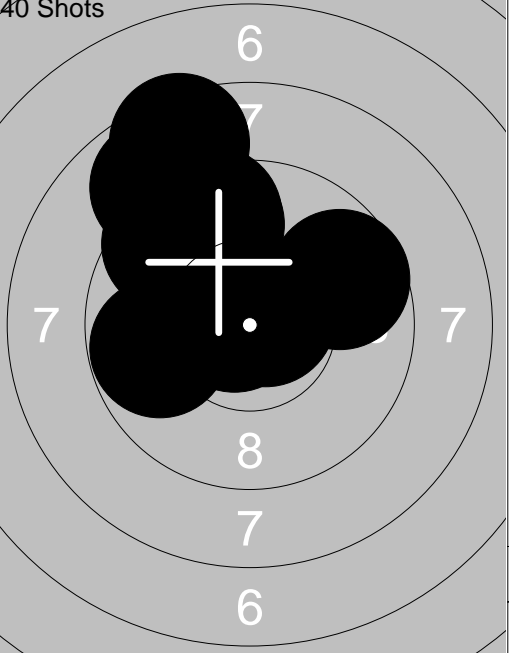
### 40 Shots

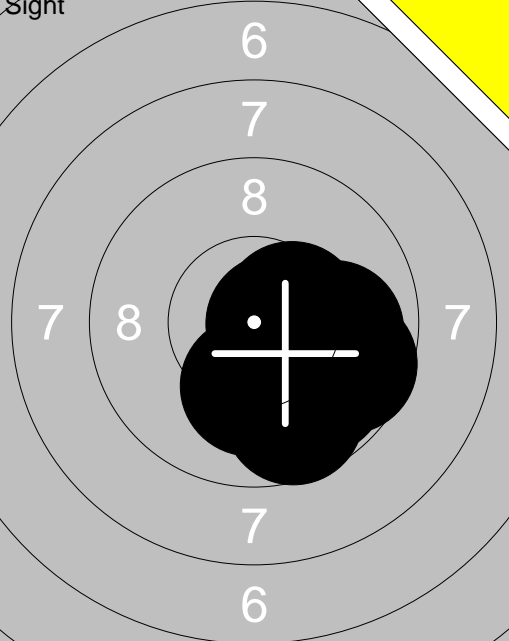
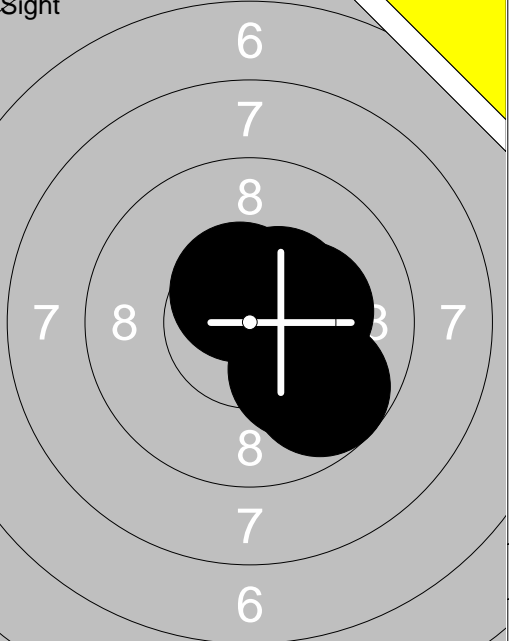



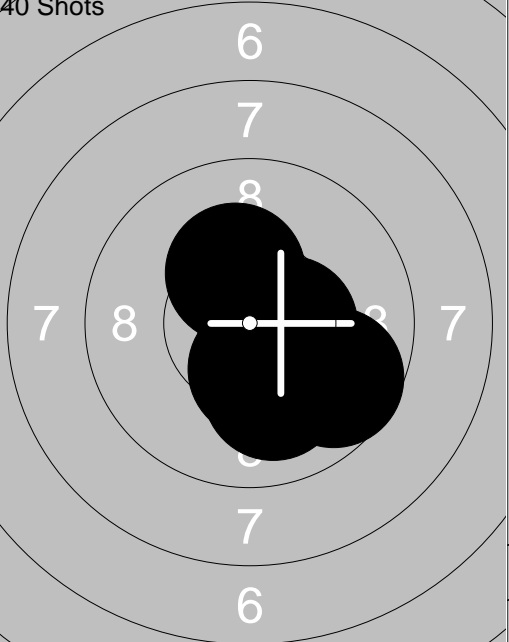
11:	7.6	→
12:	7.4	→
13:	9.2	↙
14:	8.0	↙
15:	9.3	↗
16:	9.7	↑
17:	6.9	↓
18:	4.9	↓
19:	8.7	↘
20:	7.9	←

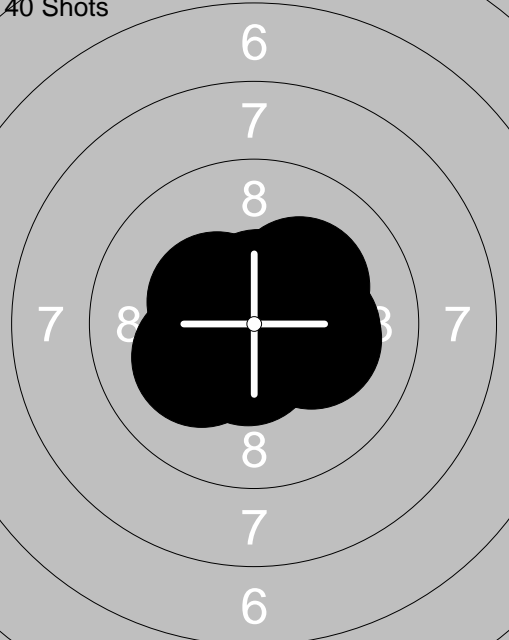
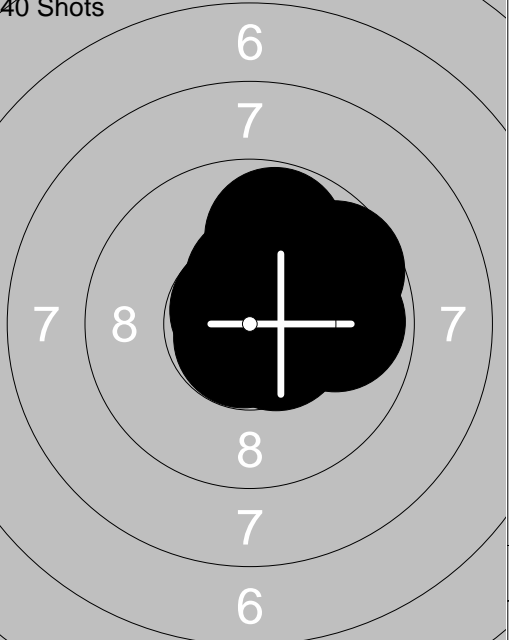
Series	74.0
--------	------

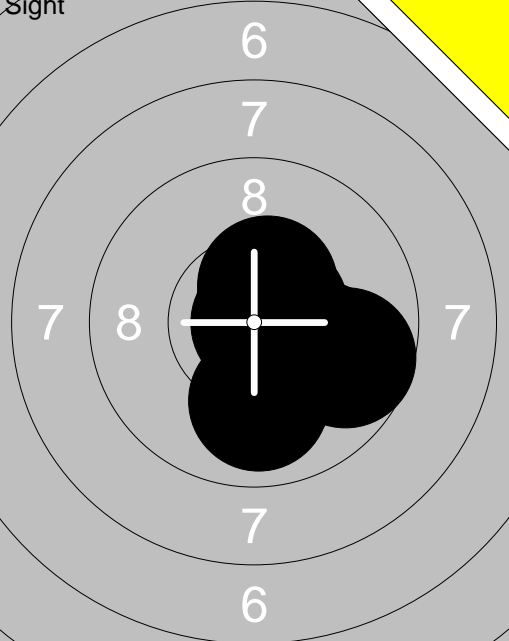
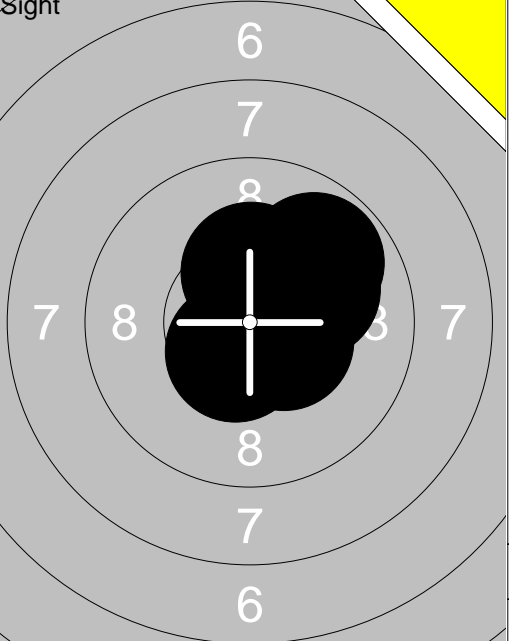
Total	119.0
-------	-------

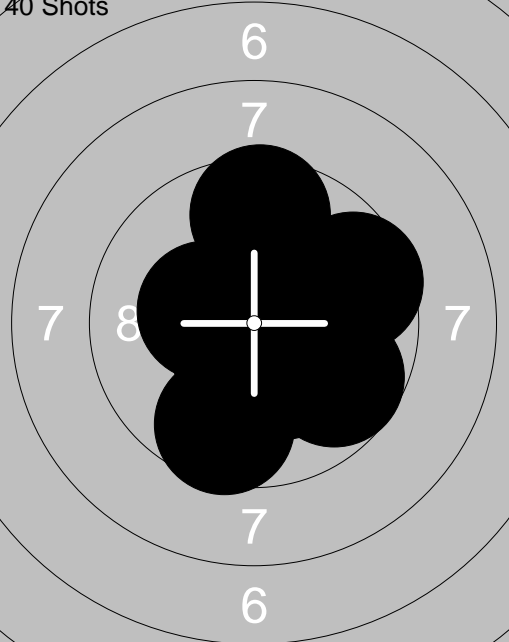

<p>Sight</p> 	<p>1: 10.0 ↘                  2: 9.5 ←                  3: *10.4 ↘                  4: 9.7 ↑                  5: 9.0 ↑                  6: *10.5 ↘                  7: 10.0 ↘                  8: 9.8 ↗                  9: 9.8 ↑                  10: 10.0 →</p> <p>Series 95.0 Total 0.0</p>	<p>Sight</p> 	<p>11: *10.4 ↘                  12: 9.7 ←                  13: *10.4 ↗                  14: 9.9 ↘                  15: 9.6 ↗                  16: *10.8 ↗                  17: 10.0 ↑                  18: *10.7 ↗</p> <p>Series 77.0 Total 0.0</p>
<p>40 Shots</p> 	<p>1: *10.5 ↑                  2: 9.3 ↘                  3: 9.7 ↗                  4: 9.7 ←                  5: 9.5 ↗                  6: *10.3 ↘                  7: 9.5 →                  8: 10.0 ↑                  9: *10.5 ←                  10: 10.1 ↗</p> <p>Series 95.0 Total 95.0</p>	<p>40 Shots</p> 	<p>11: 9.7 ↑                  12: *10.4 ↘                  13: 10.1 ↘                  14: 9.8 ↑                  15: *10.4 ↘                  16: *10.7 →                  17: *10.4 →                  18: *10.4 ↘                  19: *10.2 →                  20: *10.7 ↗</p> <p>Series 98.0 Total 193.0</p>
<p>40 Shots</p> 	<p>21: *10.8 →                  22: *10.3 ←                  23: 8.8 ↑                  24: 9.8 ↘                  25: 9.9 ↘                  26: *10.7 ↘                  27: *10.6 ↑                  28: *10.4 ↘                  29: *10.8 ↑                  30: *10.4 ↗</p> <p>Series 96.0 Total 289.0</p>	<p>40 Shots</p> 	<p>31: *10.8 ←                  32: 9.7 ↗                  33: 9.8 ←                  34: 9.5 ↘                  35: *10.7 ↗                  36: 8.5 ↑                  37: 8.8 ↘                  38: 9.5 ↑                  39: 9.6 ↑                  40: *10.5 ←</p> <p>Series 91.0 Total 380.0</p>


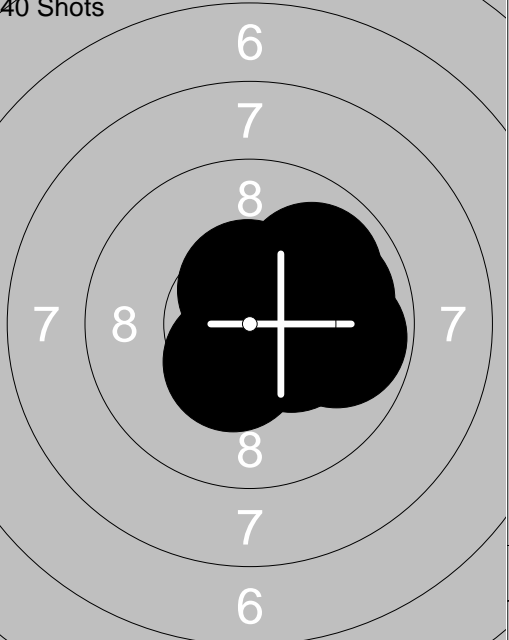
Sight 	1: 9.8 ↘	Sight 	11: 9.7 ↘
	2: 10.1 ↓		12: 10.1 ↘
	3: 10.1 ↘		13: *10.2 ➔
	4: 9.7 ↓		14: *10.5 ↗
	5: *10.7 ➔		15: *10.5 ↗
	6: 9.9 →		16: *10.5 ➔
	7: *10.4 ➔		
	8: *10.4 ➔		
	9: *10.3 ↘		
	10: 9.6 ↘		
	Series 96.0		Series 59.0
	Total 0.0		Total 0.0


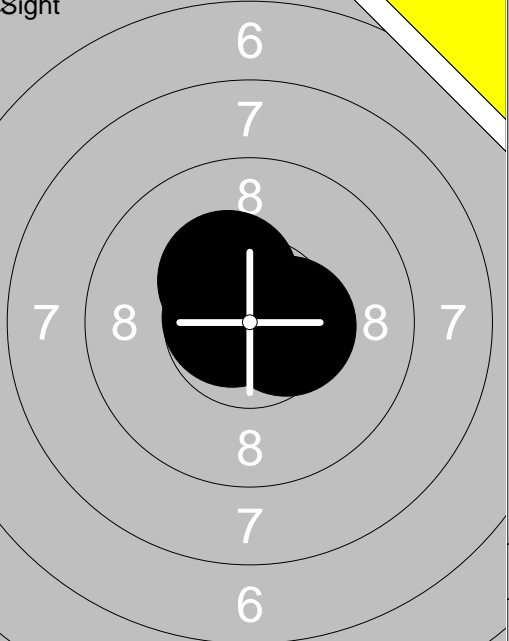
40 Shots 	1: 10.1 ↘	40 Shots 	11: 9.7 ↘
	2: *10.9 ↗		12: *10.5 ➔
	3: *10.6 ↘		13: *10.3 ➔
	4: 9.9 ↘		14: *10.3 ↓
	5: *10.4 ↗		15: 10.1 ↘
	6: *10.4 ➔		16: *10.5 ➔
	7: *10.6 ↘		17: 10.0 ↓
	8: 9.8 ↑		18: *10.3 ↗
	9: 9.9 →		19: *10.6 ↘
	10: 10.0 ↓		20: *10.3 ↘
	Series 97.0		Series 99.0
	Total 97.0		Total 196.0


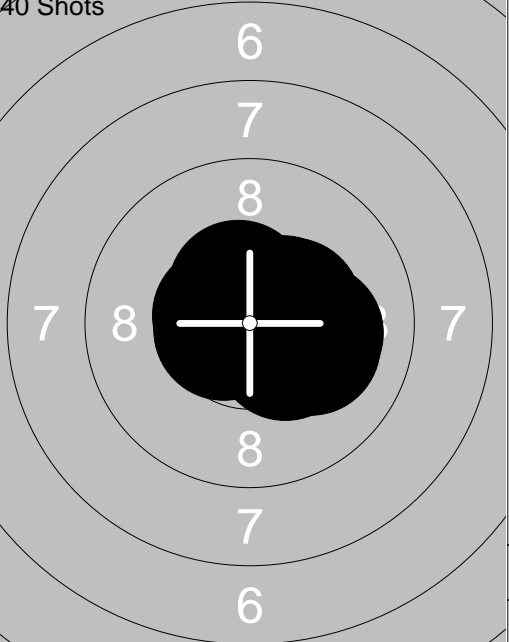
40 Shots 	21: *10.6 ↗	40 Shots 	31: *10.4 ↗
	22: *10.2 ↗		32: *10.7 ↗
	23: *10.2 ↘		33: 10.0 ↗
	24: *10.7 ↓		34: *10.8 ➔
	25: *10.5 ↓		35: *10.4 ↗
	26: *10.5 ➔		36: 9.8 ↑
	27: *10.2 ➔		37: *10.8 ↓
	28: *10.2 ➔		38: *10.5 ↘
	29: *10.4 ↗		39: 9.7 ↗
	30: *10.8 ↘		40: 9.9 →
	Series 100.0		Series 97.0
	Total 296.0		Total 393.0

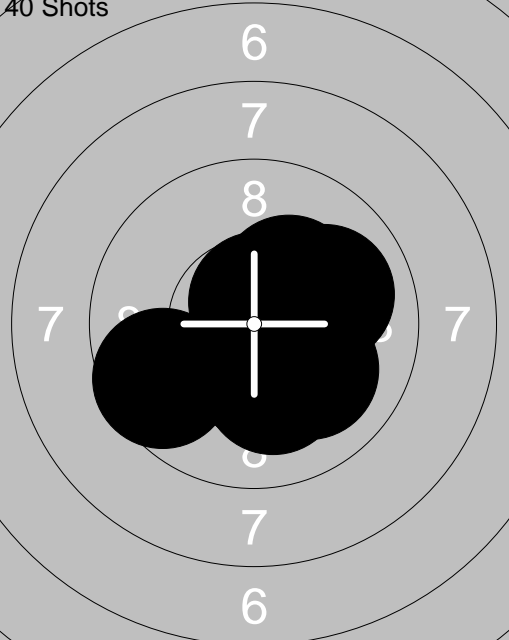
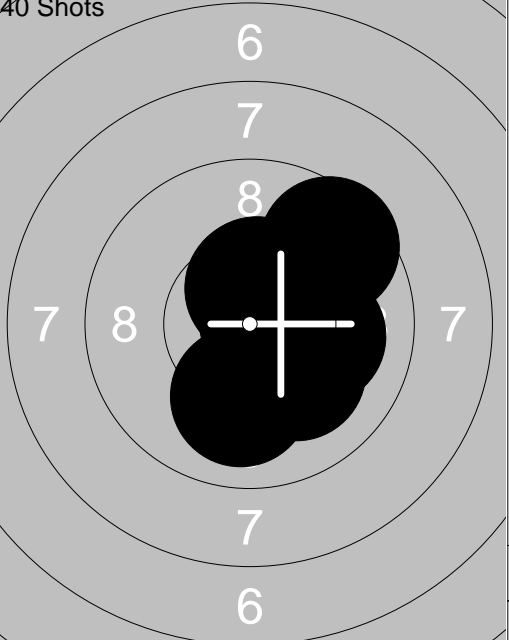
Sight		1: 10.0 →	Sight		11: 9.8 ↗
		2: 9.9 ↓			12: *10.3↑
		3: *10.6↗			13: *10.4↗
		4: *10.5↑			14: *10.5↓
		5: *10.9→			15: 10.1 ↗
		6: 10.1 ↓			16: *10.5↘
		7: *10.6↘			
		8: *10.4↘			
		9: *10.6↗			
		10: 9.7 →			
		Series 98.0			Series 59.0
		Total 0.0			Total 0.0

40 Shots		1: 9.7 →	40 Shots		11: *10.2↗
		2: 9.6 ↑			12: *10.7→
		3: 9.6 →			13: 9.9 ↓
		4: *10.5↓			14: *10.2↘
		5: *10.7↘			15: *10.2↓
		6: 9.6 ↓			16: 9.1 ↓
		7: *10.2↘			17: 9.5 ↑
		8: *10.3↑			18: *10.9↘
		9: *10.3↘			19: 10.1 ↑
		10: *10.3↓			20: *10.7↓
		Series 96.0			Series 97.0
		Total 96.0			Total 193.0

40 Shots		21: *10.6↘	40 Shots		31: *10.6↑
		22: *10.5↗			32: 10.1 →
		23: *10.2↗			33: 9.8 →
		24: *10.5→			34: *10.5↑
		25: 10.1 ↓			35: *10.4↘
		26: *10.2↑			36: *10.2→
		27: 9.3 →			37: *10.8↑
		28: 9.7 ↙			38: 9.9 ↗
		29: *10.3↓			39: 9.9 →
		30: 9.9 ↙			40: *10.4↓
		Series 97.0			Series 97.0
		Total 290.0			Total 387.0

<p>Sight</p> 	<p>1: *10.3↘                  2: *10.8↘                  3: 9.2 ↓                  4: *10.8↘                  5: *10.2→                  6: *10.9↑                  7: *10.2→                  8: *10.7↓                  9: *10.3↘                  10: 10.1 ↓</p> <p>Series 99.0 Total 0.0</p>	<p>Sight</p> 	<p>11: *10.5→                  12: *10.3↗                  13: *10.7↖</p> <p>Series 30.0 Total 0.0</p>
---	--	---	--

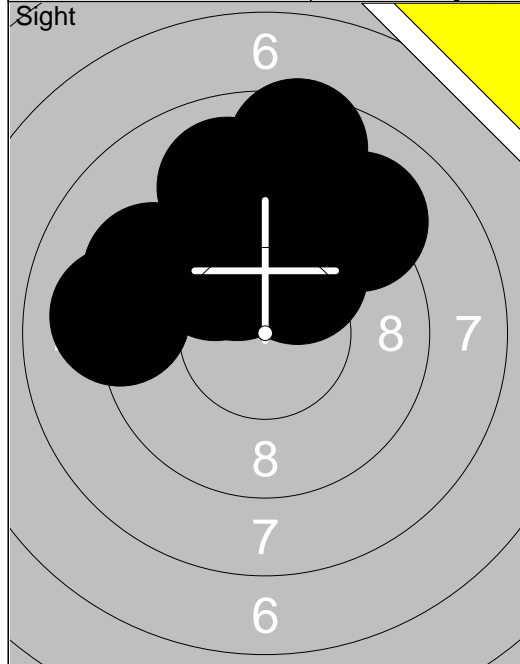
<p>40 Shots</p> 	<p>1: *10.2→                  2: *10.4↘                  3: 9.7 →                  4: *10.6↘                  5: *10.6↓                  6: *10.9↑                  7: *10.7↘                  8: 9.7 ↓                  9: *10.8→                  10: *10.3↑</p> <p>Series 98.0 Total 98.0</p>	<p>40 Shots</p> 	<p>11: 10.1→                  12: 10.1→                  13: *10.5→                  14: *10.9↗                  15: *10.6↖                  16: *10.4↘                  17: *10.4→                  18: *10.6↖                  19: 10.1→                  20: *10.5↗</p> <p>Series 100.0 Total 198.0</p>
---	--	---	--

<p>40 Shots</p> 	<p>21: *10.4↘                  22: *10.3↓                  23: 9.6 ↖                  24: *10.3↘                  25: 10.0 ↘                  26: *10.7↑                  27: *10.3↗                  28: 10.0→                  29: *10.4→                  30: 10.1 ↓</p> <p>Series 99.0 Total 297.0</p>	<p>40 Shots</p> 	<p>31: *10.5↑                  32: *10.2→                  33: *10.5↘                  34: 9.5 ↗                  35: 10.1→                  36: 10.0 ↓                  37: 10.1 ↘                  38: *10.4↘                  39: *10.5↑                  40: *10.7→</p> <p>Series 99.0 Total 396.0</p>
--	--	--	--

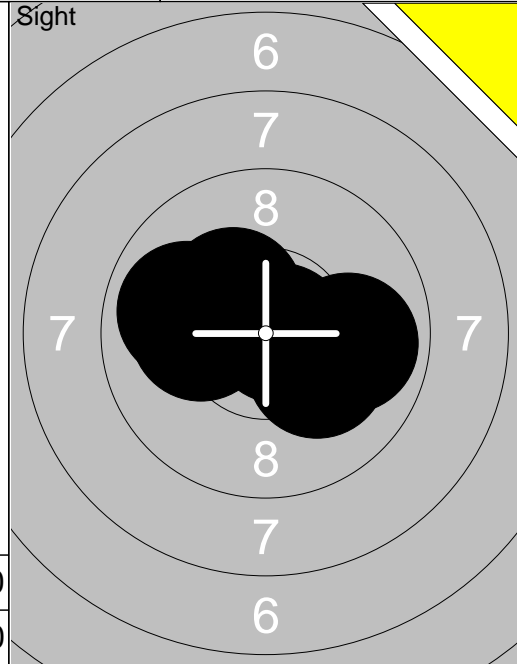
Relay	Lane	Nicole Nygren		
1	15			

10m	Umeå	11	Vb
-----	------	----	----

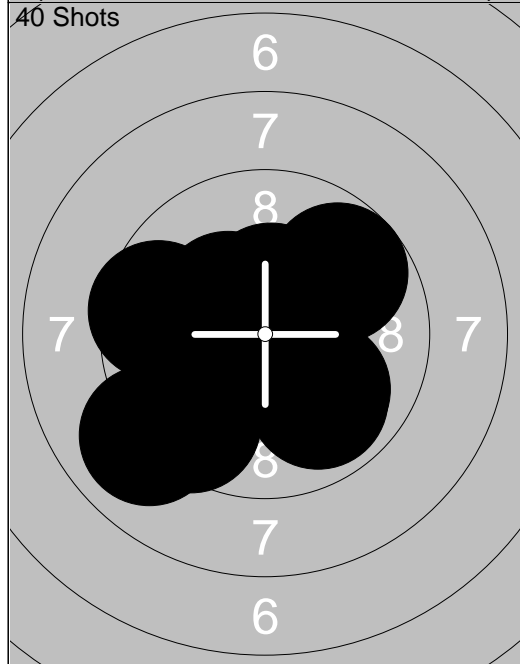
03.11.2013	Vindelnskyttet 2013	Ramselefors SKF
------------	---------------------	-----------------



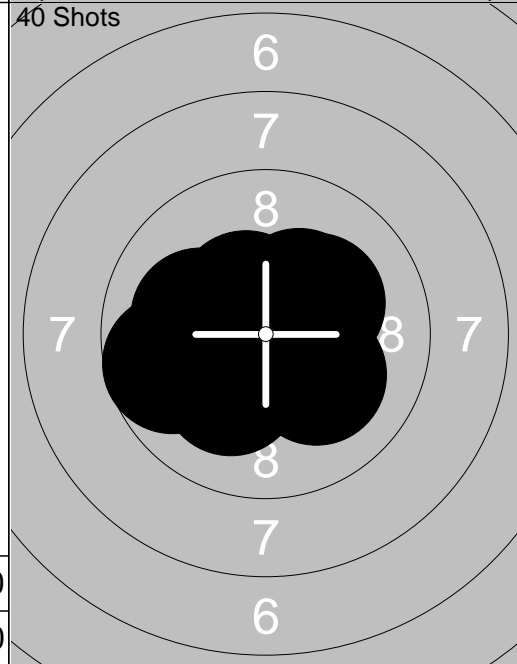
1:	10.1 ↗
2:	9.1 ←
3:	9.4 ↗
4:	9.0 ↑
5:	9.1 ↗
6:	9.9 ↖
7:	9.4 ↑
8:	8.6 ↑
9:	9.3 ↖
10:	10.1 ↗
Series	91.0
Total	0.0



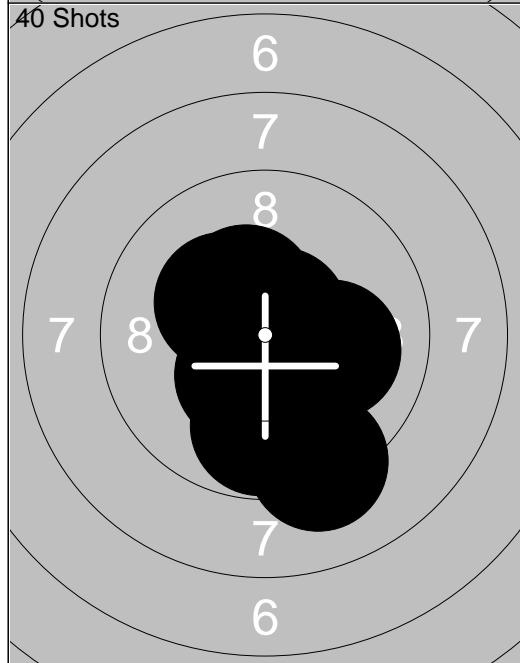
11:	*10.2 ↘
12:	9.9 ←
13:	9.9 →
14:	*10.8 →
15:	*10.3 ↖
16:	10.1 ←
Series	58.0
Total	0.0



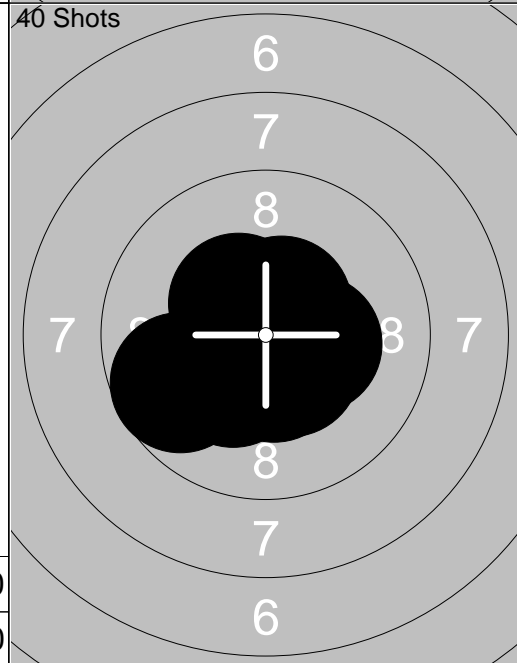
1:	10.0 ↘
2:	*10.3 ↖
3:	9.5 ↘
4:	*10.9 ↖
5:	9.7 ↗
6:	*10.2 ↗
7:	9.9 ↘
8:	*10.4 ↑
9:	9.6 ←
10:	9.0 ↘
Series	95.0
Total	95.0



11:	*10.3 ↗
12:	9.7 ←
13:	*10.2 ↗
14:	*10.3 ↖
15:	10.1 ←
16:	*10.2 ↘
17:	*10.5 ↖
18:	10.1 ↘
19:	*10.5 ↘
20:	*10.7 ↖
Series	99.0
Total	194.0


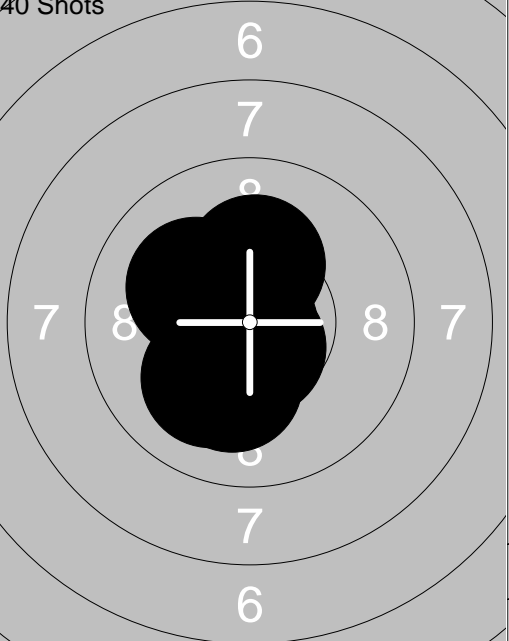


21:	*10.4 ↘
22:	*10.4 ↘
23:	10.1 →
24:	9.9 ↓
25:	9.2 ↓
26:	9.8 ↓
27:	*10.7 ↗
28:	*10.4 ↘
29:	*10.3 ↖
30:	*10.4 ↖
Series	97.0
Total	291.0

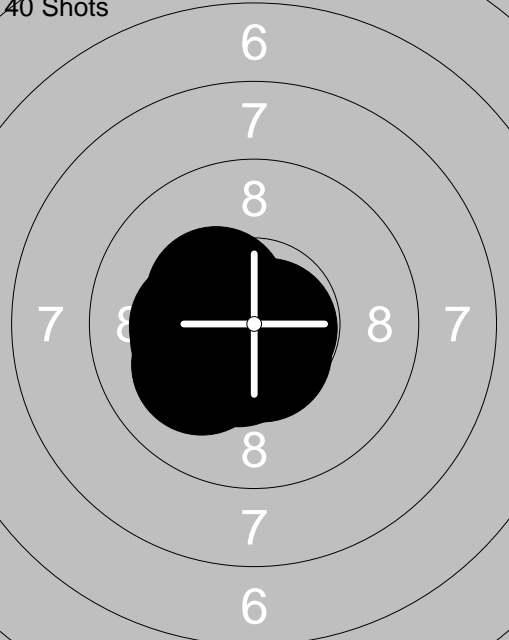


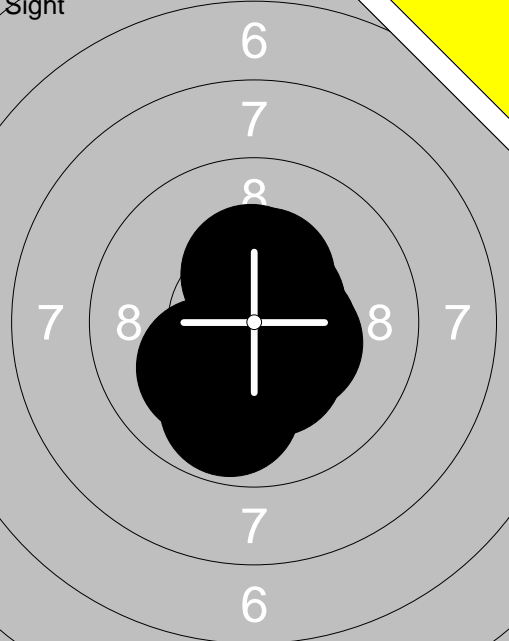
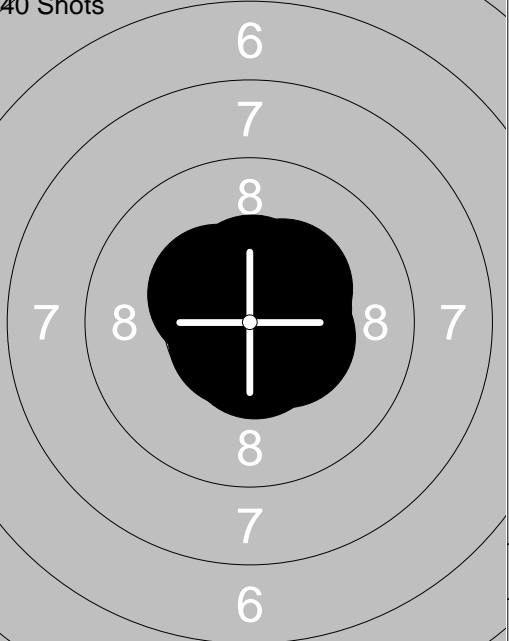
31:	*10.3 ↘
32:	*10.6 ↘
33:	*10.6 ↖
34:	*10.4 →
35:	*10.5 ↘
36:	*10.4 ↖
37:	*10.6 ↘
38:	*10.5 ↗
39:	*10.4 ↘
40:	9.7 ←
Series	99.0
Total	390.0

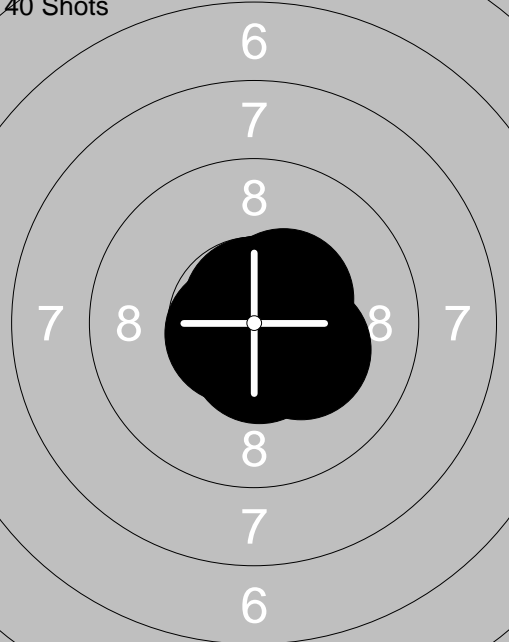
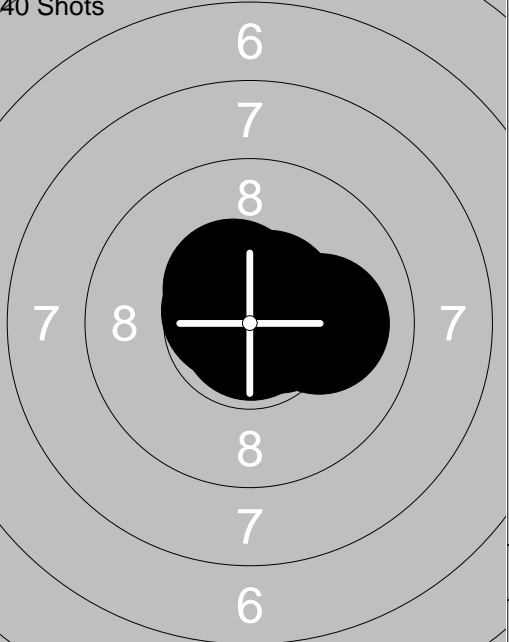



<p>Sight</p> 	<p>1: *10.6 ↙</p> <p>2: 10.0 ↙</p> <p>3: 9.8 ←</p> <p>4: 9.8 →</p> <p>5: *10.4 →</p> <p>6: *10.4 ↓</p> <p>7: *10.8 ↙</p>	<p>40 Shots</p> 		<p>1: *10.7 ↓</p> <p>2: *10.6 ↓</p> <p>3: 10.1 ↓</p> <p>4: *10.8 ↙</p> <p>5: *10.9 ↓</p> <p>6: *10.2 ↑</p> <p>7: *10.4 ↙</p> <p>8: *10.5 ↑</p> <p>9: 10.1 ↙</p> <p>10: *10.2 ↓</p>
Series 68.0				Series 100.0
Total 0.0				Total 100.0

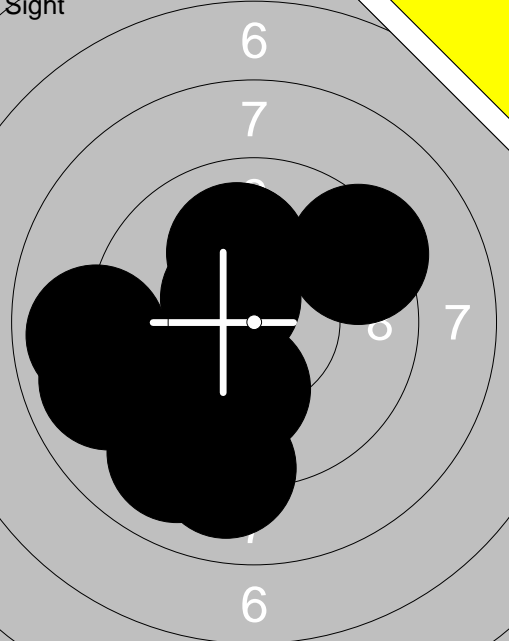
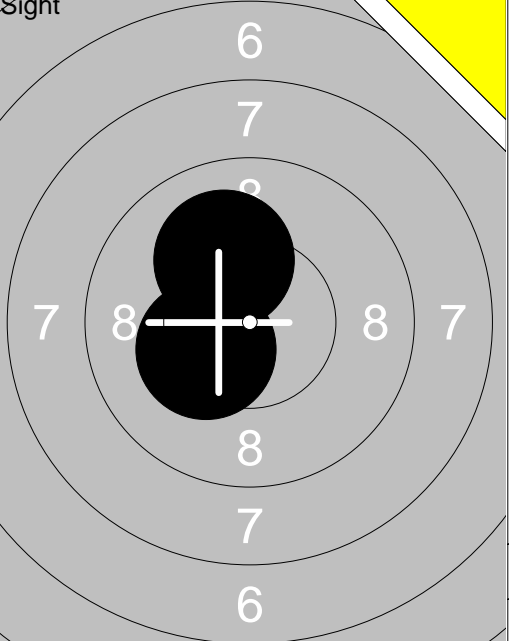
<p>40 Shots</p> 	<p>11: *10.7 ↗</p> <p>12: *10.4 ↙</p> <p>13: *10.8 ↓</p> <p>14: *10.6 ↙</p> <p>15: *10.7 ↑</p> <p>16: *10.5 ↙</p> <p>17: *10.7 ↓</p> <p>18: *10.5 ↙</p> <p>19: 10.1 ←</p> <p>20: 9.9 →</p>	<p>40 Shots</p> 		<p>21: *10.5 ↙</p> <p>22: *10.4 ↓</p> <p>23: *10.3 ↑</p> <p>24: *10.4 ↓</p> <p>25: *10.8 ↙</p> <p>26: *10.5 ↙</p> <p>27: *10.9 ↙</p> <p>28: *10.4 ↙</p> <p>29: *10.2 ↑</p> <p>30: *10.9 ↓</p>
Series 99.0				Series 100.0
Total 199.0				Total 299.0

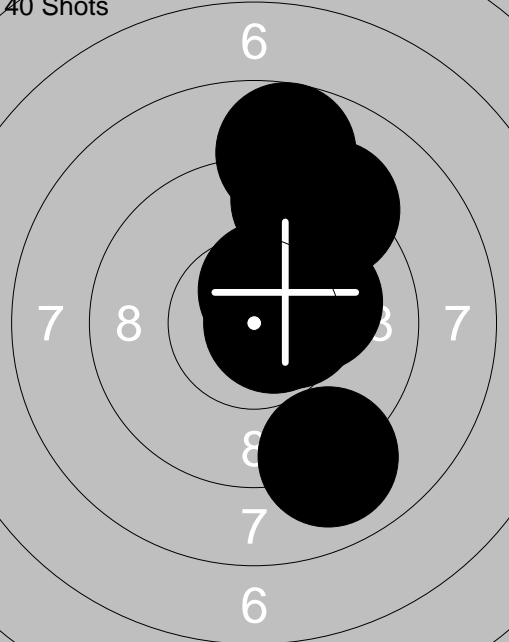
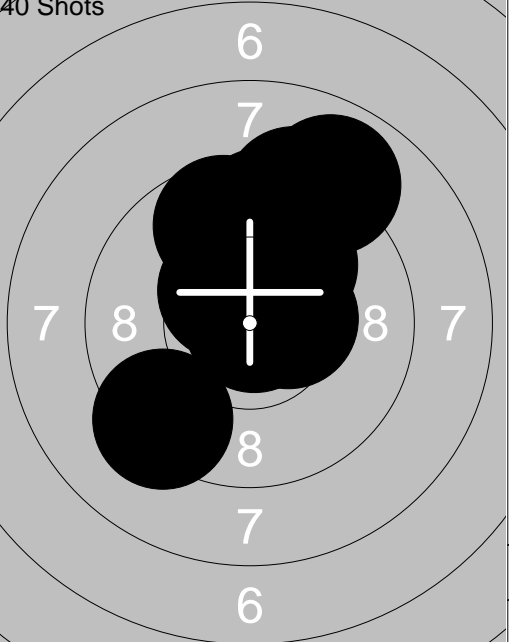
<p>40 Shots</p> 	<p>31: *10.2 ↙</p> <p>32: *10.3 ↙</p> <p>33: *10.5 ↙</p> <p>34: *10.4 ↙</p> <p>35: *10.8 →</p> <p>36: *10.6 ↓</p> <p>37: *10.5 ↓</p> <p>38: 10.1 ↙</p> <p>39: *10.3 ↙</p> <p>40: *10.5 ↙</p>			
Series 100.0				
Total 399.0				

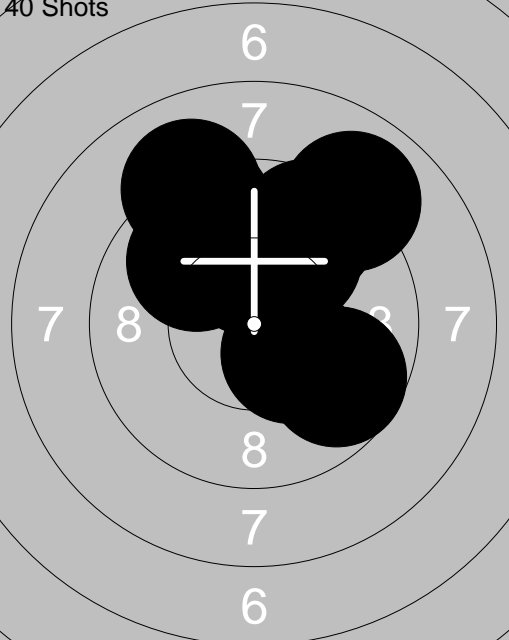
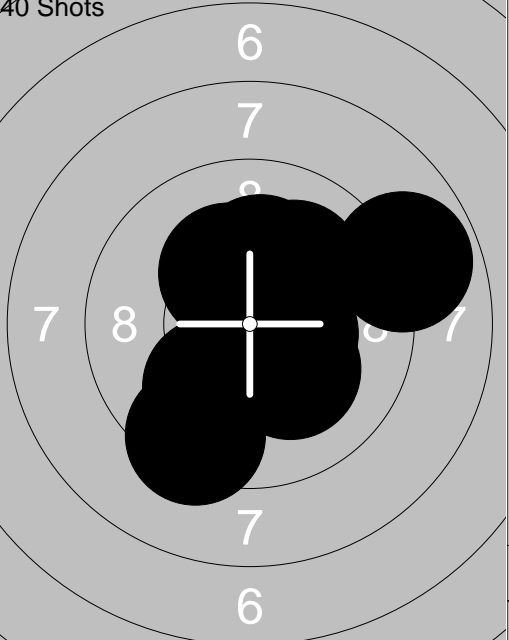
Sight 	1: *10.2 ↘	40 Shots 	1: *10.6 ↑
	2: 10.1 ↙		2: *10.5 ↑
	3: 9.8 ↓		3: *10.5 →
	4: *10.4 →		4: *10.4 ↗
	5: *10.5 →		5: *10.4 ↖
	6: *10.3 ↘		6: *10.5 →
	7: *10.4 ↑		7: *10.7 ↑
	8: *10.6 ↗		8: *10.6 ↘
	9: *10.7 ↗		9: *10.7 ↘
	10: *10.3 ↑		10: *10.9 ↘
	Series 99.0		Series 100.0
	Total 0.0		Total 100.0

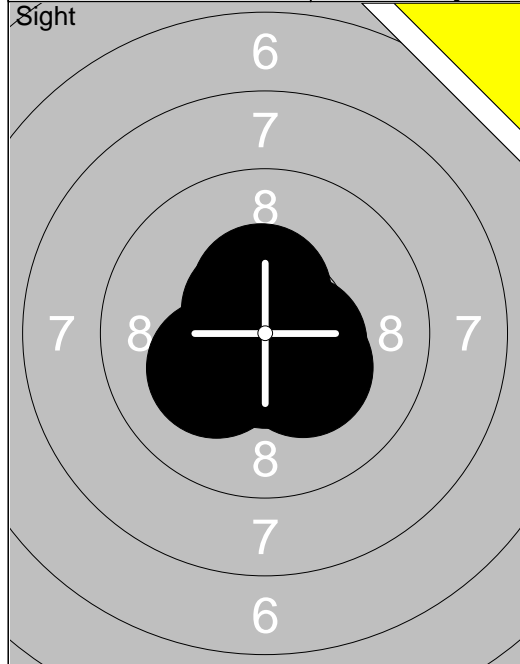
40 Shots 	11: *10.8 ↗	40 Shots 	21: *10.7 ↗
	12: *10.6 ↘		22: 10.1 →
	13: *10.7 ↘		23: *10.6 →
	14: *10.5 ↗		24: *10.6 ↗
	15: *10.9 ↗		25: *10.7 ↖
	16: *10.3 →		26: *10.5 ↖
	17: *10.6 ↘		27: *10.7 ↖
	18: *10.7 ↖		28: *10.9 ↗
	19: *10.7 ↑		29: *10.9 ↘
	20: *10.7 ↑		30: *10.6 →
	Series 100.0		Series 100.0
	Total 200.0		Total 300.0

40 Shots 	31: *10.3 ↖	
	32: *10.4 ↖	
	33: *10.7 ↘	
	34: *10.7 ↘	
	35: *10.4 ↖	
	36: *10.5 ↑	
	37: *10.8 →	
	38: *10.5 ↑	
	39: *10.5 ↗	
	40: 10.1 ↑	
	Series 100.0	
	Total 400.0	

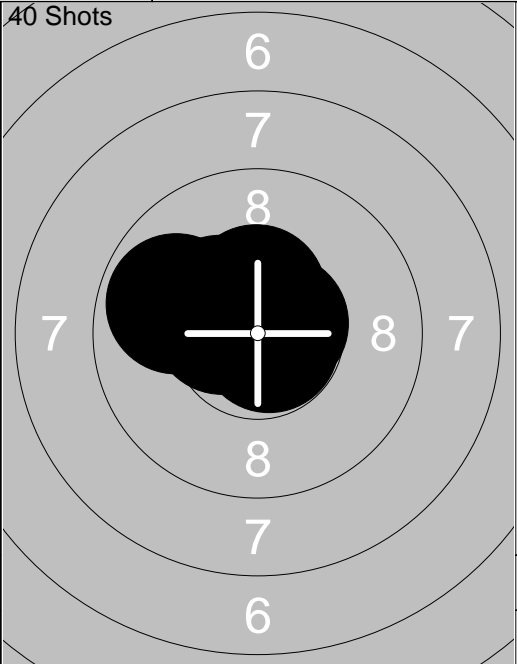
<p>Sight</p> 	<p>1: 9.0 ←</p> <p>2: 9.7 ↙</p> <p>3: 10.0 ↑</p> <p>4: *10.5 ↘</p> <p>5: 9.0 ↘</p> <p>6: 10.1 ↓</p> <p>7: 9.1 ↓</p> <p>8: 10.0 ↑</p> <p>9: 8.9 ←</p> <p>10: 9.4 ↗</p>	<p>Sight</p> 	<p>11: 10.1 ↗</p> <p>12: *10.3 ↘</p>
Series 93.0		Series 20.0	
Total 0.0		Total 0.0	

<p>40 Shots</p> 	<p>1: 9.0 ↘</p> <p>2: 9.2 ↗</p> <p>3: *10.5 ↗</p> <p>4: 9.3 ↗</p> <p>5: *10.7 →</p> <p>6: *10.2 →</p> <p>7: *10.5 →</p> <p>8: *10.7 →</p> <p>9: 10.1 ↗</p> <p>10: 8.7 ↑</p>	<p>40 Shots</p> 	<p>11: *10.4 ↘</p> <p>12: 10.1 ↗</p> <p>13: 9.2 ↗</p> <p>14: *10.5 ↗</p> <p>15: *10.9 →</p> <p>16: *10.5 →</p> <p>17: 9.6 ↑</p> <p>18: 8.9 ↗</p> <p>19: 9.3 ↘</p> <p>20: 9.7 ↗</p>
Series 95.0		Series 94.0	
Total 95.0		Total 189.0	

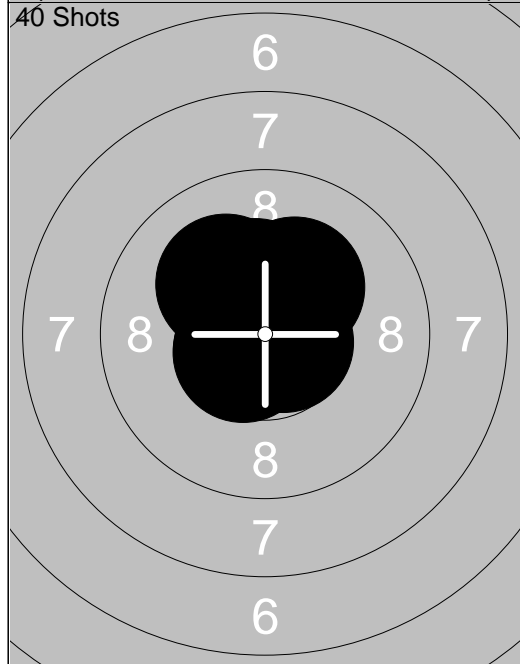
<p>40 Shots</p> 	<p>21: 9.6 ↗</p> <p>22: 9.3 ↗</p> <p>23: 9.8 ↗</p> <p>24: 10.0 ↗</p> <p>25: 9.1 ↗</p> <p>26: *10.2 ↗</p> <p>27: 9.9 ↗</p> <p>28: 9.0 ↗</p> <p>29: 9.7 ↘</p> <p>30: *10.3 ↘</p>	<p>40 Shots</p> 	<p>31: 10.1 ↗</p> <p>32: *10.3 ↗</p> <p>33: *10.2 ↗</p> <p>34: 8.9 →</p> <p>35: *10.2 ↗</p> <p>36: 10.0 ↘</p> <p>37: 9.4 ↘</p> <p>38: *10.4 →</p> <p>39: *10.2 ↘</p> <p>40: *10.4 ↘</p>
Series 93.0		Series 97.0	
Total 282.0		Total 379.0	



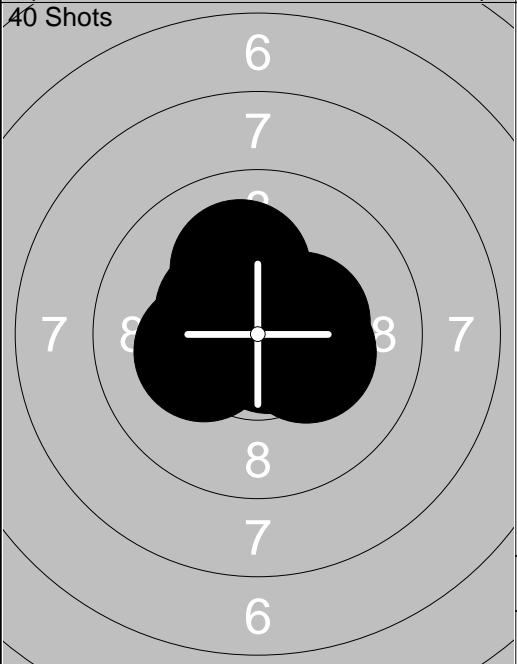
1:	*10.2 ↘
2:	*10.6 ↓
3:	*10.5 →
4:	*10.3 ↘
5:	*10.4 ↑
6:	*10.6 ↘
Series	60.0
Total	0.0



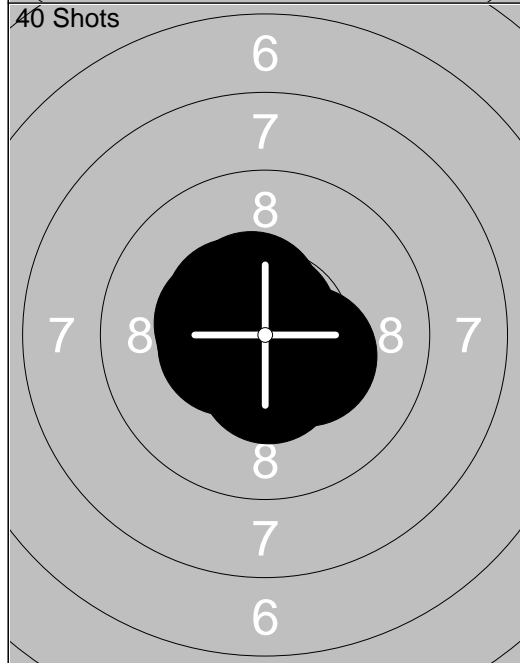
1:	*10.8 ↗
2:	*10.8 ↘
3:	*10.7 ↗
4:	*10.5 ↑
5:	*10.6 ↗
6:	*10.7 ↑
7:	*10.8 ↗
8:	*10.4 ↘
9:	9.8 ←
10:	*10.5 ↘
Series	99.0
Total	99.0



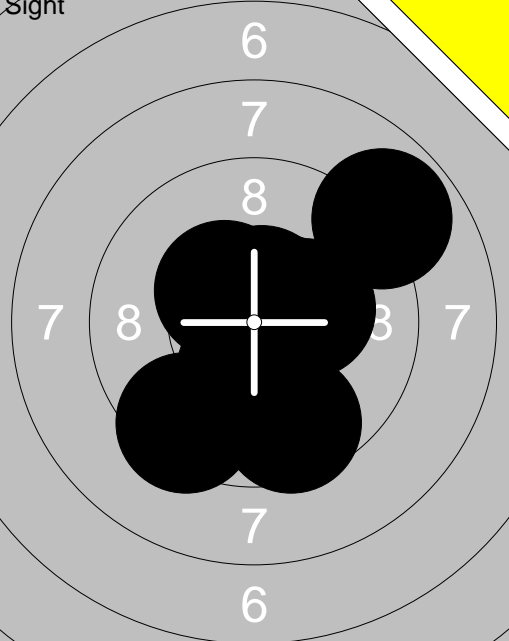
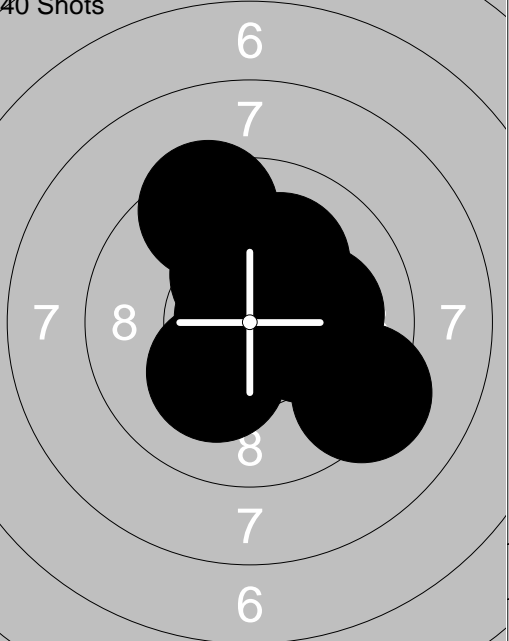
11:	10.1 ↘
12:	*10.3 ↗
13:	*10.6 ↘
14:	*10.7 ↘
15:	*10.9 ↘
16:	*10.7 →
17:	*10.4 ↑
18:	*10.6 ↘
19:	*10.5 ↑
20:	*10.2 ↗
Series	100.0
Total	199.0






21:	*10.3 →
22:	*10.6 ↗
23:	*10.6 →
24:	10.1 ↑
25:	*10.4 →
26:	*10.2 ↘
27:	*10.8 ↘
28:	*10.7 ↘
29:	*10.8 ↑
30:	*10.4 ↘
Series	100.0
Total	299.0

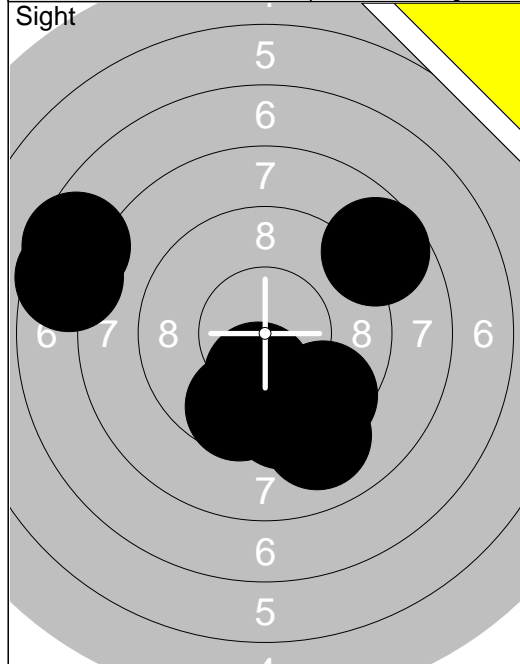


31:	*10.5 ↘
32:	*10.5 ←
33:	*10.5 ↘
34:	*10.4 →
35:	*10.8 ↘
36:	*10.5 ↓
37:	*10.8 ↑
38:	*10.5 ←
39:	*10.4 ←
40:	*10.4 ↘
Series	100.0
Total	399.0

<p>Sight</p> 	<p>1: *10.6 ↗</p> <p>2: 9.6 ↓</p> <p>3: *10.3 ↓</p> <p>4: 9.4 ↓</p> <p>5: *10.4 ↖</p> <p>6: *10.3 →</p> <p>7: 8.9 ↗</p> <p>8: *10.5 ↗</p>	<p>40 Shots</p> 		<p>1: *10.9 ↖</p> <p>2: *10.3 ↗</p> <p>3: 9.3 →</p> <p>4: *10.2 →</p> <p>5: *10.2 ↗</p> <p>6: *10.5 ↗</p> <p>7: 9.4 ↗</p> <p>8: 10.1 ↗</p> <p>9: *10.2 ↓</p> <p>10: 10.1 →</p>	
Series 76.0				Series 98.0	
Total 0.0				Total 98.0	

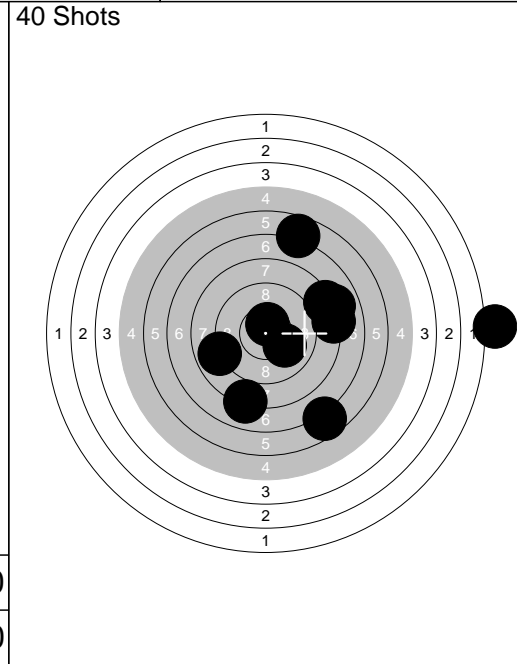
<p>40 Shots</p> 	<p>11: *10.6 ↓</p> <p>12: *10.2 ↗</p> <p>13: 9.7 ↗</p> <p>14: 10.0 ↖</p> <p>15: 9.7 ↑</p> <p>16: *10.6 ↗</p> <p>17: *10.3 ↘</p> <p>18: *10.8 →</p> <p>19: 9.9 ↖</p> <p>20: 10.1 ←</p>	<p>40 Shots</p> 		<p>21: 9.5 ↖</p> <p>22: *10.3 ↘</p> <p>23: *10.6 ↘</p> <p>24: 10.1 ↗</p> <p>25: *10.3 →</p> <p>26: *10.8 ↗</p> <p>27: *10.3 ↖</p> <p>28: *10.5 ↓</p> <p>29: *10.2 ↓</p> <p>30: 10.1 ↖</p>	
Series 97.0				Series 99.0	
Total 195.0				Total 294.0	

<p>40 Shots</p> 	<p>31: 9.4 →</p> <p>32: 9.9 ↗</p> <p>33: 9.8 ←</p> <p>34: *10.2 ↖</p> <p>35: 9.6 ↗</p> <p>36: 9.6 ↑</p> <p>37: 10.1 ←</p> <p>38: *10.3 →</p> <p>39: 9.1 ↑</p> <p>40: 9.8 ↖</p>			
Series 93.0				
Total 387.0				



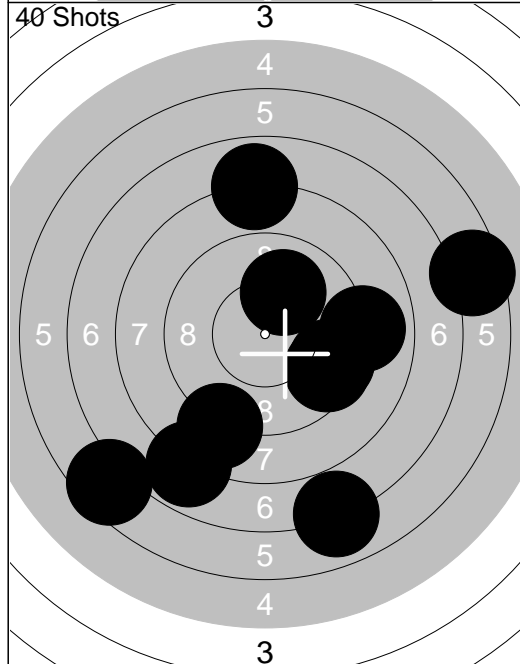
40 Shots

1:	8.7	↗
2:	7.6	↖
3:	9.1	↘
4:	9.6	↘
5:	9.5	↘
6:	9.7	↘
7:	*10.2	↘
8:	7.5	↖
<hr/>		
Series	68.0	
Total	0.0	



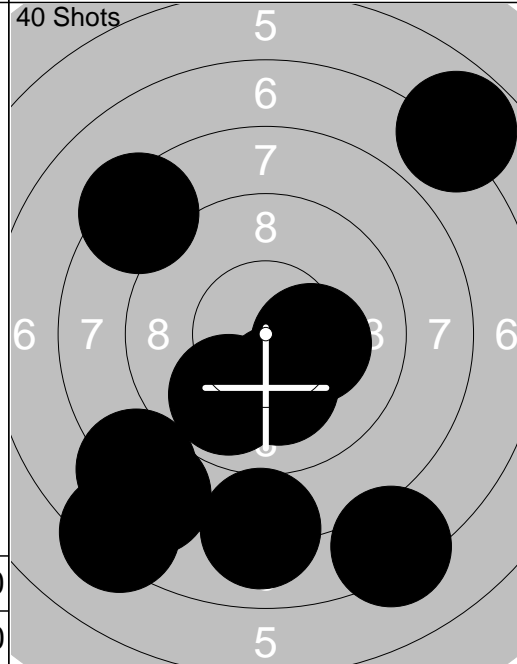
40 Shots

1:	*10.6	↗
2:	6.7	↗
3:	10.0	↘
4:	8.9	↖
5:	6.6	↘
6:	7.9	↗
7:	8.1	↗
8:	8.1	↗
9:	8.0	↘
10:	1.4	↗
<hr/>		
Series	72.0	
Total	72.0	



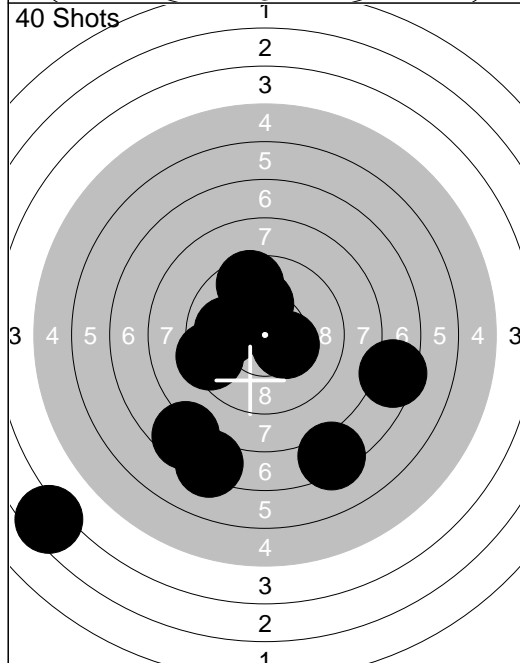
40 Shots

11:	9.5	↗
12:	8.9	↗
13:	10.0	↗
14:	6.5	↖
15:	8.8	↘
16:	6.5	↗
17:	6.9	↘
18:	7.8	↘
19:	7.9	↗
20:	9.5	↘
<hr/>		
Series	76.0	
Total	148.0	



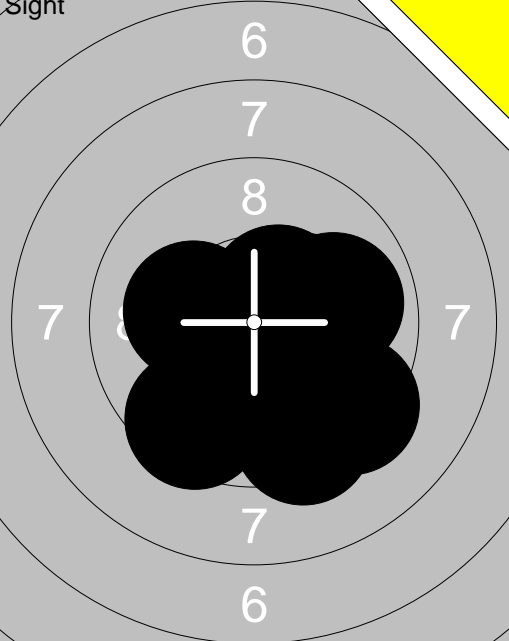
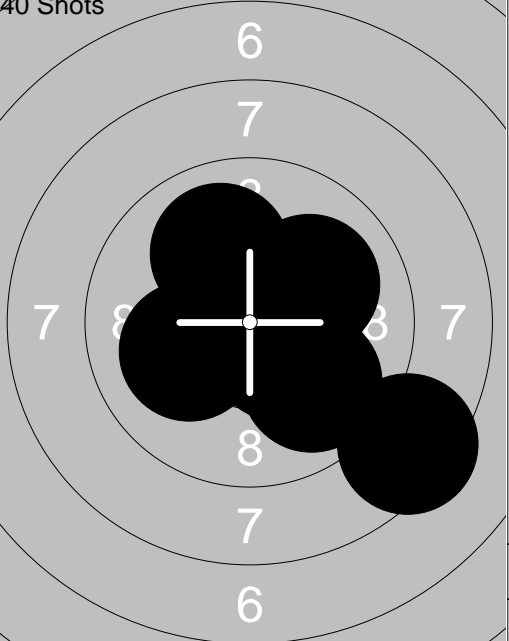
40 Shots

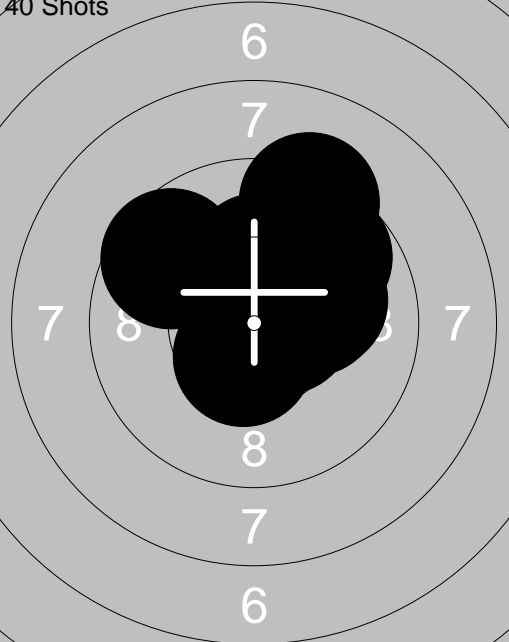

21:	9.9	↘
22:	7.3	↘
23:	7.3	↖
24:	8.1	↘
25:	*10.3	↘
26:	8.0	↖
27:	8.2	↖
28:	6.8	↗
29:	*10.2	↘
30:	8.3	↖
<hr/>		
Series	81.0	
Total	229.0	




40 Shots

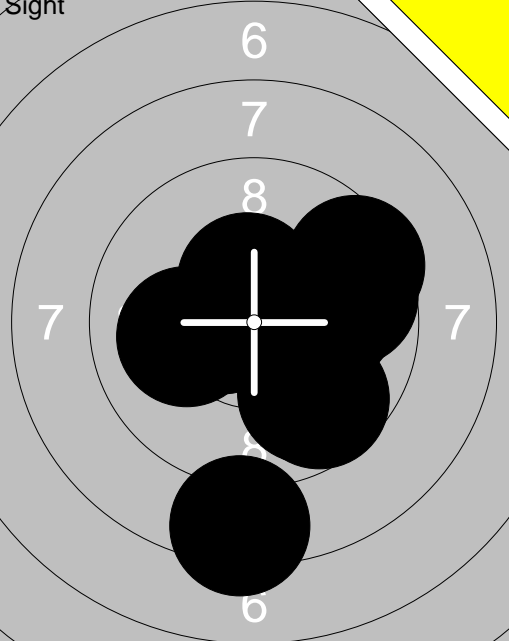
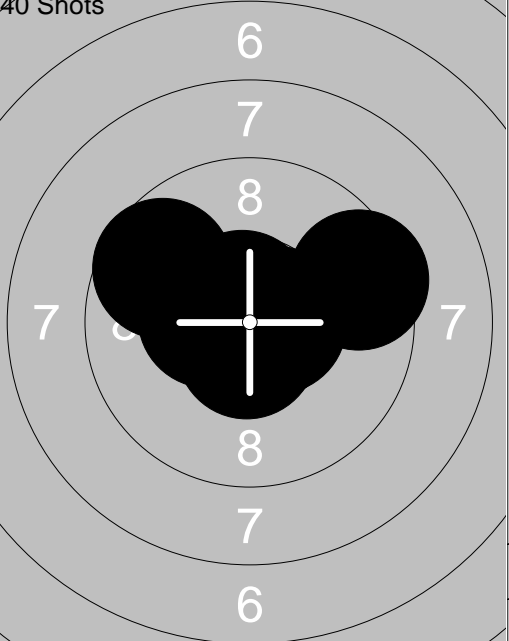
31:	7.4	↗
32:	9.6	↗
33:	3.4	↖
34:	7.2	↘
35:	10.0	↖
36:	*10.3	↘
37:	9.4	↖
38:	7.3	↘
39:	7.6	↖
40:	10.1	↗
<hr/>		
Series	79.0	
Total	308.0	


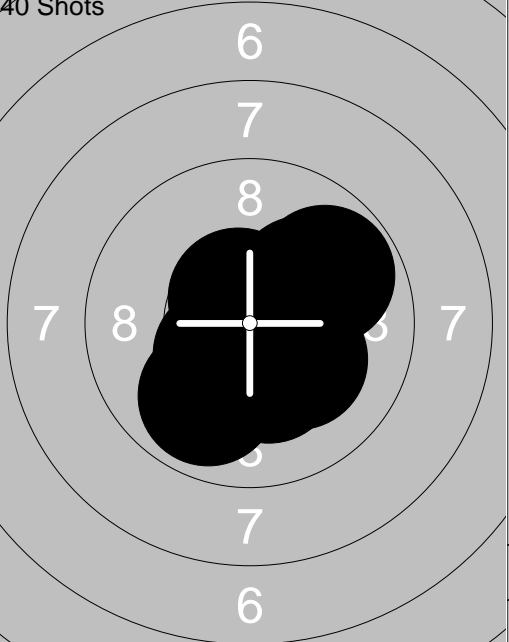
Sight		1: 9.3 ↘	40 Shots		1: 10.0 ↗
		2: 9.5 ↓		2: 10.1 ↙	
		3: 9.4 ↓		3: *10.4 ↘	
		4: *10.3 →		4: *10.6 ↗	
		5: *10.4 →		5: 8.4 ↘	
		6: 10.0 →		6: *10.6 ↙	
		7: 9.9 →		7: 10.0 ↗	
		8: *10.4 ↓		8: *10.4 →	
		9: *10.2 ↙		9: 9.9 ↘	
		10: *10.5 ↗		10: *10.5 ↗	
		Series 96.0		Series 97.0	
		Total 0.0		Total 97.0	

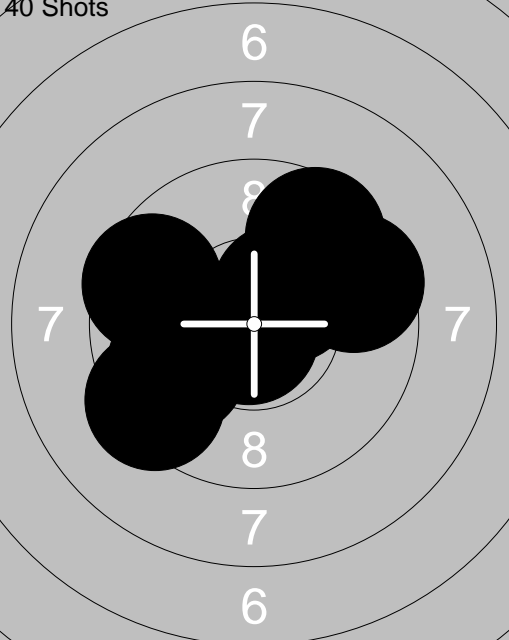
40 Shots		11: *10.6 →	40 Shots		21: *10.4 ↙
		12: 9.6 ↙		22: *10.5 →	
		13: *10.2 ↑		23: 9.9 ↑	
		14: 9.7 ↗		24: *10.7 ↗	
		15: 9.7 ↗		25: *10.4 →	
		16: *10.4 ↗		26: 9.2 →	
		17: *10.5 ↓		27: *10.4 ↓	
		18: *10.2 →		28: 9.6 ↑	
		19: 10.1 →		29: *10.2 →	
		20: 9.3 ↑		30: 9.9 ↓	
		Series 96.0		Series 96.0	
		Total 193.0		Total 289.0	

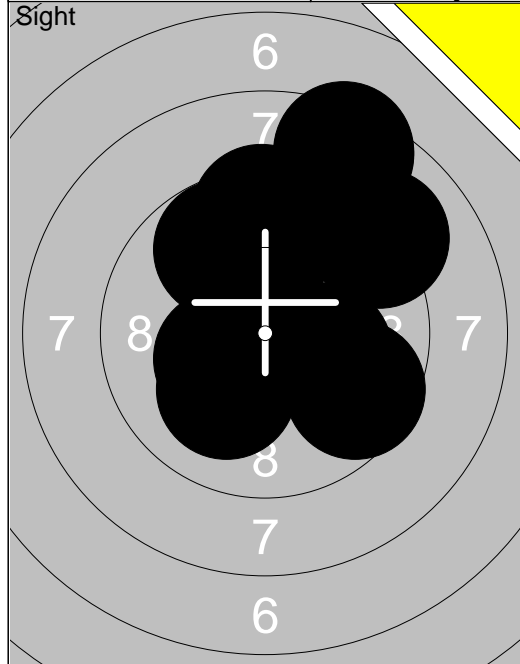
40 Shots		31: *10.6 ↗	
		32: *10.7 ↙	
		33: 9.9 →	
		34: *10.3 ↘	
		35: *10.3 →	
		36: 9.0 ↓	
		37: *10.5 →	
		38: *10.2 ↘	
		39: 8.5 →	
		40: 9.8 →	
		Series 95.0	
		Total 384.0	



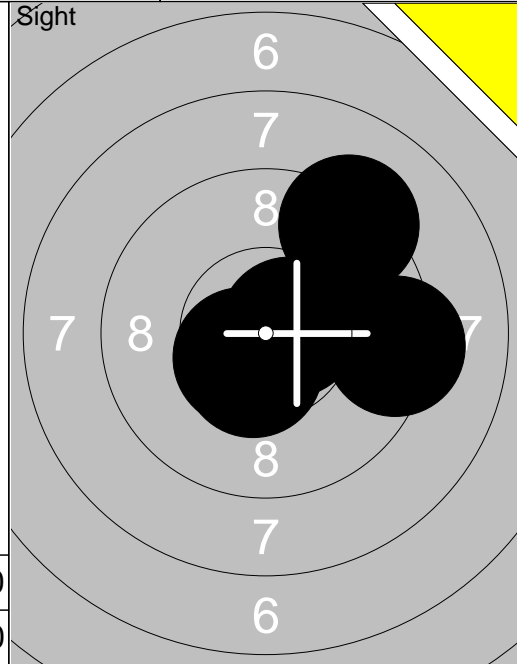
<p>Sight</p> 	<p>40 Shots</p> 	<p>1: 8.3 ↓</p> <p>2: 9.8 ↓</p> <p>3: 9.5 →</p> <p>4: 9.7 ↓</p> <p>5: 10.0 →</p> <p>6: *10.4 ↑</p> <p>7: 10.1 ←</p> <p>8: 9.7 →</p> <p>9: *10.5 ←</p> <p>10: *10.5 →</p> <hr/> <p>Series 94.0</p> <p>Total 0.0</p>	<p>1: 9.5 →</p> <p>2: *10.6 →</p> <p>3: *10.6 →</p> <p>4: *10.7 →</p> <p>5: *10.7 →</p> <p>6: *10.7 ↑</p> <p>7: *10.4 ←</p> <p>8: 9.6 ↖</p> <p>9: *10.7 ↑</p> <p>10: *10.6 ↓</p> <hr/> <p>Series 98.0</p> <p>Total 98.0</p>
---	--	--	---

<p>40 Shots</p> 	<p>40 Shots</p> 	<p>11: *10.6 ↖</p> <p>12: 9.8 ←</p> <p>13: *10.3 ↖</p> <p>14: 9.5 ↑</p> <p>15: 10.1 ←</p> <p>16: 10.0 →</p> <p>17: *10.4 ↑</p> <p>18: 9.9 ↖</p> <p>19: *10.6 →</p> <p>20: 10.1 ↓</p> <hr/> <p>Series 97.0</p> <p>Total 195.0</p>	<p>21: *10.4 ↖</p> <p>22: *10.6 ↖</p> <p>23: *10.9 ↓</p> <p>24: *10.2 ↘</p> <p>25: *10.3 ↓</p> <p>26: 10.1 →</p> <p>27: *10.6 ↓</p> <p>28: 9.8 →</p> <p>29: 9.9 ↓</p> <p>30: *10.5 →</p> <hr/> <p>Series 98.0</p> <p>Total 293.0</p>
---	---	--	--

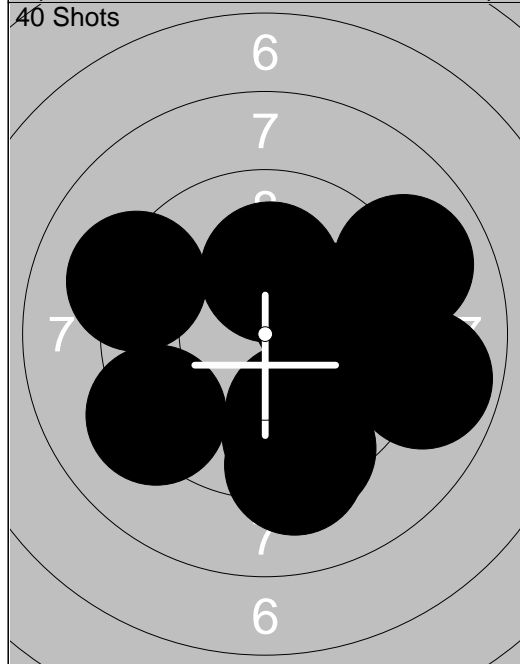
<p>40 Shots</p> 	<p>31: *10.4 ↗</p> <p>32: 9.6 →</p> <p>33: *10.4 ←</p> <p>34: 9.4 ↖</p> <p>35: 9.8 ↖</p> <p>36: *10.4 ↗</p> <p>37: 9.6 ↗</p> <p>38: *10.8 ↓</p> <p>39: *10.8 ↖</p> <p>40: 9.6 ↖</p> <hr/> <p>Series 95.0</p> <p>Total 388.0</p>		
--	---	--	--



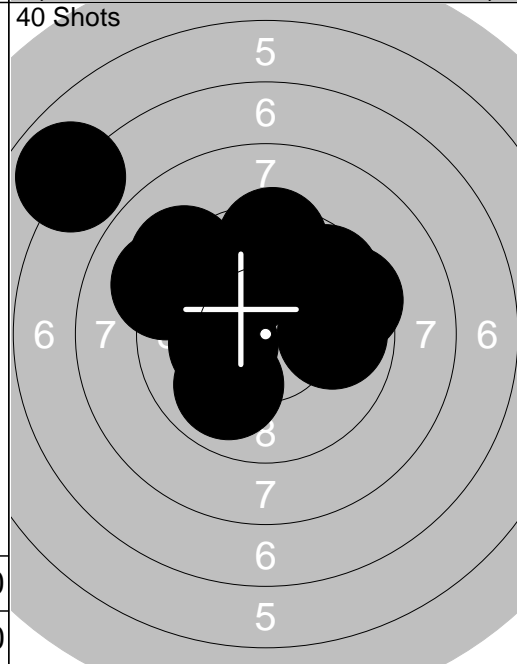
1: *10.2
2: 9.4 ↑
3: 8.4 ↑
4: 9.1 ↗
5: 9.8 ↑
6: *10.3 ↘
7: 10.1 ↑
8: 10.1 ↘
9: 9.6 →
10: 8.5 ↑
Series 92.0
Total 0.0



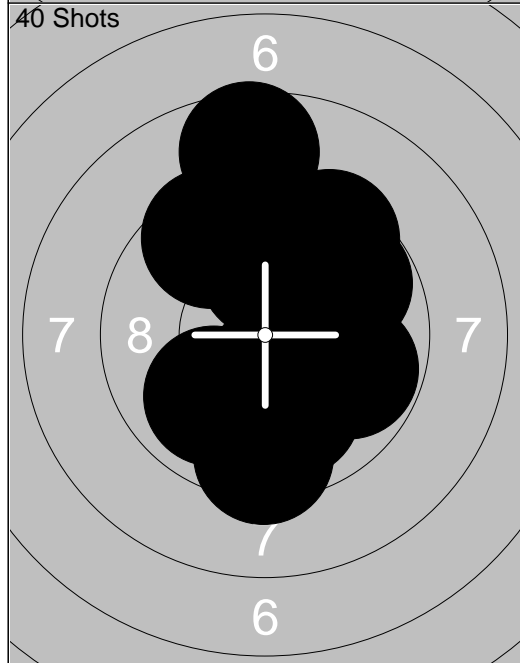
11: *10.6
12: 9.3 →
13: *10.5 ↘
14: 9.2 ↗
15: *10.5 ↘
Series 48.0
Total 0.0



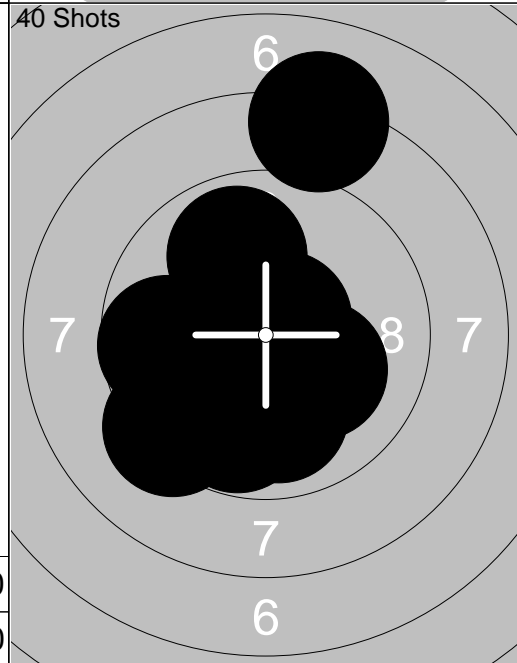
1: *10.2
2: 8.9 →
3: 9.2 ↖
4: *10.2 ↑
5: 9.4 ↓
6: 9.6 ↓
7: 9.2 ↖
8: 9.0 ↗
9: 9.9 ↓
10: 9.2 ↓
Series 91.0
Total 91.0




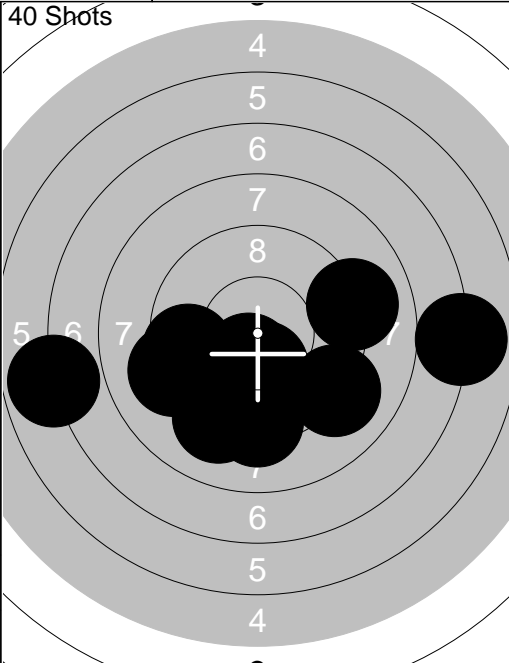
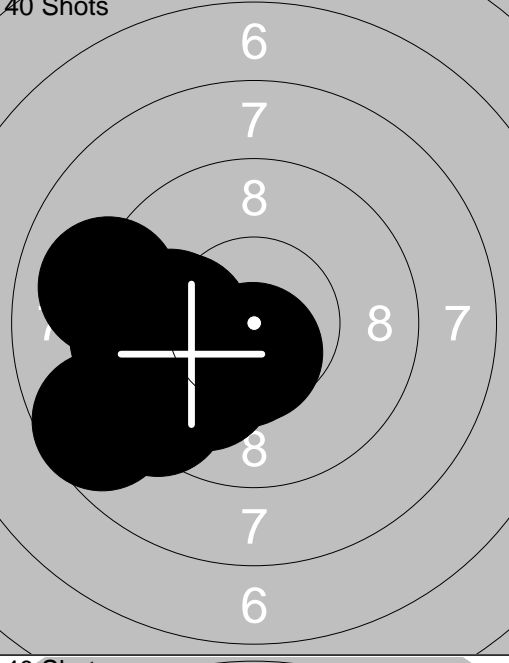
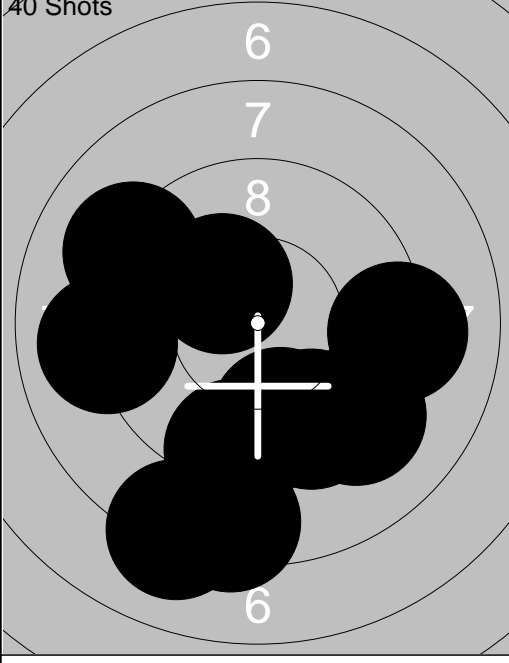
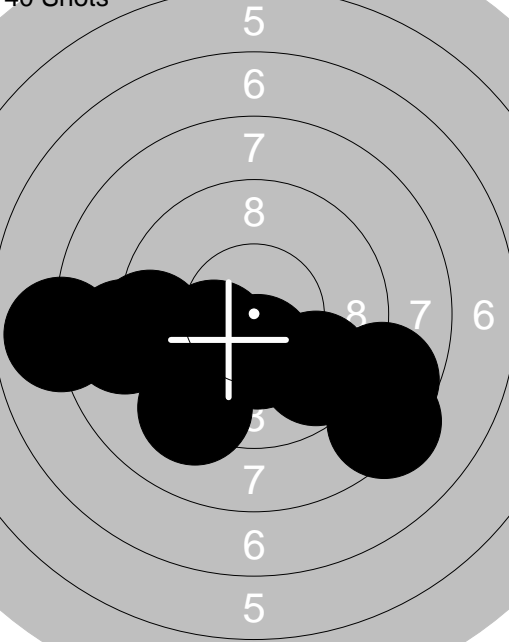
11: 9.9 →
12: 9.5 →
13: 10.0 ↖
14: 9.6 ↗
15: *10.2 ↘
16: 9.9 ↘
17: 9.2 ↖
18: 9.1 ↖
19: 6.9 ↖
20: 9.5 ↑
Series 89.0
Total 180.0

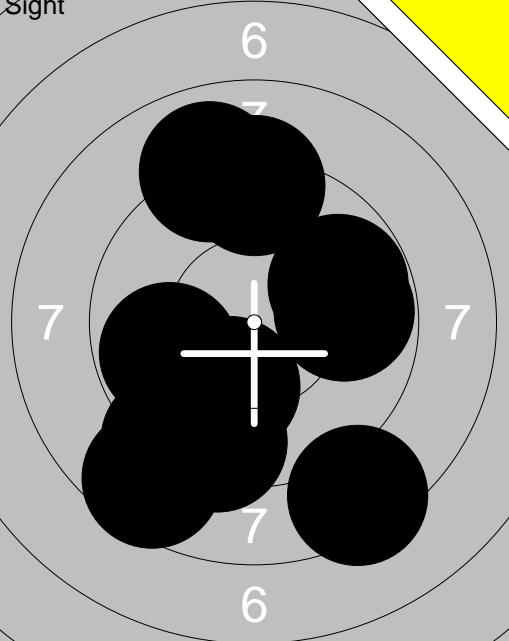
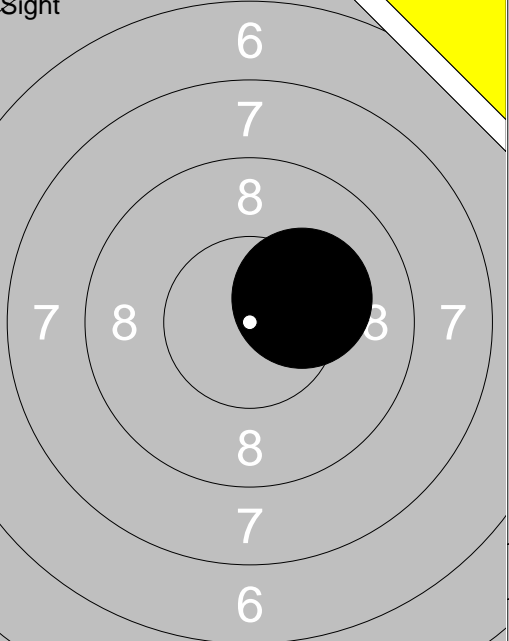


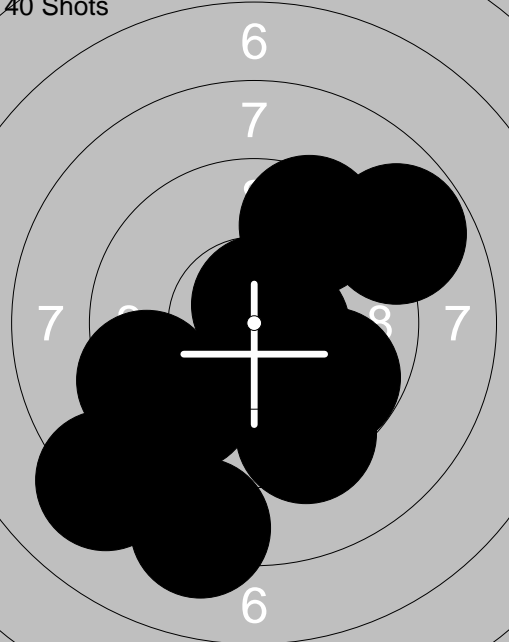
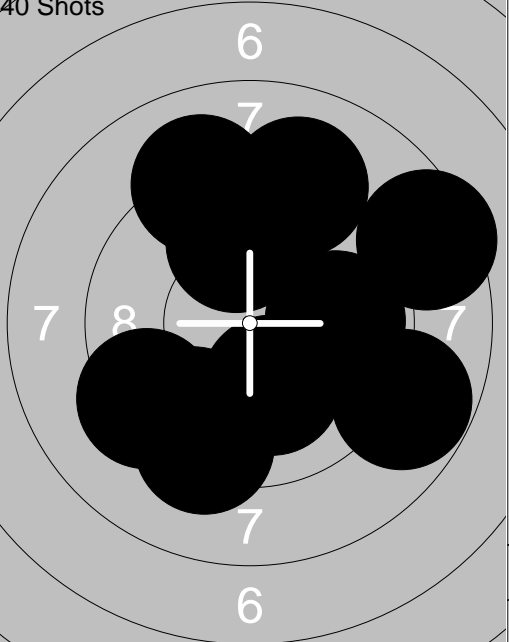
21: 9.8 →
22: 10.0 ↓
23: 9.8 ↗
24: *10.5 ↘
25: 10.1 ↑
26: 9.5 ↗
27: 9.5 ↖
28: 8.6 ↑
29: 9.4 ↓
30: 9.9 ↘
Series 92.0
Total 272.0

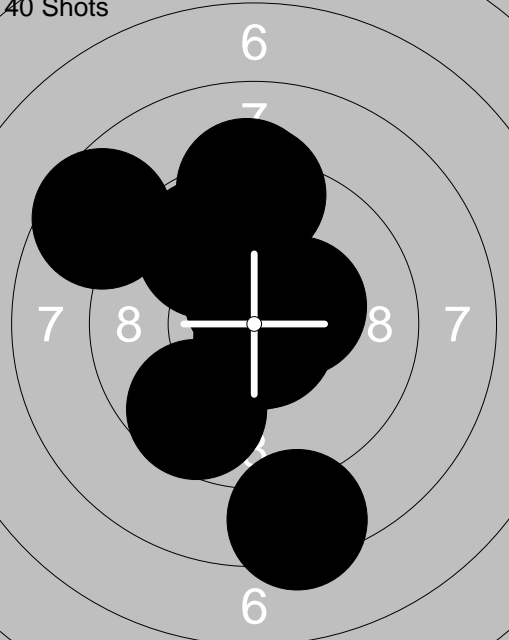
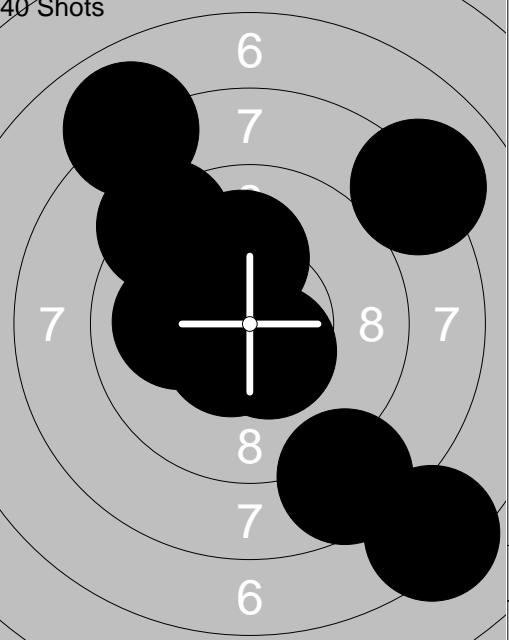


31: 9.3 ↘
32: *10.4 ↘
33: 9.9 ↓
34: 9.7 ←
35: 10.1 ↖
36: *10.2 ↘
37: 9.8 ↓
38: 8.1 ↑
39: *10.7 ↗
40: 9.9 ↖
Series 93.0
Total 365.0

Relay	Lane	Linnea Lontto	
10m	Ramselefors	7	Vb
03.11.2013	Vindelnskyttet 2013	Ramselefors SKF	
Sight		1: 9.3 → 2: 8.3 ← 3: *10.3↓ 4: 7.3 ← 5: *10.5↘ 6: 10.0← 7: 9.4 ← 8: 9.0 ← 9: 9.8 →	40 Shots  1: 6.9 ← 2: 9.0 → 3: 9.6 ← 4: 9.1 ↘ 5: *10.3↓ 6: *10.4↓ 7: 7.0 → 8: 9.2 ← 9: 9.2 ↓ 10: 9.1 ↓
		Series 81.0	Series 87.0
		Total 0.0	Total 87.0
40 Shots		11: *10.6↓ 12: 9.9 ← 13: *10.5↓ 14: 10.0← 15: 9.5 ← 16: 9.3 ← 17: 10.0↓ 18: 9.0 ← 19: 9.9 ← 20: 8.6 ←	40 Shots  21: 8.1 ↓ 22: 9.0 ← 23: 8.4 ↓ 24: 9.2 → 25: 9.1 ↖ 26: *10.3↘ 27: 9.7 ↓ 28: 9.5 ↓ 29: 9.3 ↓ 30: 9.2 ↘
		Series 93.0	Series 89.0
		Total 180.0	Total 269.0
40 Shots		31: 8.7 → 32: *10.4↓ 33: *10.2↘ 34: 9.2 ↓ 35: 9.3 ← 36: 7.9 ← 37: 9.7 ↘ 38: 8.9 ← 39: 8.3 ↘ 40: 9.5 ←	
		Series 87.0	
		Total 356.0	

<p>Sight</p> 	<p>1: 8.4 ↘ 2: 9.1 ↘ 3: 8.6 ↘ 4: 10.1 ↘ 5: 9.4 ↘ 6: 9.8 ← 7: 8.9 ↑ 8: 9.2 ↑ 9: 9.8 → 10: 9.8 →</p> <p>Series 88.0 Total 0.0</p>	<p>Sight</p> 	<p>11: *10.2 →</p> <p>Series 10.0 Total 0.0</p>
---	---	---	---

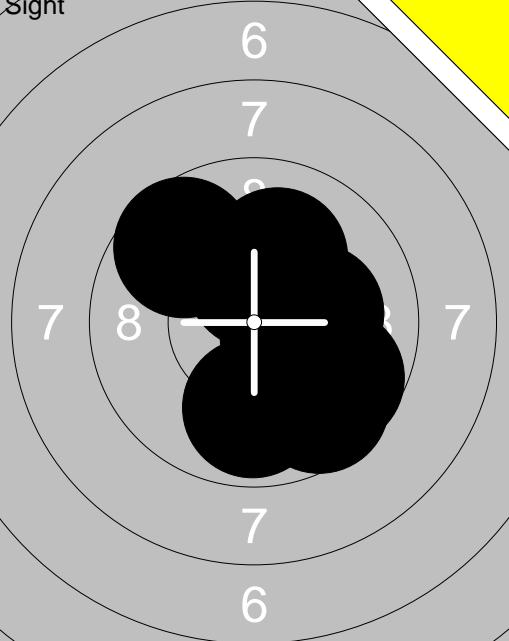
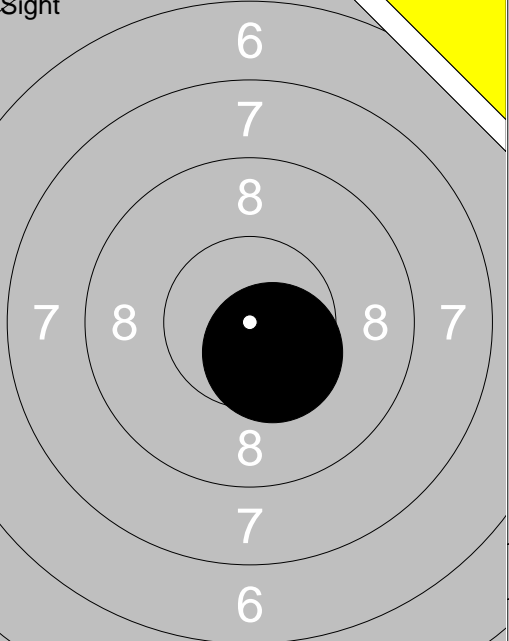
<p>40 Shots</p> 	<p>1: 9.5 ↗ 2: 8.8 → 3: 9.6 ↘ 4: 8.2 ↘ 5: 8.2 ↘ 6: *10.7 ↑ 7: *10.6 → 8: 9.4 ↘ 9: 9.8 ↘ 10: 9.4 ←</p> <p>Series 89.0 Total 89.0</p>	<p>40 Shots</p> 	<p>11: 9.1 ↖ 12: 9.1 ↑ 13: 9.9 ↑ 14: 8.5 → 15: 9.3 ↖ 16: 9.9 → 17: 8.8 → 18: 9.6 ↘ 19: 10.1 ↘ 20: 9.3 ↘</p> <p>Series 89.0 Total 178.0</p>
---	---	---	--

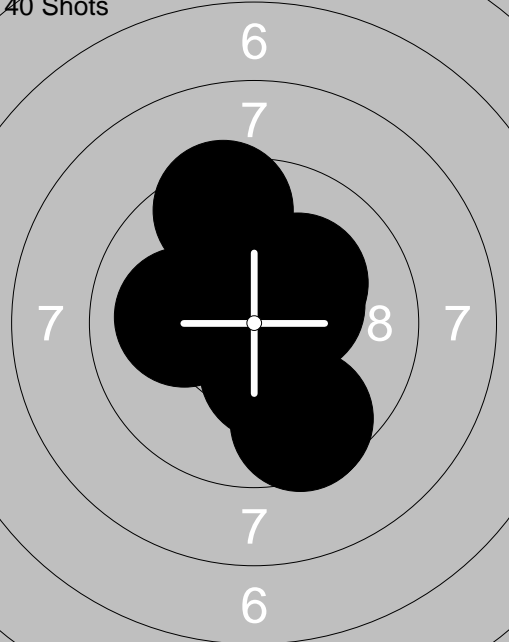

<p>40 Shots</p> 	<p>21: 9.6 ↘ 22: *10.6 ↑ 23: 9.3 ↑ 24: 8.6 ↖ 25: *10.7 ↘ 26: 9.8 ↑ 27: *10.4 → 28: 8.4 ↘ 29: 9.8 ↑ 30: 9.2 ↑</p> <p>Series 91.0 Total 269.0</p>	<p>40 Shots</p> 	<p>31: *10.5 ↘ 32: 10.1 ↑ 33: 10.0 ← 34: *10.5 ↘ 35: 7.9 ↑ 36: 10.1 ↖ 37: 7.3 ↘ 38: 8.6 ↘ 39: 9.2 ↖ 40: 8.1 →</p> <p>Series 89.0 Total 358.0</p>
--	---	--	--

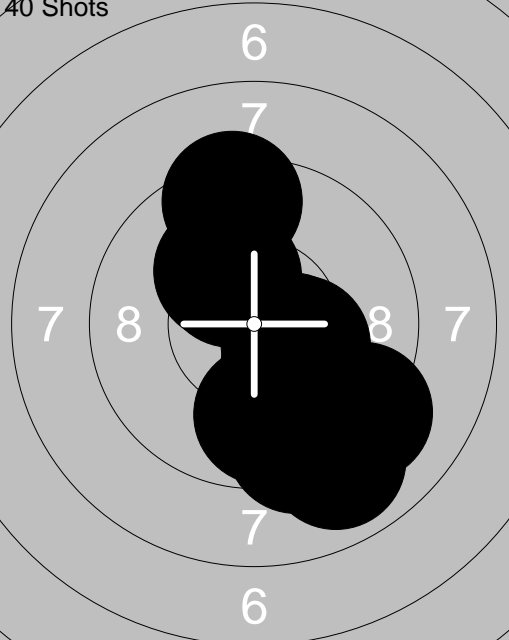
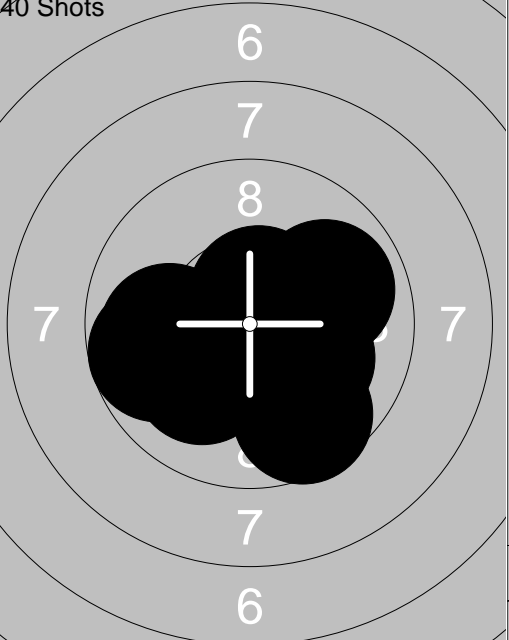
<p>Sight</p>	<p>Sight</p>
--------------	--------------

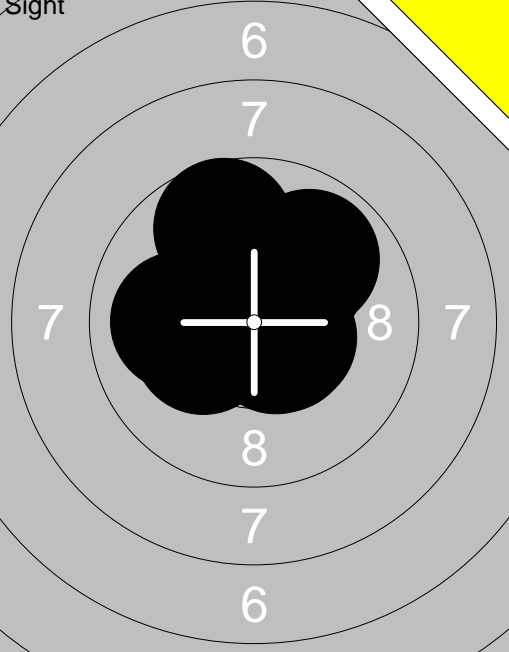
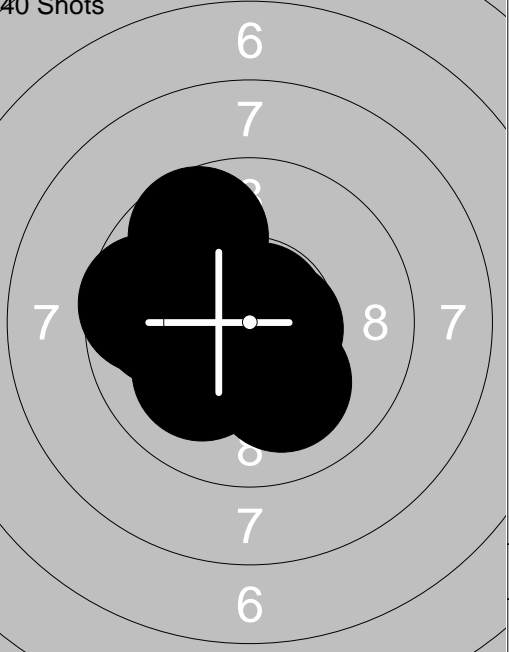
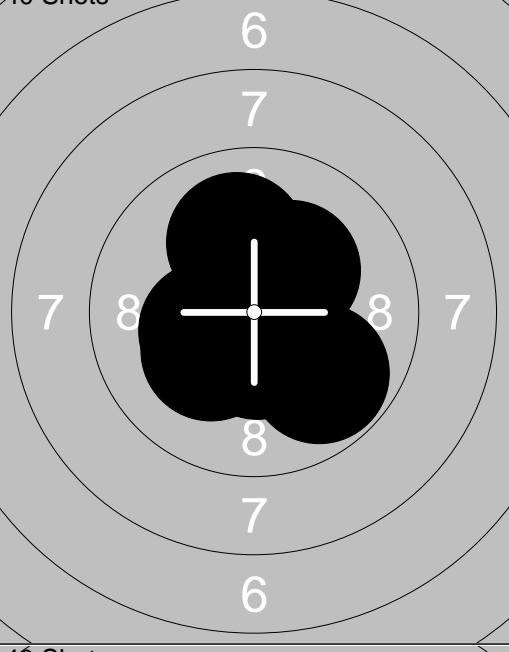

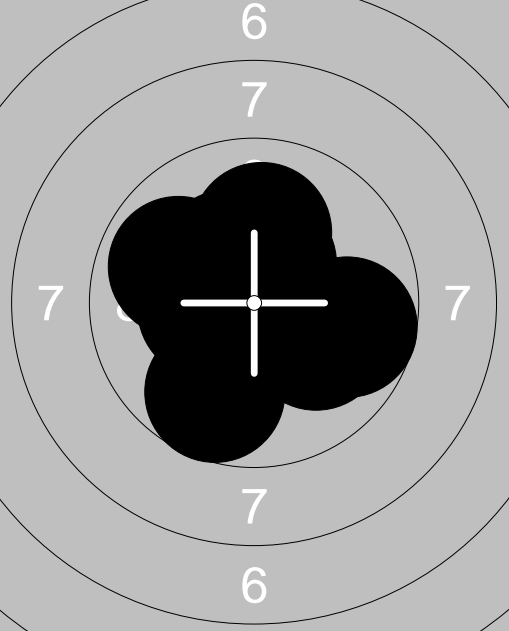
<p>40 Shots</p>	<p>40 Shots</p>
-----------------	-----------------

<p>40 Shots</p>	<p>40 Shots</p>
-----------------	-----------------

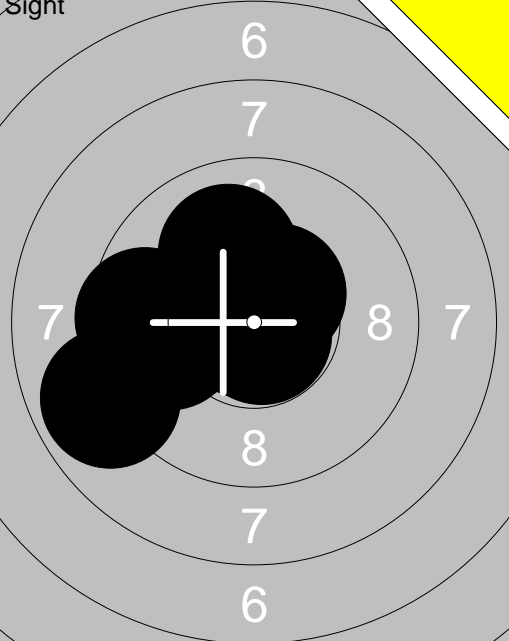
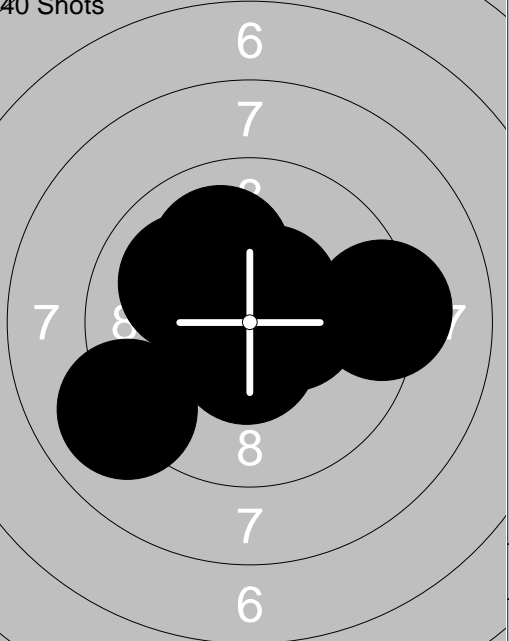
<p>Sight</p> 	<p>1: *10.4 →</p> <p>2: 9.7 →</p> <p>3: 10.1 ↘</p> <p>4: *10.2 →</p> <p>5: 9.9 ↓</p> <p>6: 10.1 ↑</p> <p>7: 9.6 ↘</p> <p>8: 10.1 ↘</p> <p>9: 9.6 ↗</p> <p>10: *10.4 ↑</p>	<p>Sight</p>  <p>11: *10.5 ↘</p>
Series 96.0		Series 10.0
Total 0.0		Total 0.0


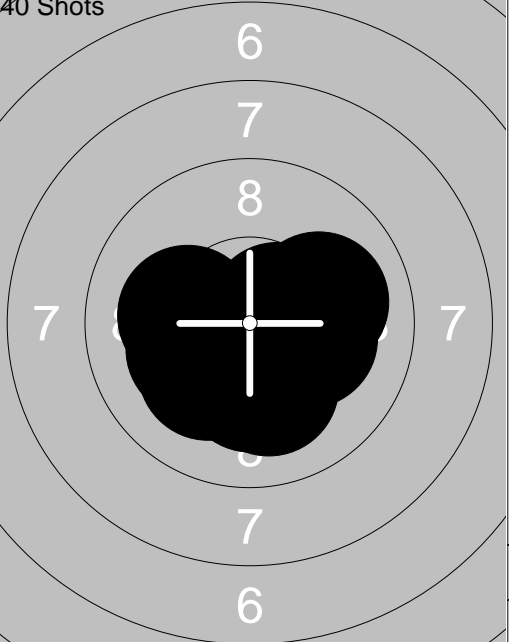
<p>40 Shots</p> 	<p>1: *10.6 →</p> <p>2: *10.5 ↘</p> <p>3: *10.5 ↘</p> <p>4: *10.2 ↗</p> <p>5: 9.5 ↑</p> <p>6: 9.6 ↓</p> <p>7: 9.6 ↓</p> <p>8: *10.3 ↘</p> <p>9: 10.1 ←</p> <p>10: *10.4 →</p>	<p>40 Shots</p>  <p>11: *10.3 ↘</p> <p>12: 9.2 ↓</p> <p>13: *10.2 ↘</p> <p>14: 9.5 →</p> <p>15: *10.2 ↗</p> <p>16: 10.1 →</p> <p>17: *10.5 →</p> <p>18: 10.1 ↗</p> <p>19: 9.1 →</p> <p>20: *10.5 ↘</p>
Series 97.0		Series 97.0
Total 97.0		Total 194.0


<p>40 Shots</p> 	<p>21: *10.2 ↘</p> <p>22: *10.3 ↘</p> <p>23: 9.4 ↑</p> <p>24: *10.3 →</p> <p>25: 9.3 ↓</p> <p>26: *10.4 →</p> <p>27: 9.2 ↘</p> <p>28: *10.2 ↘</p> <p>29: 9.8 ↓</p> <p>30: 8.9 ↘</p>	<p>40 Shots</p>  <p>31: *10.5 ↘</p> <p>32: 10.1 ↘</p> <p>33: *10.2 ↘</p> <p>34: *10.6 ↑</p> <p>35: *10.6 ↘</p> <p>36: 9.7 ←</p> <p>37: 9.9 →</p> <p>38: 9.6 ↓</p> <p>39: 9.9 ←</p> <p>40: 10.1 ↘</p>
Series 94.0		Series 96.0
Total 288.0		Total 384.0

Relay	Lane	Robin Persson			
1	33	Ramselefors		11	Vb
03.11.2013	Vindelnskyttet 2013	Ramselefors SKF			
Sight		1: *10.6 ↘ 2: 9.9 ↗ 3: *10.6 ↑ 4: *10.5 → 5: *10.2 ↘ 6: 9.7 ↑ 7: *10.3 ↑ 8: *10.2 ↗ 9: *10.5 ↘ 10: 10.0 ←	40 Shots		1: 9.9 ← 2: 10.1 ↓ 3: *10.5 ↘ 4: *10.6 → 5: 10.1 ↘ 6: 9.7 ↗ 7: *10.8 ↗ 8: 10.1 ← 9: 9.6 ← 10: 9.8 ←
		Series 98.0		Series 96.0	
		Total 0.0		Total 96.0	
40 Shots		11: *10.2 ↗ 12: 10.0 ↑ 13: *10.5 ↓ 14: *10.6 ↑ 15: *10.3 ↘ 16: *10.8 ↑ 17: 9.8 ↓ 18: *10.6 ↓ 19: *10.2 ↘ 20: *10.6 ↑	40 Shots		21: *10.4 ↓ 22: *10.6 ↘ 23: *10.5 ↑ 24: *10.3 ↓ 25: *10.6 ← 26: *10.9 → 27: 10.1 → 28: *10.6 ↗ 29: *10.9 ↓ 30: *10.5 ↑
		Series 99.0		Series 100.0	
		Total 195.0		Total 295.0	
40 Shots		31: 9.7 → 32: *10.4 ↑ 33: *10.8 → 34: *10.3 ↗ 35: 10.1 ↑ 36: 10.1 → 37: 10.0 ↘ 38: 9.9 ← 39: 9.7 ↓ 40: *10.4 ←			
		Series 97.0			
		Total 392.0			



Sight		1: 8.9 ←	40 Shots		1: *10.4→
		2: 9.8 ←			2: *10.6←
		3: 10.0 ↑			3: *10.5↓
		4: 9.6 ←			4: 10.1 ↖
		5: *10.8↓			5: *10.7↗
		6: *10.5↗			6: *10.5↗
		7: *10.8↘			7: 9.3 →
					8: 9.0 ↙
					9: 10.0 ↖
					10: 10.0 ↗
		Series 66.0			Series 98.0
		Total 0.0			Total 98.0

40 Shots		11: *10.6↙	40 Shots		21: *10.2↘
		12: *10.8→			
		13: *10.2↗			23: *10.5↓
		14: *10.4↓			24: 10.0→
		15: *10.6↑			25: 10.1 ↓
		16: *10.7↘			26: *10.2→
		17: *10.3↖			27: *10.2↓
		18: 9.8 ↗			28: *10.2↖
		19: *10.8↗			29: *10.7↘
		20: *10.9↓			30: *10.2↖
		Series 99.0			Series 100.0
		Total 197.0			Total 297.0

40 Shots		31: *10.5↗			
		32: *10.5↖			
		33: *10.3→			
		34: *10.3↘			
		35: *10.7↘			
		36: *10.6→			
		37: *10.5↘			
		38: *10.7↖			
		39: *10.5↖			
		40: 9.9 →			
		Series 99.0			
		Total 396.0			

<p>Sight</p>	<p>1: 9.8 ↓ 2: *10.5→ 3: *10.7→ 4: *10.6→ 5: 10.1 ↓ 6: 10.1 ↓ 7: 9.9 → 8: *10.3↓ 9: 9.7 ↓ 10: 10.1←</p> <p>Series 97.0 Total 0.0</p>	<p>Sight</p>	<p>11: *10.4↘ 12: *10.7↖ 13: 9.5 ↓ 14: 10.0 ↓ 15: *10.4↓</p> <p>Series 49.0 Total 0.0</p>
--------------	--	--------------	---

<p>40 Shots</p>	<p>1: *10.2↓ 2: 9.8 ↓ 3: 9.5 → 4: *10.4↓ 5: *10.3→ 6: 9.8 → 7: 10.1 ↑ 8: *10.3→ 9: *10.6→ 10: *10.4→</p> <p>Series 97.0 Total 97.0</p>	<p>40 Shots</p>	<p>11: *10.9↓ 12: *10.3→ 13: *10.6↖ 14: 10.1→ 15: *10.2→ 16: *10.6↑ 17: *10.7↑ 18: *10.6↓ 19: *10.4↓ 20: *10.4→</p> <p>Series 100.0 Total 197.0</p>
-----------------	--	-----------------	---

<p>40 Shots</p>	<p>21: *10.2↓ 22: *10.4↘ 23: 8.6 → 24: *10.7↓ 25: *10.6↘ 26: *10.6↑ 27: 9.7 ↗ 28: *10.7↘ 29: *10.2↘ 30: *10.6↖</p> <p>Series 97.0 Total 294.0</p>	<p>40 Shots</p>	<p>31: *10.4↓ 32: *10.4→ 33: *10.3→ 34: *10.6↖ 35: *10.6→ 36: *10.7↖ 37: *10.4→ 38: *10.4↗ 39: *10.5↑ 40: 9.8 →</p> <p>Series 99.0 Total 393.0</p>
-----------------	---	-----------------	--

<p>Sight</p>	<p>1: *10.9↘ 2: *10.5↘ 3: *10.6↗ 4: *10.5↘ 5: *10.3↘ 6: *10.6↔ 7: *10.5↘ 8: *10.3↘ 9: *10.9↔ 10: *10.6↓</p> <p>Series 100.0 Total 0.0</p>	<p>Sight</p>	<p>11: *10.2↘ 12: *10.6↔ 13: *10.4↗ 14: *10.6↔ 15: *10.5↘ 16: *10.4↗ 17: *10.6↗</p> <p>Series 70.0 Total 0.0</p>
--------------	---	--------------	--

<p>40 Shots</p>	<p>1: *10.7↘ 2: *10.4↔ 3: *10.9↗ 4: *10.8↓ 5: *10.6↗ 6: *10.8↔ 7: *10.6↗ 8: *10.6↔ 9: *10.4↗ 10: *10.5→</p> <p>Series 100.0 Total 100.0</p>	<p>40 Shots</p>	<p>11: *10.6↗ 12: *10.6↔ 13: *10.6↘ 14: *10.4↗ 15: *10.7→ 16: *10.3↗ 17: *10.9↓ 18: *10.8↓ 19: *10.7↓ 20: *10.9→</p> <p>Series 100.0 Total 200.0</p>
-----------------	---	-----------------	--

<p>40 Shots</p>	<p>21: *10.7→ 22: *10.8↗ 23: *10.6↗ 24: *10.8↘ 25: *10.2↗ 26: *10.5↘ 27: *10.6↘ 28: *10.5↘ 29: *10.6↔ 30: *10.8↓</p> <p>Series 100.0 Total 300.0</p>	<p>40 Shots</p>	<p>31: *10.4↓ 32: *10.4↗ 33: *10.6→ 34: *10.8↘ 35: *10.6↔ 36: *10.3↓ 37: *10.4↓ 38: 10.1→ 39: *10.3↗ 40: *10.5↗</p> <p>Series 100.0 Total 400.0</p>
-----------------	--	-----------------	---

<p>Sight</p>	<p>Sight</p>	<table style="width:100%; border-collapse: collapse;"> <tr><td>1: 8.9 ↑</td><td>11: *10.2 ↘</td></tr> <tr><td>2: 8.4 ↙</td><td>12: 9.9 ↗</td></tr> <tr><td>3: 9.0 ↗</td><td>13: 9.4 ↙</td></tr> <tr><td>4: 9.4 ↗</td><td>14: 10.1 ←</td></tr> <tr><td>5: 8.7 ↘</td><td>15: *10.3 ↘</td></tr> <tr><td>6: 9.0 ↗</td><td>16: 9.8 ↗</td></tr> <tr><td>7: *10.5 ↘</td><td>17: 10.1 ↗</td></tr> <tr><td>8: 9.2 ←</td><td></td></tr> <tr><td>9: 9.4 ↙</td><td></td></tr> <tr><td>10: *10.8 →</td><td></td></tr> <tr><td><b>Series 89.0</b></td><td><b>Series 67.0</b></td></tr> <tr><td><b>Total 0.0</b></td><td><b>Total 0.0</b></td></tr> </table>	1: 8.9 ↑	11: *10.2 ↘	2: 8.4 ↙	12: 9.9 ↗	3: 9.0 ↗	13: 9.4 ↙	4: 9.4 ↗	14: 10.1 ←	5: 8.7 ↘	15: *10.3 ↘	6: 9.0 ↗	16: 9.8 ↗	7: *10.5 ↘	17: 10.1 ↗	8: 9.2 ←		9: 9.4 ↙		10: *10.8 →		<b>Series 89.0</b>	<b>Series 67.0</b>	<b>Total 0.0</b>	<b>Total 0.0</b>
1: 8.9 ↑	11: *10.2 ↘																									
2: 8.4 ↙	12: 9.9 ↗																									
3: 9.0 ↗	13: 9.4 ↙																									
4: 9.4 ↗	14: 10.1 ←																									
5: 8.7 ↘	15: *10.3 ↘																									
6: 9.0 ↗	16: 9.8 ↗																									
7: *10.5 ↘	17: 10.1 ↗																									
8: 9.2 ←																										
9: 9.4 ↙																										
10: *10.8 →																										
<b>Series 89.0</b>	<b>Series 67.0</b>																									
<b>Total 0.0</b>	<b>Total 0.0</b>																									

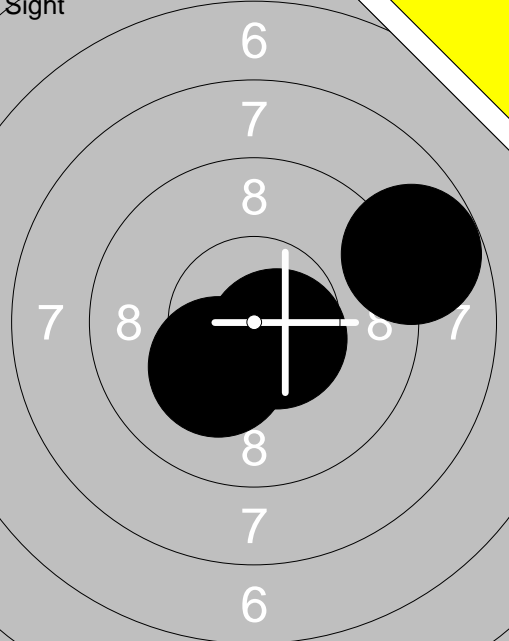
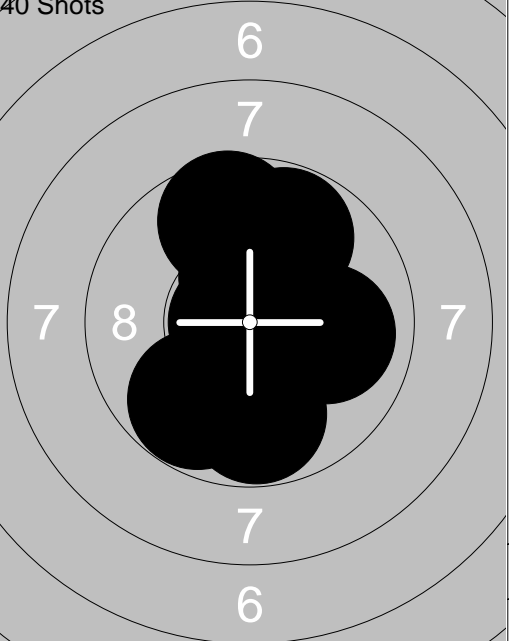
<p>40 Shots</p>	<p>40 Shots</p>	<table style="width:100%; border-collapse: collapse;"> <tr><td>1: *10.4 ←</td><td>11: 9.6 ↙</td></tr> <tr><td>2: 10.1 ↗</td><td>12: 9.8 ↘</td></tr> <tr><td>3: 9.4 ←</td><td>13: 10.1 →</td></tr> <tr><td>4: 9.8 ←</td><td>14: *10.2 →</td></tr> <tr><td>5: 9.8 ↗</td><td>15: *10.6 ↙</td></tr> <tr><td>6: 9.9 ↗</td><td>16: *10.3 ↙</td></tr> <tr><td>7: 9.4 →</td><td>17: 9.6 ←</td></tr> <tr><td>8: 9.3 ←</td><td>18: 9.9 ↙</td></tr> <tr><td>9: *10.7 ↘</td><td>19: *10.5 ↙</td></tr> <tr><td>10: 10.0 →</td><td>20: *10.4 ↙</td></tr> <tr><td><b>Series 94.0</b></td><td><b>Series 96.0</b></td></tr> <tr><td><b>Total 94.0</b></td><td><b>Total 190.0</b></td></tr> </table>	1: *10.4 ←	11: 9.6 ↙	2: 10.1 ↗	12: 9.8 ↘	3: 9.4 ←	13: 10.1 →	4: 9.8 ←	14: *10.2 →	5: 9.8 ↗	15: *10.6 ↙	6: 9.9 ↗	16: *10.3 ↙	7: 9.4 →	17: 9.6 ←	8: 9.3 ←	18: 9.9 ↙	9: *10.7 ↘	19: *10.5 ↙	10: 10.0 →	20: *10.4 ↙	<b>Series 94.0</b>	<b>Series 96.0</b>	<b>Total 94.0</b>	<b>Total 190.0</b>
1: *10.4 ←	11: 9.6 ↙																									
2: 10.1 ↗	12: 9.8 ↘																									
3: 9.4 ←	13: 10.1 →																									
4: 9.8 ←	14: *10.2 →																									
5: 9.8 ↗	15: *10.6 ↙																									
6: 9.9 ↗	16: *10.3 ↙																									
7: 9.4 →	17: 9.6 ←																									
8: 9.3 ←	18: 9.9 ↙																									
9: *10.7 ↘	19: *10.5 ↙																									
10: 10.0 →	20: *10.4 ↙																									
<b>Series 94.0</b>	<b>Series 96.0</b>																									
<b>Total 94.0</b>	<b>Total 190.0</b>																									

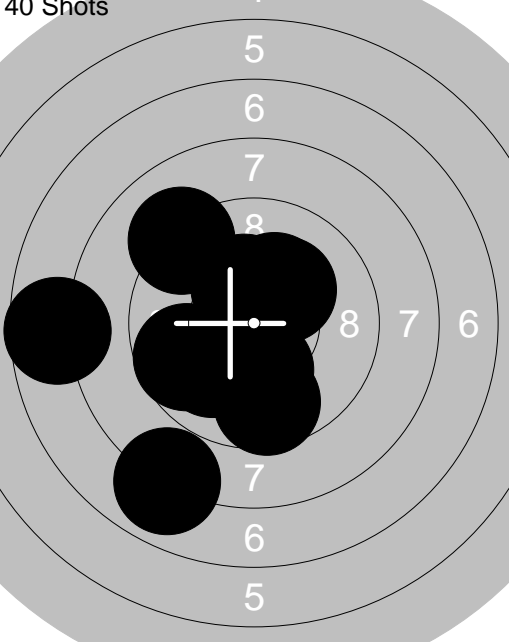
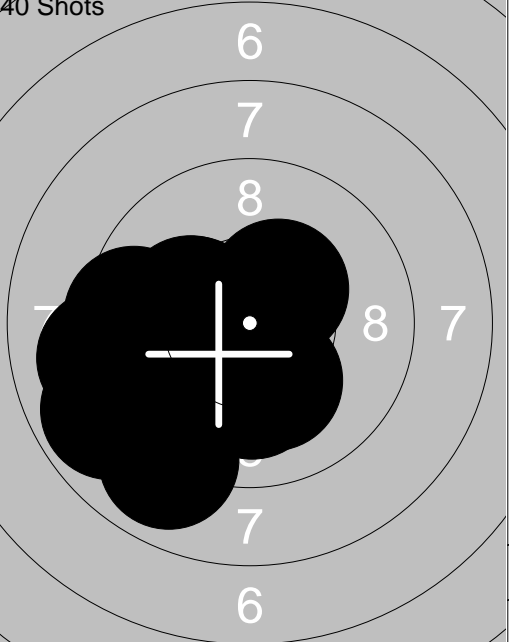
<p>40 Shots</p>	<p>40 Shots</p>	<table style="width:100%; border-collapse: collapse;"> <tr><td>21: 9.4 ↘</td><td>31: 9.7 ↙</td></tr> <tr><td>22: 8.7 ←</td><td>32: 10.1 ←</td></tr> <tr><td>23: 9.9 ↙</td><td>33: *10.9 ↗</td></tr> <tr><td>24: *10.4 ↘</td><td>34: *10.7 ↘</td></tr> <tr><td>25: *10.4 ↘</td><td>35: *10.4 ↗</td></tr> <tr><td>26: *10.2 ↘</td><td>36: 9.3 ↙</td></tr> <tr><td>27: 9.6 ↘</td><td>37: 10.1 ←</td></tr> <tr><td>28: 9.9 ←</td><td>38: *10.3 ↙</td></tr> <tr><td>29: 9.3 ↘</td><td>39: *10.7 ↘</td></tr> <tr><td>30: *10.3 →</td><td>40: *10.8 ↘</td></tr> <tr><td><b>Series 93.0</b></td><td><b>Series 98.0</b></td></tr> <tr><td><b>Total 283.0</b></td><td><b>Total 381.0</b></td></tr> </table>	21: 9.4 ↘	31: 9.7 ↙	22: 8.7 ←	32: 10.1 ←	23: 9.9 ↙	33: *10.9 ↗	24: *10.4 ↘	34: *10.7 ↘	25: *10.4 ↘	35: *10.4 ↗	26: *10.2 ↘	36: 9.3 ↙	27: 9.6 ↘	37: 10.1 ←	28: 9.9 ←	38: *10.3 ↙	29: 9.3 ↘	39: *10.7 ↘	30: *10.3 →	40: *10.8 ↘	<b>Series 93.0</b>	<b>Series 98.0</b>	<b>Total 283.0</b>	<b>Total 381.0</b>
21: 9.4 ↘	31: 9.7 ↙																									
22: 8.7 ←	32: 10.1 ←																									
23: 9.9 ↙	33: *10.9 ↗																									
24: *10.4 ↘	34: *10.7 ↘																									
25: *10.4 ↘	35: *10.4 ↗																									
26: *10.2 ↘	36: 9.3 ↙																									
27: 9.6 ↘	37: 10.1 ←																									
28: 9.9 ←	38: *10.3 ↙																									
29: 9.3 ↘	39: *10.7 ↘																									
30: *10.3 →	40: *10.8 ↘																									
<b>Series 93.0</b>	<b>Series 98.0</b>																									
<b>Total 283.0</b>	<b>Total 381.0</b>																									

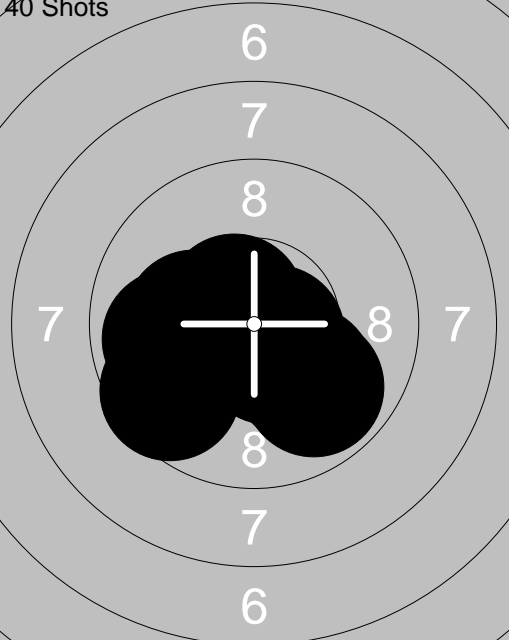
Relay	Lane	Carl Bergling		
1	40			

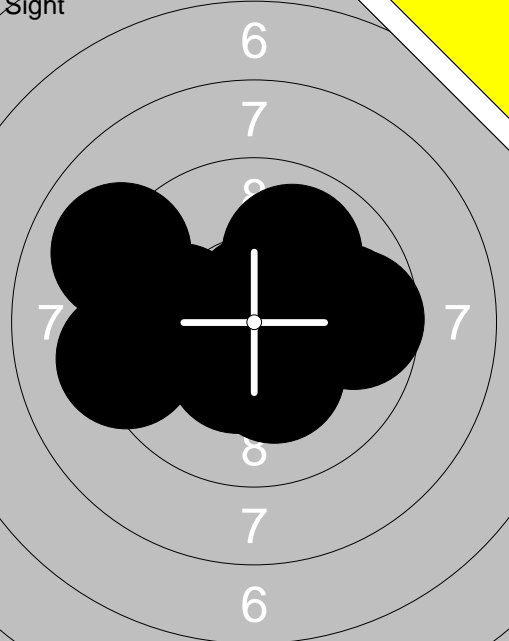
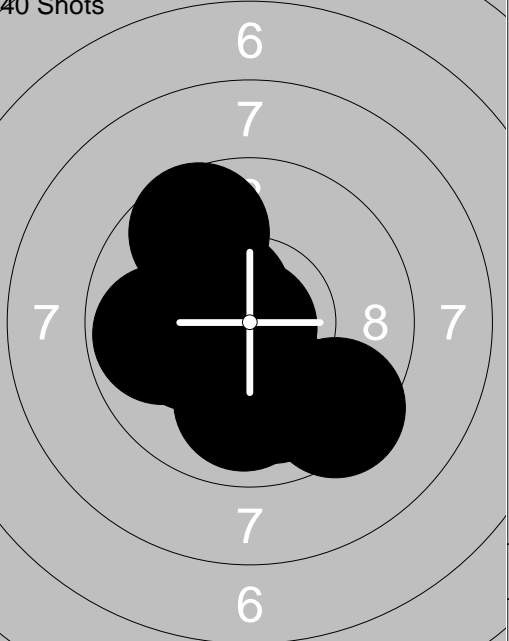
10m	Umeå	13	Vb
-----	------	----	----

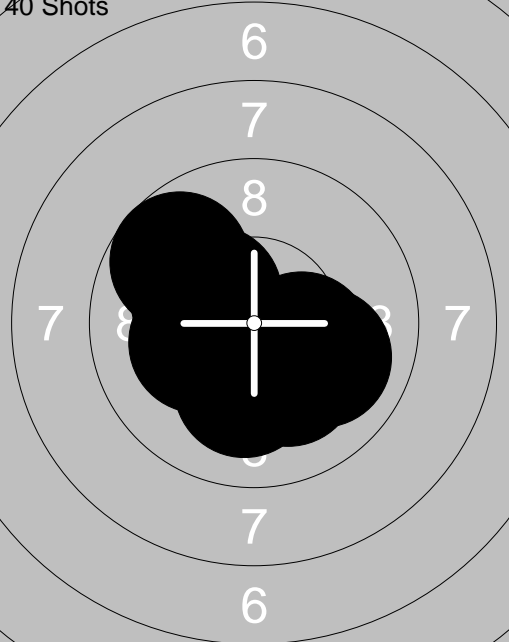

03.11.2013	Vindelnskyttet 2013	Ramselefors SKF
------------	---------------------	-----------------


Sight		1: 8.8 →	40 Shots		1: 10.0 →
		2: *10.6 ↘			2: *10.4 ↓
		3: *10.2 ↘			3: 9.8 ↓
					4: *10.8 ↖
					5: 9.8 ↙
					6: 10.1 ↓
					7: *10.7 ↗
					8: 9.6 ↑
					9: 9.8 ↗
					10: *10.4 ↗
		Series 28.0		Series 96.0	
		Total 0.0		Total 96.0	

40 Shots		11: 10.0 ↙	40 Shots		21: *10.3 ↘
		12: *10.2 ↗			22: 9.5 ←
		13: *10.2 ↓		23: *10.2 ↖	
		14: 7.9 ↙		24: *10.2 ↓	
		15: 9.1 ↖		25: *10.4 ↗	
		16: *10.2 ↗		26: 9.1 ←	
		17: 9.6 ↓		27: *10.2 ↖	
		18: 9.7 ←		28: 8.9 ↙	
		19: 7.6 ←		29: 8.9 ↙	
		20: *10.3 ↗		30: 10.1 ↓	
		Series 91.0		Series 94.0	
		Total 187.0		Total 281.0	

40 Shots		31: *10.3 ↖			
		32: 9.6 ↙			
		33: *10.3 ↖			
		34: 9.9 ←			
		35: 10.0 ↓			
		36: 9.8 ↙			
		37: *10.7 ↘			
		38: *10.5 ↓			
		39: *10.6 ↖			
		40: *10.2 ↖			
		Series 97.0			
		Total 378.0			

<p>Sight</p> 	<p>40 Shots</p> 	<table style="width:100%; border-collapse: collapse;"> <tr><td>1: 9.7 →</td><td>1: 10.0 ↓</td></tr> <tr><td>2: 10.0 ↗</td><td>2: 9.8 ←</td></tr> <tr><td>3: *10.3 ↓</td><td>3: *10.9 ↓</td></tr> <tr><td>4: 10.0 ←</td><td>4: *10.5 ↘</td></tr> <tr><td>5: *10.4 ↓</td><td>5: *10.2 ↘</td></tr> <tr><td>6: 9.0 ↖</td><td>6: 9.6 ↗</td></tr> <tr><td>7: 9.3 ←</td><td>7: *10.6 ↓</td></tr> <tr><td>8: *10.7 ↑</td><td>8: *10.2 ←</td></tr> <tr><td>9: 10.0 ←</td><td>9: 9.4 ↓</td></tr> <tr><td>10: 9.8 →</td><td>10: 9.9 ↓</td></tr> <tr><td colspan="2" style="border-top: 1px solid black;">Series 96.0</td></tr> <tr><td colspan="2" style="border-top: 1px solid black;">Total 0.0</td></tr> </table>	1: 9.7 →	1: 10.0 ↓	2: 10.0 ↗	2: 9.8 ←	3: *10.3 ↓	3: *10.9 ↓	4: 10.0 ←	4: *10.5 ↘	5: *10.4 ↓	5: *10.2 ↘	6: 9.0 ↖	6: 9.6 ↗	7: 9.3 ←	7: *10.6 ↓	8: *10.7 ↑	8: *10.2 ←	9: 10.0 ←	9: 9.4 ↓	10: 9.8 →	10: 9.9 ↓	Series 96.0		Total 0.0	
1: 9.7 →	1: 10.0 ↓																									
2: 10.0 ↗	2: 9.8 ←																									
3: *10.3 ↓	3: *10.9 ↓																									
4: 10.0 ←	4: *10.5 ↘																									
5: *10.4 ↓	5: *10.2 ↘																									
6: 9.0 ↖	6: 9.6 ↗																									
7: 9.3 ←	7: *10.6 ↓																									
8: *10.7 ↑	8: *10.2 ←																									
9: 10.0 ←	9: 9.4 ↓																									
10: 9.8 →	10: 9.9 ↓																									
Series 96.0																										
Total 0.0																										

<p>40 Shots</p> 	<p>40 Shots</p> 	<table style="width:100%; border-collapse: collapse;"> <tr><td>11: *10.3 ↘</td><td>21: 9.9 ↑</td></tr> <tr><td>12: *10.2 ↘</td><td>22: 9.2 →</td></tr> <tr><td>13: *10.3 →</td><td>23: *10.3 →</td></tr> <tr><td>14: 10.0 →</td><td>24: 9.7 ↓</td></tr> <tr><td>15: 10.1 ↓</td><td>25: *10.4 →</td></tr> <tr><td>16: 10.1 ↓</td><td>26: *10.3 →</td></tr> <tr><td>17: *10.3 ↓</td><td>27: 9.1 →</td></tr> <tr><td>18: 9.7 ↖</td><td>28: 9.7 ←</td></tr> <tr><td>19: *10.2 ↘</td><td>29: 9.8 ↖</td></tr> <tr><td>20: *10.2 ↘</td><td>30: 9.1 ←</td></tr> <tr><td colspan="2" style="border-top: 1px solid black;">Series 99.0</td><td style="border-top: 1px solid black;">Series 93.0</td></tr> <tr><td colspan="2" style="border-top: 1px solid black;">Total 195.0</td><td style="border-top: 1px solid black;">Total 288.0</td></tr> </table>	11: *10.3 ↘	21: 9.9 ↑	12: *10.2 ↘	22: 9.2 →	13: *10.3 →	23: *10.3 →	14: 10.0 →	24: 9.7 ↓	15: 10.1 ↓	25: *10.4 →	16: 10.1 ↓	26: *10.3 →	17: *10.3 ↓	27: 9.1 →	18: 9.7 ↖	28: 9.7 ←	19: *10.2 ↘	29: 9.8 ↖	20: *10.2 ↘	30: 9.1 ←	Series 99.0		Series 93.0	Total 195.0		Total 288.0
11: *10.3 ↘	21: 9.9 ↑																											
12: *10.2 ↘	22: 9.2 →																											
13: *10.3 →	23: *10.3 →																											
14: 10.0 →	24: 9.7 ↓																											
15: 10.1 ↓	25: *10.4 →																											
16: 10.1 ↓	26: *10.3 →																											
17: *10.3 ↓	27: 9.1 →																											
18: 9.7 ↖	28: 9.7 ←																											
19: *10.2 ↘	29: 9.8 ↖																											
20: *10.2 ↘	30: 9.1 ←																											
Series 99.0		Series 93.0																										
Total 195.0		Total 288.0																										

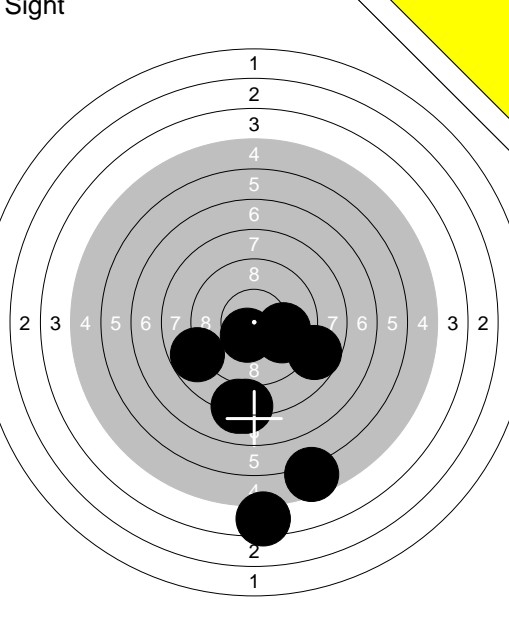
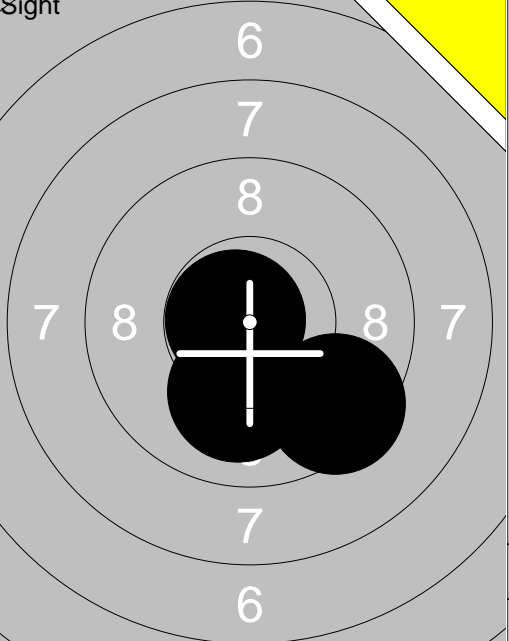
<p>40 Shots</p> 	<table style="width:100%; border-collapse: collapse;"> <tr><td>31: *10.5 ↘</td></tr> <tr><td>32: *10.3 ↓</td></tr> <tr><td>33: 9.7 ↓</td></tr> <tr><td>34: *10.4 →</td></tr> <tr><td>35: 9.7 →</td></tr> <tr><td>36: *10.9 ↑</td></tr> <tr><td>37: 9.9 ←</td></tr> <tr><td>38: 9.9 ←</td></tr> <tr><td>39: *10.5 →</td></tr> <tr><td>40: *10.5 ↗</td></tr> <tr><td colspan="2" style="border-top: 1px solid black;">Series 96.0</td></tr> <tr><td colspan="2" style="border-top: 1px solid black;">Total 384.0</td></tr> </table>	31: *10.5 ↘	32: *10.3 ↓	33: 9.7 ↓	34: *10.4 →	35: 9.7 →	36: *10.9 ↑	37: 9.9 ←	38: 9.9 ←	39: *10.5 →	40: *10.5 ↗	Series 96.0		Total 384.0		
31: *10.5 ↘																
32: *10.3 ↓																
33: 9.7 ↓																
34: *10.4 →																
35: 9.7 →																
36: *10.9 ↑																
37: 9.9 ←																
38: 9.9 ←																
39: *10.5 →																
40: *10.5 ↗																
Series 96.0																
Total 384.0																

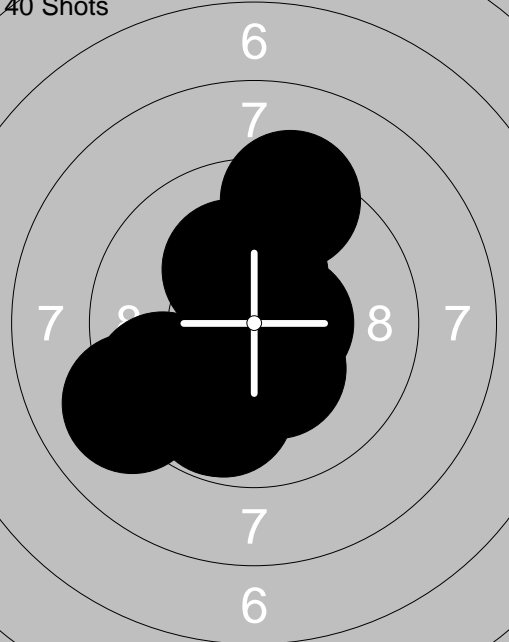
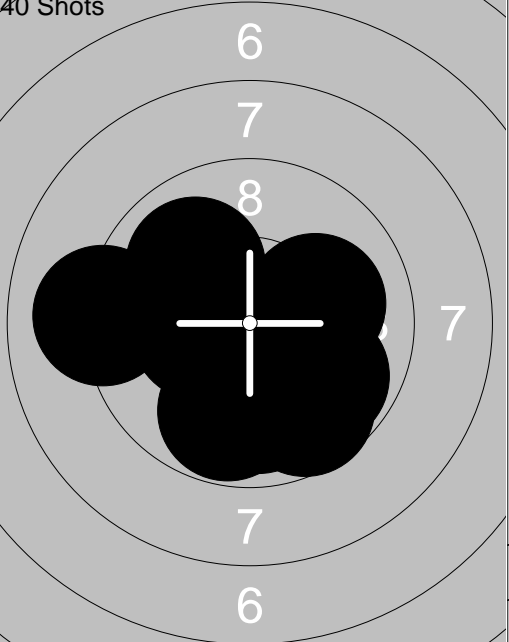
	1: 9.3 ↘		1: *10.4 ↖
	2: 9.4 →		2: 9.8 ↖
	3: 10.0 ↘		3: 9.5 ↖
	4: 9.4 →		4: *10.2 →
	5: *10.6 ↖		5: *10.3 ↗
	6: 10.1 ↘		6: 9.1 ↖
	7: *10.7 ↘		7: 9.5 ↖
	8: 9.5 ↙		8: 8.5 →
	9: 9.2 ↖		9: 9.5 ↗
	10: *10.4 ↖		10: 9.3 →
	Series 95.0		Series 92.0
	Total 0.0		Total 92.0


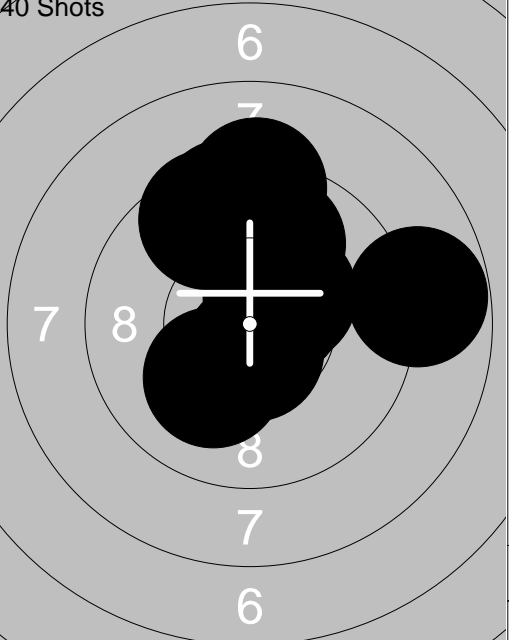
	11: *10.2 ↗		21: 9.4 →
	12: *10.2 ↗		22: *10.7 ↘
	13: 10.0 →		23: 9.5 →
	14: 9.4 ↗		24: 8.5 ↑
	15: *10.9 →		25: 9.6 ↗
	16: 10.0 ↑		26: *10.3 →
	17: 9.0 →		27: 9.5 ↑
	18: 9.5 ↑		28: 10.1 ↑
	19: *10.2 →		29: 9.7 ↖
	20: *10.5 ↖		30: *10.5 ↗
	Series 97.0		Series 93.0
	Total 189.0		Total 282.0

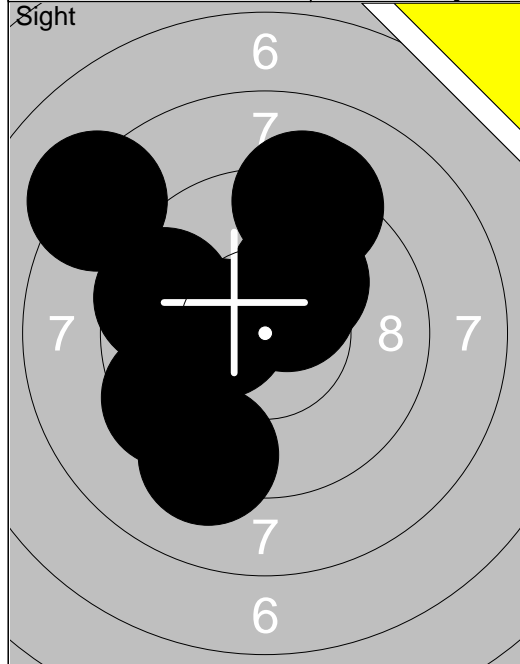
	31: 9.8 →	
	32: 9.9 ↖	
	33: 10.0 ↘	
	34: *10.5 ↖	
	35: 9.9 ↖	
	36: 9.7 ↗	
	37: *10.8 ↖	
	38: *10.8 ↘	
	39: 9.9 ↗	
	40: 9.6 →	
	Series 94.0	
	Total 376.0	



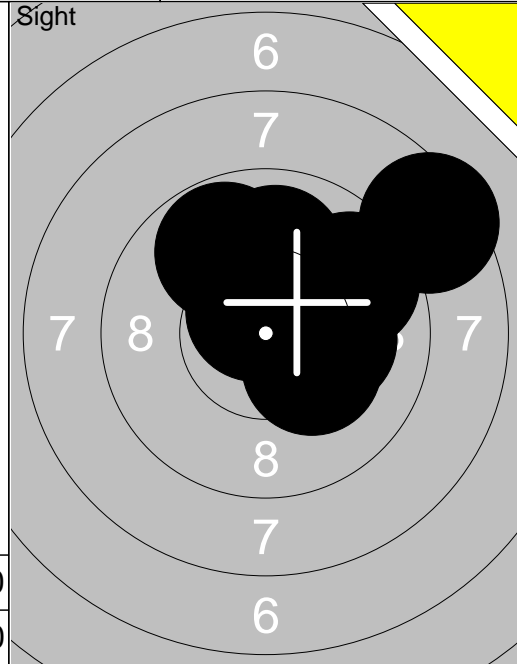
<p>Sight</p> 	<p>1: 0.0 ↓</p> <p>2: 4.4 ↓</p> <p>3: 8.1 ↓</p> <p>4: 5.6 ↓</p> <p>5: *10.5 ↘</p> <p>6: 8.2 ↓</p> <p>7: 9.9 →</p> <p>8: 8.7 →</p> <p>9: 9.9 →</p> <p>10: 8.8 ↙</p> <hr/> <p>Series 69.0</p> <p>Total 0.0</p>	<p>Sight</p> 	<p>11: 9.4 ↘</p> <p>12: *10.8 ↙</p> <p>13: 10.0 ↓</p> <hr/> <p>Series 29.0</p> <p>Total 0.0</p>
---	--	---	---

<p>40 Shots</p> 	<p>1: 9.1 ↙</p> <p>2: *10.3 ↘</p> <p>3: 9.6 ↙</p> <p>4: *10.2 ↗</p> <p>5: 9.8 ↓</p> <p>6: *10.3 ↑</p> <p>7: *10.2 ↑</p> <p>8: 9.3 ↑</p> <p>9: 9.8 ↓</p> <p>10: *10.6 →</p> <hr/> <p>Series 95.0</p> <p>Total 95.0</p>	<p>40 Shots</p> 	<p>11: 9.9 ↓</p> <p>12: 9.7 ↓</p> <p>13: 9.8 ↘</p> <p>14: 10.1 →</p> <p>15: 9.1 ←</p> <p>16: *10.8 ↙</p> <p>17: 10.0 ↗</p> <p>18: *10.3 ↙</p> <p>19: *10.3 ↘</p> <p>20: 9.8 ↓</p> <hr/> <p>Series 95.0</p> <p>Total 190.0</p>
---	---	---	---

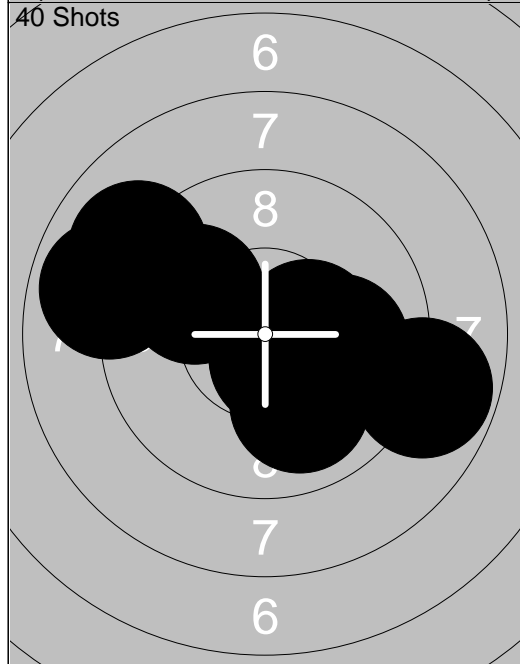
<p>40 Shots</p> 	<p>21: 9.7 ↙</p> <p>22: 9.6 ↗</p> <p>23: 9.7 ↑</p> <p>24: 9.1 ↗</p> <p>25: 9.9 ↙</p> <p>26: *10.7 ↘</p> <p>27: *10.4 ↑</p> <p>28: 9.3 ↙</p> <p>29: *10.2 →</p> <p>30: 10.1 ↑</p> <hr/> <p>Series 94.0</p> <p>Total 284.0</p>	<p>40 Shots</p> 	<p>31: *10.5 ↗</p> <p>32: 9.5 ↑</p> <p>33: *10.3 ↗</p> <p>34: 9.9 ↑</p> <p>35: 8.8 →</p> <p>36: 9.5 ↑</p> <p>37: 10.1 ↘</p> <p>38: *10.6 ↗</p> <p>39: *10.6 ↘</p> <p>40: 9.2 ↑</p> <hr/> <p>Series 94.0</p> <p>Total 378.0</p>
--	--	--	--



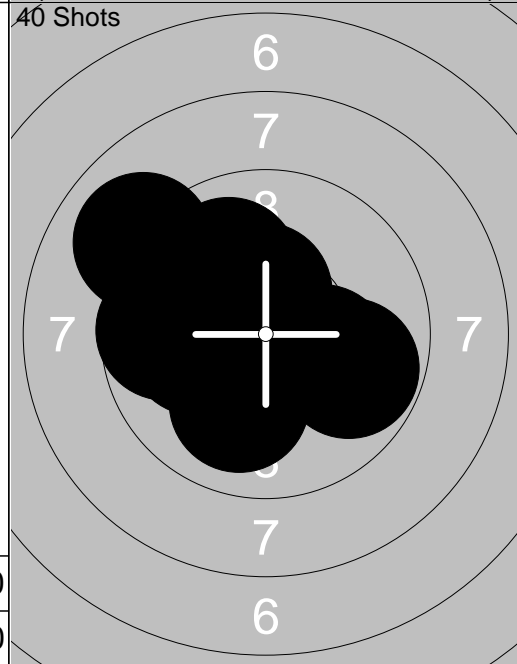
1: 9.2 ↓
2: *10.5 ↗
3: 8.2 ↖
4: 9.5 ↙
5: 10.0 ←
6: 9.2 ↑
7: *10.4 ←
8: 9.6 ↖
9: *10.2 ↗
10: 9.2 ↑
Series 93.0
Total 0.0



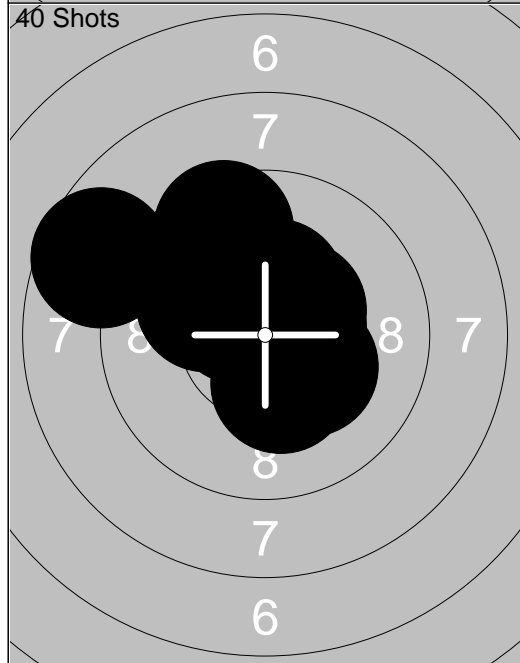
11: *10.2 ↘
12: *10.2 →
13: 8.4 ↗
14: *10.6 ↖
15: 9.8 ↖
16: *10.3 →
17: 9.7 ↗
18: 9.9 ↑
Series 75.0
Total 0.0



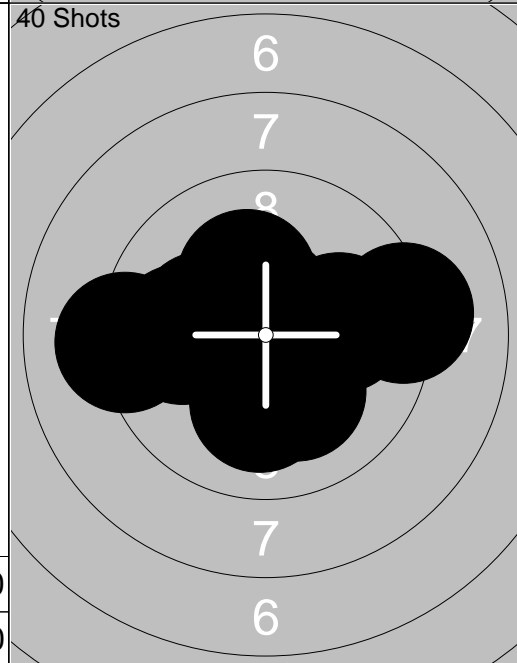
1: 8.8 →
2: 10.0 →
3: *10.6 ↘
4: 10.0 ↓
5: 9.0 ↗
6: *10.6 ↘
7: 8.9 ↖
8: *10.4 →
9: *10.6 ↘
10: 9.9 ↖
Series 94.0
Total 94.0



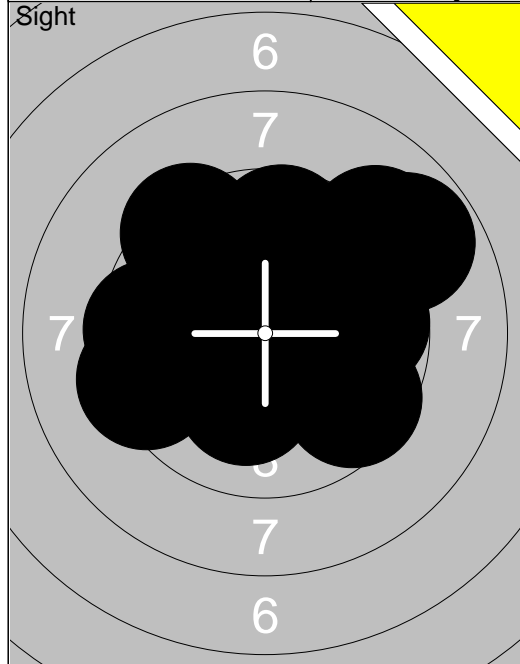
11: 10.0 ↓
12: *10.7 ↖
13: *10.4 ↑
14: 10.1 ←
15: 10.0 ↖
16: 9.8 →
17: 9.7 ←
18: *10.7 ↓
19: 9.0 ↖
20: *10.2 →
Series 97.0
Total 191.0



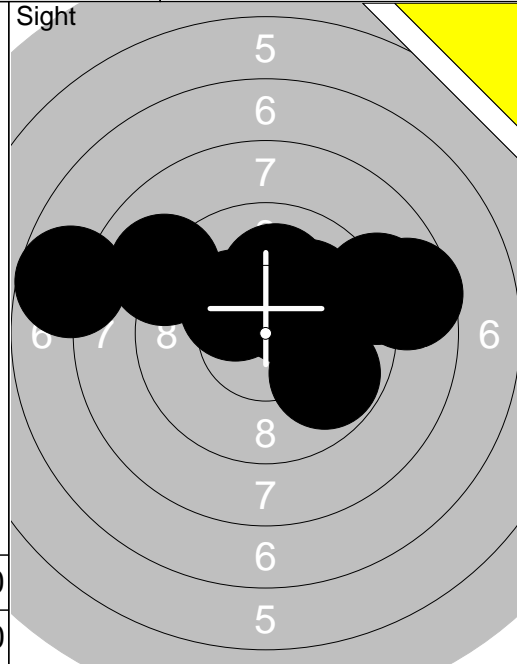
21: *10.3 ↘
22: 9.5 ↑
23: *10.5 ↖
24: *10.5 ↑
25: 8.6 ↖
26: *10.3 ↑
27: *10.5 →
28: *10.4 ↗
29: *10.3 ↓
30: 10.1 ↖
Series 97.0
Total 288.0



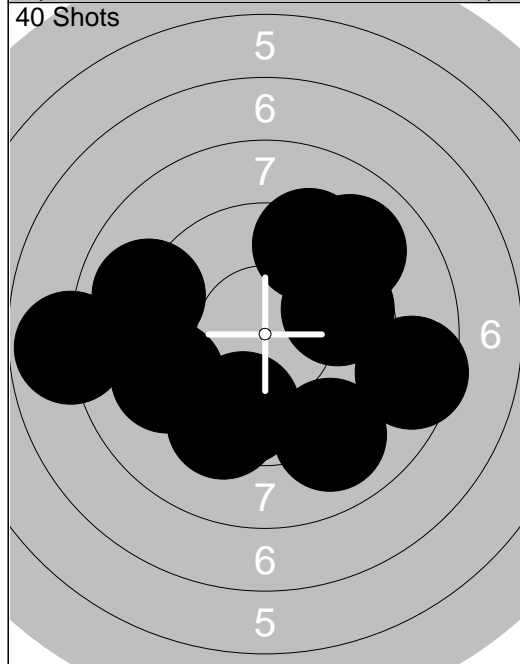
31: 10.1 ↓
32: 9.2 →
33: *10.2 ↖
34: *10.6 ↑
35: 9.2 ←
36: 10.0 →
37: *10.6 →
38: 10.1 ↓
39: 9.9 ←
40: *10.2 ↖
Series 97.0
Total 385.0



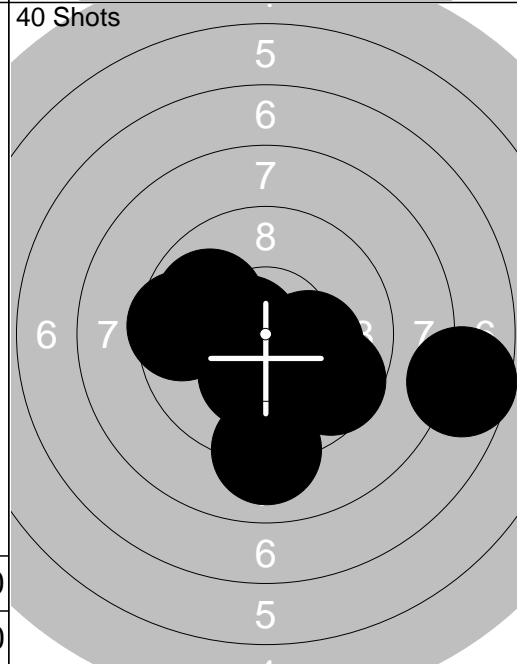
1:	9.6	↘
2:	9.3	↙
3:	*10.7	↗
4:	9.5	↙
5:	9.7	→
6:	9.4	↖
7:	10.1	↓
8:	8.8	↗
9:	9.1	↗
10:	9.7	↑
Series	91.0	
Total	0.0	



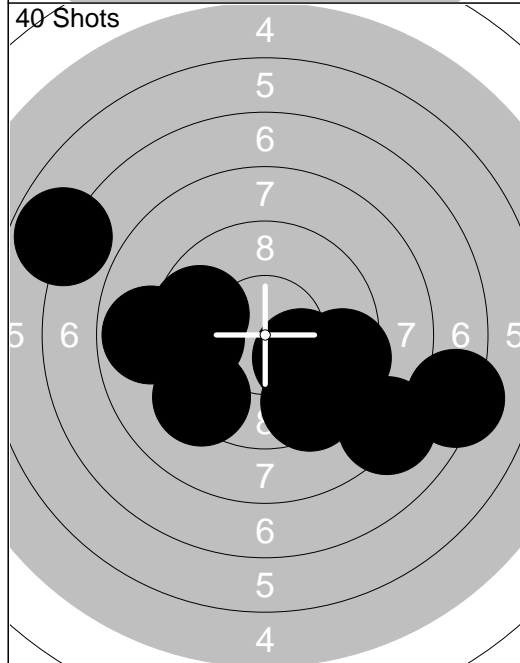
11:	8.6	→
12:	*10.4	↗
13:	*10.3	↖
14:	9.0	→
15:	9.8	↘
16:	7.7	↙
17:	*10.4	↑
18:	10.1	↗
19:	10.1	↑
20:	9.0	↖
Series	92.0	
Total	0.0	



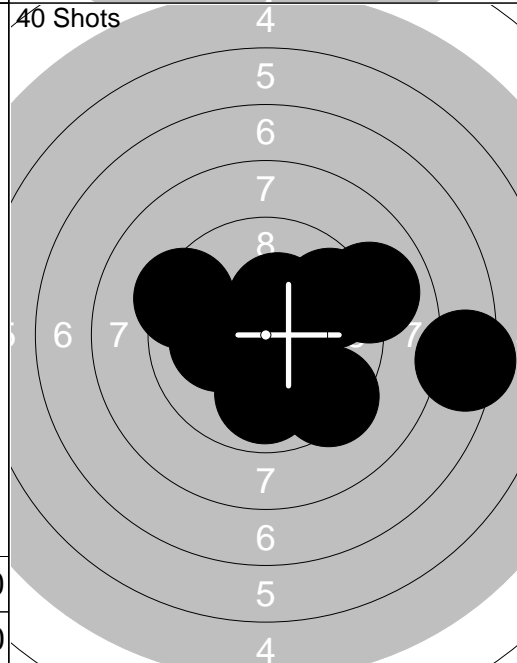
1:	9.4	↖
2:	9.7	→
3:	9.0	↙
4:	9.1	↗
5:	9.4	↓
6:	9.3	↙
7:	9.7	↓
8:	7.8	↙
9:	9.0	↓
10:	8.5	→
Series	87.0	
Total	87.0	



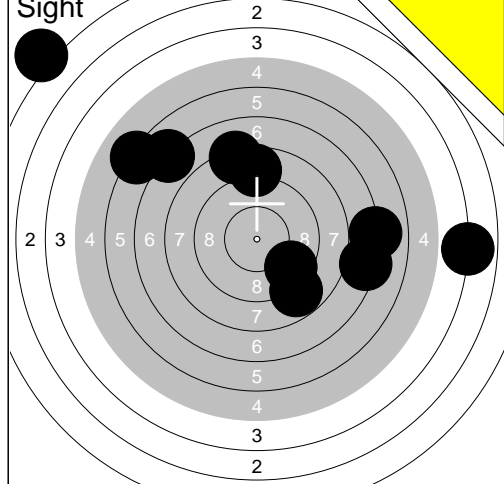
11:	10.1	↓
12:	9.6	↙
13:	9.9	↖
14:	*10.4	↗
15:	*10.3	↓
16:	*10.2	↗
17:	9.6	↘
18:	*10.6	↖
19:	7.6	→
20:	9.1	↓
Series	93.0	
Total	180.0	



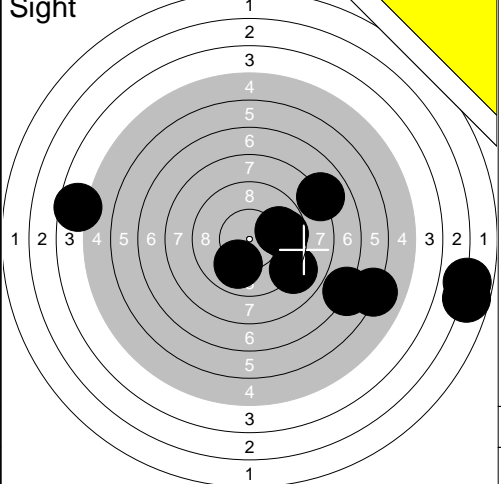
21:	8.2	↘
22:	9.5	↓
23:	8.8	↙
24:	9.5	→
25:	7.3	→
26:	*10.2	↗
27:	9.3	↙
28:	6.8	↙
29:	9.7	↙
30:	9.7	↙
Series	84.0	
Total	264.0	



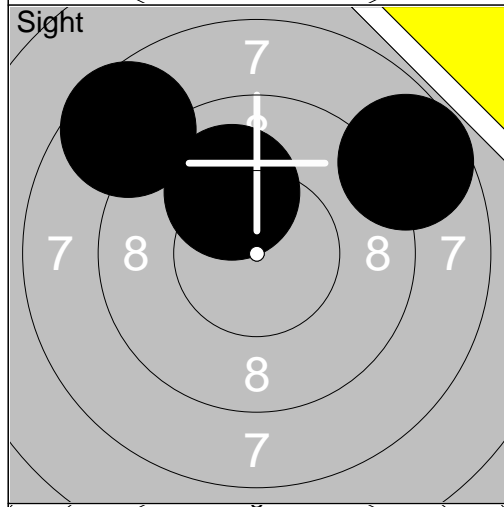
31:	9.6	↗
32:	*10.6	↗
33:	9.0	→
34:	9.4	↘
35:	*10.5	↗
36:	9.4	↙
37:	7.4	→
38:	10.1	↙
39:	9.9	↓
40:	*10.4	↗
Series	92.0	
Total	356.0	



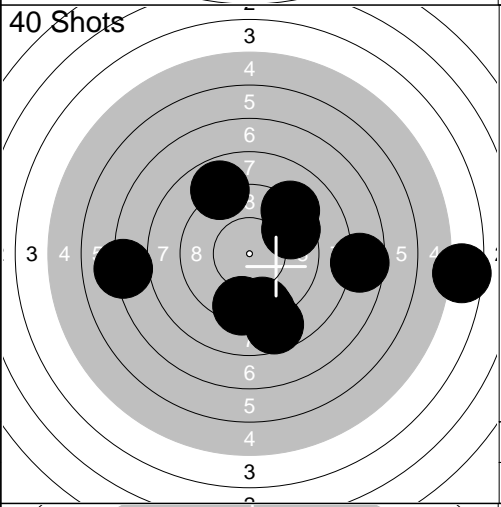
11:	6.0	→
12:	7.9	↗
13:	9.8	→
14:	2.8	→
15:	6.9	↘
16:	2.7	→
17:	9.0	↘
18:	9.7	→
19:	10.0	↘
20:	4.5	←
<b>Series</b>	<b>64.0</b>	
<b>Total</b>	<b>0.0</b>	



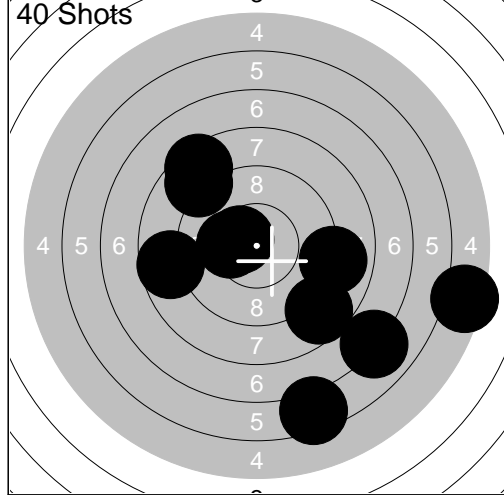
21:	8.6	↗
22:	10.1	↗
23:	8.6	↗
<b>Series</b>	<b>26.0</b>	
<b>Total</b>	<b>0.0</b>	



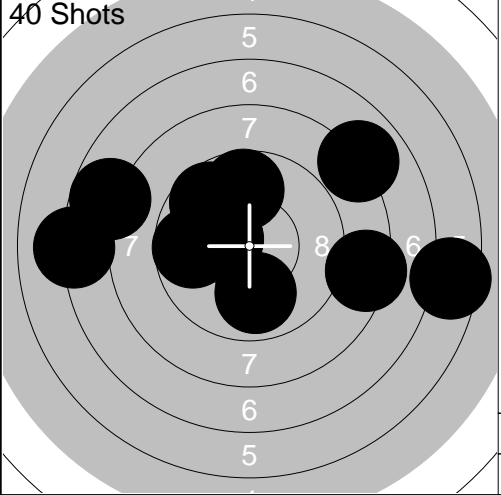
1:	7.6	→
2:	9.1	↘
3:	9.3	↘
4:	4.5	→
5:	9.2	↗
6:	9.5	↗
7:	8.8	↗
8:	7.1	←
9:	8.7	↘
10:	9.3	↘
<b>Series</b>	<b>79.0</b>	
<b>Total</b>	<b>79.0</b>	



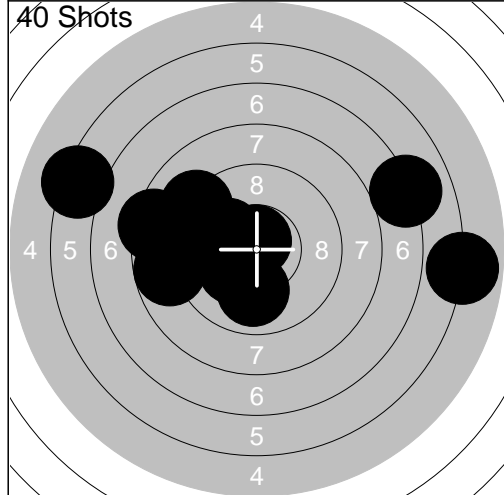
11:	5.3	→
12:	8.9	→
13:	8.7	↗
14:	*10.5	↗
15:	8.6	↘
16:	8.4	↗
17:	*10.3	←
18:	6.4	↘
19:	7.0	↘
20:	8.6	←
<b>Series</b>	<b>78.0</b>	
<b>Total</b>	<b>157.0</b>	



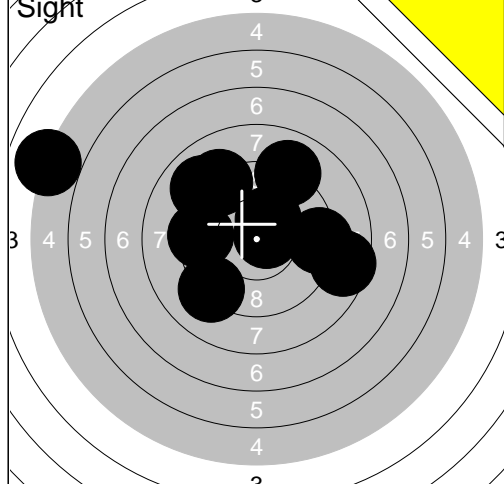
21:	*10.3	←
22:	7.1	←
23:	9.7	↗
24:	9.7	←
25:	9.9	↘
26:	8.3	→
27:	6.5	→
28:	7.7	←
29:	7.9	↗
30:	9.7	↑
<b>Series</b>	<b>81.0</b>	
<b>Total</b>	<b>238.0</b>	



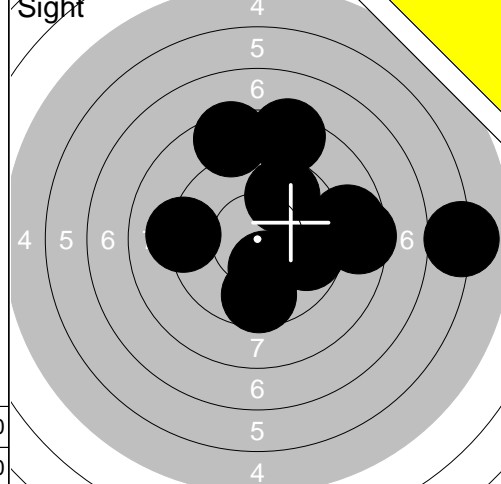
31:	7.0	→
32:	5.8	→
33:	*10.7	↑
34:	*10.2	↘
35:	8.7	←
36:	8.3	←
37:	6.2	↖
38:	10.1	↗
39:	9.9	↘
40:	9.1	↗
<b>Series</b>	<b>82.0</b>	
<b>Total</b>	<b>320.0</b>	



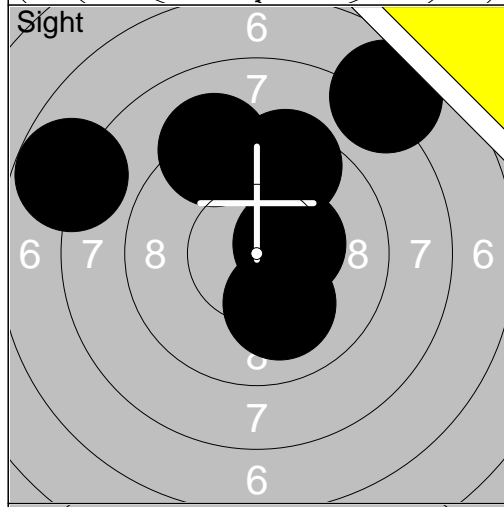
31:	7.0	→
32:	5.8	→
33:	*10.7	↑
34:	*10.2	↘
35:	8.7	←
36:	8.3	←
37:	6.2	↖
38:	10.1	↗
39:	9.9	↘
40:	9.1	↗
<b>Series</b>	<b>82.0</b>	
<b>Total</b>	<b>320.0</b>	



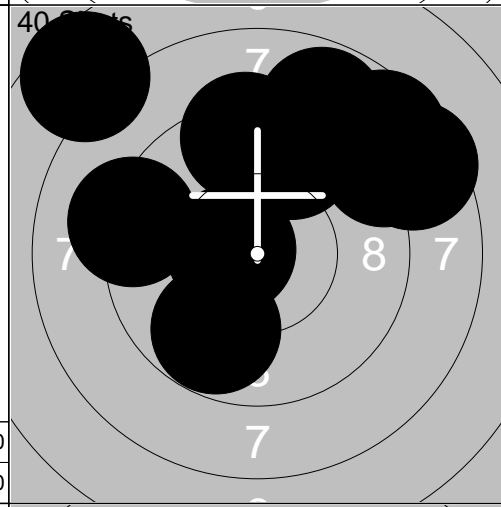
1:	5.0	←
2:	9.0	↗
3:	9.4	←
4:	9.3	→
5:	9.1	↗
6:	8.5	→
7:	*10.3	↗
8:	9.0	↗
9:	9.1	↙
10:	*10.7	→
<b>Series</b>		87.0
<b>Total</b>		0.0



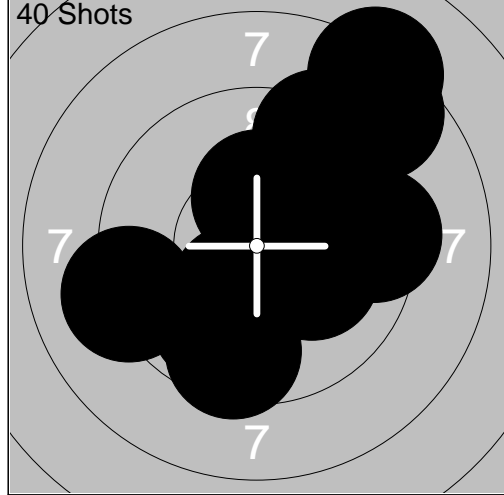
11:	8.5	→
12:	6.0	→
13:	8.8	→
14:	9.2	←
15:	*10.2	↓
16:	8.5	↑
17:	8.4	↑
18:	9.8	↗
19:	9.6	↓
20:	9.7	→
<b>Series</b>		84.0
<b>Total</b>		0.0



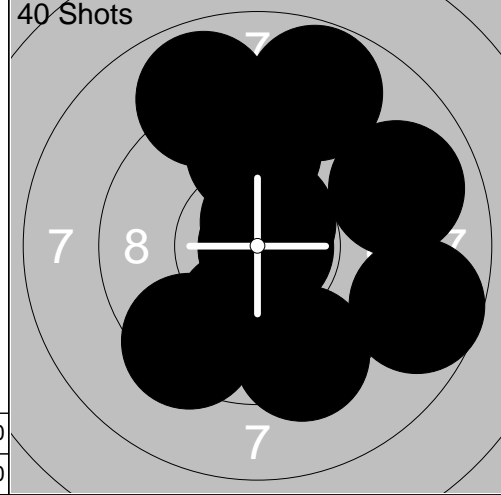
21:	10.1	↓
22:	9.2	↗
23:	9.5	↑
24:	7.7	↗
25:	7.8	←
26:	*10.4	→
<b>Series</b>		52.0
<b>Total</b>		0.0



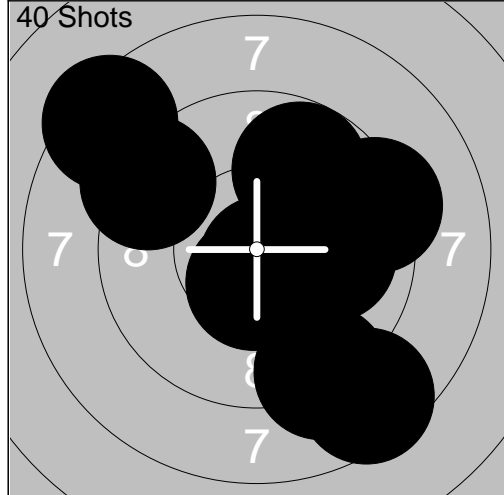
1:	9.2	←
2:	8.6	↗
3:	9.5	↑
4:	7.5	↖
5:	8.8	↗
6:	9.8	↓
7:	9.3	↑
8:	8.8	↑
9:	*10.6	←
10:	8.5	↗
<b>Series</b>		85.0
<b>Total</b>		85.0



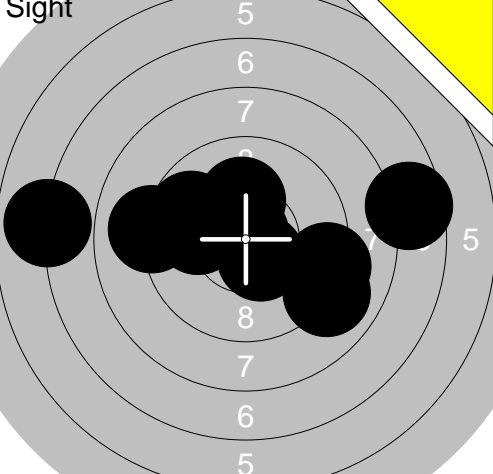
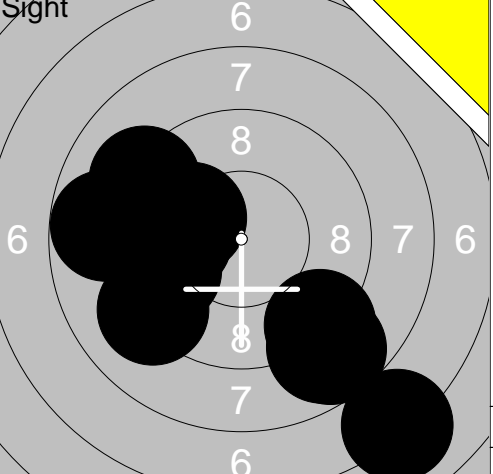
11:	9.4	→
12:	*10.3	↑
13:	8.6	↗
14:	*10.3	↓
15:	9.1	←
16:	9.3	↗
17:	10.1	→
18:	9.5	↓
19:	9.9	↙
20:	8.2	↗
<b>Series</b>		91.0
<b>Total</b>		176.0

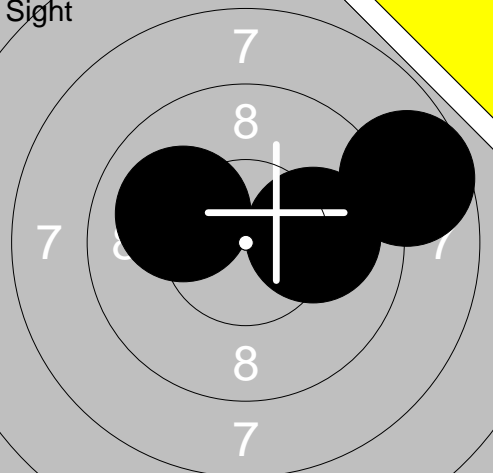



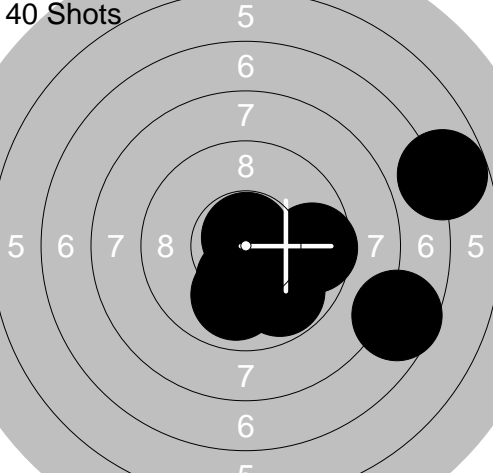
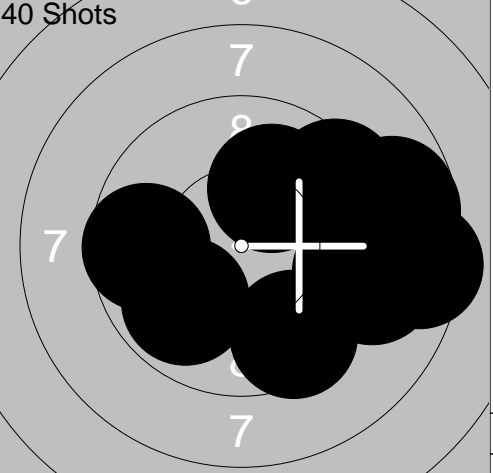
21:	9.0	↗
22:	9.4	↓
23:	8.7	→
24:	9.4	↙
25:	10.0	↓
26:	*10.6	↑
27:	8.9	↗
28:	9.7	↑
29:	8.8	↑
30:	*10.8	→
<b>Series</b>		90.0
<b>Total</b>		266.0

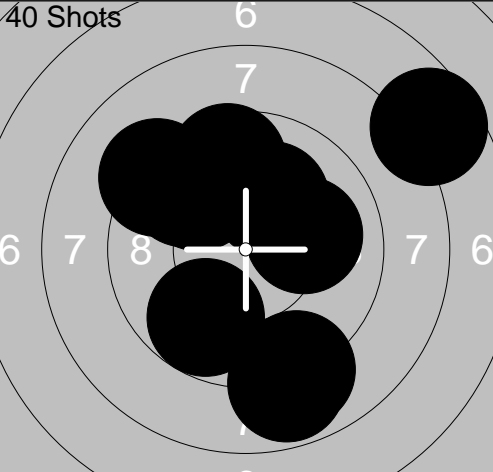


31:	10.0	→
32:	*10.2	→
33:	8.5	↓
34:	9.3	↗
35:	9.3	→
36:	8.4	↗
37:	*10.7	↓
38:	*10.5	↓
39:	9.8	↑
40:	9.1	↓
<b>Series</b>		92.0
<b>Total</b>		358.0

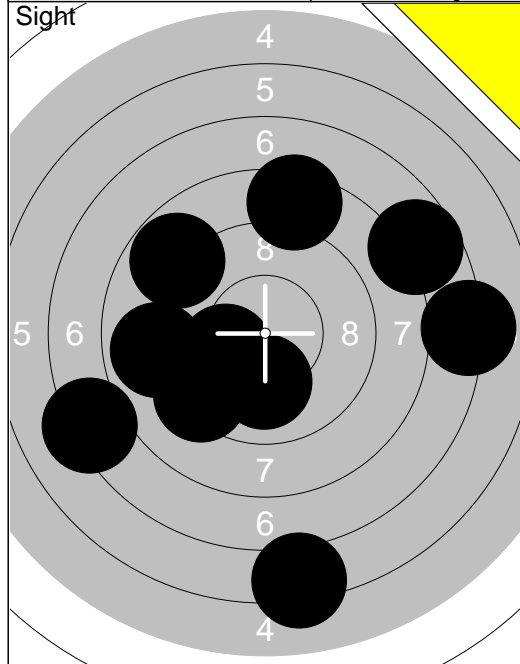
	<table border="1" style="width:100%; border-collapse: collapse;"> <tr><td>1:</td><td>9.7</td><td>↖</td></tr> <tr><td>2:</td><td>6.9</td><td>←</td></tr> <tr><td>3:</td><td>10.0</td><td>←</td></tr> <tr><td>4:</td><td>7.6</td><td>→</td></tr> <tr><td>5:</td><td>9.2</td><td>↘</td></tr> <tr><td>6:</td><td>*10.8</td><td>↑</td></tr> <tr><td>7:</td><td>9.0</td><td>↘</td></tr> <tr><td>8:</td><td>*10.5</td><td>↘</td></tr> <tr><td>9:</td><td>*10.2</td><td>↑</td></tr> <tr><td>10:</td><td>9.0</td><td>←</td></tr> <tr><td colspan="2"><b>Series</b></td><td><b>89.0</b></td></tr> <tr><td colspan="2"><b>Total</b></td><td><b>0.0</b></td></tr> </table>	1:	9.7	↖	2:	6.9	←	3:	10.0	←	4:	7.6	→	5:	9.2	↘	6:	*10.8	↑	7:	9.0	↘	8:	*10.5	↘	9:	*10.2	↑	10:	9.0	←	<b>Series</b>		<b>89.0</b>	<b>Total</b>		<b>0.0</b>		<table border="1" style="width:100%; border-collapse: collapse;"> <tr><td>11:</td><td>8.8</td><td>←</td></tr> <tr><td>12:</td><td>9.1</td><td>↘</td></tr> <tr><td>13:</td><td>9.6</td><td>←</td></tr> <tr><td>14:</td><td>9.1</td><td>↖</td></tr> <tr><td>15:</td><td>9.1</td><td>↘</td></tr> <tr><td>16:</td><td>10.1</td><td>↖</td></tr> <tr><td>17:</td><td>8.7</td><td>↘</td></tr> <tr><td>18:</td><td>8.8</td><td>↘</td></tr> <tr><td>19:</td><td>7.0</td><td>↘</td></tr> <tr><td>20:</td><td>9.9</td><td>←</td></tr> <tr><td colspan="2"><b>Series</b></td><td><b>86.0</b></td></tr> <tr><td colspan="2"><b>Total</b></td><td><b>0.0</b></td></tr> </table>	11:	8.8	←	12:	9.1	↘	13:	9.6	←	14:	9.1	↖	15:	9.1	↘	16:	10.1	↖	17:	8.7	↘	18:	8.8	↘	19:	7.0	↘	20:	9.9	←	<b>Series</b>		<b>86.0</b>	<b>Total</b>		<b>0.0</b>
1:	9.7	↖																																																																									
2:	6.9	←																																																																									
3:	10.0	←																																																																									
4:	7.6	→																																																																									
5:	9.2	↘																																																																									
6:	*10.8	↑																																																																									
7:	9.0	↘																																																																									
8:	*10.5	↘																																																																									
9:	*10.2	↑																																																																									
10:	9.0	←																																																																									
<b>Series</b>		<b>89.0</b>																																																																									
<b>Total</b>		<b>0.0</b>																																																																									
11:	8.8	←																																																																									
12:	9.1	↘																																																																									
13:	9.6	←																																																																									
14:	9.1	↖																																																																									
15:	9.1	↘																																																																									
16:	10.1	↖																																																																									
17:	8.7	↘																																																																									
18:	8.8	↘																																																																									
19:	7.0	↘																																																																									
20:	9.9	←																																																																									
<b>Series</b>		<b>86.0</b>																																																																									
<b>Total</b>		<b>0.0</b>																																																																									

	<table border="1" style="width:100%; border-collapse: collapse;"> <tr><td>21:</td><td>10.0</td><td>←</td></tr> <tr><td>22:</td><td>8.7</td><td>→</td></tr> <tr><td>23:</td><td>10.1</td><td>→</td></tr> <tr><td colspan="2"><b>Series</b></td><td><b>28.0</b></td></tr> <tr><td colspan="2"><b>Total</b></td><td><b>0.0</b></td></tr> </table>	21:	10.0	←	22:	8.7	→	23:	10.1	→	<b>Series</b>		<b>28.0</b>	<b>Total</b>		<b>0.0</b>		<table border="1" style="width:100%; border-collapse: collapse;"> <tr><td>1:</td><td>9.0</td><td>←</td></tr> <tr><td>2:</td><td>8.9</td><td>→</td></tr> <tr><td>3:</td><td>10.1</td><td>↓</td></tr> <tr><td>4:</td><td>8.2</td><td>→</td></tr> <tr><td>5:</td><td>7.8</td><td>←</td></tr> <tr><td>6:</td><td>9.9</td><td>→</td></tr> <tr><td>7:</td><td>9.9</td><td>→</td></tr> <tr><td>8:</td><td>10.1</td><td>↘</td></tr> <tr><td>9:</td><td>10.0</td><td>←</td></tr> <tr><td>10:</td><td>8.5</td><td>→</td></tr> <tr><td colspan="2"><b>Series</b></td><td><b>88.0</b></td></tr> <tr><td colspan="2"><b>Total</b></td><td><b>88.0</b></td></tr> </table>	1:	9.0	←	2:	8.9	→	3:	10.1	↓	4:	8.2	→	5:	7.8	←	6:	9.9	→	7:	9.9	→	8:	10.1	↘	9:	10.0	←	10:	8.5	→	<b>Series</b>		<b>88.0</b>	<b>Total</b>		<b>88.0</b>
21:	10.0	←																																																				
22:	8.7	→																																																				
23:	10.1	→																																																				
<b>Series</b>		<b>28.0</b>																																																				
<b>Total</b>		<b>0.0</b>																																																				
1:	9.0	←																																																				
2:	8.9	→																																																				
3:	10.1	↓																																																				
4:	8.2	→																																																				
5:	7.8	←																																																				
6:	9.9	→																																																				
7:	9.9	→																																																				
8:	10.1	↘																																																				
9:	10.0	←																																																				
10:	8.5	→																																																				
<b>Series</b>		<b>88.0</b>																																																				
<b>Total</b>		<b>88.0</b>																																																				

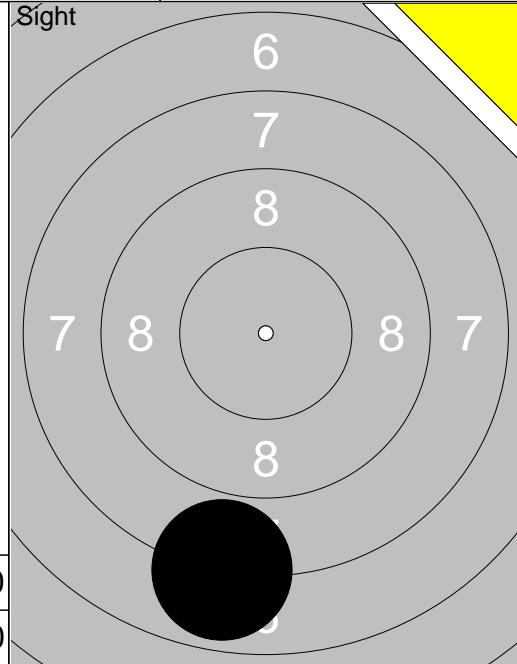
	<table border="1" style="width:100%; border-collapse: collapse;"> <tr><td>11:</td><td>*10.2</td><td>↘</td></tr> <tr><td>12:</td><td>6.8</td><td>→</td></tr> <tr><td>13:</td><td>9.8</td><td>↘</td></tr> <tr><td>14:</td><td>10.0</td><td>↓</td></tr> <tr><td>15:</td><td>*10.4</td><td>↘</td></tr> <tr><td>16:</td><td>7.6</td><td>↘</td></tr> <tr><td>17:</td><td>*10.5</td><td>↘</td></tr> <tr><td>18:</td><td>*10.8</td><td>↑</td></tr> <tr><td>19:</td><td>*10.3</td><td>↓</td></tr> <tr><td>20:</td><td>9.6</td><td>→</td></tr> <tr><td colspan="2"><b>Series</b></td><td><b>91.0</b></td></tr> <tr><td colspan="2"><b>Total</b></td><td><b>179.0</b></td></tr> </table>	11:	*10.2	↘	12:	6.8	→	13:	9.8	↘	14:	10.0	↓	15:	*10.4	↘	16:	7.6	↘	17:	*10.5	↘	18:	*10.8	↑	19:	*10.3	↓	20:	9.6	→	<b>Series</b>		<b>91.0</b>	<b>Total</b>		<b>179.0</b>		<table border="1" style="width:100%; border-collapse: collapse;"> <tr><td>21:</td><td>9.4</td><td>↗</td></tr> <tr><td>22:</td><td>8.7</td><td>→</td></tr> <tr><td>23:</td><td>8.8</td><td>→</td></tr> <tr><td>24:</td><td>9.8</td><td>↘</td></tr> <tr><td>25:</td><td>10.0</td><td>↗</td></tr> <tr><td>26:</td><td>9.5</td><td>↘</td></tr> <tr><td>27:</td><td>9.1</td><td>→</td></tr> <tr><td>28:</td><td>8.5</td><td>→</td></tr> <tr><td>29:</td><td>9.3</td><td>→</td></tr> <tr><td>30:</td><td>9.6</td><td>←</td></tr> <tr><td colspan="2"><b>Series</b></td><td><b>88.0</b></td></tr> <tr><td colspan="2"><b>Total</b></td><td><b>267.0</b></td></tr> </table>	21:	9.4	↗	22:	8.7	→	23:	8.8	→	24:	9.8	↘	25:	10.0	↗	26:	9.5	↘	27:	9.1	→	28:	8.5	→	29:	9.3	→	30:	9.6	←	<b>Series</b>		<b>88.0</b>	<b>Total</b>		<b>267.0</b>
11:	*10.2	↘																																																																									
12:	6.8	→																																																																									
13:	9.8	↘																																																																									
14:	10.0	↓																																																																									
15:	*10.4	↘																																																																									
16:	7.6	↘																																																																									
17:	*10.5	↘																																																																									
18:	*10.8	↑																																																																									
19:	*10.3	↓																																																																									
20:	9.6	→																																																																									
<b>Series</b>		<b>91.0</b>																																																																									
<b>Total</b>		<b>179.0</b>																																																																									
21:	9.4	↗																																																																									
22:	8.7	→																																																																									
23:	8.8	→																																																																									
24:	9.8	↘																																																																									
25:	10.0	↗																																																																									
26:	9.5	↘																																																																									
27:	9.1	→																																																																									
28:	8.5	→																																																																									
29:	9.3	→																																																																									
30:	9.6	←																																																																									
<b>Series</b>		<b>88.0</b>																																																																									
<b>Total</b>		<b>267.0</b>																																																																									

	<table border="1" style="width:100%; border-collapse: collapse;"> <tr><td>31:</td><td>9.8</td><td>↗</td></tr> <tr><td>32:</td><td>7.6</td><td>↗</td></tr> <tr><td>33:</td><td>9.8</td><td>↘</td></tr> <tr><td>34:</td><td>9.6</td><td>↗</td></tr> <tr><td>35:</td><td>10.0</td><td>→</td></tr> <tr><td>36:</td><td>10.1</td><td>↗</td></tr> <tr><td>37:</td><td>9.0</td><td>↘</td></tr> <tr><td>38:</td><td>9.2</td><td>↗</td></tr> <tr><td>39:</td><td>9.6</td><td>↗</td></tr> <tr><td>40:</td><td>8.8</td><td>↘</td></tr> <tr><td colspan="2"><b>Series</b></td><td><b>89.0</b></td></tr> <tr><td colspan="2"><b>Total</b></td><td><b>356.0</b></td></tr> </table>	31:	9.8	↗	32:	7.6	↗	33:	9.8	↘	34:	9.6	↗	35:	10.0	→	36:	10.1	↗	37:	9.0	↘	38:	9.2	↗	39:	9.6	↗	40:	8.8	↘	<b>Series</b>		<b>89.0</b>	<b>Total</b>		<b>356.0</b>		
31:	9.8	↗																																					
32:	7.6	↗																																					
33:	9.8	↘																																					
34:	9.6	↗																																					
35:	10.0	→																																					
36:	10.1	↗																																					
37:	9.0	↘																																					
38:	9.2	↗																																					
39:	9.6	↗																																					
40:	8.8	↘																																					
<b>Series</b>		<b>89.0</b>																																					
<b>Total</b>		<b>356.0</b>																																					

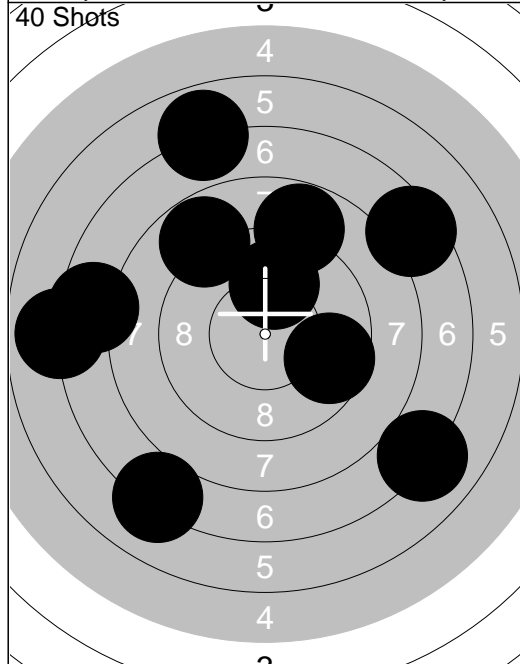




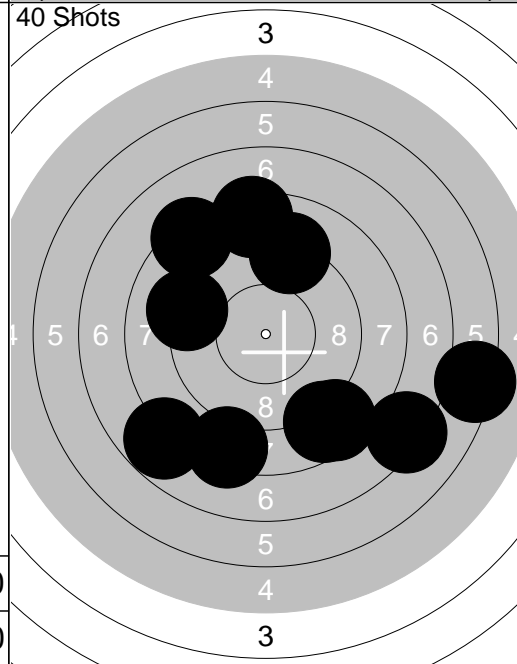
1:	10.1	←
2:	9.3	↙
3:	6.2	↓
4:	10.0	↓
5:	7.7	↗
6:	8.4	↑
7:	7.1	→
8:	8.9	←
9:	7.2	↙
10:	8.8	↖
<b>Series</b>		<b>80.0</b>
<b>Total</b>		<b>0.0</b>



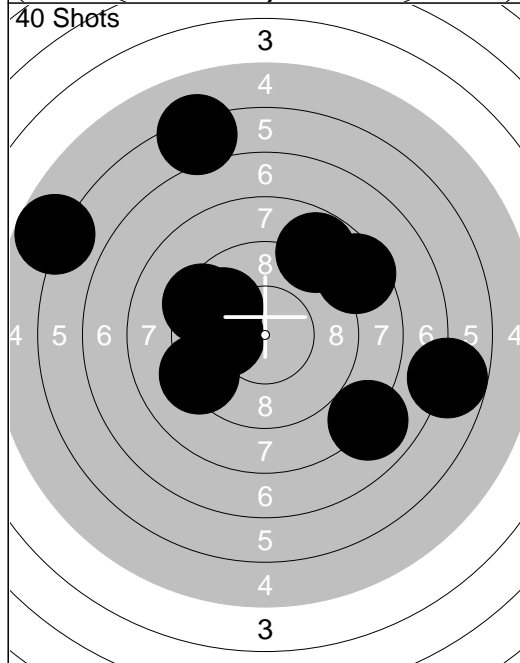
11:	7.9	↓
<b>Series</b>		<b>7.0</b>
<b>Total</b>		<b>0.0</b>



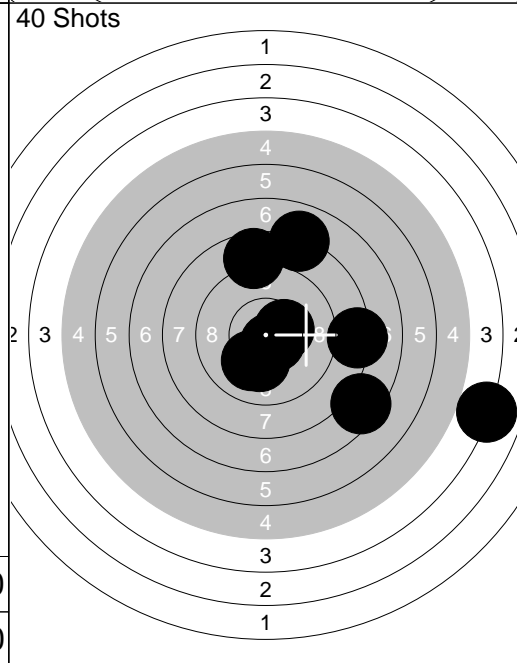
1:	7.5	←
2:	6.8	↑
3:	7.0	↘
4:	8.8	↖
5:	8.8	↑
6:	9.9	↑
7:	7.1	↘
8:	6.9	←
9:	9.6	→
10:	7.4	↗
<b>Series</b>		<b>74.0</b>
<b>Total</b>		<b>74.0</b>



11:	7.2	↘
12:	8.6	↘
13:	9.1	↑
14:	8.5	↘
15:	8.3	↗
16:	6.2	→
17:	8.4	↑
18:	8.3	↘
19:	9.2	←
20:	7.8	↘
<b>Series</b>		<b>78.0</b>
<b>Total</b>		<b>152.0</b>

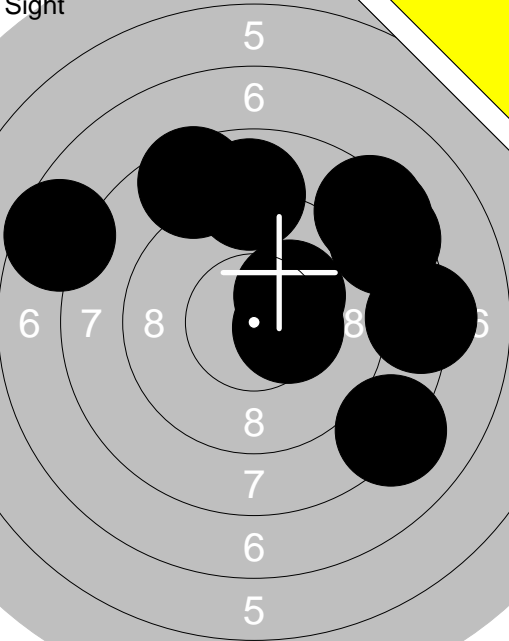
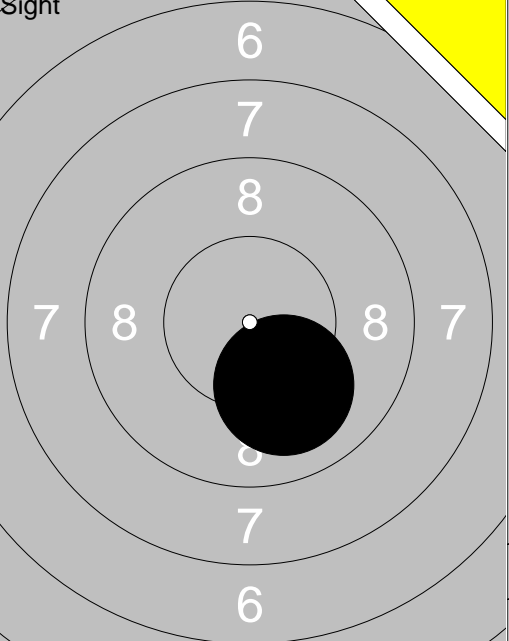


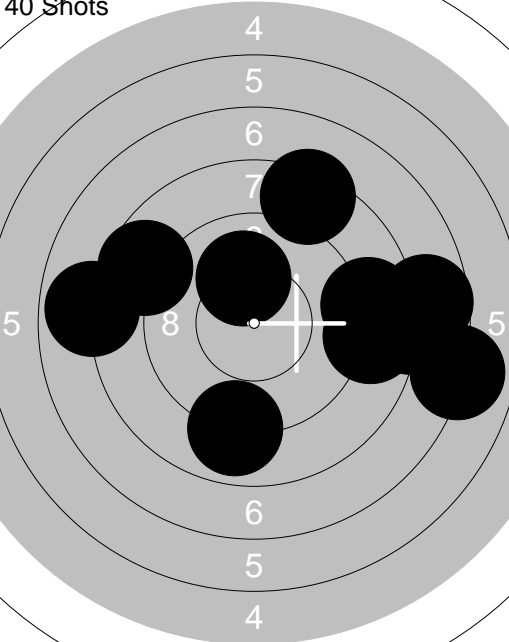
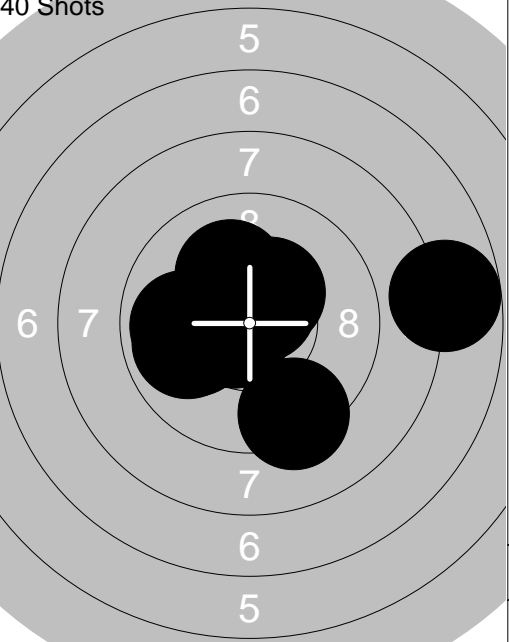
21:	9.8	↖
22:	6.2	↑
23:	9.2	↙
24:	9.4	↖
25:	8.8	↗
26:	6.8	→
27:	8.5	↗
28:	5.7	←
29:	10.0	←
30:	8.0	↘
<b>Series</b>		<b>78.0</b>
<b>Total</b>		<b>230.0</b>

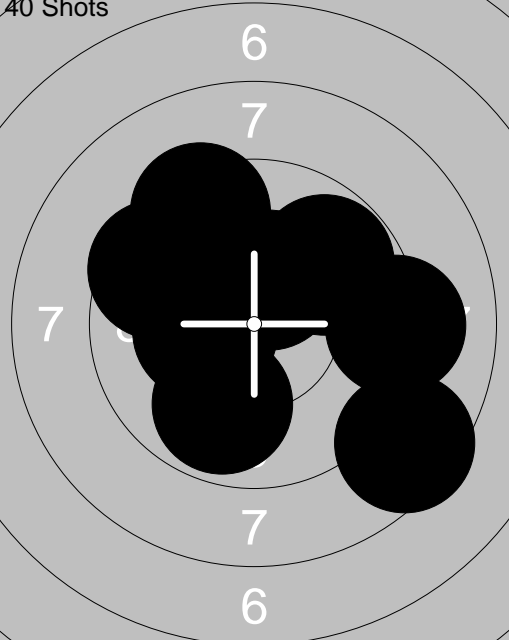



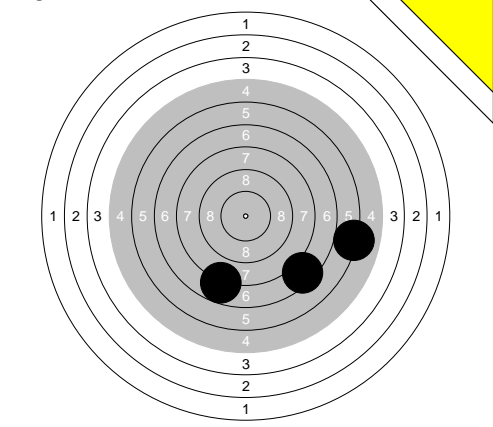
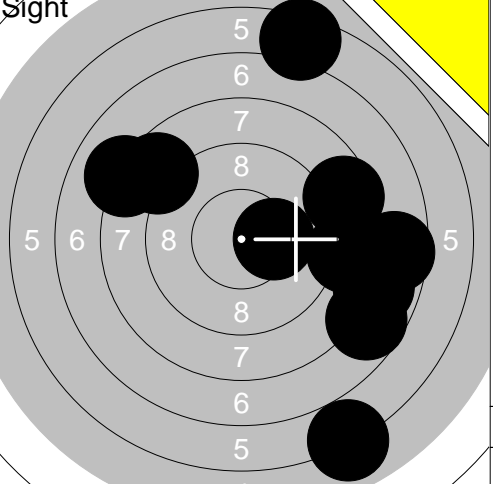
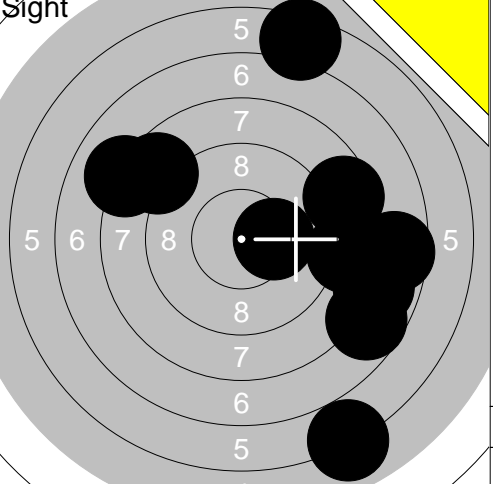
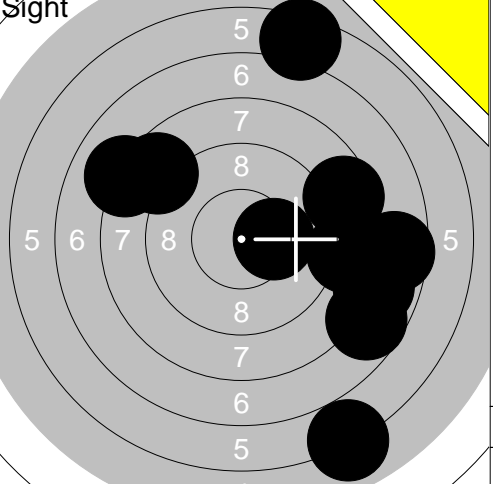
31:	8.6	↑
32:	8.0	↑
33:	7.4	↘
34:	10.1	↘
35:	4.0	→
36:	10.1	↓
37:	*10.4	→
38:	*10.6	↘
39:	*10.7	↘
40:	8.2	→
<b>Series</b>		<b>85.0</b>
<b>Total</b>		<b>315.0</b>

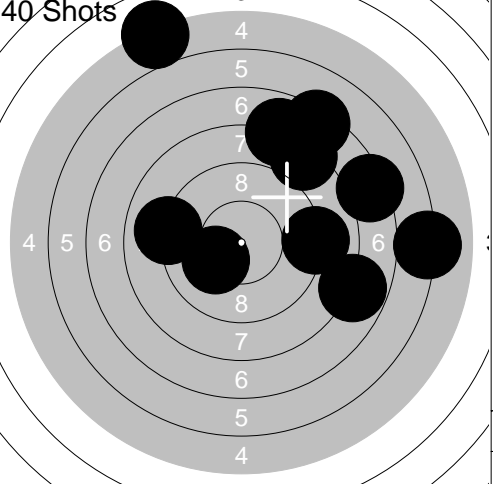
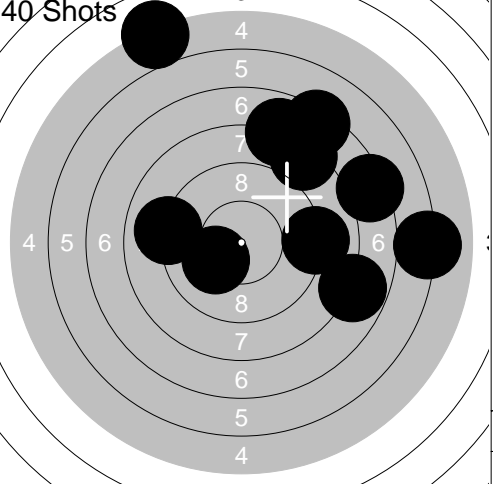
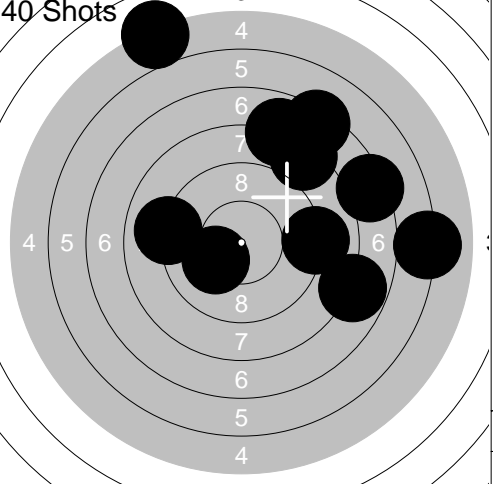


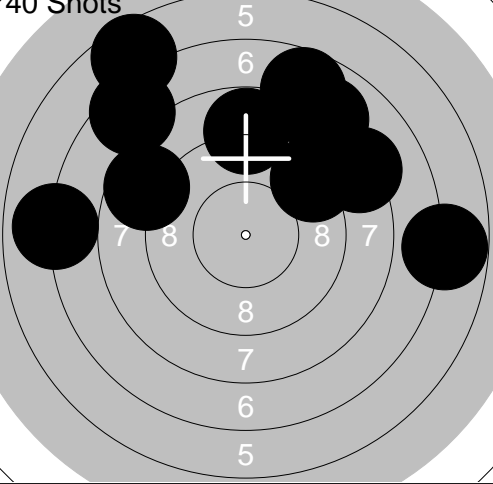
<p>Sight</p> 	<p>1: 8.5 ↗</p> <p>2: 8.9 ↑</p> <p>3: 8.3 →</p> <p>4: 8.4 ↗</p> <p>5: *10.2 ↗</p> <p>6: 8.4 ↗</p> <p>7: 8.5 ↑</p> <p>8: 8.2 ↘</p> <p>9: 7.5 ←</p> <p>10: *10.4 →</p>	<p>Sight</p>  <p>11: 10.0 ↘</p>
Series 83.0		Series 10.0
Total 0.0		Total 0.0

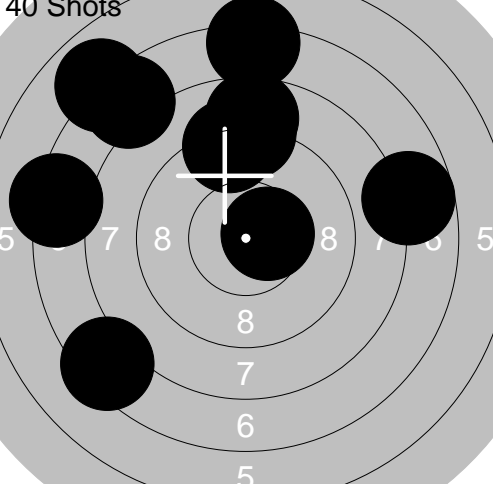
<p>40 Shots</p> 	<p>1: 8.3 ↑</p> <p>2: 7.0 →</p> <p>3: 8.9 ↓</p> <p>4: 8.8 →</p> <p>5: 8.7 →</p> <p>6: 8.0 →</p> <p>7: 7.7 →</p> <p>8: 7.9 ←</p> <p>9: 10.1 ↑</p> <p>10: 8.6 ←</p>	<p>40 Shots</p>  <p>11: 7.8 →</p> <p>12: *10.4 ↖</p> <p>13: 9.9 ←</p> <p>14: *10.6 ↗</p> <p>15: *10.7 ↖</p> <p>16: 9.9 ←</p> <p>17: 10.1 ↑</p> <p>18: *10.4 ↗</p> <p>19: 10.0 ←</p> <p>20: 9.3 ↓</p>
Series 79.0		Series 94.0
Total 79.0		Total 173.0

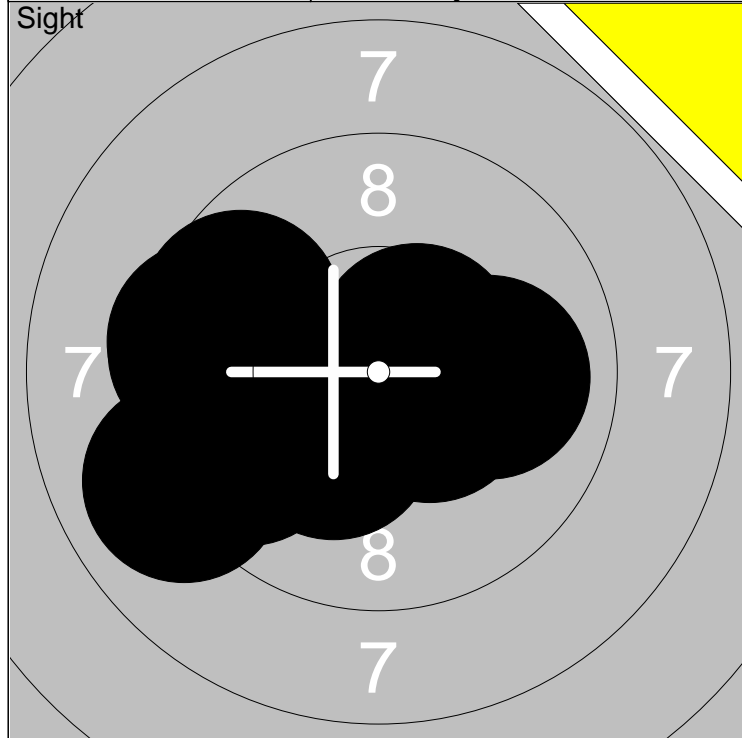
<p>40 Shots</p> 	<p>21: *10.3 ←</p> <p>22: 9.1 →</p> <p>23: 9.8 ↖</p> <p>24: 9.8 ↗</p> <p>25: 9.8 ↓</p> <p>26: *10.4 ↗</p> <p>27: 8.5 ↘</p> <p>28: 9.5 ↖</p> <p>29: 9.4 ↑</p> <p>30: *10.3 ←</p>	<p>40 Shots</p>  <p>31: *10.2 ↗</p> <p>32: 9.5 ↖</p> <p>33: *10.5 ↗</p> <p>34: *10.4 ↘</p> <p>35: 7.5 →</p> <p>36: 9.6 ↖</p> <p>37: *10.7 ↖</p> <p>38: 8.7 ↓</p> <p>39: *10.4 ↘</p> <p>40: 7.3 →</p>
Series 92.0		Series 90.0
Total 265.0		Total 355.0

	<table border="1" style="width:100%; border-collapse: collapse;"> <tr><td>1:</td><td>☐</td><td></td></tr> <tr><td>2:</td><td>☐</td><td></td></tr> <tr><td>3:</td><td>0.0</td><td>↑</td></tr> <tr><td>4:</td><td>☐</td><td></td></tr> <tr><td>5:</td><td>0.0</td><td>↑</td></tr> <tr><td>6:</td><td>0.0</td><td>↑</td></tr> <tr><td>7:</td><td>0.0</td><td>↑</td></tr> <tr><td>8:</td><td>7.4</td><td>↘</td></tr> <tr><td>9:</td><td>7.8</td><td>↘</td></tr> <tr><td>10:</td><td>6.0</td><td>→</td></tr> <tr><td><b>Series</b></td><td><b>20.0</b></td><td></td></tr> <tr><td><b>Total</b></td><td><b>0.0</b></td><td></td></tr> </table>	1:	☐		2:	☐		3:	0.0	↑	4:	☐		5:	0.0	↑	6:	0.0	↑	7:	0.0	↑	8:	7.4	↘	9:	7.8	↘	10:	6.0	→	<b>Series</b>	<b>20.0</b>		<b>Total</b>	<b>0.0</b>		<table border="1" style="width:100%; border-collapse: collapse;"> <tr> <td style="width:15%;"></td> <td style="width:15%;"><b>Sight</b></td> <td style="width:60%;"></td> </tr> <tr> <td></td> <td></td> <td></td> </tr> <tr> <td>11:</td><td>8.0</td><td>↖</td></tr> <tr> <td>12:</td><td>*10.2</td><td>→</td></tr> <tr> <td>13:</td><td>6.0</td><td>↘</td></tr> <tr> <td>14:</td><td>7.9</td><td>↘</td></tr> <tr> <td>15:</td><td>7.6</td><td>→</td></tr> <tr> <td>16:</td><td>7.7</td><td>↘</td></tr> <tr> <td>17:</td><td>8.6</td><td>↖</td></tr> <tr> <td>18:</td><td>6.4</td><td>↑</td></tr> <tr> <td>19:</td><td>8.6</td><td>→</td></tr> <tr> <td>20:</td><td>8.5</td><td>↘</td></tr> <tr> <td><b>Series</b></td><td><b>75.0</b></td><td></td></tr> <tr> <td><b>Total</b></td><td><b>0.0</b></td><td></td></tr> </table>		<b>Sight</b>					11:	8.0	↖	12:	*10.2	→	13:	6.0	↘	14:	7.9	↘	15:	7.6	→	16:	7.7	↘	17:	8.6	↖	18:	6.4	↑	19:	8.6	→	20:	8.5	↘	<b>Series</b>	<b>75.0</b>		<b>Total</b>	<b>0.0</b>	
1:	☐																																																																															
2:	☐																																																																															
3:	0.0	↑																																																																														
4:	☐																																																																															
5:	0.0	↑																																																																														
6:	0.0	↑																																																																														
7:	0.0	↑																																																																														
8:	7.4	↘																																																																														
9:	7.8	↘																																																																														
10:	6.0	→																																																																														
<b>Series</b>	<b>20.0</b>																																																																															
<b>Total</b>	<b>0.0</b>																																																																															
	<b>Sight</b>																																																																															
																																																																																
11:	8.0	↖																																																																														
12:	*10.2	→																																																																														
13:	6.0	↘																																																																														
14:	7.9	↘																																																																														
15:	7.6	→																																																																														
16:	7.7	↘																																																																														
17:	8.6	↖																																																																														
18:	6.4	↑																																																																														
19:	8.6	→																																																																														
20:	8.5	↘																																																																														
<b>Series</b>	<b>75.0</b>																																																																															
<b>Total</b>	<b>0.0</b>																																																																															

	<table border="1" style="width:100%; border-collapse: collapse;"> <tr><td>21:</td><td>5.3</td><td>↑</td></tr> <tr><td>22:</td><td>6.9</td><td>↗</td></tr> <tr><td>23:</td><td>9.9</td><td>↘</td></tr> <tr><td>24:</td><td>6.7</td><td>↗</td></tr> <tr><td>25:</td><td>10.0</td><td>↖</td></tr> <tr><td><b>Series</b></td><td><b>36.0</b></td><td></td></tr> <tr><td><b>Total</b></td><td><b>0.0</b></td><td></td></tr> </table>	21:	5.3	↑	22:	6.9	↗	23:	9.9	↘	24:	6.7	↗	25:	10.0	↖	<b>Series</b>	<b>36.0</b>		<b>Total</b>	<b>0.0</b>		<table border="1" style="width:100%; border-collapse: collapse;"> <tr> <td style="width:15%;"></td> <td style="width:15%;"><b>Sight</b></td> <td style="width:60%;"></td> </tr> <tr> <td></td> <td></td> <td></td> </tr> <tr> <td>1:</td><td>9.0</td><td>→</td></tr> <tr> <td>2:</td><td>7.3</td><td>↗</td></tr> <tr> <td>3:</td><td>7.9</td><td>↑</td></tr> <tr> <td>4:</td><td>5.0</td><td>↑</td></tr> <tr> <td>5:</td><td>9.0</td><td>←</td></tr> <tr> <td>6:</td><td>7.8</td><td>↘</td></tr> <tr> <td>7:</td><td>10.1</td><td>←</td></tr> <tr> <td>8:</td><td>7.3</td><td>↑</td></tr> <tr> <td>9:</td><td>8.2</td><td>↑</td></tr> <tr> <td>10:</td><td>6.0</td><td>→</td></tr> <tr> <td><b>Series</b></td><td><b>75.0</b></td><td></td></tr> <tr> <td><b>Total</b></td><td><b>75.0</b></td><td></td></tr> </table>		<b>Sight</b>					1:	9.0	→	2:	7.3	↗	3:	7.9	↑	4:	5.0	↑	5:	9.0	←	6:	7.8	↘	7:	10.1	←	8:	7.3	↑	9:	8.2	↑	10:	6.0	→	<b>Series</b>	<b>75.0</b>		<b>Total</b>	<b>75.0</b>	
21:	5.3	↑																																																															
22:	6.9	↗																																																															
23:	9.9	↘																																																															
24:	6.7	↗																																																															
25:	10.0	↖																																																															
<b>Series</b>	<b>36.0</b>																																																																
<b>Total</b>	<b>0.0</b>																																																																
	<b>Sight</b>																																																																
																																																																	
1:	9.0	→																																																															
2:	7.3	↗																																																															
3:	7.9	↑																																																															
4:	5.0	↑																																																															
5:	9.0	←																																																															
6:	7.8	↘																																																															
7:	10.1	←																																																															
8:	7.3	↑																																																															
9:	8.2	↑																																																															
10:	6.0	→																																																															
<b>Series</b>	<b>75.0</b>																																																																
<b>Total</b>	<b>75.0</b>																																																																

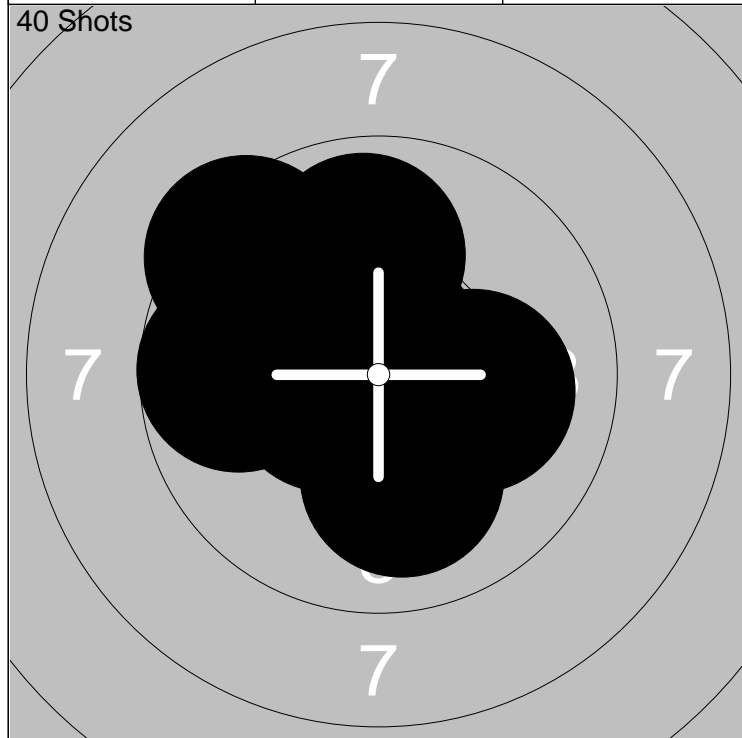
	<table border="1" style="width:100%; border-collapse: collapse;"> <tr><td>11:</td><td>8.0</td><td>↗</td></tr> <tr><td>12:</td><td>6.8</td><td>→</td></tr> <tr><td>13:</td><td>8.8</td><td>↑</td></tr> <tr><td>14:</td><td>7.5</td><td>↖</td></tr> <tr><td>15:</td><td>9.1</td><td>↗</td></tr> <tr><td>16:</td><td>8.2</td><td>↗</td></tr> <tr><td>17:</td><td>6.6</td><td>↖</td></tr> <tr><td>18:</td><td>7.7</td><td>↑</td></tr> <tr><td>19:</td><td>8.7</td><td>↖</td></tr> <tr><td>20:</td><td>7.0</td><td>←</td></tr> <tr><td><b>Series</b></td><td><b>74.0</b></td><td></td></tr> <tr><td><b>Total</b></td><td><b>149.0</b></td><td></td></tr> </table>	11:	8.0	↗	12:	6.8	→	13:	8.8	↑	14:	7.5	↖	15:	9.1	↗	16:	8.2	↗	17:	6.6	↖	18:	7.7	↑	19:	8.7	↖	20:	7.0	←	<b>Series</b>	<b>74.0</b>		<b>Total</b>	<b>149.0</b>		<table border="1" style="width:100%; border-collapse: collapse;"> <tr> <td style="width:15%;"></td> <td style="width:15%;"><b>40 Shots</b></td> <td style="width:60%;"></td> </tr> <tr> <td></td> <td></td> <td></td> </tr> <tr> <td>21:</td><td>8.8</td><td>→</td></tr> <tr> <td>22:</td><td>*10.7</td><td>↘</td></tr> <tr> <td>23:</td><td>8.5</td><td>↗</td></tr> <tr> <td>24:</td><td>9.2</td><td>→</td></tr> <tr> <td>25:</td><td>9.7</td><td>↗</td></tr> <tr> <td>26:</td><td>5.8</td><td>←</td></tr> <tr> <td>27:</td><td>5.9</td><td>←</td></tr> <tr> <td>28:</td><td>7.4</td><td>↗</td></tr> <tr> <td>29:</td><td>8.2</td><td>↘</td></tr> <tr> <td>30:</td><td>7.0</td><td>↖</td></tr> <tr> <td><b>Series</b></td><td><b>76.0</b></td><td></td></tr> <tr> <td><b>Total</b></td><td><b>225.0</b></td><td></td></tr> </table>		<b>40 Shots</b>					21:	8.8	→	22:	*10.7	↘	23:	8.5	↗	24:	9.2	→	25:	9.7	↗	26:	5.8	←	27:	5.9	←	28:	7.4	↗	29:	8.2	↘	30:	7.0	↖	<b>Series</b>	<b>76.0</b>		<b>Total</b>	<b>225.0</b>	
11:	8.0	↗																																																																														
12:	6.8	→																																																																														
13:	8.8	↑																																																																														
14:	7.5	↖																																																																														
15:	9.1	↗																																																																														
16:	8.2	↗																																																																														
17:	6.6	↖																																																																														
18:	7.7	↑																																																																														
19:	8.7	↖																																																																														
20:	7.0	←																																																																														
<b>Series</b>	<b>74.0</b>																																																																															
<b>Total</b>	<b>149.0</b>																																																																															
	<b>40 Shots</b>																																																																															
																																																																																
21:	8.8	→																																																																														
22:	*10.7	↘																																																																														
23:	8.5	↗																																																																														
24:	9.2	→																																																																														
25:	9.7	↗																																																																														
26:	5.8	←																																																																														
27:	5.9	←																																																																														
28:	7.4	↗																																																																														
29:	8.2	↘																																																																														
30:	7.0	↖																																																																														
<b>Series</b>	<b>76.0</b>																																																																															
<b>Total</b>	<b>225.0</b>																																																																															

	<table border="1" style="width:100%; border-collapse: collapse;"> <tr><td>31:</td><td>9.2</td><td>↑</td></tr> <tr><td>32:</td><td>6.9</td><td>↖</td></tr> <tr><td>33:</td><td>7.2</td><td>↑</td></tr> <tr><td>34:</td><td>8.9</td><td>↑</td></tr> <tr><td>35:</td><td>8.6</td><td>↑</td></tr> <tr><td>36:</td><td>7.7</td><td>→</td></tr> <tr><td>37:</td><td>7.2</td><td>←</td></tr> <tr><td>38:</td><td>*10.5</td><td>→</td></tr> <tr><td>39:</td><td>7.5</td><td>↖</td></tr> <tr><td>40:</td><td>7.4</td><td>↖</td></tr> <tr><td><b>Series</b></td><td><b>76.0</b></td><td></td></tr> <tr><td><b>Total</b></td><td><b>301.0</b></td><td></td></tr> </table>	31:	9.2	↑	32:	6.9	↖	33:	7.2	↑	34:	8.9	↑	35:	8.6	↑	36:	7.7	→	37:	7.2	←	38:	*10.5	→	39:	7.5	↖	40:	7.4	↖	<b>Series</b>	<b>76.0</b>		<b>Total</b>	<b>301.0</b>		
31:	9.2	↑																																				
32:	6.9	↖																																				
33:	7.2	↑																																				
34:	8.9	↑																																				
35:	8.6	↑																																				
36:	7.7	→																																				
37:	7.2	←																																				
38:	*10.5	→																																				
39:	7.5	↖																																				
40:	7.4	↖																																				
<b>Series</b>	<b>76.0</b>																																					
<b>Total</b>	<b>301.0</b>																																					



1: 9.5 ←	6: 9.6 ↙	Series 94.0
2: 9.7 ↙	7: *10.4 ↘	
3: 9.0 ↙	8: 10.0 →	Total 0.0
4: 9.4 ←	9: *10.2 ↘	
5: 9.6 ←	10: *10.5 ↗	

11: *10.4 ↓	Series 20.0
12: *10.7 ↖	
	Total 0.0



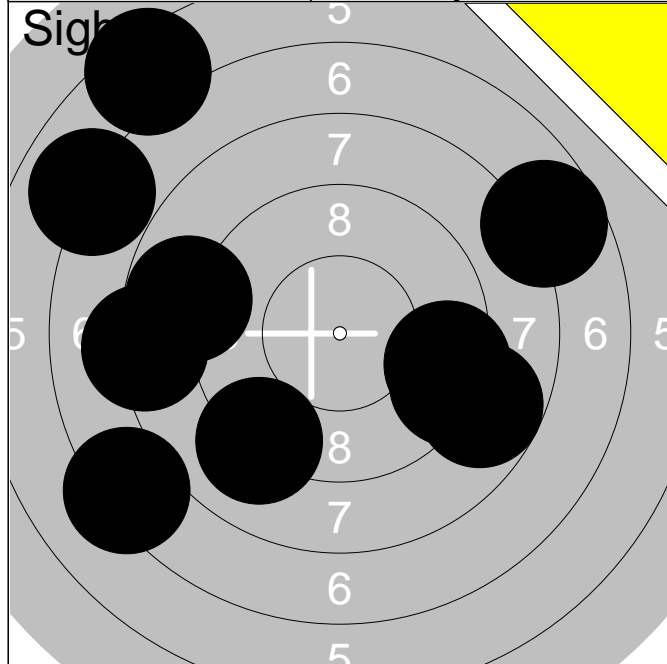
1: *10.7 ↑	6: *10.2 ↙	Series 97.0
2: *10.5 ↙	7: 9.4 ↖	
3: 10.1 →	8: 10.0 ↑	Total 97.0
4: *10.3 ↓	9: 9.9 ↑	
5: 9.7 ←	10: 10.0 ↓	

11: 9.9 ←	16: *10.8 ↙	Series 99.0
12: *10.2 ↖	17: 10.0 ↓	
13: *10.4 ↙	18: *10.6 ↙	Total 196.0
14: *10.3 ↙	19: *10.6 ↓	
15: *10.3 ↓	20: 10.1 ↘	

Relay	Lane	Henrik Hörnemalm		
2	13			

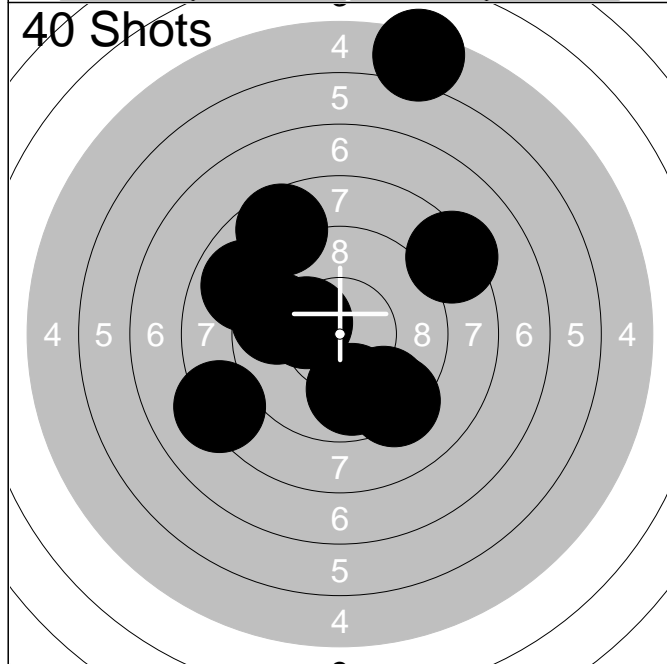
10m	Ramselefors	Funk	Vb
-----	-------------	------	----

03.11.2013	Vindelnskyttet 2013	Ramselefors SKF
------------	---------------------	-----------------



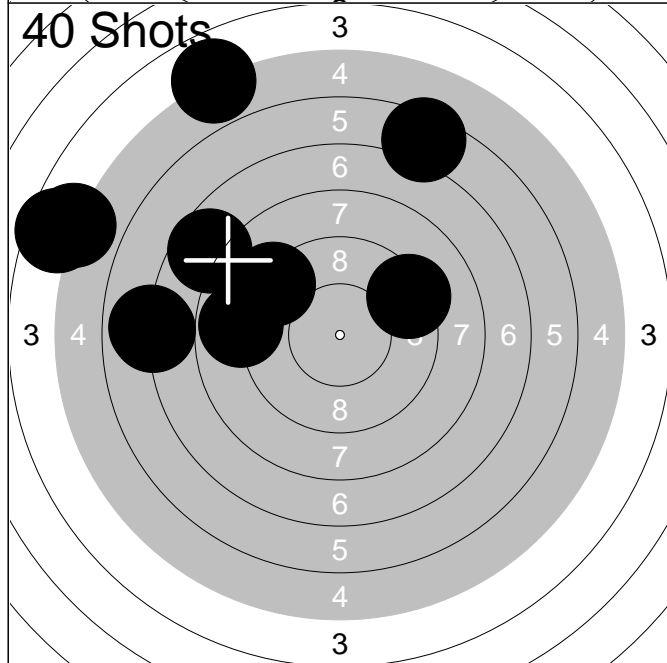
1:	7.7	↗
2:	8.2	←
3:	6.9	↗
4:	7.2	↙
5:	8.7	↘
6:	9.2	↘
7:	9.1	↙
8:	6.4	↗
9:	8.8	←
10:	9.4	→

Series	77.0
Total	0.0



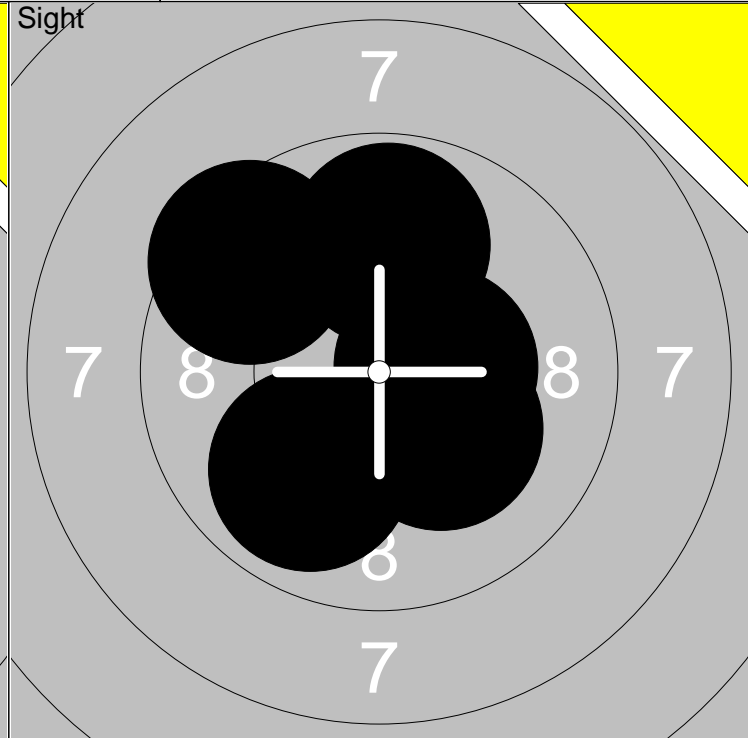
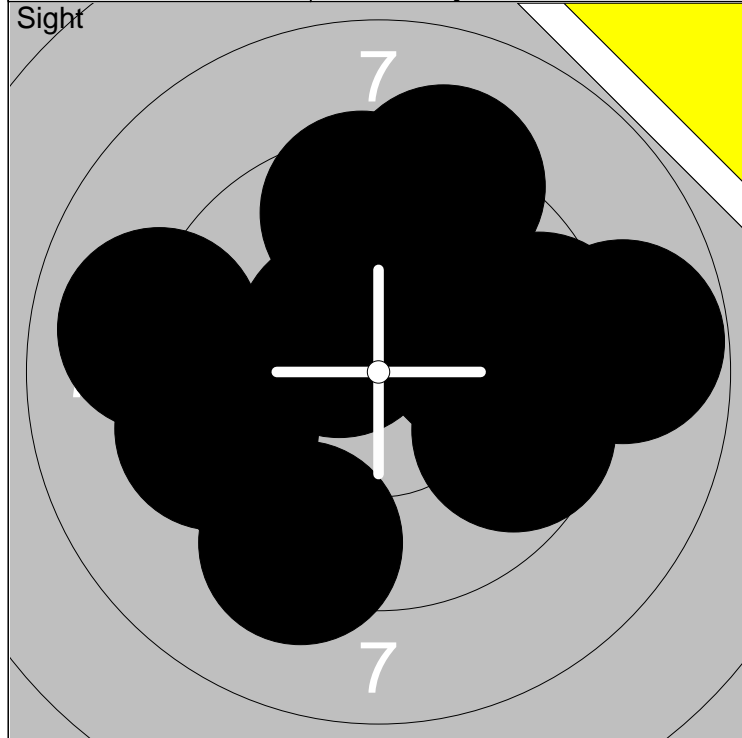
1:	9.3	↘
2:	8.6	↗
3:	5.3	↗
4:	8.9	←
5:	8.3	↗
6:	9.9	↘
7:	8.2	↙
8:	9.7	←
9:	9.5	↘
10:	*10.3	←

Series	83.0
Total	83.0



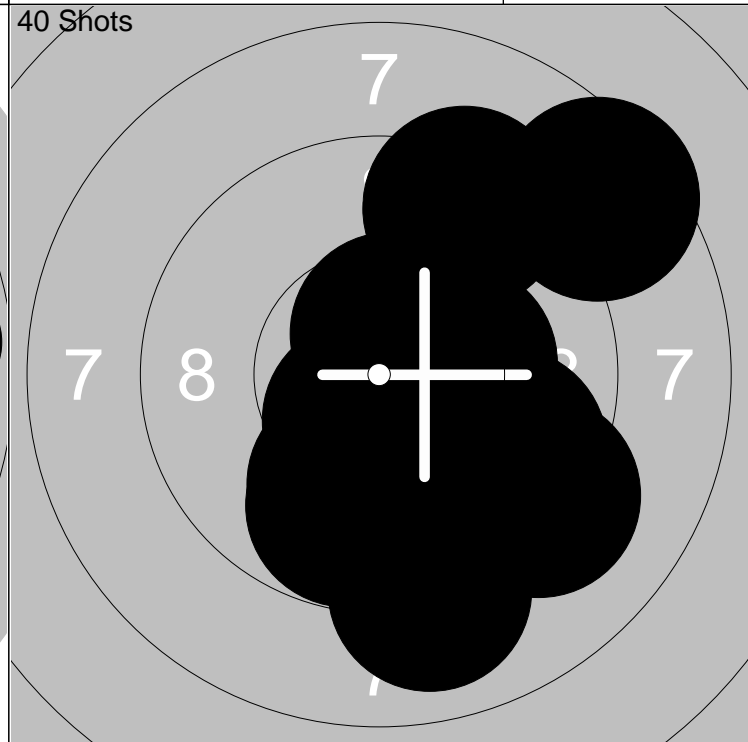
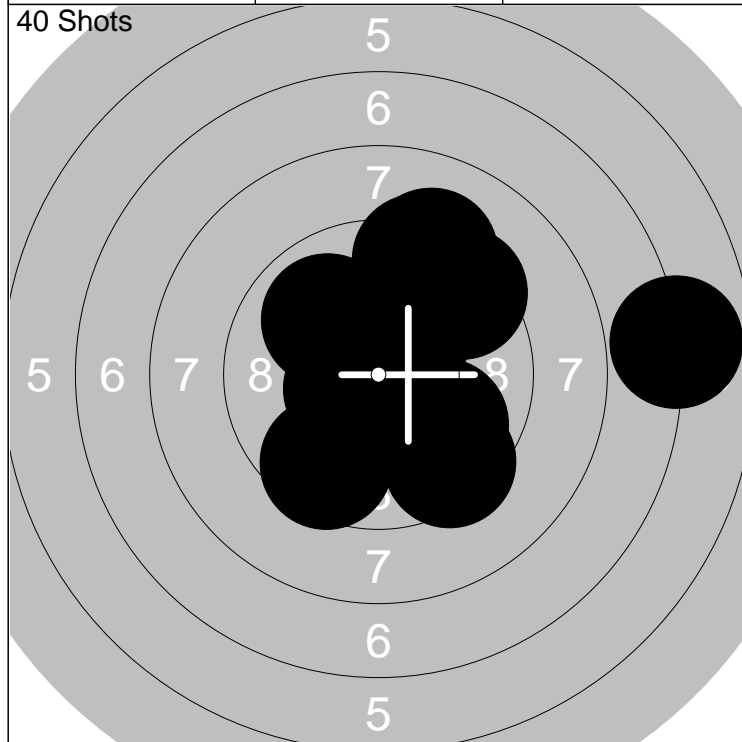
11:	4.5	←
12:	6.9	←
13:	4.8	←
14:	9.3	↗
15:	9.2	↗
16:	7.6	↗
17:	7.0	←
18:	8.8	←
19:	6.4	↗
20:	4.9	↗

Series	64.0
Total	147.0



1: 9.0 ←	6: 10.0 →	Series 91.0
2: 9.3 ↓	7: 8.8 →	
3: 9.4 ←	8: 9.5 →	Total 0.0
4: 9.6 ↑	9: 9.2 ↑	
5: 9.7 →	10: *10.5 ↙	

11: 9.9 ↙	Series 47.0
12: 9.8 ↑	
13: *10.2 ↘	Total 0.0
14: 9.5 ↖	
15: *10.4 →	



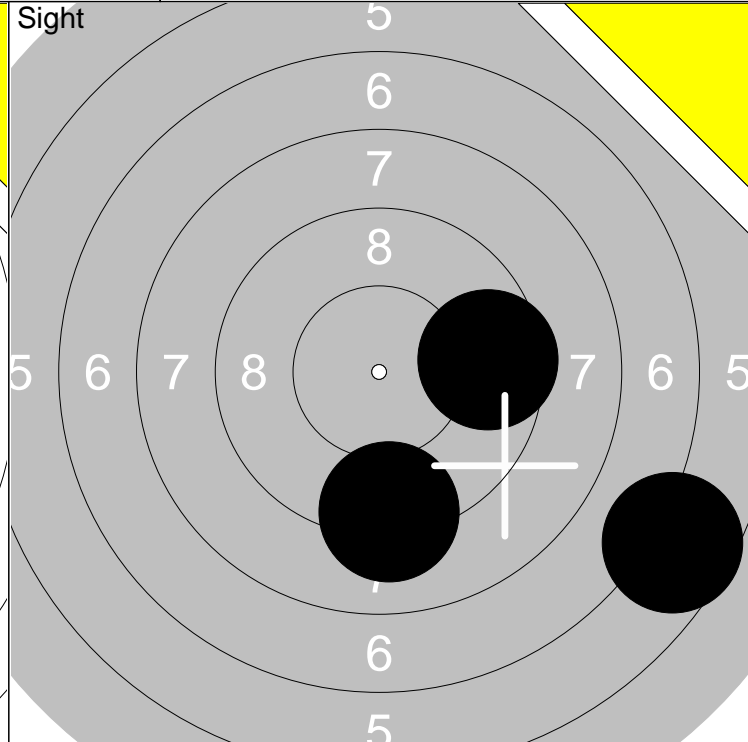
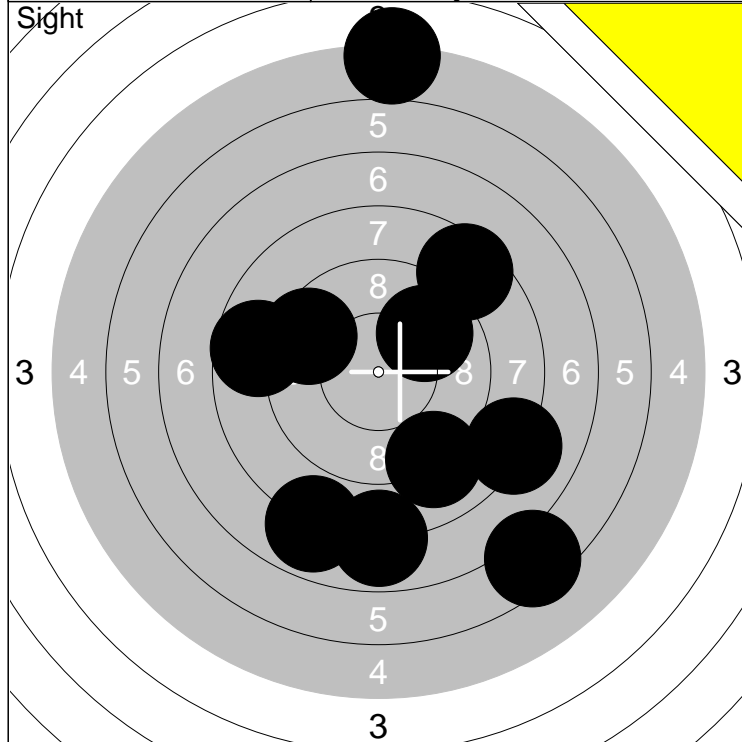
1: *10.5 ↙	6: 6.9 →	Series 89.0
2: 9.2 ↑	7: *10.3 ↗	
3: 9.9 ↖	8: 9.4 ↗	Total 89.0
4: 9.4 ↓	9: 9.9 ↘	
5: 9.3 ↑	10: 9.6 ↓	

11: *10.6 ↗	16: 10.0 ↓	Series 93.0
12: 9.2 ↘	17: 9.3 ↑	
13: 9.8 ↓	18: 9.7 ↘	Total 182.0
14: 9.0 ↓	19: *10.3 →	
15: *10.5 ↓	20: 8.5 ↗	

Relay <b>2</b>	Lane <b>15</b>	<b>Ulf Sjöström</b>			
-------------------	-------------------	---------------------	--	--	--

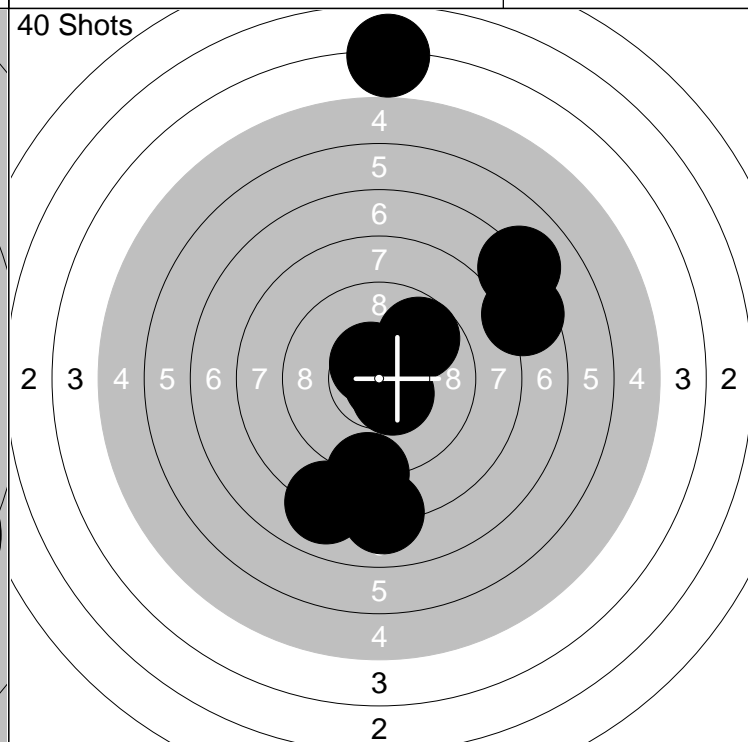
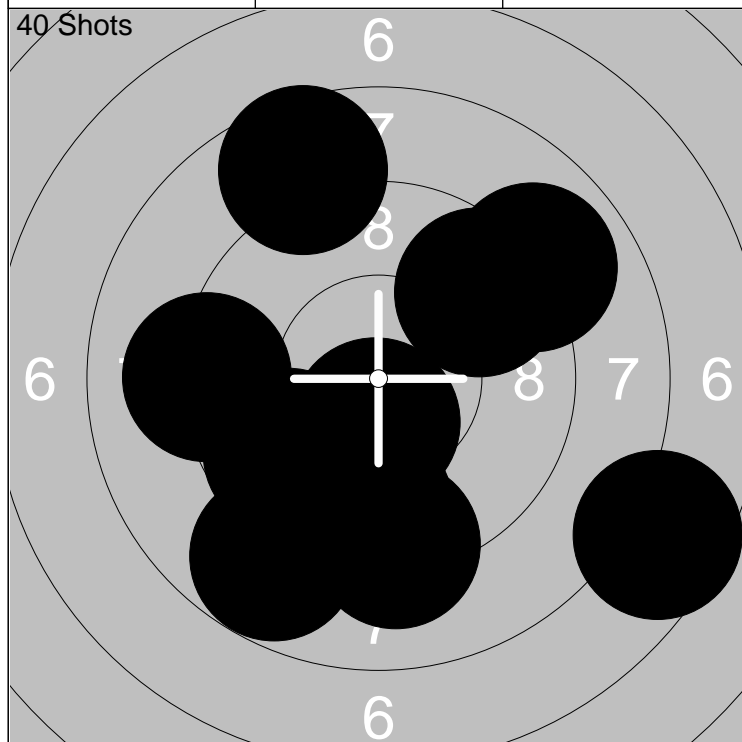
10m	Ramselefors	Funk	Vb
-----	-------------	------	----

03.11.2013	Vindelskyttet 2013	Ramselefors SKF
------------	--------------------	-----------------



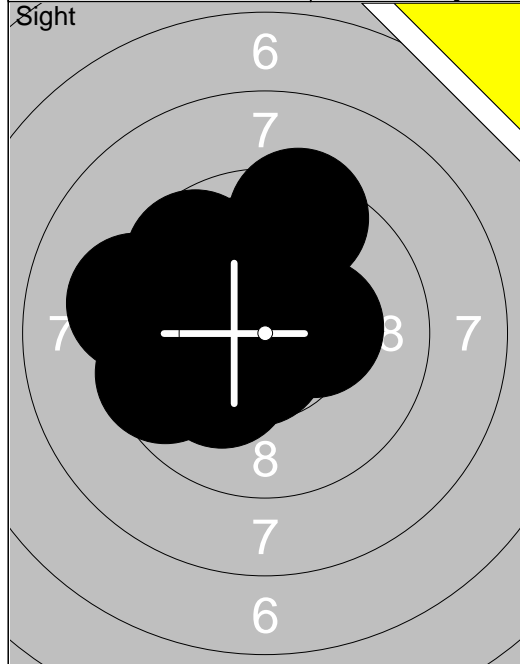
1: 5.0 ↑	6: 7.8 ↓	Series 76.0
2: 8.7 ←	7: 9.8 ↗	
3: 9.5 ↖	8: 8.1 →	Total 0.0
4: 9.0 ↘	9: 7.9 ↓	
5: 8.5 ↗	10: 6.4 ↘	

11: 9.5 →	Series 24.0
12: 6.6 ↘	
13: 9.2 ↓	Total 0.0

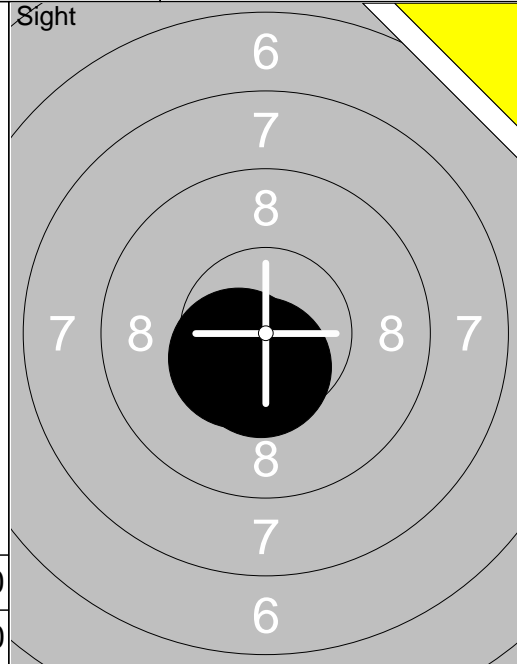


1: 9.7 ↖	6: 9.6 ↓	Series 86.0
2: 9.2 ↓	7: 8.9 ↗	
3: 7.5 →	8: 8.8 ↓	Total 86.0
4: 9.5 ↗	9: 9.1 ←	
5: *10.5 ↓	10: 8.6 ↑	

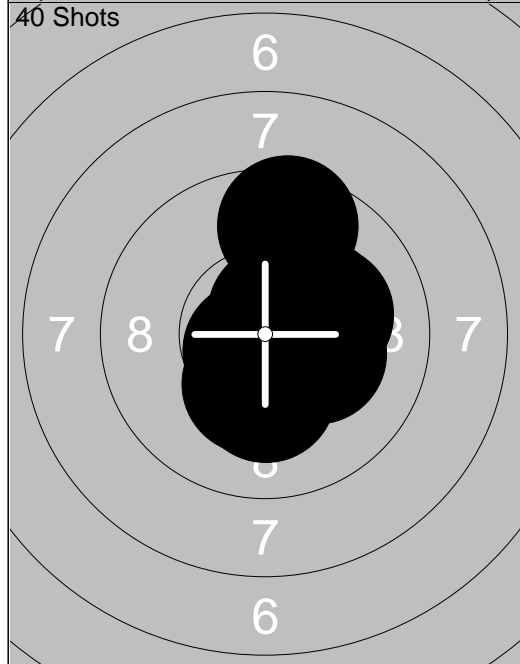
11: 8.9 ↓	16: 9.7 ↗	Series 80.0
12: 8.0 ↓	17: *10.6 ↖	
13: 8.0 ↓	18: 7.5 →	Total 166.0
14: 3.9 ↑	19: *10.5 ↘	
15: *10.8 →	20: 7.1 ↗	



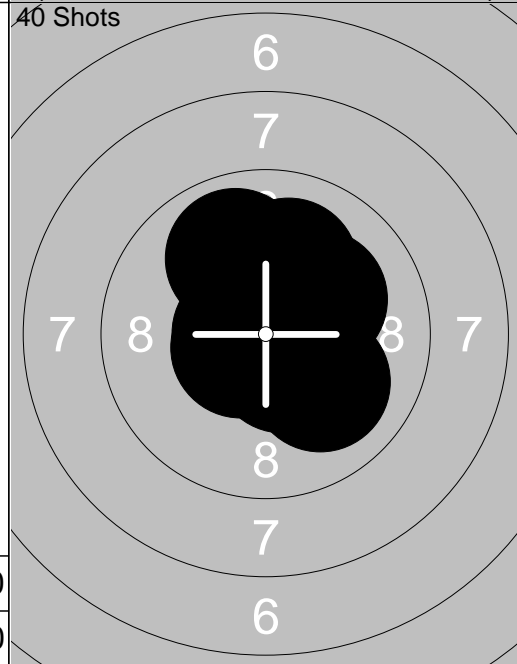
1: *10.2
2: 10.1
3: 9.6
4: 9.3
5: 9.7
6: *10.6
7: 9.4
8: *10.5
9: 10.0
10: *10.3
Series 96.0
Total 0.0



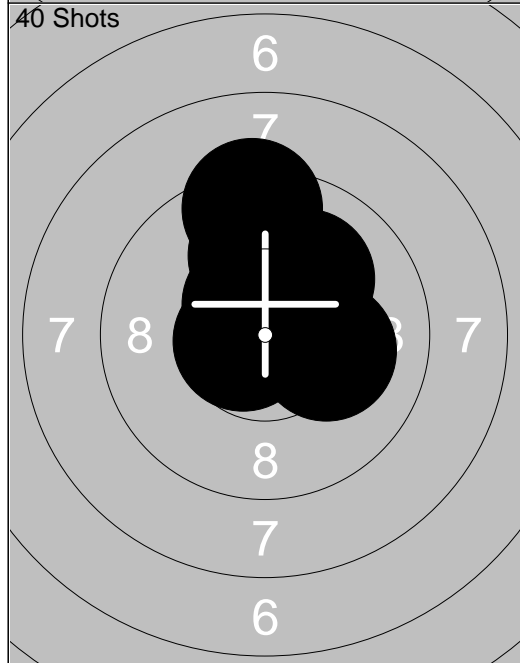
11: *10.5
12: *10.5
Series 20.0
Total 0.0



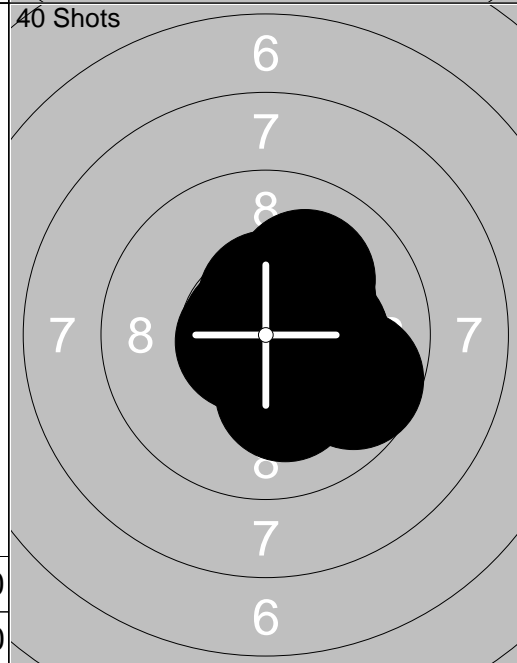
1: *10.3
2: *10.6
3: *10.9
4: 9.5
5: *10.2
6: *10.2
7: *10.7
8: *10.2
9: *10.7
10: *10.2
Series 99.0
Total 99.0



11: *10.6
12: 10.1
13: *10.7
14: 10.0
15: *10.5
16: *10.5
17: *10.5
18: 9.9
19: *10.9
20: *10.2
Series 99.0
Total 198.0

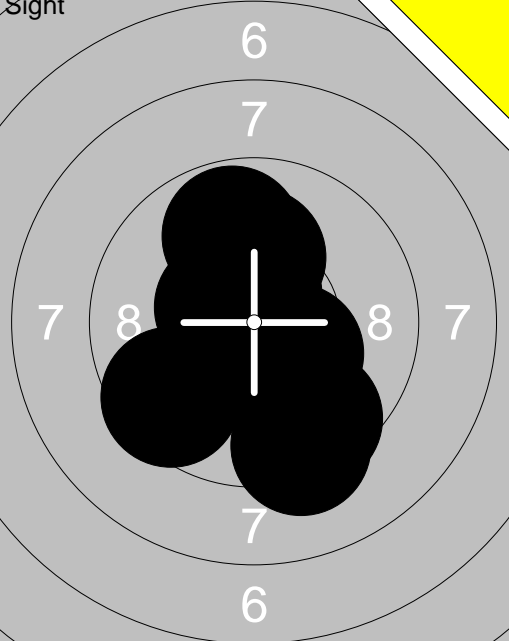
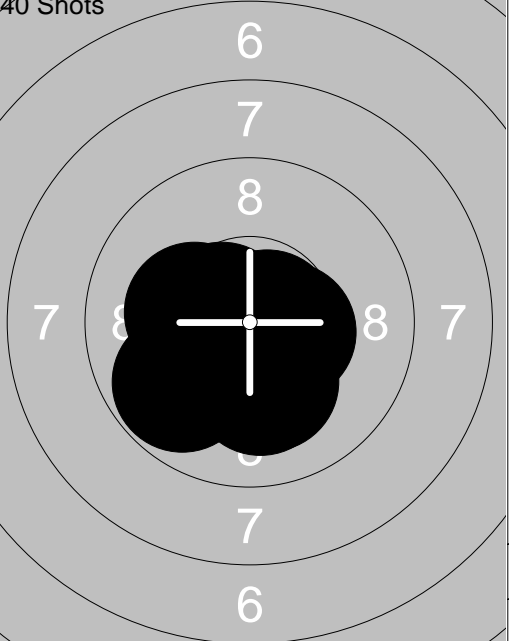


21: 10.1
22: *10.7
23: *10.6
24: *10.5
25: *10.7
26: 9.3
27: *10.5
28: 9.9
29: *10.6
30: 10.1
Series 98.0
Total 296.0




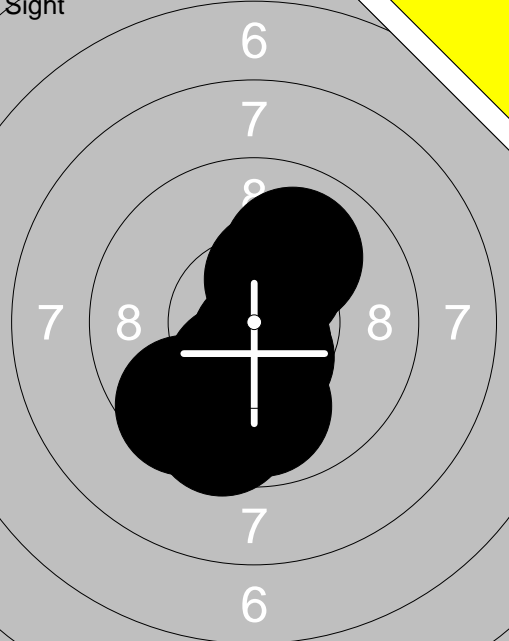
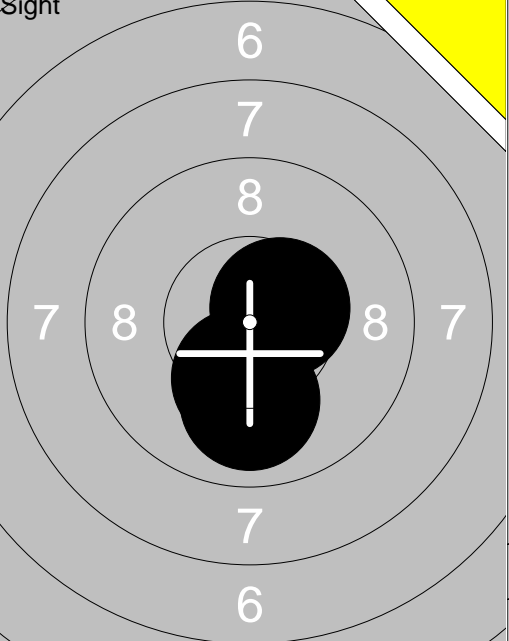
31: 10.1
32: *10.8
33: *10.3
34: 9.7
35: *10.3
36: *10.7
37: *10.6
38: *10.2
39: *10.5
40: *10.2
Series 99.0
Total 395.0


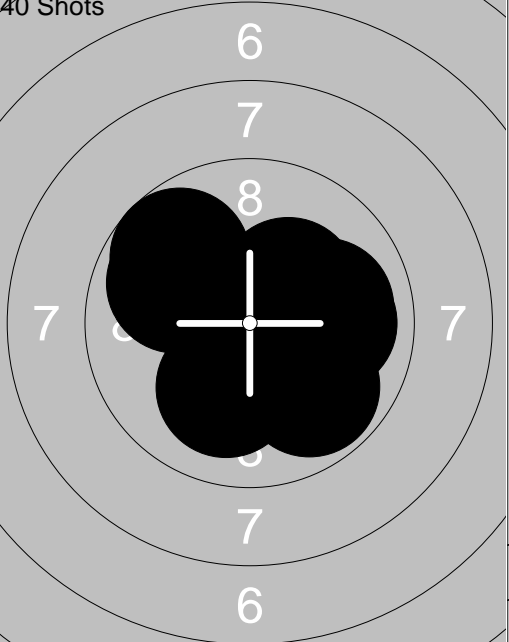



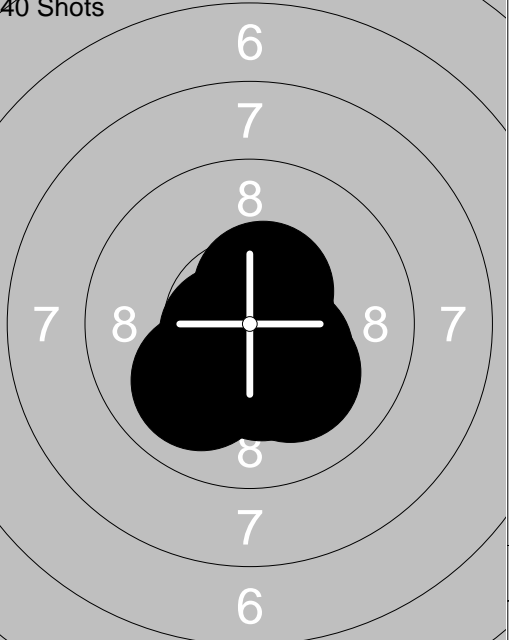
 <p style="font-size: 8pt;">Sight</p>	<p>1: 9.3 ↓</p> <p>2: 9.5 ↓</p> <p>3: *10.5 ↘</p> <p>4: 9.5 ↙</p> <p>5: *10.8 ↘</p> <p>6: 10.1 ↑</p> <p>7: 9.8 ↑</p> <p>8: *10.6 ↑</p> <p>9: *10.3 ↘</p> <p>10: *10.5 ↘</p>	<p>40 Shots</p> 	<p>1: *10.2 ↘</p> <p>2: *10.6 ↘</p> <p>3: 10.1 ↓</p> <p>4: *10.4 ↘</p> <p>5: *10.5 ↘</p> <p>6: *10.7 →</p> <p>7: *10.2 ↘</p> <p>8: 9.8 ↙</p> <p>9: *10.5 →</p> <p>10: *10.6 ↘</p>
Series 96.0		Series 99.0	
Total 0.0		Total 99.0	

<p>40 Shots</p> 	<p>11: 10.1 ↓</p> <p>12: *10.4 ↘</p> <p>13: *10.2 ↘</p> <p>14: 10.1 ↗</p> <p>15: *10.6 ↑</p> <p>16: 10.1 ↑</p> <p>17: *10.3 ↑</p> <p>18: *10.4 ↑</p> <p>19: 10.1 →</p> <p>20: *10.4 ↓</p>	<p>40 Shots</p> 	<p>21: *10.6 ↘</p> <p>22: 9.4 ↑</p> <p>23: *10.3 ↘</p> <p>24: *10.3 ↘</p> <p>25: 10.0 ↓</p> <p>26: *10.7 →</p> <p>27: *10.5 ↑</p> <p>28: *10.3 ↘</p> <p>29: *10.2 ↑</p> <p>30: *10.5 ↑</p>
Series 100.0		Series 99.0	
Total 199.0		Total 298.0	

<p>40 Shots</p> 	<p>31: *10.7 ↘</p> <p>32: *10.2 ↘</p> <p>33: *10.7 ↘</p> <p>34: *10.5 ↘</p> <p>35: *10.6 ↘</p> <p>36: *10.2 →</p> <p>37: *10.4 ↘</p> <p>38: *10.7 ↘</p> <p>39: 10.1 →</p> <p>40: *10.2 →</p>	
Series 100.0		
Total 398.0		

Sight 	1: 10.0 ↓	Sight 	11: *10.2 ↓
	2: *10.5 ↓		12: 10.0 ↓
	3: 9.6 ↓		13: *10.5 →
	4: 9.6 ↙		
5: 9.9 ↓			
6: *10.4 ↓			
7: 10.0 ↗			
8: *10.7 ↓			
9: *10.3 ↓			
10: *10.3 ↗			
Series 97.0		Series 30.0	
Total 0.0		Total 0.0	

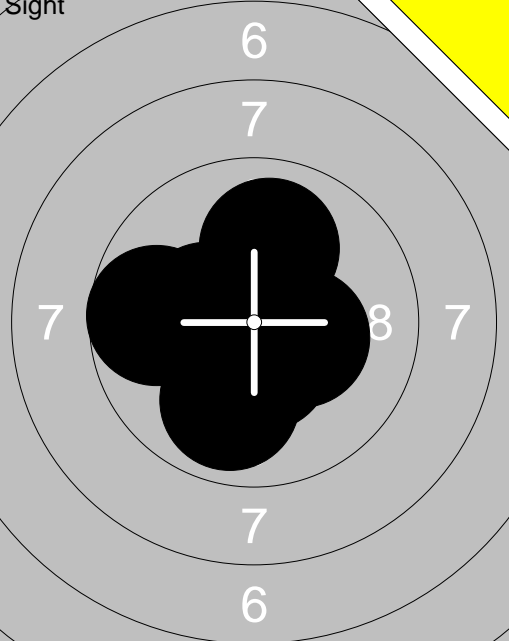

40 Shots 	1: *10.6 ↘	40 Shots 	11: 9.7 ↖
	2: *10.8 ↘		12: 9.8 ↓
	3: *10.2 ↘		13: 10.0 →
	4: *10.3 ↓		14: 10.1 ↖
5: *10.2 ↘		15: 9.9 ↖	
6: *10.5 ↖		16: 10.1 ↓	
7: 10.0 ↑		17: *10.3 ↗	
8: *10.3 ↘		18: *10.5 ↓	
9: *10.2 ↑		19: 10.0 →	
10: 10.1 ↗		20: *10.3 ↓	
Series 100.0		Series 97.0	
Total 100.0		Total 197.0	

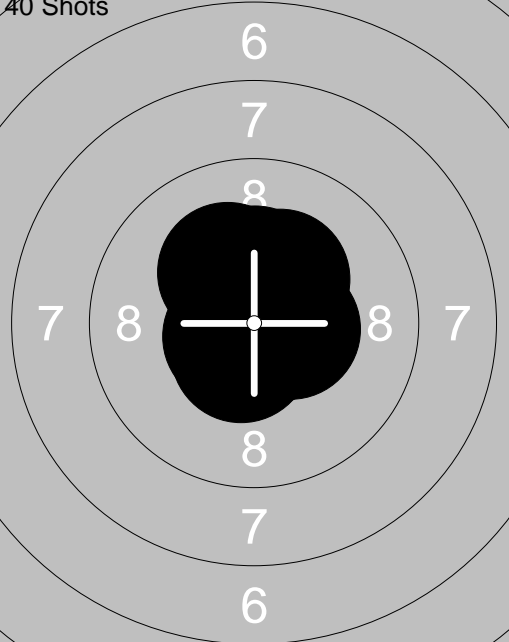
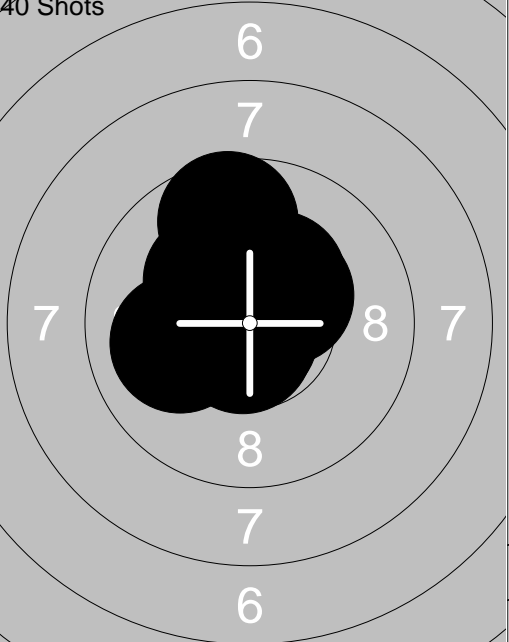
40 Shots 	21: *10.2 ↘	40 Shots 	31: 10.0 ↘
	22: 9.9 →		32: *10.7 ↘
	23: *10.7 ↓		33: *10.4 ↘
	24: *10.4 ↑		34: *10.5 ↑
25: *10.6 ↘		35: *10.5 ↓	
26: *10.3 →		36: *10.3 ↓	
27: *10.6 ↑		37: *10.5 ↘	
28: *10.7 ↑		38: 10.1 ↓	
29: *10.2 ↓		39: *10.7 ↘	
30: *10.5 ↓		40: *10.5 ↓	
Series 99.0		Series 100.0	
Total 296.0		Total 396.0	

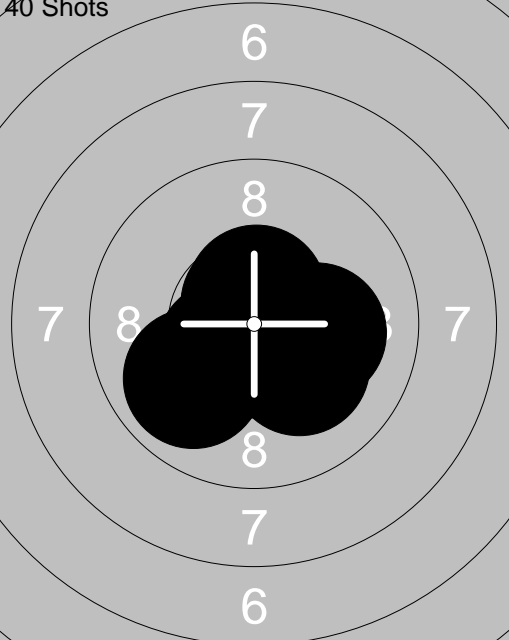
<p>Sight</p>	<p>Sight</p>	
--------------	--------------	--

<p>40 Shots</p>	<p>40 Shots</p>	
-----------------	-----------------	--

<p>40 Shots</p>	<p>40 Shots</p>	
-----------------	-----------------	--

Sight		1: *10.6 ↙	40 Shots		1: *10.7 ↘
		2: *10.3 ↘			2: *10.4 ↘
		3: 9.9 ↓			3: 9.5 ↓
		4: *10.3 ↘			4: *10.8 ↗
		5: *10.6 ↘			5: 10.1 →
		6: 10.0 ↑			6: *10.3 ↘
		7: 9.7 ←			7: *10.6 ↗
		8: *10.4 ↓			8: *10.4 ↗
		9: *10.3 →			9: *10.6 ↘
		10: *10.6 ↙			10: *10.6 ↗
		Series 98.0			Series 99.0
		Total 0.0			Total 99.0

40 Shots		11: *10.3 ↗	40 Shots		21: *10.7 ↘
		12: *10.5 →			22: *10.3 ↗
		13: *10.7 →			23: *10.4 ↘
		14: *10.2 ↘			24: *10.2 ↘
		15: *10.9 ↘			25: 10.0 ←
		16: *10.6 ↘			26: *10.6 ↗
		17: *10.5 ↘			27: 9.6 ↑
		18: *10.3 ↑			28: *10.7 ↘
		19: *10.8 ↘			29: *10.4 ↗
		20: *10.4 ↗			30: *10.8 ↘
		Series 100.0			Series 99.0
		Total 199.0			Total 298.0

40 Shots		31: *10.4 →			
		32: *10.8 ↘			
		33: 10.1 →			
		34: *10.5 ↘			
		35: *10.8 ↑			
		36: 9.9 ↙			
		37: *10.6 ↑			
		38: *10.2 ↘			
		39: *10.6 ↘			
		40: *10.7 ↑			
		Series 99.0			
		Total 397.0			

<p>Sight</p>	<p>Sight</p>
<p>1: 9.5 ↘ 2: 9.5 ↘ 3: 10.0 ↙ 4: 10.1 ↓ 5: *10.2 ↓ 6: 9.7 ← 7: *10.3 ↙ 8: *10.3 ↙ 9: *10.4 ↗ 10: *10.4 ↗</p> <p>Series 97.0 Total 0.0</p>	<p>11: *10.6 ↗ 12: *10.6 ↗ 13: *10.2 ↗ 14: *10.3 ↗ 15: *10.5 ↗ 16: *10.5 ↗ 17: *10.2 ↗ 18: 9.5 ↓ 19: *10.7 ↙ 20: *10.8 ↗</p> <p>Series 99.0 Total 0.0</p>

<p>40 Shots</p>	<p>40 Shots</p>
<p>1: *10.5 ↘ 2: 10.1 ↓ 3: *10.6 ↙ 4: *10.6 ← 5: 10.0 ← 6: *10.5 ↙ 7: *10.8 ↙ 8: *10.8 ↙ 9: *10.3 ↙ 10: *10.7 ↗</p> <p>Series 100.0 Total 100.0</p>	<p>11: *10.2 ↙ 12: 10.1 ↙ 13: *10.4 ↙ 14: *10.5 ↙ 15: *10.5 ↙ 16: 10.1 ↗ 17: *10.6 ↙ 18: *10.5 ↗ 19: 10.1 ↓ 20: *10.6 ↘</p> <p>Series 100.0 Total 200.0</p>

<p>40 Shots</p>	<p>40 Shots</p>
<p>21: *10.5 ↙ 22: 10.1 ↑ 23: *10.6 → 24: *10.4 ↗ 25: *10.7 ↑ 26: *10.5 ↗ 27: *10.3 → 28: *10.4 ← 29: *10.4 ↓ 30: *10.7 ↗</p> <p>Series 100.0 Total 300.0</p>	<p>31: *10.4 ↗ 32: *10.3 ↗ 33: 10.1 ↓ 34: *10.7 → 35: *10.9 ↘ 36: *10.2 ↗ 37: *10.6 ↘ 38: *10.5 ↓ 39: *10.8 ↙ 40: *10.6 ←</p> <p>Series 100.0 Total 400.0</p>

<p>Sight</p>	<p>1: 9.4 ↖ 2: 8.9 ↗ 3: 9.3 ↗ 4: 9.6 ↗ 5: 9.2 ↗ 6: 9.8 ↑ 7: *10.5 ↘ 8: 10.1 ↖ 9: 9.6 ↗ 10: 9.7 ↓</p> <p>Series 91.0 Total 0.0</p>	<p>Sight</p>	<p>11: 10.1 → 12: *10.2 → 13: 9.8 ↓ 14: *10.2 ↓ 15: *10.4 ↓ 16: *10.3 → 17: 10.1 →</p> <p>Series 69.0 Total 0.0</p>
--------------	---	--------------	---

<p>40 Shots</p>	<p>1: *10.5 ↘ 2: *10.7 ↘ 3: *10.3 ↘ 4: 9.9 ↖ 5: *10.4 → 6: *10.6 → 7: *10.5 ↑ 8: 10.0 ← 9: *10.3 ← 10: *10.4 ↓</p> <p>Series 99.0 Total 99.0</p>	<p>40 Shots</p>	<p>11: *10.3 ↘ 12: 10.1 ↑ 13: *10.8 ↓ 14: *10.6 ↗ 15: 9.6 ↓ 16: *10.5 ↓ 17: *10.7 ↓ 18: *10.5 ↓ 19: 10.0 ↗ 20: 9.8 ←</p> <p>Series 98.0 Total 197.0</p>
-----------------	--	-----------------	---

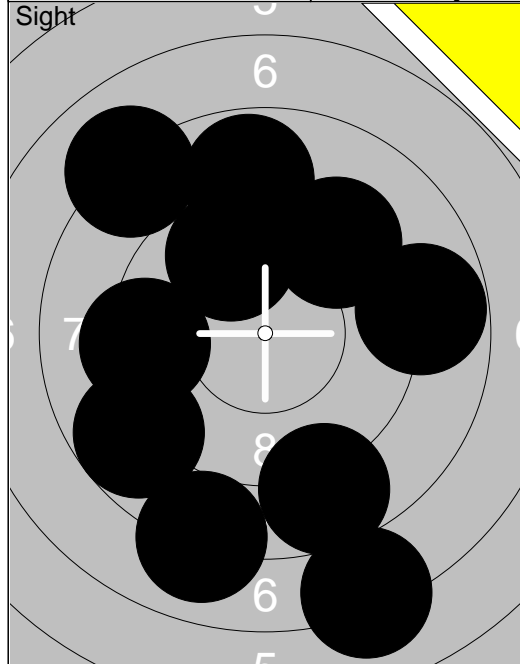
<p>40 Shots</p>	<p>21: *10.4 ↓ 22: *10.3 ↘ 23: *10.3 ↑ 24: *10.2 ↘ 25: *10.4 → 26: *10.7 ↑ 27: *10.2 → 28: 9.9 ↑ 29: 9.7 ↖ 30: *10.4 →</p> <p>Series 98.0 Total 295.0</p>	<p>40 Shots</p>	<p>31: 9.6 ↗ 32: *10.3 ↑ 33: *10.2 ← 34: *10.5 → 35: 9.3 ↗ 36: 10.1 ↗ 37: 9.4 ↗ 38: 9.5 → 39: 9.9 → 40: 9.1 →</p> <p>Series 94.0 Total 389.0</p>
-----------------	---	-----------------	--



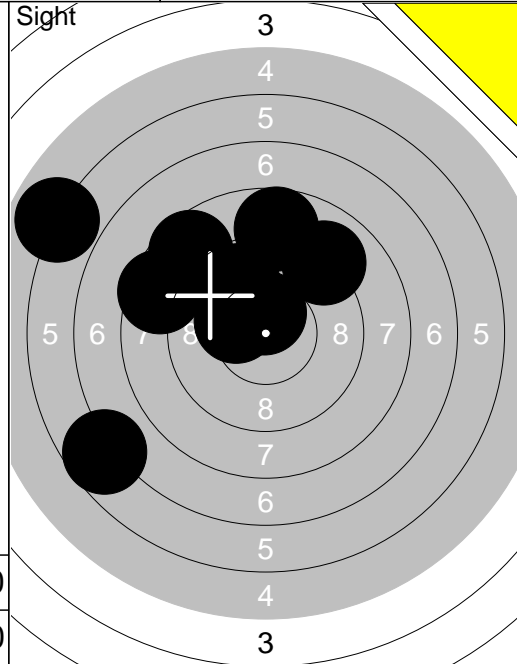
Relay <b>2</b>	Lane <b>26</b>	<b>Isak Andersson</b>		
-------------------	-------------------	-----------------------	--	--

10m	Ramselefors	9	Vb
-----	-------------	---	----

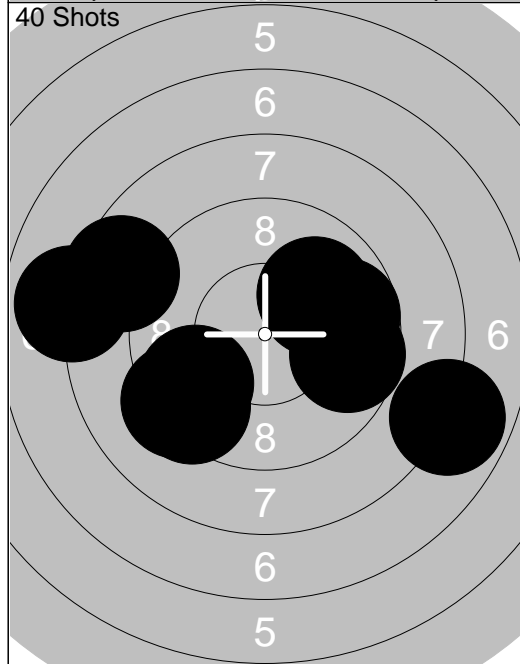
03.11.2013	Vindelskyttet 2013	Ramselefors SKF
------------	--------------------	-----------------



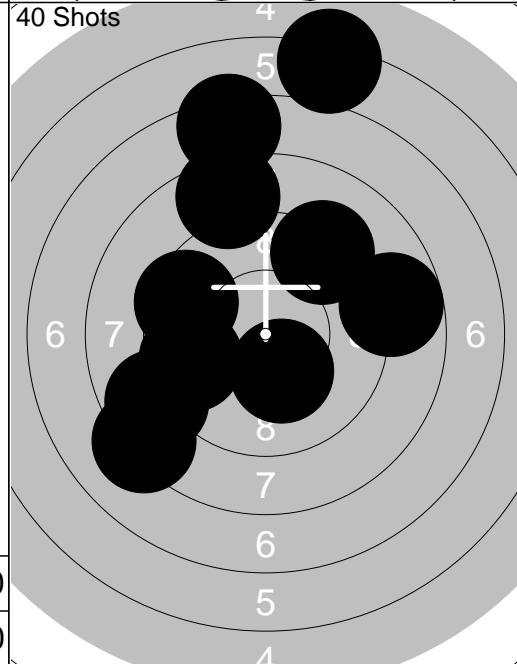
1: 8.1 ↖
2: 7.1 ↓
3: 9.3 ←
4: 9.8 ↗
5: 8.0 ↓
6: 8.7 ↙
7: 8.8 ↑
8: 9.4 ↗
9: 8.7 ↓
10: 8.8 →
Series 82.0
Total 0.0



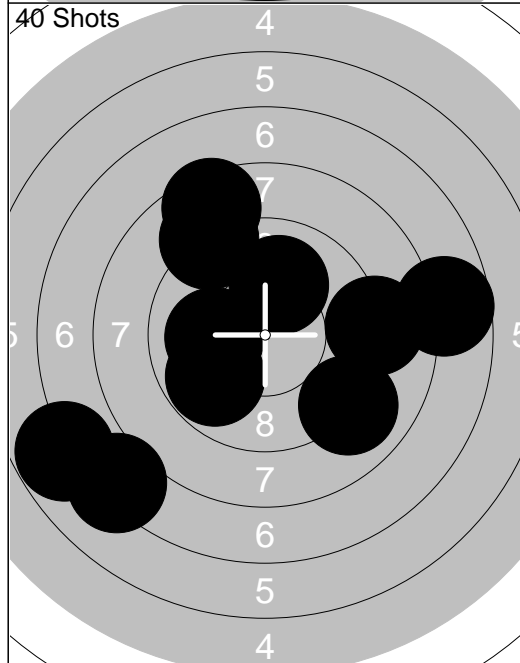
11: 5.9 ↖
12: 8.5 ↙
13: 9.0 ↗
14: 6.7 ↙
15: 8.6 ↙
16: *10.5 ↑
17: 8.7 ↑
18: 9.8 ↖
19: *10.3 ↖
Series 73.0
Total 0.0



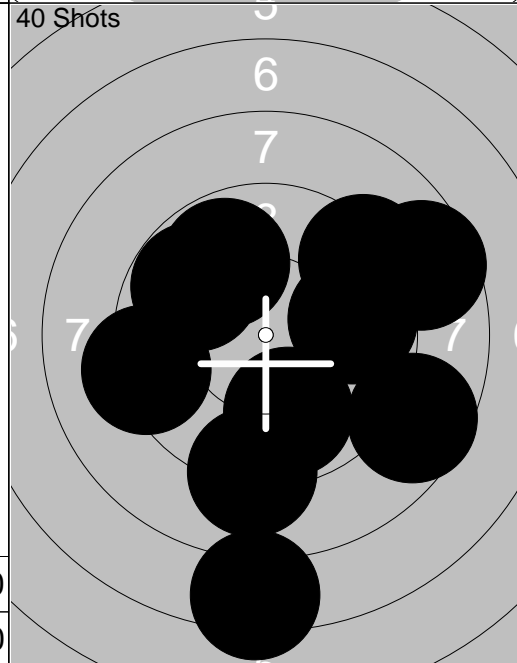
1: 10.0 ↗
2: 9.6 ↙
3: 8.5 ↙
4: 10.0 ↗
5: 9.7 →
6: 7.9 →
7: 9.6 →
8: 7.9 ←
9: 9.4 ↙
10: 9.3 ↙
Series 87.0
Total 87.0



11: 8.2 ↙
12: 8.5 ↑
13: 8.8 ↙
14: 9.5 ↙
15: 6.1 ↑
16: 9.2 ↗
17: 7.3 ↑
18: 9.6 ↙
19: 8.7 →
20: *10.3 ↓
Series 82.0
Total 169.0

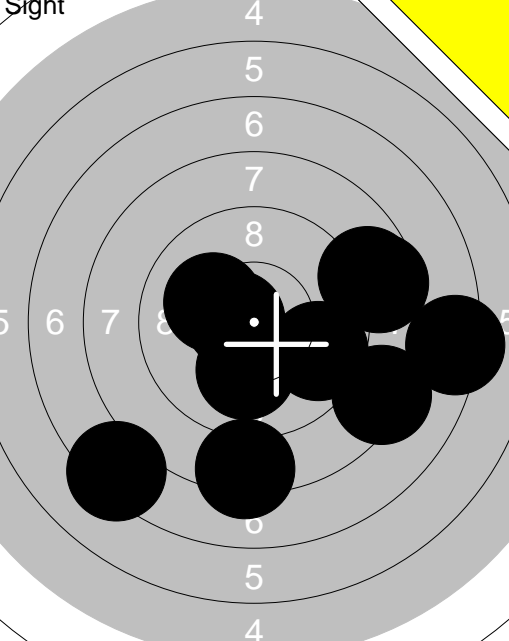
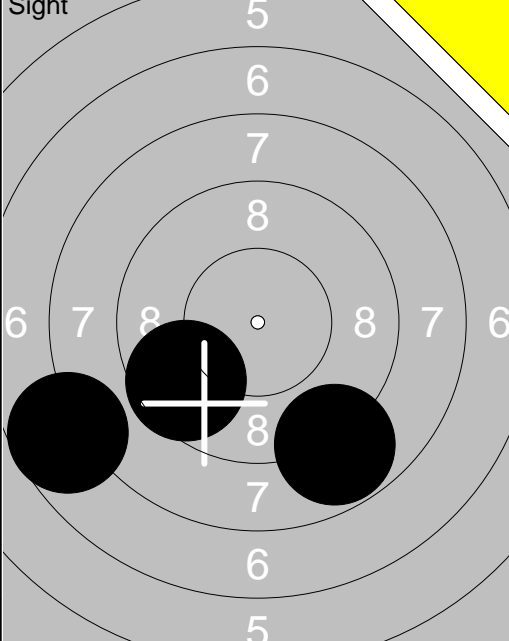


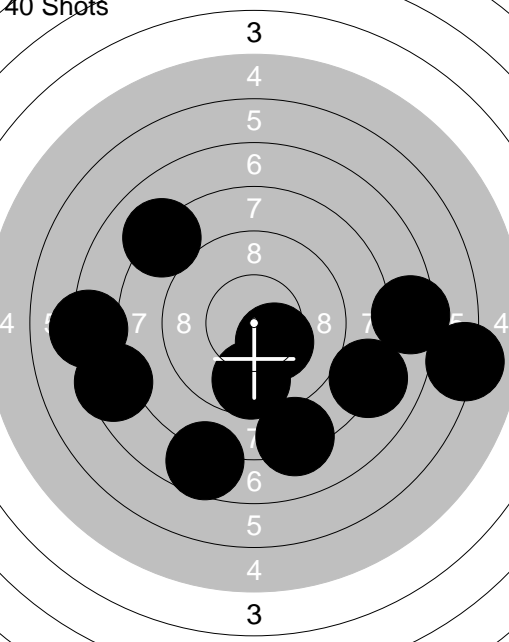
21: 9.0 ↙
22: 9.0 →
23: 7.7 →
24: 6.8 ↙
25: 10.0 ←
26: 9.0 ↗
27: 8.5 ↗
28: 7.2 ↙
29: 9.8 ↙
30: 10.0 ↑
Series 84.0
Total 253.0

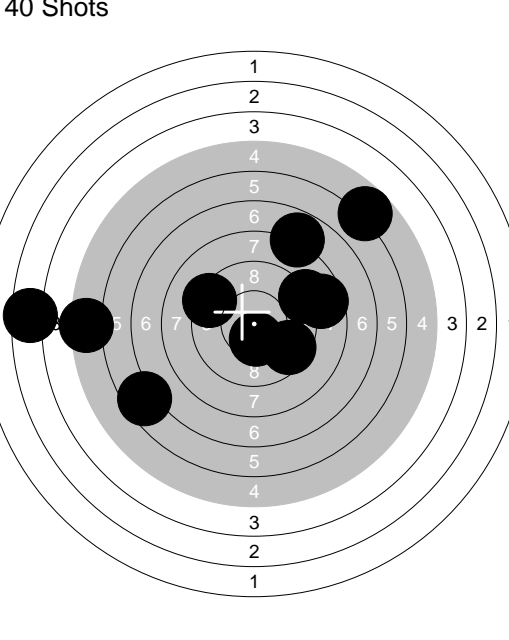
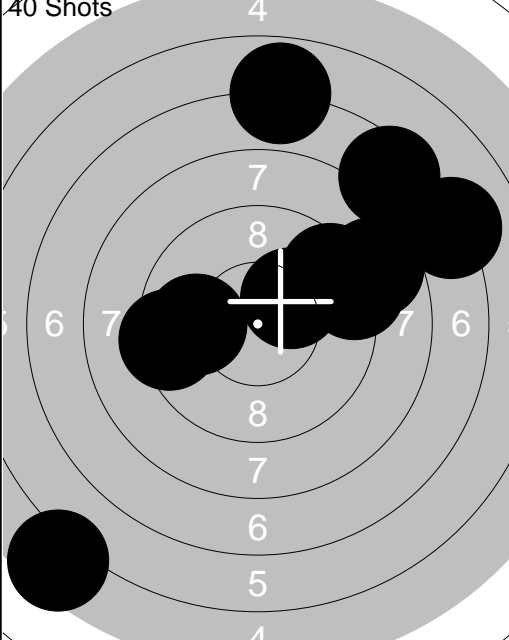


31: 8.6 →
32: 9.2 ↗
33: 8.6 →
34: 9.8 ↙
35: 9.0 ↓
36: 9.8 ↓
37: 9.7 →
38: 9.2 ↙
39: 9.8 ↖
40: 7.4 ↓
Series 86.0
Total 339.0



 <p>Sight</p>	<p>1: 8.6 →</p> <p>2: 10.1 ↓</p> <p>3: 7.3 →</p> <p>4: 8.3 ↓</p> <p>5: 9.7 →</p> <p>6: *10.6 ←</p> <p>7: 10.1 ←</p> <p>8: 7.3 ↙</p> <p>9: 8.3 →</p> <p>10: 8.7 →</p>	 <p>Sight</p>	<p>11: 8.8 ↘</p> <p>12: 9.6 ↙</p> <p>13: 7.7 ↙</p>
<p><b>Series 85.0</b></p> <p><b>Total 0.0</b></p>		<p><b>Series 24.0</b></p> <p><b>Total 0.0</b></p>	


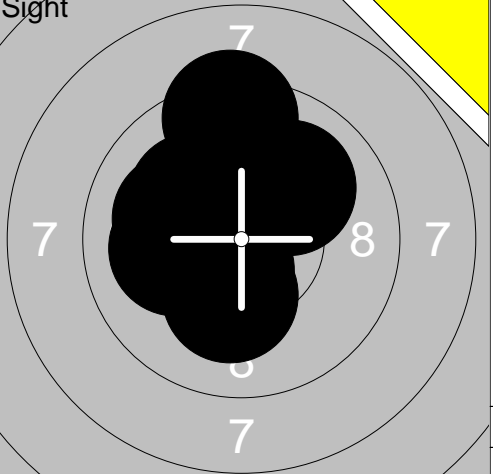
 <p>40 Shots</p>	<p>1: 8.1 →</p> <p>2: 7.5 ←</p> <p>3: 7.2 ←</p> <p>4: *10.3 ↘</p> <p>5: 8.2 ↓</p> <p>6: 8.1 ↗</p> <p>7: 7.6 ↓</p> <p>8: 6.1 →</p> <p>9: 9.7 ↓</p> <p>10: 7.4 →</p>	 <p>40 Shots</p>	<p>11: 9.5 ↗</p> <p>12: 8.2 ←</p> <p>13: 6.7 →</p> <p>14: 9.8 ↓</p> <p>15: 9.7 ↓</p> <p>16: 7.4 →</p> <p>17: 8.6 ↗</p> <p>18: 10.0 ↓</p> <p>19: 4.7 →</p> <p>20: 3.3 →</p>
<p><b>Series 77.0</b></p> <p><b>Total 77.0</b></p>		<p><b>Series 73.0</b></p> <p><b>Total 150.0</b></p>	



 <p>40 Shots</p>	<p>21: 9.0 →</p> <p>22: 9.5 →</p> <p>23: *10.4 ↓</p> <p>24: 3.5 ←</p> <p>25: 5.7 ↗</p> <p>26: 5.4 ←</p> <p>27: 6.5 ↙</p> <p>28: 9.3 ↙</p> <p>29: 7.8 ↗</p> <p>30: 8.6 →</p>	 <p>40 Shots</p>	<p>31: 7.1 →</p> <p>32: 9.4 ↗</p> <p>33: 8.7 →</p> <p>34: 6.9 ↑</p> <p>35: 9.4 ←</p> <p>36: 7.5 ↗</p> <p>37: *10.2 ↗</p> <p>38: 5.5 ↙</p> <p>39: 9.9 ←</p> <p>40: 9.1 →</p>
<p><b>Series 71.0</b></p> <p><b>Total 221.0</b></p>		<p><b>Series 79.0</b></p> <p><b>Total 300.0</b></p>	



	<p>1: 9.1 →</p> <p>2: 7.0 ↘</p> <p>3: 3.7 ↘</p> <p>4: 6.9 →</p> <p>5: 9.6 →</p> <p>6: 9.5 ↘</p> <p>7: 7.2 ↘</p> <p>8: 6.7 ↘</p> <p>9: 8.4 ↘</p> <p>10: 8.9 ↘</p> <hr/> <p>Series 72.0</p> <p>Total 0.0</p>		<p>11: 7.9 ↘</p> <p>12: 8.6 ↘</p> <p>13: 9.7 ↘</p> <p>14: 9.6 →</p> <p>15: *10.4 ↘</p> <p>16: 7.6 ↙</p> <p>17: 5.9 ↘</p> <p>18: 8.3 ↘</p> <p>19: 9.8 ↙</p> <hr/> <p>Series 72.0</p> <p>Total 0.0</p>
--	--	--	--


	<p>1: *10.2 ↑</p> <p>2: 9.4 ↗</p> <p>3: 10.1 ←</p> <p>4: 8.2 →</p> <p>5: 9.9 ↘</p> <p>6: 9.3 ↘</p> <p>7: 8.7 ↘</p> <p>8: *10.7 →</p> <p>9: 8.7 ↘</p> <p>10: *10.9 ↘</p> <hr/> <p>Series 91.0</p> <p>Total 91.0</p>		<p>11: 7.7 →</p> <p>12: 9.7 ↘</p> <p>13: 7.5 ↘</p> <p>14: 8.7 ↘</p> <p>15: *10.3 ↗</p> <p>16: 10.1 ↗</p> <p>17: 9.5 ↘</p> <p>18: 9.0 →</p> <p>19: *10.6 ↙</p> <p>20: *10.4 ↙</p> <hr/> <p>Series 89.0</p> <p>Total 180.0</p>
--	--	--	--

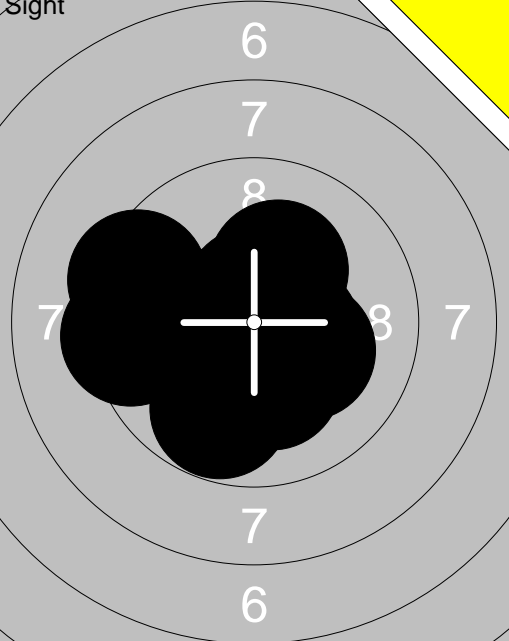
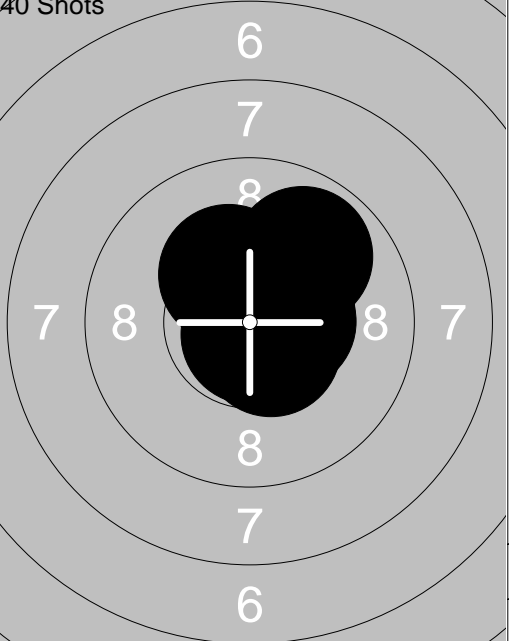
	<p>21: 10.0 →</p> <p>22: 10.0 ↗</p> <p>23: 9.5 →</p> <p>24: 8.8 →</p> <p>25: 6.9 ↘</p> <p>26: 8.0 →</p> <p>27: 9.6 ↙</p> <p>28: 10.0 ↗</p> <p>29: 8.9 ↘</p> <p>30: 9.5 ←</p> <hr/> <p>Series 87.0</p> <p>Total 267.0</p>		<p>31: *10.5 ↘</p> <p>32: *10.9 ↘</p> <p>33: 9.6 ↘</p> <p>34: 10.0 ↙</p> <p>35: 8.5 ↘</p> <p>36: 9.0 →</p> <p>37: 8.4 ↘</p> <p>38: *10.3 →</p> <p>39: *10.8 ↙</p> <p>40: 8.9 ↘</p> <hr/> <p>Series 92.0</p> <p>Total 359.0</p>
--	--	--	--

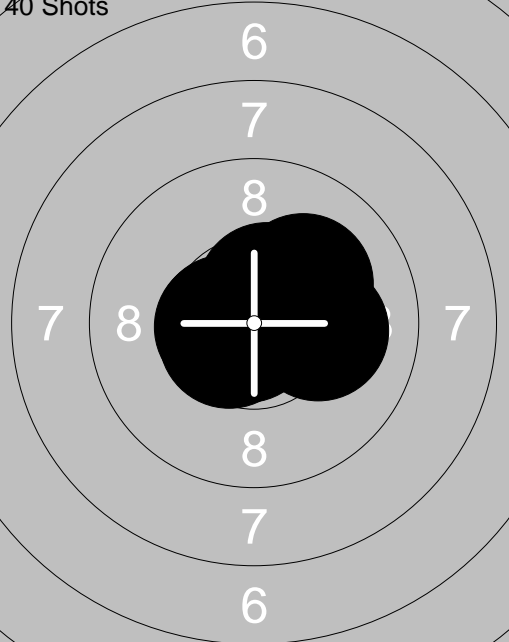
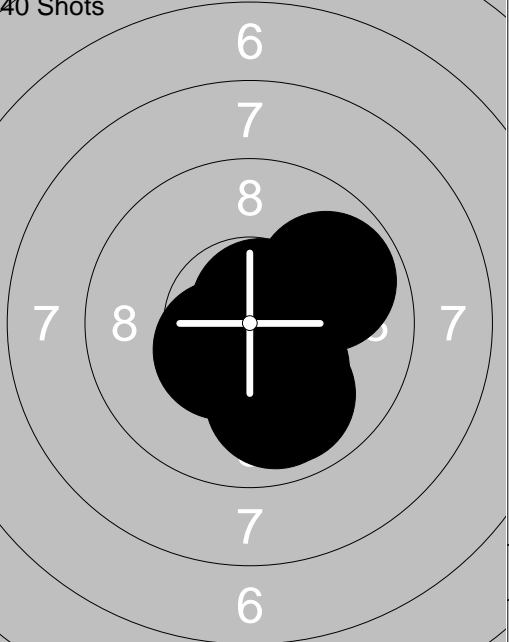
<p><b>Sight</b></p> 	<table border="1" style="width:100%; border-collapse: collapse;"> <tr><td>1:</td><td>8.7</td><td>→</td></tr> <tr><td>2:</td><td>9.9</td><td>→</td></tr> <tr><td>3:</td><td>9.6</td><td>↘</td></tr> <tr><td>4:</td><td>9.4</td><td>↓</td></tr> <tr><td>5:</td><td>9.6</td><td>↘</td></tr> <tr><td>6:</td><td>9.5</td><td>↘</td></tr> <tr><td>7:</td><td>9.6</td><td>←</td></tr> <tr><td>8:</td><td>9.4</td><td>←</td></tr> <tr><td>9:</td><td>*10.9</td><td>↑</td></tr> <tr><td>10:</td><td>9.7</td><td>↘</td></tr> <tr><td colspan="2"><b>Series</b></td><td>90.0</td></tr> <tr><td colspan="2"><b>Total</b></td><td>0.0</td></tr> </table>	1:	8.7	→	2:	9.9	→	3:	9.6	↘	4:	9.4	↓	5:	9.6	↘	6:	9.5	↘	7:	9.6	←	8:	9.4	←	9:	*10.9	↑	10:	9.7	↘	<b>Series</b>		90.0	<b>Total</b>		0.0	<p><b>Sight</b></p>  <table border="1" style="width:100%; border-collapse: collapse;"> <tr><td>11:</td><td>10.1</td><td>↑</td></tr> <tr><td>12:</td><td>10.1</td><td>←</td></tr> <tr><td>13:</td><td>10.1</td><td>↑</td></tr> <tr><td>14:</td><td>*10.5</td><td>↘</td></tr> <tr><td>15:</td><td>*10.3</td><td>←</td></tr> <tr><td>16:</td><td>10.0</td><td>↗</td></tr> <tr><td>17:</td><td>10.1</td><td>←</td></tr> <tr><td>18:</td><td>9.3</td><td>↑</td></tr> <tr><td>19:</td><td>*10.2</td><td>↓</td></tr> <tr><td>20:</td><td>10.1</td><td>↖</td></tr> <tr><td colspan="2"><b>Series</b></td><td>99.0</td></tr> <tr><td colspan="2"><b>Total</b></td><td>0.0</td></tr> </table>	11:	10.1	↑	12:	10.1	←	13:	10.1	↑	14:	*10.5	↘	15:	*10.3	←	16:	10.0	↗	17:	10.1	←	18:	9.3	↑	19:	*10.2	↓	20:	10.1	↖	<b>Series</b>		99.0	<b>Total</b>		0.0
1:	8.7	→																																																																								
2:	9.9	→																																																																								
3:	9.6	↘																																																																								
4:	9.4	↓																																																																								
5:	9.6	↘																																																																								
6:	9.5	↘																																																																								
7:	9.6	←																																																																								
8:	9.4	←																																																																								
9:	*10.9	↑																																																																								
10:	9.7	↘																																																																								
<b>Series</b>		90.0																																																																								
<b>Total</b>		0.0																																																																								
11:	10.1	↑																																																																								
12:	10.1	←																																																																								
13:	10.1	↑																																																																								
14:	*10.5	↘																																																																								
15:	*10.3	←																																																																								
16:	10.0	↗																																																																								
17:	10.1	←																																																																								
18:	9.3	↑																																																																								
19:	*10.2	↓																																																																								
20:	10.1	↖																																																																								
<b>Series</b>		99.0																																																																								
<b>Total</b>		0.0																																																																								


<p><b>Sight</b></p>  <table border="1" style="width:100%; border-collapse: collapse;"> <tr><td>21:</td><td>*10.3</td><td>↗</td></tr> <tr><td>22:</td><td>*10.7</td><td>↖</td></tr> <tr><td colspan="2"><b>Series</b></td><td>20.0</td></tr> <tr><td colspan="2"><b>Total</b></td><td>0.0</td></tr> </table>	21:	*10.3	↗	22:	*10.7	↖	<b>Series</b>		20.0	<b>Total</b>		0.0	<p><b>40 Shots</b></p>  <table border="1" style="width:100%; border-collapse: collapse;"> <tr><td>1:</td><td>*10.4</td><td>→</td></tr> <tr><td>2:</td><td>*10.6</td><td>↗</td></tr> <tr><td>3:</td><td>*10.5</td><td>←</td></tr> <tr><td>4:</td><td>9.7</td><td>↓</td></tr> <tr><td>5:</td><td>*10.6</td><td>↗</td></tr> <tr><td>6:</td><td>*10.2</td><td>→</td></tr> <tr><td>7:</td><td>9.8</td><td>↗</td></tr> <tr><td>8:</td><td>9.7</td><td>↘</td></tr> <tr><td>9:</td><td>9.2</td><td>↑</td></tr> <tr><td>10:</td><td>9.4</td><td>→</td></tr> <tr><td colspan="2"><b>Series</b></td><td>95.0</td></tr> <tr><td colspan="2"><b>Total</b></td><td>95.0</td></tr> </table>	1:	*10.4	→	2:	*10.6	↗	3:	*10.5	←	4:	9.7	↓	5:	*10.6	↗	6:	*10.2	→	7:	9.8	↗	8:	9.7	↘	9:	9.2	↑	10:	9.4	→	<b>Series</b>		95.0	<b>Total</b>		95.0
21:	*10.3	↗																																															
22:	*10.7	↖																																															
<b>Series</b>		20.0																																															
<b>Total</b>		0.0																																															
1:	*10.4	→																																															
2:	*10.6	↗																																															
3:	*10.5	←																																															
4:	9.7	↓																																															
5:	*10.6	↗																																															
6:	*10.2	→																																															
7:	9.8	↗																																															
8:	9.7	↘																																															
9:	9.2	↑																																															
10:	9.4	→																																															
<b>Series</b>		95.0																																															
<b>Total</b>		95.0																																															

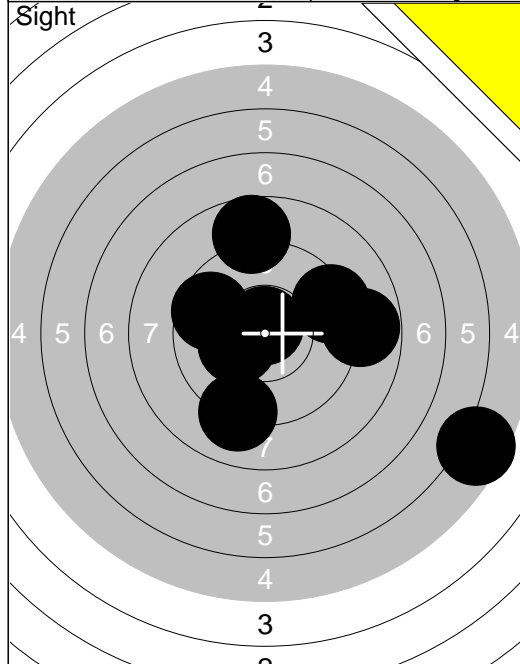
<p><b>40 Shots</b></p>  <table border="1" style="width:100%; border-collapse: collapse;"> <tr><td>11:</td><td>9.8</td><td>→</td></tr> <tr><td>12:</td><td>*10.4</td><td>↑</td></tr> <tr><td>13:</td><td>10.1</td><td>←</td></tr> <tr><td>14:</td><td>*10.2</td><td>↑</td></tr> <tr><td>15:</td><td>9.7</td><td>→</td></tr> <tr><td>16:</td><td>9.2</td><td>↑</td></tr> <tr><td>17:</td><td>10.0</td><td>↓</td></tr> <tr><td>18:</td><td>*10.6</td><td>↗</td></tr> <tr><td>19:</td><td>*10.4</td><td>→</td></tr> <tr><td>20:</td><td>*10.5</td><td>↑</td></tr> <tr><td colspan="2"><b>Series</b></td><td>97.0</td></tr> <tr><td colspan="2"><b>Total</b></td><td>192.0</td></tr> </table>	11:	9.8	→	12:	*10.4	↑	13:	10.1	←	14:	*10.2	↑	15:	9.7	→	16:	9.2	↑	17:	10.0	↓	18:	*10.6	↗	19:	*10.4	→	20:	*10.5	↑	<b>Series</b>		97.0	<b>Total</b>		192.0	<p><b>40 Shots</b></p>  <table border="1" style="width:100%; border-collapse: collapse;"> <tr><td>21:</td><td>*10.4</td><td>→</td></tr> <tr><td>22:</td><td>9.5</td><td>↗</td></tr> <tr><td>23:</td><td>9.4</td><td>↑</td></tr> <tr><td>24:</td><td>9.5</td><td>↑</td></tr> <tr><td>25:</td><td>*10.2</td><td>↑</td></tr> <tr><td>26:</td><td>*10.6</td><td>↘</td></tr> <tr><td>27:</td><td>9.6</td><td>→</td></tr> <tr><td>28:</td><td>9.2</td><td>↑</td></tr> <tr><td>29:</td><td>9.4</td><td>↑</td></tr> <tr><td>30:</td><td>9.8</td><td>↘</td></tr> <tr><td colspan="2"><b>Series</b></td><td>93.0</td></tr> <tr><td colspan="2"><b>Total</b></td><td>285.0</td></tr> </table>	21:	*10.4	→	22:	9.5	↗	23:	9.4	↑	24:	9.5	↑	25:	*10.2	↑	26:	*10.6	↘	27:	9.6	→	28:	9.2	↑	29:	9.4	↑	30:	9.8	↘	<b>Series</b>		93.0	<b>Total</b>		285.0
11:	9.8	→																																																																							
12:	*10.4	↑																																																																							
13:	10.1	←																																																																							
14:	*10.2	↑																																																																							
15:	9.7	→																																																																							
16:	9.2	↑																																																																							
17:	10.0	↓																																																																							
18:	*10.6	↗																																																																							
19:	*10.4	→																																																																							
20:	*10.5	↑																																																																							
<b>Series</b>		97.0																																																																							
<b>Total</b>		192.0																																																																							
21:	*10.4	→																																																																							
22:	9.5	↗																																																																							
23:	9.4	↑																																																																							
24:	9.5	↑																																																																							
25:	*10.2	↑																																																																							
26:	*10.6	↘																																																																							
27:	9.6	→																																																																							
28:	9.2	↑																																																																							
29:	9.4	↑																																																																							
30:	9.8	↘																																																																							
<b>Series</b>		93.0																																																																							
<b>Total</b>		285.0																																																																							

<p><b>40 Shots</b></p>  <table border="1" style="width:100%; border-collapse: collapse;"> <tr><td>31:</td><td>9.9</td><td>↗</td></tr> <tr><td>32:</td><td>9.5</td><td>↗</td></tr> <tr><td>33:</td><td>*10.6</td><td>↑</td></tr> <tr><td>34:</td><td>10.0</td><td>↗</td></tr> <tr><td>35:</td><td>*10.7</td><td>↘</td></tr> <tr><td>36:</td><td>10.1</td><td>←</td></tr> <tr><td>37:</td><td>*10.7</td><td>↗</td></tr> <tr><td>38:</td><td>7.8</td><td>↑</td></tr> <tr><td>39:</td><td>9.6</td><td>→</td></tr> <tr><td>40:</td><td>10.0</td><td>→</td></tr> <tr><td colspan="2"><b>Series</b></td><td>94.0</td></tr> <tr><td colspan="2"><b>Total</b></td><td>379.0</td></tr> </table>	31:	9.9	↗	32:	9.5	↗	33:	*10.6	↑	34:	10.0	↗	35:	*10.7	↘	36:	10.1	←	37:	*10.7	↗	38:	7.8	↑	39:	9.6	→	40:	10.0	→	<b>Series</b>		94.0	<b>Total</b>		379.0	
31:	9.9	↗																																			
32:	9.5	↗																																			
33:	*10.6	↑																																			
34:	10.0	↗																																			
35:	*10.7	↘																																			
36:	10.1	←																																			
37:	*10.7	↗																																			
38:	7.8	↑																																			
39:	9.6	→																																			
40:	10.0	→																																			
<b>Series</b>		94.0																																			
<b>Total</b>		379.0																																			

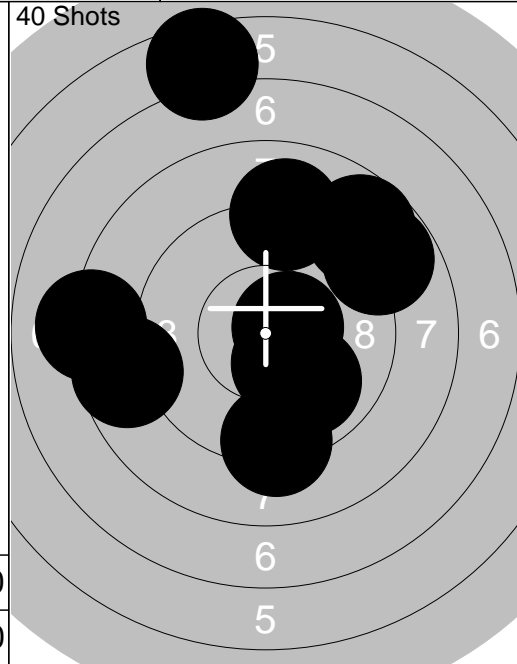
Sight 	1: *10.2 →	40 Shots 	1: 9.9 ↗
	2: 9.8 ↓		2: *10.7 →
	3: *10.2 ↓		3: *10.8 ↑
	4: 9.4 ←		4: *10.6 ↑
	5: 9.4 ←		5: *10.3 ↖
	6: *10.5 →		6: *10.8 ↓
	7: *10.5 ↗		7: *10.9 →
	8: *10.6 ↑		8: *10.5 →
	9: *10.2 ↗		9: *10.5 ↓
	10: *10.5 ←		10: *10.5 →
	Series 97.0		Series 99.0
	Total 0.0		Total 99.0

40 Shots 	11: 10.1 →	40 Shots 	21: *10.6 →
	12: *10.6 ←		22: *10.5 ↘
	13: 10.1 ↗		23: *10.7 ↗
	14: *10.8 ↘		24: 9.9 ↓
	15: *10.5 ↗		25: *10.8 →
	16: *10.5 ↗		26: 9.9 ↓
	17: *10.8 ↘		27: 9.8 ↗
	18: *10.6 ↘		28: 10.1 ↓
	19: *10.6 ←		29: *10.6 ↓
	20: *10.2 ↗		30: *10.3 ↓
	Series 100.0		Series 97.0
	Total 199.0		Total 296.0

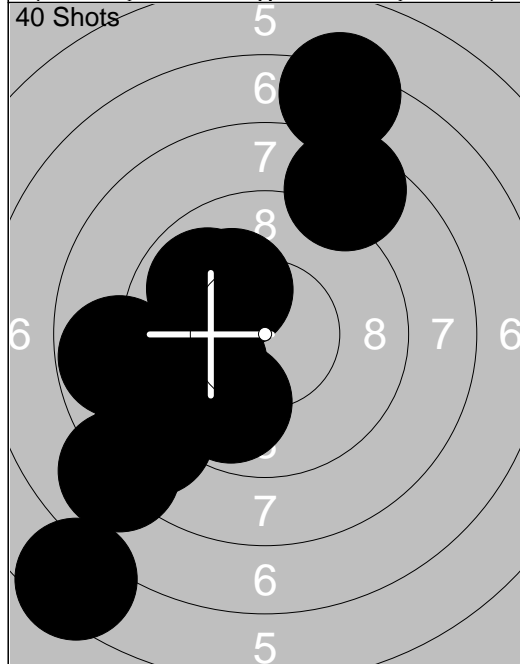
40 Shots 	31: *10.7 ↘	
	32: *10.8 ←	
	33: *10.7 →	
	34: 10.1 ↗	
	35: *10.5 ↑	
	36: *10.5 ↗	
	37: *10.2 ↑	
	38: *10.7 →	
	39: *10.6 →	
	40: 9.3 ↗	
	Series 99.0	
	Total 395.0	



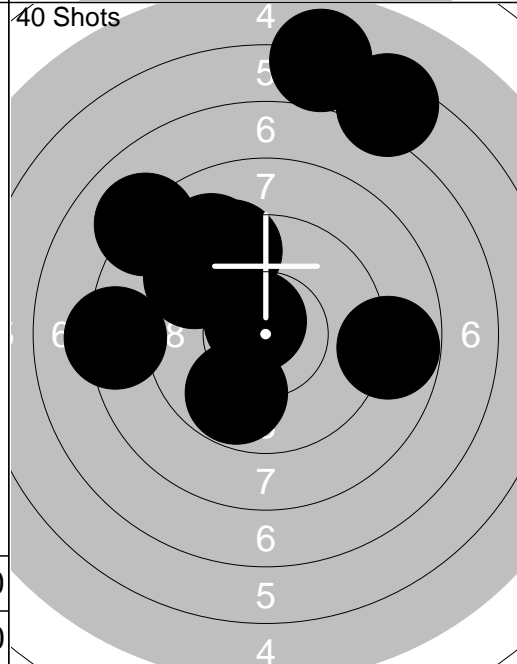
1: 9.6 ←
2: *10.8 ↑
3: 8.7 ↑
4: 9.1 ↓
5: 8.8 →
6: 5.5 ↘
7: *10.3 ↙
8: 9.3 →
<b>Series 68.0</b>
<b>Total 0.0</b>



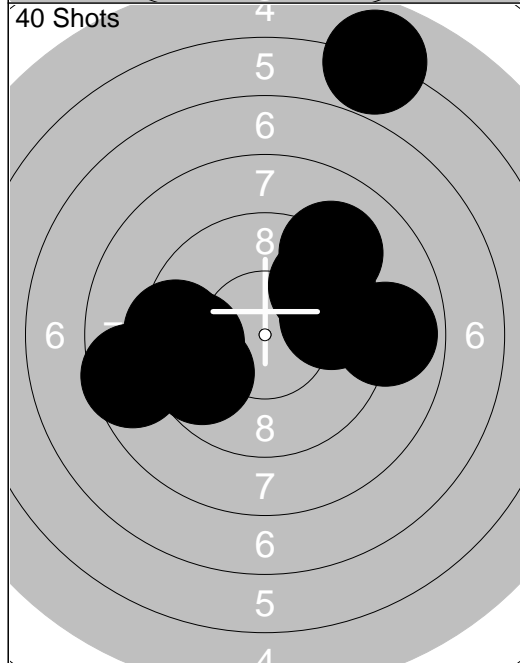
1: *10.4 ↘
2: 8.7 ↗
3: *10.6 →
4: 9.0 ↑
5: 6.5 ↑
6: 9.9 ↓
7: 8.1 ←
8: 8.6 ←
9: 8.8 ↗
10: 9.2 ↓
<b>Series 85.0</b>
<b>Total 85.0</b>



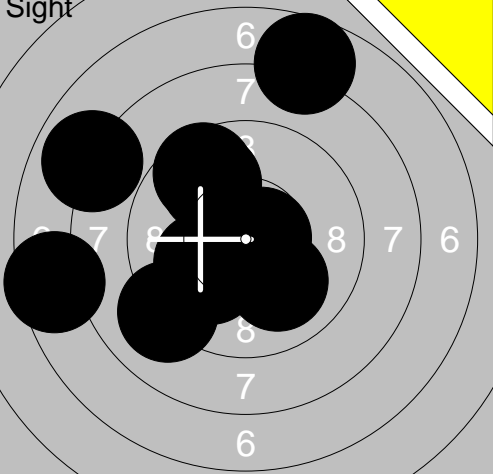
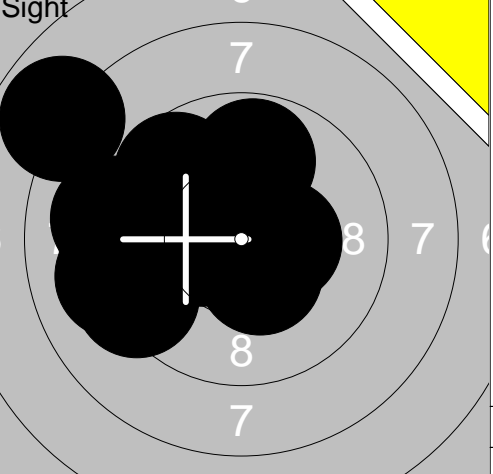
11: 9.8 ↓
12: 8.8 ←
13: 10.0 ↙
14: 9.9 ↖
15: 10.1 ↖
16: 6.4 ↓
17: 8.5 ↗
18: 8.0 ↙
19: 7.3 ↑
20: 8.7 ↙
<b>Series 83.0</b>
<b>Total 168.0</b>





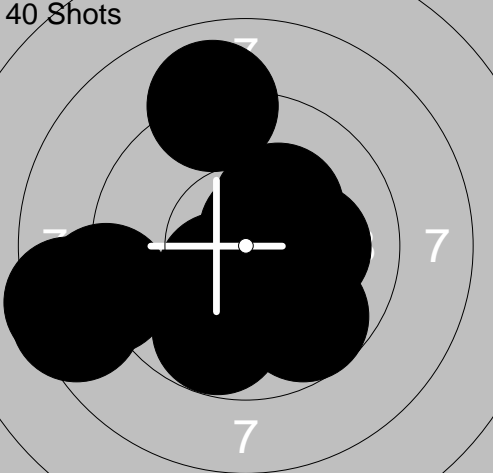
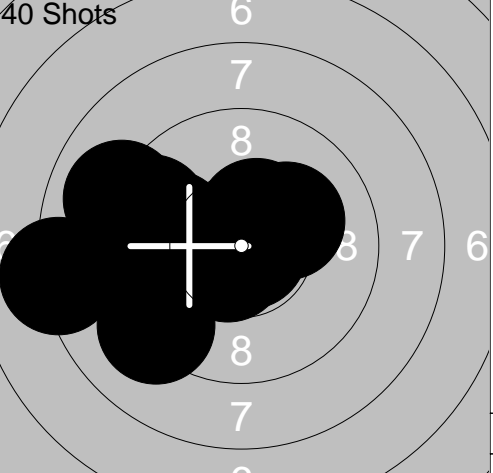
21: 8.3 ←
22: 9.4 ↗
23: 8.1 ↖
24: 9.8 ↓
25: 8.8 →
26: 9.4 ↖
27: 6.0 ↑
28: *10.7 ↖
29: 9.1 ↖
30: 6.4 ↗
<b>Series 82.0</b>
<b>Total 250.0</b>

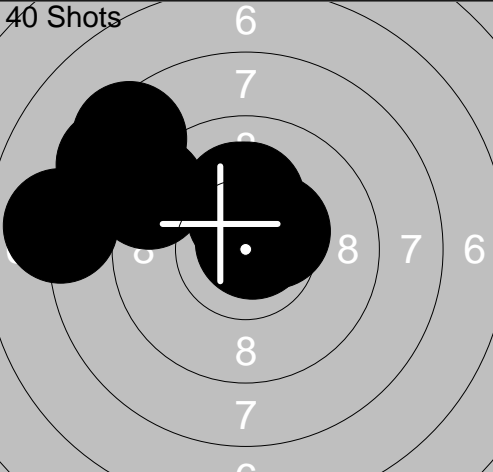
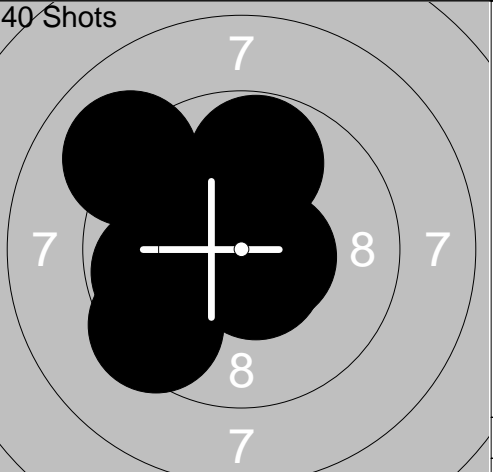


31: 9.4 ←
32: 9.7 ↙
33: 8.6 ←
34: 9.8 →
35: 9.7 ↗
36: 9.1 ↗
37: 5.9 ↑
38: 8.9 →
39: 9.8 →
40: 9.7 ←
<b>Series 84.0</b>
<b>Total 334.0</b>

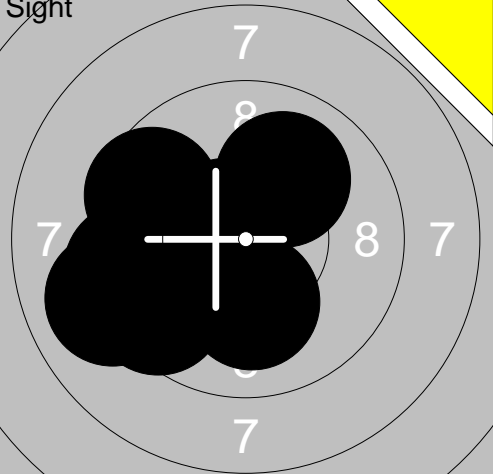
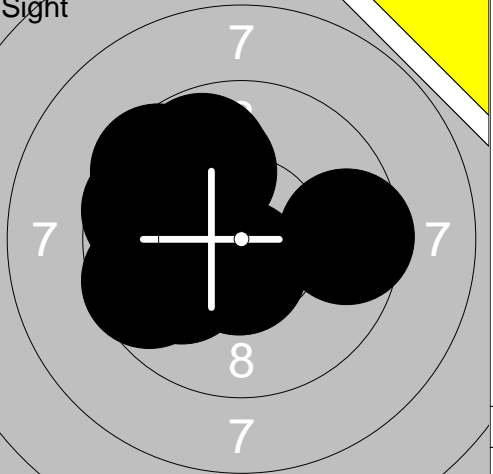
	<table border="1" style="width:100%; border-collapse: collapse;"> <tr><td>1:</td><td>*10.7</td><td>→</td></tr> <tr><td>2:</td><td>9.8</td><td>↗</td></tr> <tr><td>3:</td><td>10.0</td><td>↘</td></tr> <tr><td>4:</td><td>9.6</td><td>↗</td></tr> <tr><td>5:</td><td>10.1</td><td>←</td></tr> <tr><td>6:</td><td>7.9</td><td>↖</td></tr> <tr><td>7:</td><td>10.1</td><td>↘</td></tr> <tr><td>8:</td><td>9.1</td><td>↘</td></tr> <tr><td>9:</td><td>7.5</td><td>←</td></tr> <tr><td>10:</td><td>7.7</td><td>↑</td></tr> <tr><td colspan="2"><b>Series</b></td><td><b>88.0</b></td></tr> <tr><td colspan="2"><b>Total</b></td><td><b>0.0</b></td></tr> </table>	1:	*10.7	→	2:	9.8	↗	3:	10.0	↘	4:	9.6	↗	5:	10.1	←	6:	7.9	↖	7:	10.1	↘	8:	9.1	↘	9:	7.5	←	10:	7.7	↑	<b>Series</b>		<b>88.0</b>	<b>Total</b>		<b>0.0</b>	 <table border="1" style="width:100%; border-collapse: collapse;"> <tr><td>11:</td><td>7.9</td><td>↖</td></tr> <tr><td>12:</td><td>9.8</td><td>↑</td></tr> <tr><td>13:</td><td>9.3</td><td>↙</td></tr> <tr><td>14:</td><td>9.1</td><td>←</td></tr> <tr><td>15:</td><td>*10.4</td><td>←</td></tr> <tr><td>16:</td><td>9.9</td><td>↖</td></tr> <tr><td>17:</td><td>*10.4</td><td>↘</td></tr> <tr><td>18:</td><td>*10.4</td><td>→</td></tr> <tr><td>19:</td><td>9.6</td><td>↗</td></tr> <tr><td>20:</td><td>9.1</td><td>←</td></tr> <tr><td colspan="2"><b>Series</b></td><td><b>91.0</b></td></tr> <tr><td colspan="2"><b>Total</b></td><td><b>0.0</b></td></tr> </table>	11:	7.9	↖	12:	9.8	↑	13:	9.3	↙	14:	9.1	←	15:	*10.4	←	16:	9.9	↖	17:	*10.4	↘	18:	*10.4	→	19:	9.6	↗	20:	9.1	←	<b>Series</b>		<b>91.0</b>	<b>Total</b>		<b>0.0</b>
1:	*10.7	→																																																																								
2:	9.8	↗																																																																								
3:	10.0	↘																																																																								
4:	9.6	↗																																																																								
5:	10.1	←																																																																								
6:	7.9	↖																																																																								
7:	10.1	↘																																																																								
8:	9.1	↘																																																																								
9:	7.5	←																																																																								
10:	7.7	↑																																																																								
<b>Series</b>		<b>88.0</b>																																																																								
<b>Total</b>		<b>0.0</b>																																																																								
11:	7.9	↖																																																																								
12:	9.8	↑																																																																								
13:	9.3	↙																																																																								
14:	9.1	←																																																																								
15:	*10.4	←																																																																								
16:	9.9	↖																																																																								
17:	*10.4	↘																																																																								
18:	*10.4	→																																																																								
19:	9.6	↗																																																																								
20:	9.1	←																																																																								
<b>Series</b>		<b>91.0</b>																																																																								
<b>Total</b>		<b>0.0</b>																																																																								


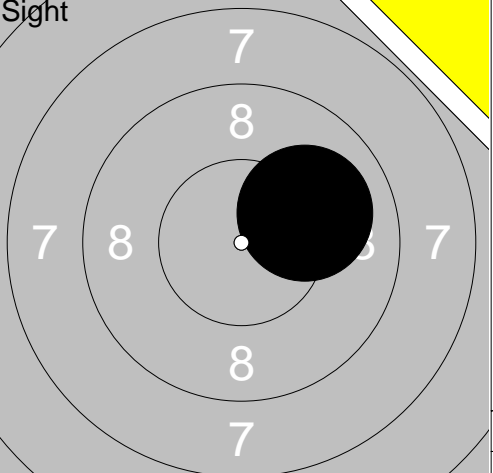
	<table border="1" style="width:100%; border-collapse: collapse;"> <tr><td>21:</td><td>9.9</td><td>↖</td></tr> <tr><td>22:</td><td>8.5</td><td>←</td></tr> <tr><td>23:</td><td>9.8</td><td>↗</td></tr> <tr><td>24:</td><td>9.5</td><td>↗</td></tr> <tr><td>25:</td><td>10.1</td><td>↑</td></tr> <tr><td>26:</td><td>*10.3</td><td>←</td></tr> <tr><td>27:</td><td>9.4</td><td>←</td></tr> <tr><td>28:</td><td>8.8</td><td>←</td></tr> <tr><td>29:</td><td>9.9</td><td>←</td></tr> <tr><td>30:</td><td>*10.3</td><td>↑</td></tr> <tr><td colspan="2"><b>Series</b></td><td><b>91.0</b></td></tr> <tr><td colspan="2"><b>Total</b></td><td><b>0.0</b></td></tr> </table>	21:	9.9	↖	22:	8.5	←	23:	9.8	↗	24:	9.5	↗	25:	10.1	↑	26:	*10.3	←	27:	9.4	←	28:	8.8	←	29:	9.9	←	30:	*10.3	↑	<b>Series</b>		<b>91.0</b>	<b>Total</b>		<b>0.0</b>	 <table border="1" style="width:100%; border-collapse: collapse;"> <tr><td>31:</td><td>8.2</td><td>←</td></tr> <tr><td>32:</td><td>7.6</td><td>←</td></tr> <tr><td>33:</td><td>9.2</td><td>↗</td></tr> <tr><td>34:</td><td>9.5</td><td>↙</td></tr> <tr><td>35:</td><td>9.1</td><td>←</td></tr> <tr><td>36:</td><td>*10.7</td><td>←</td></tr> <tr><td>37:</td><td>9.7</td><td>←</td></tr> <tr><td>38:</td><td>6.7</td><td>←</td></tr> <tr><td>39:</td><td>9.8</td><td>↑</td></tr> <tr><td colspan="2"><b>Series</b></td><td><b>76.0</b></td></tr> <tr><td colspan="2"><b>Total</b></td><td><b>0.0</b></td></tr> </table>	31:	8.2	←	32:	7.6	←	33:	9.2	↗	34:	9.5	↙	35:	9.1	←	36:	*10.7	←	37:	9.7	←	38:	6.7	←	39:	9.8	↑	<b>Series</b>		<b>76.0</b>	<b>Total</b>		<b>0.0</b>
21:	9.9	↖																																																																					
22:	8.5	←																																																																					
23:	9.8	↗																																																																					
24:	9.5	↗																																																																					
25:	10.1	↑																																																																					
26:	*10.3	←																																																																					
27:	9.4	←																																																																					
28:	8.8	←																																																																					
29:	9.9	←																																																																					
30:	*10.3	↑																																																																					
<b>Series</b>		<b>91.0</b>																																																																					
<b>Total</b>		<b>0.0</b>																																																																					
31:	8.2	←																																																																					
32:	7.6	←																																																																					
33:	9.2	↗																																																																					
34:	9.5	↙																																																																					
35:	9.1	←																																																																					
36:	*10.7	←																																																																					
37:	9.7	←																																																																					
38:	6.7	←																																																																					
39:	9.8	↑																																																																					
<b>Series</b>		<b>76.0</b>																																																																					
<b>Total</b>		<b>0.0</b>																																																																					



	<table border="1" style="width:100%; border-collapse: collapse;"> <tr><td>1:</td><td>9.0</td><td>←</td></tr> <tr><td>2:</td><td>8.4</td><td>←</td></tr> <tr><td>3:</td><td>9.8</td><td>↘</td></tr> <tr><td>4:</td><td>9.7</td><td>↘</td></tr> <tr><td>5:</td><td>8.5</td><td>←</td></tr> <tr><td>6:</td><td>*10.6</td><td>↗</td></tr> <tr><td>7:</td><td>10.1</td><td>→</td></tr> <tr><td>8:</td><td>*10.3</td><td>↗</td></tr> <tr><td>9:</td><td>9.0</td><td>↑</td></tr> <tr><td>10:</td><td>*10.4</td><td>↘</td></tr> <tr><td colspan="2"><b>Series</b></td><td><b>92.0</b></td></tr> <tr><td colspan="2"><b>Total</b></td><td><b>92.0</b></td></tr> </table>	1:	9.0	←	2:	8.4	←	3:	9.8	↘	4:	9.7	↘	5:	8.5	←	6:	*10.6	↗	7:	10.1	→	8:	*10.3	↗	9:	9.0	↑	10:	*10.4	↘	<b>Series</b>		<b>92.0</b>	<b>Total</b>		<b>92.0</b>	 <table border="1" style="width:100%; border-collapse: collapse;"> <tr><td>11:</td><td>9.5</td><td>↖</td></tr> <tr><td>12:</td><td>9.2</td><td>↘</td></tr> <tr><td>13:</td><td>*10.2</td><td>↗</td></tr> <tr><td>14:</td><td>8.1</td><td>←</td></tr> <tr><td>15:</td><td>9.9</td><td>←</td></tr> <tr><td>16:</td><td>9.8</td><td>←</td></tr> <tr><td>17:</td><td>9.0</td><td>←</td></tr> <tr><td>18:</td><td>*10.6</td><td>↘</td></tr> <tr><td>19:</td><td>*10.5</td><td>↗</td></tr> <tr><td>20:</td><td>*10.8</td><td>↘</td></tr> <tr><td colspan="2"><b>Series</b></td><td><b>93.0</b></td></tr> <tr><td colspan="2"><b>Total</b></td><td><b>185.0</b></td></tr> </table>	11:	9.5	↖	12:	9.2	↘	13:	*10.2	↗	14:	8.1	←	15:	9.9	←	16:	9.8	←	17:	9.0	←	18:	*10.6	↘	19:	*10.5	↗	20:	*10.8	↘	<b>Series</b>		<b>93.0</b>	<b>Total</b>		<b>185.0</b>
1:	9.0	←																																																																								
2:	8.4	←																																																																								
3:	9.8	↘																																																																								
4:	9.7	↘																																																																								
5:	8.5	←																																																																								
6:	*10.6	↗																																																																								
7:	10.1	→																																																																								
8:	*10.3	↗																																																																								
9:	9.0	↑																																																																								
10:	*10.4	↘																																																																								
<b>Series</b>		<b>92.0</b>																																																																								
<b>Total</b>		<b>92.0</b>																																																																								
11:	9.5	↖																																																																								
12:	9.2	↘																																																																								
13:	*10.2	↗																																																																								
14:	8.1	←																																																																								
15:	9.9	←																																																																								
16:	9.8	←																																																																								
17:	9.0	←																																																																								
18:	*10.6	↘																																																																								
19:	*10.5	↗																																																																								
20:	*10.8	↘																																																																								
<b>Series</b>		<b>93.0</b>																																																																								
<b>Total</b>		<b>185.0</b>																																																																								


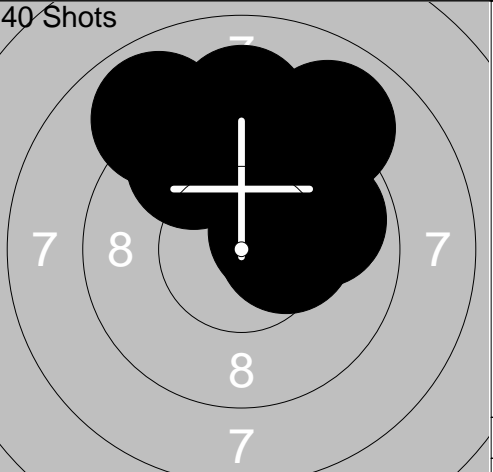
	<table border="1" style="width:100%; border-collapse: collapse;"> <tr><td>21:</td><td>*10.8</td><td>↗</td></tr> <tr><td>22:</td><td>*10.6</td><td>↑</td></tr> <tr><td>23:</td><td>*10.2</td><td>↑</td></tr> <tr><td>24:</td><td>8.4</td><td>↖</td></tr> <tr><td>25:</td><td>*10.4</td><td>↗</td></tr> <tr><td>26:</td><td>8.5</td><td>↖</td></tr> <tr><td>27:</td><td>8.0</td><td>←</td></tr> <tr><td>28:</td><td>*10.4</td><td>↑</td></tr> <tr><td>29:</td><td>9.2</td><td>↖</td></tr> <tr><td>30:</td><td>*10.2</td><td>↑</td></tr> <tr><td colspan="2"><b>Series</b></td><td><b>93.0</b></td></tr> <tr><td colspan="2"><b>Total</b></td><td><b>278.0</b></td></tr> </table>	21:	*10.8	↗	22:	*10.6	↑	23:	*10.2	↑	24:	8.4	↖	25:	*10.4	↗	26:	8.5	↖	27:	8.0	←	28:	*10.4	↑	29:	9.2	↖	30:	*10.2	↑	<b>Series</b>		<b>93.0</b>	<b>Total</b>		<b>278.0</b>	 <table border="1" style="width:100%; border-collapse: collapse;"> <tr><td>31:</td><td>9.4</td><td>↙</td></tr> <tr><td>32:</td><td>9.8</td><td>←</td></tr> <tr><td>33:</td><td>*10.6</td><td>→</td></tr> <tr><td>34:</td><td>*10.4</td><td>↗</td></tr> <tr><td>35:</td><td>*10.6</td><td>←</td></tr> <tr><td>36:</td><td>*10.2</td><td>←</td></tr> <tr><td>37:</td><td>*10.7</td><td>↗</td></tr> <tr><td>38:</td><td>*10.6</td><td>↘</td></tr> <tr><td>39:</td><td>9.8</td><td>↑</td></tr> <tr><td>40:</td><td>9.1</td><td>↖</td></tr> <tr><td colspan="2"><b>Series</b></td><td><b>96.0</b></td></tr> <tr><td colspan="2"><b>Total</b></td><td><b>374.0</b></td></tr> </table>	31:	9.4	↙	32:	9.8	←	33:	*10.6	→	34:	*10.4	↗	35:	*10.6	←	36:	*10.2	←	37:	*10.7	↗	38:	*10.6	↘	39:	9.8	↑	40:	9.1	↖	<b>Series</b>		<b>96.0</b>	<b>Total</b>		<b>374.0</b>
21:	*10.8	↗																																																																								
22:	*10.6	↑																																																																								
23:	*10.2	↑																																																																								
24:	8.4	↖																																																																								
25:	*10.4	↗																																																																								
26:	8.5	↖																																																																								
27:	8.0	←																																																																								
28:	*10.4	↑																																																																								
29:	9.2	↖																																																																								
30:	*10.2	↑																																																																								
<b>Series</b>		<b>93.0</b>																																																																								
<b>Total</b>		<b>278.0</b>																																																																								
31:	9.4	↙																																																																								
32:	9.8	←																																																																								
33:	*10.6	→																																																																								
34:	*10.4	↗																																																																								
35:	*10.6	←																																																																								
36:	*10.2	←																																																																								
37:	*10.7	↗																																																																								
38:	*10.6	↘																																																																								
39:	9.8	↑																																																																								
40:	9.1	↖																																																																								
<b>Series</b>		<b>96.0</b>																																																																								
<b>Total</b>		<b>374.0</b>																																																																								




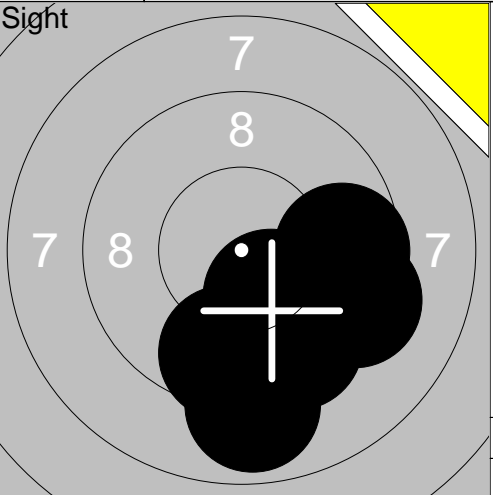
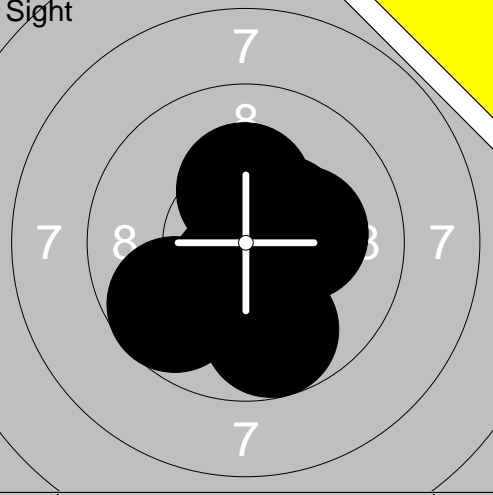
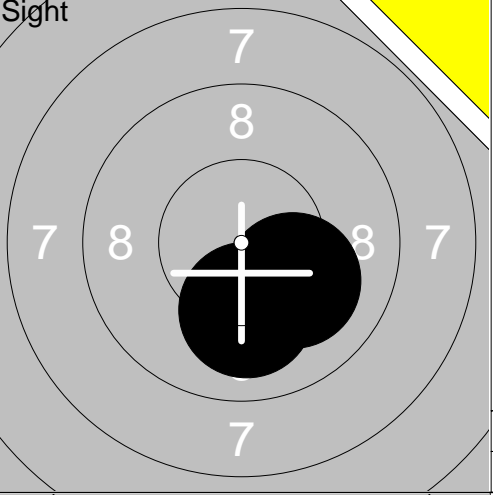
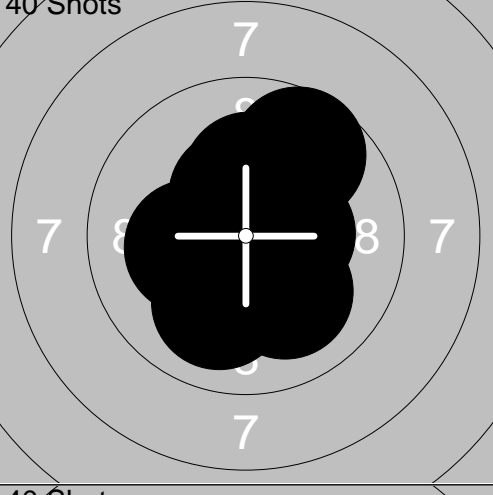
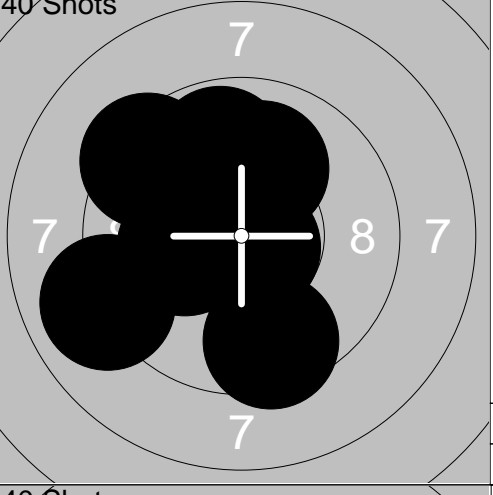
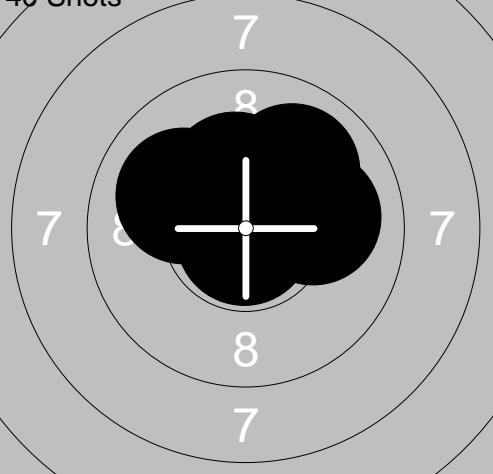
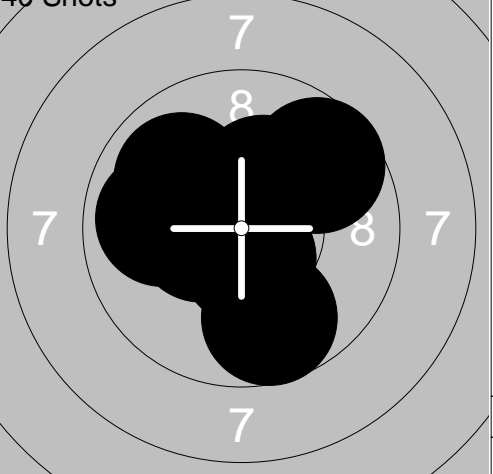
<p><b>Sight</b></p> 	<p>1: 9.4 ← 2: *10.3 ↙ 3: 9.0 ← 4: 9.5 ↙ 5: 10.1 ↓ 6: *10.6 ↖ 7: *10.3 ← 8: 10.0 ↗ 9: 9.6 ↖ 10: 9.9 ←</p> <p>Series 95.0 Total 0.0</p>	<p><b>Sight</b></p> 	<p>11: 9.8 ↖ 12: 9.8 ← 13: 9.6 ← 14: 9.7 ← 15: 9.5 ↗ 16: 10.0 ↗ 17: 9.6 → 18: *10.6 ↓ 19: 10.0 ↙ 20: 9.8 ↖</p> <p>Series 93.0 Total 0.0</p>
--	--	--	---

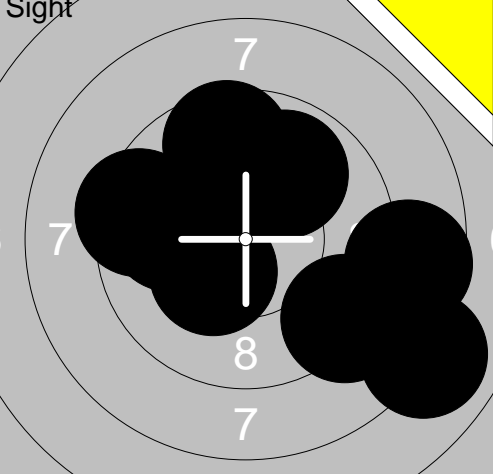
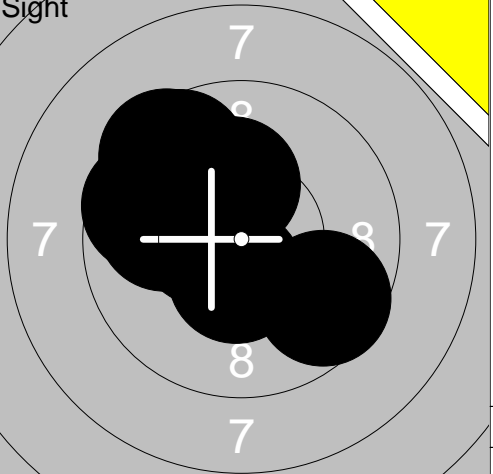
<p><b>Sight</b></p> 	<p>21: 9.6 ↖ 22: 9.4 ↗ 23: 9.6 ↗ 24: 9.8 ↗ 25: 9.1 ↗ 26: 9.2 ↑ 27: 7.5 ↑ 28: 8.5 ↑ 29: 7.0 ↑ 30: 8.9 ↖</p> <p>Series 84.0 Total 0.0</p>	<p><b>Sight</b></p> 	<p>31: 10.0 →</p> <p>Series 10.0 Total 0.0</p>
---	---	---	--

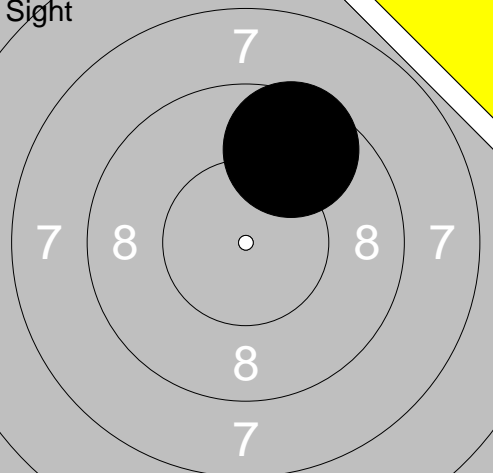

<p><b>40 Shots</b></p> 	<p>1: 8.8 ↑ 2: 7.9 ↑ 3: 9.6 ↗ 4: 9.8 → 5: 9.8 ↑ 6: *10.4 ↗ 7: *10.7 ← 8: 9.8 ↖ 9: 10.0 ↗ 10: *10.4 ↗</p> <p>Series 91.0 Total 91.0</p>	<p><b>40 Shots</b></p> 	<p>11: 9.8 ↑ 12: *10.2 ↗ 13: 9.8 ↗ 14: 9.9 ↗ 15: *10.5 ← 16: 9.8 → 17: 9.3 ↑ 18: 10.1 ↗ 19: 10.0 ↑ 20: 10.1 ↓</p> <p>Series 95.0 Total 186.0</p>
---	--	---	--


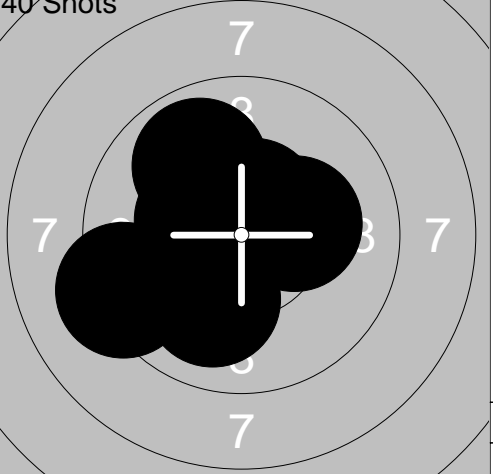
<p><b>40 Shots</b></p> 	<p>21: 10.1 ↖ 22: 9.8 ↗ 23: *10.3 ↖ 24: *10.3 ↗ 25: 9.0 ↗ 26: 10.1 ↗ 27: 9.9 ↖ 28: *10.5 → 29: 9.6 ↗ 30: 10.0 →</p> <p>Series 96.0 Total 282.0</p>	<p><b>40 Shots</b></p> 	<p>31: 9.5 ↗ 32: 9.6 ↗ 33: 9.0 ↗ 34: 8.9 ↖ 35: 9.5 ↑ 36: 9.2 ↑ 37: 9.6 ↖ 38: *10.4 → 39: 9.9 → 40: *10.4 →</p> <p>Series 91.0 Total 373.0</p>
---	--	---	---





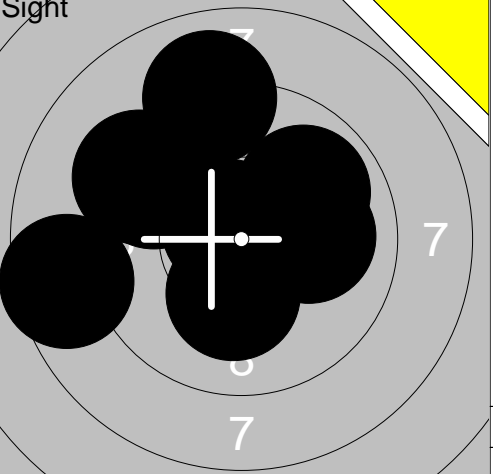
Relay	Lane	Fim Jonsson			
2	39				
10m	Ramselefors	Övr	Vb		
03.11.2013	Vindelnskyttet 2013	Ramselefors SKF			
Sight		1: 7.3 ↓ 2: 7.0 ↓ 3: 10.0 → 4: *10.7 ↓ 5: *10.3 ↓ 6: 10.0 ↓ 7: 7.9 ↓ 8: 9.7 ↓ 9: 9.4 ↓ 10: *10.3 ↓ Series 89.0 Total 0.0	Sight		11: 8.9 ↓ 12: *10.2 ↓ 13: 9.6 → 14: 9.5 ↓ 15: 9.5 ↓ 16: 9.7 ↓ 17: 9.6 ↓ 18: 9.3 ↓ 19: 9.6 → 20: 9.6 ↓ Series 90.0 Total 0.0
Sight		21: 9.7 ↙ 22: *10.6 → 23: *10.5 ↓ 24: *10.5 ↓ 25: *10.4 → 26: *10.3 ↑ 27: 9.8 ↓ 28: *10.2 → 29: 10.0 ↓ 30: *10.5 ↓ Series 98.0 Total 0.0	Sight		31: 10.1 ↓ 32: 10.1 ↘ Series 20.0 Total 0.0
40 Shots		1: *10.4 → 2: *10.5 ↗ 3: *10.2 ← 4: 10.0 ↓ 5: *10.4 ↗ 6: *10.4 ↑ 7: *10.5 ↗ 8: 10.1 ↓ 9: 9.7 ↗ 10: *10.2 ↑ Series 99.0 Total 99.0	40 Shots		11: *10.2 ← 12: 9.0 ↙ 13: 9.4 ↗ 14: 10.0 ↑ 15: *10.4 ↑ 16: 9.5 ↓ 17: *10.5 ↗ 18: *10.7 ↓ 19: *10.6 ↗ 20: 9.8 ↑ Series 96.0 Total 195.0
40 Shots		21: *10.6 ↗ 22: *10.7 ↗ 23: 10.0 → 24: *10.3 ↑ 25: 10.0 ↗ 26: *10.8 ↓ 27: 10.0 ↗ 28: 10.0 ← 29: *10.6 ↗ 30: *10.3 ↑ Series 100.0 Total 295.0	40 Shots		31: *10.4 ← 32: 9.9 ← 33: *10.5 ↗ 34: *10.4 ← 35: 9.7 ↓ 36: *10.5 ↓ 37: 9.9 ↗ 38: 9.6 ↗ 39: *10.4 ↗ 40: *10.3 ↗ Series 96.0 Total 391.0



<p><b>Sight</b></p> 	<table border="1" style="width:100%; border-collapse: collapse;"> <tr><td>1:</td><td>8.0</td><td>↘</td></tr> <tr><td>2:</td><td>8.6</td><td>→</td></tr> <tr><td>3:</td><td>9.2</td><td>↘</td></tr> <tr><td>4:</td><td>9.6</td><td>↑</td></tr> <tr><td>5:</td><td>*10.3</td><td>↘</td></tr> <tr><td>6:</td><td>9.9</td><td>←</td></tr> <tr><td>7:</td><td>10.1</td><td>↗</td></tr> <tr><td>8:</td><td>*10.3</td><td>↗</td></tr> <tr><td>9:</td><td>9.9</td><td>↗</td></tr> <tr><td>10:</td><td>9.4</td><td>←</td></tr> <tr><td colspan="2"><b>Series</b></td><td>91.0</td></tr> <tr><td colspan="2"><b>Total</b></td><td>0.0</td></tr> </table>	1:	8.0	↘	2:	8.6	→	3:	9.2	↘	4:	9.6	↑	5:	*10.3	↘	6:	9.9	←	7:	10.1	↗	8:	*10.3	↗	9:	9.9	↗	10:	9.4	←	<b>Series</b>		91.0	<b>Total</b>		0.0	<p><b>Sight</b></p> 	<table border="1" style="width:100%; border-collapse: collapse;"> <tr><td>11:</td><td>*10.5</td><td>←</td></tr> <tr><td>12:</td><td>*10.5</td><td>↓</td></tr> <tr><td>13:</td><td>9.5</td><td>↗</td></tr> <tr><td>14:</td><td>9.7</td><td>↗</td></tr> <tr><td>15:</td><td>9.6</td><td>↘</td></tr> <tr><td>16:</td><td>9.9</td><td>←</td></tr> <tr><td>17:</td><td>*10.2</td><td>↑</td></tr> <tr><td>18:</td><td>9.9</td><td>↗</td></tr> <tr><td>19:</td><td>9.6</td><td>↗</td></tr> <tr><td>20:</td><td>9.7</td><td>←</td></tr> <tr><td colspan="2"><b>Series</b></td><td>93.0</td></tr> <tr><td colspan="2"><b>Total</b></td><td>0.0</td></tr> </table>	11:	*10.5	←	12:	*10.5	↓	13:	9.5	↗	14:	9.7	↗	15:	9.6	↘	16:	9.9	←	17:	*10.2	↑	18:	9.9	↗	19:	9.6	↗	20:	9.7	←	<b>Series</b>		93.0	<b>Total</b>		0.0
1:	8.0	↘																																																																									
2:	8.6	→																																																																									
3:	9.2	↘																																																																									
4:	9.6	↑																																																																									
5:	*10.3	↘																																																																									
6:	9.9	←																																																																									
7:	10.1	↗																																																																									
8:	*10.3	↗																																																																									
9:	9.9	↗																																																																									
10:	9.4	←																																																																									
<b>Series</b>		91.0																																																																									
<b>Total</b>		0.0																																																																									
11:	*10.5	←																																																																									
12:	*10.5	↓																																																																									
13:	9.5	↗																																																																									
14:	9.7	↗																																																																									
15:	9.6	↘																																																																									
16:	9.9	←																																																																									
17:	*10.2	↑																																																																									
18:	9.9	↗																																																																									
19:	9.6	↗																																																																									
20:	9.7	←																																																																									
<b>Series</b>		93.0																																																																									
<b>Total</b>		0.0																																																																									


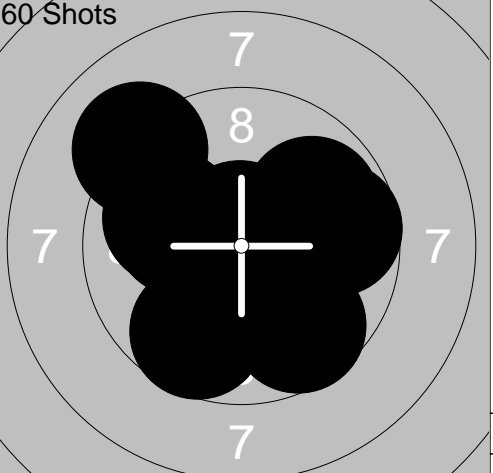
<p><b>Sight</b></p> 	<table border="1" style="width:100%; border-collapse: collapse;"> <tr><td>21:</td><td>9.6</td><td>↗</td></tr> <tr><td colspan="2"><b>Series</b></td><td>9.0</td></tr> <tr><td colspan="2"><b>Total</b></td><td>0.0</td></tr> </table>	21:	9.6	↗	<b>Series</b>		9.0	<b>Total</b>		0.0	<p><b>40 Shots</b></p> 	<table border="1" style="width:100%; border-collapse: collapse;"> <tr><td>1:</td><td>*10.5</td><td>↘</td></tr> <tr><td>2:</td><td>*10.2</td><td>↘</td></tr> <tr><td>3:</td><td>*10.5</td><td>↗</td></tr> <tr><td>4:</td><td>10.0</td><td>←</td></tr> <tr><td>5:</td><td>*10.6</td><td>←</td></tr> <tr><td>6:</td><td>*10.4</td><td>→</td></tr> <tr><td>7:</td><td>*10.4</td><td>↗</td></tr> <tr><td>8:</td><td>9.7</td><td>←</td></tr> <tr><td>9:</td><td>*10.4</td><td>↓</td></tr> <tr><td>10:</td><td>*10.4</td><td>↓</td></tr> <tr><td colspan="2"><b>Series</b></td><td>99.0</td></tr> <tr><td colspan="2"><b>Total</b></td><td>99.0</td></tr> </table>	1:	*10.5	↘	2:	*10.2	↘	3:	*10.5	↗	4:	10.0	←	5:	*10.6	←	6:	*10.4	→	7:	*10.4	↗	8:	9.7	←	9:	*10.4	↓	10:	*10.4	↓	<b>Series</b>		99.0	<b>Total</b>		99.0
21:	9.6	↗																																														
<b>Series</b>		9.0																																														
<b>Total</b>		0.0																																														
1:	*10.5	↘																																														
2:	*10.2	↘																																														
3:	*10.5	↗																																														
4:	10.0	←																																														
5:	*10.6	←																																														
6:	*10.4	→																																														
7:	*10.4	↗																																														
8:	9.7	←																																														
9:	*10.4	↓																																														
10:	*10.4	↓																																														
<b>Series</b>		99.0																																														
<b>Total</b>		99.0																																														

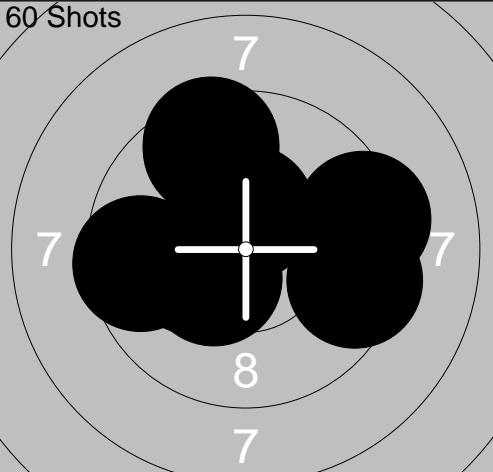
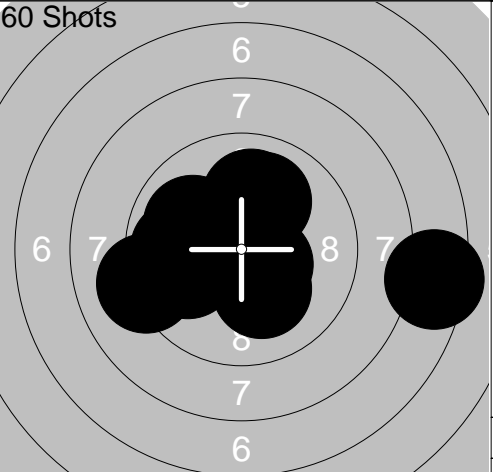
<p><b>40 Shots</b></p> 	<table border="1" style="width:100%; border-collapse: collapse;"> <tr><td>11:</td><td>*10.3</td><td>→</td></tr> <tr><td>12:</td><td>*10.2</td><td>↑</td></tr> <tr><td>13:</td><td>9.3</td><td>↑</td></tr> <tr><td>14:</td><td>*10.6</td><td>↗</td></tr> <tr><td>15:</td><td>*10.3</td><td>↗</td></tr> <tr><td>16:</td><td>*10.2</td><td>↑</td></tr> <tr><td>17:</td><td>10.1</td><td>↗</td></tr> <tr><td>18:</td><td>*10.3</td><td>↗</td></tr> <tr><td>19:</td><td>9.9</td><td>↑</td></tr> <tr><td>20:</td><td>*10.4</td><td>↘</td></tr> <tr><td colspan="2"><b>Series</b></td><td>98.0</td></tr> <tr><td colspan="2"><b>Total</b></td><td>197.0</td></tr> </table>	11:	*10.3	→	12:	*10.2	↑	13:	9.3	↑	14:	*10.6	↗	15:	*10.3	↗	16:	*10.2	↑	17:	10.1	↗	18:	*10.3	↗	19:	9.9	↑	20:	*10.4	↘	<b>Series</b>		98.0	<b>Total</b>		197.0	<p><b>40 Shots</b></p> 	<table border="1" style="width:100%; border-collapse: collapse;"> <tr><td>21:</td><td>*10.5</td><td>↗</td></tr> <tr><td>22:</td><td>*10.4</td><td>←</td></tr> <tr><td>23:</td><td>*10.7</td><td>↑</td></tr> <tr><td>24:</td><td>9.2</td><td>↙</td></tr> <tr><td>25:</td><td>9.9</td><td>↗</td></tr> <tr><td>26:</td><td>*10.6</td><td>←</td></tr> <tr><td>27:</td><td>*10.2</td><td>→</td></tr> <tr><td>28:</td><td>*10.3</td><td>↙</td></tr> <tr><td>29:</td><td>10.0</td><td>↓</td></tr> <tr><td>30:</td><td>*10.6</td><td>↑</td></tr> <tr><td colspan="2"><b>Series</b></td><td>98.0</td></tr> <tr><td colspan="2"><b>Total</b></td><td>295.0</td></tr> </table>	21:	*10.5	↗	22:	*10.4	←	23:	*10.7	↑	24:	9.2	↙	25:	9.9	↗	26:	*10.6	←	27:	*10.2	→	28:	*10.3	↙	29:	10.0	↓	30:	*10.6	↑	<b>Series</b>		98.0	<b>Total</b>		295.0
11:	*10.3	→																																																																									
12:	*10.2	↑																																																																									
13:	9.3	↑																																																																									
14:	*10.6	↗																																																																									
15:	*10.3	↗																																																																									
16:	*10.2	↑																																																																									
17:	10.1	↗																																																																									
18:	*10.3	↗																																																																									
19:	9.9	↑																																																																									
20:	*10.4	↘																																																																									
<b>Series</b>		98.0																																																																									
<b>Total</b>		197.0																																																																									
21:	*10.5	↗																																																																									
22:	*10.4	←																																																																									
23:	*10.7	↑																																																																									
24:	9.2	↙																																																																									
25:	9.9	↗																																																																									
26:	*10.6	←																																																																									
27:	*10.2	→																																																																									
28:	*10.3	↙																																																																									
29:	10.0	↓																																																																									
30:	*10.6	↑																																																																									
<b>Series</b>		98.0																																																																									
<b>Total</b>		295.0																																																																									

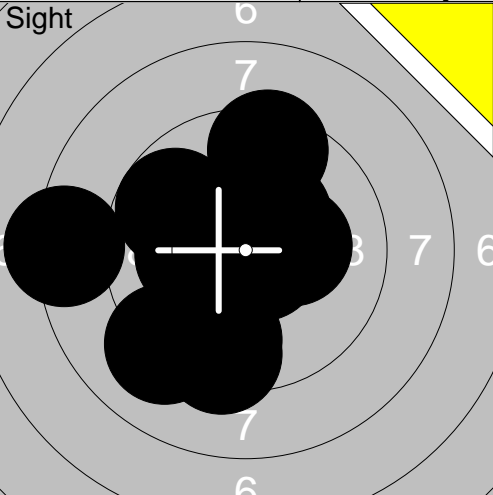
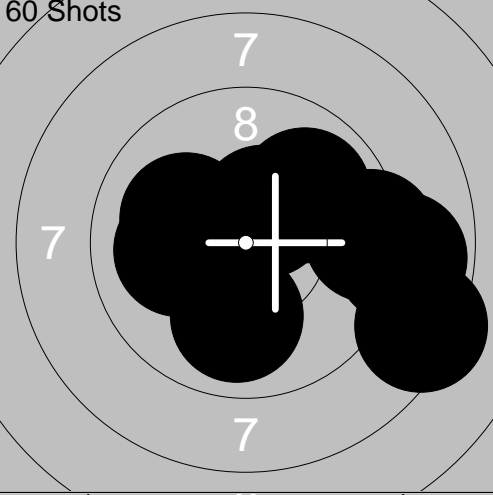
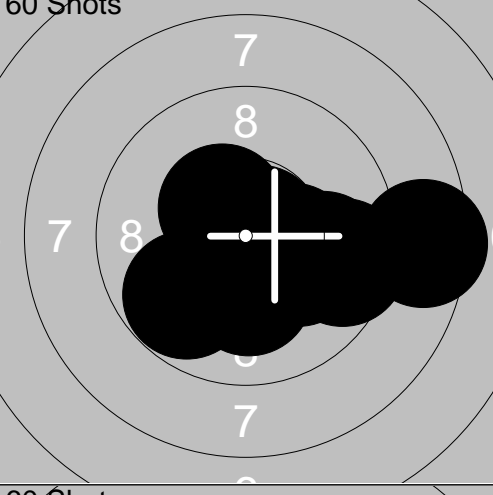
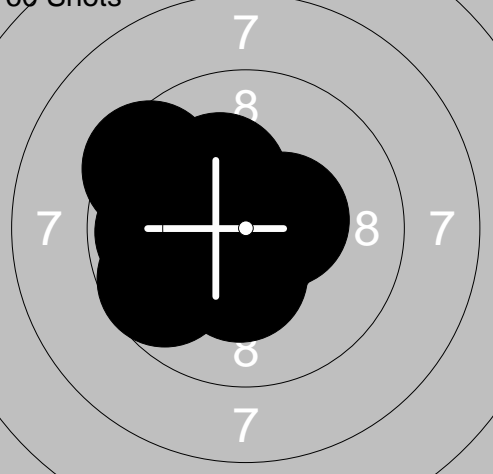
<p><b>40 Shots</b></p> 	<table border="1" style="width:100%; border-collapse: collapse;"> <tr><td>31:</td><td>*10.2</td><td>↙</td></tr> <tr><td>32:</td><td>*10.5</td><td>↗</td></tr> <tr><td>33:</td><td>9.3</td><td>←</td></tr> <tr><td>34:</td><td>10.1</td><td>↑</td></tr> <tr><td>35:</td><td>*10.7</td><td>↗</td></tr> <tr><td>36:</td><td>9.3</td><td>←</td></tr> <tr><td>37:</td><td>10.0</td><td>↑</td></tr> <tr><td>38:</td><td>10.1</td><td>←</td></tr> <tr><td>39:</td><td>9.8</td><td>↗</td></tr> <tr><td>40:</td><td>9.1</td><td>↗</td></tr> <tr><td colspan="2"><b>Series</b></td><td>96.0</td></tr> <tr><td colspan="2"><b>Total</b></td><td>391.0</td></tr> </table>	31:	*10.2	↙	32:	*10.5	↗	33:	9.3	←	34:	10.1	↑	35:	*10.7	↗	36:	9.3	←	37:	10.0	↑	38:	10.1	←	39:	9.8	↗	40:	9.1	↗	<b>Series</b>		96.0	<b>Total</b>		391.0		
31:	*10.2	↙																																					
32:	*10.5	↗																																					
33:	9.3	←																																					
34:	10.1	↑																																					
35:	*10.7	↗																																					
36:	9.3	←																																					
37:	10.0	↑																																					
38:	10.1	←																																					
39:	9.8	↗																																					
40:	9.1	↗																																					
<b>Series</b>		96.0																																					
<b>Total</b>		391.0																																					


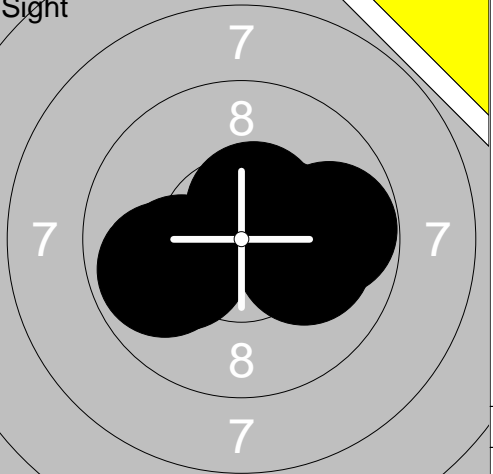
<p><b>Sight</b></p> 	<table border="1" style="width:100%; border-collapse: collapse;"> <tr><td>1:</td><td>10.1</td><td>↑</td></tr> <tr><td>2:</td><td>9.9</td><td>↓</td></tr> <tr><td>3:</td><td>10.1</td><td>↑</td></tr> <tr><td>4:</td><td>9.9</td><td>↖</td></tr> <tr><td>5:</td><td>9.0</td><td>↗</td></tr> <tr><td>6:</td><td>9.8</td><td>↗</td></tr> <tr><td>7:</td><td>*10.2</td><td>→</td></tr> <tr><td>8:</td><td>10.0</td><td>↑</td></tr> <tr><td>9:</td><td>9.1</td><td>↖</td></tr> <tr><td>10:</td><td>*10.8</td><td>↖</td></tr> <tr><td colspan="2"><b>Series</b></td><td>95.0</td></tr> <tr><td colspan="2"><b>Total</b></td><td>0.0</td></tr> </table>	1:	10.1	↑	2:	9.9	↓	3:	10.1	↑	4:	9.9	↖	5:	9.0	↗	6:	9.8	↗	7:	*10.2	→	8:	10.0	↑	9:	9.1	↖	10:	*10.8	↖	<b>Series</b>		95.0	<b>Total</b>		0.0	<p><b>Sight</b></p>  <table border="1" style="width:100%; border-collapse: collapse;"> <tr><td>11:</td><td>*10.2</td><td>↓</td></tr> <tr><td>12:</td><td>9.4</td><td>↖</td></tr> <tr><td>13:</td><td>8.5</td><td>↖</td></tr> <tr><td>14:</td><td>9.5</td><td>↖</td></tr> <tr><td>15:</td><td>*10.7</td><td>↗</td></tr> <tr><td>16:</td><td>9.9</td><td>↗</td></tr> <tr><td>17:</td><td>9.0</td><td>↑</td></tr> <tr><td>18:</td><td>10.0</td><td>→</td></tr> <tr><td colspan="2"><b>Series</b></td><td>74.0</td></tr> <tr><td colspan="2"><b>Total</b></td><td>0.0</td></tr> </table>	11:	*10.2	↓	12:	9.4	↖	13:	8.5	↖	14:	9.5	↖	15:	*10.7	↗	16:	9.9	↗	17:	9.0	↑	18:	10.0	→	<b>Series</b>		74.0	<b>Total</b>		0.0
1:	10.1	↑																																																																		
2:	9.9	↓																																																																		
3:	10.1	↑																																																																		
4:	9.9	↖																																																																		
5:	9.0	↗																																																																		
6:	9.8	↗																																																																		
7:	*10.2	→																																																																		
8:	10.0	↑																																																																		
9:	9.1	↖																																																																		
10:	*10.8	↖																																																																		
<b>Series</b>		95.0																																																																		
<b>Total</b>		0.0																																																																		
11:	*10.2	↓																																																																		
12:	9.4	↖																																																																		
13:	8.5	↖																																																																		
14:	9.5	↖																																																																		
15:	*10.7	↗																																																																		
16:	9.9	↗																																																																		
17:	9.0	↑																																																																		
18:	10.0	→																																																																		
<b>Series</b>		74.0																																																																		
<b>Total</b>		0.0																																																																		



<p><b>60 Shots</b></p> 	<table border="1" style="width:100%; border-collapse: collapse;"> <tr><td>1:</td><td>*10.2</td><td>↑</td></tr> <tr><td>2:</td><td>*10.3</td><td>↖</td></tr> <tr><td>3:</td><td>9.8</td><td>↗</td></tr> <tr><td>4:</td><td>9.3</td><td>↘</td></tr> <tr><td>5:</td><td>10.0</td><td>↗</td></tr> <tr><td>6:</td><td>*10.3</td><td>↓</td></tr> <tr><td>7:</td><td>9.3</td><td>↑</td></tr> <tr><td>8:</td><td>8.4</td><td>↓</td></tr> <tr><td>9:</td><td>8.2</td><td>→</td></tr> <tr><td>10:</td><td>*10.9</td><td>↑</td></tr> <tr><td colspan="2"><b>Series</b></td><td>93.0</td></tr> <tr><td colspan="2"><b>Total</b></td><td>93.0</td></tr> </table>	1:	*10.2	↑	2:	*10.3	↖	3:	9.8	↗	4:	9.3	↘	5:	10.0	↗	6:	*10.3	↓	7:	9.3	↑	8:	8.4	↓	9:	8.2	→	10:	*10.9	↑	<b>Series</b>		93.0	<b>Total</b>		93.0	<p><b>60 Shots</b></p>  <table border="1" style="width:100%; border-collapse: collapse;"> <tr><td>11:</td><td>9.9</td><td>↖</td></tr> <tr><td>12:</td><td>*10.2</td><td>↗</td></tr> <tr><td>13:</td><td>10.0</td><td>↓</td></tr> <tr><td>14:</td><td>*10.2</td><td>↑</td></tr> <tr><td>15:</td><td>9.4</td><td>↖</td></tr> <tr><td>16:</td><td>10.0</td><td>→</td></tr> <tr><td>17:</td><td>9.2</td><td>↘</td></tr> <tr><td>18:</td><td>*10.7</td><td>↑</td></tr> <tr><td>19:</td><td>*10.6</td><td>↖</td></tr> <tr><td>20:</td><td>*10.2</td><td>↖</td></tr> <tr><td colspan="2"><b>Series</b></td><td>97.0</td></tr> <tr><td colspan="2"><b>Total</b></td><td>190.0</td></tr> </table>	11:	9.9	↖	12:	*10.2	↗	13:	10.0	↓	14:	*10.2	↑	15:	9.4	↖	16:	10.0	→	17:	9.2	↘	18:	*10.7	↑	19:	*10.6	↖	20:	*10.2	↖	<b>Series</b>		97.0	<b>Total</b>		190.0
1:	*10.2	↑																																																																								
2:	*10.3	↖																																																																								
3:	9.8	↗																																																																								
4:	9.3	↘																																																																								
5:	10.0	↗																																																																								
6:	*10.3	↓																																																																								
7:	9.3	↑																																																																								
8:	8.4	↓																																																																								
9:	8.2	→																																																																								
10:	*10.9	↑																																																																								
<b>Series</b>		93.0																																																																								
<b>Total</b>		93.0																																																																								
11:	9.9	↖																																																																								
12:	*10.2	↗																																																																								
13:	10.0	↓																																																																								
14:	*10.2	↑																																																																								
15:	9.4	↖																																																																								
16:	10.0	→																																																																								
17:	9.2	↘																																																																								
18:	*10.7	↑																																																																								
19:	*10.6	↖																																																																								
20:	*10.2	↖																																																																								
<b>Series</b>		97.0																																																																								
<b>Total</b>		190.0																																																																								


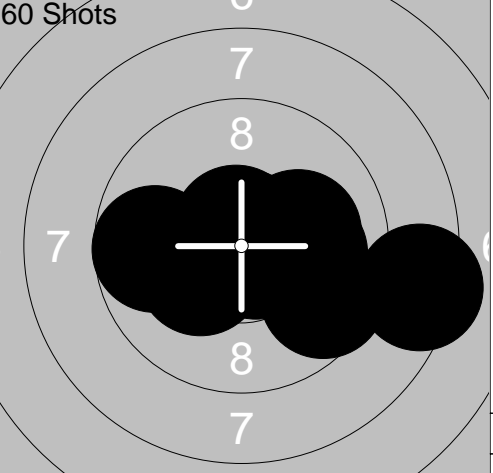
<p><b>60 Shots</b></p> 	<table border="1" style="width:100%; border-collapse: collapse;"> <tr><td>21:</td><td>*10.5</td><td>↓</td></tr> <tr><td>22:</td><td>*10.9</td><td>↑</td></tr> <tr><td>23:</td><td>*10.4</td><td>↖</td></tr> <tr><td>24:</td><td>9.6</td><td>↗</td></tr> <tr><td>25:</td><td>9.2</td><td>↖</td></tr> <tr><td>26:</td><td>9.1</td><td>↖</td></tr> <tr><td>27:</td><td>*10.4</td><td>↓</td></tr> <tr><td>28:</td><td>9.6</td><td>↗</td></tr> <tr><td>29:</td><td>9.8</td><td>→</td></tr> <tr><td>30:</td><td>9.3</td><td>↗</td></tr> <tr><td colspan="2"><b>Series</b></td><td>94.0</td></tr> <tr><td colspan="2"><b>Total</b></td><td>284.0</td></tr> </table>	21:	*10.5	↓	22:	*10.9	↑	23:	*10.4	↖	24:	9.6	↗	25:	9.2	↖	26:	9.1	↖	27:	*10.4	↓	28:	9.6	↗	29:	9.8	→	30:	9.3	↗	<b>Series</b>		94.0	<b>Total</b>		284.0	<p><b>60 Shots</b></p>  <table border="1" style="width:100%; border-collapse: collapse;"> <tr><td>31:</td><td>9.9</td><td>↗</td></tr> <tr><td>32:</td><td>9.1</td><td>↗</td></tr> <tr><td>33:</td><td>9.7</td><td>→</td></tr> <tr><td>34:</td><td>9.9</td><td>↖</td></tr> <tr><td>35:</td><td>10.1</td><td>↖</td></tr> <tr><td>36:</td><td>10.1</td><td>↖</td></tr> <tr><td>37:</td><td>9.7</td><td>↓</td></tr> <tr><td>38:</td><td>10.1</td><td>↓</td></tr> <tr><td>39:</td><td>9.7</td><td>↓</td></tr> <tr><td>40:</td><td>*10.7</td><td>↑</td></tr> <tr><td colspan="2"><b>Series</b></td><td>94.0</td></tr> <tr><td colspan="2"><b>Total</b></td><td>378.0</td></tr> </table>	31:	9.9	↗	32:	9.1	↗	33:	9.7	→	34:	9.9	↖	35:	10.1	↖	36:	10.1	↖	37:	9.7	↓	38:	10.1	↓	39:	9.7	↓	40:	*10.7	↑	<b>Series</b>		94.0	<b>Total</b>		378.0
21:	*10.5	↓																																																																								
22:	*10.9	↑																																																																								
23:	*10.4	↖																																																																								
24:	9.6	↗																																																																								
25:	9.2	↖																																																																								
26:	9.1	↖																																																																								
27:	*10.4	↓																																																																								
28:	9.6	↗																																																																								
29:	9.8	→																																																																								
30:	9.3	↗																																																																								
<b>Series</b>		94.0																																																																								
<b>Total</b>		284.0																																																																								
31:	9.9	↗																																																																								
32:	9.1	↗																																																																								
33:	9.7	→																																																																								
34:	9.9	↖																																																																								
35:	10.1	↖																																																																								
36:	10.1	↖																																																																								
37:	9.7	↓																																																																								
38:	10.1	↓																																																																								
39:	9.7	↓																																																																								
40:	*10.7	↑																																																																								
<b>Series</b>		94.0																																																																								
<b>Total</b>		378.0																																																																								

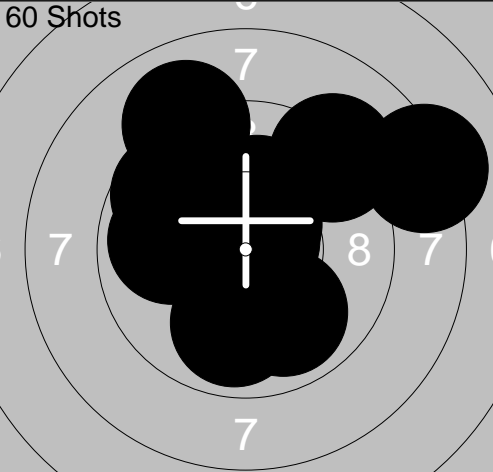
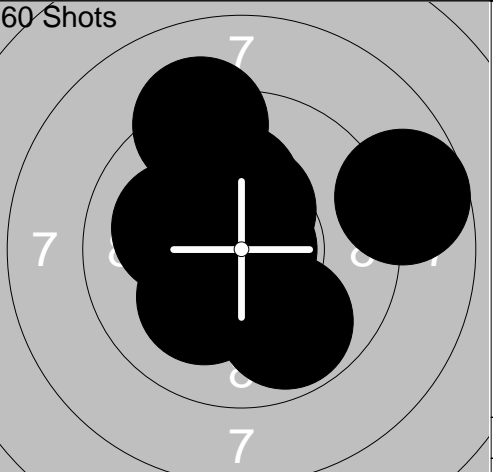
<p><b>60 Shots</b></p> 	<table border="1" style="width:100%; border-collapse: collapse;"> <tr><td>41:</td><td>9.5</td><td>↖</td></tr> <tr><td>42:</td><td>*10.3</td><td>↖</td></tr> <tr><td>43:</td><td>*10.2</td><td>↖</td></tr> <tr><td>44:</td><td>9.5</td><td>↑</td></tr> <tr><td>45:</td><td>9.5</td><td>→</td></tr> <tr><td>46:</td><td>*10.5</td><td>↑</td></tr> <tr><td>47:</td><td>9.4</td><td>→</td></tr> <tr><td>48:</td><td>9.5</td><td>↑</td></tr> <tr><td>49:</td><td>*10.4</td><td>↖</td></tr> <tr><td>50:</td><td>9.5</td><td>↘</td></tr> <tr><td colspan="2"><b>Series</b></td><td>94.0</td></tr> <tr><td colspan="2"><b>Total</b></td><td>472.0</td></tr> </table>	41:	9.5	↖	42:	*10.3	↖	43:	*10.2	↖	44:	9.5	↑	45:	9.5	→	46:	*10.5	↑	47:	9.4	→	48:	9.5	↑	49:	*10.4	↖	50:	9.5	↘	<b>Series</b>		94.0	<b>Total</b>		472.0	<p><b>60 Shots</b></p>  <table border="1" style="width:100%; border-collapse: collapse;"> <tr><td>51:</td><td>9.9</td><td>↖</td></tr> <tr><td>52:</td><td>7.4</td><td>→</td></tr> <tr><td>53:</td><td>10.0</td><td>↖</td></tr> <tr><td>54:</td><td>*10.5</td><td>↓</td></tr> <tr><td>55:</td><td>10.0</td><td>↑</td></tr> <tr><td>56:</td><td>9.1</td><td>↖</td></tr> <tr><td>57:</td><td>9.8</td><td>↖</td></tr> <tr><td>58:</td><td>10.1</td><td>↓</td></tr> <tr><td>59:</td><td>*10.4</td><td>↖</td></tr> <tr><td>60:</td><td>10.0</td><td>↑</td></tr> <tr><td colspan="2"><b>Series</b></td><td>94.0</td></tr> <tr><td colspan="2"><b>Total</b></td><td>566.0</td></tr> </table>	51:	9.9	↖	52:	7.4	→	53:	10.0	↖	54:	*10.5	↓	55:	10.0	↑	56:	9.1	↖	57:	9.8	↖	58:	10.1	↓	59:	*10.4	↖	60:	10.0	↑	<b>Series</b>		94.0	<b>Total</b>		566.0
41:	9.5	↖																																																																								
42:	*10.3	↖																																																																								
43:	*10.2	↖																																																																								
44:	9.5	↑																																																																								
45:	9.5	→																																																																								
46:	*10.5	↑																																																																								
47:	9.4	→																																																																								
48:	9.5	↑																																																																								
49:	*10.4	↖																																																																								
50:	9.5	↘																																																																								
<b>Series</b>		94.0																																																																								
<b>Total</b>		472.0																																																																								
51:	9.9	↖																																																																								
52:	7.4	→																																																																								
53:	10.0	↖																																																																								
54:	*10.5	↓																																																																								
55:	10.0	↑																																																																								
56:	9.1	↖																																																																								
57:	9.8	↖																																																																								
58:	10.1	↓																																																																								
59:	*10.4	↖																																																																								
60:	10.0	↑																																																																								
<b>Series</b>		94.0																																																																								
<b>Total</b>		566.0																																																																								

Relay	Lane	Tomas Hed	
3	2		
10m	Forsa	Sen	Gä
03.11.2013	Vindelnskytten 2013	Ramselefors SKF	
Sight		1: 8.3 ← 2: 9.4 ↓ 3: 9.6 ↓ 4: *10.2 ← 5: 9.1 ↓ 6: 9.7 ↖ 7: *10.7 ↘ 8: *10.3 ↗ 9: *10.3 → 10: 9.4 ↑ Series 93.0 Total 0.0	Sight
			11: 9.3 → 12: 9.9 ↑ 13: *10.8 → 14: 9.6 → 15: 9.3 ↗ Series 46.0 Total 0.0
60 Shots		1: *10.4 ← 2: 9.9 ↗ 3: 10.1 ↖ 4: 9.3 → 5: 10.1 ← 6: 8.8 → 7: 8.3 ↘ 8: 10.0 ↓ 9: 9.9 ↗ 10: *10.5 ↗ Series 93.0 Total 93.0	60 Shots
			11: *10.2 ↗ 12: *10.2 ↖ 13: *10.2 ↗ 14: *10.4 ↗ 15: *10.4 ↖ 16: 9.8 ↖ 17: 9.7 ↗ 18: 8.6 → 19: *10.3 ↘ 20: 10.1 ↑ Series 96.0 Total 189.0
60 Shots		21: 10.1 ↘ 22: *10.3 → 23: 9.8 ↘ 24: 9.8 → 25: 8.5 → 26: *10.4 ↗ 27: *10.2 ↓ 28: *10.7 ↗ 29: 9.5 → 30: *10.3 ↓ Series 95.0 Total 284.0	60 Shots
			31: *10.4 ← 32: *10.2 ↘ 33: 9.9 ← 34: 9.8 ↖ 35: 10.0 ↘ 36: 10.1 → 37: 9.9 ↗ 38: 9.9 ↗ 39: 9.5 ↘ 40: 9.3 → Series 94.0 Total 378.0
60 Shots		41: *10.8 ← 42: 9.5 ↖ 43: 9.7 ↖ 44: *10.3 ↓ 45: *10.7 ↑ 46: 10.1 ← 47: 9.8 ← 48: *10.5 → 49: 10.1 ← 50: *10.2 ↗ Series 97.0 Total 475.0	60 Shots
			51: *10.3 ↘ 52: 9.3 ↖ 53: 9.7 ↑ 54: 9.5 ↗ 55: 9.5 ↓ 56: *10.2 ↗ 57: *10.4 ↗ 58: 9.7 ↑ 59: 9.4 ↖ 60: 8.7 ↖ Series 92.0 Total 567.0

	<table border="1" style="width:100%; border-collapse: collapse;"> <tr><td>1:</td><td>9.1</td><td>→</td></tr> <tr><td>2:</td><td>*10.9</td><td>↙</td></tr> <tr><td>3:</td><td>9.6</td><td>↗</td></tr> <tr><td>4:</td><td>*10.6</td><td>→</td></tr> <tr><td>5:</td><td>*10.7</td><td>↗</td></tr> <tr><td>6:</td><td>9.3</td><td>↑</td></tr> <tr><td>7:</td><td>10.1</td><td>↑</td></tr> <tr><td>8:</td><td>9.0</td><td>↙</td></tr> <tr><td>9:</td><td>10.1</td><td>→</td></tr> <tr><td>10:</td><td>9.5</td><td>↗</td></tr> <tr><td colspan="2">Series</td><td>95.0</td></tr> <tr><td colspan="2">Total</td><td>0.0</td></tr> </table>	1:	9.1	→	2:	*10.9	↙	3:	9.6	↗	4:	*10.6	→	5:	*10.7	↗	6:	9.3	↑	7:	10.1	↑	8:	9.0	↙	9:	10.1	→	10:	9.5	↗	Series		95.0	Total		0.0		<table border="1" style="width:100%; border-collapse: collapse;"> <tr><td>11:</td><td>10.1</td><td>↙</td></tr> <tr><td>12:</td><td>*10.5</td><td>↗</td></tr> <tr><td>13:</td><td>*10.4</td><td>→</td></tr> <tr><td>14:</td><td>9.8</td><td>→</td></tr> <tr><td>15:</td><td>10.1</td><td>→</td></tr> <tr><td>16:</td><td>9.9</td><td>↙</td></tr> <tr><td colspan="2">Series</td><td>58.0</td></tr> <tr><td colspan="2">Total</td><td>0.0</td></tr> </table>	11:	10.1	↙	12:	*10.5	↗	13:	*10.4	→	14:	9.8	→	15:	10.1	→	16:	9.9	↙	Series		58.0	Total		0.0
1:	9.1	→																																																													
2:	*10.9	↙																																																													
3:	9.6	↗																																																													
4:	*10.6	→																																																													
5:	*10.7	↗																																																													
6:	9.3	↑																																																													
7:	10.1	↑																																																													
8:	9.0	↙																																																													
9:	10.1	→																																																													
10:	9.5	↗																																																													
Series		95.0																																																													
Total		0.0																																																													
11:	10.1	↙																																																													
12:	*10.5	↗																																																													
13:	*10.4	→																																																													
14:	9.8	→																																																													
15:	10.1	→																																																													
16:	9.9	↙																																																													
Series		58.0																																																													
Total		0.0																																																													

	<table border="1" style="width:100%; border-collapse: collapse;"> <tr><td>1:</td><td>9.5</td><td>↗</td></tr> <tr><td>2:</td><td>10.1</td><td>↗</td></tr> <tr><td>3:</td><td>9.5</td><td>↙</td></tr> <tr><td>4:</td><td>*10.6</td><td>→</td></tr> <tr><td>5:</td><td>10.0</td><td>↗</td></tr> <tr><td>6:</td><td>9.0</td><td>↓</td></tr> <tr><td>7:</td><td>9.3</td><td>→</td></tr> <tr><td>8:</td><td>*10.2</td><td>↓</td></tr> <tr><td>9:</td><td>9.1</td><td>↙</td></tr> <tr><td>10:</td><td>10.0</td><td>↓</td></tr> <tr><td colspan="2">Series</td><td>95.0</td></tr> <tr><td colspan="2">Total</td><td>95.0</td></tr> </table>	1:	9.5	↗	2:	10.1	↗	3:	9.5	↙	4:	*10.6	→	5:	10.0	↗	6:	9.0	↓	7:	9.3	→	8:	*10.2	↓	9:	9.1	↙	10:	10.0	↓	Series		95.0	Total		95.0		<table border="1" style="width:100%; border-collapse: collapse;"> <tr><td>11:</td><td>10.1</td><td>→</td></tr> <tr><td>12:</td><td>*10.3</td><td>→</td></tr> <tr><td>13:</td><td>9.6</td><td>↙</td></tr> <tr><td>14:</td><td>9.8</td><td>↓</td></tr> <tr><td>15:</td><td>*10.8</td><td>→</td></tr> <tr><td>16:</td><td>*10.6</td><td>↗</td></tr> <tr><td>17:</td><td>*10.4</td><td>↑</td></tr> <tr><td>18:</td><td>*10.2</td><td>↗</td></tr> <tr><td>19:</td><td>*10.5</td><td>↓</td></tr> <tr><td>20:</td><td>10.1</td><td>↙</td></tr> <tr><td colspan="2">Series</td><td>98.0</td></tr> <tr><td colspan="2">Total</td><td>193.0</td></tr> </table>	11:	10.1	→	12:	*10.3	→	13:	9.6	↙	14:	9.8	↓	15:	*10.8	→	16:	*10.6	↗	17:	*10.4	↑	18:	*10.2	↗	19:	*10.5	↓	20:	10.1	↙	Series		98.0	Total		193.0
1:	9.5	↗																																																																									
2:	10.1	↗																																																																									
3:	9.5	↙																																																																									
4:	*10.6	→																																																																									
5:	10.0	↗																																																																									
6:	9.0	↓																																																																									
7:	9.3	→																																																																									
8:	*10.2	↓																																																																									
9:	9.1	↙																																																																									
10:	10.0	↓																																																																									
Series		95.0																																																																									
Total		95.0																																																																									
11:	10.1	→																																																																									
12:	*10.3	→																																																																									
13:	9.6	↙																																																																									
14:	9.8	↓																																																																									
15:	*10.8	→																																																																									
16:	*10.6	↗																																																																									
17:	*10.4	↑																																																																									
18:	*10.2	↗																																																																									
19:	*10.5	↓																																																																									
20:	10.1	↙																																																																									
Series		98.0																																																																									
Total		193.0																																																																									

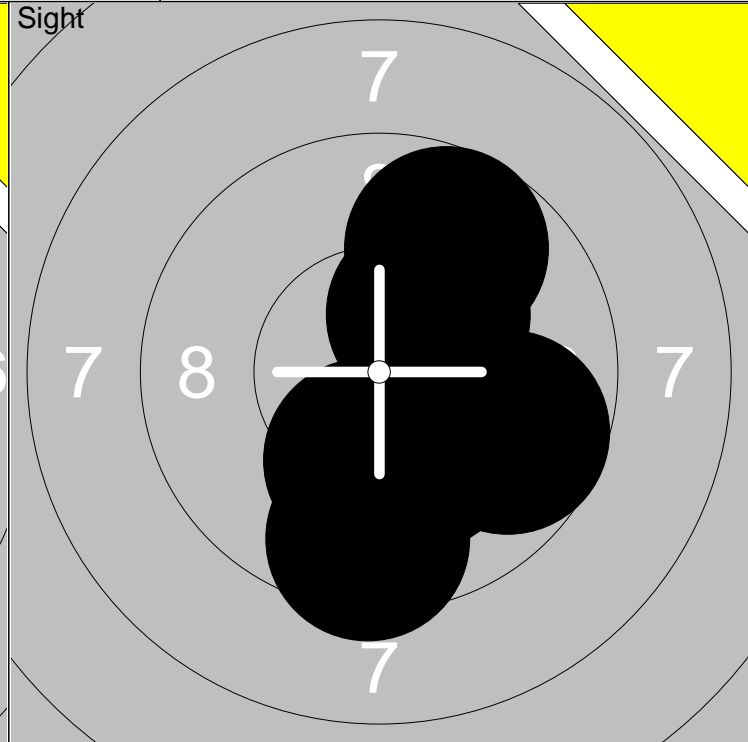
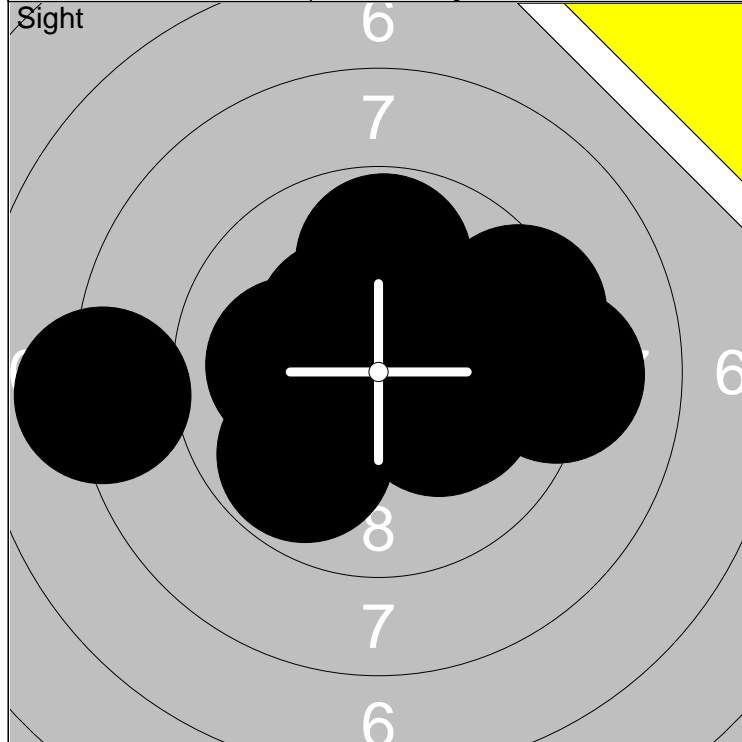
	<table border="1" style="width:100%; border-collapse: collapse;"> <tr><td>21:</td><td>*10.6</td><td>↗</td></tr> <tr><td>22:</td><td>8.9</td><td>↓</td></tr> <tr><td>23:</td><td>*10.8</td><td>↗</td></tr> <tr><td>24:</td><td>9.9</td><td>↘</td></tr> <tr><td>25:</td><td>9.4</td><td>↙</td></tr> <tr><td>26:</td><td>9.9</td><td>↘</td></tr> <tr><td>27:</td><td>*10.5</td><td>↙</td></tr> <tr><td>28:</td><td>9.2</td><td>↙</td></tr> <tr><td>29:</td><td>9.8</td><td>↗</td></tr> <tr><td>30:</td><td>*10.5</td><td>↖</td></tr> <tr><td colspan="2">Series</td><td>93.0</td></tr> <tr><td colspan="2">Total</td><td>286.0</td></tr> </table>	21:	*10.6	↗	22:	8.9	↓	23:	*10.8	↗	24:	9.9	↘	25:	9.4	↙	26:	9.9	↘	27:	*10.5	↙	28:	9.2	↙	29:	9.8	↗	30:	*10.5	↖	Series		93.0	Total		286.0		<table border="1" style="width:100%; border-collapse: collapse;"> <tr><td>31:</td><td>10.1</td><td>→</td></tr> <tr><td>32:</td><td>9.7</td><td>↙</td></tr> <tr><td>33:</td><td>8.3</td><td>→</td></tr> <tr><td>34:</td><td>9.6</td><td>↘</td></tr> <tr><td>35:</td><td>*10.2</td><td>↙</td></tr> <tr><td>36:</td><td>*10.3</td><td>↙</td></tr> <tr><td>37:</td><td>*10.7</td><td>↑</td></tr> <tr><td>38:</td><td>*10.7</td><td>→</td></tr> <tr><td>39:</td><td>10.1</td><td>→</td></tr> <tr><td>40:</td><td>*10.7</td><td>↘</td></tr> <tr><td colspan="2">Series</td><td>96.0</td></tr> <tr><td colspan="2">Total</td><td>382.0</td></tr> </table>	31:	10.1	→	32:	9.7	↙	33:	8.3	→	34:	9.6	↘	35:	*10.2	↙	36:	*10.3	↙	37:	*10.7	↑	38:	*10.7	→	39:	10.1	→	40:	*10.7	↘	Series		96.0	Total		382.0
21:	*10.6	↗																																																																									
22:	8.9	↓																																																																									
23:	*10.8	↗																																																																									
24:	9.9	↘																																																																									
25:	9.4	↙																																																																									
26:	9.9	↘																																																																									
27:	*10.5	↙																																																																									
28:	9.2	↙																																																																									
29:	9.8	↗																																																																									
30:	*10.5	↖																																																																									
Series		93.0																																																																									
Total		286.0																																																																									
31:	10.1	→																																																																									
32:	9.7	↙																																																																									
33:	8.3	→																																																																									
34:	9.6	↘																																																																									
35:	*10.2	↙																																																																									
36:	*10.3	↙																																																																									
37:	*10.7	↑																																																																									
38:	*10.7	→																																																																									
39:	10.1	→																																																																									
40:	*10.7	↘																																																																									
Series		96.0																																																																									
Total		382.0																																																																									

	<table border="1" style="width:100%; border-collapse: collapse;"> <tr><td>41:</td><td>9.2</td><td>↗</td></tr> <tr><td>42:</td><td>9.9</td><td>↙</td></tr> <tr><td>43:</td><td>*10.6</td><td>↗</td></tr> <tr><td>44:</td><td>*10.8</td><td>↗</td></tr> <tr><td>45:</td><td>9.7</td><td>↖</td></tr> <tr><td>46:</td><td>8.2</td><td>↗</td></tr> <tr><td>47:</td><td>9.9</td><td>↓</td></tr> <tr><td>48:</td><td>9.9</td><td>↘</td></tr> <tr><td>49:</td><td>9.0</td><td>↗</td></tr> <tr><td>50:</td><td>*10.2</td><td>↑</td></tr> <tr><td colspan="2">Series</td><td>92.0</td></tr> <tr><td colspan="2">Total</td><td>474.0</td></tr> </table>	41:	9.2	↗	42:	9.9	↙	43:	*10.6	↗	44:	*10.8	↗	45:	9.7	↖	46:	8.2	↗	47:	9.9	↓	48:	9.9	↘	49:	9.0	↗	50:	*10.2	↑	Series		92.0	Total		474.0		<table border="1" style="width:100%; border-collapse: collapse;"> <tr><td>51:</td><td>9.8</td><td>↘</td></tr> <tr><td>52:</td><td>8.7</td><td>→</td></tr> <tr><td>53:</td><td>*10.2</td><td>↑</td></tr> <tr><td>54:</td><td>9.2</td><td>↗</td></tr> <tr><td>55:</td><td>10.1</td><td>↙</td></tr> <tr><td>56:</td><td>*10.4</td><td>↑</td></tr> <tr><td>57:</td><td>*10.6</td><td>↓</td></tr> <tr><td>58:</td><td>*10.8</td><td>→</td></tr> <tr><td>59:</td><td>*10.2</td><td>↘</td></tr> <tr><td>60:</td><td>10.1</td><td>↑</td></tr> <tr><td colspan="2">Series</td><td>96.0</td></tr> <tr><td colspan="2">Total</td><td>570.0</td></tr> </table>	51:	9.8	↘	52:	8.7	→	53:	*10.2	↑	54:	9.2	↗	55:	10.1	↙	56:	*10.4	↑	57:	*10.6	↓	58:	*10.8	→	59:	*10.2	↘	60:	10.1	↑	Series		96.0	Total		570.0
41:	9.2	↗																																																																									
42:	9.9	↙																																																																									
43:	*10.6	↗																																																																									
44:	*10.8	↗																																																																									
45:	9.7	↖																																																																									
46:	8.2	↗																																																																									
47:	9.9	↓																																																																									
48:	9.9	↘																																																																									
49:	9.0	↗																																																																									
50:	*10.2	↑																																																																									
Series		92.0																																																																									
Total		474.0																																																																									
51:	9.8	↘																																																																									
52:	8.7	→																																																																									
53:	*10.2	↑																																																																									
54:	9.2	↗																																																																									
55:	10.1	↙																																																																									
56:	*10.4	↑																																																																									
57:	*10.6	↓																																																																									
58:	*10.8	→																																																																									
59:	*10.2	↘																																																																									
60:	10.1	↑																																																																									
Series		96.0																																																																									
Total		570.0																																																																									

Relay <b>3</b>	Lane <b>4</b>	<b>Joar Karlsson</b>		
-------------------	------------------	----------------------	--	--

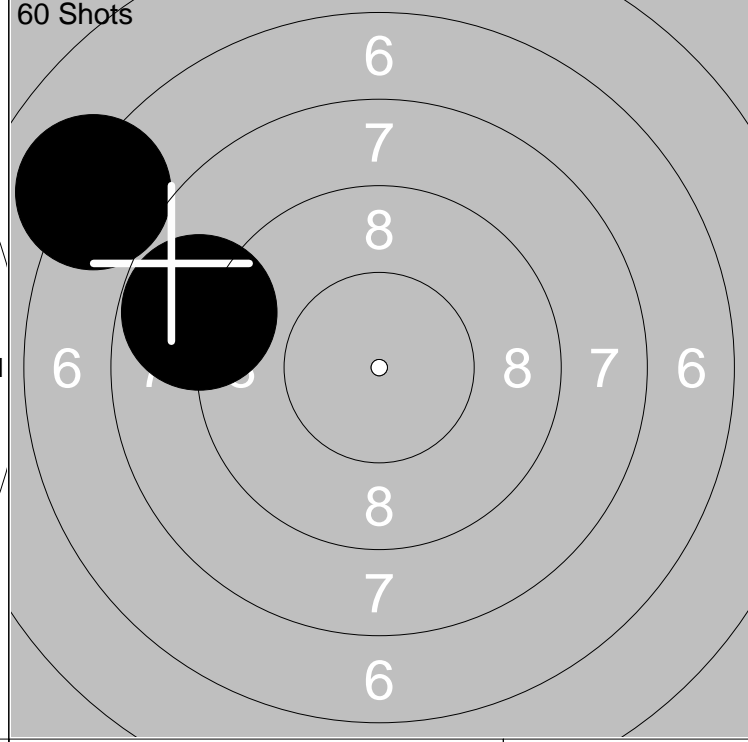
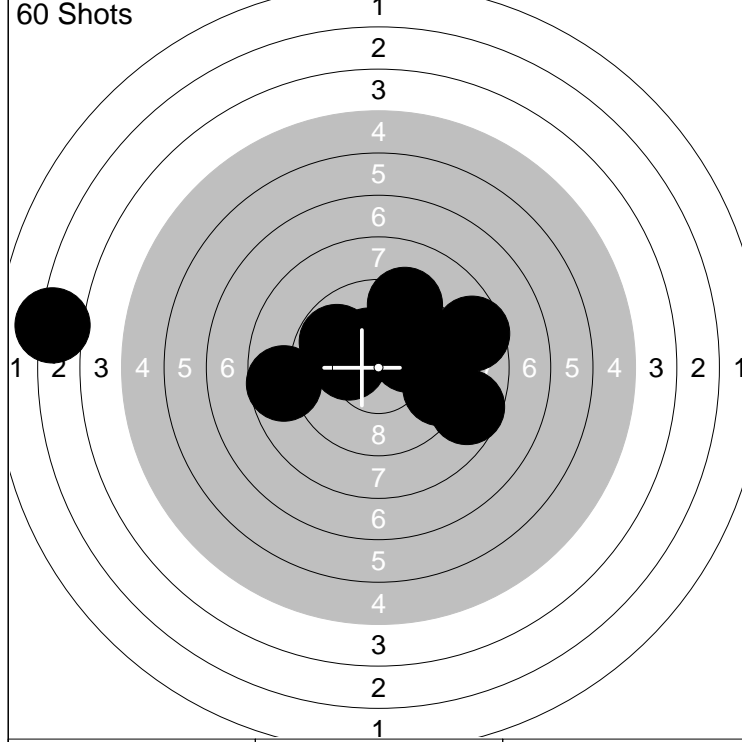
10m	Söderala	20	Gä
-----	----------	----	----

03.11.2013	Vindelskyttet 2013	Ramselefors SKF
------------	--------------------	-----------------



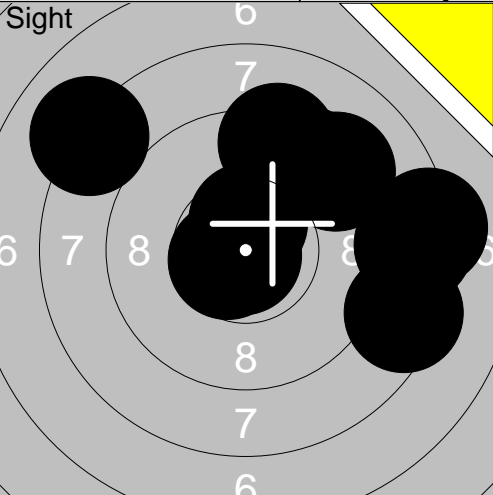
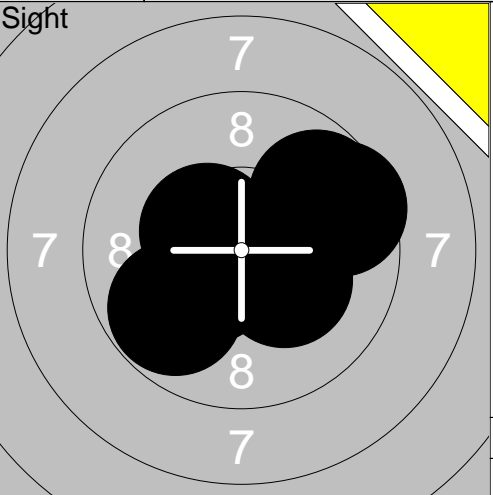
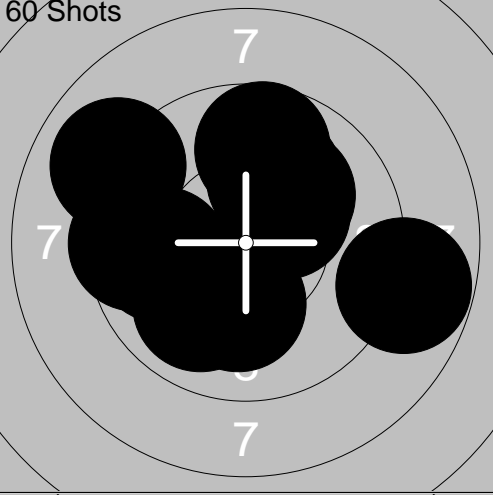
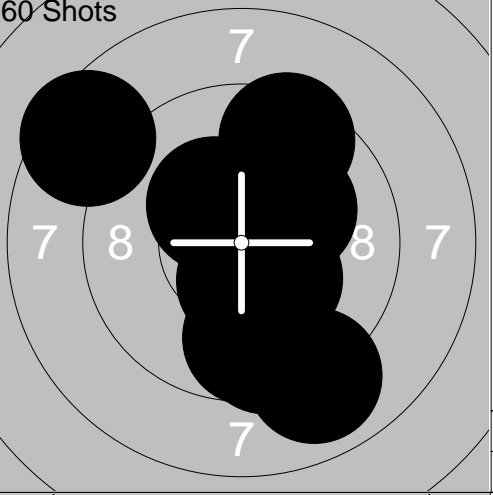
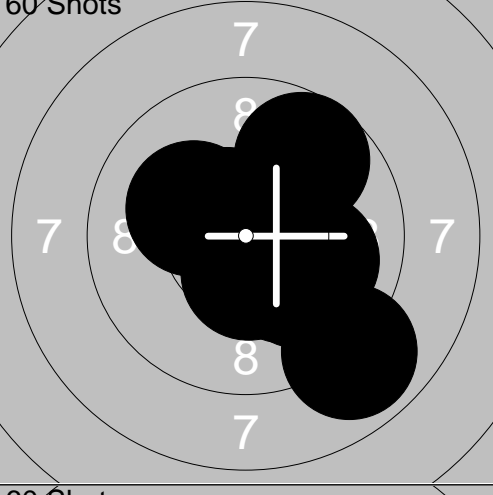
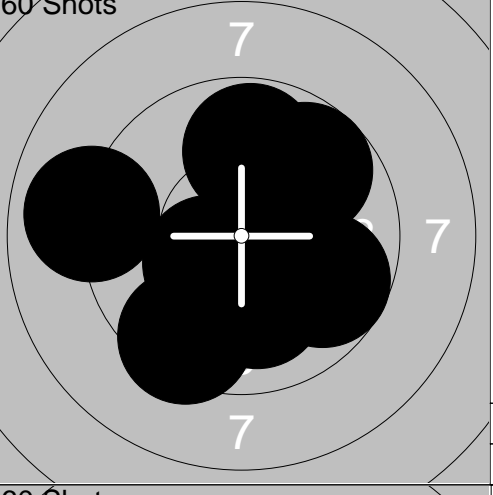
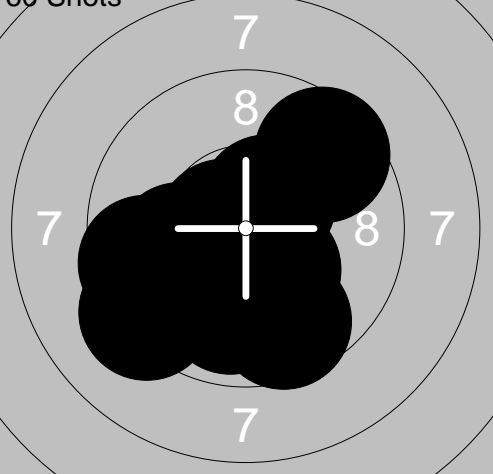
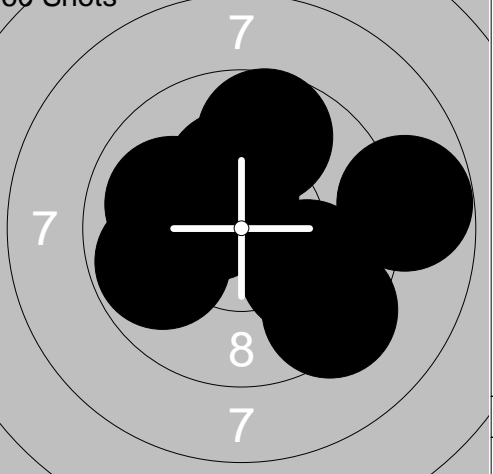
1: *10.2 ↘	6: 9.4 →	Series 94.0
2: 8.1 ←	7: *10.4 ↗	
3: 9.8 ↑	8: *10.4 ↖	Total 0.0
4: 10.1 ←	9: 9.8 ↙	
5: *10.2 ↘	10: 9.1 →	

11: 9.7 →	16: *10.3 ↗	Series 57.0
12: 9.5 ↓	13: *10.2 ↓	
14: *10.2 ↓	15: 9.7 ↗	Total 0.0

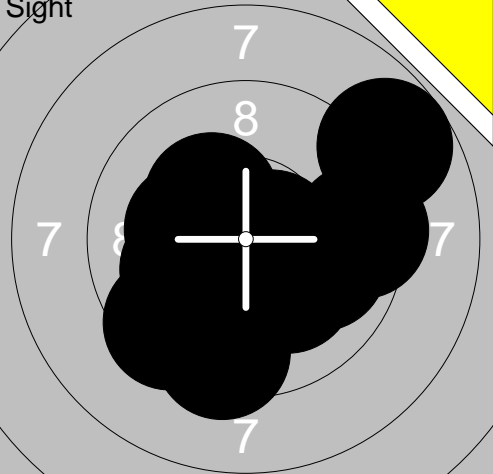
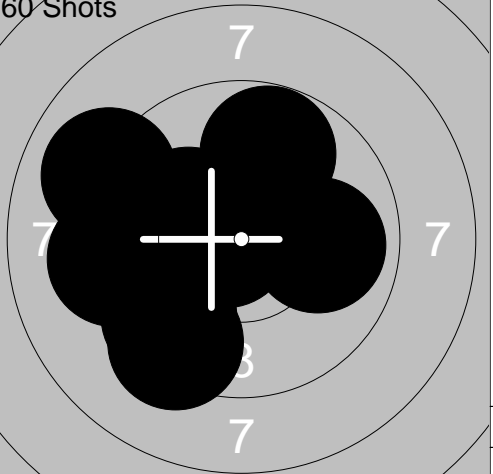



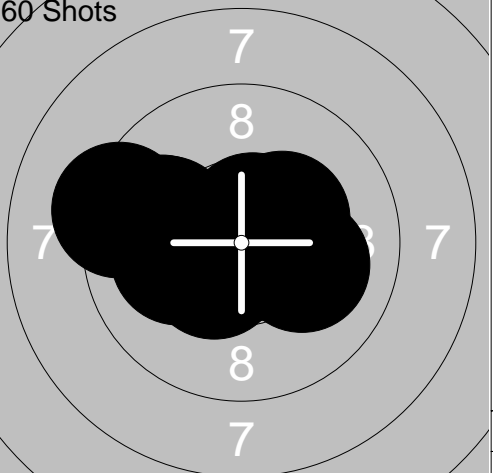
1: 9.8 ↖	6: 9.4 →	Series 84.0
2: *10.2 ↖	7: 3.1 ←	
3: 8.6 →	8: *10.2 →	Total 84.0
4: *10.4 ↗	9: 8.7 ←	
5: 9.3 ↗	10: 8.6 →	



11: 7.1 ↖	Series 15.0
12: 8.8 ←	
	Total 99.0

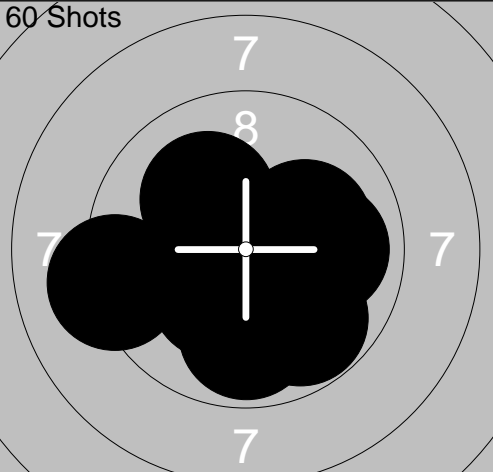
Relay	Lane	Henrik Lindström			
3	5				
10m	Forsa	Sen	Gä		
03.11.2013	Vindelnskytten 2013	Ramselefors SKF			
Sight		1: *10.5 ↑ 2: 8.2 → 3: 9.2 ↗ 4: 9.4 ↗ 5: 8.4 → 6: *10.9 ↓ 7: 9.3 ↑ 8: 8.4 → 9: 8.0 ↗ 10: *10.6 ← Series 89.0 Total 0.0	Sight		11: *10.3 ↘ 12: 9.8 ↙ 13: 9.7 ↗ 14: *10.4 ↙ 15: 9.6 ↗ 16: *10.4 ↙ Series 57.0 Total 0.0
60 Shots		1: 9.8 ← 2: 9.9 ↙ 3: 9.0 ↗ 4: *10.3 ↗ 5: 10.1 ↓ 6: 10.1 ↗ 7: 9.5 ← 8: 8.8 → 9: 9.7 ↑ 10: 10.0 ↑ Series 93.0 Total 93.0	60 Shots		11: 9.7 ↓ 12: *10.4 ↓ 13: *10.3 ↗ 14: 9.5 ↑ 15: *10.3 ↓ 16: 9.7 ↓ 17: 8.9 ↓ 18: *10.2 ↗ 19: 9.5 ↓ 20: 8.5 ↗ Series 92.0 Total 185.0
60 Shots		21: 8.9 ↘ 22: *10.7 → 23: 10.0 ↘ 24: 10.1 ↘ 25: 10.0 → 26: *10.2 ↗ 27: 9.7 ↗ 28: *10.5 ↓ 29: *10.6 ↗ 30: *10.2 ↘ Series 97.0 Total 282.0	60 Shots		31: 8.9 ← 32: 9.8 ↑ 33: *10.4 → 34: 9.7 ↗ 35: 9.7 → 36: *10.4 → 37: *10.6 ↓ 38: 9.4 ↓ 39: 10.1 ↓ 40: *10.4 ↙ Series 94.0 Total 376.0
60 Shots		41: *10.7 ← 42: 9.2 ↙ 43: 9.6 ← 44: 10.0 ← 45: 9.5 ↗ 46: *10.5 ↗ 47: 9.6 ↓ 48: *10.2 ← 49: 9.9 ↓ 50: *10.3 ↘ Series 95.0 Total 471.0	60 Shots		51: 9.4 ↘ 52: *10.5 ↑ 53: 10.0 ← 54: 10.0 ← 55: 9.7 ↑ 56: 9.8 ← 57: *10.3 ↑ 58: 8.8 → 59: 9.9 ↘ 60: *10.5 ↙ Series 94.0 Total 565.0


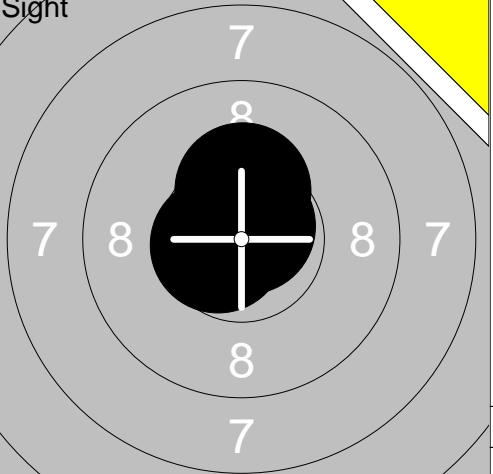


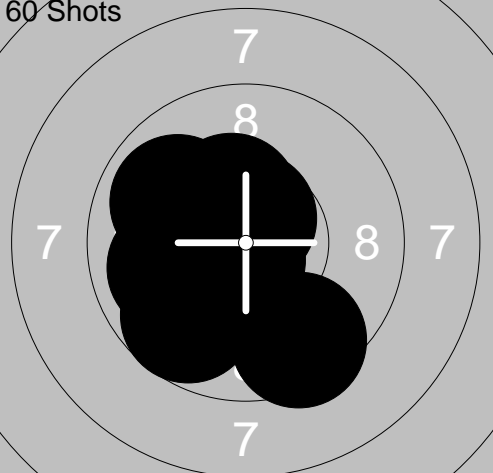

<p><b>Sight</b></p> 	<p><b>60 Shots</b></p> 	<table border="1" style="width:100%; border-collapse: collapse;"> <tr><td>1:</td><td>9.9</td><td>→</td></tr> <tr><td>2:</td><td>10.1</td><td>←</td></tr> <tr><td>3:</td><td>9.4</td><td>↓</td></tr> <tr><td>4:</td><td>10.1</td><td>↓</td></tr> <tr><td>5:</td><td>8.7</td><td>↗</td></tr> <tr><td>6:</td><td>9.4</td><td>→</td></tr> <tr><td>7:</td><td>*10.3</td><td>↗</td></tr> <tr><td>8:</td><td>9.5</td><td>↙</td></tr> <tr><td>9:</td><td>*10.2</td><td>←</td></tr> <tr><td>10:</td><td>*10.6</td><td>→</td></tr> <tr><td colspan="2"><b>Series</b></td><td>94.0</td></tr> <tr><td colspan="2"><b>Total</b></td><td>0.0</td></tr> </table>	1:	9.9	→	2:	10.1	←	3:	9.4	↓	4:	10.1	↓	5:	8.7	↗	6:	9.4	→	7:	*10.3	↗	8:	9.5	↙	9:	*10.2	←	10:	*10.6	→	<b>Series</b>		94.0	<b>Total</b>		0.0
1:	9.9	→																																				
2:	10.1	←																																				
3:	9.4	↓																																				
4:	10.1	↓																																				
5:	8.7	↗																																				
6:	9.4	→																																				
7:	*10.3	↗																																				
8:	9.5	↙																																				
9:	*10.2	←																																				
10:	*10.6	→																																				
<b>Series</b>		94.0																																				
<b>Total</b>		0.0																																				


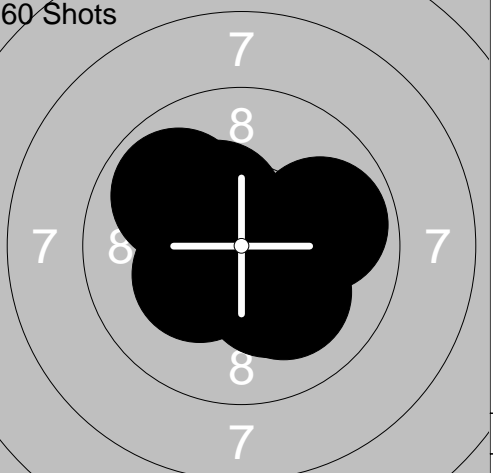
<p><b>60 Shots</b></p> 	<p><b>60 Shots</b></p> 	<table border="1" style="width:100%; border-collapse: collapse;"> <tr><td>11:</td><td>*10.4</td><td>↓</td></tr> <tr><td>12:</td><td>10.0</td><td>↘</td></tr> <tr><td>13:</td><td>*10.8</td><td>↘</td></tr> <tr><td>14:</td><td>8.9</td><td>↗</td></tr> <tr><td>15:</td><td>*10.6</td><td>↗</td></tr> <tr><td>16:</td><td>*10.4</td><td>↗</td></tr> <tr><td>17:</td><td>9.4</td><td>↑</td></tr> <tr><td>18:</td><td>9.9</td><td>↑</td></tr> <tr><td>19:</td><td>*10.9</td><td>↗</td></tr> <tr><td>20:</td><td>*10.4</td><td>←</td></tr> <tr><td colspan="2"><b>Series</b></td><td>96.0</td></tr> <tr><td colspan="2"><b>Total</b></td><td>190.0</td></tr> </table>	11:	*10.4	↓	12:	10.0	↘	13:	*10.8	↘	14:	8.9	↗	15:	*10.6	↗	16:	*10.4	↗	17:	9.4	↑	18:	9.9	↑	19:	*10.9	↗	20:	*10.4	←	<b>Series</b>		96.0	<b>Total</b>		190.0
11:	*10.4	↓																																				
12:	10.0	↘																																				
13:	*10.8	↘																																				
14:	8.9	↗																																				
15:	*10.6	↗																																				
16:	*10.4	↗																																				
17:	9.4	↑																																				
18:	9.9	↑																																				
19:	*10.9	↗																																				
20:	*10.4	←																																				
<b>Series</b>		96.0																																				
<b>Total</b>		190.0																																				


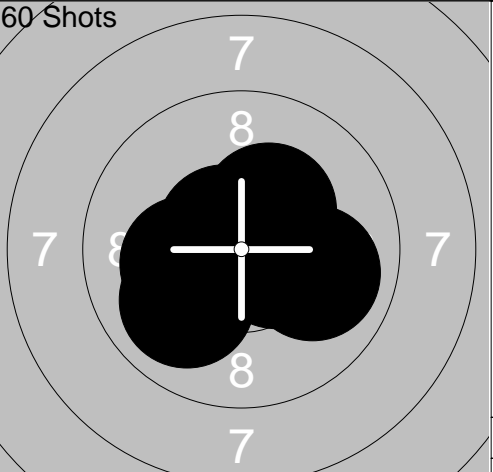
<p><b>60 Shots</b></p> 	<p><b>60 Shots</b></p> 	<table border="1" style="width:100%; border-collapse: collapse;"> <tr><td>21:</td><td>*10.6</td><td>↗</td></tr> <tr><td>22:</td><td>*10.8</td><td>↓</td></tr> <tr><td>23:</td><td>9.9</td><td>←</td></tr> <tr><td>24:</td><td>*10.3</td><td>↗</td></tr> <tr><td>25:</td><td>*10.6</td><td>←</td></tr> <tr><td>26:</td><td>10.1</td><td>→</td></tr> <tr><td>27:</td><td>*10.4</td><td>↙</td></tr> <tr><td>28:</td><td>9.9</td><td>←</td></tr> <tr><td>29:</td><td>9.3</td><td>←</td></tr> <tr><td>30:</td><td>10.1</td><td>←</td></tr> <tr><td colspan="2"><b>Series</b></td><td>97.0</td></tr> <tr><td colspan="2"><b>Total</b></td><td>287.0</td></tr> </table>	21:	*10.6	↗	22:	*10.8	↓	23:	9.9	←	24:	*10.3	↗	25:	*10.6	←	26:	10.1	→	27:	*10.4	↙	28:	9.9	←	29:	9.3	←	30:	10.1	←	<b>Series</b>		97.0	<b>Total</b>		287.0
21:	*10.6	↗																																				
22:	*10.8	↓																																				
23:	9.9	←																																				
24:	*10.3	↗																																				
25:	*10.6	←																																				
26:	10.1	→																																				
27:	*10.4	↙																																				
28:	9.9	←																																				
29:	9.3	←																																				
30:	10.1	←																																				
<b>Series</b>		97.0																																				
<b>Total</b>		287.0																																				


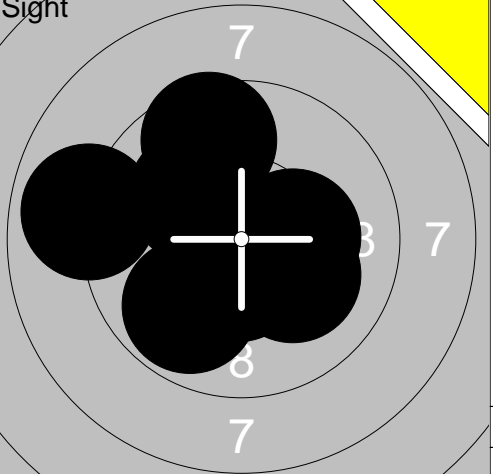
<p><b>60 Shots</b></p> 	<table border="1" style="width:100%; border-collapse: collapse;"> <tr><td>31:</td><td>7.9</td><td>←</td></tr> <tr><td>32:</td><td>9.9</td><td>↗</td></tr> <tr><td>33:</td><td>*10.2</td><td>→</td></tr> <tr><td>34:</td><td>*10.5</td><td>↑</td></tr> <tr><td>35:</td><td>8.9</td><td>↗</td></tr> <tr><td>36:</td><td>10.1</td><td>↗</td></tr> <tr><td>37:</td><td>9.9</td><td>←</td></tr> <tr><td>38:</td><td>9.6</td><td>↗</td></tr> <tr><td>39:</td><td>*10.2</td><td>←</td></tr> <tr><td>40:</td><td>*10.4</td><td>←</td></tr> <tr><td colspan="2"><b>Series</b></td><td>92.0</td></tr> <tr><td colspan="2"><b>Total</b></td><td>379.0</td></tr> </table>	31:	7.9	←	32:	9.9	↗	33:	*10.2	→	34:	*10.5	↑	35:	8.9	↗	36:	10.1	↗	37:	9.9	←	38:	9.6	↗	39:	*10.2	←	40:	*10.4	←	<b>Series</b>		92.0	<b>Total</b>		379.0	<table border="1" style="width:100%; border-collapse: collapse;"> <tr><td>41:</td><td>*10.6</td><td>↗</td></tr> <tr><td>42:</td><td>9.6</td><td>→</td></tr> <tr><td>43:</td><td>*10.2</td><td>↓</td></tr> <tr><td>44:</td><td>*10.2</td><td>↗</td></tr> <tr><td>45:</td><td>*10.6</td><td>↓</td></tr> <tr><td>46:</td><td>9.5</td><td>↗</td></tr> <tr><td>47:</td><td>10.0</td><td>←</td></tr> <tr><td>48:</td><td>*10.5</td><td>←</td></tr> <tr><td>49:</td><td>8.7</td><td>↘</td></tr> <tr><td>50:</td><td>9.4</td><td>↘</td></tr> <tr><td colspan="2"><b>Series</b></td><td>95.0</td></tr> <tr><td colspan="2"><b>Total</b></td><td>474.0</td></tr> </table>	41:	*10.6	↗	42:	9.6	→	43:	*10.2	↓	44:	*10.2	↗	45:	*10.6	↓	46:	9.5	↗	47:	10.0	←	48:	*10.5	←	49:	8.7	↘	50:	9.4	↘	<b>Series</b>		95.0	<b>Total</b>		474.0
31:	7.9	←																																																																								
32:	9.9	↗																																																																								
33:	*10.2	→																																																																								
34:	*10.5	↑																																																																								
35:	8.9	↗																																																																								
36:	10.1	↗																																																																								
37:	9.9	←																																																																								
38:	9.6	↗																																																																								
39:	*10.2	←																																																																								
40:	*10.4	←																																																																								
<b>Series</b>		92.0																																																																								
<b>Total</b>		379.0																																																																								
41:	*10.6	↗																																																																								
42:	9.6	→																																																																								
43:	*10.2	↓																																																																								
44:	*10.2	↗																																																																								
45:	*10.6	↓																																																																								
46:	9.5	↗																																																																								
47:	10.0	←																																																																								
48:	*10.5	←																																																																								
49:	8.7	↘																																																																								
50:	9.4	↘																																																																								
<b>Series</b>		95.0																																																																								
<b>Total</b>		474.0																																																																								


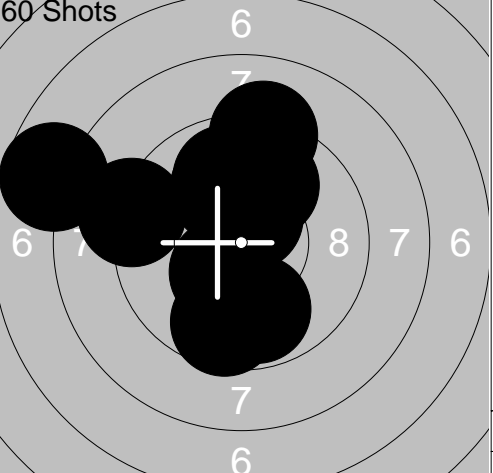
<p><b>Sight</b></p> 	<p>1: *10.2 ↗ 2: *10.4 ↓ 3: *10.6 ↗ 4: *10.3 ↙ 5: 10.1 ↑ 6: 10.0 ↑ 7: 9.7 → 8: *10.3 ↗ 9: *10.7 ↓ 10: *10.7 ←</p> <p>Series 99.0 Total 0.0</p>	<p><b>Sight</b></p> 	<p>11: *10.3 ↑ 12: *10.8 ↗ 13: *10.6 ←</p> <p>Series 30.0 Total 0.0</p>
--	--	--	---


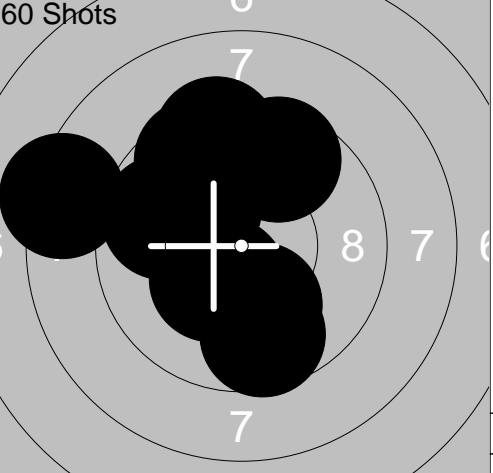
<p><b>60 Shots</b></p> 	<p>1: *10.4 ↑ 2: *10.6 ↑ 3: 9.9 ↗ 4: *10.7 ↓ 5: 9.7 ↓ 6: 9.5 ↓ 7: *10.4 ↗ 8: 10.0 ↓ 9: *10.2 ↓ 10: 9.9 ←</p> <p>Series 96.0 Total 96.0</p>	<p><b>60 Shots</b></p> 	<p>11: *10.8 ↑ 12: 9.8 ↑ 13: 9.9 ↑ 14: *10.5 ↑ 15: *10.3 ↓ 16: 10.1 ↓ 17: 10.0 ↑ 18: 10.0 ↗ 19: *10.8 → 20: *10.3 ←</p> <p>Series 98.0 Total 194.0</p>
--	--	--	--

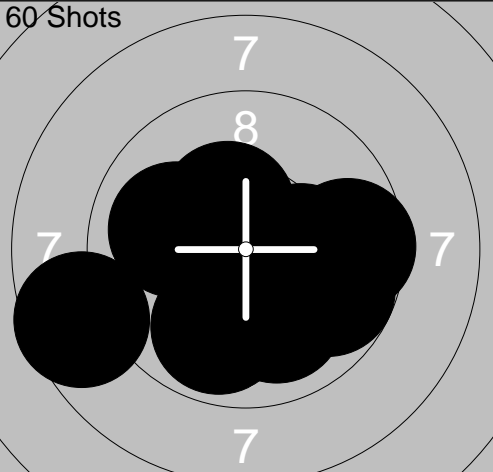
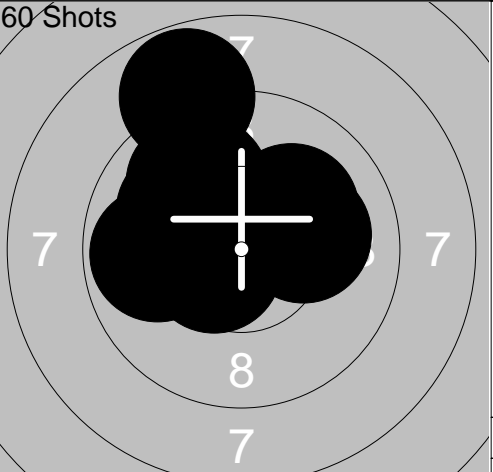
<p><b>60 Shots</b></p> 	<p>21: *10.7 ↗ 22: 10.1 ↓ 23: *10.8 ↓ 24: *10.2 ← 25: *10.6 → 26: 10.1 ↓ 27: *10.3 ↗ 28: *10.6 ↑ 29: *10.2 ← 30: *10.6 ↗</p> <p>Series 100.0 Total 294.0</p>	<p><b>60 Shots</b></p> 	<p>31: *10.3 ← 32: 9.9 ↗ 33: *10.3 ↗ 34: *10.8 ← 35: 9.9 → 36: *10.6 → 37: *10.4 ↗ 38: *10.5 ← 39: *10.3 ↓ 40: 10.1 ↓</p> <p>Series 98.0 Total 392.0</p>
---	--	---	--

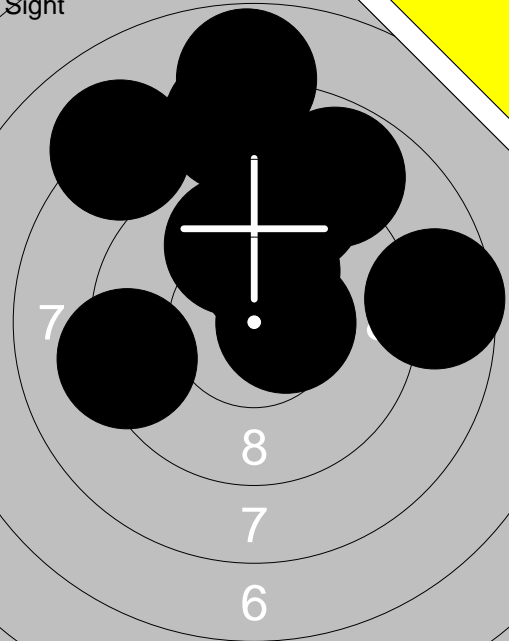
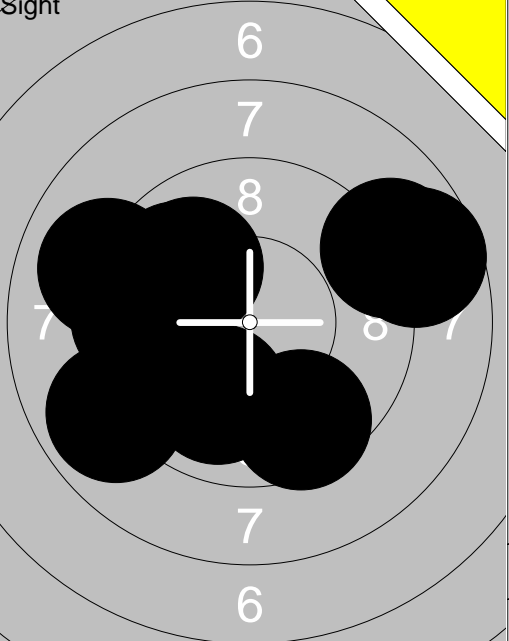
<p><b>60 Shots</b></p> 	<p>41: 10.0 ↓ 42: *10.7 ← 43: *10.2 ← 44: *10.2 ↑ 45: *10.4 ← 46: *10.8 ↗ 47: *10.6 ↓ 48: *10.7 ← 49: 9.9 ← 50: *10.6 ↓</p> <p>Series 99.0 Total 491.0</p>	<p><b>60 Shots</b></p> 	<p>51: 10.0 → 52: *10.6 ↗ 53: *10.5 → 54: *10.8 ↓ 55: *10.2 ← 56: *10.5 → 57: *10.3 ↗ 58: *10.5 ← 59: 10.0 ↙ 60: *10.8 ↗</p> <p>Series 100.0 Total 591.0</p>
---	--	---	--

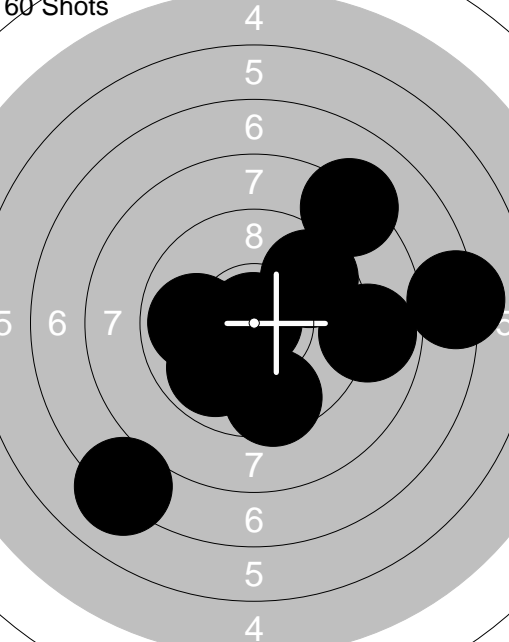
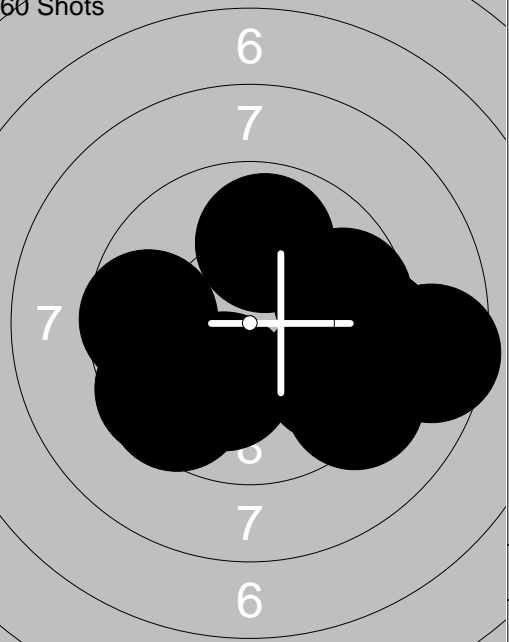
<p><b>Sight</b></p> 	<p>1: *10.3 ↗ 2: 8.7 ← 3: *10.5 ↗ 4: 9.3 → 5: 9.7 ↗ 6: 9.4 ← 7: *10.2 → 8: *10.6 ← 9: 9.8 → 10: *10.3 ↗</p> <p>Series 94.0 Total 0.0</p>	<p><b>Sight</b></p> 	<p>11: 10.1 ↘ 12: *10.7 ↘ 13: 8.9 ← 14: *10.5 ↓ 15: 9.6 ↑ 16: 9.8 ↘ 17: *10.3 → 18: 10.1 ↗</p> <p>Series 76.0 Total 0.0</p>
--	--	--	---

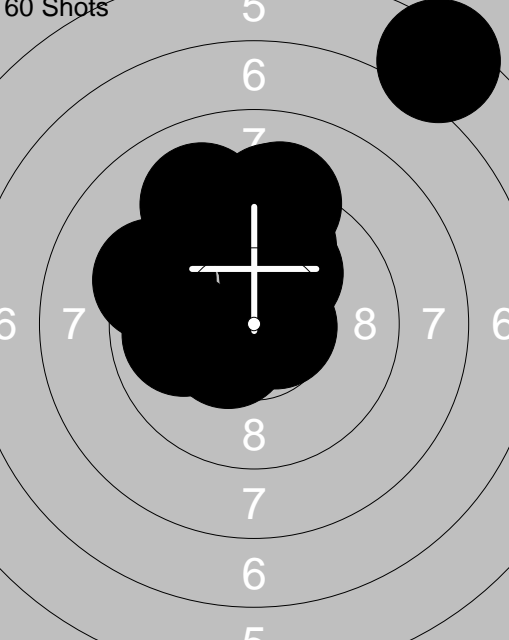
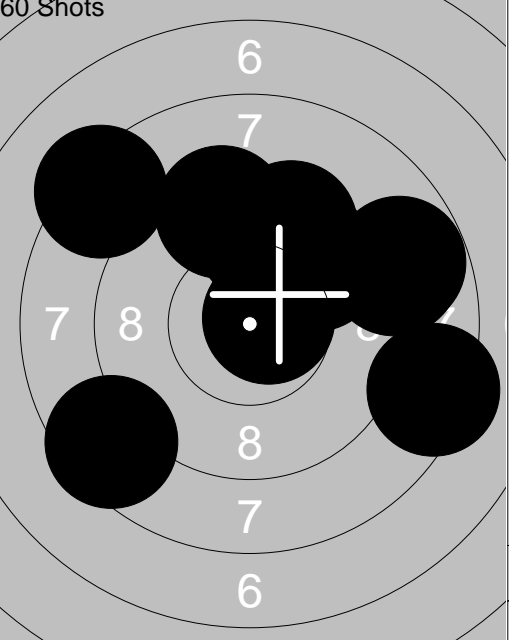
<p><b>60 Shots</b></p> 	<p>1: *10.4 ← 2: 9.8 ↗ 3: *10.2 ↓ 4: 9.6 ↗ 5: 9.2 ↘ 6: *10.6 ↗ 7: 10.0 ↓ 8: *10.5 ↑ 9: 9.6 ← 10: *10.7 ←</p> <p>Series 96.0 Total 96.0</p>	<p><b>60 Shots</b></p> 	<p>11: 9.1 ← 12: 9.9 ↑ 13: 9.6 ↓ 14: *10.5 ↑ 15: *10.4 ↓ 16: 7.7 ← 17: 9.8 ↓ 18: 9.9 ↑ 19: 9.2 ↑ 20: 10.0 ↑</p> <p>Series 91.0 Total 187.0</p>
--	--	--	--

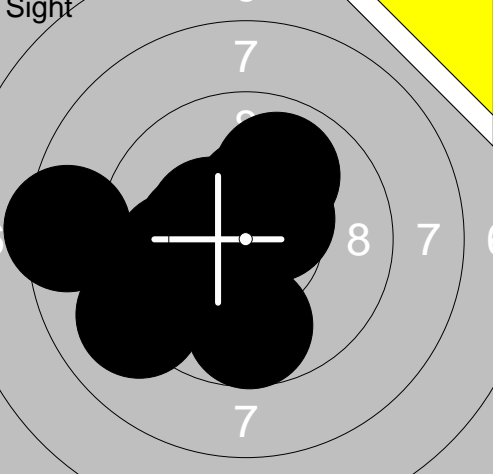
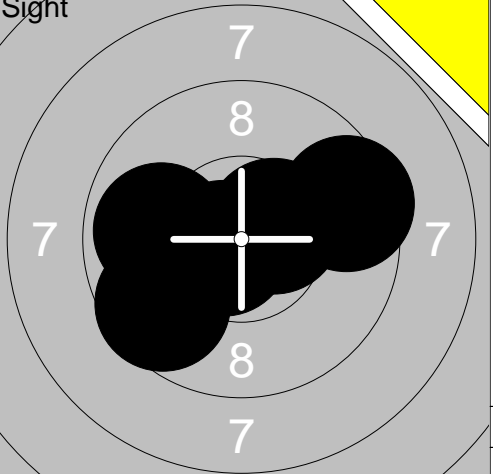
<p><b>60 Shots</b></p> 	<p>21: 9.9 ↑ 22: *10.6 ↑ 23: 9.9 ↑ 24: 9.6 ← 25: 9.4 ↘ 26: 10.0 ↗ 27: 10.0 ↗ 28: 9.8 ↑ 29: 8.7 ↘ 30: *10.2 ↓</p> <p>Series 93.0 Total 280.0</p>	<p><b>60 Shots</b></p> 	<p>31: *10.3 ↘ 32: 9.6 ↑ 33: 9.6 ↗ 34: 8.3 ← 35: 10.1 ↗ 36: 9.6 ↓ 37: *10.4 ↓ 38: 10.1 ↓ 39: 9.4 ↑ 40: 9.8 ←</p> <p>Series 93.0 Total 373.0</p>
---	---	---	---



<p><b>60 Shots</b></p> 	<p>41: 9.7 ↘ 42: *10.2 → 43: 9.9 ↓ 44: 10.0 ↓ 45: *10.4 ↗ 46: *10.4 ↗ 47: 8.6 ← 48: *10.3 ↓ 49: 9.6 → 50: 10.0 ←</p> <p>Series 95.0 Total 468.0</p>	<p><b>60 Shots</b></p> 	<p>51: 8.8 ↑ 52: 10.1 → 53: 9.9 ↗ 54: *10.5 ← 55: *10.5 ↑ 56: 10.0 ↗ 57: *10.4 ← 58: 9.8 ← 59: 10.1 ↗ 60: 9.9 ↗</p> <p>Series 95.0 Total 563.0</p>
---	---	---	--



 <p style="text-align: center;">Sight</p>	<p>1: 9.9 ↑</p> <p>2: *10.5 →</p> <p>3: 8.2 ↖</p> <p>4: 9.3 ←</p> <p>5: 8.8 ↗</p> <p>6: 8.6 →</p> <p>7: 8.4 ↑</p> <p>8: 9.4 ↗</p> <p>9: 7.8 ↑</p> <p>10: *10.3 ↗</p> <hr/> <p>Series 86.0</p> <p>Total 0.0</p>	 <p style="text-align: center;">Sight</p>	<p>11: 8.7 →</p> <p>12: 8.9 ↖</p> <p>13: 9.6 ←</p> <p>14: 9.9 ↘</p> <p>15: 9.5 ↘</p> <p>16: 9.0 ↖</p> <p>17: 9.8 ↗</p> <p>18: 9.9 ↗</p> <p>19: 8.9 →</p> <hr/> <p>Series 78.0</p> <p>Total 0.0</p>
---	--	---	--

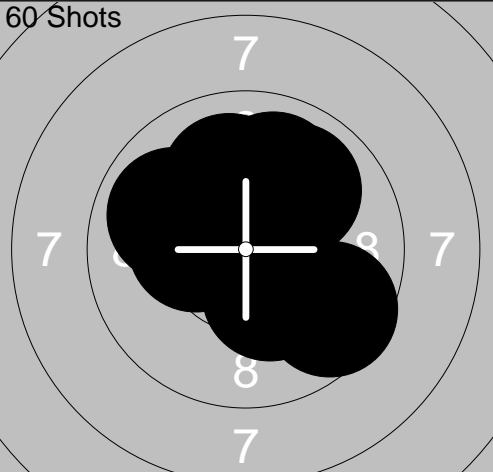
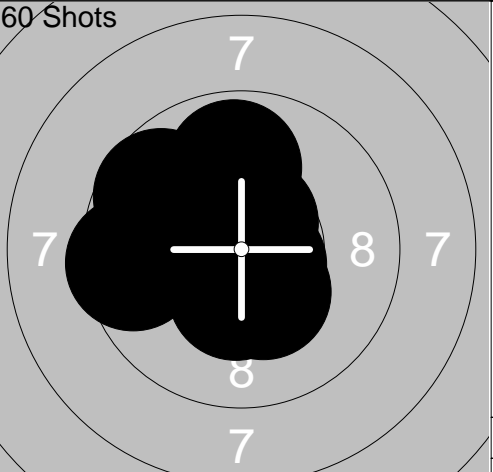
 <p style="text-align: center;">60 Shots</p>	<p>1: 9.9 ↘</p> <p>2: 7.2 →</p> <p>3: *10.3 ←</p> <p>4: 8.9 →</p> <p>5: 9.6 ↗</p> <p>6: 9.9 ←</p> <p>7: *10.9 ↖</p> <p>8: 9.5 ↘</p> <p>9: 7.1 ↘</p> <p>10: 8.2 ↗</p> <hr/> <p>Series 86.0</p> <p>Total 86.0</p>	 <p style="text-align: center;">60 Shots</p>	<p>11: 8.6 →</p> <p>12: 9.7 ↘</p> <p>13: 9.6 ↘</p> <p>14: 9.7 →</p> <p>15: 9.9 ↑</p> <p>16: 9.3 ↘</p> <p>17: 9.4 →</p> <p>18: 9.6 ←</p> <p>19: 10.1 ↘</p> <p>20: 9.5 ↘</p> <hr/> <p>Series 90.0</p> <p>Total 176.0</p>
---	---	---	--

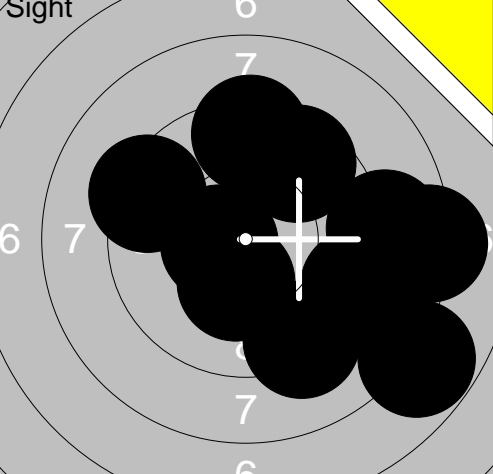
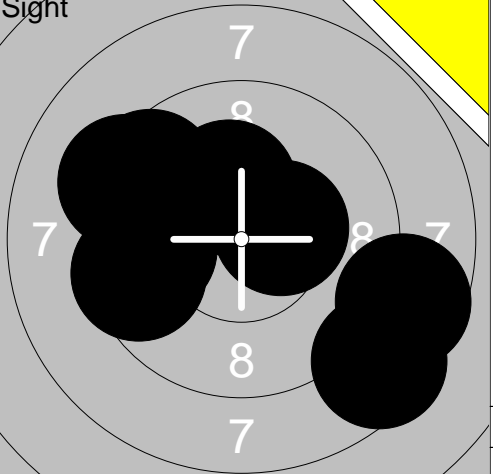
 <p style="text-align: center;">60 Shots</p>	<p>21: 9.8 ↑</p> <p>22: 9.2 ↑</p> <p>23: *10.6 →</p> <p>24: 10.1 ↗</p> <p>25: 9.9 ←</p> <p>26: 9.4 ↖</p> <p>27: *10.5 ↘</p> <p>28: 6.3 ↗</p> <p>29: 9.2 ↑</p> <p>30: 9.1 ↗</p> <hr/> <p>Series 90.0</p> <p>Total 266.0</p>	 <p style="text-align: center;">60 Shots</p>	<p>31: *10.7 →</p> <p>32: 9.5 ↑</p> <p>33: 8.5 ↖</p> <p>34: 8.8 →</p> <p>35: 9.8 ↗</p> <p>36: 8.3 →</p> <p>37: 9.8 ↑</p> <p>38: 9.4 ↑</p> <p>39: 8.3 ↖</p> <p>40: 8.9 →</p> <hr/> <p>Series 86.0</p> <p>Total 352.0</p>
--	--	--	---


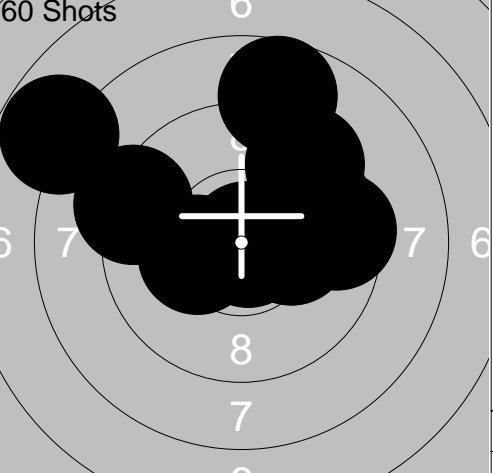
<p><b>Sight</b></p> 	<p>1: *10.4 ↖ 2: 9.7 ↓ 3: *10.8 ← 4: 8.4 ← 5: 9.9 ← 6: *10.5 ↗ 7: 9.1 ↙ 8: 10.0 ↗ 9: *10.3 ← 10: *10.4 ↗</p> <p>Series 95.0 Total 0.0</p>	<p><b>Sight</b></p> 	<p>11: *10.7 ↙ 12: 9.9 ← 13: 9.5 → 14: 9.6 ↙ 15: *10.5 →</p> <p>Series 47.0 Total 0.0</p>
--	---	--	---

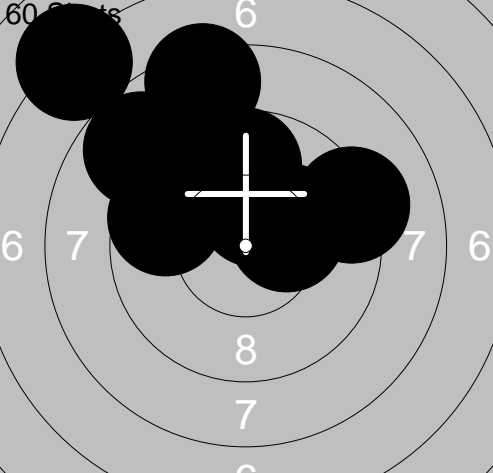
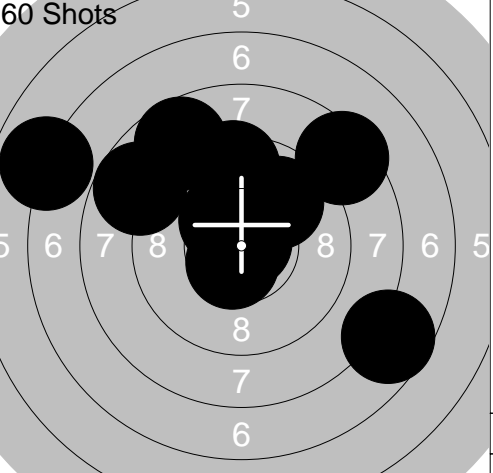
<p><b>60 Shots</b></p> 	<p>1: *10.6 ↙ 2: 9.1 ↙ 3: *10.5 → 4: 9.1 ← 5: *10.6 ↗ 6: 10.0 ↗ 7: *10.3 ↙ 8: 8.9 ↗ 9: *10.2 ↗ 10: *10.4 ↗</p> <p>Series 96.0 Total 96.0</p>	<p><b>60 Shots</b></p> 	<p>11: 9.6 ↙ 12: 10.1 → 13: *10.7 ← 14: 10.1 ↗ 15: 8.8 ↙ 16: *10.3 ↙ 17: 10.0 ↗ 18: 10.0 → 19: 10.0 ↙ 20: *10.3 →</p> <p>Series 97.0 Total 193.0</p>
--	--	--	--

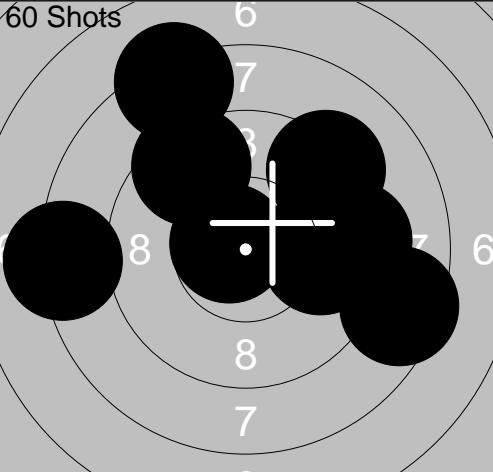
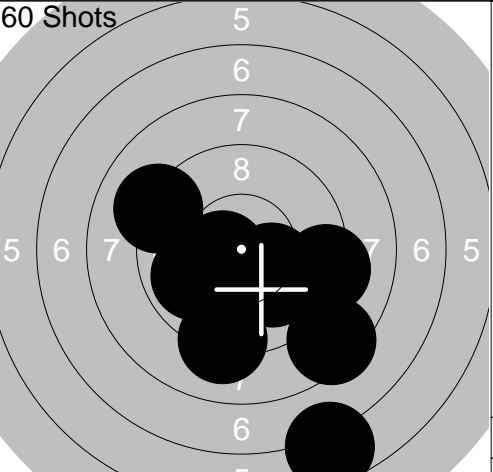
<p><b>60 Shots</b></p> 	<p>21: 8.6 ← 22: 9.9 ← 23: 10.0 ↖ 24: 9.2 ↗ 25: *10.2 ↖ 26: 9.5 ↙ 27: *10.7 ↙ 28: 9.6 → 29: 9.7 ↗ 30: 9.6 ←</p> <p>Series 92.0 Total 285.0</p>	<p><b>60 Shots</b></p> 	<p>31: 9.4 ↙ 32: 9.8 ↖ 33: 9.3 ↙ 34: *10.3 ↙ 35: 8.4 → 36: 9.5 ↙ 37: 8.0 → 38: 9.7 → 39: 10.0 ↙ 40: 9.8 ↙</p> <p>Series 90.0 Total 375.0</p>
---	--	---	--

<p><b>60 Shots</b></p> 	<p>41: *10.3 ↙ 42: 9.6 ↙ 43: *10.8 ↗ 44: 10.0 ↗ 45: 10.0 ↗ 46: *10.3 ← 47: 9.9 ↖ 48: 9.9 ↗ 49: *10.5 ↗ 50: *10.3 ↗</p> <p>Series 97.0 Total 472.0</p>	<p><b>60 Shots</b></p> 	<p>51: 9.5 ↙ 52: 9.9 ↗ 53: *10.6 ↙ 54: *10.4 ↙ 55: *10.3 ↙ 56: *10.7 ↙ 57: *10.6 ← 58: *10.6 ↗ 59: 9.7 ↖ 60: *10.2 ↗</p> <p>Series 97.0 Total 569.0</p>
---	---	---	---

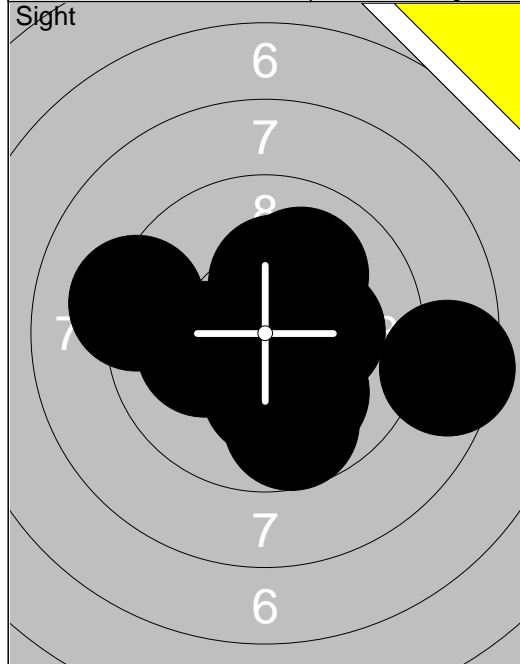
	<table border="1" style="width:100%; border-collapse: collapse;"> <tr><td>1:</td><td>*10.3</td><td>↓</td></tr> <tr><td>2:</td><td>9.3</td><td>↖</td></tr> <tr><td>3:</td><td>8.2</td><td>→</td></tr> <tr><td>4:</td><td>9.1</td><td>↘</td></tr> <tr><td>5:</td><td>9.6</td><td>↗</td></tr> <tr><td>6:</td><td>9.2</td><td>↓</td></tr> <tr><td>7:</td><td>*10.5</td><td>←</td></tr> <tr><td>8:</td><td>8.8</td><td>→</td></tr> <tr><td>9:</td><td>7.8</td><td>↘</td></tr> <tr><td>10:</td><td>9.4</td><td>↑</td></tr> <tr><td colspan="2"><b>Series</b></td><td><b>88.0</b></td></tr> <tr><td colspan="2"><b>Total</b></td><td><b>0.0</b></td></tr> </table>	1:	*10.3	↓	2:	9.3	↖	3:	8.2	→	4:	9.1	↘	5:	9.6	↗	6:	9.2	↓	7:	*10.5	←	8:	8.8	→	9:	7.8	↘	10:	9.4	↑	<b>Series</b>		<b>88.0</b>	<b>Total</b>		<b>0.0</b>		<table border="1" style="width:100%; border-collapse: collapse;"> <tr><td>11:</td><td>9.5</td><td>←</td></tr> <tr><td>12:</td><td>9.7</td><td>←</td></tr> <tr><td>13:</td><td>9.5</td><td>↗</td></tr> <tr><td>14:</td><td>*10.4</td><td>→</td></tr> <tr><td>15:</td><td>8.7</td><td>↘</td></tr> <tr><td>16:</td><td>8.5</td><td>↘</td></tr> <tr><td>17:</td><td>9.2</td><td>↖</td></tr> <tr><td>18:</td><td>*10.3</td><td>↑</td></tr> <tr><td colspan="2"><b>Series</b></td><td><b>72.0</b></td></tr> <tr><td colspan="2"><b>Total</b></td><td><b>0.0</b></td></tr> </table>	11:	9.5	←	12:	9.7	←	13:	9.5	↗	14:	*10.4	→	15:	8.7	↘	16:	8.5	↘	17:	9.2	↖	18:	*10.3	↑	<b>Series</b>		<b>72.0</b>	<b>Total</b>		<b>0.0</b>
1:	*10.3	↓																																																																			
2:	9.3	↖																																																																			
3:	8.2	→																																																																			
4:	9.1	↘																																																																			
5:	9.6	↗																																																																			
6:	9.2	↓																																																																			
7:	*10.5	←																																																																			
8:	8.8	→																																																																			
9:	7.8	↘																																																																			
10:	9.4	↑																																																																			
<b>Series</b>		<b>88.0</b>																																																																			
<b>Total</b>		<b>0.0</b>																																																																			
11:	9.5	←																																																																			
12:	9.7	←																																																																			
13:	9.5	↗																																																																			
14:	*10.4	→																																																																			
15:	8.7	↘																																																																			
16:	8.5	↘																																																																			
17:	9.2	↖																																																																			
18:	*10.3	↑																																																																			
<b>Series</b>		<b>72.0</b>																																																																			
<b>Total</b>		<b>0.0</b>																																																																			

	<table border="1" style="width:100%; border-collapse: collapse;"> <tr><td>1:</td><td>9.1</td><td>↑</td></tr> <tr><td>2:</td><td>9.3</td><td>→</td></tr> <tr><td>3:</td><td>9.6</td><td>→</td></tr> <tr><td>4:</td><td>10.1</td><td>↑</td></tr> <tr><td>5:</td><td>10.0</td><td>↑</td></tr> <tr><td>6:</td><td>*10.3</td><td>→</td></tr> <tr><td>7:</td><td>8.7</td><td>→</td></tr> <tr><td>8:</td><td>9.4</td><td>↗</td></tr> <tr><td>9:</td><td>*10.2</td><td>↘</td></tr> <tr><td>10:</td><td>10.1</td><td>←</td></tr> <tr><td colspan="2"><b>Series</b></td><td><b>94.0</b></td></tr> <tr><td colspan="2"><b>Total</b></td><td><b>94.0</b></td></tr> </table>	1:	9.1	↑	2:	9.3	→	3:	9.6	→	4:	10.1	↑	5:	10.0	↑	6:	*10.3	→	7:	8.7	→	8:	9.4	↗	9:	*10.2	↘	10:	10.1	←	<b>Series</b>		<b>94.0</b>	<b>Total</b>		<b>94.0</b>		<table border="1" style="width:100%; border-collapse: collapse;"> <tr><td>11:</td><td>8.7</td><td>↑</td></tr> <tr><td>12:</td><td>9.2</td><td>←</td></tr> <tr><td>13:</td><td>7.8</td><td>↖</td></tr> <tr><td>14:</td><td>*10.2</td><td>→</td></tr> <tr><td>15:</td><td>9.5</td><td>→</td></tr> <tr><td>16:</td><td>*10.8</td><td>↘</td></tr> <tr><td>17:</td><td>9.4</td><td>↗</td></tr> <tr><td>18:</td><td>*10.3</td><td>←</td></tr> <tr><td>19:</td><td>9.9</td><td>→</td></tr> <tr><td>20:</td><td>*10.9</td><td>→</td></tr> <tr><td colspan="2"><b>Series</b></td><td><b>91.0</b></td></tr> <tr><td colspan="2"><b>Total</b></td><td><b>185.0</b></td></tr> </table>	11:	8.7	↑	12:	9.2	←	13:	7.8	↖	14:	*10.2	→	15:	9.5	→	16:	*10.8	↘	17:	9.4	↗	18:	*10.3	←	19:	9.9	→	20:	*10.9	→	<b>Series</b>		<b>91.0</b>	<b>Total</b>		<b>185.0</b>
1:	9.1	↑																																																																									
2:	9.3	→																																																																									
3:	9.6	→																																																																									
4:	10.1	↑																																																																									
5:	10.0	↑																																																																									
6:	*10.3	→																																																																									
7:	8.7	→																																																																									
8:	9.4	↗																																																																									
9:	*10.2	↘																																																																									
10:	10.1	←																																																																									
<b>Series</b>		<b>94.0</b>																																																																									
<b>Total</b>		<b>94.0</b>																																																																									
11:	8.7	↑																																																																									
12:	9.2	←																																																																									
13:	7.8	↖																																																																									
14:	*10.2	→																																																																									
15:	9.5	→																																																																									
16:	*10.8	↘																																																																									
17:	9.4	↗																																																																									
18:	*10.3	←																																																																									
19:	9.9	→																																																																									
20:	*10.9	→																																																																									
<b>Series</b>		<b>91.0</b>																																																																									
<b>Total</b>		<b>185.0</b>																																																																									

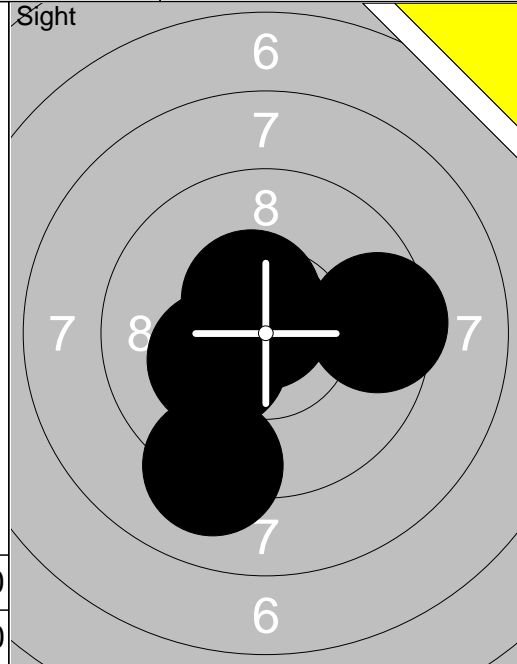
	<table border="1" style="width:100%; border-collapse: collapse;"> <tr><td>21:</td><td>*10.2</td><td>↗</td></tr> <tr><td>22:</td><td>7.1</td><td>↗</td></tr> <tr><td>23:</td><td>9.6</td><td>←</td></tr> <tr><td>24:</td><td>*10.2</td><td>→</td></tr> <tr><td>25:</td><td>8.3</td><td>↑</td></tr> <tr><td>26:</td><td>*10.4</td><td>↑</td></tr> <tr><td>27:</td><td>*10.3</td><td>→</td></tr> <tr><td>28:</td><td>8.8</td><td>↗</td></tr> <tr><td>29:</td><td>9.2</td><td>→</td></tr> <tr><td>30:</td><td>9.7</td><td>↑</td></tr> <tr><td colspan="2"><b>Series</b></td><td><b>90.0</b></td></tr> <tr><td colspan="2"><b>Total</b></td><td><b>275.0</b></td></tr> </table>	21:	*10.2	↗	22:	7.1	↗	23:	9.6	←	24:	*10.2	→	25:	8.3	↑	26:	*10.4	↑	27:	*10.3	→	28:	8.8	↗	29:	9.2	→	30:	9.7	↑	<b>Series</b>		<b>90.0</b>	<b>Total</b>		<b>275.0</b>		<table border="1" style="width:100%; border-collapse: collapse;"> <tr><td>31:</td><td>8.4</td><td>↗</td></tr> <tr><td>32:</td><td>8.7</td><td>↗</td></tr> <tr><td>33:</td><td>*10.6</td><td>↘</td></tr> <tr><td>34:</td><td>7.7</td><td>↘</td></tr> <tr><td>35:</td><td>6.9</td><td>↖</td></tr> <tr><td>36:</td><td>9.9</td><td>↗</td></tr> <tr><td>37:</td><td>9.4</td><td>↑</td></tr> <tr><td>38:</td><td>*10.4</td><td>↗</td></tr> <tr><td>39:</td><td>*10.8</td><td>↗</td></tr> <tr><td>40:</td><td>8.7</td><td>↖</td></tr> <tr><td colspan="2"><b>Series</b></td><td><b>85.0</b></td></tr> <tr><td colspan="2"><b>Total</b></td><td><b>360.0</b></td></tr> </table>	31:	8.4	↗	32:	8.7	↗	33:	*10.6	↘	34:	7.7	↘	35:	6.9	↖	36:	9.9	↗	37:	9.4	↑	38:	*10.4	↗	39:	*10.8	↗	40:	8.7	↖	<b>Series</b>		<b>85.0</b>	<b>Total</b>		<b>360.0</b>
21:	*10.2	↗																																																																									
22:	7.1	↗																																																																									
23:	9.6	←																																																																									
24:	*10.2	→																																																																									
25:	8.3	↑																																																																									
26:	*10.4	↑																																																																									
27:	*10.3	→																																																																									
28:	8.8	↗																																																																									
29:	9.2	→																																																																									
30:	9.7	↑																																																																									
<b>Series</b>		<b>90.0</b>																																																																									
<b>Total</b>		<b>275.0</b>																																																																									
31:	8.4	↗																																																																									
32:	8.7	↗																																																																									
33:	*10.6	↘																																																																									
34:	7.7	↘																																																																									
35:	6.9	↖																																																																									
36:	9.9	↗																																																																									
37:	9.4	↑																																																																									
38:	*10.4	↗																																																																									
39:	*10.8	↗																																																																									
40:	8.7	↖																																																																									
<b>Series</b>		<b>85.0</b>																																																																									
<b>Total</b>		<b>360.0</b>																																																																									

	<table border="1" style="width:100%; border-collapse: collapse;"> <tr><td>41:</td><td>9.3</td><td>→</td></tr> <tr><td>42:</td><td>8.5</td><td>→</td></tr> <tr><td>43:</td><td>9.5</td><td>↗</td></tr> <tr><td>44:</td><td>9.2</td><td>↗</td></tr> <tr><td>45:</td><td>9.8</td><td>→</td></tr> <tr><td>46:</td><td>8.2</td><td>←</td></tr> <tr><td>47:</td><td>9.8</td><td>→</td></tr> <tr><td>48:</td><td>9.4</td><td>→</td></tr> <tr><td>49:</td><td>*10.7</td><td>←</td></tr> <tr><td>50:</td><td>8.2</td><td>↑</td></tr> <tr><td colspan="2"><b>Series</b></td><td><b>88.0</b></td></tr> <tr><td colspan="2"><b>Total</b></td><td><b>448.0</b></td></tr> </table>	41:	9.3	→	42:	8.5	→	43:	9.5	↗	44:	9.2	↗	45:	9.8	→	46:	8.2	←	47:	9.8	→	48:	9.4	→	49:	*10.7	←	50:	8.2	↑	<b>Series</b>		<b>88.0</b>	<b>Total</b>		<b>448.0</b>		<table border="1" style="width:100%; border-collapse: collapse;"> <tr><td>51:</td><td>9.1</td><td>↖</td></tr> <tr><td>52:</td><td>*10.6</td><td>←</td></tr> <tr><td>53:</td><td>9.1</td><td>↘</td></tr> <tr><td>54:</td><td>8.4</td><td>↘</td></tr> <tr><td>55:</td><td>6.6</td><td>↘</td></tr> <tr><td>56:</td><td>9.9</td><td>↘</td></tr> <tr><td>57:</td><td>10.0</td><td>↘</td></tr> <tr><td>58:</td><td>9.9</td><td>←</td></tr> <tr><td>59:</td><td>*10.2</td><td>↘</td></tr> <tr><td>60:</td><td>9.2</td><td>→</td></tr> <tr><td colspan="2"><b>Series</b></td><td><b>89.0</b></td></tr> <tr><td colspan="2"><b>Total</b></td><td><b>537.0</b></td></tr> </table>	51:	9.1	↖	52:	*10.6	←	53:	9.1	↘	54:	8.4	↘	55:	6.6	↘	56:	9.9	↘	57:	10.0	↘	58:	9.9	←	59:	*10.2	↘	60:	9.2	→	<b>Series</b>		<b>89.0</b>	<b>Total</b>		<b>537.0</b>
41:	9.3	→																																																																									
42:	8.5	→																																																																									
43:	9.5	↗																																																																									
44:	9.2	↗																																																																									
45:	9.8	→																																																																									
46:	8.2	←																																																																									
47:	9.8	→																																																																									
48:	9.4	→																																																																									
49:	*10.7	←																																																																									
50:	8.2	↑																																																																									
<b>Series</b>		<b>88.0</b>																																																																									
<b>Total</b>		<b>448.0</b>																																																																									
51:	9.1	↖																																																																									
52:	*10.6	←																																																																									
53:	9.1	↘																																																																									
54:	8.4	↘																																																																									
55:	6.6	↘																																																																									
56:	9.9	↘																																																																									
57:	10.0	↘																																																																									
58:	9.9	←																																																																									
59:	*10.2	↘																																																																									
60:	9.2	→																																																																									
<b>Series</b>		<b>89.0</b>																																																																									
<b>Total</b>		<b>537.0</b>																																																																									

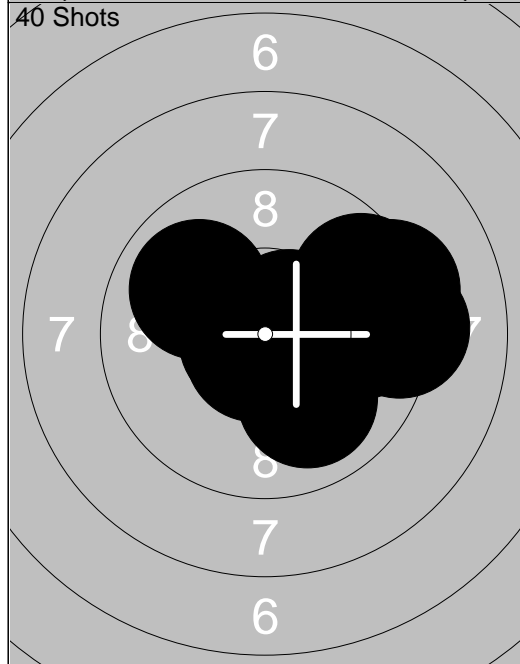




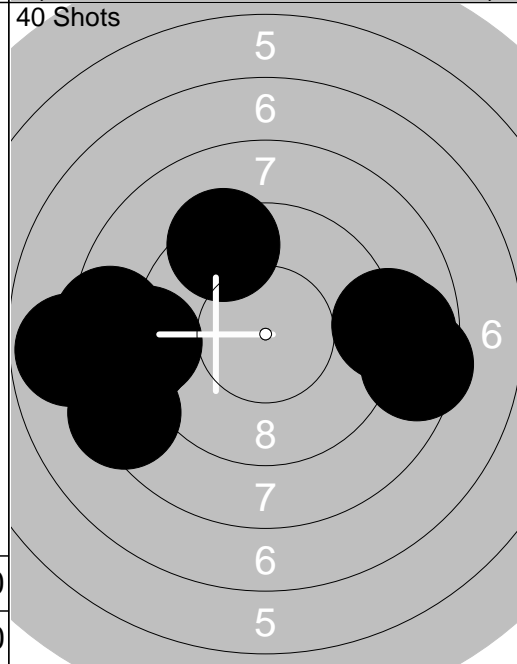
1: *10.3	↗
2: 10.0	↘
3: *10.3	→
4: 8.5	→
5: 9.7	↘
6: *10.2	↘
7: 9.2	←
8: *10.4	→
9: 10.1	←
10: 10.1	↗
<b>Series</b>	<b>96.0</b>
<b>Total</b>	<b>0.0</b>



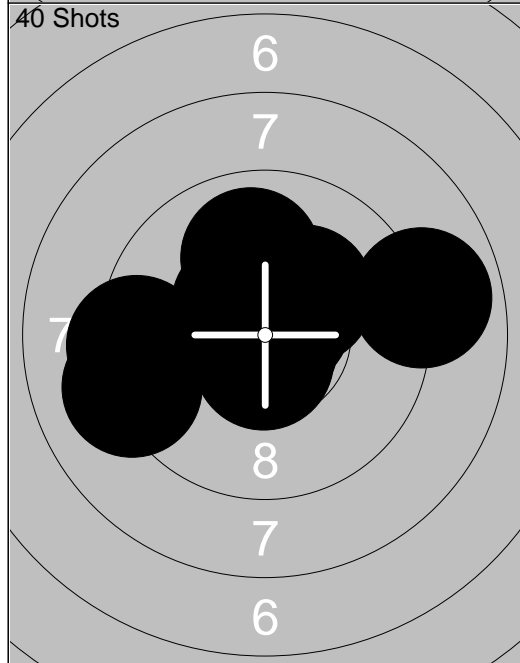
11: 9.5	→
12: *10.2	↘
13: *10.8	↗
14: 9.1	↘
15: *10.5	↗
<b>Series</b>	<b>48.0</b>
<b>Total</b>	<b>0.0</b>



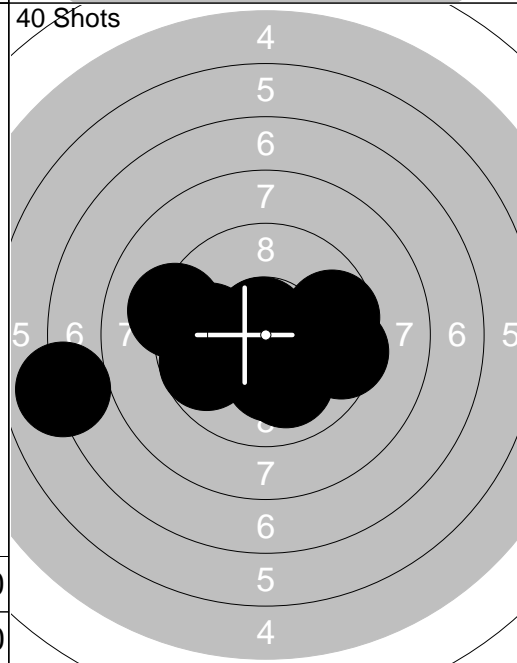
1: 9.3	→
2: 9.7	→
3: *10.7	↘
4: 9.9	↖
5: *10.8	↘
6: *10.6	↗
7: 10.0	↘
8: 9.2	→
9: 9.6	↗
10: *10.7	↘
<b>Series</b>	<b>95.0</b>
<b>Total</b>	<b>95.0</b>



11: 7.8	←
12: 8.4	↖
13: 8.9	←
14: 9.4	↗
15: 9.0	←
16: 9.0	→
17: 8.5	→
18: 8.8	→
19: 8.5	←
20: 8.7	←
<b>Series</b>	<b>82.0</b>
<b>Total</b>	<b>177.0</b>

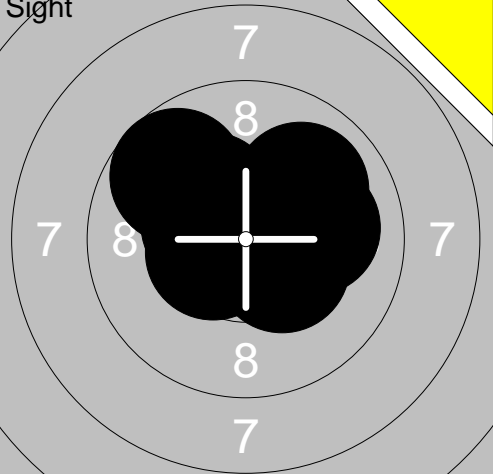
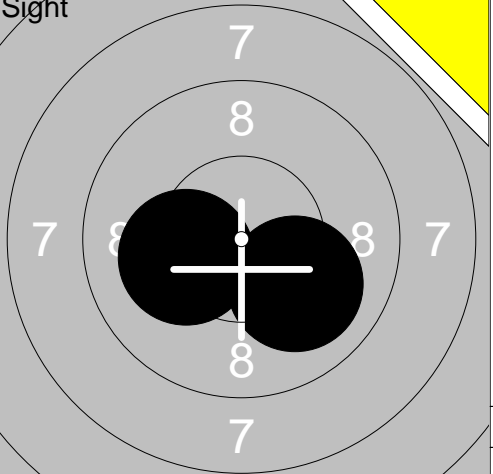




21: 9.1	←
22: 8.9	→
23: *10.5	↘
24: *10.7	↗
25: *10.2	↗
26: *10.8	↘
27: *10.6	↘
28: 9.3	←
29: 10.0	↑
30: *10.4	↗
<b>Series</b>	<b>96.0</b>
<b>Total</b>	<b>273.0</b>





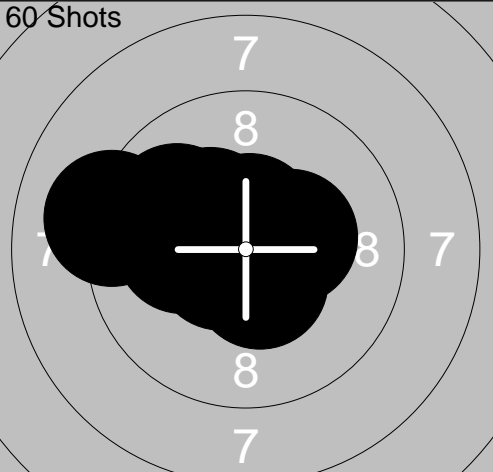
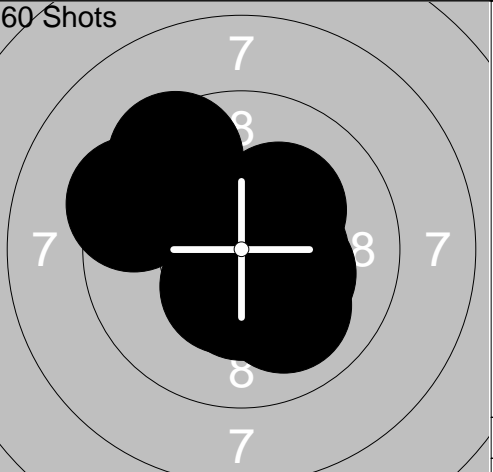
31: 10.0	↘
32: 9.2	←
33: 9.7	→
34: 9.5	→
35: *10.7	↗
36: 9.9	←
37: 7.0	←
38: 9.7	←
39: *10.2	↘
40: *10.3	↘
<b>Series</b>	<b>92.0</b>
<b>Total</b>	<b>365.0</b>

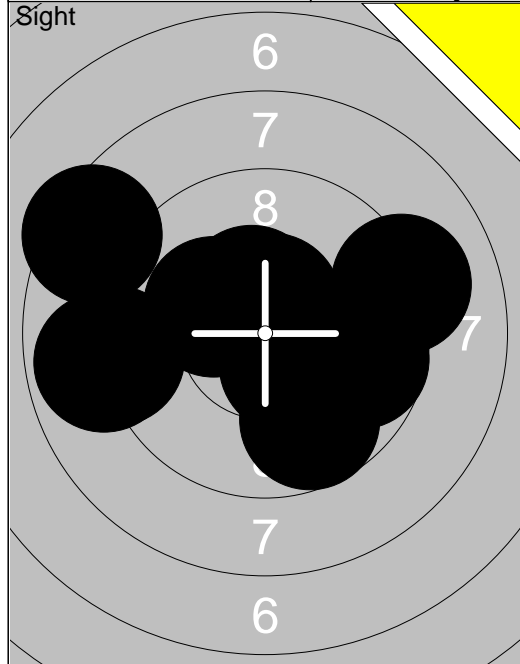


Sight 	1: 9.7 ↗	Sight 	11: 10.0 ↘
	2: 10.1 ↗		12: *10.2 ←
	3: 10.0 ↗		
4: *10.4 ←			
5: *10.2 ↗			
6: *10.7 ↘			
7: *10.4 ↘			
8: 10.1 →			
9: *10.5 ←			
10: *10.7 ↑			
Series 99.0		Series 20.0	
Total 0.0		Total 0.0	

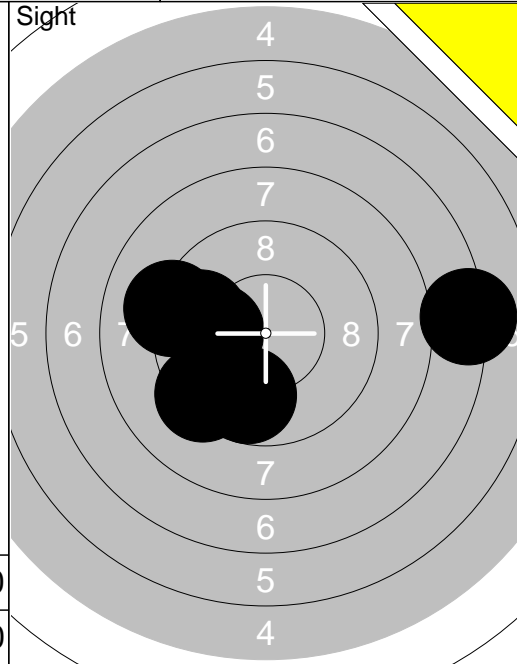
60 Shots 	1: *10.7 →	60 Shots 	11: *10.6 ↑
	2: *10.6 ↑		12: 9.7 ↗
	3: *10.3 →		13: 9.3 ←
4: *10.7 ←		14: *10.5 ↓	
5: 9.2 →		15: *10.3 ↗	
6: *10.2 ↑		16: *10.3 →	
7: 9.9 →		17: 9.8 ←	
8: 9.8 ↗		18: *10.7 →	
9: 10.0 ↗		19: *10.7 ↓	
10: 10.0 ←		20: *10.4 ↑	
Series 97.0		Series 97.0	
Total 97.0		Total 194.0	

60 Shots 	21: *10.5 ↑	60 Shots 	31: *10.8 ↘
	22: *10.6 ↗		32: *10.5 ←
	23: *10.5 ↗		33: *10.6 ↘
24: *10.6 ↑		34: *10.3 →	
25: *10.3 →		35: *10.6 ↓	
26: 9.9 ↗		36: 9.8 ↑	
27: 10.1 ↗		37: *10.6 ↗	
28: *10.7 ↑		38: *10.3 ↗	
29: *10.5 ↘		39: *10.6 →	
30: 9.5 ←		40: *10.5 ↗	
Series 98.0		Series 99.0	
Total 292.0		Total 391.0	

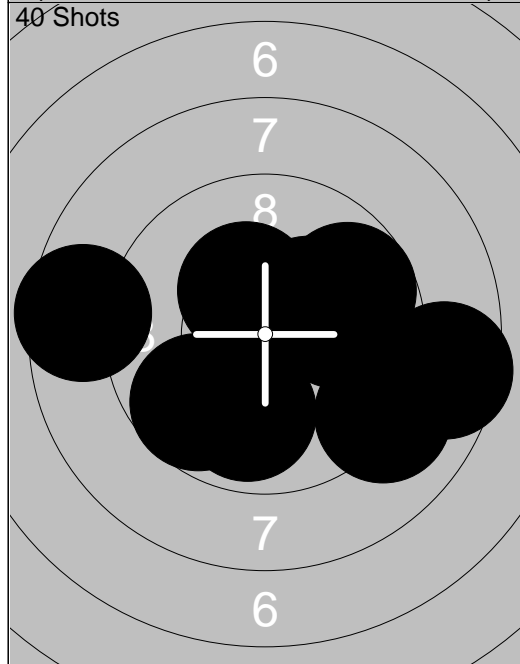
60 Shots 	41: 10.1 ←	60 Shots 	51: 9.5 ↗
	42: 9.1 ←		52: *10.2 ↗
	43: 9.9 ↗		53: *10.4 →
44: *10.6 ↑		54: *10.4 ↓	
45: *10.3 ↗		55: *10.6 ↑	
46: *10.6 ←		56: 9.4 ↗	
47: *10.3 ↗		57: *10.8 ↗	
48: *10.3 →		58: *10.3 ↘	
49: *10.8 →		59: *10.4 ↓	
50: *10.5 ↓		60: 10.0 ↘	
Series 98.0		Series 98.0	
Total 489.0		Total 587.0	



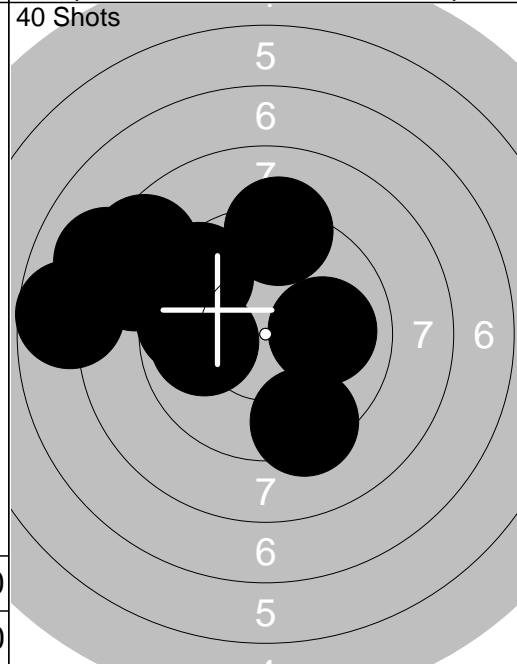
1: *10.2 ↘
2: 9.7 →
3: 8.4 ↙
4: 9.1 →
5: 9.7 ↓
6: *10.5 ↘
7: 8.9 ←
8: *10.4 ↗
9: *10.6 ↗
10: 9.0 ←
Series 92.0
Total 0.0



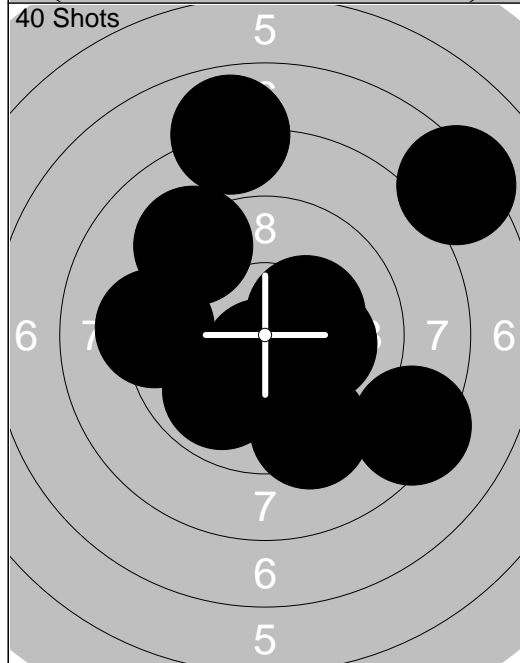
11: 9.3 ↙
12: 9.1 ←
13: 7.2 →
14: 9.7 ↓
15: 10.0 ←
16: 9.7 ←
Series 53.0
Total 0.0



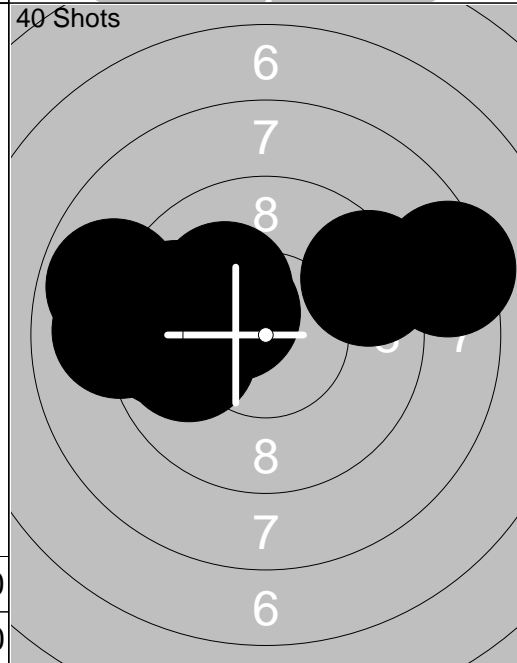
1: 10.0 →
2: *10.6 ↗
3: 9.7 ↙
4: 9.1 →
5: *10.3 ↗
6: 9.7 →
7: 9.9 ↓
8: 8.6 ←
9: *10.3 ↗
10: 8.6 →
Series 92.0
Total 92.0



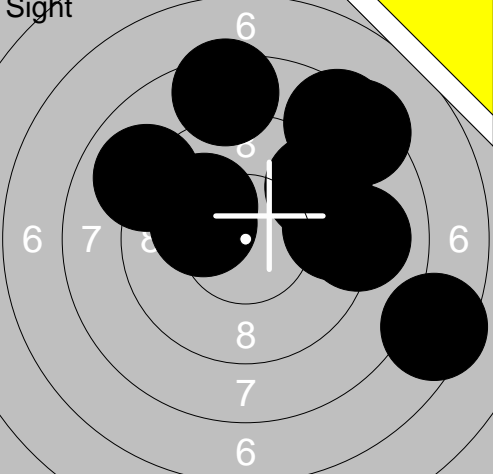

11: 8.1 ←
12: 9.4 ↓
13: 9.5 ↗
14: 8.6 ←
15: 9.9 ←
16: 9.7 ←
17: 7.7 ←
18: 8.5 ↙
19: 9.2 ↑
20: 10.0 →
Series 86.0
Total 178.0

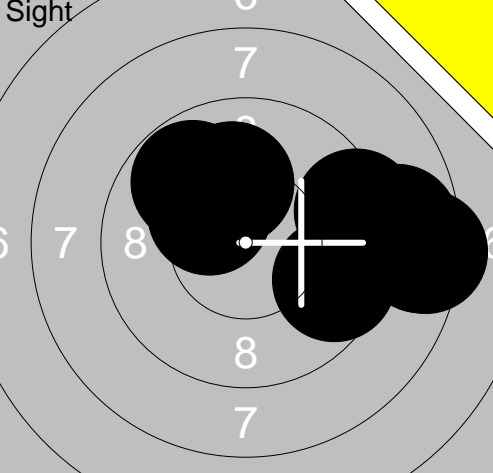
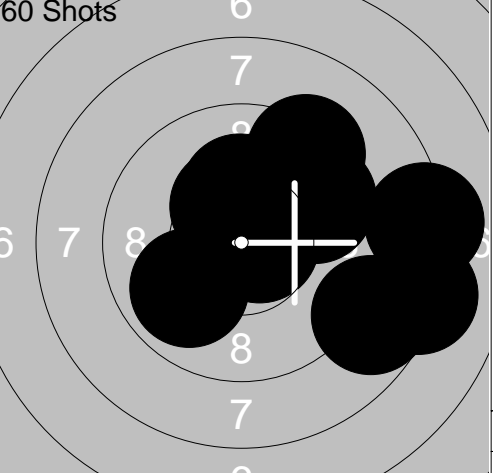


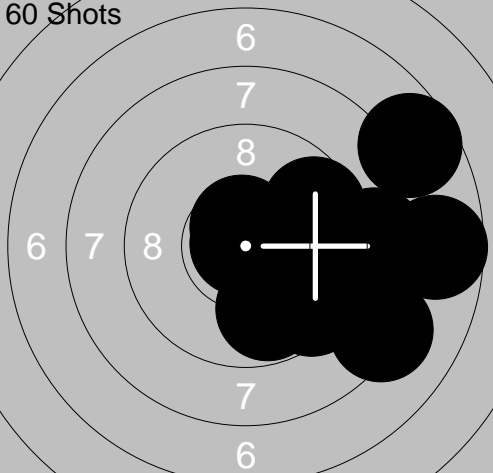
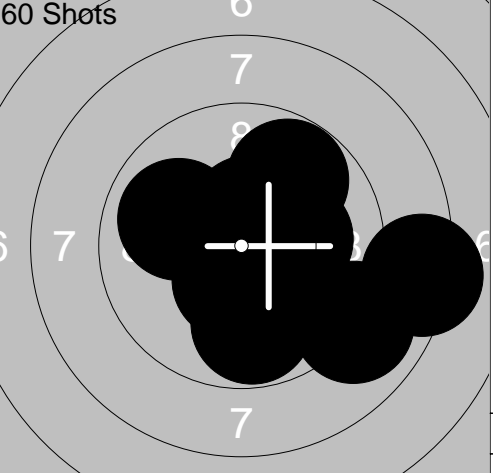
21: 9.2 ↙
22: 9.9 ↙
23: 9.3 ←
24: 9.4 ↓
25: *10.3 ↗
26: *10.6 ↓
27: 10.1 →
28: 8.4 →
29: 7.9 ↑
30: 7.3 ↗
Series 88.0
Total 266.0

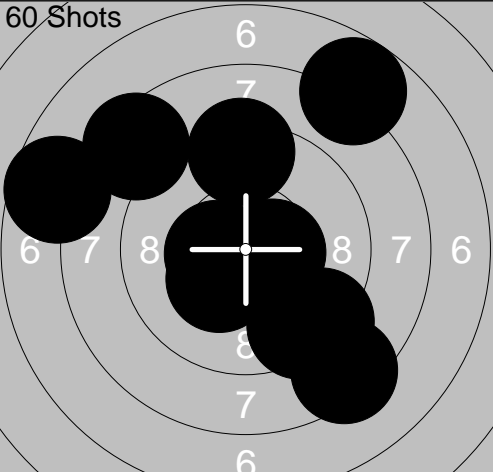


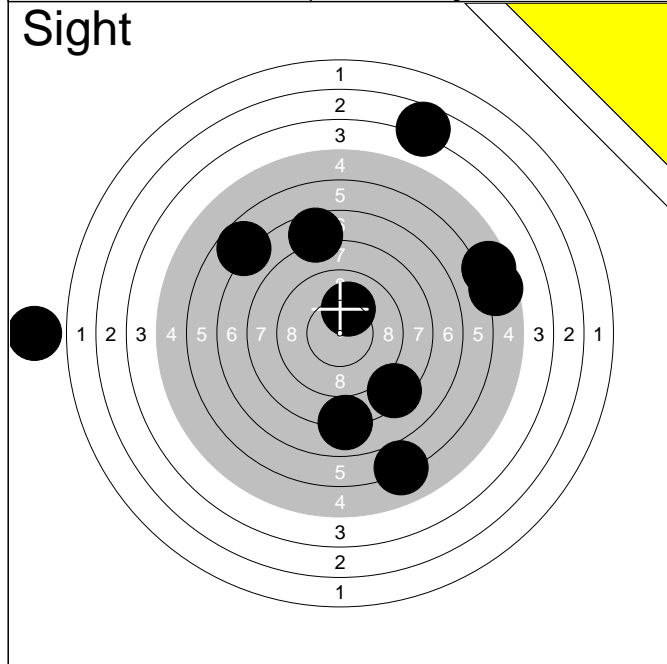
31: 9.9 ←
32: 9.0 ←
33: 9.7 ←
34: 9.4 ↗
35: 10.1 ↙
36: 8.8 ←
37: 9.7 ←
38: 8.4 →
39: 10.0 ←
40: *10.4 ↙
Series 91.0
Total 357.0

	<table border="1" style="width:100%; border-collapse: collapse;"> <tr><td>1:</td><td>8.5</td><td>↗</td></tr> <tr><td>2:</td><td>8.5</td><td>↑</td></tr> <tr><td>3:</td><td>9.4</td><td>→</td></tr> <tr><td>4:</td><td>9.1</td><td>→</td></tr> <tr><td>5:</td><td>9.0</td><td>↗</td></tr> <tr><td>6:</td><td>*10.2</td><td>←</td></tr> <tr><td>7:</td><td>8.3</td><td>↗</td></tr> <tr><td>8:</td><td>9.4</td><td>↗</td></tr> <tr><td>9:</td><td>10.1</td><td>↗</td></tr> <tr><td>10:</td><td>7.4</td><td>↘</td></tr> <tr><td colspan="2"><b>Series</b></td><td style="text-align: right;"><b>87.0</b></td></tr> <tr><td colspan="2"><b>Total</b></td><td style="text-align: right;"><b>0.0</b></td></tr> </table>	1:	8.5	↗	2:	8.5	↑	3:	9.4	→	4:	9.1	→	5:	9.0	↗	6:	*10.2	←	7:	8.3	↗	8:	9.4	↗	9:	10.1	↗	10:	7.4	↘	<b>Series</b>		<b>87.0</b>	<b>Total</b>		<b>0.0</b>		<table border="1" style="width:100%; border-collapse: collapse;"> <tr><td>11:</td><td>9.9</td><td>↓</td></tr> <tr><td>12:</td><td>9.4</td><td>←</td></tr> <tr><td>13:</td><td>9.5</td><td>→</td></tr> <tr><td>14:</td><td>8.7</td><td>↑</td></tr> <tr><td>15:</td><td>*10.2</td><td>↗</td></tr> <tr><td>16:</td><td>10.1</td><td>←</td></tr> <tr><td>17:</td><td>7.0</td><td>→</td></tr> <tr><td>18:</td><td>10.0</td><td>→</td></tr> <tr><td>19:</td><td>9.8</td><td>←</td></tr> <tr><td>20:</td><td>*10.4</td><td>↗</td></tr> <tr><td colspan="2"><b>Series</b></td><td style="text-align: right;"><b>91.0</b></td></tr> <tr><td colspan="2"><b>Total</b></td><td style="text-align: right;"><b>0.0</b></td></tr> </table>	11:	9.9	↓	12:	9.4	←	13:	9.5	→	14:	8.7	↑	15:	*10.2	↗	16:	10.1	←	17:	7.0	→	18:	10.0	→	19:	9.8	←	20:	*10.4	↗	<b>Series</b>		<b>91.0</b>	<b>Total</b>		<b>0.0</b>
1:	8.5	↗																																																																									
2:	8.5	↑																																																																									
3:	9.4	→																																																																									
4:	9.1	→																																																																									
5:	9.0	↗																																																																									
6:	*10.2	←																																																																									
7:	8.3	↗																																																																									
8:	9.4	↗																																																																									
9:	10.1	↗																																																																									
10:	7.4	↘																																																																									
<b>Series</b>		<b>87.0</b>																																																																									
<b>Total</b>		<b>0.0</b>																																																																									
11:	9.9	↓																																																																									
12:	9.4	←																																																																									
13:	9.5	→																																																																									
14:	8.7	↑																																																																									
15:	*10.2	↗																																																																									
16:	10.1	←																																																																									
17:	7.0	→																																																																									
18:	10.0	→																																																																									
19:	9.8	←																																																																									
20:	*10.4	↗																																																																									
<b>Series</b>		<b>91.0</b>																																																																									
<b>Total</b>		<b>0.0</b>																																																																									

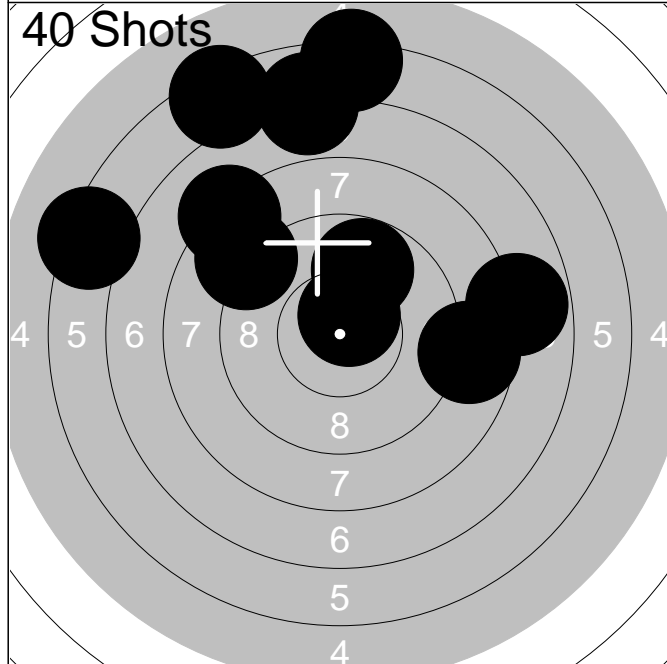
	<table border="1" style="width:100%; border-collapse: collapse;"> <tr><td>21:</td><td>*10.3</td><td>↖</td></tr> <tr><td>22:</td><td>8.7</td><td>→</td></tr> <tr><td>23:</td><td>9.3</td><td>→</td></tr> <tr><td>24:</td><td>10.1</td><td>↑</td></tr> <tr><td>25:</td><td>9.8</td><td>↗</td></tr> <tr><td>26:</td><td>9.6</td><td>↘</td></tr> <tr><td>27:</td><td>8.4</td><td>→</td></tr> <tr><td>28:</td><td>8.3</td><td>→</td></tr> <tr><td colspan="2"><b>Series</b></td><td style="text-align: right;"><b>71.0</b></td></tr> <tr><td colspan="2"><b>Total</b></td><td style="text-align: right;"><b>0.0</b></td></tr> </table>	21:	*10.3	↖	22:	8.7	→	23:	9.3	→	24:	10.1	↑	25:	9.8	↗	26:	9.6	↘	27:	8.4	→	28:	8.3	→	<b>Series</b>		<b>71.0</b>	<b>Total</b>		<b>0.0</b>		<table border="1" style="width:100%; border-collapse: collapse;"> <tr><td>1:</td><td>9.3</td><td>↗</td></tr> <tr><td>2:</td><td>*10.7</td><td>→</td></tr> <tr><td>3:</td><td>*10.2</td><td>↑</td></tr> <tr><td>4:</td><td>8.2</td><td>→</td></tr> <tr><td>5:</td><td>8.2</td><td>→</td></tr> <tr><td>6:</td><td>9.7</td><td>↗</td></tr> <tr><td>7:</td><td>9.6</td><td>↗</td></tr> <tr><td>8:</td><td>9.9</td><td>↙</td></tr> <tr><td>9:</td><td>*10.4</td><td>↑</td></tr> <tr><td>10:</td><td>8.7</td><td>↘</td></tr> <tr><td colspan="2"><b>Series</b></td><td style="text-align: right;"><b>90.0</b></td></tr> <tr><td colspan="2"><b>Total</b></td><td style="text-align: right;"><b>90.0</b></td></tr> </table>	1:	9.3	↗	2:	*10.7	→	3:	*10.2	↑	4:	8.2	→	5:	8.2	→	6:	9.7	↗	7:	9.6	↗	8:	9.9	↙	9:	*10.4	↑	10:	8.7	↘	<b>Series</b>		<b>90.0</b>	<b>Total</b>		<b>90.0</b>
21:	*10.3	↖																																																																			
22:	8.7	→																																																																			
23:	9.3	→																																																																			
24:	10.1	↑																																																																			
25:	9.8	↗																																																																			
26:	9.6	↘																																																																			
27:	8.4	→																																																																			
28:	8.3	→																																																																			
<b>Series</b>		<b>71.0</b>																																																																			
<b>Total</b>		<b>0.0</b>																																																																			
1:	9.3	↗																																																																			
2:	*10.7	→																																																																			
3:	*10.2	↑																																																																			
4:	8.2	→																																																																			
5:	8.2	→																																																																			
6:	9.7	↗																																																																			
7:	9.6	↗																																																																			
8:	9.9	↙																																																																			
9:	*10.4	↑																																																																			
10:	8.7	↘																																																																			
<b>Series</b>		<b>90.0</b>																																																																			
<b>Total</b>		<b>90.0</b>																																																																			

	<table border="1" style="width:100%; border-collapse: collapse;"> <tr><td>11:</td><td>9.8</td><td>↓</td></tr> <tr><td>12:</td><td>*10.6</td><td>↑</td></tr> <tr><td>13:</td><td>*10.9</td><td>↗</td></tr> <tr><td>14:</td><td>7.6</td><td>↗</td></tr> <tr><td>15:</td><td>9.0</td><td>→</td></tr> <tr><td>16:</td><td>8.7</td><td>→</td></tr> <tr><td>17:</td><td>8.2</td><td>↘</td></tr> <tr><td>18:</td><td>9.4</td><td>↘</td></tr> <tr><td>19:</td><td>9.6</td><td>↗</td></tr> <tr><td>20:</td><td>7.7</td><td>→</td></tr> <tr><td colspan="2"><b>Series</b></td><td style="text-align: right;"><b>86.0</b></td></tr> <tr><td colspan="2"><b>Total</b></td><td style="text-align: right;"><b>176.0</b></td></tr> </table>	11:	9.8	↓	12:	*10.6	↑	13:	*10.9	↗	14:	7.6	↗	15:	9.0	→	16:	8.7	→	17:	8.2	↘	18:	9.4	↘	19:	9.6	↗	20:	7.7	→	<b>Series</b>		<b>86.0</b>	<b>Total</b>		<b>176.0</b>		<table border="1" style="width:100%; border-collapse: collapse;"> <tr><td>21:</td><td>*10.5</td><td>↑</td></tr> <tr><td>22:</td><td>9.8</td><td>↗</td></tr> <tr><td>23:</td><td>8.3</td><td>→</td></tr> <tr><td>24:</td><td>*10.4</td><td>↓</td></tr> <tr><td>25:</td><td>9.0</td><td>↘</td></tr> <tr><td>26:</td><td>*10.3</td><td>↓</td></tr> <tr><td>27:</td><td>*10.6</td><td>↓</td></tr> <tr><td>28:</td><td>*10.2</td><td>→</td></tr> <tr><td>29:</td><td>9.8</td><td>↓</td></tr> <tr><td>30:</td><td>9.9</td><td>←</td></tr> <tr><td colspan="2"><b>Series</b></td><td style="text-align: right;"><b>94.0</b></td></tr> <tr><td colspan="2"><b>Total</b></td><td style="text-align: right;"><b>270.0</b></td></tr> </table>	21:	*10.5	↑	22:	9.8	↗	23:	8.3	→	24:	*10.4	↓	25:	9.0	↘	26:	*10.3	↓	27:	*10.6	↓	28:	*10.2	→	29:	9.8	↓	30:	9.9	←	<b>Series</b>		<b>94.0</b>	<b>Total</b>		<b>270.0</b>
11:	9.8	↓																																																																									
12:	*10.6	↑																																																																									
13:	*10.9	↗																																																																									
14:	7.6	↗																																																																									
15:	9.0	→																																																																									
16:	8.7	→																																																																									
17:	8.2	↘																																																																									
18:	9.4	↘																																																																									
19:	9.6	↗																																																																									
20:	7.7	→																																																																									
<b>Series</b>		<b>86.0</b>																																																																									
<b>Total</b>		<b>176.0</b>																																																																									
21:	*10.5	↑																																																																									
22:	9.8	↗																																																																									
23:	8.3	→																																																																									
24:	*10.4	↓																																																																									
25:	9.0	↘																																																																									
26:	*10.3	↓																																																																									
27:	*10.6	↓																																																																									
28:	*10.2	→																																																																									
29:	9.8	↓																																																																									
30:	9.9	←																																																																									
<b>Series</b>		<b>94.0</b>																																																																									
<b>Total</b>		<b>270.0</b>																																																																									

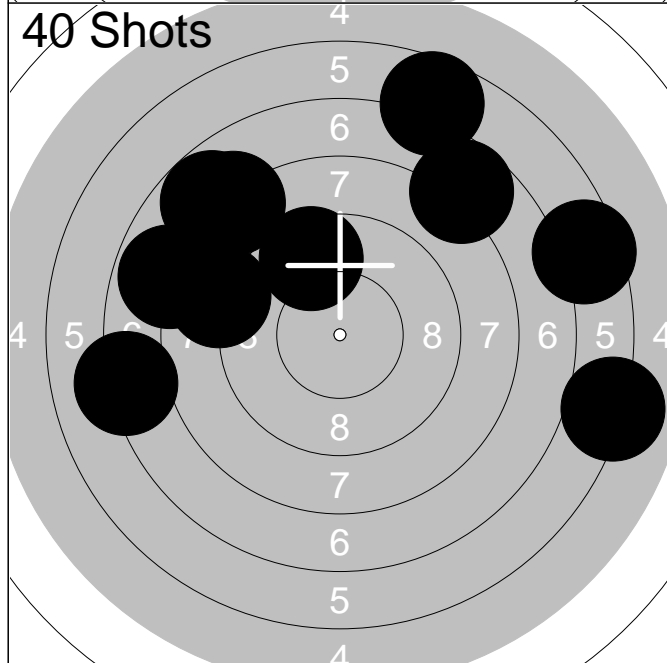
	<table border="1" style="width:100%; border-collapse: collapse;"> <tr><td>31:</td><td>9.2</td><td>↘</td></tr> <tr><td>32:</td><td>*10.5</td><td>←</td></tr> <tr><td>33:</td><td>*10.5</td><td>→</td></tr> <tr><td>34:</td><td>9.3</td><td>↑</td></tr> <tr><td>35:</td><td>7.6</td><td>←</td></tr> <tr><td>36:</td><td>9.4</td><td>↘</td></tr> <tr><td>37:</td><td>8.4</td><td>↗</td></tr> <tr><td>38:</td><td>8.3</td><td>↘</td></tr> <tr><td>39:</td><td>7.8</td><td>↗</td></tr> <tr><td>40:</td><td>*10.3</td><td>↙</td></tr> <tr><td colspan="2"><b>Series</b></td><td style="text-align: right;"><b>87.0</b></td></tr> <tr><td colspan="2"><b>Total</b></td><td style="text-align: right;"><b>357.0</b></td></tr> </table>	31:	9.2	↘	32:	*10.5	←	33:	*10.5	→	34:	9.3	↑	35:	7.6	←	36:	9.4	↘	37:	8.4	↗	38:	8.3	↘	39:	7.8	↗	40:	*10.3	↙	<b>Series</b>		<b>87.0</b>	<b>Total</b>		<b>357.0</b>		
31:	9.2	↘																																					
32:	*10.5	←																																					
33:	*10.5	→																																					
34:	9.3	↑																																					
35:	7.6	←																																					
36:	9.4	↘																																					
37:	8.4	↗																																					
38:	8.3	↘																																					
39:	7.8	↗																																					
40:	*10.3	↙																																					
<b>Series</b>		<b>87.0</b>																																					
<b>Total</b>		<b>357.0</b>																																					



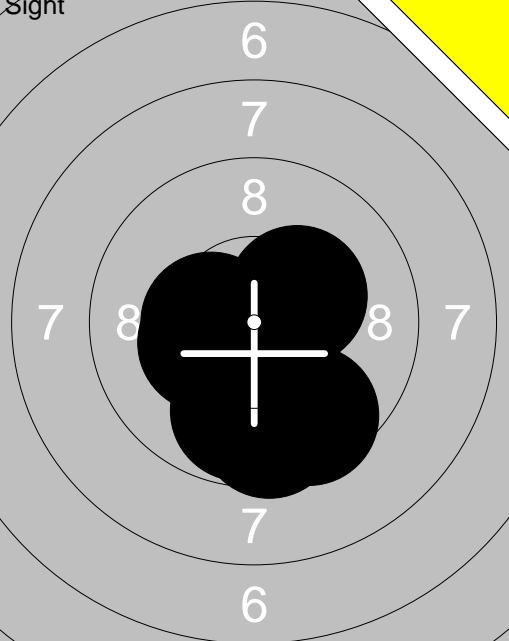
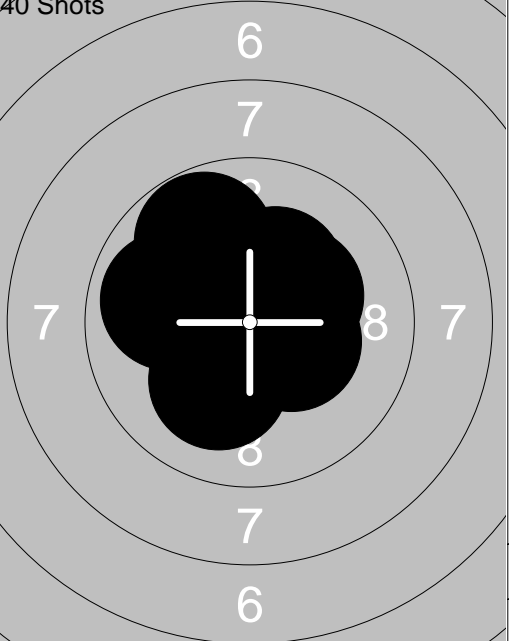
1:	0.0	←
2:	7.6	↑
3:	8.0	↓
4:	6.0	↓
5:	5.6	→
6:	3.6	↑
7:	5.5	→
8:	10.1	↑
9:	8.3	↓
10:	6.7	↑
<b>Series</b>	<b>58.0</b>	
<b>Total</b>	<b>0.0</b>	





1:	8.1	↑
2:	6.2	←
3:	8.7	→
4:	7.8	→
5:	8.8	↑
6:	6.9	↑
7:	6.2	↑
8:	6.3	↑
9:	9.8	↑
10:	*10.6	↑
<b>Series</b>	<b>74.0</b>	
<b>Total</b>	<b>74.0</b>	


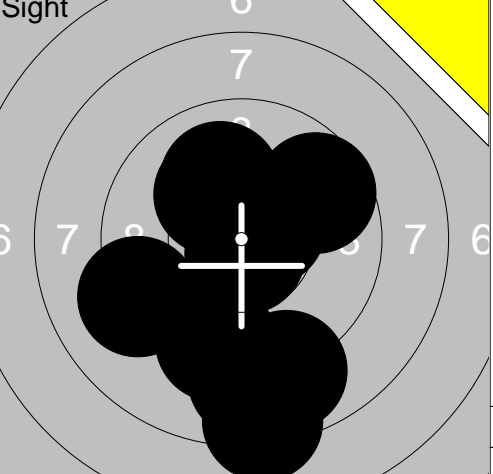


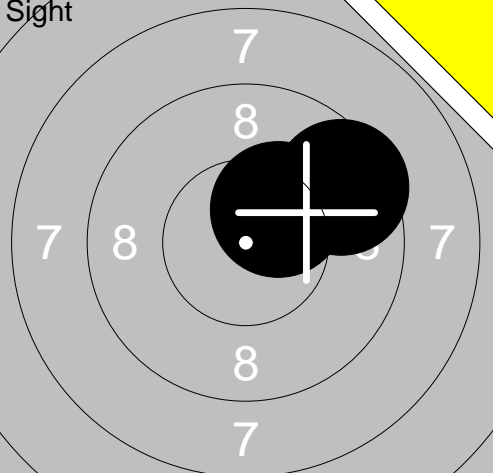

11:	6.6	↑
12:	8.0	↑
13:	7.8	←
14:	8.7	←
15:	9.5	↑
16:	7.7	↑
17:	7.8	↑
18:	7.1	←
19:	6.0	→
20:	6.5	→
<b>Series</b>	<b>71.0</b>	
<b>Total</b>	<b>145.0</b>	

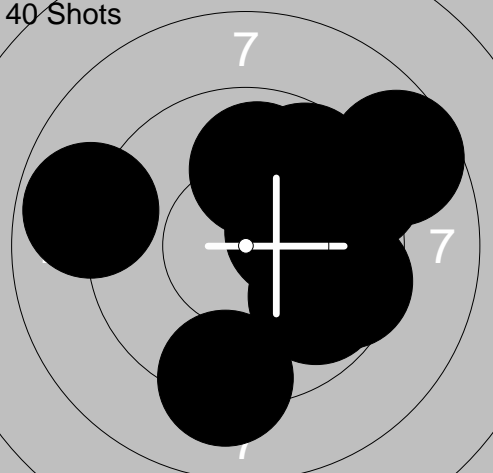
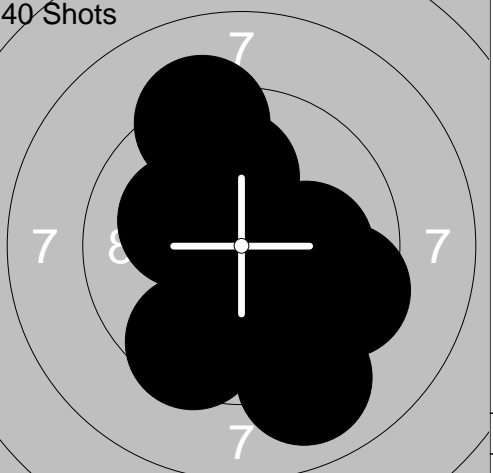
<p>Sight</p> 	<p>40 Shots</p> 	
<p>1: 10.1 ↓</p> <p>2: 9.6 ↓</p> <p>3: 9.6 ↓</p> <p>4: *10.4 ↓</p> <p>5: 9.8 ↓</p> <p>6: *10.4 ←</p> <p>7: *10.3 ↘</p> <p>8: *10.3 ↗</p> <p>9: *10.7 →</p> <p>10: *10.6 ↘</p>	<p>1: 10.1 ↓</p> <p>2: *10.8 ↗</p> <p>3: *10.3 ↗</p> <p>4: *10.5 →</p> <p>5: *10.4 →</p> <p>6: *10.9 →</p> <p>7: *10.3 ↗</p> <p>8: *10.5 ↗</p> <p>9: 9.8 ↑</p> <p>10: 9.9 ←</p>	
Series 97.0	Series 98.0	
Total 0.0	Total 98.0	

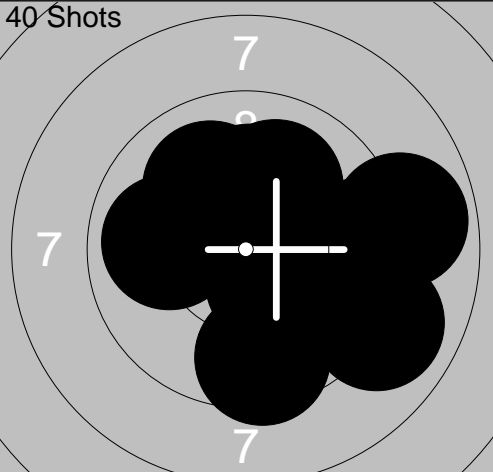
<p>40 Shots</p> 	<p>40 Shots</p> 	
<p>11: 9.9 ↑</p> <p>12: *10.5 ↘</p> <p>13: 9.6 ↑</p> <p>14: *10.4 ←</p> <p>15: *10.3 ↘</p> <p>16: 10.0 ↘</p> <p>17: 9.8 ↑</p> <p>18: 9.8 ←</p> <p>19: *10.3 ↘</p> <p>20: *10.4 ↗</p>	<p>21: *10.4 ↗</p> <p>22: *10.7 ↗</p> <p>23: 9.9 ↑</p> <p>24: *10.2 ↗</p> <p>25: *10.4 →</p> <p>26: 10.0 ↑</p> <p>27: *10.7 →</p> <p>28: *10.4 ↘</p> <p>29: 9.9 ↓</p> <p>30: *10.4 ←</p>	
Series 96.0	Series 98.0	
Total 194.0	Total 292.0	

<p>40 Shots</p> 	<p>40 Shots</p> 	
<p>31: 9.9 ↑</p> <p>32: 9.9 ↗</p> <p>33: 9.8 →</p> <p>34: *10.4 ←</p> <p>35: *10.7 ↗</p> <p>36: 9.6 →</p> <p>37: 9.8 →</p> <p>38: 9.3 ←</p> <p>39: *10.2 ↗</p> <p>40: 9.8 →</p>		
Series 93.0		
Total 385.0		

	<table border="1" style="width:100%; border-collapse: collapse;"> <tr><td>1:</td><td>*10.7</td><td>↘</td></tr> <tr><td>2:</td><td>9.6</td><td>←</td></tr> <tr><td>3:</td><td>9.6</td><td>←</td></tr> <tr><td>4:</td><td>9.5</td><td>↘</td></tr> <tr><td>5:</td><td>9.4</td><td>↓</td></tr> <tr><td>6:</td><td>8.6</td><td>↓</td></tr> <tr><td>7:</td><td>7.3</td><td>←</td></tr> <tr><td>8:</td><td>8.9</td><td>↓</td></tr> <tr><td>9:</td><td>9.3</td><td>←</td></tr> <tr><td>10:</td><td>9.7</td><td>←</td></tr> <tr><td colspan="2">Series</td><td>87.0</td></tr> <tr><td colspan="2">Total</td><td>0.0</td></tr> </table>	1:	*10.7	↘	2:	9.6	←	3:	9.6	←	4:	9.5	↘	5:	9.4	↓	6:	8.6	↓	7:	7.3	←	8:	8.9	↓	9:	9.3	←	10:	9.7	←	Series		87.0	Total		0.0		<table border="1" style="width:100%; border-collapse: collapse;"> <tr><td>11:</td><td>9.2</td><td>↙</td></tr> <tr><td>12:</td><td>*10.7</td><td>↓</td></tr> <tr><td>13:</td><td>*10.5</td><td>↗</td></tr> <tr><td>14:</td><td>8.9</td><td>↓</td></tr> <tr><td>15:</td><td>8.9</td><td>↓</td></tr> <tr><td>16:</td><td>9.6</td><td>↗</td></tr> <tr><td>17:</td><td>9.4</td><td>↓</td></tr> <tr><td>18:</td><td>*10.2</td><td>↖</td></tr> <tr><td>19:</td><td>10.0</td><td>↖</td></tr> <tr><td>20:</td><td>8.2</td><td>↓</td></tr> <tr><td colspan="2">Series</td><td>91.0</td></tr> <tr><td colspan="2">Total</td><td>0.0</td></tr> </table>	11:	9.2	↙	12:	*10.7	↓	13:	*10.5	↗	14:	8.9	↓	15:	8.9	↓	16:	9.6	↗	17:	9.4	↓	18:	*10.2	↖	19:	10.0	↖	20:	8.2	↓	Series		91.0	Total		0.0
1:	*10.7	↘																																																																									
2:	9.6	←																																																																									
3:	9.6	←																																																																									
4:	9.5	↘																																																																									
5:	9.4	↓																																																																									
6:	8.6	↓																																																																									
7:	7.3	←																																																																									
8:	8.9	↓																																																																									
9:	9.3	←																																																																									
10:	9.7	←																																																																									
Series		87.0																																																																									
Total		0.0																																																																									
11:	9.2	↙																																																																									
12:	*10.7	↓																																																																									
13:	*10.5	↗																																																																									
14:	8.9	↓																																																																									
15:	8.9	↓																																																																									
16:	9.6	↗																																																																									
17:	9.4	↓																																																																									
18:	*10.2	↖																																																																									
19:	10.0	↖																																																																									
20:	8.2	↓																																																																									
Series		91.0																																																																									
Total		0.0																																																																									

	<table border="1" style="width:100%; border-collapse: collapse;"> <tr><td>21:</td><td>9.5</td><td>↗</td></tr> <tr><td>22:</td><td>*10.3</td><td>↗</td></tr> <tr><td colspan="2">Series</td><td>19.0</td></tr> <tr><td colspan="2">Total</td><td>0.0</td></tr> </table>	21:	9.5	↗	22:	*10.3	↗	Series		19.0	Total		0.0		<table border="1" style="width:100%; border-collapse: collapse;"> <tr><td>1:</td><td>*10.4</td><td>↘</td></tr> <tr><td>2:</td><td>10.0</td><td>↓</td></tr> <tr><td>3:</td><td>9.8</td><td>←</td></tr> <tr><td>4:</td><td>*10.2</td><td>↓</td></tr> <tr><td>5:</td><td>8.8</td><td>↓</td></tr> <tr><td>6:</td><td>9.6</td><td>↗</td></tr> <tr><td>7:</td><td>10.1</td><td>←</td></tr> <tr><td>8:</td><td>9.3</td><td>→</td></tr> <tr><td>9:</td><td>*10.2</td><td>←</td></tr> <tr><td>10:</td><td>*10.4</td><td>↘</td></tr> <tr><td colspan="2">Series</td><td>95.0</td></tr> <tr><td colspan="2">Total</td><td>95.0</td></tr> </table>	1:	*10.4	↘	2:	10.0	↓	3:	9.8	←	4:	*10.2	↓	5:	8.8	↓	6:	9.6	↗	7:	10.1	←	8:	9.3	→	9:	*10.2	←	10:	*10.4	↘	Series		95.0	Total		95.0
21:	9.5	↗																																																	
22:	*10.3	↗																																																	
Series		19.0																																																	
Total		0.0																																																	
1:	*10.4	↘																																																	
2:	10.0	↓																																																	
3:	9.8	←																																																	
4:	*10.2	↓																																																	
5:	8.8	↓																																																	
6:	9.6	↗																																																	
7:	10.1	←																																																	
8:	9.3	→																																																	
9:	*10.2	←																																																	
10:	*10.4	↘																																																	
Series		95.0																																																	
Total		95.0																																																	

	<table border="1" style="width:100%; border-collapse: collapse;"> <tr><td>11:</td><td>9.7</td><td>↗</td></tr> <tr><td>12:</td><td>8.8</td><td>←</td></tr> <tr><td>13:</td><td>9.6</td><td>→</td></tr> <tr><td>14:</td><td>*10.3</td><td>→</td></tr> <tr><td>15:</td><td>9.8</td><td>↘</td></tr> <tr><td>16:</td><td>9.2</td><td>↓</td></tr> <tr><td>17:</td><td>9.9</td><td>↑</td></tr> <tr><td>18:</td><td>8.6</td><td>↗</td></tr> <tr><td>19:</td><td>9.3</td><td>↗</td></tr> <tr><td>20:</td><td>9.9</td><td>→</td></tr> <tr><td colspan="2">Series</td><td>89.0</td></tr> <tr><td colspan="2">Total</td><td>184.0</td></tr> </table>	11:	9.7	↗	12:	8.8	←	13:	9.6	→	14:	*10.3	→	15:	9.8	↘	16:	9.2	↓	17:	9.9	↑	18:	8.6	↗	19:	9.3	↗	20:	9.9	→	Series		89.0	Total		184.0		<table border="1" style="width:100%; border-collapse: collapse;"> <tr><td>21:</td><td>10.1</td><td>→</td></tr> <tr><td>22:</td><td>*10.7</td><td>↓</td></tr> <tr><td>23:</td><td>9.5</td><td>→</td></tr> <tr><td>24:</td><td>9.8</td><td>↘</td></tr> <tr><td>25:</td><td>*10.4</td><td>↘</td></tr> <tr><td>26:</td><td>10.0</td><td>↑</td></tr> <tr><td>27:</td><td>9.2</td><td>↑</td></tr> <tr><td>28:</td><td>10.1</td><td>↖</td></tr> <tr><td>29:</td><td>9.0</td><td>↓</td></tr> <tr><td>30:</td><td>9.5</td><td>↓</td></tr> <tr><td colspan="2">Series</td><td>95.0</td></tr> <tr><td colspan="2">Total</td><td>279.0</td></tr> </table>	21:	10.1	→	22:	*10.7	↓	23:	9.5	→	24:	9.8	↘	25:	*10.4	↘	26:	10.0	↑	27:	9.2	↑	28:	10.1	↖	29:	9.0	↓	30:	9.5	↓	Series		95.0	Total		279.0
11:	9.7	↗																																																																									
12:	8.8	←																																																																									
13:	9.6	→																																																																									
14:	*10.3	→																																																																									
15:	9.8	↘																																																																									
16:	9.2	↓																																																																									
17:	9.9	↑																																																																									
18:	8.6	↗																																																																									
19:	9.3	↗																																																																									
20:	9.9	→																																																																									
Series		89.0																																																																									
Total		184.0																																																																									
21:	10.1	→																																																																									
22:	*10.7	↓																																																																									
23:	9.5	→																																																																									
24:	9.8	↘																																																																									
25:	*10.4	↘																																																																									
26:	10.0	↑																																																																									
27:	9.2	↑																																																																									
28:	10.1	↖																																																																									
29:	9.0	↓																																																																									
30:	9.5	↓																																																																									
Series		95.0																																																																									
Total		279.0																																																																									

	<table border="1" style="width:100%; border-collapse: collapse;"> <tr><td>31:</td><td>*10.4</td><td>↘</td></tr> <tr><td>32:</td><td>9.5</td><td>↓</td></tr> <tr><td>33:</td><td>8.9</td><td>→</td></tr> <tr><td>34:</td><td>*10.2</td><td>↗</td></tr> <tr><td>35:</td><td>9.0</td><td>↘</td></tr> <tr><td>36:</td><td>10.0</td><td>↗</td></tr> <tr><td>37:</td><td>9.5</td><td>→</td></tr> <tr><td>38:</td><td>10.0</td><td>↗</td></tr> <tr><td>39:</td><td>9.9</td><td>←</td></tr> <tr><td>40:</td><td>*10.2</td><td>↑</td></tr> <tr><td colspan="2">Series</td><td>94.0</td></tr> <tr><td colspan="2">Total</td><td>373.0</td></tr> </table>	31:	*10.4	↘	32:	9.5	↓	33:	8.9	→	34:	*10.2	↗	35:	9.0	↘	36:	10.0	↗	37:	9.5	→	38:	10.0	↗	39:	9.9	←	40:	*10.2	↑	Series		94.0	Total		373.0	
31:	*10.4	↘																																				
32:	9.5	↓																																				
33:	8.9	→																																				
34:	*10.2	↗																																				
35:	9.0	↘																																				
36:	10.0	↗																																				
37:	9.5	→																																				
38:	10.0	↗																																				
39:	9.9	←																																				
40:	*10.2	↑																																				
Series		94.0																																				
Total		373.0																																				

<p><b>Sight</b></p>	<p><b>Sight</b></p>	<table border="1" style="width:100%; border-collapse: collapse;"> <tr><td>1: 9.3</td><td>↓</td></tr> <tr><td>2: 9.2</td><td>↓</td></tr> <tr><td>3: 9.5</td><td>↓</td></tr> <tr><td>4: 9.8</td><td>↓</td></tr> <tr><td>5: *10.4</td><td>↗</td></tr> <tr><td>6: 9.8</td><td>↓</td></tr> <tr><td>7: 10.1</td><td>↓</td></tr> <tr><td>8: *10.2</td><td>↓</td></tr> <tr><td>9: *10.2</td><td>↓</td></tr> <tr><td>10: 9.9</td><td>←</td></tr> <tr><td colspan="2"><b>Series 94.0</b></td></tr> <tr><td colspan="2"><b>Total 0.0</b></td></tr> </table>	1: 9.3	↓	2: 9.2	↓	3: 9.5	↓	4: 9.8	↓	5: *10.4	↗	6: 9.8	↓	7: 10.1	↓	8: *10.2	↓	9: *10.2	↓	10: 9.9	←	<b>Series 94.0</b>		<b>Total 0.0</b>	
1: 9.3	↓																									
2: 9.2	↓																									
3: 9.5	↓																									
4: 9.8	↓																									
5: *10.4	↗																									
6: 9.8	↓																									
7: 10.1	↓																									
8: *10.2	↓																									
9: *10.2	↓																									
10: 9.9	←																									
<b>Series 94.0</b>																										
<b>Total 0.0</b>																										


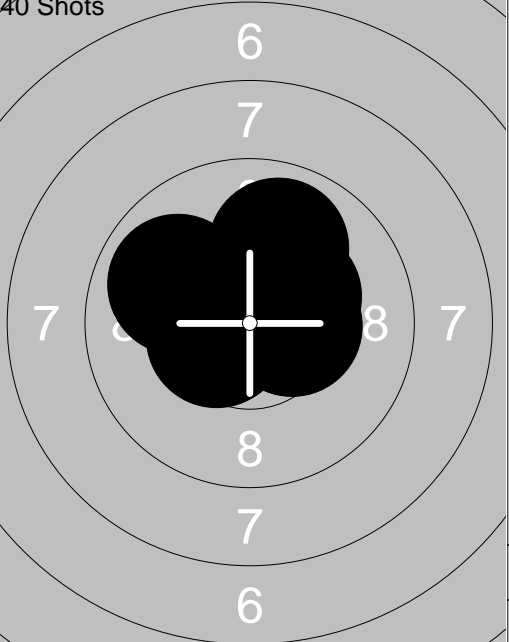
<p><b>Sight</b></p>	<p><b>40 Shots</b></p>	<table border="1" style="width:100%; border-collapse: collapse;"> <tr><td>21: *10.9</td><td>↗</td></tr> <tr><td>22: *10.5</td><td>→</td></tr> <tr><td>23: *10.7</td><td>↗</td></tr> <tr><td>24: *10.6</td><td>←</td></tr> <tr><td>25: 9.6</td><td>↗</td></tr> <tr><td colspan="2"><b>Series 49.0</b></td></tr> <tr><td colspan="2"><b>Total 0.0</b></td></tr> </table>	21: *10.9	↗	22: *10.5	→	23: *10.7	↗	24: *10.6	←	25: 9.6	↗	<b>Series 49.0</b>		<b>Total 0.0</b>	
21: *10.9	↗															
22: *10.5	→															
23: *10.7	↗															
24: *10.6	←															
25: 9.6	↗															
<b>Series 49.0</b>																
<b>Total 0.0</b>																


<p><b>40 Shots</b></p>	<p><b>40 Shots</b></p>	<table border="1" style="width:100%; border-collapse: collapse;"> <tr><td>11: *10.5</td><td>↗</td></tr> <tr><td>12: *10.5</td><td>↓</td></tr> <tr><td>13: 9.7</td><td>→</td></tr> <tr><td>14: *10.5</td><td>↓</td></tr> <tr><td>15: *10.5</td><td>↗</td></tr> <tr><td>16: 9.1</td><td>↗</td></tr> <tr><td>17: 9.5</td><td>↗</td></tr> <tr><td>18: 10.0</td><td>←</td></tr> <tr><td>19: 9.2</td><td>↗</td></tr> <tr><td>20: 10.0</td><td>←</td></tr> <tr><td colspan="2"><b>Series 96.0</b></td></tr> <tr><td colspan="2"><b>Total 190.0</b></td></tr> </table>	11: *10.5	↗	12: *10.5	↓	13: 9.7	→	14: *10.5	↓	15: *10.5	↗	16: 9.1	↗	17: 9.5	↗	18: 10.0	←	19: 9.2	↗	20: 10.0	←	<b>Series 96.0</b>		<b>Total 190.0</b>	
11: *10.5	↗																									
12: *10.5	↓																									
13: 9.7	→																									
14: *10.5	↓																									
15: *10.5	↗																									
16: 9.1	↗																									
17: 9.5	↗																									
18: 10.0	←																									
19: 9.2	↗																									
20: 10.0	←																									
<b>Series 96.0</b>																										
<b>Total 190.0</b>																										

<p><b>40 Shots</b></p>	<table border="1" style="width:100%; border-collapse: collapse;"> <tr><td>31: *10.4</td><td>↖</td></tr> <tr><td>32: *10.4</td><td>↖</td></tr> <tr><td>33: *10.8</td><td>↗</td></tr> <tr><td>34: *10.5</td><td>→</td></tr> <tr><td>35: 9.0</td><td>↓</td></tr> <tr><td>36: *10.8</td><td>↗</td></tr> <tr><td>37: *10.5</td><td>↓</td></tr> <tr><td>38: 9.8</td><td>→</td></tr> <tr><td>39: 9.7</td><td>↓</td></tr> <tr><td>40: *10.5</td><td>↓</td></tr> <tr><td colspan="2"><b>Series 97.0</b></td></tr> <tr><td colspan="2"><b>Total 381.0</b></td></tr> </table>	31: *10.4	↖	32: *10.4	↖	33: *10.8	↗	34: *10.5	→	35: 9.0	↓	36: *10.8	↗	37: *10.5	↓	38: 9.8	→	39: 9.7	↓	40: *10.5	↓	<b>Series 97.0</b>		<b>Total 381.0</b>		<table border="1" style="width:100%; border-collapse: collapse;"> <tr><td>21: *10.6</td><td>↗</td></tr> <tr><td>22: 9.5</td><td>↗</td></tr> <tr><td>23: 9.5</td><td>↗</td></tr> <tr><td>24: 9.6</td><td>↗</td></tr> <tr><td>25: 9.9</td><td>↗</td></tr> <tr><td>26: 9.4</td><td>→</td></tr> <tr><td>27: *10.4</td><td>↓</td></tr> <tr><td>28: 10.0</td><td>↓</td></tr> <tr><td>29: *10.6</td><td>→</td></tr> <tr><td>30: 9.9</td><td>↓</td></tr> <tr><td colspan="2"><b>Series 94.0</b></td></tr> <tr><td colspan="2"><b>Total 284.0</b></td></tr> </table>	21: *10.6	↗	22: 9.5	↗	23: 9.5	↗	24: 9.6	↗	25: 9.9	↗	26: 9.4	→	27: *10.4	↓	28: 10.0	↓	29: *10.6	→	30: 9.9	↓	<b>Series 94.0</b>		<b>Total 284.0</b>	
31: *10.4	↖																																																	
32: *10.4	↖																																																	
33: *10.8	↗																																																	
34: *10.5	→																																																	
35: 9.0	↓																																																	
36: *10.8	↗																																																	
37: *10.5	↓																																																	
38: 9.8	→																																																	
39: 9.7	↓																																																	
40: *10.5	↓																																																	
<b>Series 97.0</b>																																																		
<b>Total 381.0</b>																																																		
21: *10.6	↗																																																	
22: 9.5	↗																																																	
23: 9.5	↗																																																	
24: 9.6	↗																																																	
25: 9.9	↗																																																	
26: 9.4	→																																																	
27: *10.4	↓																																																	
28: 10.0	↓																																																	
29: *10.6	→																																																	
30: 9.9	↓																																																	
<b>Series 94.0</b>																																																		
<b>Total 284.0</b>																																																		



<p>Sight</p> 	<p>40 Shots</p> 	<p>1: *10.2↗</p> <p>2: *10.4↑</p> <p>3: *10.2↑</p> <p>4: *10.3↑</p> <p>5: 10.1↖</p> <p>6: *10.3↓</p> <p>7: *10.4↓</p> <p>8: *10.2↘</p> <p>9: *10.5↙</p> <p>10: *10.7↖</p> <hr/> <p>Series 100.0</p> <p>Total 0.0</p>	<p>1: *10.2↓</p> <p>2: 9.5 →</p> <p>3: *10.8↑</p> <p>4: *10.7→</p> <p>5: *10.5↙</p> <p>6: 9.8 ↑</p> <p>7: *10.4↓</p> <p>8: *10.2→</p> <p>9: *10.7↙</p> <p>10: *10.2↑</p> <hr/> <p>Series 98.0</p> <p>Total 98.0</p>
---	--	--	---

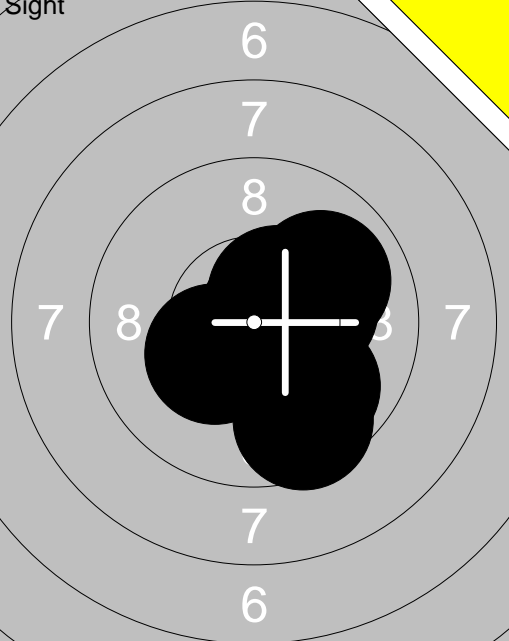
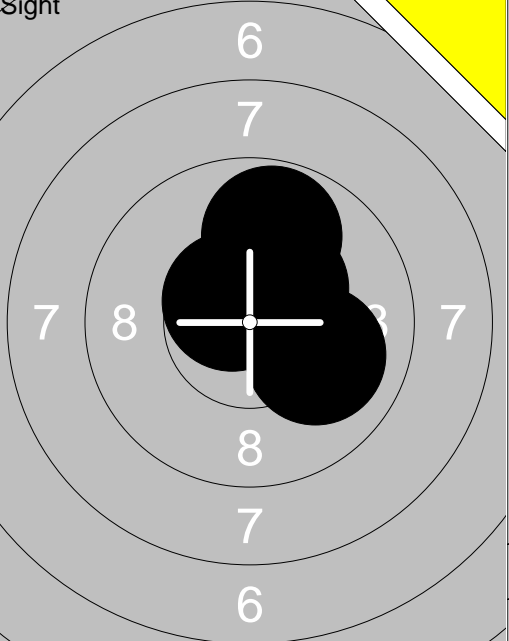
<p>40 Shots</p> 	<p>40 Shots</p> 	<p>11: *10.2↖</p> <p>12: *10.7↓</p> <p>13: *10.8↖</p> <p>14: 9.8 ↑</p> <p>15: 10.0 ↖</p> <p>16: *10.7↙</p> <p>17: *10.2↑</p> <p>18: *10.3↙</p> <p>19: 9.1 ↑</p> <p>20: 9.9 ↑</p> <hr/> <p>Series 97.0</p> <p>Total 195.0</p>	<p>21: *10.6→</p> <p>22: 9.9 ↖</p> <p>23: *10.5↙</p> <p>24: *10.4→</p> <p>25: *10.2↑</p> <p>26: *10.5↙</p> <p>27: 9.9 ↑</p> <p>28: *10.4↖</p> <p>29: *10.6↑</p> <p>30: *10.3↗</p> <hr/> <p>Series 98.0</p> <p>Total 293.0</p>
---	---	--	---


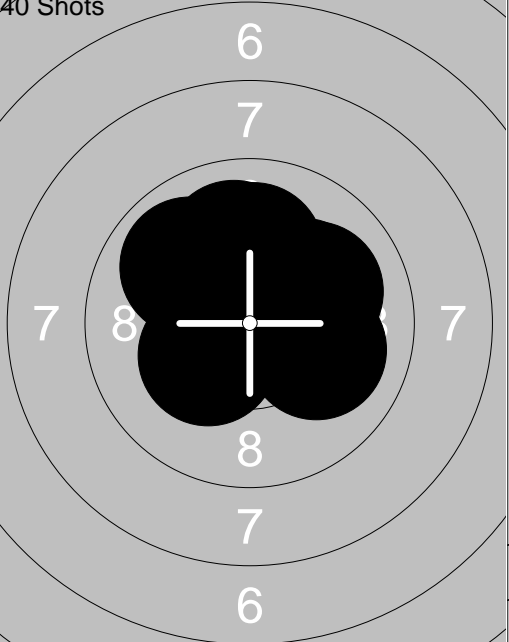
<p>40 Shots</p> 	<p>31: 9.8 →</p> <p>32: 10.1 ↑</p> <p>33: *10.3↑</p> <p>34: *10.5↘</p> <p>35: 9.7 →</p> <p>36: 8.8 ↑</p> <p>37: *10.4↘</p> <p>38: *10.4↗</p> <p>39: *10.5→</p> <p>40: 10.1 ↓</p> <hr/> <p>Series 96.0</p> <p>Total 389.0</p>		
--	--	--	--

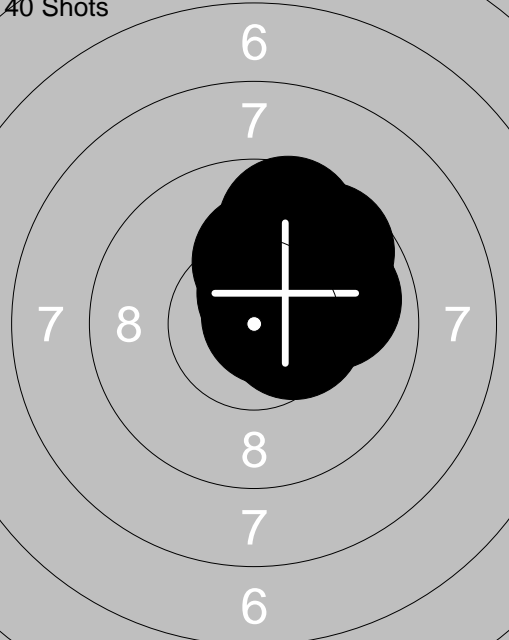
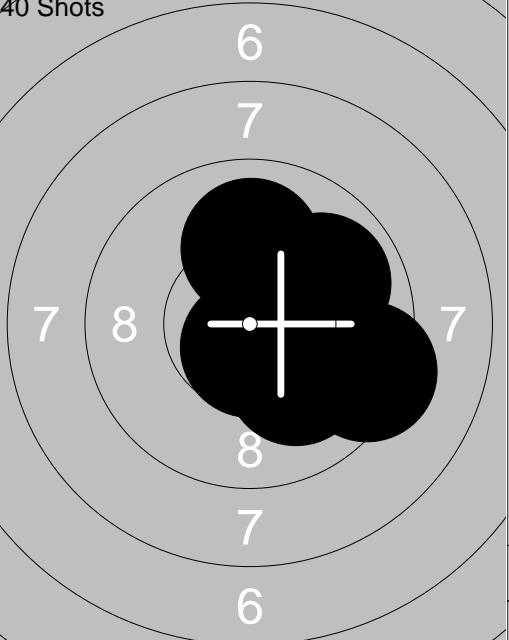
<p>Sight</p>	<p>Sight</p>
--------------	--------------

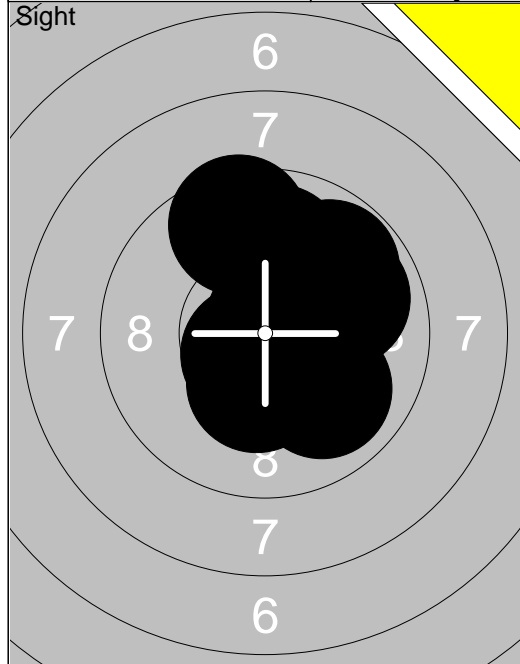
<p>40 Shots</p>	<p>40 Shots</p>
-----------------	-----------------

<p>40 Shots</p>	<p>40 Shots</p>
-----------------	-----------------

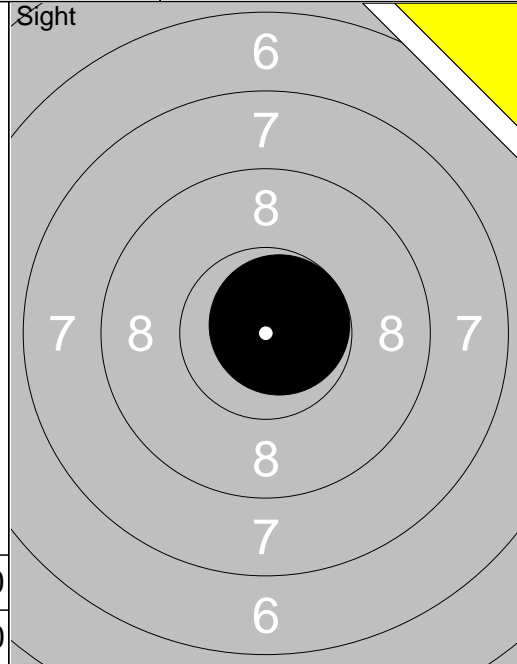
Sight 	1: *10.7➔	Sight 	11: 10.0➔
	2: *10.5➔		12: 9.8 ↑
	3: 9.9 ↓		13: *10.6↖
	4: 9.6 ↓		14: *10.4↗
	5: *10.6➔		
	6: *10.3↘		
	7: 10.1➔		
	8: *10.3➔		
	9: 10.0➔		
	10: *10.5↗		
	Series 98.0		Series 39.0
	Total 0.0		Total 0.0

40 Shots 	1: *10.2↖	40 Shots 	11: *10.4↖
	2: *10.2➔		12: 10.0➔
	3: *10.4↗		13: *10.3↘
	4: 9.4 ↑		14: 9.9 ↖
	5: *10.5↘		15: 10.0 ↑
	6: *10.4↖		16: 10.0 ↑
	7: *10.9↘		17: *10.3↗
	8: 10.0➔		18: 10.1➔
	9: 10.0↖		19: 10.0➔
	10: *10.5↖		20: *10.5↗
	Series 99.0		Series 99.0
	Total 99.0		Total 198.0

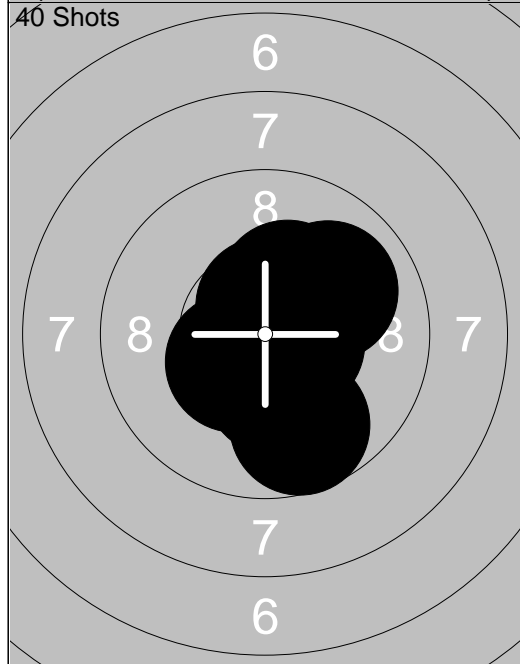
40 Shots 	21: *10.3➔	40 Shots 	31: 10.0 ↑
	22: 9.6 ↑		32: *10.4➔
	23: *10.2↑		33: 9.9 ➔
	24: 10.1➔		34: 9.3 ➔
	25: 9.7 ➔		35: *10.4↘
	26: 9.9 ➔		36: *10.7➔
	27: *10.5↑		37: 10.1↘
	28: 9.9 ➔		38: 10.1↘
	29: *10.7➔		39: *10.4➔
	30: *10.4➔		40: *10.7↓
	Series 96.0		Series 98.0
	Total 294.0		Total 392.0



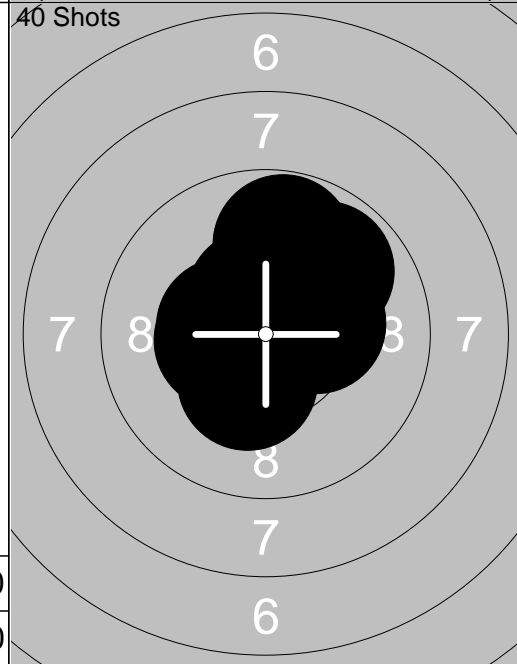
1:	*10.7 ↗
2:	*10.3 ↓
3:	9.9 ↘
4:	9.8 ↗
5:	9.9 ↗
6:	9.5 ↑
7:	*10.6 ↗
8:	9.9 ↑
9:	10.1 ↗
10:	*10.6 ↘
Series	95.0
Total	0.0



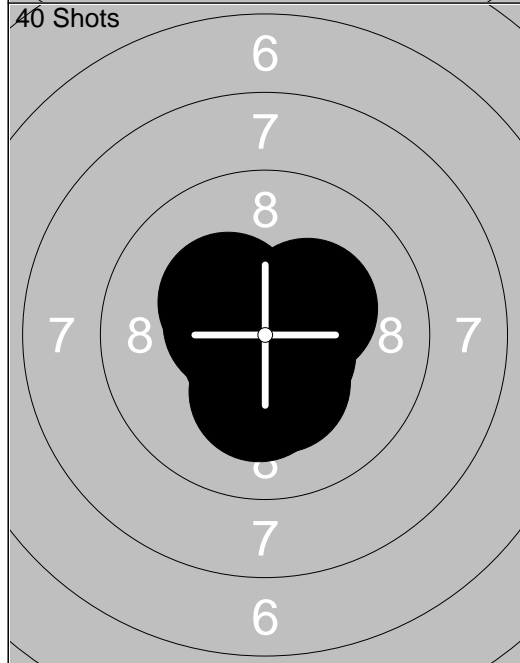
11:	*10.8 ↗
Series	10.0
Total	0.0



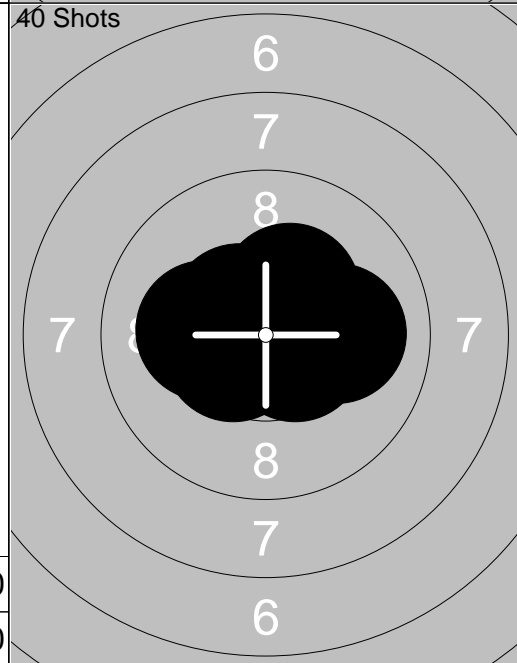
1:	10.0 ↗
2:	9.7 ↓
3:	*10.6 ➔
4:	*10.9 ➔
5:	*10.3 ↓
6:	*10.4 ↘
7:	*10.4 ↓
8:	*10.3 ↗
9:	*10.9 ↘
10:	*10.6 ↑
Series	99.0
Total	99.0



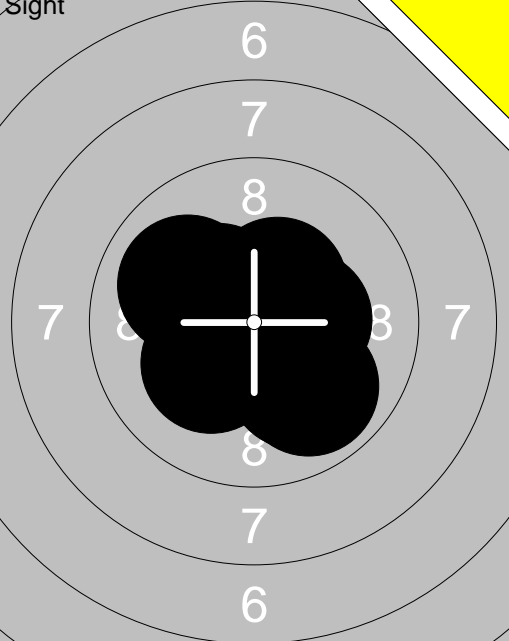
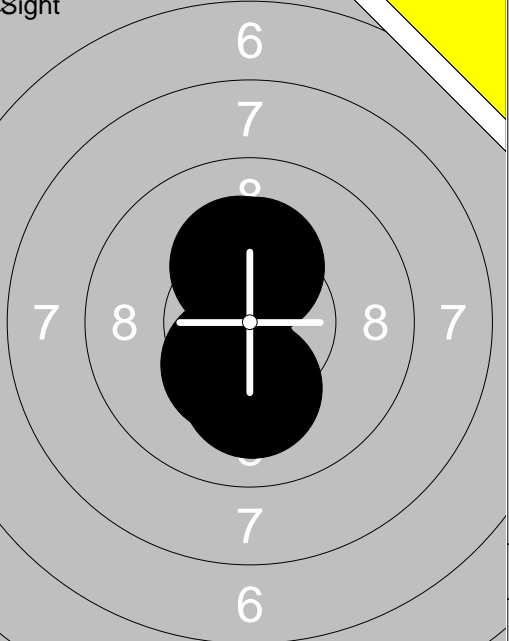
11:	*10.5 ↑
12:	*10.4 ↖
13:	9.8 ↑
14:	*10.5 ↖
15:	9.9 ↗
16:	*10.6 ↖
17:	*10.4 ↖
18:	*10.7 ↘
19:	*10.3 ➔
20:	*10.3 ↘
Series	98.0
Total	197.0





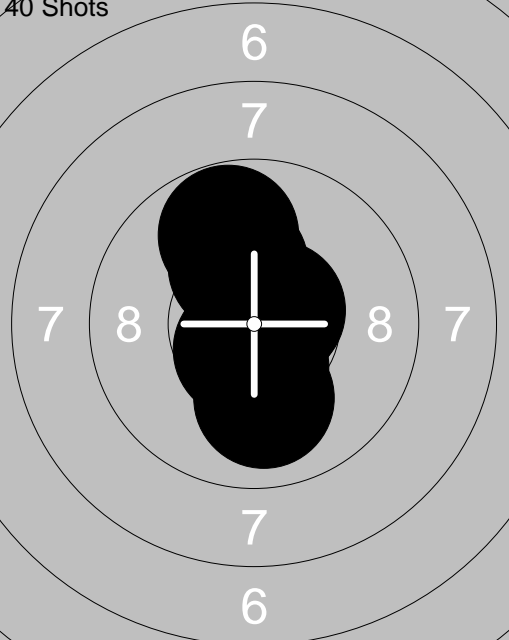
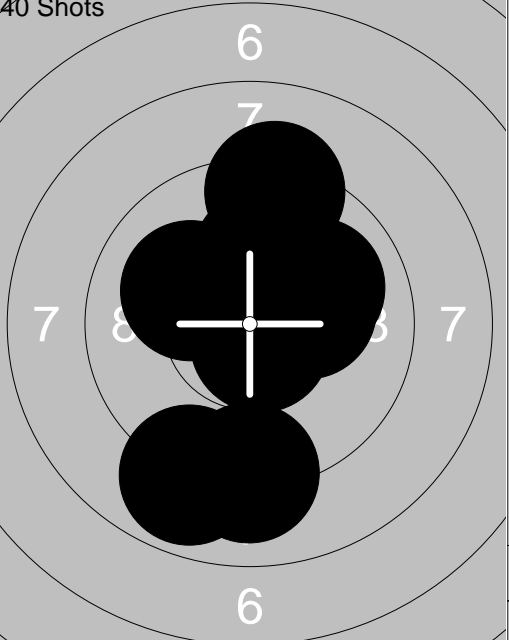
21:	*10.5 ↖
22:	*10.6 ↘
23:	*10.3 ↖
24:	*10.8 ↑
25:	*10.2 ↓
26:	*10.3 ↗
27:	*10.3 ↓
28:	*10.7 ↖
29:	*10.7 ↘
30:	*10.8 ↘
Series	100.0
Total	297.0

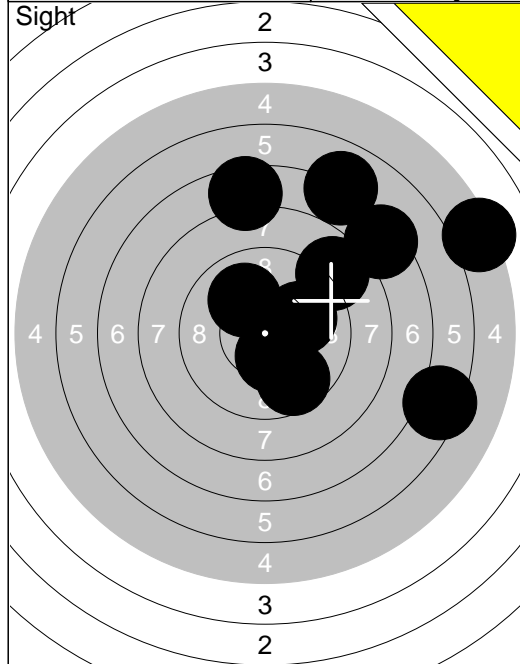


31:	*10.6 ↗
32:	*10.5 ➔
33:	*10.6 ➔
34:	*10.3 ↗
35:	*10.5 ↘
36:	*10.5 ↖
37:	*10.6 ↖
38:	*10.5 ➔
39:	10.0 ➔
40:	*10.2 ↖
Series	100.0
Total	397.0

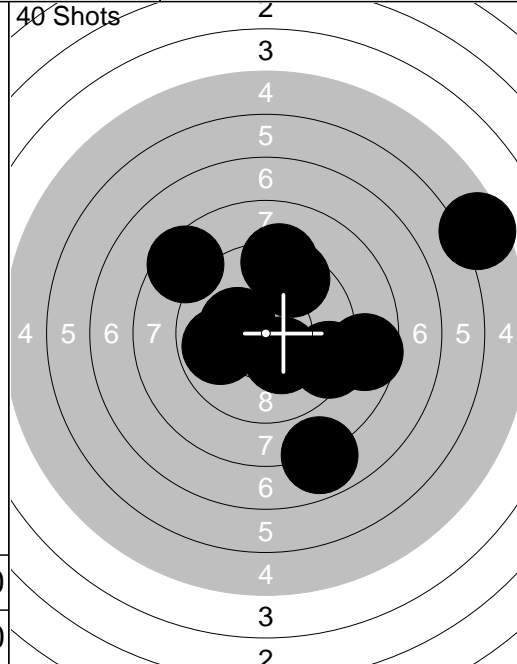
Sight 	1: 10.0 ↙	Sight 	11: 10.1 ↓
	2: *10.4 ↗		12: *10.2 ↑
	3: *10.2 ↘		13: *10.2 ↑
	4: *10.8 ↘		14: *10.4 ↘
	5: *10.3 →		
	6: *10.8 ↗		
	7: *10.4 ↗		
	8: *10.7 ↘		
	9: 10.0 ↓		
	10: 9.9 ↓		
	Series 99.0		Series 40.0
	Total 0.0		Total 0.0

40 Shots 	1: *10.8 ↗	40 Shots 	11: *10.6 →
	2: *10.5 ↘		12: *10.5 ↑
	3: *10.3 →		13: *10.3 →
	4: 9.8 →		14: 9.9 ↗
	5: *10.6 ↙		15: *10.6 ↑
	6: *10.2 ↑		16: 9.8 ↓
	7: *10.2 →		17: *10.3 ↘
	8: *10.4 ↙		18: 9.8 →
	9: *10.6 ↑		19: *10.8 ↗
	10: 10.0 ↓		20: 10.1 ↑
	Series 99.0		Series 97.0
	Total 99.0		Total 196.0

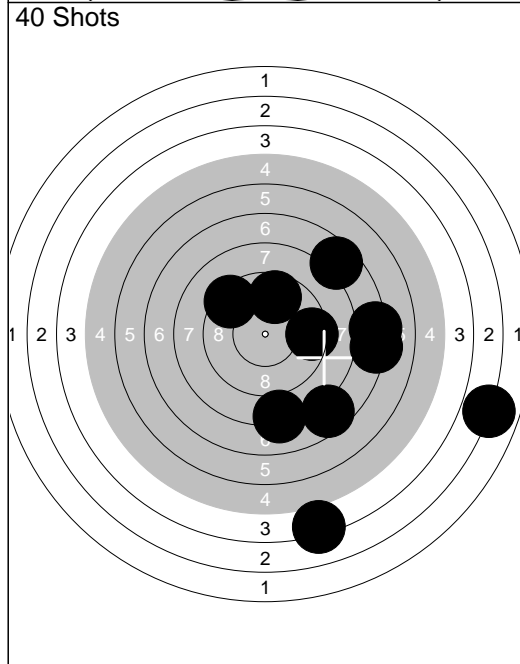
40 Shots 	21: *10.6 ↗	40 Shots 	31: 8.9 ↓
	22: *10.7 →		32: 9.0 ↓
	23: *10.8 ↘		33: *10.2 →
	24: *10.4 ↓		34: *10.3 ↗
	25: *10.2 ↑		35: *10.7 ↘
	26: 9.8 ↑		36: 9.2 ↑
	27: *10.6 ↘		37: 10.1 ↑
	28: *10.7 ↘		38: 10.1 ↙
	29: 10.0 ↓		39: 10.0 ↗
	30: *10.7 ↑		40: *10.2 ↑
	Series 99.0		Series 96.0
	Total 295.0		Total 391.0



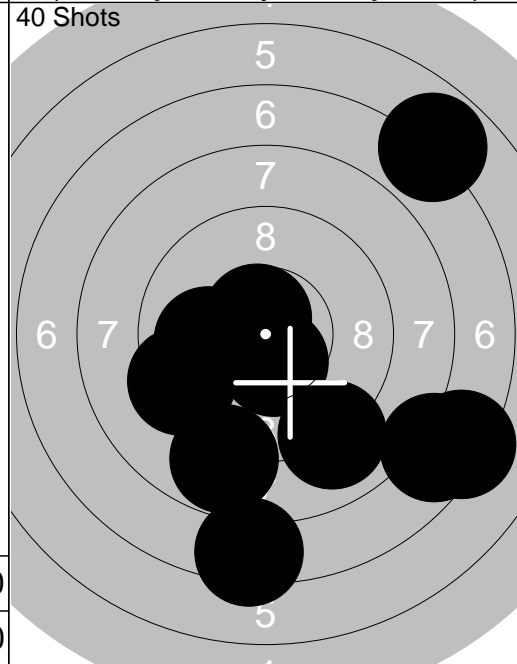
1:	6.4	➔
2:	7.0	↗
3:	7.4	↗
4:	5.2	➔
5:	7.5	↗
6:	9.7	↘
7:	*10.4	↘
8:	10.0	➔
9:	8.8	↗
10:	10.0	↖
Series		79.0
Total		0.0



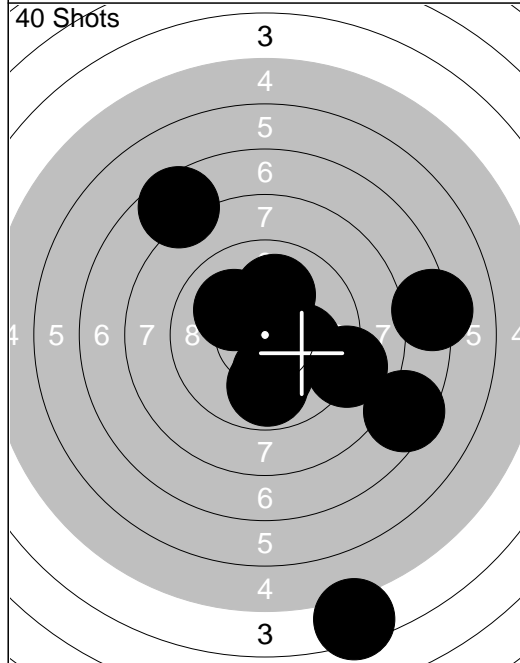
1:	9.3	↗
2:	7.9	↘
3:	5.5	➔
4:	8.6	➔
5:	9.8	↖
6:	8.5	↖
7:	*10.3	↖
8:	9.3	➔
9:	9.5	↗
10:	*10.3	↘
Series		84.0
Total		84.0



11:	9.3	↖
12:	4.1	↘
13:	2.9	➔
14:	7.1	➔
15:	9.6	↗
16:	8.1	↘
17:	7.2	➔
18:	7.5	↗
19:	9.4	➔
20:	7.6	↘
Series		69.0
Total		153.0



21:	10.0	↖
22:	6.8	↗
23:	7.3	➔
24:	7.4	↘
25:	8.8	↘
26:	9.0	↘
27:	*10.5	↘
28:	*10.7	↖
29:	9.4	↖
30:	7.6	↘
Series		83.0
Total		236.0



31:	7.5	↖
32:	9.0	➔
33:	4.4	↘
34:	10.1	↖
35:	10.0	↗
36:	10.1	➔
37:	7.5	➔
38:	9.8	↘
39:	10.1	↘
40:	7.2	➔
Series		83.0
Total		319.0


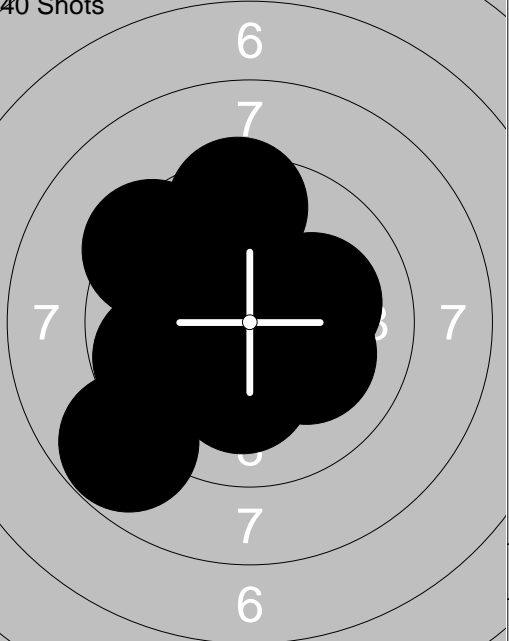


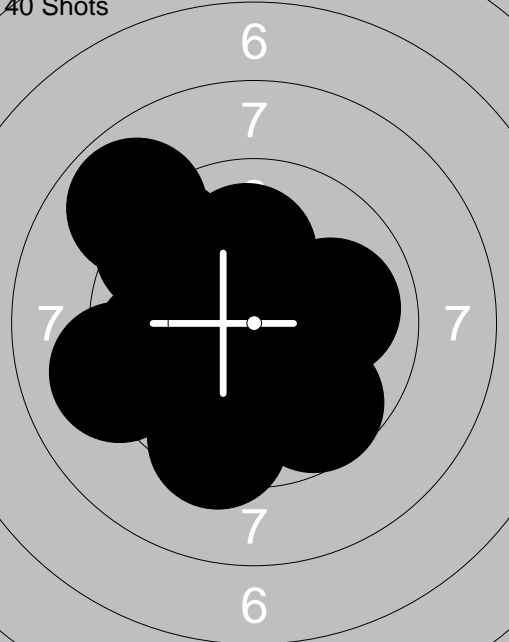

	<p>1: 8.1 ↖ 2: *10.8 ↘ 3: 10.1 ↗ 4: 9.4 ↖ 5: 6.5 ↗ 6: 7.6 → 7: 8.8 ↖ 8: 7.9 ↗ 9: 8.2 → 10: 8.0 ↗</p> <p>Series 81.0 Total 0.0</p>		<p>11: *10.6 ↖</p>
	Series 81.0		Series 10.0
	Total 0.0		Total 0.0

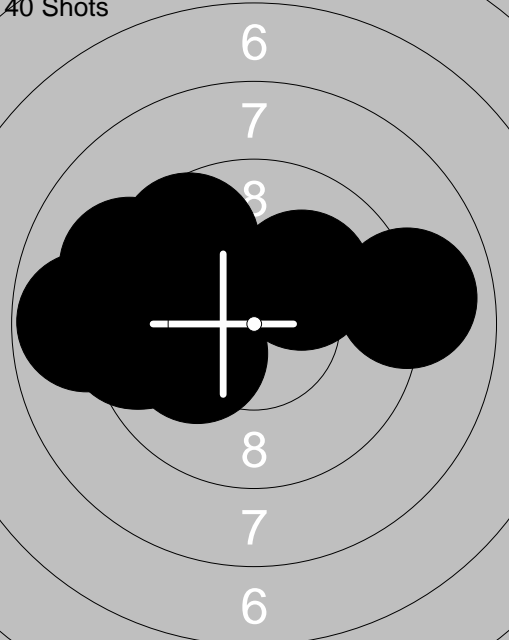

	<p>1: 9.3 ↑ 2: 8.0 ↖ 3: 7.1 ↑ 4: 10.1 ↖ 5: *10.6 ↘ 6: 9.7 → 7: 9.5 ↗ 8: 9.5 ↖ 9: *10.2 → 10: 7.9 →</p> <p>Series 88.0 Total 88.0</p>		<p>11: 9.5 ↘ 12: 9.2 ↖ 13: 8.1 → 14: 9.8 ↑ 15: 10.1 ↖ 16: 10.0 ↗ 17: 8.3 → 18: 8.6 ↑ 19: *10.2 → 20: 10.1 ↑</p>
	Series 88.0		Series 91.0
	Total 88.0		Total 179.0

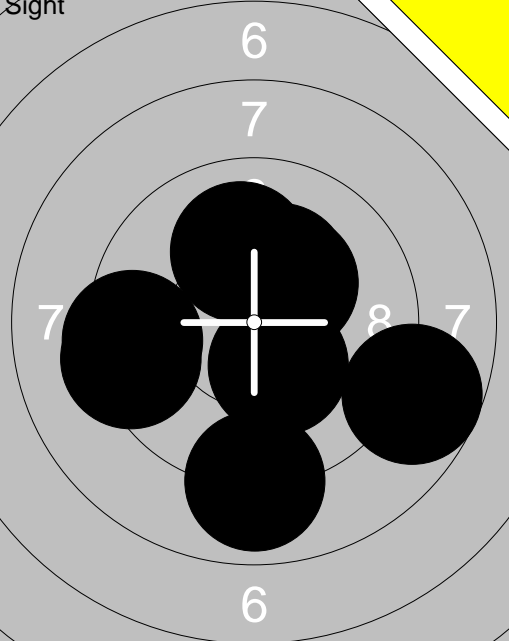
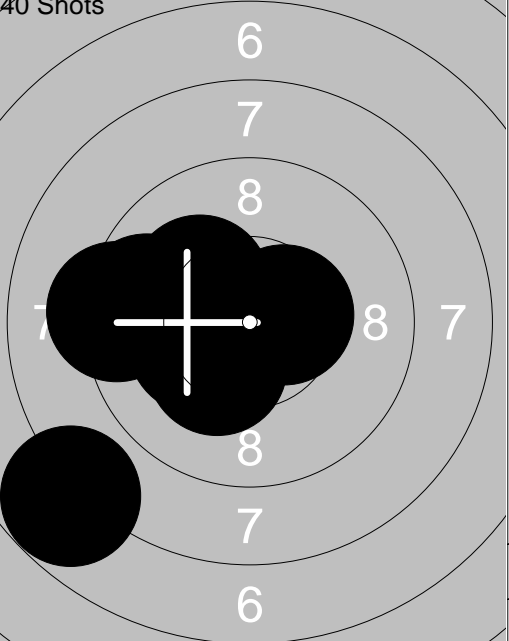
	<p>21: 9.2 ↖ 22: 10.1 ↑ 23: 8.9 → 24: 9.3 ↑ 25: 8.0 ↗ 26: 9.5 → 27: 9.7 ↖ 28: 8.1 → 29: 9.1 → 30: 8.7 →</p> <p>Series 87.0 Total 266.0</p>		<p>31: 9.4 ↘ 32: 9.2 → 33: 9.8 ↗ 34: 8.9 ↑ 35: 9.2 → 36: 9.7 ↗ 37: 9.2 → 38: 8.8 ↑ 39: 9.9 ↘ 40: 9.6 →</p>
	Series 87.0		Series 88.0
	Total 266.0		Total 354.0




Sight		1: *10.2 ↘	40 Shots		1: 10.1 ↘
		2: 9.5 →			2: 9.5 ↑
		3: *10.4 ↘			3: 9.8 ↙
		4: *10.4 ↘			4: 10.1 →
		5: 8.8 →			5: 9.4 ↙
		6: *10.2 ↘			6: *10.3 ↙
		7: *10.2 ↘			7: *10.4 ↘
		8: 9.2 ↓			8: *10.5 ↘
		9: *10.7 ↗			9: *10.2 ↘
		10: 9.9 ←			10: 8.8 ↙
		Series 95.0			Series 95.0
		Total 0.0			Total 95.0

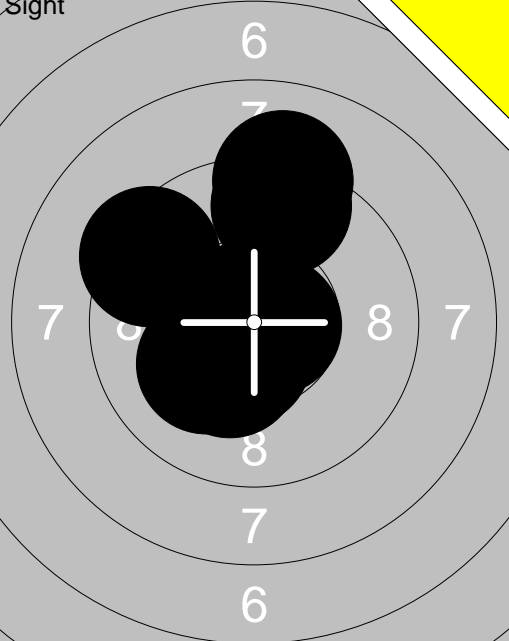
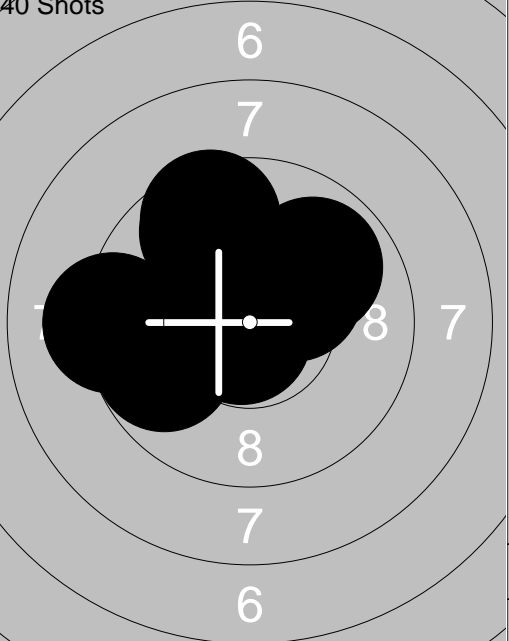
40 Shots		11: *10.9 →	40 Shots		21: 8.0 ↙
		12: 8.9 ↙			22: 9.8 ↘
		13: 9.4 ↓			23: 9.0 ↙
		14: 9.6 ↓			24: 9.4 ↙
		15: 9.7 ↓			25: *10.7 ↗
		16: 9.7 ←			26: 10.0 ↙
		17: 9.1 ←			27: *10.4 ↘
		18: 10.0 →			28: 10.0 ↓
		19: 10.1 ↑			29: *10.4 →
		20: 9.5 ↙			30: 9.7 ↘
		Series 92.0			Series 94.0
		Total 187.0			Total 281.0



40 Shots		31: 9.4 ←			
		32: 10.1 ↙			
		33: 10.1 ↙			
		34: 9.5 ←			
		35: 9.6 ↗			
		36: 10.1 ↙			
		37: 9.0 →			
		38: 10.1 ↗			
		39: 9.2 ↙			
		40: 8.8 ←			
		Series 93.0			
		Total 374.0			

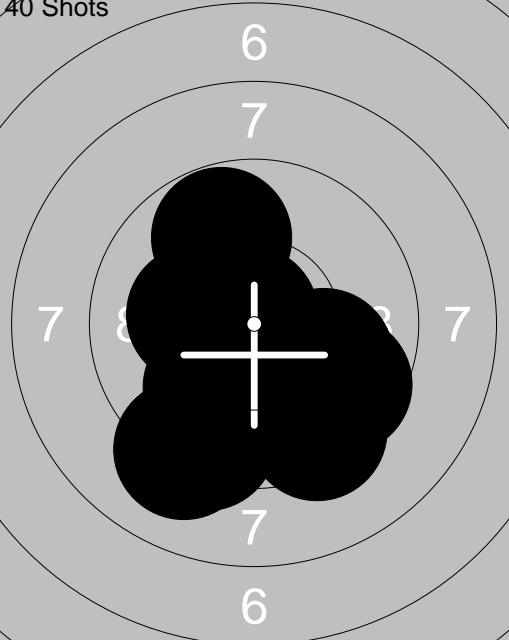
<p>Sight</p> 	<p>40 Shots</p> 	<p>1: 9.3 ←</p> <p>2: 9.4 ←</p> <p>3: *10.3 ↘</p> <p>4: *10.2 ↗</p> <p>5: 10.0 ↑</p> <p>6: 8.7 →</p> <p>7: 8.9 ↓</p> <p>8: *10.3 ↗</p> <hr/> <p>Series 74.0</p> <p>Total 0.0</p>	<p>1: 9.2 ←</p> <p>2: *10.5 →</p> <p>3: 9.6 ←</p> <p>4: *10.3 ↘</p> <p>5: *10.6 ↘</p> <p>6: 9.6 ←</p> <p>7: *10.2 ↘</p> <p>8: *10.2 ↘</p> <p>9: 7.8 ↙</p> <p>10: *10.5 ↘</p> <hr/> <p>Series 94.0</p> <p>Total 94.0</p>
---	--	--	---

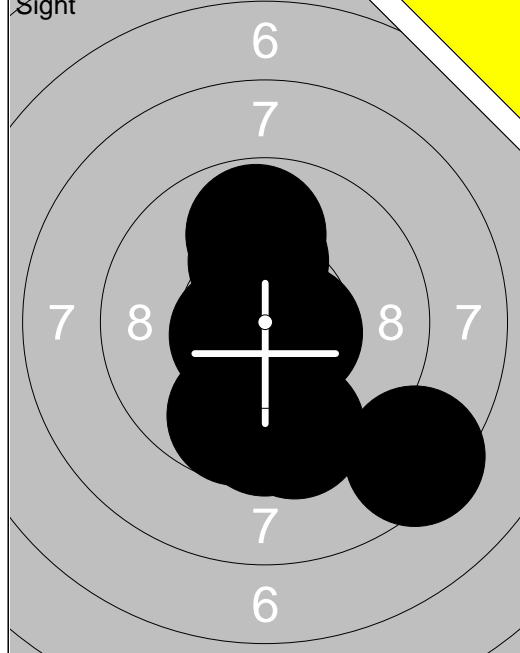
<p>40 Shots</p> 	<p>40 Shots</p> 	<p>11: *10.6 ↘</p> <p>12: 9.9 ↘</p> <p>13: 10.0 ↗</p> <p>14: *10.5 ↗</p> <p>15: *10.5 ↘</p> <p>16: *10.2 →</p> <p>17: 9.0 →</p> <p>18: 9.2 →</p> <p>19: 8.4 →</p> <p>20: 9.2 →</p> <hr/> <p>Series 94.0</p> <p>Total 188.0</p>	<p>21: *10.7 ↘</p> <p>22: *10.3 →</p> <p>23: 9.4 ↓</p> <p>24: 9.7 ↘</p> <p>25: 9.7 →</p> <p>26: 10.0 ↑</p> <p>27: 10.1 ↘</p> <p>28: *10.9 ↘</p> <p>29: *10.2 ↗</p> <p>30: 9.7 ↗</p> <hr/> <p>Series 96.0</p> <p>Total 284.0</p>
---	---	--	---

<p>40 Shots</p> 	<p>31: *10.2 ↘</p> <p>32: 9.7 ↗</p> <p>33: 10.0 ↑</p> <p>34: 8.9 ↘</p> <p>35: 10.1 ↓</p> <p>36: 8.9 ↘</p> <p>37: 9.2 ↘</p> <p>38: 7.8 ←</p> <p>39: *10.3 →</p> <p>40: 9.9 ↗</p> <hr/> <p>Series 90.0</p> <p>Total 374.0</p>		
--	---	--	--

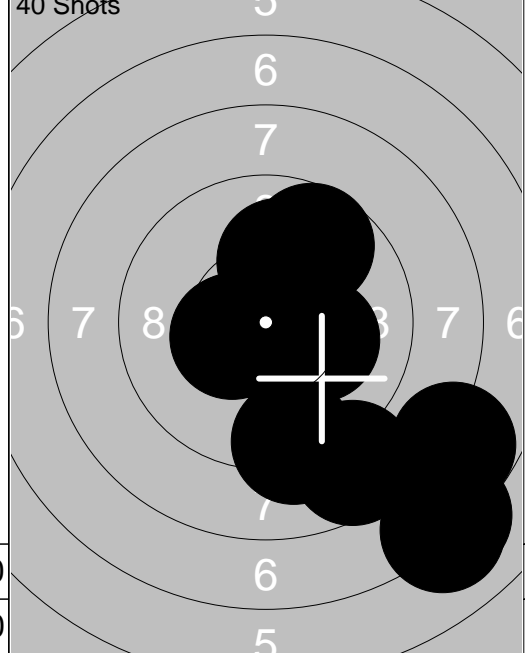
<p>Sight</p> 	<p>1: 9.4 ↑</p> <p>2: 9.1 ↑</p> <p>3: 10.1 ↙</p> <p>4: *10.8 ↘</p> <p>5: 9.4 ↖</p> <p>6: *10.5 ↓</p> <p>7: *10.7 →</p> <p>8: *10.3 ↓</p>	<p>40 Shots</p> 		<p>1: 9.7 ↖</p> <p>2: 9.9 ←</p> <p>3: *10.4 ↗</p> <p>4: 9.6 ↖</p> <p>5: 9.9 ↗</p> <p>6: *10.6 ↘</p> <p>7: *10.8 ↓</p> <p>8: 9.2 ←</p> <p>9: 9.8 ←</p> <p>10: *10.3 ↗</p>	
Series 77.0				Series 94.0	
Total 0.0				Total 94.0	

<p>40 Shots</p> 	<p>11: 9.2 ↑</p> <p>12: 10.0 ↓</p> <p>13: 8.7 ↖</p> <p>14: *10.3 ←</p> <p>15: 8.0 ←</p> <p>16: 10.0 ↖</p> <p>17: *10.4 ←</p> <p>18: 9.8 ↗</p> <p>19: 10.0 ↓</p> <p>20: *10.2 ↘</p>	<p>40 Shots</p> 		<p>21: 10.0 ↗</p> <p>22: 10.0 ↗</p> <p>23: *10.2 ↓</p> <p>24: 9.9 ↑</p> <p>25: *10.5 ↗</p> <p>26: 9.6 ←</p> <p>27: 7.2 ←</p> <p>28: 9.5 ↓</p> <p>29: *10.6 ↗</p> <p>30: *10.2 ↗</p>	
Series 94.0				Series 94.0	
Total 188.0				Total 282.0	

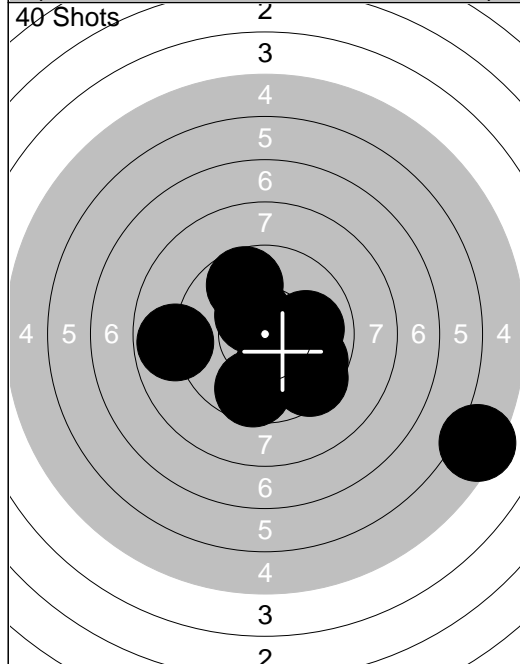
<p>40 Shots</p> 	<p>31: 9.8 ↑</p> <p>32: 10.0 →</p> <p>33: 9.6 →</p> <p>34: 10.0 ↓</p> <p>35: *10.5 ↘</p> <p>36: 9.1 ↓</p> <p>37: *10.8 ↘</p> <p>38: *10.2 ←</p> <p>39: 9.4 ↓</p> <p>40: 9.3 ↓</p>			
Series 95.0				
Total 377.0				



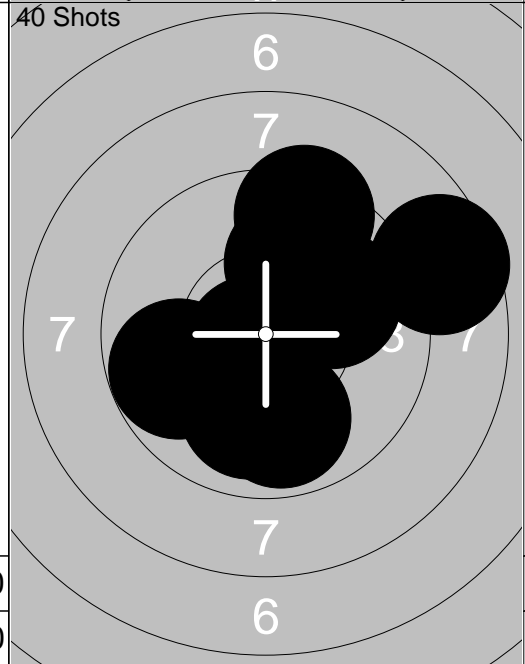
1:	8.4 ↘
2:	*10.6 ↘
3:	9.8 ↑
4:	9.7 ↓
5:	9.5 ↓
6:	*10.2 ↓
7:	9.6 ↓
8:	*10.5 ↓
9:	*10.6 →
10:	*10.2 ↑
<b>Series 94.0</b>	
<b>Total 0.0</b>	



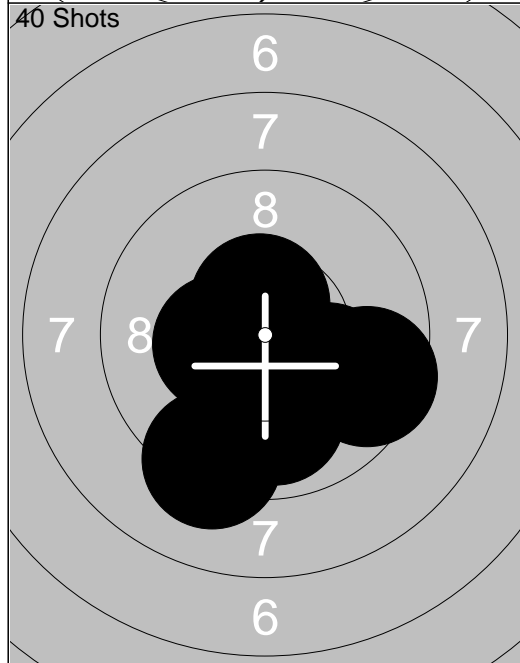
1:	*10.4 ↘
2:	7.8 ↘
3:	9.7 ↗
4:	10.1 ↑
5:	7.1 ↓
6:	*10.5 ↘
7:	8.6 ↓
8:	*10.2 →
9:	9.2 ↓
10:	7.2 ↓
<b>Series 87.0</b>	
<b>Total 87.0</b>	



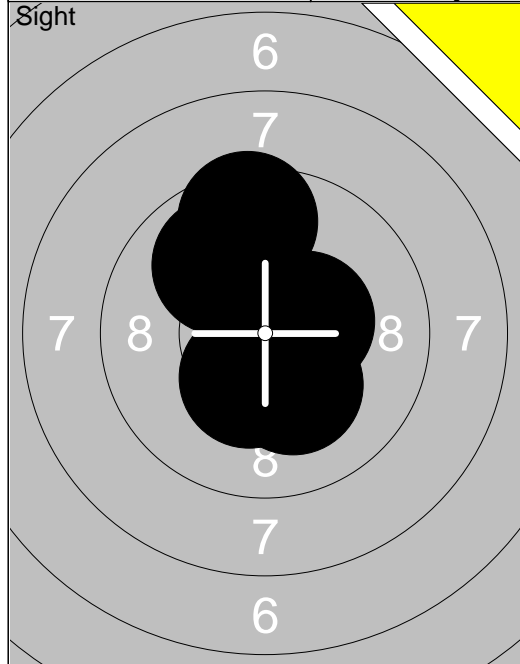
11:	10.1 ↘
12:	9.5 ↘
13:	10.1 ↓
14:	9.7 ↗
15:	8.8 ←
16:	10.0 →
17:	5.4 →
18:	9.6 ↓
19:	*10.4 ↗
20:	9.7 ↘
<b>Series 89.0</b>	
<b>Total 176.0</b>	



21:	9.9 ↓
22:	*10.7 ↘
23:	9.4 ↑
24:	10.0 →
25:	8.6 →
26:	10.0 ↓
27:	9.8 ←
28:	10.0 ↑
29:	*10.2 ↗
30:	*10.5 ↘
<b>Series 95.0</b>	
<b>Total 271.0</b>	

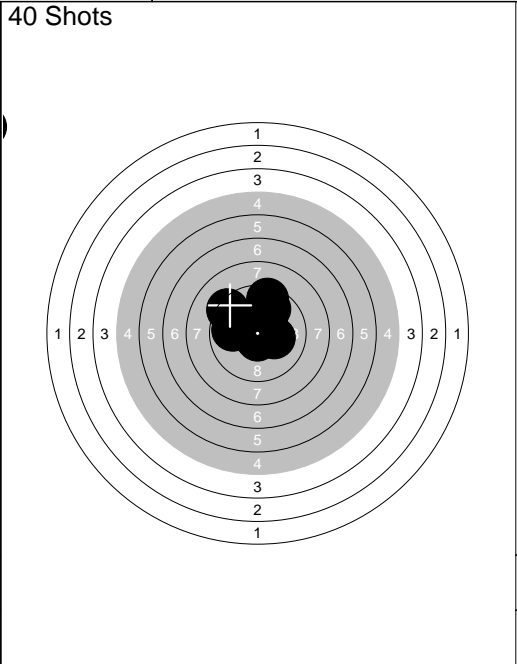


31:	10.0 ↘
32:	*10.3 ↘
33:	*10.5 ↑
34:	*10.6 ↘
35:	10.1 ↓
36:	*10.4 ←
37:	9.9 ↓
38:	9.5 →
39:	9.2 ↓
40:	*10.2 ↓
<b>Series 97.0</b>	
<b>Total 368.0</b>	

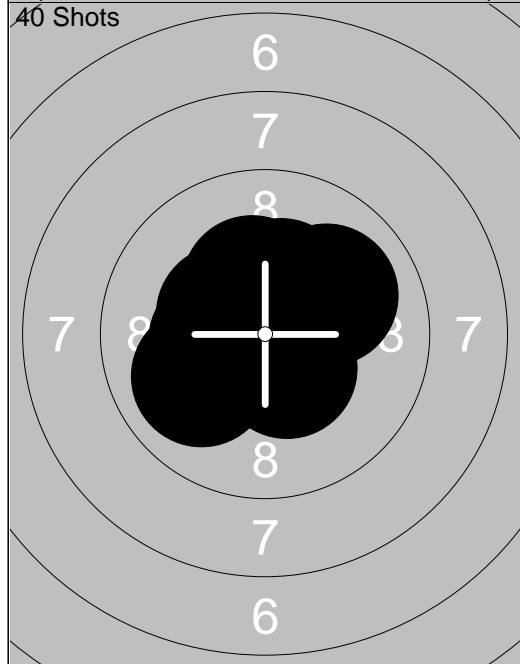


40 Shots

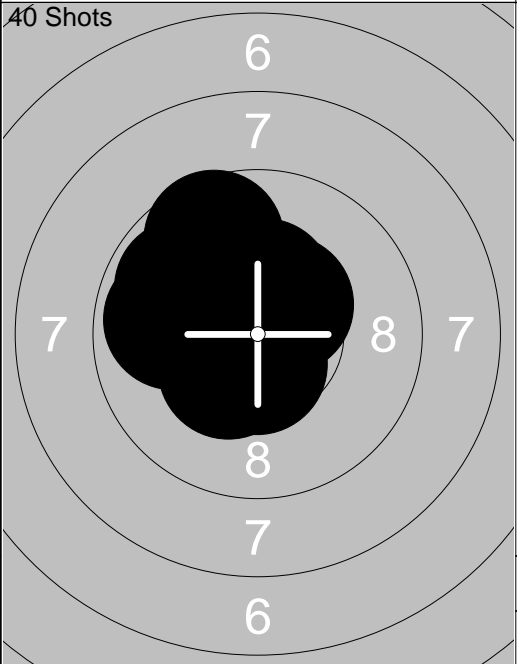
1:	*10.3	↘
2:	*10.2	↘
3:	9.5	↑
4:	9.9	↖
5:	*10.4	→
<b>Series 48.0</b>		
<b>Total 0.0</b>		



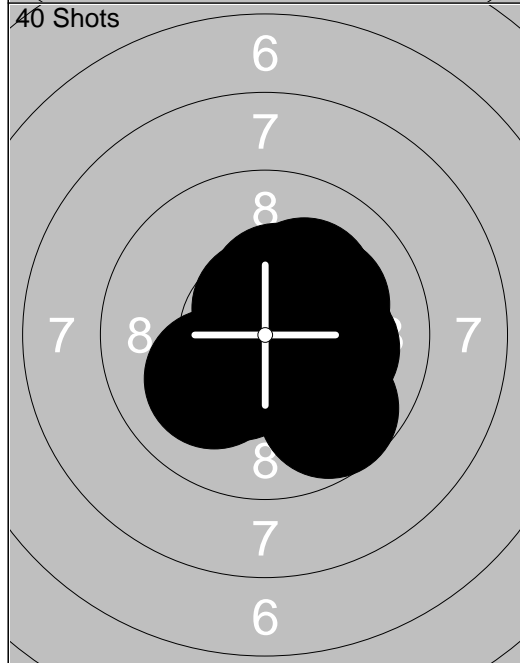
1:	9.8	↗
2:	0.0	↖
3:	*10.7	↘
4:	*10.4	↗
5:	*10.4	↖
6:	9.9	←
7:	9.3	↖
8:	*10.5	↗
9:	9.4	↑
10:	*10.2	→
<b>Series 86.0</b>		
<b>Total 86.0</b>		




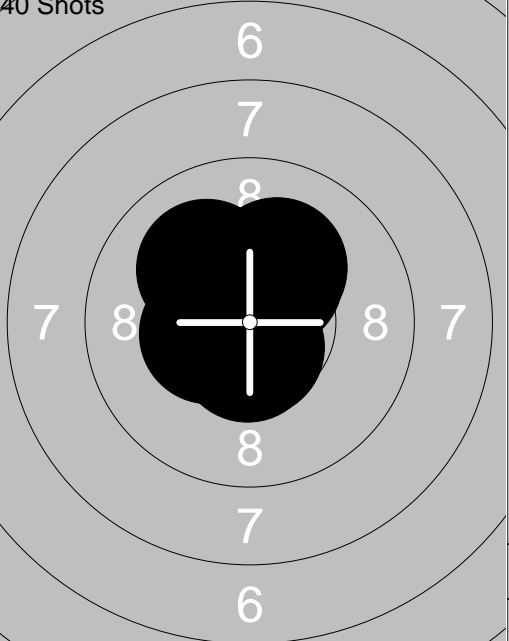
11:	10.0	↗
12:	*10.3	↑
13:	10.0	↗
14:	*10.6	↘
15:	*10.7	↘
16:	*10.4	←
17:	10.0	↖
18:	*10.4	↘
19:	*10.3	↑
20:	*10.4	←
<b>Series 100.0</b>		
<b>Total 186.0</b>		




21:	*10.5	↗
22:	9.9	←
23:	*10.6	↘
24:	*10.5	←
25:	*10.4	↑
26:	9.6	↖
27:	9.9	↖
28:	*10.4	↑
29:	*10.4	↘
30:	9.8	↖
<b>Series 96.0</b>		
<b>Total 282.0</b>		

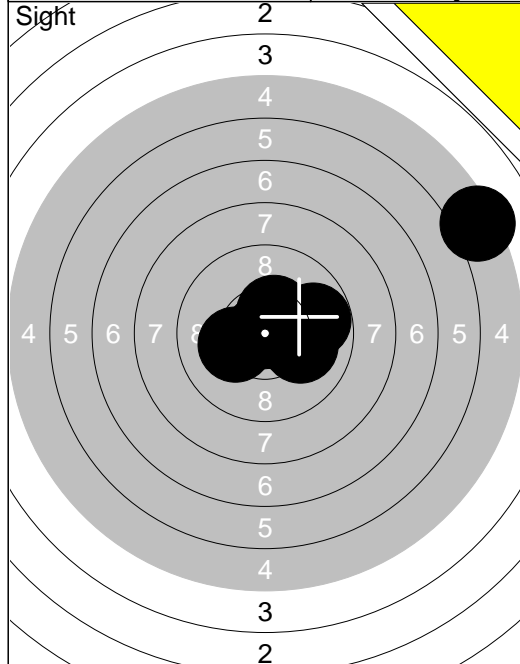


31:	10.1	↖
32:	*10.4	↘
33:	*10.8	↘
34:	9.7	↘
35:	*10.2	↗
36:	*10.4	↑
37:	*10.6	↑
38:	*10.2	↗
39:	*10.2	→
40:	10.1	→
<b>Series 99.0</b>		
<b>Total 381.0</b>		

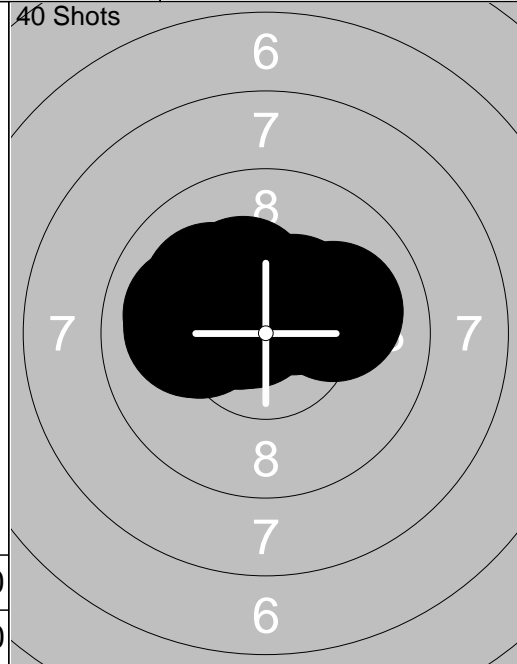
<p>Sight</p> 	<p>40 Shots</p> 	<table style="width:100%; border-collapse: collapse;"> <tr><td>1: 8.7 ↘</td><td>1: *10.3 ↗</td></tr> <tr><td>2: 9.0 ↘</td><td>2: *10.6 ↓</td></tr> <tr><td>3: 8.1 ↓</td><td>3: *10.6 ↓</td></tr> <tr><td>4: 9.8 →</td><td>4: *10.2 ↗</td></tr> <tr><td>5: *10.4 ↘</td><td>5: *10.4 ↑</td></tr> <tr><td>6: 10.1 ↓</td><td>6: *10.4 ←</td></tr> <tr><td>7: *10.5 ↘</td><td>7: *10.7 ←</td></tr> <tr><td>8: *10.4 ←</td><td>8: 10.1 ↖</td></tr> <tr><td>9: *10.9 ↓</td><td>9: *10.6 ↑</td></tr> <tr><td></td><td>10: *10.4 ↗</td></tr> <tr><td colspan="2" style="border-top: 1px solid black;">Series 84.0</td><td colspan="2" style="border-top: 1px solid black;">Series 100.0</td></tr> <tr><td colspan="2" style="border-top: 1px solid black;">Total 0.0</td><td colspan="2" style="border-top: 1px solid black;">Total 100.0</td></tr> </table>	1: 8.7 ↘	1: *10.3 ↗	2: 9.0 ↘	2: *10.6 ↓	3: 8.1 ↓	3: *10.6 ↓	4: 9.8 →	4: *10.2 ↗	5: *10.4 ↘	5: *10.4 ↑	6: 10.1 ↓	6: *10.4 ←	7: *10.5 ↘	7: *10.7 ←	8: *10.4 ←	8: 10.1 ↖	9: *10.9 ↓	9: *10.6 ↑		10: *10.4 ↗	Series 84.0		Series 100.0		Total 0.0		Total 100.0	
1: 8.7 ↘	1: *10.3 ↗																													
2: 9.0 ↘	2: *10.6 ↓																													
3: 8.1 ↓	3: *10.6 ↓																													
4: 9.8 →	4: *10.2 ↗																													
5: *10.4 ↘	5: *10.4 ↑																													
6: 10.1 ↓	6: *10.4 ←																													
7: *10.5 ↘	7: *10.7 ←																													
8: *10.4 ←	8: 10.1 ↖																													
9: *10.9 ↓	9: *10.6 ↑																													
	10: *10.4 ↗																													
Series 84.0		Series 100.0																												
Total 0.0		Total 100.0																												

<p>40 Shots</p> 	<p>40 Shots</p> 	<table style="width:100%; border-collapse: collapse;"> <tr><td>11: *10.9 →</td><td>21: *10.4 ↖</td></tr> <tr><td>12: *10.5 ↑</td><td>22: *10.4 ↑</td></tr> <tr><td>13: *10.8 ↖</td><td>23: *10.3 ↑</td></tr> <tr><td>14: *10.8 ↘</td><td>24: 9.8 ↑</td></tr> <tr><td>15: *10.8 ↑</td><td>25: *10.8 ↖</td></tr> <tr><td>16: *10.5 ↘</td><td>26: *10.3 ↖</td></tr> <tr><td>17: *10.4 ↑</td><td>27: *10.5 ↗</td></tr> <tr><td>18: *10.6 →</td><td>28: 9.9 ↖</td></tr> <tr><td>19: 10.0 ↑</td><td>29: *10.5 ↑</td></tr> <tr><td>20: *10.8 ↓</td><td>30: *10.6 ↘</td></tr> <tr><td colspan="2" style="border-top: 1px solid black;">Series 100.0</td><td colspan="2" style="border-top: 1px solid black;">Series 98.0</td></tr> <tr><td colspan="2" style="border-top: 1px solid black;">Total 200.0</td><td colspan="2" style="border-top: 1px solid black;">Total 298.0</td></tr> </table>	11: *10.9 →	21: *10.4 ↖	12: *10.5 ↑	22: *10.4 ↑	13: *10.8 ↖	23: *10.3 ↑	14: *10.8 ↘	24: 9.8 ↑	15: *10.8 ↑	25: *10.8 ↖	16: *10.5 ↘	26: *10.3 ↖	17: *10.4 ↑	27: *10.5 ↗	18: *10.6 →	28: 9.9 ↖	19: 10.0 ↑	29: *10.5 ↑	20: *10.8 ↓	30: *10.6 ↘	Series 100.0		Series 98.0		Total 200.0		Total 298.0	
11: *10.9 →	21: *10.4 ↖																													
12: *10.5 ↑	22: *10.4 ↑																													
13: *10.8 ↖	23: *10.3 ↑																													
14: *10.8 ↘	24: 9.8 ↑																													
15: *10.8 ↑	25: *10.8 ↖																													
16: *10.5 ↘	26: *10.3 ↖																													
17: *10.4 ↑	27: *10.5 ↗																													
18: *10.6 →	28: 9.9 ↖																													
19: 10.0 ↑	29: *10.5 ↑																													
20: *10.8 ↓	30: *10.6 ↘																													
Series 100.0		Series 98.0																												
Total 200.0		Total 298.0																												

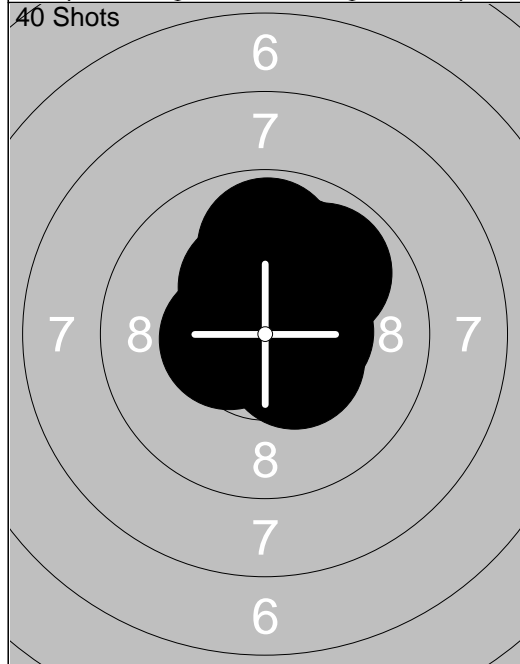
<p>40 Shots</p> 	<table style="width:100%; border-collapse: collapse;"> <tr><td>31: *10.6 ↗</td></tr> <tr><td>32: *10.5 ↖</td></tr> <tr><td>33: *10.8 ↗</td></tr> <tr><td>34: *10.3 ↖</td></tr> <tr><td>35: 10.0 ↑</td></tr> <tr><td>36: *10.2 ↑</td></tr> <tr><td>37: *10.6 ↓</td></tr> <tr><td>38: *10.7 ↑</td></tr> <tr><td>39: *10.4 ←</td></tr> <tr><td>40: 9.8 →</td></tr> <tr><td colspan="2" style="border-top: 1px solid black;">Series 99.0</td></tr> <tr><td colspan="2" style="border-top: 1px solid black;">Total 397.0</td></tr> </table>	31: *10.6 ↗	32: *10.5 ↖	33: *10.8 ↗	34: *10.3 ↖	35: 10.0 ↑	36: *10.2 ↑	37: *10.6 ↓	38: *10.7 ↑	39: *10.4 ←	40: 9.8 →	Series 99.0		Total 397.0		
31: *10.6 ↗																
32: *10.5 ↖																
33: *10.8 ↗																
34: *10.3 ↖																
35: 10.0 ↑																
36: *10.2 ↑																
37: *10.6 ↓																
38: *10.7 ↑																
39: *10.4 ←																
40: 9.8 →																
Series 99.0																
Total 397.0																



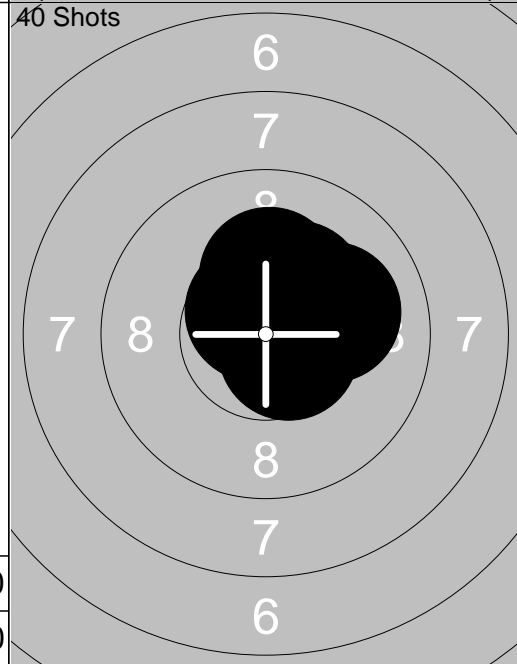
1: 5.3 →
2: 9.8 →
3: *10.4 ↗
4: 10.1 →
5: *10.2 ↘
6: *10.9 ↘
7: *10.6 →
<b>Series 64.0</b>
<b>Total 0.0</b>



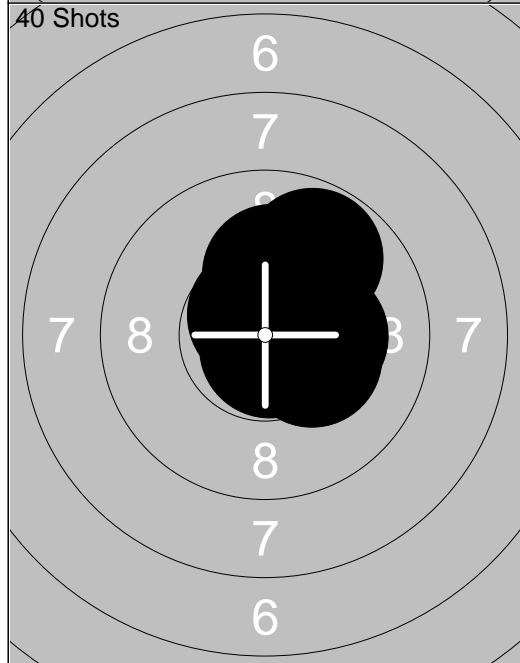
1: 10.0 →
2: *10.4 ↗
3: *10.6 ↘
4: 10.0 ←
5: *10.7 ↘
6: 10.0 ←
7: 10.1 ↘
8: *10.3 ↗
9: 10.1 ←
10: 10.1 ↘
<b>Series 100.0</b>
<b>Total 100.0</b>



11: *10.5 ←
12: *10.3 ↗
13: *10.5 →
14: *10.8 ↗
15: *10.5 ↘
16: 9.9 ↗
17: *10.8 ↘
18: 9.8 ↑
19: 10.0 ↗
20: *10.5 ↗
<b>Series 98.0</b>
<b>Total 198.0</b>

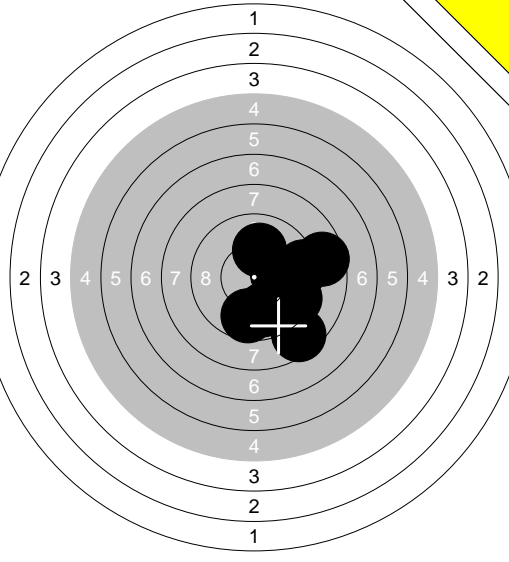
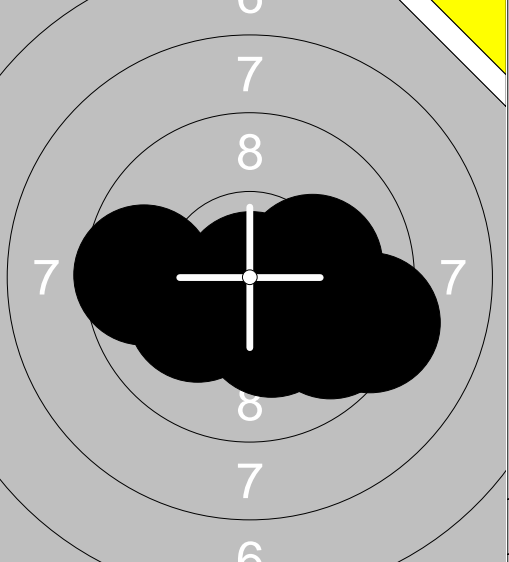



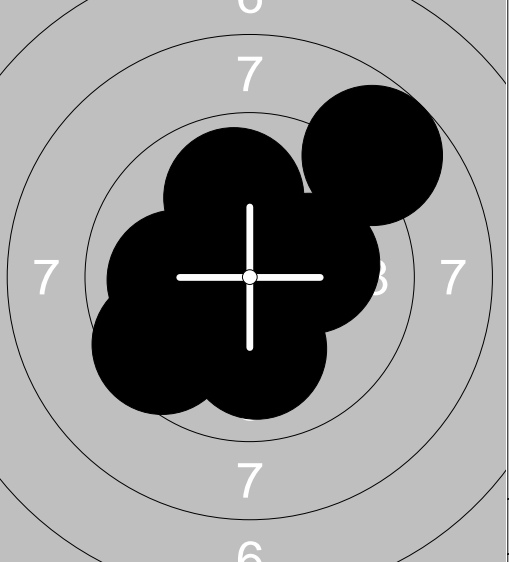
21: *10.8 ↗
22: *10.6 ↘
23: *10.6 ↘
24: *10.2 ↗
25: *10.6 ↗
26: *10.5 →
27: *10.7 ↗
28: *10.6 →
29: 10.1 →
30: *10.3 ↗
<b>Series 100.0</b>
<b>Total 298.0</b>

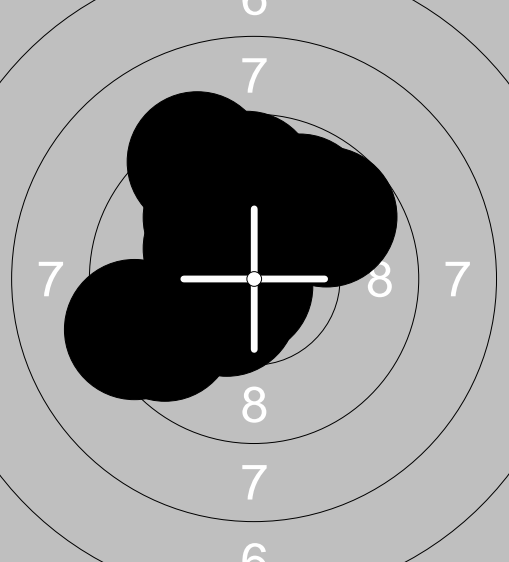
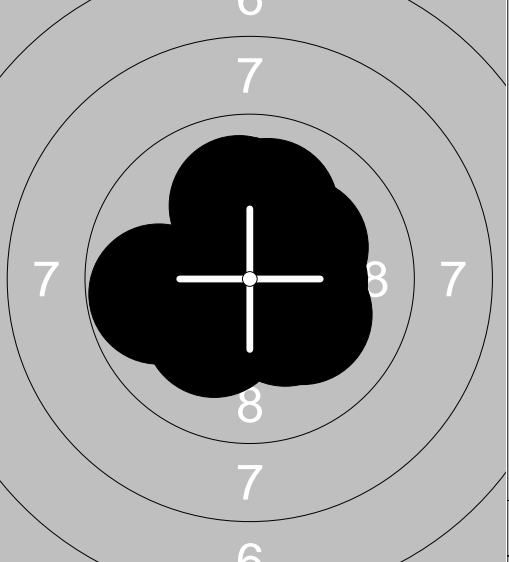


31: *10.5 ↗
32: *10.7 ↘
33: *10.3 ↘
34: *10.2 ↗
35: *10.2 ↗
36: *10.3 →
37: 9.8 ↗
38: *10.6 ↗
39: *10.7 ↗
40: *10.8 ↘
<b>Series 99.0</b>
<b>Total 397.0</b>



<p>Sight</p> 	<p>1: 8.6 →</p> <p>2: 0.0 ↓</p> <p>3: 9.8 ↓</p> <p>4: 9.3 →</p> <p>5: 10.0 →</p> <p>6: *10.2 →</p> <p>7: 9.4 →</p> <p>8: 8.5 ↓</p> <p>9: 9.7 ↓</p> <p>10: 10.0 ↑</p>	<p>Sight</p> 		<p>11: 9.3 →</p> <p>12: 9.7 →</p> <p>13: 10.1 ↙</p> <p>14: *10.9 ↓</p> <p>15: 9.6 ←</p> <p>16: 10.1 →</p> <p>17: *10.3 ↓</p>
Series 82.0				Series 67.0
Total 0.0				Total 0.0

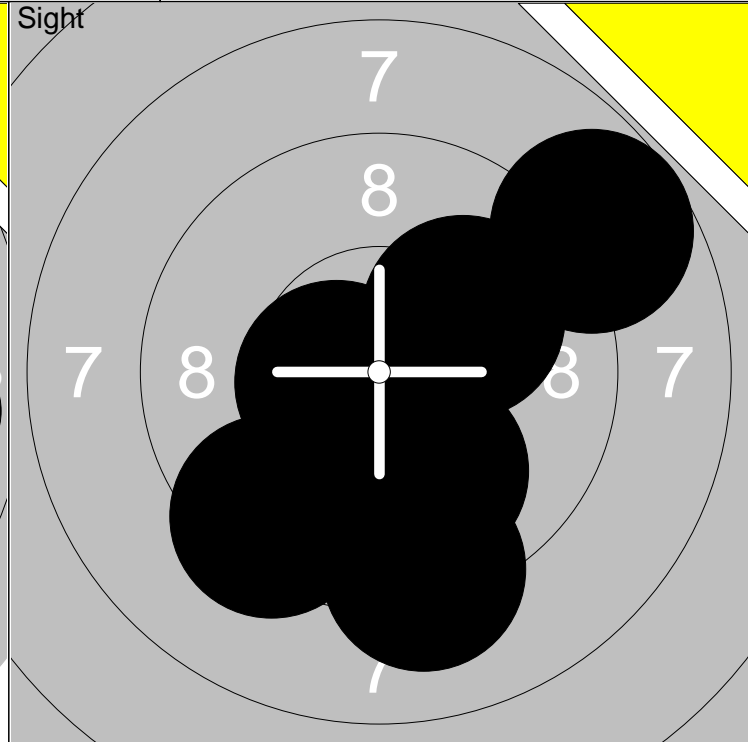
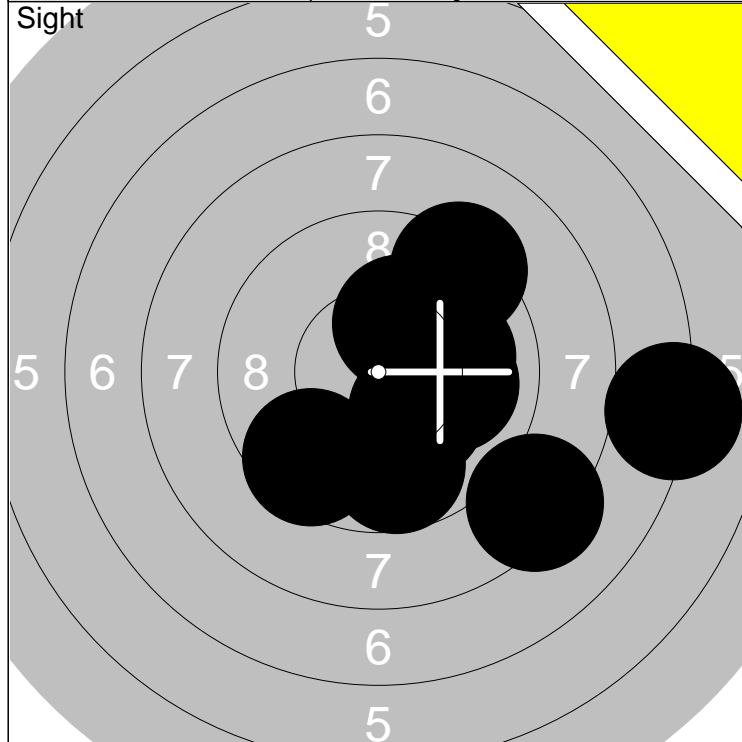
<p>40 Shots</p> 	<p>1: *10.4 ↙</p> <p>2: 9.6 ↙</p> <p>3: 9.9 ↓</p> <p>4: 9.6 ↓</p> <p>5: 9.6 ↑</p> <p>6: *10.5 ↘</p> <p>7: *10.3 →</p> <p>8: 9.3 ↙</p> <p>9: 9.7 ↓</p> <p>10: *10.5 ↙</p>	<p>40 Shots</p> 		<p>11: 9.5 ↙</p> <p>12: 10.0 ↓</p> <p>13: *10.2 →</p> <p>14: 10.0 ←</p> <p>15: 8.7 ↗</p> <p>16: *10.4 ↙</p> <p>17: 10.1 ←</p> <p>18: 10.0 ↙</p> <p>19: *10.7 ↗</p> <p>20: 9.9 ↑</p>
Series 94.0				Series 96.0
Total 94.0				Total 190.0

<p>40 Shots</p> 	<p>21: 9.7 ↗</p> <p>22: 9.6 ↙</p> <p>23: 10.0 ↗</p> <p>24: 9.8 ↗</p> <p>25: 9.3 ↙</p> <p>26: *10.5 ↙</p> <p>27: 9.7 ↑</p> <p>28: *10.8 ↙</p> <p>29: *10.3 ↘</p> <p>30: 9.3 ↑</p>	<p>40 Shots</p> 		<p>31: 10.0 ↑</p> <p>32: *10.2 ↙</p> <p>33: 9.8 ←</p> <p>34: *10.3 →</p> <p>35: *10.2 ↗</p> <p>36: 10.0 ↑</p> <p>37: 10.1 ↑</p> <p>38: 10.1 ↘</p> <p>39: *10.3 ↘</p> <p>40: *10.9 ↗</p>
Series 94.0				Series 99.0
Total 284.0				Total 383.0

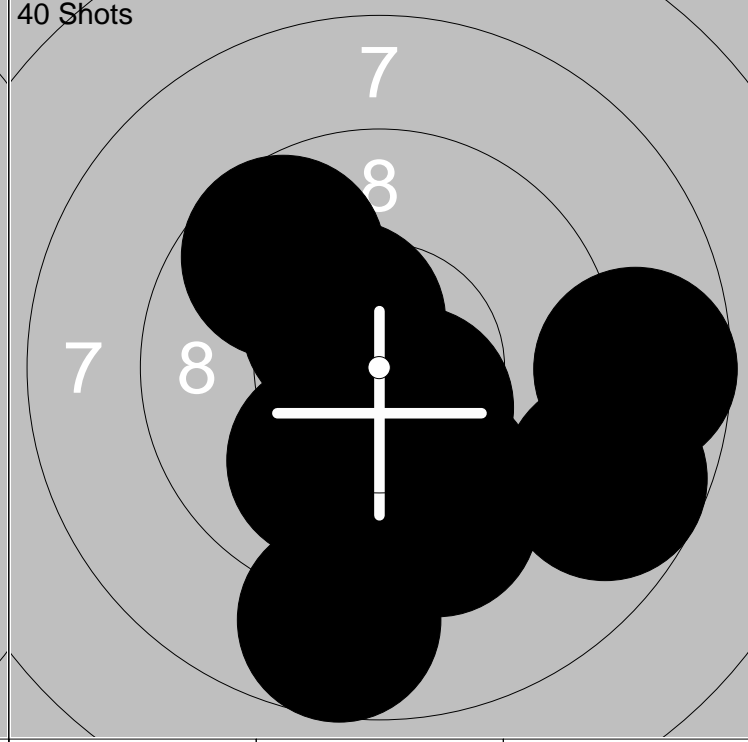
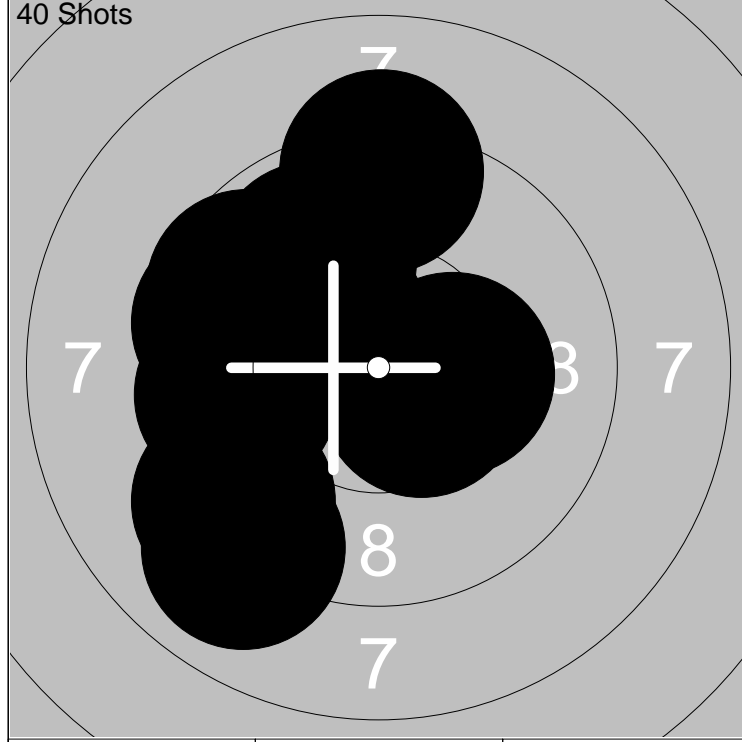
	<p>Sight</p> <p>1: 9.8 ↘ 2: 10.0 → 3: *10.5 ↘ 4: 10.0 ↘ 5: *10.6 ↑ 6: *10.2 → 7: *10.5 → 8: *10.5 ↘ 9: *10.5 ← 10: 9.6 ↘</p> <p>Series 98.0 Total 0.0</p>		<p>Sight</p> <p>11: *10.8 ↘ 12: *10.8 ←</p> <p>Series 20.0 Total 0.0</p>
--	---	--	--

	<p>40 Shots</p> <p>1: *10.8 ↑ 2: *10.3 ↘ 3: *10.7 ← 4: *10.2 ↘ 5: *10.2 ↑ 6: *10.7 ↘ 7: 10.1 ↘ 8: 9.9 ← 9: *10.5 ← 10: *10.7 ↘</p> <p>Series 99.0 Total 99.0</p>		<p>40 Shots</p> <p>11: *10.4 ↘ 12: *10.4 ↘ 13: *10.8 ↘ 14: *10.4 ← 15: 10.1 ↘ 16: *10.5 ← 17: *10.3 ↑ 18: 9.9 → 19: *10.3 ← 20: *10.7 →</p> <p>Series 99.0 Total 198.0</p>
--	--	--	--

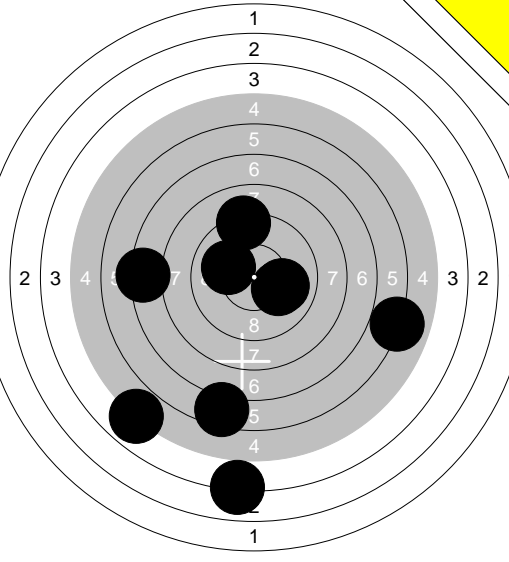
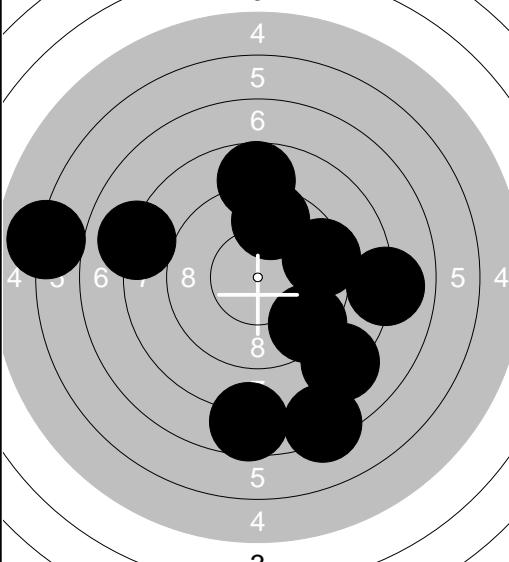
	<p>40 Shots</p> <p>21: *10.5 ↑ 22: *10.4 ← 23: *10.4 ↘ 24: *10.3 → 25: *10.5 ↑ 26: 10.1 ← 27: *10.3 ← 28: 9.5 ← 29: *10.7 ↑ 30: 9.5 ←</p> <p>Series 98.0 Total 296.0</p>		<p>40 Shots</p> <p>31: 10.1 → 32: *10.2 ↘ 33: *10.8 ↑ 34: *10.3 → 35: 10.0 ← 36: *10.3 ↘ 37: *10.4 → 38: *10.5 ← 39: *10.5 ↘ 40: 9.7 ↘</p> <p>Series 99.0 Total 395.0</p>
--	--	--	---

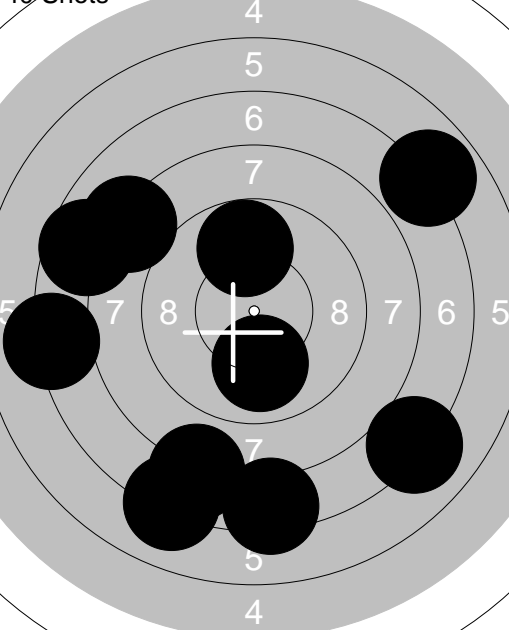
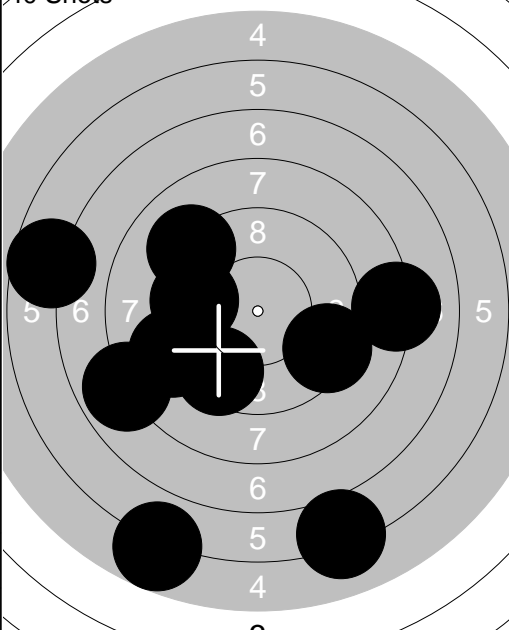


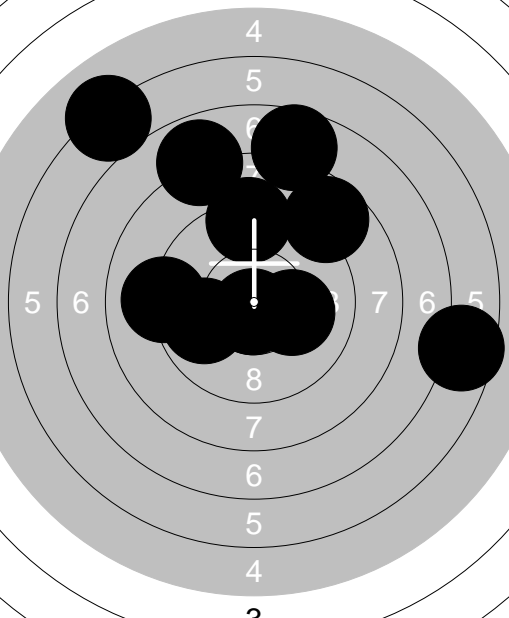
1: 8.3 ↘	6: 9.3 ↗	Series	92.0	11: 10.0 ↘	16: 10.1 ↗	Series	56.0
2: 7.1 →	7: *10.3 →			12: 8.7 ↗	13: *10.6 ←		
3: *10.3 ↗	8: *10.2 ↘	14: 9.4 ↘	15: 9.2 ↘				
4: 9.7 ↘	9: 10.0 →						
5: 9.5 ↘	10: 10.0 →						



1: 9.2 ↑	6: *10.4 ↖	Series	93.0	11: 9.7 ↖	16: 8.7 ↘	Series	91.0
2: *10.5 ↘	7: 9.7 ←			12: *10.4 ↖	17: 8.7 →		
3: 9.9 ↗	8: 9.6 ↖	13: *10.5 ↘	18: *10.5 ↘				
4: *10.3 →	9: 9.2 ↘	14: 10.0 ↘	19: 9.8 ↘				
5: 9.0 ↘	10: 9.6 ←	15: 9.6 ↘	20: 8.7 →				

<p>Sight</p> 	<p>40 Shots</p> 	<table border="1" style="width:100%; border-collapse: collapse;"> <tr><td>1: 0.0 ↓</td><td>1: 9.4 →</td></tr> <tr><td>2: 4.0 ↓</td><td>2: 8.0 →</td></tr> <tr><td>3: 4.9 ↙</td><td>3: 7.3 ↓</td></tr> <tr><td>4: 6.4 ↓</td><td>4: 9.4 ↓</td></tr> <tr><td>5: 9.1 ↑</td><td>5: 8.0 ←</td></tr> <tr><td>6: 10.1 →</td><td>6: 9.6 ↑</td></tr> <tr><td>7: 10.0 ←</td><td>7: 8.7 ↑</td></tr> <tr><td>8: 7.2 ←</td><td>8: 6.0 ←</td></tr> <tr><td>9: 6.0 →</td><td>9: 7.6 ↓</td></tr> <tr><td>10: 10.0 →</td><td>10: 8.2 ↓</td></tr> <tr><td><b>Series 66.0</b></td><td><b>Series 79.0</b></td></tr> <tr><td><b>Total 0.0</b></td><td><b>Total 79.0</b></td></tr> </table>	1: 0.0 ↓	1: 9.4 →	2: 4.0 ↓	2: 8.0 →	3: 4.9 ↙	3: 7.3 ↓	4: 6.4 ↓	4: 9.4 ↓	5: 9.1 ↑	5: 8.0 ←	6: 10.1 →	6: 9.6 ↑	7: 10.0 ←	7: 8.7 ↑	8: 7.2 ←	8: 6.0 ←	9: 6.0 →	9: 7.6 ↓	10: 10.0 →	10: 8.2 ↓	<b>Series 66.0</b>	<b>Series 79.0</b>	<b>Total 0.0</b>	<b>Total 79.0</b>
1: 0.0 ↓	1: 9.4 →																									
2: 4.0 ↓	2: 8.0 →																									
3: 4.9 ↙	3: 7.3 ↓																									
4: 6.4 ↓	4: 9.4 ↓																									
5: 9.1 ↑	5: 8.0 ←																									
6: 10.1 →	6: 9.6 ↑																									
7: 10.0 ←	7: 8.7 ↑																									
8: 7.2 ←	8: 6.0 ←																									
9: 6.0 →	9: 7.6 ↓																									
10: 10.0 →	10: 8.2 ↓																									
<b>Series 66.0</b>	<b>Series 79.0</b>																									
<b>Total 0.0</b>	<b>Total 79.0</b>																									

<p>40 Shots</p> 	<p>40 Shots</p> 	<table border="1" style="width:100%; border-collapse: collapse;"> <tr><td>11: 7.3 ↓</td><td>21: 5.7 ↓</td></tr> <tr><td>12: 7.8 ↓</td><td>22: 6.1 ↓</td></tr> <tr><td>13: 6.9 ↗</td><td>23: 9.3 →</td></tr> <tr><td>14: 10.0 ↓</td><td>24: 9.6 ←</td></tr> <tr><td>15: 9.8 ↑</td><td>25: 8.1 →</td></tr> <tr><td>16: 8.1 ←</td><td>26: 9.5 ↓</td></tr> <tr><td>17: 7.6 ←</td><td>27: 9.0 ←</td></tr> <tr><td>18: 7.1 ←</td><td>28: 7.9 ←</td></tr> <tr><td>19: 7.1 ↓</td><td>29: 9.1 ↗</td></tr> <tr><td>20: 7.1 ↓</td><td>30: 6.6 ←</td></tr> <tr><td><b>Series 75.0</b></td><td><b>Series 77.0</b></td></tr> <tr><td><b>Total 154.0</b></td><td><b>Total 231.0</b></td></tr> </table>	11: 7.3 ↓	21: 5.7 ↓	12: 7.8 ↓	22: 6.1 ↓	13: 6.9 ↗	23: 9.3 →	14: 10.0 ↓	24: 9.6 ←	15: 9.8 ↑	25: 8.1 →	16: 8.1 ←	26: 9.5 ↓	17: 7.6 ←	27: 9.0 ←	18: 7.1 ←	28: 7.9 ←	19: 7.1 ↓	29: 9.1 ↗	20: 7.1 ↓	30: 6.6 ←	<b>Series 75.0</b>	<b>Series 77.0</b>	<b>Total 154.0</b>	<b>Total 231.0</b>
11: 7.3 ↓	21: 5.7 ↓																									
12: 7.8 ↓	22: 6.1 ↓																									
13: 6.9 ↗	23: 9.3 →																									
14: 10.0 ↓	24: 9.6 ←																									
15: 9.8 ↑	25: 8.1 →																									
16: 8.1 ←	26: 9.5 ↓																									
17: 7.6 ←	27: 9.0 ←																									
18: 7.1 ←	28: 7.9 ←																									
19: 7.1 ↓	29: 9.1 ↗																									
20: 7.1 ↓	30: 6.6 ←																									
<b>Series 75.0</b>	<b>Series 77.0</b>																									
<b>Total 154.0</b>	<b>Total 231.0</b>																									

<p>40 Shots</p> 	<table border="1" style="width:100%; border-collapse: collapse;"> <tr><td>31: 8.7 ↗</td></tr> <tr><td>32: 6.1 ↗</td></tr> <tr><td>33: 7.6 ↑</td></tr> <tr><td>34: 10.1 →</td></tr> <tr><td>35: 9.2 ↑</td></tr> <tr><td>36: 9.8 ←</td></tr> <tr><td>37: 9.1 ←</td></tr> <tr><td>38: 6.5 →</td></tr> <tr><td>39: *10.7 ↓</td></tr> <tr><td>40: 7.8 ↑</td></tr> <tr><td><b>Series 81.0</b></td></tr> <tr><td><b>Total 312.0</b></td></tr> </table>	31: 8.7 ↗	32: 6.1 ↗	33: 7.6 ↑	34: 10.1 →	35: 9.2 ↑	36: 9.8 ←	37: 9.1 ←	38: 6.5 →	39: *10.7 ↓	40: 7.8 ↑	<b>Series 81.0</b>	<b>Total 312.0</b>	
31: 8.7 ↗														
32: 6.1 ↗														
33: 7.6 ↑														
34: 10.1 →														
35: 9.2 ↑														
36: 9.8 ←														
37: 9.1 ←														
38: 6.5 →														
39: *10.7 ↓														
40: 7.8 ↑														
<b>Series 81.0</b>														
<b>Total 312.0</b>														