

S

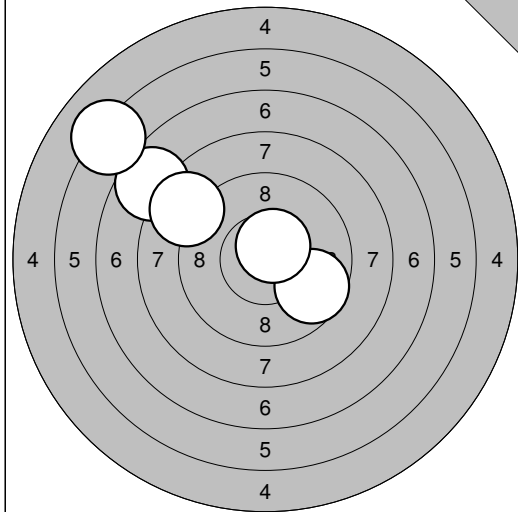
Umeå

2013-04-20

UME-Kulan 2013

Umeå skytteallians

Sight

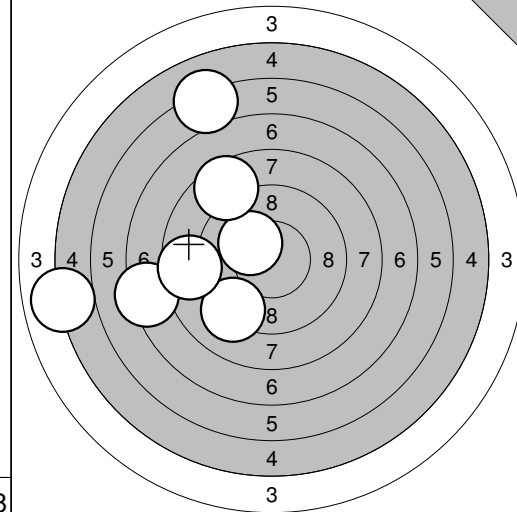


1: 0,0 ↗  
 2: 0,0 →  
 3: 0,0 →  
 4: 0,0 →  
 5: 0,0 →  
 6: 9,6 ↘  
 7: 7,7 ↗  
 8: 10,6\* ↗

Serie 42,8

Totalt 0,0

Sight

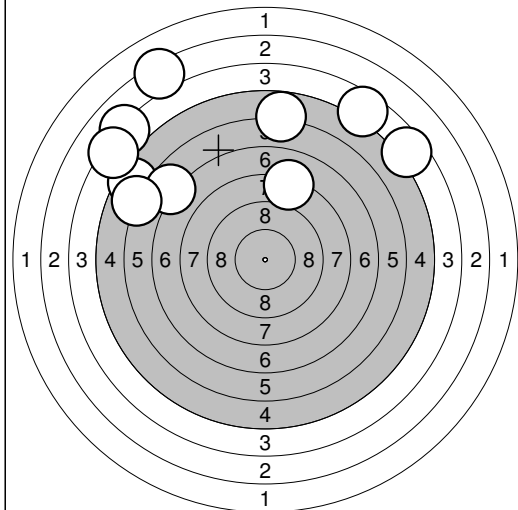


11: 9,2 ↘  
 12: 5,0 ←  
 13: 7,3 ←  
 14: 10,2\* ↗  
 15: 8,6 ↗  
 16: 6,2 ↗  
 17: 8,6 ←

Serie 55,1

Totalt 0,0

60 shot

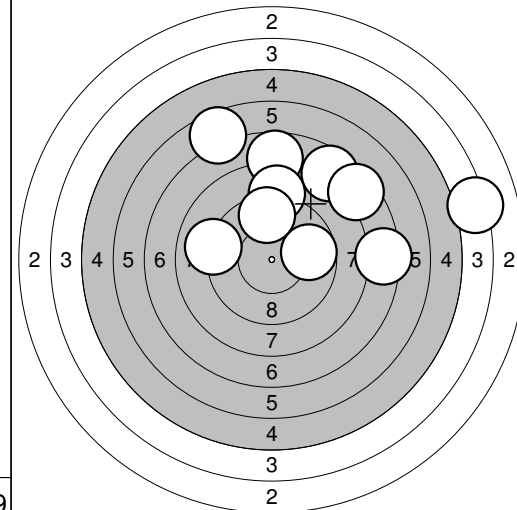


1: 5,5 ↗  
 2: 6,7 ↗  
 3: 5,9 ↗  
 4: 4,1 ↗  
 5: 4,3 ↗  
 6: 3,3 ↗  
 7: 5,8 ↑  
 8: 4,6 ↗  
 9: 4,6 ↗  
 10: 8,1 ↑

Serie 52,9

Totalt 52,9

60 shot

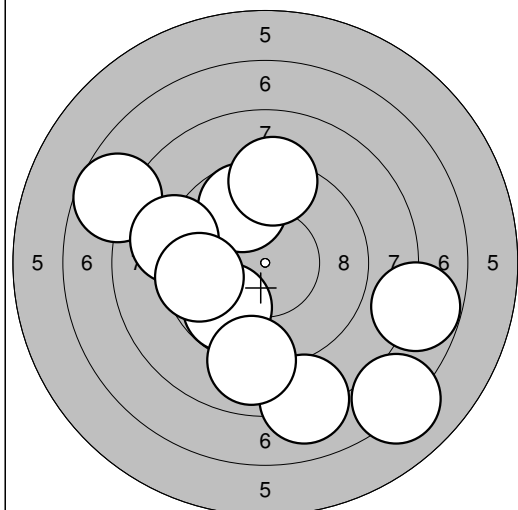


11: 7,7 ↑  
 12: 7,6 ↗  
 13: 9,0 ←  
 14: 7,5 ↗  
 15: 7,4 →  
 16: 4,2 →  
 17: 6,6 ↗  
 18: 8,8 ↑  
 19: 9,7 →  
 20: 9,5 ↑

Serie 78,0

Totalt 130,9

60 shot

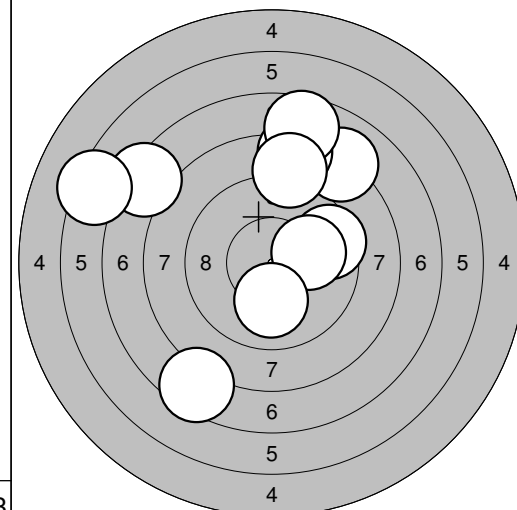


21: 9,8 ↘  
 22: 7,7 ↗  
 23: 8,1 ↘  
 24: 7,8 →  
 25: 9,8 ↗  
 26: 9,1 ←  
 27: 7,1 ↘  
 28: 9,0 ↘  
 29: 9,3 ↑  
 30: 9,6 ←

Serie 87,3

Totalt 218,2

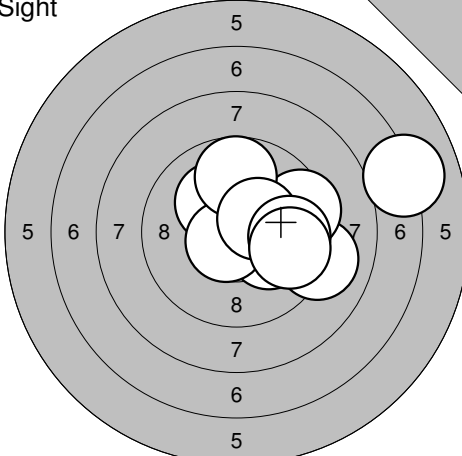
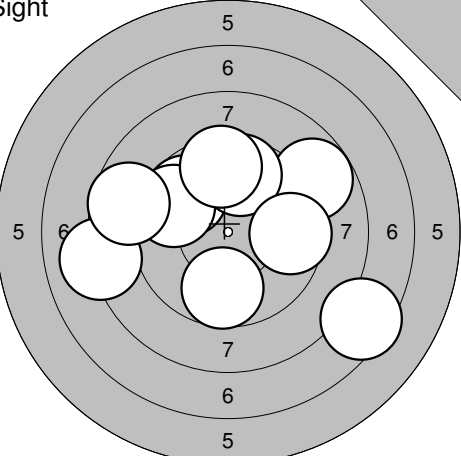
60 shot

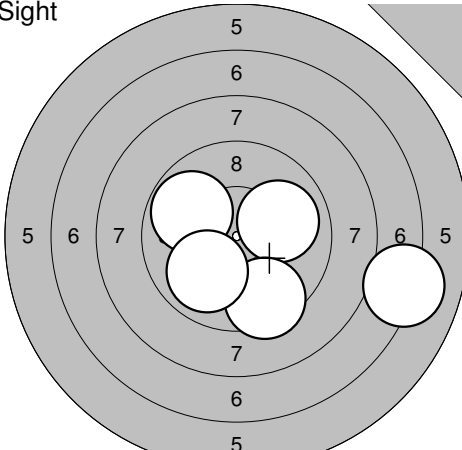
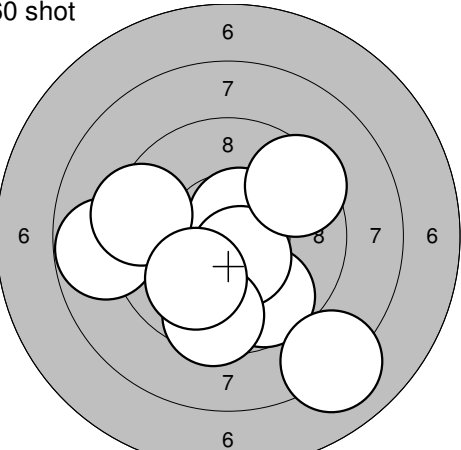


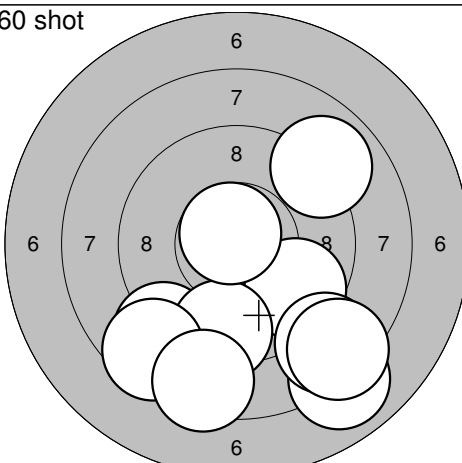
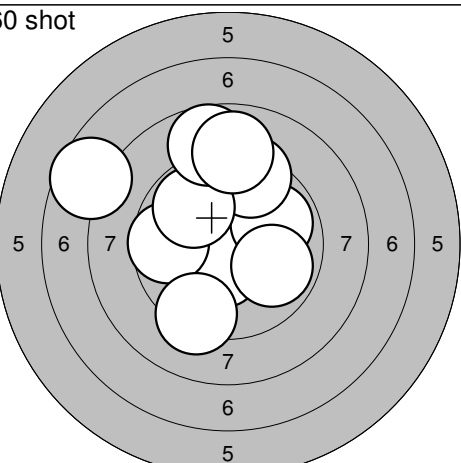
31: 9,5 →  
 32: 10,0 →  
 33: 8,1 ↗  
 34: 8,2 ↑  
 35: 7,5 ↘  
 36: 7,3 ↗  
 37: 6,3 ↗  
 38: 7,6 ↑  
 39: 10,0 ↘  
 40: 8,7 ↑

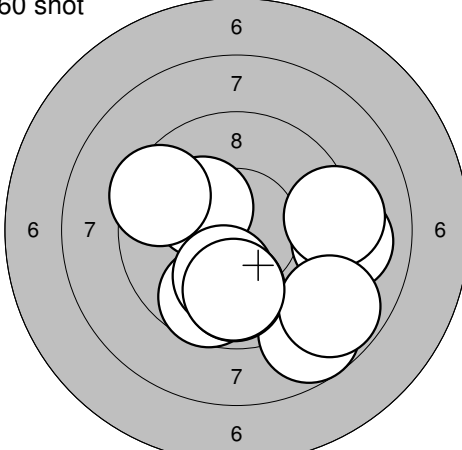
Serie 83,2

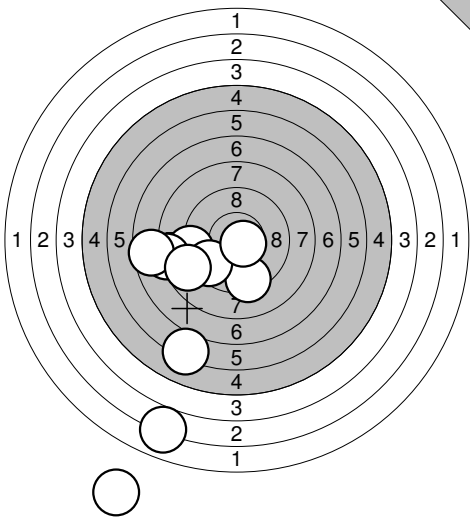
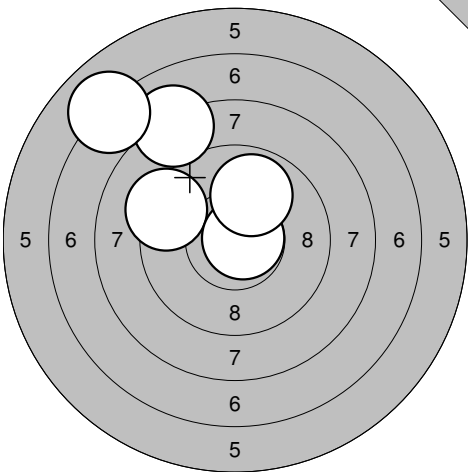
Totalt 301,4

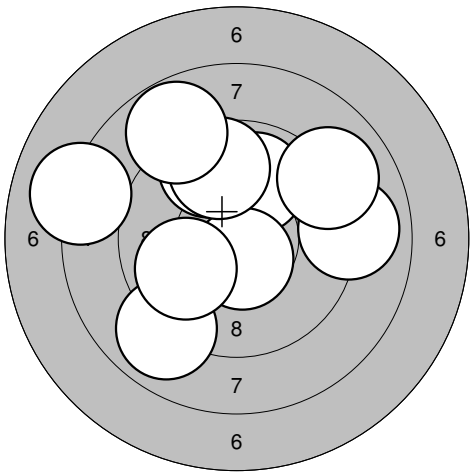
|                                                                                               |                                                                                                                                                                               |                                                                                                 |                                                                                                                                                                                 |
|-----------------------------------------------------------------------------------------------|-------------------------------------------------------------------------------------------------------------------------------------------------------------------------------|-------------------------------------------------------------------------------------------------|---------------------------------------------------------------------------------------------------------------------------------------------------------------------------------|
| <p>Sight</p>  | <p>1: 10,1 →<br/>2: 9,1 →<br/>3: 9,5 →<br/>4: 7,1 →<br/>5: 10,2* ↗<br/>6: 10,6* ↘<br/>7: 9,7 ↑<br/>8: 10,4* ↗<br/>9: 9,8 →<br/>10: 9,7 →</p> <p>Serie 92,0<br/>Totalt 0,0</p> | <p>Sight</p>  | <p>11: 8,8 ↗<br/>12: 8,1 ←<br/>13: 9,7 ↗<br/>14: 9,7 ↓<br/>15: 7,5 ↘<br/>16: 9,7 ↑<br/>17: 9,6 ↖<br/>18: 9,6 →<br/>19: 9,5 ↑<br/>20: 8,7 ←</p> <p>Serie 85,0<br/>Totalt 0,0</p> |
|-----------------------------------------------------------------------------------------------|-------------------------------------------------------------------------------------------------------------------------------------------------------------------------------|-------------------------------------------------------------------------------------------------|---------------------------------------------------------------------------------------------------------------------------------------------------------------------------------|

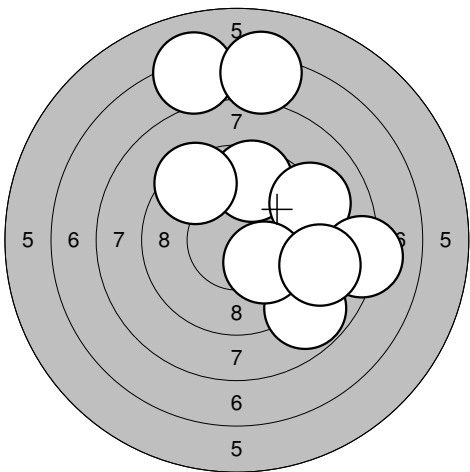
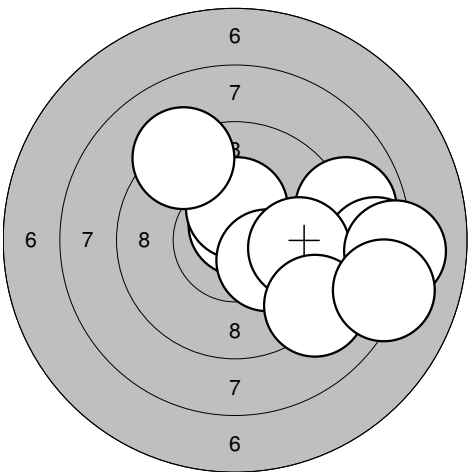
|                                                                                                |                                                                                                            |                                                                                                    |                                                                                                                                                                              |
|------------------------------------------------------------------------------------------------|------------------------------------------------------------------------------------------------------------|----------------------------------------------------------------------------------------------------|------------------------------------------------------------------------------------------------------------------------------------------------------------------------------|
| <p>Sight</p>  | <p>21: 10,0 →<br/>22: 9,4 ↓<br/>23: 9,8 ↗<br/>24: 7,1 →<br/>25: 9,9 ↓</p> <p>Serie 44,0<br/>Totalt 0,0</p> | <p>60 shot</p>  | <p>1: 8,8 ←<br/>2: 9,9 ↓<br/>3: 9,7 ↓<br/>4: 10,6* ↗<br/>5: 10,5* ↓<br/>6: 9,4 ←<br/>7: 9,5 ↓<br/>8: 8,1 ↓<br/>9: 9,5 ↗<br/>10: 10,0 ↓</p> <p>Serie 91,0<br/>Totalt 91,0</p> |
|------------------------------------------------------------------------------------------------|------------------------------------------------------------------------------------------------------------|----------------------------------------------------------------------------------------------------|------------------------------------------------------------------------------------------------------------------------------------------------------------------------------|

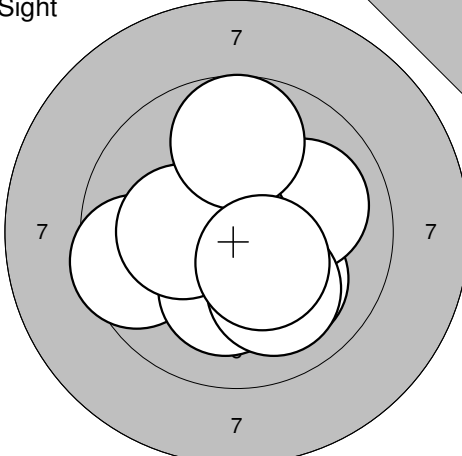
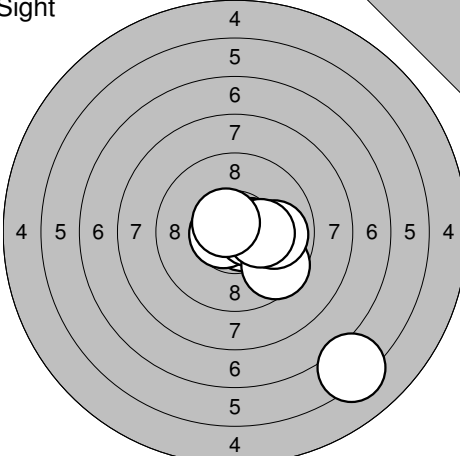
|                                                                                                   |                                                                                                                                                                                     |                                                                                                     |                                                                                                                                                                                     |
|---------------------------------------------------------------------------------------------------|-------------------------------------------------------------------------------------------------------------------------------------------------------------------------------------|-----------------------------------------------------------------------------------------------------|-------------------------------------------------------------------------------------------------------------------------------------------------------------------------------------|
| <p>60 shot</p>  | <p>11: 9,6 ↓<br/>12: 8,9 ↘<br/>13: 8,0 ↓<br/>14: 9,4 ↓<br/>15: 8,6 ↓<br/>16: 8,6 ↘<br/>17: 8,5 ↓<br/>18: 8,4 ↓<br/>19: 8,9 ↗<br/>20: 10,7* ↗</p> <p>Serie 84,0<br/>Totalt 175,0</p> | <p>60 shot</p>  | <p>21: 10,4* ↓<br/>22: 7,6 ↖<br/>23: 9,9 →<br/>24: 9,4 ↑<br/>25: 9,9 →<br/>26: 9,7 ←<br/>27: 9,9 ↗<br/>28: 8,7 ↑<br/>29: 8,9 ↑<br/>30: 9,3 ↓</p> <p>Serie 87,0<br/>Totalt 262,0</p> |
|---------------------------------------------------------------------------------------------------|-------------------------------------------------------------------------------------------------------------------------------------------------------------------------------------|-----------------------------------------------------------------------------------------------------|-------------------------------------------------------------------------------------------------------------------------------------------------------------------------------------|

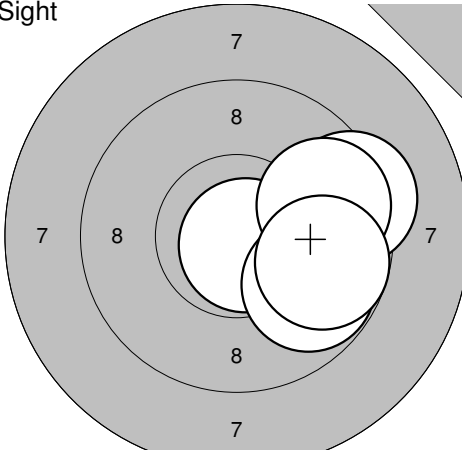
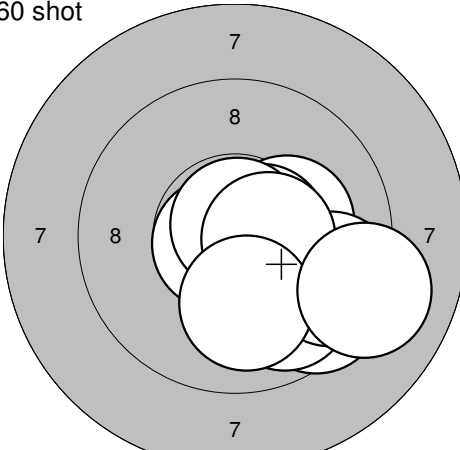
|                                                                                                   |                                                                                                                                                                                      |  |  |
|---------------------------------------------------------------------------------------------------|--------------------------------------------------------------------------------------------------------------------------------------------------------------------------------------|--|--|
| <p>60 shot</p>  | <p>31: 9,7 ↓<br/>32: 9,1 →<br/>33: 8,7 ↓<br/>34: 10,2* ↗<br/>35: 9,5 ↗<br/>36: 9,2 →<br/>37: 9,9 ↓<br/>38: 10,1 ↓<br/>39: 8,8 ↓<br/>40: 9,9 ↓</p> <p>Serie 90,0<br/>Totalt 352,0</p> |  |  |
|---------------------------------------------------------------------------------------------------|--------------------------------------------------------------------------------------------------------------------------------------------------------------------------------------|--|--|

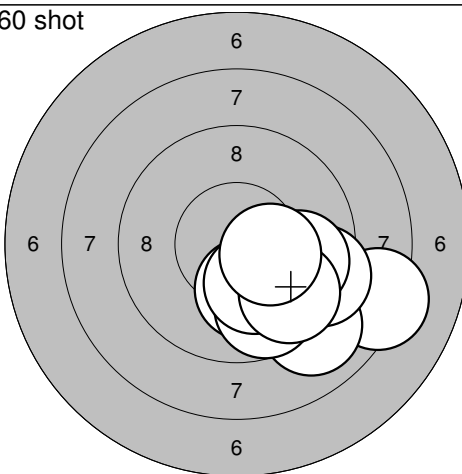
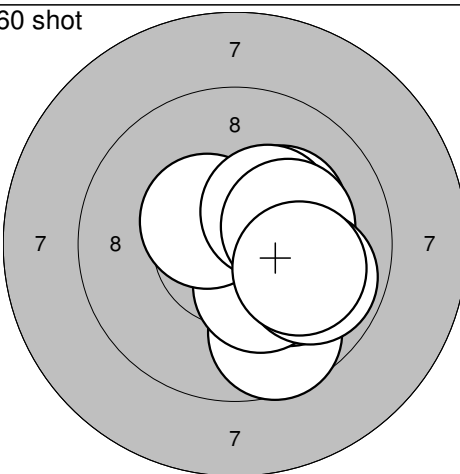
|                                                                                               |                                                                                                                                                                                                              |                                                                                                 |                                                                                                                                  |
|-----------------------------------------------------------------------------------------------|--------------------------------------------------------------------------------------------------------------------------------------------------------------------------------------------------------------|-------------------------------------------------------------------------------------------------|----------------------------------------------------------------------------------------------------------------------------------|
| <p>Sight</p>  | <p>1: 0,0 ↘</p> <p>2: 6,1 ↘</p> <p>3: 3,0 ↘</p> <p>4: 9,1 ←</p> <p>5: 8,1 ←</p> <p>6: 7,6 ←</p> <p>7: 9,3 ↘</p> <p>8: 9,5 ↘</p> <p>9: 10,6* →</p> <p>10: 8,8 ↙</p> <hr/> <p>Serie 69,0</p> <p>Totalt 0,0</p> | <p>Sight</p>  | <p>11: 9,3 ↙</p> <p>12: 8,1 ↗</p> <p>13: 10,8* →</p> <p>14: 7,0 ↗</p> <p>15: 9,9 ↗</p> <hr/> <p>Serie 43,0</p> <p>Totalt 0,0</p> |
|-----------------------------------------------------------------------------------------------|--------------------------------------------------------------------------------------------------------------------------------------------------------------------------------------------------------------|-------------------------------------------------------------------------------------------------|----------------------------------------------------------------------------------------------------------------------------------|

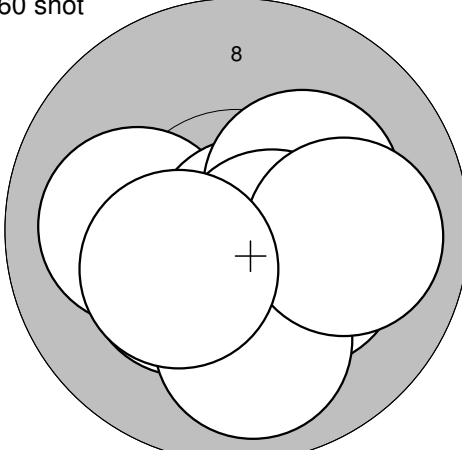
|                                                                                                  |                                                                                                                                                                                                               |                                                                                                    |                                                                                                                                                                                                                          |
|--------------------------------------------------------------------------------------------------|---------------------------------------------------------------------------------------------------------------------------------------------------------------------------------------------------------------|----------------------------------------------------------------------------------------------------|--------------------------------------------------------------------------------------------------------------------------------------------------------------------------------------------------------------------------|
| <p>60 shot</p>  | <p>1: 9,9 ↗</p> <p>2: 9,6 ↗</p> <p>3: 9,0 →</p> <p>4: 8,9 ↘</p> <p>5: 8,1 ←</p> <p>6: 9,0 →</p> <p>7: 10,6* ↘</p> <p>8: 9,9 ↙</p> <p>9: 9,7 ↗</p> <p>10: 8,8 ↗</p> <hr/> <p>Serie 88,0</p> <p>Totalt 88,0</p> | <p>60 shot</p>  | <p>11: 10,7* ↙</p> <p>12: 7,3 ↗</p> <p>13: 8,3 →</p> <p>14: 8,5 ↗</p> <p>15: 8,2 →</p> <p>16: 7,9 ↙</p> <p>17: 9,5 ↗</p> <p>18: 7,7 ↗</p> <p>19: 10,0 ↗</p> <p>20: 9,2 →</p> <hr/> <p>Serie 83,0</p> <p>Totalt 171,0</p> |
|--------------------------------------------------------------------------------------------------|---------------------------------------------------------------------------------------------------------------------------------------------------------------------------------------------------------------|----------------------------------------------------------------------------------------------------|--------------------------------------------------------------------------------------------------------------------------------------------------------------------------------------------------------------------------|

|                                                                                                   |                                                                                                                                                                                                                         |                                                                                                     |                                                                                                                                                                                                                             |
|---------------------------------------------------------------------------------------------------|-------------------------------------------------------------------------------------------------------------------------------------------------------------------------------------------------------------------------|-----------------------------------------------------------------------------------------------------|-----------------------------------------------------------------------------------------------------------------------------------------------------------------------------------------------------------------------------|
| <p>60 shot</p>  | <p>21: 9,6 ↗</p> <p>22: 7,2 ↗</p> <p>23: 9,1 →</p> <p>24: 7,2 ↗</p> <p>25: 9,3 →</p> <p>26: 8,8 ↘</p> <p>27: 8,2 →</p> <p>28: 9,4 ↗</p> <p>29: 10,2* ↘</p> <p>30: 9,0 →</p> <hr/> <p>Serie 85,0</p> <p>Totalt 256,0</p> | <p>60 shot</p>  | <p>31: 8,9 →</p> <p>32: 8,5 →</p> <p>33: 10,7* ↗</p> <p>34: 10,4* ↗</p> <p>35: 10,3* ↘</p> <p>36: 9,8 →</p> <p>37: 9,1 ↘</p> <p>38: 8,1 →</p> <p>39: 8,2 →</p> <p>40: 9,2 ↗</p> <hr/> <p>Serie 89,0</p> <p>Totalt 345,0</p> |
|---------------------------------------------------------------------------------------------------|-------------------------------------------------------------------------------------------------------------------------------------------------------------------------------------------------------------------------|-----------------------------------------------------------------------------------------------------|-----------------------------------------------------------------------------------------------------------------------------------------------------------------------------------------------------------------------------|

|                                                                                               |                                                                                                                                                                                                                                                                                                                                               |                                                                                                 |                                                                                                                                                                                                                                                                                                                                                    |
|-----------------------------------------------------------------------------------------------|-----------------------------------------------------------------------------------------------------------------------------------------------------------------------------------------------------------------------------------------------------------------------------------------------------------------------------------------------|-------------------------------------------------------------------------------------------------|----------------------------------------------------------------------------------------------------------------------------------------------------------------------------------------------------------------------------------------------------------------------------------------------------------------------------------------------------|
| <p>Sight</p>  | <p>1: 10,5* ←<br/>                 2: 9,6 ←<br/>                 3: 10,1 ↘<br/>                 4: 10,0 →<br/>                 5: 10,2* ↘<br/>                 6: 10,0 ↘<br/>                 7: 10,8* ←<br/>                 8: 10,2* ←<br/>                 9: 9,8 ↑<br/>                 10: 10,4* ↘</p> <p>Serie 101,6<br/>Totalt 0,0</p> | <p>Sight</p>  | <p>11: 10,7* ↘<br/>                 12: 10,6* ←<br/>                 13: 10,5* →<br/>                 14: 9,6 ↘<br/>                 15: 9,9 →<br/>                 16: 10,3* →<br/>                 17: 10,6* ↗<br/>                 18: 0,0 ↗<br/>                 19: 0,0 ↗<br/>                 20: 6,2 ↘</p> <p>Serie 78,4<br/>Totalt 0,0</p> |
|-----------------------------------------------------------------------------------------------|-----------------------------------------------------------------------------------------------------------------------------------------------------------------------------------------------------------------------------------------------------------------------------------------------------------------------------------------------|-------------------------------------------------------------------------------------------------|----------------------------------------------------------------------------------------------------------------------------------------------------------------------------------------------------------------------------------------------------------------------------------------------------------------------------------------------------|

|                                                                                                |                                                                                                                                                                                 |                                                                                                    |                                                                                                                                                                                                                                                                                                                                               |
|------------------------------------------------------------------------------------------------|---------------------------------------------------------------------------------------------------------------------------------------------------------------------------------|----------------------------------------------------------------------------------------------------|-----------------------------------------------------------------------------------------------------------------------------------------------------------------------------------------------------------------------------------------------------------------------------------------------------------------------------------------------|
| <p>Sight</p>  | <p>21: 10,8* ↘<br/>                 22: 9,8 ↘<br/>                 23: 9,4 →<br/>                 24: 9,7 →<br/>                 25: 9,8 →</p> <p>Serie 49,5<br/>Totalt 0,0</p> | <p>60 shot</p>  | <p>1: 10,2* →<br/>                 2: 9,5 ↘<br/>                 3: 10,7* ←<br/>                 4: 9,8 ↘<br/>                 5: 10,6* →<br/>                 6: 10,8* ↑<br/>                 7: 9,6 ↘<br/>                 8: 10,5* →<br/>                 9: 10,0 ↘<br/>                 10: 9,1 →</p> <p>Serie 100,8<br/>Totalt 100,8</p> |
|------------------------------------------------------------------------------------------------|---------------------------------------------------------------------------------------------------------------------------------------------------------------------------------|----------------------------------------------------------------------------------------------------|-----------------------------------------------------------------------------------------------------------------------------------------------------------------------------------------------------------------------------------------------------------------------------------------------------------------------------------------------|

|                                                                                                   |                                                                                                                                                                                                                                                                                                                                                  |                                                                                                     |                                                                                                                                                                                                                                                                                                                                                           |
|---------------------------------------------------------------------------------------------------|--------------------------------------------------------------------------------------------------------------------------------------------------------------------------------------------------------------------------------------------------------------------------------------------------------------------------------------------------|-----------------------------------------------------------------------------------------------------|-----------------------------------------------------------------------------------------------------------------------------------------------------------------------------------------------------------------------------------------------------------------------------------------------------------------------------------------------------------|
| <p>60 shot</p>  | <p>11: 8,3 ↘<br/>                 12: 9,0 ↘<br/>                 13: 9,4 ↘<br/>                 14: 10,0 ↘<br/>                 15: 9,8 ↘<br/>                 16: 10,1 ↘<br/>                 17: 9,7 ↘<br/>                 18: 10,2* ↘<br/>                 19: 9,7 ↘<br/>                 20: 10,3* →</p> <p>Serie 96,5<br/>Totalt 197,3</p> | <p>60 shot</p>  | <p>21: 10,4* ↘<br/>                 22: 10,2* ↗<br/>                 23: 9,7 ↘<br/>                 24: 10,1 ↘<br/>                 25: 10,3* ↘<br/>                 26: 10,5* ↗<br/>                 27: 10,3* ↗<br/>                 28: 10,2* →<br/>                 29: 9,8 ↘<br/>                 30: 10,0 →</p> <p>Serie 101,5<br/>Totalt 298,8</p> |
|---------------------------------------------------------------------------------------------------|--------------------------------------------------------------------------------------------------------------------------------------------------------------------------------------------------------------------------------------------------------------------------------------------------------------------------------------------------|-----------------------------------------------------------------------------------------------------|-----------------------------------------------------------------------------------------------------------------------------------------------------------------------------------------------------------------------------------------------------------------------------------------------------------------------------------------------------------|

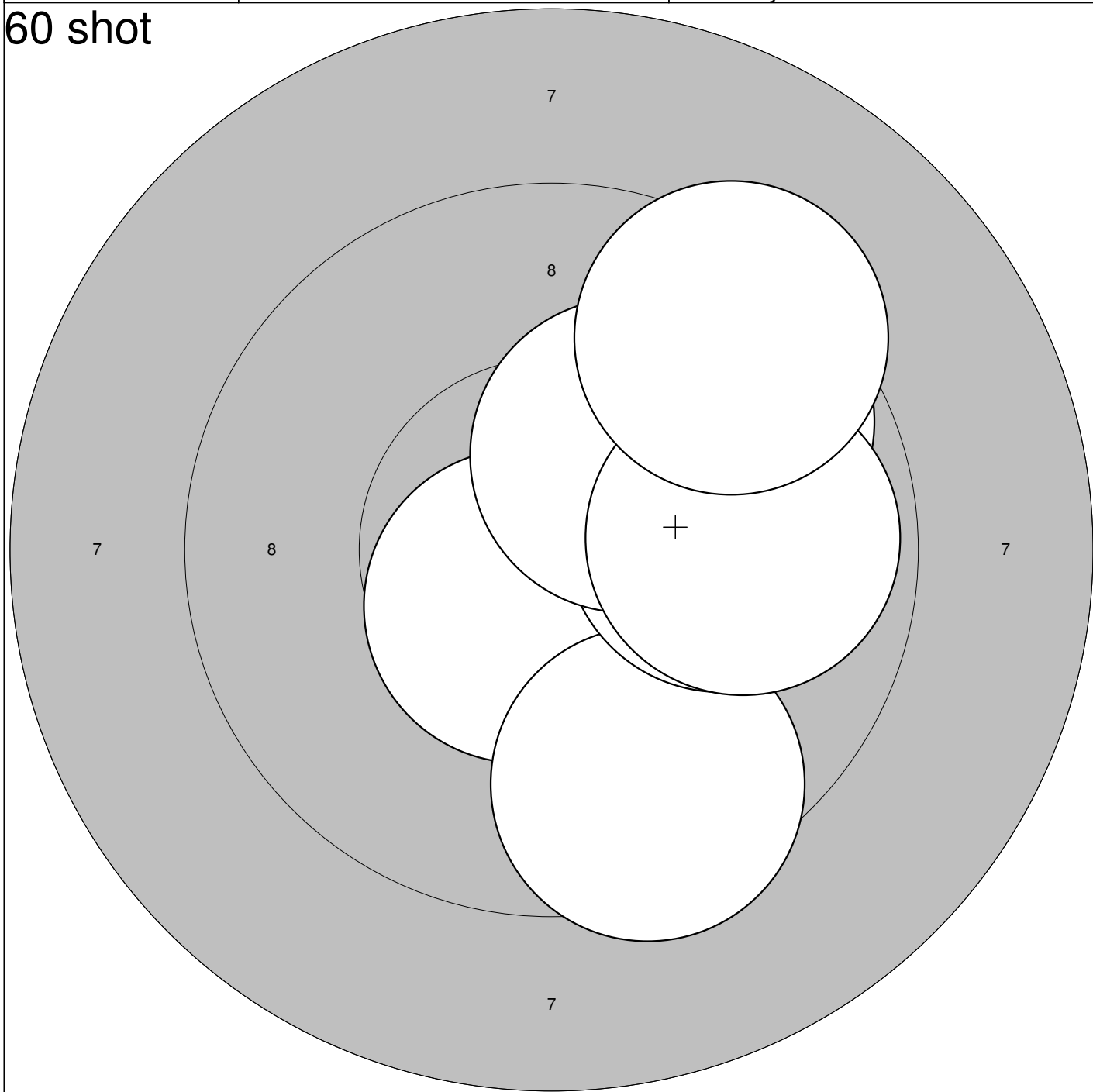
|                                                                                                   |                                                                                                                                                                                                                                                                                                                                                             |  |  |
|---------------------------------------------------------------------------------------------------|-------------------------------------------------------------------------------------------------------------------------------------------------------------------------------------------------------------------------------------------------------------------------------------------------------------------------------------------------------------|--|--|
| <p>60 shot</p>  | <p>31: 10,4* ↘<br/>                 32: 10,3* ↘<br/>                 33: 10,1 ←<br/>                 34: 10,8* ↘<br/>                 35: 10,2* ↗<br/>                 36: 10,6* ↘<br/>                 37: 10,3* ↘<br/>                 38: 9,9 ↘<br/>                 39: 10,0 →<br/>                 40: 10,3* ↘</p> <p>Serie 102,9<br/>Totalt 401,7</p> |  |  |
|---------------------------------------------------------------------------------------------------|-------------------------------------------------------------------------------------------------------------------------------------------------------------------------------------------------------------------------------------------------------------------------------------------------------------------------------------------------------------|--|--|

|                      |                    |                         |
|----------------------|--------------------|-------------------------|
| Skjutlag<br><b>1</b> | Tavla<br><b>20</b> | <b>Rasmus Andersson</b> |
|----------------------|--------------------|-------------------------|

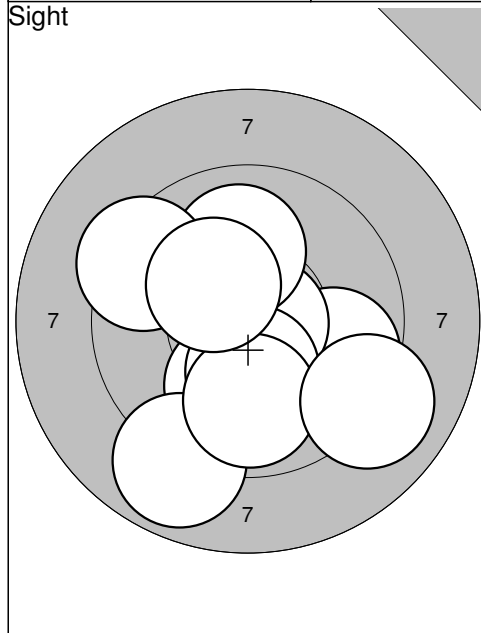
|   |         |  |
|---|---------|--|
| S | Flarken |  |
|---|---------|--|

|            |                |                    |
|------------|----------------|--------------------|
| 2013-04-20 | UME-Kulan 2013 | Umeå skytteallians |
|------------|----------------|--------------------|

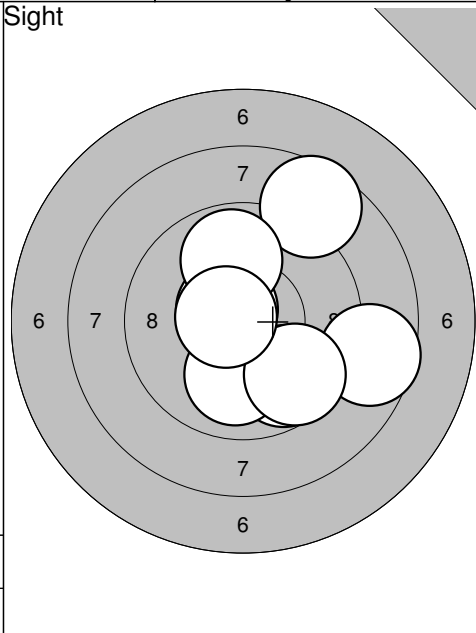
**60 shot**



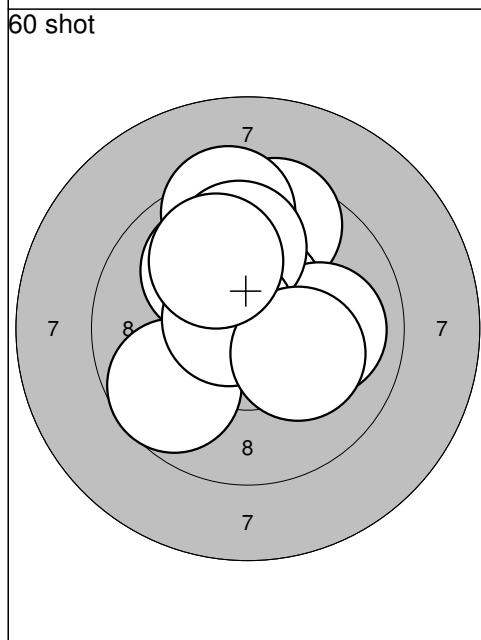
|            |            |        |      |
|------------|------------|--------|------|
| 1: 9,8 ↗   | 6: 10,3* ↗ | Serie  | 79,6 |
| 2: 10,1 →  | 7: 9,9 →   |        |      |
| 3: 10,6* ↘ | 8: 9,4 ↗   | Totalt | 79,6 |
| 4: 9,5 ↘   |            |        |      |
| 5: 10,0 →  |            |        |      |



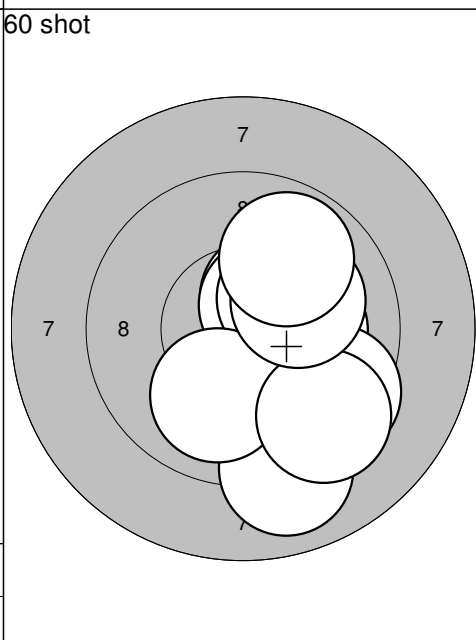
|            |   |
|------------|---|
| 1: 9,7     | ➔ |
| 2: 10,8*   | ➔ |
| 3: 10,0    | ⬆ |
| 4: 10,1    | ⬇ |
| 5: 9,4     | ↗ |
| 6: 8,9     | ⬇ |
| 7: 10,3*   | ⬇ |
| 8: 9,9     | ⬇ |
| 9: 10,3*   | ↗ |
| 10: 9,0    | ➔ |
| Serie 98,4 |   |
| Totalt 0,0 |   |



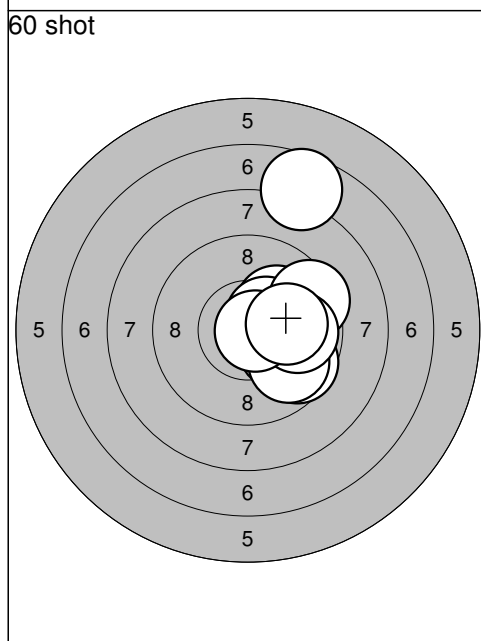
|            |   |
|------------|---|
| 11: 8,6    | ➔ |
| 12: 8,6    | ↗ |
| 13: 10,6*  | ↗ |
| 14: 9,7    | ⬇ |
| 15: 10,0   | ⬇ |
| 16: 9,6    | ⬇ |
| 17: 9,9    | ⬆ |
| 18: 10,7*  | ⬅ |
| Serie 77,7 |   |
| Totalt 0,0 |   |



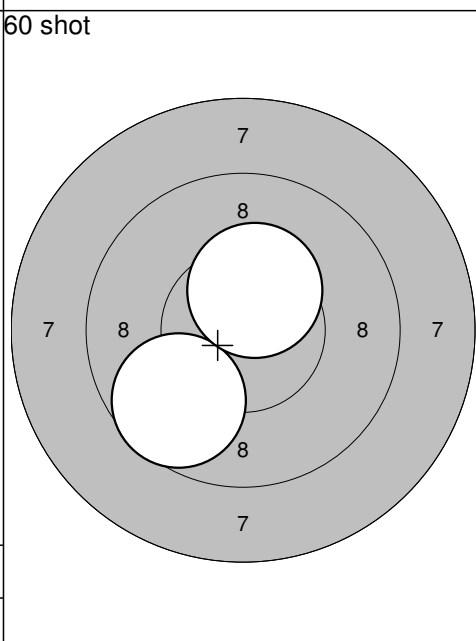
|             |   |
|-------------|---|
| 1: 9,7      | ↙ |
| 2: 9,5      | ⬆ |
| 3: 10,0     | ↗ |
| 4: 10,5*    | ⬆ |
| 5: 9,4      | ⬆ |
| 6: 10,0     | ➔ |
| 7: 9,9      | ⬆ |
| 8: 10,7*    | ↗ |
| 9: 10,2*    | ➔ |
| 10: 10,0    | ⬆ |
| Serie 99,9  |   |
| Totalt 99,9 |   |



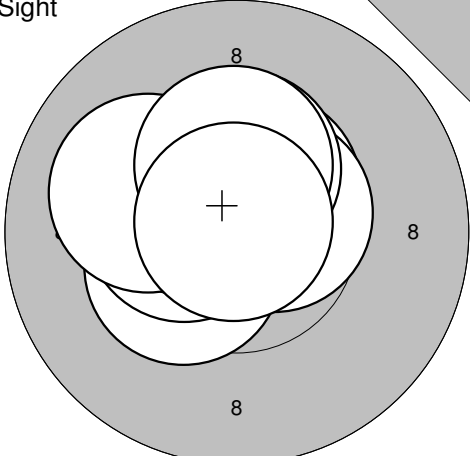
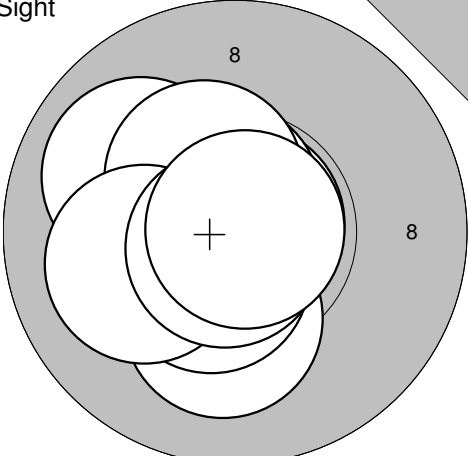
|              |   |
|--------------|---|
| 11: 10,2*    | ➔ |
| 12: 10,4*    | ↗ |
| 13: 10,5*    | ↗ |
| 14: 9,5      | ⬇ |
| 15: 9,0      | ⬇ |
| 16: 10,3*    | ↗ |
| 17: 10,0     | ⬇ |
| 18: 9,4      | ⬇ |
| 19: 10,1     | ↗ |
| 20: 9,9      | ⬆ |
| Serie 99,3   |   |
| Totalt 199,2 |   |

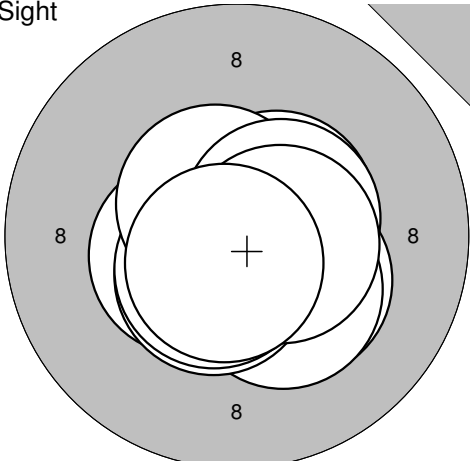
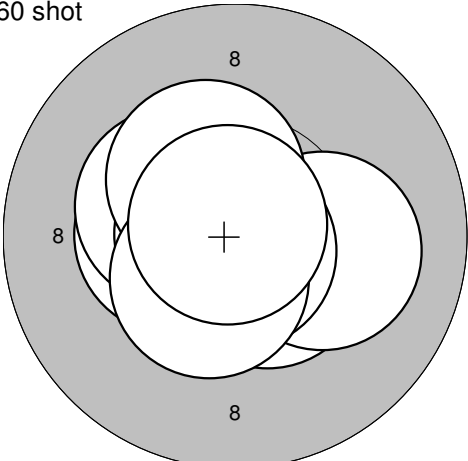


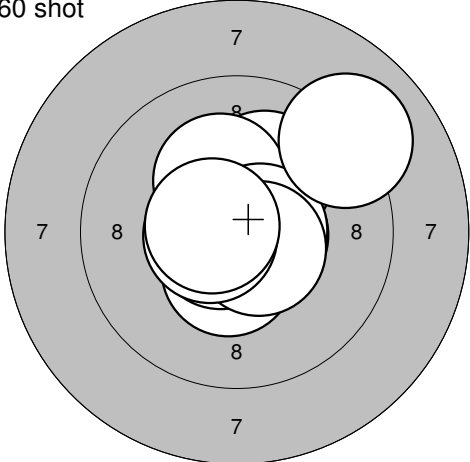
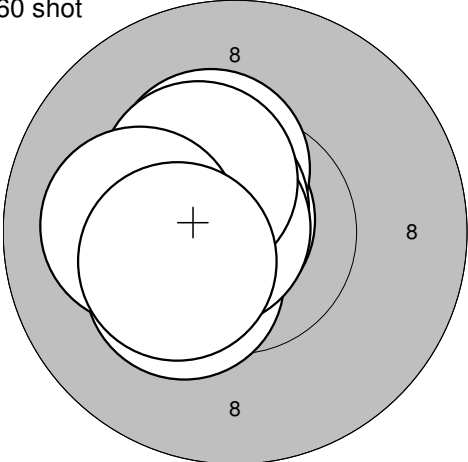
|              |   |
|--------------|---|
| 21: 10,1     | ↗ |
| 22: 10,5*    | ↗ |
| 23: 9,4      | ➔ |
| 24: 10,1     | ⬇ |
| 25: 9,6      | ⬇ |
| 26: 9,8      | ⬇ |
| 27: 9,8      | ➔ |
| 28: 10,8*    | ➔ |
| 29: 10,1     | ➔ |
| 30: 7,6      | ⬆ |
| Serie 97,8   |   |
| Totalt 297,0 |   |

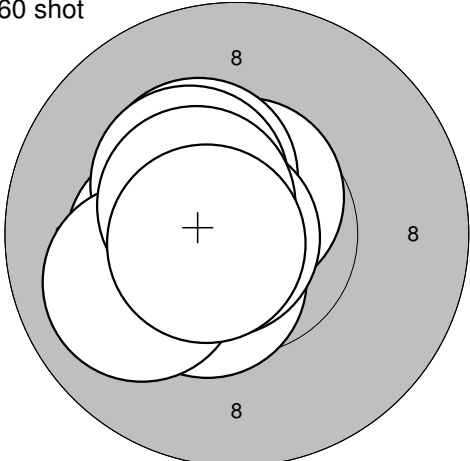


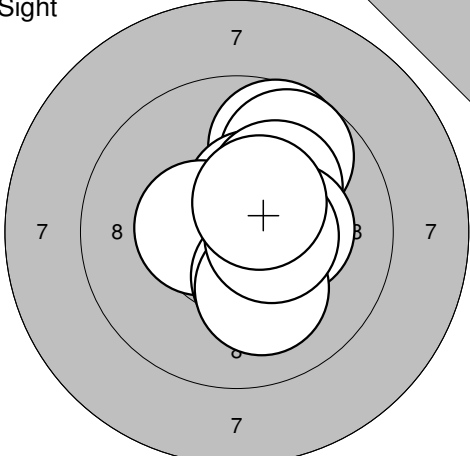
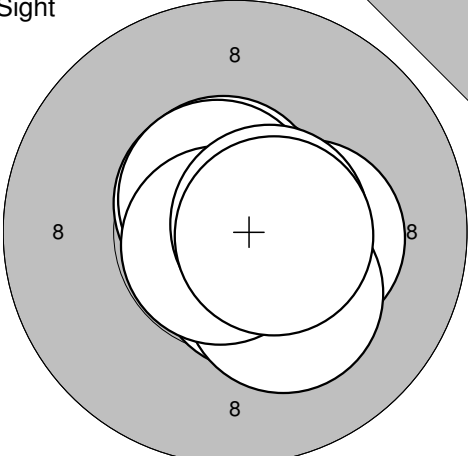
|              |   |
|--------------|---|
| 31: 9,7      | ↙ |
| 32: 10,4*    | ⬆ |
| Serie 20,1   |   |
| Totalt 317,1 |   |

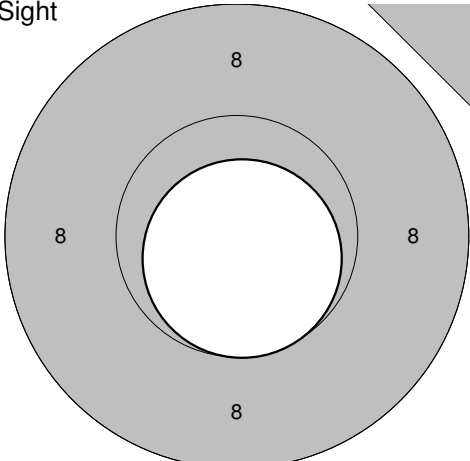
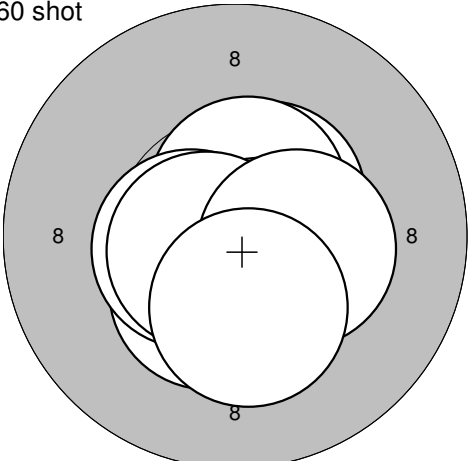
|                                                                                               |                                                                                                                                                                                                                                                                                                                                                     |                                                                                                 |                                                                                                                                                                                                                                                                                                                                                             |
|-----------------------------------------------------------------------------------------------|-----------------------------------------------------------------------------------------------------------------------------------------------------------------------------------------------------------------------------------------------------------------------------------------------------------------------------------------------------|-------------------------------------------------------------------------------------------------|-------------------------------------------------------------------------------------------------------------------------------------------------------------------------------------------------------------------------------------------------------------------------------------------------------------------------------------------------------------|
| <p>Sight</p>  | <p>1: 10,7* ↗<br/>                 2: 10,4* ↙<br/>                 3: 10,5* ↗<br/>                 4: 10,5* ↖<br/>                 5: 10,6* →<br/>                 6: 10,5* ↗<br/>                 7: 10,4* ↑<br/>                 8: 10,1 ↖<br/>                 9: 10,3* ↑<br/>                 10: 10,9* ↑</p> <p>Serie 104,9<br/>Totalt 0,0</p> | <p>Sight</p>  | <p>11: 10,0 ↖<br/>                 12: 10,8* ↗<br/>                 13: 10,8* ↖<br/>                 14: 10,6* ↗<br/>                 15: 10,2* ↓<br/>                 16: 10,5* ↓<br/>                 17: 10,4* ↗<br/>                 18: 10,1 ↖<br/>                 19: 10,8* ↓<br/>                 20: 10,9* →</p> <p>Serie 105,1<br/>Totalt 0,0</p> |
|-----------------------------------------------------------------------------------------------|-----------------------------------------------------------------------------------------------------------------------------------------------------------------------------------------------------------------------------------------------------------------------------------------------------------------------------------------------------|-------------------------------------------------------------------------------------------------|-------------------------------------------------------------------------------------------------------------------------------------------------------------------------------------------------------------------------------------------------------------------------------------------------------------------------------------------------------------|

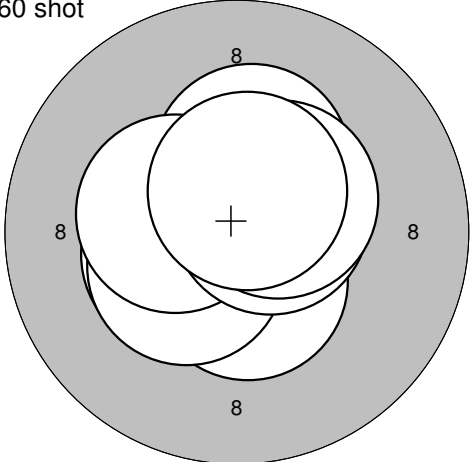
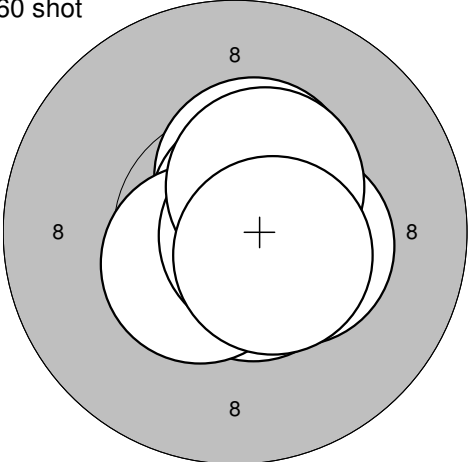
|                                                                                                |                                                                                                                                                                                                                                                                                                                                                               |                                                                                                    |                                                                                                                                                                                                                                                                                                                                                       |
|------------------------------------------------------------------------------------------------|---------------------------------------------------------------------------------------------------------------------------------------------------------------------------------------------------------------------------------------------------------------------------------------------------------------------------------------------------------------|----------------------------------------------------------------------------------------------------|-------------------------------------------------------------------------------------------------------------------------------------------------------------------------------------------------------------------------------------------------------------------------------------------------------------------------------------------------------|
| <p>Sight</p>  | <p>21: 10,3* ↘<br/>                 22: 10,5* ↗<br/>                 23: 10,3* ↘<br/>                 24: 10,5* ↖<br/>                 25: 10,5* ↓<br/>                 26: 10,6* ↓<br/>                 27: 10,6* ↗<br/>                 28: 10,5* →<br/>                 29: 10,5* →<br/>                 30: 10,7* ↓</p> <p>Serie 105,0<br/>Totalt 0,0</p> | <p>60 shot</p>  | <p>1: 10,5* ↘<br/>                 2: 10,1 →<br/>                 3: 10,6* ↖<br/>                 4: 10,4* ↖<br/>                 5: 10,3* ↗<br/>                 6: 10,8* ↖<br/>                 7: 10,8* ↓<br/>                 8: 10,4* ↗<br/>                 9: 10,5* ↓<br/>                 10: 10,8* ↗</p> <p>Serie 105,2<br/>Totalt 105,2</p> |
|------------------------------------------------------------------------------------------------|---------------------------------------------------------------------------------------------------------------------------------------------------------------------------------------------------------------------------------------------------------------------------------------------------------------------------------------------------------------|----------------------------------------------------------------------------------------------------|-------------------------------------------------------------------------------------------------------------------------------------------------------------------------------------------------------------------------------------------------------------------------------------------------------------------------------------------------------|

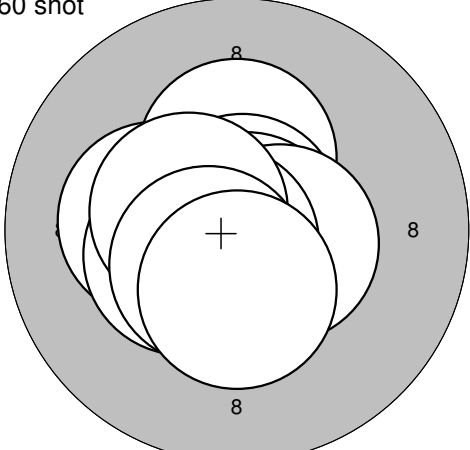
|                                                                                                   |                                                                                                                                                                                                                                                                                                                                                              |                                                                                                     |                                                                                                                                                                                                                                                                                                                                                                |
|---------------------------------------------------------------------------------------------------|--------------------------------------------------------------------------------------------------------------------------------------------------------------------------------------------------------------------------------------------------------------------------------------------------------------------------------------------------------------|-----------------------------------------------------------------------------------------------------|----------------------------------------------------------------------------------------------------------------------------------------------------------------------------------------------------------------------------------------------------------------------------------------------------------------------------------------------------------------|
| <p>60 shot</p>  | <p>11: 10,1 ↗<br/>                 12: 10,4* ↓<br/>                 13: 10,2* ↑<br/>                 14: 10,6* →<br/>                 15: 10,6* →<br/>                 16: 10,7* ↖<br/>                 17: 10,6* ↘<br/>                 18: 10,6* ↖<br/>                 19: 9,1 ↗<br/>                 20: 10,6* ↖</p> <p>Serie 103,5<br/>Totalt 208,7</p> | <p>60 shot</p>  | <p>21: 10,5* ↖<br/>                 22: 10,5* ↖<br/>                 23: 10,7* ↗<br/>                 24: 10,3* ↖<br/>                 25: 10,3* ↗<br/>                 26: 10,6* ↗<br/>                 27: 10,7* ↖<br/>                 28: 10,4* ↗<br/>                 29: 10,1 ↖<br/>                 30: 10,4* ↖</p> <p>Serie 104,5<br/>Totalt 313,2</p> |
|---------------------------------------------------------------------------------------------------|--------------------------------------------------------------------------------------------------------------------------------------------------------------------------------------------------------------------------------------------------------------------------------------------------------------------------------------------------------------|-----------------------------------------------------------------------------------------------------|----------------------------------------------------------------------------------------------------------------------------------------------------------------------------------------------------------------------------------------------------------------------------------------------------------------------------------------------------------------|

|                                                                                                   |                                                                                                                                                                                                                                                                                                                                                                |  |  |
|---------------------------------------------------------------------------------------------------|----------------------------------------------------------------------------------------------------------------------------------------------------------------------------------------------------------------------------------------------------------------------------------------------------------------------------------------------------------------|--|--|
| <p>60 shot</p>  | <p>31: 10,6* ↑<br/>                 32: 10,6* ↖<br/>                 33: 10,3* ↖<br/>                 34: 10,5* ↓<br/>                 35: 10,3* ↗<br/>                 36: 10,3* ↗<br/>                 37: 10,0 ↖<br/>                 38: 10,8* ↖<br/>                 39: 10,5* ↗<br/>                 40: 10,7* ↖</p> <p>Serie 104,6<br/>Totalt 417,8</p> |  |  |
|---------------------------------------------------------------------------------------------------|----------------------------------------------------------------------------------------------------------------------------------------------------------------------------------------------------------------------------------------------------------------------------------------------------------------------------------------------------------------|--|--|

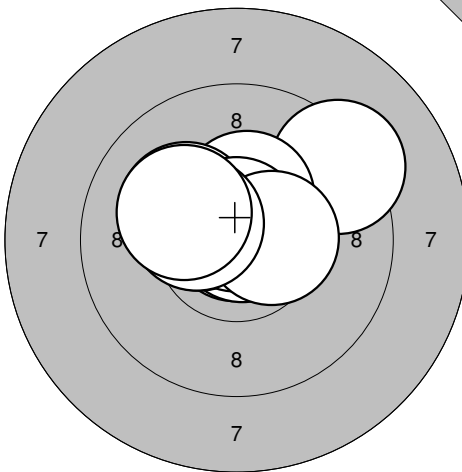
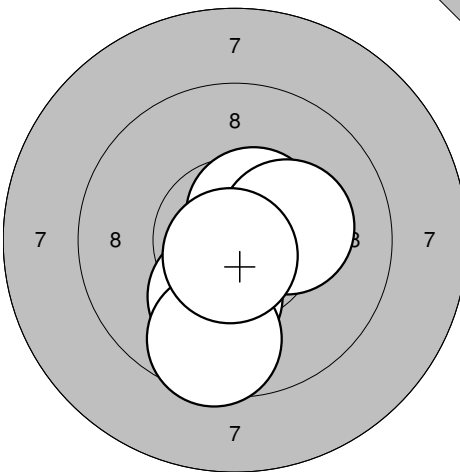
|                                                                                               |                                                                                                                                                                                        |                                                                                                 |                                                                                                                                                                                                      |
|-----------------------------------------------------------------------------------------------|----------------------------------------------------------------------------------------------------------------------------------------------------------------------------------------|-------------------------------------------------------------------------------------------------|------------------------------------------------------------------------------------------------------------------------------------------------------------------------------------------------------|
| <p>Sight</p>  | <p>1: 9,7 ↗<br/>2: 9,7 ↗<br/>3: 10,4* ↗<br/>4: 10,2* ↗<br/>5: 10,5* ←<br/>6: 10,3* →<br/>7: 10,3* ↓<br/>8: 10,1 ↓<br/>9: 10,5* →<br/>10: 10,5* ↗</p> <p>Serie 102,2<br/>Totalt 0,0</p> | <p>Sight</p>  | <p>11: 10,6* ↗<br/>12: 10,5* ↓<br/>13: 10,8* ↗<br/>14: 10,3* →<br/>15: 10,6* ↗<br/>16: 10,2* ↓<br/>17: 10,6* ↗<br/>18: 10,8* ↓<br/>19: 10,6* →<br/>20: 10,6* →</p> <p>Serie 105,6<br/>Totalt 0,0</p> |
|-----------------------------------------------------------------------------------------------|----------------------------------------------------------------------------------------------------------------------------------------------------------------------------------------|-------------------------------------------------------------------------------------------------|------------------------------------------------------------------------------------------------------------------------------------------------------------------------------------------------------|

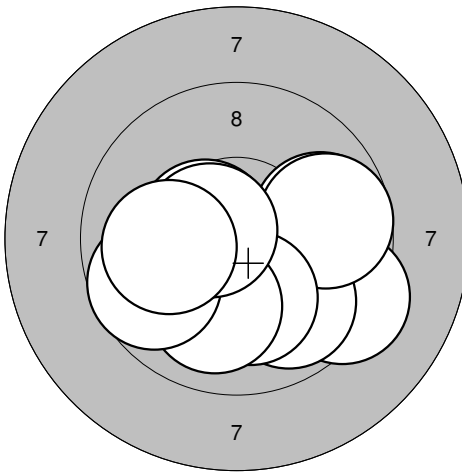
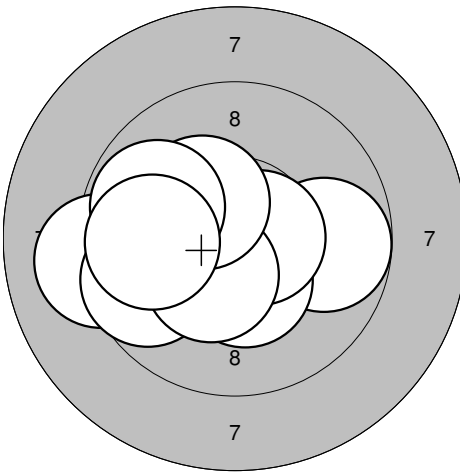
|                                                                                                |                                                     |                                                                                                    |                                                                                                                                                                                               |
|------------------------------------------------------------------------------------------------|-----------------------------------------------------|----------------------------------------------------------------------------------------------------|-----------------------------------------------------------------------------------------------------------------------------------------------------------------------------------------------|
| <p>Sight</p>  | <p>21: 10,7* ↓</p> <p>Serie 10,7<br/>Totalt 0,0</p> | <p>60 shot</p>  | <p>1: 10,4* ↓<br/>2: 10,5* ↗<br/>3: 10,7* ↓<br/>4: 10,6* ↗<br/>5: 10,6* ↓<br/>6: 10,6* ↓<br/>7: 10,5* ←<br/>8: 10,7* ←<br/>9: 10,4* →<br/>10: 10,3* ↓</p> <p>Serie 105,3<br/>Totalt 105,3</p> |
|------------------------------------------------------------------------------------------------|-----------------------------------------------------|----------------------------------------------------------------------------------------------------|-----------------------------------------------------------------------------------------------------------------------------------------------------------------------------------------------|

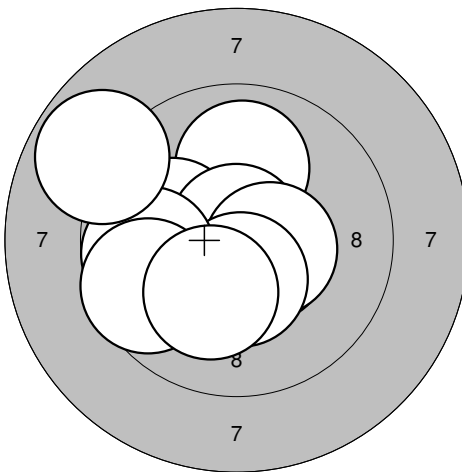
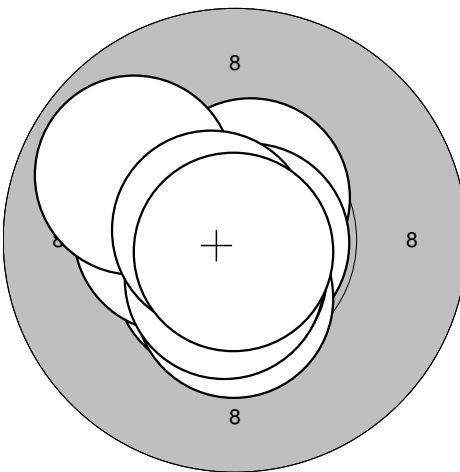
|                                                                                                   |                                                                                                                                                                                                        |                                                                                                     |                                                                                                                                                                                                        |
|---------------------------------------------------------------------------------------------------|--------------------------------------------------------------------------------------------------------------------------------------------------------------------------------------------------------|-----------------------------------------------------------------------------------------------------|--------------------------------------------------------------------------------------------------------------------------------------------------------------------------------------------------------|
| <p>60 shot</p>  | <p>11: 10,6* ←<br/>12: 10,6* ↗<br/>13: 10,5* ↓<br/>14: 10,3* ↗<br/>15: 10,4* ←<br/>16: 10,4* ←<br/>17: 10,4* ←<br/>18: 10,6* ↗<br/>19: 10,5* ↗<br/>20: 10,6* ↗</p> <p>Serie 104,9<br/>Totalt 210,2</p> | <p>60 shot</p>  | <p>21: 10,6* ↓<br/>22: 10,4* ↗<br/>23: 10,7* ↗<br/>24: 10,6* →<br/>25: 10,5* ↓<br/>26: 10,7* →<br/>27: 10,5* ↘<br/>28: 10,4* →<br/>29: 10,5* ↗<br/>30: 10,5* ↘</p> <p>Serie 105,4<br/>Totalt 315,6</p> |
|---------------------------------------------------------------------------------------------------|--------------------------------------------------------------------------------------------------------------------------------------------------------------------------------------------------------|-----------------------------------------------------------------------------------------------------|--------------------------------------------------------------------------------------------------------------------------------------------------------------------------------------------------------|

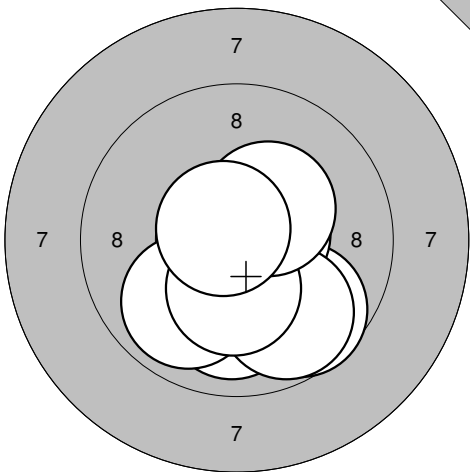
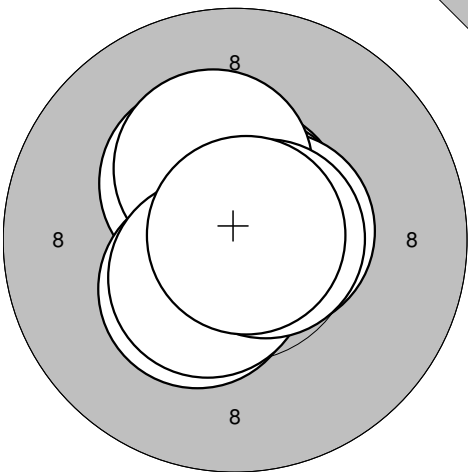
|                                                                                                   |                                                                                                                                                                                                        |  |  |
|---------------------------------------------------------------------------------------------------|--------------------------------------------------------------------------------------------------------------------------------------------------------------------------------------------------------|--|--|
| <p>60 shot</p>  | <p>31: 10,3* ↗<br/>32: 10,8* ↗<br/>33: 10,9* →<br/>34: 10,2* ←<br/>35: 10,5* →<br/>36: 10,7* ↓<br/>37: 10,4* ←<br/>38: 10,5* ←<br/>39: 10,5* ↓<br/>40: 10,4* ↓</p> <p>Serie 105,2<br/>Totalt 420,8</p> |  |  |
|---------------------------------------------------------------------------------------------------|--------------------------------------------------------------------------------------------------------------------------------------------------------------------------------------------------------|--|--|

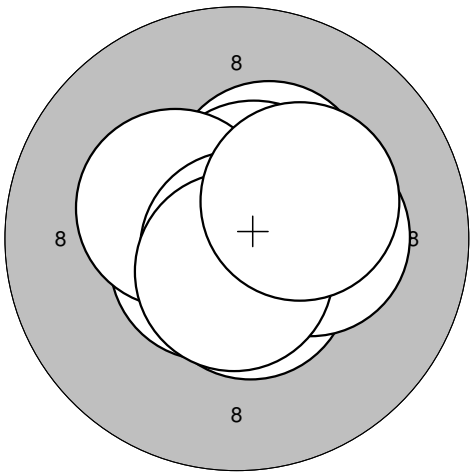
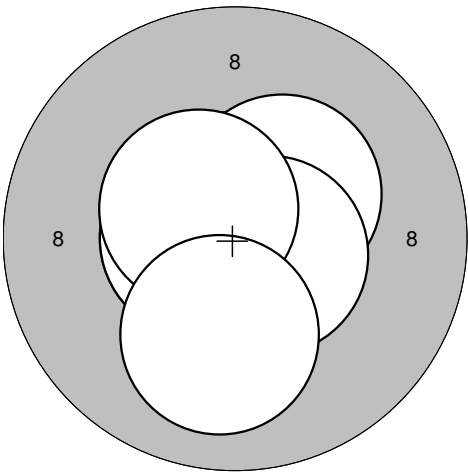


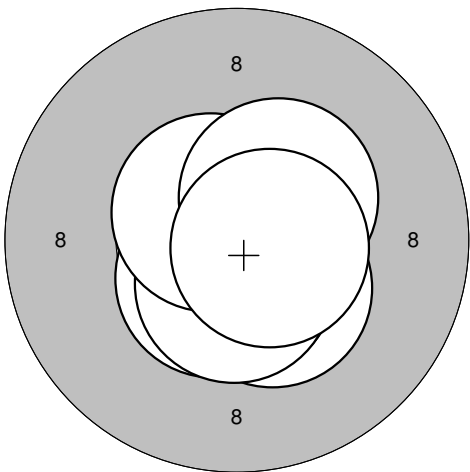
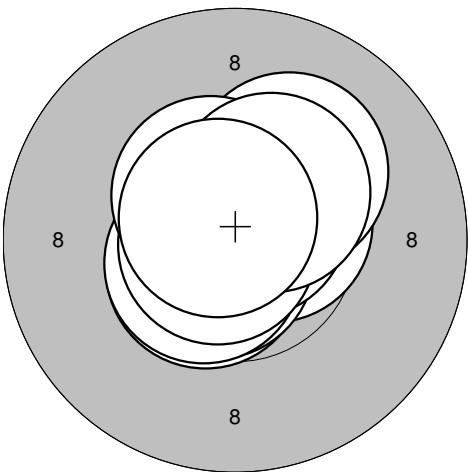
|                                                                                               |                                                                                                                                                                                                                                                                                                                                                                                                                                                                                                                                                                      |       |       |        |     |                                                                                                 |                                                                                                                                                                                                                                                                                                                                                                                                        |       |      |        |     |
|-----------------------------------------------------------------------------------------------|----------------------------------------------------------------------------------------------------------------------------------------------------------------------------------------------------------------------------------------------------------------------------------------------------------------------------------------------------------------------------------------------------------------------------------------------------------------------------------------------------------------------------------------------------------------------|-------|-------|--------|-----|-------------------------------------------------------------------------------------------------|--------------------------------------------------------------------------------------------------------------------------------------------------------------------------------------------------------------------------------------------------------------------------------------------------------------------------------------------------------------------------------------------------------|-------|------|--------|-----|
| <p>Sight</p>  | <p>1: 10,9* ↑<br/>                 2: 10,8* ↗<br/>                 3: 9,3 ↗<br/>                 4: 10,4* ↑<br/>                 5: 10,2* ↗<br/>                 6: 10,4* ↖<br/>                 7: 10,7* ↑<br/>                 8: 10,5* →<br/>                 9: 10,4* ↖<br/>                 10: 10,2* ↖</p> <table border="1" style="width:100%; border-collapse: collapse;"> <tr> <td style="padding: 2px;">Serie</td> <td style="padding: 2px;">103,8</td> </tr> <tr> <td style="padding: 2px;">Totalt</td> <td style="padding: 2px;">0,0</td> </tr> </table> | Serie | 103,8 | Totalt | 0,0 | <p>Sight</p>  | <p>11: 10,1 ↓<br/>                 12: 10,5* ↗<br/>                 13: 10,2* →<br/>                 14: 9,6 ↓<br/>                 15: 10,7* ↓</p> <table border="1" style="width:100%; border-collapse: collapse;"> <tr> <td style="padding: 2px;">Serie</td> <td style="padding: 2px;">51,1</td> </tr> <tr> <td style="padding: 2px;">Totalt</td> <td style="padding: 2px;">0,0</td> </tr> </table> | Serie | 51,1 | Totalt | 0,0 |
| Serie                                                                                         | 103,8                                                                                                                                                                                                                                                                                                                                                                                                                                                                                                                                                                |       |       |        |     |                                                                                                 |                                                                                                                                                                                                                                                                                                                                                                                                        |       |      |        |     |
| Totalt                                                                                        | 0,0                                                                                                                                                                                                                                                                                                                                                                                                                                                                                                                                                                  |       |       |        |     |                                                                                                 |                                                                                                                                                                                                                                                                                                                                                                                                        |       |      |        |     |
| Serie                                                                                         | 51,1                                                                                                                                                                                                                                                                                                                                                                                                                                                                                                                                                                 |       |       |        |     |                                                                                                 |                                                                                                                                                                                                                                                                                                                                                                                                        |       |      |        |     |
| Totalt                                                                                        | 0,0                                                                                                                                                                                                                                                                                                                                                                                                                                                                                                                                                                  |       |       |        |     |                                                                                                 |                                                                                                                                                                                                                                                                                                                                                                                                        |       |      |        |     |

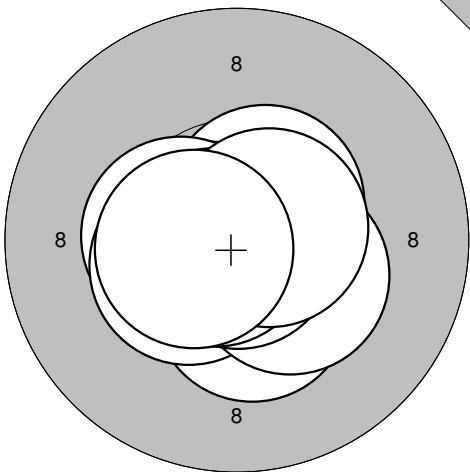
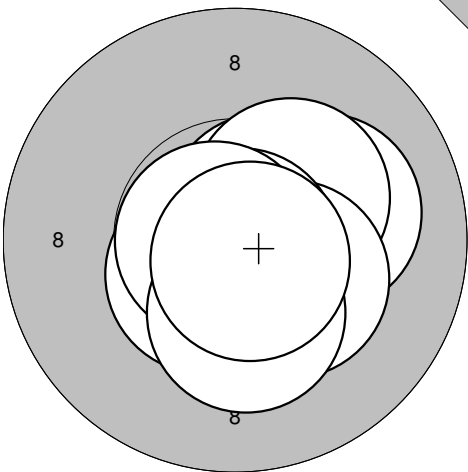
|                                                                                                  |                                                                                                                                                                                                                                                                                                                                                                                                                                                                                                                                                           |       |      |        |      |                                                                                                    |                                                                                                                                                                                                                                                                                                                                                                                                                                                                                                                                                                         |       |       |        |       |
|--------------------------------------------------------------------------------------------------|-----------------------------------------------------------------------------------------------------------------------------------------------------------------------------------------------------------------------------------------------------------------------------------------------------------------------------------------------------------------------------------------------------------------------------------------------------------------------------------------------------------------------------------------------------------|-------|------|--------|------|----------------------------------------------------------------------------------------------------|-------------------------------------------------------------------------------------------------------------------------------------------------------------------------------------------------------------------------------------------------------------------------------------------------------------------------------------------------------------------------------------------------------------------------------------------------------------------------------------------------------------------------------------------------------------------------|-------|-------|--------|-------|
| <p>60 shot</p>  | <p>1: 9,3 ↘<br/>                 2: 9,8 →<br/>                 3: 9,9 ↘<br/>                 4: 9,7 →<br/>                 5: 10,1 ↘<br/>                 6: 10,5* ↖<br/>                 7: 10,0 ↓<br/>                 8: 9,7 ↖<br/>                 9: 10,6* ↖<br/>                 10: 10,0 ←</p> <table border="1" style="width:100%; border-collapse: collapse;"> <tr> <td style="padding: 2px;">Serie</td> <td style="padding: 2px;">99,6</td> </tr> <tr> <td style="padding: 2px;">Totalt</td> <td style="padding: 2px;">99,6</td> </tr> </table> | Serie | 99,6 | Totalt | 99,6 | <p>60 shot</p>  | <p>11: 9,8 →<br/>                 12: 10,4* ↖<br/>                 13: 9,2 ←<br/>                 14: 9,7 ↖<br/>                 15: 10,4* ↓<br/>                 16: 10,6* →<br/>                 17: 10,4* ↖<br/>                 18: 10,3* ↖<br/>                 19: 9,8 ↖<br/>                 20: 9,8 ←</p> <table border="1" style="width:100%; border-collapse: collapse;"> <tr> <td style="padding: 2px;">Serie</td> <td style="padding: 2px;">100,4</td> </tr> <tr> <td style="padding: 2px;">Totalt</td> <td style="padding: 2px;">200,0</td> </tr> </table> | Serie | 100,4 | Totalt | 200,0 |
| Serie                                                                                            | 99,6                                                                                                                                                                                                                                                                                                                                                                                                                                                                                                                                                      |       |      |        |      |                                                                                                    |                                                                                                                                                                                                                                                                                                                                                                                                                                                                                                                                                                         |       |       |        |       |
| Totalt                                                                                           | 99,6                                                                                                                                                                                                                                                                                                                                                                                                                                                                                                                                                      |       |      |        |      |                                                                                                    |                                                                                                                                                                                                                                                                                                                                                                                                                                                                                                                                                                         |       |       |        |       |
| Serie                                                                                            | 100,4                                                                                                                                                                                                                                                                                                                                                                                                                                                                                                                                                     |       |      |        |      |                                                                                                    |                                                                                                                                                                                                                                                                                                                                                                                                                                                                                                                                                                         |       |       |        |       |
| Totalt                                                                                           | 200,0                                                                                                                                                                                                                                                                                                                                                                                                                                                                                                                                                     |       |      |        |      |                                                                                                    |                                                                                                                                                                                                                                                                                                                                                                                                                                                                                                                                                                         |       |       |        |       |

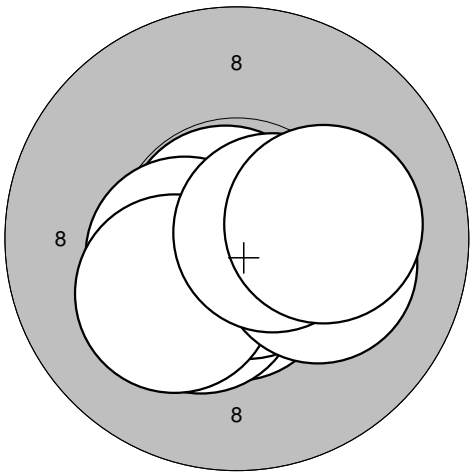
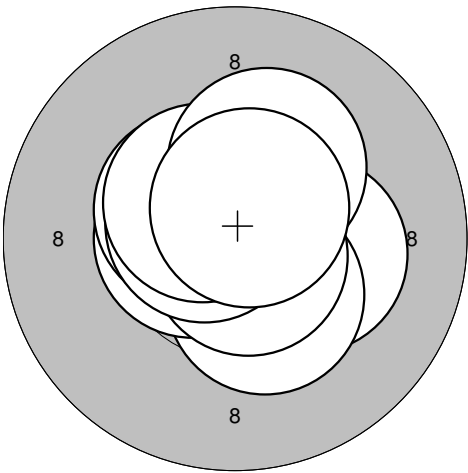
|                                                                                                   |                                                                                                                                                                                                                                                                                                                                                                                                                                                                                                                                                                           |       |       |        |       |                                                                                                     |                                                                                                                                                                                                                                                                                                                                                                                                                                                                                                                                                                                 |       |       |        |       |
|---------------------------------------------------------------------------------------------------|---------------------------------------------------------------------------------------------------------------------------------------------------------------------------------------------------------------------------------------------------------------------------------------------------------------------------------------------------------------------------------------------------------------------------------------------------------------------------------------------------------------------------------------------------------------------------|-------|-------|--------|-------|-----------------------------------------------------------------------------------------------------|---------------------------------------------------------------------------------------------------------------------------------------------------------------------------------------------------------------------------------------------------------------------------------------------------------------------------------------------------------------------------------------------------------------------------------------------------------------------------------------------------------------------------------------------------------------------------------|-------|-------|--------|-------|
| <p>60 shot</p>  | <p>21: 10,6* ↘<br/>                 22: 10,0 ↑<br/>                 23: 10,1 ←<br/>                 24: 10,8* ↑<br/>                 25: 10,5* →<br/>                 26: 10,4* ↓<br/>                 27: 9,8 ←<br/>                 28: 9,6 ↖<br/>                 29: 10,2* ↘<br/>                 30: 8,8 ↖</p> <table border="1" style="width:100%; border-collapse: collapse;"> <tr> <td style="padding: 2px;">Serie</td> <td style="padding: 2px;">100,8</td> </tr> <tr> <td style="padding: 2px;">Totalt</td> <td style="padding: 2px;">300,8</td> </tr> </table> | Serie | 100,8 | Totalt | 300,8 | <p>60 shot</p>  | <p>31: 10,6* ↘<br/>                 32: 10,5* ↗<br/>                 33: 10,8* →<br/>                 34: 10,4* ←<br/>                 35: 10,4* ↓<br/>                 36: 9,9 ↖<br/>                 37: 10,6* ↓<br/>                 38: 10,6* ↓<br/>                 39: 10,7* ↖<br/>                 40: 10,8* ↓</p> <table border="1" style="width:100%; border-collapse: collapse;"> <tr> <td style="padding: 2px;">Serie</td> <td style="padding: 2px;">105,3</td> </tr> <tr> <td style="padding: 2px;">Totalt</td> <td style="padding: 2px;">406,1</td> </tr> </table> | Serie | 105,3 | Totalt | 406,1 |
| Serie                                                                                             | 100,8                                                                                                                                                                                                                                                                                                                                                                                                                                                                                                                                                                     |       |       |        |       |                                                                                                     |                                                                                                                                                                                                                                                                                                                                                                                                                                                                                                                                                                                 |       |       |        |       |
| Totalt                                                                                            | 300,8                                                                                                                                                                                                                                                                                                                                                                                                                                                                                                                                                                     |       |       |        |       |                                                                                                     |                                                                                                                                                                                                                                                                                                                                                                                                                                                                                                                                                                                 |       |       |        |       |
| Serie                                                                                             | 105,3                                                                                                                                                                                                                                                                                                                                                                                                                                                                                                                                                                     |       |       |        |       |                                                                                                     |                                                                                                                                                                                                                                                                                                                                                                                                                                                                                                                                                                                 |       |       |        |       |
| Totalt                                                                                            | 406,1                                                                                                                                                                                                                                                                                                                                                                                                                                                                                                                                                                     |       |       |        |       |                                                                                                     |                                                                                                                                                                                                                                                                                                                                                                                                                                                                                                                                                                                 |       |       |        |       |

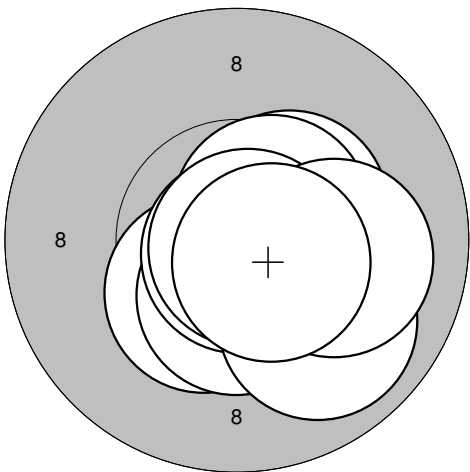
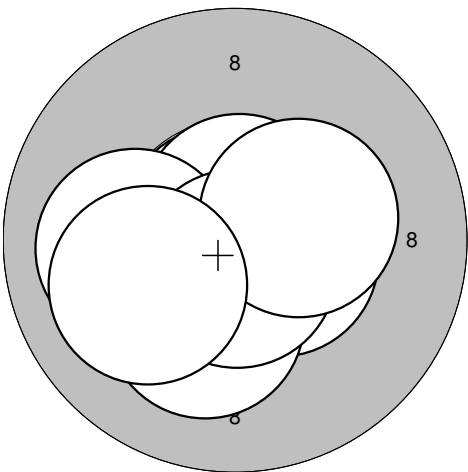
|                                                                                                                                    |                                                                                                                                                    |
|------------------------------------------------------------------------------------------------------------------------------------|----------------------------------------------------------------------------------------------------------------------------------------------------|
| <p>Sight</p>                                       | <p>Sight</p>                                                     |
| 1: 9,7 ↘<br>2: 10,4* ↓<br>3: 10,0 ↓<br>4: 10,6* →<br>5: 9,8 ↘<br>6: 10,3* ↓<br>7: 9,9 ↓<br>8: 10,3* ↓<br>9: 10,4* ↗<br>10: 10,7* ↖ | 11: 10,6* ↖<br>12: 10,6* ↑<br>13: 10,3* ↖<br>14: 10,7* ↗<br>15: 10,4* ↘<br>16: 10,6* →<br>17: 10,3* ↑<br>18: 10,5* ↘<br>19: 10,7* →<br>20: 10,8* ↗ |
| Serie 102,1                                                                                                                        | Serie 105,5                                                                                                                                        |
| Totalt 0,0                                                                                                                         | Totalt 0,0                                                                                                                                         |

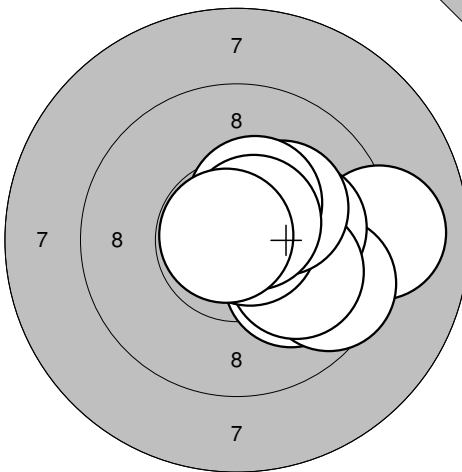
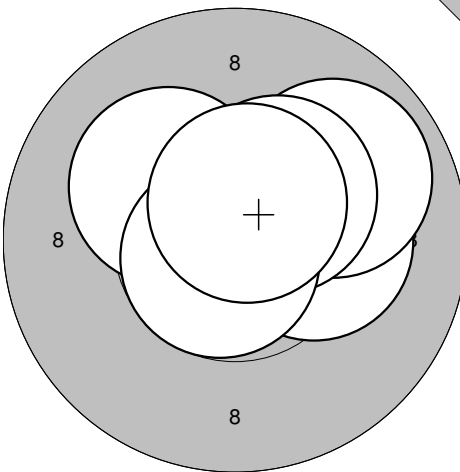
|                                                                                                                                           |                                                                                                                                                   |
|-------------------------------------------------------------------------------------------------------------------------------------------|---------------------------------------------------------------------------------------------------------------------------------------------------|
| <p>60 shot</p>                                           | <p>60 shot</p>                                                 |
| 1: 10,3* ↗<br>2: 10,5* →<br>3: 10,6* ↙<br>4: 10,6* ↓<br>5: 10,3* →<br>6: 10,6* ↑<br>7: 10,3* ↖<br>8: 10,8* ↓<br>9: 10,7* ↓<br>10: 10,3* ↗ | 11: 10,7* ↑<br>12: 10,6* ←<br>13: 10,7* ↗<br>14: 10,4* ↗<br>15: 10,7* ↘<br>16: 10,8* ↓<br>17: 10,6* ←<br>18: 10,6* →<br>19: 10,5* ↖<br>20: 10,1 ↓ |
| Serie 105,0                                                                                                                               | Serie 105,7                                                                                                                                       |
| Totalt 105,0                                                                                                                              | Totalt 210,7                                                                                                                                      |

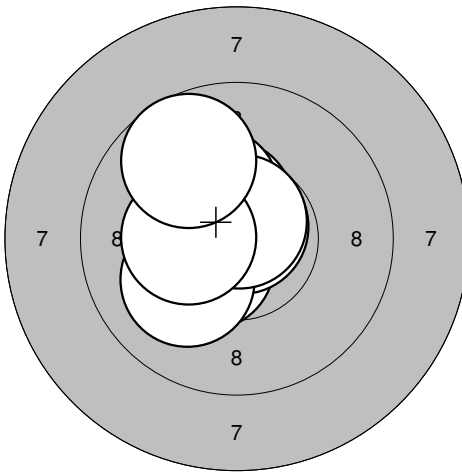
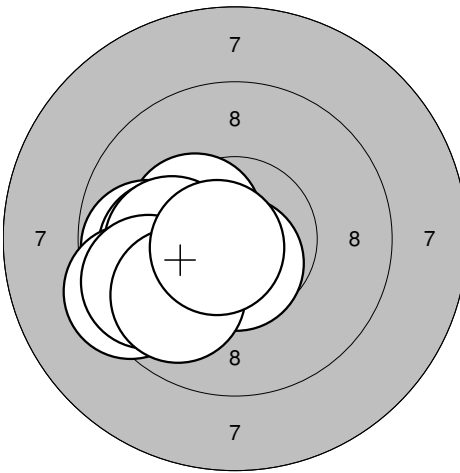
|                                                                                                                                                    |                                                                                                                                                    |
|----------------------------------------------------------------------------------------------------------------------------------------------------|----------------------------------------------------------------------------------------------------------------------------------------------------|
| <p>60 shot</p>                                                   | <p>60 shot</p>                                                 |
| 21: 10,6* ↘<br>22: 10,4* ↘<br>23: 10,7* ↓<br>24: 10,9* ↓<br>25: 10,8* ↓<br>26: 10,6* ↓<br>27: 10,6* ↓<br>28: 10,6* ↗<br>29: 10,4* ↗<br>30: 10,6* → | 31: 10,6* ↙<br>32: 10,6* →<br>33: 10,7* ↙<br>34: 10,2* ↗<br>35: 10,7* ↗<br>36: 10,6* ↙<br>37: 10,8* ←<br>38: 10,5* ↖<br>39: 10,4* ↗<br>40: 10,7* ↖ |
| Serie 106,2                                                                                                                                        | Serie 105,8                                                                                                                                        |
| Totalt 316,9                                                                                                                                       | Totalt 422,7                                                                                                                                       |

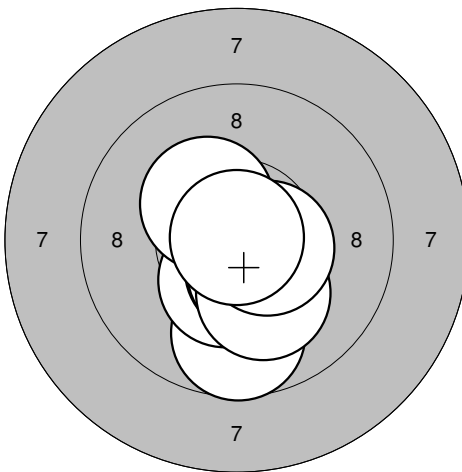
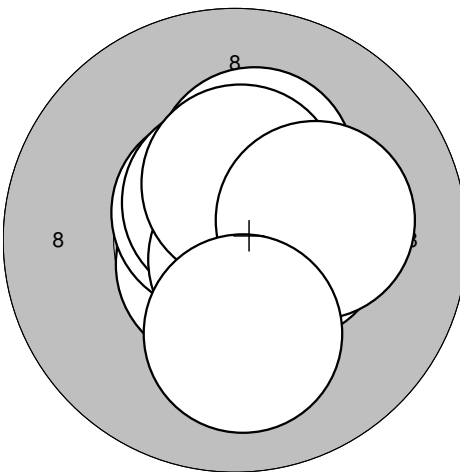
|       |                                                                                  |                                                                                                                                                                              |       |                                                                                    |                                                                                                                                                                      |
|-------|----------------------------------------------------------------------------------|------------------------------------------------------------------------------------------------------------------------------------------------------------------------------|-------|------------------------------------------------------------------------------------|----------------------------------------------------------------------------------------------------------------------------------------------------------------------|
| Sight |  | 1: 10,4* ↓<br>2: 10,5* ↗<br>3: 10,7* ←<br>4: 10,4* ←<br>5: 10,5* ←<br>6: 10,4* ↘<br>7: 10,9* ↓<br>8: 10,7* ←<br>9: 10,6* →<br>10: 10,6* ←<br><hr/> Serie 105,7<br>Totalt 0,0 | Sight |  | 11: 10,1 →<br>12: 10,6* ↗<br>13: 10,3* ↗<br>14: 10,5* ↘<br>15: 10,3* ↘<br>16: 10,9* ↘<br>17: 10,8* ←<br>18: 10,3* ↓<br>19: 10,7* ↘<br><hr/> Serie 94,5<br>Totalt 0,0 |
|-------|----------------------------------------------------------------------------------|------------------------------------------------------------------------------------------------------------------------------------------------------------------------------|-------|------------------------------------------------------------------------------------|----------------------------------------------------------------------------------------------------------------------------------------------------------------------|

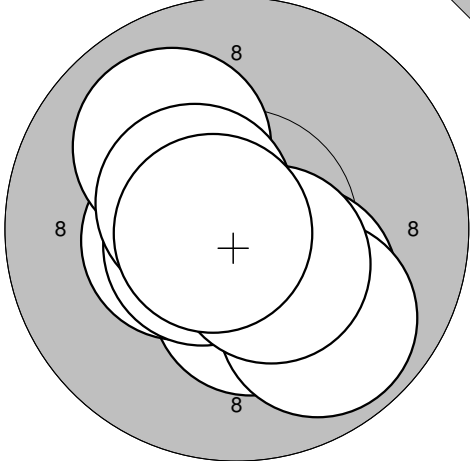
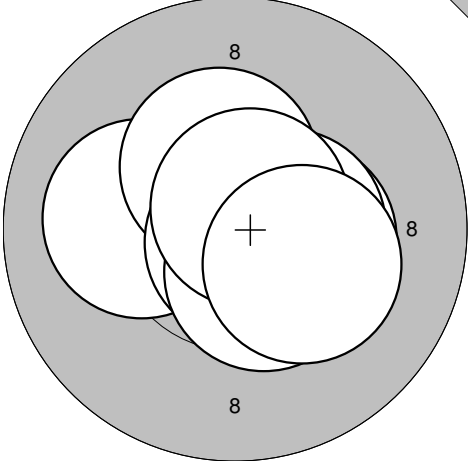
|         |                                                                                   |                                                                                                                                                                                |         |                                                                                     |                                                                                                                                                                                         |
|---------|-----------------------------------------------------------------------------------|--------------------------------------------------------------------------------------------------------------------------------------------------------------------------------|---------|-------------------------------------------------------------------------------------|-----------------------------------------------------------------------------------------------------------------------------------------------------------------------------------------|
| 60 shot |  | 1: 10,8* →<br>2: 10,6* ↓<br>3: 10,4* ↘<br>4: 10,7* ↘<br>5: 10,8* ↗<br>6: 10,5* ←<br>7: 10,2* ←<br>8: 10,2* →<br>9: 10,6* →<br>10: 10,2* →<br><hr/> Serie 105,0<br>Totalt 105,0 | 60 shot |  | 11: 10,3* →<br>12: 10,4* ↓<br>13: 10,6* ↑<br>14: 10,6* ←<br>15: 10,5* ↗<br>16: 10,7* ↘<br>17: 10,6* ↗<br>18: 10,5* ↗<br>19: 10,2* ↑<br>20: 10,6* ↑<br><hr/> Serie 105,0<br>Totalt 210,0 |
|---------|-----------------------------------------------------------------------------------|--------------------------------------------------------------------------------------------------------------------------------------------------------------------------------|---------|-------------------------------------------------------------------------------------|-----------------------------------------------------------------------------------------------------------------------------------------------------------------------------------------|

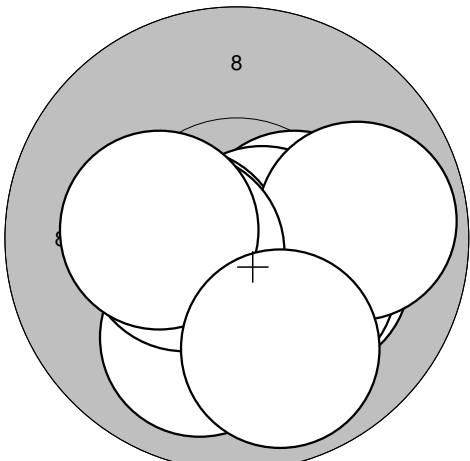
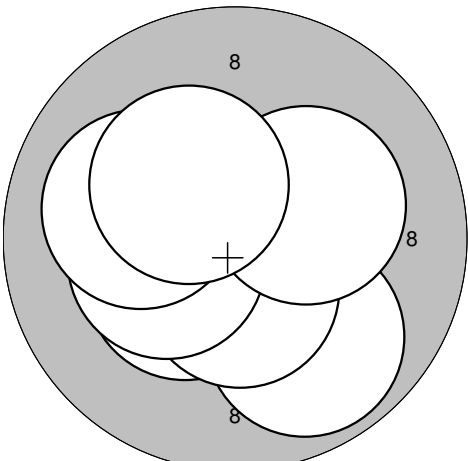
|         |                                                                                    |                                                                                                                                                                                      |         |                                                                                      |                                                                                                                                                                                       |
|---------|------------------------------------------------------------------------------------|--------------------------------------------------------------------------------------------------------------------------------------------------------------------------------------|---------|--------------------------------------------------------------------------------------|---------------------------------------------------------------------------------------------------------------------------------------------------------------------------------------|
| 60 shot |  | 21: 10,4* ↗<br>22: 10,6* ↘<br>23: 10,4* ↘<br>24: 10,6* ↗<br>25: 10,4* ↓<br>26: 10,8* ↘<br>27: 10,8* ↘<br>28: 9,9 ↘<br>29: 10,1 →<br>30: 10,6* ↘<br><hr/> Serie 104,6<br>Totalt 314,6 | 60 shot |  | 31: 10,5* →<br>32: 10,4* ←<br>33: 10,8* ←<br>34: 10,8* ↗<br>35: 10,7* ↑<br>36: 10,0 ←<br>37: 10,2* ↓<br>38: 10,7* ↓<br>39: 10,3* →<br>40: 10,1 ←<br><hr/> Serie 104,5<br>Totalt 419,1 |
|---------|------------------------------------------------------------------------------------|--------------------------------------------------------------------------------------------------------------------------------------------------------------------------------------|---------|--------------------------------------------------------------------------------------|---------------------------------------------------------------------------------------------------------------------------------------------------------------------------------------|

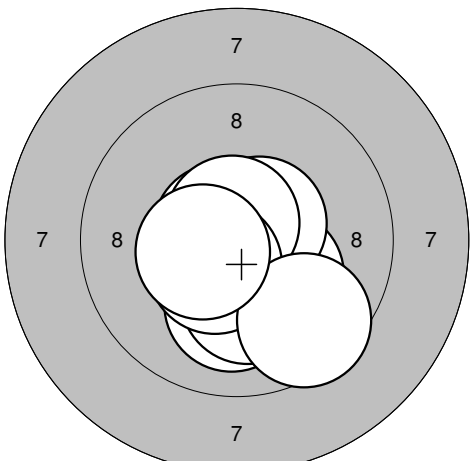
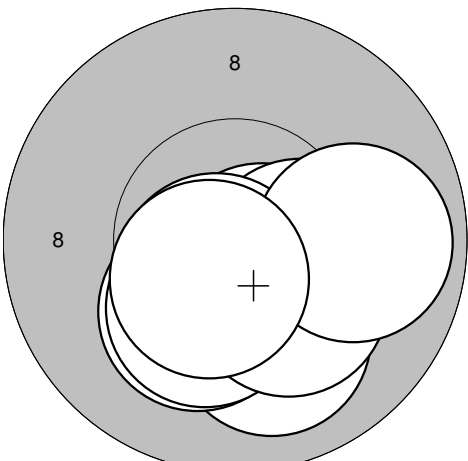
|                                                                                               |                                                                                                                                                                               |                                                                                                 |
|-----------------------------------------------------------------------------------------------|-------------------------------------------------------------------------------------------------------------------------------------------------------------------------------|-------------------------------------------------------------------------------------------------|
| <p>Sight</p>  | <p>1: 9,0 →</p> <p>2: 10,0 ↘</p> <p>3: 9,6 ↘</p> <p>4: 10,1 →</p> <p>5: 10,0 ↘</p> <p>6: 10,8* →</p> <p>7: 10,2* ↗</p> <p>8: 10,4* ↗</p> <p>9: 10,6* ↗</p> <p>10: 10,8* ↖</p> | <p>Sight</p>  |
| Serie 101,5                                                                                   |                                                                                                                                                                               | Serie 72,8                                                                                      |
| Totalt 0,0                                                                                    |                                                                                                                                                                               | Totalt 0,0                                                                                      |

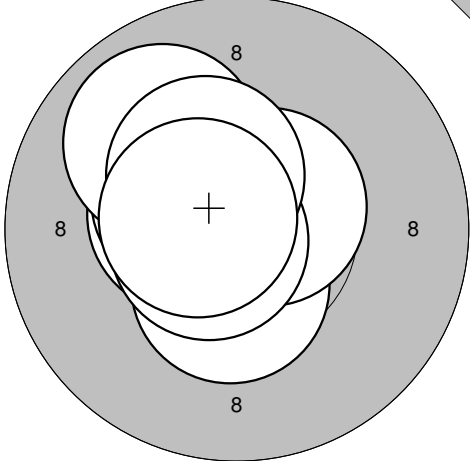
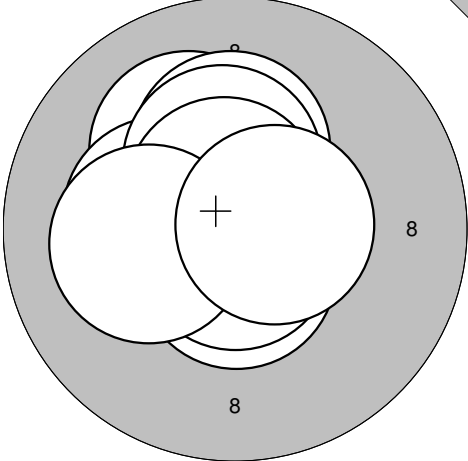
|                                                                                                  |                                                                                                                                                                                   |                                                                                                    |
|--------------------------------------------------------------------------------------------------|-----------------------------------------------------------------------------------------------------------------------------------------------------------------------------------|----------------------------------------------------------------------------------------------------|
| <p>60 shot</p>  | <p>1: 10,7* ↑</p> <p>2: 10,4* ↖</p> <p>3: 10,5* ↗</p> <p>4: 10,5* ↗</p> <p>5: 10,8* ↗</p> <p>6: 10,1 ↖</p> <p>7: 10,3* ↗</p> <p>8: 10,7* ↗</p> <p>9: 10,3* ↖</p> <p>10: 9,7 ↗</p> | <p>60 shot</p>  |
| Serie 104,0                                                                                      |                                                                                                                                                                                   | Serie 101,0                                                                                        |
| Totalt 104,0                                                                                     |                                                                                                                                                                                   | Totalt 205,0                                                                                       |

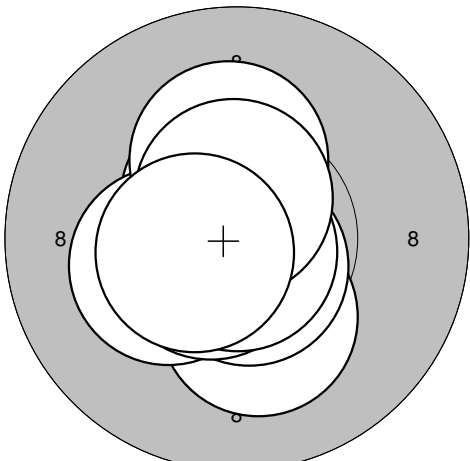
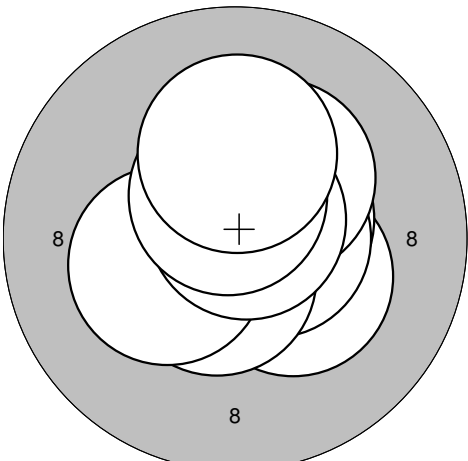
|                                                                                                   |                                                                                                                                                                                             |                                                                                                     |
|---------------------------------------------------------------------------------------------------|---------------------------------------------------------------------------------------------------------------------------------------------------------------------------------------------|-----------------------------------------------------------------------------------------------------|
| <p>60 shot</p>  | <p>21: 10,5* ↘</p> <p>22: 9,7 ↘</p> <p>23: 10,5* ↘</p> <p>24: 10,4* ↘</p> <p>25: 10,5* ↘</p> <p>26: 10,5* ↘</p> <p>27: 10,3* ↗</p> <p>28: 10,2* ↘</p> <p>29: 10,5* →</p> <p>30: 10,9* ↑</p> | <p>60 shot</p>  |
| Serie 104,0                                                                                       |                                                                                                                                                                                             | Serie 104,8                                                                                         |
| Totalt 309,0                                                                                      |                                                                                                                                                                                             | Totalt 413,8                                                                                        |

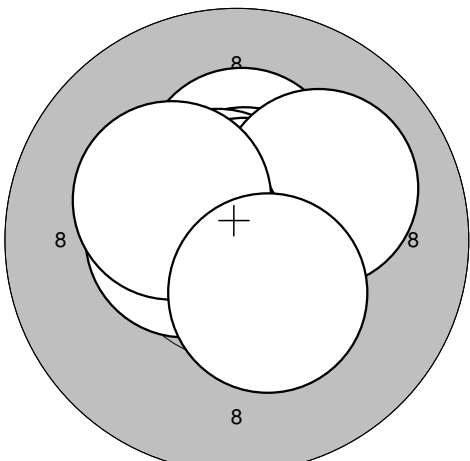
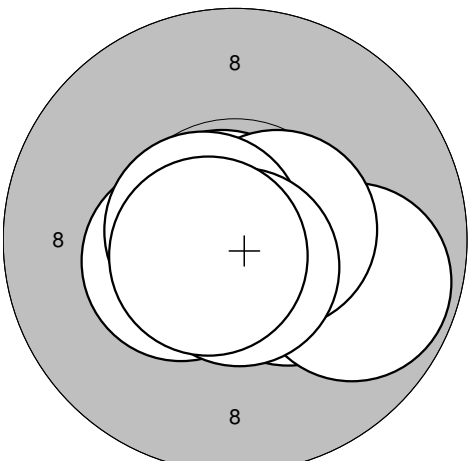
|                                                                                                                                        |                                                                                                                     |  |
|----------------------------------------------------------------------------------------------------------------------------------------|---------------------------------------------------------------------------------------------------------------------|--|
| Sight<br>                                              | Sight<br>                         |  |
| 1: 10,3* ↓<br>2: 10,4* ←<br>3: 10,7* ↙<br>4: 10,6* ←<br>5: 10,0 ↗<br>6: 10,2* ↓<br>7: 9,9 ↓<br>8: 10,5* ↓<br>9: 10,5* ↗<br>10: 10,7* ← | 11: 10,1 ←<br>12: 10,4* ↑<br>13: 10,8* ↓<br>14: 10,5* ↓<br>15: 10,4* →<br>16: 10,5* →<br>17: 10,7* ↗<br>18: 10,3* ↘ |  |
| Serie 103,8                                                                                                                            | Serie 83,7                                                                                                          |  |
| Totalt 0,0                                                                                                                             | Totalt 0,0                                                                                                          |  |

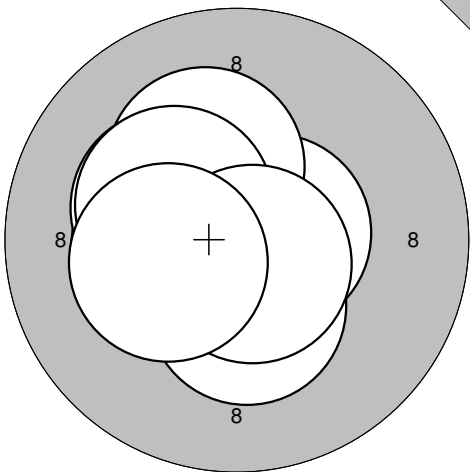
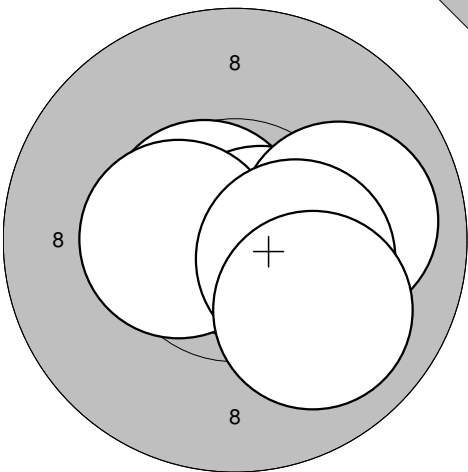
|                                                                                                                                      |                                                                                                                                                 |  |
|--------------------------------------------------------------------------------------------------------------------------------------|-------------------------------------------------------------------------------------------------------------------------------------------------|--|
| 60 shot<br>                                         | 60 shot<br>                                                  |  |
| 1: 10,4* →<br>2: 10,2* ↘<br>3: 10,3* ↓<br>4: 10,7* →<br>5: 10,0 ↓<br>6: 10,5* ←<br>7: 9,8 →<br>8: 10,5* ←<br>9: 10,2* ←<br>10: 9,9 ↓ | 11: 10,6* ↓<br>12: 10,4* ↙<br>13: 10,5* ↓<br>14: 9,9 ↓<br>15: 10,7* ↙<br>16: 10,5* ↓<br>17: 10,3* ←<br>18: 10,2* →<br>19: 10,1 ←<br>20: 10,3* ↗ |  |
| Serie 102,5                                                                                                                          | Serie 103,5                                                                                                                                     |  |
| Totalt 102,5                                                                                                                         | Totalt 206,0                                                                                                                                    |  |

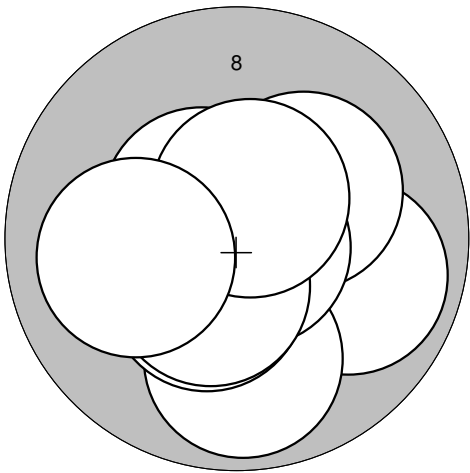
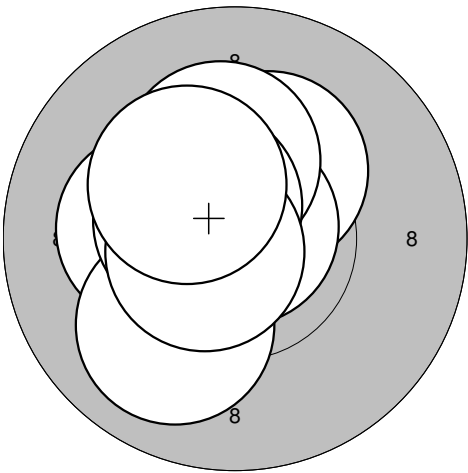
|                                                                                                                                                 |                                                                                                                                                 |  |
|-------------------------------------------------------------------------------------------------------------------------------------------------|-------------------------------------------------------------------------------------------------------------------------------------------------|--|
| 60 shot<br>                                                   | 60 shot<br>                                                 |  |
| 21: 10,7* ↙<br>22: 10,7* ↗<br>23: 10,1 ↓<br>24: 10,2* ↓<br>25: 10,2* ↓<br>26: 10,6* ↗<br>27: 10,7* ↑<br>28: 10,5* ↙<br>29: 9,5 ↓<br>30: 10,5* ← | 31: 10,0 ↓<br>32: 10,6* ↘<br>33: 10,5* ↓<br>34: 10,3* →<br>35: 10,6* ↙<br>36: 10,2* ↙<br>37: 10,3* ↙<br>38: 10,2* ↘<br>39: 9,9 →<br>40: 10,5* ↙ |  |
| Serie 103,7                                                                                                                                     | Serie 103,1                                                                                                                                     |  |
| Totalt 309,7                                                                                                                                    | Totalt 412,8                                                                                                                                    |  |

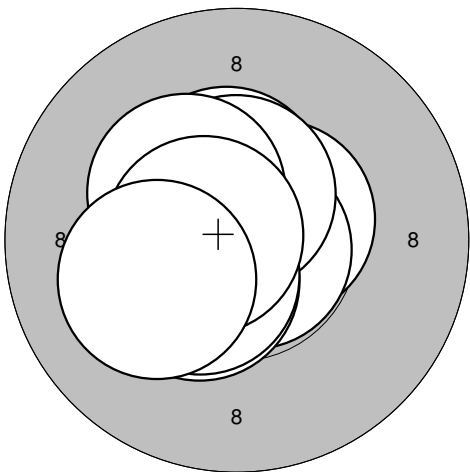
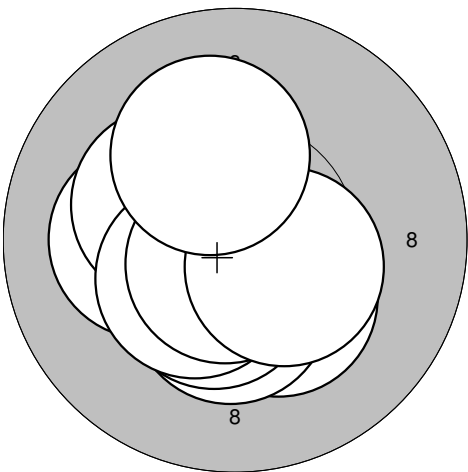
|                                                                                                                                         |                                                                                                                                                   |  |
|-----------------------------------------------------------------------------------------------------------------------------------------|---------------------------------------------------------------------------------------------------------------------------------------------------|--|
| Sight<br>                                               | Sight<br>                                                       |  |
| 1: 10,6* ↗<br>2: 10,5* ←<br>3: 10,4* ↓<br>4: 10,4* ↗<br>5: 10,5* ↗<br>6: 9,9 ↗<br>7: 10,6* ↗<br>8: 10,7* ←<br>9: 10,4* ↗<br>10: 10,6* ← | 11: 10,1 ↗<br>12: 10,2* ↑<br>13: 10,3* ←<br>14: 10,8* ←<br>15: 10,4* ↑<br>16: 10,6* ↓<br>17: 10,8* ↓<br>18: 10,6* ↑<br>19: 10,2* ←<br>20: 10,6* → |  |
| Serie 104,6                                                                                                                             | Serie 104,6                                                                                                                                       |  |
| Totalt 0,0                                                                                                                              | Totalt 0,0                                                                                                                                        |  |

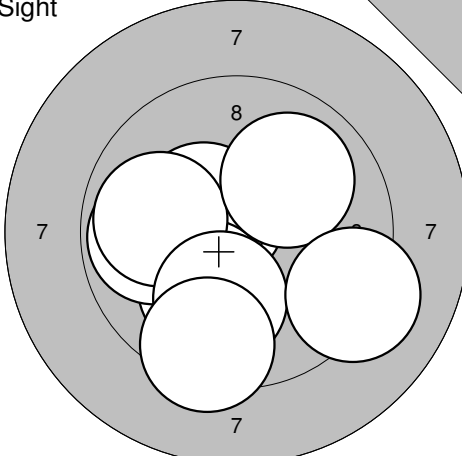
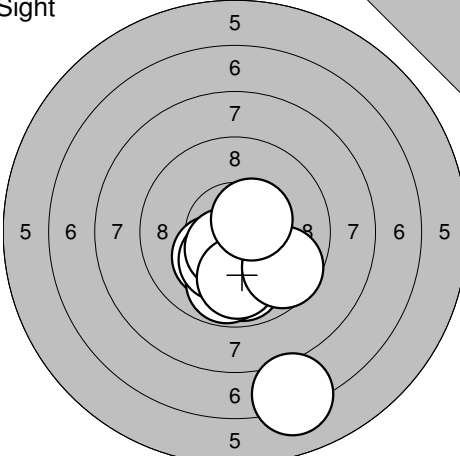
|                                                                                                                                           |                                                                                                                                                    |  |
|-------------------------------------------------------------------------------------------------------------------------------------------|----------------------------------------------------------------------------------------------------------------------------------------------------|--|
| 60 shot<br>                                              | 60 shot<br>                                                     |  |
| 1: 10,2* ↓<br>2: 10,6* ↗<br>3: 10,3* ←<br>4: 10,7* ↓<br>5: 10,8* ←<br>6: 10,2* ↑<br>7: 10,6* ←<br>8: 10,8* ↓<br>9: 10,6* ↑<br>10: 10,6* ← | 11: 10,4* ←<br>12: 10,3* ↘<br>13: 10,5* ↗<br>14: 10,6* →<br>15: 10,6* ↓<br>16: 10,3* ↗<br>17: 10,3* ←<br>18: 10,8* ↗<br>19: 10,6* ↑<br>20: 10,2* ↑ |  |
| Serie 105,4                                                                                                                               | Serie 104,6                                                                                                                                        |  |
| Totalt 105,4                                                                                                                              | Totalt 210,0                                                                                                                                       |  |

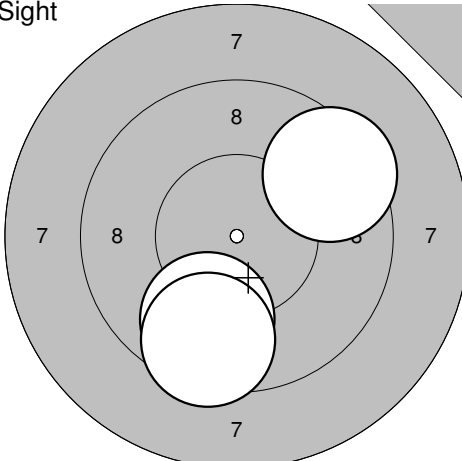
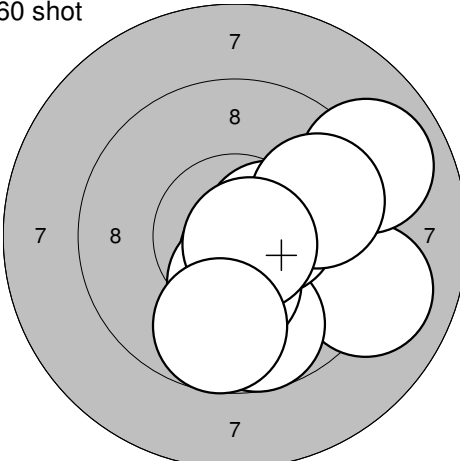
|                                                                                                                                                   |                                                                                                                                                  |  |
|---------------------------------------------------------------------------------------------------------------------------------------------------|--------------------------------------------------------------------------------------------------------------------------------------------------|--|
| 60 shot<br>                                                     | 60 shot<br>                                                  |  |
| 21: 10,4* ←<br>22: 10,6* ↓<br>23: 10,3* ↑<br>24: 10,6* ↑<br>25: 10,6* ↗<br>26: 10,7* ↗<br>27: 10,1 ↗<br>28: 10,5* ←<br>29: 10,3* ↗<br>30: 10,4* ↓ | 31: 10,4* ↘<br>32: 10,7* ↘<br>33: 10,8* ↗<br>34: 9,8 →<br>35: 10,4* ←<br>36: 10,8* ←<br>37: 10,6* →<br>38: 10,7* ←<br>39: 10,7* ↓<br>40: 10,7* ← |  |
| Serie 104,5                                                                                                                                       | Serie 105,6                                                                                                                                      |  |
| Totalt 314,5                                                                                                                                      | Totalt 420,1                                                                                                                                     |  |

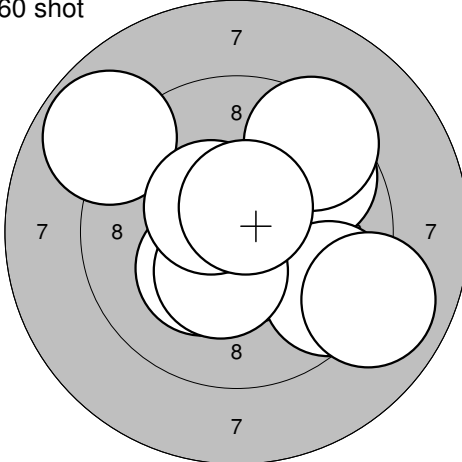
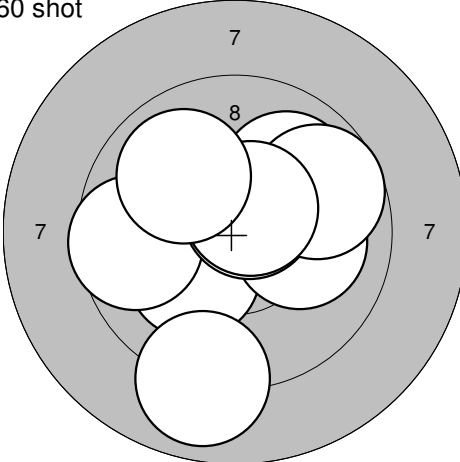
|                                                                                                                                                                                      |                                                                                                                                    |
|--------------------------------------------------------------------------------------------------------------------------------------------------------------------------------------|------------------------------------------------------------------------------------------------------------------------------------|
| <p>Sight</p>                                                                                         | <p>Sight</p>                                     |
| <p>1: 10,4* ←</p> <p>2: 10,3* ↓</p> <p>3: 10,4* ←</p> <p>4: 10,8* ↓</p> <p>5: 10,6* →</p> <p>6: 10,2* ↑</p> <p>7: 10,3* ↗</p> <p>8: 10,3* ↗</p> <p>9: 10,7* ↓</p> <p>10: 10,3* ←</p> | <p>11: 10,6* ↖</p> <p>12: 10,4* ↘</p> <p>13: 10,7* →</p> <p>14: 10,4* ←</p> <p>15: 10,0 →</p> <p>16: 10,4* →</p> <p>17: 10,0 ↓</p> |
| <p>Serie 104,3</p> <p>Totalt 0,0</p>                                                                                                                                                 | <p>Serie 72,5</p> <p>Totalt 0,0</p>                                                                                                |

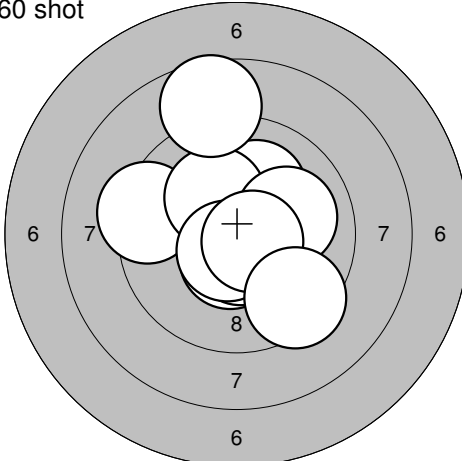
|                                                                                                                                                                                 |                                                                                                                                                                                              |
|---------------------------------------------------------------------------------------------------------------------------------------------------------------------------------|----------------------------------------------------------------------------------------------------------------------------------------------------------------------------------------------|
| <p>60 shot</p>                                                                                 | <p>60 shot</p>                                                                                            |
| <p>1: 9,9 →</p> <p>2: 10,2* ↗</p> <p>3: 9,9 ↓</p> <p>4: 10,5* ↗</p> <p>5: 10,5* ↗</p> <p>6: 10,4* ↓</p> <p>7: 10,8* →</p> <p>8: 10,5* ↓</p> <p>9: 10,6* ↑</p> <p>10: 10,0 ←</p> | <p>11: 10,6* ↑</p> <p>12: 10,3* ↗</p> <p>13: 10,2* ←</p> <p>14: 10,0 ↓</p> <p>15: 10,8* ↑</p> <p>16: 10,5* ←</p> <p>17: 10,2* ↑</p> <p>18: 10,5* ↗</p> <p>19: 10,7* ←</p> <p>20: 10,3* ↖</p> |
| <p>Serie 103,3</p> <p>Totalt 103,3</p>                                                                                                                                          | <p>Serie 104,1</p> <p>Totalt 207,4</p>                                                                                                                                                       |

|                                                                                                                                                                                              |                                                                                                                                                                                               |
|----------------------------------------------------------------------------------------------------------------------------------------------------------------------------------------------|-----------------------------------------------------------------------------------------------------------------------------------------------------------------------------------------------|
| <p>60 shot</p>                                                                                             | <p>60 shot</p>                                                                                            |
| <p>21: 10,8* ↑</p> <p>22: 10,6* ↗</p> <p>23: 10,5* ↑</p> <p>24: 10,8* →</p> <p>25: 10,5* ↓</p> <p>26: 10,5* ↑</p> <p>27: 10,5* ↓</p> <p>28: 10,3* ↗</p> <p>29: 10,7* ←</p> <p>30: 10,1 ←</p> | <p>31: 10,5* ↘</p> <p>32: 10,3* ↘</p> <p>33: 10,2* ←</p> <p>34: 10,4* ↓</p> <p>35: 10,5* ↓</p> <p>36: 10,3* ↖</p> <p>37: 10,4* ↘</p> <p>38: 10,7* ↓</p> <p>39: 10,4* →</p> <p>40: 10,2* ↑</p> |
| <p>Serie 105,3</p> <p>Totalt 312,7</p>                                                                                                                                                       | <p>Serie 103,9</p> <p>Totalt 416,6</p>                                                                                                                                                        |

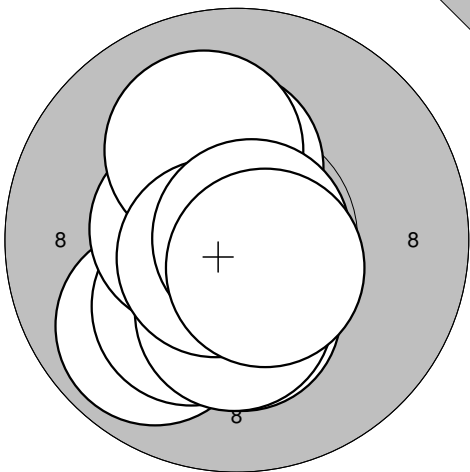
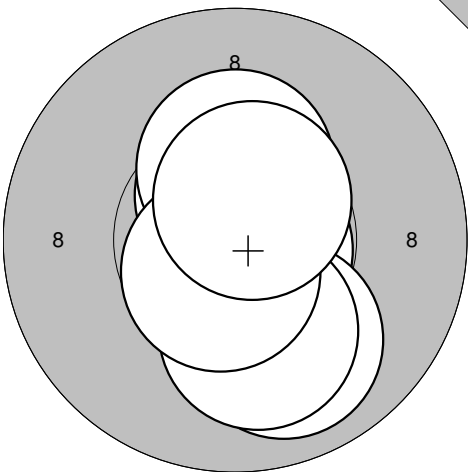
|                                                                                                                               |                                                                                                                                          |        |      |
|-------------------------------------------------------------------------------------------------------------------------------|------------------------------------------------------------------------------------------------------------------------------------------|--------|------|
| Sight                                                                                                                         | Sight                                                                                                                                    |        |      |
|                                               |                                                        |        |      |
| 1: 10,0 ←<br>2: 10,6* ↗<br>3: 10,4* ↘<br>4: 10,1 ↓<br>5: 9,9 ←<br>6: 9,9 ←<br>7: 10,0 ↗<br>8: 10,0 ↓<br>9: 9,4 ↓<br>10: 9,2 → | 11: 10,2* ↙<br>12: 9,9 ↓<br>13: 9,8 ↓<br>14: 10,2* ↓<br>15: 10,2* ↓<br>16: 10,5* ↓<br>17: 9,9 ↓<br>18: 7,2 ↓<br>19: 9,6 ↘<br>20: 10,5* ↗ |        |      |
| Serie                                                                                                                         | 99,5                                                                                                                                     | Serie  | 98,0 |
| Totalt                                                                                                                        | 0,0                                                                                                                                      | Totalt | 0,0  |

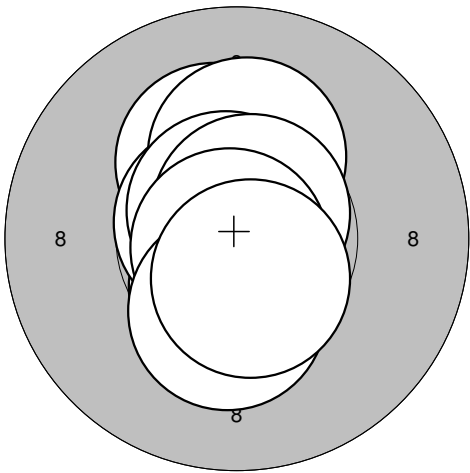
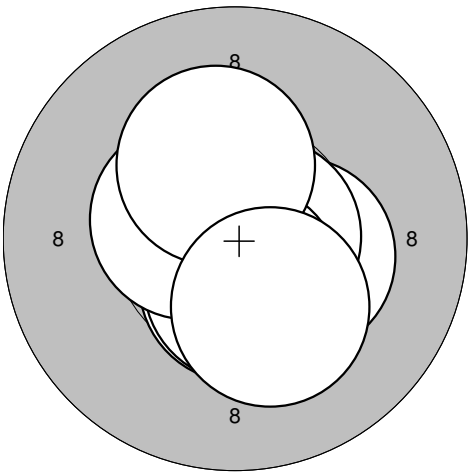
|                                                                                   |                                                                                                                                          |        |      |
|-----------------------------------------------------------------------------------|------------------------------------------------------------------------------------------------------------------------------------------|--------|------|
| Sight                                                                             | 60 shot                                                                                                                                  |        |      |
|  |                                                       |        |      |
| 21: 9,8 ↓<br>22: 9,5 ↓<br>23: 9,5 ↗                                               | 24: 10,3* →<br>25: 10,6* ↓<br>26: 9,1 →<br>27: 9,7 ↓<br>28: 10,3* ↓<br>29: 9,0 →<br>30: 10,5* →<br>31: 9,8 →<br>32: 10,7* ↘<br>33: 9,7 ↓ |        |      |
| Serie                                                                             | 28,8                                                                                                                                     | Serie  | 99,7 |
| Totalt                                                                            | 0,0                                                                                                                                      | Totalt | 99,7 |

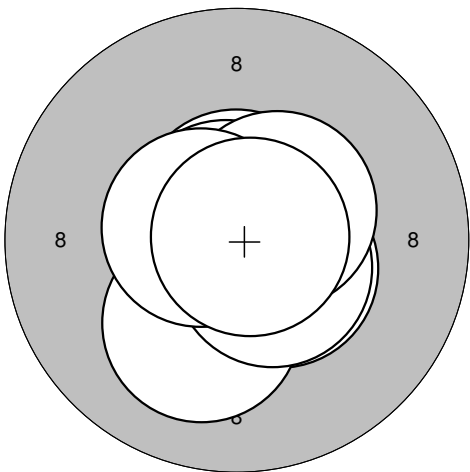
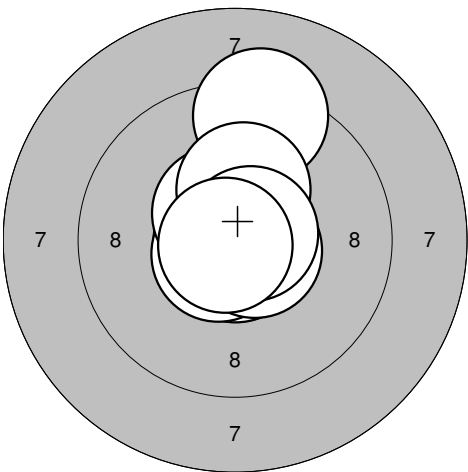
|                                                                                                                                          |                                                                                                                                          |        |       |
|------------------------------------------------------------------------------------------------------------------------------------------|------------------------------------------------------------------------------------------------------------------------------------------|--------|-------|
| 60 shot                                                                                                                                  | 60 shot                                                                                                                                  |        |       |
|                                                        |                                                      |        |       |
| 34: 9,7 ↗<br>35: 9,4 ↗<br>36: 10,6* ↓<br>37: 9,5 →<br>38: 10,3* ↓<br>39: 10,4* ↓<br>40: 8,8 ↗<br>41: 9,0 →<br>42: 10,5* ↗<br>43: 10,6* ↑ | 44: 10,3* ↙<br>45: 10,2* ↙<br>46: 9,6 ←<br>47: 10,1 →<br>48: 10,0 ↗<br>49: 10,6* ↗<br>50: 9,7 →<br>51: 10,6* ↗<br>52: 8,9 ↓<br>53: 9,9 ↙ |        |       |
| Serie                                                                                                                                    | 98,8                                                                                                                                     | Serie  | 99,9  |
| Totalt                                                                                                                                   | 198,5                                                                                                                                    | Totalt | 298,4 |

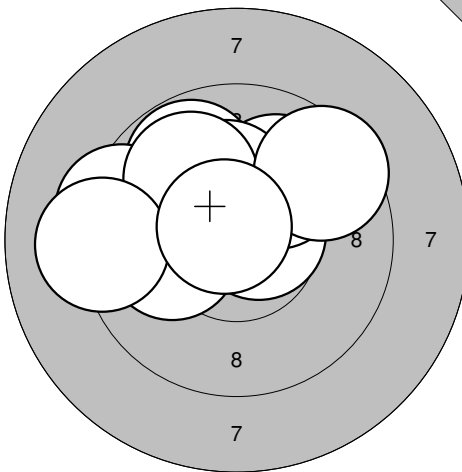
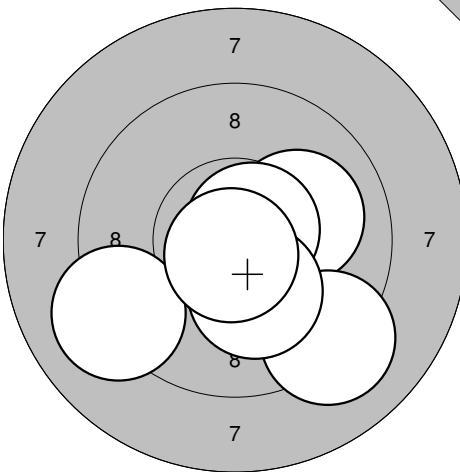
|                                                                                                                                            |       |  |  |
|--------------------------------------------------------------------------------------------------------------------------------------------|-------|--|--|
| 60 shot                                                                                                                                    |       |  |  |
|                                                          |       |  |  |
| 54: 10,1 ↑<br>55: 9,3 ←<br>56: 10,2* ↗<br>57: 8,6 ↑<br>58: 10,0 →<br>59: 10,5* ↓<br>60: 10,6* ↓<br>61: 10,6* ↓<br>62: 10,6* ↓<br>63: 9,4 ↓ |       |  |  |
| Serie                                                                                                                                      | 99,9  |  |  |
| Totalt                                                                                                                                     | 398,3 |  |  |

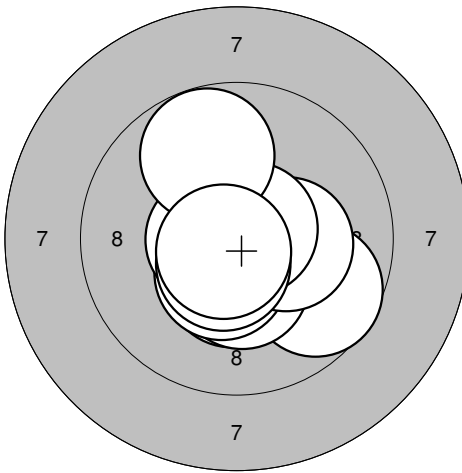
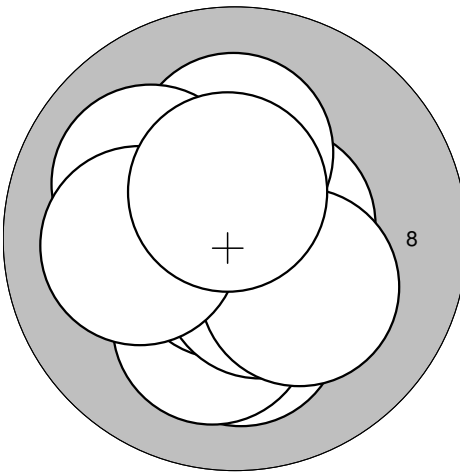


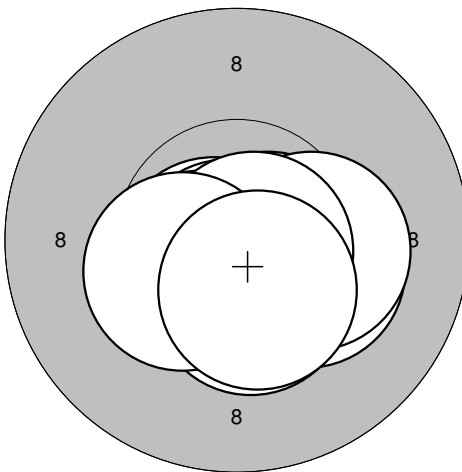
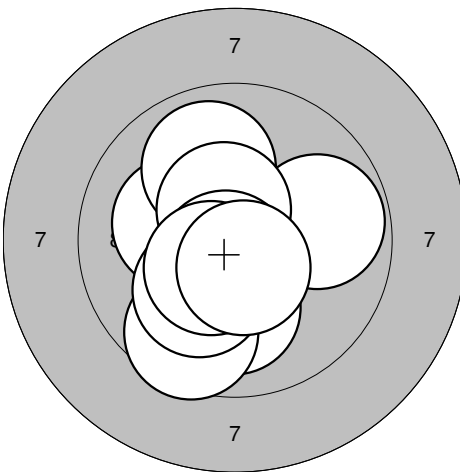
|                                                                                               |                                                                                                                                                                                                                                                                                                                                                                                                                                                                                                                   |       |       |        |     |                                                                                                 |                                                                                                                                                                                                                                                                                                                                                                                                                        |       |      |        |     |
|-----------------------------------------------------------------------------------------------|-------------------------------------------------------------------------------------------------------------------------------------------------------------------------------------------------------------------------------------------------------------------------------------------------------------------------------------------------------------------------------------------------------------------------------------------------------------------------------------------------------------------|-------|-------|--------|-----|-------------------------------------------------------------------------------------------------|------------------------------------------------------------------------------------------------------------------------------------------------------------------------------------------------------------------------------------------------------------------------------------------------------------------------------------------------------------------------------------------------------------------------|-------|------|--------|-----|
| <p>Sight</p>  | <p>1: 9,9 ↙<br/>                 2: 10,2* ↙<br/>                 3: 10,3* ↓<br/>                 4: 10,3* ↓<br/>                 5: 10,3* ↑<br/>                 6: 10,5* ←<br/>                 7: 10,1 ↑<br/>                 8: 10,7* ↙<br/>                 9: 10,8* →<br/>                 10: 10,6* ↘</p> <table border="1" style="width:100%; border-collapse: collapse;"> <tr> <td style="width:10%;">Serie</td> <td style="width:90%;">103,7</td> </tr> <tr> <td>Totalt</td> <td>0,0</td> </tr> </table> | Serie | 103,7 | Totalt | 0,0 | <p>Sight</p>  | <p>11: 10,8* ➤<br/>                 12: 10,5* ↑<br/>                 13: 9,9 ↓<br/>                 14: 10,1 ↓<br/>                 15: 10,3* ↑<br/>                 16: 10,6* ↙<br/>                 17: 10,6* ↗</p> <table border="1" style="width:100%; border-collapse: collapse;"> <tr> <td style="width:10%;">Serie</td> <td style="width:90%;">72,8</td> </tr> <tr> <td>Totalt</td> <td>0,0</td> </tr> </table> | Serie | 72,8 | Totalt | 0,0 |
| Serie                                                                                         | 103,7                                                                                                                                                                                                                                                                                                                                                                                                                                                                                                             |       |       |        |     |                                                                                                 |                                                                                                                                                                                                                                                                                                                                                                                                                        |       |      |        |     |
| Totalt                                                                                        | 0,0                                                                                                                                                                                                                                                                                                                                                                                                                                                                                                               |       |       |        |     |                                                                                                 |                                                                                                                                                                                                                                                                                                                                                                                                                        |       |      |        |     |
| Serie                                                                                         | 72,8                                                                                                                                                                                                                                                                                                                                                                                                                                                                                                              |       |       |        |     |                                                                                                 |                                                                                                                                                                                                                                                                                                                                                                                                                        |       |      |        |     |
| Totalt                                                                                        | 0,0                                                                                                                                                                                                                                                                                                                                                                                                                                                                                                               |       |       |        |     |                                                                                                 |                                                                                                                                                                                                                                                                                                                                                                                                                        |       |      |        |     |

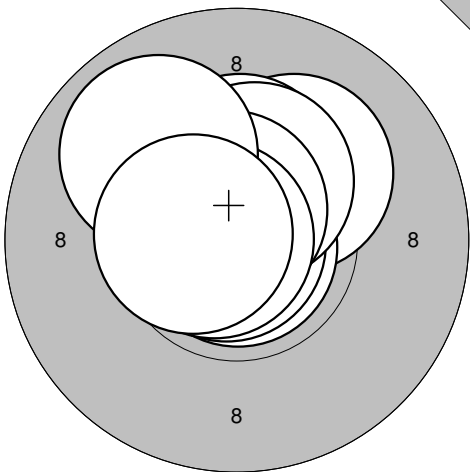
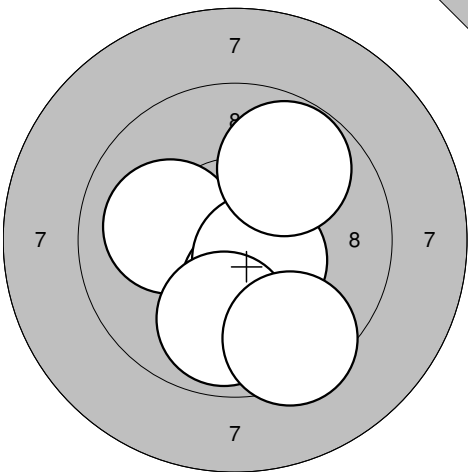
|                                                                                                  |                                                                                                                                                                                                                                                                                                                                                                                                                                                                                                                        |       |       |        |       |                                                                                                    |                                                                                                                                                                                                                                                                                                                                                                                                                                                                                                                                 |       |       |        |       |
|--------------------------------------------------------------------------------------------------|------------------------------------------------------------------------------------------------------------------------------------------------------------------------------------------------------------------------------------------------------------------------------------------------------------------------------------------------------------------------------------------------------------------------------------------------------------------------------------------------------------------------|-------|-------|--------|-------|----------------------------------------------------------------------------------------------------|---------------------------------------------------------------------------------------------------------------------------------------------------------------------------------------------------------------------------------------------------------------------------------------------------------------------------------------------------------------------------------------------------------------------------------------------------------------------------------------------------------------------------------|-------|-------|--------|-------|
| <p>60 shot</p>  | <p>1: 10,5* ↓<br/>                 2: 10,2* ↑<br/>                 3: 10,7* ↗<br/>                 4: 10,2* ↑<br/>                 5: 10,7* ↑<br/>                 6: 10,7* ↑<br/>                 7: 10,7* ↗<br/>                 8: 10,8* ↙<br/>                 9: 10,3* ↓<br/>                 10: 10,6* ↘</p> <table border="1" style="width:100%; border-collapse: collapse;"> <tr> <td style="width:10%;">Serie</td> <td style="width:90%;">105,4</td> </tr> <tr> <td>Totalt</td> <td>105,4</td> </tr> </table> | Serie | 105,4 | Totalt | 105,4 | <p>60 shot</p>  | <p>11: 10,4* ➤<br/>                 12: 10,6* ↗<br/>                 13: 10,8* ↑<br/>                 14: 10,8* ←<br/>                 15: 10,5* ↓<br/>                 16: 10,7* ➤<br/>                 17: 10,5* ↓<br/>                 18: 10,5* ↖<br/>                 19: 10,3* ↑<br/>                 20: 10,3* ↓</p> <table border="1" style="width:100%; border-collapse: collapse;"> <tr> <td style="width:10%;">Serie</td> <td style="width:90%;">105,4</td> </tr> <tr> <td>Totalt</td> <td>210,8</td> </tr> </table> | Serie | 105,4 | Totalt | 210,8 |
| Serie                                                                                            | 105,4                                                                                                                                                                                                                                                                                                                                                                                                                                                                                                                  |       |       |        |       |                                                                                                    |                                                                                                                                                                                                                                                                                                                                                                                                                                                                                                                                 |       |       |        |       |
| Totalt                                                                                           | 105,4                                                                                                                                                                                                                                                                                                                                                                                                                                                                                                                  |       |       |        |       |                                                                                                    |                                                                                                                                                                                                                                                                                                                                                                                                                                                                                                                                 |       |       |        |       |
| Serie                                                                                            | 105,4                                                                                                                                                                                                                                                                                                                                                                                                                                                                                                                  |       |       |        |       |                                                                                                    |                                                                                                                                                                                                                                                                                                                                                                                                                                                                                                                                 |       |       |        |       |
| Totalt                                                                                           | 210,8                                                                                                                                                                                                                                                                                                                                                                                                                                                                                                                  |       |       |        |       |                                                                                                    |                                                                                                                                                                                                                                                                                                                                                                                                                                                                                                                                 |       |       |        |       |

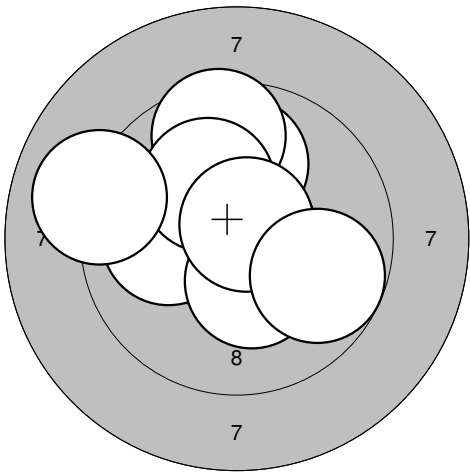
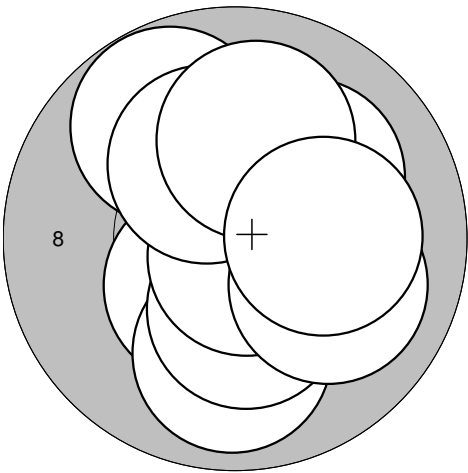
|                                                                                                   |                                                                                                                                                                                                                                                                                                                                                                                                                                                                                                                                |       |       |        |       |                                                                                                     |                                                                                                                                                                                                                                                                                                                                                                                                                                                                                                                               |       |       |        |       |
|---------------------------------------------------------------------------------------------------|--------------------------------------------------------------------------------------------------------------------------------------------------------------------------------------------------------------------------------------------------------------------------------------------------------------------------------------------------------------------------------------------------------------------------------------------------------------------------------------------------------------------------------|-------|-------|--------|-------|-----------------------------------------------------------------------------------------------------|-------------------------------------------------------------------------------------------------------------------------------------------------------------------------------------------------------------------------------------------------------------------------------------------------------------------------------------------------------------------------------------------------------------------------------------------------------------------------------------------------------------------------------|-------|-------|--------|-------|
| <p>60 shot</p>  | <p>21: 10,8* ↗<br/>                 22: 10,7* ↑<br/>                 23: 10,7* ➤<br/>                 24: 10,7* ↑<br/>                 25: 10,5* ➤<br/>                 26: 10,1 ↓<br/>                 27: 10,5* ➤<br/>                 28: 10,5* ↗<br/>                 29: 10,6* ←<br/>                 30: 10,8* ➤</p> <table border="1" style="width:100%; border-collapse: collapse;"> <tr> <td style="width:10%;">Serie</td> <td style="width:90%;">105,9</td> </tr> <tr> <td>Totalt</td> <td>316,7</td> </tr> </table> | Serie | 105,9 | Totalt | 316,7 | <p>60 shot</p>  | <p>31: 10,7* ↗<br/>                 32: 10,7* ↓<br/>                 33: 10,7* ↙<br/>                 34: 10,7* ↑<br/>                 35: 10,6* ➤<br/>                 36: 9,3 ↑<br/>                 37: 10,5* ↗<br/>                 38: 10,3* ↑<br/>                 39: 10,7* ➤<br/>                 40: 10,8* ↙</p> <table border="1" style="width:100%; border-collapse: collapse;"> <tr> <td style="width:10%;">Serie</td> <td style="width:90%;">105,0</td> </tr> <tr> <td>Totalt</td> <td>421,7</td> </tr> </table> | Serie | 105,0 | Totalt | 421,7 |
| Serie                                                                                             | 105,9                                                                                                                                                                                                                                                                                                                                                                                                                                                                                                                          |       |       |        |       |                                                                                                     |                                                                                                                                                                                                                                                                                                                                                                                                                                                                                                                               |       |       |        |       |
| Totalt                                                                                            | 316,7                                                                                                                                                                                                                                                                                                                                                                                                                                                                                                                          |       |       |        |       |                                                                                                     |                                                                                                                                                                                                                                                                                                                                                                                                                                                                                                                               |       |       |        |       |
| Serie                                                                                             | 105,0                                                                                                                                                                                                                                                                                                                                                                                                                                                                                                                          |       |       |        |       |                                                                                                     |                                                                                                                                                                                                                                                                                                                                                                                                                                                                                                                               |       |       |        |       |
| Totalt                                                                                            | 421,7                                                                                                                                                                                                                                                                                                                                                                                                                                                                                                                          |       |       |        |       |                                                                                                     |                                                                                                                                                                                                                                                                                                                                                                                                                                                                                                                               |       |       |        |       |

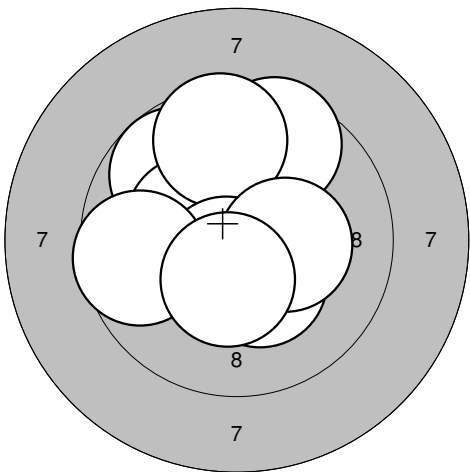
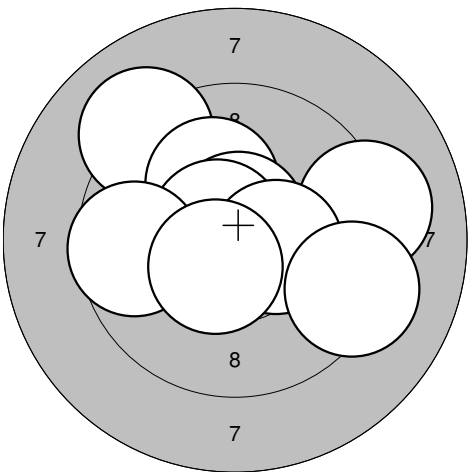
|                                                                                               |                                                                                                                                                                          |                                                                                                 |                                                                                                              |
|-----------------------------------------------------------------------------------------------|--------------------------------------------------------------------------------------------------------------------------------------------------------------------------|-------------------------------------------------------------------------------------------------|--------------------------------------------------------------------------------------------------------------|
| <p>Sight</p>  | <p>1: 10,6* →</p> <p>2: 10,1 ←</p> <p>3: 9,8 ↗</p> <p>4: 9,4 ←</p> <p>5: 10,0 ↗</p> <p>6: 10,2* ↗</p> <p>7: 9,9 ↗</p> <p>8: 9,5 ↗</p> <p>9: 9,2 ←</p> <p>10: 10,7* ↗</p> | <p>Sight</p>  | <p>11: 10,1 →</p> <p>12: 10,7* ↗</p> <p>13: 9,1 ←</p> <p>14: 9,2 ↘</p> <p>15: 10,2* ↘</p> <p>16: 10,7* ↘</p> |
| Serie 99,4                                                                                    |                                                                                                                                                                          | Serie 60,0                                                                                      |                                                                                                              |
| Totalt 0,0                                                                                    |                                                                                                                                                                          | Totalt 0,0                                                                                      |                                                                                                              |

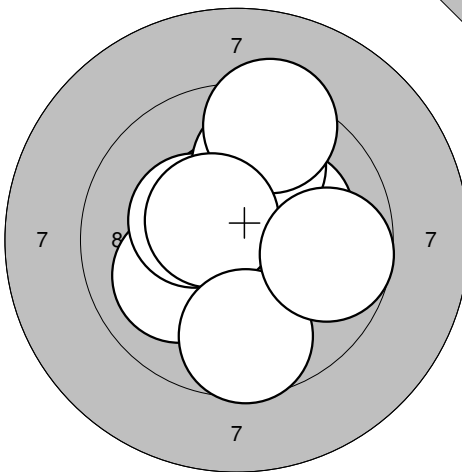
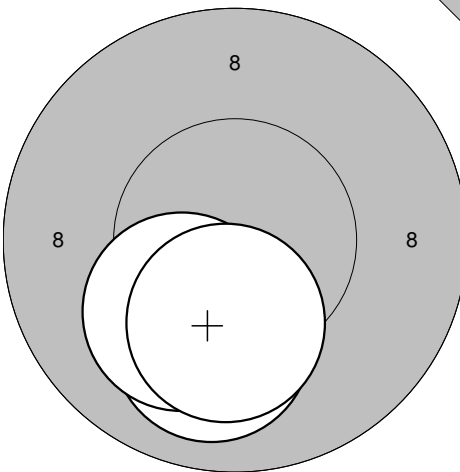
|                                                                                                  |                                                                                                                                                                                  |                                                                                                    |                                                                                                                                                                                           |
|--------------------------------------------------------------------------------------------------|----------------------------------------------------------------------------------------------------------------------------------------------------------------------------------|----------------------------------------------------------------------------------------------------|-------------------------------------------------------------------------------------------------------------------------------------------------------------------------------------------|
| <p>60 shot</p>  | <p>1: 9,7 ↘</p> <p>2: 10,4* ↘</p> <p>3: 10,4* ↘</p> <p>4: 10,5* ↘</p> <p>5: 10,3* →</p> <p>6: 10,6* ←</p> <p>7: 10,7* ↗</p> <p>8: 10,6* ↘</p> <p>9: 9,8 ↗</p> <p>10: 10,7* ↘</p> | <p>60 shot</p>  | <p>11: 10,1 ↓</p> <p>12: 10,1 ↓</p> <p>13: 10,7* ↘</p> <p>14: 10,5* ↘</p> <p>15: 10,6* →</p> <p>16: 10,2* ↑</p> <p>17: 10,2* ↘</p> <p>18: 10,0 ↗</p> <p>19: 10,1 ←</p> <p>20: 10,5* ↑</p> |
| Serie 103,7                                                                                      |                                                                                                                                                                                  | Serie 103,0                                                                                        |                                                                                                                                                                                           |
| Totalt 103,7                                                                                     |                                                                                                                                                                                  | Totalt 206,7                                                                                       |                                                                                                                                                                                           |

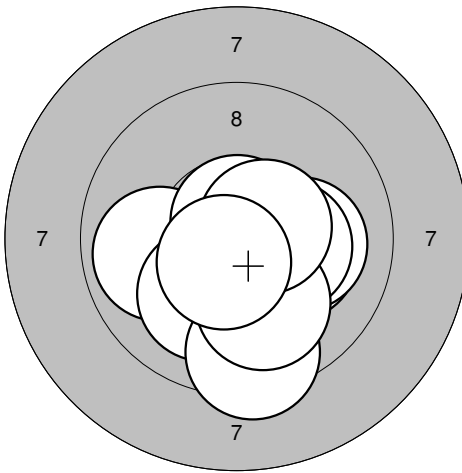
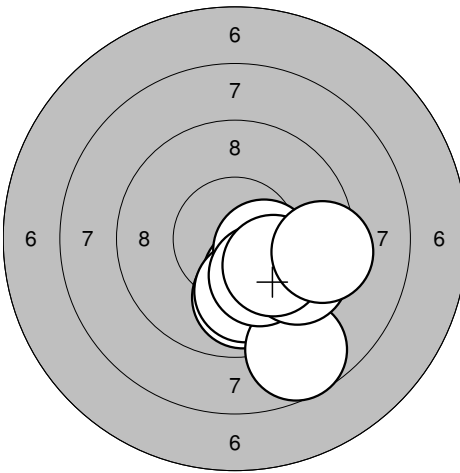
|                                                                                                   |                                                                                                                                                                                               |                                                                                                     |                                                                                                                                                                                       |
|---------------------------------------------------------------------------------------------------|-----------------------------------------------------------------------------------------------------------------------------------------------------------------------------------------------|-----------------------------------------------------------------------------------------------------|---------------------------------------------------------------------------------------------------------------------------------------------------------------------------------------|
| <p>60 shot</p>  | <p>21: 10,7* ↘</p> <p>22: 10,8* ↘</p> <p>23: 10,6* →</p> <p>24: 10,3* →</p> <p>25: 10,4* ↘</p> <p>26: 10,3* →</p> <p>27: 10,5* ↘</p> <p>28: 10,8* ↘</p> <p>29: 10,4* ←</p> <p>30: 10,5* ↘</p> | <p>60 shot</p>  | <p>31: 10,0 ↓</p> <p>32: 10,2* ←</p> <p>33: 9,6 ↘</p> <p>34: 9,9 ↗</p> <p>35: 9,8 →</p> <p>36: 10,5* ↗</p> <p>37: 10,7* ↘</p> <p>38: 10,1 ↘</p> <p>39: 10,5* ↘</p> <p>40: 10,6* ↘</p> |
| Serie 105,3                                                                                       |                                                                                                                                                                                               | Serie 101,9                                                                                         |                                                                                                                                                                                       |
| Totalt 312,0                                                                                      |                                                                                                                                                                                               | Totalt 413,9                                                                                        |                                                                                                                                                                                       |

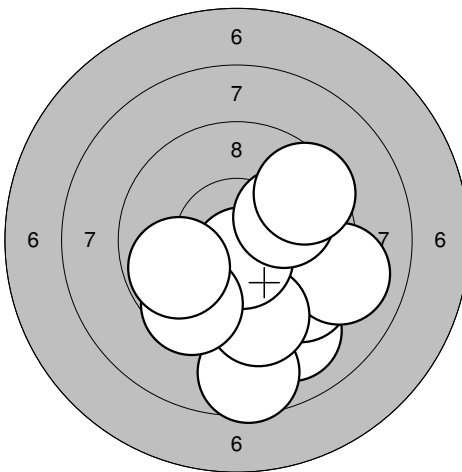
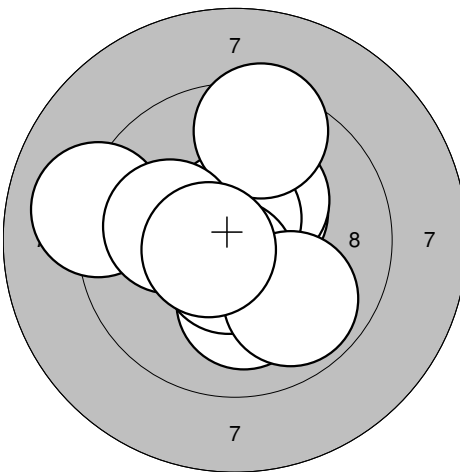
|                                                                                           |                                                                                                                                                                            |                                                                                             |                                                                                                                   |
|-------------------------------------------------------------------------------------------|----------------------------------------------------------------------------------------------------------------------------------------------------------------------------|---------------------------------------------------------------------------------------------|-------------------------------------------------------------------------------------------------------------------|
| Sight<br> | 1: 10,2* ↗<br>2: 10,9* ↓<br>3: 10,9* ←<br>4: 10,3* ↑<br>5: 10,5* ↑<br>6: 10,4* ↑<br>7: 10,7* ↑<br>8: 10,8* ←<br>9: 9,9 ↗<br>10: 10,6* ←<br><hr/> Serie 105,2<br>Totalt 0,0 | Sight<br> | 11: 10,1 ←<br>12: 10,3* ↓<br>13: 10,5* ↘<br>14: 9,9 ↓<br>15: 9,4 ↓<br>16: 9,8 ↗<br><hr/> Serie 60,0<br>Totalt 0,0 |
|-------------------------------------------------------------------------------------------|----------------------------------------------------------------------------------------------------------------------------------------------------------------------------|---------------------------------------------------------------------------------------------|-------------------------------------------------------------------------------------------------------------------|

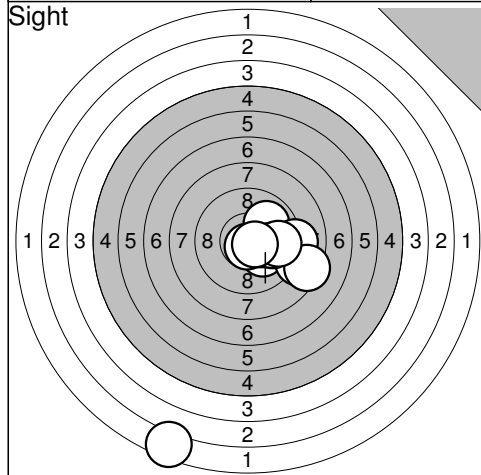
|                                                                                              |                                                                                                                                                                       |                                                                                                |                                                                                                                                                                                  |
|----------------------------------------------------------------------------------------------|-----------------------------------------------------------------------------------------------------------------------------------------------------------------------|------------------------------------------------------------------------------------------------|----------------------------------------------------------------------------------------------------------------------------------------------------------------------------------|
| 60 shot<br> | 1: 10,7* →<br>2: 10,7* ↘<br>3: 10,0 ←<br>4: 10,0 ↑<br>5: 10,3* ↓<br>6: 9,6 ↑<br>7: 10,1 ↗<br>8: 10,7* ↗<br>9: 9,8 ↘<br>10: 9,0 ←<br><hr/> Serie 100,9<br>Totalt 100,9 | 60 shot<br> | 11: 10,4* ↙<br>12: 9,9 ↓<br>13: 10,3* ↓<br>14: 10,1 ↗<br>15: 10,8* ↘<br>16: 9,8 ↗<br>17: 10,0 ↘<br>18: 10,2* ↗<br>19: 10,0 ↑<br>20: 10,2* →<br><hr/> Serie 101,7<br>Totalt 202,6 |
|----------------------------------------------------------------------------------------------|-----------------------------------------------------------------------------------------------------------------------------------------------------------------------|------------------------------------------------------------------------------------------------|----------------------------------------------------------------------------------------------------------------------------------------------------------------------------------|

|                                                                                               |                                                                                                                                                                                 |                                                                                                 |                                                                                                                                                                                 |
|-----------------------------------------------------------------------------------------------|---------------------------------------------------------------------------------------------------------------------------------------------------------------------------------|-------------------------------------------------------------------------------------------------|---------------------------------------------------------------------------------------------------------------------------------------------------------------------------------|
| 60 shot<br> | 21: 10,5* ↗<br>22: 9,8 ↗<br>23: 9,6 ↗<br>24: 10,3* ←<br>25: 9,6 ↑<br>26: 10,6* ↓<br>27: 10,3* ↓<br>28: 9,6 ←<br>29: 10,3* →<br>30: 10,4* ↓<br><hr/> Serie 101,0<br>Totalt 303,6 | 60 shot<br> | 31: 10,6* ↗<br>32: 9,1 ↗<br>33: 10,2* ↗<br>34: 10,7* ↑<br>35: 9,2 →<br>36: 10,7* ↗<br>37: 10,4* →<br>38: 9,6 ←<br>39: 9,3 ↘<br>40: 10,5* ↙<br><hr/> Serie 100,3<br>Totalt 403,9 |
|-----------------------------------------------------------------------------------------------|---------------------------------------------------------------------------------------------------------------------------------------------------------------------------------|-------------------------------------------------------------------------------------------------|---------------------------------------------------------------------------------------------------------------------------------------------------------------------------------|

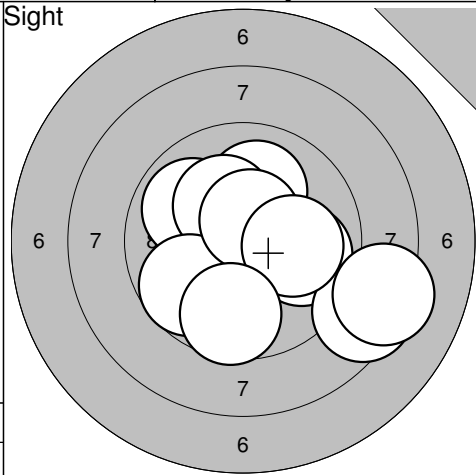
|                                                                                               |                                                                                                                                                                             |                                                                                                 |                                                        |
|-----------------------------------------------------------------------------------------------|-----------------------------------------------------------------------------------------------------------------------------------------------------------------------------|-------------------------------------------------------------------------------------------------|--------------------------------------------------------|
| <p>Sight</p>  | <p>1: 10,2* →</p> <p>2: 10,0 ←</p> <p>3: 10,5* ↑</p> <p>4: 10,5* ↑</p> <p>5: 10,3* ←</p> <p>6: 9,9 ↑</p> <p>7: 9,4 ↑</p> <p>8: 10,5* ↗</p> <p>9: 9,7 ↓</p> <p>10: 9,7 →</p> | <p>Sight</p>  | <p>11: 10,0 ↓</p> <p>12: 10,1 ↘</p> <p>13: 10,2* ↓</p> |
| Serie 100,7                                                                                   | Totalt 0,0                                                                                                                                                                  | Serie 30,3                                                                                      | Totalt 0,0                                             |

|                                                                                                  |                                                                                                                                                                               |                                                                                                    |                                                                                                                                                                                   |
|--------------------------------------------------------------------------------------------------|-------------------------------------------------------------------------------------------------------------------------------------------------------------------------------|----------------------------------------------------------------------------------------------------|-----------------------------------------------------------------------------------------------------------------------------------------------------------------------------------|
| <p>60 shot</p>  | <p>1: 9,9 ←</p> <p>2: 10,2* →</p> <p>3: 10,7* ↑</p> <p>4: 10,1 →</p> <p>5: 10,1 ↘</p> <p>6: 9,4 ↓</p> <p>7: 10,3* →</p> <p>8: 10,0 ↓</p> <p>9: 10,5* →</p> <p>10: 10,6* ↘</p> | <p>60 shot</p>  | <p>11: 10,2* ↓</p> <p>12: 9,9 ↓</p> <p>13: 9,9 ↘</p> <p>14: 10,0 ↓</p> <p>15: 10,4* ↘</p> <p>16: 8,7 ↘</p> <p>17: 10,2* ↓</p> <p>18: 9,7 ↘</p> <p>19: 10,1 ↘</p> <p>20: 9,4 →</p> |
| Serie 101,8                                                                                      | Totalt 101,8                                                                                                                                                                  | Serie 98,5                                                                                         | Totalt 200,3                                                                                                                                                                      |

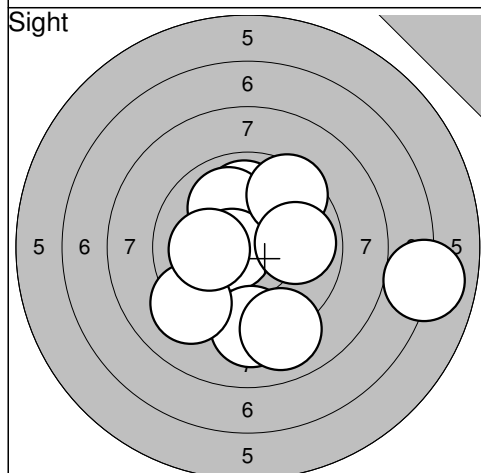
|                                                                                                   |                                                                                                                                                                              |                                                                                                     |                                                                                                                                                                                       |
|---------------------------------------------------------------------------------------------------|------------------------------------------------------------------------------------------------------------------------------------------------------------------------------|-----------------------------------------------------------------------------------------------------|---------------------------------------------------------------------------------------------------------------------------------------------------------------------------------------|
| <p>60 shot</p>  | <p>21: 9,1 ↓</p> <p>22: 9,5 ↘</p> <p>23: 8,6 ↓</p> <p>24: 9,0 →</p> <p>25: 9,6 ↓</p> <p>26: 10,6* ↓</p> <p>27: 9,6 ↘</p> <p>28: 10,0 →</p> <p>29: 9,5 →</p> <p>30: 9,8 ←</p> | <p>60 shot</p>  | <p>31: 10,4* ↗</p> <p>32: 10,3* ↗</p> <p>33: 10,7* ↑</p> <p>34: 10,1 ↓</p> <p>35: 9,5 ↑</p> <p>36: 10,6* ↓</p> <p>37: 9,1 ←</p> <p>38: 9,9 ↘</p> <p>39: 10,1 ←</p> <p>40: 10,6* ←</p> |
| Serie 95,3                                                                                        | Totalt 295,6                                                                                                                                                                 | Serie 101,3                                                                                         | Totalt 396,9                                                                                                                                                                          |



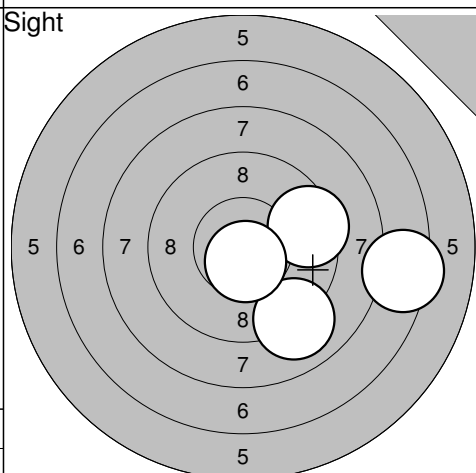
|               |             |
|---------------|-------------|
| 1: 10,2*      | ↘           |
| 2: 10,0       | ↗           |
| 3: 2,4        | ↓           |
| 4: 10,7*      | ↓           |
| 5: 8,8        | →           |
| 6: 10,0       | →           |
| 7: 9,1        | →           |
| 8: 8,4        | ↘           |
| 9: 9,7        | →           |
| 10: 10,6*     | ↘           |
| <b>Serie</b>  | <b>89,9</b> |
| <b>Totalt</b> | <b>0,0</b>  |



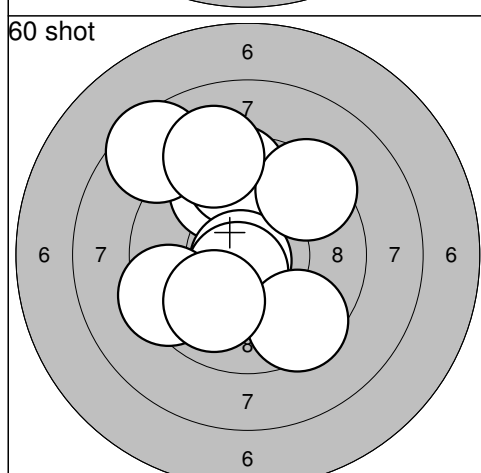
|               |             |
|---------------|-------------|
| 11: 9,9       | →           |
| 12: 9,9       | ↗           |
| 13: 10,1      | ↑           |
| 14: 10,3*     | ↗           |
| 15: 8,5       | ↘           |
| 16: 8,3       | ↘           |
| 17: 9,7       | ↙           |
| 18: 10,6*     | ↑           |
| 19: 10,1      | →           |
| 20: 9,6       | ↓           |
| <b>Serie</b>  | <b>97,0</b> |
| <b>Totalt</b> | <b>0,0</b>  |



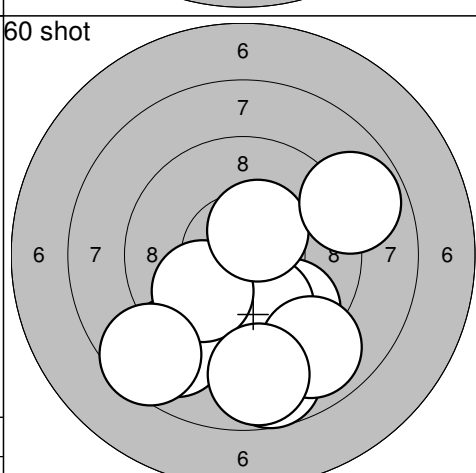
|               |             |
|---------------|-------------|
| 21: 10,0      | ↑           |
| 22: 10,0      | ↗           |
| 23: 10,6*     | ←           |
| 24: 9,5       | ↗           |
| 25: 7,0       | →           |
| 26: 9,2       | ↓           |
| 27: 9,2       | ↙           |
| 28: 10,1      | ←           |
| 29: 9,9       | →           |
| 30: 9,0       | ↓           |
| <b>Serie</b>  | <b>94,5</b> |
| <b>Totalt</b> | <b>0,0</b>  |



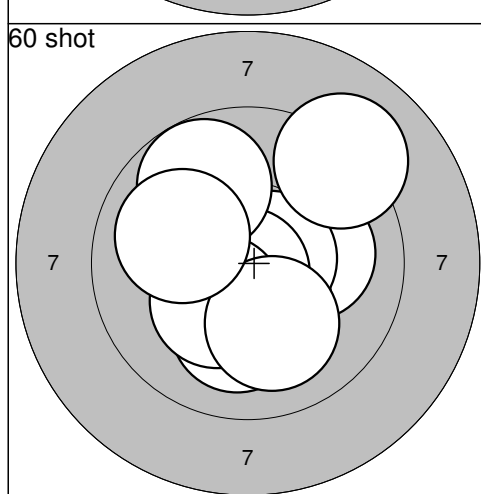
|               |             |
|---------------|-------------|
| 31: 7,4       | →           |
| 32: 9,0       | ↓           |
| 33: 9,5       | →           |
| 34: 10,6*     | ↓           |
| <b>Serie</b>  | <b>36,5</b> |
| <b>Totalt</b> | <b>0,0</b>  |



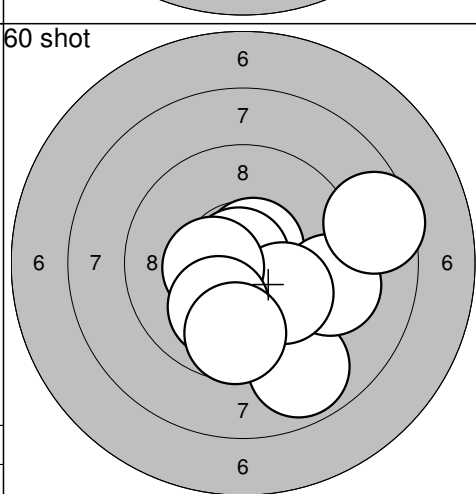
|               |             |
|---------------|-------------|
| 1: 9,7        | ↗           |
| 2: 9,5        | ↑           |
| 3: 10,8*      | ↙           |
| 4: 8,5        | ↗           |
| 5: 9,4        | ↗           |
| 6: 10,6*      | ↓           |
| 7: 9,5        | ↘           |
| 8: 9,4        | ↙           |
| 9: 9,1        | ↑           |
| 10: 9,9       | ↘           |
| <b>Serie</b>  | <b>96,4</b> |
| <b>Totalt</b> | <b>96,4</b> |



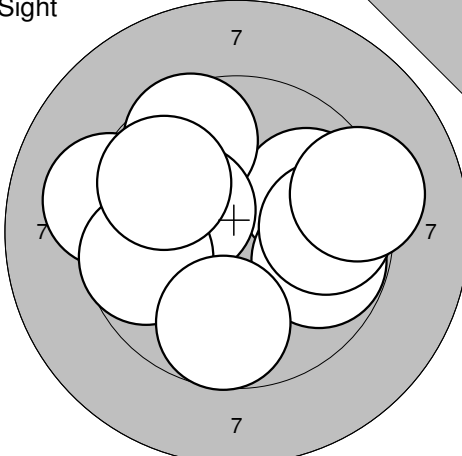
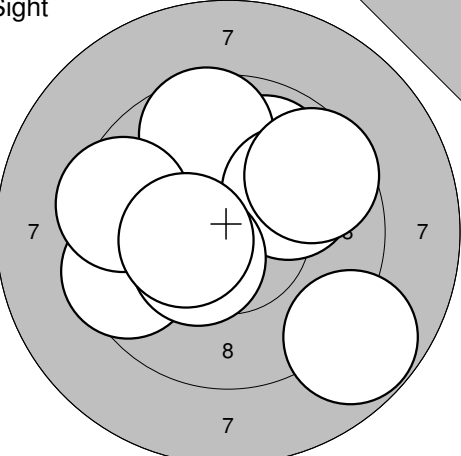
|               |              |
|---------------|--------------|
| 11: 9,7       | ↘            |
| 12: 9,0       | ↘            |
| 13: 10,0      | ↓            |
| 14: 10,0      | ↙            |
| 15: 10,4*     | ↗            |
| 16: 8,7       | ↓            |
| 17: 8,6       | ↙            |
| 18: 8,8       | →            |
| 19: 8,9       | ↓            |
| 20: 8,8       | ↓            |
| <b>Serie</b>  | <b>92,9</b>  |
| <b>Totalt</b> | <b>189,3</b> |

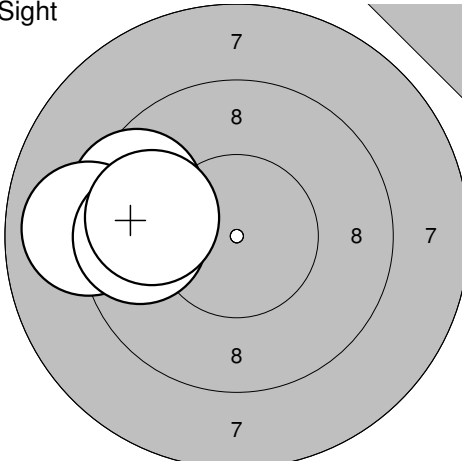
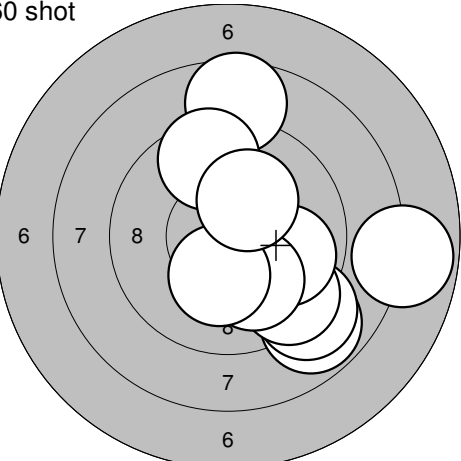


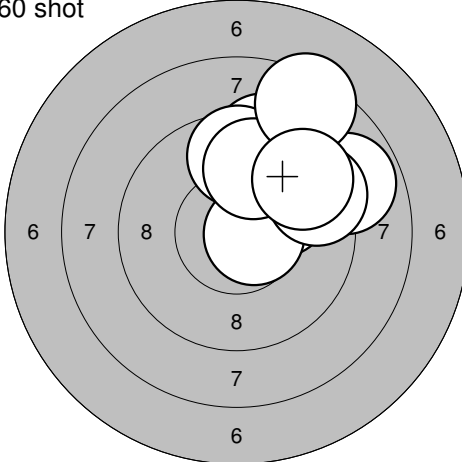
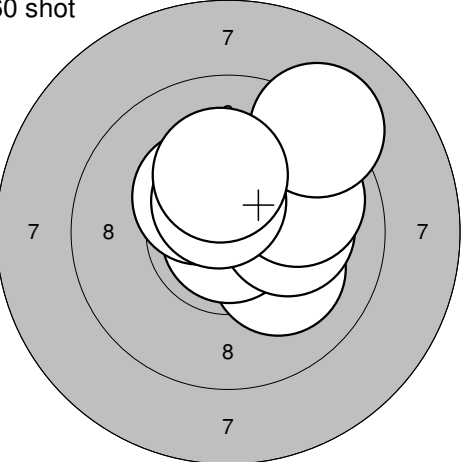
|               |              |
|---------------|--------------|
| 21: 10,1      | ↓            |
| 22: 10,1      | →            |
| 23: 10,4*     | ↘            |
| 24: 10,6*     | →            |
| 25: 10,8*     | ↘            |
| 26: 9,8       | ↗            |
| 27: 9,1       | ↗            |
| 28: 10,3*     | ↘            |
| 29: 10,1      | ↘            |
| 30: 10,0      | ↙            |
| <b>Serie</b>  | <b>101,3</b> |
| <b>Totalt</b> | <b>290,6</b> |

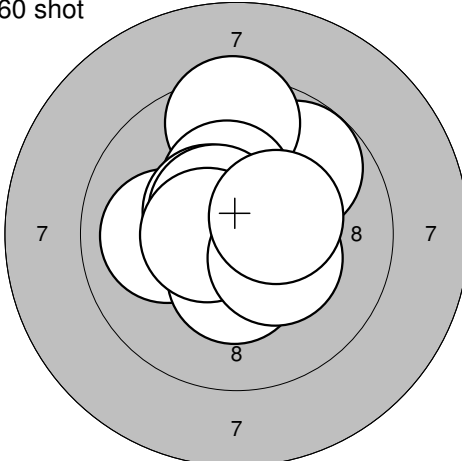


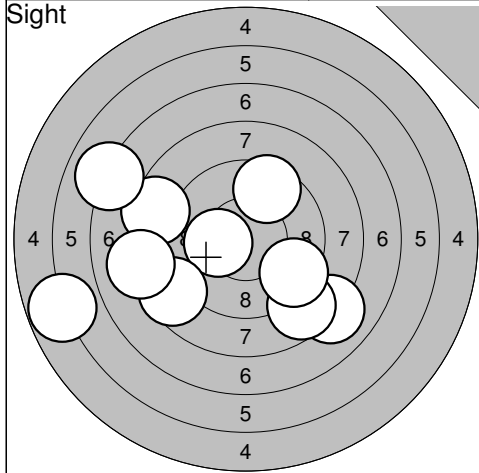
|               |              |
|---------------|--------------|
| 31: 10,6*     | ↗            |
| 32: 10,8*     | ←            |
| 33: 10,8*     | ↗            |
| 34: 8,9       | ↓            |
| 35: 9,4       | →            |
| 36: 8,5       | →            |
| 37: 10,1      | ↘            |
| 38: 10,4*     | ←            |
| 39: 10,1      | ↓            |
| 40: 9,7       | ↓            |
| <b>Serie</b>  | <b>99,3</b>  |
| <b>Totalt</b> | <b>389,9</b> |

|                                                                                               |                                                                                                                                                                                                        |                                                                                                 |                                                                                                                                                                                                                      |
|-----------------------------------------------------------------------------------------------|--------------------------------------------------------------------------------------------------------------------------------------------------------------------------------------------------------|-------------------------------------------------------------------------------------------------|----------------------------------------------------------------------------------------------------------------------------------------------------------------------------------------------------------------------|
| <p>Sight</p>  | <p>1: 9,9 →</p> <p>2: 9,8 →</p> <p>3: 9,7 →</p> <p>4: 9,3 →</p> <p>5: 9,6 ↗</p> <p>6: 9,2 ←</p> <p>7: 10,2* ↖</p> <p>8: 9,7 ←</p> <p>9: 9,7 ↓</p> <p>10: 9,8 ↙</p> <p>Serie 96,9</p> <p>Totalt 0,0</p> | <p>Sight</p>  | <p>11: 9,9 ↗</p> <p>12: 9,6 ↑</p> <p>13: 10,0 →</p> <p>14: 9,6 ↗</p> <p>15: 10,4* ↖</p> <p>16: 9,5 ←</p> <p>17: 9,5 ←</p> <p>18: 10,4* ↖</p> <p>19: 10,4* ←</p> <p>20: 8,8 ↘</p> <p>Serie 98,1</p> <p>Totalt 0,0</p> |
|-----------------------------------------------------------------------------------------------|--------------------------------------------------------------------------------------------------------------------------------------------------------------------------------------------------------|-------------------------------------------------------------------------------------------------|----------------------------------------------------------------------------------------------------------------------------------------------------------------------------------------------------------------------|

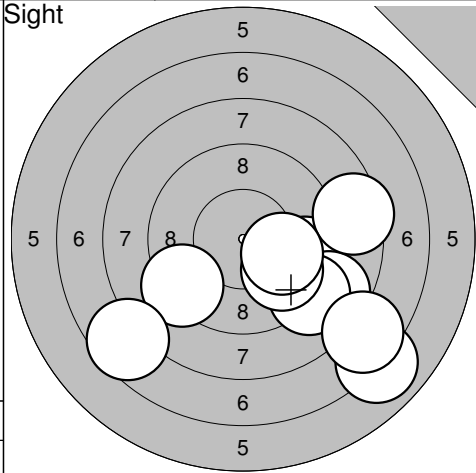
|                                                                                                |                                                                                                         |                                                                                                    |                                                                                                                                                                                                            |
|------------------------------------------------------------------------------------------------|---------------------------------------------------------------------------------------------------------|----------------------------------------------------------------------------------------------------|------------------------------------------------------------------------------------------------------------------------------------------------------------------------------------------------------------|
| <p>Sight</p>  | <p>21: 9,5 ←</p> <p>22: 9,0 ←</p> <p>23: 9,7 ←</p> <p>24: 9,8 ←</p> <p>Serie 38,0</p> <p>Totalt 0,0</p> | <p>60 shot</p>  | <p>1: 8,8 ↘</p> <p>2: 9,0 ↘</p> <p>3: 7,9 →</p> <p>4: 9,5 ↘</p> <p>5: 9,9 →</p> <p>6: 10,1 ↘</p> <p>7: 10,2* ↓</p> <p>8: 8,6 ↑</p> <p>9: 9,6 ↑</p> <p>10: 10,2* ↗</p> <p>Serie 93,8</p> <p>Totalt 93,8</p> |
|------------------------------------------------------------------------------------------------|---------------------------------------------------------------------------------------------------------|----------------------------------------------------------------------------------------------------|------------------------------------------------------------------------------------------------------------------------------------------------------------------------------------------------------------|

|                                                                                                   |                                                                                                                                                                                                                     |                                                                                                     |                                                                                                                                                                                                                               |
|---------------------------------------------------------------------------------------------------|---------------------------------------------------------------------------------------------------------------------------------------------------------------------------------------------------------------------|-----------------------------------------------------------------------------------------------------|-------------------------------------------------------------------------------------------------------------------------------------------------------------------------------------------------------------------------------|
| <p>60 shot</p>  | <p>11: 8,8 →</p> <p>12: 10,1 ↗</p> <p>13: 10,0 ↗</p> <p>14: 10,6* →</p> <p>15: 9,4 →</p> <p>16: 9,3 ↑</p> <p>17: 9,6 ↑</p> <p>18: 9,8 ↑</p> <p>19: 8,4 ↗</p> <p>20: 9,5 ↗</p> <p>Serie 95,5</p> <p>Totalt 189,3</p> | <p>60 shot</p>  | <p>21: 10,6* ↗</p> <p>22: 10,1 ↘</p> <p>23: 10,9* ↓</p> <p>24: 10,0 ↗</p> <p>25: 10,1 →</p> <p>26: 9,9 →</p> <p>27: 10,4* ↗</p> <p>28: 9,1 ↗</p> <p>29: 10,5* ↑</p> <p>30: 10,2* ↑</p> <p>Serie 101,8</p> <p>Totalt 291,1</p> |
|---------------------------------------------------------------------------------------------------|---------------------------------------------------------------------------------------------------------------------------------------------------------------------------------------------------------------------|-----------------------------------------------------------------------------------------------------|-------------------------------------------------------------------------------------------------------------------------------------------------------------------------------------------------------------------------------|

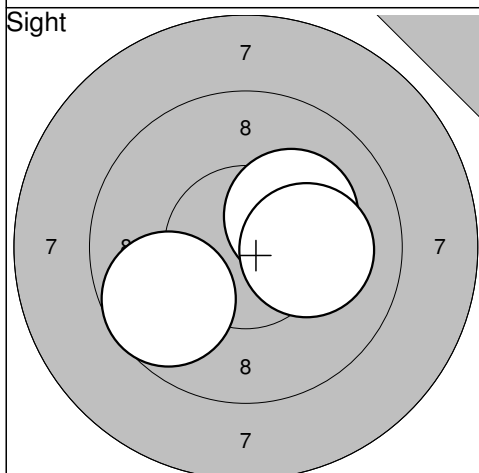
|                                                                                                   |                                                                                                                                                                                                                                 |  |  |
|---------------------------------------------------------------------------------------------------|---------------------------------------------------------------------------------------------------------------------------------------------------------------------------------------------------------------------------------|--|--|
| <p>60 shot</p>  | <p>31: 9,8 ↗</p> <p>32: 10,0 ←</p> <p>33: 9,5 ↑</p> <p>34: 10,3* ↑</p> <p>35: 10,5* ↗</p> <p>36: 10,5* ↗</p> <p>37: 10,4* ↓</p> <p>38: 10,6* ←</p> <p>39: 10,3* ↘</p> <p>40: 10,4* ↗</p> <p>Serie 102,3</p> <p>Totalt 393,4</p> |  |  |
|---------------------------------------------------------------------------------------------------|---------------------------------------------------------------------------------------------------------------------------------------------------------------------------------------------------------------------------------|--|--|



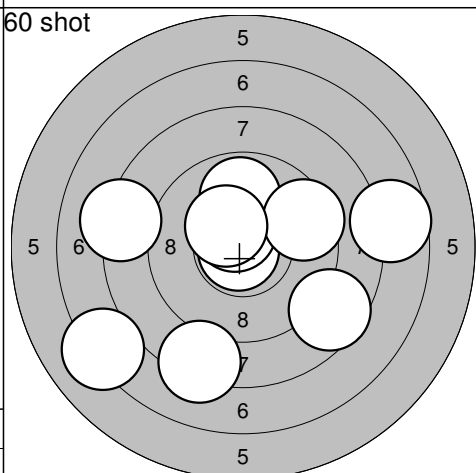
|               |             |
|---------------|-------------|
| 1: 8,5        | ←           |
| 2: 10,2*      | ←           |
| 3: 5,8        | ←           |
| 4: 8,6        | ↙           |
| 5: 8,1        | ←           |
| 6: 7,0        | ↗           |
| 7: 8,0        | ↘           |
| 8: 8,7        | ↘           |
| 9: 9,4        | ↘           |
| 10: 9,5       | ↗           |
| <b>Serie</b>  | <b>83,8</b> |
| <b>Totalt</b> | <b>0,0</b>  |



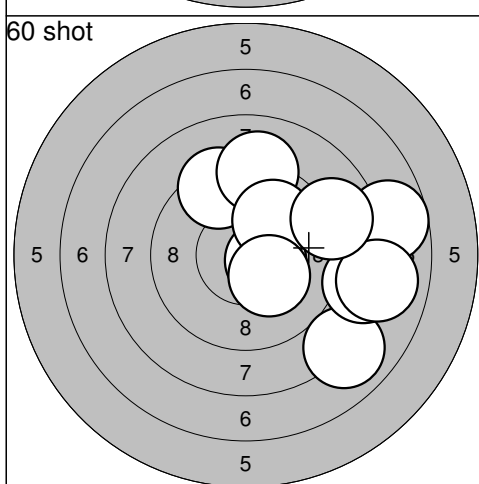
|               |             |
|---------------|-------------|
| 11: 9,5       | →           |
| 12: 8,7       | ↘           |
| 13: 9,0       | ↘           |
| 14: 9,3       | ↙           |
| 15: 8,5       | →           |
| 16: 7,0       | ↘           |
| 17: 9,9       | ↘           |
| 18: 10,0      | ↘           |
| 19: 7,6       | ↘           |
| 20: 7,6       | ↙           |
| <b>Serie</b>  | <b>87,1</b> |
| <b>Totalt</b> | <b>0,0</b>  |



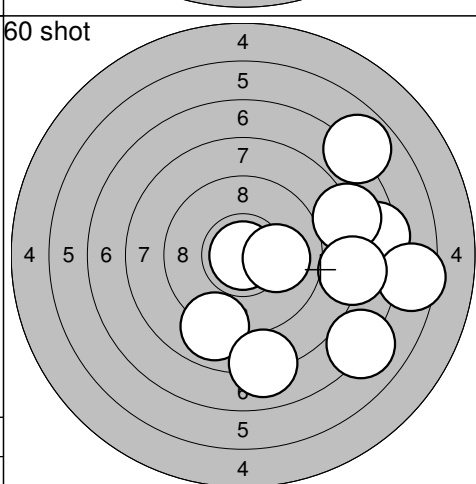
|               |             |
|---------------|-------------|
| 21: 9,7       | ↙           |
| 22: 10,2*     | ↗           |
| 23: 10,1      | →           |
| <b>Serie</b>  | <b>30,0</b> |
| <b>Totalt</b> | <b>0,0</b>  |



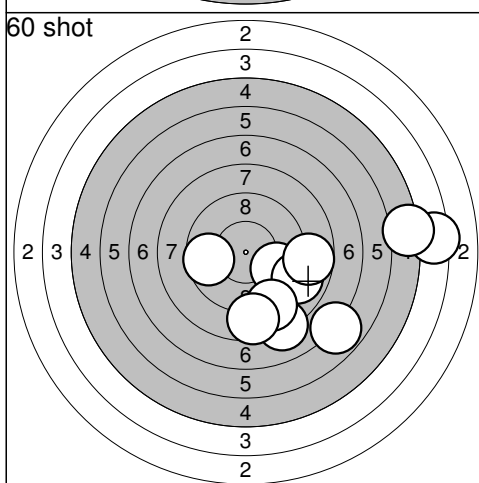
|               |             |
|---------------|-------------|
| 1: 7,7        | →           |
| 2: 10,8*      | ↙           |
| 3: 10,6*      | ↗           |
| 4: 8,6        | ↘           |
| 5: 9,9        | ↑           |
| 6: 7,1        | ↙           |
| 7: 8,3        | ↘           |
| 8: 9,5        | →           |
| 9: 8,2        | ←           |
| 10: 10,4*     | ↗           |
| <b>Serie</b>  | <b>91,1</b> |
| <b>Totalt</b> | <b>91,1</b> |



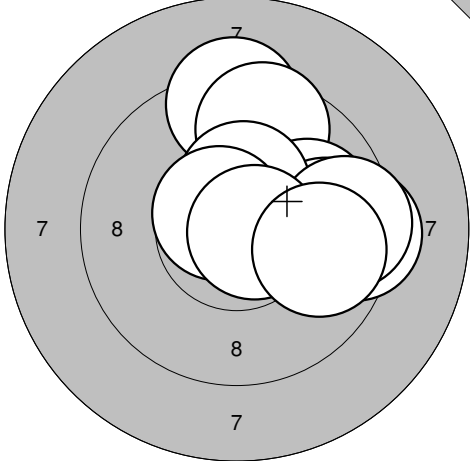
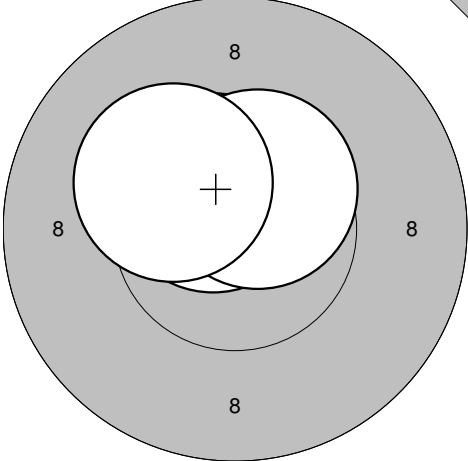
|               |              |
|---------------|--------------|
| 11: 10,5*     | →            |
| 12: 8,0       | ↘            |
| 13: 9,4       | ↗            |
| 14: 9,1       | ↑            |
| 15: 7,7       | →            |
| 16: 8,3       | →            |
| 17: 10,0      | ↗            |
| 18: 8,0       | →            |
| 19: 10,3*     | ↘            |
| 20: 8,9       | →            |
| <b>Serie</b>  | <b>90,2</b>  |
| <b>Totalt</b> | <b>181,3</b> |

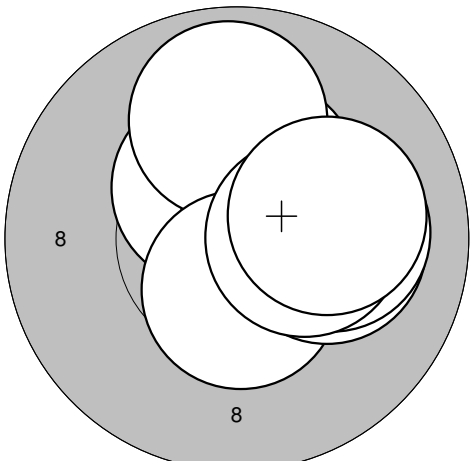
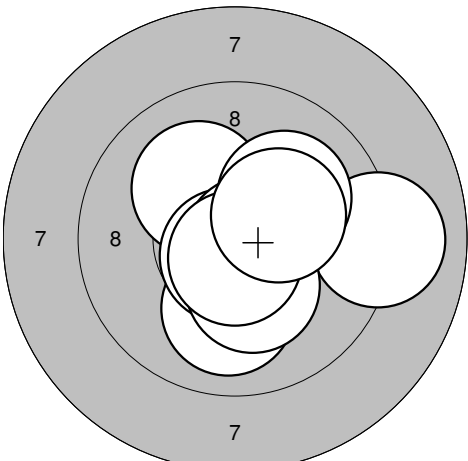


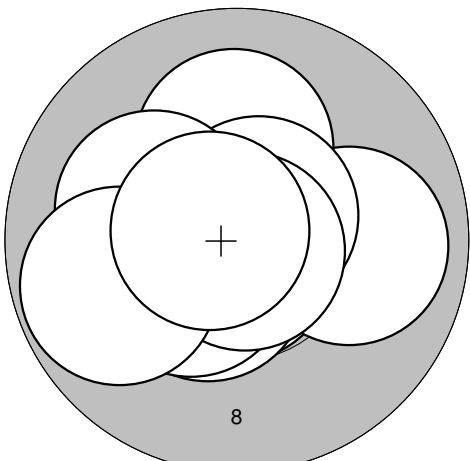
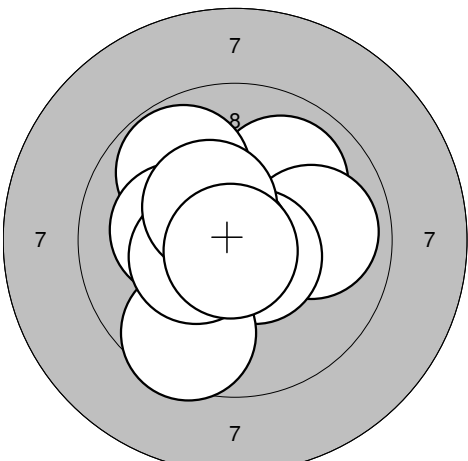
|               |              |
|---------------|--------------|
| 21: 8,9       | ↘            |
| 22: 8,1       | ↘            |
| 23: 7,4       | →            |
| 24: 10,9*     | ↘            |
| 25: 6,5       | →            |
| 26: 8,0       | →            |
| 27: 8,0       | →            |
| 28: 10,1      | →            |
| 29: 6,9       | ↗            |
| 30: 7,1       | ↘            |
| <b>Serie</b>  | <b>81,9</b>  |
| <b>Totalt</b> | <b>263,2</b> |



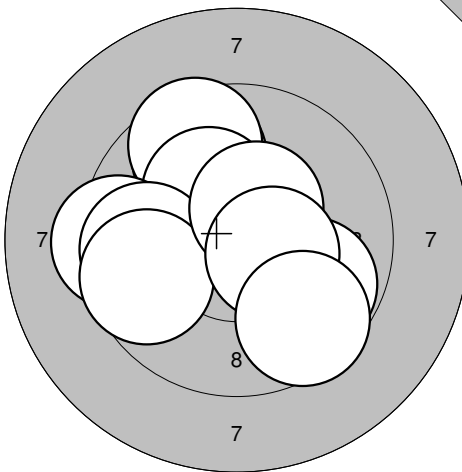
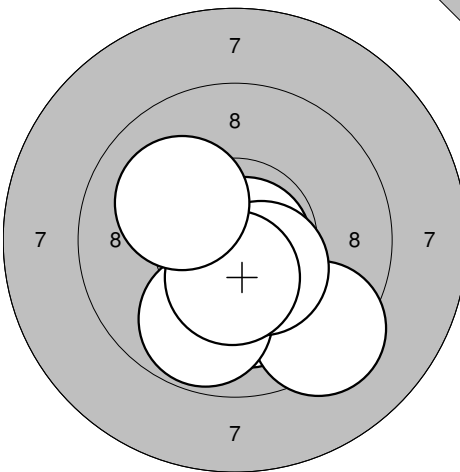
|               |              |
|---------------|--------------|
| 31: 9,7       | ↘            |
| 32: 4,3       | →            |
| 33: 5,2       | →            |
| 34: 8,1       | ↘            |
| 35: 8,9       | ↘            |
| 36: 8,7       | →            |
| 37: 9,6       | ←            |
| 38: 8,9       | ↘            |
| 39: 8,6       | ↘            |
| 40: 6,8       | ↘            |
| <b>Serie</b>  | <b>78,8</b>  |
| <b>Totalt</b> | <b>342,0</b> |

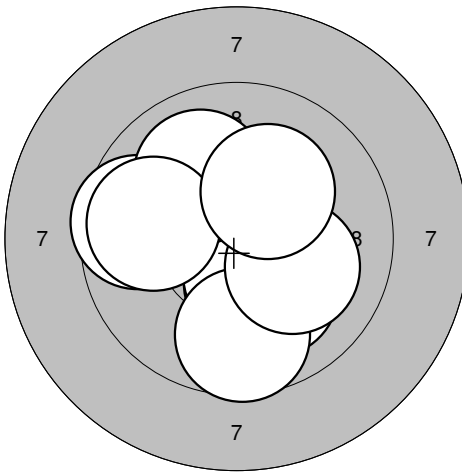
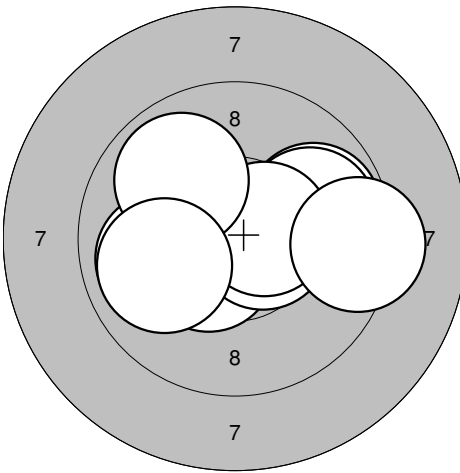
|                                                                                  |               |                                                                                    |                |
|----------------------------------------------------------------------------------|---------------|------------------------------------------------------------------------------------|----------------|
| Sight                                                                            |               | Sight                                                                              |                |
|  | 1: 9,3    ↑   |  | 11: 10,6*    ↖ |
|                                                                                  | 2: 9,6    ↑   |                                                                                    | 12: 10,5*    ↗ |
|                                                                                  | 3: 10,0    →  |                                                                                    | 13: 10,3*    ↖ |
|                                                                                  | 4: 9,8    →   |                                                                                    |                |
|                                                                                  | 5: 10,4*    ↑ |                                                                                    |                |
|                                                                                  | 6: 9,4    →   |                                                                                    |                |
|                                                                                  | 7: 10,6*    ↖ |                                                                                    |                |
|                                                                                  | 8: 9,5    →   |                                                                                    |                |
|                                                                                  | 9: 10,7*    → |                                                                                    |                |
|                                                                                  | 10: 9,8    →  |                                                                                    |                |
| Serie    94,0                                                                    |               | Serie    30,0                                                                      |                |
| Totalt    0,0                                                                    |               | Totalt    0,0                                                                      |                |

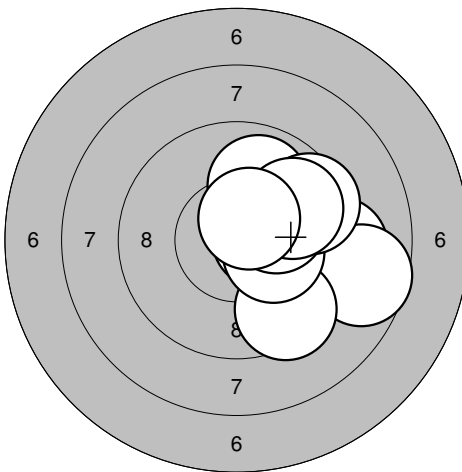
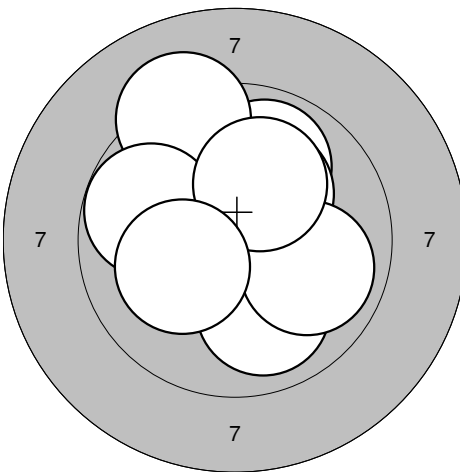
|                                                                                   |               |                                                                                     |                |
|-----------------------------------------------------------------------------------|---------------|-------------------------------------------------------------------------------------|----------------|
| 60 shot                                                                           |               | 60 shot                                                                             |                |
|  | 1: 10,4*    ↗ |  | 11: 10,8*    → |
|                                                                                   | 2: 10,3*    → |                                                                                     | 12: 10,1    ↖  |
|                                                                                   | 3: 10,4*    ↖ |                                                                                     | 13: 10,0    ↓  |
|                                                                                   | 4: 10,5*    → |                                                                                     | 14: 10,7*    ↘ |
|                                                                                   | 5: 9,9    ↑   |                                                                                     | 15: 10,7*    → |
|                                                                                   | 6: 10,5*    ↓ |                                                                                     | 16: 9,0    →   |
|                                                                                   | 7: 10,1    →  |                                                                                     | 17: 10,3*    ↓ |
|                                                                                   | 8: 10,1    →  |                                                                                     | 18: 10,1    ↗  |
|                                                                                   | 9: 10,3*    → |                                                                                     | 19: 10,7*    ↓ |
|                                                                                   | 10: 10,1    → |                                                                                     | 20: 10,3*    ↗ |
| Serie    99,0                                                                     |               | Serie    99,0                                                                       |                |
| Totalt    99,0                                                                    |               | Totalt    198,0                                                                     |                |

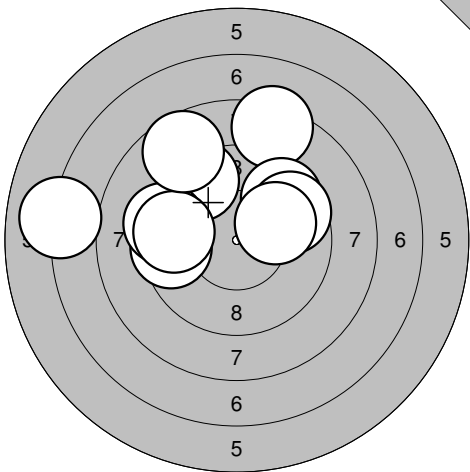
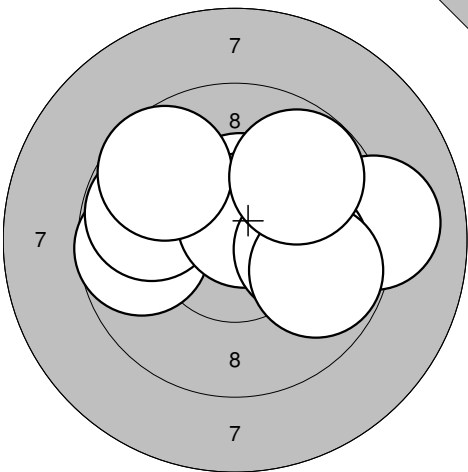
|                                                                                    |                |                                                                                      |                |
|------------------------------------------------------------------------------------|----------------|--------------------------------------------------------------------------------------|----------------|
| 60 shot                                                                            |                | 60 shot                                                                              |                |
|  | 21: 10,7*    ↓ |  | 31: 10,0    ↗  |
|                                                                                    | 22: 10,5*    ↘ |                                                                                      | 32: 9,8    ↖   |
|                                                                                    | 23: 10,4*    ↙ |                                                                                      | 33: 9,9    →   |
|                                                                                    | 24: 9,9    →   |                                                                                      | 34: 10,6*    ↘ |
|                                                                                    | 25: 10,1    ↑  |                                                                                      | 35: 10,8*    ← |
|                                                                                    | 26: 10,7*    ↗ |                                                                                      | 36: 10,2*    ← |
|                                                                                    | 27: 10,8*    ↘ |                                                                                      | 37: 9,6    ↓   |
|                                                                                    | 28: 10,2*    ↖ |                                                                                      | 38: 10,4*    ← |
|                                                                                    | 29: 9,8    ←   |                                                                                      | 39: 10,4*    ↖ |
|                                                                                    | 30: 10,7*    ↖ |                                                                                      | 40: 10,8*    ↓ |
| Serie    98,0                                                                      |                | Serie    97,0                                                                        |                |
| Totalt    296,0                                                                    |                | Totalt    393,0                                                                      |                |

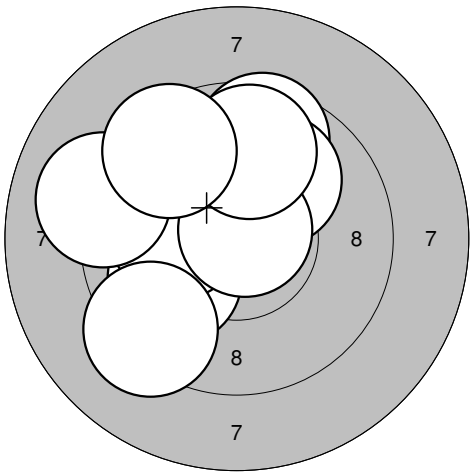
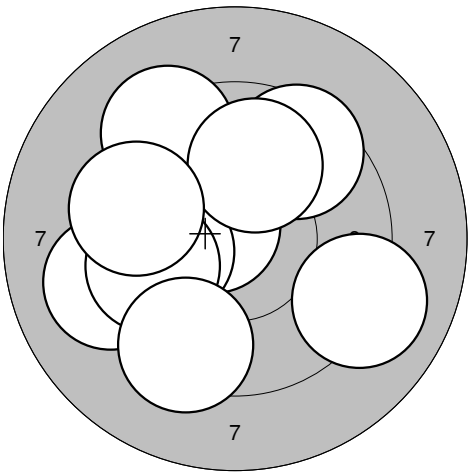


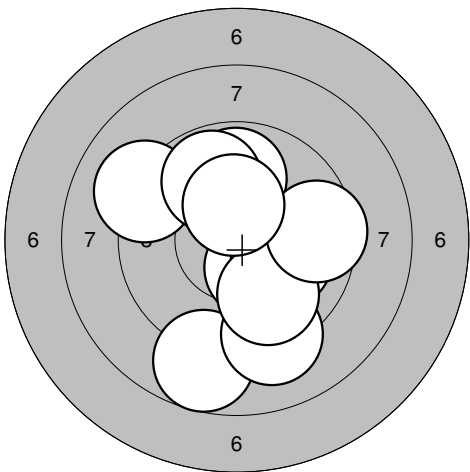
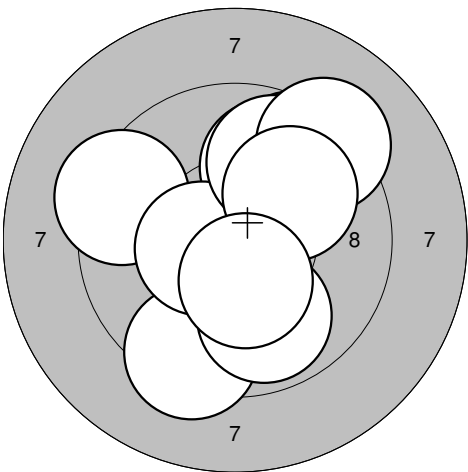
|                                                                                               |                                                                                                                                                                                                                                                                                                                                                                                                                                                           |       |      |        |     |                                                                                                 |                                                                                                                                                                                                                                                                                                                                                                         |       |      |        |     |
|-----------------------------------------------------------------------------------------------|-----------------------------------------------------------------------------------------------------------------------------------------------------------------------------------------------------------------------------------------------------------------------------------------------------------------------------------------------------------------------------------------------------------------------------------------------------------|-------|------|--------|-----|-------------------------------------------------------------------------------------------------|-------------------------------------------------------------------------------------------------------------------------------------------------------------------------------------------------------------------------------------------------------------------------------------------------------------------------------------------------------------------------|-------|------|--------|-----|
| <p>Sight</p>  | <p>1: 9,7 ↗<br/>                 2: 9,6 ↗<br/>                 3: 10,2* ↗<br/>                 4: 9,4 ←<br/>                 5: 9,7 ←<br/>                 6: 9,7 ←<br/>                 7: 10,4* ↗<br/>                 8: 9,8 ↘<br/>                 9: 10,4* →<br/>                 10: 9,6 ↘</p> <table border="1" style="width:100%; border-collapse: collapse;"> <tr><td>Serie</td><td>93,0</td></tr> <tr><td>Totalt</td><td>0,0</td></tr> </table> | Serie | 93,0 | Totalt | 0,0 | <p>Sight</p>  | <p>11: 10,8* →<br/>                 12: 10,1 ↓<br/>                 13: 9,3 ↘<br/>                 14: 9,8 ↓<br/>                 15: 10,4* ↘<br/>                 16: 10,4* ↓<br/>                 17: 10,1 ↖</p> <table border="1" style="width:100%; border-collapse: collapse;"> <tr><td>Serie</td><td>68,0</td></tr> <tr><td>Totalt</td><td>0,0</td></tr> </table> | Serie | 68,0 | Totalt | 0,0 |
| Serie                                                                                         | 93,0                                                                                                                                                                                                                                                                                                                                                                                                                                                      |       |      |        |     |                                                                                                 |                                                                                                                                                                                                                                                                                                                                                                         |       |      |        |     |
| Totalt                                                                                        | 0,0                                                                                                                                                                                                                                                                                                                                                                                                                                                       |       |      |        |     |                                                                                                 |                                                                                                                                                                                                                                                                                                                                                                         |       |      |        |     |
| Serie                                                                                         | 68,0                                                                                                                                                                                                                                                                                                                                                                                                                                                      |       |      |        |     |                                                                                                 |                                                                                                                                                                                                                                                                                                                                                                         |       |      |        |     |
| Totalt                                                                                        | 0,0                                                                                                                                                                                                                                                                                                                                                                                                                                                       |       |      |        |     |                                                                                                 |                                                                                                                                                                                                                                                                                                                                                                         |       |      |        |     |

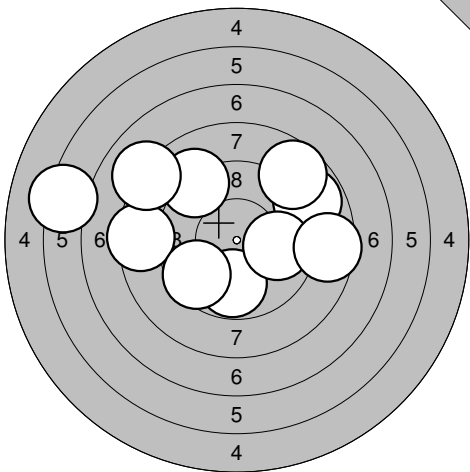
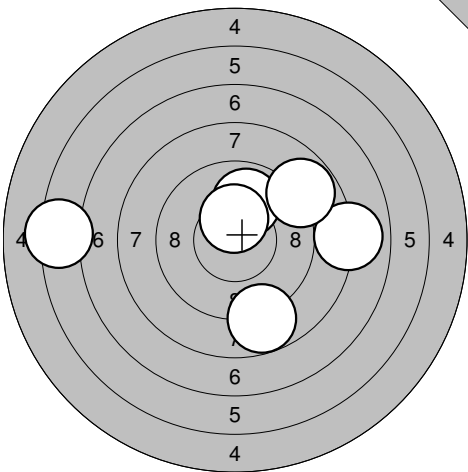
|                                                                                                  |                                                                                                                                                                                                                                                                                                                                                                                                                                                                 |       |      |        |      |                                                                                                    |                                                                                                                                                                                                                                                                                                                                                                                                                                                                         |       |      |        |       |
|--------------------------------------------------------------------------------------------------|-----------------------------------------------------------------------------------------------------------------------------------------------------------------------------------------------------------------------------------------------------------------------------------------------------------------------------------------------------------------------------------------------------------------------------------------------------------------|-------|------|--------|------|----------------------------------------------------------------------------------------------------|-------------------------------------------------------------------------------------------------------------------------------------------------------------------------------------------------------------------------------------------------------------------------------------------------------------------------------------------------------------------------------------------------------------------------------------------------------------------------|-------|------|--------|-------|
| <p>60 shot</p>  | <p>1: 10,4* ↘<br/>                 2: 9,6 ←<br/>                 3: 10,1 ↘<br/>                 4: 10,3* ↘<br/>                 5: 10,4* ↘<br/>                 6: 10,0 ↗<br/>                 7: 9,7 ↓<br/>                 8: 9,8 ←<br/>                 9: 10,1 ↘<br/>                 10: 10,2* ↗</p> <table border="1" style="width:100%; border-collapse: collapse;"> <tr><td>Serie</td><td>97,0</td></tr> <tr><td>Totalt</td><td>97,0</td></tr> </table> | Serie | 97,0 | Totalt | 97,0 | <p>60 shot</p>  | <p>11: 9,8 →<br/>                 12: 10,0 ←<br/>                 13: 10,6* ←<br/>                 14: 10,5* ↘<br/>                 15: 10,6* →<br/>                 16: 9,9 →<br/>                 17: 10,5* →<br/>                 18: 9,9 ↖<br/>                 19: 9,9 ←<br/>                 20: 9,3 →</p> <table border="1" style="width:100%; border-collapse: collapse;"> <tr><td>Serie</td><td>95,0</td></tr> <tr><td>Totalt</td><td>192,0</td></tr> </table> | Serie | 95,0 | Totalt | 192,0 |
| Serie                                                                                            | 97,0                                                                                                                                                                                                                                                                                                                                                                                                                                                            |       |      |        |      |                                                                                                    |                                                                                                                                                                                                                                                                                                                                                                                                                                                                         |       |      |        |       |
| Totalt                                                                                           | 97,0                                                                                                                                                                                                                                                                                                                                                                                                                                                            |       |      |        |      |                                                                                                    |                                                                                                                                                                                                                                                                                                                                                                                                                                                                         |       |      |        |       |
| Serie                                                                                            | 95,0                                                                                                                                                                                                                                                                                                                                                                                                                                                            |       |      |        |      |                                                                                                    |                                                                                                                                                                                                                                                                                                                                                                                                                                                                         |       |      |        |       |
| Totalt                                                                                           | 192,0                                                                                                                                                                                                                                                                                                                                                                                                                                                           |       |      |        |      |                                                                                                    |                                                                                                                                                                                                                                                                                                                                                                                                                                                                         |       |      |        |       |

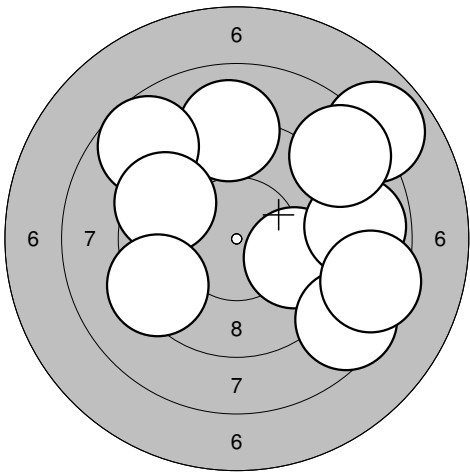
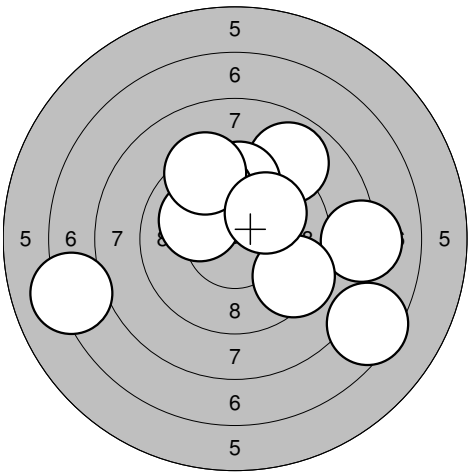
|                                                                                                   |                                                                                                                                                                                                                                                                                                                                                                                                                                                                        |       |      |        |       |                                                                                                     |                                                                                                                                                                                                                                                                                                                                                                                                                                                                         |       |      |        |       |
|---------------------------------------------------------------------------------------------------|------------------------------------------------------------------------------------------------------------------------------------------------------------------------------------------------------------------------------------------------------------------------------------------------------------------------------------------------------------------------------------------------------------------------------------------------------------------------|-------|------|--------|-------|-----------------------------------------------------------------------------------------------------|-------------------------------------------------------------------------------------------------------------------------------------------------------------------------------------------------------------------------------------------------------------------------------------------------------------------------------------------------------------------------------------------------------------------------------------------------------------------------|-------|------|--------|-------|
| <p>60 shot</p>  | <p>21: 10,5* →<br/>                 22: 9,2 →<br/>                 23: 8,7 →<br/>                 24: 9,4 ↘<br/>                 25: 10,3* →<br/>                 26: 9,9 ↗<br/>                 27: 9,5 →<br/>                 28: 10,2* →<br/>                 29: 9,8 →<br/>                 30: 10,5* ↗</p> <table border="1" style="width:100%; border-collapse: collapse;"> <tr><td>Serie</td><td>93,0</td></tr> <tr><td>Totalt</td><td>285,0</td></tr> </table> | Serie | 93,0 | Totalt | 285,0 | <p>60 shot</p>  | <p>31: 10,1 ↑<br/>                 32: 9,9 ↗<br/>                 33: 10,0 ↓<br/>                 34: 10,6* ↗<br/>                 35: 10,2* ↗<br/>                 36: 9,2 ↗<br/>                 37: 9,8 ←<br/>                 38: 9,9 →<br/>                 39: 10,1 ↗<br/>                 40: 10,2* ↖</p> <table border="1" style="width:100%; border-collapse: collapse;"> <tr><td>Serie</td><td>96,0</td></tr> <tr><td>Totalt</td><td>381,0</td></tr> </table> | Serie | 96,0 | Totalt | 381,0 |
| Serie                                                                                             | 93,0                                                                                                                                                                                                                                                                                                                                                                                                                                                                   |       |      |        |       |                                                                                                     |                                                                                                                                                                                                                                                                                                                                                                                                                                                                         |       |      |        |       |
| Totalt                                                                                            | 285,0                                                                                                                                                                                                                                                                                                                                                                                                                                                                  |       |      |        |       |                                                                                                     |                                                                                                                                                                                                                                                                                                                                                                                                                                                                         |       |      |        |       |
| Serie                                                                                             | 96,0                                                                                                                                                                                                                                                                                                                                                                                                                                                                   |       |      |        |       |                                                                                                     |                                                                                                                                                                                                                                                                                                                                                                                                                                                                         |       |      |        |       |
| Totalt                                                                                            | 381,0                                                                                                                                                                                                                                                                                                                                                                                                                                                                  |       |      |        |       |                                                                                                     |                                                                                                                                                                                                                                                                                                                                                                                                                                                                         |       |      |        |       |

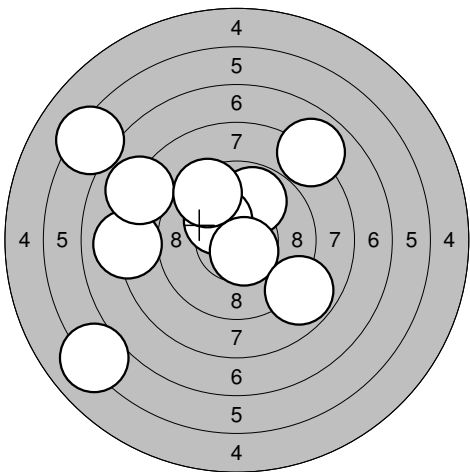
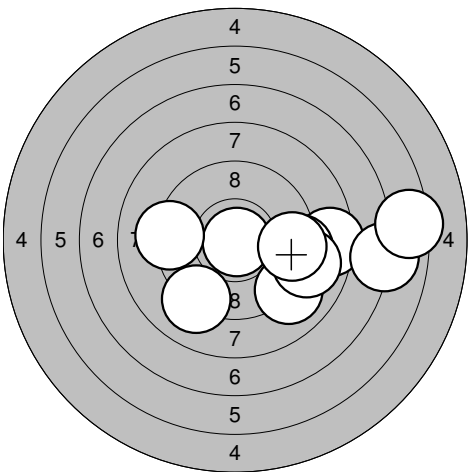
|                                                                                                                                                                   |                                                                                                                                                               |  |
|-------------------------------------------------------------------------------------------------------------------------------------------------------------------|---------------------------------------------------------------------------------------------------------------------------------------------------------------|--|
| <p>Sight</p>                                                                      | <p>Sight</p>                                                                |  |
| <p>1: 9,5 ←</p> <p>2: 9,4 ↗</p> <p>3: 8,4 ↗</p> <p>4: 9,3 ←</p> <p>5: 7,0 ←</p> <p>6: 9,6 ↗</p> <p>7: 9,6 ←</p> <p>8: 9,6 ↗</p> <p>9: 8,7 ↗</p> <p>10: 10,0 ↗</p> | <p>11: 9,1 →</p> <p>12: 10,4* ↑</p> <p>13: 9,7 ←</p> <p>14: 9,8 ←</p> <p>15: 10,7* ↗</p> <p>16: 10,1 →</p> <p>17: 9,7 ↗</p> <p>18: 9,8 →</p> <p>19: 9,8 ↗</p> |  |
| Serie 87,0                                                                                                                                                        | Serie 84,0                                                                                                                                                    |  |
| Totalt 0,0                                                                                                                                                        | Totalt 0,0                                                                                                                                                    |  |

|                                                                                                                                                                        |                                                                                                                                                                              |  |
|------------------------------------------------------------------------------------------------------------------------------------------------------------------------|------------------------------------------------------------------------------------------------------------------------------------------------------------------------------|--|
| <p>60 shot</p>                                                                        | <p>60 shot</p>                                                                            |  |
| <p>1: 10,1 ↑</p> <p>2: 10,0 ↙</p> <p>3: 9,6 ↗</p> <p>4: 10,1 ←</p> <p>5: 10,0 ↗</p> <p>6: 10,8* ↗</p> <p>7: 9,8 ↗</p> <p>8: 9,1 ←</p> <p>9: 9,5 ↗</p> <p>10: 9,3 ↙</p> | <p>11: 9,2 ←</p> <p>12: 10,6* ↙</p> <p>13: 10,0 ←</p> <p>14: 9,3 ↗</p> <p>15: 9,5 ↗</p> <p>16: 9,9 ↑</p> <p>17: 9,8 ←</p> <p>18: 9,6 ←</p> <p>19: 9,1 ↘</p> <p>20: 9,4 ↘</p> |  |
| Serie 95,0                                                                                                                                                             | Serie 92,0                                                                                                                                                                   |  |
| Totalt 95,0                                                                                                                                                            | Totalt 187,0                                                                                                                                                                 |  |

|                                                                                                                                                                                |                                                                                                                                                                                |  |
|--------------------------------------------------------------------------------------------------------------------------------------------------------------------------------|--------------------------------------------------------------------------------------------------------------------------------------------------------------------------------|--|
| <p>60 shot</p>                                                                               | <p>60 shot</p>                                                                             |  |
| <p>21: 8,7 ↓</p> <p>22: 9,9 ↑</p> <p>23: 10,4* ↓</p> <p>24: 9,1 ↗</p> <p>25: 9,2 ↓</p> <p>26: 9,8 ↗</p> <p>27: 10,1 →</p> <p>28: 9,8 ↓</p> <p>29: 9,5 →</p> <p>30: 10,3* ↑</p> | <p>31: 9,9 ↗</p> <p>32: 9,6 ↗</p> <p>33: 9,3 ←</p> <p>34: 9,4 ↓</p> <p>35: 10,5* ←</p> <p>36: 9,8 ↗</p> <p>37: 9,2 ↗</p> <p>38: 10,0 ↗</p> <p>39: 9,9 ↓</p> <p>40: 10,4* ↓</p> |  |
| Serie 92,0                                                                                                                                                                     | Serie 93,0                                                                                                                                                                     |  |
| Totalt 279,0                                                                                                                                                                   | Totalt 372,0                                                                                                                                                                   |  |

|                                                                                               |                                                                                                                                                                                                                                                                                                                                                                                                                                                                                                           |       |      |        |     |                                                                                                 |                                                                                                                                                                                                                                                                                                                                                                                          |       |      |        |     |
|-----------------------------------------------------------------------------------------------|-----------------------------------------------------------------------------------------------------------------------------------------------------------------------------------------------------------------------------------------------------------------------------------------------------------------------------------------------------------------------------------------------------------------------------------------------------------------------------------------------------------|-------|------|--------|-----|-------------------------------------------------------------------------------------------------|------------------------------------------------------------------------------------------------------------------------------------------------------------------------------------------------------------------------------------------------------------------------------------------------------------------------------------------------------------------------------------------|-------|------|--------|-----|
| <p>Sight</p>  | <p>1: 9,8 ↓<br/>                 2: 8,4 ←<br/>                 3: 6,3 ←<br/>                 4: 8,8 →<br/>                 5: 9,1 ↗<br/>                 6: 9,9 →<br/>                 7: 8,6 →<br/>                 8: 9,6 ↙<br/>                 9: 8,0 ↗<br/>                 10: 8,7 ↗</p> <table border="1" style="width:100%; border-collapse: collapse;"> <tr><td>Serie</td><td style="text-align: right;">82,0</td></tr> <tr><td>Totalt</td><td style="text-align: right;">0,0</td></tr> </table> | Serie | 82,0 | Totalt | 0,0 | <p>Sight</p>  | <p>11: 6,3 ←<br/>                 12: 9,9 ↑<br/>                 13: 8,0 →<br/>                 14: 8,8 ↓<br/>                 15: 8,8 ↗<br/>                 16: 10,4* ↑</p> <table border="1" style="width:100%; border-collapse: collapse;"> <tr><td>Serie</td><td style="text-align: right;">49,0</td></tr> <tr><td>Totalt</td><td style="text-align: right;">0,0</td></tr> </table> | Serie | 49,0 | Totalt | 0,0 |
| Serie                                                                                         | 82,0                                                                                                                                                                                                                                                                                                                                                                                                                                                                                                      |       |      |        |     |                                                                                                 |                                                                                                                                                                                                                                                                                                                                                                                          |       |      |        |     |
| Totalt                                                                                        | 0,0                                                                                                                                                                                                                                                                                                                                                                                                                                                                                                       |       |      |        |     |                                                                                                 |                                                                                                                                                                                                                                                                                                                                                                                          |       |      |        |     |
| Serie                                                                                         | 49,0                                                                                                                                                                                                                                                                                                                                                                                                                                                                                                      |       |      |        |     |                                                                                                 |                                                                                                                                                                                                                                                                                                                                                                                          |       |      |        |     |
| Totalt                                                                                        | 0,0                                                                                                                                                                                                                                                                                                                                                                                                                                                                                                       |       |      |        |     |                                                                                                 |                                                                                                                                                                                                                                                                                                                                                                                          |       |      |        |     |

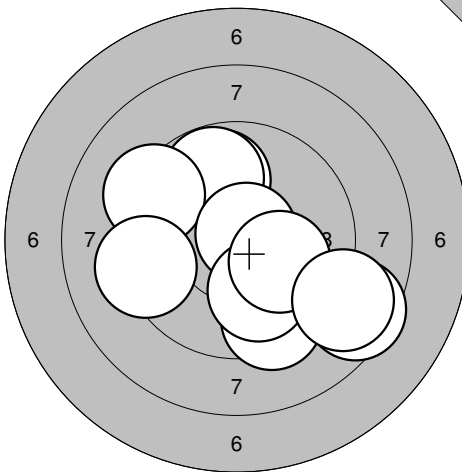
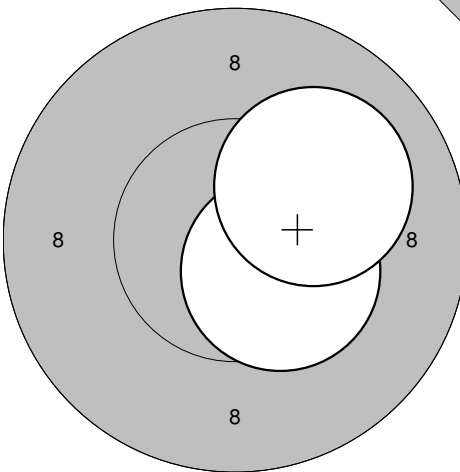
|                                                                                                  |                                                                                                                                                                                                                                                                                                                                                                                                                                                                                                            |       |      |        |      |                                                                                                    |                                                                                                                                                                                                                                                                                                                                                                                                                                                                                                                        |       |      |        |       |
|--------------------------------------------------------------------------------------------------|------------------------------------------------------------------------------------------------------------------------------------------------------------------------------------------------------------------------------------------------------------------------------------------------------------------------------------------------------------------------------------------------------------------------------------------------------------------------------------------------------------|-------|------|--------|------|----------------------------------------------------------------------------------------------------|------------------------------------------------------------------------------------------------------------------------------------------------------------------------------------------------------------------------------------------------------------------------------------------------------------------------------------------------------------------------------------------------------------------------------------------------------------------------------------------------------------------------|-------|------|--------|-------|
| <p>60 shot</p>  | <p>1: 9,0 ↑<br/>                 2: 9,9 →<br/>                 3: 8,7 ↗<br/>                 4: 9,5 ↗<br/>                 5: 9,3 ↙<br/>                 6: 7,9 ↗<br/>                 7: 8,5 ↘<br/>                 8: 8,8 →<br/>                 9: 8,5 →<br/>                 10: 8,6 ↗</p> <table border="1" style="width:100%; border-collapse: collapse;"> <tr><td>Serie</td><td style="text-align: right;">83,0</td></tr> <tr><td>Totalt</td><td style="text-align: right;">83,0</td></tr> </table> | Serie | 83,0 | Totalt | 83,0 | <p>60 shot</p>  | <p>11: 8,9 ↗<br/>                 12: 9,7 ↑<br/>                 13: 9,8 ↗<br/>                 14: 7,2 ←<br/>                 15: 8,2 →<br/>                 16: 10,1 ←<br/>                 17: 9,4 ↑<br/>                 18: 9,4 ↘<br/>                 19: 10,1 ↗<br/>                 20: 7,5 ↘</p> <table border="1" style="width:100%; border-collapse: collapse;"> <tr><td>Serie</td><td style="text-align: right;">86,0</td></tr> <tr><td>Totalt</td><td style="text-align: right;">169,0</td></tr> </table> | Serie | 86,0 | Totalt | 169,0 |
| Serie                                                                                            | 83,0                                                                                                                                                                                                                                                                                                                                                                                                                                                                                                       |       |      |        |      |                                                                                                    |                                                                                                                                                                                                                                                                                                                                                                                                                                                                                                                        |       |      |        |       |
| Totalt                                                                                           | 83,0                                                                                                                                                                                                                                                                                                                                                                                                                                                                                                       |       |      |        |      |                                                                                                    |                                                                                                                                                                                                                                                                                                                                                                                                                                                                                                                        |       |      |        |       |
| Serie                                                                                            | 86,0                                                                                                                                                                                                                                                                                                                                                                                                                                                                                                       |       |      |        |      |                                                                                                    |                                                                                                                                                                                                                                                                                                                                                                                                                                                                                                                        |       |      |        |       |
| Totalt                                                                                           | 169,0                                                                                                                                                                                                                                                                                                                                                                                                                                                                                                      |       |      |        |      |                                                                                                    |                                                                                                                                                                                                                                                                                                                                                                                                                                                                                                                        |       |      |        |       |

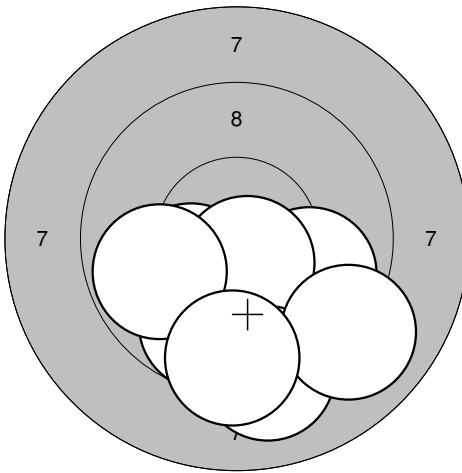
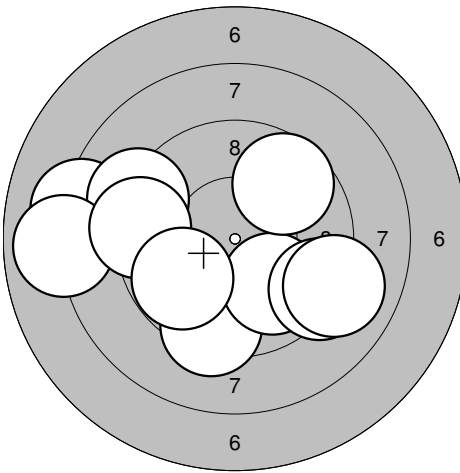
|                                                                                                   |                                                                                                                                                                                                                                                                                                                                                                                                                                                                                                                          |       |      |        |       |                                                                                                     |                                                                                                                                                                                                                                                                                                                                                                                                                                                                                                                        |       |      |        |       |
|---------------------------------------------------------------------------------------------------|--------------------------------------------------------------------------------------------------------------------------------------------------------------------------------------------------------------------------------------------------------------------------------------------------------------------------------------------------------------------------------------------------------------------------------------------------------------------------------------------------------------------------|-------|------|--------|-------|-----------------------------------------------------------------------------------------------------|------------------------------------------------------------------------------------------------------------------------------------------------------------------------------------------------------------------------------------------------------------------------------------------------------------------------------------------------------------------------------------------------------------------------------------------------------------------------------------------------------------------------|-------|------|--------|-------|
| <p>60 shot</p>  | <p>21: 9,8 ↑<br/>                 22: 10,3* ↗<br/>                 23: 8,1 ←<br/>                 24: 7,9 ↗<br/>                 25: 6,3 ↗<br/>                 26: 8,1 ↗<br/>                 27: 10,6* ↘<br/>                 28: 6,1 ↙<br/>                 29: 9,5 ↗<br/>                 30: 8,8 ↘</p> <table border="1" style="width:100%; border-collapse: collapse;"> <tr><td>Serie</td><td style="text-align: right;">81,0</td></tr> <tr><td>Totalt</td><td style="text-align: right;">250,0</td></tr> </table> | Serie | 81,0 | Totalt | 250,0 | <p>60 shot</p>  | <p>31: 10,9* ↘<br/>                 32: 8,4 →<br/>                 33: 9,0 ↘<br/>                 34: 9,2 ←<br/>                 35: 9,1 ↘<br/>                 36: 7,0 →<br/>                 37: 9,2 →<br/>                 38: 9,0 →<br/>                 39: 9,4 →<br/>                 40: 6,4 →</p> <table border="1" style="width:100%; border-collapse: collapse;"> <tr><td>Serie</td><td style="text-align: right;">85,0</td></tr> <tr><td>Totalt</td><td style="text-align: right;">335,0</td></tr> </table> | Serie | 85,0 | Totalt | 335,0 |
| Serie                                                                                             | 81,0                                                                                                                                                                                                                                                                                                                                                                                                                                                                                                                     |       |      |        |       |                                                                                                     |                                                                                                                                                                                                                                                                                                                                                                                                                                                                                                                        |       |      |        |       |
| Totalt                                                                                            | 250,0                                                                                                                                                                                                                                                                                                                                                                                                                                                                                                                    |       |      |        |       |                                                                                                     |                                                                                                                                                                                                                                                                                                                                                                                                                                                                                                                        |       |      |        |       |
| Serie                                                                                             | 85,0                                                                                                                                                                                                                                                                                                                                                                                                                                                                                                                     |       |      |        |       |                                                                                                     |                                                                                                                                                                                                                                                                                                                                                                                                                                                                                                                        |       |      |        |       |
| Totalt                                                                                            | 335,0                                                                                                                                                                                                                                                                                                                                                                                                                                                                                                                    |       |      |        |       |                                                                                                     |                                                                                                                                                                                                                                                                                                                                                                                                                                                                                                                        |       |      |        |       |

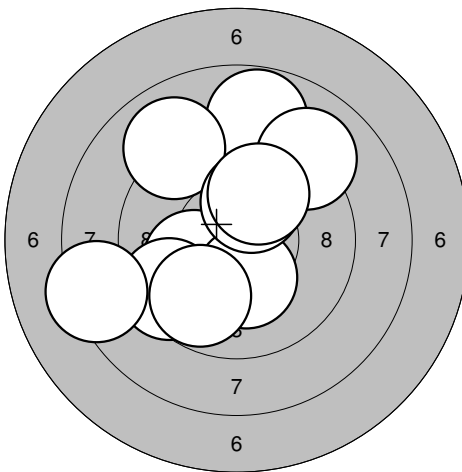
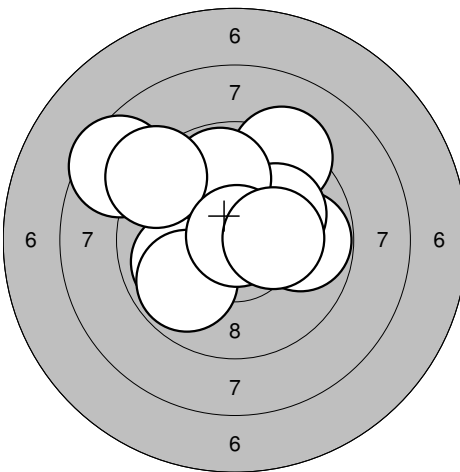
|            |            |
|------------|------------|
| Sight<br>  | Sight<br>  |
| Serie 89,0 | Serie 94,0 |
| Totalt 0,0 | Totalt 0,0 |

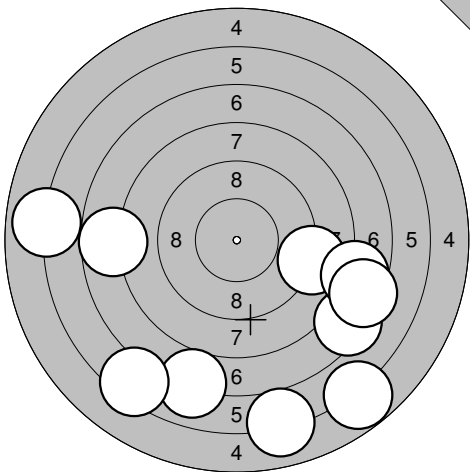
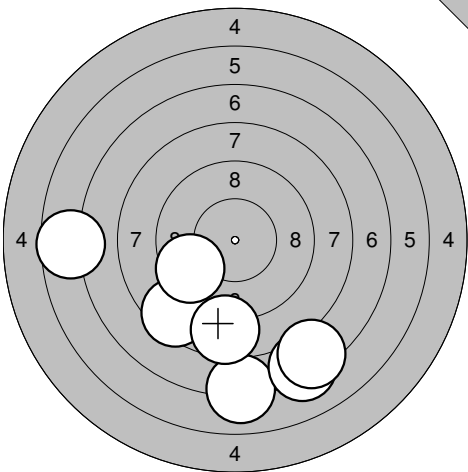
|             |              |
|-------------|--------------|
| 60 shot<br> | 60 shot<br>  |
| Serie 92,0  | Serie 93,0   |
| Totalt 92,0 | Totalt 185,0 |

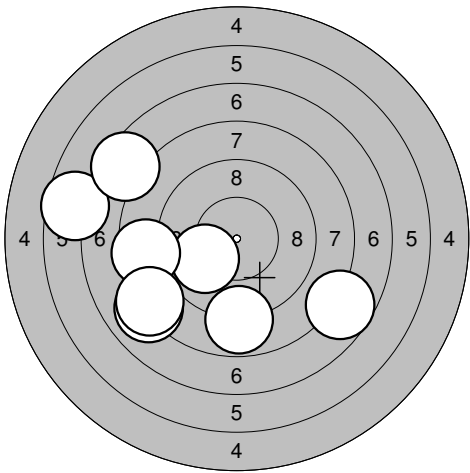
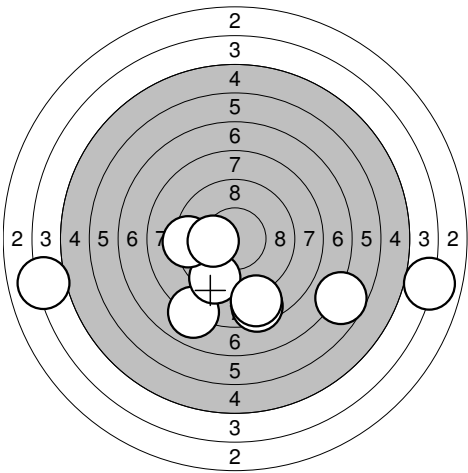
|              |              |
|--------------|--------------|
| 60 shot<br>  | 60 shot<br>  |
| Serie 96,0   | Serie 94,0   |
| Totalt 281,0 | Totalt 375,0 |

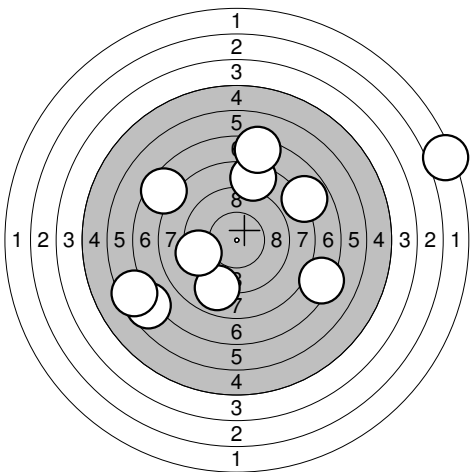
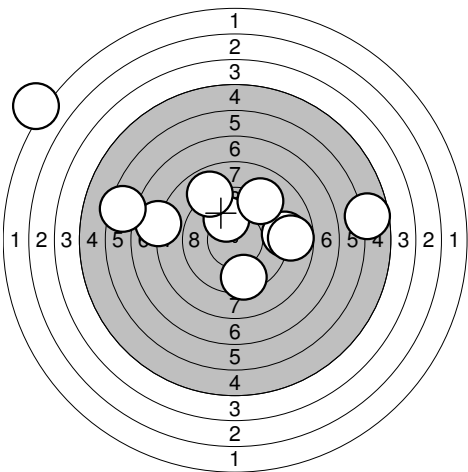
|                                                                                               |                                                                                                                                                                                                                                                                                                                                                                                                                                                                                                               |       |      |        |     |                                                                                                                                                                                                                                                                                                                                                               |       |      |        |     |
|-----------------------------------------------------------------------------------------------|---------------------------------------------------------------------------------------------------------------------------------------------------------------------------------------------------------------------------------------------------------------------------------------------------------------------------------------------------------------------------------------------------------------------------------------------------------------------------------------------------------------|-------|------|--------|-----|---------------------------------------------------------------------------------------------------------------------------------------------------------------------------------------------------------------------------------------------------------------------------------------------------------------------------------------------------------------|-------|------|--------|-----|
| <p>Sight</p>  | <p>1: 8,5 ↘<br/>                 2: 9,4 ↓<br/>                 3: 9,9 ↑<br/>                 4: 9,8 ↑<br/>                 5: 9,3 ↗<br/>                 6: 10,7* ↗<br/>                 7: 10,0 ↓<br/>                 8: 9,3 ←<br/>                 9: 10,1 ↘<br/>                 10: 8,8 ↘</p> <table border="1" style="width:100%; border-collapse: collapse;"> <tr><td>Serie</td><td style="text-align: right;">91,0</td></tr> <tr><td>Totalt</td><td style="text-align: right;">0,0</td></tr> </table> | Serie | 91,0 | Totalt | 0,0 | <p>Sight</p>  <p>11: 10,4* ↘<br/>                 12: 10,1 ↗</p> <table border="1" style="width:100%; border-collapse: collapse;"> <tr><td>Serie</td><td style="text-align: right;">20,0</td></tr> <tr><td>Totalt</td><td style="text-align: right;">0,0</td></tr> </table> | Serie | 20,0 | Totalt | 0,0 |
| Serie                                                                                         | 91,0                                                                                                                                                                                                                                                                                                                                                                                                                                                                                                          |       |      |        |     |                                                                                                                                                                                                                                                                                                                                                               |       |      |        |     |
| Totalt                                                                                        | 0,0                                                                                                                                                                                                                                                                                                                                                                                                                                                                                                           |       |      |        |     |                                                                                                                                                                                                                                                                                                                                                               |       |      |        |     |
| Serie                                                                                         | 20,0                                                                                                                                                                                                                                                                                                                                                                                                                                                                                                          |       |      |        |     |                                                                                                                                                                                                                                                                                                                                                               |       |      |        |     |
| Totalt                                                                                        | 0,0                                                                                                                                                                                                                                                                                                                                                                                                                                                                                                           |       |      |        |     |                                                                                                                                                                                                                                                                                                                                                               |       |      |        |     |

|                                                                                                  |                                                                                                                                                                                                                                                                                                                                                                                                                                                                                                                |       |      |        |      |                                                                                                                                                                                                                                                                                                                                                                                                                                                                                                                                                                                                                         |       |      |        |       |
|--------------------------------------------------------------------------------------------------|----------------------------------------------------------------------------------------------------------------------------------------------------------------------------------------------------------------------------------------------------------------------------------------------------------------------------------------------------------------------------------------------------------------------------------------------------------------------------------------------------------------|-------|------|--------|------|-------------------------------------------------------------------------------------------------------------------------------------------------------------------------------------------------------------------------------------------------------------------------------------------------------------------------------------------------------------------------------------------------------------------------------------------------------------------------------------------------------------------------------------------------------------------------------------------------------------------------|-------|------|--------|-------|
| <p>60 shot</p>  | <p>1: 9,7 ↓<br/>                 2: 10,2* ↙<br/>                 3: 9,9 →<br/>                 4: 9,6 ↓<br/>                 5: 9,5 ↓<br/>                 6: 10,6* ↓<br/>                 7: 9,1 ↓<br/>                 8: 9,8 ←<br/>                 9: 9,0 →<br/>                 10: 9,4 ↓</p> <table border="1" style="width:100%; border-collapse: collapse;"> <tr><td>Serie</td><td style="text-align: right;">92,0</td></tr> <tr><td>Totalt</td><td style="text-align: right;">92,0</td></tr> </table> | Serie | 92,0 | Totalt | 92,0 | <p>60 shot</p>  <p>11: 8,2 ←<br/>                 12: 9,4 ↓<br/>                 13: 9,9 ↓<br/>                 14: 9,1 ←<br/>                 15: 7,9 ←<br/>                 16: 9,7 ↗<br/>                 17: 9,3 ←<br/>                 18: 9,8 ←<br/>                 19: 9,2 ↘<br/>                 20: 9,0 →</p> <table border="1" style="width:100%; border-collapse: collapse;"> <tr><td>Serie</td><td style="text-align: right;">87,0</td></tr> <tr><td>Totalt</td><td style="text-align: right;">179,0</td></tr> </table> | Serie | 87,0 | Totalt | 179,0 |
| Serie                                                                                            | 92,0                                                                                                                                                                                                                                                                                                                                                                                                                                                                                                           |       |      |        |      |                                                                                                                                                                                                                                                                                                                                                                                                                                                                                                                                                                                                                         |       |      |        |       |
| Totalt                                                                                           | 92,0                                                                                                                                                                                                                                                                                                                                                                                                                                                                                                           |       |      |        |      |                                                                                                                                                                                                                                                                                                                                                                                                                                                                                                                                                                                                                         |       |      |        |       |
| Serie                                                                                            | 87,0                                                                                                                                                                                                                                                                                                                                                                                                                                                                                                           |       |      |        |      |                                                                                                                                                                                                                                                                                                                                                                                                                                                                                                                                                                                                                         |       |      |        |       |
| Totalt                                                                                           | 179,0                                                                                                                                                                                                                                                                                                                                                                                                                                                                                                          |       |      |        |      |                                                                                                                                                                                                                                                                                                                                                                                                                                                                                                                                                                                                                         |       |      |        |       |

|                                                                                                   |                                                                                                                                                                                                                                                                                                                                                                                                                                                                                                                            |       |      |        |       |                                                                                                                                                                                                                                                                                                                                                                                                                                                                                                                                                                                                                               |       |      |        |       |
|---------------------------------------------------------------------------------------------------|----------------------------------------------------------------------------------------------------------------------------------------------------------------------------------------------------------------------------------------------------------------------------------------------------------------------------------------------------------------------------------------------------------------------------------------------------------------------------------------------------------------------------|-------|------|--------|-------|-------------------------------------------------------------------------------------------------------------------------------------------------------------------------------------------------------------------------------------------------------------------------------------------------------------------------------------------------------------------------------------------------------------------------------------------------------------------------------------------------------------------------------------------------------------------------------------------------------------------------------|-------|------|--------|-------|
| <p>60 shot</p>  | <p>21: 8,8 ↑<br/>                 22: 9,1 ↗<br/>                 23: 10,1 ←<br/>                 24: 9,0 ↑<br/>                 25: 10,3* ↓<br/>                 26: 9,5 ↙<br/>                 27: 10,2* ↑<br/>                 28: 9,8 ↓<br/>                 29: 8,3 ←<br/>                 30: 10,1 ↗</p> <table border="1" style="width:100%; border-collapse: collapse;"> <tr><td>Serie</td><td style="text-align: right;">92,0</td></tr> <tr><td>Totalt</td><td style="text-align: right;">271,0</td></tr> </table> | Serie | 92,0 | Totalt | 271,0 | <p>60 shot</p>  <p>31: 9,3 ↗<br/>                 32: 9,9 ←<br/>                 33: 9,8 ↙<br/>                 34: 9,8 →<br/>                 35: 8,5 ↖<br/>                 36: 10,1 ↗<br/>                 37: 9,8 ↑<br/>                 38: 9,2 ↖<br/>                 39: 10,9* ↗<br/>                 40: 10,3* →</p> <table border="1" style="width:100%; border-collapse: collapse;"> <tr><td>Serie</td><td style="text-align: right;">92,0</td></tr> <tr><td>Totalt</td><td style="text-align: right;">363,0</td></tr> </table> | Serie | 92,0 | Totalt | 363,0 |
| Serie                                                                                             | 92,0                                                                                                                                                                                                                                                                                                                                                                                                                                                                                                                       |       |      |        |       |                                                                                                                                                                                                                                                                                                                                                                                                                                                                                                                                                                                                                               |       |      |        |       |
| Totalt                                                                                            | 271,0                                                                                                                                                                                                                                                                                                                                                                                                                                                                                                                      |       |      |        |       |                                                                                                                                                                                                                                                                                                                                                                                                                                                                                                                                                                                                                               |       |      |        |       |
| Serie                                                                                             | 92,0                                                                                                                                                                                                                                                                                                                                                                                                                                                                                                                       |       |      |        |       |                                                                                                                                                                                                                                                                                                                                                                                                                                                                                                                                                                                                                               |       |      |        |       |
| Totalt                                                                                            | 363,0                                                                                                                                                                                                                                                                                                                                                                                                                                                                                                                      |       |      |        |       |                                                                                                                                                                                                                                                                                                                                                                                                                                                                                                                                                                                                                               |       |      |        |       |

|                                                                                               |                                                                                                                                                                                                      |                                                                                                 |                                                                                                                                                            |
|-----------------------------------------------------------------------------------------------|------------------------------------------------------------------------------------------------------------------------------------------------------------------------------------------------------|-------------------------------------------------------------------------------------------------|------------------------------------------------------------------------------------------------------------------------------------------------------------|
| <p>Sight</p>  | <p>1: 7,7 ←</p> <p>2: 5,8 ↘</p> <p>3: 8,9 →</p> <p>4: 6,0 ↘</p> <p>5: 7,0 ↘</p> <p>6: 6,4 ↘</p> <p>7: 7,3 ↘</p> <p>8: 7,7 →</p> <p>9: 5,9 ←</p> <p>10: 7,3 →</p> <p>Serie 65,0</p> <p>Totalt 0,0</p> | <p>Sight</p>  | <p>11: 6,6 ←</p> <p>12: 7,0 ↓</p> <p>13: 8,5 ↘</p> <p>14: 9,6 ←</p> <p>15: 7,2 ↘</p> <p>16: 8,6 ↓</p> <p>17: 7,3 ↘</p> <p>Serie 52,0</p> <p>Totalt 0,0</p> |
|-----------------------------------------------------------------------------------------------|------------------------------------------------------------------------------------------------------------------------------------------------------------------------------------------------------|-------------------------------------------------------------------------------------------------|------------------------------------------------------------------------------------------------------------------------------------------------------------|

|                                                                                                  |                                                                                                                                                                                                        |                                                                                                    |                                                                                                                                                                                                                   |
|--------------------------------------------------------------------------------------------------|--------------------------------------------------------------------------------------------------------------------------------------------------------------------------------------------------------|----------------------------------------------------------------------------------------------------|-------------------------------------------------------------------------------------------------------------------------------------------------------------------------------------------------------------------|
| <p>60 shot</p>  | <p>1: 0,0 →</p> <p>2: 6,6 ←</p> <p>3: 0,0 ↘</p> <p>4: 8,0 ←</p> <p>5: 10,0 ←</p> <p>6: 8,5 ←</p> <p>7: 7,7 ↘</p> <p>8: 8,1 ←</p> <p>9: 7,5 ↗</p> <p>10: 8,8 ↓</p> <p>Serie 62,0</p> <p>Totalt 62,0</p> | <p>60 shot</p>  | <p>11: 8,5 ↓</p> <p>12: 8,0 ↘</p> <p>13: 6,7 ↘</p> <p>14: 4,0 →</p> <p>15: 9,4 ↘</p> <p>16: 0,0 ←</p> <p>17: 9,3 ←</p> <p>18: 8,7 ↓</p> <p>19: 10,2* ←</p> <p>20: 4,1 ←</p> <p>Serie 66,0</p> <p>Totalt 128,0</p> |
|--------------------------------------------------------------------------------------------------|--------------------------------------------------------------------------------------------------------------------------------------------------------------------------------------------------------|----------------------------------------------------------------------------------------------------|-------------------------------------------------------------------------------------------------------------------------------------------------------------------------------------------------------------------|

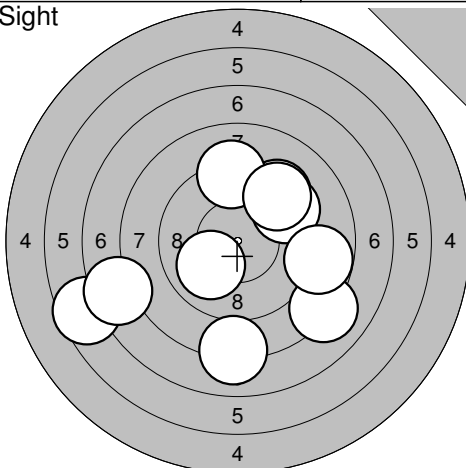
|                                                                                                   |                                                                                                                                                                                                                 |                                                                                                     |                                                                                                                                                                                                                  |
|---------------------------------------------------------------------------------------------------|-----------------------------------------------------------------------------------------------------------------------------------------------------------------------------------------------------------------|-----------------------------------------------------------------------------------------------------|------------------------------------------------------------------------------------------------------------------------------------------------------------------------------------------------------------------|
| <p>60 shot</p>  | <p>21: 6,6 ↘</p> <p>22: 7,3 →</p> <p>23: 7,5 ↗</p> <p>24: 7,8 →</p> <p>25: 8,9 ↘</p> <p>26: 2,1 →</p> <p>27: 8,4 ↗</p> <p>28: 6,4 ←</p> <p>29: 9,4 ←</p> <p>30: 7,3 ↗</p> <p>Serie 67,0</p> <p>Totalt 195,0</p> | <p>60 shot</p>  | <p>31: 7,9 ←</p> <p>32: 9,0 →</p> <p>33: 9,4 ↓</p> <p>34: 10,1 ↗</p> <p>35: 5,7 →</p> <p>36: 8,8 →</p> <p>37: 9,1 ↗</p> <p>38: 1,6 ↗</p> <p>39: 8,9 ↗</p> <p>40: 6,4 ←</p> <p>Serie 72,0</p> <p>Totalt 267,0</p> |
|---------------------------------------------------------------------------------------------------|-----------------------------------------------------------------------------------------------------------------------------------------------------------------------------------------------------------------|-----------------------------------------------------------------------------------------------------|------------------------------------------------------------------------------------------------------------------------------------------------------------------------------------------------------------------|

2013-04-20

UME-Kulan 2013

Umeå skytteallians

Sight

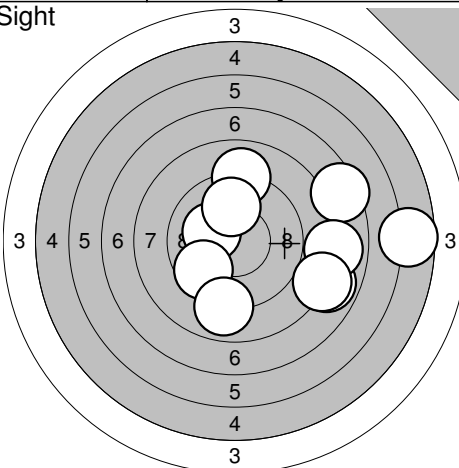


1: 6,6 ←  
 2: 8,1 ↓  
 3: 10,0 ↙  
 4: 7,5 ←  
 5: 8,1 ↘  
 6: 9,3 ↗  
 7: 9,2 ↑  
 8: 9,4 ↗  
 9: 9,4 ↗  
 10: 8,8 →

Serie 83,0

Totalt 0,0

Sight

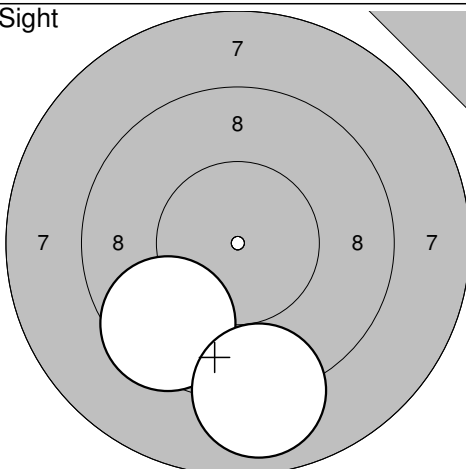


11: 7,9 →  
 12: 10,2\* ←  
 13: 7,4 →  
 14: 9,0 ↑  
 15: 7,9 →  
 16: 9,6 ↙  
 17: 8,9 ↓  
 18: 9,9 ↑  
 19: 5,7 →  
 20: 8,0 →

Serie 79,0

Totalt 0,0

Sight

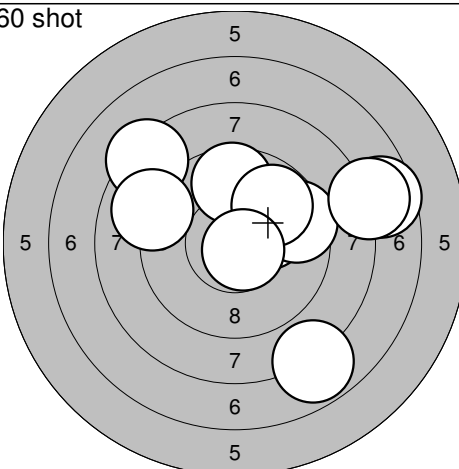


21: 9,5 ↙  
 22: 9,0 ↓

Serie 18,0

Totalt 0,0

60 shot

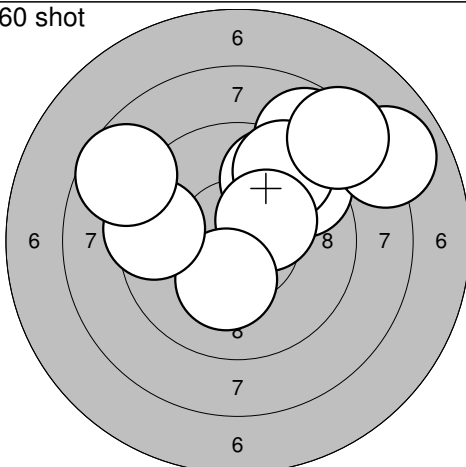


1: 7,6 →  
 2: 7,8 ↓  
 3: 10,2\* →  
 4: 9,5 →  
 5: 9,6 ↑  
 6: 7,9 →  
 7: 9,8 ↗  
 8: 10,7\* ↘  
 9: 8,3 ↗  
 10: 9,0 ↖

Serie 85,0

Totalt 85,0

60 shot

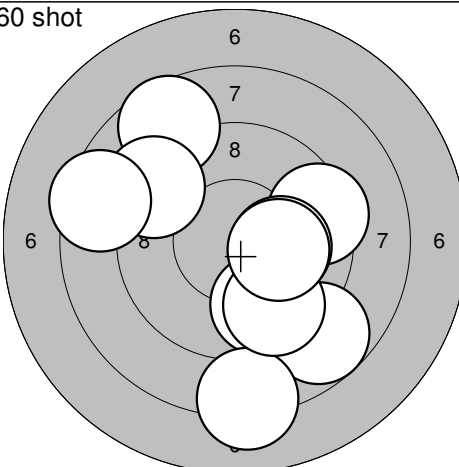


11: 9,7 ↗  
 12: 8,8 ↗  
 13: 9,5 ↗  
 14: 9,5 ↗  
 15: 10,3\* ↗  
 16: 10,2\* ↓  
 17: 7,9 ↗  
 18: 9,5 ←  
 19: 8,4 ↗  
 20: 8,7 ↖

Serie 87,0

Totalt 172,0

60 shot

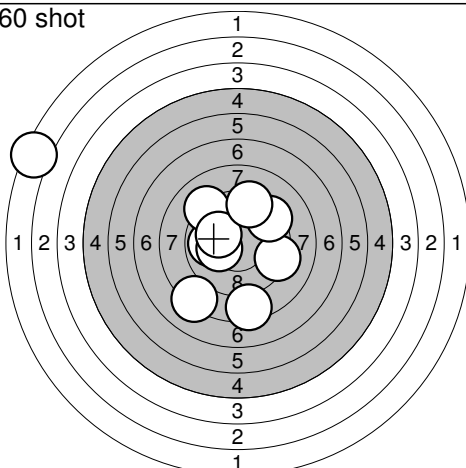


21: 8,8 ↓  
 22: 9,4 →  
 23: 8,6 ↗  
 24: 9,2 ↗  
 25: 9,7 ↓  
 26: 10,1 →  
 27: 8,2 ↓  
 28: 8,5 ↖  
 29: 9,6 ↓  
 30: 10,2\* →

Serie 88,0

Totalt 260,0

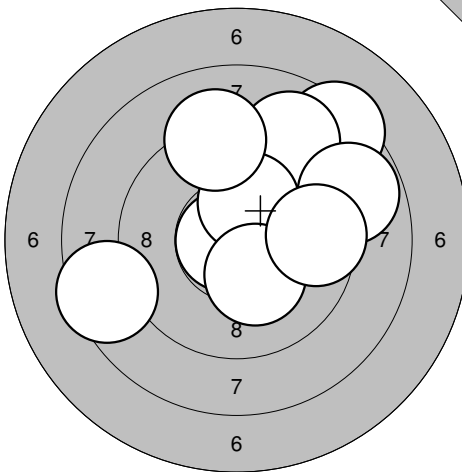
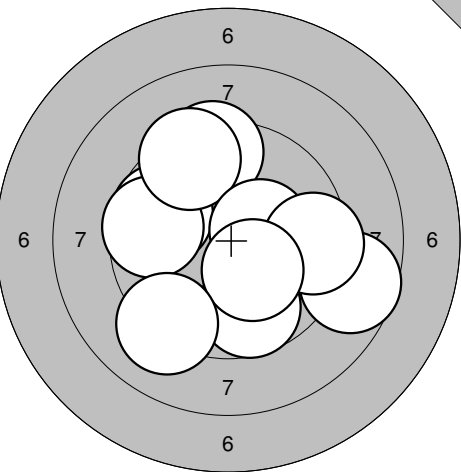
60 shot



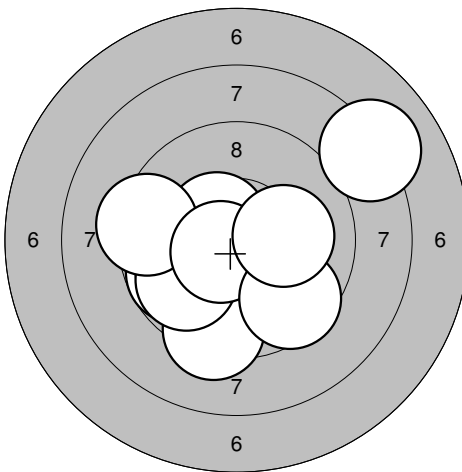
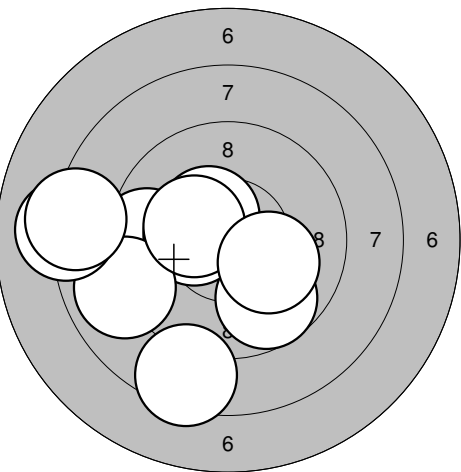
31: 9,9 ←  
 32: 10,2\* ←  
 33: 8,2 ↘  
 34: 8,4 ↓  
 35: 9,1 ↗  
 36: 10,1 ↖  
 37: 9,3 →  
 38: 2,3 ↖  
 39: 9,4 ↗  
 40: 9,4 ↑

Serie 83,0

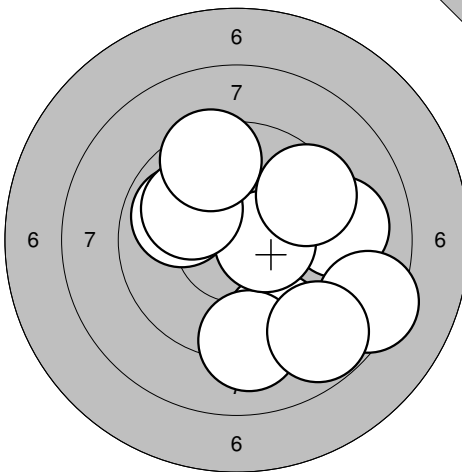
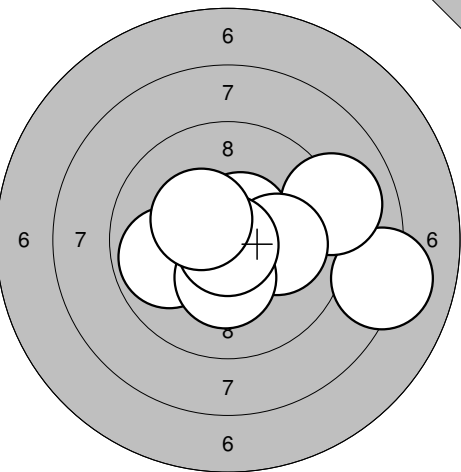
Totalt 343,0

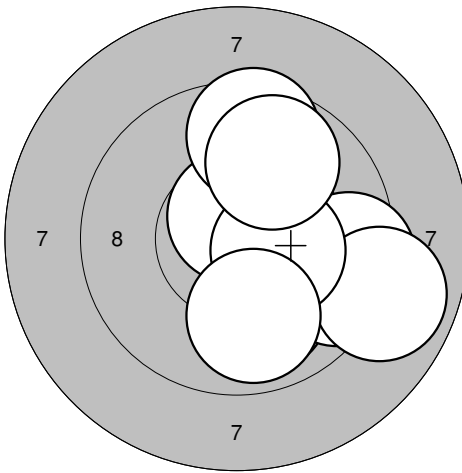
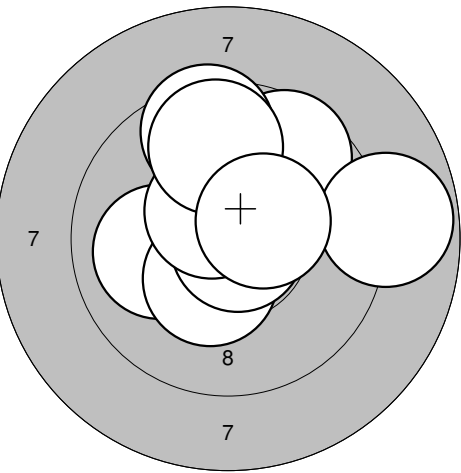
|                                                                                               |                                                                                                                                                                                                                                                                                                                                                          |       |      |        |     |                                                                                                 |                                                                                                                                                                                                                                                                                                                                                               |       |      |        |     |
|-----------------------------------------------------------------------------------------------|----------------------------------------------------------------------------------------------------------------------------------------------------------------------------------------------------------------------------------------------------------------------------------------------------------------------------------------------------------|-------|------|--------|-----|-------------------------------------------------------------------------------------------------|---------------------------------------------------------------------------------------------------------------------------------------------------------------------------------------------------------------------------------------------------------------------------------------------------------------------------------------------------------------|-------|------|--------|-----|
| <p>Sight</p>  | <p>1: 8,4 ↗<br/>2: 10,5* →<br/>3: 9,0 ↗<br/>4: 10,8* ←<br/>5: 10,3* ↗<br/>6: 8,5 ←<br/>7: 9,2 ↗<br/>8: 8,8 →<br/>9: 10,2* ↓<br/>10: 9,5 →</p> <table border="1" style="width:100%; border-collapse: collapse;"> <tr><td>Serie</td><td style="text-align: right;">91,0</td></tr> <tr><td>Totalt</td><td style="text-align: right;">0,0</td></tr> </table> | Serie | 91,0 | Totalt | 0,0 | <p>Sight</p>  | <p>11: 9,4 ↑<br/>12: 9,7 ↖<br/>13: 9,6 ←<br/>14: 9,4 ↗<br/>15: 10,3* →<br/>16: 9,7 ↓<br/>17: 8,7 →<br/>18: 9,4 →<br/>19: 10,3* ↓<br/>20: 9,1 ↘</p> <table border="1" style="width:100%; border-collapse: collapse;"> <tr><td>Serie</td><td style="text-align: right;">91,0</td></tr> <tr><td>Totalt</td><td style="text-align: right;">0,0</td></tr> </table> | Serie | 91,0 | Totalt | 0,0 |
| Serie                                                                                         | 91,0                                                                                                                                                                                                                                                                                                                                                     |       |      |        |     |                                                                                                 |                                                                                                                                                                                                                                                                                                                                                               |       |      |        |     |
| Totalt                                                                                        | 0,0                                                                                                                                                                                                                                                                                                                                                      |       |      |        |     |                                                                                                 |                                                                                                                                                                                                                                                                                                                                                               |       |      |        |     |
| Serie                                                                                         | 91,0                                                                                                                                                                                                                                                                                                                                                     |       |      |        |     |                                                                                                 |                                                                                                                                                                                                                                                                                                                                                               |       |      |        |     |
| Totalt                                                                                        | 0,0                                                                                                                                                                                                                                                                                                                                                      |       |      |        |     |                                                                                                 |                                                                                                                                                                                                                                                                                                                                                               |       |      |        |     |

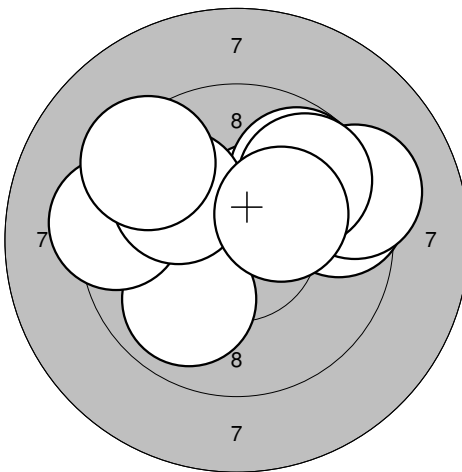
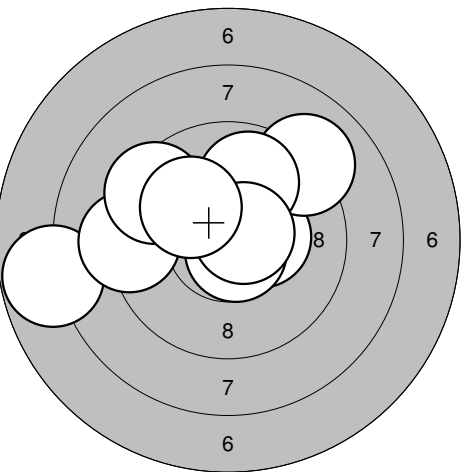
|                                                                                                  |                                                                                                                                                                                                                                                                                                                                                       |       |      |        |      |                                                                                                    |                                                                                                                                                                                                                                                                                                                                                             |       |      |        |       |
|--------------------------------------------------------------------------------------------------|-------------------------------------------------------------------------------------------------------------------------------------------------------------------------------------------------------------------------------------------------------------------------------------------------------------------------------------------------------|-------|------|--------|------|----------------------------------------------------------------------------------------------------|-------------------------------------------------------------------------------------------------------------------------------------------------------------------------------------------------------------------------------------------------------------------------------------------------------------------------------------------------------------|-------|------|--------|-------|
| <p>60 shot</p>  | <p>1: 7,9 →<br/>2: 10,5* ↖<br/>3: 9,0 ↗<br/>4: 10,2* ↗<br/>5: 9,5 ↓<br/>6: 9,8 ←<br/>7: 9,3 ↓<br/>8: 9,1 →<br/>9: 9,6 ↗<br/>10: 7,6 ↖</p> <table border="1" style="width:100%; border-collapse: collapse;"> <tr><td>Serie</td><td style="text-align: right;">88,0</td></tr> <tr><td>Totalt</td><td style="text-align: right;">88,0</td></tr> </table> | Serie | 88,0 | Totalt | 88,0 | <p>60 shot</p>  | <p>11: 9,1 →<br/>12: 8,4 →<br/>13: 8,7 ↓<br/>14: 8,9 ←<br/>15: 9,8 ←<br/>16: 9,1 ←<br/>17: 8,6 ↓<br/>18: 6,8 →<br/>19: 9,4 ↓<br/>20: 9,8 →</p> <table border="1" style="width:100%; border-collapse: collapse;"> <tr><td>Serie</td><td style="text-align: right;">83,0</td></tr> <tr><td>Totalt</td><td style="text-align: right;">171,0</td></tr> </table> | Serie | 83,0 | Totalt | 171,0 |
| Serie                                                                                            | 88,0                                                                                                                                                                                                                                                                                                                                                  |       |      |        |      |                                                                                                    |                                                                                                                                                                                                                                                                                                                                                             |       |      |        |       |
| Totalt                                                                                           | 88,0                                                                                                                                                                                                                                                                                                                                                  |       |      |        |      |                                                                                                    |                                                                                                                                                                                                                                                                                                                                                             |       |      |        |       |
| Serie                                                                                            | 83,0                                                                                                                                                                                                                                                                                                                                                  |       |      |        |      |                                                                                                    |                                                                                                                                                                                                                                                                                                                                                             |       |      |        |       |
| Totalt                                                                                           | 171,0                                                                                                                                                                                                                                                                                                                                                 |       |      |        |      |                                                                                                    |                                                                                                                                                                                                                                                                                                                                                             |       |      |        |       |

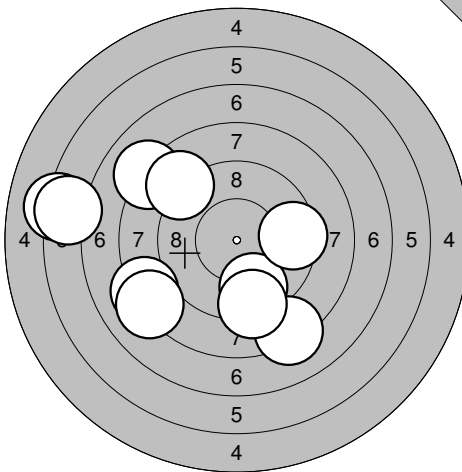
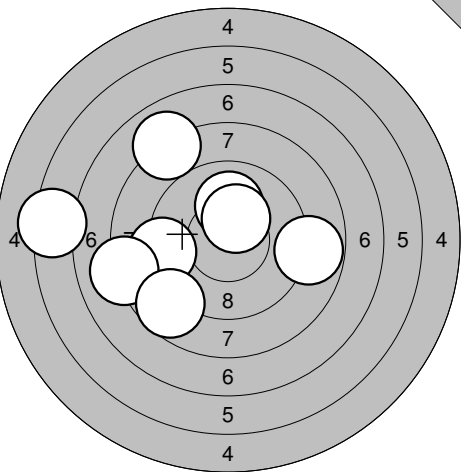
|                                                                                                   |                                                                                                                                                                                                                                                                                                                                                                  |       |      |        |       |                                                                                                     |                                                                                                                                                                                                                                                                                                                                                                    |       |      |        |       |
|---------------------------------------------------------------------------------------------------|------------------------------------------------------------------------------------------------------------------------------------------------------------------------------------------------------------------------------------------------------------------------------------------------------------------------------------------------------------------|-------|------|--------|-------|-----------------------------------------------------------------------------------------------------|--------------------------------------------------------------------------------------------------------------------------------------------------------------------------------------------------------------------------------------------------------------------------------------------------------------------------------------------------------------------|-------|------|--------|-------|
| <p>60 shot</p>  | <p>21: 10,5* ↖<br/>22: 9,3 ↓<br/>23: 9,7 ←<br/>24: 9,9 ←<br/>25: 9,8 ←<br/>26: 8,1 →<br/>27: 9,4 ←<br/>28: 10,6* ↖<br/>29: 9,5 ↓<br/>30: 10,1 →</p> <table border="1" style="width:100%; border-collapse: collapse;"> <tr><td>Serie</td><td style="text-align: right;">92,0</td></tr> <tr><td>Totalt</td><td style="text-align: right;">263,0</td></tr> </table> | Serie | 92,0 | Totalt | 263,0 | <p>60 shot</p>  | <p>31: 9,5 ←<br/>32: 9,7 ↓<br/>33: 10,4* ↗<br/>34: 10,4* ←<br/>35: 8,9 ←<br/>36: 10,3* ↖<br/>37: 10,1 ↓<br/>38: 8,1 ←<br/>39: 8,2 ←<br/>40: 8,4 ↓</p> <table border="1" style="width:100%; border-collapse: collapse;"> <tr><td>Serie</td><td style="text-align: right;">90,0</td></tr> <tr><td>Totalt</td><td style="text-align: right;">353,0</td></tr> </table> | Serie | 90,0 | Totalt | 353,0 |
| Serie                                                                                             | 92,0                                                                                                                                                                                                                                                                                                                                                             |       |      |        |       |                                                                                                     |                                                                                                                                                                                                                                                                                                                                                                    |       |      |        |       |
| Totalt                                                                                            | 263,0                                                                                                                                                                                                                                                                                                                                                            |       |      |        |       |                                                                                                     |                                                                                                                                                                                                                                                                                                                                                                    |       |      |        |       |
| Serie                                                                                             | 90,0                                                                                                                                                                                                                                                                                                                                                             |       |      |        |       |                                                                                                     |                                                                                                                                                                                                                                                                                                                                                                    |       |      |        |       |
| Totalt                                                                                            | 353,0                                                                                                                                                                                                                                                                                                                                                            |       |      |        |       |                                                                                                     |                                                                                                                                                                                                                                                                                                                                                                    |       |      |        |       |

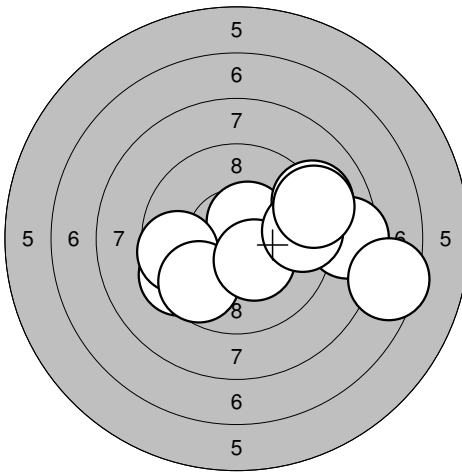
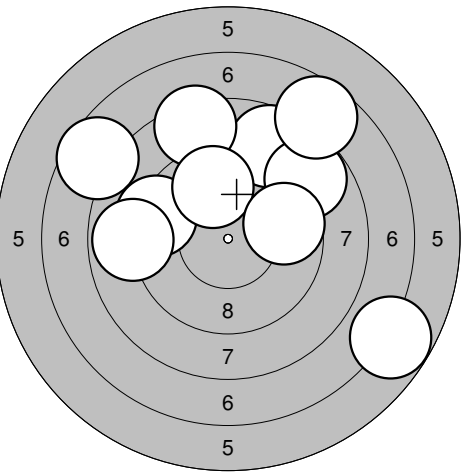


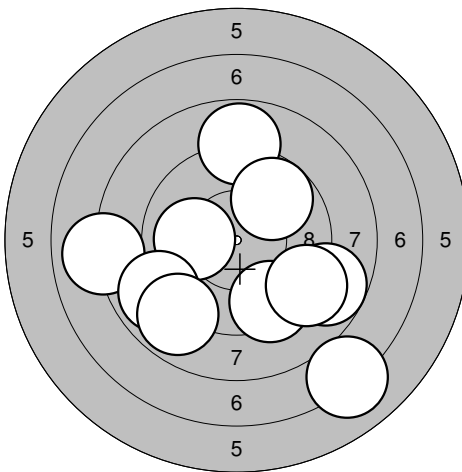
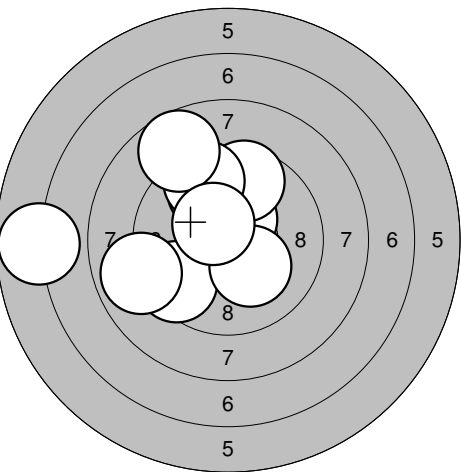
|                                                                                               |                                                                                                                                                                                                                                                                                                                                                                                                                                            |       |      |        |     |                                                                                                 |                                                                                                                                                                                                                                                                                                                                                                                                                         |       |      |        |     |
|-----------------------------------------------------------------------------------------------|--------------------------------------------------------------------------------------------------------------------------------------------------------------------------------------------------------------------------------------------------------------------------------------------------------------------------------------------------------------------------------------------------------------------------------------------|-------|------|--------|-----|-------------------------------------------------------------------------------------------------|-------------------------------------------------------------------------------------------------------------------------------------------------------------------------------------------------------------------------------------------------------------------------------------------------------------------------------------------------------------------------------------------------------------------------|-------|------|--------|-----|
| <p>Sight</p>  | <p>1: 9,1 →</p> <p>2: 9,3 ↓</p> <p>3: 8,4 →</p> <p>4: 9,2 ↓</p> <p>5: 8,8 ↓</p> <p>6: 9,9 ↗</p> <p>7: 10,4* →</p> <p>8: 10,0 ↗</p> <p>9: 9,5 ↑</p> <p>10: 9,5 ↗</p> <table border="1" style="width:100%; border-collapse: collapse;"> <tr> <td style="text-align: right;">Serie</td> <td style="text-align: right;">90,0</td> </tr> <tr> <td style="text-align: right;">Totalt</td> <td style="text-align: right;">0,0</td> </tr> </table> | Serie | 90,0 | Totalt | 0,0 | <p>Sight</p>  | <p>11: 8,1 →</p> <p>12: 10,6* ↗</p> <p>13: 9,0 →</p> <p>14: 9,9 ←</p> <p>15: 10,1 →</p> <p>16: 10,3* ↓</p> <p>17: 10,9* ↓</p> <p>18: 10,4* ↖</p> <table border="1" style="width:100%; border-collapse: collapse;"> <tr> <td style="text-align: right;">Serie</td> <td style="text-align: right;">76,0</td> </tr> <tr> <td style="text-align: right;">Totalt</td> <td style="text-align: right;">0,0</td> </tr> </table> | Serie | 76,0 | Totalt | 0,0 |
| Serie                                                                                         | 90,0                                                                                                                                                                                                                                                                                                                                                                                                                                       |       |      |        |     |                                                                                                 |                                                                                                                                                                                                                                                                                                                                                                                                                         |       |      |        |     |
| Totalt                                                                                        | 0,0                                                                                                                                                                                                                                                                                                                                                                                                                                        |       |      |        |     |                                                                                                 |                                                                                                                                                                                                                                                                                                                                                                                                                         |       |      |        |     |
| Serie                                                                                         | 76,0                                                                                                                                                                                                                                                                                                                                                                                                                                       |       |      |        |     |                                                                                                 |                                                                                                                                                                                                                                                                                                                                                                                                                         |       |      |        |     |
| Totalt                                                                                        | 0,0                                                                                                                                                                                                                                                                                                                                                                                                                                        |       |      |        |     |                                                                                                 |                                                                                                                                                                                                                                                                                                                                                                                                                         |       |      |        |     |

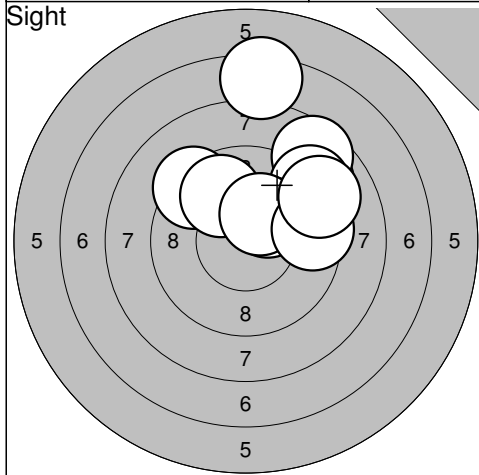
|                                                                                                  |                                                                                                                                                                                                                                                                                                                                                                                                                                                 |       |      |        |      |                                                                                                    |                                                                                                                                                                                                                                                                                                                                                                                                                                                               |       |      |        |       |
|--------------------------------------------------------------------------------------------------|-------------------------------------------------------------------------------------------------------------------------------------------------------------------------------------------------------------------------------------------------------------------------------------------------------------------------------------------------------------------------------------------------------------------------------------------------|-------|------|--------|------|----------------------------------------------------------------------------------------------------|---------------------------------------------------------------------------------------------------------------------------------------------------------------------------------------------------------------------------------------------------------------------------------------------------------------------------------------------------------------------------------------------------------------------------------------------------------------|-------|------|--------|-------|
| <p>60 shot</p>  | <p>1: 10,0 ↓</p> <p>2: 9,5 →</p> <p>3: 10,7* ↑</p> <p>4: 10,3* →</p> <p>5: 9,4 →</p> <p>6: 8,9 →</p> <p>7: 10,4* →</p> <p>8: 9,9 ↓</p> <p>9: 9,6 ↑</p> <p>10: 9,8 ↗</p> <table border="1" style="width:100%; border-collapse: collapse;"> <tr> <td style="text-align: right;">Serie</td> <td style="text-align: right;">93,0</td> </tr> <tr> <td style="text-align: right;">Totalt</td> <td style="text-align: right;">93,0</td> </tr> </table> | Serie | 93,0 | Totalt | 93,0 | <p>60 shot</p>  | <p>11: 10,0 ←</p> <p>12: 10,7* ↑</p> <p>13: 9,6 ↗</p> <p>14: 10,4* ↓</p> <p>15: 10,8* ↘</p> <p>16: 9,5 ↑</p> <p>17: 10,5* ↗</p> <p>18: 9,7 ↑</p> <p>19: 8,8 →</p> <p>20: 10,4* ↗</p> <table border="1" style="width:100%; border-collapse: collapse;"> <tr> <td style="text-align: right;">Serie</td> <td style="text-align: right;">95,0</td> </tr> <tr> <td style="text-align: right;">Totalt</td> <td style="text-align: right;">188,0</td> </tr> </table> | Serie | 95,0 | Totalt | 188,0 |
| Serie                                                                                            | 93,0                                                                                                                                                                                                                                                                                                                                                                                                                                            |       |      |        |      |                                                                                                    |                                                                                                                                                                                                                                                                                                                                                                                                                                                               |       |      |        |       |
| Totalt                                                                                           | 93,0                                                                                                                                                                                                                                                                                                                                                                                                                                            |       |      |        |      |                                                                                                    |                                                                                                                                                                                                                                                                                                                                                                                                                                                               |       |      |        |       |
| Serie                                                                                            | 95,0                                                                                                                                                                                                                                                                                                                                                                                                                                            |       |      |        |      |                                                                                                    |                                                                                                                                                                                                                                                                                                                                                                                                                                                               |       |      |        |       |
| Totalt                                                                                           | 188,0                                                                                                                                                                                                                                                                                                                                                                                                                                           |       |      |        |      |                                                                                                    |                                                                                                                                                                                                                                                                                                                                                                                                                                                               |       |      |        |       |

|                                                                                                   |                                                                                                                                                                                                                                                                                                                                                                                                                                                         |       |      |        |       |                                                                                                     |                                                                                                                                                                                                                                                                                                                                                                                                                                                             |       |      |        |       |
|---------------------------------------------------------------------------------------------------|---------------------------------------------------------------------------------------------------------------------------------------------------------------------------------------------------------------------------------------------------------------------------------------------------------------------------------------------------------------------------------------------------------------------------------------------------------|-------|------|--------|-------|-----------------------------------------------------------------------------------------------------|-------------------------------------------------------------------------------------------------------------------------------------------------------------------------------------------------------------------------------------------------------------------------------------------------------------------------------------------------------------------------------------------------------------------------------------------------------------|-------|------|--------|-------|
| <p>60 shot</p>  | <p>21: 9,5 →</p> <p>22: 9,2 →</p> <p>23: 10,4* ↗</p> <p>24: 9,8 ↗</p> <p>25: 9,9 ↓</p> <p>26: 9,3 ←</p> <p>27: 10,0 ↗</p> <p>28: 9,7 ↗</p> <p>29: 9,4 ↗</p> <p>30: 10,3* →</p> <table border="1" style="width:100%; border-collapse: collapse;"> <tr> <td style="text-align: right;">Serie</td> <td style="text-align: right;">93,0</td> </tr> <tr> <td style="text-align: right;">Totalt</td> <td style="text-align: right;">281,0</td> </tr> </table> | Serie | 93,0 | Totalt | 281,0 | <p>60 shot</p>  | <p>31: 10,5* →</p> <p>32: 7,8 ←</p> <p>33: 9,2 ←</p> <p>34: 10,4* →</p> <p>35: 9,1 ↗</p> <p>36: 9,9 ↑</p> <p>37: 10,7* ↓</p> <p>38: 10,6* →</p> <p>39: 9,4 ↖</p> <p>40: 10,1 ↖</p> <table border="1" style="width:100%; border-collapse: collapse;"> <tr> <td style="text-align: right;">Serie</td> <td style="text-align: right;">93,0</td> </tr> <tr> <td style="text-align: right;">Totalt</td> <td style="text-align: right;">374,0</td> </tr> </table> | Serie | 93,0 | Totalt | 374,0 |
| Serie                                                                                             | 93,0                                                                                                                                                                                                                                                                                                                                                                                                                                                    |       |      |        |       |                                                                                                     |                                                                                                                                                                                                                                                                                                                                                                                                                                                             |       |      |        |       |
| Totalt                                                                                            | 281,0                                                                                                                                                                                                                                                                                                                                                                                                                                                   |       |      |        |       |                                                                                                     |                                                                                                                                                                                                                                                                                                                                                                                                                                                             |       |      |        |       |
| Serie                                                                                             | 93,0                                                                                                                                                                                                                                                                                                                                                                                                                                                    |       |      |        |       |                                                                                                     |                                                                                                                                                                                                                                                                                                                                                                                                                                                             |       |      |        |       |
| Totalt                                                                                            | 374,0                                                                                                                                                                                                                                                                                                                                                                                                                                                   |       |      |        |       |                                                                                                     |                                                                                                                                                                                                                                                                                                                                                                                                                                                             |       |      |        |       |

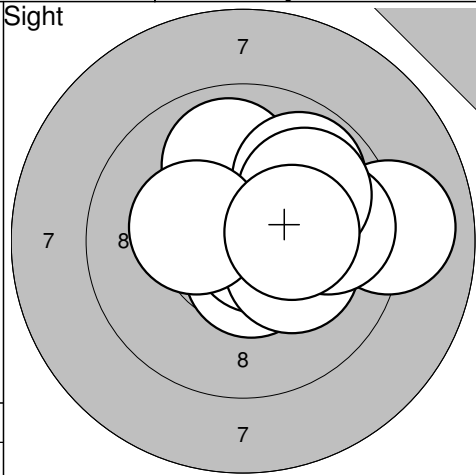
|                                                                                                                                                                  |                                                                                                                                            |  |
|------------------------------------------------------------------------------------------------------------------------------------------------------------------|--------------------------------------------------------------------------------------------------------------------------------------------|--|
| <p>Sight</p>                                                                     | <p>Sight</p>                                             |  |
| <p>1: 6,2 ←</p> <p>2: 8,2 ←</p> <p>3: 9,6 ↓</p> <p>4: 8,1 ↗</p> <p>5: 8,1 ←</p> <p>6: 8,2 ↓</p> <p>7: 8,9 ↗</p> <p>8: 9,5 →</p> <p>9: 6,5 ←</p> <p>10: 9,2 ↓</p> | <p>11: 8,8 →</p> <p>12: 6,3 ←</p> <p>13: 10,1 ↑</p> <p>14: 9,2 ←</p> <p>15: 8,1 ←</p> <p>16: 8,7 ↙</p> <p>17: 8,0 ↗</p> <p>18: 10,4* ↑</p> |  |
| Serie 79,0                                                                                                                                                       | Serie 67,0                                                                                                                                 |  |
| Totalt 0,0                                                                                                                                                       | Totalt 0,0                                                                                                                                 |  |

|                                                                                                                                                                      |                                                                                                                                                                           |  |
|----------------------------------------------------------------------------------------------------------------------------------------------------------------------|---------------------------------------------------------------------------------------------------------------------------------------------------------------------------|--|
| <p>60 shot</p>                                                                      | <p>60 shot</p>                                                                         |  |
| <p>1: 8,5 →</p> <p>2: 9,5 ←</p> <p>3: 10,5* ↗</p> <p>4: 9,6 ←</p> <p>5: 9,1 →</p> <p>6: 7,5 →</p> <p>7: 9,7 ↓</p> <p>8: 10,3* ↓</p> <p>9: 9,5 →</p> <p>10: 9,1 →</p> | <p>11: 7,6 ↙</p> <p>12: 9,3 ←</p> <p>13: 8,7 ↗</p> <p>14: 8,8 ↗</p> <p>15: 8,4 ↑</p> <p>16: 7,7 ↗</p> <p>17: 6,8 ↘</p> <p>18: 9,8 ↑</p> <p>19: 9,7 →</p> <p>20: 8,9 ←</p> |  |
| Serie 89,0                                                                                                                                                           | Serie 79,0                                                                                                                                                                |  |
| Totalt 89,0                                                                                                                                                          | Totalt 168,0                                                                                                                                                              |  |

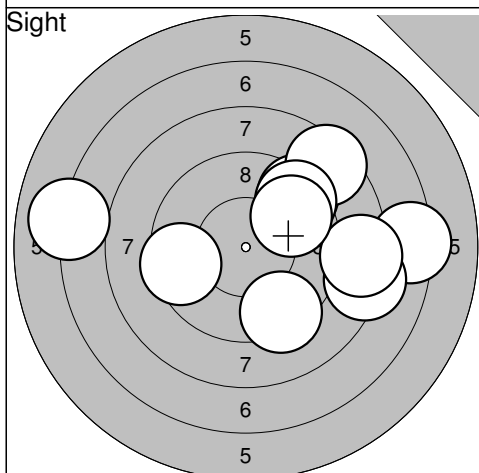
|                                                                                                                                                                            |                                                                                                                                                                                 |  |
|----------------------------------------------------------------------------------------------------------------------------------------------------------------------------|---------------------------------------------------------------------------------------------------------------------------------------------------------------------------------|--|
| <p>60 shot</p>                                                                           | <p>60 shot</p>                                                                              |  |
| <p>21: 8,8 ↑</p> <p>22: 10,0 ←</p> <p>23: 9,8 ↗</p> <p>24: 8,8 →</p> <p>25: 8,0 ←</p> <p>26: 8,9 ←</p> <p>27: 7,1 ↓</p> <p>28: 9,4 ↓</p> <p>29: 8,9 ↙</p> <p>30: 9,1 ↓</p> | <p>31: 9,8 ↗</p> <p>32: 10,5* ↗</p> <p>33: 6,8 ←</p> <p>34: 9,6 ↑</p> <p>35: 9,5 ↙</p> <p>36: 8,9 ←</p> <p>37: 9,6 ↗</p> <p>38: 10,2* ↘</p> <p>39: 8,7 ↗</p> <p>40: 10,5* ↗</p> |  |
| Serie 84,0                                                                                                                                                                 | Serie 88,0                                                                                                                                                                      |  |
| Totalt 252,0                                                                                                                                                               | Totalt 340,0                                                                                                                                                                    |  |



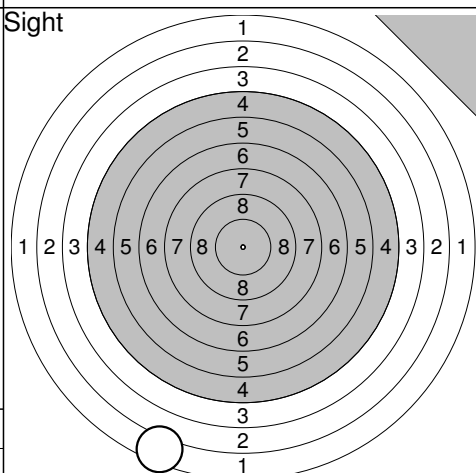
|                   |   |
|-------------------|---|
| 1: 9,3            | ↖ |
| 2: 9,8            | ↖ |
| 3: 9,0            | ↗ |
| 4: 8,6            | ↗ |
| 5: 7,4            | ↑ |
| 6: 9,1            | ↗ |
| 7: 10,2*          | ↗ |
| 8: 10,3*          | ↗ |
| 9: 9,4            | → |
| 10: 9,1           | ↗ |
| <b>Serie 92,2</b> |   |
| <b>Totalt 0,0</b> |   |



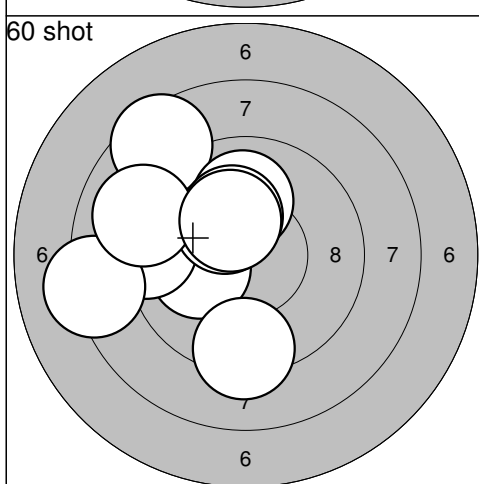
|                    |   |
|--------------------|---|
| 11: 10,5*          | ↓ |
| 12: 10,7*          | → |
| 13: 9,9            | ↑ |
| 14: 9,8            | ↗ |
| 15: 10,2*          | → |
| 16: 9,0            | → |
| 17: 9,8            | → |
| 18: 9,9            | ↗ |
| 19: 10,3*          | ← |
| 20: 10,3*          | → |
| <b>Serie 100,4</b> |   |
| <b>Totalt 0,0</b>  |   |



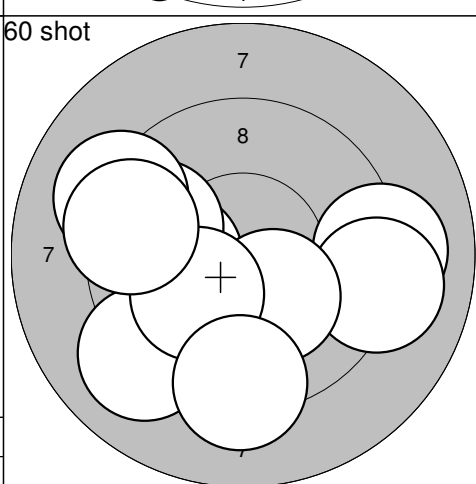
|                   |   |
|-------------------|---|
| 21: 9,3           | ↓ |
| 22: 9,3           | ↗ |
| 23: 7,3           | → |
| 24: 8,4           | ↗ |
| 25: 8,2           | → |
| 26: 9,5           | ↗ |
| 27: 8,4           | → |
| 28: 9,7           | ↗ |
| 29: 7,0           | ← |
| 30: 9,5           | ← |
| <b>Serie 86,6</b> |   |
| <b>Totalt 0,0</b> |   |



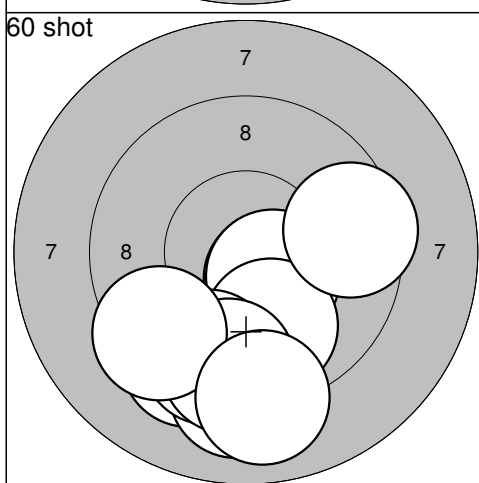
|                   |   |
|-------------------|---|
| 31: 2,4           | ↓ |
| <b>Serie 2,4</b>  |   |
| <b>Totalt 0,0</b> |   |



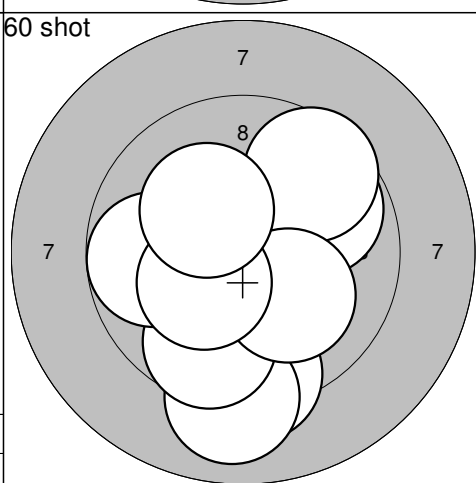
|                    |   |
|--------------------|---|
| 1: 10,1            | ← |
| 2: 9,2             | ← |
| 3: 8,5             | ↗ |
| 4: 8,2             | ← |
| 5: 9,3             | ↓ |
| 6: 10,0            | ↑ |
| 7: 10,3*           | ↗ |
| 8: 10,2*           | ↗ |
| 9: 9,0             | ← |
| 10: 10,3*          | ↗ |
| <b>Serie 95,1</b>  |   |
| <b>Totalt 95,1</b> |   |



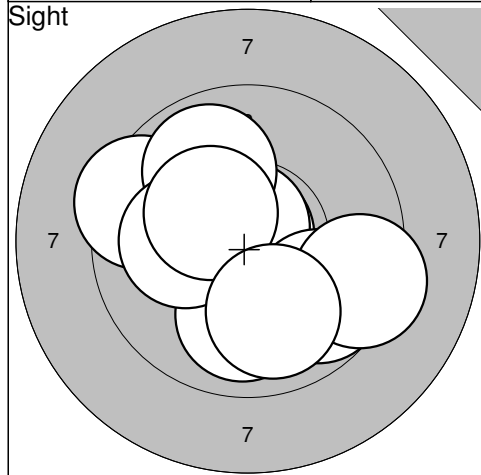
|                     |   |
|---------------------|---|
| 11: 10,1            | ← |
| 12: 9,1             | → |
| 13: 9,7             | ↖ |
| 14: 9,2             | ↖ |
| 15: 9,1             | ↙ |
| 16: 9,1             | → |
| 17: 10,3*           | ↓ |
| 18: 10,1            | ↙ |
| 19: 9,4             | ← |
| 20: 9,2             | ↓ |
| <b>Serie 95,3</b>   |   |
| <b>Totalt 190,4</b> |   |



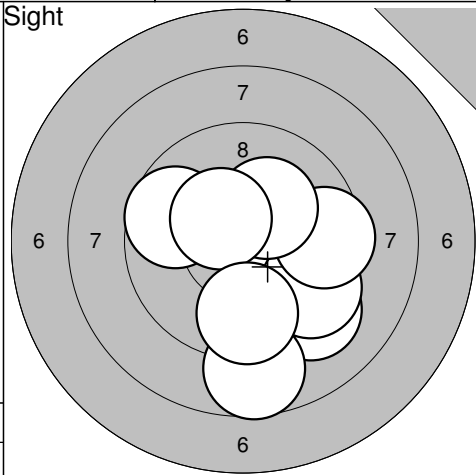
|                     |   |
|---------------------|---|
| 21: 10,5*           | ↓ |
| 22: 10,5*           | ↓ |
| 23: 9,3             | ↓ |
| 24: 9,1             | ↓ |
| 25: 9,9             | ↓ |
| 26: 9,5             | → |
| 27: 9,5             | ↓ |
| 28: 9,4             | ↓ |
| 29: 9,4             | ↙ |
| 30: 9,0             | ↓ |
| <b>Serie 96,1</b>   |   |
| <b>Totalt 286,5</b> |   |



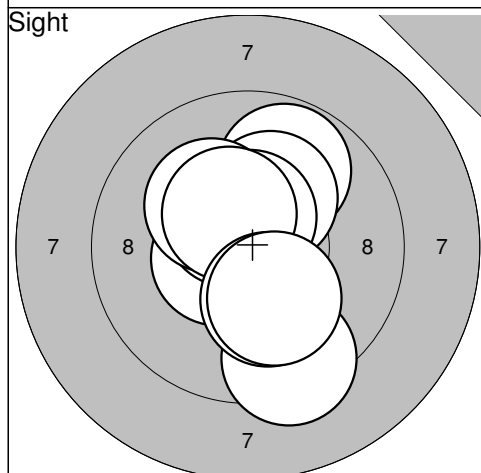
|                     |   |
|---------------------|---|
| 31: 9,3             | ↓ |
| 32: 9,0             | ↓ |
| 33: 10,5*           | ↓ |
| 34: 9,7             | ↓ |
| 35: 9,8             | ↗ |
| 36: 9,8             | ← |
| 37: 9,6             | ↗ |
| 38: 10,1            | ↓ |
| 39: 10,3*           | ↙ |
| 40: 10,2*           | ↗ |
| <b>Serie 98,3</b>   |   |
| <b>Totalt 384,8</b> |   |



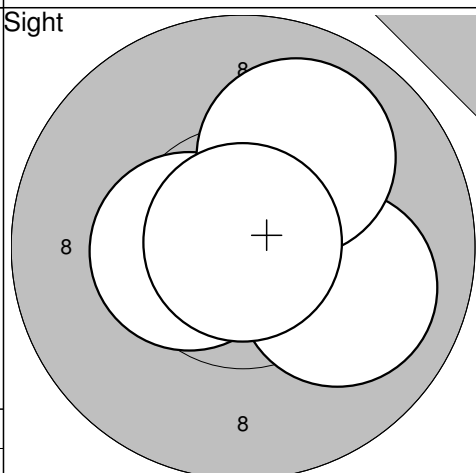
|                    |   |
|--------------------|---|
| 1: 10,9*           | ↑ |
| 2: 10,8*           | ↗ |
| 3: 9,4             | ↖ |
| 4: 10,0            | ↓ |
| 5: 9,9             | ↗ |
| 6: 9,7             | ↘ |
| 7: 10,1            | ← |
| 8: 10,3*           | ↗ |
| 9: 9,4             | → |
| 10: 9,9            | ↓ |
| <b>Serie 100,4</b> |   |
| <b>Totalt 0,0</b>  |   |



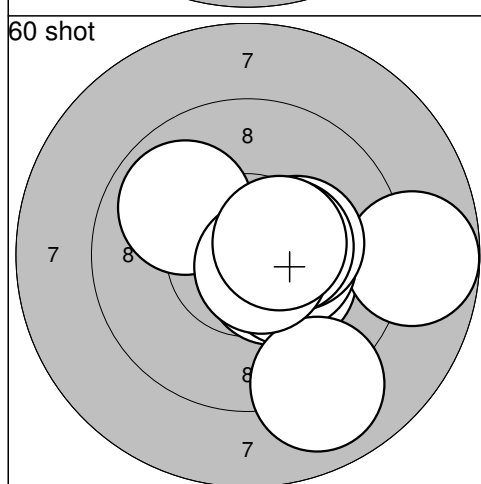
|                   |   |
|-------------------|---|
| 11: 10,6*         | → |
| 12: 9,2           | ↘ |
| 13: 8,7           | ↓ |
| 14: 9,9           | ↘ |
| 15: 9,7           | ↗ |
| 16: 9,5           | ↘ |
| 17: 9,5           | → |
| 18: 10,2*         | ↗ |
| 19: 10,4*         | ↗ |
| 20: 9,7           | ↓ |
| <b>Serie 97,4</b> |   |
| <b>Totalt 0,0</b> |   |



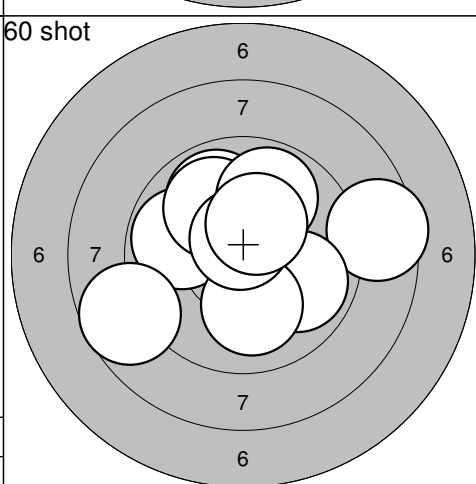
|                    |   |
|--------------------|---|
| 21: 10,5*          | ← |
| 22: 9,8            | ↗ |
| 23: 9,4            | ↓ |
| 24: 10,5*          | ↗ |
| 25: 10,2*          | ↗ |
| 26: 10,5*          | ↑ |
| 27: 10,2*          | ↗ |
| 28: 10,4*          | ↗ |
| 29: 10,2*          | ↓ |
| 30: 10,2*          | ↓ |
| <b>Serie 101,9</b> |   |
| <b>Totalt 0,0</b>  |   |



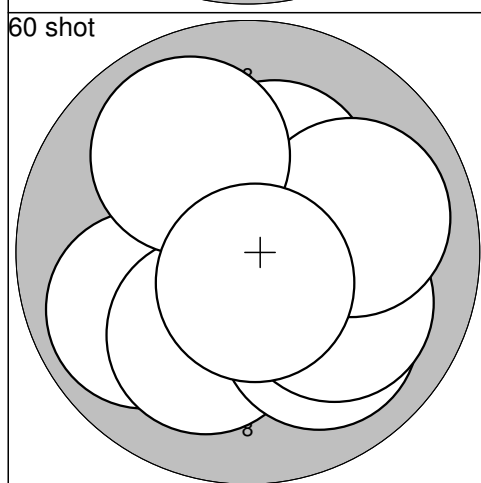
|                   |   |
|-------------------|---|
| 31: 10,0          | → |
| 32: 10,5*         | ← |
| 33: 10,0          | ↗ |
| 34: 10,9*         | ↑ |
| <b>Serie 41,4</b> |   |
| <b>Totalt 0,0</b> |   |



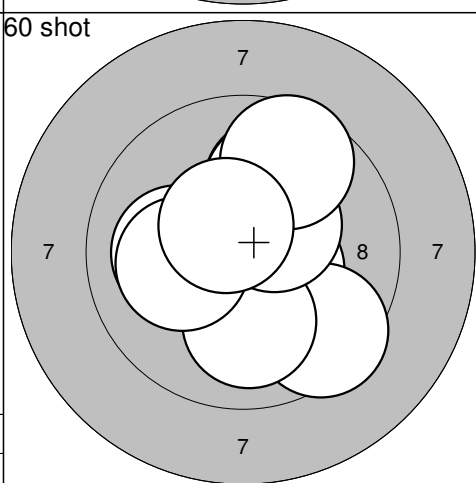
|                     |   |
|---------------------|---|
| 1: 10,5*            | ↘ |
| 2: 9,9              | ↗ |
| 3: 10,3*            | ↘ |
| 4: 8,8              | → |
| 5: 10,4*            | → |
| 6: 10,3*            | → |
| 7: 9,0              | ↓ |
| 8: 10,4*            | → |
| 9: 10,7*            | ↘ |
| 10: 10,5*           | → |
| <b>Serie 100,8</b>  |   |
| <b>Totalt 100,8</b> |   |



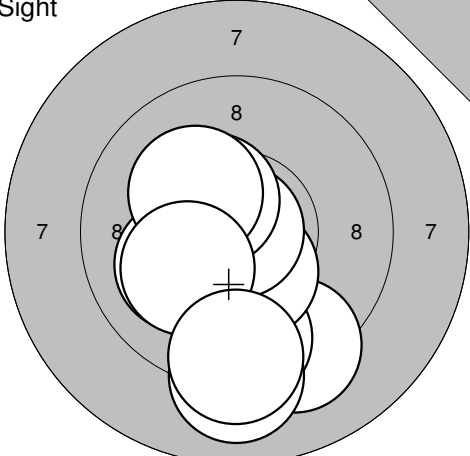
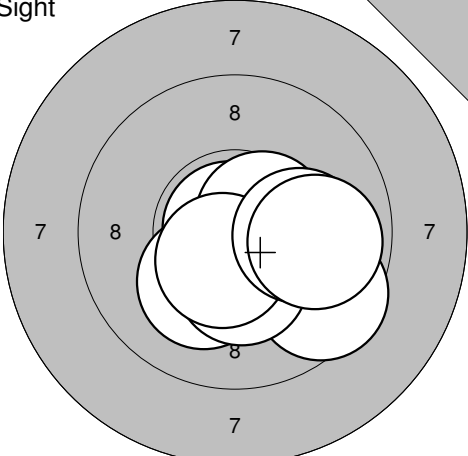
|                     |   |
|---------------------|---|
| 11: 9,8             | ← |
| 12: 9,9             | ↗ |
| 13: 8,5             | → |
| 14: 9,9             | ↘ |
| 15: 10,0            | ↗ |
| 16: 10,1            | ↓ |
| 17: 9,9             | ↗ |
| 18: 10,7*           | ↑ |
| 19: 10,4*           | ↗ |
| 20: 8,7             | ↙ |
| <b>Serie 97,9</b>   |   |
| <b>Totalt 198,7</b> |   |

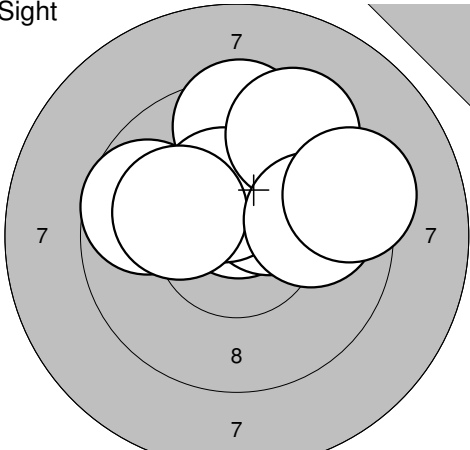
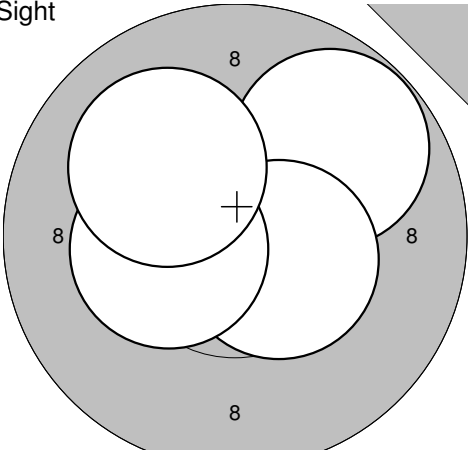


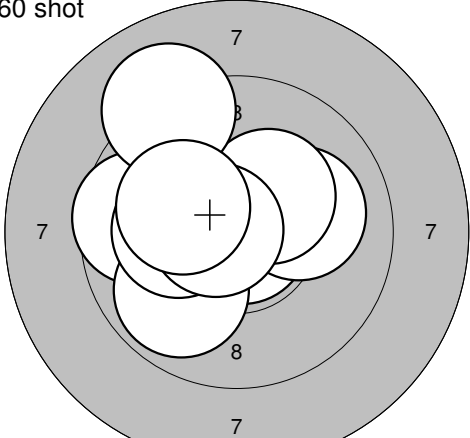
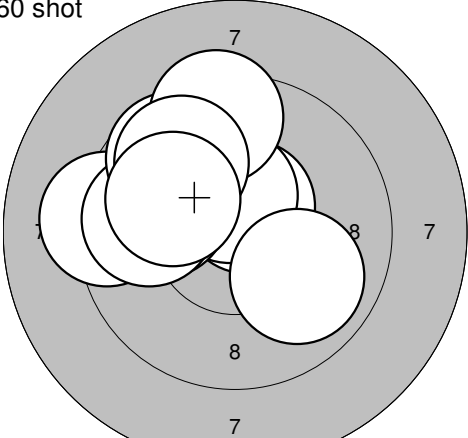
|                     |   |
|---------------------|---|
| 21: 9,9             | ← |
| 22: 10,1            | ↓ |
| 23: 10,0            | ↘ |
| 24: 10,4*           | ↑ |
| 25: 10,5*           | ↗ |
| 26: 10,0            | ↘ |
| 27: 10,2*           | ↗ |
| 28: 10,0            | → |
| 29: 9,9             | ↗ |
| 30: 10,7*           | ↓ |
| <b>Serie 101,7</b>  |   |
| <b>Totalt 300,4</b> |   |

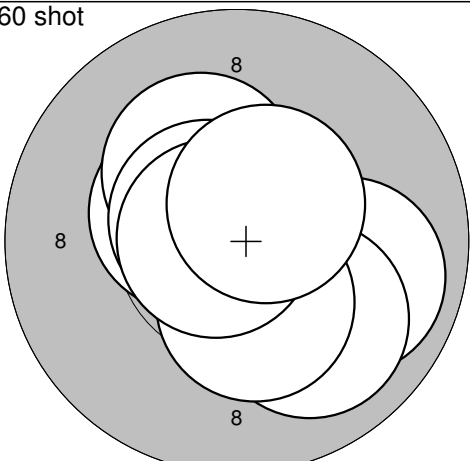
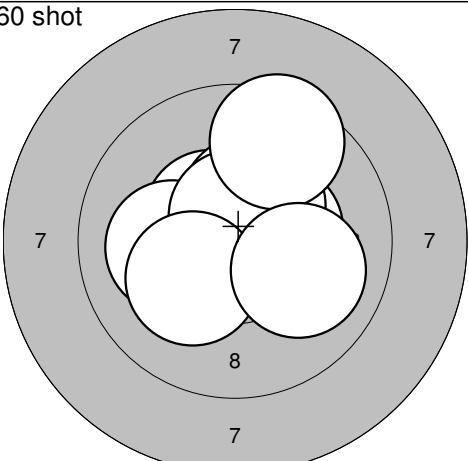


|                     |   |
|---------------------|---|
| 31: 10,4*           | → |
| 32: 9,5             | ↘ |
| 33: 10,0            | ↗ |
| 34: 10,1            | ← |
| 35: 10,0            | ↓ |
| 36: 10,0            | ↗ |
| 37: 10,4*           | ↗ |
| 38: 10,1            | ← |
| 39: 9,6             | ↗ |
| 40: 10,5*           | ↗ |
| <b>Serie 100,6</b>  |   |
| <b>Totalt 401,0</b> |   |

|                                                                                  |                                                                                                                                                                                                                                                                                                                                                                                                                                                                                                                                                                                                                                                                                                                                                                                                                                                                   |        |   |        |   |          |   |          |   |        |   |         |   |          |   |          |   |         |   |         |   |       |      |        |     |                                                                                    |                                                                                                                                                                                                                                                                                                                                                                                                                                                                                                                                                                                                                                                                                                                                                                                                                                                                                  |           |   |           |   |           |   |         |   |           |   |           |   |           |   |           |   |          |   |         |   |       |       |        |     |
|----------------------------------------------------------------------------------|-------------------------------------------------------------------------------------------------------------------------------------------------------------------------------------------------------------------------------------------------------------------------------------------------------------------------------------------------------------------------------------------------------------------------------------------------------------------------------------------------------------------------------------------------------------------------------------------------------------------------------------------------------------------------------------------------------------------------------------------------------------------------------------------------------------------------------------------------------------------|--------|---|--------|---|----------|---|----------|---|--------|---|---------|---|----------|---|----------|---|---------|---|---------|---|-------|------|--------|-----|------------------------------------------------------------------------------------|----------------------------------------------------------------------------------------------------------------------------------------------------------------------------------------------------------------------------------------------------------------------------------------------------------------------------------------------------------------------------------------------------------------------------------------------------------------------------------------------------------------------------------------------------------------------------------------------------------------------------------------------------------------------------------------------------------------------------------------------------------------------------------------------------------------------------------------------------------------------------------|-----------|---|-----------|---|-----------|---|---------|---|-----------|---|-----------|---|-----------|---|-----------|---|----------|---|---------|---|-------|-------|--------|-----|
| Sight                                                                            | Sight                                                                                                                                                                                                                                                                                                                                                                                                                                                                                                                                                                                                                                                                                                                                                                                                                                                             |        |   |        |   |          |   |          |   |        |   |         |   |          |   |          |   |         |   |         |   |       |      |        |     |                                                                                    |                                                                                                                                                                                                                                                                                                                                                                                                                                                                                                                                                                                                                                                                                                                                                                                                                                                                                  |           |   |           |   |           |   |         |   |           |   |           |   |           |   |           |   |          |   |         |   |       |       |        |     |
|  | <table border="1" style="width:100%; border-collapse: collapse;"> <tr><td>1: 9,2</td><td style="text-align: right;">↓</td></tr> <tr><td>2: 9,5</td><td style="text-align: right;">↓</td></tr> <tr><td>3: 10,4*</td><td style="text-align: right;">↓</td></tr> <tr><td>4: 10,9*</td><td style="text-align: right;">↑</td></tr> <tr><td>5: 9,0</td><td style="text-align: right;">↓</td></tr> <tr><td>6: 10,1</td><td style="text-align: right;">←</td></tr> <tr><td>7: 10,4*</td><td style="text-align: right;">↗</td></tr> <tr><td>8: 10,2*</td><td style="text-align: right;">↗</td></tr> <tr><td>9: 10,1</td><td style="text-align: right;">←</td></tr> <tr><td>10: 9,3</td><td style="text-align: right;">↓</td></tr> <tr><td>Serie</td><td style="text-align: right;">99,1</td></tr> <tr><td>Totalt</td><td style="text-align: right;">0,0</td></tr> </table> | 1: 9,2 | ↓ | 2: 9,5 | ↓ | 3: 10,4* | ↓ | 4: 10,9* | ↑ | 5: 9,0 | ↓ | 6: 10,1 | ← | 7: 10,4* | ↗ | 8: 10,2* | ↗ | 9: 10,1 | ← | 10: 9,3 | ↓ | Serie | 99,1 | Totalt | 0,0 |  | <table border="1" style="width:100%; border-collapse: collapse;"> <tr><td>11: 10,2*</td><td style="text-align: right;">↙</td></tr> <tr><td>12: 10,6*</td><td style="text-align: right;">↓</td></tr> <tr><td>13: 10,4*</td><td style="text-align: right;">→</td></tr> <tr><td>14: 9,5</td><td style="text-align: right;">↘</td></tr> <tr><td>15: 10,9*</td><td style="text-align: right;">↗</td></tr> <tr><td>16: 10,3*</td><td style="text-align: right;">↓</td></tr> <tr><td>17: 10,5*</td><td style="text-align: right;">→</td></tr> <tr><td>18: 10,5*</td><td style="text-align: right;">↓</td></tr> <tr><td>19: 10,1</td><td style="text-align: right;">→</td></tr> <tr><td>20: 9,9</td><td style="text-align: right;">→</td></tr> <tr><td>Serie</td><td style="text-align: right;">102,9</td></tr> <tr><td>Totalt</td><td style="text-align: right;">0,0</td></tr> </table> | 11: 10,2* | ↙ | 12: 10,6* | ↓ | 13: 10,4* | → | 14: 9,5 | ↘ | 15: 10,9* | ↗ | 16: 10,3* | ↓ | 17: 10,5* | → | 18: 10,5* | ↓ | 19: 10,1 | → | 20: 9,9 | → | Serie | 102,9 | Totalt | 0,0 |
| 1: 9,2                                                                           | ↓                                                                                                                                                                                                                                                                                                                                                                                                                                                                                                                                                                                                                                                                                                                                                                                                                                                                 |        |   |        |   |          |   |          |   |        |   |         |   |          |   |          |   |         |   |         |   |       |      |        |     |                                                                                    |                                                                                                                                                                                                                                                                                                                                                                                                                                                                                                                                                                                                                                                                                                                                                                                                                                                                                  |           |   |           |   |           |   |         |   |           |   |           |   |           |   |           |   |          |   |         |   |       |       |        |     |
| 2: 9,5                                                                           | ↓                                                                                                                                                                                                                                                                                                                                                                                                                                                                                                                                                                                                                                                                                                                                                                                                                                                                 |        |   |        |   |          |   |          |   |        |   |         |   |          |   |          |   |         |   |         |   |       |      |        |     |                                                                                    |                                                                                                                                                                                                                                                                                                                                                                                                                                                                                                                                                                                                                                                                                                                                                                                                                                                                                  |           |   |           |   |           |   |         |   |           |   |           |   |           |   |           |   |          |   |         |   |       |       |        |     |
| 3: 10,4*                                                                         | ↓                                                                                                                                                                                                                                                                                                                                                                                                                                                                                                                                                                                                                                                                                                                                                                                                                                                                 |        |   |        |   |          |   |          |   |        |   |         |   |          |   |          |   |         |   |         |   |       |      |        |     |                                                                                    |                                                                                                                                                                                                                                                                                                                                                                                                                                                                                                                                                                                                                                                                                                                                                                                                                                                                                  |           |   |           |   |           |   |         |   |           |   |           |   |           |   |           |   |          |   |         |   |       |       |        |     |
| 4: 10,9*                                                                         | ↑                                                                                                                                                                                                                                                                                                                                                                                                                                                                                                                                                                                                                                                                                                                                                                                                                                                                 |        |   |        |   |          |   |          |   |        |   |         |   |          |   |          |   |         |   |         |   |       |      |        |     |                                                                                    |                                                                                                                                                                                                                                                                                                                                                                                                                                                                                                                                                                                                                                                                                                                                                                                                                                                                                  |           |   |           |   |           |   |         |   |           |   |           |   |           |   |           |   |          |   |         |   |       |       |        |     |
| 5: 9,0                                                                           | ↓                                                                                                                                                                                                                                                                                                                                                                                                                                                                                                                                                                                                                                                                                                                                                                                                                                                                 |        |   |        |   |          |   |          |   |        |   |         |   |          |   |          |   |         |   |         |   |       |      |        |     |                                                                                    |                                                                                                                                                                                                                                                                                                                                                                                                                                                                                                                                                                                                                                                                                                                                                                                                                                                                                  |           |   |           |   |           |   |         |   |           |   |           |   |           |   |           |   |          |   |         |   |       |       |        |     |
| 6: 10,1                                                                          | ←                                                                                                                                                                                                                                                                                                                                                                                                                                                                                                                                                                                                                                                                                                                                                                                                                                                                 |        |   |        |   |          |   |          |   |        |   |         |   |          |   |          |   |         |   |         |   |       |      |        |     |                                                                                    |                                                                                                                                                                                                                                                                                                                                                                                                                                                                                                                                                                                                                                                                                                                                                                                                                                                                                  |           |   |           |   |           |   |         |   |           |   |           |   |           |   |           |   |          |   |         |   |       |       |        |     |
| 7: 10,4*                                                                         | ↗                                                                                                                                                                                                                                                                                                                                                                                                                                                                                                                                                                                                                                                                                                                                                                                                                                                                 |        |   |        |   |          |   |          |   |        |   |         |   |          |   |          |   |         |   |         |   |       |      |        |     |                                                                                    |                                                                                                                                                                                                                                                                                                                                                                                                                                                                                                                                                                                                                                                                                                                                                                                                                                                                                  |           |   |           |   |           |   |         |   |           |   |           |   |           |   |           |   |          |   |         |   |       |       |        |     |
| 8: 10,2*                                                                         | ↗                                                                                                                                                                                                                                                                                                                                                                                                                                                                                                                                                                                                                                                                                                                                                                                                                                                                 |        |   |        |   |          |   |          |   |        |   |         |   |          |   |          |   |         |   |         |   |       |      |        |     |                                                                                    |                                                                                                                                                                                                                                                                                                                                                                                                                                                                                                                                                                                                                                                                                                                                                                                                                                                                                  |           |   |           |   |           |   |         |   |           |   |           |   |           |   |           |   |          |   |         |   |       |       |        |     |
| 9: 10,1                                                                          | ←                                                                                                                                                                                                                                                                                                                                                                                                                                                                                                                                                                                                                                                                                                                                                                                                                                                                 |        |   |        |   |          |   |          |   |        |   |         |   |          |   |          |   |         |   |         |   |       |      |        |     |                                                                                    |                                                                                                                                                                                                                                                                                                                                                                                                                                                                                                                                                                                                                                                                                                                                                                                                                                                                                  |           |   |           |   |           |   |         |   |           |   |           |   |           |   |           |   |          |   |         |   |       |       |        |     |
| 10: 9,3                                                                          | ↓                                                                                                                                                                                                                                                                                                                                                                                                                                                                                                                                                                                                                                                                                                                                                                                                                                                                 |        |   |        |   |          |   |          |   |        |   |         |   |          |   |          |   |         |   |         |   |       |      |        |     |                                                                                    |                                                                                                                                                                                                                                                                                                                                                                                                                                                                                                                                                                                                                                                                                                                                                                                                                                                                                  |           |   |           |   |           |   |         |   |           |   |           |   |           |   |           |   |          |   |         |   |       |       |        |     |
| Serie                                                                            | 99,1                                                                                                                                                                                                                                                                                                                                                                                                                                                                                                                                                                                                                                                                                                                                                                                                                                                              |        |   |        |   |          |   |          |   |        |   |         |   |          |   |          |   |         |   |         |   |       |      |        |     |                                                                                    |                                                                                                                                                                                                                                                                                                                                                                                                                                                                                                                                                                                                                                                                                                                                                                                                                                                                                  |           |   |           |   |           |   |         |   |           |   |           |   |           |   |           |   |          |   |         |   |       |       |        |     |
| Totalt                                                                           | 0,0                                                                                                                                                                                                                                                                                                                                                                                                                                                                                                                                                                                                                                                                                                                                                                                                                                                               |        |   |        |   |          |   |          |   |        |   |         |   |          |   |          |   |         |   |         |   |       |      |        |     |                                                                                    |                                                                                                                                                                                                                                                                                                                                                                                                                                                                                                                                                                                                                                                                                                                                                                                                                                                                                  |           |   |           |   |           |   |         |   |           |   |           |   |           |   |           |   |          |   |         |   |       |       |        |     |
| 11: 10,2*                                                                        | ↙                                                                                                                                                                                                                                                                                                                                                                                                                                                                                                                                                                                                                                                                                                                                                                                                                                                                 |        |   |        |   |          |   |          |   |        |   |         |   |          |   |          |   |         |   |         |   |       |      |        |     |                                                                                    |                                                                                                                                                                                                                                                                                                                                                                                                                                                                                                                                                                                                                                                                                                                                                                                                                                                                                  |           |   |           |   |           |   |         |   |           |   |           |   |           |   |           |   |          |   |         |   |       |       |        |     |
| 12: 10,6*                                                                        | ↓                                                                                                                                                                                                                                                                                                                                                                                                                                                                                                                                                                                                                                                                                                                                                                                                                                                                 |        |   |        |   |          |   |          |   |        |   |         |   |          |   |          |   |         |   |         |   |       |      |        |     |                                                                                    |                                                                                                                                                                                                                                                                                                                                                                                                                                                                                                                                                                                                                                                                                                                                                                                                                                                                                  |           |   |           |   |           |   |         |   |           |   |           |   |           |   |           |   |          |   |         |   |       |       |        |     |
| 13: 10,4*                                                                        | →                                                                                                                                                                                                                                                                                                                                                                                                                                                                                                                                                                                                                                                                                                                                                                                                                                                                 |        |   |        |   |          |   |          |   |        |   |         |   |          |   |          |   |         |   |         |   |       |      |        |     |                                                                                    |                                                                                                                                                                                                                                                                                                                                                                                                                                                                                                                                                                                                                                                                                                                                                                                                                                                                                  |           |   |           |   |           |   |         |   |           |   |           |   |           |   |           |   |          |   |         |   |       |       |        |     |
| 14: 9,5                                                                          | ↘                                                                                                                                                                                                                                                                                                                                                                                                                                                                                                                                                                                                                                                                                                                                                                                                                                                                 |        |   |        |   |          |   |          |   |        |   |         |   |          |   |          |   |         |   |         |   |       |      |        |     |                                                                                    |                                                                                                                                                                                                                                                                                                                                                                                                                                                                                                                                                                                                                                                                                                                                                                                                                                                                                  |           |   |           |   |           |   |         |   |           |   |           |   |           |   |           |   |          |   |         |   |       |       |        |     |
| 15: 10,9*                                                                        | ↗                                                                                                                                                                                                                                                                                                                                                                                                                                                                                                                                                                                                                                                                                                                                                                                                                                                                 |        |   |        |   |          |   |          |   |        |   |         |   |          |   |          |   |         |   |         |   |       |      |        |     |                                                                                    |                                                                                                                                                                                                                                                                                                                                                                                                                                                                                                                                                                                                                                                                                                                                                                                                                                                                                  |           |   |           |   |           |   |         |   |           |   |           |   |           |   |           |   |          |   |         |   |       |       |        |     |
| 16: 10,3*                                                                        | ↓                                                                                                                                                                                                                                                                                                                                                                                                                                                                                                                                                                                                                                                                                                                                                                                                                                                                 |        |   |        |   |          |   |          |   |        |   |         |   |          |   |          |   |         |   |         |   |       |      |        |     |                                                                                    |                                                                                                                                                                                                                                                                                                                                                                                                                                                                                                                                                                                                                                                                                                                                                                                                                                                                                  |           |   |           |   |           |   |         |   |           |   |           |   |           |   |           |   |          |   |         |   |       |       |        |     |
| 17: 10,5*                                                                        | →                                                                                                                                                                                                                                                                                                                                                                                                                                                                                                                                                                                                                                                                                                                                                                                                                                                                 |        |   |        |   |          |   |          |   |        |   |         |   |          |   |          |   |         |   |         |   |       |      |        |     |                                                                                    |                                                                                                                                                                                                                                                                                                                                                                                                                                                                                                                                                                                                                                                                                                                                                                                                                                                                                  |           |   |           |   |           |   |         |   |           |   |           |   |           |   |           |   |          |   |         |   |       |       |        |     |
| 18: 10,5*                                                                        | ↓                                                                                                                                                                                                                                                                                                                                                                                                                                                                                                                                                                                                                                                                                                                                                                                                                                                                 |        |   |        |   |          |   |          |   |        |   |         |   |          |   |          |   |         |   |         |   |       |      |        |     |                                                                                    |                                                                                                                                                                                                                                                                                                                                                                                                                                                                                                                                                                                                                                                                                                                                                                                                                                                                                  |           |   |           |   |           |   |         |   |           |   |           |   |           |   |           |   |          |   |         |   |       |       |        |     |
| 19: 10,1                                                                         | →                                                                                                                                                                                                                                                                                                                                                                                                                                                                                                                                                                                                                                                                                                                                                                                                                                                                 |        |   |        |   |          |   |          |   |        |   |         |   |          |   |          |   |         |   |         |   |       |      |        |     |                                                                                    |                                                                                                                                                                                                                                                                                                                                                                                                                                                                                                                                                                                                                                                                                                                                                                                                                                                                                  |           |   |           |   |           |   |         |   |           |   |           |   |           |   |           |   |          |   |         |   |       |       |        |     |
| 20: 9,9                                                                          | →                                                                                                                                                                                                                                                                                                                                                                                                                                                                                                                                                                                                                                                                                                                                                                                                                                                                 |        |   |        |   |          |   |          |   |        |   |         |   |          |   |          |   |         |   |         |   |       |      |        |     |                                                                                    |                                                                                                                                                                                                                                                                                                                                                                                                                                                                                                                                                                                                                                                                                                                                                                                                                                                                                  |           |   |           |   |           |   |         |   |           |   |           |   |           |   |           |   |          |   |         |   |       |       |        |     |
| Serie                                                                            | 102,9                                                                                                                                                                                                                                                                                                                                                                                                                                                                                                                                                                                                                                                                                                                                                                                                                                                             |        |   |        |   |          |   |          |   |        |   |         |   |          |   |          |   |         |   |         |   |       |      |        |     |                                                                                    |                                                                                                                                                                                                                                                                                                                                                                                                                                                                                                                                                                                                                                                                                                                                                                                                                                                                                  |           |   |           |   |           |   |         |   |           |   |           |   |           |   |           |   |          |   |         |   |       |       |        |     |
| Totalt                                                                           | 0,0                                                                                                                                                                                                                                                                                                                                                                                                                                                                                                                                                                                                                                                                                                                                                                                                                                                               |        |   |        |   |          |   |          |   |        |   |         |   |          |   |          |   |         |   |         |   |       |      |        |     |                                                                                    |                                                                                                                                                                                                                                                                                                                                                                                                                                                                                                                                                                                                                                                                                                                                                                                                                                                                                  |           |   |           |   |           |   |         |   |           |   |           |   |           |   |           |   |          |   |         |   |       |       |        |     |

|                                                                                   |                                                                                                                                                                                                                                                                                                                                                                                                                                                                                                                                                                                                                                                                                                                                                                                                                                                                          |           |   |           |   |          |   |         |   |           |   |         |   |         |   |          |   |         |   |         |   |       |      |        |     |                                                                                     |                                                                                                                                                                                                                                                                                                                                                                                                                                                                             |         |   |           |   |           |   |          |   |       |      |        |     |
|-----------------------------------------------------------------------------------|--------------------------------------------------------------------------------------------------------------------------------------------------------------------------------------------------------------------------------------------------------------------------------------------------------------------------------------------------------------------------------------------------------------------------------------------------------------------------------------------------------------------------------------------------------------------------------------------------------------------------------------------------------------------------------------------------------------------------------------------------------------------------------------------------------------------------------------------------------------------------|-----------|---|-----------|---|----------|---|---------|---|-----------|---|---------|---|---------|---|----------|---|---------|---|---------|---|-------|------|--------|-----|-------------------------------------------------------------------------------------|-----------------------------------------------------------------------------------------------------------------------------------------------------------------------------------------------------------------------------------------------------------------------------------------------------------------------------------------------------------------------------------------------------------------------------------------------------------------------------|---------|---|-----------|---|-----------|---|----------|---|-------|------|--------|-----|
| Sight                                                                             | Sight                                                                                                                                                                                                                                                                                                                                                                                                                                                                                                                                                                                                                                                                                                                                                                                                                                                                    |           |   |           |   |          |   |         |   |           |   |         |   |         |   |          |   |         |   |         |   |       |      |        |     |                                                                                     |                                                                                                                                                                                                                                                                                                                                                                                                                                                                             |         |   |           |   |           |   |          |   |       |      |        |     |
|  | <table border="1" style="width:100%; border-collapse: collapse;"> <tr><td>21: 10,6*</td><td style="text-align: right;">↑</td></tr> <tr><td>22: 10,4*</td><td style="text-align: right;">↗</td></tr> <tr><td>23: 10,0</td><td style="text-align: right;">↗</td></tr> <tr><td>24: 9,5</td><td style="text-align: right;">↑</td></tr> <tr><td>25: 10,4*</td><td style="text-align: right;">↑</td></tr> <tr><td>26: 9,4</td><td style="text-align: right;">↗</td></tr> <tr><td>27: 9,7</td><td style="text-align: right;">←</td></tr> <tr><td>28: 10,1</td><td style="text-align: right;">←</td></tr> <tr><td>29: 9,9</td><td style="text-align: right;">→</td></tr> <tr><td>30: 9,3</td><td style="text-align: right;">↗</td></tr> <tr><td>Serie</td><td style="text-align: right;">99,3</td></tr> <tr><td>Totalt</td><td style="text-align: right;">0,0</td></tr> </table> | 21: 10,6* | ↑ | 22: 10,4* | ↗ | 23: 10,0 | ↗ | 24: 9,5 | ↑ | 25: 10,4* | ↑ | 26: 9,4 | ↗ | 27: 9,7 | ← | 28: 10,1 | ← | 29: 9,9 | → | 30: 9,3 | ↗ | Serie | 99,3 | Totalt | 0,0 |  | <table border="1" style="width:100%; border-collapse: collapse;"> <tr><td>31: 9,8</td><td style="text-align: right;">↗</td></tr> <tr><td>32: 10,5*</td><td style="text-align: right;">↘</td></tr> <tr><td>33: 10,3*</td><td style="text-align: right;">←</td></tr> <tr><td>34: 10,1</td><td style="text-align: right;">↗</td></tr> <tr><td>Serie</td><td style="text-align: right;">40,7</td></tr> <tr><td>Totalt</td><td style="text-align: right;">0,0</td></tr> </table> | 31: 9,8 | ↗ | 32: 10,5* | ↘ | 33: 10,3* | ← | 34: 10,1 | ↗ | Serie | 40,7 | Totalt | 0,0 |
| 21: 10,6*                                                                         | ↑                                                                                                                                                                                                                                                                                                                                                                                                                                                                                                                                                                                                                                                                                                                                                                                                                                                                        |           |   |           |   |          |   |         |   |           |   |         |   |         |   |          |   |         |   |         |   |       |      |        |     |                                                                                     |                                                                                                                                                                                                                                                                                                                                                                                                                                                                             |         |   |           |   |           |   |          |   |       |      |        |     |
| 22: 10,4*                                                                         | ↗                                                                                                                                                                                                                                                                                                                                                                                                                                                                                                                                                                                                                                                                                                                                                                                                                                                                        |           |   |           |   |          |   |         |   |           |   |         |   |         |   |          |   |         |   |         |   |       |      |        |     |                                                                                     |                                                                                                                                                                                                                                                                                                                                                                                                                                                                             |         |   |           |   |           |   |          |   |       |      |        |     |
| 23: 10,0                                                                          | ↗                                                                                                                                                                                                                                                                                                                                                                                                                                                                                                                                                                                                                                                                                                                                                                                                                                                                        |           |   |           |   |          |   |         |   |           |   |         |   |         |   |          |   |         |   |         |   |       |      |        |     |                                                                                     |                                                                                                                                                                                                                                                                                                                                                                                                                                                                             |         |   |           |   |           |   |          |   |       |      |        |     |
| 24: 9,5                                                                           | ↑                                                                                                                                                                                                                                                                                                                                                                                                                                                                                                                                                                                                                                                                                                                                                                                                                                                                        |           |   |           |   |          |   |         |   |           |   |         |   |         |   |          |   |         |   |         |   |       |      |        |     |                                                                                     |                                                                                                                                                                                                                                                                                                                                                                                                                                                                             |         |   |           |   |           |   |          |   |       |      |        |     |
| 25: 10,4*                                                                         | ↑                                                                                                                                                                                                                                                                                                                                                                                                                                                                                                                                                                                                                                                                                                                                                                                                                                                                        |           |   |           |   |          |   |         |   |           |   |         |   |         |   |          |   |         |   |         |   |       |      |        |     |                                                                                     |                                                                                                                                                                                                                                                                                                                                                                                                                                                                             |         |   |           |   |           |   |          |   |       |      |        |     |
| 26: 9,4                                                                           | ↗                                                                                                                                                                                                                                                                                                                                                                                                                                                                                                                                                                                                                                                                                                                                                                                                                                                                        |           |   |           |   |          |   |         |   |           |   |         |   |         |   |          |   |         |   |         |   |       |      |        |     |                                                                                     |                                                                                                                                                                                                                                                                                                                                                                                                                                                                             |         |   |           |   |           |   |          |   |       |      |        |     |
| 27: 9,7                                                                           | ←                                                                                                                                                                                                                                                                                                                                                                                                                                                                                                                                                                                                                                                                                                                                                                                                                                                                        |           |   |           |   |          |   |         |   |           |   |         |   |         |   |          |   |         |   |         |   |       |      |        |     |                                                                                     |                                                                                                                                                                                                                                                                                                                                                                                                                                                                             |         |   |           |   |           |   |          |   |       |      |        |     |
| 28: 10,1                                                                          | ←                                                                                                                                                                                                                                                                                                                                                                                                                                                                                                                                                                                                                                                                                                                                                                                                                                                                        |           |   |           |   |          |   |         |   |           |   |         |   |         |   |          |   |         |   |         |   |       |      |        |     |                                                                                     |                                                                                                                                                                                                                                                                                                                                                                                                                                                                             |         |   |           |   |           |   |          |   |       |      |        |     |
| 29: 9,9                                                                           | →                                                                                                                                                                                                                                                                                                                                                                                                                                                                                                                                                                                                                                                                                                                                                                                                                                                                        |           |   |           |   |          |   |         |   |           |   |         |   |         |   |          |   |         |   |         |   |       |      |        |     |                                                                                     |                                                                                                                                                                                                                                                                                                                                                                                                                                                                             |         |   |           |   |           |   |          |   |       |      |        |     |
| 30: 9,3                                                                           | ↗                                                                                                                                                                                                                                                                                                                                                                                                                                                                                                                                                                                                                                                                                                                                                                                                                                                                        |           |   |           |   |          |   |         |   |           |   |         |   |         |   |          |   |         |   |         |   |       |      |        |     |                                                                                     |                                                                                                                                                                                                                                                                                                                                                                                                                                                                             |         |   |           |   |           |   |          |   |       |      |        |     |
| Serie                                                                             | 99,3                                                                                                                                                                                                                                                                                                                                                                                                                                                                                                                                                                                                                                                                                                                                                                                                                                                                     |           |   |           |   |          |   |         |   |           |   |         |   |         |   |          |   |         |   |         |   |       |      |        |     |                                                                                     |                                                                                                                                                                                                                                                                                                                                                                                                                                                                             |         |   |           |   |           |   |          |   |       |      |        |     |
| Totalt                                                                            | 0,0                                                                                                                                                                                                                                                                                                                                                                                                                                                                                                                                                                                                                                                                                                                                                                                                                                                                      |           |   |           |   |          |   |         |   |           |   |         |   |         |   |          |   |         |   |         |   |       |      |        |     |                                                                                     |                                                                                                                                                                                                                                                                                                                                                                                                                                                                             |         |   |           |   |           |   |          |   |       |      |        |     |
| 31: 9,8                                                                           | ↗                                                                                                                                                                                                                                                                                                                                                                                                                                                                                                                                                                                                                                                                                                                                                                                                                                                                        |           |   |           |   |          |   |         |   |           |   |         |   |         |   |          |   |         |   |         |   |       |      |        |     |                                                                                     |                                                                                                                                                                                                                                                                                                                                                                                                                                                                             |         |   |           |   |           |   |          |   |       |      |        |     |
| 32: 10,5*                                                                         | ↘                                                                                                                                                                                                                                                                                                                                                                                                                                                                                                                                                                                                                                                                                                                                                                                                                                                                        |           |   |           |   |          |   |         |   |           |   |         |   |         |   |          |   |         |   |         |   |       |      |        |     |                                                                                     |                                                                                                                                                                                                                                                                                                                                                                                                                                                                             |         |   |           |   |           |   |          |   |       |      |        |     |
| 33: 10,3*                                                                         | ←                                                                                                                                                                                                                                                                                                                                                                                                                                                                                                                                                                                                                                                                                                                                                                                                                                                                        |           |   |           |   |          |   |         |   |           |   |         |   |         |   |          |   |         |   |         |   |       |      |        |     |                                                                                     |                                                                                                                                                                                                                                                                                                                                                                                                                                                                             |         |   |           |   |           |   |          |   |       |      |        |     |
| 34: 10,1                                                                          | ↗                                                                                                                                                                                                                                                                                                                                                                                                                                                                                                                                                                                                                                                                                                                                                                                                                                                                        |           |   |           |   |          |   |         |   |           |   |         |   |         |   |          |   |         |   |         |   |       |      |        |     |                                                                                     |                                                                                                                                                                                                                                                                                                                                                                                                                                                                             |         |   |           |   |           |   |          |   |       |      |        |     |
| Serie                                                                             | 40,7                                                                                                                                                                                                                                                                                                                                                                                                                                                                                                                                                                                                                                                                                                                                                                                                                                                                     |           |   |           |   |          |   |         |   |           |   |         |   |         |   |          |   |         |   |         |   |       |      |        |     |                                                                                     |                                                                                                                                                                                                                                                                                                                                                                                                                                                                             |         |   |           |   |           |   |          |   |       |      |        |     |
| Totalt                                                                            | 0,0                                                                                                                                                                                                                                                                                                                                                                                                                                                                                                                                                                                                                                                                                                                                                                                                                                                                      |           |   |           |   |          |   |         |   |           |   |         |   |         |   |          |   |         |   |         |   |       |      |        |     |                                                                                     |                                                                                                                                                                                                                                                                                                                                                                                                                                                                             |         |   |           |   |           |   |          |   |       |      |        |     |

|                                                                                    |                                                                                                                                                                                                                                                                                                                                                                                                                                                                                                                                                                                                                                                                                                                                                                                                                                                                         |          |   |        |   |         |   |          |   |        |   |          |   |          |   |        |   |          |   |           |   |       |       |        |       |                                                                                      |                                                                                                                                                                                                                                                                                                                                                                                                                                                                                                                                                                                                                                                                                                                                                                                                                                                                         |           |   |         |   |           |   |         |   |         |   |         |   |         |   |         |   |         |   |          |   |       |      |        |       |
|------------------------------------------------------------------------------------|-------------------------------------------------------------------------------------------------------------------------------------------------------------------------------------------------------------------------------------------------------------------------------------------------------------------------------------------------------------------------------------------------------------------------------------------------------------------------------------------------------------------------------------------------------------------------------------------------------------------------------------------------------------------------------------------------------------------------------------------------------------------------------------------------------------------------------------------------------------------------|----------|---|--------|---|---------|---|----------|---|--------|---|----------|---|----------|---|--------|---|----------|---|-----------|---|-------|-------|--------|-------|--------------------------------------------------------------------------------------|-------------------------------------------------------------------------------------------------------------------------------------------------------------------------------------------------------------------------------------------------------------------------------------------------------------------------------------------------------------------------------------------------------------------------------------------------------------------------------------------------------------------------------------------------------------------------------------------------------------------------------------------------------------------------------------------------------------------------------------------------------------------------------------------------------------------------------------------------------------------------|-----------|---|---------|---|-----------|---|---------|---|---------|---|---------|---|---------|---|---------|---|---------|---|----------|---|-------|------|--------|-------|
| 60 shot                                                                            | 60 shot                                                                                                                                                                                                                                                                                                                                                                                                                                                                                                                                                                                                                                                                                                                                                                                                                                                                 |          |   |        |   |         |   |          |   |        |   |          |   |          |   |        |   |          |   |           |   |       |       |        |       |                                                                                      |                                                                                                                                                                                                                                                                                                                                                                                                                                                                                                                                                                                                                                                                                                                                                                                                                                                                         |           |   |         |   |           |   |         |   |         |   |         |   |         |   |         |   |         |   |          |   |       |      |        |       |
|  | <table border="1" style="width:100%; border-collapse: collapse;"> <tr><td>1: 10,8*</td><td style="text-align: right;">↘</td></tr> <tr><td>2: 9,6</td><td style="text-align: right;">←</td></tr> <tr><td>3: 10,1</td><td style="text-align: right;">→</td></tr> <tr><td>4: 10,5*</td><td style="text-align: right;">↗</td></tr> <tr><td>5: 9,9</td><td style="text-align: right;">↓</td></tr> <tr><td>6: 10,3*</td><td style="text-align: right;">↗</td></tr> <tr><td>7: 10,2*</td><td style="text-align: right;">←</td></tr> <tr><td>8: 9,1</td><td style="text-align: right;">↗</td></tr> <tr><td>9: 10,7*</td><td style="text-align: right;">←</td></tr> <tr><td>10: 10,2*</td><td style="text-align: right;">↖</td></tr> <tr><td>Serie</td><td style="text-align: right;">101,4</td></tr> <tr><td>Totalt</td><td style="text-align: right;">101,4</td></tr> </table> | 1: 10,8* | ↘ | 2: 9,6 | ← | 3: 10,1 | → | 4: 10,5* | ↗ | 5: 9,9 | ↓ | 6: 10,3* | ↗ | 7: 10,2* | ← | 8: 9,1 | ↗ | 9: 10,7* | ← | 10: 10,2* | ↖ | Serie | 101,4 | Totalt | 101,4 |  | <table border="1" style="width:100%; border-collapse: collapse;"> <tr><td>11: 10,6*</td><td style="text-align: right;">↑</td></tr> <tr><td>12: 9,2</td><td style="text-align: right;">←</td></tr> <tr><td>13: 10,5*</td><td style="text-align: right;">↑</td></tr> <tr><td>14: 9,9</td><td style="text-align: right;">←</td></tr> <tr><td>15: 9,8</td><td style="text-align: right;">←</td></tr> <tr><td>16: 9,7</td><td style="text-align: right;">↗</td></tr> <tr><td>17: 9,4</td><td style="text-align: right;">↑</td></tr> <tr><td>18: 9,9</td><td style="text-align: right;">↘</td></tr> <tr><td>19: 9,8</td><td style="text-align: right;">↗</td></tr> <tr><td>20: 10,0</td><td style="text-align: right;">↖</td></tr> <tr><td>Serie</td><td style="text-align: right;">98,8</td></tr> <tr><td>Totalt</td><td style="text-align: right;">200,2</td></tr> </table> | 11: 10,6* | ↑ | 12: 9,2 | ← | 13: 10,5* | ↑ | 14: 9,9 | ← | 15: 9,8 | ← | 16: 9,7 | ↗ | 17: 9,4 | ↑ | 18: 9,9 | ↘ | 19: 9,8 | ↗ | 20: 10,0 | ↖ | Serie | 98,8 | Totalt | 200,2 |
| 1: 10,8*                                                                           | ↘                                                                                                                                                                                                                                                                                                                                                                                                                                                                                                                                                                                                                                                                                                                                                                                                                                                                       |          |   |        |   |         |   |          |   |        |   |          |   |          |   |        |   |          |   |           |   |       |       |        |       |                                                                                      |                                                                                                                                                                                                                                                                                                                                                                                                                                                                                                                                                                                                                                                                                                                                                                                                                                                                         |           |   |         |   |           |   |         |   |         |   |         |   |         |   |         |   |         |   |          |   |       |      |        |       |
| 2: 9,6                                                                             | ←                                                                                                                                                                                                                                                                                                                                                                                                                                                                                                                                                                                                                                                                                                                                                                                                                                                                       |          |   |        |   |         |   |          |   |        |   |          |   |          |   |        |   |          |   |           |   |       |       |        |       |                                                                                      |                                                                                                                                                                                                                                                                                                                                                                                                                                                                                                                                                                                                                                                                                                                                                                                                                                                                         |           |   |         |   |           |   |         |   |         |   |         |   |         |   |         |   |         |   |          |   |       |      |        |       |
| 3: 10,1                                                                            | →                                                                                                                                                                                                                                                                                                                                                                                                                                                                                                                                                                                                                                                                                                                                                                                                                                                                       |          |   |        |   |         |   |          |   |        |   |          |   |          |   |        |   |          |   |           |   |       |       |        |       |                                                                                      |                                                                                                                                                                                                                                                                                                                                                                                                                                                                                                                                                                                                                                                                                                                                                                                                                                                                         |           |   |         |   |           |   |         |   |         |   |         |   |         |   |         |   |         |   |          |   |       |      |        |       |
| 4: 10,5*                                                                           | ↗                                                                                                                                                                                                                                                                                                                                                                                                                                                                                                                                                                                                                                                                                                                                                                                                                                                                       |          |   |        |   |         |   |          |   |        |   |          |   |          |   |        |   |          |   |           |   |       |       |        |       |                                                                                      |                                                                                                                                                                                                                                                                                                                                                                                                                                                                                                                                                                                                                                                                                                                                                                                                                                                                         |           |   |         |   |           |   |         |   |         |   |         |   |         |   |         |   |         |   |          |   |       |      |        |       |
| 5: 9,9                                                                             | ↓                                                                                                                                                                                                                                                                                                                                                                                                                                                                                                                                                                                                                                                                                                                                                                                                                                                                       |          |   |        |   |         |   |          |   |        |   |          |   |          |   |        |   |          |   |           |   |       |       |        |       |                                                                                      |                                                                                                                                                                                                                                                                                                                                                                                                                                                                                                                                                                                                                                                                                                                                                                                                                                                                         |           |   |         |   |           |   |         |   |         |   |         |   |         |   |         |   |         |   |          |   |       |      |        |       |
| 6: 10,3*                                                                           | ↗                                                                                                                                                                                                                                                                                                                                                                                                                                                                                                                                                                                                                                                                                                                                                                                                                                                                       |          |   |        |   |         |   |          |   |        |   |          |   |          |   |        |   |          |   |           |   |       |       |        |       |                                                                                      |                                                                                                                                                                                                                                                                                                                                                                                                                                                                                                                                                                                                                                                                                                                                                                                                                                                                         |           |   |         |   |           |   |         |   |         |   |         |   |         |   |         |   |         |   |          |   |       |      |        |       |
| 7: 10,2*                                                                           | ←                                                                                                                                                                                                                                                                                                                                                                                                                                                                                                                                                                                                                                                                                                                                                                                                                                                                       |          |   |        |   |         |   |          |   |        |   |          |   |          |   |        |   |          |   |           |   |       |       |        |       |                                                                                      |                                                                                                                                                                                                                                                                                                                                                                                                                                                                                                                                                                                                                                                                                                                                                                                                                                                                         |           |   |         |   |           |   |         |   |         |   |         |   |         |   |         |   |         |   |          |   |       |      |        |       |
| 8: 9,1                                                                             | ↗                                                                                                                                                                                                                                                                                                                                                                                                                                                                                                                                                                                                                                                                                                                                                                                                                                                                       |          |   |        |   |         |   |          |   |        |   |          |   |          |   |        |   |          |   |           |   |       |       |        |       |                                                                                      |                                                                                                                                                                                                                                                                                                                                                                                                                                                                                                                                                                                                                                                                                                                                                                                                                                                                         |           |   |         |   |           |   |         |   |         |   |         |   |         |   |         |   |         |   |          |   |       |      |        |       |
| 9: 10,7*                                                                           | ←                                                                                                                                                                                                                                                                                                                                                                                                                                                                                                                                                                                                                                                                                                                                                                                                                                                                       |          |   |        |   |         |   |          |   |        |   |          |   |          |   |        |   |          |   |           |   |       |       |        |       |                                                                                      |                                                                                                                                                                                                                                                                                                                                                                                                                                                                                                                                                                                                                                                                                                                                                                                                                                                                         |           |   |         |   |           |   |         |   |         |   |         |   |         |   |         |   |         |   |          |   |       |      |        |       |
| 10: 10,2*                                                                          | ↖                                                                                                                                                                                                                                                                                                                                                                                                                                                                                                                                                                                                                                                                                                                                                                                                                                                                       |          |   |        |   |         |   |          |   |        |   |          |   |          |   |        |   |          |   |           |   |       |       |        |       |                                                                                      |                                                                                                                                                                                                                                                                                                                                                                                                                                                                                                                                                                                                                                                                                                                                                                                                                                                                         |           |   |         |   |           |   |         |   |         |   |         |   |         |   |         |   |         |   |          |   |       |      |        |       |
| Serie                                                                              | 101,4                                                                                                                                                                                                                                                                                                                                                                                                                                                                                                                                                                                                                                                                                                                                                                                                                                                                   |          |   |        |   |         |   |          |   |        |   |          |   |          |   |        |   |          |   |           |   |       |       |        |       |                                                                                      |                                                                                                                                                                                                                                                                                                                                                                                                                                                                                                                                                                                                                                                                                                                                                                                                                                                                         |           |   |         |   |           |   |         |   |         |   |         |   |         |   |         |   |         |   |          |   |       |      |        |       |
| Totalt                                                                             | 101,4                                                                                                                                                                                                                                                                                                                                                                                                                                                                                                                                                                                                                                                                                                                                                                                                                                                                   |          |   |        |   |         |   |          |   |        |   |          |   |          |   |        |   |          |   |           |   |       |       |        |       |                                                                                      |                                                                                                                                                                                                                                                                                                                                                                                                                                                                                                                                                                                                                                                                                                                                                                                                                                                                         |           |   |         |   |           |   |         |   |         |   |         |   |         |   |         |   |         |   |          |   |       |      |        |       |
| 11: 10,6*                                                                          | ↑                                                                                                                                                                                                                                                                                                                                                                                                                                                                                                                                                                                                                                                                                                                                                                                                                                                                       |          |   |        |   |         |   |          |   |        |   |          |   |          |   |        |   |          |   |           |   |       |       |        |       |                                                                                      |                                                                                                                                                                                                                                                                                                                                                                                                                                                                                                                                                                                                                                                                                                                                                                                                                                                                         |           |   |         |   |           |   |         |   |         |   |         |   |         |   |         |   |         |   |          |   |       |      |        |       |
| 12: 9,2                                                                            | ←                                                                                                                                                                                                                                                                                                                                                                                                                                                                                                                                                                                                                                                                                                                                                                                                                                                                       |          |   |        |   |         |   |          |   |        |   |          |   |          |   |        |   |          |   |           |   |       |       |        |       |                                                                                      |                                                                                                                                                                                                                                                                                                                                                                                                                                                                                                                                                                                                                                                                                                                                                                                                                                                                         |           |   |         |   |           |   |         |   |         |   |         |   |         |   |         |   |         |   |          |   |       |      |        |       |
| 13: 10,5*                                                                          | ↑                                                                                                                                                                                                                                                                                                                                                                                                                                                                                                                                                                                                                                                                                                                                                                                                                                                                       |          |   |        |   |         |   |          |   |        |   |          |   |          |   |        |   |          |   |           |   |       |       |        |       |                                                                                      |                                                                                                                                                                                                                                                                                                                                                                                                                                                                                                                                                                                                                                                                                                                                                                                                                                                                         |           |   |         |   |           |   |         |   |         |   |         |   |         |   |         |   |         |   |          |   |       |      |        |       |
| 14: 9,9                                                                            | ←                                                                                                                                                                                                                                                                                                                                                                                                                                                                                                                                                                                                                                                                                                                                                                                                                                                                       |          |   |        |   |         |   |          |   |        |   |          |   |          |   |        |   |          |   |           |   |       |       |        |       |                                                                                      |                                                                                                                                                                                                                                                                                                                                                                                                                                                                                                                                                                                                                                                                                                                                                                                                                                                                         |           |   |         |   |           |   |         |   |         |   |         |   |         |   |         |   |         |   |          |   |       |      |        |       |
| 15: 9,8                                                                            | ←                                                                                                                                                                                                                                                                                                                                                                                                                                                                                                                                                                                                                                                                                                                                                                                                                                                                       |          |   |        |   |         |   |          |   |        |   |          |   |          |   |        |   |          |   |           |   |       |       |        |       |                                                                                      |                                                                                                                                                                                                                                                                                                                                                                                                                                                                                                                                                                                                                                                                                                                                                                                                                                                                         |           |   |         |   |           |   |         |   |         |   |         |   |         |   |         |   |         |   |          |   |       |      |        |       |
| 16: 9,7                                                                            | ↗                                                                                                                                                                                                                                                                                                                                                                                                                                                                                                                                                                                                                                                                                                                                                                                                                                                                       |          |   |        |   |         |   |          |   |        |   |          |   |          |   |        |   |          |   |           |   |       |       |        |       |                                                                                      |                                                                                                                                                                                                                                                                                                                                                                                                                                                                                                                                                                                                                                                                                                                                                                                                                                                                         |           |   |         |   |           |   |         |   |         |   |         |   |         |   |         |   |         |   |          |   |       |      |        |       |
| 17: 9,4                                                                            | ↑                                                                                                                                                                                                                                                                                                                                                                                                                                                                                                                                                                                                                                                                                                                                                                                                                                                                       |          |   |        |   |         |   |          |   |        |   |          |   |          |   |        |   |          |   |           |   |       |       |        |       |                                                                                      |                                                                                                                                                                                                                                                                                                                                                                                                                                                                                                                                                                                                                                                                                                                                                                                                                                                                         |           |   |         |   |           |   |         |   |         |   |         |   |         |   |         |   |         |   |          |   |       |      |        |       |
| 18: 9,9                                                                            | ↘                                                                                                                                                                                                                                                                                                                                                                                                                                                                                                                                                                                                                                                                                                                                                                                                                                                                       |          |   |        |   |         |   |          |   |        |   |          |   |          |   |        |   |          |   |           |   |       |       |        |       |                                                                                      |                                                                                                                                                                                                                                                                                                                                                                                                                                                                                                                                                                                                                                                                                                                                                                                                                                                                         |           |   |         |   |           |   |         |   |         |   |         |   |         |   |         |   |         |   |          |   |       |      |        |       |
| 19: 9,8                                                                            | ↗                                                                                                                                                                                                                                                                                                                                                                                                                                                                                                                                                                                                                                                                                                                                                                                                                                                                       |          |   |        |   |         |   |          |   |        |   |          |   |          |   |        |   |          |   |           |   |       |       |        |       |                                                                                      |                                                                                                                                                                                                                                                                                                                                                                                                                                                                                                                                                                                                                                                                                                                                                                                                                                                                         |           |   |         |   |           |   |         |   |         |   |         |   |         |   |         |   |         |   |          |   |       |      |        |       |
| 20: 10,0                                                                           | ↖                                                                                                                                                                                                                                                                                                                                                                                                                                                                                                                                                                                                                                                                                                                                                                                                                                                                       |          |   |        |   |         |   |          |   |        |   |          |   |          |   |        |   |          |   |           |   |       |       |        |       |                                                                                      |                                                                                                                                                                                                                                                                                                                                                                                                                                                                                                                                                                                                                                                                                                                                                                                                                                                                         |           |   |         |   |           |   |         |   |         |   |         |   |         |   |         |   |         |   |          |   |       |      |        |       |
| Serie                                                                              | 98,8                                                                                                                                                                                                                                                                                                                                                                                                                                                                                                                                                                                                                                                                                                                                                                                                                                                                    |          |   |        |   |         |   |          |   |        |   |          |   |          |   |        |   |          |   |           |   |       |       |        |       |                                                                                      |                                                                                                                                                                                                                                                                                                                                                                                                                                                                                                                                                                                                                                                                                                                                                                                                                                                                         |           |   |         |   |           |   |         |   |         |   |         |   |         |   |         |   |         |   |          |   |       |      |        |       |
| Totalt                                                                             | 200,2                                                                                                                                                                                                                                                                                                                                                                                                                                                                                                                                                                                                                                                                                                                                                                                                                                                                   |          |   |        |   |         |   |          |   |        |   |          |   |          |   |        |   |          |   |           |   |       |       |        |       |                                                                                      |                                                                                                                                                                                                                                                                                                                                                                                                                                                                                                                                                                                                                                                                                                                                                                                                                                                                         |           |   |         |   |           |   |         |   |         |   |         |   |         |   |         |   |         |   |          |   |       |      |        |       |

|                                                                                    |                                                                                                                                                                                                                                                                                                                                                                                                                                                                                                                                                                                                                                                                                                                                                                                                                                                                                      |           |   |           |   |         |   |          |   |           |   |           |   |           |   |           |   |           |   |           |   |       |       |        |       |                                                                                      |                                                                                                                                                                                                                                                                                                                                                                                                                                                                                                                                                                                                                                                                                                                                                                                                                                                                                     |           |   |           |   |           |   |          |   |           |   |           |   |           |   |           |   |         |   |          |   |       |       |        |       |
|------------------------------------------------------------------------------------|--------------------------------------------------------------------------------------------------------------------------------------------------------------------------------------------------------------------------------------------------------------------------------------------------------------------------------------------------------------------------------------------------------------------------------------------------------------------------------------------------------------------------------------------------------------------------------------------------------------------------------------------------------------------------------------------------------------------------------------------------------------------------------------------------------------------------------------------------------------------------------------|-----------|---|-----------|---|---------|---|----------|---|-----------|---|-----------|---|-----------|---|-----------|---|-----------|---|-----------|---|-------|-------|--------|-------|--------------------------------------------------------------------------------------|-------------------------------------------------------------------------------------------------------------------------------------------------------------------------------------------------------------------------------------------------------------------------------------------------------------------------------------------------------------------------------------------------------------------------------------------------------------------------------------------------------------------------------------------------------------------------------------------------------------------------------------------------------------------------------------------------------------------------------------------------------------------------------------------------------------------------------------------------------------------------------------|-----------|---|-----------|---|-----------|---|----------|---|-----------|---|-----------|---|-----------|---|-----------|---|---------|---|----------|---|-------|-------|--------|-------|
| 60 shot                                                                            | 60 shot                                                                                                                                                                                                                                                                                                                                                                                                                                                                                                                                                                                                                                                                                                                                                                                                                                                                              |           |   |           |   |         |   |          |   |           |   |           |   |           |   |           |   |           |   |           |   |       |       |        |       |                                                                                      |                                                                                                                                                                                                                                                                                                                                                                                                                                                                                                                                                                                                                                                                                                                                                                                                                                                                                     |           |   |           |   |           |   |          |   |           |   |           |   |           |   |           |   |         |   |          |   |       |       |        |       |
|  | <table border="1" style="width:100%; border-collapse: collapse;"> <tr><td>21: 10,4*</td><td style="text-align: right;">↗</td></tr> <tr><td>22: 10,5*</td><td style="text-align: right;">↓</td></tr> <tr><td>23: 9,9</td><td style="text-align: right;">↘</td></tr> <tr><td>24: 10,0</td><td style="text-align: right;">↓</td></tr> <tr><td>25: 10,4*</td><td style="text-align: right;">↗</td></tr> <tr><td>26: 10,3*</td><td style="text-align: right;">↗</td></tr> <tr><td>27: 10,6*</td><td style="text-align: right;">↗</td></tr> <tr><td>28: 10,4*</td><td style="text-align: right;">↓</td></tr> <tr><td>29: 10,8*</td><td style="text-align: right;">←</td></tr> <tr><td>30: 10,5*</td><td style="text-align: right;">↗</td></tr> <tr><td>Serie</td><td style="text-align: right;">103,8</td></tr> <tr><td>Totalt</td><td style="text-align: right;">304,0</td></tr> </table> | 21: 10,4* | ↗ | 22: 10,5* | ↓ | 23: 9,9 | ↘ | 24: 10,0 | ↓ | 25: 10,4* | ↗ | 26: 10,3* | ↗ | 27: 10,6* | ↗ | 28: 10,4* | ↓ | 29: 10,8* | ← | 30: 10,5* | ↗ | Serie | 103,8 | Totalt | 304,0 |  | <table border="1" style="width:100%; border-collapse: collapse;"> <tr><td>31: 10,6*</td><td style="text-align: right;">←</td></tr> <tr><td>32: 10,5*</td><td style="text-align: right;">↗</td></tr> <tr><td>33: 10,4*</td><td style="text-align: right;">→</td></tr> <tr><td>34: 10,1</td><td style="text-align: right;">←</td></tr> <tr><td>35: 10,4*</td><td style="text-align: right;">↑</td></tr> <tr><td>36: 10,4*</td><td style="text-align: right;">↗</td></tr> <tr><td>37: 10,6*</td><td style="text-align: right;">↑</td></tr> <tr><td>38: 10,2*</td><td style="text-align: right;">↖</td></tr> <tr><td>39: 9,5</td><td style="text-align: right;">↑</td></tr> <tr><td>40: 10,0</td><td style="text-align: right;">↘</td></tr> <tr><td>Serie</td><td style="text-align: right;">102,7</td></tr> <tr><td>Totalt</td><td style="text-align: right;">406,7</td></tr> </table> | 31: 10,6* | ← | 32: 10,5* | ↗ | 33: 10,4* | → | 34: 10,1 | ← | 35: 10,4* | ↑ | 36: 10,4* | ↗ | 37: 10,6* | ↑ | 38: 10,2* | ↖ | 39: 9,5 | ↑ | 40: 10,0 | ↘ | Serie | 102,7 | Totalt | 406,7 |
| 21: 10,4*                                                                          | ↗                                                                                                                                                                                                                                                                                                                                                                                                                                                                                                                                                                                                                                                                                                                                                                                                                                                                                    |           |   |           |   |         |   |          |   |           |   |           |   |           |   |           |   |           |   |           |   |       |       |        |       |                                                                                      |                                                                                                                                                                                                                                                                                                                                                                                                                                                                                                                                                                                                                                                                                                                                                                                                                                                                                     |           |   |           |   |           |   |          |   |           |   |           |   |           |   |           |   |         |   |          |   |       |       |        |       |
| 22: 10,5*                                                                          | ↓                                                                                                                                                                                                                                                                                                                                                                                                                                                                                                                                                                                                                                                                                                                                                                                                                                                                                    |           |   |           |   |         |   |          |   |           |   |           |   |           |   |           |   |           |   |           |   |       |       |        |       |                                                                                      |                                                                                                                                                                                                                                                                                                                                                                                                                                                                                                                                                                                                                                                                                                                                                                                                                                                                                     |           |   |           |   |           |   |          |   |           |   |           |   |           |   |           |   |         |   |          |   |       |       |        |       |
| 23: 9,9                                                                            | ↘                                                                                                                                                                                                                                                                                                                                                                                                                                                                                                                                                                                                                                                                                                                                                                                                                                                                                    |           |   |           |   |         |   |          |   |           |   |           |   |           |   |           |   |           |   |           |   |       |       |        |       |                                                                                      |                                                                                                                                                                                                                                                                                                                                                                                                                                                                                                                                                                                                                                                                                                                                                                                                                                                                                     |           |   |           |   |           |   |          |   |           |   |           |   |           |   |           |   |         |   |          |   |       |       |        |       |
| 24: 10,0                                                                           | ↓                                                                                                                                                                                                                                                                                                                                                                                                                                                                                                                                                                                                                                                                                                                                                                                                                                                                                    |           |   |           |   |         |   |          |   |           |   |           |   |           |   |           |   |           |   |           |   |       |       |        |       |                                                                                      |                                                                                                                                                                                                                                                                                                                                                                                                                                                                                                                                                                                                                                                                                                                                                                                                                                                                                     |           |   |           |   |           |   |          |   |           |   |           |   |           |   |           |   |         |   |          |   |       |       |        |       |
| 25: 10,4*                                                                          | ↗                                                                                                                                                                                                                                                                                                                                                                                                                                                                                                                                                                                                                                                                                                                                                                                                                                                                                    |           |   |           |   |         |   |          |   |           |   |           |   |           |   |           |   |           |   |           |   |       |       |        |       |                                                                                      |                                                                                                                                                                                                                                                                                                                                                                                                                                                                                                                                                                                                                                                                                                                                                                                                                                                                                     |           |   |           |   |           |   |          |   |           |   |           |   |           |   |           |   |         |   |          |   |       |       |        |       |
| 26: 10,3*                                                                          | ↗                                                                                                                                                                                                                                                                                                                                                                                                                                                                                                                                                                                                                                                                                                                                                                                                                                                                                    |           |   |           |   |         |   |          |   |           |   |           |   |           |   |           |   |           |   |           |   |       |       |        |       |                                                                                      |                                                                                                                                                                                                                                                                                                                                                                                                                                                                                                                                                                                                                                                                                                                                                                                                                                                                                     |           |   |           |   |           |   |          |   |           |   |           |   |           |   |           |   |         |   |          |   |       |       |        |       |
| 27: 10,6*                                                                          | ↗                                                                                                                                                                                                                                                                                                                                                                                                                                                                                                                                                                                                                                                                                                                                                                                                                                                                                    |           |   |           |   |         |   |          |   |           |   |           |   |           |   |           |   |           |   |           |   |       |       |        |       |                                                                                      |                                                                                                                                                                                                                                                                                                                                                                                                                                                                                                                                                                                                                                                                                                                                                                                                                                                                                     |           |   |           |   |           |   |          |   |           |   |           |   |           |   |           |   |         |   |          |   |       |       |        |       |
| 28: 10,4*                                                                          | ↓                                                                                                                                                                                                                                                                                                                                                                                                                                                                                                                                                                                                                                                                                                                                                                                                                                                                                    |           |   |           |   |         |   |          |   |           |   |           |   |           |   |           |   |           |   |           |   |       |       |        |       |                                                                                      |                                                                                                                                                                                                                                                                                                                                                                                                                                                                                                                                                                                                                                                                                                                                                                                                                                                                                     |           |   |           |   |           |   |          |   |           |   |           |   |           |   |           |   |         |   |          |   |       |       |        |       |
| 29: 10,8*                                                                          | ←                                                                                                                                                                                                                                                                                                                                                                                                                                                                                                                                                                                                                                                                                                                                                                                                                                                                                    |           |   |           |   |         |   |          |   |           |   |           |   |           |   |           |   |           |   |           |   |       |       |        |       |                                                                                      |                                                                                                                                                                                                                                                                                                                                                                                                                                                                                                                                                                                                                                                                                                                                                                                                                                                                                     |           |   |           |   |           |   |          |   |           |   |           |   |           |   |           |   |         |   |          |   |       |       |        |       |
| 30: 10,5*                                                                          | ↗                                                                                                                                                                                                                                                                                                                                                                                                                                                                                                                                                                                                                                                                                                                                                                                                                                                                                    |           |   |           |   |         |   |          |   |           |   |           |   |           |   |           |   |           |   |           |   |       |       |        |       |                                                                                      |                                                                                                                                                                                                                                                                                                                                                                                                                                                                                                                                                                                                                                                                                                                                                                                                                                                                                     |           |   |           |   |           |   |          |   |           |   |           |   |           |   |           |   |         |   |          |   |       |       |        |       |
| Serie                                                                              | 103,8                                                                                                                                                                                                                                                                                                                                                                                                                                                                                                                                                                                                                                                                                                                                                                                                                                                                                |           |   |           |   |         |   |          |   |           |   |           |   |           |   |           |   |           |   |           |   |       |       |        |       |                                                                                      |                                                                                                                                                                                                                                                                                                                                                                                                                                                                                                                                                                                                                                                                                                                                                                                                                                                                                     |           |   |           |   |           |   |          |   |           |   |           |   |           |   |           |   |         |   |          |   |       |       |        |       |
| Totalt                                                                             | 304,0                                                                                                                                                                                                                                                                                                                                                                                                                                                                                                                                                                                                                                                                                                                                                                                                                                                                                |           |   |           |   |         |   |          |   |           |   |           |   |           |   |           |   |           |   |           |   |       |       |        |       |                                                                                      |                                                                                                                                                                                                                                                                                                                                                                                                                                                                                                                                                                                                                                                                                                                                                                                                                                                                                     |           |   |           |   |           |   |          |   |           |   |           |   |           |   |           |   |         |   |          |   |       |       |        |       |
| 31: 10,6*                                                                          | ←                                                                                                                                                                                                                                                                                                                                                                                                                                                                                                                                                                                                                                                                                                                                                                                                                                                                                    |           |   |           |   |         |   |          |   |           |   |           |   |           |   |           |   |           |   |           |   |       |       |        |       |                                                                                      |                                                                                                                                                                                                                                                                                                                                                                                                                                                                                                                                                                                                                                                                                                                                                                                                                                                                                     |           |   |           |   |           |   |          |   |           |   |           |   |           |   |           |   |         |   |          |   |       |       |        |       |
| 32: 10,5*                                                                          | ↗                                                                                                                                                                                                                                                                                                                                                                                                                                                                                                                                                                                                                                                                                                                                                                                                                                                                                    |           |   |           |   |         |   |          |   |           |   |           |   |           |   |           |   |           |   |           |   |       |       |        |       |                                                                                      |                                                                                                                                                                                                                                                                                                                                                                                                                                                                                                                                                                                                                                                                                                                                                                                                                                                                                     |           |   |           |   |           |   |          |   |           |   |           |   |           |   |           |   |         |   |          |   |       |       |        |       |
| 33: 10,4*                                                                          | →                                                                                                                                                                                                                                                                                                                                                                                                                                                                                                                                                                                                                                                                                                                                                                                                                                                                                    |           |   |           |   |         |   |          |   |           |   |           |   |           |   |           |   |           |   |           |   |       |       |        |       |                                                                                      |                                                                                                                                                                                                                                                                                                                                                                                                                                                                                                                                                                                                                                                                                                                                                                                                                                                                                     |           |   |           |   |           |   |          |   |           |   |           |   |           |   |           |   |         |   |          |   |       |       |        |       |
| 34: 10,1                                                                           | ←                                                                                                                                                                                                                                                                                                                                                                                                                                                                                                                                                                                                                                                                                                                                                                                                                                                                                    |           |   |           |   |         |   |          |   |           |   |           |   |           |   |           |   |           |   |           |   |       |       |        |       |                                                                                      |                                                                                                                                                                                                                                                                                                                                                                                                                                                                                                                                                                                                                                                                                                                                                                                                                                                                                     |           |   |           |   |           |   |          |   |           |   |           |   |           |   |           |   |         |   |          |   |       |       |        |       |
| 35: 10,4*                                                                          | ↑                                                                                                                                                                                                                                                                                                                                                                                                                                                                                                                                                                                                                                                                                                                                                                                                                                                                                    |           |   |           |   |         |   |          |   |           |   |           |   |           |   |           |   |           |   |           |   |       |       |        |       |                                                                                      |                                                                                                                                                                                                                                                                                                                                                                                                                                                                                                                                                                                                                                                                                                                                                                                                                                                                                     |           |   |           |   |           |   |          |   |           |   |           |   |           |   |           |   |         |   |          |   |       |       |        |       |
| 36: 10,4*                                                                          | ↗                                                                                                                                                                                                                                                                                                                                                                                                                                                                                                                                                                                                                                                                                                                                                                                                                                                                                    |           |   |           |   |         |   |          |   |           |   |           |   |           |   |           |   |           |   |           |   |       |       |        |       |                                                                                      |                                                                                                                                                                                                                                                                                                                                                                                                                                                                                                                                                                                                                                                                                                                                                                                                                                                                                     |           |   |           |   |           |   |          |   |           |   |           |   |           |   |           |   |         |   |          |   |       |       |        |       |
| 37: 10,6*                                                                          | ↑                                                                                                                                                                                                                                                                                                                                                                                                                                                                                                                                                                                                                                                                                                                                                                                                                                                                                    |           |   |           |   |         |   |          |   |           |   |           |   |           |   |           |   |           |   |           |   |       |       |        |       |                                                                                      |                                                                                                                                                                                                                                                                                                                                                                                                                                                                                                                                                                                                                                                                                                                                                                                                                                                                                     |           |   |           |   |           |   |          |   |           |   |           |   |           |   |           |   |         |   |          |   |       |       |        |       |
| 38: 10,2*                                                                          | ↖                                                                                                                                                                                                                                                                                                                                                                                                                                                                                                                                                                                                                                                                                                                                                                                                                                                                                    |           |   |           |   |         |   |          |   |           |   |           |   |           |   |           |   |           |   |           |   |       |       |        |       |                                                                                      |                                                                                                                                                                                                                                                                                                                                                                                                                                                                                                                                                                                                                                                                                                                                                                                                                                                                                     |           |   |           |   |           |   |          |   |           |   |           |   |           |   |           |   |         |   |          |   |       |       |        |       |
| 39: 9,5                                                                            | ↑                                                                                                                                                                                                                                                                                                                                                                                                                                                                                                                                                                                                                                                                                                                                                                                                                                                                                    |           |   |           |   |         |   |          |   |           |   |           |   |           |   |           |   |           |   |           |   |       |       |        |       |                                                                                      |                                                                                                                                                                                                                                                                                                                                                                                                                                                                                                                                                                                                                                                                                                                                                                                                                                                                                     |           |   |           |   |           |   |          |   |           |   |           |   |           |   |           |   |         |   |          |   |       |       |        |       |
| 40: 10,0                                                                           | ↘                                                                                                                                                                                                                                                                                                                                                                                                                                                                                                                                                                                                                                                                                                                                                                                                                                                                                    |           |   |           |   |         |   |          |   |           |   |           |   |           |   |           |   |           |   |           |   |       |       |        |       |                                                                                      |                                                                                                                                                                                                                                                                                                                                                                                                                                                                                                                                                                                                                                                                                                                                                                                                                                                                                     |           |   |           |   |           |   |          |   |           |   |           |   |           |   |           |   |         |   |          |   |       |       |        |       |
| Serie                                                                              | 102,7                                                                                                                                                                                                                                                                                                                                                                                                                                                                                                                                                                                                                                                                                                                                                                                                                                                                                |           |   |           |   |         |   |          |   |           |   |           |   |           |   |           |   |           |   |           |   |       |       |        |       |                                                                                      |                                                                                                                                                                                                                                                                                                                                                                                                                                                                                                                                                                                                                                                                                                                                                                                                                                                                                     |           |   |           |   |           |   |          |   |           |   |           |   |           |   |           |   |         |   |          |   |       |       |        |       |
| Totalt                                                                             | 406,7                                                                                                                                                                                                                                                                                                                                                                                                                                                                                                                                                                                                                                                                                                                                                                                                                                                                                |           |   |           |   |         |   |          |   |           |   |           |   |           |   |           |   |           |   |           |   |       |       |        |       |                                                                                      |                                                                                                                                                                                                                                                                                                                                                                                                                                                                                                                                                                                                                                                                                                                                                                                                                                                                                     |           |   |           |   |           |   |          |   |           |   |           |   |           |   |           |   |         |   |          |   |       |       |        |       |

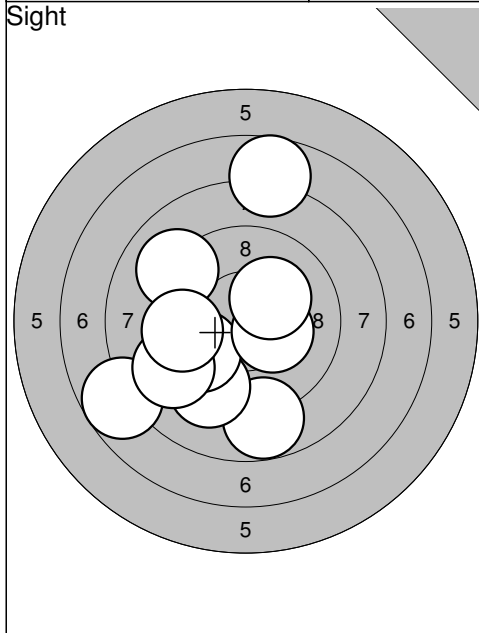
|                                                                                                                                                                 |                                                                                                                                                                        |  |
|-----------------------------------------------------------------------------------------------------------------------------------------------------------------|------------------------------------------------------------------------------------------------------------------------------------------------------------------------|--|
| Sight                                                                                                                                                           | Sight                                                                                                                                                                  |  |
|                                                                                                                                                                 |                                                                                                                                                                        |  |
| 1: 10,1 ↗<br>2: 9,3 ↘<br>3: 10,2* ↗<br>4: 8,7 ↖<br>5: 10,5* ↖<br>6: 10,1 ↖<br>7: 9,6 →<br>8: 9,2 →<br>9: 9,6 ↘<br>10: 10,2* ↘<br><hr/> Serie 97,5<br>Totalt 0,0 | 11: 9,9 ↘<br>12: 9,8 ↘<br>13: 10,3* ↘<br>14: 9,3 →<br>15: 9,3 ↗<br>16: 10,4* →<br>17: 10,5* ↘<br>18: 9,4 ↘<br>19: 9,6 ↘<br>20: 9,5 ↘<br><hr/> Serie 98,0<br>Totalt 0,0 |  |

|                                                                                                                                                                            |                                                                                                                                                                              |  |
|----------------------------------------------------------------------------------------------------------------------------------------------------------------------------|------------------------------------------------------------------------------------------------------------------------------------------------------------------------------|--|
| Sight                                                                                                                                                                      | Sight                                                                                                                                                                        |  |
|                                                                                                                                                                            |                                                                                                                                                                              |  |
| 21: 10,5* →<br>22: 10,0 ↗<br>23: 8,1 ↗<br>24: 10,4* ↘<br>25: 9,6 ↖<br>26: 9,3 ↖<br>27: 10,2* ↖<br>28: 10,4* ↗<br>29: 9,0 ↖<br>30: 10,0 ↘<br><hr/> Serie 97,5<br>Totalt 0,0 | 31: 10,7* ↘<br>32: 10,7* →<br>33: 9,7 ↘<br>34: 8,4 ↖<br>35: 10,3* ↘<br>36: 9,4 →<br>37: 10,3* ↗<br>38: 10,6* ↘<br>39: 9,3 ↗<br>40: 10,4* ←<br><hr/> Serie 99,8<br>Totalt 0,0 |  |

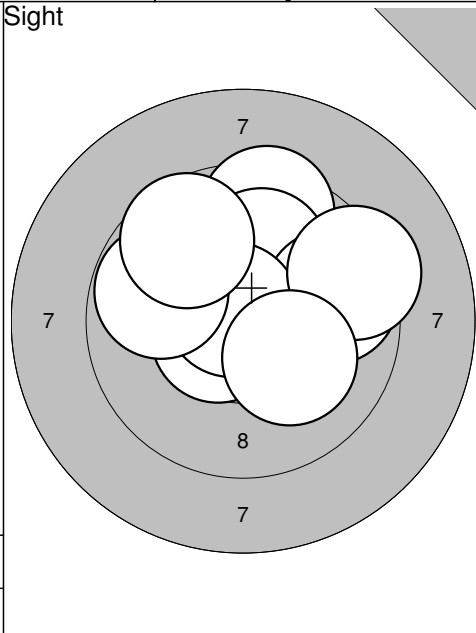
|                                               |                                                                                                                                                                        |  |
|-----------------------------------------------|------------------------------------------------------------------------------------------------------------------------------------------------------------------------|--|
| Sight                                         | 60 shot                                                                                                                                                                |  |
|                                               |                                                                                                                                                                        |  |
| 41: 10,6* →<br><hr/> Serie 10,6<br>Totalt 0,0 | 1: 10,6* ↘<br>2: 10,1 ↖<br>3: 10,2* ←<br>4: 9,9 ↖<br>5: 9,6 ↖<br>6: 10,6* ↗<br>7: 10,9* ↗<br>8: 10,1 ↗<br>9: 8,8 ↖<br>10: 10,3* ↘<br><hr/> Serie 101,1<br>Totalt 101,1 |  |

|                                                                                                                                                                              |                                                                                                                                                                             |  |
|------------------------------------------------------------------------------------------------------------------------------------------------------------------------------|-----------------------------------------------------------------------------------------------------------------------------------------------------------------------------|--|
| 60 shot                                                                                                                                                                      | 60 shot                                                                                                                                                                     |  |
|                                                                                                                                                                              |                                                                                                                                                                             |  |
| 11: 10,4* ↖<br>12: 10,6* ↘<br>13: 10,6* ↖<br>14: 10,6* ↖<br>15: 10,1 ↗<br>16: 9,6 ↗<br>17: 8,7 ↖<br>18: 10,0 ↖<br>19: 9,2 ↘<br>20: 9,3 ↘<br><hr/> Serie 99,1<br>Totalt 200,2 | 21: 10,3* ↖<br>22: 9,1 ↘<br>23: 9,3 ↘<br>24: 9,9 ↖<br>25: 9,8 ↘<br>26: 10,6* →<br>27: 9,6 ↗<br>28: 10,8* ↖<br>29: 10,9* →<br>30: 9,9 ↘<br><hr/> Serie 100,2<br>Totalt 300,4 |  |

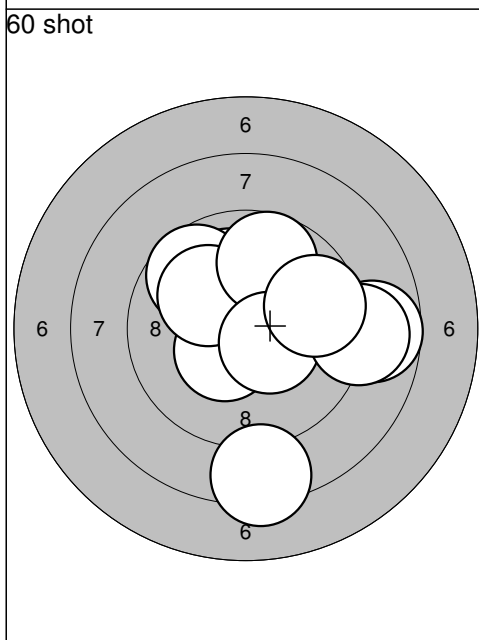
|                                                                                                                                                                          |  |
|--------------------------------------------------------------------------------------------------------------------------------------------------------------------------|--|
| 60 shot                                                                                                                                                                  |  |
|                                                                                                                                                                          |  |
| 31: 10,2* ↗<br>32: 8,7 ↗<br>33: 8,9 ↘<br>34: 10,3* ↘<br>35: 9,7 ↘<br>36: 8,7 ↘<br>37: 9,6 ↗<br>38: 10,7* ↗<br>39: 9,2 ↖<br>40: 8,7 ←<br><hr/> Serie 94,7<br>Totalt 395,1 |  |



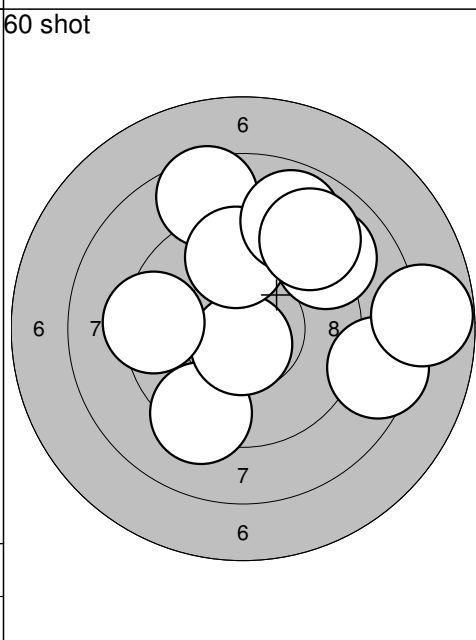
|          |      |
|----------|------|
| 1: 7,8   | ↙    |
| 2: 9,1   | ↖    |
| 3: 8,8   | ↓    |
| 4: 9,3   | ↓    |
| 5: 9,8   | ↙    |
| 6: 9,1   | ↙    |
| 7: 9,5   | ←    |
| 8: 10,3* | →    |
| 9: 10,2* | ↗    |
| 10: 7,7  | ↑    |
| <hr/>    |      |
| Serie    | 91,6 |
| Totalt   | 0,0  |



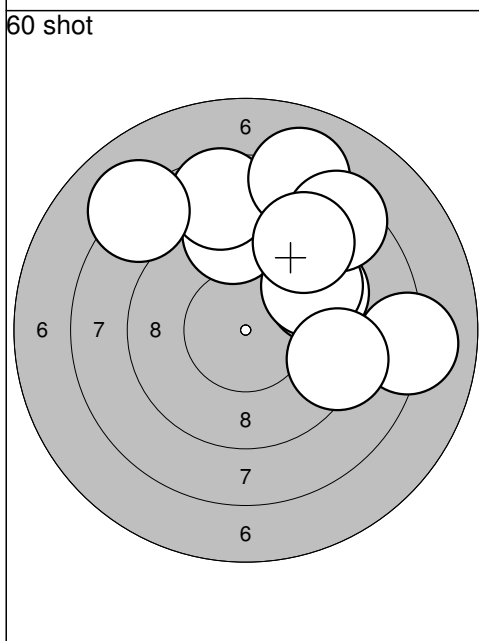
|           |      |
|-----------|------|
| 11: 9,5   | ↑    |
| 12: 10,4* | ↖    |
| 13: 10,0  | ↑    |
| 14: 9,7   | →    |
| 15: 10,6* | ↙    |
| 16: 10,7* | ↗    |
| 17: 9,3   | ↗    |
| 18: 9,8   | ↙    |
| 19: 10,2* | ↘    |
| 20: 9,6   | ↖    |
| <hr/>     |      |
| Serie     | 99,8 |
| Totalt    | 0,0  |



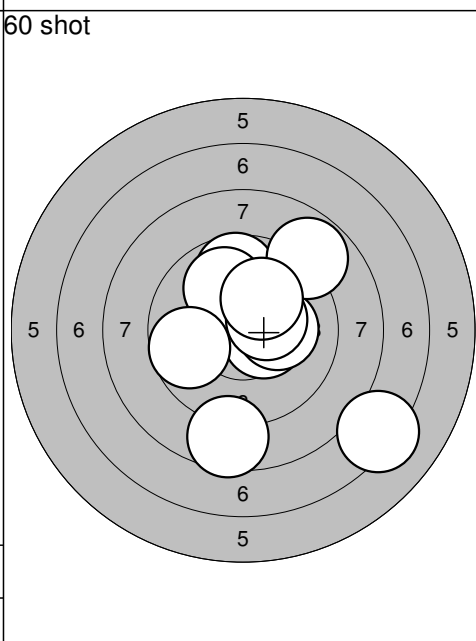
|          |      |
|----------|------|
| 1: 10,0  | ↑    |
| 2: 10,4* | ↙    |
| 3: 9,7   | ↗    |
| 4: 10,1  | ↗    |
| 5: 9,7   | ↑    |
| 6: 8,3   | ↓    |
| 7: 8,7   | →    |
| 8: 10,4* | ↘    |
| 9: 8,9   | →    |
| 10: 9,7  | →    |
| <hr/>    |      |
| Serie    | 95,9 |
| Totalt   | 95,9 |



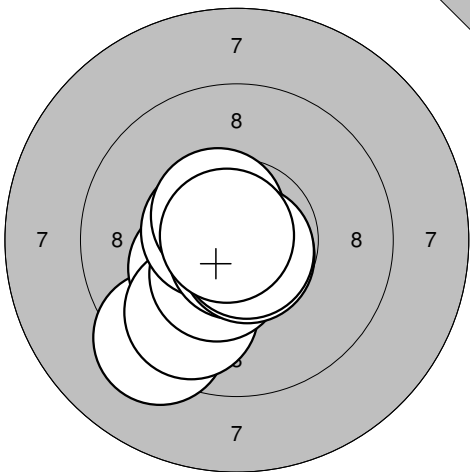
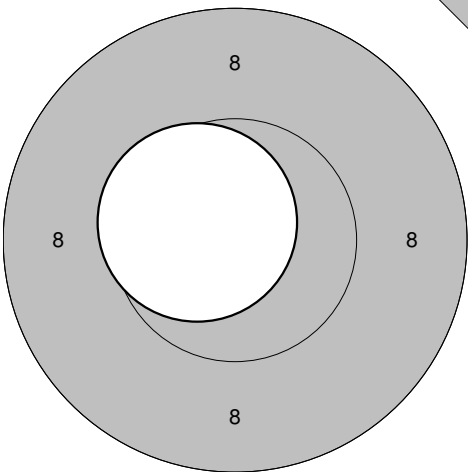
|           |       |
|-----------|-------|
| 11: 9,3   | ↘     |
| 12: 8,5   | →     |
| 13: 10,7* | ↓     |
| 14: 8,6   | ↑     |
| 15: 9,0   | ↗     |
| 16: 9,7   | ↑     |
| 17: 7,8   | →     |
| 18: 8,9   | ↗     |
| 19: 9,4   | ←     |
| 20: 9,0   | ↗     |
| <hr/>     |       |
| Serie     | 90,9  |
| Totalt    | 186,8 |

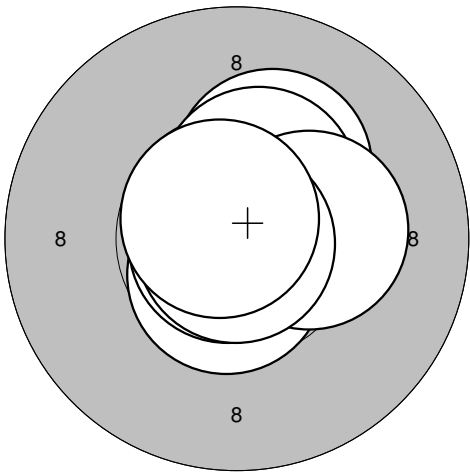
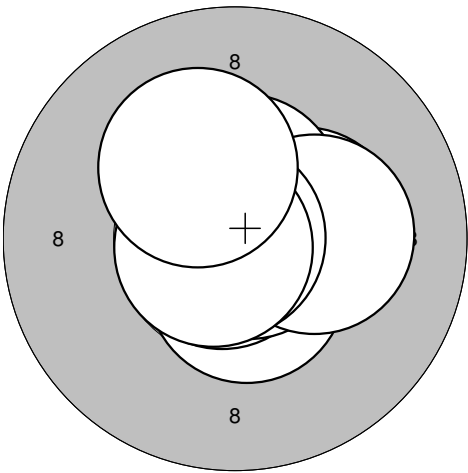


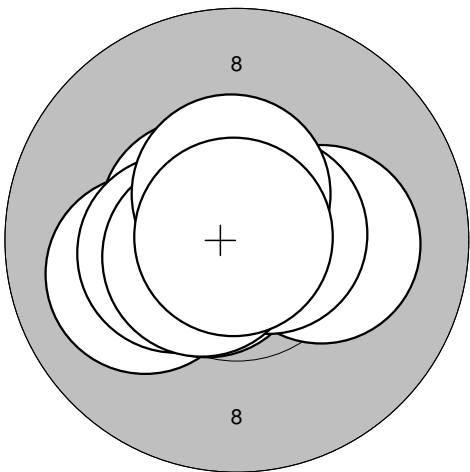
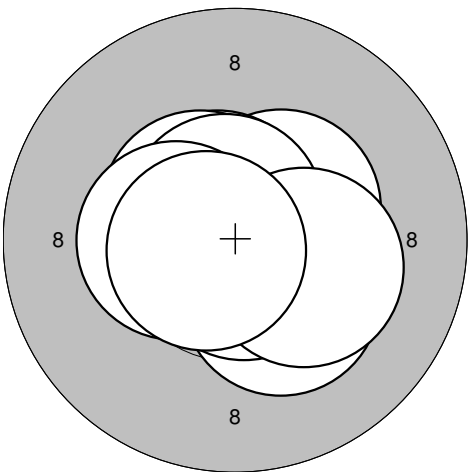
|         |       |
|---------|-------|
| 21: 9,2 | ↑     |
| 22: 8,6 | ↑     |
| 23: 8,1 | ↑     |
| 24: 9,5 | ↗     |
| 25: 8,1 | ↖     |
| 26: 9,5 | ↗     |
| 27: 8,1 | →     |
| 28: 9,2 | →     |
| 29: 8,5 | ↗     |
| 30: 9,1 | ↗     |
| <hr/>   |       |
| Serie   | 87,9  |
| Totalt  | 274,7 |



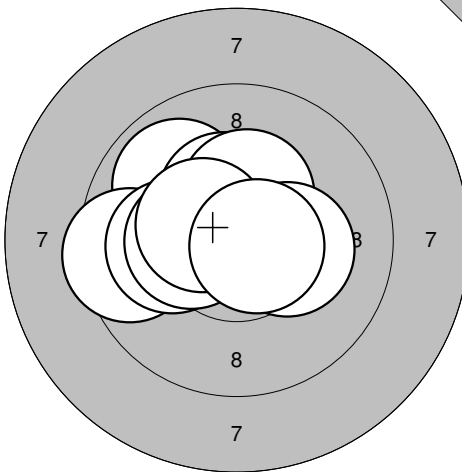
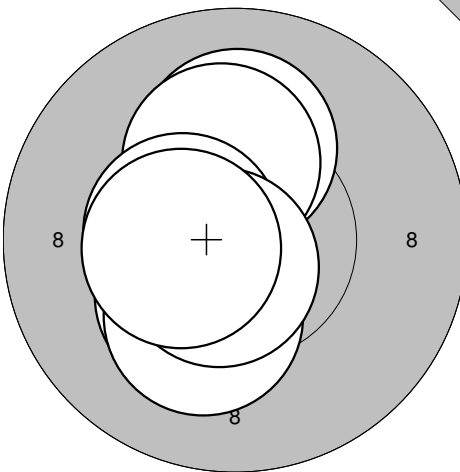
|           |       |
|-----------|-------|
| 31: 9,7   | ↑     |
| 32: 10,5* | →     |
| 33: 10,0  | ↖     |
| 34: 10,2* | →     |
| 35: 8,8   | ↗     |
| 36: 10,4* | →     |
| 37: 7,2   | ↘     |
| 38: 8,6   | ↓     |
| 39: 10,2* | ↗     |
| 40: 9,7   | ←     |
| <hr/>     |       |
| Serie     | 95,3  |
| Totalt    | 370,0 |

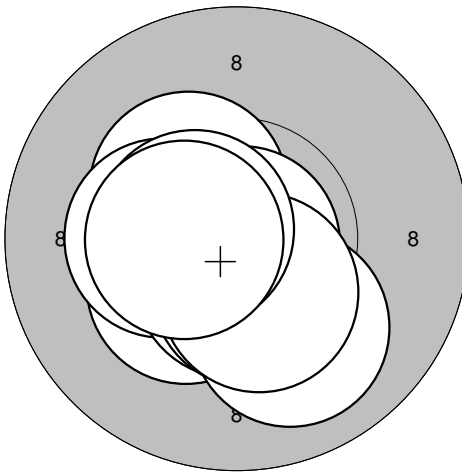
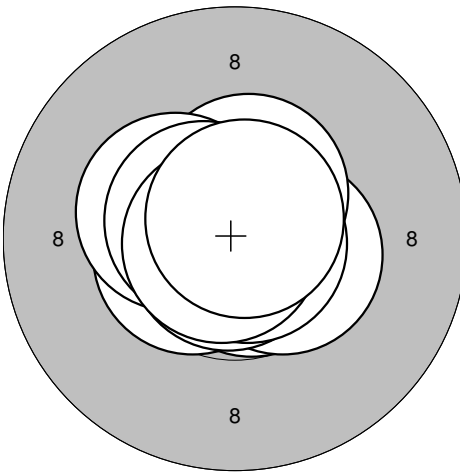
|                                                                                               |                                                                                                                                                                                                                                                                                                                                                                   |       |       |        |     |                                                                                                                                                                                                                                                                                                                                                          |       |      |        |     |
|-----------------------------------------------------------------------------------------------|-------------------------------------------------------------------------------------------------------------------------------------------------------------------------------------------------------------------------------------------------------------------------------------------------------------------------------------------------------------------|-------|-------|--------|-----|----------------------------------------------------------------------------------------------------------------------------------------------------------------------------------------------------------------------------------------------------------------------------------------------------------------------------------------------------------|-------|------|--------|-----|
| <p>Sight</p>  | <p>1: 9,3 ↘<br/>2: 10,3* ↙<br/>3: 9,8 ↘<br/>4: 10,4* ↙<br/>5: 10,6* ←<br/>6: 10,8* ↘<br/>7: 10,7* ↘<br/>8: 10,5* ↗<br/>9: 10,7* ↘<br/>10: 10,8* ↗</p> <table border="1" style="width:100%; border-collapse: collapse;"> <tr><td>Serie</td><td style="text-align: right;">103,9</td></tr> <tr><td>Totalt</td><td style="text-align: right;">0,0</td></tr> </table> | Serie | 103,9 | Totalt | 0,0 | <p>Sight</p>  <p style="text-align: right;">11: 10,6* ↙</p> <table border="1" style="width:100%; border-collapse: collapse;"> <tr><td>Serie</td><td style="text-align: right;">10,6</td></tr> <tr><td>Totalt</td><td style="text-align: right;">0,0</td></tr> </table> | Serie | 10,6 | Totalt | 0,0 |
| Serie                                                                                         | 103,9                                                                                                                                                                                                                                                                                                                                                             |       |       |        |     |                                                                                                                                                                                                                                                                                                                                                          |       |      |        |     |
| Totalt                                                                                        | 0,0                                                                                                                                                                                                                                                                                                                                                               |       |       |        |     |                                                                                                                                                                                                                                                                                                                                                          |       |      |        |     |
| Serie                                                                                         | 10,6                                                                                                                                                                                                                                                                                                                                                              |       |       |        |     |                                                                                                                                                                                                                                                                                                                                                          |       |      |        |     |
| Totalt                                                                                        | 0,0                                                                                                                                                                                                                                                                                                                                                               |       |       |        |     |                                                                                                                                                                                                                                                                                                                                                          |       |      |        |     |

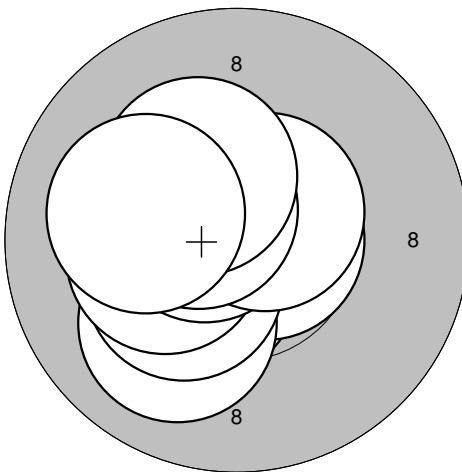
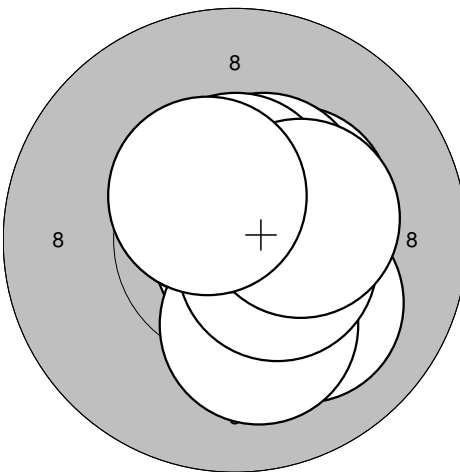
|                                                                                                  |                                                                                                                                                                                                                                                                                                                                                                         |       |       |        |       |                                                                                                                                                                                                                                                                                                                                                                                                                                                                                     |       |       |        |       |
|--------------------------------------------------------------------------------------------------|-------------------------------------------------------------------------------------------------------------------------------------------------------------------------------------------------------------------------------------------------------------------------------------------------------------------------------------------------------------------------|-------|-------|--------|-------|-------------------------------------------------------------------------------------------------------------------------------------------------------------------------------------------------------------------------------------------------------------------------------------------------------------------------------------------------------------------------------------------------------------------------------------------------------------------------------------|-------|-------|--------|-------|
| <p>60 shot</p>  | <p>1: 10,8* →<br/>2: 10,7* ↗<br/>3: 10,6* ↗<br/>4: 10,2* ↗<br/>5: 10,6* ↘<br/>6: 10,9* ↙<br/>7: 10,4* ↗<br/>8: 10,3* →<br/>9: 10,9* ↘<br/>10: 10,7* ↗</p> <table border="1" style="width:100%; border-collapse: collapse;"> <tr><td>Serie</td><td style="text-align: right;">106,1</td></tr> <tr><td>Totalt</td><td style="text-align: right;">106,1</td></tr> </table> | Serie | 106,1 | Totalt | 106,1 | <p>60 shot</p>  <p>11: 10,6* ↑<br/>12: 10,5* ↘<br/>13: 10,3* →<br/>14: 10,8* ↙<br/>15: 10,8* →<br/>16: 10,5* ↑<br/>17: 10,2* →<br/>18: 10,9* ←<br/>19: 10,7* ←<br/>20: 10,2* ↗</p> <table border="1" style="width:100%; border-collapse: collapse;"> <tr><td>Serie</td><td style="text-align: right;">105,5</td></tr> <tr><td>Totalt</td><td style="text-align: right;">211,6</td></tr> </table> | Serie | 105,5 | Totalt | 211,6 |
| Serie                                                                                            | 106,1                                                                                                                                                                                                                                                                                                                                                                   |       |       |        |       |                                                                                                                                                                                                                                                                                                                                                                                                                                                                                     |       |       |        |       |
| Totalt                                                                                           | 106,1                                                                                                                                                                                                                                                                                                                                                                   |       |       |        |       |                                                                                                                                                                                                                                                                                                                                                                                                                                                                                     |       |       |        |       |
| Serie                                                                                            | 105,5                                                                                                                                                                                                                                                                                                                                                                   |       |       |        |       |                                                                                                                                                                                                                                                                                                                                                                                                                                                                                     |       |       |        |       |
| Totalt                                                                                           | 211,6                                                                                                                                                                                                                                                                                                                                                                   |       |       |        |       |                                                                                                                                                                                                                                                                                                                                                                                                                                                                                     |       |       |        |       |

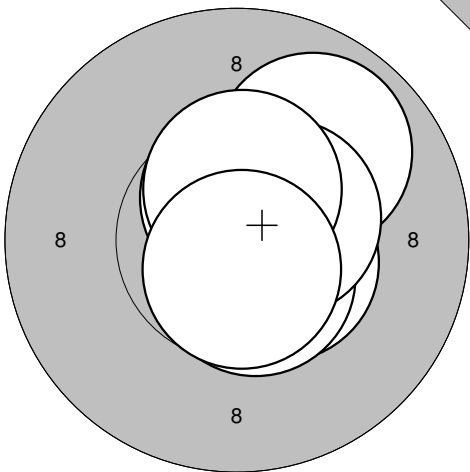
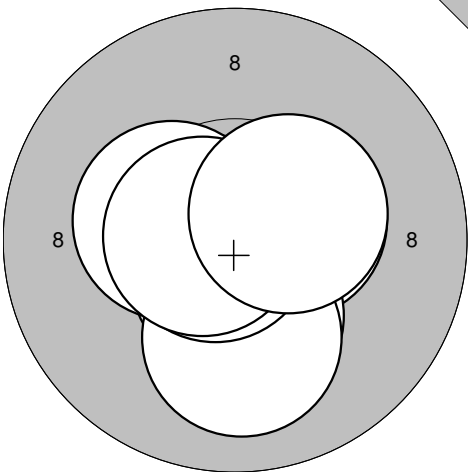
|                                                                                                   |                                                                                                                                                                                                                                                                                                                                                                                 |       |       |        |       |                                                                                                                                                                                                                                                                                                                                                                                                                                                                                      |       |       |        |       |
|---------------------------------------------------------------------------------------------------|---------------------------------------------------------------------------------------------------------------------------------------------------------------------------------------------------------------------------------------------------------------------------------------------------------------------------------------------------------------------------------|-------|-------|--------|-------|--------------------------------------------------------------------------------------------------------------------------------------------------------------------------------------------------------------------------------------------------------------------------------------------------------------------------------------------------------------------------------------------------------------------------------------------------------------------------------------|-------|-------|--------|-------|
| <p>60 shot</p>  | <p>21: 10,2* →<br/>22: 10,7* ←<br/>23: 10,6* ↗<br/>24: 10,1 ←<br/>25: 10,6* ↙<br/>26: 10,4* ←<br/>27: 10,7* →<br/>28: 10,6* ↙<br/>29: 10,5* ↑<br/>30: 10,9* ↗</p> <table border="1" style="width:100%; border-collapse: collapse;"> <tr><td>Serie</td><td style="text-align: right;">105,3</td></tr> <tr><td>Totalt</td><td style="text-align: right;">316,9</td></tr> </table> | Serie | 105,3 | Totalt | 316,9 | <p>60 shot</p>  <p>31: 10,4* ↗<br/>32: 10,6* ↗<br/>33: 10,7* ↗<br/>34: 10,3* ↘<br/>35: 10,7* ↘<br/>36: 10,5* ↗<br/>37: 10,7* ↗<br/>38: 10,4* ←<br/>39: 10,3* ↘<br/>40: 10,7* ←</p> <table border="1" style="width:100%; border-collapse: collapse;"> <tr><td>Serie</td><td style="text-align: right;">105,3</td></tr> <tr><td>Totalt</td><td style="text-align: right;">422,2</td></tr> </table> | Serie | 105,3 | Totalt | 422,2 |
| Serie                                                                                             | 105,3                                                                                                                                                                                                                                                                                                                                                                           |       |       |        |       |                                                                                                                                                                                                                                                                                                                                                                                                                                                                                      |       |       |        |       |
| Totalt                                                                                            | 316,9                                                                                                                                                                                                                                                                                                                                                                           |       |       |        |       |                                                                                                                                                                                                                                                                                                                                                                                                                                                                                      |       |       |        |       |
| Serie                                                                                             | 105,3                                                                                                                                                                                                                                                                                                                                                                           |       |       |        |       |                                                                                                                                                                                                                                                                                                                                                                                                                                                                                      |       |       |        |       |
| Totalt                                                                                            | 422,2                                                                                                                                                                                                                                                                                                                                                                           |       |       |        |       |                                                                                                                                                                                                                                                                                                                                                                                                                                                                                      |       |       |        |       |

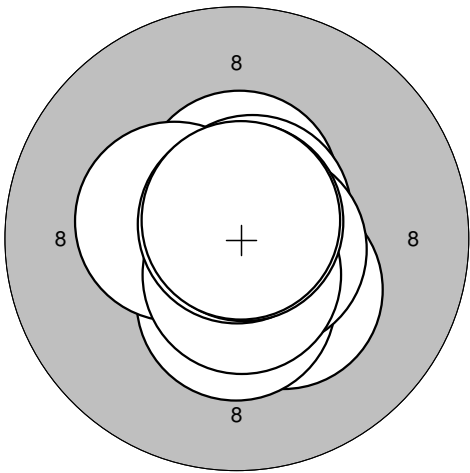
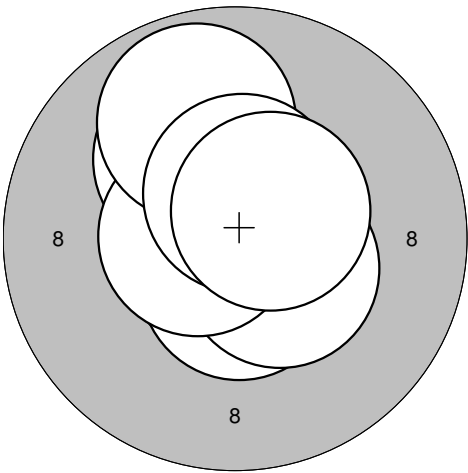


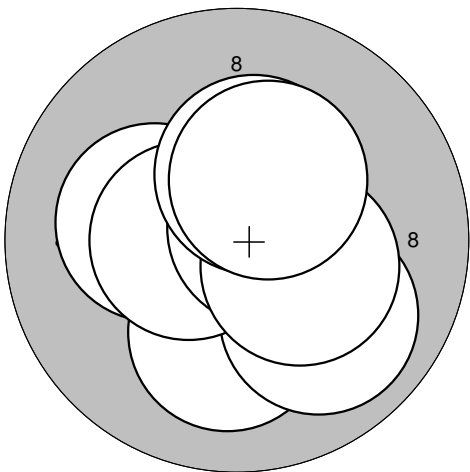
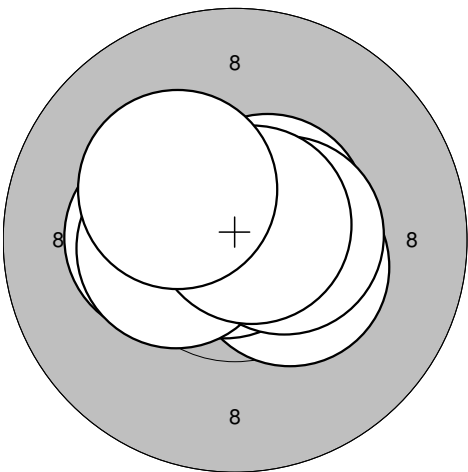
|                                                                                               |                                                                                                 |                                                                                                                                                                                                                            |                                                                                                                                                                               |
|-----------------------------------------------------------------------------------------------|-------------------------------------------------------------------------------------------------|----------------------------------------------------------------------------------------------------------------------------------------------------------------------------------------------------------------------------|-------------------------------------------------------------------------------------------------------------------------------------------------------------------------------|
| <p>Sight</p>  | <p>Sight</p>  | <p>1: 9,9 ↗</p> <p>2: 9,5 ←</p> <p>3: 10,1 ←</p> <p>4: 10,4* ↗</p> <p>5: 10,3* ←</p> <p>6: 10,6* ↗</p> <p>7: 10,4* ↗</p> <p>8: 10,5* ↗</p> <p>9: 10,3* →</p> <p>10: 10,7* →</p> <hr/> <p>Serie 102,7</p> <p>Totalt 0,0</p> | <p>11: 10,1 ↑</p> <p>12: 10,2* ↑</p> <p>13: 10,3* ↘</p> <p>14: 10,5* ←</p> <p>15: 10,2* ↘</p> <p>16: 10,7* ↘</p> <p>17: 10,5* ←</p> <hr/> <p>Serie 72,5</p> <p>Totalt 0,0</p> |
|-----------------------------------------------------------------------------------------------|-------------------------------------------------------------------------------------------------|----------------------------------------------------------------------------------------------------------------------------------------------------------------------------------------------------------------------------|-------------------------------------------------------------------------------------------------------------------------------------------------------------------------------|

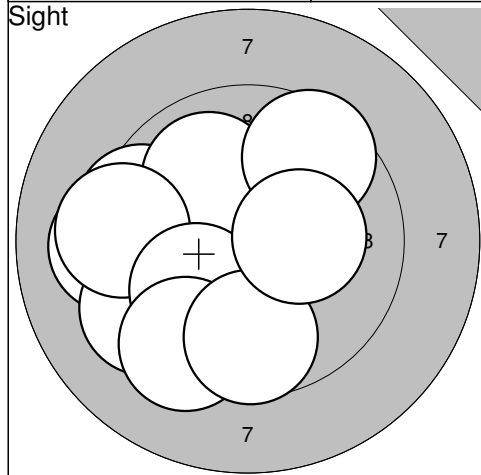
|                                                                                                  |                                                                                                    |                                                                                                                                                                                                                                  |                                                                                                                                                                                                                                            |
|--------------------------------------------------------------------------------------------------|----------------------------------------------------------------------------------------------------|----------------------------------------------------------------------------------------------------------------------------------------------------------------------------------------------------------------------------------|--------------------------------------------------------------------------------------------------------------------------------------------------------------------------------------------------------------------------------------------|
| <p>60 shot</p>  | <p>60 shot</p>  | <p>1: 10,3* ↗</p> <p>2: 10,3* ↘</p> <p>3: 10,3* ←</p> <p>4: 10,6* ↘</p> <p>5: 10,5* ↘</p> <p>6: 10,9* ↘</p> <p>7: 10,0 ↘</p> <p>8: 10,4* ↘</p> <p>9: 10,6* ←</p> <p>10: 10,5* ←</p> <hr/> <p>Serie 104,4</p> <p>Totalt 104,4</p> | <p>11: 10,5* ←</p> <p>12: 10,7* ↘</p> <p>13: 10,5* →</p> <p>14: 10,8* ↘</p> <p>15: 10,8* →</p> <p>16: 10,5* ↑</p> <p>17: 10,4* ←</p> <p>18: 10,6* ↗</p> <p>19: 10,8* ←</p> <p>20: 10,8* ↗</p> <hr/> <p>Serie 106,4</p> <p>Totalt 210,8</p> |
|--------------------------------------------------------------------------------------------------|----------------------------------------------------------------------------------------------------|----------------------------------------------------------------------------------------------------------------------------------------------------------------------------------------------------------------------------------|--------------------------------------------------------------------------------------------------------------------------------------------------------------------------------------------------------------------------------------------|

|                                                                                                   |                                                                                                     |                                                                                                                                                                                                                                          |                                                                                                                                                                                                                                           |
|---------------------------------------------------------------------------------------------------|-----------------------------------------------------------------------------------------------------|------------------------------------------------------------------------------------------------------------------------------------------------------------------------------------------------------------------------------------------|-------------------------------------------------------------------------------------------------------------------------------------------------------------------------------------------------------------------------------------------|
| <p>60 shot</p>  | <p>60 shot</p>  | <p>21: 10,4* ↘</p> <p>22: 10,7* →</p> <p>23: 10,0 ↘</p> <p>24: 10,3* ↘</p> <p>25: 10,3* ←</p> <p>26: 10,6* ↗</p> <p>27: 10,6* ↗</p> <p>28: 10,5* ↗</p> <p>29: 10,3* ↗</p> <p>30: 10,1 ←</p> <hr/> <p>Serie 103,8</p> <p>Totalt 314,6</p> | <p>31: 10,8* ↘</p> <p>32: 10,3* ↗</p> <p>33: 10,1 ↘</p> <p>34: 10,5* ↗</p> <p>35: 10,4* ↗</p> <p>36: 10,2* ↘</p> <p>37: 10,5* ↘</p> <p>38: 10,5* ↑</p> <p>39: 10,3* →</p> <p>40: 10,5* ↗</p> <hr/> <p>Serie 104,1</p> <p>Totalt 418,7</p> |
|---------------------------------------------------------------------------------------------------|-----------------------------------------------------------------------------------------------------|------------------------------------------------------------------------------------------------------------------------------------------------------------------------------------------------------------------------------------------|-------------------------------------------------------------------------------------------------------------------------------------------------------------------------------------------------------------------------------------------|

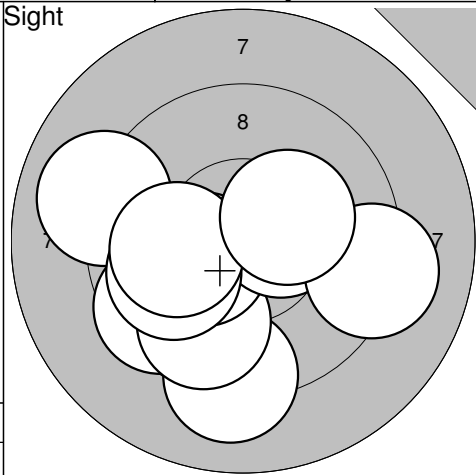
|                                                                                                                                                                                    |                                                                                                                                                                           |  |
|------------------------------------------------------------------------------------------------------------------------------------------------------------------------------------|---------------------------------------------------------------------------------------------------------------------------------------------------------------------------|--|
| <p>Sight</p>                                                                                       | <p>Sight</p>                                                                            |  |
| <p>1: 10,8* ↗</p> <p>2: 9,9 ↗</p> <p>3: 10,7* ↗</p> <p>4: 10,5* ➤</p> <p>5: 10,6* ↘</p> <p>6: 10,7* ↗</p> <p>7: 10,6* ↑</p> <p>8: 10,5* ➤</p> <p>9: 10,5* ↑</p> <p>10: 10,7* ↘</p> | <p>11: 10,4* ➤</p> <p>12: 10,8* ↖</p> <p>13: 10,6* ↓</p> <p>14: 10,3* ↓</p> <p>15: 10,1 ↓</p> <p>16: 10,8* ↖</p> <p>17: 10,4* ↖</p> <p>18: 10,7* ↖</p> <p>19: 10,4* ➤</p> |  |
| Serie 105,5                                                                                                                                                                        | Serie 94,5                                                                                                                                                                |  |
| Totalt 0,0                                                                                                                                                                         | Totalt 0,0                                                                                                                                                                |  |

|                                                                                                                                                                                      |                                                                                                                                                                                            |  |
|--------------------------------------------------------------------------------------------------------------------------------------------------------------------------------------|--------------------------------------------------------------------------------------------------------------------------------------------------------------------------------------------|--|
| <p>60 shot</p>                                                                                      | <p>60 shot</p>                                                                                          |  |
| <p>1: 10,5* ↑</p> <p>2: 10,3* ↘</p> <p>3: 10,4* ↓</p> <p>4: 10,7* ↗</p> <p>5: 10,4* ↖</p> <p>6: 10,7* ➤</p> <p>7: 10,6* ↓</p> <p>8: 10,8* ↑</p> <p>9: 10,8* ↗</p> <p>10: 10,8* ↑</p> | <p>11: 10,6* ➤</p> <p>12: 10,7* ↓</p> <p>13: 10,6* ↓</p> <p>14: 10,1 ↗</p> <p>15: 10,6* ↓</p> <p>16: 10,5* ↘</p> <p>17: 10,6* ↖</p> <p>18: 9,9 ↑</p> <p>19: 10,5* ↑</p> <p>20: 10,5* ↗</p> |  |
| Serie 106,0                                                                                                                                                                          | Serie 104,6                                                                                                                                                                                |  |
| Totalt 106,0                                                                                                                                                                         | Totalt 210,6                                                                                                                                                                               |  |

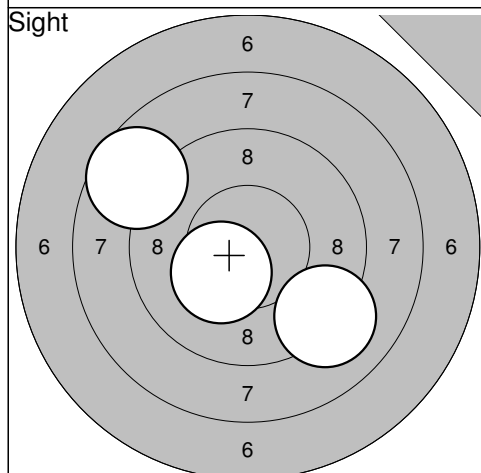
|                                                                                                                                                                                            |                                                                                                                                                                                               |  |
|--------------------------------------------------------------------------------------------------------------------------------------------------------------------------------------------|-----------------------------------------------------------------------------------------------------------------------------------------------------------------------------------------------|--|
| <p>60 shot</p>                                                                                           | <p>60 shot</p>                                                                                            |  |
| <p>21: 10,1 ↓</p> <p>22: 10,2* ↖</p> <p>23: 9,9 ↘</p> <p>24: 10,8* ↗</p> <p>25: 10,7* ➤</p> <p>26: 10,5* ↖</p> <p>27: 10,7* ➤</p> <p>28: 10,3* ➤</p> <p>29: 10,3* ↑</p> <p>30: 10,3* ↗</p> | <p>31: 10,3* ↖</p> <p>32: 10,7* ↗</p> <p>33: 10,9* ↗</p> <p>34: 10,4* ➤</p> <p>35: 10,9* ↖</p> <p>36: 10,4* ↖</p> <p>37: 10,6* ↗</p> <p>38: 10,5* ➤</p> <p>39: 10,7* ↗</p> <p>40: 10,3* ↖</p> |  |
| Serie 103,8                                                                                                                                                                                | Serie 105,7                                                                                                                                                                                   |  |
| Totalt 314,4                                                                                                                                                                               | Totalt 420,1                                                                                                                                                                                  |  |



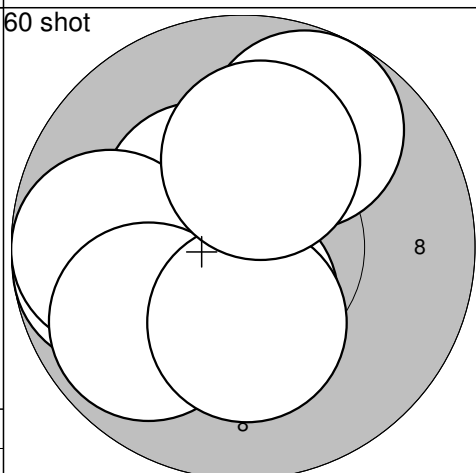
|                   |   |
|-------------------|---|
| 1: 9,2            | ← |
| 2: 9,3            | ↙ |
| 3: 9,5            | ↖ |
| 4: 10,0           | ↗ |
| 5: 9,3            | ← |
| 6: 10,0           | ↙ |
| 7: 9,3            | ↘ |
| 8: 9,6            | ↗ |
| 9: 9,7            | ↓ |
| 10: 10,3*         | → |
| <b>Serie 96,2</b> |   |
| <b>Totalt 0,0</b> |   |



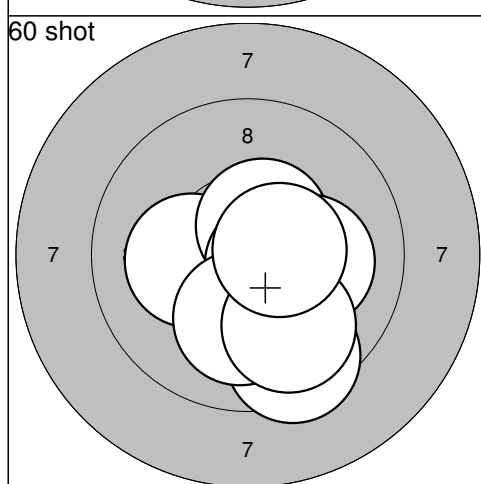
|                   |   |
|-------------------|---|
| 11: 9,1           | ↓ |
| 12: 9,5           | ↙ |
| 13: 9,8           | ↘ |
| 14: 10,4*         | ← |
| 15: 10,4*         | → |
| 16: 9,2           | → |
| 17: 9,0           | ← |
| 18: 9,9           | ← |
| 19: 10,1          | ← |
| 20: 10,3*         | ↗ |
| <b>Serie 97,7</b> |   |
| <b>Totalt 0,0</b> |   |



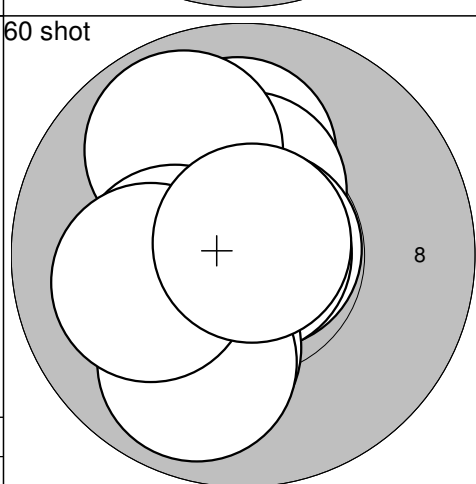
|                   |   |
|-------------------|---|
| 21: 8,7           | ↖ |
| 22: 9,1           | ↘ |
| 23: 10,3*         | ↙ |
| <b>Serie 28,1</b> |   |
| <b>Totalt 0,0</b> |   |



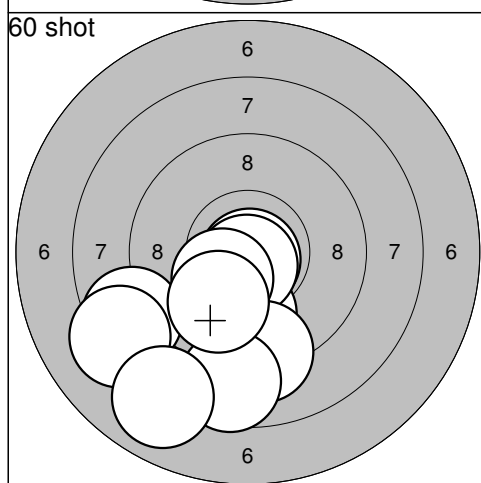
|                     |   |
|---------------------|---|
| 1: 10,4*            | ↖ |
| 2: 10,5*            | ↓ |
| 3: 9,8              | ↗ |
| 4: 10,3*            | ↙ |
| 5: 10,4*            | ← |
| 6: 9,8              | ← |
| 7: 9,8              | ← |
| 8: 9,9              | ↙ |
| 9: 10,3*            | ↓ |
| 10: 10,2*           | ↑ |
| <b>Serie 101,4</b>  |   |
| <b>Totalt 101,4</b> |   |



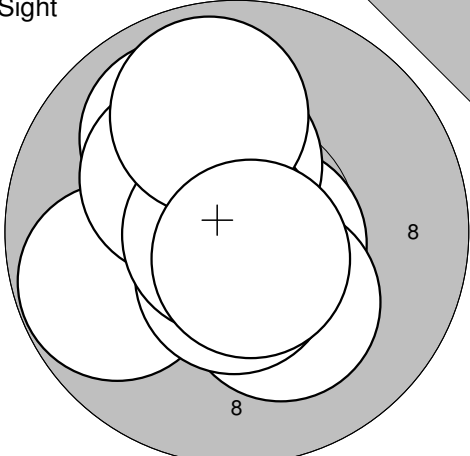
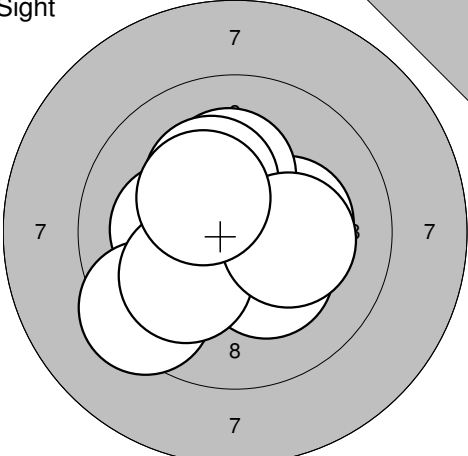
|                     |   |
|---------------------|---|
| 11: 10,3*           | ↓ |
| 12: 10,2*           | ↓ |
| 13: 10,2*           | ← |
| 14: 9,5             | ↘ |
| 15: 10,5*           | ↗ |
| 16: 10,6*           | ↘ |
| 17: 10,1            | → |
| 18: 10,1            | ↓ |
| 19: 9,9             | ↓ |
| 20: 10,5*           | → |
| <b>Serie 101,9</b>  |   |
| <b>Totalt 203,3</b> |   |

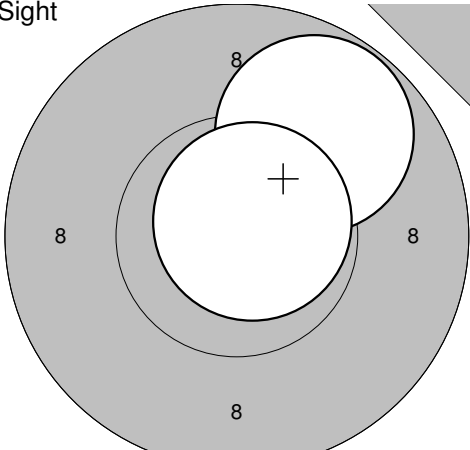
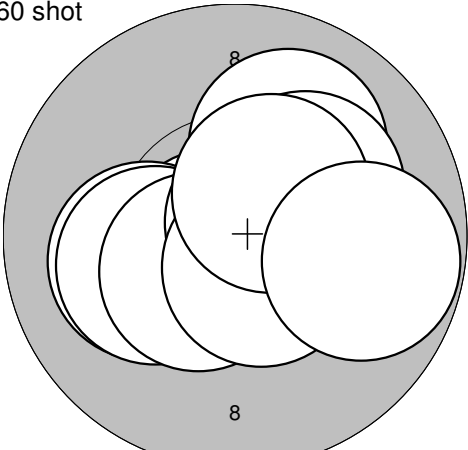


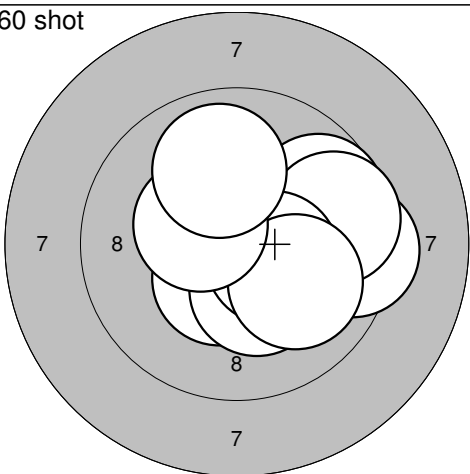
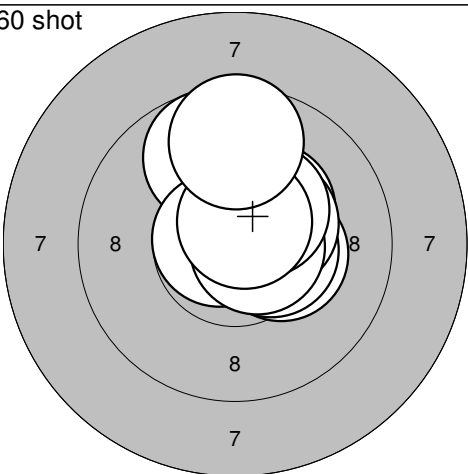
|                     |   |
|---------------------|---|
| 21: 10,1            | ↑ |
| 22: 10,4*           | ↑ |
| 23: 10,8*           | → |
| 24: 9,9             | ↖ |
| 25: 10,9*           | → |
| 26: 10,0            | ↓ |
| 27: 10,3*           | ← |
| 28: 9,9             | ↓ |
| 29: 10,1            | ← |
| 30: 10,8*           | ↗ |
| <b>Serie 103,2</b>  |   |
| <b>Totalt 306,5</b> |   |

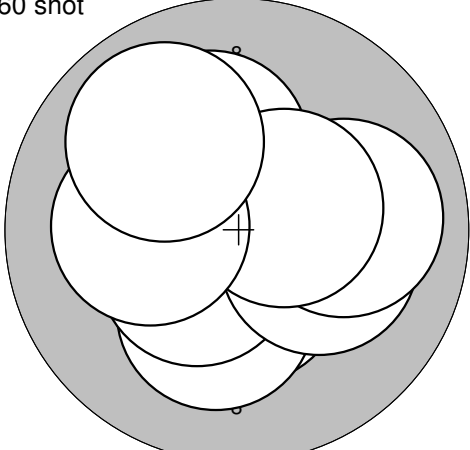


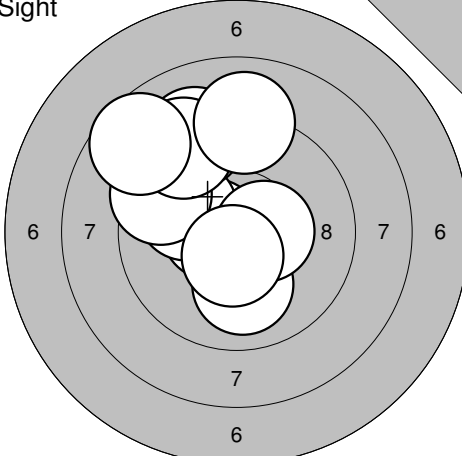
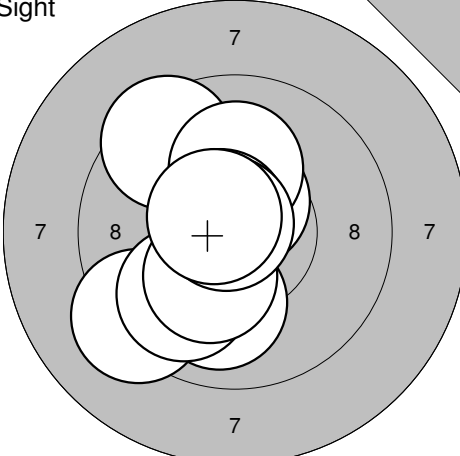
|                     |   |
|---------------------|---|
| 31: 8,6             | ↖ |
| 32: 10,8*           | ↓ |
| 33: 9,9             | ↓ |
| 34: 10,7*           | ↓ |
| 35: 8,2             | ↖ |
| 36: 9,2             | ↓ |
| 37: 8,6             | ↓ |
| 38: 10,3*           | ↙ |
| 39: 8,0             | ↘ |
| 40: 9,9             | ↘ |
| <b>Serie 94,2</b>   |   |
| <b>Totalt 400,7</b> |   |

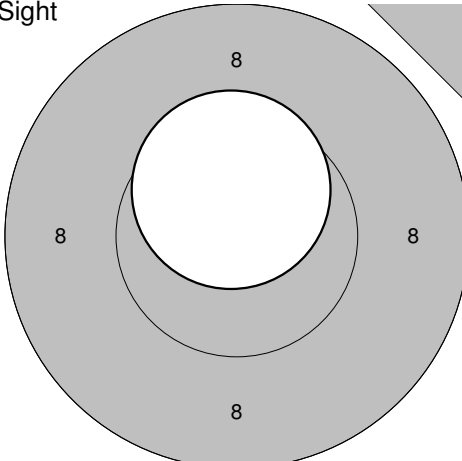
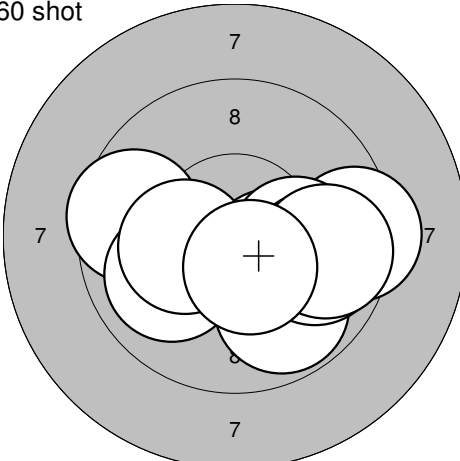
|                                                                                               |                                                                                                                                                                                                                                                                                                                                                 |                                                                                                 |                                                                                                                                                                                                                                                                                                                                                            |
|-----------------------------------------------------------------------------------------------|-------------------------------------------------------------------------------------------------------------------------------------------------------------------------------------------------------------------------------------------------------------------------------------------------------------------------------------------------|-------------------------------------------------------------------------------------------------|------------------------------------------------------------------------------------------------------------------------------------------------------------------------------------------------------------------------------------------------------------------------------------------------------------------------------------------------------------|
| <p>Sight</p>  | <p>1: 10,6* →<br/>                 2: 10,3* ↑<br/>                 3: 10,0 ↗<br/>                 4: 9,8 ←<br/>                 5: 10,2* ↗<br/>                 6: 10,2* ↓<br/>                 7: 10,6* ↓<br/>                 8: 10,8* ←<br/>                 9: 9,9 ↑<br/>                 10: 10,7* ↓</p> <p>Serie 103,1<br/>Totalt 0,0</p> | <p>Sight</p>  | <p>11: 10,3* ↙<br/>                 12: 10,3* ↘<br/>                 13: 10,3* →<br/>                 14: 10,2* ↑<br/>                 15: 10,2* ←<br/>                 16: 10,2* ↗<br/>                 17: 9,4 ↙<br/>                 18: 10,1 ↙<br/>                 19: 10,2* →<br/>                 20: 10,3* ↖</p> <p>Serie 101,5<br/>Totalt 0,0</p> |
|-----------------------------------------------------------------------------------------------|-------------------------------------------------------------------------------------------------------------------------------------------------------------------------------------------------------------------------------------------------------------------------------------------------------------------------------------------------|-------------------------------------------------------------------------------------------------|------------------------------------------------------------------------------------------------------------------------------------------------------------------------------------------------------------------------------------------------------------------------------------------------------------------------------------------------------------|

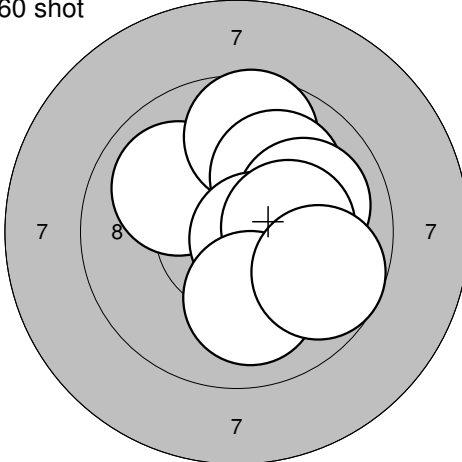
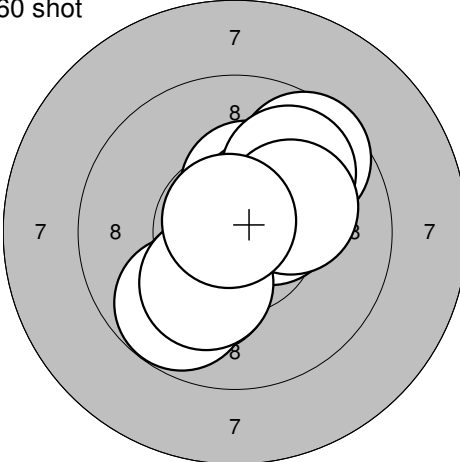
|                                                                                                |                                                                                    |                                                                                                    |                                                                                                                                                                                                                                                                                                                                                    |
|------------------------------------------------------------------------------------------------|------------------------------------------------------------------------------------|----------------------------------------------------------------------------------------------------|----------------------------------------------------------------------------------------------------------------------------------------------------------------------------------------------------------------------------------------------------------------------------------------------------------------------------------------------------|
| <p>Sight</p>  | <p>21: 9,8 ↗<br/>                 22: 10,8* ↗</p> <p>Serie 20,6<br/>Totalt 0,0</p> | <p>60 shot</p>  | <p>1: 10,7* ↙<br/>                 2: 10,0 ↗<br/>                 3: 10,1 ←<br/>                 4: 10,2* ←<br/>                 5: 10,5* ↙<br/>                 6: 10,2* ↗<br/>                 7: 10,7* →<br/>                 8: 10,6* ↓<br/>                 9: 10,4* ↗<br/>                 10: 9,8 →</p> <p>Serie 103,2<br/>Totalt 103,2</p> |
|------------------------------------------------------------------------------------------------|------------------------------------------------------------------------------------|----------------------------------------------------------------------------------------------------|----------------------------------------------------------------------------------------------------------------------------------------------------------------------------------------------------------------------------------------------------------------------------------------------------------------------------------------------------|

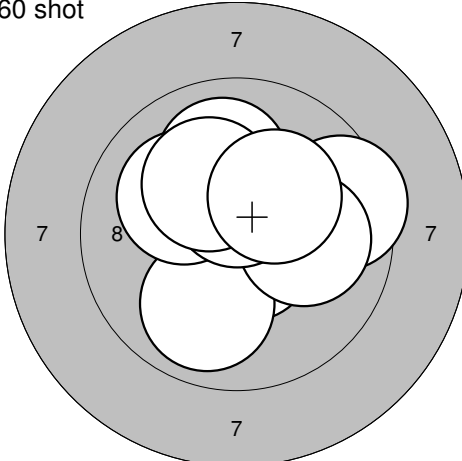
|                                                                                                   |                                                                                                                                                                                                                                                                                                                                                        |                                                                                                     |                                                                                                                                                                                                                                                                                                                                                             |
|---------------------------------------------------------------------------------------------------|--------------------------------------------------------------------------------------------------------------------------------------------------------------------------------------------------------------------------------------------------------------------------------------------------------------------------------------------------------|-----------------------------------------------------------------------------------------------------|-------------------------------------------------------------------------------------------------------------------------------------------------------------------------------------------------------------------------------------------------------------------------------------------------------------------------------------------------------------|
| <p>60 shot</p>  | <p>11: 9,4 →<br/>                 12: 10,4* ↓<br/>                 13: 10,3* ↓<br/>                 14: 9,7 →<br/>                 15: 10,3* ↓<br/>                 16: 9,6 →<br/>                 17: 10,4* →<br/>                 18: 10,0 ↓<br/>                 19: 10,4* ↗<br/>                 20: 9,9 ↑</p> <p>Serie 100,4<br/>Totalt 203,6</p> | <p>60 shot</p>  | <p>21: 10,3* →<br/>                 22: 9,8 ↑<br/>                 23: 10,5* →<br/>                 24: 10,3* ↗<br/>                 25: 10,7* ←<br/>                 26: 10,4* ↗<br/>                 27: 10,6* →<br/>                 28: 10,4* ↗<br/>                 29: 10,6* ↗<br/>                 30: 9,6 ↑</p> <p>Serie 103,2<br/>Totalt 306,8</p> |
|---------------------------------------------------------------------------------------------------|--------------------------------------------------------------------------------------------------------------------------------------------------------------------------------------------------------------------------------------------------------------------------------------------------------------------------------------------------------|-----------------------------------------------------------------------------------------------------|-------------------------------------------------------------------------------------------------------------------------------------------------------------------------------------------------------------------------------------------------------------------------------------------------------------------------------------------------------------|

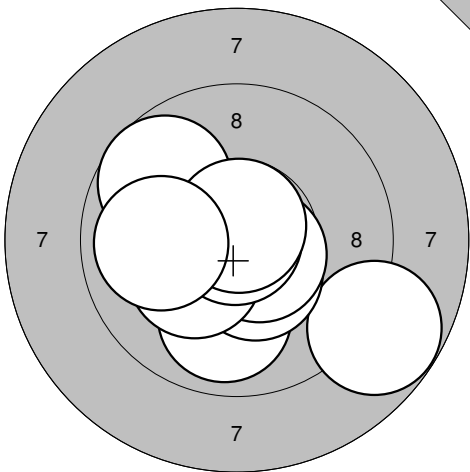
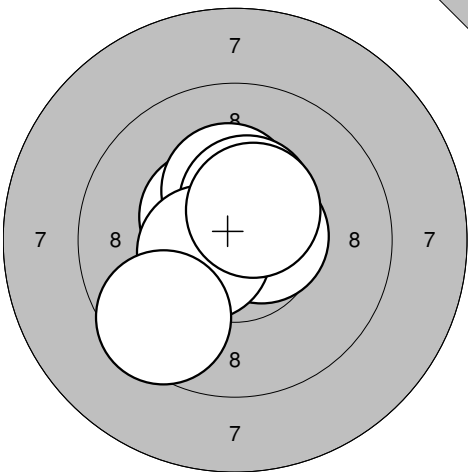
|                                                                                                   |                                                                                                                                                                                                                                                                                                                                                              |  |  |
|---------------------------------------------------------------------------------------------------|--------------------------------------------------------------------------------------------------------------------------------------------------------------------------------------------------------------------------------------------------------------------------------------------------------------------------------------------------------------|--|--|
| <p>60 shot</p>  | <p>31: 10,5* ↓<br/>                 32: 10,2* ↗<br/>                 33: 10,2* ↓<br/>                 34: 10,8* →<br/>                 35: 10,5* ↙<br/>                 36: 10,2* →<br/>                 37: 10,0 →<br/>                 38: 10,5* →<br/>                 39: 10,2* ←<br/>                 40: 9,9 ↗</p> <p>Serie 103,0<br/>Totalt 409,8</p> |  |  |
|---------------------------------------------------------------------------------------------------|--------------------------------------------------------------------------------------------------------------------------------------------------------------------------------------------------------------------------------------------------------------------------------------------------------------------------------------------------------------|--|--|

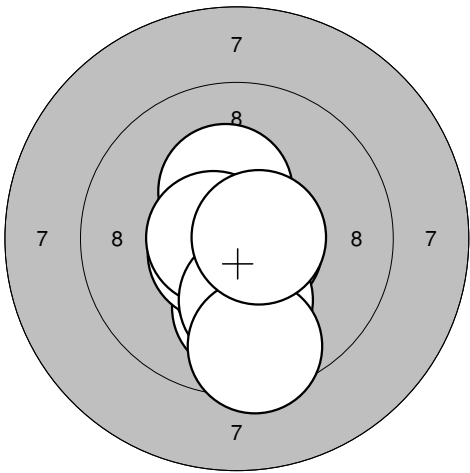
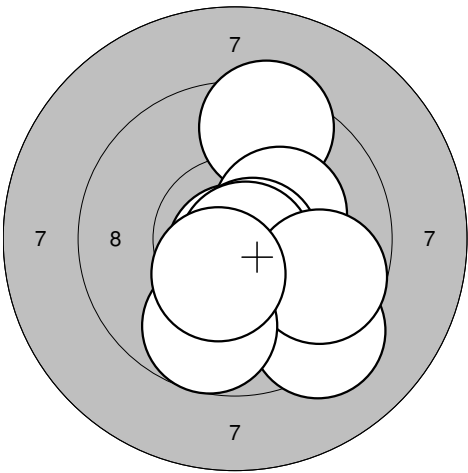
|                                                                                               |                                                                                                                                                                                                                                                                                                                                         |                                                                                                 |                                                                                                                                                                                                                                                                                                                                                       |
|-----------------------------------------------------------------------------------------------|-----------------------------------------------------------------------------------------------------------------------------------------------------------------------------------------------------------------------------------------------------------------------------------------------------------------------------------------|-------------------------------------------------------------------------------------------------|-------------------------------------------------------------------------------------------------------------------------------------------------------------------------------------------------------------------------------------------------------------------------------------------------------------------------------------------------------|
| <p>Sight</p>  | <p>1: 10,0 ↓<br/>                 2: 10,5* ←<br/>                 3: 10,0 ↖<br/>                 4: 9,1 ↗<br/>                 5: 9,5 ↗<br/>                 6: 9,2 ↗<br/>                 7: 9,0 ↑<br/>                 8: 8,7 ↗<br/>                 9: 10,5* →<br/>                 10: 10,5* ↓</p> <p>Serie 97,0<br/>Totalt 0,0</p> | <p>Sight</p>  | <p>11: 10,0 ↓<br/>                 12: 10,5* ↑<br/>                 13: 9,2 ↙<br/>                 14: 9,9 ↙<br/>                 15: 10,3* ↙<br/>                 16: 9,5 ↗<br/>                 17: 10,1 ↑<br/>                 18: 10,7* ↗<br/>                 19: 10,8* ↗<br/>                 20: 10,6* ↗</p> <p>Serie 101,6<br/>Totalt 0,0</p> |
|-----------------------------------------------------------------------------------------------|-----------------------------------------------------------------------------------------------------------------------------------------------------------------------------------------------------------------------------------------------------------------------------------------------------------------------------------------|-------------------------------------------------------------------------------------------------|-------------------------------------------------------------------------------------------------------------------------------------------------------------------------------------------------------------------------------------------------------------------------------------------------------------------------------------------------------|

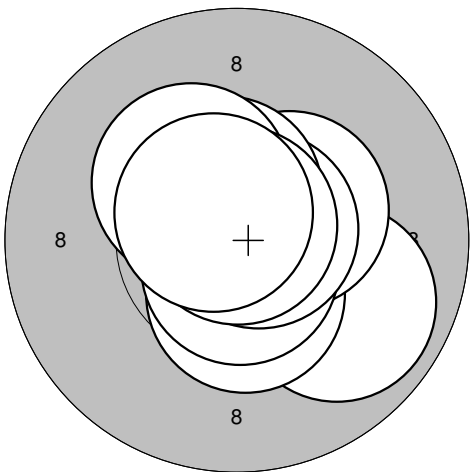
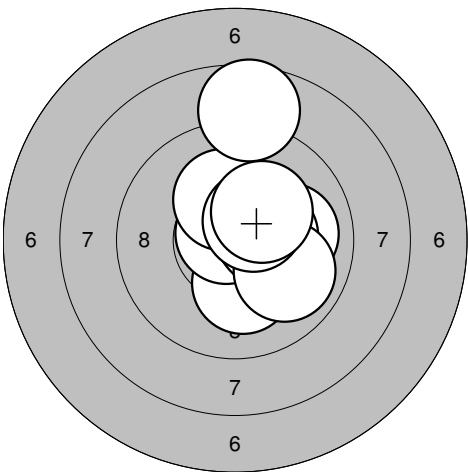
|                                                                                                |                                                     |                                                                                                    |                                                                                                                                                                                                                                                                                                                                          |
|------------------------------------------------------------------------------------------------|-----------------------------------------------------|----------------------------------------------------------------------------------------------------|------------------------------------------------------------------------------------------------------------------------------------------------------------------------------------------------------------------------------------------------------------------------------------------------------------------------------------------|
| <p>Sight</p>  | <p>21: 10,5* ↑</p> <p>Serie 10,5<br/>Totalt 0,0</p> | <p>60 shot</p>  | <p>1: 9,6 ←<br/>                 2: 9,3 →<br/>                 3: 10,4* ↘<br/>                 4: 9,8 ↘<br/>                 5: 10,0 ←<br/>                 6: 10,1 →<br/>                 7: 9,8 →<br/>                 8: 9,7 →<br/>                 9: 10,3* ←<br/>                 10: 10,5* ↓</p> <p>Serie 99,5<br/>Totalt 99,5</p> |
|------------------------------------------------------------------------------------------------|-----------------------------------------------------|----------------------------------------------------------------------------------------------------|------------------------------------------------------------------------------------------------------------------------------------------------------------------------------------------------------------------------------------------------------------------------------------------------------------------------------------------|

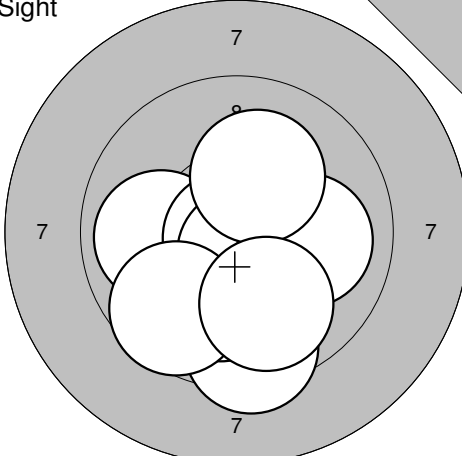
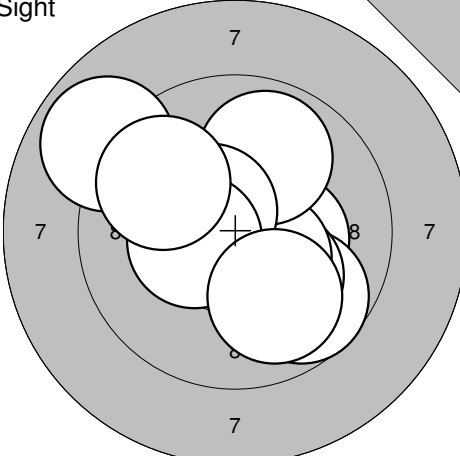
|                                                                                                   |                                                                                                                                                                                                                                                                                                                                                         |                                                                                                     |                                                                                                                                                                                                                                                                                                                                                         |
|---------------------------------------------------------------------------------------------------|---------------------------------------------------------------------------------------------------------------------------------------------------------------------------------------------------------------------------------------------------------------------------------------------------------------------------------------------------------|-----------------------------------------------------------------------------------------------------|---------------------------------------------------------------------------------------------------------------------------------------------------------------------------------------------------------------------------------------------------------------------------------------------------------------------------------------------------------|
| <p>60 shot</p>  | <p>11: 10,0 ↗<br/>                 12: 9,7 ↑<br/>                 13: 10,2* →<br/>                 14: 10,0 ↗<br/>                 15: 10,0 →<br/>                 16: 10,5* ↘<br/>                 17: 10,7* ↘<br/>                 18: 10,3* →<br/>                 19: 10,0 ↓<br/>                 20: 9,7 ↘</p> <p>Serie 101,1<br/>Totalt 200,6</p> | <p>60 shot</p>  | <p>21: 10,3* ↑<br/>                 22: 10,4* →<br/>                 23: 10,1 ↘<br/>                 24: 10,4* ↗<br/>                 25: 9,6 ↗<br/>                 26: 9,8 ↘<br/>                 27: 9,9 ↗<br/>                 28: 10,2* ↘<br/>                 29: 10,1 →<br/>                 30: 10,8* ↗</p> <p>Serie 101,6<br/>Totalt 302,2</p> |
|---------------------------------------------------------------------------------------------------|---------------------------------------------------------------------------------------------------------------------------------------------------------------------------------------------------------------------------------------------------------------------------------------------------------------------------------------------------------|-----------------------------------------------------------------------------------------------------|---------------------------------------------------------------------------------------------------------------------------------------------------------------------------------------------------------------------------------------------------------------------------------------------------------------------------------------------------------|

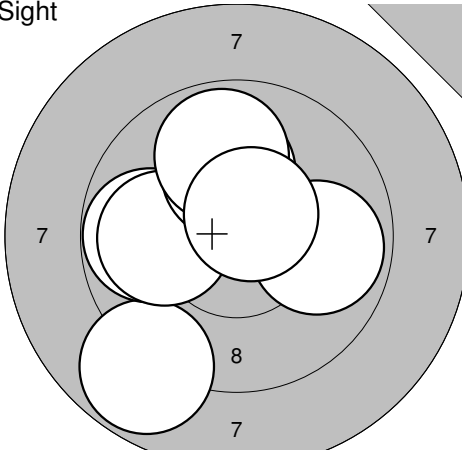
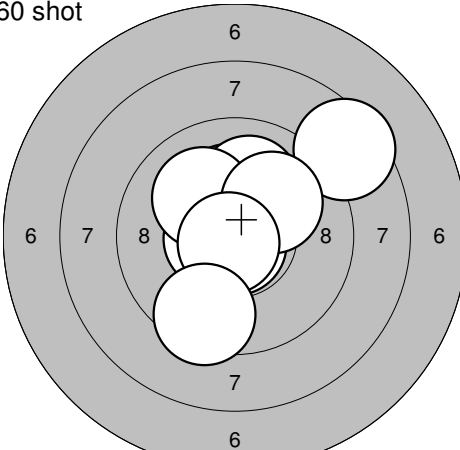
|                                                                                                   |                                                                                                                                                                                                                                                                                                                                                          |  |  |
|---------------------------------------------------------------------------------------------------|----------------------------------------------------------------------------------------------------------------------------------------------------------------------------------------------------------------------------------------------------------------------------------------------------------------------------------------------------------|--|--|
| <p>60 shot</p>  | <p>31: 10,2* →<br/>                 32: 10,0 ↑<br/>                 33: 10,6* ↘<br/>                 34: 9,9 ↘<br/>                 35: 10,1 ↗<br/>                 36: 9,5 →<br/>                 37: 10,0 →<br/>                 38: 10,5* ↑<br/>                 39: 10,2* ↗<br/>                 40: 10,2* ↗</p> <p>Serie 101,2<br/>Totalt 403,4</p> |  |  |
|---------------------------------------------------------------------------------------------------|----------------------------------------------------------------------------------------------------------------------------------------------------------------------------------------------------------------------------------------------------------------------------------------------------------------------------------------------------------|--|--|

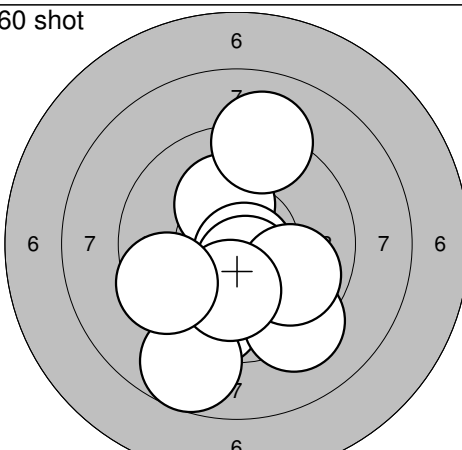
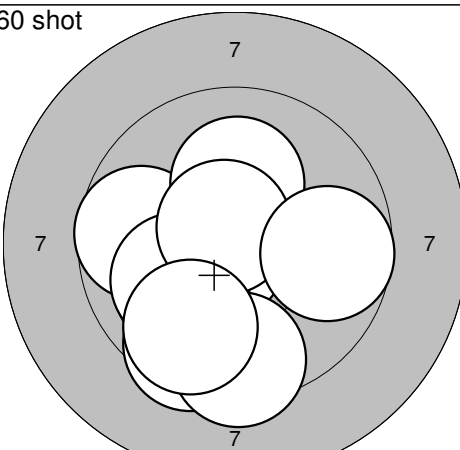
|                                                                                               |                                                                                                                                                                                                                                                                                                                                                                                                                                                                  |       |       |        |     |                                                                                                 |                                                                                                                                                                                                                                                                                                                                                                                                                                               |       |      |        |     |
|-----------------------------------------------------------------------------------------------|------------------------------------------------------------------------------------------------------------------------------------------------------------------------------------------------------------------------------------------------------------------------------------------------------------------------------------------------------------------------------------------------------------------------------------------------------------------|-------|-------|--------|-----|-------------------------------------------------------------------------------------------------|-----------------------------------------------------------------------------------------------------------------------------------------------------------------------------------------------------------------------------------------------------------------------------------------------------------------------------------------------------------------------------------------------------------------------------------------------|-------|------|--------|-----|
| <p>Sight</p>  | <p>1: 10,4* ↙<br/>                 2: 8,8 ↘<br/>                 3: 9,9 ↓<br/>                 4: 10,4* ↓<br/>                 5: 10,6* ↓<br/>                 6: 10,3* ↙<br/>                 7: 9,7 ↗<br/>                 8: 10,9* ↗<br/>                 9: 10,8* ↑<br/>                 10: 9,9 ←</p> <table border="1" style="width:100%; border-collapse: collapse;"> <tr><td>Serie</td><td>101,7</td></tr> <tr><td>Totalt</td><td>0,0</td></tr> </table> | Serie | 101,7 | Totalt | 0,0 | <p>Sight</p>  | <p>11: 10,6* ↗<br/>                 12: 10,5* ↗<br/>                 13: 10,3* ↑<br/>                 14: 10,6* →<br/>                 15: 10,4* ↑<br/>                 16: 10,6* →<br/>                 17: 10,5* ←<br/>                 18: 9,5 ↙<br/>                 19: 10,5* ↗</p> <table border="1" style="width:100%; border-collapse: collapse;"> <tr><td>Serie</td><td>93,5</td></tr> <tr><td>Totalt</td><td>0,0</td></tr> </table> | Serie | 93,5 | Totalt | 0,0 |
| Serie                                                                                         | 101,7                                                                                                                                                                                                                                                                                                                                                                                                                                                            |       |       |        |     |                                                                                                 |                                                                                                                                                                                                                                                                                                                                                                                                                                               |       |      |        |     |
| Totalt                                                                                        | 0,0                                                                                                                                                                                                                                                                                                                                                                                                                                                              |       |       |        |     |                                                                                                 |                                                                                                                                                                                                                                                                                                                                                                                                                                               |       |      |        |     |
| Serie                                                                                         | 93,5                                                                                                                                                                                                                                                                                                                                                                                                                                                             |       |       |        |     |                                                                                                 |                                                                                                                                                                                                                                                                                                                                                                                                                                               |       |      |        |     |
| Totalt                                                                                        | 0,0                                                                                                                                                                                                                                                                                                                                                                                                                                                              |       |       |        |     |                                                                                                 |                                                                                                                                                                                                                                                                                                                                                                                                                                               |       |      |        |     |

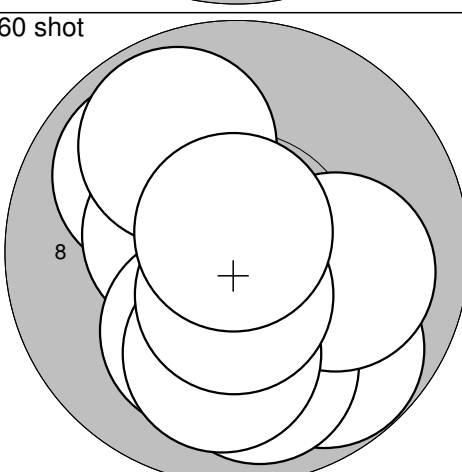
|                                                                                                  |                                                                                                                                                                                                                                                                                                                                                                                                                                                                        |       |       |        |       |                                                                                                    |                                                                                                                                                                                                                                                                                                                                                                                                                                                                             |       |       |        |       |
|--------------------------------------------------------------------------------------------------|------------------------------------------------------------------------------------------------------------------------------------------------------------------------------------------------------------------------------------------------------------------------------------------------------------------------------------------------------------------------------------------------------------------------------------------------------------------------|-------|-------|--------|-------|----------------------------------------------------------------------------------------------------|-----------------------------------------------------------------------------------------------------------------------------------------------------------------------------------------------------------------------------------------------------------------------------------------------------------------------------------------------------------------------------------------------------------------------------------------------------------------------------|-------|-------|--------|-------|
| <p>60 shot</p>  | <p>1: 10,8* ↗<br/>                 2: 10,7* →<br/>                 3: 10,0 ↓<br/>                 4: 10,3* ↓<br/>                 5: 10,6* ↙<br/>                 6: 10,3* ↑<br/>                 7: 10,6* ←<br/>                 8: 10,1 ↓<br/>                 9: 9,5 ↓<br/>                 10: 10,7* →</p> <table border="1" style="width:100%; border-collapse: collapse;"> <tr><td>Serie</td><td>103,6</td></tr> <tr><td>Totalt</td><td>103,6</td></tr> </table> | Serie | 103,6 | Totalt | 103,6 | <p>60 shot</p>  | <p>11: 9,4 ↑<br/>                 12: 10,8* ↓<br/>                 13: 10,4* ↓<br/>                 14: 9,3 ↘<br/>                 15: 10,3* →<br/>                 16: 10,7* →<br/>                 17: 10,7* ↘<br/>                 18: 9,7 →<br/>                 19: 9,7 ↓<br/>                 20: 10,4* ↘</p> <table border="1" style="width:100%; border-collapse: collapse;"> <tr><td>Serie</td><td>101,4</td></tr> <tr><td>Totalt</td><td>205,0</td></tr> </table> | Serie | 101,4 | Totalt | 205,0 |
| Serie                                                                                            | 103,6                                                                                                                                                                                                                                                                                                                                                                                                                                                                  |       |       |        |       |                                                                                                    |                                                                                                                                                                                                                                                                                                                                                                                                                                                                             |       |       |        |       |
| Totalt                                                                                           | 103,6                                                                                                                                                                                                                                                                                                                                                                                                                                                                  |       |       |        |       |                                                                                                    |                                                                                                                                                                                                                                                                                                                                                                                                                                                                             |       |       |        |       |
| Serie                                                                                            | 101,4                                                                                                                                                                                                                                                                                                                                                                                                                                                                  |       |       |        |       |                                                                                                    |                                                                                                                                                                                                                                                                                                                                                                                                                                                                             |       |       |        |       |
| Totalt                                                                                           | 205,0                                                                                                                                                                                                                                                                                                                                                                                                                                                                  |       |       |        |       |                                                                                                    |                                                                                                                                                                                                                                                                                                                                                                                                                                                                             |       |       |        |       |

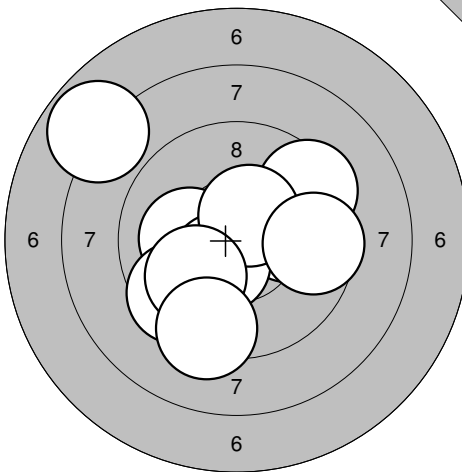
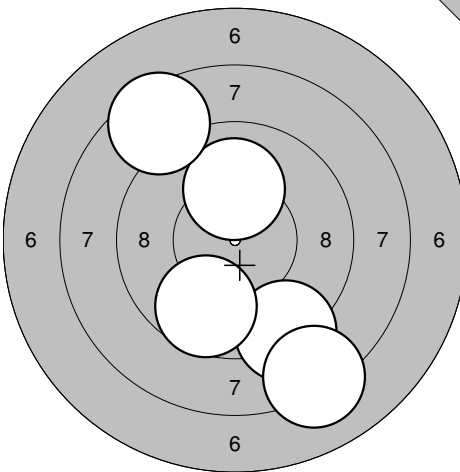
|                                                                                                   |                                                                                                                                                                                                                                                                                                                                                                                                                                                                                   |       |       |        |       |                                                                                                     |                                                                                                                                                                                                                                                                                                                                                                                                                                                                                |       |       |        |       |
|---------------------------------------------------------------------------------------------------|-----------------------------------------------------------------------------------------------------------------------------------------------------------------------------------------------------------------------------------------------------------------------------------------------------------------------------------------------------------------------------------------------------------------------------------------------------------------------------------|-------|-------|--------|-------|-----------------------------------------------------------------------------------------------------|--------------------------------------------------------------------------------------------------------------------------------------------------------------------------------------------------------------------------------------------------------------------------------------------------------------------------------------------------------------------------------------------------------------------------------------------------------------------------------|-------|-------|--------|-------|
| <p>60 shot</p>  | <p>21: 10,6* ↓<br/>                 22: 9,9 ↘<br/>                 23: 10,5* ↓<br/>                 24: 10,4* →<br/>                 25: 10,7* ↓<br/>                 26: 10,7* →<br/>                 27: 10,5* ↑<br/>                 28: 10,3* ↗<br/>                 29: 10,8* ↑<br/>                 30: 10,6* ↗</p> <table border="1" style="width:100%; border-collapse: collapse;"> <tr><td>Serie</td><td>105,0</td></tr> <tr><td>Totalt</td><td>310,0</td></tr> </table> | Serie | 105,0 | Totalt | 310,0 | <p>60 shot</p>  | <p>31: 10,2* ↓<br/>                 32: 10,8* ↗<br/>                 33: 10,4* →<br/>                 34: 10,0 →<br/>                 35: 10,2* ↑<br/>                 36: 8,7 ↑<br/>                 37: 10,4* →<br/>                 38: 9,9 ↘<br/>                 39: 10,5* ↗<br/>                 40: 10,3* ↗</p> <table border="1" style="width:100%; border-collapse: collapse;"> <tr><td>Serie</td><td>101,4</td></tr> <tr><td>Totalt</td><td>411,4</td></tr> </table> | Serie | 101,4 | Totalt | 411,4 |
| Serie                                                                                             | 105,0                                                                                                                                                                                                                                                                                                                                                                                                                                                                             |       |       |        |       |                                                                                                     |                                                                                                                                                                                                                                                                                                                                                                                                                                                                                |       |       |        |       |
| Totalt                                                                                            | 310,0                                                                                                                                                                                                                                                                                                                                                                                                                                                                             |       |       |        |       |                                                                                                     |                                                                                                                                                                                                                                                                                                                                                                                                                                                                                |       |       |        |       |
| Serie                                                                                             | 101,4                                                                                                                                                                                                                                                                                                                                                                                                                                                                             |       |       |        |       |                                                                                                     |                                                                                                                                                                                                                                                                                                                                                                                                                                                                                |       |       |        |       |
| Totalt                                                                                            | 411,4                                                                                                                                                                                                                                                                                                                                                                                                                                                                             |       |       |        |       |                                                                                                     |                                                                                                                                                                                                                                                                                                                                                                                                                                                                                |       |       |        |       |

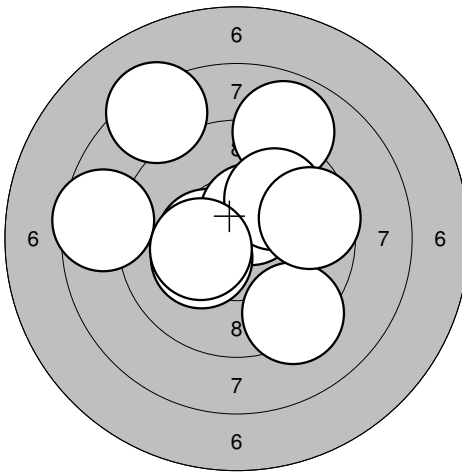
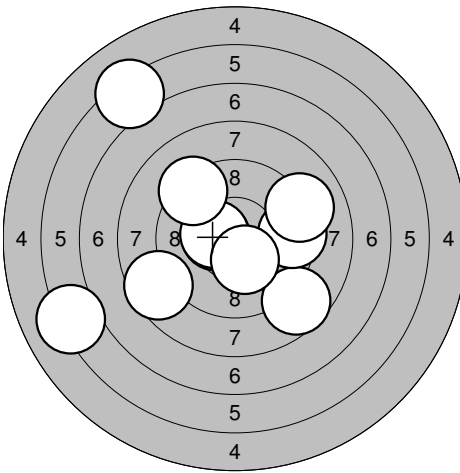
|                                                                                               |                                                                                                                                                                                                                                                                                                                                            |                                                                                                 |                                                                                                                                                                                                                                                                                                                                                   |
|-----------------------------------------------------------------------------------------------|--------------------------------------------------------------------------------------------------------------------------------------------------------------------------------------------------------------------------------------------------------------------------------------------------------------------------------------------|-------------------------------------------------------------------------------------------------|---------------------------------------------------------------------------------------------------------------------------------------------------------------------------------------------------------------------------------------------------------------------------------------------------------------------------------------------------|
| <p>Sight</p>  | <p>1: 9,4 ↓<br/>                 2: 10,4* ↓<br/>                 3: 9,9 ←<br/>                 4: 10,8* ↙<br/>                 5: 10,1 ↓<br/>                 6: 10,6* ↓<br/>                 7: 9,6 ↘<br/>                 8: 10,0 →<br/>                 9: 10,2* ↗<br/>                 10: 9,9 ↓</p> <p>Serie 100,9<br/>Totalt 0,0</p> | <p>Sight</p>  | <p>11: 10,3* →<br/>                 12: 9,7 ↘<br/>                 13: 10,1 ↘<br/>                 14: 10,4* ↘<br/>                 15: 9,9 ↗<br/>                 16: 10,5* ↗<br/>                 17: 10,4* ←<br/>                 18: 8,9 ↗<br/>                 19: 9,8 ↗<br/>                 20: 9,9 ↓</p> <p>Serie 99,9<br/>Totalt 0,0</p> |
|-----------------------------------------------------------------------------------------------|--------------------------------------------------------------------------------------------------------------------------------------------------------------------------------------------------------------------------------------------------------------------------------------------------------------------------------------------|-------------------------------------------------------------------------------------------------|---------------------------------------------------------------------------------------------------------------------------------------------------------------------------------------------------------------------------------------------------------------------------------------------------------------------------------------------------|

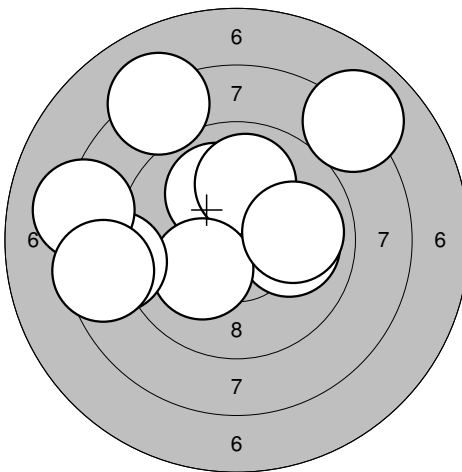
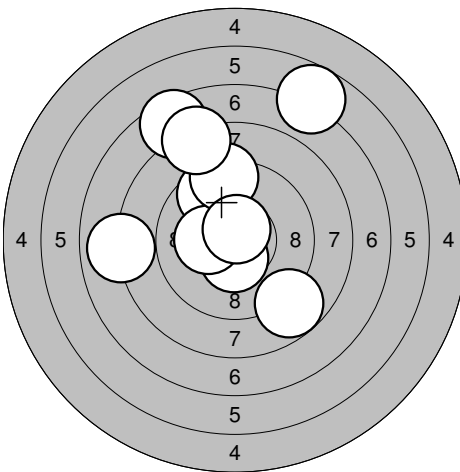
|                                                                                                |                                                                                                                                                                                                                                                 |                                                                                                    |                                                                                                                                                                                                                                                                                                                                                 |
|------------------------------------------------------------------------------------------------|-------------------------------------------------------------------------------------------------------------------------------------------------------------------------------------------------------------------------------------------------|----------------------------------------------------------------------------------------------------|-------------------------------------------------------------------------------------------------------------------------------------------------------------------------------------------------------------------------------------------------------------------------------------------------------------------------------------------------|
| <p>Sight</p>  | <p>21: 8,8 ↘<br/>                 22: 9,8 ←<br/>                 23: 9,9 →<br/>                 24: 10,0 ←<br/>                 25: 10,1 ↑<br/>                 26: 9,9 ↑<br/>                 27: 10,6* ↗</p> <p>Serie 69,1<br/>Totalt 0,0</p> | <p>60 shot</p>  | <p>1: 10,6* ↑<br/>                 2: 10,2* ↑<br/>                 3: 10,8* ↓<br/>                 4: 10,6* ←<br/>                 5: 8,5 ↗<br/>                 6: 10,1 ↑<br/>                 7: 10,1 ↗<br/>                 8: 10,1 ↗<br/>                 9: 10,8* ↓<br/>                 10: 9,5 ↓</p> <p>Serie 101,3<br/>Totalt 101,3</p> |
|------------------------------------------------------------------------------------------------|-------------------------------------------------------------------------------------------------------------------------------------------------------------------------------------------------------------------------------------------------|----------------------------------------------------------------------------------------------------|-------------------------------------------------------------------------------------------------------------------------------------------------------------------------------------------------------------------------------------------------------------------------------------------------------------------------------------------------|

|                                                                                                   |                                                                                                                                                                                                                                                                                                                                                   |                                                                                                     |                                                                                                                                                                                                                                                                                                                                                   |
|---------------------------------------------------------------------------------------------------|---------------------------------------------------------------------------------------------------------------------------------------------------------------------------------------------------------------------------------------------------------------------------------------------------------------------------------------------------|-----------------------------------------------------------------------------------------------------|---------------------------------------------------------------------------------------------------------------------------------------------------------------------------------------------------------------------------------------------------------------------------------------------------------------------------------------------------|
| <p>60 shot</p>  | <p>11: 10,2* ↑<br/>                 12: 9,6 ↓<br/>                 13: 9,3 ↓<br/>                 14: 10,7* ↓<br/>                 15: 9,1 ↑<br/>                 16: 10,5* ↓<br/>                 17: 8,7 ↓<br/>                 18: 9,9 ↘<br/>                 19: 10,1 ↓<br/>                 20: 9,5 ↙</p> <p>Serie 97,6<br/>Totalt 198,9</p> | <p>60 shot</p>  | <p>21: 10,7* ↙<br/>                 22: 10,0 ↙<br/>                 23: 9,7 ←<br/>                 24: 10,1 ↑<br/>                 25: 10,1 ↙<br/>                 26: 10,7* ↗<br/>                 27: 9,5 ↓<br/>                 28: 9,4 ↓<br/>                 29: 9,7 →<br/>                 30: 9,7 ↓</p> <p>Serie 99,6<br/>Totalt 298,5</p> |
|---------------------------------------------------------------------------------------------------|---------------------------------------------------------------------------------------------------------------------------------------------------------------------------------------------------------------------------------------------------------------------------------------------------------------------------------------------------|-----------------------------------------------------------------------------------------------------|---------------------------------------------------------------------------------------------------------------------------------------------------------------------------------------------------------------------------------------------------------------------------------------------------------------------------------------------------|

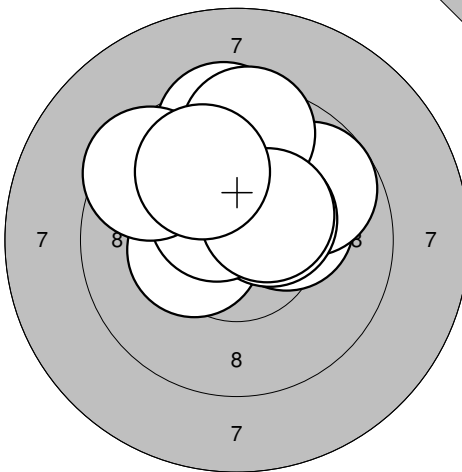
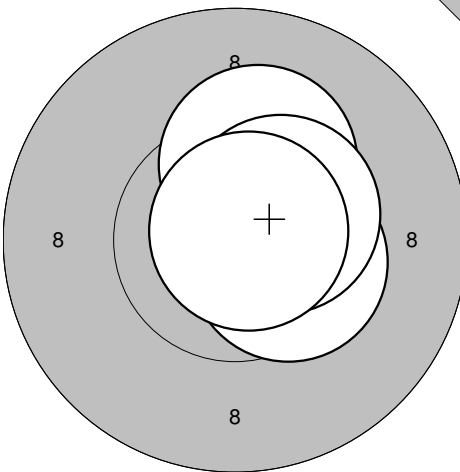
|                                                                                                   |                                                                                                                                                                                                                                                                                                                                                       |  |  |
|---------------------------------------------------------------------------------------------------|-------------------------------------------------------------------------------------------------------------------------------------------------------------------------------------------------------------------------------------------------------------------------------------------------------------------------------------------------------|--|--|
| <p>60 shot</p>  | <p>31: 9,8 ↘<br/>                 32: 9,9 ↗<br/>                 33: 9,9 ↓<br/>                 34: 10,4* ↙<br/>                 35: 10,2* ↓<br/>                 36: 10,0 →<br/>                 37: 10,0 ↓<br/>                 38: 10,6* ↓<br/>                 39: 9,9 ↗<br/>                 40: 10,8* ↑</p> <p>Serie 101,5<br/>Totalt 400,0</p> |  |  |
|---------------------------------------------------------------------------------------------------|-------------------------------------------------------------------------------------------------------------------------------------------------------------------------------------------------------------------------------------------------------------------------------------------------------------------------------------------------------|--|--|

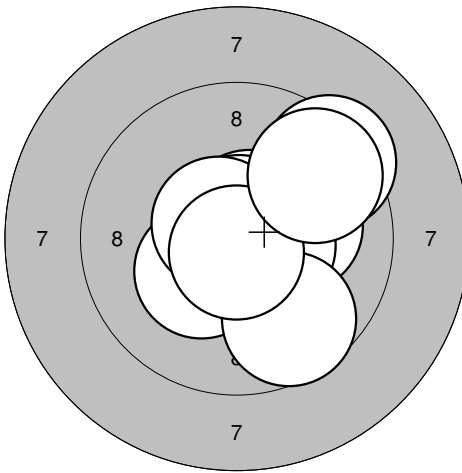
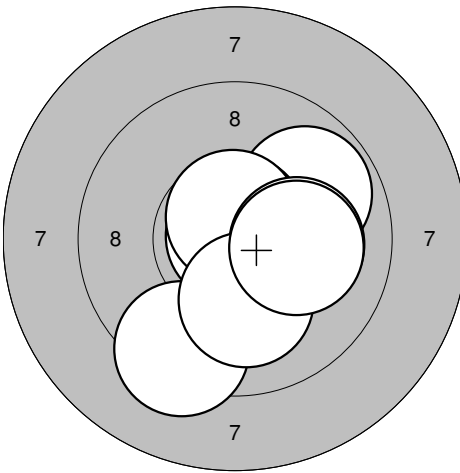
|                                                                                               |                                                                                                                                                                                                                                                                                                                                                                                    |       |      |        |     |                                                                                                 |                                                                                                                                                                                                                                                                                                  |       |      |        |     |
|-----------------------------------------------------------------------------------------------|------------------------------------------------------------------------------------------------------------------------------------------------------------------------------------------------------------------------------------------------------------------------------------------------------------------------------------------------------------------------------------|-------|------|--------|-----|-------------------------------------------------------------------------------------------------|--------------------------------------------------------------------------------------------------------------------------------------------------------------------------------------------------------------------------------------------------------------------------------------------------|-------|------|--------|-----|
| <p>Sight</p>  | <p>1: 10,1 ←</p> <p>2: 10,0 →</p> <p>3: 9,4 ↗</p> <p>4: 9,5 ↙</p> <p>5: 10,5* ↙</p> <p>6: 10,5* ↗</p> <p>7: 10,0 ↙</p> <p>8: 9,6 →</p> <p>9: 9,3 ↘</p> <p>10: 7,8 ↖</p> <table border="1" style="width:100%; border-collapse: collapse;"> <tr><td>Serie</td><td style="text-align: right;">96,7</td></tr> <tr><td>Totalt</td><td style="text-align: right;">0,0</td></tr> </table> | Serie | 96,7 | Totalt | 0,0 | <p>Sight</p>  | <p>11: 10,1 ↑</p> <p>12: 9,1 ↘</p> <p>13: 9,7 ↘</p> <p>14: 8,2 ↘</p> <p>15: 8,5 ↗</p> <table border="1" style="width:100%; border-collapse: collapse;"> <tr><td>Serie</td><td style="text-align: right;">45,6</td></tr> <tr><td>Totalt</td><td style="text-align: right;">0,0</td></tr> </table> | Serie | 45,6 | Totalt | 0,0 |
| Serie                                                                                         | 96,7                                                                                                                                                                                                                                                                                                                                                                               |       |      |        |     |                                                                                                 |                                                                                                                                                                                                                                                                                                  |       |      |        |     |
| Totalt                                                                                        | 0,0                                                                                                                                                                                                                                                                                                                                                                                |       |      |        |     |                                                                                                 |                                                                                                                                                                                                                                                                                                  |       |      |        |     |
| Serie                                                                                         | 45,6                                                                                                                                                                                                                                                                                                                                                                               |       |      |        |     |                                                                                                 |                                                                                                                                                                                                                                                                                                  |       |      |        |     |
| Totalt                                                                                        | 0,0                                                                                                                                                                                                                                                                                                                                                                                |       |      |        |     |                                                                                                 |                                                                                                                                                                                                                                                                                                  |       |      |        |     |

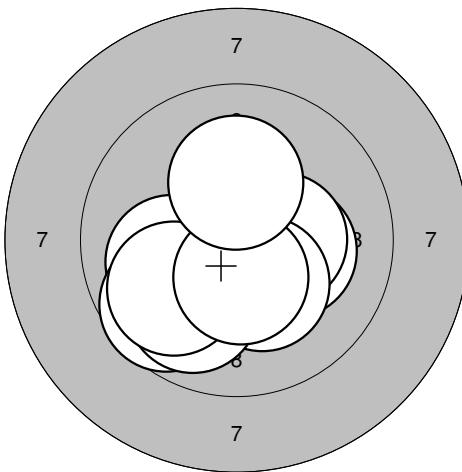
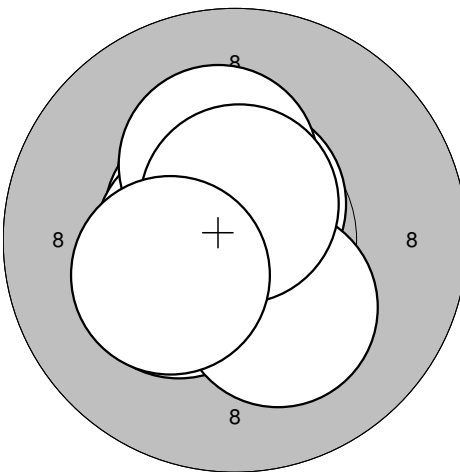
|                                                                                                  |                                                                                                                                                                                                                                                                                                                                                                                       |       |      |        |      |                                                                                                    |                                                                                                                                                                                                                                                                                                                                                                                              |       |      |        |       |
|--------------------------------------------------------------------------------------------------|---------------------------------------------------------------------------------------------------------------------------------------------------------------------------------------------------------------------------------------------------------------------------------------------------------------------------------------------------------------------------------------|-------|------|--------|------|----------------------------------------------------------------------------------------------------|----------------------------------------------------------------------------------------------------------------------------------------------------------------------------------------------------------------------------------------------------------------------------------------------------------------------------------------------------------------------------------------------|-------|------|--------|-------|
| <p>60 shot</p>  | <p>1: 9,3 ↘</p> <p>2: 8,9 ↗</p> <p>3: 10,4* ←</p> <p>4: 8,3 ↗</p> <p>5: 10,5* ↗</p> <p>6: 10,0 ↗</p> <p>7: 10,2* ←</p> <p>8: 8,6 ←</p> <p>9: 9,6 →</p> <p>10: 10,3* ←</p> <table border="1" style="width:100%; border-collapse: collapse;"> <tr><td>Serie</td><td style="text-align: right;">96,1</td></tr> <tr><td>Totalt</td><td style="text-align: right;">96,1</td></tr> </table> | Serie | 96,1 | Totalt | 96,1 | <p>60 shot</p>  | <p>11: 10,5* ←</p> <p>12: 8,7 ↘</p> <p>13: 9,4 →</p> <p>14: 10,4* ←</p> <p>15: 10,3* ↘</p> <p>16: 6,2 ←</p> <p>17: 6,3 ↗</p> <p>18: 9,1 ↗</p> <p>19: 9,3 ↗</p> <p>20: 8,6 ↙</p> <table border="1" style="width:100%; border-collapse: collapse;"> <tr><td>Serie</td><td style="text-align: right;">88,8</td></tr> <tr><td>Totalt</td><td style="text-align: right;">184,9</td></tr> </table> | Serie | 88,8 | Totalt | 184,9 |
| Serie                                                                                            | 96,1                                                                                                                                                                                                                                                                                                                                                                                  |       |      |        |      |                                                                                                    |                                                                                                                                                                                                                                                                                                                                                                                              |       |      |        |       |
| Totalt                                                                                           | 96,1                                                                                                                                                                                                                                                                                                                                                                                  |       |      |        |      |                                                                                                    |                                                                                                                                                                                                                                                                                                                                                                                              |       |      |        |       |
| Serie                                                                                            | 88,8                                                                                                                                                                                                                                                                                                                                                                                  |       |      |        |      |                                                                                                    |                                                                                                                                                                                                                                                                                                                                                                                              |       |      |        |       |
| Totalt                                                                                           | 184,9                                                                                                                                                                                                                                                                                                                                                                                 |       |      |        |      |                                                                                                    |                                                                                                                                                                                                                                                                                                                                                                                              |       |      |        |       |

|                                                                                                   |                                                                                                                                                                                                                                                                                                                                                                                             |       |      |        |       |                                                                                                     |                                                                                                                                                                                                                                                                                                                                                                                              |       |      |        |       |
|---------------------------------------------------------------------------------------------------|---------------------------------------------------------------------------------------------------------------------------------------------------------------------------------------------------------------------------------------------------------------------------------------------------------------------------------------------------------------------------------------------|-------|------|--------|-------|-----------------------------------------------------------------------------------------------------|----------------------------------------------------------------------------------------------------------------------------------------------------------------------------------------------------------------------------------------------------------------------------------------------------------------------------------------------------------------------------------------------|-------|------|--------|-------|
| <p>60 shot</p>  | <p>21: 8,2 ↖</p> <p>22: 10,0 →</p> <p>23: 10,1 ↖</p> <p>24: 10,0 ↑</p> <p>25: 10,2* ↙</p> <p>26: 8,8 ←</p> <p>27: 8,2 ←</p> <p>28: 8,5 ←</p> <p>29: 8,0 ↗</p> <p>30: 9,9 →</p> <table border="1" style="width:100%; border-collapse: collapse;"> <tr><td>Serie</td><td style="text-align: right;">91,9</td></tr> <tr><td>Totalt</td><td style="text-align: right;">276,8</td></tr> </table> | Serie | 91,9 | Totalt | 276,8 | <p>60 shot</p>  | <p>31: 9,6 ↗</p> <p>32: 8,8 ↘</p> <p>33: 10,5* ↘</p> <p>34: 7,5 ↖</p> <p>35: 10,3* ←</p> <p>36: 6,7 ↗</p> <p>37: 9,3 ↑</p> <p>38: 8,0 ←</p> <p>39: 8,2 ↖</p> <p>40: 10,7* ↑</p> <table border="1" style="width:100%; border-collapse: collapse;"> <tr><td>Serie</td><td style="text-align: right;">89,6</td></tr> <tr><td>Totalt</td><td style="text-align: right;">366,4</td></tr> </table> | Serie | 89,6 | Totalt | 366,4 |
| Serie                                                                                             | 91,9                                                                                                                                                                                                                                                                                                                                                                                        |       |      |        |       |                                                                                                     |                                                                                                                                                                                                                                                                                                                                                                                              |       |      |        |       |
| Totalt                                                                                            | 276,8                                                                                                                                                                                                                                                                                                                                                                                       |       |      |        |       |                                                                                                     |                                                                                                                                                                                                                                                                                                                                                                                              |       |      |        |       |
| Serie                                                                                             | 89,6                                                                                                                                                                                                                                                                                                                                                                                        |       |      |        |       |                                                                                                     |                                                                                                                                                                                                                                                                                                                                                                                              |       |      |        |       |
| Totalt                                                                                            | 366,4                                                                                                                                                                                                                                                                                                                                                                                       |       |      |        |       |                                                                                                     |                                                                                                                                                                                                                                                                                                                                                                                              |       |      |        |       |



|                                                                                                                                                                            |                                                                                                 |  |
|----------------------------------------------------------------------------------------------------------------------------------------------------------------------------|-------------------------------------------------------------------------------------------------|--|
| <p>Sight</p>                                                                               | <p>Sight</p>  |  |
| <p>1: 10,2* →</p> <p>2: 9,8 ↗</p> <p>3: 10,4* ←</p> <p>4: 10,4* ↗</p> <p>5: 9,5 ↑</p> <p>6: 10,5* ↗</p> <p>7: 9,5 ↖</p> <p>8: 9,5 ↑</p> <p>9: 10,4* ↗</p> <p>10: 9,9 ↖</p> | <p>11: 10,4* →</p> <p>12: 10,2* ↑</p> <p>13: 10,5* ↗</p> <p>14: 10,8* ↗</p>                     |  |
| Serie 100,1                                                                                                                                                                | Serie 41,9                                                                                      |  |
| Totalt 0,0                                                                                                                                                                 | Totalt 0,0                                                                                      |  |

|                                                                                                                                                                               |                                                                                                                                                                                        |  |
|-------------------------------------------------------------------------------------------------------------------------------------------------------------------------------|----------------------------------------------------------------------------------------------------------------------------------------------------------------------------------------|--|
| <p>60 shot</p>                                                                               | <p>60 shot</p>                                                                                      |  |
| <p>1: 10,1 →</p> <p>2: 10,3* ↙</p> <p>3: 10,6* ↗</p> <p>4: 9,3 ↗</p> <p>5: 10,5* →</p> <p>6: 10,7* ↑</p> <p>7: 9,7 ↓</p> <p>8: 10,6* ↖</p> <p>9: 10,8* ↓</p> <p>10: 9,6 ↗</p> | <p>11: 10,9* ↖</p> <p>12: 10,5* →</p> <p>13: 9,8 ↗</p> <p>14: 10,7* ↑</p> <p>15: 10,5* →</p> <p>16: 9,3 ↓</p> <p>17: 10,7* ↑</p> <p>18: 10,1 →</p> <p>19: 10,1 ↓</p> <p>20: 10,1 →</p> |  |
| Serie 102,2                                                                                                                                                                   | Serie 102,7                                                                                                                                                                            |  |
| Totalt 102,2                                                                                                                                                                  | Totalt 204,9                                                                                                                                                                           |  |

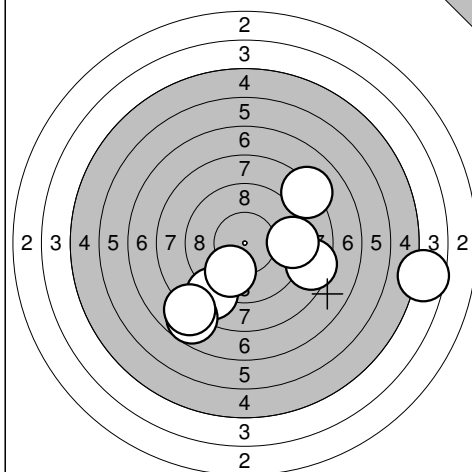
|                                                                                                                                                                                        |                                                                                                                                                                                               |  |
|----------------------------------------------------------------------------------------------------------------------------------------------------------------------------------------|-----------------------------------------------------------------------------------------------------------------------------------------------------------------------------------------------|--|
| <p>60 shot</p>                                                                                       | <p>60 shot</p>                                                                                            |  |
| <p>21: 10,2* →</p> <p>22: 10,2* ↙</p> <p>23: 10,0 ←</p> <p>24: 10,4* →</p> <p>25: 10,3* ↓</p> <p>26: 9,7 ↙</p> <p>27: 9,9 ↙</p> <p>28: 9,9 ↙</p> <p>29: 10,4* ↓</p> <p>30: 10,2* ↑</p> | <p>31: 10,4* ↑</p> <p>32: 10,6* ↖</p> <p>33: 10,8* ↙</p> <p>34: 10,6* ←</p> <p>35: 10,3* ↙</p> <p>36: 10,6* ↑</p> <p>37: 10,2* ↓</p> <p>38: 10,3* ↑</p> <p>39: 10,6* ↑</p> <p>40: 10,3* ↙</p> |  |
| Serie 101,2                                                                                                                                                                            | Serie 104,7                                                                                                                                                                                   |  |
| Totalt 306,1                                                                                                                                                                           | Totalt 410,8                                                                                                                                                                                  |  |

2013-04-20

UME-Kulan 2013

Umeå skytteallians

Sight

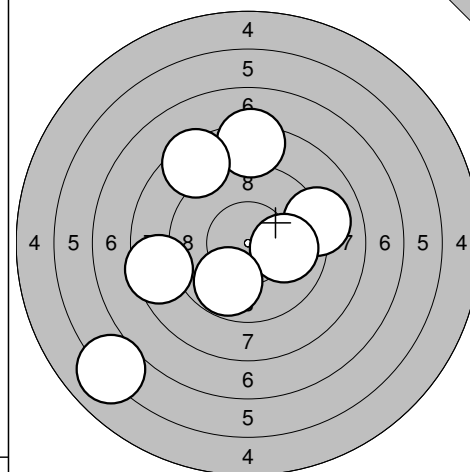


1: 8,8 ↘  
 2: 7,8 ↘  
 3: 0,0 →  
 4: 7,9 ↘  
 5: 0,0 ↘  
 6: 9,9 ↘  
 7: 4,6 →  
 8: 8,1 ↗  
 9: 8,5 →  
 10: 9,3 →

Serie 64,9

Totalt 0,0

Sight

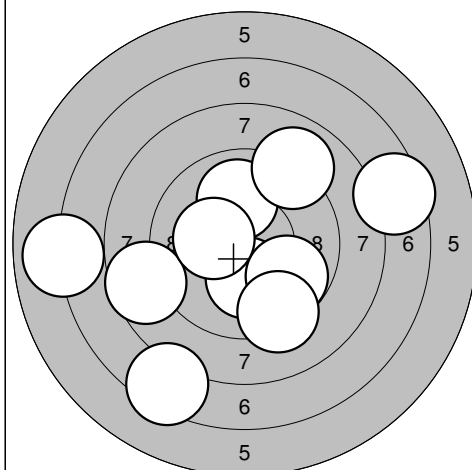


11: 9,1 →  
 12: 0,0 →  
 13: 8,5 ←  
 14: 10,0 →  
 15: 8,3 ↑  
 16: 9,8 ↘  
 17: 8,5 ↗  
 18: 6,1 ↘

Serie 60,3

Totalt 0,0

60 shot

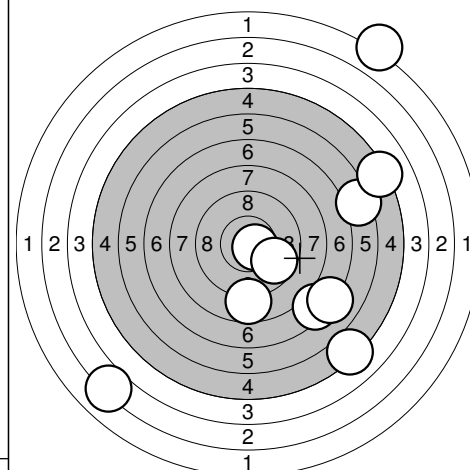


1: 10,2\* ↘  
 2: 9,8 ↘  
 3: 9,3 ↘  
 4: 8,6 ←  
 5: 10,0 ↑  
 6: 9,0 ↗  
 7: 7,5 →  
 8: 7,0 ←  
 9: 7,4 ↘  
 10: 10,3\* ←

Serie 89,1

Totalt 89,1

60 shot

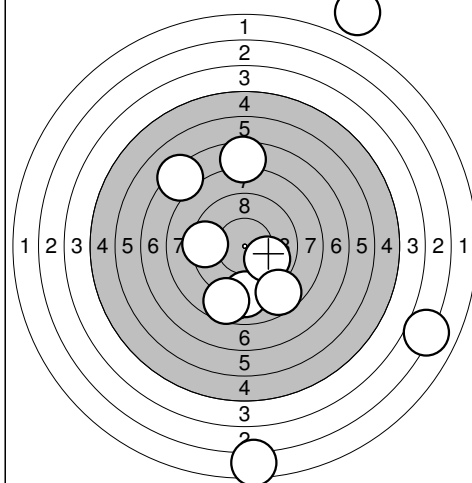


11: 10,6\* ↘  
 12: 1,7 ↗  
 13: 5,1 ↘  
 14: 6,3 →  
 15: 7,3 ↘  
 16: 5,1 →  
 17: 8,7 ↓  
 18: 7,0 ↘  
 19: 3,1 ↘  
 20: 9,7 ↘

Serie 64,6

Totalt 153,7

60 shot

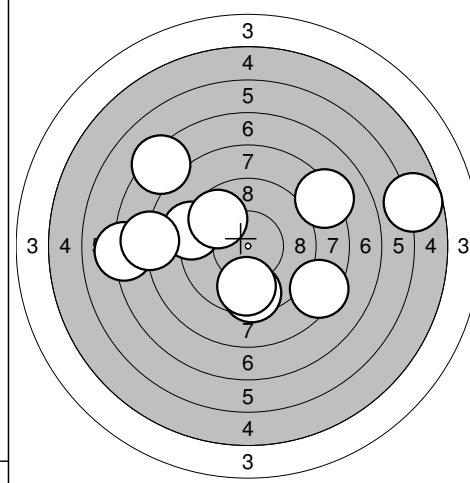


21: 9,1 ↘  
 22: 7,3 ↗  
 23: 9,9 ↘  
 24: 2,4 ↘  
 25: 8,7 ↘  
 26: 8,7 ↘  
 27: 0,0 ↗  
 28: 7,6 ↑  
 29: 3,0 →  
 30: 9,4 ←

Serie 66,1

Totalt 219,8

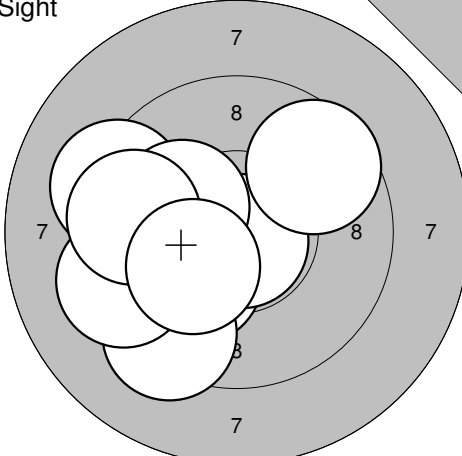
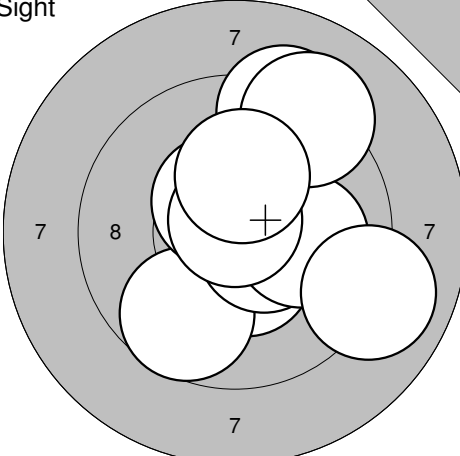
60 shot

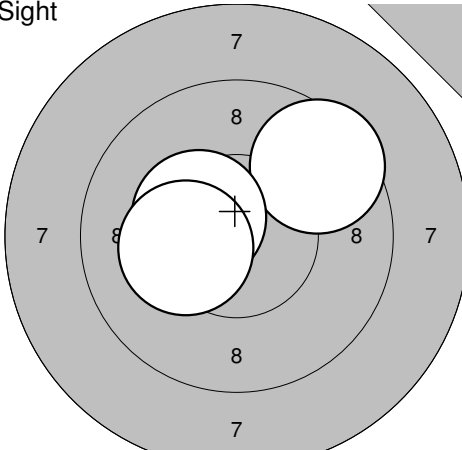
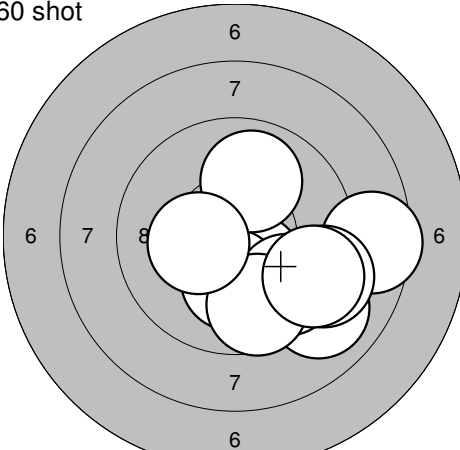


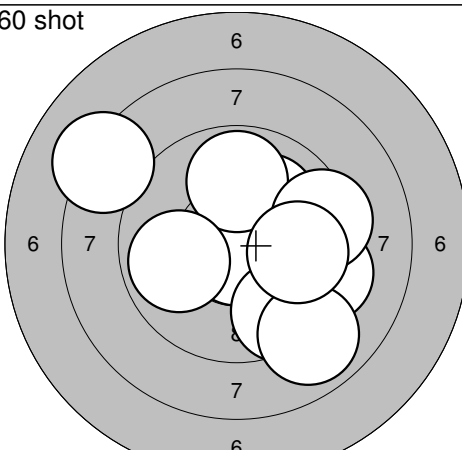
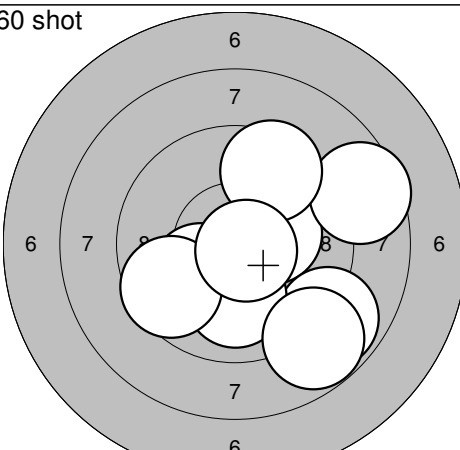
31: 8,4 ↘  
 32: 9,5 ↓  
 33: 7,2 ←  
 34: 9,2 ←  
 35: 9,7 ↓  
 36: 8,0 ←  
 37: 8,2 ↗  
 38: 9,7 ↗  
 39: 7,3 ↗  
 40: 5,7 →

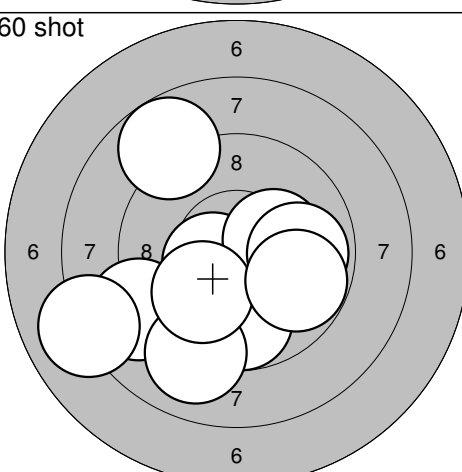
Serie 82,9

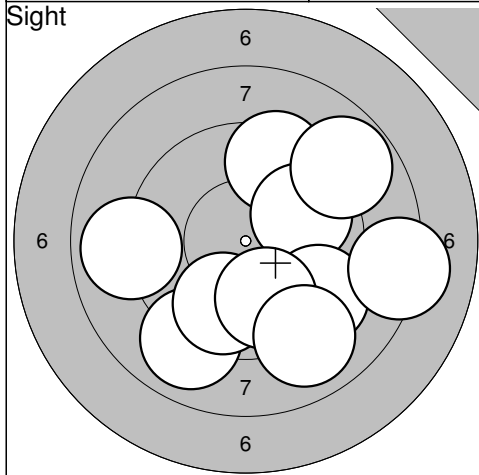
Totalt 302,7

|                                                                                  |                                                                                                                              |                                                                                    |                                                                                                                                           |
|----------------------------------------------------------------------------------|------------------------------------------------------------------------------------------------------------------------------|------------------------------------------------------------------------------------|-------------------------------------------------------------------------------------------------------------------------------------------|
| Sight                                                                            | Sight                                                                                                                        |                                                                                    |                                                                                                                                           |
|  | 1: 10,1 ↙<br>2: 10,8* ↓<br>3: 9,3 ←<br>4: 9,4 ←<br>5: 9,3 ↓<br>6: 9,3 ←<br>7: 10,2* ←<br>8: 9,6 ←<br>9: 9,6 ↗<br>10: 10,2* ↙ |  | 11: 10,4* ↓<br>12: 9,7 ↓<br>13: 10,5* ↗<br>14: 10,5* ↘<br>15: 10,1 →<br>16: 9,0 ↘<br>17: 10,8* ↑<br>18: 9,2 ↗<br>19: 9,2 ↗<br>20: 10,2* ↑ |
| Serie                                                                            | 97,8                                                                                                                         | Serie                                                                              | 99,6                                                                                                                                      |
| Totalt                                                                           | 0,0                                                                                                                          | Totalt                                                                             | 0,0                                                                                                                                       |

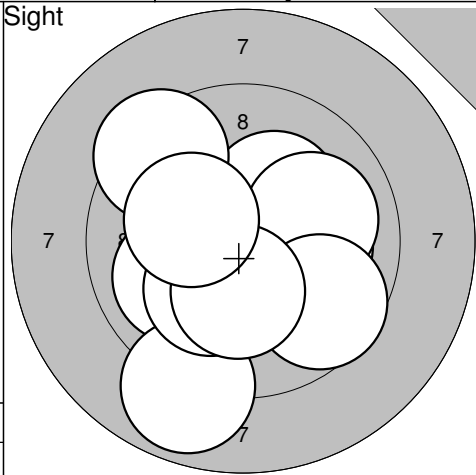
|                                                                                   |                                         |                                                                                     |                                                                                                                             |
|-----------------------------------------------------------------------------------|-----------------------------------------|-------------------------------------------------------------------------------------|-----------------------------------------------------------------------------------------------------------------------------|
| Sight                                                                             | 60 shot                                 |                                                                                     |                                                                                                                             |
|  | 21: 9,5 ↗<br>22: 10,4* ←<br>23: 10,3* ← |  | 1: 10,4* ↓<br>2: 8,5 →<br>3: 9,0 ↓<br>4: 9,2 ↘<br>5: 10,2* ↓<br>6: 9,7 ↓<br>7: 9,7 ↓<br>8: 9,9 ↑<br>9: 10,3* ←<br>10: 9,4 ↘ |
| Serie                                                                             | 30,2                                    | Serie                                                                               | 96,3                                                                                                                        |
| Totalt                                                                            | 0,0                                     | Totalt                                                                              | 96,3                                                                                                                        |

|                                                                                    |                                                                                                                                   |                                                                                      |                                                                                                                                         |
|------------------------------------------------------------------------------------|-----------------------------------------------------------------------------------------------------------------------------------|--------------------------------------------------------------------------------------|-----------------------------------------------------------------------------------------------------------------------------------------|
| 60 shot                                                                            | 60 shot                                                                                                                           |                                                                                      |                                                                                                                                         |
|  | 11: 10,1 ↗<br>12: 10,8* ↓<br>13: 9,8 ↑<br>14: 8,2 ↗<br>15: 9,3 →<br>16: 9,9 ←<br>17: 9,5 ↓<br>18: 8,9 ↓<br>19: 9,4 →<br>20: 9,9 → |  | 21: 10,3* →<br>22: 8,9 ↓<br>23: 10,2* ↓<br>24: 10,2* ↙<br>25: 10,0 ↓<br>26: 8,8 ↓<br>27: 8,6 →<br>28: 9,6 ↙<br>29: 9,5 ↗<br>30: 10,7* ↘ |
| Serie                                                                              | 95,8                                                                                                                              | Serie                                                                                | 96,8                                                                                                                                    |
| Totalt                                                                             | 192,1                                                                                                                             | Totalt                                                                               | 288,9                                                                                                                                   |

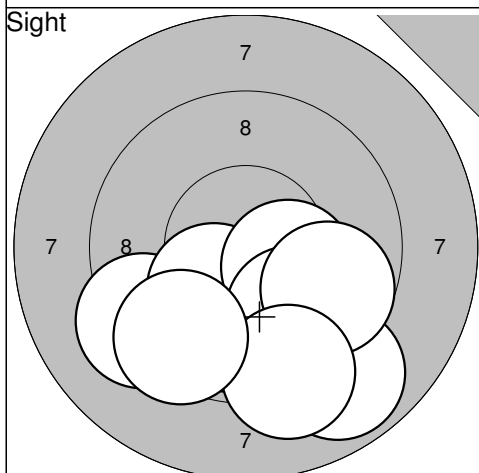
|                                                                                    |                                                                                                                                     |  |  |
|------------------------------------------------------------------------------------|-------------------------------------------------------------------------------------------------------------------------------------|--|--|
| 60 shot                                                                            |                                                                                                                                     |  |  |
|  | 31: 8,9 ←<br>32: 8,0 ←<br>33: 10,5* ←<br>34: 9,8 ↓<br>35: 8,8 ↗<br>36: 10,3* →<br>37: 9,0 ↓<br>38: 10,0 ↓<br>39: 9,9 →<br>40: 9,8 ↘ |  |  |
| Serie                                                                              | 95,0                                                                                                                                |  |  |
| Totalt                                                                             | 383,9                                                                                                                               |  |  |



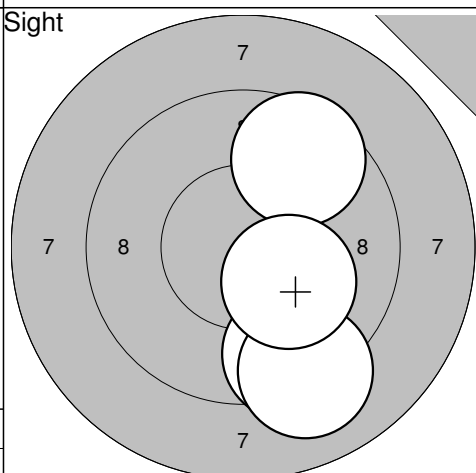
|                   |   |
|-------------------|---|
| 1: 9,5            | ↗ |
| 2: 9,9            | → |
| 3: 8,8            | ↗ |
| 4: 9,0            | ↓ |
| 5: 8,9            | ← |
| 6: 9,3            | ↘ |
| 7: 8,2            | → |
| 8: 9,8            | ↓ |
| 9: 9,9            | ↓ |
| 10: 9,0           | ↓ |
| <b>Serie 92,3</b> |   |
| <b>Totalt 0,0</b> |   |



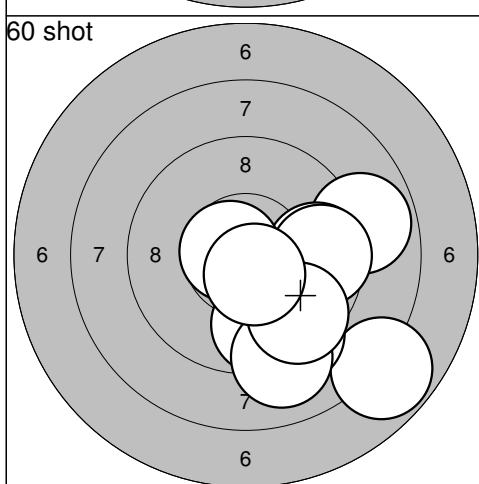
|                   |   |
|-------------------|---|
| 11: 10,2*         | ↗ |
| 12: 10,1          | → |
| 13: 9,4           | ↗ |
| 14: 10,0          | ↖ |
| 15: 10,0          | → |
| 16: 9,6           | ↘ |
| 17: 8,9           | ↓ |
| 18: 10,2*         | ↘ |
| 19: 10,3*         | ↓ |
| 20: 10,2*         | ↖ |
| <b>Serie 98,9</b> |   |
| <b>Totalt 0,0</b> |   |



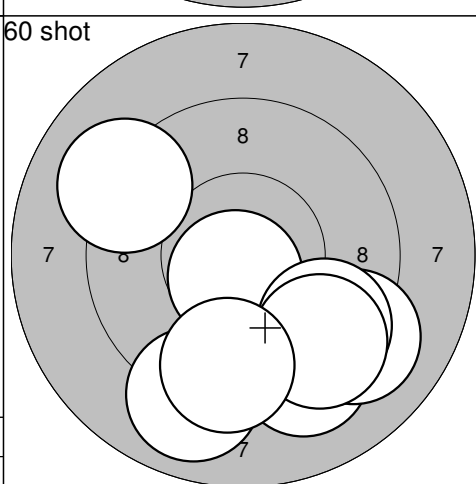
|                   |   |
|-------------------|---|
| 21: 8,9           | ↘ |
| 22: 10,2*         | ↘ |
| 23: 9,9           | ↓ |
| 24: 9,3           | ↖ |
| 25: 10,2*         | ↘ |
| 26: 10,3*         | ↘ |
| 27: 9,9           | ↘ |
| 28: 9,7           | ↘ |
| 29: 9,2           | ↓ |
| 30: 9,5           | ↘ |
| <b>Serie 97,1</b> |   |
| <b>Totalt 0,0</b> |   |



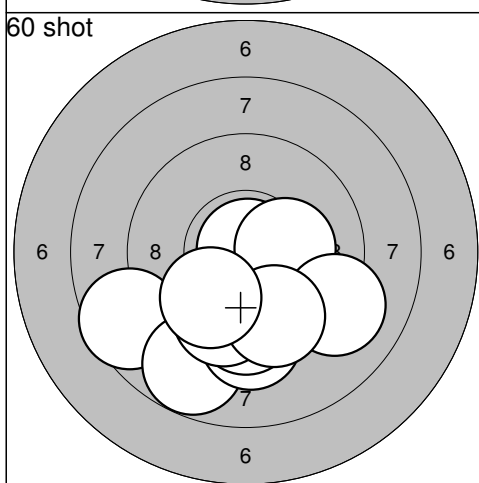
|                   |   |
|-------------------|---|
| 31: 9,4           | ↓ |
| 32: 9,6           | ↗ |
| 33: 9,1           | ↓ |
| 34: 10,2*         | ↘ |
| <b>Serie 38,3</b> |   |
| <b>Totalt 0,0</b> |   |



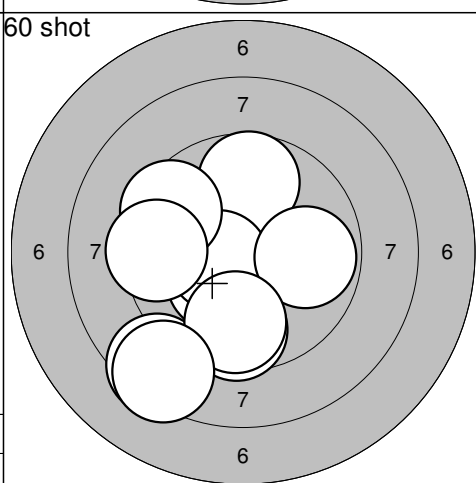
|                    |   |
|--------------------|---|
| 1: 8,8             | → |
| 2: 9,7             | → |
| 3: 7,8             | ↘ |
| 4: 9,3             | ↘ |
| 5: 9,7             | ↘ |
| 6: 9,0             | ↘ |
| 7: 9,6             | → |
| 8: 9,6             | ↘ |
| 9: 10,7*           | ↗ |
| 10: 10,6*          | ↓ |
| <b>Serie 94,8</b>  |   |
| <b>Totalt 94,8</b> |   |



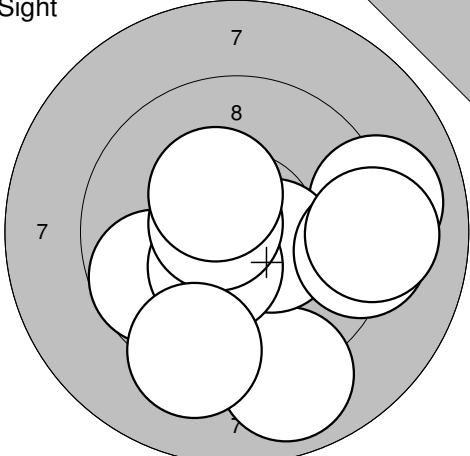
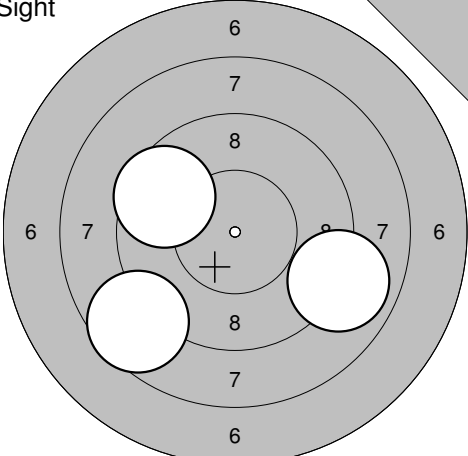
|                     |   |
|---------------------|---|
| 11: 9,2             | ↓ |
| 12: 9,8             | ↓ |
| 13: 9,4             | ↘ |
| 14: 9,0             | ↓ |
| 15: 9,1             | ↘ |
| 16: 10,6*           | ↓ |
| 17: 9,5             | ↘ |
| 18: 9,4             | ↘ |
| 19: 9,1             | ↗ |
| 20: 9,5             | ↓ |
| <b>Serie 94,6</b>   |   |
| <b>Totalt 189,4</b> |   |

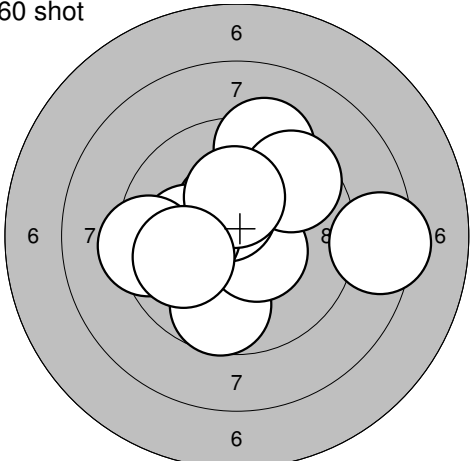
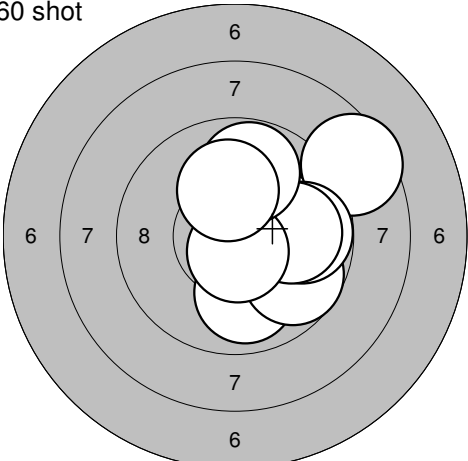


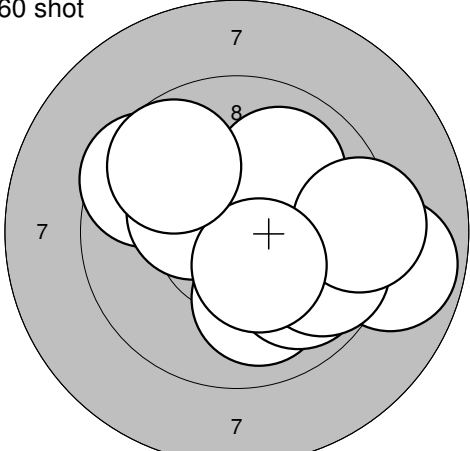
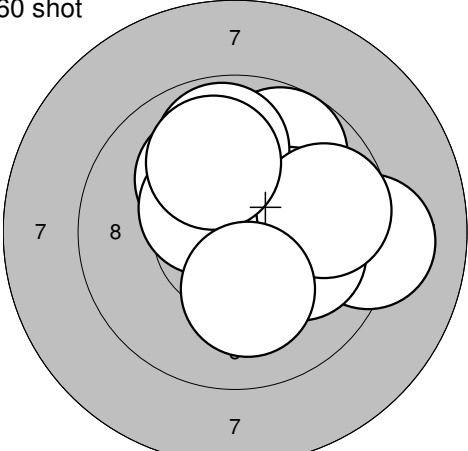
|                     |   |
|---------------------|---|
| 21: 10,9*           | ↗ |
| 22: 8,6             | ↖ |
| 23: 8,8             | ↓ |
| 24: 10,2*           | → |
| 25: 9,1             | ↘ |
| 26: 9,4             | ↓ |
| 27: 9,7             | ↓ |
| 28: 9,8             | ↓ |
| 29: 9,7             | ↓ |
| 30: 9,9             | ↘ |
| <b>Serie 96,1</b>   |   |
| <b>Totalt 285,5</b> |   |

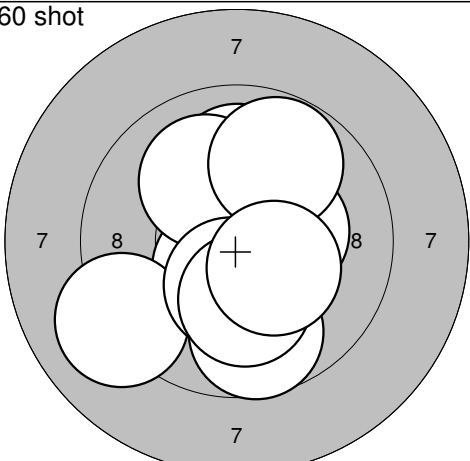
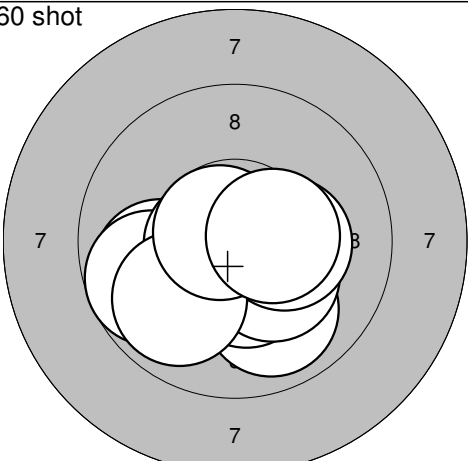


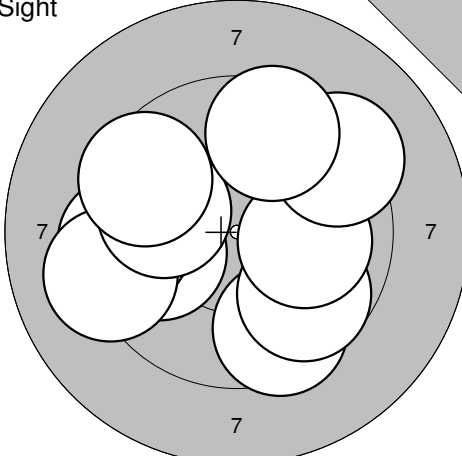
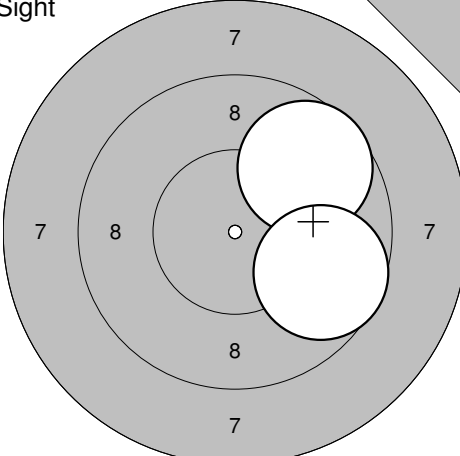
|                     |   |
|---------------------|---|
| 31: 9,7             | ↑ |
| 32: 10,3*           | ↘ |
| 33: 9,6             | ↓ |
| 34: 10,5*           | ↖ |
| 35: 9,8             | → |
| 36: 9,5             | ↗ |
| 37: 9,4             | ← |
| 38: 8,5             | ↘ |
| 39: 9,7             | ↓ |
| 40: 8,4             | ↘ |
| <b>Serie 95,4</b>   |   |
| <b>Totalt 380,9</b> |   |

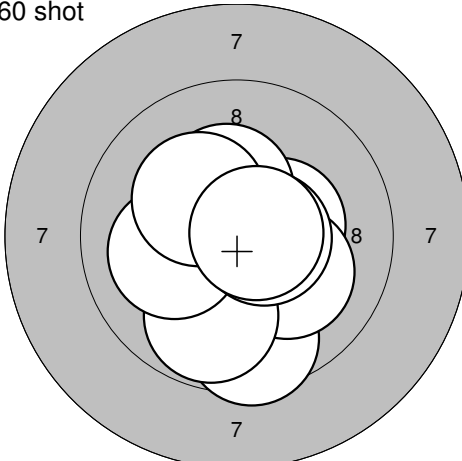
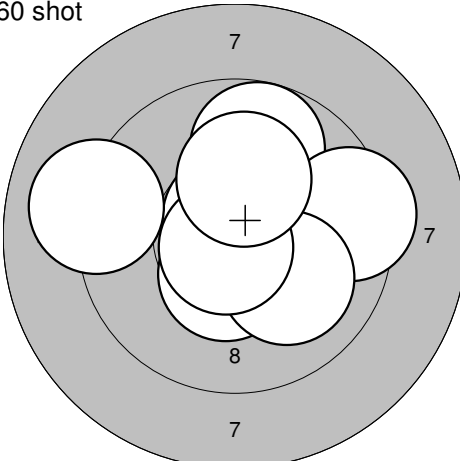
|                                                                                                                               |                                                                                                 |  |
|-------------------------------------------------------------------------------------------------------------------------------|-------------------------------------------------------------------------------------------------|--|
| <p>Sight</p>                                  | <p>Sight</p>  |  |
| 1: 8,9 ↘<br>2: 9,1 →<br>3: 9,7 ↙<br>4: 10,4* →<br>5: 10,4* ↘<br>6: 10,7* ↙<br>7: 9,3 →<br>8: 10,4* ↗<br>9: 9,3 ↘<br>10: 9,1 → | 11: 8,6 ↙<br>12: 8,9 ↘<br>13: 9,6 ↗                                                             |  |
| Serie 93,0<br>Totalt 0,0                                                                                                      | Serie 25,0<br>Totalt 0,0                                                                        |  |

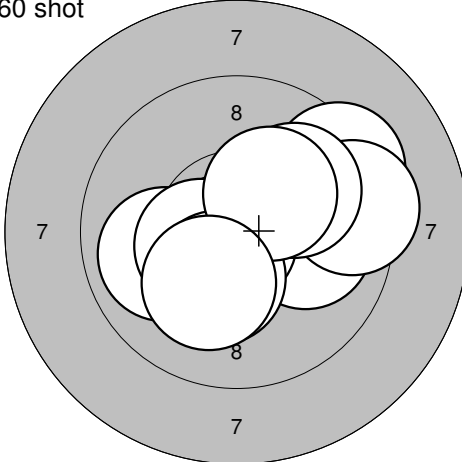
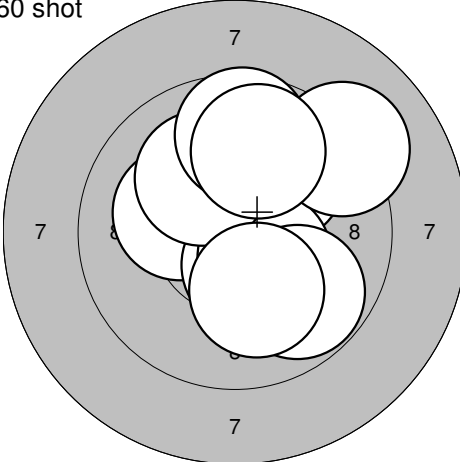
|                                                                                                                              |                                                                                                                                       |  |
|------------------------------------------------------------------------------------------------------------------------------|---------------------------------------------------------------------------------------------------------------------------------------|--|
| <p>60 shot</p>                              | <p>60 shot</p>                                     |  |
| 1: 9,7 ↘<br>2: 9,3 ↑<br>3: 10,5* ↘<br>4: 8,4 →<br>5: 10,5* ↗<br>6: 9,6 ↗<br>7: 10,1 ←<br>8: 10,3* ↑<br>9: 9,4 ←<br>10: 9,9 ↙ | 11: 10,2* →<br>12: 9,9 ↘<br>13: 10,7* ↘<br>14: 9,7 ↘<br>15: 8,5 ↗<br>16: 9,8 →<br>17: 9,9 →<br>18: 10,7* ↘<br>19: 9,8 ↑<br>20: 10,1 ↑ |  |
| Serie 93,0<br>Totalt 93,0                                                                                                    | Serie 93,0<br>Totalt 186,0                                                                                                            |  |

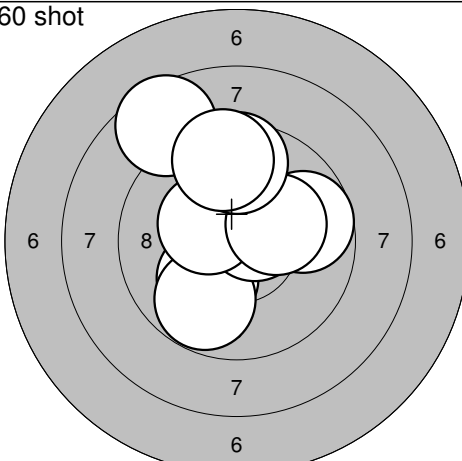
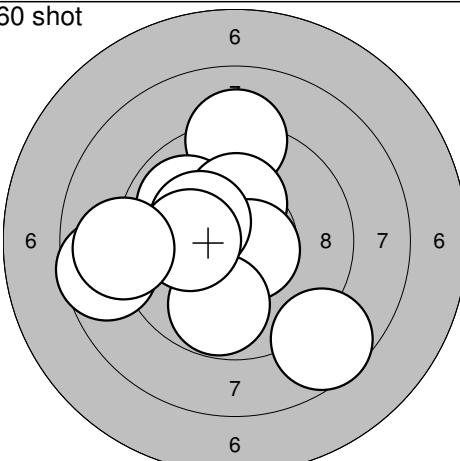
|                                                                                                                                      |                                                                                                                                         |  |
|--------------------------------------------------------------------------------------------------------------------------------------|-----------------------------------------------------------------------------------------------------------------------------------------|--|
| <p>60 shot</p>                                     | <p>60 shot</p>                                      |  |
| 21: 9,6 ↗<br>22: 8,9 →<br>23: 10,0 ↘<br>24: 10,3* ↗<br>25: 10,0 ↗<br>26: 9,9 ↘<br>27: 9,7 ↘<br>28: 9,3 →<br>29: 10,4* ↘<br>30: 9,7 ↗ | 31: 9,8 ↗<br>32: 10,1 ↗<br>33: 9,2 →<br>34: 10,4* ↗<br>35: 10,2* →<br>36: 9,8 ↑<br>37: 10,0 →<br>38: 9,7 →<br>39: 10,0 ↑<br>40: 10,2* ↘ |  |
| Serie 93,0<br>Totalt 279,0                                                                                                           | Serie 96,0<br>Totalt 375,0                                                                                                              |  |

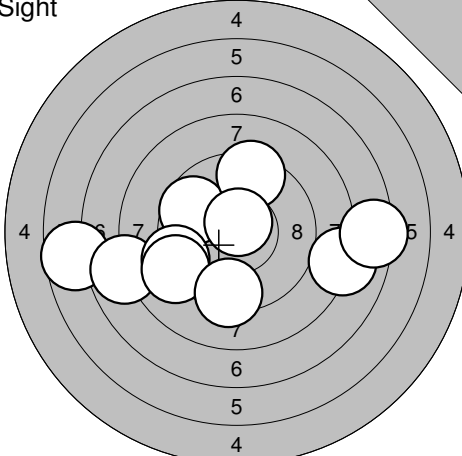
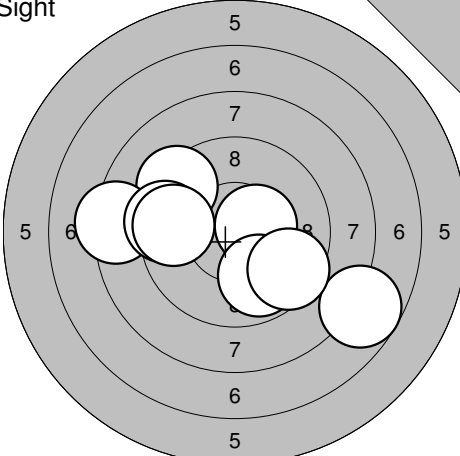
|                                                                                                                                            |                                                                                                                                            |  |
|--------------------------------------------------------------------------------------------------------------------------------------------|--------------------------------------------------------------------------------------------------------------------------------------------|--|
| <p>60 shot</p>                                           | <p>60 shot</p>                                         |  |
| 41: 10,0 ↑<br>42: 10,3* →<br>43: 10,5* ↘<br>44: 10,1 ↗<br>45: 9,1 ↙<br>46: 10,4* ↘<br>47: 9,8 ↗<br>48: 9,7 ↘<br>49: 10,2* ↘<br>50: 10,3* ↘ | 51: 9,9 ←<br>52: 9,9 ↘<br>53: 10,4* ↘<br>54: 9,7 ↙<br>55: 10,3* ↘<br>56: 10,3* →<br>57: 10,6* ←<br>58: 9,9 ↘<br>59: 10,7* ↗<br>60: 10,4* → |  |
| Serie 97,0<br>Totalt 472,0                                                                                                                 | Serie 96,0<br>Totalt 568,0                                                                                                                 |  |

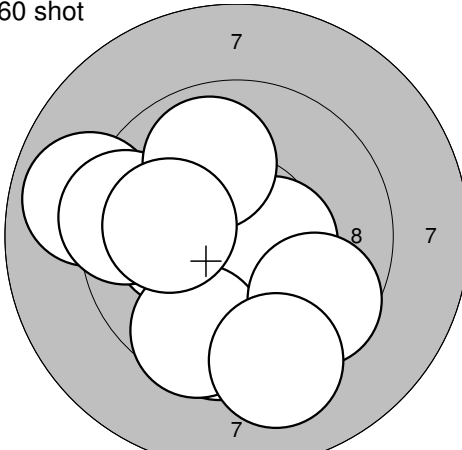
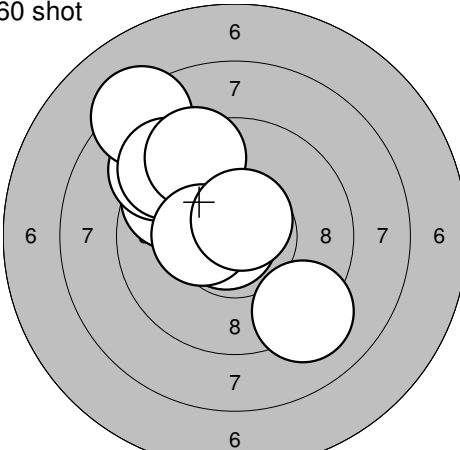
|                                                                                               |                                                                                                                                                                         |                                                                                                                                                                 |
|-----------------------------------------------------------------------------------------------|-------------------------------------------------------------------------------------------------------------------------------------------------------------------------|-----------------------------------------------------------------------------------------------------------------------------------------------------------------|
| <p>Sight</p>  | <p>1: 9,5 ↘<br/>2: 9,7 ↘<br/>3: 9,9 ←<br/>4: 9,5 ←<br/>5: 10,0 →<br/>6: 9,2 ←<br/>7: 9,9 ←<br/>8: 9,3 ↗<br/>9: 9,5 ↖<br/>10: 9,6 ↑</p> <p>Serie 91,0<br/>Totalt 0,0</p> | <p>Sight</p>  <p>11: 9,7 ↗<br/>12: 9,7 →</p> <p>Serie 18,0<br/>Totalt 0,0</p> |
|-----------------------------------------------------------------------------------------------|-------------------------------------------------------------------------------------------------------------------------------------------------------------------------|-----------------------------------------------------------------------------------------------------------------------------------------------------------------|

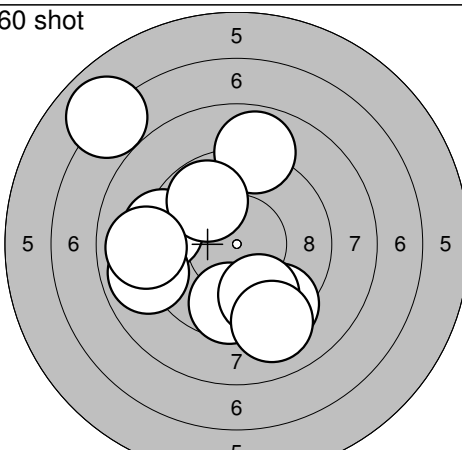
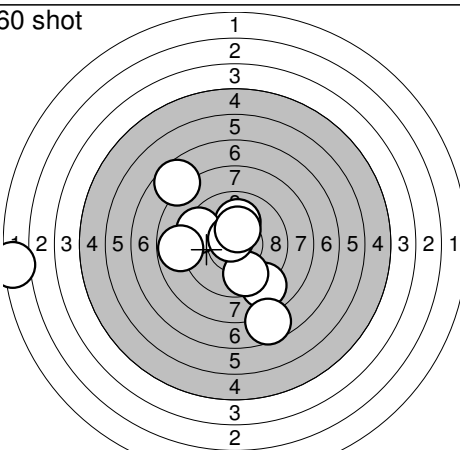
|                                                                                                  |                                                                                                                                                                                       |                                                                                                                                                                                                                                                                                                   |
|--------------------------------------------------------------------------------------------------|---------------------------------------------------------------------------------------------------------------------------------------------------------------------------------------|---------------------------------------------------------------------------------------------------------------------------------------------------------------------------------------------------------------------------------------------------------------------------------------------------|
| <p>60 shot</p>  | <p>1: 10,4* →<br/>2: 10,5* ↙<br/>3: 9,6 ↓<br/>4: 10,1 ↘<br/>5: 10,3* ↑<br/>6: 9,8 ↓<br/>7: 10,1 ←<br/>8: 10,3* ↗<br/>9: 10,6* →<br/>10: 10,7* →</p> <p>Serie 98,0<br/>Totalt 98,0</p> | <p>60 shot</p>  <p>11: 10,7* ↑<br/>12: 10,6* ↗<br/>13: 10,2* ↗<br/>14: 9,1 ←<br/>15: 10,4* ↓<br/>16: 9,8 ↑<br/>17: 9,4 →<br/>18: 10,1 ↘<br/>19: 10,8* ↙<br/>20: 10,2* ↑</p> <p>Serie 97,0<br/>Totalt 195,0</p> |
|--------------------------------------------------------------------------------------------------|---------------------------------------------------------------------------------------------------------------------------------------------------------------------------------------|---------------------------------------------------------------------------------------------------------------------------------------------------------------------------------------------------------------------------------------------------------------------------------------------------|

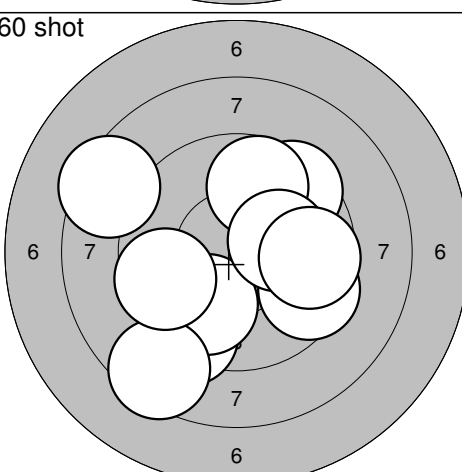
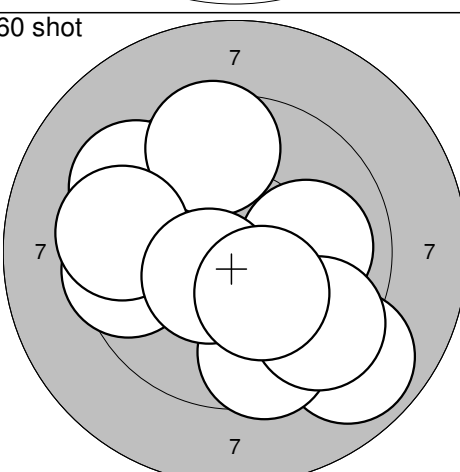
|                                                                                                   |                                                                                                                                                                                                |                                                                                                                                                                                                                                                                                                |
|---------------------------------------------------------------------------------------------------|------------------------------------------------------------------------------------------------------------------------------------------------------------------------------------------------|------------------------------------------------------------------------------------------------------------------------------------------------------------------------------------------------------------------------------------------------------------------------------------------------|
| <p>60 shot</p>  | <p>21: 10,0 →<br/>22: 10,0 ←<br/>23: 10,8* ↘<br/>24: 9,4 ↗<br/>25: 10,4* ←<br/>26: 9,4 →<br/>27: 10,0 ↗<br/>28: 10,3* ↓<br/>29: 10,3* ↗<br/>30: 10,2* ↓</p> <p>Serie 98,0<br/>Totalt 293,0</p> | <p>60 shot</p>  <p>31: 10,0 ↗<br/>32: 10,2* ←<br/>33: 10,5* ↓<br/>34: 10,4* ↘<br/>35: 9,1 ↗<br/>36: 10,1 ↗<br/>37: 9,7 ↑<br/>38: 9,8 ↑<br/>39: 9,8 ↘<br/>40: 10,1 ↓</p> <p>Serie 96,0<br/>Totalt 389,0</p> |
|---------------------------------------------------------------------------------------------------|------------------------------------------------------------------------------------------------------------------------------------------------------------------------------------------------|------------------------------------------------------------------------------------------------------------------------------------------------------------------------------------------------------------------------------------------------------------------------------------------------|

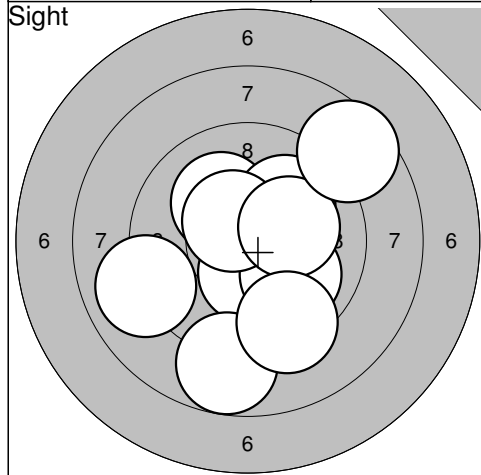
|                                                                                                   |                                                                                                                                                                                            |                                                                                                                                                                                                                                                                                               |
|---------------------------------------------------------------------------------------------------|--------------------------------------------------------------------------------------------------------------------------------------------------------------------------------------------|-----------------------------------------------------------------------------------------------------------------------------------------------------------------------------------------------------------------------------------------------------------------------------------------------|
| <p>60 shot</p>  | <p>41: 9,7 →<br/>42: 10,1 ↘<br/>43: 9,8 ↘<br/>44: 10,3* ↑<br/>45: 8,6 ↖<br/>46: 10,6* ↗<br/>47: 10,4* ↖<br/>48: 10,2* →<br/>49: 9,6 ↑<br/>50: 9,5 ↑</p> <p>Serie 94,0<br/>Totalt 483,0</p> | <p>60 shot</p>  <p>51: 9,2 ↑<br/>52: 9,9 ↖<br/>53: 10,3* ↑<br/>54: 8,6 ←<br/>55: 10,7* →<br/>56: 9,8 ↓<br/>57: 10,3* ↖<br/>58: 10,2* ←<br/>59: 9,0 ←<br/>60: 8,6 ↘</p> <p>Serie 92,0<br/>Totalt 575,0</p> |
|---------------------------------------------------------------------------------------------------|--------------------------------------------------------------------------------------------------------------------------------------------------------------------------------------------|-----------------------------------------------------------------------------------------------------------------------------------------------------------------------------------------------------------------------------------------------------------------------------------------------|

|                                                                                               |                                                                                                                                                                          |                                                                                                 |                                                                                                                                                       |
|-----------------------------------------------------------------------------------------------|--------------------------------------------------------------------------------------------------------------------------------------------------------------------------|-------------------------------------------------------------------------------------------------|-------------------------------------------------------------------------------------------------------------------------------------------------------|
| <p>Sight</p>  | <p>1: 6,7 ←<br/>2: 9,7 ↖<br/>3: 9,4 ↑<br/>4: 8,1 →<br/>5: 7,8 ←<br/>6: 9,2 ←<br/>7: 10,7* ↑<br/>8: 7,3 →<br/>9: 9,1 ←<br/>10: 9,3 ↓</p> <p>Serie 83,0<br/>Totalt 0,0</p> | <p>Sight</p>  | <p>11: 10,5* →<br/>12: 7,7 ↘<br/>13: 9,8 ↙<br/>14: 9,3 ↗<br/>15: 8,3 ←<br/>16: 9,4 ←<br/>17: 9,6 ←<br/>18: 9,5 ↘</p> <p>Serie 70,0<br/>Totalt 0,0</p> |
|-----------------------------------------------------------------------------------------------|--------------------------------------------------------------------------------------------------------------------------------------------------------------------------|-------------------------------------------------------------------------------------------------|-------------------------------------------------------------------------------------------------------------------------------------------------------|

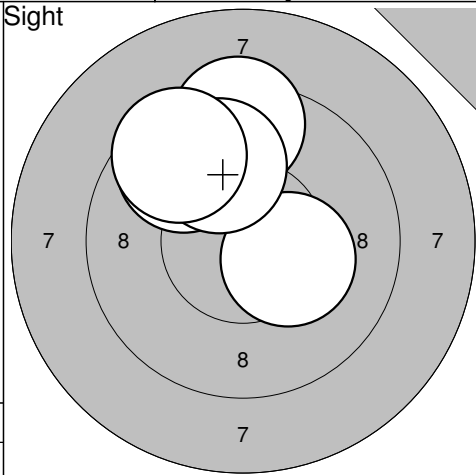
|                                                                                                  |                                                                                                                                                                              |                                                                                                    |                                                                                                                                                                                         |
|--------------------------------------------------------------------------------------------------|------------------------------------------------------------------------------------------------------------------------------------------------------------------------------|----------------------------------------------------------------------------------------------------|-----------------------------------------------------------------------------------------------------------------------------------------------------------------------------------------|
| <p>60 shot</p>  | <p>1: 10,2* ←<br/>2: 9,6 ↓<br/>3: 8,9 ↖<br/>4: 10,5* →<br/>5: 9,6 ↓<br/>6: 9,6 ↓<br/>7: 9,4 ↖<br/>8: 9,2 ↓<br/>9: 9,9 ↗<br/>10: 10,0 ←</p> <p>Serie 92,0<br/>Totalt 92,0</p> | <p>60 shot</p>  | <p>11: 10,8* ←<br/>12: 9,6 ↗<br/>13: 9,7 ↗<br/>14: 9,2 ↘<br/>15: 9,2 ↗<br/>16: 8,3 ↗<br/>17: 9,3 ↗<br/>18: 9,4 ↗<br/>19: 10,4* ←<br/>20: 10,6* ↗</p> <p>Serie 92,0<br/>Totalt 184,0</p> |
|--------------------------------------------------------------------------------------------------|------------------------------------------------------------------------------------------------------------------------------------------------------------------------------|----------------------------------------------------------------------------------------------------|-----------------------------------------------------------------------------------------------------------------------------------------------------------------------------------------|

|                                                                                                   |                                                                                                                                                                                   |                                                                                                     |                                                                                                                                                                                        |
|---------------------------------------------------------------------------------------------------|-----------------------------------------------------------------------------------------------------------------------------------------------------------------------------------|-----------------------------------------------------------------------------------------------------|----------------------------------------------------------------------------------------------------------------------------------------------------------------------------------------|
| <p>60 shot</p>  | <p>21: 9,6 ↓<br/>22: 9,3 ↓<br/>23: 9,3 ↖<br/>24: 9,7 ↓<br/>25: 8,9 ←<br/>26: 8,9 ↑<br/>27: 9,8 ↗<br/>28: 9,0 ←<br/>29: 9,1 ↓<br/>30: 7,0 ↗</p> <p>Serie 86,0<br/>Totalt 270,0</p> | <p>60 shot</p>  | <p>31: 9,0 ↘<br/>32: 10,1 ↑<br/>33: 7,7 ↗<br/>34: 9,7 ↘<br/>35: 9,4 ↗<br/>36: 8,8 ←<br/>37: 7,6 ↘<br/>38: 2,2 ←<br/>39: 10,7* ↗<br/>40: 10,4* ↑</p> <p>Serie 81,0<br/>Totalt 351,0</p> |
|---------------------------------------------------------------------------------------------------|-----------------------------------------------------------------------------------------------------------------------------------------------------------------------------------|-----------------------------------------------------------------------------------------------------|----------------------------------------------------------------------------------------------------------------------------------------------------------------------------------------|

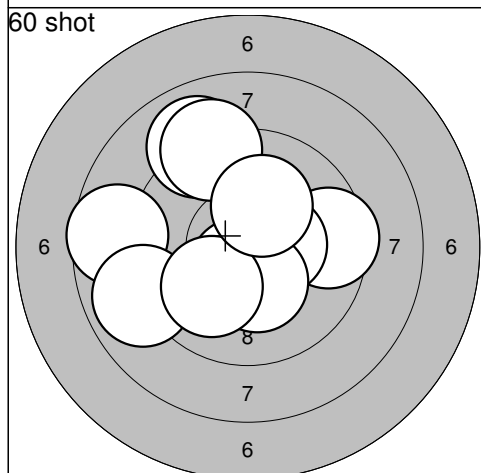
|                                                                                                   |                                                                                                                                                                                     |                                                                                                     |                                                                                                                                                                                        |
|---------------------------------------------------------------------------------------------------|-------------------------------------------------------------------------------------------------------------------------------------------------------------------------------------|-----------------------------------------------------------------------------------------------------|----------------------------------------------------------------------------------------------------------------------------------------------------------------------------------------|
| <p>60 shot</p>  | <p>41: 9,2 ↘<br/>42: 9,5 ↗<br/>43: 9,5 ↘<br/>44: 9,9 ↓<br/>45: 9,7 ↑<br/>46: 8,4 ↖<br/>47: 8,5 ↘<br/>48: 10,2* →<br/>49: 9,6 ←<br/>50: 9,7 →</p> <p>Serie 89,0<br/>Totalt 440,0</p> | <p>60 shot</p>  | <p>51: 9,4 ↗<br/>52: 8,9 ↘<br/>53: 9,5 ↑<br/>54: 9,5 ←<br/>55: 9,4 ←<br/>56: 10,0 →<br/>57: 9,6 ↓<br/>58: 10,5* ↘<br/>59: 9,5 ↘<br/>60: 10,3* ↘</p> <p>Serie 92,0<br/>Totalt 532,0</p> |
|---------------------------------------------------------------------------------------------------|-------------------------------------------------------------------------------------------------------------------------------------------------------------------------------------|-----------------------------------------------------------------------------------------------------|----------------------------------------------------------------------------------------------------------------------------------------------------------------------------------------|



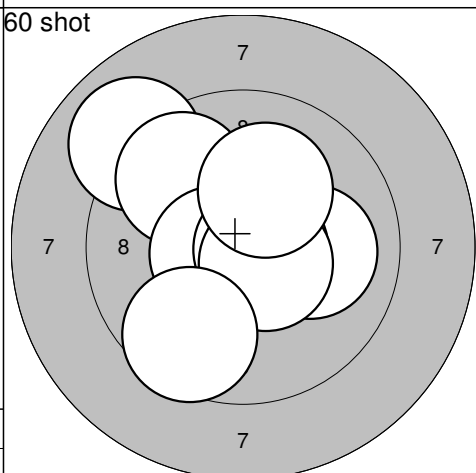
|                   |   |
|-------------------|---|
| 1: 10,1           | ↗ |
| 2: 10,4*          | ↓ |
| 3: 8,8            | ↓ |
| 4: 9,0            | ← |
| 5: 10,0           | ↗ |
| 6: 10,0           | ↘ |
| 7: 10,5*          | ↗ |
| 8: 10,2*          | → |
| 9: 8,6            | ↗ |
| 10: 9,4           | ↓ |
| <b>Serie 94,0</b> |   |
| <b>Totalt 0,0</b> |   |



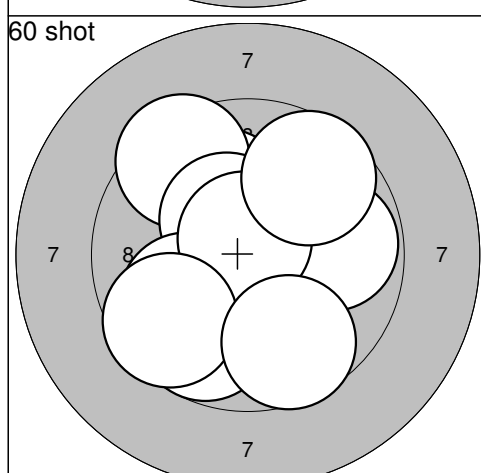
|                   |   |
|-------------------|---|
| 11: 9,4           | ↑ |
| 12: 9,7           | ↗ |
| 13: 10,3*         | → |
| 14: 9,9           | ↗ |
| 15: 9,5           | ↗ |
| <b>Serie 46,0</b> |   |
| <b>Totalt 0,0</b> |   |



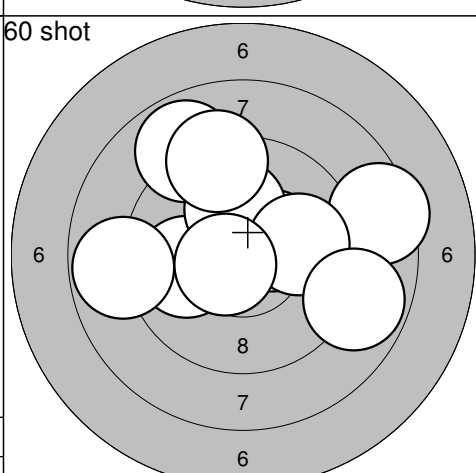
|                    |   |
|--------------------|---|
| 1: 9,0             | ↗ |
| 2: 9,1             | ↗ |
| 3: 9,5             | → |
| 4: 8,6             | ← |
| 5: 10,4*           | → |
| 6: 10,5*           | ↓ |
| 7: 10,3*           | ↓ |
| 8: 8,9             | ← |
| 9: 10,0            | ↙ |
| 10: 10,2*          | ↑ |
| <b>Serie 93,0</b>  |   |
| <b>Totalt 93,0</b> |   |



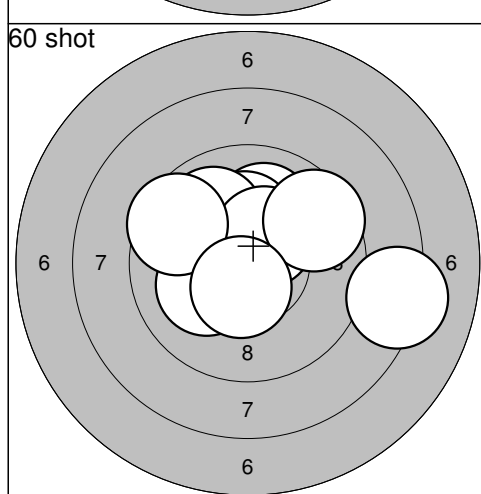
|                     |   |
|---------------------|---|
| 11: 9,0             | ↗ |
| 12: 10,6*           | ↑ |
| 13: 10,7*           | → |
| 14: 9,7             | ↗ |
| 15: 10,6*           | ← |
| 16: 10,0            | → |
| 17: 10,7*           | → |
| 18: 10,6*           | ↘ |
| 19: 10,1            | ↑ |
| 20: 9,6             | ↓ |
| <b>Serie 97,0</b>   |   |
| <b>Totalt 190,0</b> |   |



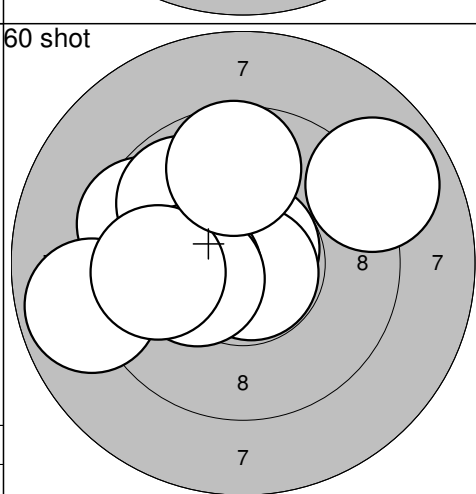
|                     |   |
|---------------------|---|
| 21: 9,8             | ↓ |
| 22: 10,1            | ↗ |
| 23: 9,4             | ↗ |
| 24: 10,4*           | ↗ |
| 25: 9,9             | ← |
| 26: 9,8             | → |
| 27: 10,7*           | ↑ |
| 28: 9,6             | ↗ |
| 29: 9,6             | ← |
| 30: 9,7             | ↓ |
| <b>Serie 93,0</b>   |   |
| <b>Totalt 283,0</b> |   |



|                     |   |
|---------------------|---|
| 31: 9,9             | ← |
| 32: 10,4*           | → |
| 33: 8,9             | ↗ |
| 34: 8,8             | ← |
| 35: 8,4             | → |
| 36: 10,1            | ↑ |
| 37: 9,2             | ↑ |
| 38: 10,0            | → |
| 39: 10,6*           | ← |
| 40: 8,8             | → |
| <b>Serie 90,0</b>   |   |
| <b>Totalt 373,0</b> |   |



|                     |   |
|---------------------|---|
| 41: 10,0            | ↑ |
| 42: 10,2*           | ↖ |
| 43: 8,2             | → |
| 44: 10,2*           | ↑ |
| 45: 10,1            | ← |
| 46: 9,9             | ↗ |
| 47: 10,4*           | ↗ |
| 48: 9,6             | ↗ |
| 49: 9,5             | ↖ |
| 50: 10,5*           | ↓ |
| <b>Serie 95,0</b>   |   |
| <b>Totalt 468,0</b> |   |



|                     |   |
|---------------------|---|
| 51: 10,7*           | ↗ |
| 52: 10,8*           | ↘ |
| 53: 9,5             | ↖ |
| 54: 9,8             | ↗ |
| 55: 10,3*           | ← |
| 56: 10,3*           | ← |
| 57: 8,9             | ← |
| 58: 9,8             | ← |
| 59: 9,7             | ↑ |
| 60: 8,9             | ↗ |
| <b>Serie 92,0</b>   |   |
| <b>Totalt 560,0</b> |   |

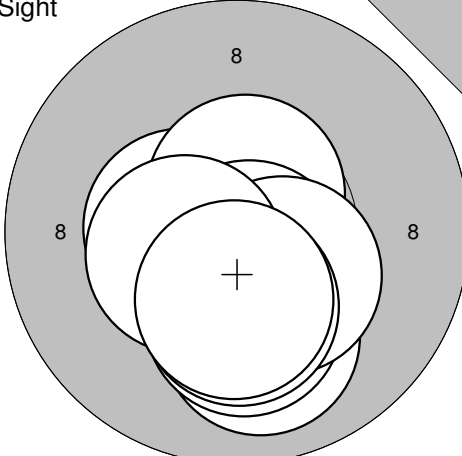
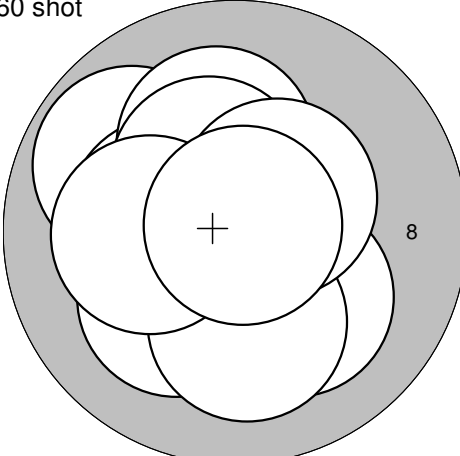


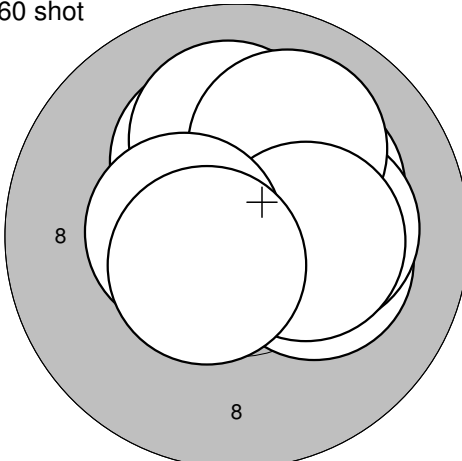
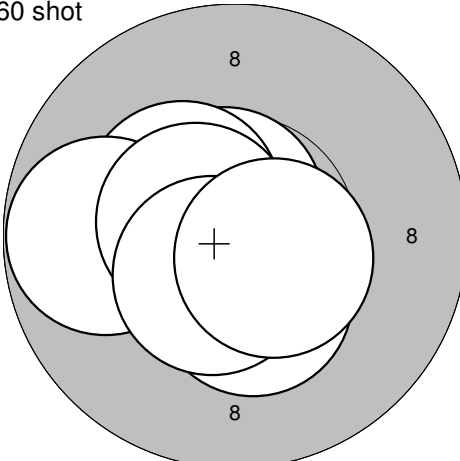
|              |                                                                                                                                                           |                |                                                                                                                                                                              |
|--------------|-----------------------------------------------------------------------------------------------------------------------------------------------------------|----------------|------------------------------------------------------------------------------------------------------------------------------------------------------------------------------|
| <p>Sight</p> | <p>1: 9,7 →</p> <p>2: 10,3* →</p> <p>3: 10,0 ↓</p> <p>4: 10,5* →</p> <p>5: 10,5* ↗</p> <p>6: 8,7 ←</p> <p>7: 10,0 ←</p> <p>8: 9,5 ↓</p> <p>9: 10,3* ←</p> | <p>60 shot</p> | <p>1: 10,8* →</p> <p>2: 10,2* ↗</p> <p>3: 10,7* →</p> <p>4: 9,2 ↗</p> <p>5: 9,9 ←</p> <p>6: 9,4 ←</p> <p>7: 10,5* ↗</p> <p>8: 10,4* →</p> <p>9: 8,5 →</p> <p>10: 10,4* ↑</p> |
| Serie 86,0   | Totalt 0,0                                                                                                                                                | Serie 95,0     | Totalt 95,0                                                                                                                                                                  |

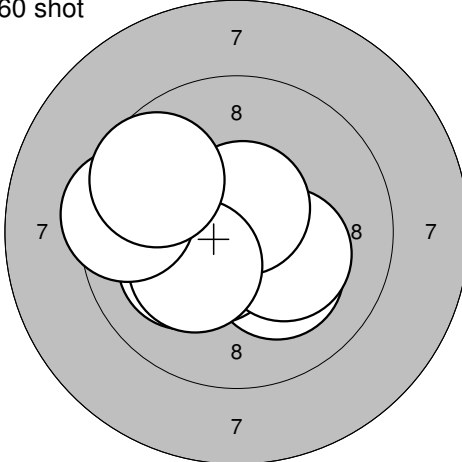
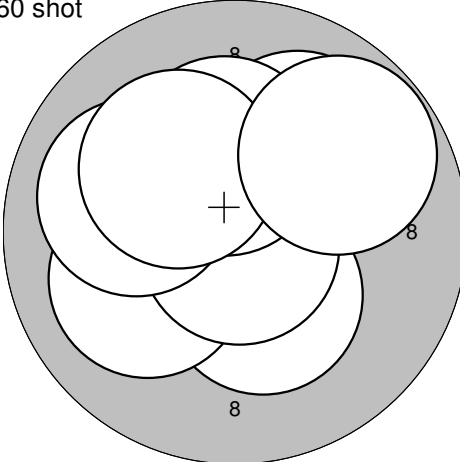
|                |                                                                                                                                                                                       |                |                                                                                                                                                                                    |
|----------------|---------------------------------------------------------------------------------------------------------------------------------------------------------------------------------------|----------------|------------------------------------------------------------------------------------------------------------------------------------------------------------------------------------|
| <p>60 shot</p> | <p>11: 10,5* →</p> <p>12: 10,2* ←</p> <p>13: 10,3* ←</p> <p>14: 9,3 ↓</p> <p>15: 10,5* ↓</p> <p>16: 9,5 ↗</p> <p>17: 9,1 ↓</p> <p>18: 10,5* ↓</p> <p>19: 9,7 ↓</p> <p>20: 10,4* →</p> | <p>60 shot</p> | <p>21: 10,3* ↓</p> <p>22: 10,8* ↗</p> <p>23: 9,1 ↗</p> <p>24: 10,4* ↑</p> <p>25: 9,8 →</p> <p>26: 10,6* ↓</p> <p>27: 9,4 ←</p> <p>28: 9,9 ↗</p> <p>29: 8,5 →</p> <p>30: 10,0 →</p> |
| Serie 96,0     | Totalt 191,0                                                                                                                                                                          | Serie 94,0     | Totalt 285,0                                                                                                                                                                       |

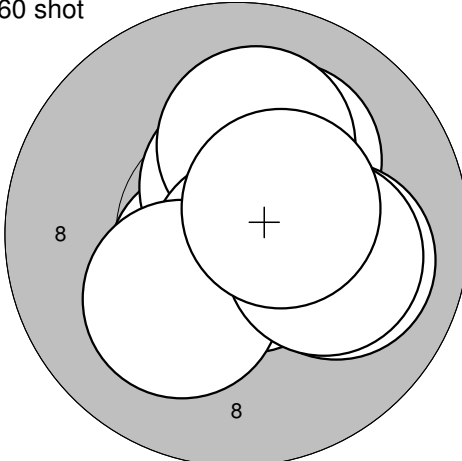
|                |                                                                                                                                                                                        |                |                                                                                                                                                                                |
|----------------|----------------------------------------------------------------------------------------------------------------------------------------------------------------------------------------|----------------|--------------------------------------------------------------------------------------------------------------------------------------------------------------------------------|
| <p>60 shot</p> | <p>31: 8,8 →</p> <p>32: 9,5 →</p> <p>33: 10,0 ↗</p> <p>34: 10,4* →</p> <p>35: 10,2* ←</p> <p>36: 10,5* ↗</p> <p>37: 10,3* ←</p> <p>38: 10,2* →</p> <p>39: 10,3* →</p> <p>40: 9,5 →</p> | <p>60 shot</p> | <p>41: 10,5* →</p> <p>42: 9,5 ←</p> <p>43: 9,3 ↑</p> <p>44: 9,7 →</p> <p>45: 10,4* →</p> <p>46: 9,3 ↗</p> <p>47: 9,9 ↓</p> <p>48: 10,1 ↑</p> <p>49: 9,8 ↑</p> <p>50: 9,8 ↗</p> |
| Serie 96,0     | Totalt 381,0                                                                                                                                                                           | Serie 93,0     | Totalt 474,0                                                                                                                                                                   |

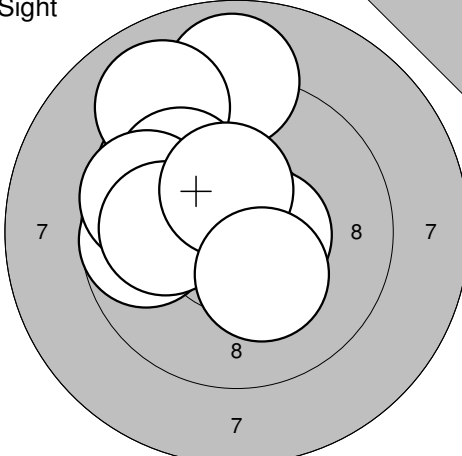
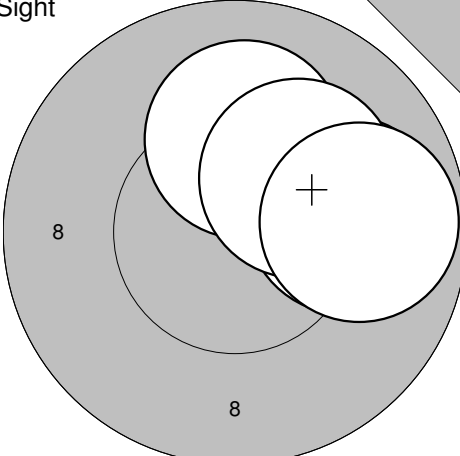
|                |                                                                                                                                                                                 |  |  |
|----------------|---------------------------------------------------------------------------------------------------------------------------------------------------------------------------------|--|--|
| <p>60 shot</p> | <p>51: 9,2 ←</p> <p>52: 8,2 ↓</p> <p>53: 9,1 →</p> <p>54: 10,4* ↓</p> <p>55: 9,9 ↓</p> <p>56: 10,5* ←</p> <p>57: 10,0 ↓</p> <p>58: 9,7 ↗</p> <p>59: 9,3 ↗</p> <p>60: 10,0 ↓</p> |  |  |
| Serie 93,0     | Totalt 567,0                                                                                                                                                                    |  |  |

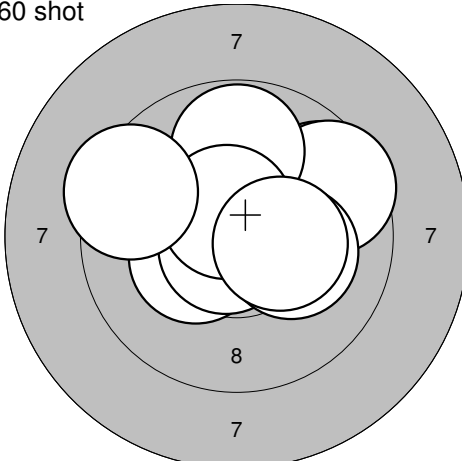
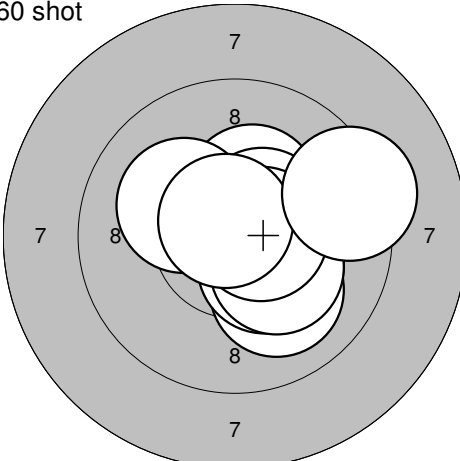
|                                                                                               |                                                                                                                                                                                                                                                                                                                                                                                                                                                                                                                                                                                                                            |          |   |          |   |         |   |          |   |          |   |          |   |          |   |          |   |          |   |       |      |        |     |                                                                                                                                                                                                                                                                                                                                                                                                                                                                                                                                                                                                                                                                                                                                     |        |   |          |   |          |   |          |   |         |   |          |   |          |   |          |   |          |   |           |   |       |      |        |      |
|-----------------------------------------------------------------------------------------------|----------------------------------------------------------------------------------------------------------------------------------------------------------------------------------------------------------------------------------------------------------------------------------------------------------------------------------------------------------------------------------------------------------------------------------------------------------------------------------------------------------------------------------------------------------------------------------------------------------------------------|----------|---|----------|---|---------|---|----------|---|----------|---|----------|---|----------|---|----------|---|----------|---|-------|------|--------|-----|-------------------------------------------------------------------------------------------------------------------------------------------------------------------------------------------------------------------------------------------------------------------------------------------------------------------------------------------------------------------------------------------------------------------------------------------------------------------------------------------------------------------------------------------------------------------------------------------------------------------------------------------------------------------------------------------------------------------------------------|--------|---|----------|---|----------|---|----------|---|---------|---|----------|---|----------|---|----------|---|----------|---|-----------|---|-------|------|--------|------|
| <p>Sight</p>  | <p>60 shot</p> <table style="width:100%; border-collapse: collapse;"> <tr><td>1: 10,5*</td><td>←</td></tr> <tr><td>2: 10,6*</td><td>↑</td></tr> <tr><td>3: 10,0</td><td>↓</td></tr> <tr><td>4: 10,7*</td><td>↓</td></tr> <tr><td>5: 10,2*</td><td>↓</td></tr> <tr><td>6: 10,4*</td><td>↓</td></tr> <tr><td>7: 10,4*</td><td>←</td></tr> <tr><td>8: 10,3*</td><td>↓</td></tr> <tr><td>9: 10,3*</td><td>↓</td></tr> </table> <table style="width:100%; border-collapse: collapse;"> <tr><td>Serie</td><td style="text-align: right;">90,0</td></tr> <tr><td>Totalt</td><td style="text-align: right;">0,0</td></tr> </table> | 1: 10,5* | ← | 2: 10,6* | ↑ | 3: 10,0 | ↓ | 4: 10,7* | ↓ | 5: 10,2* | ↓ | 6: 10,4* | ↓ | 7: 10,4* | ← | 8: 10,3* | ↓ | 9: 10,3* | ↓ | Serie | 90,0 | Totalt | 0,0 |  <table style="width:100%; border-collapse: collapse;"> <tr><td>1: 9,8</td><td>↗</td></tr> <tr><td>2: 10,3*</td><td>←</td></tr> <tr><td>3: 10,2*</td><td>↓</td></tr> <tr><td>4: 10,2*</td><td>↓</td></tr> <tr><td>5: 10,1</td><td>↓</td></tr> <tr><td>6: 10,2*</td><td>↑</td></tr> <tr><td>7: 10,4*</td><td>↑</td></tr> <tr><td>8: 10,2*</td><td>←</td></tr> <tr><td>9: 10,5*</td><td>↗</td></tr> <tr><td>10: 10,9*</td><td>↗</td></tr> </table> <table style="width:100%; border-collapse: collapse;"> <tr><td>Serie</td><td style="text-align: right;">99,0</td></tr> <tr><td>Totalt</td><td style="text-align: right;">99,0</td></tr> </table> | 1: 9,8 | ↗ | 2: 10,3* | ← | 3: 10,2* | ↓ | 4: 10,2* | ↓ | 5: 10,1 | ↓ | 6: 10,2* | ↑ | 7: 10,4* | ↑ | 8: 10,2* | ← | 9: 10,5* | ↗ | 10: 10,9* | ↗ | Serie | 99,0 | Totalt | 99,0 |
| 1: 10,5*                                                                                      | ←                                                                                                                                                                                                                                                                                                                                                                                                                                                                                                                                                                                                                          |          |   |          |   |         |   |          |   |          |   |          |   |          |   |          |   |          |   |       |      |        |     |                                                                                                                                                                                                                                                                                                                                                                                                                                                                                                                                                                                                                                                                                                                                     |        |   |          |   |          |   |          |   |         |   |          |   |          |   |          |   |          |   |           |   |       |      |        |      |
| 2: 10,6*                                                                                      | ↑                                                                                                                                                                                                                                                                                                                                                                                                                                                                                                                                                                                                                          |          |   |          |   |         |   |          |   |          |   |          |   |          |   |          |   |          |   |       |      |        |     |                                                                                                                                                                                                                                                                                                                                                                                                                                                                                                                                                                                                                                                                                                                                     |        |   |          |   |          |   |          |   |         |   |          |   |          |   |          |   |          |   |           |   |       |      |        |      |
| 3: 10,0                                                                                       | ↓                                                                                                                                                                                                                                                                                                                                                                                                                                                                                                                                                                                                                          |          |   |          |   |         |   |          |   |          |   |          |   |          |   |          |   |          |   |       |      |        |     |                                                                                                                                                                                                                                                                                                                                                                                                                                                                                                                                                                                                                                                                                                                                     |        |   |          |   |          |   |          |   |         |   |          |   |          |   |          |   |          |   |           |   |       |      |        |      |
| 4: 10,7*                                                                                      | ↓                                                                                                                                                                                                                                                                                                                                                                                                                                                                                                                                                                                                                          |          |   |          |   |         |   |          |   |          |   |          |   |          |   |          |   |          |   |       |      |        |     |                                                                                                                                                                                                                                                                                                                                                                                                                                                                                                                                                                                                                                                                                                                                     |        |   |          |   |          |   |          |   |         |   |          |   |          |   |          |   |          |   |           |   |       |      |        |      |
| 5: 10,2*                                                                                      | ↓                                                                                                                                                                                                                                                                                                                                                                                                                                                                                                                                                                                                                          |          |   |          |   |         |   |          |   |          |   |          |   |          |   |          |   |          |   |       |      |        |     |                                                                                                                                                                                                                                                                                                                                                                                                                                                                                                                                                                                                                                                                                                                                     |        |   |          |   |          |   |          |   |         |   |          |   |          |   |          |   |          |   |           |   |       |      |        |      |
| 6: 10,4*                                                                                      | ↓                                                                                                                                                                                                                                                                                                                                                                                                                                                                                                                                                                                                                          |          |   |          |   |         |   |          |   |          |   |          |   |          |   |          |   |          |   |       |      |        |     |                                                                                                                                                                                                                                                                                                                                                                                                                                                                                                                                                                                                                                                                                                                                     |        |   |          |   |          |   |          |   |         |   |          |   |          |   |          |   |          |   |           |   |       |      |        |      |
| 7: 10,4*                                                                                      | ←                                                                                                                                                                                                                                                                                                                                                                                                                                                                                                                                                                                                                          |          |   |          |   |         |   |          |   |          |   |          |   |          |   |          |   |          |   |       |      |        |     |                                                                                                                                                                                                                                                                                                                                                                                                                                                                                                                                                                                                                                                                                                                                     |        |   |          |   |          |   |          |   |         |   |          |   |          |   |          |   |          |   |           |   |       |      |        |      |
| 8: 10,3*                                                                                      | ↓                                                                                                                                                                                                                                                                                                                                                                                                                                                                                                                                                                                                                          |          |   |          |   |         |   |          |   |          |   |          |   |          |   |          |   |          |   |       |      |        |     |                                                                                                                                                                                                                                                                                                                                                                                                                                                                                                                                                                                                                                                                                                                                     |        |   |          |   |          |   |          |   |         |   |          |   |          |   |          |   |          |   |           |   |       |      |        |      |
| 9: 10,3*                                                                                      | ↓                                                                                                                                                                                                                                                                                                                                                                                                                                                                                                                                                                                                                          |          |   |          |   |         |   |          |   |          |   |          |   |          |   |          |   |          |   |       |      |        |     |                                                                                                                                                                                                                                                                                                                                                                                                                                                                                                                                                                                                                                                                                                                                     |        |   |          |   |          |   |          |   |         |   |          |   |          |   |          |   |          |   |           |   |       |      |        |      |
| Serie                                                                                         | 90,0                                                                                                                                                                                                                                                                                                                                                                                                                                                                                                                                                                                                                       |          |   |          |   |         |   |          |   |          |   |          |   |          |   |          |   |          |   |       |      |        |     |                                                                                                                                                                                                                                                                                                                                                                                                                                                                                                                                                                                                                                                                                                                                     |        |   |          |   |          |   |          |   |         |   |          |   |          |   |          |   |          |   |           |   |       |      |        |      |
| Totalt                                                                                        | 0,0                                                                                                                                                                                                                                                                                                                                                                                                                                                                                                                                                                                                                        |          |   |          |   |         |   |          |   |          |   |          |   |          |   |          |   |          |   |       |      |        |     |                                                                                                                                                                                                                                                                                                                                                                                                                                                                                                                                                                                                                                                                                                                                     |        |   |          |   |          |   |          |   |         |   |          |   |          |   |          |   |          |   |           |   |       |      |        |      |
| 1: 9,8                                                                                        | ↗                                                                                                                                                                                                                                                                                                                                                                                                                                                                                                                                                                                                                          |          |   |          |   |         |   |          |   |          |   |          |   |          |   |          |   |          |   |       |      |        |     |                                                                                                                                                                                                                                                                                                                                                                                                                                                                                                                                                                                                                                                                                                                                     |        |   |          |   |          |   |          |   |         |   |          |   |          |   |          |   |          |   |           |   |       |      |        |      |
| 2: 10,3*                                                                                      | ←                                                                                                                                                                                                                                                                                                                                                                                                                                                                                                                                                                                                                          |          |   |          |   |         |   |          |   |          |   |          |   |          |   |          |   |          |   |       |      |        |     |                                                                                                                                                                                                                                                                                                                                                                                                                                                                                                                                                                                                                                                                                                                                     |        |   |          |   |          |   |          |   |         |   |          |   |          |   |          |   |          |   |           |   |       |      |        |      |
| 3: 10,2*                                                                                      | ↓                                                                                                                                                                                                                                                                                                                                                                                                                                                                                                                                                                                                                          |          |   |          |   |         |   |          |   |          |   |          |   |          |   |          |   |          |   |       |      |        |     |                                                                                                                                                                                                                                                                                                                                                                                                                                                                                                                                                                                                                                                                                                                                     |        |   |          |   |          |   |          |   |         |   |          |   |          |   |          |   |          |   |           |   |       |      |        |      |
| 4: 10,2*                                                                                      | ↓                                                                                                                                                                                                                                                                                                                                                                                                                                                                                                                                                                                                                          |          |   |          |   |         |   |          |   |          |   |          |   |          |   |          |   |          |   |       |      |        |     |                                                                                                                                                                                                                                                                                                                                                                                                                                                                                                                                                                                                                                                                                                                                     |        |   |          |   |          |   |          |   |         |   |          |   |          |   |          |   |          |   |           |   |       |      |        |      |
| 5: 10,1                                                                                       | ↓                                                                                                                                                                                                                                                                                                                                                                                                                                                                                                                                                                                                                          |          |   |          |   |         |   |          |   |          |   |          |   |          |   |          |   |          |   |       |      |        |     |                                                                                                                                                                                                                                                                                                                                                                                                                                                                                                                                                                                                                                                                                                                                     |        |   |          |   |          |   |          |   |         |   |          |   |          |   |          |   |          |   |           |   |       |      |        |      |
| 6: 10,2*                                                                                      | ↑                                                                                                                                                                                                                                                                                                                                                                                                                                                                                                                                                                                                                          |          |   |          |   |         |   |          |   |          |   |          |   |          |   |          |   |          |   |       |      |        |     |                                                                                                                                                                                                                                                                                                                                                                                                                                                                                                                                                                                                                                                                                                                                     |        |   |          |   |          |   |          |   |         |   |          |   |          |   |          |   |          |   |           |   |       |      |        |      |
| 7: 10,4*                                                                                      | ↑                                                                                                                                                                                                                                                                                                                                                                                                                                                                                                                                                                                                                          |          |   |          |   |         |   |          |   |          |   |          |   |          |   |          |   |          |   |       |      |        |     |                                                                                                                                                                                                                                                                                                                                                                                                                                                                                                                                                                                                                                                                                                                                     |        |   |          |   |          |   |          |   |         |   |          |   |          |   |          |   |          |   |           |   |       |      |        |      |
| 8: 10,2*                                                                                      | ←                                                                                                                                                                                                                                                                                                                                                                                                                                                                                                                                                                                                                          |          |   |          |   |         |   |          |   |          |   |          |   |          |   |          |   |          |   |       |      |        |     |                                                                                                                                                                                                                                                                                                                                                                                                                                                                                                                                                                                                                                                                                                                                     |        |   |          |   |          |   |          |   |         |   |          |   |          |   |          |   |          |   |           |   |       |      |        |      |
| 9: 10,5*                                                                                      | ↗                                                                                                                                                                                                                                                                                                                                                                                                                                                                                                                                                                                                                          |          |   |          |   |         |   |          |   |          |   |          |   |          |   |          |   |          |   |       |      |        |     |                                                                                                                                                                                                                                                                                                                                                                                                                                                                                                                                                                                                                                                                                                                                     |        |   |          |   |          |   |          |   |         |   |          |   |          |   |          |   |          |   |           |   |       |      |        |      |
| 10: 10,9*                                                                                     | ↗                                                                                                                                                                                                                                                                                                                                                                                                                                                                                                                                                                                                                          |          |   |          |   |         |   |          |   |          |   |          |   |          |   |          |   |          |   |       |      |        |     |                                                                                                                                                                                                                                                                                                                                                                                                                                                                                                                                                                                                                                                                                                                                     |        |   |          |   |          |   |          |   |         |   |          |   |          |   |          |   |          |   |           |   |       |      |        |      |
| Serie                                                                                         | 99,0                                                                                                                                                                                                                                                                                                                                                                                                                                                                                                                                                                                                                       |          |   |          |   |         |   |          |   |          |   |          |   |          |   |          |   |          |   |       |      |        |     |                                                                                                                                                                                                                                                                                                                                                                                                                                                                                                                                                                                                                                                                                                                                     |        |   |          |   |          |   |          |   |         |   |          |   |          |   |          |   |          |   |           |   |       |      |        |      |
| Totalt                                                                                        | 99,0                                                                                                                                                                                                                                                                                                                                                                                                                                                                                                                                                                                                                       |          |   |          |   |         |   |          |   |          |   |          |   |          |   |          |   |          |   |       |      |        |     |                                                                                                                                                                                                                                                                                                                                                                                                                                                                                                                                                                                                                                                                                                                                     |        |   |          |   |          |   |          |   |         |   |          |   |          |   |          |   |          |   |           |   |       |      |        |      |

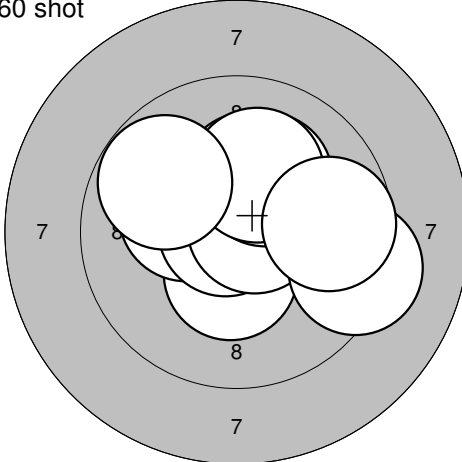
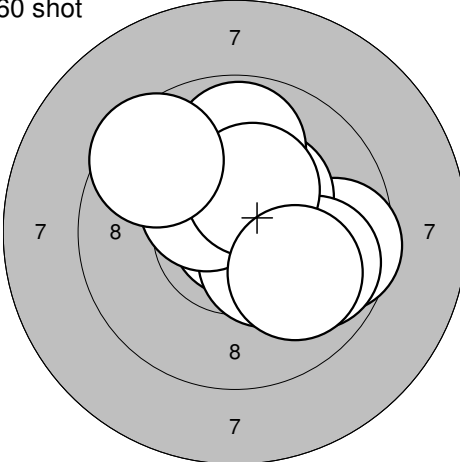
|                                                                                                  |                                                                                                                                                                                                                                                                                                                                                                                                                                                                                                                                                                                                                                                                            |           |   |           |   |          |   |          |   |           |   |           |   |          |   |           |   |           |   |           |   |       |       |        |       |                                                                                                                                                                                                                                                                                                                                                                                                                                                                                                                                                                                                                                                                                                                                                 |           |   |           |   |           |   |           |   |           |   |           |   |         |   |           |   |           |   |           |   |       |      |        |       |
|--------------------------------------------------------------------------------------------------|----------------------------------------------------------------------------------------------------------------------------------------------------------------------------------------------------------------------------------------------------------------------------------------------------------------------------------------------------------------------------------------------------------------------------------------------------------------------------------------------------------------------------------------------------------------------------------------------------------------------------------------------------------------------------|-----------|---|-----------|---|----------|---|----------|---|-----------|---|-----------|---|----------|---|-----------|---|-----------|---|-----------|---|-------|-------|--------|-------|-------------------------------------------------------------------------------------------------------------------------------------------------------------------------------------------------------------------------------------------------------------------------------------------------------------------------------------------------------------------------------------------------------------------------------------------------------------------------------------------------------------------------------------------------------------------------------------------------------------------------------------------------------------------------------------------------------------------------------------------------|-----------|---|-----------|---|-----------|---|-----------|---|-----------|---|-----------|---|---------|---|-----------|---|-----------|---|-----------|---|-------|------|--------|-------|
| <p>60 shot</p>  | <p>60 shot</p> <table style="width:100%; border-collapse: collapse;"> <tr><td>11: 10,2*</td><td>→</td></tr> <tr><td>12: 10,2*</td><td>↑</td></tr> <tr><td>13: 10,1</td><td>↑</td></tr> <tr><td>14: 10,1</td><td>↑</td></tr> <tr><td>15: 10,2*</td><td>↗</td></tr> <tr><td>16: 10,2*</td><td>→</td></tr> <tr><td>17: 10,0</td><td>↑</td></tr> <tr><td>18: 10,3*</td><td>→</td></tr> <tr><td>19: 10,5*</td><td>←</td></tr> <tr><td>20: 10,6*</td><td>↙</td></tr> </table> <table style="width:100%; border-collapse: collapse;"> <tr><td>Serie</td><td style="text-align: right;">100,0</td></tr> <tr><td>Totalt</td><td style="text-align: right;">199,0</td></tr> </table> | 11: 10,2* | → | 12: 10,2* | ↑ | 13: 10,1 | ↑ | 14: 10,1 | ↑ | 15: 10,2* | ↗ | 16: 10,2* | → | 17: 10,0 | ↑ | 18: 10,3* | → | 19: 10,5* | ← | 20: 10,6* | ↙ | Serie | 100,0 | Totalt | 199,0 |  <table style="width:100%; border-collapse: collapse;"> <tr><td>21: 10,8*</td><td>→</td></tr> <tr><td>22: 10,6*</td><td>↓</td></tr> <tr><td>23: 10,4*</td><td>↓</td></tr> <tr><td>24: 10,6*</td><td>←</td></tr> <tr><td>25: 10,7*</td><td>↑</td></tr> <tr><td>26: 10,4*</td><td>↗</td></tr> <tr><td>27: 9,8</td><td>←</td></tr> <tr><td>28: 10,6*</td><td>↗</td></tr> <tr><td>29: 10,5*</td><td>↓</td></tr> <tr><td>30: 10,5*</td><td>↘</td></tr> </table> <table style="width:100%; border-collapse: collapse;"> <tr><td>Serie</td><td style="text-align: right;">99,0</td></tr> <tr><td>Totalt</td><td style="text-align: right;">298,0</td></tr> </table> | 21: 10,8* | → | 22: 10,6* | ↓ | 23: 10,4* | ↓ | 24: 10,6* | ← | 25: 10,7* | ↑ | 26: 10,4* | ↗ | 27: 9,8 | ← | 28: 10,6* | ↗ | 29: 10,5* | ↓ | 30: 10,5* | ↘ | Serie | 99,0 | Totalt | 298,0 |
| 11: 10,2*                                                                                        | →                                                                                                                                                                                                                                                                                                                                                                                                                                                                                                                                                                                                                                                                          |           |   |           |   |          |   |          |   |           |   |           |   |          |   |           |   |           |   |           |   |       |       |        |       |                                                                                                                                                                                                                                                                                                                                                                                                                                                                                                                                                                                                                                                                                                                                                 |           |   |           |   |           |   |           |   |           |   |           |   |         |   |           |   |           |   |           |   |       |      |        |       |
| 12: 10,2*                                                                                        | ↑                                                                                                                                                                                                                                                                                                                                                                                                                                                                                                                                                                                                                                                                          |           |   |           |   |          |   |          |   |           |   |           |   |          |   |           |   |           |   |           |   |       |       |        |       |                                                                                                                                                                                                                                                                                                                                                                                                                                                                                                                                                                                                                                                                                                                                                 |           |   |           |   |           |   |           |   |           |   |           |   |         |   |           |   |           |   |           |   |       |      |        |       |
| 13: 10,1                                                                                         | ↑                                                                                                                                                                                                                                                                                                                                                                                                                                                                                                                                                                                                                                                                          |           |   |           |   |          |   |          |   |           |   |           |   |          |   |           |   |           |   |           |   |       |       |        |       |                                                                                                                                                                                                                                                                                                                                                                                                                                                                                                                                                                                                                                                                                                                                                 |           |   |           |   |           |   |           |   |           |   |           |   |         |   |           |   |           |   |           |   |       |      |        |       |
| 14: 10,1                                                                                         | ↑                                                                                                                                                                                                                                                                                                                                                                                                                                                                                                                                                                                                                                                                          |           |   |           |   |          |   |          |   |           |   |           |   |          |   |           |   |           |   |           |   |       |       |        |       |                                                                                                                                                                                                                                                                                                                                                                                                                                                                                                                                                                                                                                                                                                                                                 |           |   |           |   |           |   |           |   |           |   |           |   |         |   |           |   |           |   |           |   |       |      |        |       |
| 15: 10,2*                                                                                        | ↗                                                                                                                                                                                                                                                                                                                                                                                                                                                                                                                                                                                                                                                                          |           |   |           |   |          |   |          |   |           |   |           |   |          |   |           |   |           |   |           |   |       |       |        |       |                                                                                                                                                                                                                                                                                                                                                                                                                                                                                                                                                                                                                                                                                                                                                 |           |   |           |   |           |   |           |   |           |   |           |   |         |   |           |   |           |   |           |   |       |      |        |       |
| 16: 10,2*                                                                                        | →                                                                                                                                                                                                                                                                                                                                                                                                                                                                                                                                                                                                                                                                          |           |   |           |   |          |   |          |   |           |   |           |   |          |   |           |   |           |   |           |   |       |       |        |       |                                                                                                                                                                                                                                                                                                                                                                                                                                                                                                                                                                                                                                                                                                                                                 |           |   |           |   |           |   |           |   |           |   |           |   |         |   |           |   |           |   |           |   |       |      |        |       |
| 17: 10,0                                                                                         | ↑                                                                                                                                                                                                                                                                                                                                                                                                                                                                                                                                                                                                                                                                          |           |   |           |   |          |   |          |   |           |   |           |   |          |   |           |   |           |   |           |   |       |       |        |       |                                                                                                                                                                                                                                                                                                                                                                                                                                                                                                                                                                                                                                                                                                                                                 |           |   |           |   |           |   |           |   |           |   |           |   |         |   |           |   |           |   |           |   |       |      |        |       |
| 18: 10,3*                                                                                        | →                                                                                                                                                                                                                                                                                                                                                                                                                                                                                                                                                                                                                                                                          |           |   |           |   |          |   |          |   |           |   |           |   |          |   |           |   |           |   |           |   |       |       |        |       |                                                                                                                                                                                                                                                                                                                                                                                                                                                                                                                                                                                                                                                                                                                                                 |           |   |           |   |           |   |           |   |           |   |           |   |         |   |           |   |           |   |           |   |       |      |        |       |
| 19: 10,5*                                                                                        | ←                                                                                                                                                                                                                                                                                                                                                                                                                                                                                                                                                                                                                                                                          |           |   |           |   |          |   |          |   |           |   |           |   |          |   |           |   |           |   |           |   |       |       |        |       |                                                                                                                                                                                                                                                                                                                                                                                                                                                                                                                                                                                                                                                                                                                                                 |           |   |           |   |           |   |           |   |           |   |           |   |         |   |           |   |           |   |           |   |       |      |        |       |
| 20: 10,6*                                                                                        | ↙                                                                                                                                                                                                                                                                                                                                                                                                                                                                                                                                                                                                                                                                          |           |   |           |   |          |   |          |   |           |   |           |   |          |   |           |   |           |   |           |   |       |       |        |       |                                                                                                                                                                                                                                                                                                                                                                                                                                                                                                                                                                                                                                                                                                                                                 |           |   |           |   |           |   |           |   |           |   |           |   |         |   |           |   |           |   |           |   |       |      |        |       |
| Serie                                                                                            | 100,0                                                                                                                                                                                                                                                                                                                                                                                                                                                                                                                                                                                                                                                                      |           |   |           |   |          |   |          |   |           |   |           |   |          |   |           |   |           |   |           |   |       |       |        |       |                                                                                                                                                                                                                                                                                                                                                                                                                                                                                                                                                                                                                                                                                                                                                 |           |   |           |   |           |   |           |   |           |   |           |   |         |   |           |   |           |   |           |   |       |      |        |       |
| Totalt                                                                                           | 199,0                                                                                                                                                                                                                                                                                                                                                                                                                                                                                                                                                                                                                                                                      |           |   |           |   |          |   |          |   |           |   |           |   |          |   |           |   |           |   |           |   |       |       |        |       |                                                                                                                                                                                                                                                                                                                                                                                                                                                                                                                                                                                                                                                                                                                                                 |           |   |           |   |           |   |           |   |           |   |           |   |         |   |           |   |           |   |           |   |       |      |        |       |
| 21: 10,8*                                                                                        | →                                                                                                                                                                                                                                                                                                                                                                                                                                                                                                                                                                                                                                                                          |           |   |           |   |          |   |          |   |           |   |           |   |          |   |           |   |           |   |           |   |       |       |        |       |                                                                                                                                                                                                                                                                                                                                                                                                                                                                                                                                                                                                                                                                                                                                                 |           |   |           |   |           |   |           |   |           |   |           |   |         |   |           |   |           |   |           |   |       |      |        |       |
| 22: 10,6*                                                                                        | ↓                                                                                                                                                                                                                                                                                                                                                                                                                                                                                                                                                                                                                                                                          |           |   |           |   |          |   |          |   |           |   |           |   |          |   |           |   |           |   |           |   |       |       |        |       |                                                                                                                                                                                                                                                                                                                                                                                                                                                                                                                                                                                                                                                                                                                                                 |           |   |           |   |           |   |           |   |           |   |           |   |         |   |           |   |           |   |           |   |       |      |        |       |
| 23: 10,4*                                                                                        | ↓                                                                                                                                                                                                                                                                                                                                                                                                                                                                                                                                                                                                                                                                          |           |   |           |   |          |   |          |   |           |   |           |   |          |   |           |   |           |   |           |   |       |       |        |       |                                                                                                                                                                                                                                                                                                                                                                                                                                                                                                                                                                                                                                                                                                                                                 |           |   |           |   |           |   |           |   |           |   |           |   |         |   |           |   |           |   |           |   |       |      |        |       |
| 24: 10,6*                                                                                        | ←                                                                                                                                                                                                                                                                                                                                                                                                                                                                                                                                                                                                                                                                          |           |   |           |   |          |   |          |   |           |   |           |   |          |   |           |   |           |   |           |   |       |       |        |       |                                                                                                                                                                                                                                                                                                                                                                                                                                                                                                                                                                                                                                                                                                                                                 |           |   |           |   |           |   |           |   |           |   |           |   |         |   |           |   |           |   |           |   |       |      |        |       |
| 25: 10,7*                                                                                        | ↑                                                                                                                                                                                                                                                                                                                                                                                                                                                                                                                                                                                                                                                                          |           |   |           |   |          |   |          |   |           |   |           |   |          |   |           |   |           |   |           |   |       |       |        |       |                                                                                                                                                                                                                                                                                                                                                                                                                                                                                                                                                                                                                                                                                                                                                 |           |   |           |   |           |   |           |   |           |   |           |   |         |   |           |   |           |   |           |   |       |      |        |       |
| 26: 10,4*                                                                                        | ↗                                                                                                                                                                                                                                                                                                                                                                                                                                                                                                                                                                                                                                                                          |           |   |           |   |          |   |          |   |           |   |           |   |          |   |           |   |           |   |           |   |       |       |        |       |                                                                                                                                                                                                                                                                                                                                                                                                                                                                                                                                                                                                                                                                                                                                                 |           |   |           |   |           |   |           |   |           |   |           |   |         |   |           |   |           |   |           |   |       |      |        |       |
| 27: 9,8                                                                                          | ←                                                                                                                                                                                                                                                                                                                                                                                                                                                                                                                                                                                                                                                                          |           |   |           |   |          |   |          |   |           |   |           |   |          |   |           |   |           |   |           |   |       |       |        |       |                                                                                                                                                                                                                                                                                                                                                                                                                                                                                                                                                                                                                                                                                                                                                 |           |   |           |   |           |   |           |   |           |   |           |   |         |   |           |   |           |   |           |   |       |      |        |       |
| 28: 10,6*                                                                                        | ↗                                                                                                                                                                                                                                                                                                                                                                                                                                                                                                                                                                                                                                                                          |           |   |           |   |          |   |          |   |           |   |           |   |          |   |           |   |           |   |           |   |       |       |        |       |                                                                                                                                                                                                                                                                                                                                                                                                                                                                                                                                                                                                                                                                                                                                                 |           |   |           |   |           |   |           |   |           |   |           |   |         |   |           |   |           |   |           |   |       |      |        |       |
| 29: 10,5*                                                                                        | ↓                                                                                                                                                                                                                                                                                                                                                                                                                                                                                                                                                                                                                                                                          |           |   |           |   |          |   |          |   |           |   |           |   |          |   |           |   |           |   |           |   |       |       |        |       |                                                                                                                                                                                                                                                                                                                                                                                                                                                                                                                                                                                                                                                                                                                                                 |           |   |           |   |           |   |           |   |           |   |           |   |         |   |           |   |           |   |           |   |       |      |        |       |
| 30: 10,5*                                                                                        | ↘                                                                                                                                                                                                                                                                                                                                                                                                                                                                                                                                                                                                                                                                          |           |   |           |   |          |   |          |   |           |   |           |   |          |   |           |   |           |   |           |   |       |       |        |       |                                                                                                                                                                                                                                                                                                                                                                                                                                                                                                                                                                                                                                                                                                                                                 |           |   |           |   |           |   |           |   |           |   |           |   |         |   |           |   |           |   |           |   |       |      |        |       |
| Serie                                                                                            | 99,0                                                                                                                                                                                                                                                                                                                                                                                                                                                                                                                                                                                                                                                                       |           |   |           |   |          |   |          |   |           |   |           |   |          |   |           |   |           |   |           |   |       |       |        |       |                                                                                                                                                                                                                                                                                                                                                                                                                                                                                                                                                                                                                                                                                                                                                 |           |   |           |   |           |   |           |   |           |   |           |   |         |   |           |   |           |   |           |   |       |      |        |       |
| Totalt                                                                                           | 298,0                                                                                                                                                                                                                                                                                                                                                                                                                                                                                                                                                                                                                                                                      |           |   |           |   |          |   |          |   |           |   |           |   |          |   |           |   |           |   |           |   |       |       |        |       |                                                                                                                                                                                                                                                                                                                                                                                                                                                                                                                                                                                                                                                                                                                                                 |           |   |           |   |           |   |           |   |           |   |           |   |         |   |           |   |           |   |           |   |       |      |        |       |

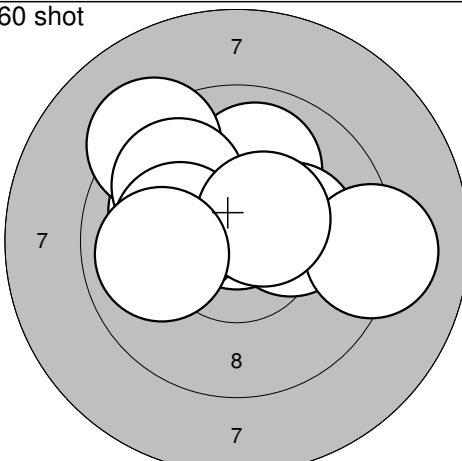
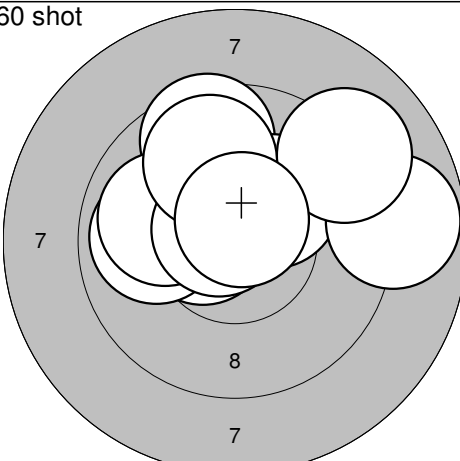
|                                                                                                   |                                                                                                                                                                                                                                                                                                                                                                                                                                                                                                                                                                                                                                                                        |           |   |           |   |           |   |          |   |          |   |           |   |           |   |           |   |         |   |         |   |       |      |        |       |                                                                                                                                                                                                                                                                                                                                                                                                                                                                                                                                                                                                                                                                                                                                               |           |   |           |   |           |   |          |   |          |   |           |   |          |   |           |   |           |   |         |   |       |      |        |       |
|---------------------------------------------------------------------------------------------------|------------------------------------------------------------------------------------------------------------------------------------------------------------------------------------------------------------------------------------------------------------------------------------------------------------------------------------------------------------------------------------------------------------------------------------------------------------------------------------------------------------------------------------------------------------------------------------------------------------------------------------------------------------------------|-----------|---|-----------|---|-----------|---|----------|---|----------|---|-----------|---|-----------|---|-----------|---|---------|---|---------|---|-------|------|--------|-------|-----------------------------------------------------------------------------------------------------------------------------------------------------------------------------------------------------------------------------------------------------------------------------------------------------------------------------------------------------------------------------------------------------------------------------------------------------------------------------------------------------------------------------------------------------------------------------------------------------------------------------------------------------------------------------------------------------------------------------------------------|-----------|---|-----------|---|-----------|---|----------|---|----------|---|-----------|---|----------|---|-----------|---|-----------|---|---------|---|-------|------|--------|-------|
| <p>60 shot</p>  | <p>60 shot</p> <table style="width:100%; border-collapse: collapse;"> <tr><td>31: 10,3*</td><td>↘</td></tr> <tr><td>32: 10,2*</td><td>↓</td></tr> <tr><td>33: 10,5*</td><td>↓</td></tr> <tr><td>34: 10,1</td><td>←</td></tr> <tr><td>35: 10,1</td><td>←</td></tr> <tr><td>36: 10,2*</td><td>↘</td></tr> <tr><td>37: 10,6*</td><td>↑</td></tr> <tr><td>38: 10,2*</td><td>↙</td></tr> <tr><td>39: 9,5</td><td>←</td></tr> <tr><td>40: 9,7</td><td>↗</td></tr> </table> <table style="width:100%; border-collapse: collapse;"> <tr><td>Serie</td><td style="text-align: right;">98,0</td></tr> <tr><td>Totalt</td><td style="text-align: right;">396,0</td></tr> </table> | 31: 10,3* | ↘ | 32: 10,2* | ↓ | 33: 10,5* | ↓ | 34: 10,1 | ← | 35: 10,1 | ← | 36: 10,2* | ↘ | 37: 10,6* | ↑ | 38: 10,2* | ↙ | 39: 9,5 | ← | 40: 9,7 | ↗ | Serie | 98,0 | Totalt | 396,0 |  <table style="width:100%; border-collapse: collapse;"> <tr><td>41: 10,3*</td><td>↓</td></tr> <tr><td>42: 10,6*</td><td>←</td></tr> <tr><td>43: 10,5*</td><td>↗</td></tr> <tr><td>44: 10,1</td><td>↙</td></tr> <tr><td>45: 10,0</td><td>↗</td></tr> <tr><td>46: 10,8*</td><td>↓</td></tr> <tr><td>47: 10,0</td><td>↗</td></tr> <tr><td>48: 10,3*</td><td>↑</td></tr> <tr><td>49: 10,2*</td><td>↗</td></tr> <tr><td>50: 9,8</td><td>↗</td></tr> </table> <table style="width:100%; border-collapse: collapse;"> <tr><td>Serie</td><td style="text-align: right;">99,0</td></tr> <tr><td>Totalt</td><td style="text-align: right;">495,0</td></tr> </table> | 41: 10,3* | ↓ | 42: 10,6* | ← | 43: 10,5* | ↗ | 44: 10,1 | ↙ | 45: 10,0 | ↗ | 46: 10,8* | ↓ | 47: 10,0 | ↗ | 48: 10,3* | ↑ | 49: 10,2* | ↗ | 50: 9,8 | ↗ | Serie | 99,0 | Totalt | 495,0 |
| 31: 10,3*                                                                                         | ↘                                                                                                                                                                                                                                                                                                                                                                                                                                                                                                                                                                                                                                                                      |           |   |           |   |           |   |          |   |          |   |           |   |           |   |           |   |         |   |         |   |       |      |        |       |                                                                                                                                                                                                                                                                                                                                                                                                                                                                                                                                                                                                                                                                                                                                               |           |   |           |   |           |   |          |   |          |   |           |   |          |   |           |   |           |   |         |   |       |      |        |       |
| 32: 10,2*                                                                                         | ↓                                                                                                                                                                                                                                                                                                                                                                                                                                                                                                                                                                                                                                                                      |           |   |           |   |           |   |          |   |          |   |           |   |           |   |           |   |         |   |         |   |       |      |        |       |                                                                                                                                                                                                                                                                                                                                                                                                                                                                                                                                                                                                                                                                                                                                               |           |   |           |   |           |   |          |   |          |   |           |   |          |   |           |   |           |   |         |   |       |      |        |       |
| 33: 10,5*                                                                                         | ↓                                                                                                                                                                                                                                                                                                                                                                                                                                                                                                                                                                                                                                                                      |           |   |           |   |           |   |          |   |          |   |           |   |           |   |           |   |         |   |         |   |       |      |        |       |                                                                                                                                                                                                                                                                                                                                                                                                                                                                                                                                                                                                                                                                                                                                               |           |   |           |   |           |   |          |   |          |   |           |   |          |   |           |   |           |   |         |   |       |      |        |       |
| 34: 10,1                                                                                          | ←                                                                                                                                                                                                                                                                                                                                                                                                                                                                                                                                                                                                                                                                      |           |   |           |   |           |   |          |   |          |   |           |   |           |   |           |   |         |   |         |   |       |      |        |       |                                                                                                                                                                                                                                                                                                                                                                                                                                                                                                                                                                                                                                                                                                                                               |           |   |           |   |           |   |          |   |          |   |           |   |          |   |           |   |           |   |         |   |       |      |        |       |
| 35: 10,1                                                                                          | ←                                                                                                                                                                                                                                                                                                                                                                                                                                                                                                                                                                                                                                                                      |           |   |           |   |           |   |          |   |          |   |           |   |           |   |           |   |         |   |         |   |       |      |        |       |                                                                                                                                                                                                                                                                                                                                                                                                                                                                                                                                                                                                                                                                                                                                               |           |   |           |   |           |   |          |   |          |   |           |   |          |   |           |   |           |   |         |   |       |      |        |       |
| 36: 10,2*                                                                                         | ↘                                                                                                                                                                                                                                                                                                                                                                                                                                                                                                                                                                                                                                                                      |           |   |           |   |           |   |          |   |          |   |           |   |           |   |           |   |         |   |         |   |       |      |        |       |                                                                                                                                                                                                                                                                                                                                                                                                                                                                                                                                                                                                                                                                                                                                               |           |   |           |   |           |   |          |   |          |   |           |   |          |   |           |   |           |   |         |   |       |      |        |       |
| 37: 10,6*                                                                                         | ↑                                                                                                                                                                                                                                                                                                                                                                                                                                                                                                                                                                                                                                                                      |           |   |           |   |           |   |          |   |          |   |           |   |           |   |           |   |         |   |         |   |       |      |        |       |                                                                                                                                                                                                                                                                                                                                                                                                                                                                                                                                                                                                                                                                                                                                               |           |   |           |   |           |   |          |   |          |   |           |   |          |   |           |   |           |   |         |   |       |      |        |       |
| 38: 10,2*                                                                                         | ↙                                                                                                                                                                                                                                                                                                                                                                                                                                                                                                                                                                                                                                                                      |           |   |           |   |           |   |          |   |          |   |           |   |           |   |           |   |         |   |         |   |       |      |        |       |                                                                                                                                                                                                                                                                                                                                                                                                                                                                                                                                                                                                                                                                                                                                               |           |   |           |   |           |   |          |   |          |   |           |   |          |   |           |   |           |   |         |   |       |      |        |       |
| 39: 9,5                                                                                           | ←                                                                                                                                                                                                                                                                                                                                                                                                                                                                                                                                                                                                                                                                      |           |   |           |   |           |   |          |   |          |   |           |   |           |   |           |   |         |   |         |   |       |      |        |       |                                                                                                                                                                                                                                                                                                                                                                                                                                                                                                                                                                                                                                                                                                                                               |           |   |           |   |           |   |          |   |          |   |           |   |          |   |           |   |           |   |         |   |       |      |        |       |
| 40: 9,7                                                                                           | ↗                                                                                                                                                                                                                                                                                                                                                                                                                                                                                                                                                                                                                                                                      |           |   |           |   |           |   |          |   |          |   |           |   |           |   |           |   |         |   |         |   |       |      |        |       |                                                                                                                                                                                                                                                                                                                                                                                                                                                                                                                                                                                                                                                                                                                                               |           |   |           |   |           |   |          |   |          |   |           |   |          |   |           |   |           |   |         |   |       |      |        |       |
| Serie                                                                                             | 98,0                                                                                                                                                                                                                                                                                                                                                                                                                                                                                                                                                                                                                                                                   |           |   |           |   |           |   |          |   |          |   |           |   |           |   |           |   |         |   |         |   |       |      |        |       |                                                                                                                                                                                                                                                                                                                                                                                                                                                                                                                                                                                                                                                                                                                                               |           |   |           |   |           |   |          |   |          |   |           |   |          |   |           |   |           |   |         |   |       |      |        |       |
| Totalt                                                                                            | 396,0                                                                                                                                                                                                                                                                                                                                                                                                                                                                                                                                                                                                                                                                  |           |   |           |   |           |   |          |   |          |   |           |   |           |   |           |   |         |   |         |   |       |      |        |       |                                                                                                                                                                                                                                                                                                                                                                                                                                                                                                                                                                                                                                                                                                                                               |           |   |           |   |           |   |          |   |          |   |           |   |          |   |           |   |           |   |         |   |       |      |        |       |
| 41: 10,3*                                                                                         | ↓                                                                                                                                                                                                                                                                                                                                                                                                                                                                                                                                                                                                                                                                      |           |   |           |   |           |   |          |   |          |   |           |   |           |   |           |   |         |   |         |   |       |      |        |       |                                                                                                                                                                                                                                                                                                                                                                                                                                                                                                                                                                                                                                                                                                                                               |           |   |           |   |           |   |          |   |          |   |           |   |          |   |           |   |           |   |         |   |       |      |        |       |
| 42: 10,6*                                                                                         | ←                                                                                                                                                                                                                                                                                                                                                                                                                                                                                                                                                                                                                                                                      |           |   |           |   |           |   |          |   |          |   |           |   |           |   |           |   |         |   |         |   |       |      |        |       |                                                                                                                                                                                                                                                                                                                                                                                                                                                                                                                                                                                                                                                                                                                                               |           |   |           |   |           |   |          |   |          |   |           |   |          |   |           |   |           |   |         |   |       |      |        |       |
| 43: 10,5*                                                                                         | ↗                                                                                                                                                                                                                                                                                                                                                                                                                                                                                                                                                                                                                                                                      |           |   |           |   |           |   |          |   |          |   |           |   |           |   |           |   |         |   |         |   |       |      |        |       |                                                                                                                                                                                                                                                                                                                                                                                                                                                                                                                                                                                                                                                                                                                                               |           |   |           |   |           |   |          |   |          |   |           |   |          |   |           |   |           |   |         |   |       |      |        |       |
| 44: 10,1                                                                                          | ↙                                                                                                                                                                                                                                                                                                                                                                                                                                                                                                                                                                                                                                                                      |           |   |           |   |           |   |          |   |          |   |           |   |           |   |           |   |         |   |         |   |       |      |        |       |                                                                                                                                                                                                                                                                                                                                                                                                                                                                                                                                                                                                                                                                                                                                               |           |   |           |   |           |   |          |   |          |   |           |   |          |   |           |   |           |   |         |   |       |      |        |       |
| 45: 10,0                                                                                          | ↗                                                                                                                                                                                                                                                                                                                                                                                                                                                                                                                                                                                                                                                                      |           |   |           |   |           |   |          |   |          |   |           |   |           |   |           |   |         |   |         |   |       |      |        |       |                                                                                                                                                                                                                                                                                                                                                                                                                                                                                                                                                                                                                                                                                                                                               |           |   |           |   |           |   |          |   |          |   |           |   |          |   |           |   |           |   |         |   |       |      |        |       |
| 46: 10,8*                                                                                         | ↓                                                                                                                                                                                                                                                                                                                                                                                                                                                                                                                                                                                                                                                                      |           |   |           |   |           |   |          |   |          |   |           |   |           |   |           |   |         |   |         |   |       |      |        |       |                                                                                                                                                                                                                                                                                                                                                                                                                                                                                                                                                                                                                                                                                                                                               |           |   |           |   |           |   |          |   |          |   |           |   |          |   |           |   |           |   |         |   |       |      |        |       |
| 47: 10,0                                                                                          | ↗                                                                                                                                                                                                                                                                                                                                                                                                                                                                                                                                                                                                                                                                      |           |   |           |   |           |   |          |   |          |   |           |   |           |   |           |   |         |   |         |   |       |      |        |       |                                                                                                                                                                                                                                                                                                                                                                                                                                                                                                                                                                                                                                                                                                                                               |           |   |           |   |           |   |          |   |          |   |           |   |          |   |           |   |           |   |         |   |       |      |        |       |
| 48: 10,3*                                                                                         | ↑                                                                                                                                                                                                                                                                                                                                                                                                                                                                                                                                                                                                                                                                      |           |   |           |   |           |   |          |   |          |   |           |   |           |   |           |   |         |   |         |   |       |      |        |       |                                                                                                                                                                                                                                                                                                                                                                                                                                                                                                                                                                                                                                                                                                                                               |           |   |           |   |           |   |          |   |          |   |           |   |          |   |           |   |           |   |         |   |       |      |        |       |
| 49: 10,2*                                                                                         | ↗                                                                                                                                                                                                                                                                                                                                                                                                                                                                                                                                                                                                                                                                      |           |   |           |   |           |   |          |   |          |   |           |   |           |   |           |   |         |   |         |   |       |      |        |       |                                                                                                                                                                                                                                                                                                                                                                                                                                                                                                                                                                                                                                                                                                                                               |           |   |           |   |           |   |          |   |          |   |           |   |          |   |           |   |           |   |         |   |       |      |        |       |
| 50: 9,8                                                                                           | ↗                                                                                                                                                                                                                                                                                                                                                                                                                                                                                                                                                                                                                                                                      |           |   |           |   |           |   |          |   |          |   |           |   |           |   |           |   |         |   |         |   |       |      |        |       |                                                                                                                                                                                                                                                                                                                                                                                                                                                                                                                                                                                                                                                                                                                                               |           |   |           |   |           |   |          |   |          |   |           |   |          |   |           |   |           |   |         |   |       |      |        |       |
| Serie                                                                                             | 99,0                                                                                                                                                                                                                                                                                                                                                                                                                                                                                                                                                                                                                                                                   |           |   |           |   |           |   |          |   |          |   |           |   |           |   |           |   |         |   |         |   |       |      |        |       |                                                                                                                                                                                                                                                                                                                                                                                                                                                                                                                                                                                                                                                                                                                                               |           |   |           |   |           |   |          |   |          |   |           |   |          |   |           |   |           |   |         |   |       |      |        |       |
| Totalt                                                                                            | 495,0                                                                                                                                                                                                                                                                                                                                                                                                                                                                                                                                                                                                                                                                  |           |   |           |   |           |   |          |   |          |   |           |   |           |   |           |   |         |   |         |   |       |      |        |       |                                                                                                                                                                                                                                                                                                                                                                                                                                                                                                                                                                                                                                                                                                                                               |           |   |           |   |           |   |          |   |          |   |           |   |          |   |           |   |           |   |         |   |       |      |        |       |

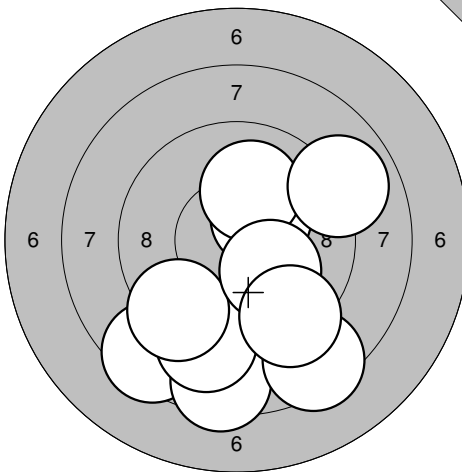
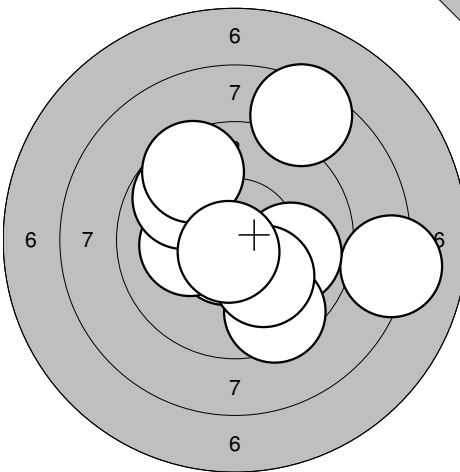
|                                                                                                   |                                                                                                                                                                                                                                                                                                                                                                                                                                                                                                                                                                                                                                                             |           |   |           |   |           |   |           |   |          |   |          |   |           |   |           |   |          |   |           |   |       |       |        |       |  |
|---------------------------------------------------------------------------------------------------|-------------------------------------------------------------------------------------------------------------------------------------------------------------------------------------------------------------------------------------------------------------------------------------------------------------------------------------------------------------------------------------------------------------------------------------------------------------------------------------------------------------------------------------------------------------------------------------------------------------------------------------------------------------|-----------|---|-----------|---|-----------|---|-----------|---|----------|---|----------|---|-----------|---|-----------|---|----------|---|-----------|---|-------|-------|--------|-------|--|
| <p>60 shot</p>  | <table style="width:100%; border-collapse: collapse;"> <tr><td>51: 10,6*</td><td>↙</td></tr> <tr><td>52: 10,5*</td><td>↑</td></tr> <tr><td>53: 10,3*</td><td>↗</td></tr> <tr><td>54: 10,2*</td><td>↗</td></tr> <tr><td>55: 10,1</td><td>↑</td></tr> <tr><td>56: 10,0</td><td>→</td></tr> <tr><td>57: 10,7*</td><td>↓</td></tr> <tr><td>58: 10,2*</td><td>↙</td></tr> <tr><td>59: 10,1</td><td>→</td></tr> <tr><td>60: 10,5*</td><td>↗</td></tr> </table> <table style="width:100%; border-collapse: collapse;"> <tr><td>Serie</td><td style="text-align: right;">100,0</td></tr> <tr><td>Totalt</td><td style="text-align: right;">595,0</td></tr> </table> | 51: 10,6* | ↙ | 52: 10,5* | ↑ | 53: 10,3* | ↗ | 54: 10,2* | ↗ | 55: 10,1 | ↑ | 56: 10,0 | → | 57: 10,7* | ↓ | 58: 10,2* | ↙ | 59: 10,1 | → | 60: 10,5* | ↗ | Serie | 100,0 | Totalt | 595,0 |  |
| 51: 10,6*                                                                                         | ↙                                                                                                                                                                                                                                                                                                                                                                                                                                                                                                                                                                                                                                                           |           |   |           |   |           |   |           |   |          |   |          |   |           |   |           |   |          |   |           |   |       |       |        |       |  |
| 52: 10,5*                                                                                         | ↑                                                                                                                                                                                                                                                                                                                                                                                                                                                                                                                                                                                                                                                           |           |   |           |   |           |   |           |   |          |   |          |   |           |   |           |   |          |   |           |   |       |       |        |       |  |
| 53: 10,3*                                                                                         | ↗                                                                                                                                                                                                                                                                                                                                                                                                                                                                                                                                                                                                                                                           |           |   |           |   |           |   |           |   |          |   |          |   |           |   |           |   |          |   |           |   |       |       |        |       |  |
| 54: 10,2*                                                                                         | ↗                                                                                                                                                                                                                                                                                                                                                                                                                                                                                                                                                                                                                                                           |           |   |           |   |           |   |           |   |          |   |          |   |           |   |           |   |          |   |           |   |       |       |        |       |  |
| 55: 10,1                                                                                          | ↑                                                                                                                                                                                                                                                                                                                                                                                                                                                                                                                                                                                                                                                           |           |   |           |   |           |   |           |   |          |   |          |   |           |   |           |   |          |   |           |   |       |       |        |       |  |
| 56: 10,0                                                                                          | →                                                                                                                                                                                                                                                                                                                                                                                                                                                                                                                                                                                                                                                           |           |   |           |   |           |   |           |   |          |   |          |   |           |   |           |   |          |   |           |   |       |       |        |       |  |
| 57: 10,7*                                                                                         | ↓                                                                                                                                                                                                                                                                                                                                                                                                                                                                                                                                                                                                                                                           |           |   |           |   |           |   |           |   |          |   |          |   |           |   |           |   |          |   |           |   |       |       |        |       |  |
| 58: 10,2*                                                                                         | ↙                                                                                                                                                                                                                                                                                                                                                                                                                                                                                                                                                                                                                                                           |           |   |           |   |           |   |           |   |          |   |          |   |           |   |           |   |          |   |           |   |       |       |        |       |  |
| 59: 10,1                                                                                          | →                                                                                                                                                                                                                                                                                                                                                                                                                                                                                                                                                                                                                                                           |           |   |           |   |           |   |           |   |          |   |          |   |           |   |           |   |          |   |           |   |       |       |        |       |  |
| 60: 10,5*                                                                                         | ↗                                                                                                                                                                                                                                                                                                                                                                                                                                                                                                                                                                                                                                                           |           |   |           |   |           |   |           |   |          |   |          |   |           |   |           |   |          |   |           |   |       |       |        |       |  |
| Serie                                                                                             | 100,0                                                                                                                                                                                                                                                                                                                                                                                                                                                                                                                                                                                                                                                       |           |   |           |   |           |   |           |   |          |   |          |   |           |   |           |   |          |   |           |   |       |       |        |       |  |
| Totalt                                                                                            | 595,0                                                                                                                                                                                                                                                                                                                                                                                                                                                                                                                                                                                                                                                       |           |   |           |   |           |   |           |   |          |   |          |   |           |   |           |   |          |   |           |   |       |       |        |       |  |

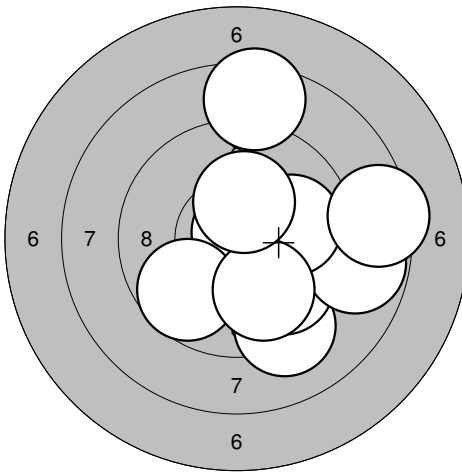
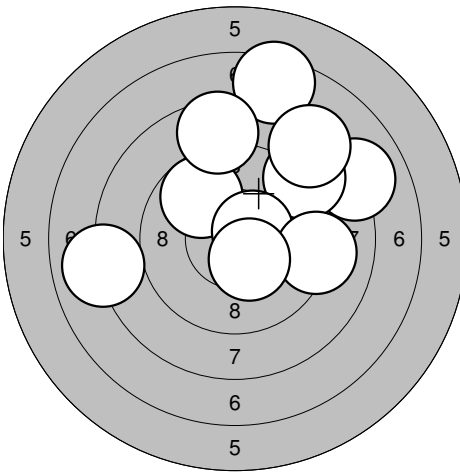
|                                                                                           |                                                                                             |                                                                                                                                                                                                                                                                                                                                                                                                                                                                                                                                                                                                                                                                                                                                                                                                                                                                                 |         |   |          |   |           |   |          |   |            |   |            |   |        |   |         |   |          |   |           |   |            |  |            |  |
|-------------------------------------------------------------------------------------------|---------------------------------------------------------------------------------------------|---------------------------------------------------------------------------------------------------------------------------------------------------------------------------------------------------------------------------------------------------------------------------------------------------------------------------------------------------------------------------------------------------------------------------------------------------------------------------------------------------------------------------------------------------------------------------------------------------------------------------------------------------------------------------------------------------------------------------------------------------------------------------------------------------------------------------------------------------------------------------------|---------|---|----------|---|-----------|---|----------|---|------------|---|------------|---|--------|---|---------|---|----------|---|-----------|---|------------|--|------------|--|
| Sight<br> | Sight<br> | <table style="width:100%; border-collapse: collapse;"> <tr><td>1: 9,7</td><td style="text-align: right;">←</td></tr> <tr><td>2: 9,7</td><td style="text-align: right;">↖</td></tr> <tr><td>3: 8,9</td><td style="text-align: right;">↑</td></tr> <tr><td>4: 10,6*</td><td style="text-align: right;">→</td></tr> <tr><td>5: 9,0</td><td style="text-align: right;">↗</td></tr> <tr><td>6: 9,9</td><td style="text-align: right;">↗</td></tr> <tr><td>7: 9,7</td><td style="text-align: right;">↖</td></tr> <tr><td>8: 10,0</td><td style="text-align: right;">←</td></tr> <tr><td>9: 10,4*</td><td style="text-align: right;">↑</td></tr> <tr><td>10: 10,3*</td><td style="text-align: right;">↘</td></tr> <tr><td colspan="2" style="border-top: 1px solid black;">Serie 93,0</td></tr> <tr><td colspan="2" style="border-top: 1px solid black;">Totalt 0,0</td></tr> </table> | 1: 9,7  | ← | 2: 9,7   | ↖ | 3: 8,9    | ↑ | 4: 10,6* | → | 5: 9,0     | ↗ | 6: 9,9     | ↗ | 7: 9,7 | ↖ | 8: 10,0 | ← | 9: 10,4* | ↑ | 10: 10,3* | ↘ | Serie 93,0 |  | Totalt 0,0 |  |
| 1: 9,7                                                                                    | ←                                                                                           |                                                                                                                                                                                                                                                                                                                                                                                                                                                                                                                                                                                                                                                                                                                                                                                                                                                                                 |         |   |          |   |           |   |          |   |            |   |            |   |        |   |         |   |          |   |           |   |            |  |            |  |
| 2: 9,7                                                                                    | ↖                                                                                           |                                                                                                                                                                                                                                                                                                                                                                                                                                                                                                                                                                                                                                                                                                                                                                                                                                                                                 |         |   |          |   |           |   |          |   |            |   |            |   |        |   |         |   |          |   |           |   |            |  |            |  |
| 3: 8,9                                                                                    | ↑                                                                                           |                                                                                                                                                                                                                                                                                                                                                                                                                                                                                                                                                                                                                                                                                                                                                                                                                                                                                 |         |   |          |   |           |   |          |   |            |   |            |   |        |   |         |   |          |   |           |   |            |  |            |  |
| 4: 10,6*                                                                                  | →                                                                                           |                                                                                                                                                                                                                                                                                                                                                                                                                                                                                                                                                                                                                                                                                                                                                                                                                                                                                 |         |   |          |   |           |   |          |   |            |   |            |   |        |   |         |   |          |   |           |   |            |  |            |  |
| 5: 9,0                                                                                    | ↗                                                                                           |                                                                                                                                                                                                                                                                                                                                                                                                                                                                                                                                                                                                                                                                                                                                                                                                                                                                                 |         |   |          |   |           |   |          |   |            |   |            |   |        |   |         |   |          |   |           |   |            |  |            |  |
| 6: 9,9                                                                                    | ↗                                                                                           |                                                                                                                                                                                                                                                                                                                                                                                                                                                                                                                                                                                                                                                                                                                                                                                                                                                                                 |         |   |          |   |           |   |          |   |            |   |            |   |        |   |         |   |          |   |           |   |            |  |            |  |
| 7: 9,7                                                                                    | ↖                                                                                           |                                                                                                                                                                                                                                                                                                                                                                                                                                                                                                                                                                                                                                                                                                                                                                                                                                                                                 |         |   |          |   |           |   |          |   |            |   |            |   |        |   |         |   |          |   |           |   |            |  |            |  |
| 8: 10,0                                                                                   | ←                                                                                           |                                                                                                                                                                                                                                                                                                                                                                                                                                                                                                                                                                                                                                                                                                                                                                                                                                                                                 |         |   |          |   |           |   |          |   |            |   |            |   |        |   |         |   |          |   |           |   |            |  |            |  |
| 9: 10,4*                                                                                  | ↑                                                                                           |                                                                                                                                                                                                                                                                                                                                                                                                                                                                                                                                                                                                                                                                                                                                                                                                                                                                                 |         |   |          |   |           |   |          |   |            |   |            |   |        |   |         |   |          |   |           |   |            |  |            |  |
| 10: 10,3*                                                                                 | ↘                                                                                           |                                                                                                                                                                                                                                                                                                                                                                                                                                                                                                                                                                                                                                                                                                                                                                                                                                                                                 |         |   |          |   |           |   |          |   |            |   |            |   |        |   |         |   |          |   |           |   |            |  |            |  |
| Serie 93,0                                                                                |                                                                                             |                                                                                                                                                                                                                                                                                                                                                                                                                                                                                                                                                                                                                                                                                                                                                                                                                                                                                 |         |   |          |   |           |   |          |   |            |   |            |   |        |   |         |   |          |   |           |   |            |  |            |  |
| Totalt 0,0                                                                                |                                                                                             |                                                                                                                                                                                                                                                                                                                                                                                                                                                                                                                                                                                                                                                                                                                                                                                                                                                                                 |         |   |          |   |           |   |          |   |            |   |            |   |        |   |         |   |          |   |           |   |            |  |            |  |
|                                                                                           |                                                                                             | <table style="width:100%; border-collapse: collapse;"> <tr><td>11: 9,9</td><td style="text-align: right;">→</td></tr> <tr><td>12: 10,1</td><td style="text-align: right;">↑</td></tr> <tr><td>13: 10,2*</td><td style="text-align: right;">↗</td></tr> <tr><td>14: 9,8</td><td style="text-align: right;">→</td></tr> <tr><td colspan="2" style="border-top: 1px solid black;">Serie 38,0</td></tr> <tr><td colspan="2" style="border-top: 1px solid black;">Totalt 0,0</td></tr> </table>                                                                                                                                                                                                                                                                                                                                                                                      | 11: 9,9 | → | 12: 10,1 | ↑ | 13: 10,2* | ↗ | 14: 9,8  | → | Serie 38,0 |   | Totalt 0,0 |   |        |   |         |   |          |   |           |   |            |  |            |  |
| 11: 9,9                                                                                   | →                                                                                           |                                                                                                                                                                                                                                                                                                                                                                                                                                                                                                                                                                                                                                                                                                                                                                                                                                                                                 |         |   |          |   |           |   |          |   |            |   |            |   |        |   |         |   |          |   |           |   |            |  |            |  |
| 12: 10,1                                                                                  | ↑                                                                                           |                                                                                                                                                                                                                                                                                                                                                                                                                                                                                                                                                                                                                                                                                                                                                                                                                                                                                 |         |   |          |   |           |   |          |   |            |   |            |   |        |   |         |   |          |   |           |   |            |  |            |  |
| 13: 10,2*                                                                                 | ↗                                                                                           |                                                                                                                                                                                                                                                                                                                                                                                                                                                                                                                                                                                                                                                                                                                                                                                                                                                                                 |         |   |          |   |           |   |          |   |            |   |            |   |        |   |         |   |          |   |           |   |            |  |            |  |
| 14: 9,8                                                                                   | →                                                                                           |                                                                                                                                                                                                                                                                                                                                                                                                                                                                                                                                                                                                                                                                                                                                                                                                                                                                                 |         |   |          |   |           |   |          |   |            |   |            |   |        |   |         |   |          |   |           |   |            |  |            |  |
| Serie 38,0                                                                                |                                                                                             |                                                                                                                                                                                                                                                                                                                                                                                                                                                                                                                                                                                                                                                                                                                                                                                                                                                                                 |         |   |          |   |           |   |          |   |            |   |            |   |        |   |         |   |          |   |           |   |            |  |            |  |
| Totalt 0,0                                                                                |                                                                                             |                                                                                                                                                                                                                                                                                                                                                                                                                                                                                                                                                                                                                                                                                                                                                                                                                                                                                 |         |   |          |   |           |   |          |   |            |   |            |   |        |   |         |   |          |   |           |   |            |  |            |  |

|                                                                                              |                                                                                                |                                                                                                                                                                                                                                                                                                                                                                                                                                                                                                                                                                                                                                                                                                                                                                                                                                                                                                      |           |   |           |   |          |   |           |   |           |   |           |   |           |   |           |   |           |   |           |   |            |  |              |  |
|----------------------------------------------------------------------------------------------|------------------------------------------------------------------------------------------------|------------------------------------------------------------------------------------------------------------------------------------------------------------------------------------------------------------------------------------------------------------------------------------------------------------------------------------------------------------------------------------------------------------------------------------------------------------------------------------------------------------------------------------------------------------------------------------------------------------------------------------------------------------------------------------------------------------------------------------------------------------------------------------------------------------------------------------------------------------------------------------------------------|-----------|---|-----------|---|----------|---|-----------|---|-----------|---|-----------|---|-----------|---|-----------|---|-----------|---|-----------|---|------------|--|--------------|--|
| 60 shot<br> | 60 shot<br> | <table style="width:100%; border-collapse: collapse;"> <tr><td>1: 9,7</td><td style="text-align: right;">↗</td></tr> <tr><td>2: 10,3*</td><td style="text-align: right;">↖</td></tr> <tr><td>3: 10,5*</td><td style="text-align: right;">↗</td></tr> <tr><td>4: 10,7*</td><td style="text-align: right;">↘</td></tr> <tr><td>5: 9,6</td><td style="text-align: right;">→</td></tr> <tr><td>6: 9,8</td><td style="text-align: right;">↑</td></tr> <tr><td>7: 10,2*</td><td style="text-align: right;">→</td></tr> <tr><td>8: 10,6*</td><td style="text-align: right;">↑</td></tr> <tr><td>9: 9,4</td><td style="text-align: right;">↖</td></tr> <tr><td>10: 10,4*</td><td style="text-align: right;">→</td></tr> <tr><td colspan="2" style="border-top: 1px solid black;">Serie 96,0</td></tr> <tr><td colspan="2" style="border-top: 1px solid black;">Totalt 96,0</td></tr> </table>                | 1: 9,7    | ↗ | 2: 10,3*  | ↖ | 3: 10,5* | ↗ | 4: 10,7*  | ↘ | 5: 9,6    | → | 6: 9,8    | ↑ | 7: 10,2*  | → | 8: 10,6*  | ↑ | 9: 9,4    | ↖ | 10: 10,4* | → | Serie 96,0 |  | Totalt 96,0  |  |
| 1: 9,7                                                                                       | ↗                                                                                              |                                                                                                                                                                                                                                                                                                                                                                                                                                                                                                                                                                                                                                                                                                                                                                                                                                                                                                      |           |   |           |   |          |   |           |   |           |   |           |   |           |   |           |   |           |   |           |   |            |  |              |  |
| 2: 10,3*                                                                                     | ↖                                                                                              |                                                                                                                                                                                                                                                                                                                                                                                                                                                                                                                                                                                                                                                                                                                                                                                                                                                                                                      |           |   |           |   |          |   |           |   |           |   |           |   |           |   |           |   |           |   |           |   |            |  |              |  |
| 3: 10,5*                                                                                     | ↗                                                                                              |                                                                                                                                                                                                                                                                                                                                                                                                                                                                                                                                                                                                                                                                                                                                                                                                                                                                                                      |           |   |           |   |          |   |           |   |           |   |           |   |           |   |           |   |           |   |           |   |            |  |              |  |
| 4: 10,7*                                                                                     | ↘                                                                                              |                                                                                                                                                                                                                                                                                                                                                                                                                                                                                                                                                                                                                                                                                                                                                                                                                                                                                                      |           |   |           |   |          |   |           |   |           |   |           |   |           |   |           |   |           |   |           |   |            |  |              |  |
| 5: 9,6                                                                                       | →                                                                                              |                                                                                                                                                                                                                                                                                                                                                                                                                                                                                                                                                                                                                                                                                                                                                                                                                                                                                                      |           |   |           |   |          |   |           |   |           |   |           |   |           |   |           |   |           |   |           |   |            |  |              |  |
| 6: 9,8                                                                                       | ↑                                                                                              |                                                                                                                                                                                                                                                                                                                                                                                                                                                                                                                                                                                                                                                                                                                                                                                                                                                                                                      |           |   |           |   |          |   |           |   |           |   |           |   |           |   |           |   |           |   |           |   |            |  |              |  |
| 7: 10,2*                                                                                     | →                                                                                              |                                                                                                                                                                                                                                                                                                                                                                                                                                                                                                                                                                                                                                                                                                                                                                                                                                                                                                      |           |   |           |   |          |   |           |   |           |   |           |   |           |   |           |   |           |   |           |   |            |  |              |  |
| 8: 10,6*                                                                                     | ↑                                                                                              |                                                                                                                                                                                                                                                                                                                                                                                                                                                                                                                                                                                                                                                                                                                                                                                                                                                                                                      |           |   |           |   |          |   |           |   |           |   |           |   |           |   |           |   |           |   |           |   |            |  |              |  |
| 9: 9,4                                                                                       | ↖                                                                                              |                                                                                                                                                                                                                                                                                                                                                                                                                                                                                                                                                                                                                                                                                                                                                                                                                                                                                                      |           |   |           |   |          |   |           |   |           |   |           |   |           |   |           |   |           |   |           |   |            |  |              |  |
| 10: 10,4*                                                                                    | →                                                                                              |                                                                                                                                                                                                                                                                                                                                                                                                                                                                                                                                                                                                                                                                                                                                                                                                                                                                                                      |           |   |           |   |          |   |           |   |           |   |           |   |           |   |           |   |           |   |           |   |            |  |              |  |
| Serie 96,0                                                                                   |                                                                                                |                                                                                                                                                                                                                                                                                                                                                                                                                                                                                                                                                                                                                                                                                                                                                                                                                                                                                                      |           |   |           |   |          |   |           |   |           |   |           |   |           |   |           |   |           |   |           |   |            |  |              |  |
| Totalt 96,0                                                                                  |                                                                                                |                                                                                                                                                                                                                                                                                                                                                                                                                                                                                                                                                                                                                                                                                                                                                                                                                                                                                                      |           |   |           |   |          |   |           |   |           |   |           |   |           |   |           |   |           |   |           |   |            |  |              |  |
|                                                                                              |                                                                                                | <table style="width:100%; border-collapse: collapse;"> <tr><td>11: 10,3*</td><td style="text-align: right;">↑</td></tr> <tr><td>12: 10,3*</td><td style="text-align: right;">↘</td></tr> <tr><td>13: 10,0</td><td style="text-align: right;">↘</td></tr> <tr><td>14: 10,4*</td><td style="text-align: right;">↘</td></tr> <tr><td>15: 10,5*</td><td style="text-align: right;">↗</td></tr> <tr><td>16: 10,2*</td><td style="text-align: right;">↖</td></tr> <tr><td>17: 10,3*</td><td style="text-align: right;">↘</td></tr> <tr><td>18: 10,6*</td><td style="text-align: right;">→</td></tr> <tr><td>19: 10,7*</td><td style="text-align: right;">↗</td></tr> <tr><td>20: 9,3</td><td style="text-align: right;">→</td></tr> <tr><td colspan="2" style="border-top: 1px solid black;">Serie 99,0</td></tr> <tr><td colspan="2" style="border-top: 1px solid black;">Totalt 195,0</td></tr> </table> | 11: 10,3* | ↑ | 12: 10,3* | ↘ | 13: 10,0 | ↘ | 14: 10,4* | ↘ | 15: 10,5* | ↗ | 16: 10,2* | ↖ | 17: 10,3* | ↘ | 18: 10,6* | → | 19: 10,7* | ↗ | 20: 9,3   | → | Serie 99,0 |  | Totalt 195,0 |  |
| 11: 10,3*                                                                                    | ↑                                                                                              |                                                                                                                                                                                                                                                                                                                                                                                                                                                                                                                                                                                                                                                                                                                                                                                                                                                                                                      |           |   |           |   |          |   |           |   |           |   |           |   |           |   |           |   |           |   |           |   |            |  |              |  |
| 12: 10,3*                                                                                    | ↘                                                                                              |                                                                                                                                                                                                                                                                                                                                                                                                                                                                                                                                                                                                                                                                                                                                                                                                                                                                                                      |           |   |           |   |          |   |           |   |           |   |           |   |           |   |           |   |           |   |           |   |            |  |              |  |
| 13: 10,0                                                                                     | ↘                                                                                              |                                                                                                                                                                                                                                                                                                                                                                                                                                                                                                                                                                                                                                                                                                                                                                                                                                                                                                      |           |   |           |   |          |   |           |   |           |   |           |   |           |   |           |   |           |   |           |   |            |  |              |  |
| 14: 10,4*                                                                                    | ↘                                                                                              |                                                                                                                                                                                                                                                                                                                                                                                                                                                                                                                                                                                                                                                                                                                                                                                                                                                                                                      |           |   |           |   |          |   |           |   |           |   |           |   |           |   |           |   |           |   |           |   |            |  |              |  |
| 15: 10,5*                                                                                    | ↗                                                                                              |                                                                                                                                                                                                                                                                                                                                                                                                                                                                                                                                                                                                                                                                                                                                                                                                                                                                                                      |           |   |           |   |          |   |           |   |           |   |           |   |           |   |           |   |           |   |           |   |            |  |              |  |
| 16: 10,2*                                                                                    | ↖                                                                                              |                                                                                                                                                                                                                                                                                                                                                                                                                                                                                                                                                                                                                                                                                                                                                                                                                                                                                                      |           |   |           |   |          |   |           |   |           |   |           |   |           |   |           |   |           |   |           |   |            |  |              |  |
| 17: 10,3*                                                                                    | ↘                                                                                              |                                                                                                                                                                                                                                                                                                                                                                                                                                                                                                                                                                                                                                                                                                                                                                                                                                                                                                      |           |   |           |   |          |   |           |   |           |   |           |   |           |   |           |   |           |   |           |   |            |  |              |  |
| 18: 10,6*                                                                                    | →                                                                                              |                                                                                                                                                                                                                                                                                                                                                                                                                                                                                                                                                                                                                                                                                                                                                                                                                                                                                                      |           |   |           |   |          |   |           |   |           |   |           |   |           |   |           |   |           |   |           |   |            |  |              |  |
| 19: 10,7*                                                                                    | ↗                                                                                              |                                                                                                                                                                                                                                                                                                                                                                                                                                                                                                                                                                                                                                                                                                                                                                                                                                                                                                      |           |   |           |   |          |   |           |   |           |   |           |   |           |   |           |   |           |   |           |   |            |  |              |  |
| 20: 9,3                                                                                      | →                                                                                              |                                                                                                                                                                                                                                                                                                                                                                                                                                                                                                                                                                                                                                                                                                                                                                                                                                                                                                      |           |   |           |   |          |   |           |   |           |   |           |   |           |   |           |   |           |   |           |   |            |  |              |  |
| Serie 99,0                                                                                   |                                                                                                |                                                                                                                                                                                                                                                                                                                                                                                                                                                                                                                                                                                                                                                                                                                                                                                                                                                                                                      |           |   |           |   |          |   |           |   |           |   |           |   |           |   |           |   |           |   |           |   |            |  |              |  |
| Totalt 195,0                                                                                 |                                                                                                |                                                                                                                                                                                                                                                                                                                                                                                                                                                                                                                                                                                                                                                                                                                                                                                                                                                                                                      |           |   |           |   |          |   |           |   |           |   |           |   |           |   |           |   |           |   |           |   |            |  |              |  |

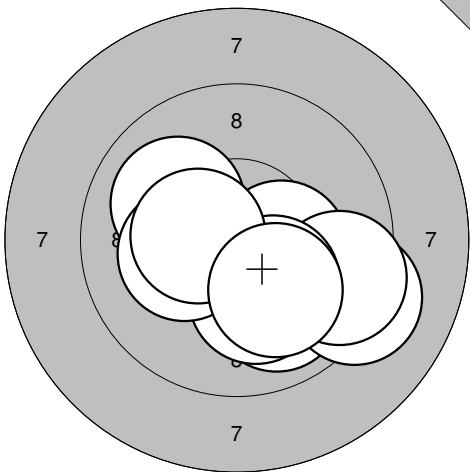
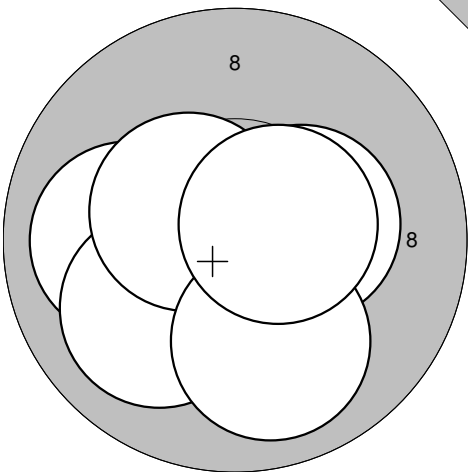
|                                                                                               |                                                                                                 |                                                                                                                                                                                                                                                                                                                                                                                                                                                                                                                                                                                                                                                                                                                                                                                                                                                                                                  |           |   |           |   |           |   |           |   |           |   |           |   |           |   |           |   |          |   |         |   |            |  |              |  |
|-----------------------------------------------------------------------------------------------|-------------------------------------------------------------------------------------------------|--------------------------------------------------------------------------------------------------------------------------------------------------------------------------------------------------------------------------------------------------------------------------------------------------------------------------------------------------------------------------------------------------------------------------------------------------------------------------------------------------------------------------------------------------------------------------------------------------------------------------------------------------------------------------------------------------------------------------------------------------------------------------------------------------------------------------------------------------------------------------------------------------|-----------|---|-----------|---|-----------|---|-----------|---|-----------|---|-----------|---|-----------|---|-----------|---|----------|---|---------|---|------------|--|--------------|--|
| 60 shot<br> | 60 shot<br> | <table style="width:100%; border-collapse: collapse;"> <tr><td>21: 10,4*</td><td style="text-align: right;">↘</td></tr> <tr><td>22: 10,2*</td><td style="text-align: right;">↑</td></tr> <tr><td>23: 10,2*</td><td style="text-align: right;">↖</td></tr> <tr><td>24: 10,8*</td><td style="text-align: right;">↖</td></tr> <tr><td>25: 10,7*</td><td style="text-align: right;">→</td></tr> <tr><td>26: 9,3</td><td style="text-align: right;">→</td></tr> <tr><td>27: 10,2*</td><td style="text-align: right;">↑</td></tr> <tr><td>28: 10,1</td><td style="text-align: right;">↑</td></tr> <tr><td>29: 9,7</td><td style="text-align: right;">→</td></tr> <tr><td>30: 9,8</td><td style="text-align: right;">↖</td></tr> <tr><td colspan="2" style="border-top: 1px solid black;">Serie 97,0</td></tr> <tr><td colspan="2" style="border-top: 1px solid black;">Totalt 292,0</td></tr> </table> | 21: 10,4* | ↘ | 22: 10,2* | ↑ | 23: 10,2* | ↖ | 24: 10,8* | ↖ | 25: 10,7* | → | 26: 9,3   | → | 27: 10,2* | ↑ | 28: 10,1  | ↑ | 29: 9,7  | → | 30: 9,8 | ↖ | Serie 97,0 |  | Totalt 292,0 |  |
| 21: 10,4*                                                                                     | ↘                                                                                               |                                                                                                                                                                                                                                                                                                                                                                                                                                                                                                                                                                                                                                                                                                                                                                                                                                                                                                  |           |   |           |   |           |   |           |   |           |   |           |   |           |   |           |   |          |   |         |   |            |  |              |  |
| 22: 10,2*                                                                                     | ↑                                                                                               |                                                                                                                                                                                                                                                                                                                                                                                                                                                                                                                                                                                                                                                                                                                                                                                                                                                                                                  |           |   |           |   |           |   |           |   |           |   |           |   |           |   |           |   |          |   |         |   |            |  |              |  |
| 23: 10,2*                                                                                     | ↖                                                                                               |                                                                                                                                                                                                                                                                                                                                                                                                                                                                                                                                                                                                                                                                                                                                                                                                                                                                                                  |           |   |           |   |           |   |           |   |           |   |           |   |           |   |           |   |          |   |         |   |            |  |              |  |
| 24: 10,8*                                                                                     | ↖                                                                                               |                                                                                                                                                                                                                                                                                                                                                                                                                                                                                                                                                                                                                                                                                                                                                                                                                                                                                                  |           |   |           |   |           |   |           |   |           |   |           |   |           |   |           |   |          |   |         |   |            |  |              |  |
| 25: 10,7*                                                                                     | →                                                                                               |                                                                                                                                                                                                                                                                                                                                                                                                                                                                                                                                                                                                                                                                                                                                                                                                                                                                                                  |           |   |           |   |           |   |           |   |           |   |           |   |           |   |           |   |          |   |         |   |            |  |              |  |
| 26: 9,3                                                                                       | →                                                                                               |                                                                                                                                                                                                                                                                                                                                                                                                                                                                                                                                                                                                                                                                                                                                                                                                                                                                                                  |           |   |           |   |           |   |           |   |           |   |           |   |           |   |           |   |          |   |         |   |            |  |              |  |
| 27: 10,2*                                                                                     | ↑                                                                                               |                                                                                                                                                                                                                                                                                                                                                                                                                                                                                                                                                                                                                                                                                                                                                                                                                                                                                                  |           |   |           |   |           |   |           |   |           |   |           |   |           |   |           |   |          |   |         |   |            |  |              |  |
| 28: 10,1                                                                                      | ↑                                                                                               |                                                                                                                                                                                                                                                                                                                                                                                                                                                                                                                                                                                                                                                                                                                                                                                                                                                                                                  |           |   |           |   |           |   |           |   |           |   |           |   |           |   |           |   |          |   |         |   |            |  |              |  |
| 29: 9,7                                                                                       | →                                                                                               |                                                                                                                                                                                                                                                                                                                                                                                                                                                                                                                                                                                                                                                                                                                                                                                                                                                                                                  |           |   |           |   |           |   |           |   |           |   |           |   |           |   |           |   |          |   |         |   |            |  |              |  |
| 30: 9,8                                                                                       | ↖                                                                                               |                                                                                                                                                                                                                                                                                                                                                                                                                                                                                                                                                                                                                                                                                                                                                                                                                                                                                                  |           |   |           |   |           |   |           |   |           |   |           |   |           |   |           |   |          |   |         |   |            |  |              |  |
| Serie 97,0                                                                                    |                                                                                                 |                                                                                                                                                                                                                                                                                                                                                                                                                                                                                                                                                                                                                                                                                                                                                                                                                                                                                                  |           |   |           |   |           |   |           |   |           |   |           |   |           |   |           |   |          |   |         |   |            |  |              |  |
| Totalt 292,0                                                                                  |                                                                                                 |                                                                                                                                                                                                                                                                                                                                                                                                                                                                                                                                                                                                                                                                                                                                                                                                                                                                                                  |           |   |           |   |           |   |           |   |           |   |           |   |           |   |           |   |          |   |         |   |            |  |              |  |
|                                                                                               |                                                                                                 | <table style="width:100%; border-collapse: collapse;"> <tr><td>31: 9,6</td><td style="text-align: right;">→</td></tr> <tr><td>32: 10,3*</td><td style="text-align: right;">↗</td></tr> <tr><td>33: 9,8</td><td style="text-align: right;">↑</td></tr> <tr><td>34: 9,8</td><td style="text-align: right;">→</td></tr> <tr><td>35: 10,9*</td><td style="text-align: right;">↗</td></tr> <tr><td>36: 10,4*</td><td style="text-align: right;">↘</td></tr> <tr><td>37: 10,4*</td><td style="text-align: right;">↗</td></tr> <tr><td>38: 10,3*</td><td style="text-align: right;">↑</td></tr> <tr><td>39: 10,0</td><td style="text-align: right;">↘</td></tr> <tr><td>40: 9,5</td><td style="text-align: right;">↖</td></tr> <tr><td colspan="2" style="border-top: 1px solid black;">Serie 96,0</td></tr> <tr><td colspan="2" style="border-top: 1px solid black;">Totalt 388,0</td></tr> </table>   | 31: 9,6   | → | 32: 10,3* | ↗ | 33: 9,8   | ↑ | 34: 9,8   | → | 35: 10,9* | ↗ | 36: 10,4* | ↘ | 37: 10,4* | ↗ | 38: 10,3* | ↑ | 39: 10,0 | ↘ | 40: 9,5 | ↖ | Serie 96,0 |  | Totalt 388,0 |  |
| 31: 9,6                                                                                       | →                                                                                               |                                                                                                                                                                                                                                                                                                                                                                                                                                                                                                                                                                                                                                                                                                                                                                                                                                                                                                  |           |   |           |   |           |   |           |   |           |   |           |   |           |   |           |   |          |   |         |   |            |  |              |  |
| 32: 10,3*                                                                                     | ↗                                                                                               |                                                                                                                                                                                                                                                                                                                                                                                                                                                                                                                                                                                                                                                                                                                                                                                                                                                                                                  |           |   |           |   |           |   |           |   |           |   |           |   |           |   |           |   |          |   |         |   |            |  |              |  |
| 33: 9,8                                                                                       | ↑                                                                                               |                                                                                                                                                                                                                                                                                                                                                                                                                                                                                                                                                                                                                                                                                                                                                                                                                                                                                                  |           |   |           |   |           |   |           |   |           |   |           |   |           |   |           |   |          |   |         |   |            |  |              |  |
| 34: 9,8                                                                                       | →                                                                                               |                                                                                                                                                                                                                                                                                                                                                                                                                                                                                                                                                                                                                                                                                                                                                                                                                                                                                                  |           |   |           |   |           |   |           |   |           |   |           |   |           |   |           |   |          |   |         |   |            |  |              |  |
| 35: 10,9*                                                                                     | ↗                                                                                               |                                                                                                                                                                                                                                                                                                                                                                                                                                                                                                                                                                                                                                                                                                                                                                                                                                                                                                  |           |   |           |   |           |   |           |   |           |   |           |   |           |   |           |   |          |   |         |   |            |  |              |  |
| 36: 10,4*                                                                                     | ↘                                                                                               |                                                                                                                                                                                                                                                                                                                                                                                                                                                                                                                                                                                                                                                                                                                                                                                                                                                                                                  |           |   |           |   |           |   |           |   |           |   |           |   |           |   |           |   |          |   |         |   |            |  |              |  |
| 37: 10,4*                                                                                     | ↗                                                                                               |                                                                                                                                                                                                                                                                                                                                                                                                                                                                                                                                                                                                                                                                                                                                                                                                                                                                                                  |           |   |           |   |           |   |           |   |           |   |           |   |           |   |           |   |          |   |         |   |            |  |              |  |
| 38: 10,3*                                                                                     | ↑                                                                                               |                                                                                                                                                                                                                                                                                                                                                                                                                                                                                                                                                                                                                                                                                                                                                                                                                                                                                                  |           |   |           |   |           |   |           |   |           |   |           |   |           |   |           |   |          |   |         |   |            |  |              |  |
| 39: 10,0                                                                                      | ↘                                                                                               |                                                                                                                                                                                                                                                                                                                                                                                                                                                                                                                                                                                                                                                                                                                                                                                                                                                                                                  |           |   |           |   |           |   |           |   |           |   |           |   |           |   |           |   |          |   |         |   |            |  |              |  |
| 40: 9,5                                                                                       | ↖                                                                                               |                                                                                                                                                                                                                                                                                                                                                                                                                                                                                                                                                                                                                                                                                                                                                                                                                                                                                                  |           |   |           |   |           |   |           |   |           |   |           |   |           |   |           |   |          |   |         |   |            |  |              |  |
| Serie 96,0                                                                                    |                                                                                                 |                                                                                                                                                                                                                                                                                                                                                                                                                                                                                                                                                                                                                                                                                                                                                                                                                                                                                                  |           |   |           |   |           |   |           |   |           |   |           |   |           |   |           |   |          |   |         |   |            |  |              |  |
| Totalt 388,0                                                                                  |                                                                                                 |                                                                                                                                                                                                                                                                                                                                                                                                                                                                                                                                                                                                                                                                                                                                                                                                                                                                                                  |           |   |           |   |           |   |           |   |           |   |           |   |           |   |           |   |          |   |         |   |            |  |              |  |

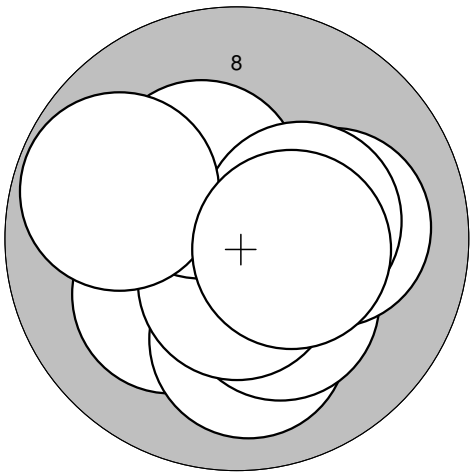
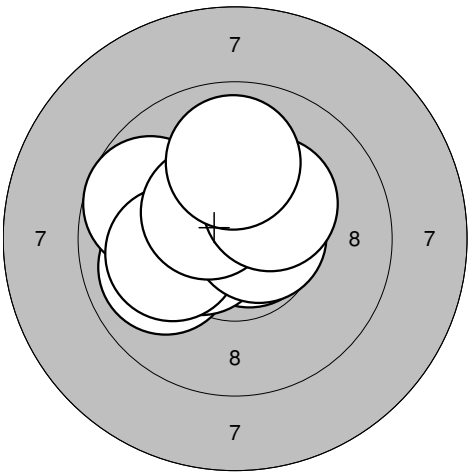
|                                                                                               |                                                                                                 |                                                                                                                                                                                                                                                                                                                                                                                                                                                                                                                                                                                                                                                                                                                                                                                                                                                                                               |           |   |           |   |           |   |           |   |          |   |           |   |         |   |           |   |           |   |           |   |            |  |              |  |
|-----------------------------------------------------------------------------------------------|-------------------------------------------------------------------------------------------------|-----------------------------------------------------------------------------------------------------------------------------------------------------------------------------------------------------------------------------------------------------------------------------------------------------------------------------------------------------------------------------------------------------------------------------------------------------------------------------------------------------------------------------------------------------------------------------------------------------------------------------------------------------------------------------------------------------------------------------------------------------------------------------------------------------------------------------------------------------------------------------------------------|-----------|---|-----------|---|-----------|---|-----------|---|----------|---|-----------|---|---------|---|-----------|---|-----------|---|-----------|---|------------|--|--------------|--|
| 60 shot<br> | 60 shot<br> | <table style="width:100%; border-collapse: collapse;"> <tr><td>41: 10,7*</td><td style="text-align: right;">↑</td></tr> <tr><td>42: 10,0</td><td style="text-align: right;">↑</td></tr> <tr><td>43: 10,0</td><td style="text-align: right;">↖</td></tr> <tr><td>44: 10,2*</td><td style="text-align: right;">→</td></tr> <tr><td>45: 9,1</td><td style="text-align: right;">→</td></tr> <tr><td>46: 9,3</td><td style="text-align: right;">↗</td></tr> <tr><td>47: 9,9</td><td style="text-align: right;">↗</td></tr> <tr><td>48: 10,2*</td><td style="text-align: right;">↖</td></tr> <tr><td>49: 10,5*</td><td style="text-align: right;">↗</td></tr> <tr><td>50: 9,9</td><td style="text-align: right;">←</td></tr> <tr><td colspan="2" style="border-top: 1px solid black;">Serie 96,0</td></tr> <tr><td colspan="2" style="border-top: 1px solid black;">Totalt 484,0</td></tr> </table> | 41: 10,7* | ↑ | 42: 10,0  | ↑ | 43: 10,0  | ↖ | 44: 10,2* | → | 45: 9,1  | → | 46: 9,3   | ↗ | 47: 9,9 | ↗ | 48: 10,2* | ↖ | 49: 10,5* | ↗ | 50: 9,9   | ← | Serie 96,0 |  | Totalt 484,0 |  |
| 41: 10,7*                                                                                     | ↑                                                                                               |                                                                                                                                                                                                                                                                                                                                                                                                                                                                                                                                                                                                                                                                                                                                                                                                                                                                                               |           |   |           |   |           |   |           |   |          |   |           |   |         |   |           |   |           |   |           |   |            |  |              |  |
| 42: 10,0                                                                                      | ↑                                                                                               |                                                                                                                                                                                                                                                                                                                                                                                                                                                                                                                                                                                                                                                                                                                                                                                                                                                                                               |           |   |           |   |           |   |           |   |          |   |           |   |         |   |           |   |           |   |           |   |            |  |              |  |
| 43: 10,0                                                                                      | ↖                                                                                               |                                                                                                                                                                                                                                                                                                                                                                                                                                                                                                                                                                                                                                                                                                                                                                                                                                                                                               |           |   |           |   |           |   |           |   |          |   |           |   |         |   |           |   |           |   |           |   |            |  |              |  |
| 44: 10,2*                                                                                     | →                                                                                               |                                                                                                                                                                                                                                                                                                                                                                                                                                                                                                                                                                                                                                                                                                                                                                                                                                                                                               |           |   |           |   |           |   |           |   |          |   |           |   |         |   |           |   |           |   |           |   |            |  |              |  |
| 45: 9,1                                                                                       | →                                                                                               |                                                                                                                                                                                                                                                                                                                                                                                                                                                                                                                                                                                                                                                                                                                                                                                                                                                                                               |           |   |           |   |           |   |           |   |          |   |           |   |         |   |           |   |           |   |           |   |            |  |              |  |
| 46: 9,3                                                                                       | ↗                                                                                               |                                                                                                                                                                                                                                                                                                                                                                                                                                                                                                                                                                                                                                                                                                                                                                                                                                                                                               |           |   |           |   |           |   |           |   |          |   |           |   |         |   |           |   |           |   |           |   |            |  |              |  |
| 47: 9,9                                                                                       | ↗                                                                                               |                                                                                                                                                                                                                                                                                                                                                                                                                                                                                                                                                                                                                                                                                                                                                                                                                                                                                               |           |   |           |   |           |   |           |   |          |   |           |   |         |   |           |   |           |   |           |   |            |  |              |  |
| 48: 10,2*                                                                                     | ↖                                                                                               |                                                                                                                                                                                                                                                                                                                                                                                                                                                                                                                                                                                                                                                                                                                                                                                                                                                                                               |           |   |           |   |           |   |           |   |          |   |           |   |         |   |           |   |           |   |           |   |            |  |              |  |
| 49: 10,5*                                                                                     | ↗                                                                                               |                                                                                                                                                                                                                                                                                                                                                                                                                                                                                                                                                                                                                                                                                                                                                                                                                                                                                               |           |   |           |   |           |   |           |   |          |   |           |   |         |   |           |   |           |   |           |   |            |  |              |  |
| 50: 9,9                                                                                       | ←                                                                                               |                                                                                                                                                                                                                                                                                                                                                                                                                                                                                                                                                                                                                                                                                                                                                                                                                                                                                               |           |   |           |   |           |   |           |   |          |   |           |   |         |   |           |   |           |   |           |   |            |  |              |  |
| Serie 96,0                                                                                    |                                                                                                 |                                                                                                                                                                                                                                                                                                                                                                                                                                                                                                                                                                                                                                                                                                                                                                                                                                                                                               |           |   |           |   |           |   |           |   |          |   |           |   |         |   |           |   |           |   |           |   |            |  |              |  |
| Totalt 484,0                                                                                  |                                                                                                 |                                                                                                                                                                                                                                                                                                                                                                                                                                                                                                                                                                                                                                                                                                                                                                                                                                                                                               |           |   |           |   |           |   |           |   |          |   |           |   |         |   |           |   |           |   |           |   |            |  |              |  |
|                                                                                               |                                                                                                 | <table style="width:100%; border-collapse: collapse;"> <tr><td>51: 9,6</td><td style="text-align: right;">↑</td></tr> <tr><td>52: 10,2*</td><td style="text-align: right;">↗</td></tr> <tr><td>53: 10,5*</td><td style="text-align: right;">↖</td></tr> <tr><td>54: 9,9</td><td style="text-align: right;">←</td></tr> <tr><td>55: 10,0</td><td style="text-align: right;">↖</td></tr> <tr><td>56: 10,7*</td><td style="text-align: right;">↖</td></tr> <tr><td>57: 8,8</td><td style="text-align: right;">→</td></tr> <tr><td>58: 9,8</td><td style="text-align: right;">↑</td></tr> <tr><td>59: 9,1</td><td style="text-align: right;">↗</td></tr> <tr><td>60: 10,7*</td><td style="text-align: right;">↑</td></tr> <tr><td colspan="2" style="border-top: 1px solid black;">Serie 94,0</td></tr> <tr><td colspan="2" style="border-top: 1px solid black;">Totalt 578,0</td></tr> </table>  | 51: 9,6   | ↑ | 52: 10,2* | ↗ | 53: 10,5* | ↖ | 54: 9,9   | ← | 55: 10,0 | ↖ | 56: 10,7* | ↖ | 57: 8,8 | → | 58: 9,8   | ↑ | 59: 9,1   | ↗ | 60: 10,7* | ↑ | Serie 94,0 |  | Totalt 578,0 |  |
| 51: 9,6                                                                                       | ↑                                                                                               |                                                                                                                                                                                                                                                                                                                                                                                                                                                                                                                                                                                                                                                                                                                                                                                                                                                                                               |           |   |           |   |           |   |           |   |          |   |           |   |         |   |           |   |           |   |           |   |            |  |              |  |
| 52: 10,2*                                                                                     | ↗                                                                                               |                                                                                                                                                                                                                                                                                                                                                                                                                                                                                                                                                                                                                                                                                                                                                                                                                                                                                               |           |   |           |   |           |   |           |   |          |   |           |   |         |   |           |   |           |   |           |   |            |  |              |  |
| 53: 10,5*                                                                                     | ↖                                                                                               |                                                                                                                                                                                                                                                                                                                                                                                                                                                                                                                                                                                                                                                                                                                                                                                                                                                                                               |           |   |           |   |           |   |           |   |          |   |           |   |         |   |           |   |           |   |           |   |            |  |              |  |
| 54: 9,9                                                                                       | ←                                                                                               |                                                                                                                                                                                                                                                                                                                                                                                                                                                                                                                                                                                                                                                                                                                                                                                                                                                                                               |           |   |           |   |           |   |           |   |          |   |           |   |         |   |           |   |           |   |           |   |            |  |              |  |
| 55: 10,0                                                                                      | ↖                                                                                               |                                                                                                                                                                                                                                                                                                                                                                                                                                                                                                                                                                                                                                                                                                                                                                                                                                                                                               |           |   |           |   |           |   |           |   |          |   |           |   |         |   |           |   |           |   |           |   |            |  |              |  |
| 56: 10,7*                                                                                     | ↖                                                                                               |                                                                                                                                                                                                                                                                                                                                                                                                                                                                                                                                                                                                                                                                                                                                                                                                                                                                                               |           |   |           |   |           |   |           |   |          |   |           |   |         |   |           |   |           |   |           |   |            |  |              |  |
| 57: 8,8                                                                                       | →                                                                                               |                                                                                                                                                                                                                                                                                                                                                                                                                                                                                                                                                                                                                                                                                                                                                                                                                                                                                               |           |   |           |   |           |   |           |   |          |   |           |   |         |   |           |   |           |   |           |   |            |  |              |  |
| 58: 9,8                                                                                       | ↑                                                                                               |                                                                                                                                                                                                                                                                                                                                                                                                                                                                                                                                                                                                                                                                                                                                                                                                                                                                                               |           |   |           |   |           |   |           |   |          |   |           |   |         |   |           |   |           |   |           |   |            |  |              |  |
| 59: 9,1                                                                                       | ↗                                                                                               |                                                                                                                                                                                                                                                                                                                                                                                                                                                                                                                                                                                                                                                                                                                                                                                                                                                                                               |           |   |           |   |           |   |           |   |          |   |           |   |         |   |           |   |           |   |           |   |            |  |              |  |
| 60: 10,7*                                                                                     | ↑                                                                                               |                                                                                                                                                                                                                                                                                                                                                                                                                                                                                                                                                                                                                                                                                                                                                                                                                                                                                               |           |   |           |   |           |   |           |   |          |   |           |   |         |   |           |   |           |   |           |   |            |  |              |  |
| Serie 94,0                                                                                    |                                                                                                 |                                                                                                                                                                                                                                                                                                                                                                                                                                                                                                                                                                                                                                                                                                                                                                                                                                                                                               |           |   |           |   |           |   |           |   |          |   |           |   |         |   |           |   |           |   |           |   |            |  |              |  |
| Totalt 578,0                                                                                  |                                                                                                 |                                                                                                                                                                                                                                                                                                                                                                                                                                                                                                                                                                                                                                                                                                                                                                                                                                                                                               |           |   |           |   |           |   |           |   |          |   |           |   |         |   |           |   |           |   |           |   |            |  |              |  |

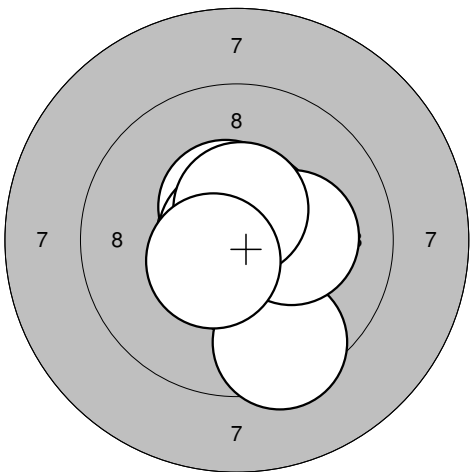
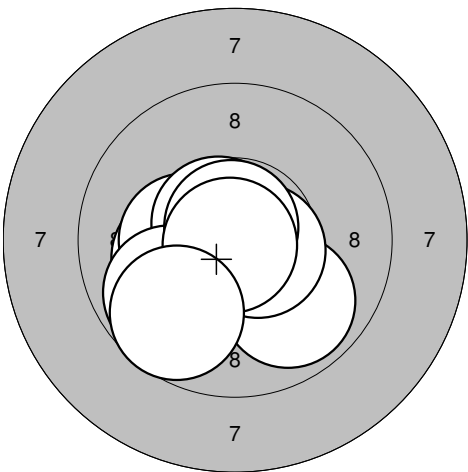
|                                                                                                                                                                      |                                                                                                                                                                                  |  |
|----------------------------------------------------------------------------------------------------------------------------------------------------------------------|----------------------------------------------------------------------------------------------------------------------------------------------------------------------------------|--|
| <p>Sight</p>                                                                         | <p>Sight</p>                                                                                   |  |
| <p>1: 10,4* ↗</p> <p>2: 10,1 ↗</p> <p>3: 8,5 ↘</p> <p>4: 8,4 ↘</p> <p>5: 8,4 ↘</p> <p>6: 9,1 ↘</p> <p>7: 9,3 ↘</p> <p>8: 10,1 ↘</p> <p>9: 8,9 →</p> <p>10: 9,3 ↘</p> | <p>11: 8,2 →</p> <p>12: 10,6* ↘</p> <p>13: 9,9 →</p> <p>14: 8,5 ↗</p> <p>15: 9,5 ↘</p> <p>16: 10,2* ←</p> <p>17: 9,8 ↗</p> <p>18: 9,5 ↗</p> <p>19: 10,1 ↘</p> <p>20: 10,7* ↘</p> |  |
| Serie 89,0                                                                                                                                                           | Serie 92,0                                                                                                                                                                       |  |
| Totalt 0,0                                                                                                                                                           | Totalt 0,0                                                                                                                                                                       |  |

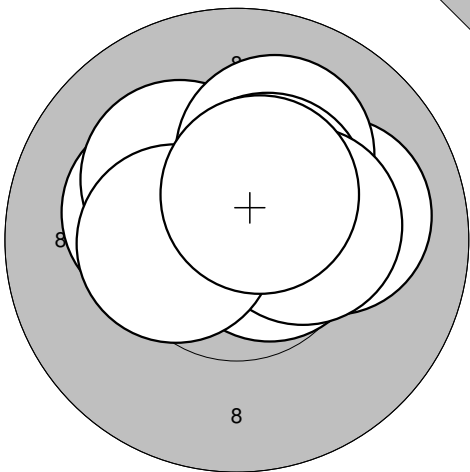
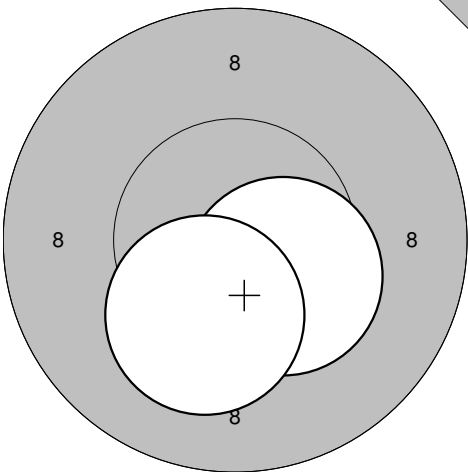
|                                                                                                                                                                       |                                                                                                                                                                               |  |
|-----------------------------------------------------------------------------------------------------------------------------------------------------------------------|-------------------------------------------------------------------------------------------------------------------------------------------------------------------------------|--|
| <p>60 shot</p>                                                                       | <p>60 shot</p>                                                                             |  |
| <p>1: 8,5 ↗</p> <p>2: 9,2 ↘</p> <p>3: 9,8 ↘</p> <p>4: 8,8 →</p> <p>5: 10,8* ↗</p> <p>6: 10,0 →</p> <p>7: 9,7 ↘</p> <p>8: 9,9 ↘</p> <p>9: 10,3* ↗</p> <p>10: 8,4 →</p> | <p>11: 8,0 ←</p> <p>12: 7,4 ↗</p> <p>13: 8,0 →</p> <p>14: 9,8 ↗</p> <p>15: 8,9 ↗</p> <p>16: 8,3 ↗</p> <p>17: 10,5* →</p> <p>18: 9,1 →</p> <p>19: 10,4* ↘</p> <p>20: 8,6 ↗</p> |  |
| Serie 90,0                                                                                                                                                            | Serie 85,0                                                                                                                                                                    |  |
| Totalt 90,0                                                                                                                                                           | Totalt 175,0                                                                                                                                                                  |  |

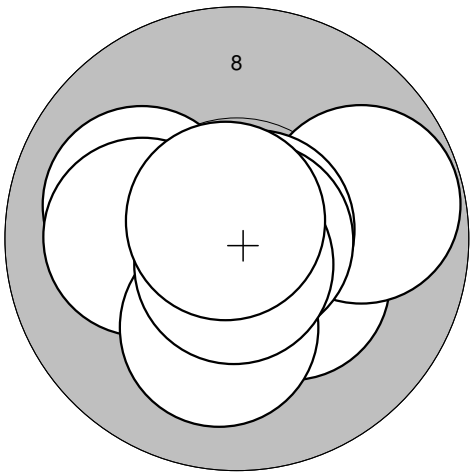
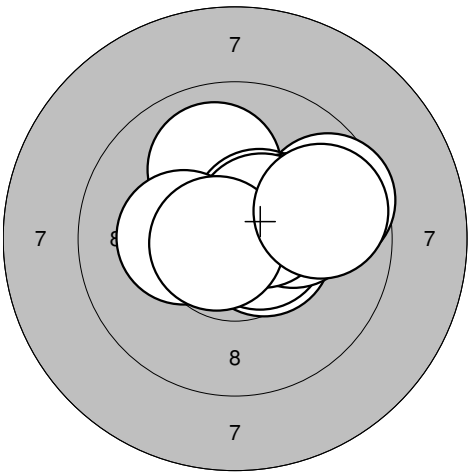
|                                                                                                                                                                            |                                                                                                                                                                                  |  |
|----------------------------------------------------------------------------------------------------------------------------------------------------------------------------|----------------------------------------------------------------------------------------------------------------------------------------------------------------------------------|--|
| <p>60 shot</p>                                                                           | <p>60 shot</p>                                                                               |  |
| <p>21: 6,7 →</p> <p>22: 8,4 ↗</p> <p>23: 9,8 ↘</p> <p>24: 9,4 ↘</p> <p>25: 8,3 ↗</p> <p>26: 8,9 →</p> <p>27: 9,4 ↗</p> <p>28: 9,2 →</p> <p>29: 10,0 ↘</p> <p>30: 8,5 ←</p> | <p>31: 9,1 ↗</p> <p>32: 10,3* ←</p> <p>33: 9,5 ↗</p> <p>34: 10,0 ↗</p> <p>35: 9,7 ↗</p> <p>36: 9,9 ↘</p> <p>37: 9,8 ↗</p> <p>38: 10,6* →</p> <p>39: 10,2* ↘</p> <p>40: 8,6 →</p> |  |
| Serie 84,0                                                                                                                                                                 | Serie 93,0                                                                                                                                                                       |  |
| Totalt 259,0                                                                                                                                                               | Totalt 352,0                                                                                                                                                                     |  |

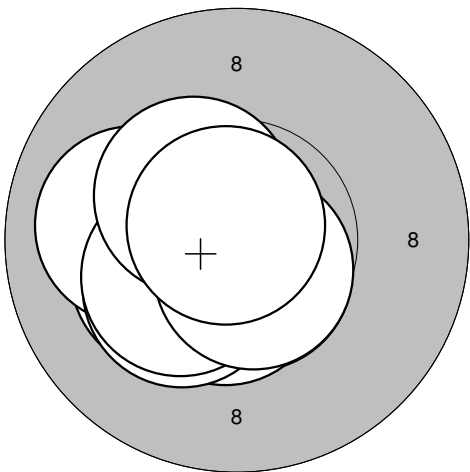
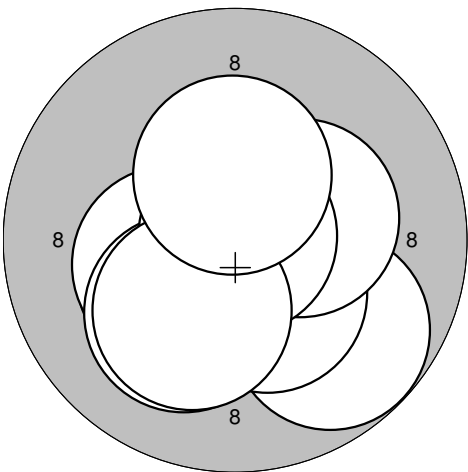
|                                                                                               |                                                                                                                                                                                                                                                                                                                                                             |       |      |        |     |                                                                                                 |                                                                                                                                                                                                                                                                                                                           |       |      |        |     |
|-----------------------------------------------------------------------------------------------|-------------------------------------------------------------------------------------------------------------------------------------------------------------------------------------------------------------------------------------------------------------------------------------------------------------------------------------------------------------|-------|------|--------|-----|-------------------------------------------------------------------------------------------------|---------------------------------------------------------------------------------------------------------------------------------------------------------------------------------------------------------------------------------------------------------------------------------------------------------------------------|-------|------|--------|-----|
| <p>Sight</p>  | <p>1: 9,9 ↘<br/>2: 10,3* →<br/>3: 10,1 ↘<br/>4: 9,2 →<br/>5: 9,5 →<br/>6: 10,2* ↘<br/>7: 10,0 ↗<br/>8: 10,2* ←<br/>9: 10,4* ←<br/>10: 10,1 ↘</p> <table border="1" style="width:100%; border-collapse: collapse;"> <tr><td>Serie</td><td style="text-align: right;">97,0</td></tr> <tr><td>Totalt</td><td style="text-align: right;">0,0</td></tr> </table> | Serie | 97,0 | Totalt | 0,0 | <p>Sight</p>  | <p>11: 10,1 ←<br/>12: 10,0 ←<br/>13: 10,3* →<br/>14: 10,0 ↘<br/>15: 10,5* ↗<br/>16: 10,0 ↘<br/>17: 10,5* →</p> <table border="1" style="width:100%; border-collapse: collapse;"> <tr><td>Serie</td><td style="text-align: right;">70,0</td></tr> <tr><td>Totalt</td><td style="text-align: right;">0,0</td></tr> </table> | Serie | 70,0 | Totalt | 0,0 |
| Serie                                                                                         | 97,0                                                                                                                                                                                                                                                                                                                                                        |       |      |        |     |                                                                                                 |                                                                                                                                                                                                                                                                                                                           |       |      |        |     |
| Totalt                                                                                        | 0,0                                                                                                                                                                                                                                                                                                                                                         |       |      |        |     |                                                                                                 |                                                                                                                                                                                                                                                                                                                           |       |      |        |     |
| Serie                                                                                         | 70,0                                                                                                                                                                                                                                                                                                                                                        |       |      |        |     |                                                                                                 |                                                                                                                                                                                                                                                                                                                           |       |      |        |     |
| Totalt                                                                                        | 0,0                                                                                                                                                                                                                                                                                                                                                         |       |      |        |     |                                                                                                 |                                                                                                                                                                                                                                                                                                                           |       |      |        |     |

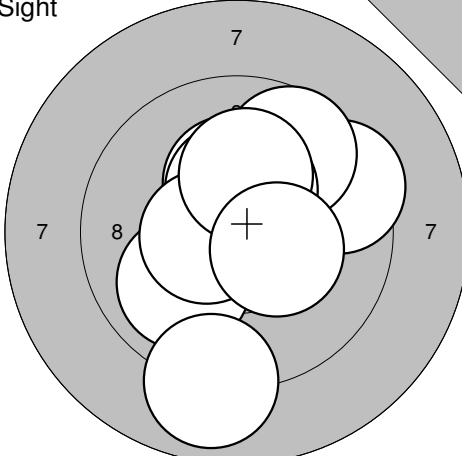
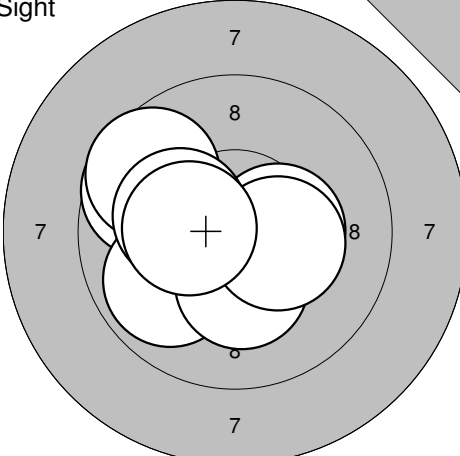
|                                                                                                  |                                                                                                                                                                                                                                                                                                                                                                   |       |      |        |      |                                                                                                    |                                                                                                                                                                                                                                                                                                                                                                           |       |      |        |       |
|--------------------------------------------------------------------------------------------------|-------------------------------------------------------------------------------------------------------------------------------------------------------------------------------------------------------------------------------------------------------------------------------------------------------------------------------------------------------------------|-------|------|--------|------|----------------------------------------------------------------------------------------------------|---------------------------------------------------------------------------------------------------------------------------------------------------------------------------------------------------------------------------------------------------------------------------------------------------------------------------------------------------------------------------|-------|------|--------|-------|
| <p>60 shot</p>  | <p>1: 10,2* ↘<br/>2: 10,0 ↘<br/>3: 10,3* ↘<br/>4: 10,7* ↗<br/>5: 10,6* ↘<br/>6: 10,1 →<br/>7: 10,3* ↗<br/>8: 10,3* →<br/>9: 9,8 ↗<br/>10: 10,4* →</p> <table border="1" style="width:100%; border-collapse: collapse;"> <tr><td>Serie</td><td style="text-align: right;">99,0</td></tr> <tr><td>Totalt</td><td style="text-align: right;">99,0</td></tr> </table> | Serie | 99,0 | Totalt | 99,0 | <p>60 shot</p>  | <p>11: 10,0 ←<br/>12: 10,8* ←<br/>13: 10,8* →<br/>14: 10,5* ←<br/>15: 9,7 ↗<br/>16: 10,1 ←<br/>17: 10,6* →<br/>18: 10,5* ↗<br/>19: 10,3* ↗<br/>20: 9,9 ↑</p> <table border="1" style="width:100%; border-collapse: collapse;"> <tr><td>Serie</td><td style="text-align: right;">98,0</td></tr> <tr><td>Totalt</td><td style="text-align: right;">197,0</td></tr> </table> | Serie | 98,0 | Totalt | 197,0 |
| Serie                                                                                            | 99,0                                                                                                                                                                                                                                                                                                                                                              |       |      |        |      |                                                                                                    |                                                                                                                                                                                                                                                                                                                                                                           |       |      |        |       |
| Totalt                                                                                           | 99,0                                                                                                                                                                                                                                                                                                                                                              |       |      |        |      |                                                                                                    |                                                                                                                                                                                                                                                                                                                                                                           |       |      |        |       |
| Serie                                                                                            | 98,0                                                                                                                                                                                                                                                                                                                                                              |       |      |        |      |                                                                                                    |                                                                                                                                                                                                                                                                                                                                                                           |       |      |        |       |
| Totalt                                                                                           | 197,0                                                                                                                                                                                                                                                                                                                                                             |       |      |        |      |                                                                                                    |                                                                                                                                                                                                                                                                                                                                                                           |       |      |        |       |

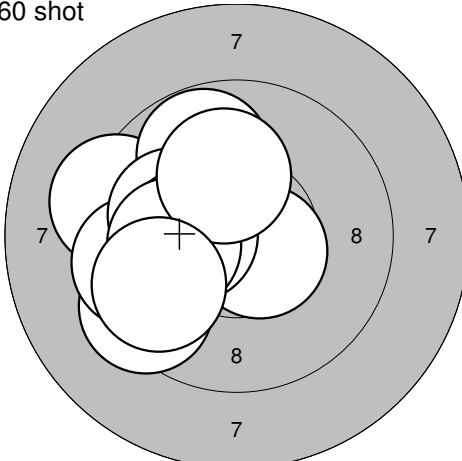
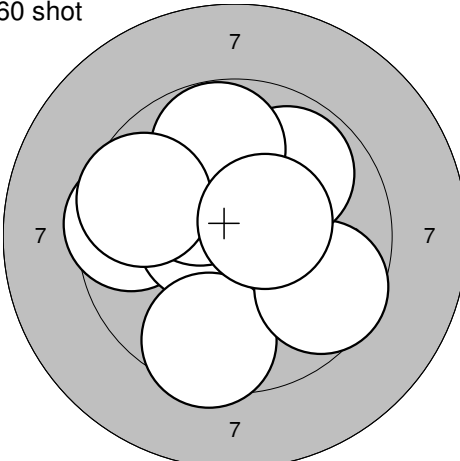
|                                                                                                   |                                                                                                                                                                                                                                                                                                                                                                               |       |      |        |       |                                                                                                     |                                                                                                                                                                                                                                                                                                                                                                           |       |      |        |       |
|---------------------------------------------------------------------------------------------------|-------------------------------------------------------------------------------------------------------------------------------------------------------------------------------------------------------------------------------------------------------------------------------------------------------------------------------------------------------------------------------|-------|------|--------|-------|-----------------------------------------------------------------------------------------------------|---------------------------------------------------------------------------------------------------------------------------------------------------------------------------------------------------------------------------------------------------------------------------------------------------------------------------------------------------------------------------|-------|------|--------|-------|
| <p>60 shot</p>  | <p>21: 10,6* ↗<br/>22: 10,5* ↗<br/>23: 10,8* ↗<br/>24: 10,7* ↘<br/>25: 10,5* ↘<br/>26: 10,7* ↘<br/>27: 9,5 ↘<br/>28: 10,2* →<br/>29: 10,5* ↑<br/>30: 10,5* ↘</p> <table border="1" style="width:100%; border-collapse: collapse;"> <tr><td>Serie</td><td style="text-align: right;">99,0</td></tr> <tr><td>Totalt</td><td style="text-align: right;">296,0</td></tr> </table> | Serie | 99,0 | Totalt | 296,0 | <p>60 shot</p>  | <p>31: 10,2* ←<br/>32: 10,7* ←<br/>33: 9,9 ↘<br/>34: 10,6* ↘<br/>35: 10,3* ←<br/>36: 10,6* ↗<br/>37: 9,8 ↘<br/>38: 10,8* ↑<br/>39: 10,9* ↘<br/>40: 9,7 ↘</p> <table border="1" style="width:100%; border-collapse: collapse;"> <tr><td>Serie</td><td style="text-align: right;">97,0</td></tr> <tr><td>Totalt</td><td style="text-align: right;">393,0</td></tr> </table> | Serie | 97,0 | Totalt | 393,0 |
| Serie                                                                                             | 99,0                                                                                                                                                                                                                                                                                                                                                                          |       |      |        |       |                                                                                                     |                                                                                                                                                                                                                                                                                                                                                                           |       |      |        |       |
| Totalt                                                                                            | 296,0                                                                                                                                                                                                                                                                                                                                                                         |       |      |        |       |                                                                                                     |                                                                                                                                                                                                                                                                                                                                                                           |       |      |        |       |
| Serie                                                                                             | 97,0                                                                                                                                                                                                                                                                                                                                                                          |       |      |        |       |                                                                                                     |                                                                                                                                                                                                                                                                                                                                                                           |       |      |        |       |
| Totalt                                                                                            | 393,0                                                                                                                                                                                                                                                                                                                                                                         |       |      |        |       |                                                                                                     |                                                                                                                                                                                                                                                                                                                                                                           |       |      |        |       |

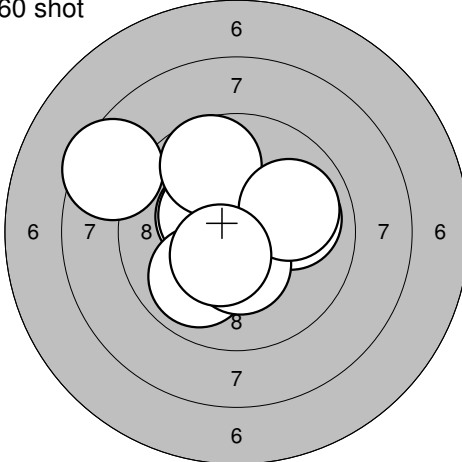
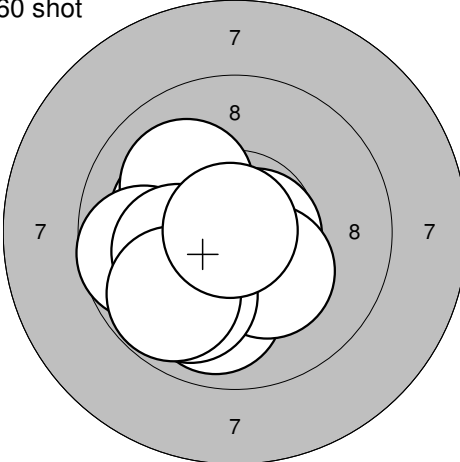
|                                                                                               |                                                                                                                                                                                                                                                                                                                                                                                                                                                                                                                              |       |       |        |     |                                                                                                 |                                                                                                                                                                                                                                                                |       |      |        |     |
|-----------------------------------------------------------------------------------------------|------------------------------------------------------------------------------------------------------------------------------------------------------------------------------------------------------------------------------------------------------------------------------------------------------------------------------------------------------------------------------------------------------------------------------------------------------------------------------------------------------------------------------|-------|-------|--------|-----|-------------------------------------------------------------------------------------------------|----------------------------------------------------------------------------------------------------------------------------------------------------------------------------------------------------------------------------------------------------------------|-------|------|--------|-----|
| <p>Sight</p>  | <p>1: 10,2* ↖<br/>                 2: 10,5* ↗<br/>                 3: 10,2* ↗<br/>                 4: 10,1 →<br/>                 5: 10,6* →<br/>                 6: 10,1 ↗<br/>                 7: 10,4* ↗<br/>                 8: 10,3* →<br/>                 9: 10,4* ←<br/>                 10: 10,5* ↗</p> <table border="1" style="width:100%; border-collapse: collapse;"> <tr><td>Serie</td><td style="text-align: right;">100,0</td></tr> <tr><td>Totalt</td><td style="text-align: right;">0,0</td></tr> </table> | Serie | 100,0 | Totalt | 0,0 | <p>Sight</p>  | <p>11: 10,4* ↘<br/>                 12: 10,2* ↘</p> <table border="1" style="width:100%; border-collapse: collapse;"> <tr><td>Serie</td><td style="text-align: right;">20,0</td></tr> <tr><td>Totalt</td><td style="text-align: right;">0,0</td></tr> </table> | Serie | 20,0 | Totalt | 0,0 |
| Serie                                                                                         | 100,0                                                                                                                                                                                                                                                                                                                                                                                                                                                                                                                        |       |       |        |     |                                                                                                 |                                                                                                                                                                                                                                                                |       |      |        |     |
| Totalt                                                                                        | 0,0                                                                                                                                                                                                                                                                                                                                                                                                                                                                                                                          |       |       |        |     |                                                                                                 |                                                                                                                                                                                                                                                                |       |      |        |     |
| Serie                                                                                         | 20,0                                                                                                                                                                                                                                                                                                                                                                                                                                                                                                                         |       |       |        |     |                                                                                                 |                                                                                                                                                                                                                                                                |       |      |        |     |
| Totalt                                                                                        | 0,0                                                                                                                                                                                                                                                                                                                                                                                                                                                                                                                          |       |       |        |     |                                                                                                 |                                                                                                                                                                                                                                                                |       |      |        |     |

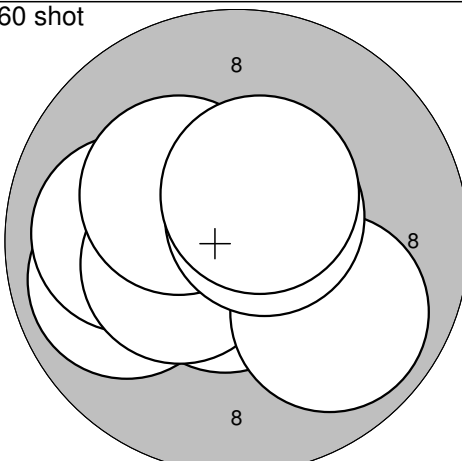
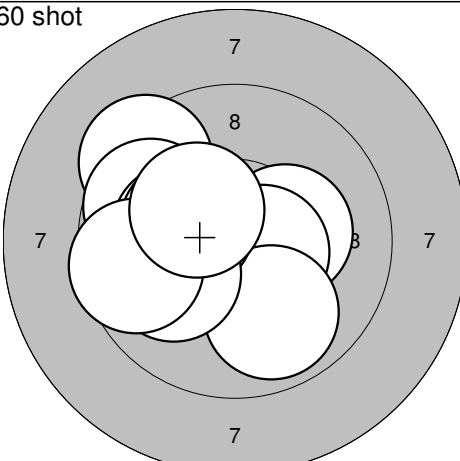
|                                                                                                  |                                                                                                                                                                                                                                                                                                                                                                                                                                                                                                                           |       |      |        |      |                                                                                                    |                                                                                                                                                                                                                                                                                                                                                                                                                                                                                                                                    |       |      |        |       |
|--------------------------------------------------------------------------------------------------|---------------------------------------------------------------------------------------------------------------------------------------------------------------------------------------------------------------------------------------------------------------------------------------------------------------------------------------------------------------------------------------------------------------------------------------------------------------------------------------------------------------------------|-------|------|--------|------|----------------------------------------------------------------------------------------------------|------------------------------------------------------------------------------------------------------------------------------------------------------------------------------------------------------------------------------------------------------------------------------------------------------------------------------------------------------------------------------------------------------------------------------------------------------------------------------------------------------------------------------------|-------|------|--------|-------|
| <p>60 shot</p>  | <p>1: 10,0 ↖<br/>                 2: 10,1 ←<br/>                 3: 10,4* →<br/>                 4: 10,3* ↘<br/>                 5: 10,1 ↓<br/>                 6: 9,8 →<br/>                 7: 10,8* →<br/>                 8: 10,8* →<br/>                 9: 10,7* ↓<br/>                 10: 10,8* ↗</p> <table border="1" style="width:100%; border-collapse: collapse;"> <tr><td>Serie</td><td style="text-align: right;">99,0</td></tr> <tr><td>Totalt</td><td style="text-align: right;">99,0</td></tr> </table> | Serie | 99,0 | Totalt | 99,0 | <p>60 shot</p>  | <p>11: 9,6 ↗<br/>                 12: 10,0 ↑<br/>                 13: 10,5* →<br/>                 14: 10,5* ↗<br/>                 15: 10,6* →<br/>                 16: 10,1 →<br/>                 17: 10,5* ↗<br/>                 18: 10,3* ←<br/>                 19: 10,7* ←<br/>                 20: 9,7 →</p> <table border="1" style="width:100%; border-collapse: collapse;"> <tr><td>Serie</td><td style="text-align: right;">98,0</td></tr> <tr><td>Totalt</td><td style="text-align: right;">197,0</td></tr> </table> | Serie | 98,0 | Totalt | 197,0 |
| Serie                                                                                            | 99,0                                                                                                                                                                                                                                                                                                                                                                                                                                                                                                                      |       |      |        |      |                                                                                                    |                                                                                                                                                                                                                                                                                                                                                                                                                                                                                                                                    |       |      |        |       |
| Totalt                                                                                           | 99,0                                                                                                                                                                                                                                                                                                                                                                                                                                                                                                                      |       |      |        |      |                                                                                                    |                                                                                                                                                                                                                                                                                                                                                                                                                                                                                                                                    |       |      |        |       |
| Serie                                                                                            | 98,0                                                                                                                                                                                                                                                                                                                                                                                                                                                                                                                      |       |      |        |      |                                                                                                    |                                                                                                                                                                                                                                                                                                                                                                                                                                                                                                                                    |       |      |        |       |
| Totalt                                                                                           | 197,0                                                                                                                                                                                                                                                                                                                                                                                                                                                                                                                     |       |      |        |      |                                                                                                    |                                                                                                                                                                                                                                                                                                                                                                                                                                                                                                                                    |       |      |        |       |

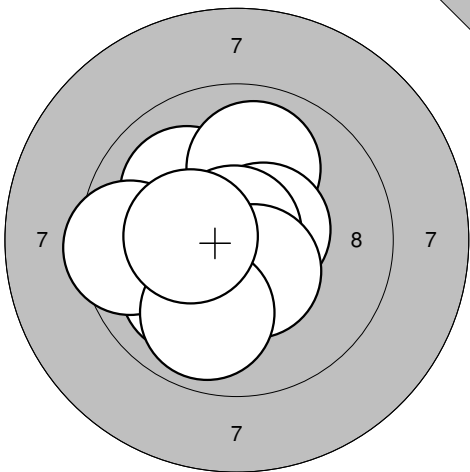
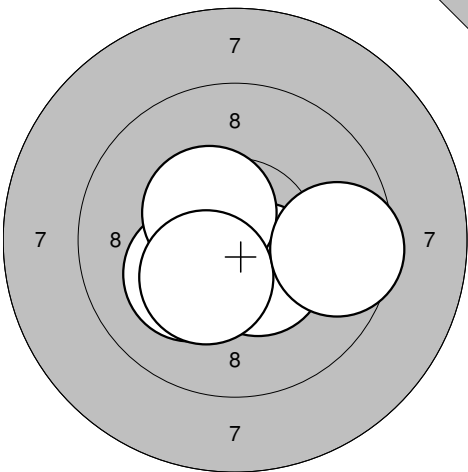
|                                                                                                   |                                                                                                                                                                                                                                                                                                                                                                                                                                                                                                                                          |       |       |        |       |                                                                                                     |                                                                                                                                                                                                                                                                                                                                                                                                                                                                                                                                       |       |      |        |       |
|---------------------------------------------------------------------------------------------------|------------------------------------------------------------------------------------------------------------------------------------------------------------------------------------------------------------------------------------------------------------------------------------------------------------------------------------------------------------------------------------------------------------------------------------------------------------------------------------------------------------------------------------------|-------|-------|--------|-------|-----------------------------------------------------------------------------------------------------|---------------------------------------------------------------------------------------------------------------------------------------------------------------------------------------------------------------------------------------------------------------------------------------------------------------------------------------------------------------------------------------------------------------------------------------------------------------------------------------------------------------------------------------|-------|------|--------|-------|
| <p>60 shot</p>  | <p>21: 10,6* ↘<br/>                 22: 10,5* ↘<br/>                 23: 10,3* ←<br/>                 24: 10,4* ←<br/>                 25: 10,0 ←<br/>                 26: 10,3* ↖<br/>                 27: 10,3* ↖<br/>                 28: 10,4* ↗<br/>                 29: 10,6* ↘<br/>                 30: 10,8* ↗</p> <table border="1" style="width:100%; border-collapse: collapse;"> <tr><td>Serie</td><td style="text-align: right;">100,0</td></tr> <tr><td>Totalt</td><td style="text-align: right;">297,0</td></tr> </table> | Serie | 100,0 | Totalt | 297,0 | <p>60 shot</p>  | <p>31: 10,3* ↖<br/>                 32: 10,7* ↘<br/>                 33: 10,3* ←<br/>                 34: 9,8 ↘<br/>                 35: 10,4* ↘<br/>                 36: 10,3* →<br/>                 37: 10,1 ↘<br/>                 38: 10,9* ↗<br/>                 39: 10,2* ↘<br/>                 40: 10,4* ↑</p> <table border="1" style="width:100%; border-collapse: collapse;"> <tr><td>Serie</td><td style="text-align: right;">99,0</td></tr> <tr><td>Totalt</td><td style="text-align: right;">396,0</td></tr> </table> | Serie | 99,0 | Totalt | 396,0 |
| Serie                                                                                             | 100,0                                                                                                                                                                                                                                                                                                                                                                                                                                                                                                                                    |       |       |        |       |                                                                                                     |                                                                                                                                                                                                                                                                                                                                                                                                                                                                                                                                       |       |      |        |       |
| Totalt                                                                                            | 297,0                                                                                                                                                                                                                                                                                                                                                                                                                                                                                                                                    |       |       |        |       |                                                                                                     |                                                                                                                                                                                                                                                                                                                                                                                                                                                                                                                                       |       |      |        |       |
| Serie                                                                                             | 99,0                                                                                                                                                                                                                                                                                                                                                                                                                                                                                                                                     |       |       |        |       |                                                                                                     |                                                                                                                                                                                                                                                                                                                                                                                                                                                                                                                                       |       |      |        |       |
| Totalt                                                                                            | 396,0                                                                                                                                                                                                                                                                                                                                                                                                                                                                                                                                    |       |       |        |       |                                                                                                     |                                                                                                                                                                                                                                                                                                                                                                                                                                                                                                                                       |       |      |        |       |

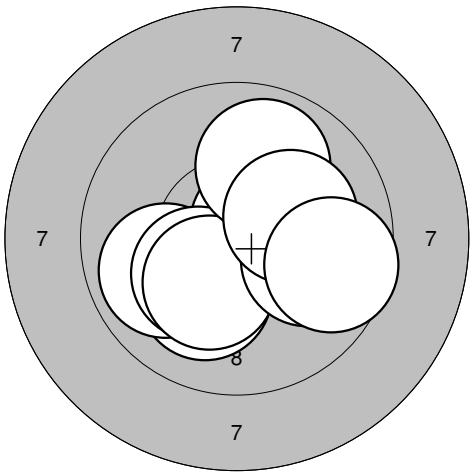
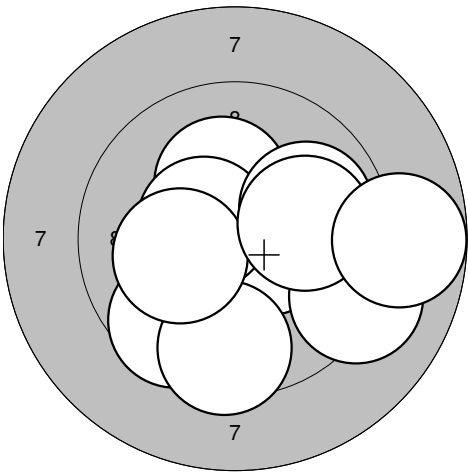
|                                                                                               |                                                                                                                                                                                     |                                                                                                 |                                                                                                                                                               |
|-----------------------------------------------------------------------------------------------|-------------------------------------------------------------------------------------------------------------------------------------------------------------------------------------|-------------------------------------------------------------------------------------------------|---------------------------------------------------------------------------------------------------------------------------------------------------------------|
| <p>Sight</p>  | <p>1: 10,3* ↑<br/>2: 10,0 ↙<br/>3: 8,9 ↓<br/>4: 9,5 →<br/>5: 9,7 ↗<br/>6: 10,4* ↑<br/>7: 10,4* ↑<br/>8: 10,5* ←<br/>9: 10,2* ↑<br/>10: 10,4* →</p> <p>Serie 96,0<br/>Totalt 0,0</p> | <p>Sight</p>  | <p>11: 9,7 ↖<br/>12: 9,9 ↙<br/>13: 10,4* →<br/>14: 9,6 ↗<br/>15: 10,2* ↖<br/>16: 10,3* ↓<br/>17: 10,4* →<br/>18: 10,3* ←</p> <p>Serie 77,0<br/>Totalt 0,0</p> |
|-----------------------------------------------------------------------------------------------|-------------------------------------------------------------------------------------------------------------------------------------------------------------------------------------|-------------------------------------------------------------------------------------------------|---------------------------------------------------------------------------------------------------------------------------------------------------------------|

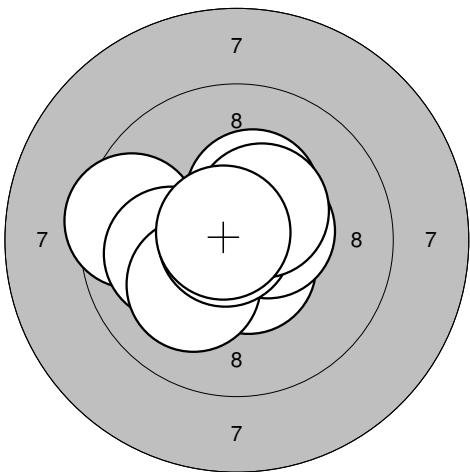
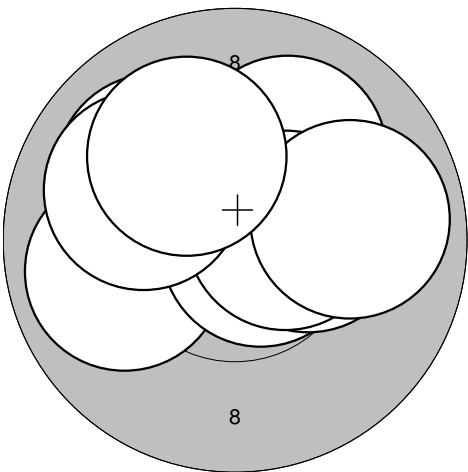
|                                                                                                  |                                                                                                                                                                                |                                                                                                    |                                                                                                                                                                                           |
|--------------------------------------------------------------------------------------------------|--------------------------------------------------------------------------------------------------------------------------------------------------------------------------------|----------------------------------------------------------------------------------------------------|-------------------------------------------------------------------------------------------------------------------------------------------------------------------------------------------|
| <p>60 shot</p>  | <p>1: 9,4 ↙<br/>2: 9,3 ←<br/>3: 9,8 ↑<br/>4: 10,6* ↘<br/>5: 9,6 ←<br/>6: 10,1 ←<br/>7: 10,3* ←<br/>8: 10,1 ←<br/>9: 10,1 ↑<br/>10: 9,7 ↙</p> <p>Serie 95,0<br/>Totalt 95,0</p> | <p>60 shot</p>  | <p>11: 9,6 ←<br/>12: 10,5* ←<br/>13: 10,4* ↑<br/>14: 9,5 ↓<br/>15: 9,6 ↘<br/>16: 10,3* ↗<br/>17: 9,9 ↗<br/>18: 9,8 ↑<br/>19: 9,6 ↖<br/>20: 10,5* →</p> <p>Serie 94,0<br/>Totalt 189,0</p> |
|--------------------------------------------------------------------------------------------------|--------------------------------------------------------------------------------------------------------------------------------------------------------------------------------|----------------------------------------------------------------------------------------------------|-------------------------------------------------------------------------------------------------------------------------------------------------------------------------------------------|

|                                                                                                   |                                                                                                                                                                                              |                                                                                                     |                                                                                                                                                                                             |
|---------------------------------------------------------------------------------------------------|----------------------------------------------------------------------------------------------------------------------------------------------------------------------------------------------|-----------------------------------------------------------------------------------------------------|---------------------------------------------------------------------------------------------------------------------------------------------------------------------------------------------|
| <p>60 shot</p>  | <p>21: 10,0 →<br/>22: 10,8* ↖<br/>23: 10,4* ↖<br/>24: 8,5 ↖<br/>25: 10,4* ↗<br/>26: 9,9 ↘<br/>27: 10,4* ↓<br/>28: 9,7 ↑<br/>29: 9,9 →<br/>30: 10,4* ↘</p> <p>Serie 95,0<br/>Totalt 284,0</p> | <p>60 shot</p>  | <p>31: 10,7* →<br/>32: 10,1 ↖<br/>33: 9,9 ↓<br/>34: 10,1 ↗<br/>35: 10,3* ↘<br/>36: 9,7 ←<br/>37: 9,9 ↓<br/>38: 10,2* ←<br/>39: 9,8 ↙<br/>40: 10,9* ↖</p> <p>Serie 96,0<br/>Totalt 380,0</p> |
|---------------------------------------------------------------------------------------------------|----------------------------------------------------------------------------------------------------------------------------------------------------------------------------------------------|-----------------------------------------------------------------------------------------------------|---------------------------------------------------------------------------------------------------------------------------------------------------------------------------------------------|

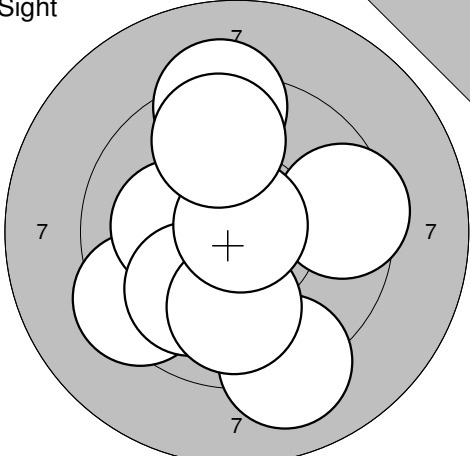
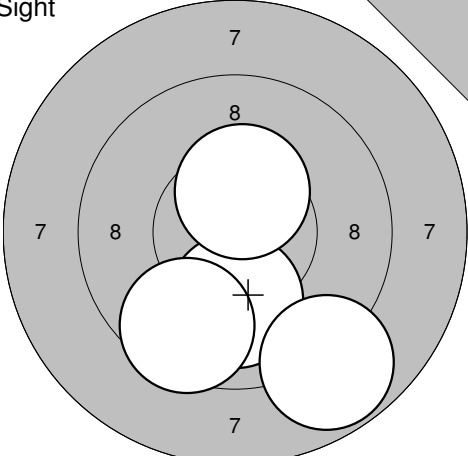
|                                                                                                   |                                                                                                                                                                                                  |                                                                                                     |                                                                                                                                                                                              |
|---------------------------------------------------------------------------------------------------|--------------------------------------------------------------------------------------------------------------------------------------------------------------------------------------------------|-----------------------------------------------------------------------------------------------------|----------------------------------------------------------------------------------------------------------------------------------------------------------------------------------------------|
| <p>60 shot</p>  | <p>41: 10,5* ←<br/>42: 9,9 ←<br/>43: 10,6* ↓<br/>44: 10,0 ←<br/>45: 10,6* ↗<br/>46: 10,4* ←<br/>47: 9,9 ↘<br/>48: 10,3* ↖<br/>49: 10,6* ↗<br/>50: 10,5* ↑</p> <p>Serie 98,0<br/>Totalt 478,0</p> | <p>60 shot</p>  | <p>51: 10,3* →<br/>52: 9,4 ↗<br/>53: 10,6* →<br/>54: 9,7 ↖<br/>55: 10,2* ↖<br/>56: 9,9 ↓<br/>57: 10,3* ↖<br/>58: 10,0 ←<br/>59: 9,6 ←<br/>60: 10,3* ↗</p> <p>Serie 96,0<br/>Totalt 574,0</p> |
|---------------------------------------------------------------------------------------------------|--------------------------------------------------------------------------------------------------------------------------------------------------------------------------------------------------|-----------------------------------------------------------------------------------------------------|----------------------------------------------------------------------------------------------------------------------------------------------------------------------------------------------|

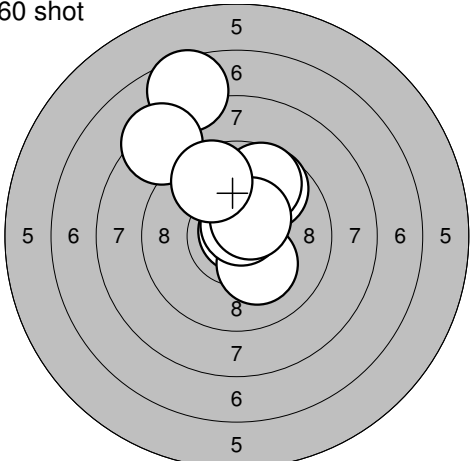
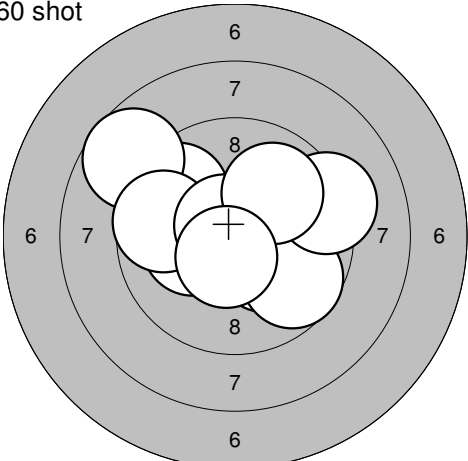
|                                                                                               |                                                                                                                                                                                                                                                                                                                                                               |       |      |        |     |                                                                                                 |                                                                                                                                                                                                                                                                                             |       |      |        |     |
|-----------------------------------------------------------------------------------------------|---------------------------------------------------------------------------------------------------------------------------------------------------------------------------------------------------------------------------------------------------------------------------------------------------------------------------------------------------------------|-------|------|--------|-----|-------------------------------------------------------------------------------------------------|---------------------------------------------------------------------------------------------------------------------------------------------------------------------------------------------------------------------------------------------------------------------------------------------|-------|------|--------|-----|
| <p>Sight</p>  | <p>1: 10,8* ↙<br/>2: 10,0 ↙<br/>3: 10,0 ↗<br/>4: 10,0 ↑<br/>5: 10,6* →<br/>6: 9,5 ←<br/>7: 10,8* ↑<br/>8: 10,5* ↓<br/>9: 9,9 ↓<br/>10: 10,3* ←</p> <table border="1" style="width:100%; border-collapse: collapse;"> <tr><td>Serie</td><td style="text-align: right;">98,0</td></tr> <tr><td>Totalt</td><td style="text-align: right;">0,0</td></tr> </table> | Serie | 98,0 | Totalt | 0,0 | <p>Sight</p>  | <p>11: 10,5* ↘<br/>12: 10,2* ↙<br/>13: 10,5* ↗<br/>14: 10,3* ↓<br/>15: 9,6 →</p> <table border="1" style="width:100%; border-collapse: collapse;"> <tr><td>Serie</td><td style="text-align: right;">49,0</td></tr> <tr><td>Totalt</td><td style="text-align: right;">0,0</td></tr> </table> | Serie | 49,0 | Totalt | 0,0 |
| Serie                                                                                         | 98,0                                                                                                                                                                                                                                                                                                                                                          |       |      |        |     |                                                                                                 |                                                                                                                                                                                                                                                                                             |       |      |        |     |
| Totalt                                                                                        | 0,0                                                                                                                                                                                                                                                                                                                                                           |       |      |        |     |                                                                                                 |                                                                                                                                                                                                                                                                                             |       |      |        |     |
| Serie                                                                                         | 49,0                                                                                                                                                                                                                                                                                                                                                          |       |      |        |     |                                                                                                 |                                                                                                                                                                                                                                                                                             |       |      |        |     |
| Totalt                                                                                        | 0,0                                                                                                                                                                                                                                                                                                                                                           |       |      |        |     |                                                                                                 |                                                                                                                                                                                                                                                                                             |       |      |        |     |

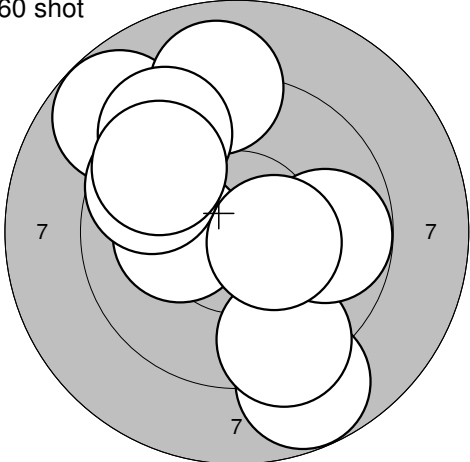
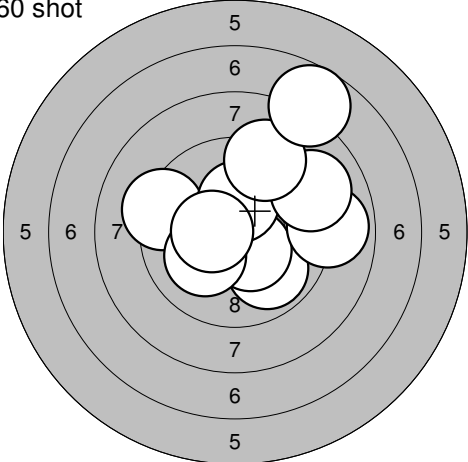
|                                                                                                  |                                                                                                                                                                                                                                                                                                                                                               |       |      |        |      |                                                                                                    |                                                                                                                                                                                                                                                                                                                                                                      |       |      |        |       |
|--------------------------------------------------------------------------------------------------|---------------------------------------------------------------------------------------------------------------------------------------------------------------------------------------------------------------------------------------------------------------------------------------------------------------------------------------------------------------|-------|------|--------|------|----------------------------------------------------------------------------------------------------|----------------------------------------------------------------------------------------------------------------------------------------------------------------------------------------------------------------------------------------------------------------------------------------------------------------------------------------------------------------------|-------|------|--------|-------|
| <p>60 shot</p>  | <p>1: 10,1 ↙<br/>2: 9,9 ←<br/>3: 10,6* →<br/>4: 10,3* ↙<br/>5: 10,3* →<br/>6: 10,3* ↙<br/>7: 9,9 ↑<br/>8: 10,0 →<br/>9: 10,2* →<br/>10: 9,6 →</p> <table border="1" style="width:100%; border-collapse: collapse;"> <tr><td>Serie</td><td style="text-align: right;">97,0</td></tr> <tr><td>Totalt</td><td style="text-align: right;">97,0</td></tr> </table> | Serie | 97,0 | Totalt | 97,0 | <p>60 shot</p>  | <p>11: 10,2* ↑<br/>12: 10,5* →<br/>13: 10,5* ↙<br/>14: 9,6 ↓<br/>15: 9,2 →<br/>16: 9,5 ↓<br/>17: 9,9 →<br/>18: 10,2* ←<br/>19: 10,0 →<br/>20: 8,8 →</p> <table border="1" style="width:100%; border-collapse: collapse;"> <tr><td>Serie</td><td style="text-align: right;">94,0</td></tr> <tr><td>Totalt</td><td style="text-align: right;">191,0</td></tr> </table> | Serie | 94,0 | Totalt | 191,0 |
| Serie                                                                                            | 97,0                                                                                                                                                                                                                                                                                                                                                          |       |      |        |      |                                                                                                    |                                                                                                                                                                                                                                                                                                                                                                      |       |      |        |       |
| Totalt                                                                                           | 97,0                                                                                                                                                                                                                                                                                                                                                          |       |      |        |      |                                                                                                    |                                                                                                                                                                                                                                                                                                                                                                      |       |      |        |       |
| Serie                                                                                            | 94,0                                                                                                                                                                                                                                                                                                                                                          |       |      |        |      |                                                                                                    |                                                                                                                                                                                                                                                                                                                                                                      |       |      |        |       |
| Totalt                                                                                           | 191,0                                                                                                                                                                                                                                                                                                                                                         |       |      |        |      |                                                                                                    |                                                                                                                                                                                                                                                                                                                                                                      |       |      |        |       |

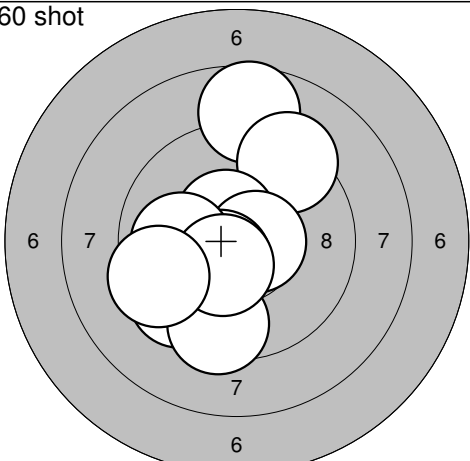
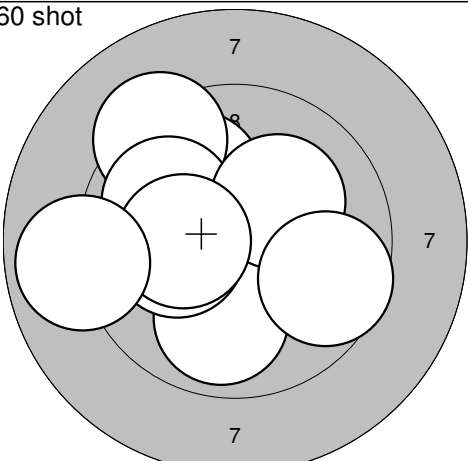
|                                                                                                   |                                                                                                                                                                                                                                                                                                                                                                             |       |      |        |       |                                                                                                     |                                                                                                                                                                                                                                                                                                                                                                         |       |      |        |       |
|---------------------------------------------------------------------------------------------------|-----------------------------------------------------------------------------------------------------------------------------------------------------------------------------------------------------------------------------------------------------------------------------------------------------------------------------------------------------------------------------|-------|------|--------|-------|-----------------------------------------------------------------------------------------------------|-------------------------------------------------------------------------------------------------------------------------------------------------------------------------------------------------------------------------------------------------------------------------------------------------------------------------------------------------------------------------|-------|------|--------|-------|
| <p>60 shot</p>  | <p>21: 9,5 ←<br/>22: 10,1 ←<br/>23: 10,7* ↗<br/>24: 10,6* ↓<br/>25: 10,1 ↙<br/>26: 10,5* →<br/>27: 10,8* ←<br/>28: 10,3* ↑<br/>29: 10,4* ↗<br/>30: 10,8* ↙</p> <table border="1" style="width:100%; border-collapse: collapse;"> <tr><td>Serie</td><td style="text-align: right;">99,0</td></tr> <tr><td>Totalt</td><td style="text-align: right;">290,0</td></tr> </table> | Serie | 99,0 | Totalt | 290,0 | <p>60 shot</p>  | <p>31: 9,9 ←<br/>32: 10,0 ↙<br/>33: 10,6* ↗<br/>34: 10,7* →<br/>35: 10,3* →<br/>36: 10,1 ↗<br/>37: 10,5* →<br/>38: 9,9 →<br/>39: 10,0 ↙<br/>40: 10,1 ↗</p> <table border="1" style="width:100%; border-collapse: collapse;"> <tr><td>Serie</td><td style="text-align: right;">98,0</td></tr> <tr><td>Totalt</td><td style="text-align: right;">388,0</td></tr> </table> | Serie | 98,0 | Totalt | 388,0 |
| Serie                                                                                             | 99,0                                                                                                                                                                                                                                                                                                                                                                        |       |      |        |       |                                                                                                     |                                                                                                                                                                                                                                                                                                                                                                         |       |      |        |       |
| Totalt                                                                                            | 290,0                                                                                                                                                                                                                                                                                                                                                                       |       |      |        |       |                                                                                                     |                                                                                                                                                                                                                                                                                                                                                                         |       |      |        |       |
| Serie                                                                                             | 98,0                                                                                                                                                                                                                                                                                                                                                                        |       |      |        |       |                                                                                                     |                                                                                                                                                                                                                                                                                                                                                                         |       |      |        |       |
| Totalt                                                                                            | 388,0                                                                                                                                                                                                                                                                                                                                                                       |       |      |        |       |                                                                                                     |                                                                                                                                                                                                                                                                                                                                                                         |       |      |        |       |

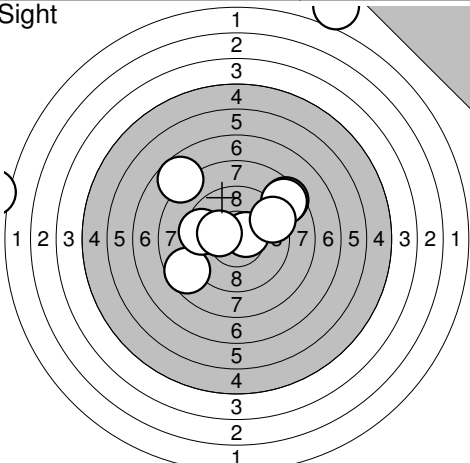
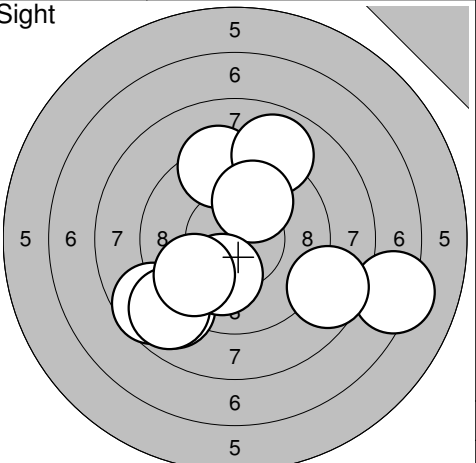


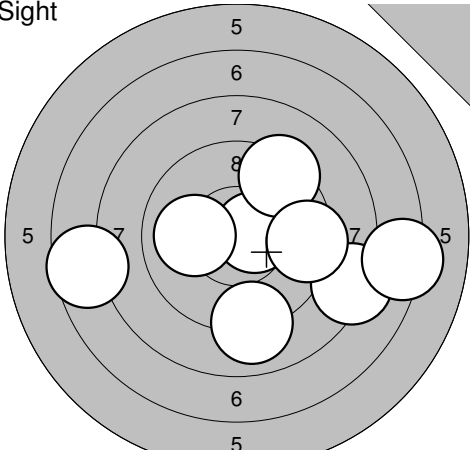
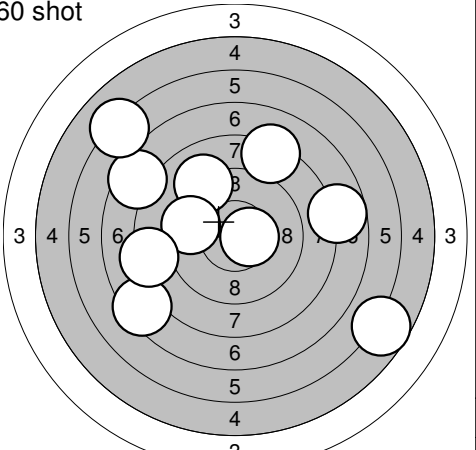
|                                                                                               |                                                                                                                                                                                                                                                                                                                                       |                                                                                                                                                                                                                                                   |
|-----------------------------------------------------------------------------------------------|---------------------------------------------------------------------------------------------------------------------------------------------------------------------------------------------------------------------------------------------------------------------------------------------------------------------------------------|---------------------------------------------------------------------------------------------------------------------------------------------------------------------------------------------------------------------------------------------------|
| <p>Sight</p>  | <p>1: 9,1 ↓<br/>                 2: 9,4 ↙<br/>                 3: 10,2* ←<br/>                 4: 10,1 ↓<br/>                 5: 10,0 ↘<br/>                 6: 9,9 ↓<br/>                 7: 9,3 ↑<br/>                 8: 9,5 →<br/>                 9: 10,8* ↗<br/>                 10: 9,7 ↑</p> <p>Serie 94,0<br/>Totalt 0,0</p> | <p>Sight</p>  <p>11: 10,0 ↓<br/>                 12: 8,8 ↘<br/>                 13: 9,5 ↘<br/>                 14: 10,4* ↑</p> <p>Serie 37,0<br/>Totalt 0,0</p> |
|-----------------------------------------------------------------------------------------------|---------------------------------------------------------------------------------------------------------------------------------------------------------------------------------------------------------------------------------------------------------------------------------------------------------------------------------------|---------------------------------------------------------------------------------------------------------------------------------------------------------------------------------------------------------------------------------------------------|

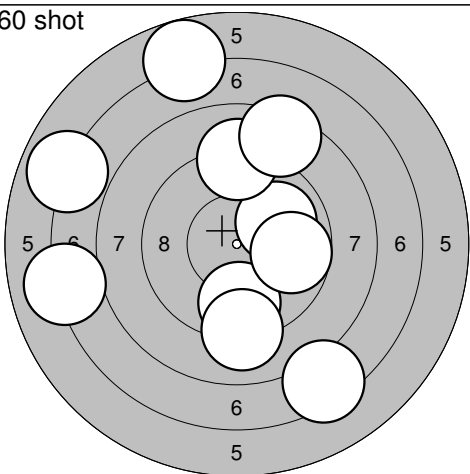
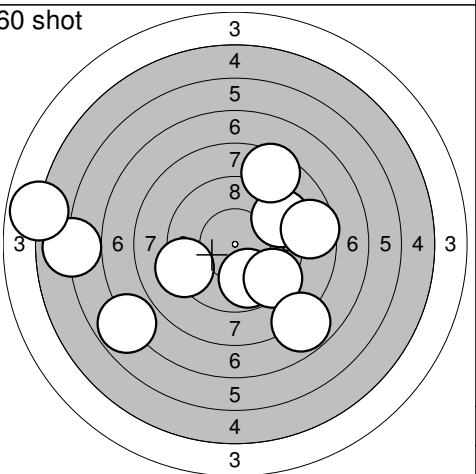
|                                                                                                  |                                                                                                                                                                                                                                                                                                                                           |                                                                                                                                                                                                                                                                                                                                                                                                                                                       |
|--------------------------------------------------------------------------------------------------|-------------------------------------------------------------------------------------------------------------------------------------------------------------------------------------------------------------------------------------------------------------------------------------------------------------------------------------------|-------------------------------------------------------------------------------------------------------------------------------------------------------------------------------------------------------------------------------------------------------------------------------------------------------------------------------------------------------------------------------------------------------------------------------------------------------|
| <p>60 shot</p>  | <p>1: 10,0 ↑<br/>                 2: 9,7 ↗<br/>                 3: 10,8* ↗<br/>                 4: 10,2* ↘<br/>                 5: 7,6 ↑<br/>                 6: 10,7* ↗<br/>                 7: 9,7 ↗<br/>                 8: 8,4 ↘<br/>                 9: 10,5* ↗<br/>                 10: 9,6 ↗</p> <p>Serie 92,0<br/>Totalt 92,0</p> | <p>60 shot</p>  <p>11: 9,7 ↗<br/>                 12: 10,2* ←<br/>                 13: 8,7 ↗<br/>                 14: 9,7 ←<br/>                 15: 10,2* ↘<br/>                 16: 9,7 ↘<br/>                 17: 10,7* ↗<br/>                 18: 9,2 →<br/>                 19: 9,9 ↗<br/>                 20: 10,5* ↓</p> <p>Serie 93,0<br/>Totalt 185,0</p> |
|--------------------------------------------------------------------------------------------------|-------------------------------------------------------------------------------------------------------------------------------------------------------------------------------------------------------------------------------------------------------------------------------------------------------------------------------------------|-------------------------------------------------------------------------------------------------------------------------------------------------------------------------------------------------------------------------------------------------------------------------------------------------------------------------------------------------------------------------------------------------------------------------------------------------------|

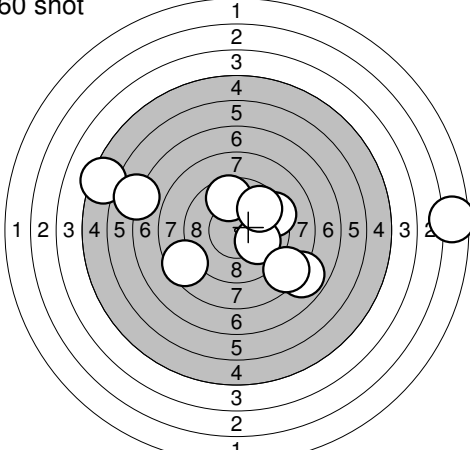
|                                                                                                   |                                                                                                                                                                                                                                                                                                                                                |                                                                                                                                                                                                                                                                                                                                                                                                                                                       |
|---------------------------------------------------------------------------------------------------|------------------------------------------------------------------------------------------------------------------------------------------------------------------------------------------------------------------------------------------------------------------------------------------------------------------------------------------------|-------------------------------------------------------------------------------------------------------------------------------------------------------------------------------------------------------------------------------------------------------------------------------------------------------------------------------------------------------------------------------------------------------------------------------------------------------|
| <p>60 shot</p>  | <p>21: 8,8 ↓<br/>                 22: 9,4 ↓<br/>                 23: 9,8 →<br/>                 24: 8,8 ↗<br/>                 25: 10,2* ←<br/>                 26: 9,0 ↑<br/>                 27: 10,4* →<br/>                 28: 9,3 ↗<br/>                 29: 9,7 ↘<br/>                 30: 9,6 ↘</p> <p>Serie 90,0<br/>Totalt 275,0</p> | <p>60 shot</p>  <p>31: 9,9 ↓<br/>                 32: 10,4* ↓<br/>                 33: 9,3 ←<br/>                 34: 10,1 ↙<br/>                 35: 8,9 →<br/>                 36: 10,3* ↑<br/>                 37: 10,5* ←<br/>                 38: 9,1 →<br/>                 39: 9,2 ↑<br/>                 40: 7,7 ↗</p> <p>Serie 91,0<br/>Totalt 366,0</p> |
|---------------------------------------------------------------------------------------------------|------------------------------------------------------------------------------------------------------------------------------------------------------------------------------------------------------------------------------------------------------------------------------------------------------------------------------------------------|-------------------------------------------------------------------------------------------------------------------------------------------------------------------------------------------------------------------------------------------------------------------------------------------------------------------------------------------------------------------------------------------------------------------------------------------------------|

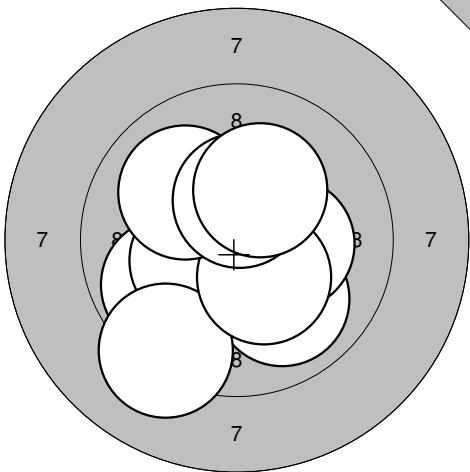
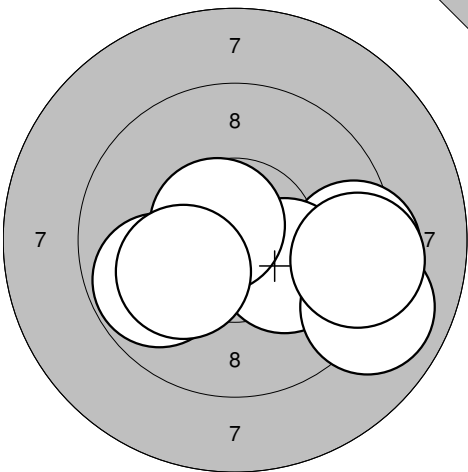
|                                                                                                   |                                                                                                                                                                                                                                                                                                                                                     |                                                                                                                                                                                                                                                                                                                                                                                                                                                         |
|---------------------------------------------------------------------------------------------------|-----------------------------------------------------------------------------------------------------------------------------------------------------------------------------------------------------------------------------------------------------------------------------------------------------------------------------------------------------|---------------------------------------------------------------------------------------------------------------------------------------------------------------------------------------------------------------------------------------------------------------------------------------------------------------------------------------------------------------------------------------------------------------------------------------------------------|
| <p>60 shot</p>  | <p>41: 8,7 ↑<br/>                 42: 9,3 ↗<br/>                 43: 10,5* ↗<br/>                 44: 9,5 ↙<br/>                 45: 9,5 ↓<br/>                 46: 10,6* →<br/>                 47: 10,5* ↘<br/>                 48: 10,0 ←<br/>                 49: 10,5* ↓<br/>                 50: 9,4 ←</p> <p>Serie 94,0<br/>Totalt 460,0</p> | <p>60 shot</p>  <p>51: 10,0 ↗<br/>                 52: 10,6* ↙<br/>                 53: 9,9 ↓<br/>                 54: 9,3 ↗<br/>                 55: 10,2* ←<br/>                 56: 9,9 ↗<br/>                 57: 10,2* ↗<br/>                 58: 9,6 →<br/>                 59: 10,3* ←<br/>                 60: 8,9 ←</p> <p>Serie 94,0<br/>Totalt 554,0</p> |
|---------------------------------------------------------------------------------------------------|-----------------------------------------------------------------------------------------------------------------------------------------------------------------------------------------------------------------------------------------------------------------------------------------------------------------------------------------------------|---------------------------------------------------------------------------------------------------------------------------------------------------------------------------------------------------------------------------------------------------------------------------------------------------------------------------------------------------------------------------------------------------------------------------------------------------------|

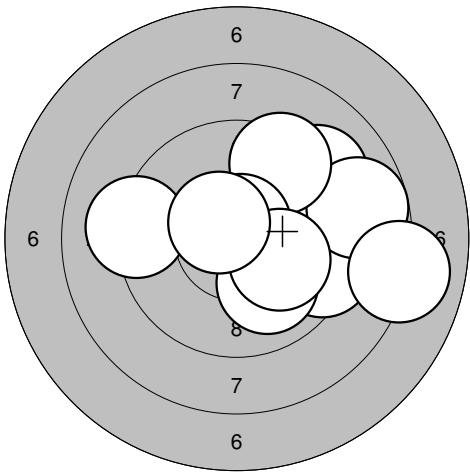
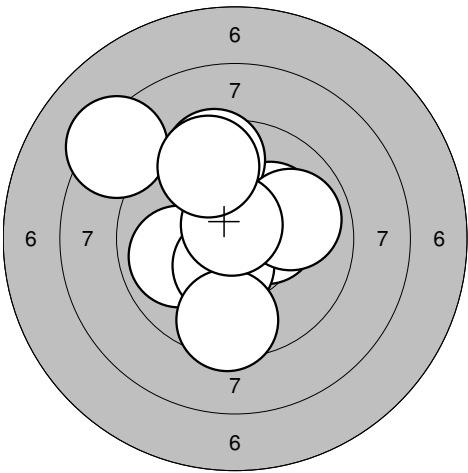
|                                                                                               |                                                                                                                                                                            |                                                                                                 |                                                                                                                                                                                   |
|-----------------------------------------------------------------------------------------------|----------------------------------------------------------------------------------------------------------------------------------------------------------------------------|-------------------------------------------------------------------------------------------------|-----------------------------------------------------------------------------------------------------------------------------------------------------------------------------------|
| <p>Sight</p>  | <p>1: 8,5 ↗<br/>2: 10,5* →<br/>3: 7,8 ↖<br/>4: 8,6 ↗<br/>5: 8,7 ↖<br/>6: 1,0 ↑<br/>7: 9,6 ←<br/>8: 10,3* ←<br/>9: 1,3 ←<br/>10: 9,3 →</p> <p>Serie 71,0<br/>Totalt 0,0</p> | <p>Sight</p>  | <p>11: 9,3 ↑<br/>12: 8,9 ↗<br/>13: 10,1 ↗<br/>14: 8,9 ↖<br/>15: 8,7 ↖<br/>16: 7,3 →<br/>17: 8,9 ↖<br/>18: 10,1 ↓<br/>19: 9,8 ↖<br/>20: 8,7 →</p> <p>Serie 85,0<br/>Totalt 0,0</p> |
|-----------------------------------------------------------------------------------------------|----------------------------------------------------------------------------------------------------------------------------------------------------------------------------|-------------------------------------------------------------------------------------------------|-----------------------------------------------------------------------------------------------------------------------------------------------------------------------------------|

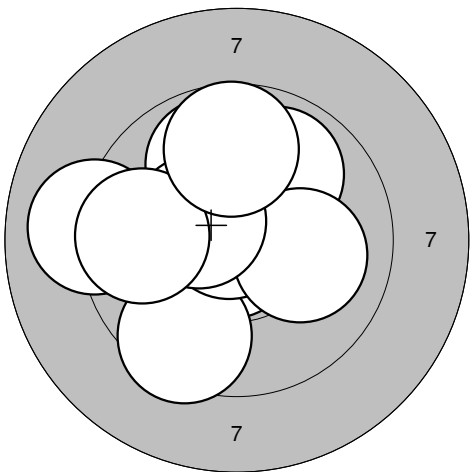
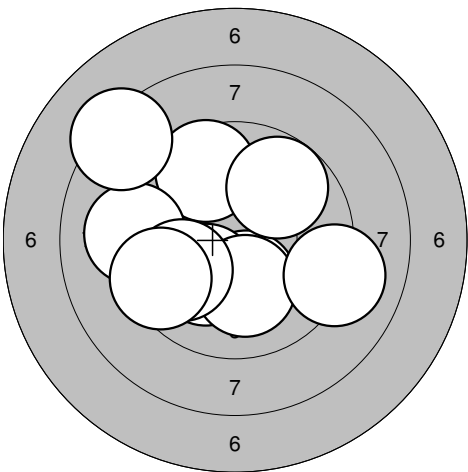
|                                                                                                |                                                                                                                                                        |                                                                                                    |                                                                                                                                                                           |
|------------------------------------------------------------------------------------------------|--------------------------------------------------------------------------------------------------------------------------------------------------------|----------------------------------------------------------------------------------------------------|---------------------------------------------------------------------------------------------------------------------------------------------------------------------------|
| <p>Sight</p>  | <p>21: 8,2 →<br/>22: 10,5* →<br/>23: 7,6 ←<br/>24: 10,0 ←<br/>25: 9,3 ↗<br/>26: 9,0 ↓<br/>27: 9,4 →<br/>28: 7,3 →</p> <p>Serie 69,0<br/>Totalt 0,0</p> | <p>60 shot</p>  | <p>1: 9,1 ↗<br/>2: 7,7 →<br/>3: 8,2 ↗<br/>4: 7,4 ↖<br/>5: 5,7 →<br/>6: 7,5 ↗<br/>7: 9,6 ←<br/>8: 10,5* →<br/>9: 8,3 ←<br/>10: 6,1 ↗</p> <p>Serie 76,0<br/>Totalt 76,0</p> |
|------------------------------------------------------------------------------------------------|--------------------------------------------------------------------------------------------------------------------------------------------------------|----------------------------------------------------------------------------------------------------|---------------------------------------------------------------------------------------------------------------------------------------------------------------------------|

|                                                                                                   |                                                                                                                                                                                    |                                                                                                     |                                                                                                                                                                                   |
|---------------------------------------------------------------------------------------------------|------------------------------------------------------------------------------------------------------------------------------------------------------------------------------------|-----------------------------------------------------------------------------------------------------|-----------------------------------------------------------------------------------------------------------------------------------------------------------------------------------|
| <p>60 shot</p>  | <p>11: 9,7 ↓<br/>12: 10,0 →<br/>13: 7,1 ←<br/>14: 9,1 ↑<br/>15: 9,7 →<br/>16: 6,9 ↖<br/>17: 9,1 ↓<br/>18: 7,4 ↓<br/>19: 6,8 ↑<br/>20: 8,4 ↑</p> <p>Serie 80,0<br/>Totalt 156,0</p> | <p>60 shot</p>  | <p>21: 6,0 ←<br/>22: 9,3 →<br/>23: 9,8 ↓<br/>24: 9,4 ↓<br/>25: 9,3 ←<br/>26: 8,6 →<br/>27: 8,5 ↗<br/>28: 4,9 ←<br/>29: 7,8 ↓<br/>30: 6,9 ↖</p> <p>Serie 75,0<br/>Totalt 231,0</p> |
|---------------------------------------------------------------------------------------------------|------------------------------------------------------------------------------------------------------------------------------------------------------------------------------------|-----------------------------------------------------------------------------------------------------|-----------------------------------------------------------------------------------------------------------------------------------------------------------------------------------|

|                                                                                                   |                                                                                                                                                                                    |  |  |
|---------------------------------------------------------------------------------------------------|------------------------------------------------------------------------------------------------------------------------------------------------------------------------------------|--|--|
| <p>60 shot</p>  | <p>31: 7,9 →<br/>32: 5,4 ↖<br/>33: 9,4 →<br/>34: 2,5 →<br/>35: 8,5 ↖<br/>36: 10,0 →<br/>37: 9,7 ↑<br/>38: 6,8 ↖<br/>39: 8,5 →<br/>40: 9,7 ↗</p> <p>Serie 73,0<br/>Totalt 304,0</p> |  |  |
|---------------------------------------------------------------------------------------------------|------------------------------------------------------------------------------------------------------------------------------------------------------------------------------------|--|--|

|                                                                                           |             |                                                                                             |             |
|-------------------------------------------------------------------------------------------|-------------|---------------------------------------------------------------------------------------------|-------------|
| Sight<br> | 1: 9,9 ↙    | Sight<br> | 11: 9,8 ↙   |
|                                                                                           | 2: 10,0 ↘   |                                                                                             | 12: 9,4 →   |
|                                                                                           | 3: 10,4* ↙  |                                                                                             | 13: 10,2* ↘ |
|                                                                                           | 4: 10,4* →  |                                                                                             | 14: 10,7* ↗ |
|                                                                                           | 5: 9,2 ↘    |                                                                                             | 15: 9,0 ↘   |
|                                                                                           | 6: 10,3* →  |                                                                                             | 16: 9,3 →   |
|                                                                                           | 7: 10,3* ↘  |                                                                                             | 17: 10,1 ↙  |
|                                                                                           | 8: 10,0 ↗   |                                                                                             |             |
|                                                                                           | 9: 10,4* ↑  |                                                                                             |             |
|                                                                                           | 10: 10,2* ↗ |                                                                                             |             |
|                                                                                           | Serie 98,0  |                                                                                             | Serie 66,0  |
|                                                                                           | Totalt 0,0  |                                                                                             | Totalt 0,0  |

|                                                                                              |             |                                                                                                |              |
|----------------------------------------------------------------------------------------------|-------------|------------------------------------------------------------------------------------------------|--------------|
| 60 shot<br> | 1: 9,3 →    | 60 shot<br> | 11: 10,2* ↗  |
|                                                                                              | 2: 9,1 ↗    |                                                                                                | 12: 8,3 ↖    |
|                                                                                              | 3: 9,2 ←    |                                                                                                | 13: 10,4* →  |
|                                                                                              | 4: 8,7 →    |                                                                                                | 14: 9,9 ←    |
|                                                                                              | 5: 9,4 ↗    |                                                                                                | 15: 9,5 ↑    |
|                                                                                              | 6: 10,7* ↗  |                                                                                                | 16: 10,4* ↘  |
|                                                                                              | 7: 10,0 ↘   |                                                                                                | 17: 9,5 ↓    |
|                                                                                              | 8: 10,1 ↘   |                                                                                                | 18: 9,9 →    |
|                                                                                              | 9: 10,5* ↗  |                                                                                                | 19: 10,7* ↑  |
|                                                                                              | 10: 8,0 →   |                                                                                                | 20: 9,6 ↗    |
|                                                                                              | Serie 92,0  |                                                                                                | Serie 93,0   |
|                                                                                              | Totalt 92,0 |                                                                                                | Totalt 185,0 |

|                                                                                               |              |                                                                                                 |              |
|-----------------------------------------------------------------------------------------------|--------------|-------------------------------------------------------------------------------------------------|--------------|
| 60 shot<br> | 21: 10,8* ↘  | 60 shot<br> | 31: 10,2* ↓  |
|                                                                                               | 22: 9,0 ←    |                                                                                                 | 32: 9,6 ↗    |
|                                                                                               | 23: 9,5 ↘    |                                                                                                 | 33: 9,2 ←    |
|                                                                                               | 24: 10,8* ↗  |                                                                                                 | 34: 10,2* ↘  |
|                                                                                               | 25: 9,9 ↗    |                                                                                                 | 35: 8,3 ↖    |
|                                                                                               | 26: 9,9 ↗    |                                                                                                 | 36: 9,8 ↗    |
|                                                                                               | 27: 10,1 →   |                                                                                                 | 37: 10,1 ↓   |
|                                                                                               | 28: 10,4* ↖  |                                                                                                 | 38: 9,9 ←    |
|                                                                                               | 29: 9,7 ←    |                                                                                                 | 39: 9,1 →    |
|                                                                                               | 30: 9,7 ↑    |                                                                                                 | 40: 9,5 ↙    |
|                                                                                               | Serie 94,0   |                                                                                                 | Serie 92,0   |
|                                                                                               | Totalt 279,0 |                                                                                                 | Totalt 371,0 |

S

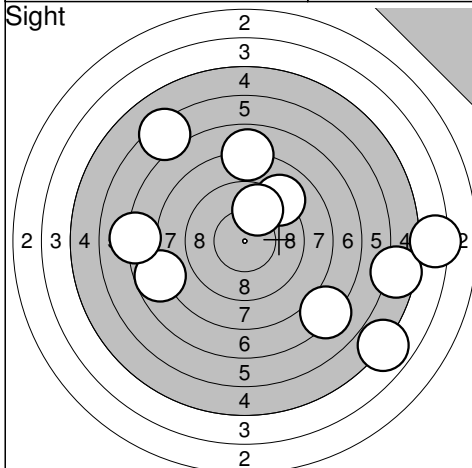
Rönnskär

2013-04-20

UME-Kulan 2013

Umeå skytteallians

Sight

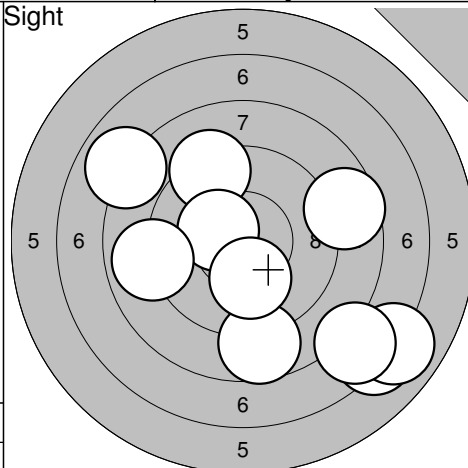


1: 7,2 ↘  
 2: 9,1 ↗  
 3: 8,0 ↑  
 4: 5,5 →  
 5: 4,3 →  
 6: 7,8 ←  
 7: 6,3 ↗  
 8: 4,9 ↘  
 9: 9,8 ↗  
 10: 7,1 ←

Serie 66,0

Totalt 0,0

Sight

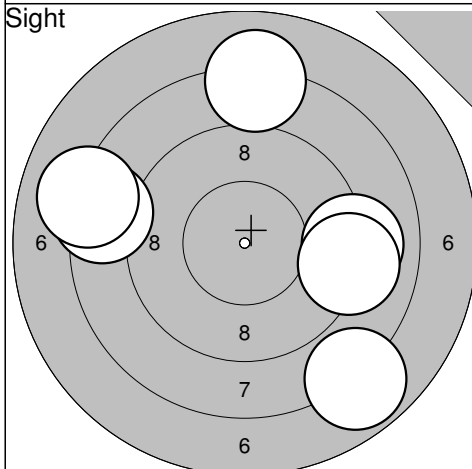


11: 8,7 ↓  
 12: 7,1 ↘  
 13: 6,9 ↘  
 14: 9,3 ↗  
 15: 7,6 ↘  
 16: 10,4\* ↗  
 17: 10,1 ↓  
 18: 8,6 →  
 19: 8,9 ←  
 20: 7,9 ↗

Serie 80,0

Totalt 0,0

Sight

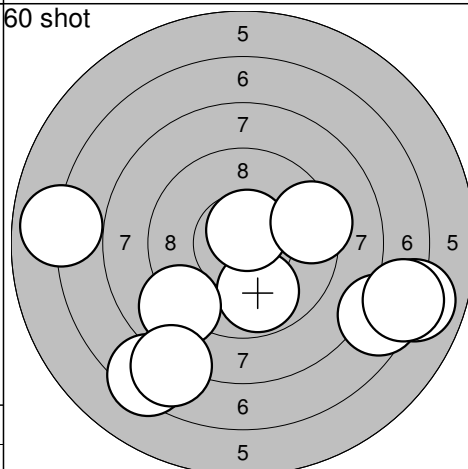


21: 8,4 ←  
 22: 9,0 →  
 23: 7,8 ↘  
 24: 8,1 ↖  
 25: 8,1 ↑  
 26: 9,1 →

Serie 49,0

Totalt 0,0

60 shot

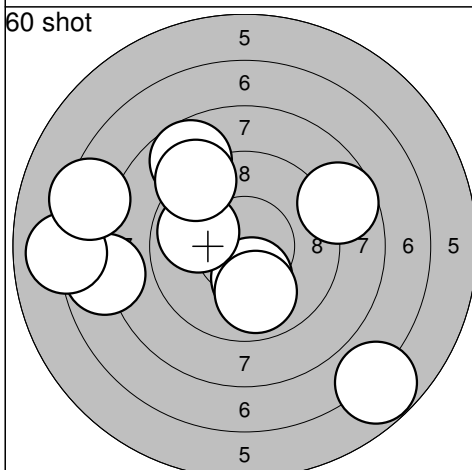


1: 7,0 →  
 2: 7,6 ↘  
 3: 7,0 ←  
 4: 7,2 →  
 5: 9,8 ↓  
 6: 9,0 ↙  
 7: 7,4 ↙  
 8: 10,7\* ↗  
 9: 7,8 ↙  
 10: 9,4 →

Serie 79,0

Totalt 79,0

60 shot

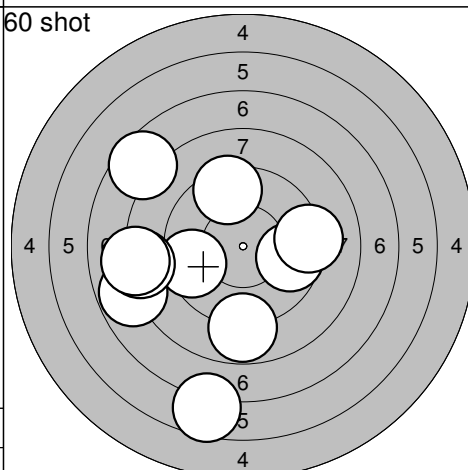


11: 7,8 ←  
 12: 10,2\* ↓  
 13: 8,7 ↗  
 14: 9,9 ↖  
 15: 8,7 →  
 16: 9,9 ↓  
 17: 7,0 ←  
 18: 6,8 ↘  
 19: 9,2 ↗  
 20: 7,4 ←

Serie 80,0

Totalt 159,0

60 shot

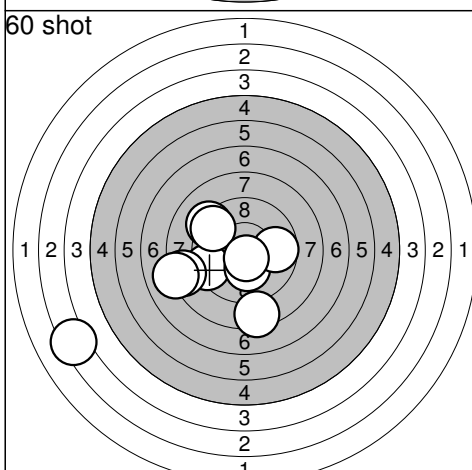


21: 9,5 ←  
 22: 9,7 →  
 23: 7,8 ←  
 24: 9,4 ↗  
 25: 8,2 ←  
 26: 8,8 ↓  
 27: 9,2 →  
 28: 8,1 ←  
 29: 7,6 ↗  
 30: 6,6 ↓

Serie 80,0

Totalt 239,0

60 shot



31: 9,3 ←  
 32: 10,2\* ↓  
 33: 9,2 ↗  
 34: 3,3 ↖  
 35: 8,4 ←  
 36: 9,5 ↗  
 37: 8,1 ←  
 38: 9,7 →  
 39: 8,4 ↓  
 40: 10,6\* ↓

Serie 83,0

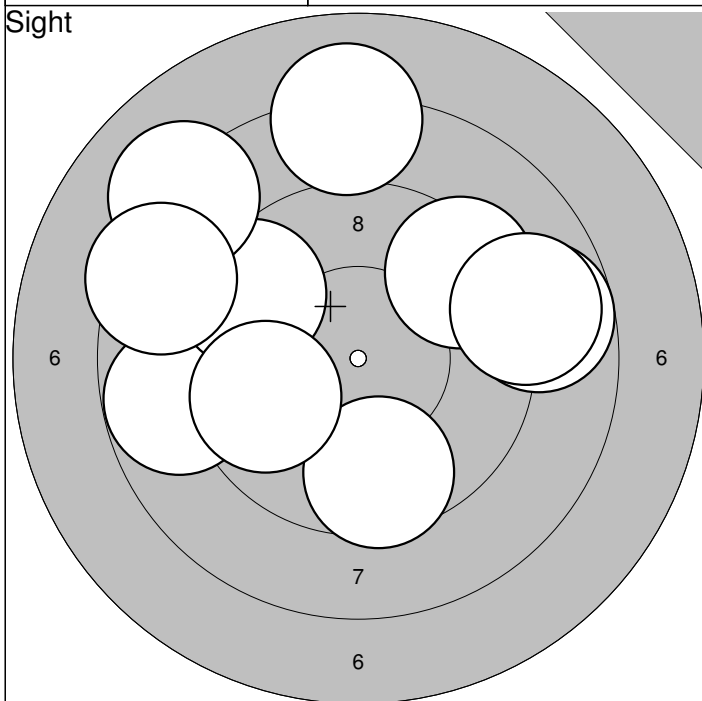
Totalt 322,0

2013-04-20

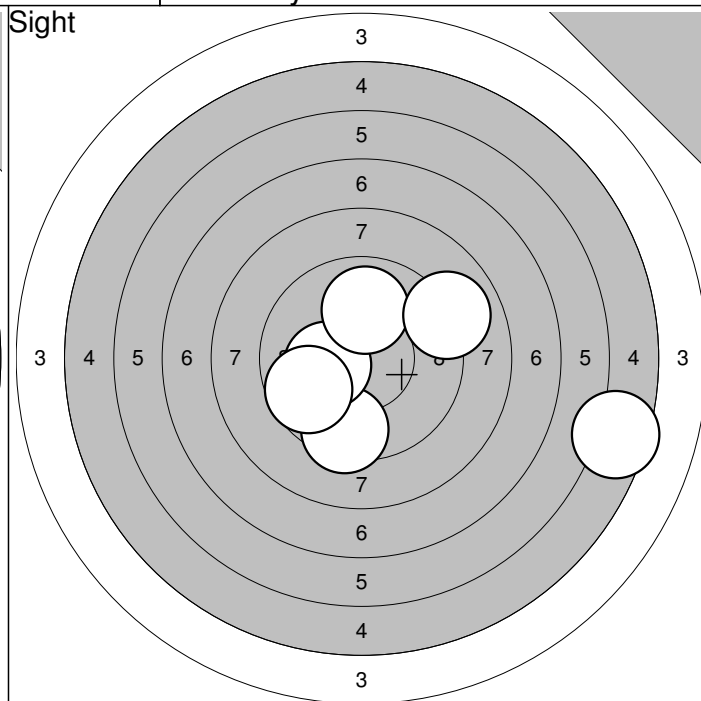
UME-Kulan 2013

Umeå skytteallians

Sight



Sight



1: 8,1



6: 8,7



Serie

84,0

2: 8,8



7: 8,1



Totalt

0,0

3: 9,4



8: 9,8



4: 9,6



9: 8,4



5: 9,5



10: 8,9



11: 9,4



16: 9,0



Serie

52,0

12: 10,2\*



13: 5,5



14: 9,7



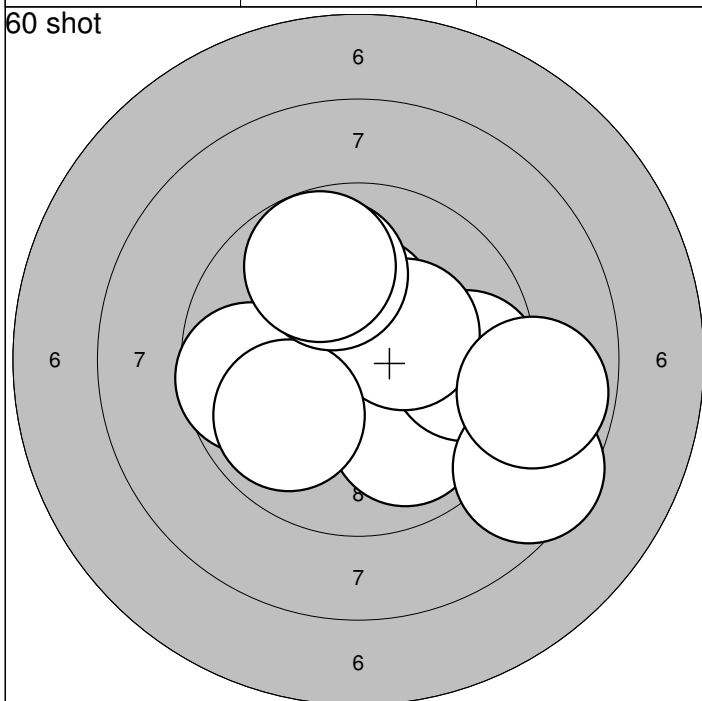
15: 10,0



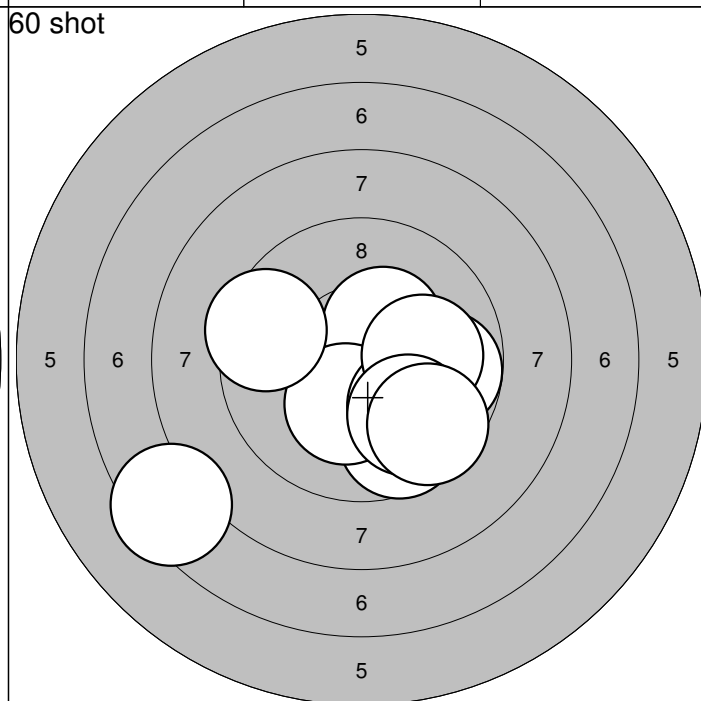
Totalt

0,0

60 shot



60 shot



1: 9,9



6: 9,7



Serie

90,0

2: 9,7



7: 8,8



3: 10,4\*



8: 9,9



Totalt

90,0

4: 10,3\*



9: 9,9



5: 8,5



10: 9,8



11: 7,4



16: 9,8



Serie

92,0

12: 9,7



17: 10,0



13: 10,4\*



18: 10,0



14: 10,3\*



19: 9,9



15: 9,5



20: 9,6



Totalt

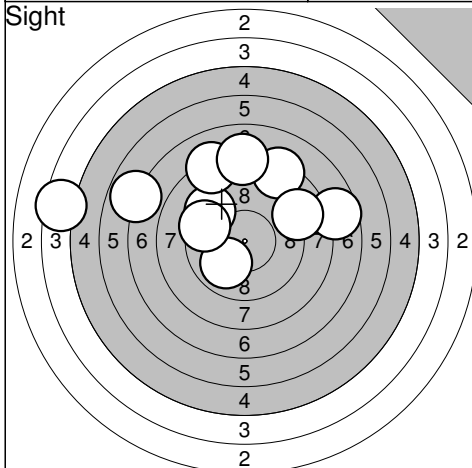
182,0

2013-04-20

UME-Kulan 2013

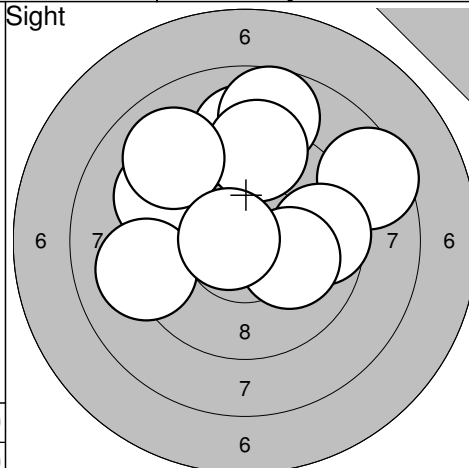
Umeå skytteallians

Sight



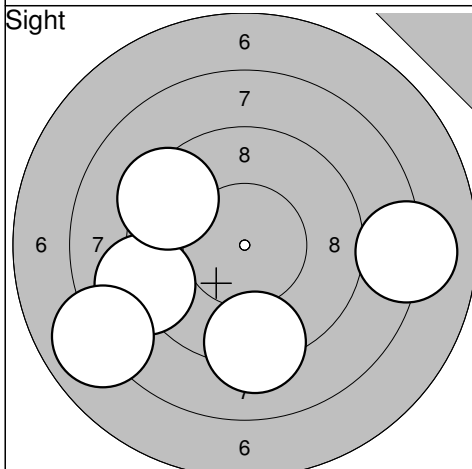
|        |      |
|--------|------|
| Serie  | 77,0 |
| Totalt | 0,0  |

Sight



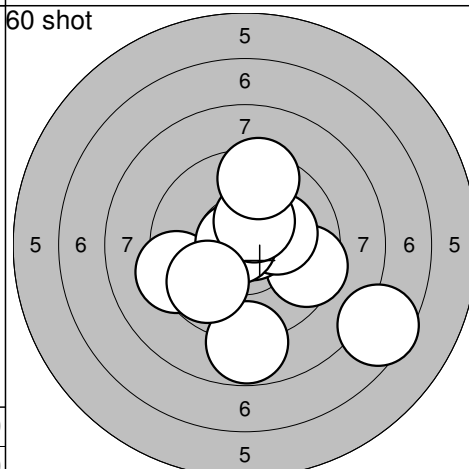
|        |      |
|--------|------|
| Serie  | 90,0 |
| Totalt | 0,0  |

Sight



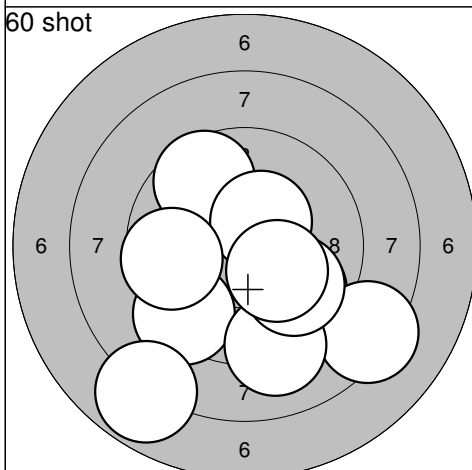
|        |      |
|--------|------|
| Serie  | 43,0 |
| Totalt | 0,0  |

60 shot



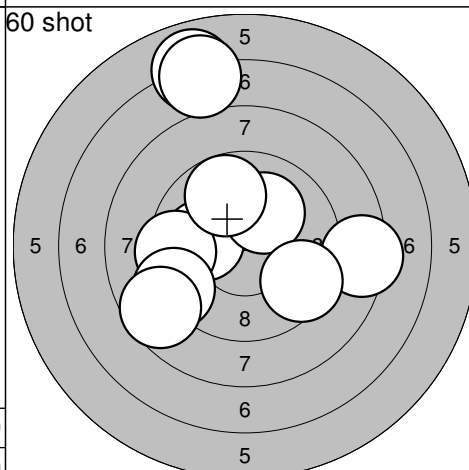
|        |      |
|--------|------|
| Serie  | 91,0 |
| Totalt | 91,0 |

60 shot



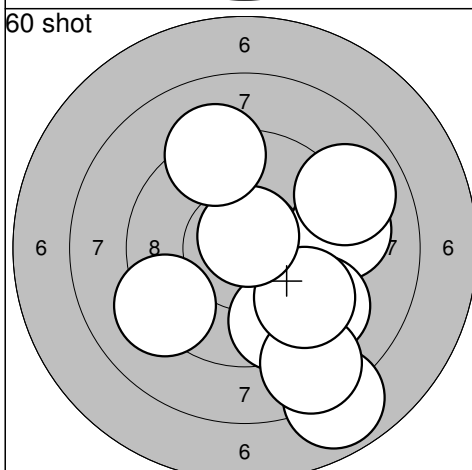
|        |       |
|--------|-------|
| Serie  | 89,0  |
| Totalt | 180,0 |

60 shot

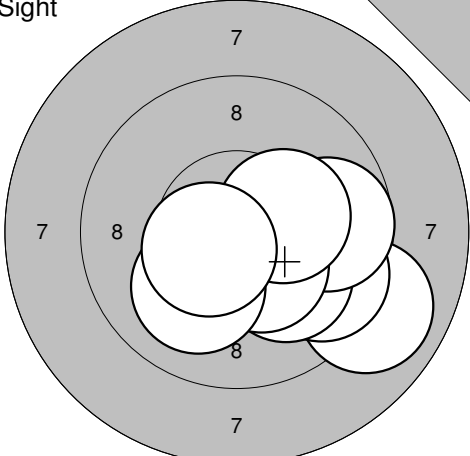
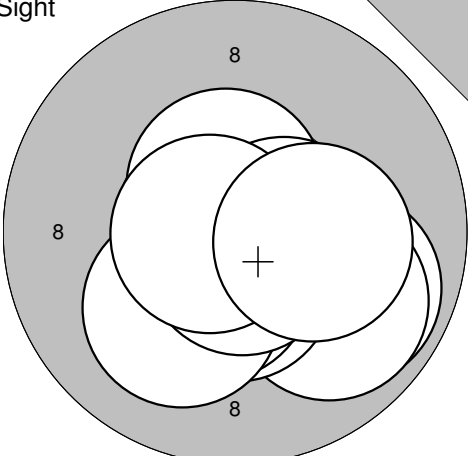


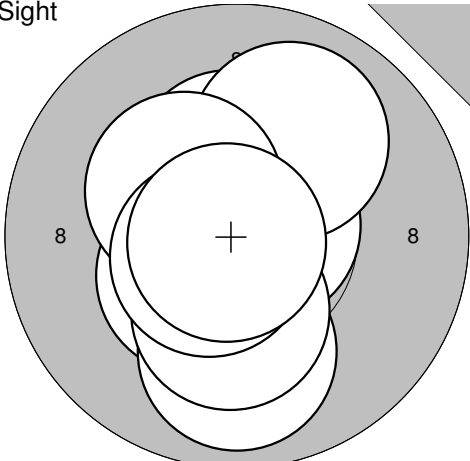
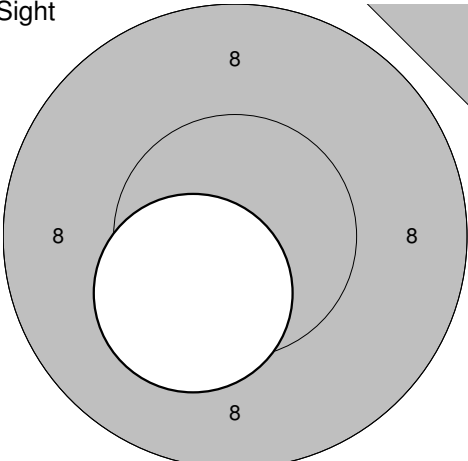
|        |       |
|--------|-------|
| Serie  | 85,0  |
| Totalt | 265,0 |

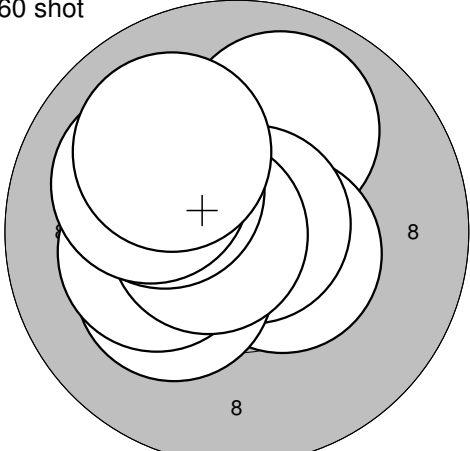
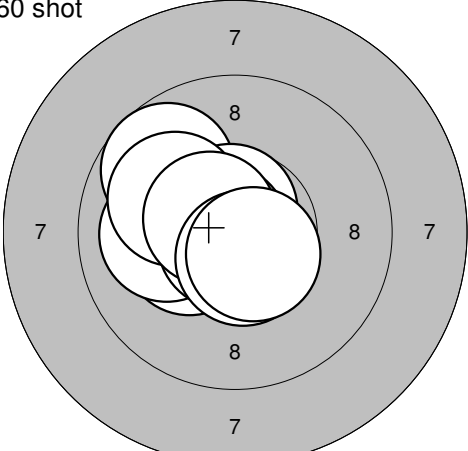
60 shot

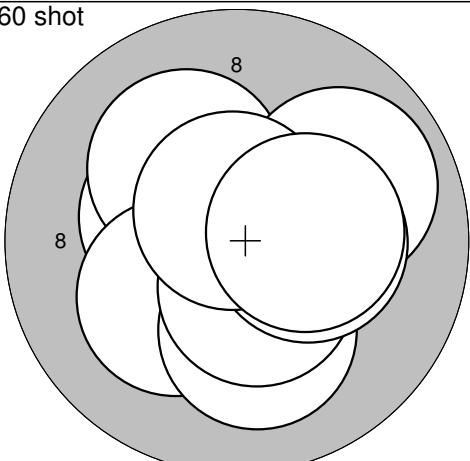
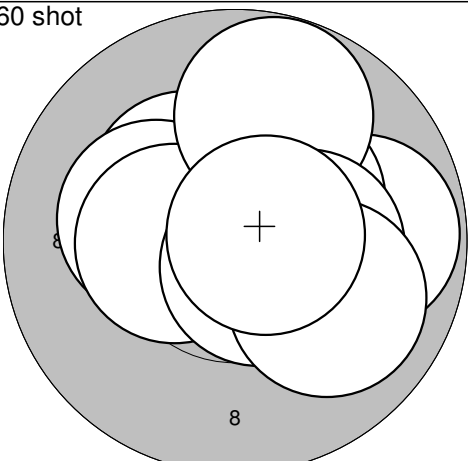


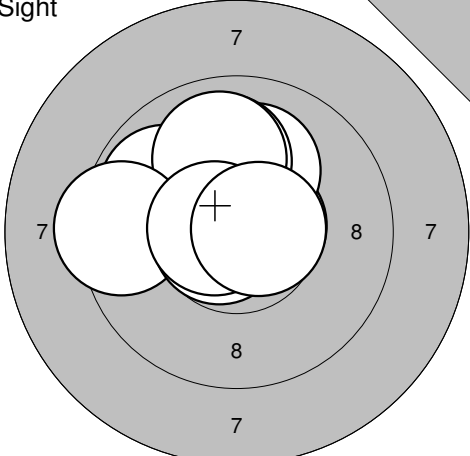
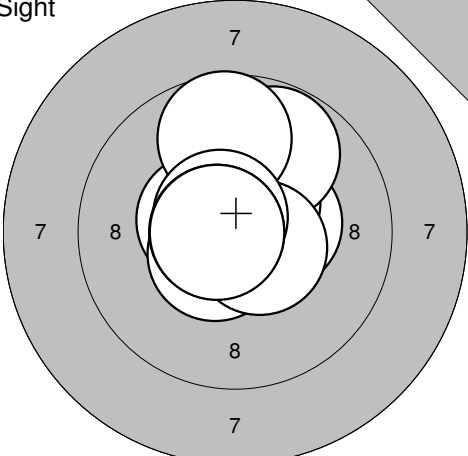
|        |       |
|--------|-------|
| Serie  | 87,0  |
| Totalt | 352,0 |

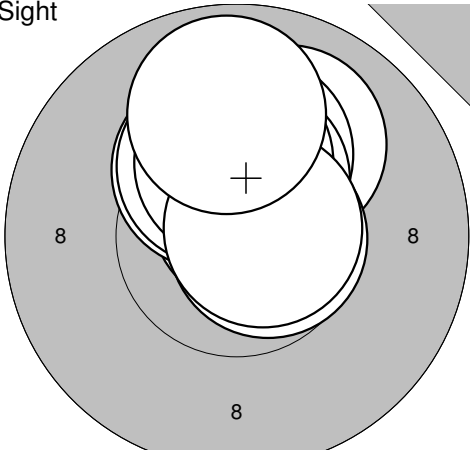
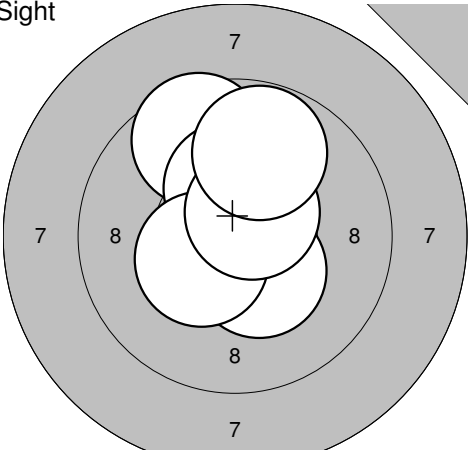
|                                                                                               |                                                                                                                                                                                                                                                                                                                                                                                                                                                               |       |      |        |     |                                                                                                 |                                                                                                                                                                                                                                                                                                                                                                                                                                                                              |       |       |        |     |
|-----------------------------------------------------------------------------------------------|---------------------------------------------------------------------------------------------------------------------------------------------------------------------------------------------------------------------------------------------------------------------------------------------------------------------------------------------------------------------------------------------------------------------------------------------------------------|-------|------|--------|-----|-------------------------------------------------------------------------------------------------|------------------------------------------------------------------------------------------------------------------------------------------------------------------------------------------------------------------------------------------------------------------------------------------------------------------------------------------------------------------------------------------------------------------------------------------------------------------------------|-------|-------|--------|-----|
| <p>Sight</p>  | <p>1: 9,7 →<br/>                 2: 9,0 ↘<br/>                 3: 10,4* ↘<br/>                 4: 9,7 ↘<br/>                 5: 10,1 ↘<br/>                 6: 9,7 →<br/>                 7: 10,4* ↘<br/>                 8: 10,1 ↘<br/>                 9: 10,3* →<br/>                 10: 10,5* ↙</p> <table border="1" style="width:100%; border-collapse: collapse;"> <tr><td>Serie</td><td>99,9</td></tr> <tr><td>Totalt</td><td>0,0</td></tr> </table> | Serie | 99,9 | Totalt | 0,0 | <p>Sight</p>  | <p>11: 9,9 →<br/>                 12: 9,9 ↘<br/>                 13: 10,5* ↑<br/>                 14: 10,5* ↓<br/>                 15: 10,5* →<br/>                 16: 10,5* ↓<br/>                 17: 10,1 ↘<br/>                 18: 10,7* ↓<br/>                 19: 10,7* ←<br/>                 20: 10,2* →</p> <table border="1" style="width:100%; border-collapse: collapse;"> <tr><td>Serie</td><td>103,5</td></tr> <tr><td>Totalt</td><td>0,0</td></tr> </table> | Serie | 103,5 | Totalt | 0,0 |
| Serie                                                                                         | 99,9                                                                                                                                                                                                                                                                                                                                                                                                                                                          |       |      |        |     |                                                                                                 |                                                                                                                                                                                                                                                                                                                                                                                                                                                                              |       |       |        |     |
| Totalt                                                                                        | 0,0                                                                                                                                                                                                                                                                                                                                                                                                                                                           |       |      |        |     |                                                                                                 |                                                                                                                                                                                                                                                                                                                                                                                                                                                                              |       |       |        |     |
| Serie                                                                                         | 103,5                                                                                                                                                                                                                                                                                                                                                                                                                                                         |       |      |        |     |                                                                                                 |                                                                                                                                                                                                                                                                                                                                                                                                                                                                              |       |       |        |     |
| Totalt                                                                                        | 0,0                                                                                                                                                                                                                                                                                                                                                                                                                                                           |       |      |        |     |                                                                                                 |                                                                                                                                                                                                                                                                                                                                                                                                                                                                              |       |       |        |     |

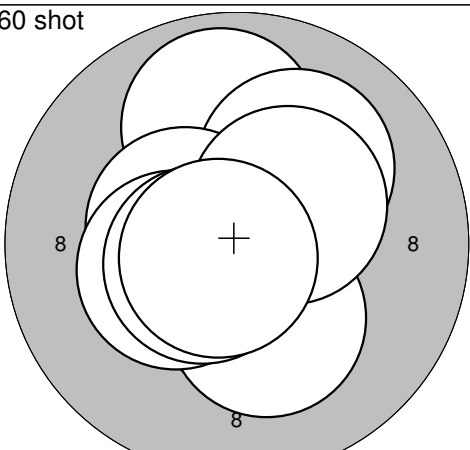
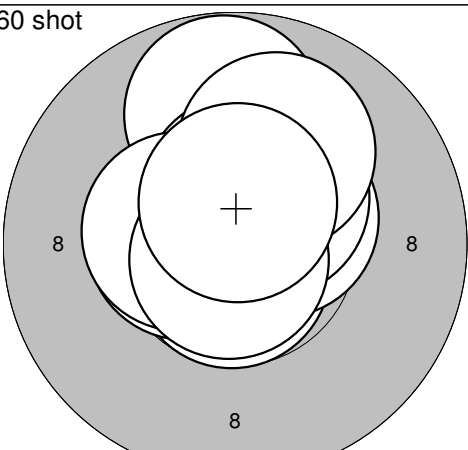
|                                                                                                |                                                                                                                                                                                                                                                                                                                                                                                                                                                                                |       |       |        |     |                                                                                                  |                                                                                                                                                                         |       |      |        |     |
|------------------------------------------------------------------------------------------------|--------------------------------------------------------------------------------------------------------------------------------------------------------------------------------------------------------------------------------------------------------------------------------------------------------------------------------------------------------------------------------------------------------------------------------------------------------------------------------|-------|-------|--------|-----|--------------------------------------------------------------------------------------------------|-------------------------------------------------------------------------------------------------------------------------------------------------------------------------|-------|------|--------|-----|
| <p>Sight</p>  | <p>21: 10,7* ↑<br/>                 22: 10,4* ↙<br/>                 23: 10,3* ↑<br/>                 24: 10,7* →<br/>                 25: 10,0 ↗<br/>                 26: 10,3* ↖<br/>                 27: 9,9 ↓<br/>                 28: 10,3* ↓<br/>                 29: 10,6* ↙<br/>                 30: 10,8* ↙</p> <table border="1" style="width:100%; border-collapse: collapse;"> <tr><td>Serie</td><td>104,0</td></tr> <tr><td>Totalt</td><td>0,0</td></tr> </table> | Serie | 104,0 | Totalt | 0,0 | <p>Sight</p>  | <p>31: 10,3* ↙</p> <table border="1" style="width:100%; border-collapse: collapse;"> <tr><td>Serie</td><td>10,3</td></tr> <tr><td>Totalt</td><td>0,0</td></tr> </table> | Serie | 10,3 | Totalt | 0,0 |
| Serie                                                                                          | 104,0                                                                                                                                                                                                                                                                                                                                                                                                                                                                          |       |       |        |     |                                                                                                  |                                                                                                                                                                         |       |      |        |     |
| Totalt                                                                                         | 0,0                                                                                                                                                                                                                                                                                                                                                                                                                                                                            |       |       |        |     |                                                                                                  |                                                                                                                                                                         |       |      |        |     |
| Serie                                                                                          | 10,3                                                                                                                                                                                                                                                                                                                                                                                                                                                                           |       |       |        |     |                                                                                                  |                                                                                                                                                                         |       |      |        |     |
| Totalt                                                                                         | 0,0                                                                                                                                                                                                                                                                                                                                                                                                                                                                            |       |       |        |     |                                                                                                  |                                                                                                                                                                         |       |      |        |     |

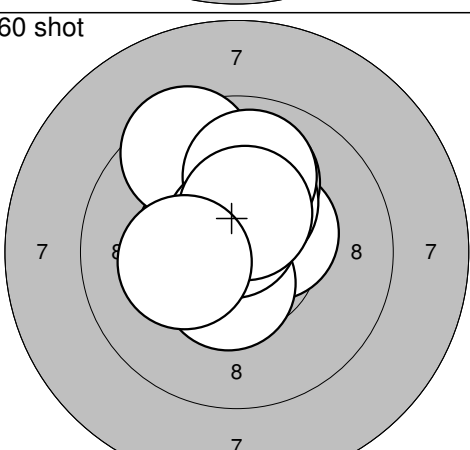
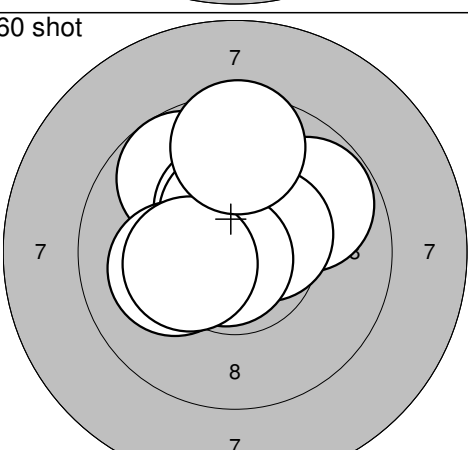
|                                                                                                   |                                                                                                                                                                                                                                                                                                                                                                                                                                                                        |       |       |        |       |                                                                                                     |                                                                                                                                                                                                                                                                                                                                                                                                                                                                                 |       |       |        |       |
|---------------------------------------------------------------------------------------------------|------------------------------------------------------------------------------------------------------------------------------------------------------------------------------------------------------------------------------------------------------------------------------------------------------------------------------------------------------------------------------------------------------------------------------------------------------------------------|-------|-------|--------|-------|-----------------------------------------------------------------------------------------------------|---------------------------------------------------------------------------------------------------------------------------------------------------------------------------------------------------------------------------------------------------------------------------------------------------------------------------------------------------------------------------------------------------------------------------------------------------------------------------------|-------|-------|--------|-------|
| <p>60 shot</p>  | <p>1: 9,9 ↗<br/>                 2: 10,5* →<br/>                 3: 10,8* →<br/>                 4: 10,2* ↙<br/>                 5: 10,2* ←<br/>                 6: 10,2* ↗<br/>                 7: 10,7* ←<br/>                 8: 10,2* ↗<br/>                 9: 10,1 ↗<br/>                 10: 10,0 ↗</p> <table border="1" style="width:100%; border-collapse: collapse;"> <tr><td>Serie</td><td>102,8</td></tr> <tr><td>Totalt</td><td>102,8</td></tr> </table> | Serie | 102,8 | Totalt | 102,8 | <p>60 shot</p>  | <p>11: 9,7 ↖<br/>                 12: 10,3* ↙<br/>                 13: 10,7* ↑<br/>                 14: 10,8* ←<br/>                 15: 10,0 ←<br/>                 16: 10,8* ↙<br/>                 17: 10,0 ↗<br/>                 18: 10,6* ↗<br/>                 19: 10,6* ↓<br/>                 20: 10,6* ↘</p> <table border="1" style="width:100%; border-collapse: collapse;"> <tr><td>Serie</td><td>104,1</td></tr> <tr><td>Totalt</td><td>206,9</td></tr> </table> | Serie | 104,1 | Totalt | 206,9 |
| Serie                                                                                             | 102,8                                                                                                                                                                                                                                                                                                                                                                                                                                                                  |       |       |        |       |                                                                                                     |                                                                                                                                                                                                                                                                                                                                                                                                                                                                                 |       |       |        |       |
| Totalt                                                                                            | 102,8                                                                                                                                                                                                                                                                                                                                                                                                                                                                  |       |       |        |       |                                                                                                     |                                                                                                                                                                                                                                                                                                                                                                                                                                                                                 |       |       |        |       |
| Serie                                                                                             | 104,1                                                                                                                                                                                                                                                                                                                                                                                                                                                                  |       |       |        |       |                                                                                                     |                                                                                                                                                                                                                                                                                                                                                                                                                                                                                 |       |       |        |       |
| Totalt                                                                                            | 206,9                                                                                                                                                                                                                                                                                                                                                                                                                                                                  |       |       |        |       |                                                                                                     |                                                                                                                                                                                                                                                                                                                                                                                                                                                                                 |       |       |        |       |

|                                                                                                   |                                                                                                                                                                                                                                                                                                                                                                                                                                                                                  |       |       |        |       |                                                                                                     |                                                                                                                                                                                                                                                                                                                                                                                                                                                                                |       |       |        |       |
|---------------------------------------------------------------------------------------------------|----------------------------------------------------------------------------------------------------------------------------------------------------------------------------------------------------------------------------------------------------------------------------------------------------------------------------------------------------------------------------------------------------------------------------------------------------------------------------------|-------|-------|--------|-------|-----------------------------------------------------------------------------------------------------|--------------------------------------------------------------------------------------------------------------------------------------------------------------------------------------------------------------------------------------------------------------------------------------------------------------------------------------------------------------------------------------------------------------------------------------------------------------------------------|-------|-------|--------|-------|
| <p>60 shot</p>  | <p>21: 10,7* ↖<br/>                 22: 10,4* ↖<br/>                 23: 10,2* ↗<br/>                 24: 9,9 →<br/>                 25: 10,2* ↘<br/>                 26: 10,1 ↓<br/>                 27: 10,5* ↘<br/>                 28: 10,3* →<br/>                 29: 10,7* ↑<br/>                 30: 10,3* →</p> <table border="1" style="width:100%; border-collapse: collapse;"> <tr><td>Serie</td><td>103,3</td></tr> <tr><td>Totalt</td><td>310,2</td></tr> </table> | Serie | 103,3 | Totalt | 310,2 | <p>60 shot</p>  | <p>31: 9,8 →<br/>                 32: 10,3* ↗<br/>                 33: 10,2* ←<br/>                 34: 10,4* ←<br/>                 35: 10,4* ↗<br/>                 36: 9,8 ↑<br/>                 37: 10,3* →<br/>                 38: 10,6* ↘<br/>                 39: 10,0 →<br/>                 40: 10,7* →</p> <table border="1" style="width:100%; border-collapse: collapse;"> <tr><td>Serie</td><td>102,5</td></tr> <tr><td>Totalt</td><td>412,7</td></tr> </table> | Serie | 102,5 | Totalt | 412,7 |
| Serie                                                                                             | 103,3                                                                                                                                                                                                                                                                                                                                                                                                                                                                            |       |       |        |       |                                                                                                     |                                                                                                                                                                                                                                                                                                                                                                                                                                                                                |       |       |        |       |
| Totalt                                                                                            | 310,2                                                                                                                                                                                                                                                                                                                                                                                                                                                                            |       |       |        |       |                                                                                                     |                                                                                                                                                                                                                                                                                                                                                                                                                                                                                |       |       |        |       |
| Serie                                                                                             | 102,5                                                                                                                                                                                                                                                                                                                                                                                                                                                                            |       |       |        |       |                                                                                                     |                                                                                                                                                                                                                                                                                                                                                                                                                                                                                |       |       |        |       |
| Totalt                                                                                            | 412,7                                                                                                                                                                                                                                                                                                                                                                                                                                                                            |       |       |        |       |                                                                                                     |                                                                                                                                                                                                                                                                                                                                                                                                                                                                                |       |       |        |       |

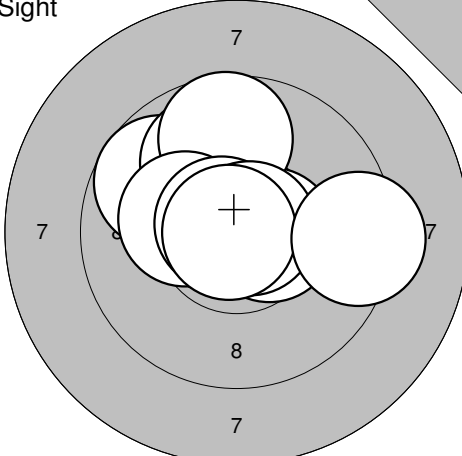
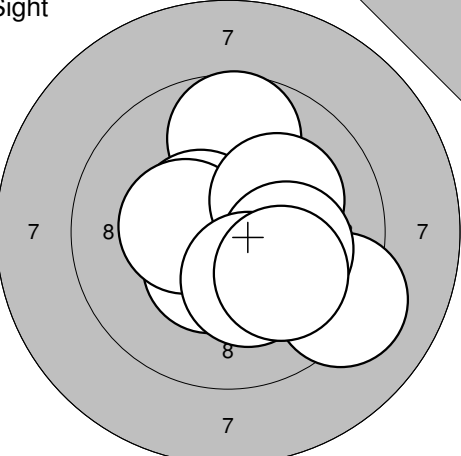
|                                                                                  |                                                                                                                                    |                                                                                    |                                                                                                                                                |
|----------------------------------------------------------------------------------|------------------------------------------------------------------------------------------------------------------------------------|------------------------------------------------------------------------------------|------------------------------------------------------------------------------------------------------------------------------------------------|
| Sight                                                                            | Sight                                                                                                                              |                                                                                    |                                                                                                                                                |
|  | 1: 10,6* →<br>2: 10,5* ←<br>3: 10,1 ↑<br>4: 9,9 ↖<br>5: 10,0 ↑<br>6: 10,0 ↑<br>7: 9,4 ←<br>8: 10,7* ←<br>9: 10,7* ←<br>10: 10,7* → |  | 11: 10,4* →<br>12: 10,5* ↗<br>13: 10,5* ↖<br>14: 9,8 ↗<br>15: 9,7 ↑<br>16: 10,6* ↙<br>17: 10,6* ↘<br>18: 10,7* ↗<br>19: 10,7* ←<br>20: 10,7* ← |
| Serie 102,6                                                                      |                                                                                                                                    | Serie 104,2                                                                        |                                                                                                                                                |
| Totalt 0,0                                                                       |                                                                                                                                    | Totalt 0,0                                                                         |                                                                                                                                                |

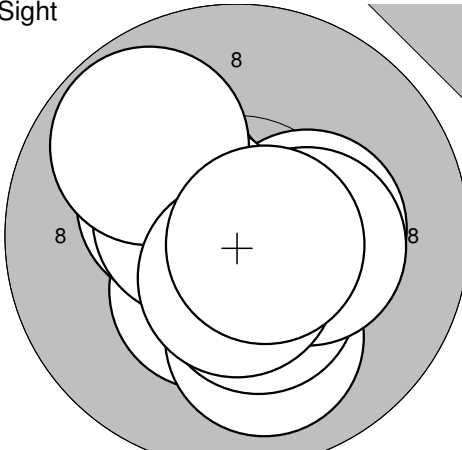
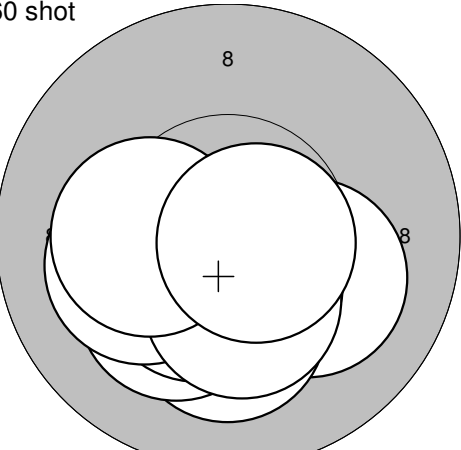
|                                                                                   |                                                                                                                                                 |                                                                                     |                                                                                                                  |
|-----------------------------------------------------------------------------------|-------------------------------------------------------------------------------------------------------------------------------------------------|-------------------------------------------------------------------------------------|------------------------------------------------------------------------------------------------------------------|
| Sight                                                                             | Sight                                                                                                                                           |                                                                                     |                                                                                                                  |
|  | 21: 10,7* ↗<br>22: 10,3* ↗<br>23: 10,3* ↗<br>24: 10,0 ↗<br>25: 10,7* →<br>26: 10,2* ↑<br>27: 10,4* ↑<br>28: 10,3* ↑<br>29: 10,7* →<br>30: 9,9 ↑ |  | 31: 10,7* ↓<br>32: 10,8* ←<br>33: 9,6 ↗<br>34: 10,4* ↘<br>35: 10,3* ↑<br>36: 10,4* ↙<br>37: 10,6* ↗<br>38: 9,8 ↑ |
| Serie 103,5                                                                       |                                                                                                                                                 | Serie 82,6                                                                          |                                                                                                                  |
| Totalt 0,0                                                                        |                                                                                                                                                 | Totalt 0,0                                                                          |                                                                                                                  |

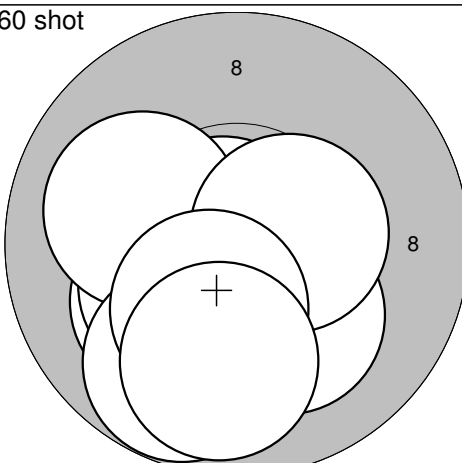
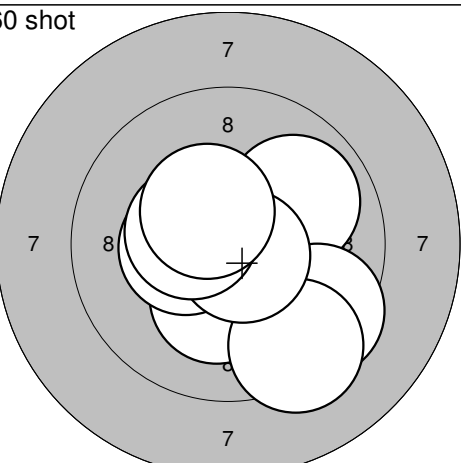
|                                                                                    |                                                                                                                                        |                                                                                      |                                                                                                                                                 |
|------------------------------------------------------------------------------------|----------------------------------------------------------------------------------------------------------------------------------------|--------------------------------------------------------------------------------------|-------------------------------------------------------------------------------------------------------------------------------------------------|
| 60 shot                                                                            | 60 shot                                                                                                                                |                                                                                      |                                                                                                                                                 |
|  | 1: 9,9 ↑<br>2: 10,4* ↓<br>3: 10,1 ↗<br>4: 10,2* ↓<br>5: 10,8* ↖<br>6: 10,5* ↖<br>7: 10,4* ↗<br>8: 10,4* ←<br>9: 10,6* ←<br>10: 10,7* ↙ |  | 11: 9,8 ↑<br>12: 10,5* ↑<br>13: 10,7* ↓<br>14: 10,5* ↗<br>15: 10,4* ↗<br>16: 10,5* ←<br>17: 10,5* ←<br>18: 10,8* ↓<br>19: 10,0 ↑<br>20: 10,6* ↑ |
| Serie 104,0                                                                        |                                                                                                                                        | Serie 104,3                                                                          |                                                                                                                                                 |
| Totalt 104,0                                                                       |                                                                                                                                        | Totalt 208,3                                                                         |                                                                                                                                                 |

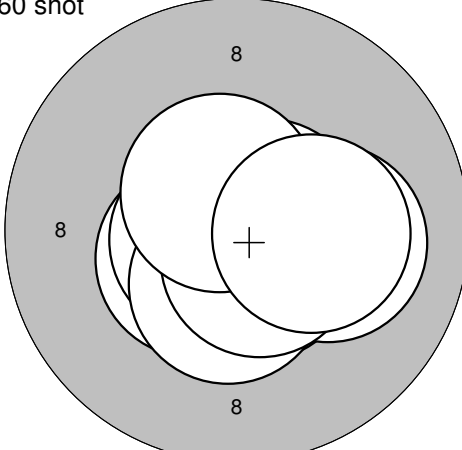
|                                                                                    |                                                                                                                                               |                                                                                      |                                                                                                                                             |
|------------------------------------------------------------------------------------|-----------------------------------------------------------------------------------------------------------------------------------------------|--------------------------------------------------------------------------------------|---------------------------------------------------------------------------------------------------------------------------------------------|
| 60 shot                                                                            | 60 shot                                                                                                                                       |                                                                                      |                                                                                                                                             |
|  | 21: 10,5* ↖<br>22: 10,4* →<br>23: 9,5 ↖<br>24: 10,0 ↑<br>25: 10,3* ↑<br>26: 9,9 ↑<br>27: 10,5* ↓<br>28: 10,7* ↑<br>29: 10,4* ↑<br>30: 10,2* ← |  | 31: 10,2* ↗<br>32: 9,8 ↖<br>33: 10,4* ↗<br>34: 10,5* ↑<br>35: 9,8 ↗<br>36: 10,1 ←<br>37: 10,5* ↗<br>38: 10,8* ↙<br>39: 10,3* ←<br>40: 9,6 ↑ |
| Serie 102,4                                                                        |                                                                                                                                               | Serie 102,0                                                                          |                                                                                                                                             |
| Totalt 310,7                                                                       |                                                                                                                                               | Totalt 412,7                                                                         |                                                                                                                                             |

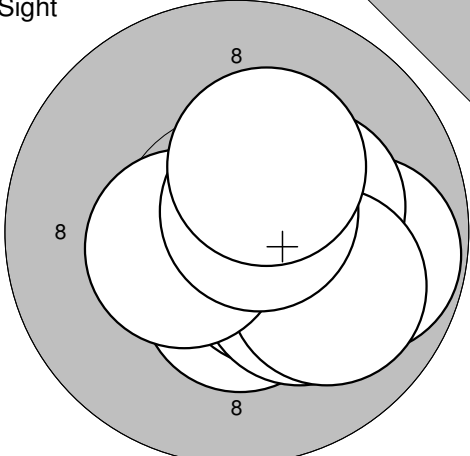
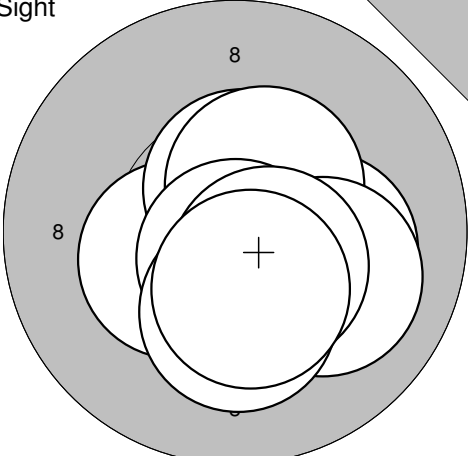


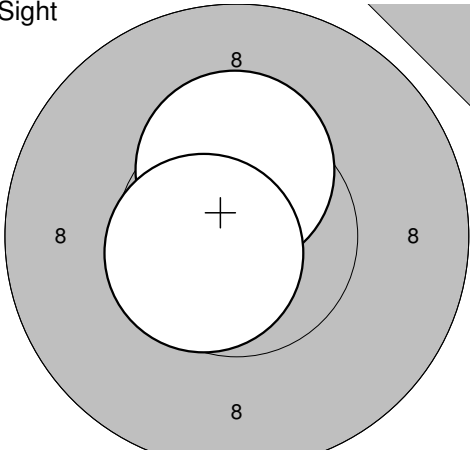
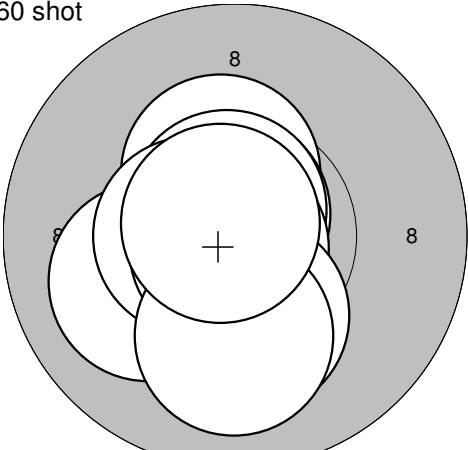
|                                                                                  |                                                                                                                                   |                                                                                    |                                                                                                                                              |
|----------------------------------------------------------------------------------|-----------------------------------------------------------------------------------------------------------------------------------|------------------------------------------------------------------------------------|----------------------------------------------------------------------------------------------------------------------------------------------|
| Sight                                                                            |                                                                                                                                   | Sight                                                                              |                                                                                                                                              |
|  | 1: 10,7* ←<br>2: 9,8 ↗<br>3: 10,5* →<br>4: 9,9 ↗<br>5: 9,7 ↑<br>6: 10,2* ←<br>7: 10,7* ↗<br>8: 10,8* →<br>9: 10,8* ←<br>10: 9,3 → |  | 11: 10,4* ↓<br>12: 9,7 ↑<br>13: 9,2 ↘<br>14: 10,7* ↗<br>15: 10,5* ↗<br>16: 10,4* ←<br>17: 10,2* ↗<br>18: 10,1 →<br>19: 10,3* ↓<br>20: 10,1 ↘ |
|                                                                                  | Serie 102,4                                                                                                                       |                                                                                    | Serie 101,6                                                                                                                                  |
|                                                                                  | Totalt 0,0                                                                                                                        |                                                                                    | Totalt 0,0                                                                                                                                   |

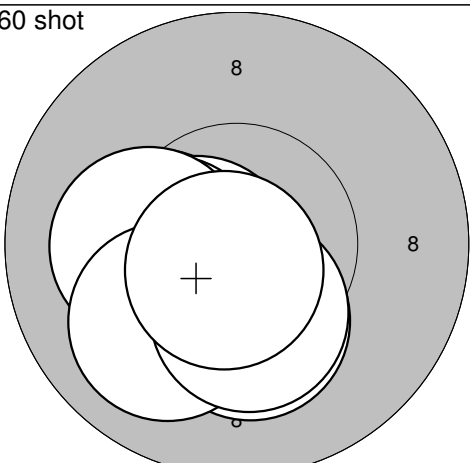
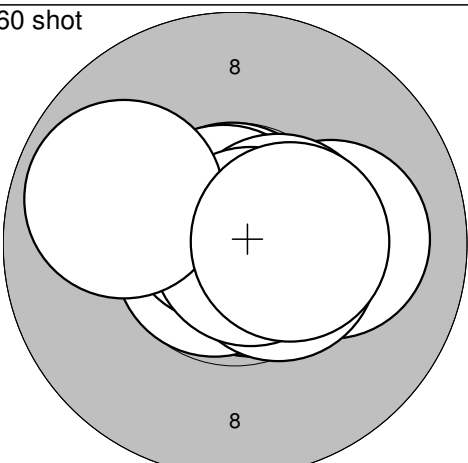
|                                                                                   |                                                                                                                                                 |                                                                                     |                                                                                                                                         |
|-----------------------------------------------------------------------------------|-------------------------------------------------------------------------------------------------------------------------------------------------|-------------------------------------------------------------------------------------|-----------------------------------------------------------------------------------------------------------------------------------------|
| Sight                                                                             |                                                                                                                                                 | 60 shot                                                                             |                                                                                                                                         |
|  | 21: 10,4* ↓<br>22: 10,0 ↓<br>23: 10,3* ↗<br>24: 10,3* →<br>25: 10,4* ↓<br>26: 10,3* →<br>27: 10,5* ↗<br>28: 9,8 ↗<br>29: 10,6* ↓<br>30: 10,7* → |  | 1: 10,8* ↓<br>2: 10,1 →<br>3: 10,2* ↓<br>4: 10,2* ↓<br>5: 10,4* ↓<br>6: 10,1 ←<br>7: 10,5* ↓<br>8: 10,4* ↓<br>9: 10,2* ←<br>10: 10,7* → |
|                                                                                   | Serie 103,3                                                                                                                                     |                                                                                     | Serie 103,6                                                                                                                             |
|                                                                                   | Totalt 0,0                                                                                                                                      |                                                                                     | Totalt 103,6                                                                                                                            |

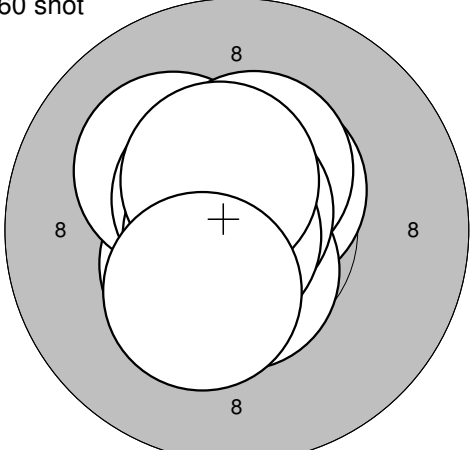
|                                                                                    |                                                                                                                                              |                                                                                      |                                                                                                                                              |
|------------------------------------------------------------------------------------|----------------------------------------------------------------------------------------------------------------------------------------------|--------------------------------------------------------------------------------------|----------------------------------------------------------------------------------------------------------------------------------------------|
| 60 shot                                                                            |                                                                                                                                              | 60 shot                                                                              |                                                                                                                                              |
|  | 11: 10,1 ←<br>12: 10,5* ↓<br>13: 10,8* ↗<br>14: 10,3* ←<br>15: 10,2* ↓<br>16: 10,1 ↗<br>17: 9,8 ↓<br>18: 10,5* →<br>19: 10,3* ↓<br>20: 9,9 ↓ |  | 21: 10,5* ↓<br>22: 10,6* →<br>23: 10,2* ↓<br>24: 9,9 ↗<br>25: 9,5 ↓<br>26: 9,3 ↓<br>27: 10,4* ←<br>28: 10,7* ↓<br>29: 10,4* ↗<br>30: 10,4* ↗ |
|                                                                                    | Serie 102,5                                                                                                                                  |                                                                                      | Serie 101,9                                                                                                                                  |
|                                                                                    | Totalt 206,1                                                                                                                                 |                                                                                      | Totalt 308,0                                                                                                                                 |

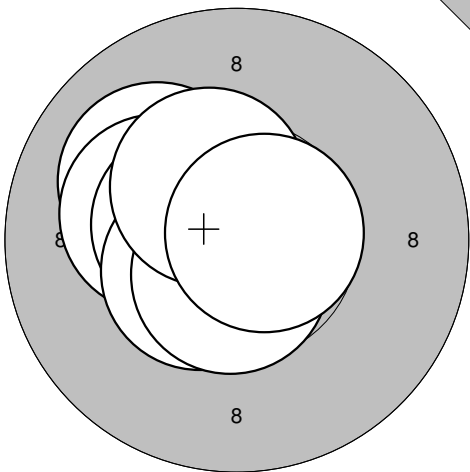
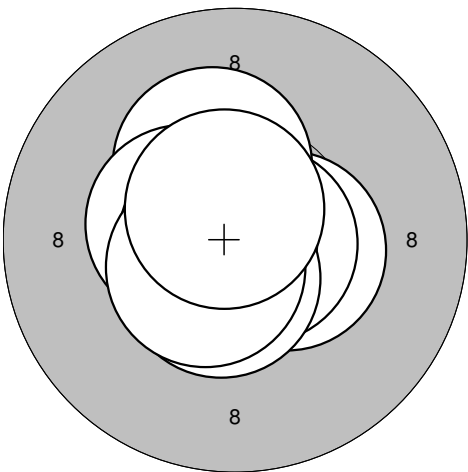
|                                                                                    |                                                                                                                                                   |  |  |
|------------------------------------------------------------------------------------|---------------------------------------------------------------------------------------------------------------------------------------------------|--|--|
| 60 shot                                                                            |                                                                                                                                                   |  |  |
|  | 31: 10,8* ←<br>32: 10,6* ↓<br>33: 10,5* ←<br>34: 10,7* ←<br>35: 10,4* ↓<br>36: 10,1 →<br>37: 10,7* →<br>38: 10,6* ↓<br>39: 10,6* ↗<br>40: 10,3* → |  |  |
|                                                                                    | Serie 105,3                                                                                                                                       |  |  |
|                                                                                    | Totalt 413,3                                                                                                                                      |  |  |

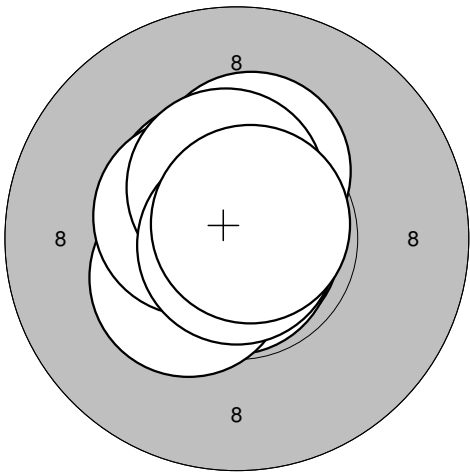
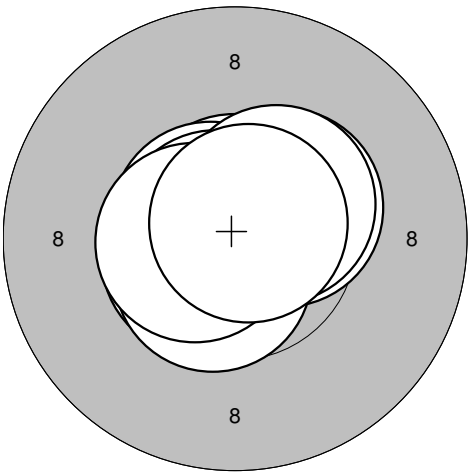
|                                                                                               |                                                                                                                                                                                                                                                                                                                                                   |                                                                                                 |                                                                                                                                                                                                                                                                                                                                                              |
|-----------------------------------------------------------------------------------------------|---------------------------------------------------------------------------------------------------------------------------------------------------------------------------------------------------------------------------------------------------------------------------------------------------------------------------------------------------|-------------------------------------------------------------------------------------------------|--------------------------------------------------------------------------------------------------------------------------------------------------------------------------------------------------------------------------------------------------------------------------------------------------------------------------------------------------------------|
| <p>Sight</p>  | <p>1: 10,3* →<br/>                 2: 9,8 →<br/>                 3: 10,3* →<br/>                 4: 10,4* ↓<br/>                 5: 10,5* ↓<br/>                 6: 10,2* ↓<br/>                 7: 10,0 ↓<br/>                 8: 10,5* ←<br/>                 9: 10,7* ↗<br/>                 10: 10,3* ↗</p> <p>Serie 103,0<br/>Totalt 0,0</p> | <p>Sight</p>  | <p>11: 10,4* ←<br/>                 12: 10,6* →<br/>                 13: 10,2* →<br/>                 14: 10,6* ↑<br/>                 15: 10,5* ↗<br/>                 16: 10,1 →<br/>                 17: 10,7* ↓<br/>                 18: 10,5* ↓<br/>                 19: 10,2* ↓<br/>                 20: 10,4* ↓</p> <p>Serie 104,2<br/>Totalt 0,0</p> |
|-----------------------------------------------------------------------------------------------|---------------------------------------------------------------------------------------------------------------------------------------------------------------------------------------------------------------------------------------------------------------------------------------------------------------------------------------------------|-------------------------------------------------------------------------------------------------|--------------------------------------------------------------------------------------------------------------------------------------------------------------------------------------------------------------------------------------------------------------------------------------------------------------------------------------------------------------|

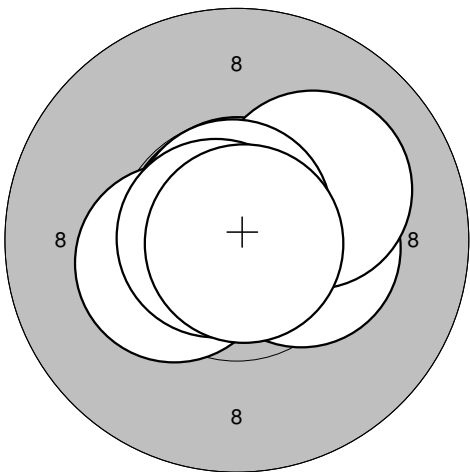
|                                                                                                |                                                                                      |                                                                                                    |                                                                                                                                                                                                                                                                                                                                                      |
|------------------------------------------------------------------------------------------------|--------------------------------------------------------------------------------------|----------------------------------------------------------------------------------------------------|------------------------------------------------------------------------------------------------------------------------------------------------------------------------------------------------------------------------------------------------------------------------------------------------------------------------------------------------------|
| <p>Sight</p>  | <p>21: 10,4* ↑<br/>                 22: 10,6* ←</p> <p>Serie 21,0<br/>Totalt 0,0</p> | <p>60 shot</p>  | <p>1: 10,4* ↑<br/>                 2: 10,8* ↑<br/>                 3: 10,7* ↑<br/>                 4: 10,8* ↖<br/>                 5: 10,1 ←<br/>                 6: 10,6* ←<br/>                 7: 10,8* ↓<br/>                 8: 10,2* ↓<br/>                 9: 10,0 ↓<br/>                 10: 10,8* ↗</p> <p>Serie 105,2<br/>Totalt 105,2</p> |
|------------------------------------------------------------------------------------------------|--------------------------------------------------------------------------------------|----------------------------------------------------------------------------------------------------|------------------------------------------------------------------------------------------------------------------------------------------------------------------------------------------------------------------------------------------------------------------------------------------------------------------------------------------------------|

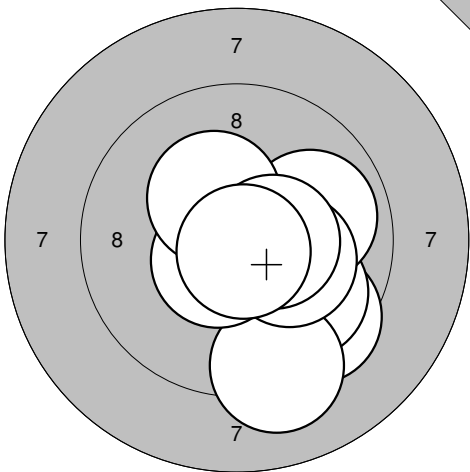
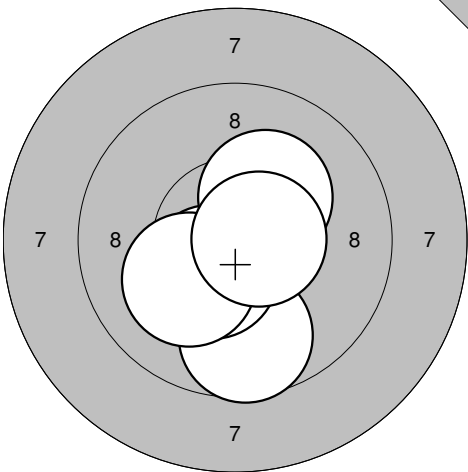
|                                                                                                   |                                                                                                                                                                                                                                                                                                                                                                |                                                                                                     |                                                                                                                                                                                                                                                                                                                                                              |
|---------------------------------------------------------------------------------------------------|----------------------------------------------------------------------------------------------------------------------------------------------------------------------------------------------------------------------------------------------------------------------------------------------------------------------------------------------------------------|-----------------------------------------------------------------------------------------------------|--------------------------------------------------------------------------------------------------------------------------------------------------------------------------------------------------------------------------------------------------------------------------------------------------------------------------------------------------------------|
| <p>60 shot</p>  | <p>11: 10,4* ←<br/>                 12: 10,2* ←<br/>                 13: 10,4* ↓<br/>                 14: 10,6* ←<br/>                 15: 10,3* ←<br/>                 16: 10,2* ↓<br/>                 17: 10,2* ←<br/>                 18: 10,0 ↙<br/>                 19: 10,3* ↓<br/>                 20: 10,7* ↓</p> <p>Serie 103,3<br/>Totalt 208,5</p> | <p>60 shot</p>  | <p>21: 10,8* ↑<br/>                 22: 10,8* ↘<br/>                 23: 10,1 →<br/>                 24: 10,7* ↙<br/>                 25: 10,7* ↗<br/>                 26: 10,5* →<br/>                 27: 10,5* ↘<br/>                 28: 10,8* →<br/>                 29: 9,9 ↗<br/>                 30: 10,5* →</p> <p>Serie 105,3<br/>Totalt 313,8</p> |
|---------------------------------------------------------------------------------------------------|----------------------------------------------------------------------------------------------------------------------------------------------------------------------------------------------------------------------------------------------------------------------------------------------------------------------------------------------------------------|-----------------------------------------------------------------------------------------------------|--------------------------------------------------------------------------------------------------------------------------------------------------------------------------------------------------------------------------------------------------------------------------------------------------------------------------------------------------------------|

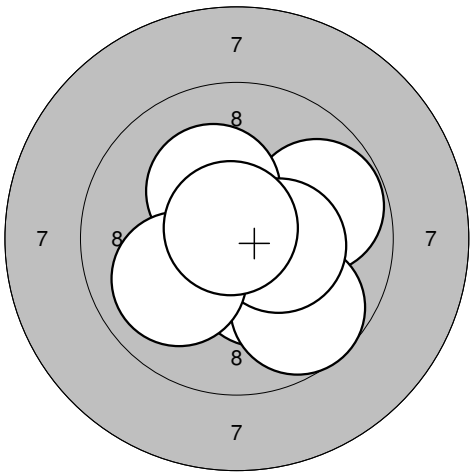
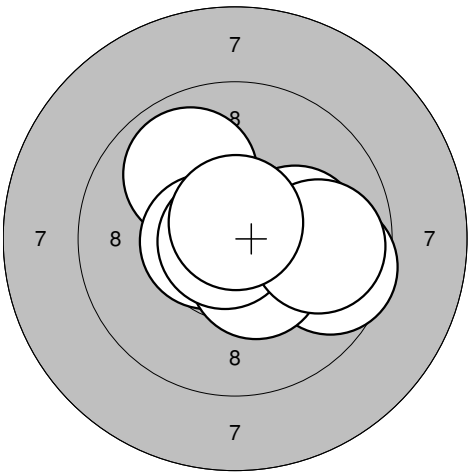
|                                                                                                   |                                                                                                                                                                                                                                                                                                                                                                 |  |  |
|---------------------------------------------------------------------------------------------------|-----------------------------------------------------------------------------------------------------------------------------------------------------------------------------------------------------------------------------------------------------------------------------------------------------------------------------------------------------------------|--|--|
| <p>60 shot</p>  | <p>31: 10,5* ↙<br/>                 32: 10,5* ↗<br/>                 33: 10,2* ↗<br/>                 34: 10,4* ↑<br/>                 35: 10,6* ↗<br/>                 36: 10,6* ↓<br/>                 37: 10,8* ↑<br/>                 38: 10,8* ←<br/>                 39: 10,5* ↑<br/>                 40: 10,3* ↓</p> <p>Serie 105,2<br/>Totalt 419,0</p> |  |  |
|---------------------------------------------------------------------------------------------------|-----------------------------------------------------------------------------------------------------------------------------------------------------------------------------------------------------------------------------------------------------------------------------------------------------------------------------------------------------------------|--|--|

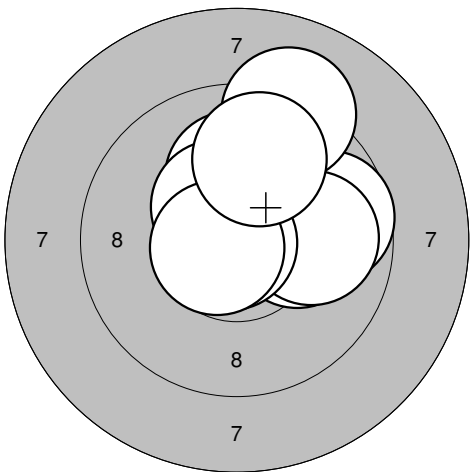
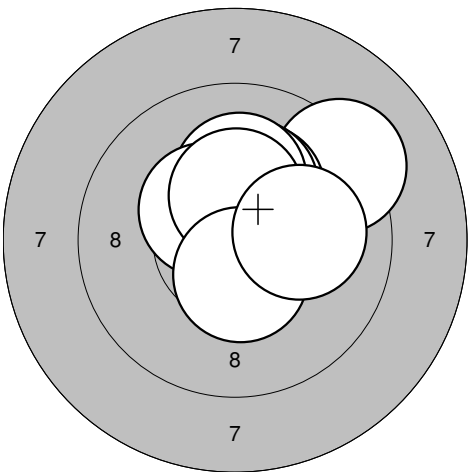
|                                                                                               |                                                                                                                                                                                                                                                                                                                                                                                                                                                                                                                                                                                                                                                                                                                                           |          |   |          |   |         |   |          |   |          |   |          |   |          |   |          |   |          |   |       |      |        |     |                                                                                                                                                                                                                                                                                                                                                                                                                                                                                                                                                                                                                                                                                                                                                                                                                                                         |          |   |          |   |          |   |          |   |          |   |          |   |          |   |          |   |          |   |           |   |       |       |        |       |
|-----------------------------------------------------------------------------------------------|-------------------------------------------------------------------------------------------------------------------------------------------------------------------------------------------------------------------------------------------------------------------------------------------------------------------------------------------------------------------------------------------------------------------------------------------------------------------------------------------------------------------------------------------------------------------------------------------------------------------------------------------------------------------------------------------------------------------------------------------|----------|---|----------|---|---------|---|----------|---|----------|---|----------|---|----------|---|----------|---|----------|---|-------|------|--------|-----|---------------------------------------------------------------------------------------------------------------------------------------------------------------------------------------------------------------------------------------------------------------------------------------------------------------------------------------------------------------------------------------------------------------------------------------------------------------------------------------------------------------------------------------------------------------------------------------------------------------------------------------------------------------------------------------------------------------------------------------------------------------------------------------------------------------------------------------------------------|----------|---|----------|---|----------|---|----------|---|----------|---|----------|---|----------|---|----------|---|----------|---|-----------|---|-------|-------|--------|-------|
| <p>Sight</p>  | <p>60 shot</p> <table style="width:100%; border-collapse: collapse;"> <tr><td>1: 10,5*</td><td>←</td></tr> <tr><td>2: 10,8*</td><td>←</td></tr> <tr><td>3: 10,1</td><td>↗</td></tr> <tr><td>4: 10,2*</td><td>←</td></tr> <tr><td>5: 10,5*</td><td>←</td></tr> <tr><td>6: 10,5*</td><td>↙</td></tr> <tr><td>7: 10,6*</td><td>↓</td></tr> <tr><td>8: 10,4*</td><td>↗</td></tr> <tr><td>9: 10,7*</td><td>→</td></tr> </table> <table style="width:100%; border-collapse: collapse; margin-top: 5px;"> <tr><td style="border-top: 1px solid black;">Serie</td><td style="border-top: 1px solid black;">94,3</td></tr> <tr><td style="border-top: 1px solid black;">Totalt</td><td style="border-top: 1px solid black;">0,0</td></tr> </table> | 1: 10,5* | ← | 2: 10,8* | ← | 3: 10,1 | ↗ | 4: 10,2* | ← | 5: 10,5* | ← | 6: 10,5* | ↙ | 7: 10,6* | ↓ | 8: 10,4* | ↗ | 9: 10,7* | → | Serie | 94,3 | Totalt | 0,0 |  <table style="width:100%; border-collapse: collapse;"> <tr><td>1: 10,5*</td><td>→</td></tr> <tr><td>2: 10,3*</td><td>↑</td></tr> <tr><td>3: 10,6*</td><td>↙</td></tr> <tr><td>4: 10,8*</td><td>←</td></tr> <tr><td>5: 10,5*</td><td>←</td></tr> <tr><td>6: 10,7*</td><td>→</td></tr> <tr><td>7: 10,8*</td><td>←</td></tr> <tr><td>8: 10,6*</td><td>↓</td></tr> <tr><td>9: 10,6*</td><td>↙</td></tr> <tr><td>10: 10,7*</td><td>↑</td></tr> </table> <table style="width:100%; border-collapse: collapse; margin-top: 5px;"> <tr><td style="border-top: 1px solid black;">Serie</td><td style="border-top: 1px solid black;">106,1</td></tr> <tr><td style="border-top: 1px solid black;">Totalt</td><td style="border-top: 1px solid black;">106,1</td></tr> </table> | 1: 10,5* | → | 2: 10,3* | ↑ | 3: 10,6* | ↙ | 4: 10,8* | ← | 5: 10,5* | ← | 6: 10,7* | → | 7: 10,8* | ← | 8: 10,6* | ↓ | 9: 10,6* | ↙ | 10: 10,7* | ↑ | Serie | 106,1 | Totalt | 106,1 |
| 1: 10,5*                                                                                      | ←                                                                                                                                                                                                                                                                                                                                                                                                                                                                                                                                                                                                                                                                                                                                         |          |   |          |   |         |   |          |   |          |   |          |   |          |   |          |   |          |   |       |      |        |     |                                                                                                                                                                                                                                                                                                                                                                                                                                                                                                                                                                                                                                                                                                                                                                                                                                                         |          |   |          |   |          |   |          |   |          |   |          |   |          |   |          |   |          |   |           |   |       |       |        |       |
| 2: 10,8*                                                                                      | ←                                                                                                                                                                                                                                                                                                                                                                                                                                                                                                                                                                                                                                                                                                                                         |          |   |          |   |         |   |          |   |          |   |          |   |          |   |          |   |          |   |       |      |        |     |                                                                                                                                                                                                                                                                                                                                                                                                                                                                                                                                                                                                                                                                                                                                                                                                                                                         |          |   |          |   |          |   |          |   |          |   |          |   |          |   |          |   |          |   |           |   |       |       |        |       |
| 3: 10,1                                                                                       | ↗                                                                                                                                                                                                                                                                                                                                                                                                                                                                                                                                                                                                                                                                                                                                         |          |   |          |   |         |   |          |   |          |   |          |   |          |   |          |   |          |   |       |      |        |     |                                                                                                                                                                                                                                                                                                                                                                                                                                                                                                                                                                                                                                                                                                                                                                                                                                                         |          |   |          |   |          |   |          |   |          |   |          |   |          |   |          |   |          |   |           |   |       |       |        |       |
| 4: 10,2*                                                                                      | ←                                                                                                                                                                                                                                                                                                                                                                                                                                                                                                                                                                                                                                                                                                                                         |          |   |          |   |         |   |          |   |          |   |          |   |          |   |          |   |          |   |       |      |        |     |                                                                                                                                                                                                                                                                                                                                                                                                                                                                                                                                                                                                                                                                                                                                                                                                                                                         |          |   |          |   |          |   |          |   |          |   |          |   |          |   |          |   |          |   |           |   |       |       |        |       |
| 5: 10,5*                                                                                      | ←                                                                                                                                                                                                                                                                                                                                                                                                                                                                                                                                                                                                                                                                                                                                         |          |   |          |   |         |   |          |   |          |   |          |   |          |   |          |   |          |   |       |      |        |     |                                                                                                                                                                                                                                                                                                                                                                                                                                                                                                                                                                                                                                                                                                                                                                                                                                                         |          |   |          |   |          |   |          |   |          |   |          |   |          |   |          |   |          |   |           |   |       |       |        |       |
| 6: 10,5*                                                                                      | ↙                                                                                                                                                                                                                                                                                                                                                                                                                                                                                                                                                                                                                                                                                                                                         |          |   |          |   |         |   |          |   |          |   |          |   |          |   |          |   |          |   |       |      |        |     |                                                                                                                                                                                                                                                                                                                                                                                                                                                                                                                                                                                                                                                                                                                                                                                                                                                         |          |   |          |   |          |   |          |   |          |   |          |   |          |   |          |   |          |   |           |   |       |       |        |       |
| 7: 10,6*                                                                                      | ↓                                                                                                                                                                                                                                                                                                                                                                                                                                                                                                                                                                                                                                                                                                                                         |          |   |          |   |         |   |          |   |          |   |          |   |          |   |          |   |          |   |       |      |        |     |                                                                                                                                                                                                                                                                                                                                                                                                                                                                                                                                                                                                                                                                                                                                                                                                                                                         |          |   |          |   |          |   |          |   |          |   |          |   |          |   |          |   |          |   |           |   |       |       |        |       |
| 8: 10,4*                                                                                      | ↗                                                                                                                                                                                                                                                                                                                                                                                                                                                                                                                                                                                                                                                                                                                                         |          |   |          |   |         |   |          |   |          |   |          |   |          |   |          |   |          |   |       |      |        |     |                                                                                                                                                                                                                                                                                                                                                                                                                                                                                                                                                                                                                                                                                                                                                                                                                                                         |          |   |          |   |          |   |          |   |          |   |          |   |          |   |          |   |          |   |           |   |       |       |        |       |
| 9: 10,7*                                                                                      | →                                                                                                                                                                                                                                                                                                                                                                                                                                                                                                                                                                                                                                                                                                                                         |          |   |          |   |         |   |          |   |          |   |          |   |          |   |          |   |          |   |       |      |        |     |                                                                                                                                                                                                                                                                                                                                                                                                                                                                                                                                                                                                                                                                                                                                                                                                                                                         |          |   |          |   |          |   |          |   |          |   |          |   |          |   |          |   |          |   |           |   |       |       |        |       |
| Serie                                                                                         | 94,3                                                                                                                                                                                                                                                                                                                                                                                                                                                                                                                                                                                                                                                                                                                                      |          |   |          |   |         |   |          |   |          |   |          |   |          |   |          |   |          |   |       |      |        |     |                                                                                                                                                                                                                                                                                                                                                                                                                                                                                                                                                                                                                                                                                                                                                                                                                                                         |          |   |          |   |          |   |          |   |          |   |          |   |          |   |          |   |          |   |           |   |       |       |        |       |
| Totalt                                                                                        | 0,0                                                                                                                                                                                                                                                                                                                                                                                                                                                                                                                                                                                                                                                                                                                                       |          |   |          |   |         |   |          |   |          |   |          |   |          |   |          |   |          |   |       |      |        |     |                                                                                                                                                                                                                                                                                                                                                                                                                                                                                                                                                                                                                                                                                                                                                                                                                                                         |          |   |          |   |          |   |          |   |          |   |          |   |          |   |          |   |          |   |           |   |       |       |        |       |
| 1: 10,5*                                                                                      | →                                                                                                                                                                                                                                                                                                                                                                                                                                                                                                                                                                                                                                                                                                                                         |          |   |          |   |         |   |          |   |          |   |          |   |          |   |          |   |          |   |       |      |        |     |                                                                                                                                                                                                                                                                                                                                                                                                                                                                                                                                                                                                                                                                                                                                                                                                                                                         |          |   |          |   |          |   |          |   |          |   |          |   |          |   |          |   |          |   |           |   |       |       |        |       |
| 2: 10,3*                                                                                      | ↑                                                                                                                                                                                                                                                                                                                                                                                                                                                                                                                                                                                                                                                                                                                                         |          |   |          |   |         |   |          |   |          |   |          |   |          |   |          |   |          |   |       |      |        |     |                                                                                                                                                                                                                                                                                                                                                                                                                                                                                                                                                                                                                                                                                                                                                                                                                                                         |          |   |          |   |          |   |          |   |          |   |          |   |          |   |          |   |          |   |           |   |       |       |        |       |
| 3: 10,6*                                                                                      | ↙                                                                                                                                                                                                                                                                                                                                                                                                                                                                                                                                                                                                                                                                                                                                         |          |   |          |   |         |   |          |   |          |   |          |   |          |   |          |   |          |   |       |      |        |     |                                                                                                                                                                                                                                                                                                                                                                                                                                                                                                                                                                                                                                                                                                                                                                                                                                                         |          |   |          |   |          |   |          |   |          |   |          |   |          |   |          |   |          |   |           |   |       |       |        |       |
| 4: 10,8*                                                                                      | ←                                                                                                                                                                                                                                                                                                                                                                                                                                                                                                                                                                                                                                                                                                                                         |          |   |          |   |         |   |          |   |          |   |          |   |          |   |          |   |          |   |       |      |        |     |                                                                                                                                                                                                                                                                                                                                                                                                                                                                                                                                                                                                                                                                                                                                                                                                                                                         |          |   |          |   |          |   |          |   |          |   |          |   |          |   |          |   |          |   |           |   |       |       |        |       |
| 5: 10,5*                                                                                      | ←                                                                                                                                                                                                                                                                                                                                                                                                                                                                                                                                                                                                                                                                                                                                         |          |   |          |   |         |   |          |   |          |   |          |   |          |   |          |   |          |   |       |      |        |     |                                                                                                                                                                                                                                                                                                                                                                                                                                                                                                                                                                                                                                                                                                                                                                                                                                                         |          |   |          |   |          |   |          |   |          |   |          |   |          |   |          |   |          |   |           |   |       |       |        |       |
| 6: 10,7*                                                                                      | →                                                                                                                                                                                                                                                                                                                                                                                                                                                                                                                                                                                                                                                                                                                                         |          |   |          |   |         |   |          |   |          |   |          |   |          |   |          |   |          |   |       |      |        |     |                                                                                                                                                                                                                                                                                                                                                                                                                                                                                                                                                                                                                                                                                                                                                                                                                                                         |          |   |          |   |          |   |          |   |          |   |          |   |          |   |          |   |          |   |           |   |       |       |        |       |
| 7: 10,8*                                                                                      | ←                                                                                                                                                                                                                                                                                                                                                                                                                                                                                                                                                                                                                                                                                                                                         |          |   |          |   |         |   |          |   |          |   |          |   |          |   |          |   |          |   |       |      |        |     |                                                                                                                                                                                                                                                                                                                                                                                                                                                                                                                                                                                                                                                                                                                                                                                                                                                         |          |   |          |   |          |   |          |   |          |   |          |   |          |   |          |   |          |   |           |   |       |       |        |       |
| 8: 10,6*                                                                                      | ↓                                                                                                                                                                                                                                                                                                                                                                                                                                                                                                                                                                                                                                                                                                                                         |          |   |          |   |         |   |          |   |          |   |          |   |          |   |          |   |          |   |       |      |        |     |                                                                                                                                                                                                                                                                                                                                                                                                                                                                                                                                                                                                                                                                                                                                                                                                                                                         |          |   |          |   |          |   |          |   |          |   |          |   |          |   |          |   |          |   |           |   |       |       |        |       |
| 9: 10,6*                                                                                      | ↙                                                                                                                                                                                                                                                                                                                                                                                                                                                                                                                                                                                                                                                                                                                                         |          |   |          |   |         |   |          |   |          |   |          |   |          |   |          |   |          |   |       |      |        |     |                                                                                                                                                                                                                                                                                                                                                                                                                                                                                                                                                                                                                                                                                                                                                                                                                                                         |          |   |          |   |          |   |          |   |          |   |          |   |          |   |          |   |          |   |           |   |       |       |        |       |
| 10: 10,7*                                                                                     | ↑                                                                                                                                                                                                                                                                                                                                                                                                                                                                                                                                                                                                                                                                                                                                         |          |   |          |   |         |   |          |   |          |   |          |   |          |   |          |   |          |   |       |      |        |     |                                                                                                                                                                                                                                                                                                                                                                                                                                                                                                                                                                                                                                                                                                                                                                                                                                                         |          |   |          |   |          |   |          |   |          |   |          |   |          |   |          |   |          |   |           |   |       |       |        |       |
| Serie                                                                                         | 106,1                                                                                                                                                                                                                                                                                                                                                                                                                                                                                                                                                                                                                                                                                                                                     |          |   |          |   |         |   |          |   |          |   |          |   |          |   |          |   |          |   |       |      |        |     |                                                                                                                                                                                                                                                                                                                                                                                                                                                                                                                                                                                                                                                                                                                                                                                                                                                         |          |   |          |   |          |   |          |   |          |   |          |   |          |   |          |   |          |   |           |   |       |       |        |       |
| Totalt                                                                                        | 106,1                                                                                                                                                                                                                                                                                                                                                                                                                                                                                                                                                                                                                                                                                                                                     |          |   |          |   |         |   |          |   |          |   |          |   |          |   |          |   |          |   |       |      |        |     |                                                                                                                                                                                                                                                                                                                                                                                                                                                                                                                                                                                                                                                                                                                                                                                                                                                         |          |   |          |   |          |   |          |   |          |   |          |   |          |   |          |   |          |   |           |   |       |       |        |       |

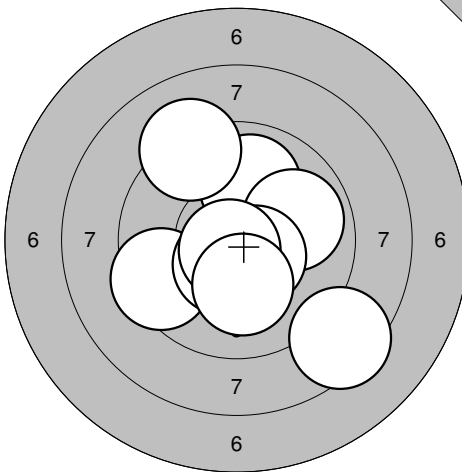
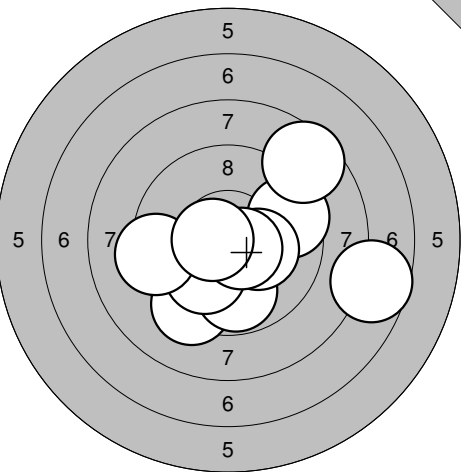
|                                                                                                  |                                                                                                                                                                                                                                                                                                                                                                                                                                                                                                                                                                                                                                                                                                                                                                                              |           |   |           |   |           |   |           |   |           |   |           |   |           |   |           |   |           |   |           |   |       |       |        |       |                                                                                                                                                                                                                                                                                                                                                                                                                                                                                                                                                                                                                                                                                                                                                                                                                                                                   |           |   |           |   |           |   |           |   |           |   |           |   |           |   |           |   |           |   |           |   |       |       |        |       |
|--------------------------------------------------------------------------------------------------|----------------------------------------------------------------------------------------------------------------------------------------------------------------------------------------------------------------------------------------------------------------------------------------------------------------------------------------------------------------------------------------------------------------------------------------------------------------------------------------------------------------------------------------------------------------------------------------------------------------------------------------------------------------------------------------------------------------------------------------------------------------------------------------------|-----------|---|-----------|---|-----------|---|-----------|---|-----------|---|-----------|---|-----------|---|-----------|---|-----------|---|-----------|---|-------|-------|--------|-------|-------------------------------------------------------------------------------------------------------------------------------------------------------------------------------------------------------------------------------------------------------------------------------------------------------------------------------------------------------------------------------------------------------------------------------------------------------------------------------------------------------------------------------------------------------------------------------------------------------------------------------------------------------------------------------------------------------------------------------------------------------------------------------------------------------------------------------------------------------------------|-----------|---|-----------|---|-----------|---|-----------|---|-----------|---|-----------|---|-----------|---|-----------|---|-----------|---|-----------|---|-------|-------|--------|-------|
| <p>60 shot</p>  | <p>60 shot</p> <table style="width:100%; border-collapse: collapse;"> <tr><td>11: 10,6*</td><td>←</td></tr> <tr><td>12: 10,5*</td><td>↗</td></tr> <tr><td>13: 10,9*</td><td>↘</td></tr> <tr><td>14: 10,3*</td><td>↑</td></tr> <tr><td>15: 10,8*</td><td>↓</td></tr> <tr><td>16: 10,4*</td><td>↙</td></tr> <tr><td>17: 10,5*</td><td>←</td></tr> <tr><td>18: 10,5*</td><td>↑</td></tr> <tr><td>19: 10,9*</td><td>↓</td></tr> <tr><td>20: 10,8*</td><td>↗</td></tr> </table> <table style="width:100%; border-collapse: collapse; margin-top: 5px;"> <tr><td style="border-top: 1px solid black;">Serie</td><td style="border-top: 1px solid black;">106,2</td></tr> <tr><td style="border-top: 1px solid black;">Totalt</td><td style="border-top: 1px solid black;">212,3</td></tr> </table> | 11: 10,6* | ← | 12: 10,5* | ↗ | 13: 10,9* | ↘ | 14: 10,3* | ↑ | 15: 10,8* | ↓ | 16: 10,4* | ↙ | 17: 10,5* | ← | 18: 10,5* | ↑ | 19: 10,9* | ↓ | 20: 10,8* | ↗ | Serie | 106,2 | Totalt | 212,3 |  <table style="width:100%; border-collapse: collapse;"> <tr><td>21: 10,7*</td><td>↑</td></tr> <tr><td>22: 10,6*</td><td>↙</td></tr> <tr><td>23: 10,7*</td><td>↖</td></tr> <tr><td>24: 10,8*</td><td>←</td></tr> <tr><td>25: 10,8*</td><td>↖</td></tr> <tr><td>26: 10,6*</td><td>↘</td></tr> <tr><td>27: 10,4*</td><td>↗</td></tr> <tr><td>28: 10,6*</td><td>←</td></tr> <tr><td>29: 10,5*</td><td>↗</td></tr> <tr><td>30: 10,8*</td><td>↗</td></tr> </table> <table style="width:100%; border-collapse: collapse; margin-top: 5px;"> <tr><td style="border-top: 1px solid black;">Serie</td><td style="border-top: 1px solid black;">106,5</td></tr> <tr><td style="border-top: 1px solid black;">Totalt</td><td style="border-top: 1px solid black;">318,8</td></tr> </table> | 21: 10,7* | ↑ | 22: 10,6* | ↙ | 23: 10,7* | ↖ | 24: 10,8* | ← | 25: 10,8* | ↖ | 26: 10,6* | ↘ | 27: 10,4* | ↗ | 28: 10,6* | ← | 29: 10,5* | ↗ | 30: 10,8* | ↗ | Serie | 106,5 | Totalt | 318,8 |
| 11: 10,6*                                                                                        | ←                                                                                                                                                                                                                                                                                                                                                                                                                                                                                                                                                                                                                                                                                                                                                                                            |           |   |           |   |           |   |           |   |           |   |           |   |           |   |           |   |           |   |           |   |       |       |        |       |                                                                                                                                                                                                                                                                                                                                                                                                                                                                                                                                                                                                                                                                                                                                                                                                                                                                   |           |   |           |   |           |   |           |   |           |   |           |   |           |   |           |   |           |   |           |   |       |       |        |       |
| 12: 10,5*                                                                                        | ↗                                                                                                                                                                                                                                                                                                                                                                                                                                                                                                                                                                                                                                                                                                                                                                                            |           |   |           |   |           |   |           |   |           |   |           |   |           |   |           |   |           |   |           |   |       |       |        |       |                                                                                                                                                                                                                                                                                                                                                                                                                                                                                                                                                                                                                                                                                                                                                                                                                                                                   |           |   |           |   |           |   |           |   |           |   |           |   |           |   |           |   |           |   |           |   |       |       |        |       |
| 13: 10,9*                                                                                        | ↘                                                                                                                                                                                                                                                                                                                                                                                                                                                                                                                                                                                                                                                                                                                                                                                            |           |   |           |   |           |   |           |   |           |   |           |   |           |   |           |   |           |   |           |   |       |       |        |       |                                                                                                                                                                                                                                                                                                                                                                                                                                                                                                                                                                                                                                                                                                                                                                                                                                                                   |           |   |           |   |           |   |           |   |           |   |           |   |           |   |           |   |           |   |           |   |       |       |        |       |
| 14: 10,3*                                                                                        | ↑                                                                                                                                                                                                                                                                                                                                                                                                                                                                                                                                                                                                                                                                                                                                                                                            |           |   |           |   |           |   |           |   |           |   |           |   |           |   |           |   |           |   |           |   |       |       |        |       |                                                                                                                                                                                                                                                                                                                                                                                                                                                                                                                                                                                                                                                                                                                                                                                                                                                                   |           |   |           |   |           |   |           |   |           |   |           |   |           |   |           |   |           |   |           |   |       |       |        |       |
| 15: 10,8*                                                                                        | ↓                                                                                                                                                                                                                                                                                                                                                                                                                                                                                                                                                                                                                                                                                                                                                                                            |           |   |           |   |           |   |           |   |           |   |           |   |           |   |           |   |           |   |           |   |       |       |        |       |                                                                                                                                                                                                                                                                                                                                                                                                                                                                                                                                                                                                                                                                                                                                                                                                                                                                   |           |   |           |   |           |   |           |   |           |   |           |   |           |   |           |   |           |   |           |   |       |       |        |       |
| 16: 10,4*                                                                                        | ↙                                                                                                                                                                                                                                                                                                                                                                                                                                                                                                                                                                                                                                                                                                                                                                                            |           |   |           |   |           |   |           |   |           |   |           |   |           |   |           |   |           |   |           |   |       |       |        |       |                                                                                                                                                                                                                                                                                                                                                                                                                                                                                                                                                                                                                                                                                                                                                                                                                                                                   |           |   |           |   |           |   |           |   |           |   |           |   |           |   |           |   |           |   |           |   |       |       |        |       |
| 17: 10,5*                                                                                        | ←                                                                                                                                                                                                                                                                                                                                                                                                                                                                                                                                                                                                                                                                                                                                                                                            |           |   |           |   |           |   |           |   |           |   |           |   |           |   |           |   |           |   |           |   |       |       |        |       |                                                                                                                                                                                                                                                                                                                                                                                                                                                                                                                                                                                                                                                                                                                                                                                                                                                                   |           |   |           |   |           |   |           |   |           |   |           |   |           |   |           |   |           |   |           |   |       |       |        |       |
| 18: 10,5*                                                                                        | ↑                                                                                                                                                                                                                                                                                                                                                                                                                                                                                                                                                                                                                                                                                                                                                                                            |           |   |           |   |           |   |           |   |           |   |           |   |           |   |           |   |           |   |           |   |       |       |        |       |                                                                                                                                                                                                                                                                                                                                                                                                                                                                                                                                                                                                                                                                                                                                                                                                                                                                   |           |   |           |   |           |   |           |   |           |   |           |   |           |   |           |   |           |   |           |   |       |       |        |       |
| 19: 10,9*                                                                                        | ↓                                                                                                                                                                                                                                                                                                                                                                                                                                                                                                                                                                                                                                                                                                                                                                                            |           |   |           |   |           |   |           |   |           |   |           |   |           |   |           |   |           |   |           |   |       |       |        |       |                                                                                                                                                                                                                                                                                                                                                                                                                                                                                                                                                                                                                                                                                                                                                                                                                                                                   |           |   |           |   |           |   |           |   |           |   |           |   |           |   |           |   |           |   |           |   |       |       |        |       |
| 20: 10,8*                                                                                        | ↗                                                                                                                                                                                                                                                                                                                                                                                                                                                                                                                                                                                                                                                                                                                                                                                            |           |   |           |   |           |   |           |   |           |   |           |   |           |   |           |   |           |   |           |   |       |       |        |       |                                                                                                                                                                                                                                                                                                                                                                                                                                                                                                                                                                                                                                                                                                                                                                                                                                                                   |           |   |           |   |           |   |           |   |           |   |           |   |           |   |           |   |           |   |           |   |       |       |        |       |
| Serie                                                                                            | 106,2                                                                                                                                                                                                                                                                                                                                                                                                                                                                                                                                                                                                                                                                                                                                                                                        |           |   |           |   |           |   |           |   |           |   |           |   |           |   |           |   |           |   |           |   |       |       |        |       |                                                                                                                                                                                                                                                                                                                                                                                                                                                                                                                                                                                                                                                                                                                                                                                                                                                                   |           |   |           |   |           |   |           |   |           |   |           |   |           |   |           |   |           |   |           |   |       |       |        |       |
| Totalt                                                                                           | 212,3                                                                                                                                                                                                                                                                                                                                                                                                                                                                                                                                                                                                                                                                                                                                                                                        |           |   |           |   |           |   |           |   |           |   |           |   |           |   |           |   |           |   |           |   |       |       |        |       |                                                                                                                                                                                                                                                                                                                                                                                                                                                                                                                                                                                                                                                                                                                                                                                                                                                                   |           |   |           |   |           |   |           |   |           |   |           |   |           |   |           |   |           |   |           |   |       |       |        |       |
| 21: 10,7*                                                                                        | ↑                                                                                                                                                                                                                                                                                                                                                                                                                                                                                                                                                                                                                                                                                                                                                                                            |           |   |           |   |           |   |           |   |           |   |           |   |           |   |           |   |           |   |           |   |       |       |        |       |                                                                                                                                                                                                                                                                                                                                                                                                                                                                                                                                                                                                                                                                                                                                                                                                                                                                   |           |   |           |   |           |   |           |   |           |   |           |   |           |   |           |   |           |   |           |   |       |       |        |       |
| 22: 10,6*                                                                                        | ↙                                                                                                                                                                                                                                                                                                                                                                                                                                                                                                                                                                                                                                                                                                                                                                                            |           |   |           |   |           |   |           |   |           |   |           |   |           |   |           |   |           |   |           |   |       |       |        |       |                                                                                                                                                                                                                                                                                                                                                                                                                                                                                                                                                                                                                                                                                                                                                                                                                                                                   |           |   |           |   |           |   |           |   |           |   |           |   |           |   |           |   |           |   |           |   |       |       |        |       |
| 23: 10,7*                                                                                        | ↖                                                                                                                                                                                                                                                                                                                                                                                                                                                                                                                                                                                                                                                                                                                                                                                            |           |   |           |   |           |   |           |   |           |   |           |   |           |   |           |   |           |   |           |   |       |       |        |       |                                                                                                                                                                                                                                                                                                                                                                                                                                                                                                                                                                                                                                                                                                                                                                                                                                                                   |           |   |           |   |           |   |           |   |           |   |           |   |           |   |           |   |           |   |           |   |       |       |        |       |
| 24: 10,8*                                                                                        | ←                                                                                                                                                                                                                                                                                                                                                                                                                                                                                                                                                                                                                                                                                                                                                                                            |           |   |           |   |           |   |           |   |           |   |           |   |           |   |           |   |           |   |           |   |       |       |        |       |                                                                                                                                                                                                                                                                                                                                                                                                                                                                                                                                                                                                                                                                                                                                                                                                                                                                   |           |   |           |   |           |   |           |   |           |   |           |   |           |   |           |   |           |   |           |   |       |       |        |       |
| 25: 10,8*                                                                                        | ↖                                                                                                                                                                                                                                                                                                                                                                                                                                                                                                                                                                                                                                                                                                                                                                                            |           |   |           |   |           |   |           |   |           |   |           |   |           |   |           |   |           |   |           |   |       |       |        |       |                                                                                                                                                                                                                                                                                                                                                                                                                                                                                                                                                                                                                                                                                                                                                                                                                                                                   |           |   |           |   |           |   |           |   |           |   |           |   |           |   |           |   |           |   |           |   |       |       |        |       |
| 26: 10,6*                                                                                        | ↘                                                                                                                                                                                                                                                                                                                                                                                                                                                                                                                                                                                                                                                                                                                                                                                            |           |   |           |   |           |   |           |   |           |   |           |   |           |   |           |   |           |   |           |   |       |       |        |       |                                                                                                                                                                                                                                                                                                                                                                                                                                                                                                                                                                                                                                                                                                                                                                                                                                                                   |           |   |           |   |           |   |           |   |           |   |           |   |           |   |           |   |           |   |           |   |       |       |        |       |
| 27: 10,4*                                                                                        | ↗                                                                                                                                                                                                                                                                                                                                                                                                                                                                                                                                                                                                                                                                                                                                                                                            |           |   |           |   |           |   |           |   |           |   |           |   |           |   |           |   |           |   |           |   |       |       |        |       |                                                                                                                                                                                                                                                                                                                                                                                                                                                                                                                                                                                                                                                                                                                                                                                                                                                                   |           |   |           |   |           |   |           |   |           |   |           |   |           |   |           |   |           |   |           |   |       |       |        |       |
| 28: 10,6*                                                                                        | ←                                                                                                                                                                                                                                                                                                                                                                                                                                                                                                                                                                                                                                                                                                                                                                                            |           |   |           |   |           |   |           |   |           |   |           |   |           |   |           |   |           |   |           |   |       |       |        |       |                                                                                                                                                                                                                                                                                                                                                                                                                                                                                                                                                                                                                                                                                                                                                                                                                                                                   |           |   |           |   |           |   |           |   |           |   |           |   |           |   |           |   |           |   |           |   |       |       |        |       |
| 29: 10,5*                                                                                        | ↗                                                                                                                                                                                                                                                                                                                                                                                                                                                                                                                                                                                                                                                                                                                                                                                            |           |   |           |   |           |   |           |   |           |   |           |   |           |   |           |   |           |   |           |   |       |       |        |       |                                                                                                                                                                                                                                                                                                                                                                                                                                                                                                                                                                                                                                                                                                                                                                                                                                                                   |           |   |           |   |           |   |           |   |           |   |           |   |           |   |           |   |           |   |           |   |       |       |        |       |
| 30: 10,8*                                                                                        | ↗                                                                                                                                                                                                                                                                                                                                                                                                                                                                                                                                                                                                                                                                                                                                                                                            |           |   |           |   |           |   |           |   |           |   |           |   |           |   |           |   |           |   |           |   |       |       |        |       |                                                                                                                                                                                                                                                                                                                                                                                                                                                                                                                                                                                                                                                                                                                                                                                                                                                                   |           |   |           |   |           |   |           |   |           |   |           |   |           |   |           |   |           |   |           |   |       |       |        |       |
| Serie                                                                                            | 106,5                                                                                                                                                                                                                                                                                                                                                                                                                                                                                                                                                                                                                                                                                                                                                                                        |           |   |           |   |           |   |           |   |           |   |           |   |           |   |           |   |           |   |           |   |       |       |        |       |                                                                                                                                                                                                                                                                                                                                                                                                                                                                                                                                                                                                                                                                                                                                                                                                                                                                   |           |   |           |   |           |   |           |   |           |   |           |   |           |   |           |   |           |   |           |   |       |       |        |       |
| Totalt                                                                                           | 318,8                                                                                                                                                                                                                                                                                                                                                                                                                                                                                                                                                                                                                                                                                                                                                                                        |           |   |           |   |           |   |           |   |           |   |           |   |           |   |           |   |           |   |           |   |       |       |        |       |                                                                                                                                                                                                                                                                                                                                                                                                                                                                                                                                                                                                                                                                                                                                                                                                                                                                   |           |   |           |   |           |   |           |   |           |   |           |   |           |   |           |   |           |   |           |   |       |       |        |       |

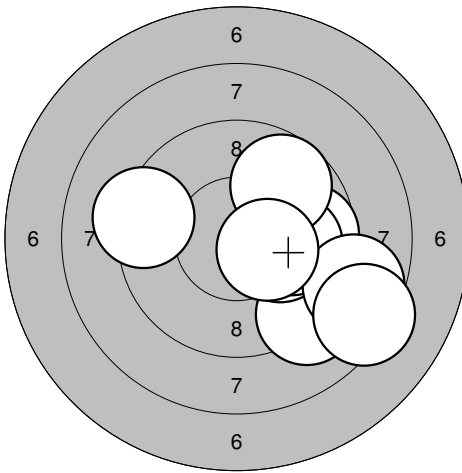
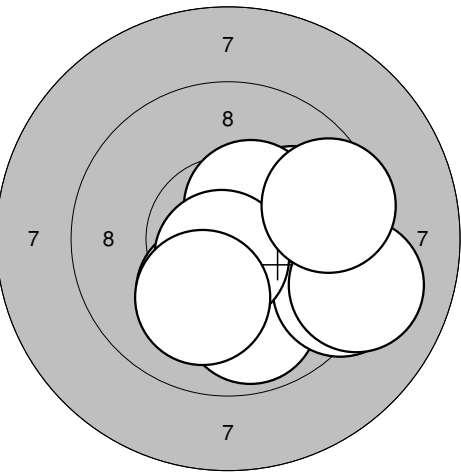
|                                                                                                   |                                                                                                                                                                                                                                                                                                                                                                                                                                                                                                                                                                                                                                                                                                                                                                              |           |   |           |   |           |   |           |   |           |   |          |   |           |   |           |   |           |   |           |   |       |       |        |       |  |
|---------------------------------------------------------------------------------------------------|------------------------------------------------------------------------------------------------------------------------------------------------------------------------------------------------------------------------------------------------------------------------------------------------------------------------------------------------------------------------------------------------------------------------------------------------------------------------------------------------------------------------------------------------------------------------------------------------------------------------------------------------------------------------------------------------------------------------------------------------------------------------------|-----------|---|-----------|---|-----------|---|-----------|---|-----------|---|----------|---|-----------|---|-----------|---|-----------|---|-----------|---|-------|-------|--------|-------|--|
| <p>60 shot</p>  | <table style="width:100%; border-collapse: collapse;"> <tr><td>31: 10,9*</td><td>↗</td></tr> <tr><td>32: 10,4*</td><td>→</td></tr> <tr><td>33: 10,7*</td><td>↑</td></tr> <tr><td>34: 10,8*</td><td>↖</td></tr> <tr><td>35: 10,9*</td><td>↑</td></tr> <tr><td>36: 10,1</td><td>↗</td></tr> <tr><td>37: 10,8*</td><td>↑</td></tr> <tr><td>38: 10,4*</td><td>←</td></tr> <tr><td>39: 10,8*</td><td>←</td></tr> <tr><td>40: 10,9*</td><td>↘</td></tr> </table> <table style="width:100%; border-collapse: collapse; margin-top: 5px;"> <tr><td style="border-top: 1px solid black;">Serie</td><td style="border-top: 1px solid black;">106,7</td></tr> <tr><td style="border-top: 1px solid black;">Totalt</td><td style="border-top: 1px solid black;">425,5</td></tr> </table> | 31: 10,9* | ↗ | 32: 10,4* | → | 33: 10,7* | ↑ | 34: 10,8* | ↖ | 35: 10,9* | ↑ | 36: 10,1 | ↗ | 37: 10,8* | ↑ | 38: 10,4* | ← | 39: 10,8* | ← | 40: 10,9* | ↘ | Serie | 106,7 | Totalt | 425,5 |  |
| 31: 10,9*                                                                                         | ↗                                                                                                                                                                                                                                                                                                                                                                                                                                                                                                                                                                                                                                                                                                                                                                            |           |   |           |   |           |   |           |   |           |   |          |   |           |   |           |   |           |   |           |   |       |       |        |       |  |
| 32: 10,4*                                                                                         | →                                                                                                                                                                                                                                                                                                                                                                                                                                                                                                                                                                                                                                                                                                                                                                            |           |   |           |   |           |   |           |   |           |   |          |   |           |   |           |   |           |   |           |   |       |       |        |       |  |
| 33: 10,7*                                                                                         | ↑                                                                                                                                                                                                                                                                                                                                                                                                                                                                                                                                                                                                                                                                                                                                                                            |           |   |           |   |           |   |           |   |           |   |          |   |           |   |           |   |           |   |           |   |       |       |        |       |  |
| 34: 10,8*                                                                                         | ↖                                                                                                                                                                                                                                                                                                                                                                                                                                                                                                                                                                                                                                                                                                                                                                            |           |   |           |   |           |   |           |   |           |   |          |   |           |   |           |   |           |   |           |   |       |       |        |       |  |
| 35: 10,9*                                                                                         | ↑                                                                                                                                                                                                                                                                                                                                                                                                                                                                                                                                                                                                                                                                                                                                                                            |           |   |           |   |           |   |           |   |           |   |          |   |           |   |           |   |           |   |           |   |       |       |        |       |  |
| 36: 10,1                                                                                          | ↗                                                                                                                                                                                                                                                                                                                                                                                                                                                                                                                                                                                                                                                                                                                                                                            |           |   |           |   |           |   |           |   |           |   |          |   |           |   |           |   |           |   |           |   |       |       |        |       |  |
| 37: 10,8*                                                                                         | ↑                                                                                                                                                                                                                                                                                                                                                                                                                                                                                                                                                                                                                                                                                                                                                                            |           |   |           |   |           |   |           |   |           |   |          |   |           |   |           |   |           |   |           |   |       |       |        |       |  |
| 38: 10,4*                                                                                         | ←                                                                                                                                                                                                                                                                                                                                                                                                                                                                                                                                                                                                                                                                                                                                                                            |           |   |           |   |           |   |           |   |           |   |          |   |           |   |           |   |           |   |           |   |       |       |        |       |  |
| 39: 10,8*                                                                                         | ←                                                                                                                                                                                                                                                                                                                                                                                                                                                                                                                                                                                                                                                                                                                                                                            |           |   |           |   |           |   |           |   |           |   |          |   |           |   |           |   |           |   |           |   |       |       |        |       |  |
| 40: 10,9*                                                                                         | ↘                                                                                                                                                                                                                                                                                                                                                                                                                                                                                                                                                                                                                                                                                                                                                                            |           |   |           |   |           |   |           |   |           |   |          |   |           |   |           |   |           |   |           |   |       |       |        |       |  |
| Serie                                                                                             | 106,7                                                                                                                                                                                                                                                                                                                                                                                                                                                                                                                                                                                                                                                                                                                                                                        |           |   |           |   |           |   |           |   |           |   |          |   |           |   |           |   |           |   |           |   |       |       |        |       |  |
| Totalt                                                                                            | 425,5                                                                                                                                                                                                                                                                                                                                                                                                                                                                                                                                                                                                                                                                                                                                                                        |           |   |           |   |           |   |           |   |           |   |          |   |           |   |           |   |           |   |           |   |       |       |        |       |  |

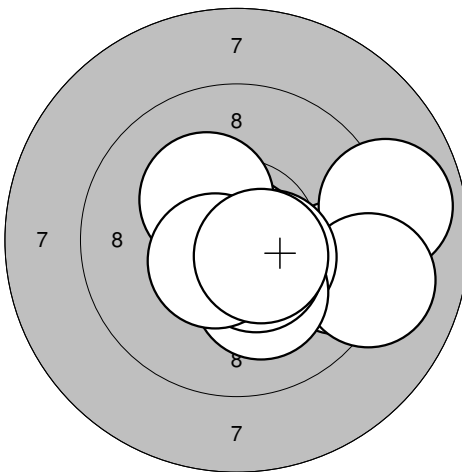
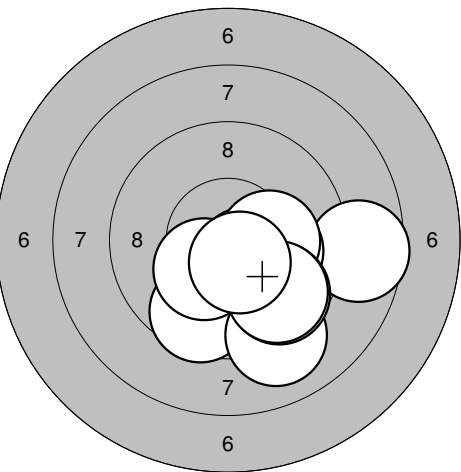
|                                                                                               |                                                                                                                                                                                                                                                                                                                                                                                                                                                                                                                        |       |       |        |     |                                                                                                 |                                                                                                                                                                                                                                                                                                                                                                |       |      |        |     |
|-----------------------------------------------------------------------------------------------|------------------------------------------------------------------------------------------------------------------------------------------------------------------------------------------------------------------------------------------------------------------------------------------------------------------------------------------------------------------------------------------------------------------------------------------------------------------------------------------------------------------------|-------|-------|--------|-----|-------------------------------------------------------------------------------------------------|----------------------------------------------------------------------------------------------------------------------------------------------------------------------------------------------------------------------------------------------------------------------------------------------------------------------------------------------------------------|-------|------|--------|-----|
| <p>Sight</p>  | <p>1: 9,5 ↘<br/>                 2: 9,8 ↘<br/>                 3: 9,9 →<br/>                 4: 9,2 ↘<br/>                 5: 10,8* ←<br/>                 6: 10,6* ↙<br/>                 7: 10,3* ↗<br/>                 8: 10,2* ↘<br/>                 9: 10,5* →<br/>                 10: 10,8* ↘</p> <table border="1" style="width:100%; border-collapse: collapse;"> <tr><td>Serie</td><td style="text-align: right;">101,6</td></tr> <tr><td>Totalt</td><td style="text-align: right;">0,0</td></tr> </table> | Serie | 101,6 | Totalt | 0,0 | <p>Sight</p>  | <p>11: 9,7 ↓<br/>                 12: 10,4* ↘<br/>                 13: 10,1 ↙<br/>                 14: 10,3* ↗<br/>                 15: 10,6* →</p> <table border="1" style="width:100%; border-collapse: collapse;"> <tr><td>Serie</td><td style="text-align: right;">51,1</td></tr> <tr><td>Totalt</td><td style="text-align: right;">0,0</td></tr> </table> | Serie | 51,1 | Totalt | 0,0 |
| Serie                                                                                         | 101,6                                                                                                                                                                                                                                                                                                                                                                                                                                                                                                                  |       |       |        |     |                                                                                                 |                                                                                                                                                                                                                                                                                                                                                                |       |      |        |     |
| Totalt                                                                                        | 0,0                                                                                                                                                                                                                                                                                                                                                                                                                                                                                                                    |       |       |        |     |                                                                                                 |                                                                                                                                                                                                                                                                                                                                                                |       |      |        |     |
| Serie                                                                                         | 51,1                                                                                                                                                                                                                                                                                                                                                                                                                                                                                                                   |       |       |        |     |                                                                                                 |                                                                                                                                                                                                                                                                                                                                                                |       |      |        |     |
| Totalt                                                                                        | 0,0                                                                                                                                                                                                                                                                                                                                                                                                                                                                                                                    |       |       |        |     |                                                                                                 |                                                                                                                                                                                                                                                                                                                                                                |       |      |        |     |

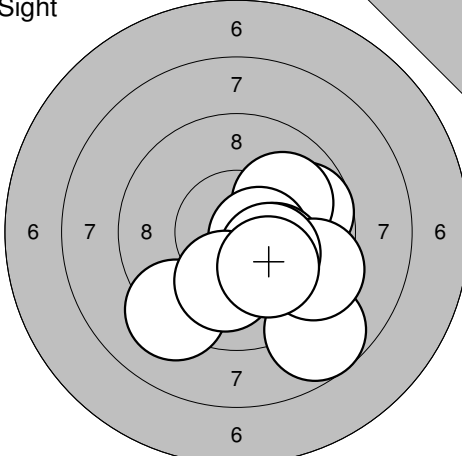
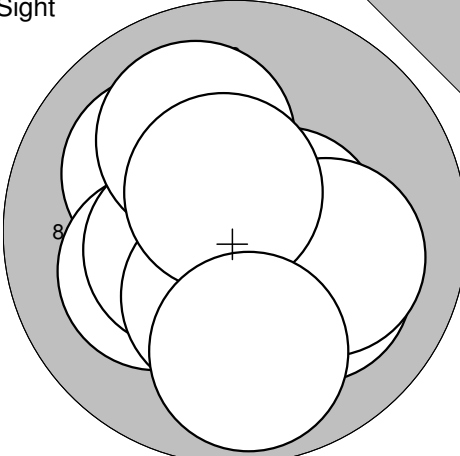
|                                                                                                  |                                                                                                                                                                                                                                                                                                                                                                                                                                                                                                                             |       |       |        |       |                                                                                                    |                                                                                                                                                                                                                                                                                                                                                                                                                                                                                                                                    |       |       |        |       |
|--------------------------------------------------------------------------------------------------|-----------------------------------------------------------------------------------------------------------------------------------------------------------------------------------------------------------------------------------------------------------------------------------------------------------------------------------------------------------------------------------------------------------------------------------------------------------------------------------------------------------------------------|-------|-------|--------|-------|----------------------------------------------------------------------------------------------------|------------------------------------------------------------------------------------------------------------------------------------------------------------------------------------------------------------------------------------------------------------------------------------------------------------------------------------------------------------------------------------------------------------------------------------------------------------------------------------------------------------------------------------|-------|-------|--------|-------|
| <p>60 shot</p>  | <p>1: 10,4* →<br/>                 2: 10,7* ↗<br/>                 3: 10,7* ↗<br/>                 4: 9,8 →<br/>                 5: 10,3* ↘<br/>                 6: 9,7 ↘<br/>                 7: 10,2* ↗<br/>                 8: 10,4* →<br/>                 9: 10,0 ↙<br/>                 10: 10,8* ↗</p> <table border="1" style="width:100%; border-collapse: collapse;"> <tr><td>Serie</td><td style="text-align: right;">103,0</td></tr> <tr><td>Totalt</td><td style="text-align: right;">103,0</td></tr> </table> | Serie | 103,0 | Totalt | 103,0 | <p>60 shot</p>  | <p>11: 10,7* ↙<br/>                 12: 10,9* ↙<br/>                 13: 9,9 ↗<br/>                 14: 10,6* ←<br/>                 15: 10,1 →<br/>                 16: 9,6 →<br/>                 17: 10,4* ↘<br/>                 18: 10,8* ←<br/>                 19: 9,8 →<br/>                 20: 10,7* ↑</p> <table border="1" style="width:100%; border-collapse: collapse;"> <tr><td>Serie</td><td style="text-align: right;">103,5</td></tr> <tr><td>Totalt</td><td style="text-align: right;">206,5</td></tr> </table> | Serie | 103,5 | Totalt | 206,5 |
| Serie                                                                                            | 103,0                                                                                                                                                                                                                                                                                                                                                                                                                                                                                                                       |       |       |        |       |                                                                                                    |                                                                                                                                                                                                                                                                                                                                                                                                                                                                                                                                    |       |       |        |       |
| Totalt                                                                                           | 103,0                                                                                                                                                                                                                                                                                                                                                                                                                                                                                                                       |       |       |        |       |                                                                                                    |                                                                                                                                                                                                                                                                                                                                                                                                                                                                                                                                    |       |       |        |       |
| Serie                                                                                            | 103,5                                                                                                                                                                                                                                                                                                                                                                                                                                                                                                                       |       |       |        |       |                                                                                                    |                                                                                                                                                                                                                                                                                                                                                                                                                                                                                                                                    |       |       |        |       |
| Totalt                                                                                           | 206,5                                                                                                                                                                                                                                                                                                                                                                                                                                                                                                                       |       |       |        |       |                                                                                                    |                                                                                                                                                                                                                                                                                                                                                                                                                                                                                                                                    |       |       |        |       |

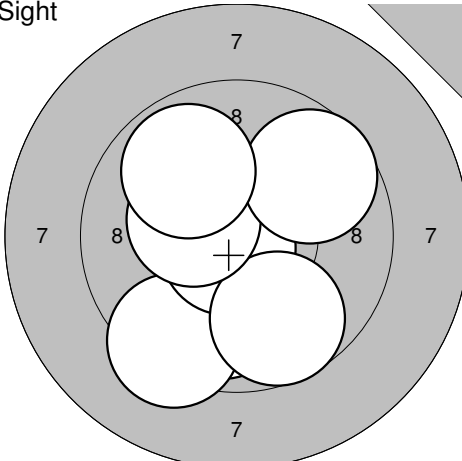
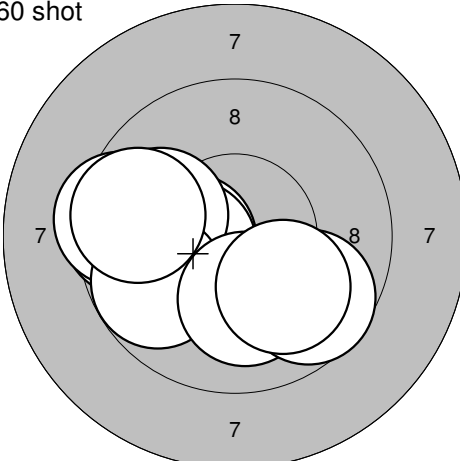
|                                                                                                   |                                                                                                                                                                                                                                                                                                                                                                                                                                                                                                                                  |       |       |        |       |                                                                                                     |                                                                                                                                                                                                                                                                                                                                                                                                                                                                                                                                        |       |       |        |       |
|---------------------------------------------------------------------------------------------------|----------------------------------------------------------------------------------------------------------------------------------------------------------------------------------------------------------------------------------------------------------------------------------------------------------------------------------------------------------------------------------------------------------------------------------------------------------------------------------------------------------------------------------|-------|-------|--------|-------|-----------------------------------------------------------------------------------------------------|----------------------------------------------------------------------------------------------------------------------------------------------------------------------------------------------------------------------------------------------------------------------------------------------------------------------------------------------------------------------------------------------------------------------------------------------------------------------------------------------------------------------------------------|-------|-------|--------|-------|
| <p>60 shot</p>  | <p>21: 9,7 →<br/>                 22: 10,4* →<br/>                 23: 9,1 ↗<br/>                 24: 10,1 →<br/>                 25: 10,1 ↑<br/>                 26: 10,4* ↗<br/>                 27: 10,0 →<br/>                 28: 10,8* ↙<br/>                 29: 10,7* ↙<br/>                 30: 9,8 ↗</p> <table border="1" style="width:100%; border-collapse: collapse;"> <tr><td>Serie</td><td style="text-align: right;">101,1</td></tr> <tr><td>Totalt</td><td style="text-align: right;">307,6</td></tr> </table> | Serie | 101,1 | Totalt | 307,6 | <p>60 shot</p>  | <p>31: 9,2 ↗<br/>                 32: 10,2* →<br/>                 33: 10,2* ↗<br/>                 34: 10,6* ↗<br/>                 35: 10,2* ↗<br/>                 36: 10,2* ↑<br/>                 37: 10,4* ↗<br/>                 38: 10,4* ↑<br/>                 39: 10,5* ↘<br/>                 40: 10,1 →</p> <table border="1" style="width:100%; border-collapse: collapse;"> <tr><td>Serie</td><td style="text-align: right;">102,0</td></tr> <tr><td>Totalt</td><td style="text-align: right;">409,6</td></tr> </table> | Serie | 102,0 | Totalt | 409,6 |
| Serie                                                                                             | 101,1                                                                                                                                                                                                                                                                                                                                                                                                                                                                                                                            |       |       |        |       |                                                                                                     |                                                                                                                                                                                                                                                                                                                                                                                                                                                                                                                                        |       |       |        |       |
| Totalt                                                                                            | 307,6                                                                                                                                                                                                                                                                                                                                                                                                                                                                                                                            |       |       |        |       |                                                                                                     |                                                                                                                                                                                                                                                                                                                                                                                                                                                                                                                                        |       |       |        |       |
| Serie                                                                                             | 102,0                                                                                                                                                                                                                                                                                                                                                                                                                                                                                                                            |       |       |        |       |                                                                                                     |                                                                                                                                                                                                                                                                                                                                                                                                                                                                                                                                        |       |       |        |       |
| Totalt                                                                                            | 409,6                                                                                                                                                                                                                                                                                                                                                                                                                                                                                                                            |       |       |        |       |                                                                                                     |                                                                                                                                                                                                                                                                                                                                                                                                                                                                                                                                        |       |       |        |       |

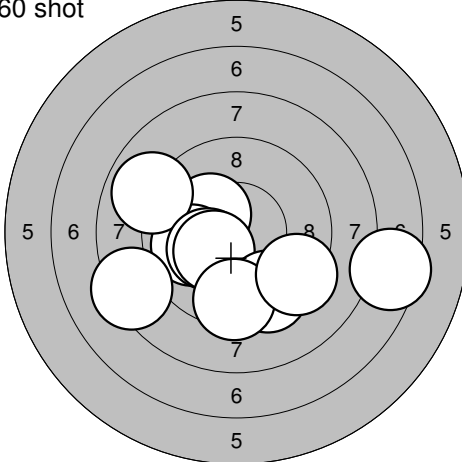
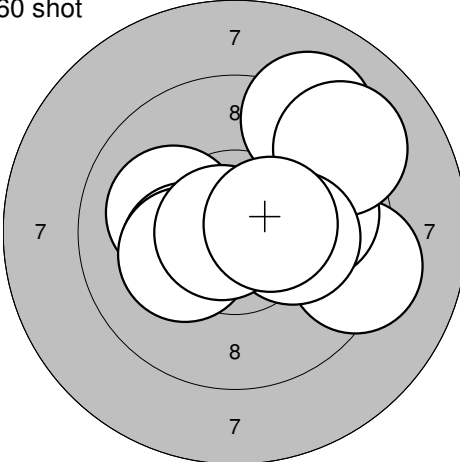
|                                                                                                                                                                             |                                                                                                                                                                                  |  |
|-----------------------------------------------------------------------------------------------------------------------------------------------------------------------------|----------------------------------------------------------------------------------------------------------------------------------------------------------------------------------|--|
| <p>Sight</p>                                                                                | <p>Sight</p>                                                                                   |  |
| <p>1: 10,7* →</p> <p>2: 9,5 ←</p> <p>3: 10,0 ↑</p> <p>4: 10,5* ↓</p> <p>5: 9,9 →</p> <p>6: 9,2 ↑</p> <p>7: 10,5* ↓</p> <p>8: 10,7* ↓</p> <p>9: 8,4 ↓</p> <p>10: 10,2* ↓</p> | <p>11: 9,5 →</p> <p>12: 9,3 ↓</p> <p>13: 9,8 ↓</p> <p>14: 10,1 ↓</p> <p>15: 10,3* →</p> <p>16: 7,7 →</p> <p>17: 8,6 ↗</p> <p>18: 10,6* ↘</p> <p>19: 9,3 ←</p> <p>20: 10,6* ←</p> |  |
| Serie 99,6                                                                                                                                                                  | Serie 95,8                                                                                                                                                                       |  |
| Totalt 0,0                                                                                                                                                                  | Totalt 0,0                                                                                                                                                                       |  |

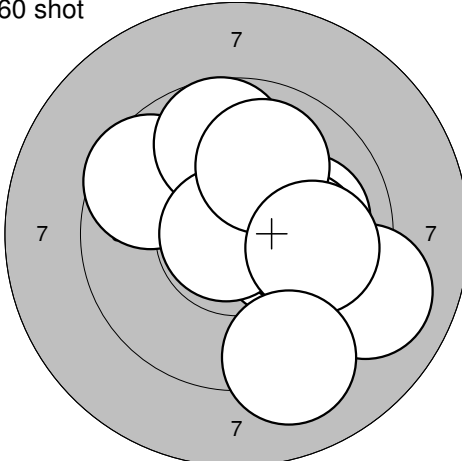
|                                                                                                                                                                       |                                                                                                                                                                                   |  |
|-----------------------------------------------------------------------------------------------------------------------------------------------------------------------|-----------------------------------------------------------------------------------------------------------------------------------------------------------------------------------|--|
| <p>60 shot</p>                                                                       | <p>60 shot</p>                                                                                 |  |
| <p>1: 10,1 →</p> <p>2: 9,3 ←</p> <p>3: 9,7 →</p> <p>4: 9,1 ↓</p> <p>5: 10,1 →</p> <p>6: 10,0 →</p> <p>7: 8,7 →</p> <p>8: 9,7 ↗</p> <p>9: 10,4* →</p> <p>10: 8,3 ↓</p> | <p>11: 9,5 →</p> <p>12: 9,9 ↓</p> <p>13: 10,2* ↓</p> <p>14: 10,0 →</p> <p>15: 9,3 →</p> <p>16: 10,4* ↗</p> <p>17: 10,7* ↓</p> <p>18: 9,1 →</p> <p>19: 10,1 ↓</p> <p>20: 9,5 →</p> |  |
| Serie 95,4                                                                                                                                                            | Serie 98,7                                                                                                                                                                        |  |
| Totalt 95,4                                                                                                                                                           | Totalt 194,1                                                                                                                                                                      |  |

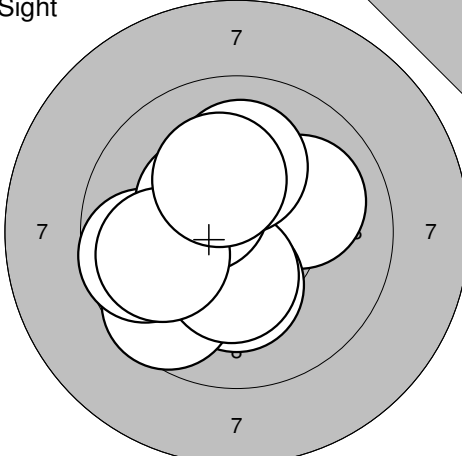
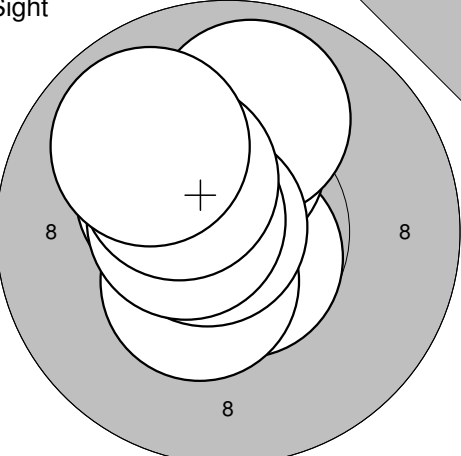
|                                                                                                                                                                                         |                                                                                                                                                                                    |  |
|-----------------------------------------------------------------------------------------------------------------------------------------------------------------------------------------|------------------------------------------------------------------------------------------------------------------------------------------------------------------------------------|--|
| <p>60 shot</p>                                                                                        | <p>60 shot</p>                                                                                 |  |
| <p>21: 9,5 →</p> <p>22: 10,9* ↓</p> <p>23: 8,9 →</p> <p>24: 9,1 →</p> <p>25: 10,5* ↓</p> <p>26: 10,2* ↓</p> <p>27: 10,5* ↓</p> <p>28: 10,3* ↗</p> <p>29: 10,5* ↓</p> <p>30: 10,6* ↓</p> | <p>31: 10,5* ↓</p> <p>32: 9,6 ↓</p> <p>33: 8,6 →</p> <p>34: 9,1 ↓</p> <p>35: 10,1 →</p> <p>36: 10,2* →</p> <p>37: 9,6 ↓</p> <p>38: 9,7 ↓</p> <p>39: 10,3* ↓</p> <p>40: 10,5* ↓</p> |  |
| Serie 101,0                                                                                                                                                                             | Serie 98,2                                                                                                                                                                         |  |
| Totalt 295,1                                                                                                                                                                            | Totalt 393,3                                                                                                                                                                       |  |

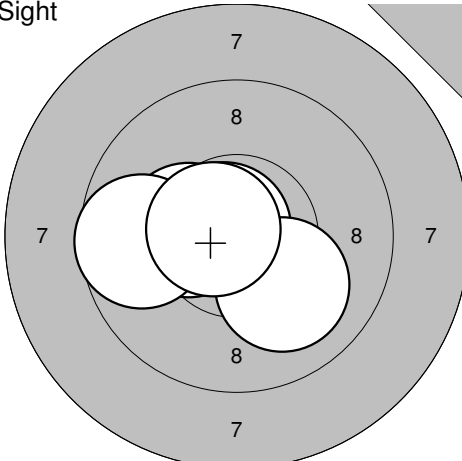
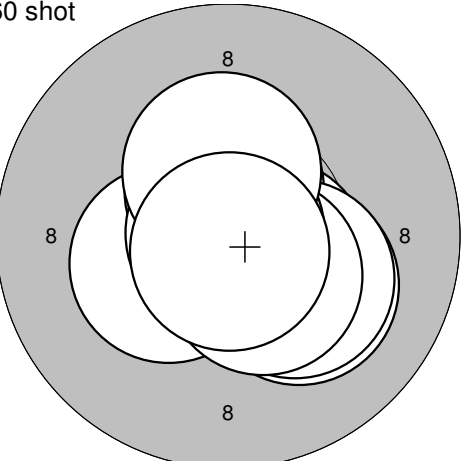
|                                                                                           |                                                                                                                                                            |                                                                                             |                                                                                                                                                                           |
|-------------------------------------------------------------------------------------------|------------------------------------------------------------------------------------------------------------------------------------------------------------|---------------------------------------------------------------------------------------------|---------------------------------------------------------------------------------------------------------------------------------------------------------------------------|
| Sight<br> | 1: 9,7 →<br>2: 9,2 ↘<br>3: 10,0 →<br>4: 10,5* →<br>5: 8,7 ↘<br>6: 10,2* ↘<br>7: 9,4 ↘<br>8: 10,2* ↘<br>9: 10,1 ↘<br>10: 10,1 ↘<br>Serie 98,1<br>Totalt 0,0 | Sight<br> | 11: 10,1 ↗<br>12: 10,2* ↖<br>13: 10,5* ↖<br>14: 10,4* ↘<br>15: 10,5* →<br>16: 10,1 ↘<br>17: 10,1 →<br>18: 10,1 ↗<br>19: 10,6* ↗<br>20: 9,9 ↘<br>Serie 102,5<br>Totalt 0,0 |
|-------------------------------------------------------------------------------------------|------------------------------------------------------------------------------------------------------------------------------------------------------------|---------------------------------------------------------------------------------------------|---------------------------------------------------------------------------------------------------------------------------------------------------------------------------|

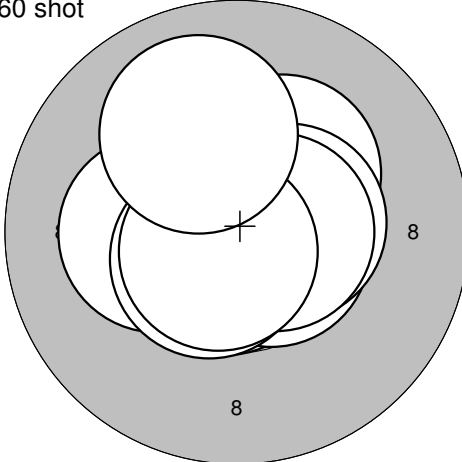
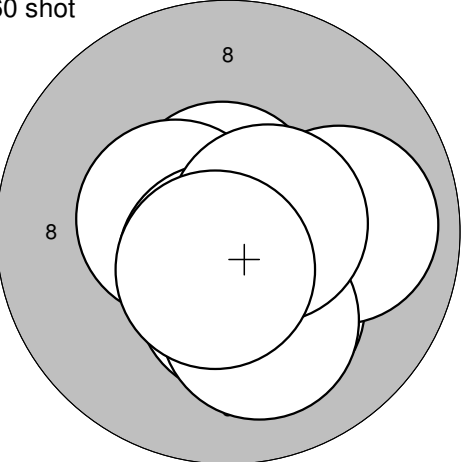
|                                                                                            |                                                                                                                         |                                                                                                |                                                                                                                                                          |
|--------------------------------------------------------------------------------------------|-------------------------------------------------------------------------------------------------------------------------|------------------------------------------------------------------------------------------------|----------------------------------------------------------------------------------------------------------------------------------------------------------|
| Sight<br> | 21: 9,9 ↘<br>22: 9,3 ↘<br>23: 10,7* ↘<br>24: 9,7 ↘<br>25: 10,3* ↗<br>26: 9,7 ↗<br>27: 9,9 ↗<br>Serie 69,5<br>Totalt 0,0 | 60 shot<br> | 1: 10,3* ←<br>2: 9,6 ←<br>3: 10,3* ←<br>4: 9,9 ←<br>5: 9,4 ←<br>6: 9,8 ↖<br>7: 10,1 ↘<br>8: 9,6 ←<br>9: 9,7 ↘<br>10: 10,0 ↘<br>Serie 98,7<br>Totalt 98,7 |
|--------------------------------------------------------------------------------------------|-------------------------------------------------------------------------------------------------------------------------|------------------------------------------------------------------------------------------------|----------------------------------------------------------------------------------------------------------------------------------------------------------|

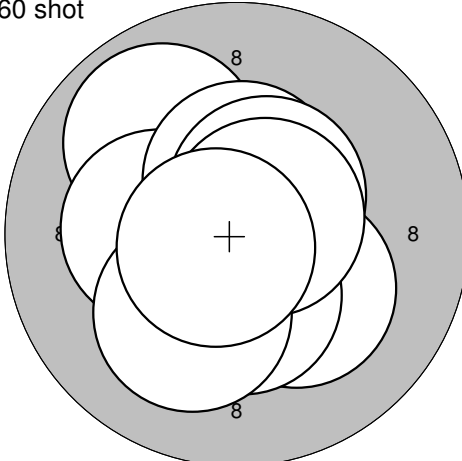
|                                                                                               |                                                                                                                                                                    |                                                                                                 |                                                                                                                                                                         |
|-----------------------------------------------------------------------------------------------|--------------------------------------------------------------------------------------------------------------------------------------------------------------------|-------------------------------------------------------------------------------------------------|-------------------------------------------------------------------------------------------------------------------------------------------------------------------------|
| 60 shot<br> | 11: 10,3* ↗<br>12: 9,9 ←<br>13: 8,9 ↗<br>14: 8,3 ↖<br>15: 10,2* ↖<br>16: 10,3* ↖<br>17: 9,5 ↘<br>18: 9,5 ↘<br>19: 9,3 ↘<br>20: 7,5 →<br>Serie 93,7<br>Totalt 192,4 | 60 shot<br> | 21: 9,2 ↗<br>22: 9,3 →<br>23: 9,9 →<br>24: 9,2 ↗<br>25: 10,2* →<br>26: 10,1 ↖<br>27: 10,3* ↖<br>28: 10,2* ↖<br>29: 10,8* ↖<br>30: 10,5* →<br>Serie 99,7<br>Totalt 292,1 |
|-----------------------------------------------------------------------------------------------|--------------------------------------------------------------------------------------------------------------------------------------------------------------------|-------------------------------------------------------------------------------------------------|-------------------------------------------------------------------------------------------------------------------------------------------------------------------------|

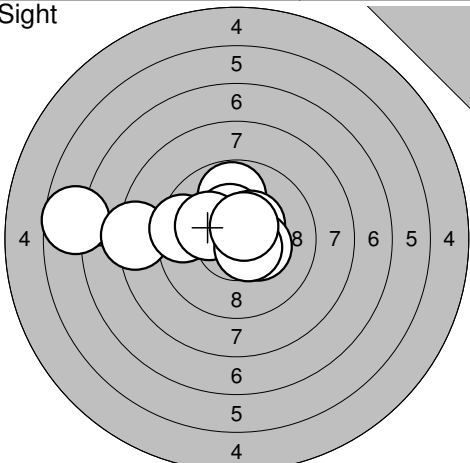
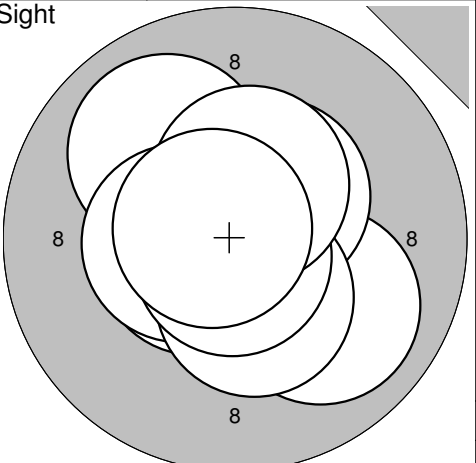
|                                                                                               |                                                                                                                                                                      |  |  |
|-----------------------------------------------------------------------------------------------|----------------------------------------------------------------------------------------------------------------------------------------------------------------------|--|--|
| 60 shot<br> | 31: 10,3* →<br>32: 10,0 →<br>33: 10,2* →<br>34: 9,6 ↗<br>35: 9,7 ↗<br>36: 10,8* ←<br>37: 9,1 ↘<br>38: 10,0 ↗<br>39: 9,9 →<br>40: 9,2 ↘<br>Serie 98,8<br>Totalt 390,9 |  |  |
|-----------------------------------------------------------------------------------------------|----------------------------------------------------------------------------------------------------------------------------------------------------------------------|--|--|

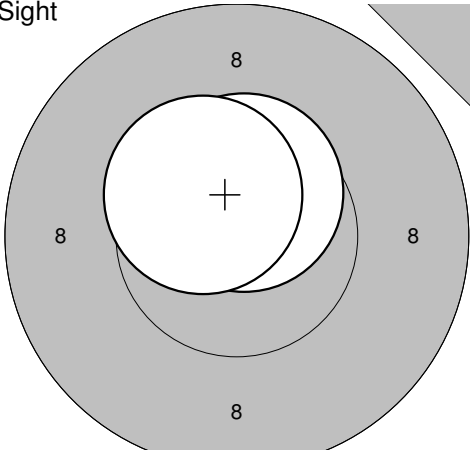
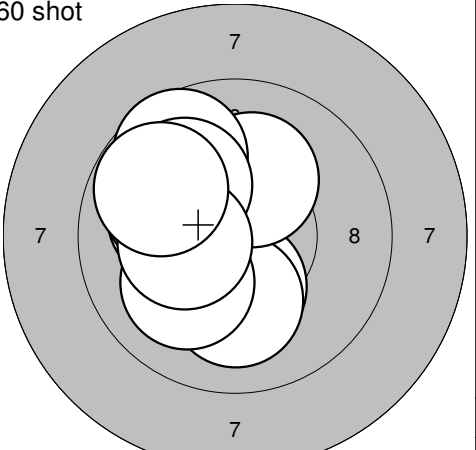
|                                                                                  |                                                                                                                                  |                                                                                    |
|----------------------------------------------------------------------------------|----------------------------------------------------------------------------------------------------------------------------------|------------------------------------------------------------------------------------|
| Sight                                                                            |                                                                                                                                  | Sight                                                                              |
|  | 1: 10,0 →<br>2: 10,0 ↙<br>3: 10,2* ↓<br>4: 9,6 ↙<br>5: 9,7 ←<br>6: 10,4* ↓<br>7: 10,4* ↗<br>8: 9,9 ←<br>9: 10,1 ↑<br>10: 10,2* ↑ |  |
|                                                                                  | Serie 100,5<br>Totalt 0,0                                                                                                        | Serie 103,4<br>Totalt 0,0                                                          |

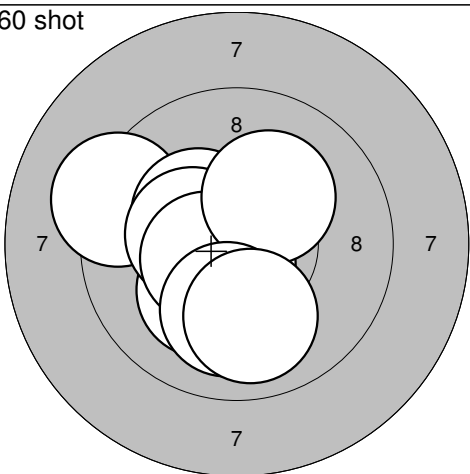
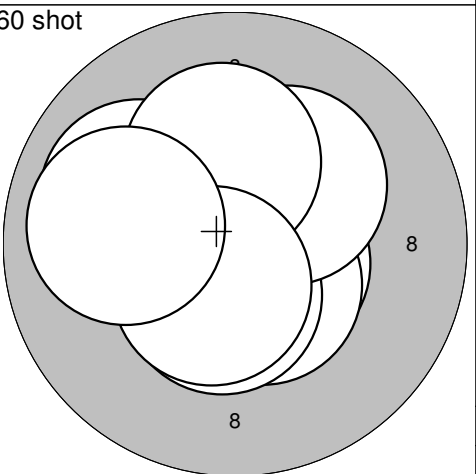
|                                                                                   |                                                                      |                                                                                     |
|-----------------------------------------------------------------------------------|----------------------------------------------------------------------|-------------------------------------------------------------------------------------|
| Sight                                                                             |                                                                      | 60 shot                                                                             |
|  | 21: 10,8* ↖<br>22: 10,3* ←<br>23: 10,1 ↘<br>24: 9,7 ←<br>25: 10,6* ↖ |  |
|                                                                                   | Serie 51,5<br>Totalt 0,0                                             | Serie 105,0<br>Totalt 105,0                                                         |

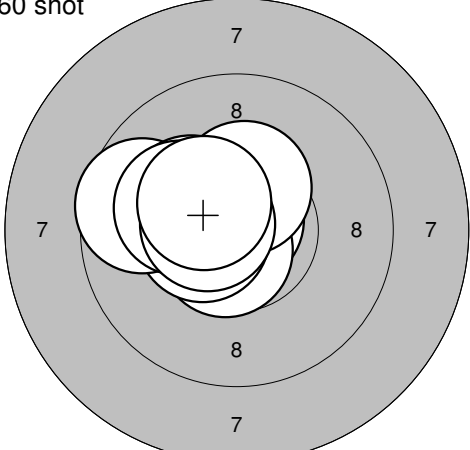
|                                                                                    |                                                                                                                                                   |                                                                                      |
|------------------------------------------------------------------------------------|---------------------------------------------------------------------------------------------------------------------------------------------------|--------------------------------------------------------------------------------------|
| 60 shot                                                                            |                                                                                                                                                   | 60 shot                                                                              |
|  | 11: 10,7* ↓<br>12: 10,6* →<br>13: 10,3* ↗<br>14: 10,6* →<br>15: 10,2* ←<br>16: 10,5* →<br>17: 10,6* ↙<br>18: 10,6* →<br>19: 10,7* ↙<br>20: 10,0 ↑ |  |
|                                                                                    | Serie 104,8<br>Totalt 209,8                                                                                                                       | Serie 104,3<br>Totalt 314,1                                                          |

|                                                                                    |                                                                                                                                                 |  |
|------------------------------------------------------------------------------------|-------------------------------------------------------------------------------------------------------------------------------------------------|--|
| 60 shot                                                                            |                                                                                                                                                 |  |
|  | 31: 9,9 ↗<br>32: 10,2* ↓<br>33: 10,3* ←<br>34: 10,7* ↓<br>35: 10,5* ↑<br>36: 10,5* ↗<br>37: 10,4* ↓<br>38: 10,6* ↗<br>39: 10,1 ↙<br>40: 10,7* ↙ |  |
|                                                                                    | Serie 103,9<br>Totalt 418,0                                                                                                                     |  |

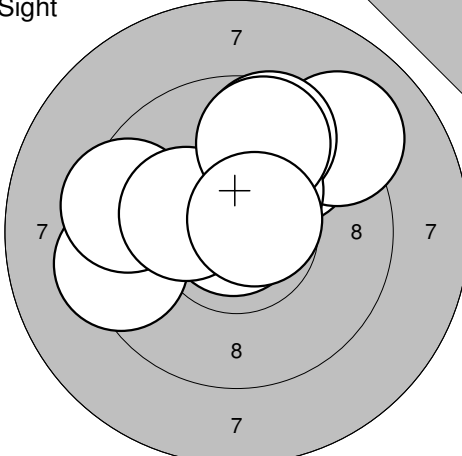
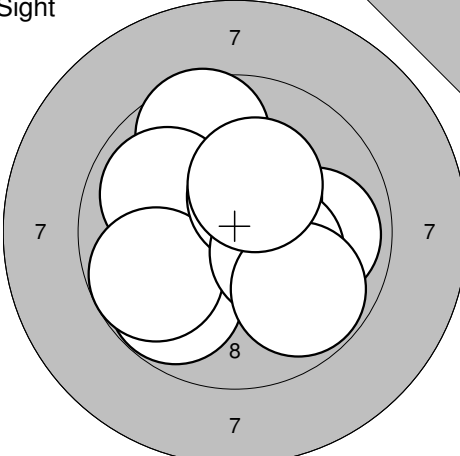
|                                                                                               |                                                                                                                                                                                                                                                                                                                                             |                                                                                                 |                                                                                                                                                                                                                                                                                                                                                             |
|-----------------------------------------------------------------------------------------------|---------------------------------------------------------------------------------------------------------------------------------------------------------------------------------------------------------------------------------------------------------------------------------------------------------------------------------------------|-------------------------------------------------------------------------------------------------|-------------------------------------------------------------------------------------------------------------------------------------------------------------------------------------------------------------------------------------------------------------------------------------------------------------------------------------------------------------|
| <p>Sight</p>  | <p>1: 6,7 ←<br/>                 2: 8,3 ←<br/>                 3: 9,5 ←<br/>                 4: 9,8 ↑<br/>                 5: 10,4* ↑<br/>                 6: 10,2* ↖<br/>                 7: 10,4* ↗<br/>                 8: 10,3* →<br/>                 9: 10,6* ↘<br/>                 10: 10,6* ↗</p> <p>Serie 96,8<br/>Totalt 0,0</p> | <p>Sight</p>  | <p>11: 10,6* ←<br/>                 12: 10,0 ↗<br/>                 13: 10,0 ↘<br/>                 14: 10,6* ←<br/>                 15: 10,4* ↗<br/>                 16: 10,5* ←<br/>                 17: 10,4* ↓<br/>                 18: 10,8* ↓<br/>                 19: 10,5* ↑<br/>                 20: 10,7* ↖</p> <p>Serie 104,5<br/>Totalt 0,0</p> |
|-----------------------------------------------------------------------------------------------|---------------------------------------------------------------------------------------------------------------------------------------------------------------------------------------------------------------------------------------------------------------------------------------------------------------------------------------------|-------------------------------------------------------------------------------------------------|-------------------------------------------------------------------------------------------------------------------------------------------------------------------------------------------------------------------------------------------------------------------------------------------------------------------------------------------------------------|

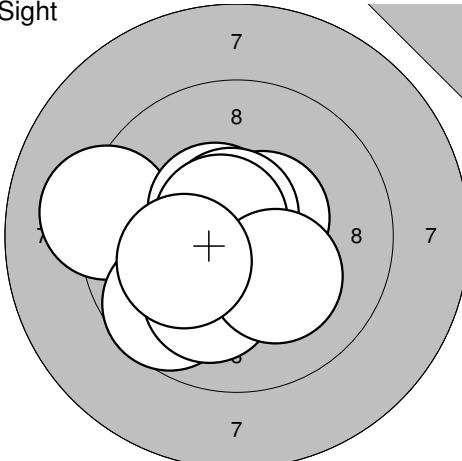
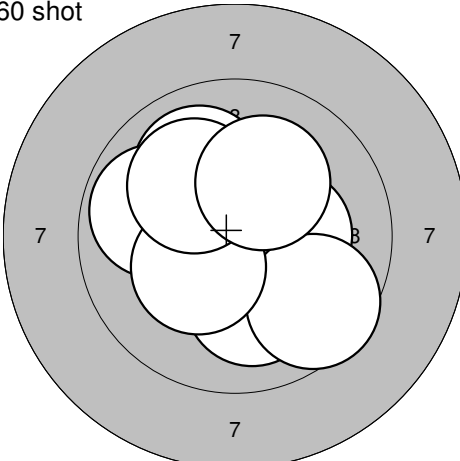
|                                                                                                |                                                                                      |                                                                                                    |                                                                                                                                                                                                                                                                                                                                               |
|------------------------------------------------------------------------------------------------|--------------------------------------------------------------------------------------|----------------------------------------------------------------------------------------------------|-----------------------------------------------------------------------------------------------------------------------------------------------------------------------------------------------------------------------------------------------------------------------------------------------------------------------------------------------|
| <p>Sight</p>  | <p>21: 10,6* ↑<br/>                 22: 10,5* ↘</p> <p>Serie 21,1<br/>Totalt 0,0</p> | <p>60 shot</p>  | <p>1: 10,3* ↓<br/>                 2: 10,1 ↓<br/>                 3: 10,1 ↖<br/>                 4: 10,0 ↗<br/>                 5: 10,2* ↑<br/>                 6: 9,7 ↗<br/>                 7: 10,0 ↗<br/>                 8: 10,1 ↙<br/>                 9: 10,3* ←<br/>                 10: 9,8 ↗</p> <p>Serie 100,6<br/>Totalt 100,6</p> |
|------------------------------------------------------------------------------------------------|--------------------------------------------------------------------------------------|----------------------------------------------------------------------------------------------------|-----------------------------------------------------------------------------------------------------------------------------------------------------------------------------------------------------------------------------------------------------------------------------------------------------------------------------------------------|

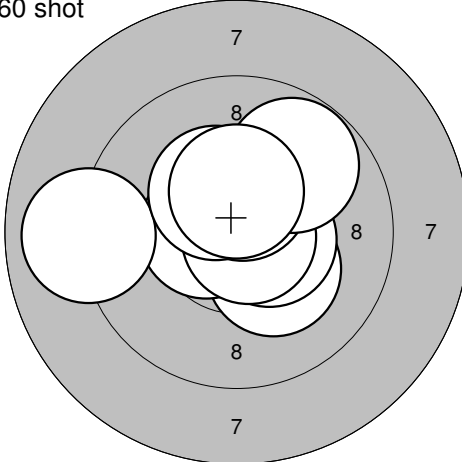
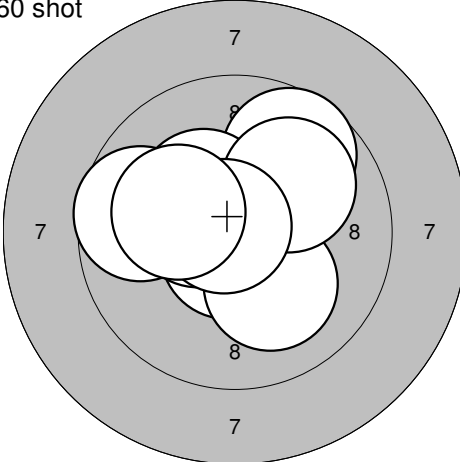
|                                                                                                   |                                                                                                                                                                                                                                                                                                                                                             |                                                                                                     |                                                                                                                                                                                                                                                                                                                                                               |
|---------------------------------------------------------------------------------------------------|-------------------------------------------------------------------------------------------------------------------------------------------------------------------------------------------------------------------------------------------------------------------------------------------------------------------------------------------------------------|-----------------------------------------------------------------------------------------------------|---------------------------------------------------------------------------------------------------------------------------------------------------------------------------------------------------------------------------------------------------------------------------------------------------------------------------------------------------------------|
| <p>60 shot</p>  | <p>11: 10,7* ↓<br/>                 12: 9,3 ←<br/>                 13: 10,5* ↖<br/>                 14: 10,3* ↗<br/>                 15: 10,2* ↓<br/>                 16: 10,4* ←<br/>                 17: 10,5* ←<br/>                 18: 10,2* ↗<br/>                 19: 10,1 ↓<br/>                 20: 10,0 ↓</p> <p>Serie 102,2<br/>Totalt 202,8</p> | <p>60 shot</p>  | <p>21: 10,6* ↘<br/>                 22: 10,5* ↓<br/>                 23: 10,0 ↗<br/>                 24: 10,5* ↑<br/>                 25: 10,5* ↓<br/>                 26: 10,4* ↗<br/>                 27: 10,2* ↗<br/>                 28: 10,2* ↑<br/>                 29: 10,5* ↓<br/>                 30: 10,0 ←</p> <p>Serie 103,4<br/>Totalt 306,2</p> |
|---------------------------------------------------------------------------------------------------|-------------------------------------------------------------------------------------------------------------------------------------------------------------------------------------------------------------------------------------------------------------------------------------------------------------------------------------------------------------|-----------------------------------------------------------------------------------------------------|---------------------------------------------------------------------------------------------------------------------------------------------------------------------------------------------------------------------------------------------------------------------------------------------------------------------------------------------------------------|

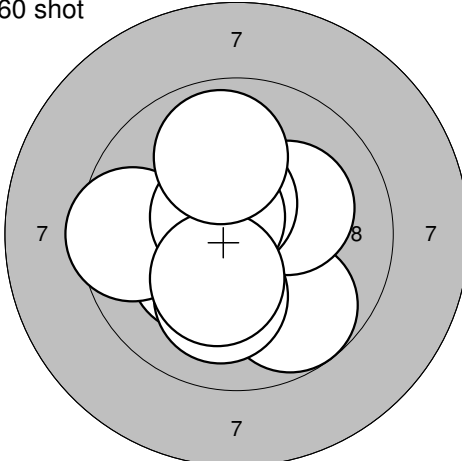
|                                                                                                   |                                                                                                                                                                                                                                                                                                                                                               |  |  |
|---------------------------------------------------------------------------------------------------|---------------------------------------------------------------------------------------------------------------------------------------------------------------------------------------------------------------------------------------------------------------------------------------------------------------------------------------------------------------|--|--|
| <p>60 shot</p>  | <p>31: 10,8* ↑<br/>                 32: 10,6* ↓<br/>                 33: 10,2* ↖<br/>                 34: 10,4* ↑<br/>                 35: 10,5* ←<br/>                 36: 9,6 ←<br/>                 37: 10,2* ↗<br/>                 38: 10,2* ↖<br/>                 39: 10,6* ←<br/>                 40: 10,4* ↗</p> <p>Serie 103,5<br/>Totalt 409,7</p> |  |  |
|---------------------------------------------------------------------------------------------------|---------------------------------------------------------------------------------------------------------------------------------------------------------------------------------------------------------------------------------------------------------------------------------------------------------------------------------------------------------------|--|--|

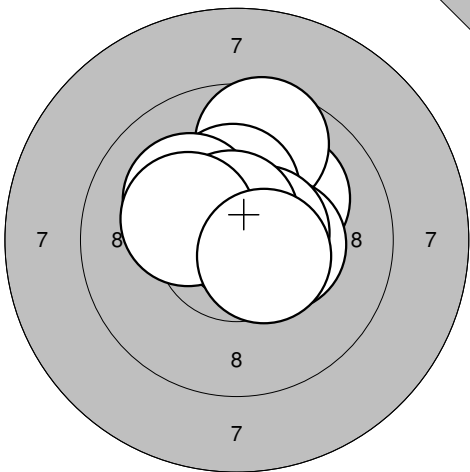
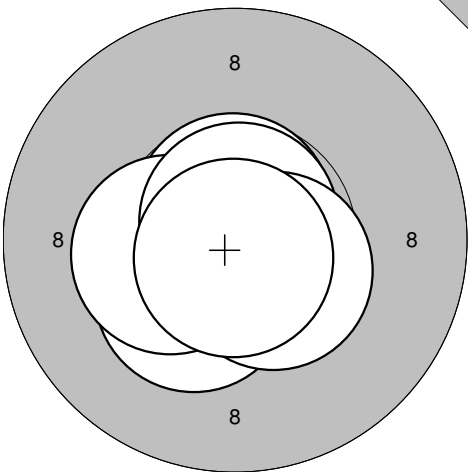


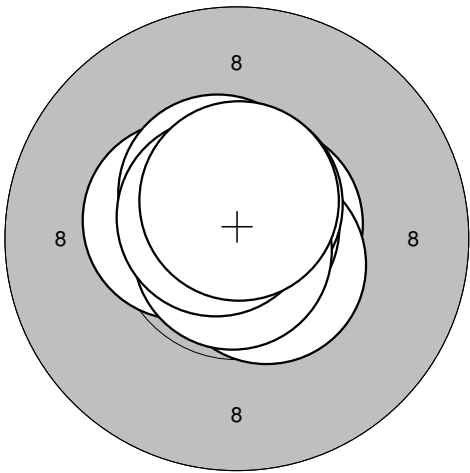
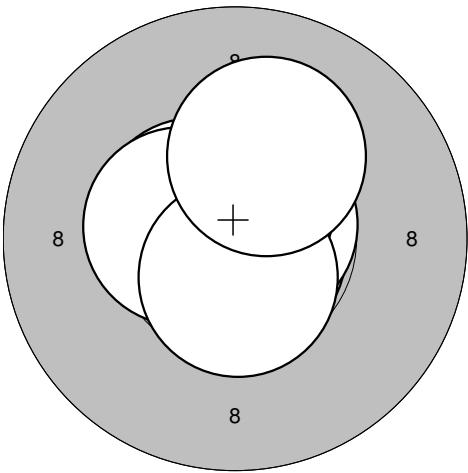
|                                                                                               |                                                                                                                                                                                                                                                                                                                                         |                                                                                                 |                                                                                                                                                                                                                                                                                                                                                   |
|-----------------------------------------------------------------------------------------------|-----------------------------------------------------------------------------------------------------------------------------------------------------------------------------------------------------------------------------------------------------------------------------------------------------------------------------------------|-------------------------------------------------------------------------------------------------|---------------------------------------------------------------------------------------------------------------------------------------------------------------------------------------------------------------------------------------------------------------------------------------------------------------------------------------------------|
| <p>Sight</p>  | <p>1: 9,8 ↗<br/>                 2: 9,4 ←<br/>                 3: 9,1 ↗<br/>                 4: 9,6 ↑<br/>                 5: 10,9* ↘<br/>                 6: 9,5 ←<br/>                 7: 10,3* ↑<br/>                 8: 10,2* ←<br/>                 9: 9,7 ↑<br/>                 10: 10,7* ↗</p> <p>Serie 99,2<br/>Totalt 0,0</p> | <p>Sight</p>  | <p>11: 10,4* ↑<br/>                 12: 9,6 ↑<br/>                 13: 9,9 ↗<br/>                 14: 9,9 →<br/>                 15: 9,8 ↘<br/>                 16: 9,8 ←<br/>                 17: 10,4* ↑<br/>                 18: 10,3* ↘<br/>                 19: 9,8 ↘<br/>                 20: 10,3* ↑</p> <p>Serie 100,2<br/>Totalt 0,0</p> |
|-----------------------------------------------------------------------------------------------|-----------------------------------------------------------------------------------------------------------------------------------------------------------------------------------------------------------------------------------------------------------------------------------------------------------------------------------------|-------------------------------------------------------------------------------------------------|---------------------------------------------------------------------------------------------------------------------------------------------------------------------------------------------------------------------------------------------------------------------------------------------------------------------------------------------------|

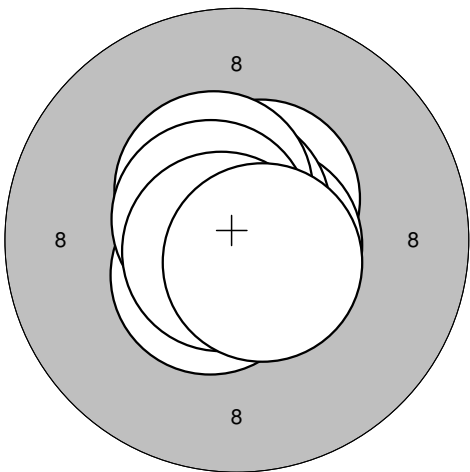
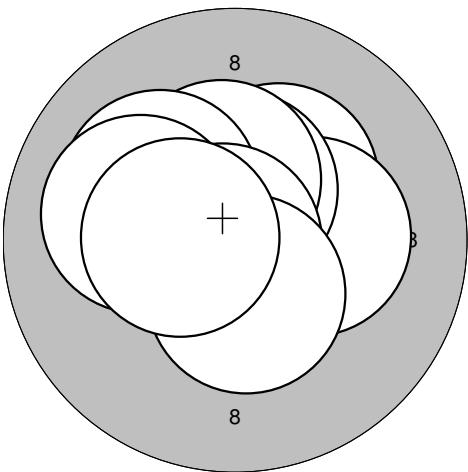
|                                                                                                |                                                                                                                                                                                                                                                                                                                        |                                                                                                    |                                                                                                                                                                                                                                                                                                                                                 |
|------------------------------------------------------------------------------------------------|------------------------------------------------------------------------------------------------------------------------------------------------------------------------------------------------------------------------------------------------------------------------------------------------------------------------|----------------------------------------------------------------------------------------------------|-------------------------------------------------------------------------------------------------------------------------------------------------------------------------------------------------------------------------------------------------------------------------------------------------------------------------------------------------|
| <p>Sight</p>  | <p>21: 10,5* ↗<br/>                 22: 9,2 ←<br/>                 23: 9,7 ↘<br/>                 24: 10,1 ↓<br/>                 25: 10,5* ↗<br/>                 26: 10,7* ↑<br/>                 27: 10,7* ↗<br/>                 28: 10,2* ↘<br/>                 29: 10,2* ←</p> <p>Serie 91,8<br/>Totalt 0,0</p> | <p>60 shot</p>  | <p>1: 10,6* ←<br/>                 2: 10,3* →<br/>                 3: 10,0 ↑<br/>                 4: 10,1 ↓<br/>                 5: 10,2* ↑<br/>                 6: 9,9 ↗<br/>                 7: 9,6 ↘<br/>                 8: 10,3* ↘<br/>                 9: 10,1 ↑<br/>                 10: 10,2* ↑</p> <p>Serie 101,3<br/>Totalt 101,3</p> |
|------------------------------------------------------------------------------------------------|------------------------------------------------------------------------------------------------------------------------------------------------------------------------------------------------------------------------------------------------------------------------------------------------------------------------|----------------------------------------------------------------------------------------------------|-------------------------------------------------------------------------------------------------------------------------------------------------------------------------------------------------------------------------------------------------------------------------------------------------------------------------------------------------|

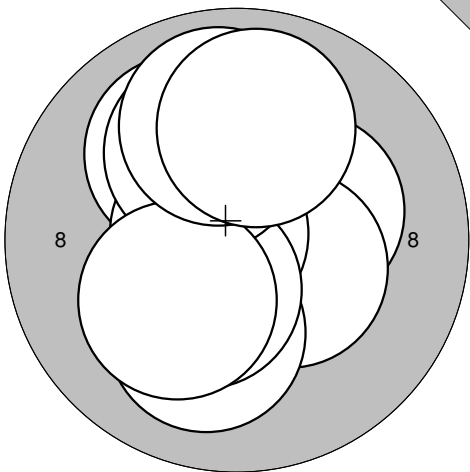
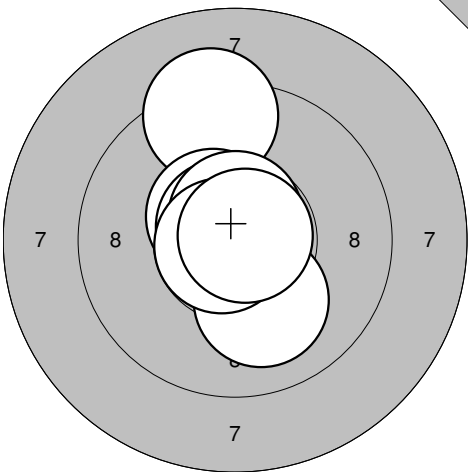
|                                                                                                   |                                                                                                                                                                                                                                                                                                                                                             |                                                                                                     |                                                                                                                                                                                                                                                                                                                                                           |
|---------------------------------------------------------------------------------------------------|-------------------------------------------------------------------------------------------------------------------------------------------------------------------------------------------------------------------------------------------------------------------------------------------------------------------------------------------------------------|-----------------------------------------------------------------------------------------------------|-----------------------------------------------------------------------------------------------------------------------------------------------------------------------------------------------------------------------------------------------------------------------------------------------------------------------------------------------------------|
| <p>60 shot</p>  | <p>11: 10,2* ↘<br/>                 12: 10,5* →<br/>                 13: 10,7* ↗<br/>                 14: 10,5* ←<br/>                 15: 10,8* →<br/>                 16: 9,0 ←<br/>                 17: 10,4* ↑<br/>                 18: 9,8 ↗<br/>                 19: 10,4* ↗<br/>                 20: 10,4* ↑</p> <p>Serie 102,7<br/>Totalt 204,0</p> | <p>60 shot</p>  | <p>21: 10,7* ↓<br/>                 22: 10,6* ↑<br/>                 23: 10,4* ←<br/>                 24: 9,7 ↗<br/>                 25: 9,7 ←<br/>                 26: 10,3* ↗<br/>                 27: 10,1 ↓<br/>                 28: 10,0 ↗<br/>                 29: 10,8* ↗<br/>                 30: 10,2* ←</p> <p>Serie 102,5<br/>Totalt 306,5</p> |
|---------------------------------------------------------------------------------------------------|-------------------------------------------------------------------------------------------------------------------------------------------------------------------------------------------------------------------------------------------------------------------------------------------------------------------------------------------------------------|-----------------------------------------------------------------------------------------------------|-----------------------------------------------------------------------------------------------------------------------------------------------------------------------------------------------------------------------------------------------------------------------------------------------------------------------------------------------------------|

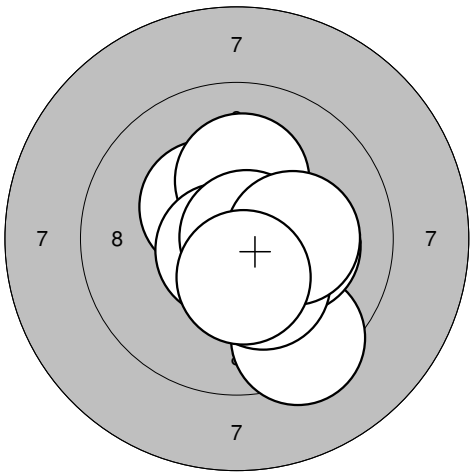
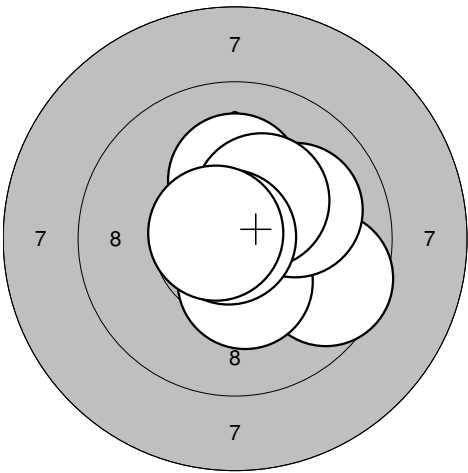
|                                                                                                   |                                                                                                                                                                                                                                                                                                                                                          |  |  |
|---------------------------------------------------------------------------------------------------|----------------------------------------------------------------------------------------------------------------------------------------------------------------------------------------------------------------------------------------------------------------------------------------------------------------------------------------------------------|--|--|
| <p>60 shot</p>  | <p>31: 10,3* ←<br/>                 32: 10,5* ↘<br/>                 33: 9,6 ←<br/>                 34: 9,8 ↘<br/>                 35: 10,2* ↗<br/>                 36: 10,5* ↑<br/>                 37: 10,6* ↗<br/>                 38: 10,1 ↓<br/>                 39: 10,3* ↘<br/>                 40: 9,9 ↑</p> <p>Serie 101,8<br/>Totalt 408,3</p> |  |  |
|---------------------------------------------------------------------------------------------------|----------------------------------------------------------------------------------------------------------------------------------------------------------------------------------------------------------------------------------------------------------------------------------------------------------------------------------------------------------|--|--|

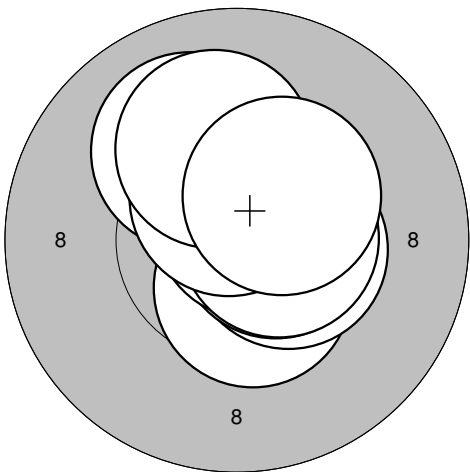
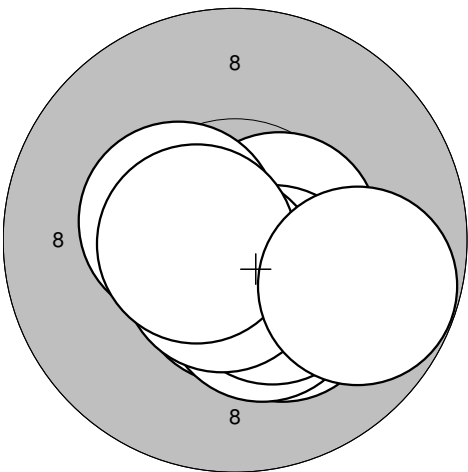
|                                                                                                                                       |                                                                                                       |
|---------------------------------------------------------------------------------------------------------------------------------------|-------------------------------------------------------------------------------------------------------|
| Sight<br>                                             | Sight<br>           |
| 1: 10,1 ↗<br>2: 9,6 ↑<br>3: 10,4* →<br>4: 10,3* ↑<br>5: 10,8* →<br>6: 10,6* →<br>7: 10,1 ↗<br>8: 10,6* ↑<br>9: 10,2* ↖<br>10: 10,5* ↘ | 11: 10,9* ←<br>12: 10,3* ↙<br>13: 10,7* ↑<br>14: 10,4* ←<br>15: 10,8* ↑<br>16: 10,5* ↘<br>17: 10,8* ↓ |
| Serie 103,2                                                                                                                           | Serie 74,4                                                                                            |
| Totalt 0,0                                                                                                                            | Totalt 0,0                                                                                            |

|                                                                                                                                           |                                                                                                                                                    |
|-------------------------------------------------------------------------------------------------------------------------------------------|----------------------------------------------------------------------------------------------------------------------------------------------------|
| 60 shot<br>                                              | 60 shot<br>                                                     |
| 1: 10,4* ←<br>2: 10,7* ↘<br>3: 10,7* →<br>4: 10,6* ↘<br>5: 10,5* ↑<br>6: 10,8* ↑<br>7: 10,6* ↑<br>8: 10,8* ↓<br>9: 10,7* ↗<br>10: 10,6* ↑ | 11: 10,6* ↖<br>12: 10,4* ↑<br>13: 10,8* ↗<br>14: 10,7* ↖<br>15: 10,8* ↘<br>16: 10,7* ↗<br>17: 10,6* ↑<br>18: 10,5* ←<br>19: 10,6* ↓<br>20: 10,2* ↑ |
| Serie 106,4                                                                                                                               | Serie 105,9                                                                                                                                        |
| Totalt 106,4                                                                                                                              | Totalt 212,3                                                                                                                                       |

|                                                                                                                                                    |                                                                                                                                                  |
|----------------------------------------------------------------------------------------------------------------------------------------------------|--------------------------------------------------------------------------------------------------------------------------------------------------|
| 60 shot<br>                                                      | 60 shot<br>                                                  |
| 21: 10,7* ↗<br>22: 10,6* ↘<br>23: 10,7* ↗<br>24: 10,5* ↑<br>25: 10,7* →<br>26: 10,7* ↑<br>27: 10,5* ↑<br>28: 10,7* ↗<br>29: 10,8* ↘<br>30: 10,6* ↘ | 31: 10,3* ↗<br>32: 10,3* →<br>33: 10,5* ↑<br>34: 10,6* ↗<br>35: 10,4* ↑<br>36: 10,1 ↖<br>37: 10,8* ←<br>38: 10,1 ←<br>39: 10,5* ↓<br>40: 10,5* ← |
| Serie 106,5                                                                                                                                        | Serie 104,1                                                                                                                                      |
| Totalt 318,8                                                                                                                                       | Totalt 422,9                                                                                                                                     |

|                                                                                                                                                                                                                                                                                                                                                                                                                                                                                                                                                                                                                                 |          |   |         |   |          |   |          |   |         |   |          |   |         |   |          |   |        |   |         |   |       |       |        |     |                                                                                                                                                                                                                                                                                                                                                                                                                                                                                                                             |         |   |           |   |           |   |           |   |          |   |           |   |           |   |       |      |        |     |
|---------------------------------------------------------------------------------------------------------------------------------------------------------------------------------------------------------------------------------------------------------------------------------------------------------------------------------------------------------------------------------------------------------------------------------------------------------------------------------------------------------------------------------------------------------------------------------------------------------------------------------|----------|---|---------|---|----------|---|----------|---|---------|---|----------|---|---------|---|----------|---|--------|---|---------|---|-------|-------|--------|-----|-----------------------------------------------------------------------------------------------------------------------------------------------------------------------------------------------------------------------------------------------------------------------------------------------------------------------------------------------------------------------------------------------------------------------------------------------------------------------------------------------------------------------------|---------|---|-----------|---|-----------|---|-----------|---|----------|---|-----------|---|-----------|---|-------|------|--------|-----|
| <p>Sight</p>  <table border="1" style="width:100%; border-collapse: collapse;"> <tr><td>1: 10,3*</td><td>↗</td></tr> <tr><td>2: 10,0</td><td>↖</td></tr> <tr><td>3: 10,4*</td><td>→</td></tr> <tr><td>4: 10,7*</td><td>←</td></tr> <tr><td>5: 10,1</td><td>↓</td></tr> <tr><td>6: 10,4*</td><td>↙</td></tr> <tr><td>7: 10,1</td><td>↑</td></tr> <tr><td>8: 10,2*</td><td>↘</td></tr> <tr><td>9: 9,9</td><td>↑</td></tr> <tr><td>10: 9,9</td><td>↑</td></tr> <tr><td>Serie</td><td>102,0</td></tr> <tr><td>Totalt</td><td>0,0</td></tr> </table> | 1: 10,3* | ↗ | 2: 10,0 | ↖ | 3: 10,4* | → | 4: 10,7* | ← | 5: 10,1 | ↓ | 6: 10,4* | ↙ | 7: 10,1 | ↑ | 8: 10,2* | ↘ | 9: 9,9 | ↑ | 10: 9,9 | ↑ | Serie | 102,0 | Totalt | 0,0 | <p>Sight</p>  <table border="1" style="width:100%; border-collapse: collapse;"> <tr><td>11: 9,3</td><td>↑</td></tr> <tr><td>12: 10,5*</td><td>↖</td></tr> <tr><td>13: 10,7*</td><td>↖</td></tr> <tr><td>14: 10,7*</td><td>↑</td></tr> <tr><td>15: 10,1</td><td>↓</td></tr> <tr><td>16: 10,8*</td><td>←</td></tr> <tr><td>17: 10,8*</td><td>→</td></tr> <tr><td>Serie</td><td>72,9</td></tr> <tr><td>Totalt</td><td>0,0</td></tr> </table> | 11: 9,3 | ↑ | 12: 10,5* | ↖ | 13: 10,7* | ↖ | 14: 10,7* | ↑ | 15: 10,1 | ↓ | 16: 10,8* | ← | 17: 10,8* | → | Serie | 72,9 | Totalt | 0,0 |
| 1: 10,3*                                                                                                                                                                                                                                                                                                                                                                                                                                                                                                                                                                                                                        | ↗        |   |         |   |          |   |          |   |         |   |          |   |         |   |          |   |        |   |         |   |       |       |        |     |                                                                                                                                                                                                                                                                                                                                                                                                                                                                                                                             |         |   |           |   |           |   |           |   |          |   |           |   |           |   |       |      |        |     |
| 2: 10,0                                                                                                                                                                                                                                                                                                                                                                                                                                                                                                                                                                                                                         | ↖        |   |         |   |          |   |          |   |         |   |          |   |         |   |          |   |        |   |         |   |       |       |        |     |                                                                                                                                                                                                                                                                                                                                                                                                                                                                                                                             |         |   |           |   |           |   |           |   |          |   |           |   |           |   |       |      |        |     |
| 3: 10,4*                                                                                                                                                                                                                                                                                                                                                                                                                                                                                                                                                                                                                        | →        |   |         |   |          |   |          |   |         |   |          |   |         |   |          |   |        |   |         |   |       |       |        |     |                                                                                                                                                                                                                                                                                                                                                                                                                                                                                                                             |         |   |           |   |           |   |           |   |          |   |           |   |           |   |       |      |        |     |
| 4: 10,7*                                                                                                                                                                                                                                                                                                                                                                                                                                                                                                                                                                                                                        | ←        |   |         |   |          |   |          |   |         |   |          |   |         |   |          |   |        |   |         |   |       |       |        |     |                                                                                                                                                                                                                                                                                                                                                                                                                                                                                                                             |         |   |           |   |           |   |           |   |          |   |           |   |           |   |       |      |        |     |
| 5: 10,1                                                                                                                                                                                                                                                                                                                                                                                                                                                                                                                                                                                                                         | ↓        |   |         |   |          |   |          |   |         |   |          |   |         |   |          |   |        |   |         |   |       |       |        |     |                                                                                                                                                                                                                                                                                                                                                                                                                                                                                                                             |         |   |           |   |           |   |           |   |          |   |           |   |           |   |       |      |        |     |
| 6: 10,4*                                                                                                                                                                                                                                                                                                                                                                                                                                                                                                                                                                                                                        | ↙        |   |         |   |          |   |          |   |         |   |          |   |         |   |          |   |        |   |         |   |       |       |        |     |                                                                                                                                                                                                                                                                                                                                                                                                                                                                                                                             |         |   |           |   |           |   |           |   |          |   |           |   |           |   |       |      |        |     |
| 7: 10,1                                                                                                                                                                                                                                                                                                                                                                                                                                                                                                                                                                                                                         | ↑        |   |         |   |          |   |          |   |         |   |          |   |         |   |          |   |        |   |         |   |       |       |        |     |                                                                                                                                                                                                                                                                                                                                                                                                                                                                                                                             |         |   |           |   |           |   |           |   |          |   |           |   |           |   |       |      |        |     |
| 8: 10,2*                                                                                                                                                                                                                                                                                                                                                                                                                                                                                                                                                                                                                        | ↘        |   |         |   |          |   |          |   |         |   |          |   |         |   |          |   |        |   |         |   |       |       |        |     |                                                                                                                                                                                                                                                                                                                                                                                                                                                                                                                             |         |   |           |   |           |   |           |   |          |   |           |   |           |   |       |      |        |     |
| 9: 9,9                                                                                                                                                                                                                                                                                                                                                                                                                                                                                                                                                                                                                          | ↑        |   |         |   |          |   |          |   |         |   |          |   |         |   |          |   |        |   |         |   |       |       |        |     |                                                                                                                                                                                                                                                                                                                                                                                                                                                                                                                             |         |   |           |   |           |   |           |   |          |   |           |   |           |   |       |      |        |     |
| 10: 9,9                                                                                                                                                                                                                                                                                                                                                                                                                                                                                                                                                                                                                         | ↑        |   |         |   |          |   |          |   |         |   |          |   |         |   |          |   |        |   |         |   |       |       |        |     |                                                                                                                                                                                                                                                                                                                                                                                                                                                                                                                             |         |   |           |   |           |   |           |   |          |   |           |   |           |   |       |      |        |     |
| Serie                                                                                                                                                                                                                                                                                                                                                                                                                                                                                                                                                                                                                           | 102,0    |   |         |   |          |   |          |   |         |   |          |   |         |   |          |   |        |   |         |   |       |       |        |     |                                                                                                                                                                                                                                                                                                                                                                                                                                                                                                                             |         |   |           |   |           |   |           |   |          |   |           |   |           |   |       |      |        |     |
| Totalt                                                                                                                                                                                                                                                                                                                                                                                                                                                                                                                                                                                                                          | 0,0      |   |         |   |          |   |          |   |         |   |          |   |         |   |          |   |        |   |         |   |       |       |        |     |                                                                                                                                                                                                                                                                                                                                                                                                                                                                                                                             |         |   |           |   |           |   |           |   |          |   |           |   |           |   |       |      |        |     |
| 11: 9,3                                                                                                                                                                                                                                                                                                                                                                                                                                                                                                                                                                                                                         | ↑        |   |         |   |          |   |          |   |         |   |          |   |         |   |          |   |        |   |         |   |       |       |        |     |                                                                                                                                                                                                                                                                                                                                                                                                                                                                                                                             |         |   |           |   |           |   |           |   |          |   |           |   |           |   |       |      |        |     |
| 12: 10,5*                                                                                                                                                                                                                                                                                                                                                                                                                                                                                                                                                                                                                       | ↖        |   |         |   |          |   |          |   |         |   |          |   |         |   |          |   |        |   |         |   |       |       |        |     |                                                                                                                                                                                                                                                                                                                                                                                                                                                                                                                             |         |   |           |   |           |   |           |   |          |   |           |   |           |   |       |      |        |     |
| 13: 10,7*                                                                                                                                                                                                                                                                                                                                                                                                                                                                                                                                                                                                                       | ↖        |   |         |   |          |   |          |   |         |   |          |   |         |   |          |   |        |   |         |   |       |       |        |     |                                                                                                                                                                                                                                                                                                                                                                                                                                                                                                                             |         |   |           |   |           |   |           |   |          |   |           |   |           |   |       |      |        |     |
| 14: 10,7*                                                                                                                                                                                                                                                                                                                                                                                                                                                                                                                                                                                                                       | ↑        |   |         |   |          |   |          |   |         |   |          |   |         |   |          |   |        |   |         |   |       |       |        |     |                                                                                                                                                                                                                                                                                                                                                                                                                                                                                                                             |         |   |           |   |           |   |           |   |          |   |           |   |           |   |       |      |        |     |
| 15: 10,1                                                                                                                                                                                                                                                                                                                                                                                                                                                                                                                                                                                                                        | ↓        |   |         |   |          |   |          |   |         |   |          |   |         |   |          |   |        |   |         |   |       |       |        |     |                                                                                                                                                                                                                                                                                                                                                                                                                                                                                                                             |         |   |           |   |           |   |           |   |          |   |           |   |           |   |       |      |        |     |
| 16: 10,8*                                                                                                                                                                                                                                                                                                                                                                                                                                                                                                                                                                                                                       | ←        |   |         |   |          |   |          |   |         |   |          |   |         |   |          |   |        |   |         |   |       |       |        |     |                                                                                                                                                                                                                                                                                                                                                                                                                                                                                                                             |         |   |           |   |           |   |           |   |          |   |           |   |           |   |       |      |        |     |
| 17: 10,8*                                                                                                                                                                                                                                                                                                                                                                                                                                                                                                                                                                                                                       | →        |   |         |   |          |   |          |   |         |   |          |   |         |   |          |   |        |   |         |   |       |       |        |     |                                                                                                                                                                                                                                                                                                                                                                                                                                                                                                                             |         |   |           |   |           |   |           |   |          |   |           |   |           |   |       |      |        |     |
| Serie                                                                                                                                                                                                                                                                                                                                                                                                                                                                                                                                                                                                                           | 72,9     |   |         |   |          |   |          |   |         |   |          |   |         |   |          |   |        |   |         |   |       |       |        |     |                                                                                                                                                                                                                                                                                                                                                                                                                                                                                                                             |         |   |           |   |           |   |           |   |          |   |           |   |           |   |       |      |        |     |
| Totalt                                                                                                                                                                                                                                                                                                                                                                                                                                                                                                                                                                                                                          | 0,0      |   |         |   |          |   |          |   |         |   |          |   |         |   |          |   |        |   |         |   |       |       |        |     |                                                                                                                                                                                                                                                                                                                                                                                                                                                                                                                             |         |   |           |   |           |   |           |   |          |   |           |   |           |   |       |      |        |     |

|                                                                                                                                                                                                                                                                                                                                                                                                                                                                                                                                                                                                                                           |          |   |          |   |        |   |          |   |          |   |          |   |          |   |          |   |          |   |           |   |       |       |        |       |                                                                                                                                                                                                                                                                                                                                                                                                                                                                                                                                                                                                                                                     |           |   |           |   |           |   |         |   |           |   |           |   |          |   |           |   |           |   |           |   |       |       |        |       |
|-------------------------------------------------------------------------------------------------------------------------------------------------------------------------------------------------------------------------------------------------------------------------------------------------------------------------------------------------------------------------------------------------------------------------------------------------------------------------------------------------------------------------------------------------------------------------------------------------------------------------------------------|----------|---|----------|---|--------|---|----------|---|----------|---|----------|---|----------|---|----------|---|----------|---|-----------|---|-------|-------|--------|-------|-----------------------------------------------------------------------------------------------------------------------------------------------------------------------------------------------------------------------------------------------------------------------------------------------------------------------------------------------------------------------------------------------------------------------------------------------------------------------------------------------------------------------------------------------------------------------------------------------------------------------------------------------------|-----------|---|-----------|---|-----------|---|---------|---|-----------|---|-----------|---|----------|---|-----------|---|-----------|---|-----------|---|-------|-------|--------|-------|
| <p>60 shot</p>  <table border="1" style="width:100%; border-collapse: collapse;"> <tr><td>1: 10,7*</td><td>↓</td></tr> <tr><td>2: 10,4*</td><td>↖</td></tr> <tr><td>3: 9,4</td><td>↓</td></tr> <tr><td>4: 10,2*</td><td>↑</td></tr> <tr><td>5: 10,2*</td><td>→</td></tr> <tr><td>6: 10,7*</td><td>↙</td></tr> <tr><td>7: 10,3*</td><td>↓</td></tr> <tr><td>8: 10,8*</td><td>→</td></tr> <tr><td>9: 10,2*</td><td>→</td></tr> <tr><td>10: 10,4*</td><td>↓</td></tr> <tr><td>Serie</td><td>103,3</td></tr> <tr><td>Totalt</td><td>103,3</td></tr> </table> | 1: 10,7* | ↓ | 2: 10,4* | ↖ | 3: 9,4 | ↓ | 4: 10,2* | ↑ | 5: 10,2* | → | 6: 10,7* | ↙ | 7: 10,3* | ↓ | 8: 10,8* | → | 9: 10,2* | → | 10: 10,4* | ↓ | Serie | 103,3 | Totalt | 103,3 | <p>60 shot</p>  <table border="1" style="width:100%; border-collapse: collapse;"> <tr><td>11: 10,4*</td><td>↗</td></tr> <tr><td>12: 10,7*</td><td>↑</td></tr> <tr><td>13: 10,7*</td><td>↗</td></tr> <tr><td>14: 9,6</td><td>→</td></tr> <tr><td>15: 10,4*</td><td>↓</td></tr> <tr><td>16: 10,2*</td><td>↑</td></tr> <tr><td>17: 10,1</td><td>↗</td></tr> <tr><td>18: 10,3*</td><td>↗</td></tr> <tr><td>19: 10,9*</td><td>←</td></tr> <tr><td>20: 10,7*</td><td>←</td></tr> <tr><td>Serie</td><td>104,0</td></tr> <tr><td>Totalt</td><td>207,3</td></tr> </table> | 11: 10,4* | ↗ | 12: 10,7* | ↑ | 13: 10,7* | ↗ | 14: 9,6 | → | 15: 10,4* | ↓ | 16: 10,2* | ↑ | 17: 10,1 | ↗ | 18: 10,3* | ↗ | 19: 10,9* | ← | 20: 10,7* | ← | Serie | 104,0 | Totalt | 207,3 |
| 1: 10,7*                                                                                                                                                                                                                                                                                                                                                                                                                                                                                                                                                                                                                                  | ↓        |   |          |   |        |   |          |   |          |   |          |   |          |   |          |   |          |   |           |   |       |       |        |       |                                                                                                                                                                                                                                                                                                                                                                                                                                                                                                                                                                                                                                                     |           |   |           |   |           |   |         |   |           |   |           |   |          |   |           |   |           |   |           |   |       |       |        |       |
| 2: 10,4*                                                                                                                                                                                                                                                                                                                                                                                                                                                                                                                                                                                                                                  | ↖        |   |          |   |        |   |          |   |          |   |          |   |          |   |          |   |          |   |           |   |       |       |        |       |                                                                                                                                                                                                                                                                                                                                                                                                                                                                                                                                                                                                                                                     |           |   |           |   |           |   |         |   |           |   |           |   |          |   |           |   |           |   |           |   |       |       |        |       |
| 3: 9,4                                                                                                                                                                                                                                                                                                                                                                                                                                                                                                                                                                                                                                    | ↓        |   |          |   |        |   |          |   |          |   |          |   |          |   |          |   |          |   |           |   |       |       |        |       |                                                                                                                                                                                                                                                                                                                                                                                                                                                                                                                                                                                                                                                     |           |   |           |   |           |   |         |   |           |   |           |   |          |   |           |   |           |   |           |   |       |       |        |       |
| 4: 10,2*                                                                                                                                                                                                                                                                                                                                                                                                                                                                                                                                                                                                                                  | ↑        |   |          |   |        |   |          |   |          |   |          |   |          |   |          |   |          |   |           |   |       |       |        |       |                                                                                                                                                                                                                                                                                                                                                                                                                                                                                                                                                                                                                                                     |           |   |           |   |           |   |         |   |           |   |           |   |          |   |           |   |           |   |           |   |       |       |        |       |
| 5: 10,2*                                                                                                                                                                                                                                                                                                                                                                                                                                                                                                                                                                                                                                  | →        |   |          |   |        |   |          |   |          |   |          |   |          |   |          |   |          |   |           |   |       |       |        |       |                                                                                                                                                                                                                                                                                                                                                                                                                                                                                                                                                                                                                                                     |           |   |           |   |           |   |         |   |           |   |           |   |          |   |           |   |           |   |           |   |       |       |        |       |
| 6: 10,7*                                                                                                                                                                                                                                                                                                                                                                                                                                                                                                                                                                                                                                  | ↙        |   |          |   |        |   |          |   |          |   |          |   |          |   |          |   |          |   |           |   |       |       |        |       |                                                                                                                                                                                                                                                                                                                                                                                                                                                                                                                                                                                                                                                     |           |   |           |   |           |   |         |   |           |   |           |   |          |   |           |   |           |   |           |   |       |       |        |       |
| 7: 10,3*                                                                                                                                                                                                                                                                                                                                                                                                                                                                                                                                                                                                                                  | ↓        |   |          |   |        |   |          |   |          |   |          |   |          |   |          |   |          |   |           |   |       |       |        |       |                                                                                                                                                                                                                                                                                                                                                                                                                                                                                                                                                                                                                                                     |           |   |           |   |           |   |         |   |           |   |           |   |          |   |           |   |           |   |           |   |       |       |        |       |
| 8: 10,8*                                                                                                                                                                                                                                                                                                                                                                                                                                                                                                                                                                                                                                  | →        |   |          |   |        |   |          |   |          |   |          |   |          |   |          |   |          |   |           |   |       |       |        |       |                                                                                                                                                                                                                                                                                                                                                                                                                                                                                                                                                                                                                                                     |           |   |           |   |           |   |         |   |           |   |           |   |          |   |           |   |           |   |           |   |       |       |        |       |
| 9: 10,2*                                                                                                                                                                                                                                                                                                                                                                                                                                                                                                                                                                                                                                  | →        |   |          |   |        |   |          |   |          |   |          |   |          |   |          |   |          |   |           |   |       |       |        |       |                                                                                                                                                                                                                                                                                                                                                                                                                                                                                                                                                                                                                                                     |           |   |           |   |           |   |         |   |           |   |           |   |          |   |           |   |           |   |           |   |       |       |        |       |
| 10: 10,4*                                                                                                                                                                                                                                                                                                                                                                                                                                                                                                                                                                                                                                 | ↓        |   |          |   |        |   |          |   |          |   |          |   |          |   |          |   |          |   |           |   |       |       |        |       |                                                                                                                                                                                                                                                                                                                                                                                                                                                                                                                                                                                                                                                     |           |   |           |   |           |   |         |   |           |   |           |   |          |   |           |   |           |   |           |   |       |       |        |       |
| Serie                                                                                                                                                                                                                                                                                                                                                                                                                                                                                                                                                                                                                                     | 103,3    |   |          |   |        |   |          |   |          |   |          |   |          |   |          |   |          |   |           |   |       |       |        |       |                                                                                                                                                                                                                                                                                                                                                                                                                                                                                                                                                                                                                                                     |           |   |           |   |           |   |         |   |           |   |           |   |          |   |           |   |           |   |           |   |       |       |        |       |
| Totalt                                                                                                                                                                                                                                                                                                                                                                                                                                                                                                                                                                                                                                    | 103,3    |   |          |   |        |   |          |   |          |   |          |   |          |   |          |   |          |   |           |   |       |       |        |       |                                                                                                                                                                                                                                                                                                                                                                                                                                                                                                                                                                                                                                                     |           |   |           |   |           |   |         |   |           |   |           |   |          |   |           |   |           |   |           |   |       |       |        |       |
| 11: 10,4*                                                                                                                                                                                                                                                                                                                                                                                                                                                                                                                                                                                                                                 | ↗        |   |          |   |        |   |          |   |          |   |          |   |          |   |          |   |          |   |           |   |       |       |        |       |                                                                                                                                                                                                                                                                                                                                                                                                                                                                                                                                                                                                                                                     |           |   |           |   |           |   |         |   |           |   |           |   |          |   |           |   |           |   |           |   |       |       |        |       |
| 12: 10,7*                                                                                                                                                                                                                                                                                                                                                                                                                                                                                                                                                                                                                                 | ↑        |   |          |   |        |   |          |   |          |   |          |   |          |   |          |   |          |   |           |   |       |       |        |       |                                                                                                                                                                                                                                                                                                                                                                                                                                                                                                                                                                                                                                                     |           |   |           |   |           |   |         |   |           |   |           |   |          |   |           |   |           |   |           |   |       |       |        |       |
| 13: 10,7*                                                                                                                                                                                                                                                                                                                                                                                                                                                                                                                                                                                                                                 | ↗        |   |          |   |        |   |          |   |          |   |          |   |          |   |          |   |          |   |           |   |       |       |        |       |                                                                                                                                                                                                                                                                                                                                                                                                                                                                                                                                                                                                                                                     |           |   |           |   |           |   |         |   |           |   |           |   |          |   |           |   |           |   |           |   |       |       |        |       |
| 14: 9,6                                                                                                                                                                                                                                                                                                                                                                                                                                                                                                                                                                                                                                   | →        |   |          |   |        |   |          |   |          |   |          |   |          |   |          |   |          |   |           |   |       |       |        |       |                                                                                                                                                                                                                                                                                                                                                                                                                                                                                                                                                                                                                                                     |           |   |           |   |           |   |         |   |           |   |           |   |          |   |           |   |           |   |           |   |       |       |        |       |
| 15: 10,4*                                                                                                                                                                                                                                                                                                                                                                                                                                                                                                                                                                                                                                 | ↓        |   |          |   |        |   |          |   |          |   |          |   |          |   |          |   |          |   |           |   |       |       |        |       |                                                                                                                                                                                                                                                                                                                                                                                                                                                                                                                                                                                                                                                     |           |   |           |   |           |   |         |   |           |   |           |   |          |   |           |   |           |   |           |   |       |       |        |       |
| 16: 10,2*                                                                                                                                                                                                                                                                                                                                                                                                                                                                                                                                                                                                                                 | ↑        |   |          |   |        |   |          |   |          |   |          |   |          |   |          |   |          |   |           |   |       |       |        |       |                                                                                                                                                                                                                                                                                                                                                                                                                                                                                                                                                                                                                                                     |           |   |           |   |           |   |         |   |           |   |           |   |          |   |           |   |           |   |           |   |       |       |        |       |
| 17: 10,1                                                                                                                                                                                                                                                                                                                                                                                                                                                                                                                                                                                                                                  | ↗        |   |          |   |        |   |          |   |          |   |          |   |          |   |          |   |          |   |           |   |       |       |        |       |                                                                                                                                                                                                                                                                                                                                                                                                                                                                                                                                                                                                                                                     |           |   |           |   |           |   |         |   |           |   |           |   |          |   |           |   |           |   |           |   |       |       |        |       |
| 18: 10,3*                                                                                                                                                                                                                                                                                                                                                                                                                                                                                                                                                                                                                                 | ↗        |   |          |   |        |   |          |   |          |   |          |   |          |   |          |   |          |   |           |   |       |       |        |       |                                                                                                                                                                                                                                                                                                                                                                                                                                                                                                                                                                                                                                                     |           |   |           |   |           |   |         |   |           |   |           |   |          |   |           |   |           |   |           |   |       |       |        |       |
| 19: 10,9*                                                                                                                                                                                                                                                                                                                                                                                                                                                                                                                                                                                                                                 | ←        |   |          |   |        |   |          |   |          |   |          |   |          |   |          |   |          |   |           |   |       |       |        |       |                                                                                                                                                                                                                                                                                                                                                                                                                                                                                                                                                                                                                                                     |           |   |           |   |           |   |         |   |           |   |           |   |          |   |           |   |           |   |           |   |       |       |        |       |
| 20: 10,7*                                                                                                                                                                                                                                                                                                                                                                                                                                                                                                                                                                                                                                 | ←        |   |          |   |        |   |          |   |          |   |          |   |          |   |          |   |          |   |           |   |       |       |        |       |                                                                                                                                                                                                                                                                                                                                                                                                                                                                                                                                                                                                                                                     |           |   |           |   |           |   |         |   |           |   |           |   |          |   |           |   |           |   |           |   |       |       |        |       |
| Serie                                                                                                                                                                                                                                                                                                                                                                                                                                                                                                                                                                                                                                     | 104,0    |   |          |   |        |   |          |   |          |   |          |   |          |   |          |   |          |   |           |   |       |       |        |       |                                                                                                                                                                                                                                                                                                                                                                                                                                                                                                                                                                                                                                                     |           |   |           |   |           |   |         |   |           |   |           |   |          |   |           |   |           |   |           |   |       |       |        |       |
| Totalt                                                                                                                                                                                                                                                                                                                                                                                                                                                                                                                                                                                                                                    | 207,3    |   |          |   |        |   |          |   |          |   |          |   |          |   |          |   |          |   |           |   |       |       |        |       |                                                                                                                                                                                                                                                                                                                                                                                                                                                                                                                                                                                                                                                     |           |   |           |   |           |   |         |   |           |   |           |   |          |   |           |   |           |   |           |   |       |       |        |       |

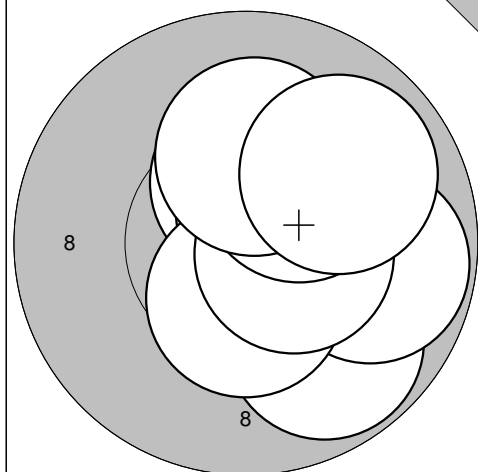
|                                                                                                                                                                                                                                                                                                                                                                                                                                                                                                                                                                                                                                                     |          |   |           |   |           |   |           |   |           |   |           |   |           |   |           |   |          |   |           |   |       |       |        |       |                                                                                                                                                                                                                                                                                                                                                                                                                                                                                                                                                                                                                                                       |           |   |           |   |           |   |           |   |           |   |           |   |           |   |           |   |           |   |         |   |       |       |        |       |
|-----------------------------------------------------------------------------------------------------------------------------------------------------------------------------------------------------------------------------------------------------------------------------------------------------------------------------------------------------------------------------------------------------------------------------------------------------------------------------------------------------------------------------------------------------------------------------------------------------------------------------------------------------|----------|---|-----------|---|-----------|---|-----------|---|-----------|---|-----------|---|-----------|---|-----------|---|----------|---|-----------|---|-------|-------|--------|-------|-------------------------------------------------------------------------------------------------------------------------------------------------------------------------------------------------------------------------------------------------------------------------------------------------------------------------------------------------------------------------------------------------------------------------------------------------------------------------------------------------------------------------------------------------------------------------------------------------------------------------------------------------------|-----------|---|-----------|---|-----------|---|-----------|---|-----------|---|-----------|---|-----------|---|-----------|---|-----------|---|---------|---|-------|-------|--------|-------|
| <p>60 shot</p>  <table border="1" style="width:100%; border-collapse: collapse;"> <tr><td>21: 10,0</td><td>↖</td></tr> <tr><td>22: 10,5*</td><td>↓</td></tr> <tr><td>23: 10,5*</td><td>→</td></tr> <tr><td>24: 10,6*</td><td>→</td></tr> <tr><td>25: 10,7*</td><td>↗</td></tr> <tr><td>26: 10,6*</td><td>→</td></tr> <tr><td>27: 10,4*</td><td>↑</td></tr> <tr><td>28: 10,6*</td><td>↑</td></tr> <tr><td>29: 10,1</td><td>↑</td></tr> <tr><td>30: 10,4*</td><td>↗</td></tr> <tr><td>Serie</td><td>104,4</td></tr> <tr><td>Totalt</td><td>311,7</td></tr> </table> | 21: 10,0 | ↖ | 22: 10,5* | ↓ | 23: 10,5* | → | 24: 10,6* | → | 25: 10,7* | ↗ | 26: 10,6* | → | 27: 10,4* | ↑ | 28: 10,6* | ↑ | 29: 10,1 | ↑ | 30: 10,4* | ↗ | Serie | 104,4 | Totalt | 311,7 | <p>60 shot</p>  <table border="1" style="width:100%; border-collapse: collapse;"> <tr><td>31: 10,5*</td><td>↓</td></tr> <tr><td>32: 10,6*</td><td>↘</td></tr> <tr><td>33: 10,5*</td><td>→</td></tr> <tr><td>34: 10,2*</td><td>↘</td></tr> <tr><td>35: 10,4*</td><td>←</td></tr> <tr><td>36: 10,3*</td><td>↓</td></tr> <tr><td>37: 10,4*</td><td>↘</td></tr> <tr><td>38: 10,6*</td><td>↓</td></tr> <tr><td>39: 10,6*</td><td>←</td></tr> <tr><td>40: 9,8</td><td>→</td></tr> <tr><td>Serie</td><td>103,9</td></tr> <tr><td>Totalt</td><td>415,6</td></tr> </table> | 31: 10,5* | ↓ | 32: 10,6* | ↘ | 33: 10,5* | → | 34: 10,2* | ↘ | 35: 10,4* | ← | 36: 10,3* | ↓ | 37: 10,4* | ↘ | 38: 10,6* | ↓ | 39: 10,6* | ← | 40: 9,8 | → | Serie | 103,9 | Totalt | 415,6 |
| 21: 10,0                                                                                                                                                                                                                                                                                                                                                                                                                                                                                                                                                                                                                                            | ↖        |   |           |   |           |   |           |   |           |   |           |   |           |   |           |   |          |   |           |   |       |       |        |       |                                                                                                                                                                                                                                                                                                                                                                                                                                                                                                                                                                                                                                                       |           |   |           |   |           |   |           |   |           |   |           |   |           |   |           |   |           |   |         |   |       |       |        |       |
| 22: 10,5*                                                                                                                                                                                                                                                                                                                                                                                                                                                                                                                                                                                                                                           | ↓        |   |           |   |           |   |           |   |           |   |           |   |           |   |           |   |          |   |           |   |       |       |        |       |                                                                                                                                                                                                                                                                                                                                                                                                                                                                                                                                                                                                                                                       |           |   |           |   |           |   |           |   |           |   |           |   |           |   |           |   |           |   |         |   |       |       |        |       |
| 23: 10,5*                                                                                                                                                                                                                                                                                                                                                                                                                                                                                                                                                                                                                                           | →        |   |           |   |           |   |           |   |           |   |           |   |           |   |           |   |          |   |           |   |       |       |        |       |                                                                                                                                                                                                                                                                                                                                                                                                                                                                                                                                                                                                                                                       |           |   |           |   |           |   |           |   |           |   |           |   |           |   |           |   |           |   |         |   |       |       |        |       |
| 24: 10,6*                                                                                                                                                                                                                                                                                                                                                                                                                                                                                                                                                                                                                                           | →        |   |           |   |           |   |           |   |           |   |           |   |           |   |           |   |          |   |           |   |       |       |        |       |                                                                                                                                                                                                                                                                                                                                                                                                                                                                                                                                                                                                                                                       |           |   |           |   |           |   |           |   |           |   |           |   |           |   |           |   |           |   |         |   |       |       |        |       |
| 25: 10,7*                                                                                                                                                                                                                                                                                                                                                                                                                                                                                                                                                                                                                                           | ↗        |   |           |   |           |   |           |   |           |   |           |   |           |   |           |   |          |   |           |   |       |       |        |       |                                                                                                                                                                                                                                                                                                                                                                                                                                                                                                                                                                                                                                                       |           |   |           |   |           |   |           |   |           |   |           |   |           |   |           |   |           |   |         |   |       |       |        |       |
| 26: 10,6*                                                                                                                                                                                                                                                                                                                                                                                                                                                                                                                                                                                                                                           | →        |   |           |   |           |   |           |   |           |   |           |   |           |   |           |   |          |   |           |   |       |       |        |       |                                                                                                                                                                                                                                                                                                                                                                                                                                                                                                                                                                                                                                                       |           |   |           |   |           |   |           |   |           |   |           |   |           |   |           |   |           |   |         |   |       |       |        |       |
| 27: 10,4*                                                                                                                                                                                                                                                                                                                                                                                                                                                                                                                                                                                                                                           | ↑        |   |           |   |           |   |           |   |           |   |           |   |           |   |           |   |          |   |           |   |       |       |        |       |                                                                                                                                                                                                                                                                                                                                                                                                                                                                                                                                                                                                                                                       |           |   |           |   |           |   |           |   |           |   |           |   |           |   |           |   |           |   |         |   |       |       |        |       |
| 28: 10,6*                                                                                                                                                                                                                                                                                                                                                                                                                                                                                                                                                                                                                                           | ↑        |   |           |   |           |   |           |   |           |   |           |   |           |   |           |   |          |   |           |   |       |       |        |       |                                                                                                                                                                                                                                                                                                                                                                                                                                                                                                                                                                                                                                                       |           |   |           |   |           |   |           |   |           |   |           |   |           |   |           |   |           |   |         |   |       |       |        |       |
| 29: 10,1                                                                                                                                                                                                                                                                                                                                                                                                                                                                                                                                                                                                                                            | ↑        |   |           |   |           |   |           |   |           |   |           |   |           |   |           |   |          |   |           |   |       |       |        |       |                                                                                                                                                                                                                                                                                                                                                                                                                                                                                                                                                                                                                                                       |           |   |           |   |           |   |           |   |           |   |           |   |           |   |           |   |           |   |         |   |       |       |        |       |
| 30: 10,4*                                                                                                                                                                                                                                                                                                                                                                                                                                                                                                                                                                                                                                           | ↗        |   |           |   |           |   |           |   |           |   |           |   |           |   |           |   |          |   |           |   |       |       |        |       |                                                                                                                                                                                                                                                                                                                                                                                                                                                                                                                                                                                                                                                       |           |   |           |   |           |   |           |   |           |   |           |   |           |   |           |   |           |   |         |   |       |       |        |       |
| Serie                                                                                                                                                                                                                                                                                                                                                                                                                                                                                                                                                                                                                                               | 104,4    |   |           |   |           |   |           |   |           |   |           |   |           |   |           |   |          |   |           |   |       |       |        |       |                                                                                                                                                                                                                                                                                                                                                                                                                                                                                                                                                                                                                                                       |           |   |           |   |           |   |           |   |           |   |           |   |           |   |           |   |           |   |         |   |       |       |        |       |
| Totalt                                                                                                                                                                                                                                                                                                                                                                                                                                                                                                                                                                                                                                              | 311,7    |   |           |   |           |   |           |   |           |   |           |   |           |   |           |   |          |   |           |   |       |       |        |       |                                                                                                                                                                                                                                                                                                                                                                                                                                                                                                                                                                                                                                                       |           |   |           |   |           |   |           |   |           |   |           |   |           |   |           |   |           |   |         |   |       |       |        |       |
| 31: 10,5*                                                                                                                                                                                                                                                                                                                                                                                                                                                                                                                                                                                                                                           | ↓        |   |           |   |           |   |           |   |           |   |           |   |           |   |           |   |          |   |           |   |       |       |        |       |                                                                                                                                                                                                                                                                                                                                                                                                                                                                                                                                                                                                                                                       |           |   |           |   |           |   |           |   |           |   |           |   |           |   |           |   |           |   |         |   |       |       |        |       |
| 32: 10,6*                                                                                                                                                                                                                                                                                                                                                                                                                                                                                                                                                                                                                                           | ↘        |   |           |   |           |   |           |   |           |   |           |   |           |   |           |   |          |   |           |   |       |       |        |       |                                                                                                                                                                                                                                                                                                                                                                                                                                                                                                                                                                                                                                                       |           |   |           |   |           |   |           |   |           |   |           |   |           |   |           |   |           |   |         |   |       |       |        |       |
| 33: 10,5*                                                                                                                                                                                                                                                                                                                                                                                                                                                                                                                                                                                                                                           | →        |   |           |   |           |   |           |   |           |   |           |   |           |   |           |   |          |   |           |   |       |       |        |       |                                                                                                                                                                                                                                                                                                                                                                                                                                                                                                                                                                                                                                                       |           |   |           |   |           |   |           |   |           |   |           |   |           |   |           |   |           |   |         |   |       |       |        |       |
| 34: 10,2*                                                                                                                                                                                                                                                                                                                                                                                                                                                                                                                                                                                                                                           | ↘        |   |           |   |           |   |           |   |           |   |           |   |           |   |           |   |          |   |           |   |       |       |        |       |                                                                                                                                                                                                                                                                                                                                                                                                                                                                                                                                                                                                                                                       |           |   |           |   |           |   |           |   |           |   |           |   |           |   |           |   |           |   |         |   |       |       |        |       |
| 35: 10,4*                                                                                                                                                                                                                                                                                                                                                                                                                                                                                                                                                                                                                                           | ←        |   |           |   |           |   |           |   |           |   |           |   |           |   |           |   |          |   |           |   |       |       |        |       |                                                                                                                                                                                                                                                                                                                                                                                                                                                                                                                                                                                                                                                       |           |   |           |   |           |   |           |   |           |   |           |   |           |   |           |   |           |   |         |   |       |       |        |       |
| 36: 10,3*                                                                                                                                                                                                                                                                                                                                                                                                                                                                                                                                                                                                                                           | ↓        |   |           |   |           |   |           |   |           |   |           |   |           |   |           |   |          |   |           |   |       |       |        |       |                                                                                                                                                                                                                                                                                                                                                                                                                                                                                                                                                                                                                                                       |           |   |           |   |           |   |           |   |           |   |           |   |           |   |           |   |           |   |         |   |       |       |        |       |
| 37: 10,4*                                                                                                                                                                                                                                                                                                                                                                                                                                                                                                                                                                                                                                           | ↘        |   |           |   |           |   |           |   |           |   |           |   |           |   |           |   |          |   |           |   |       |       |        |       |                                                                                                                                                                                                                                                                                                                                                                                                                                                                                                                                                                                                                                                       |           |   |           |   |           |   |           |   |           |   |           |   |           |   |           |   |           |   |         |   |       |       |        |       |
| 38: 10,6*                                                                                                                                                                                                                                                                                                                                                                                                                                                                                                                                                                                                                                           | ↓        |   |           |   |           |   |           |   |           |   |           |   |           |   |           |   |          |   |           |   |       |       |        |       |                                                                                                                                                                                                                                                                                                                                                                                                                                                                                                                                                                                                                                                       |           |   |           |   |           |   |           |   |           |   |           |   |           |   |           |   |           |   |         |   |       |       |        |       |
| 39: 10,6*                                                                                                                                                                                                                                                                                                                                                                                                                                                                                                                                                                                                                                           | ←        |   |           |   |           |   |           |   |           |   |           |   |           |   |           |   |          |   |           |   |       |       |        |       |                                                                                                                                                                                                                                                                                                                                                                                                                                                                                                                                                                                                                                                       |           |   |           |   |           |   |           |   |           |   |           |   |           |   |           |   |           |   |         |   |       |       |        |       |
| 40: 9,8                                                                                                                                                                                                                                                                                                                                                                                                                                                                                                                                                                                                                                             | →        |   |           |   |           |   |           |   |           |   |           |   |           |   |           |   |          |   |           |   |       |       |        |       |                                                                                                                                                                                                                                                                                                                                                                                                                                                                                                                                                                                                                                                       |           |   |           |   |           |   |           |   |           |   |           |   |           |   |           |   |           |   |         |   |       |       |        |       |
| Serie                                                                                                                                                                                                                                                                                                                                                                                                                                                                                                                                                                                                                                               | 103,9    |   |           |   |           |   |           |   |           |   |           |   |           |   |           |   |          |   |           |   |       |       |        |       |                                                                                                                                                                                                                                                                                                                                                                                                                                                                                                                                                                                                                                                       |           |   |           |   |           |   |           |   |           |   |           |   |           |   |           |   |           |   |         |   |       |       |        |       |
| Totalt                                                                                                                                                                                                                                                                                                                                                                                                                                                                                                                                                                                                                                              | 415,6    |   |           |   |           |   |           |   |           |   |           |   |           |   |           |   |          |   |           |   |       |       |        |       |                                                                                                                                                                                                                                                                                                                                                                                                                                                                                                                                                                                                                                                       |           |   |           |   |           |   |           |   |           |   |           |   |           |   |           |   |           |   |         |   |       |       |        |       |

2013-04-20

UME-Kulan 2013

Umeå skytteallians

Sight

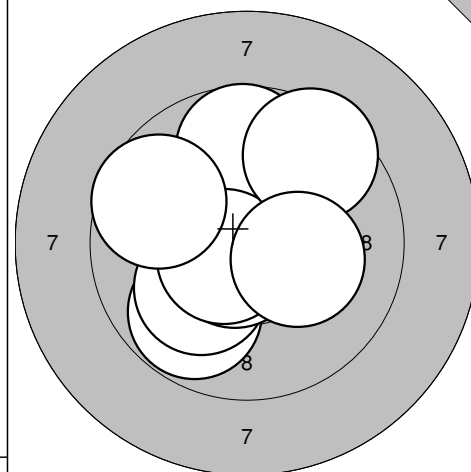


1: 10,0 ↗  
 2: 10,4\* ↑  
 3: 9,8 ↘  
 4: 9,8 →  
 5: 10,5\* ↗  
 6: 10,5\* ↓  
 7: 10,5\* →  
 8: 10,2\* ↗  
 9: 10,2\* ↑  
 10: 9,9 ↗

Serie 101,8

Totalt 0,0

Sight

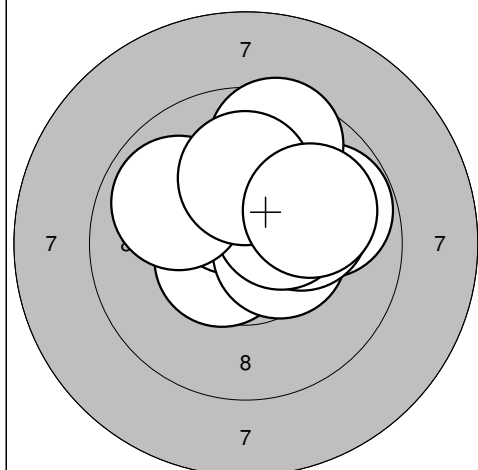


11: 10,3\* ↑  
 12: 10,3\* ↘  
 13: 9,8 ↘  
 14: 10,1 ↘  
 15: 10,7\* ↘  
 16: 9,7 ↑  
 17: 10,6\* ↙  
 18: 9,5 ↗  
 19: 9,7 ↙  
 20: 10,2\* →

Serie 100,9

Totalt 0,0

60 shot

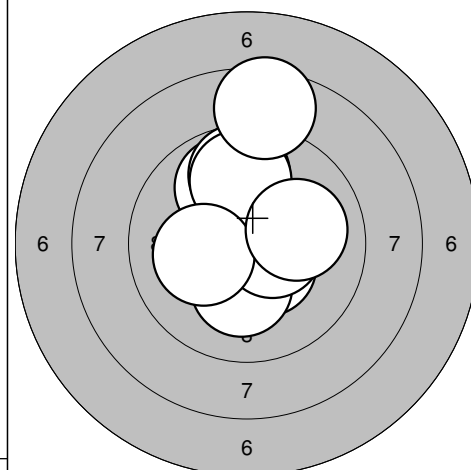


1: 10,6\* ↙  
 2: 9,8 →  
 3: 10,4\* ↑  
 4: 10,5\* →  
 5: 9,6 ↑  
 6: 10,2\* →  
 7: 10,4\* ↗  
 8: 9,9 ↙  
 9: 10,1 ↑  
 10: 10,0 ↗

Serie 101,5

Totalt 101,5

60 shot

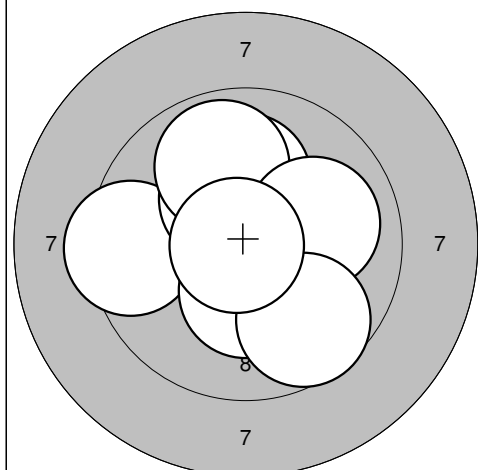


11: 10,4\* ↘  
 12: 10,5\* →  
 13: 9,9 ↑  
 14: 9,7 ↑  
 15: 10,2\* ↓  
 16: 10,5\* →  
 17: 9,8 ↑  
 18: 10,2\* ←  
 19: 8,5 ↑  
 20: 10,0 →

Serie 99,7

Totalt 201,2

60 shot

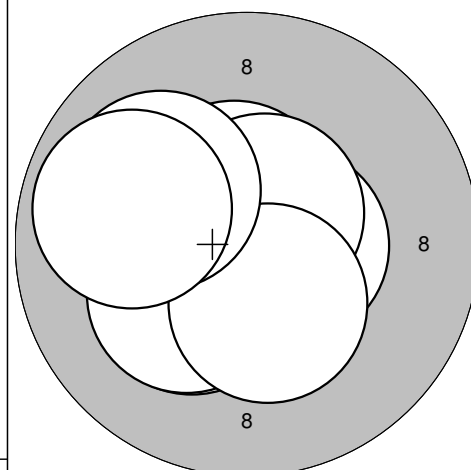


21: 9,4 ←  
 22: 10,4\* ↓  
 23: 10,6\* ↑  
 24: 10,1 ↑  
 25: 10,3\* ↗  
 26: 9,9 ↑  
 27: 10,0 →  
 28: 10,3\* ↓  
 29: 9,7 ↘  
 30: 10,8\* ←

Serie 101,5

Totalt 302,7

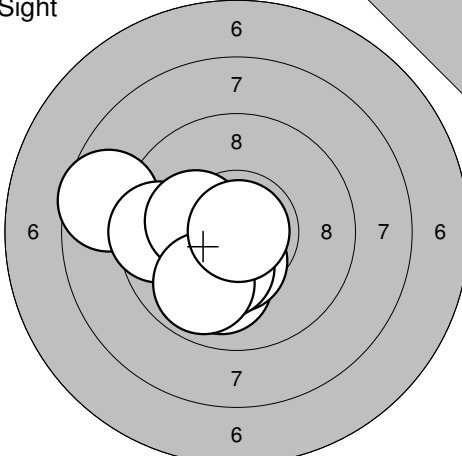
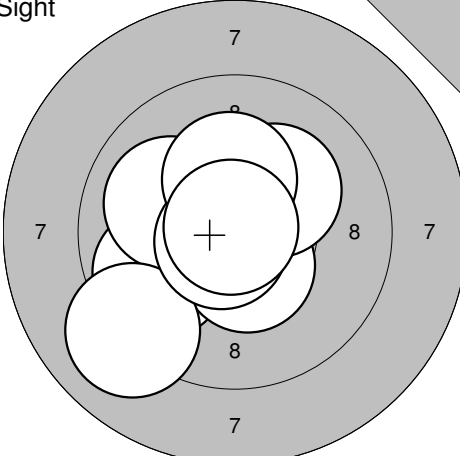
60 shot

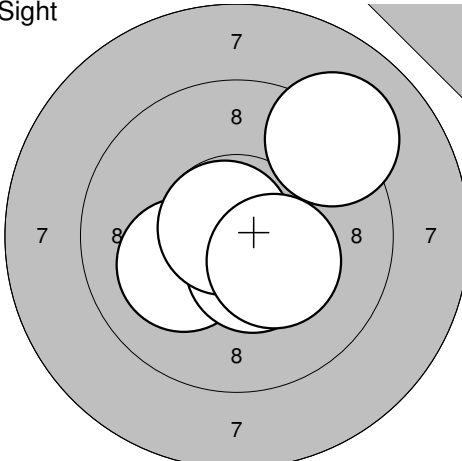
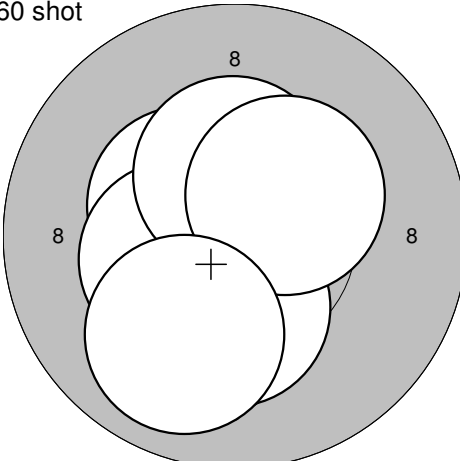


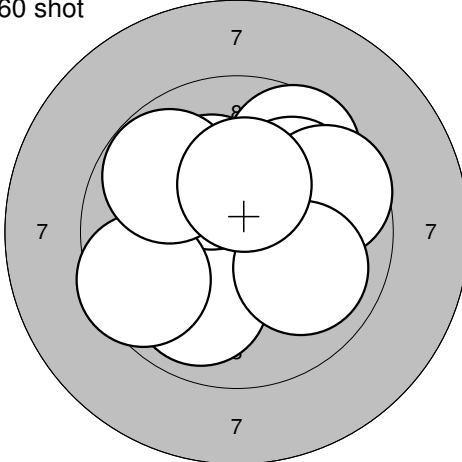
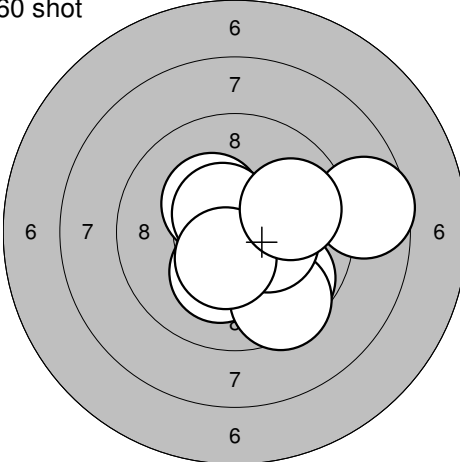
31: 10,5\* ↑  
 32: 9,9 ↙  
 33: 10,3\* ↘  
 34: 10,6\* ↓  
 35: 10,6\* →  
 36: 10,6\* ↗  
 37: 10,2\* ↙  
 38: 10,4\* ↓  
 39: 10,0 ↙  
 40: 9,9 ↙

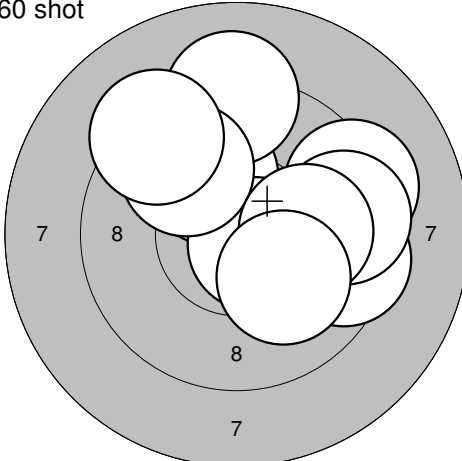
Serie 103,0

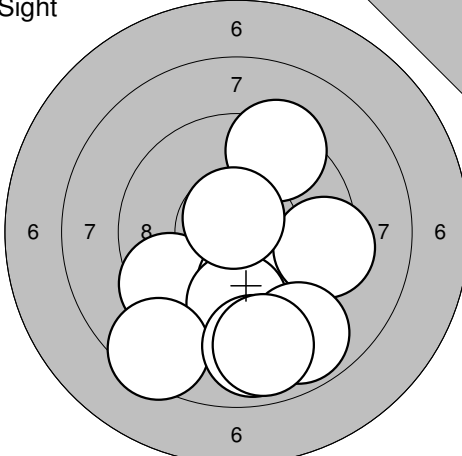
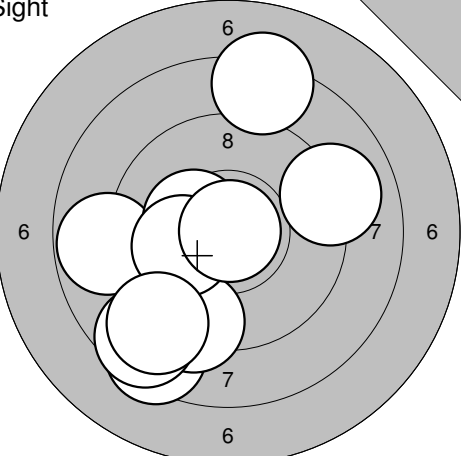
Totalt 405,7

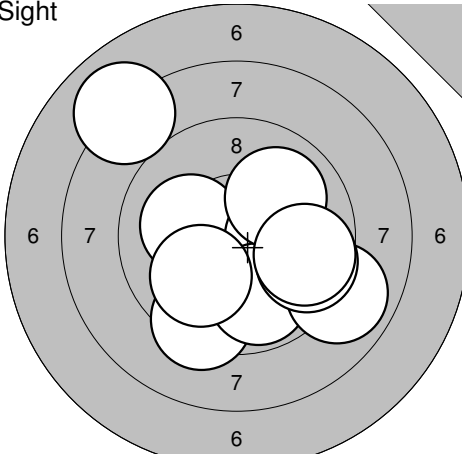
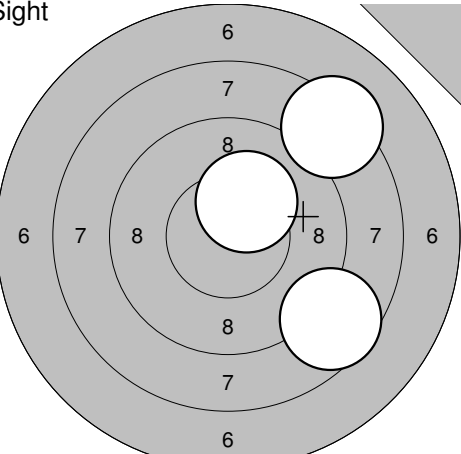
|                                                                                           |                                                                                                                                                                       |                                                                                             |                                                                                                                                                                                  |
|-------------------------------------------------------------------------------------------|-----------------------------------------------------------------------------------------------------------------------------------------------------------------------|---------------------------------------------------------------------------------------------|----------------------------------------------------------------------------------------------------------------------------------------------------------------------------------|
| Sight<br> | 1: 10,0 ↓<br>2: 10,4* ↓<br>3: 8,6 ←<br>4: 9,6 ←<br>5: 10,5* ↓<br>6: 10,3* ↓<br>7: 10,6* ←<br>8: 10,2* ←<br>9: 9,9 ↓<br>10: 10,9* →<br><hr/> Serie 101,0<br>Totalt 0,0 | Sight<br> | 11: 9,8 ←<br>12: 10,5* ↓<br>13: 10,6* ↗<br>14: 10,5* ←<br>15: 10,0 ↗<br>16: 9,1 ↓<br>17: 10,2* ↗<br>18: 10,7* ↓<br>19: 10,2* ↑<br>20: 10,9* ↗<br><hr/> Serie 102,5<br>Totalt 0,0 |
|-------------------------------------------------------------------------------------------|-----------------------------------------------------------------------------------------------------------------------------------------------------------------------|---------------------------------------------------------------------------------------------|----------------------------------------------------------------------------------------------------------------------------------------------------------------------------------|

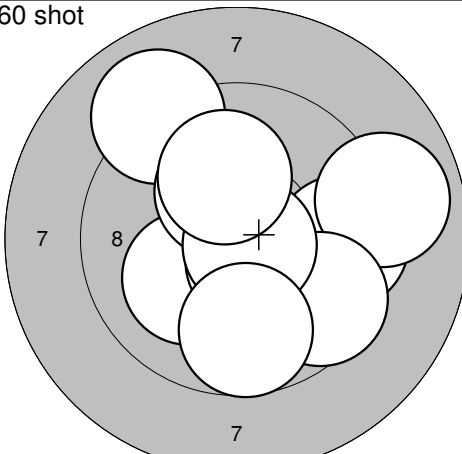
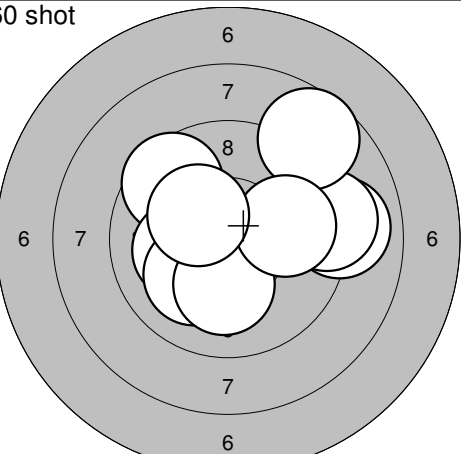
|                                                                                            |                                                                                                         |                                                                                                |                                                                                                                                                                            |
|--------------------------------------------------------------------------------------------|---------------------------------------------------------------------------------------------------------|------------------------------------------------------------------------------------------------|----------------------------------------------------------------------------------------------------------------------------------------------------------------------------|
| Sight<br> | 21: 10,2* ←<br>22: 9,1 ↗<br>23: 10,5* ↓<br>24: 10,8* ↗<br>25: 10,3* ↓<br><hr/> Serie 50,9<br>Totalt 0,0 | 60 shot<br> | 1: 10,3* ↓<br>2: 10,1 ↓<br>3: 10,7* ↗<br>4: 10,1 ↓<br>5: 10,3* ↓<br>6: 10,4* ↗<br>7: 10,4* ←<br>8: 10,4* ↑<br>9: 10,4* ↗<br>10: 9,9 ↓<br><hr/> Serie 103,0<br>Totalt 103,0 |
|--------------------------------------------------------------------------------------------|---------------------------------------------------------------------------------------------------------|------------------------------------------------------------------------------------------------|----------------------------------------------------------------------------------------------------------------------------------------------------------------------------|

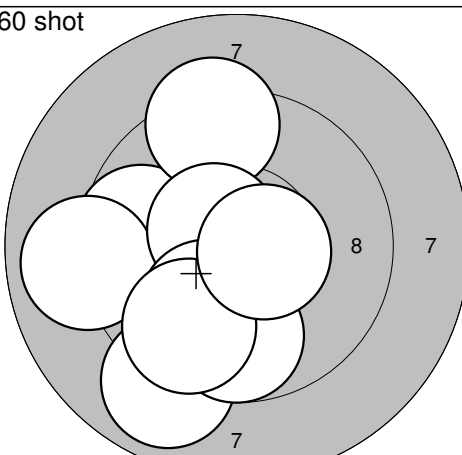
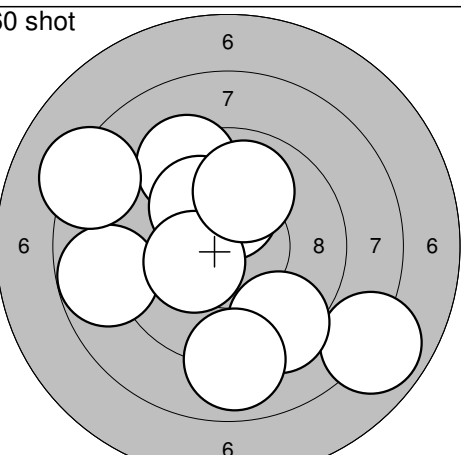
|                                                                                               |                                                                                                                                                                            |                                                                                                 |                                                                                                                                                                                 |
|-----------------------------------------------------------------------------------------------|----------------------------------------------------------------------------------------------------------------------------------------------------------------------------|-------------------------------------------------------------------------------------------------|---------------------------------------------------------------------------------------------------------------------------------------------------------------------------------|
| 60 shot<br> | 11: 9,6 ↗<br>12: 10,0 ↗<br>13: 10,7* →<br>14: 9,9 ↓<br>15: 9,7 →<br>16: 10,2* ↗<br>17: 10,0 ↓<br>18: 9,6 ←<br>19: 9,8 ↗<br>20: 10,3* ↑<br><hr/> Serie 99,8<br>Totalt 202,8 | 60 shot<br> | 21: 10,8* →<br>22: 9,7 ↓<br>23: 10,2* ↓<br>24: 9,5 ↓<br>25: 10,3* →<br>26: 10,3* ↗<br>27: 8,6 →<br>28: 10,6* ↗<br>29: 10,5* ↓<br>30: 9,9 →<br><hr/> Serie 100,4<br>Totalt 303,2 |
|-----------------------------------------------------------------------------------------------|----------------------------------------------------------------------------------------------------------------------------------------------------------------------------|-------------------------------------------------------------------------------------------------|---------------------------------------------------------------------------------------------------------------------------------------------------------------------------------|

|                                                                                               |                                                                                                                                                                         |  |  |
|-----------------------------------------------------------------------------------------------|-------------------------------------------------------------------------------------------------------------------------------------------------------------------------|--|--|
| 60 shot<br> | 31: 9,5 →<br>32: 9,3 →<br>33: 9,5 →<br>34: 10,1 ↗<br>35: 10,7* ↓<br>36: 9,1 ↑<br>37: 9,9 ↗<br>38: 9,3 ↗<br>39: 10,0 →<br>40: 10,1 ↓<br><hr/> Serie 97,5<br>Totalt 400,7 |  |  |
|-----------------------------------------------------------------------------------------------|-------------------------------------------------------------------------------------------------------------------------------------------------------------------------|--|--|

|                                                                                  |                                                                                                                          |  |                                                                                                                                     |
|----------------------------------------------------------------------------------|--------------------------------------------------------------------------------------------------------------------------|--|-------------------------------------------------------------------------------------------------------------------------------------|
| Sight                                                                            | Sight                                                                                                                    |  |                                                                                                                                     |
|  |                                        |  |                                                                                                                                     |
|                                                                                  | 1: 9,5 ↙<br>2: 10,0 ↓<br>3: 9,4 ↗<br>4: 9,4 →<br>5: 9,7 ↓<br>6: 8,9 ↙<br>7: 10,7* ↑<br>8: 8,5 ↙<br>9: 8,9 ↓<br>10: 8,9 ↓ |  | 11: 8,5 ↙<br>12: 8,8 ←<br>13: 9,3 ↓<br>14: 10,3* ←<br>15: 8,6 ↙<br>16: 9,0 →<br>17: 8,3 ↑<br>18: 10,1 ←<br>19: 8,9 ↙<br>20: 10,9* → |
|                                                                                  | Serie 93,9                                                                                                               |  | Serie 92,7                                                                                                                          |
|                                                                                  | Totalt 0,0                                                                                                               |  | Totalt 0,0                                                                                                                          |

|                                                                                   |                                                                                                                                     |  |                                       |
|-----------------------------------------------------------------------------------|-------------------------------------------------------------------------------------------------------------------------------------|--|---------------------------------------|
| Sight                                                                             | Sight                                                                                                                               |  |                                       |
|  |                                                  |  |                                       |
|                                                                                   | 21: 10,1 ←<br>22: 9,4 ↓<br>23: 10,3* →<br>24: 9,9 ↓<br>25: 8,9 ↓<br>26: 8,0 ↗<br>27: 10,0 ↗<br>28: 10,0 ↓<br>29: 9,6 →<br>30: 9,7 → |  | 31: 10,3* ↑<br>32: 8,3 ↗<br>33: 8,6 ↘ |
|                                                                                   | Serie 95,9                                                                                                                          |  | Serie 27,2                            |
|                                                                                   | Totalt 0,0                                                                                                                          |  | Totalt 0,0                            |

|                                                                                    |                                                                                                                               |  |                                                                                                                                       |
|------------------------------------------------------------------------------------|-------------------------------------------------------------------------------------------------------------------------------|--|---------------------------------------------------------------------------------------------------------------------------------------|
| 60 shot                                                                            | 60 shot                                                                                                                       |  |                                                                                                                                       |
|  |                                           |  |                                                                                                                                       |
|                                                                                    | 1: 9,5 →<br>2: 9,0 ↗<br>3: 10,1 ↙<br>4: 8,9 →<br>5: 10,6* ↘<br>6: 10,3* ↗<br>7: 9,6 ↘<br>8: 10,8* ↘<br>9: 10,1 ↑<br>10: 9,7 ↓ |  | 11: 9,0 →<br>12: 9,6 ↗<br>13: 9,2 →<br>14: 10,4* ←<br>15: 10,1 ←<br>16: 8,7 ↗<br>17: 10,1 ↙<br>18: 10,1 ↓<br>19: 9,9 →<br>20: 10,3* ↗ |
|                                                                                    | Serie 98,6                                                                                                                    |  | Serie 97,4                                                                                                                            |
|                                                                                    | Totalt 98,6                                                                                                                   |  | Totalt 196,0                                                                                                                          |

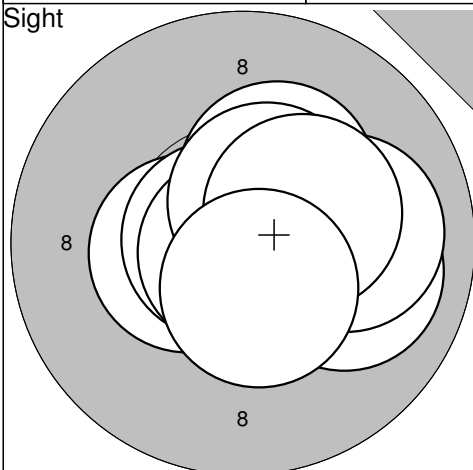
|                                                                                    |                                                                                                                                       |  |                                                                                                                                     |
|------------------------------------------------------------------------------------|---------------------------------------------------------------------------------------------------------------------------------------|--|-------------------------------------------------------------------------------------------------------------------------------------|
| 60 shot                                                                            | 60 shot                                                                                                                               |  |                                                                                                                                     |
|  |                                                   |  |                                                                                                                                     |
|                                                                                    | 21: 10,5* ↓<br>22: 9,7 ←<br>23: 9,3 ↑<br>24: 8,9 ←<br>25: 8,9 ↓<br>26: 10,6* ↗<br>27: 10,0 ↓<br>28: 9,8 ↓<br>29: 9,7 ↘<br>30: 10,6* → |  | 31: 8,8 ←<br>32: 10,3* ↑<br>33: 7,9 ↘<br>34: 9,3 ↓<br>35: 9,4 ↗<br>36: 10,1 ↗<br>37: 10,3* ←<br>38: 8,2 ↗<br>39: 8,9 ↓<br>40: 9,9 ↑ |
|                                                                                    | Serie 98,0                                                                                                                            |  | Serie 93,1                                                                                                                          |
|                                                                                    | Totalt 294,0                                                                                                                          |  | Totalt 387,1                                                                                                                        |

2013-04-20

UME-Kulan 2013

Umeå skytteallians

Sight

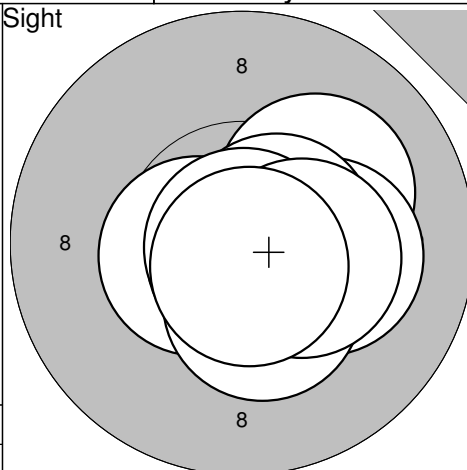


1: 10,4\* ↗  
 2: 10,3\* ↗  
 3: 10,5\* ←  
 4: 10,7\* ←  
 5: 10,8\* ↓  
 6: 10,0 →  
 7: 10,0 →  
 8: 10,5\* ↗  
 9: 10,3\* ↗  
 10: 10,5\* ↓

Serie 104,0

Totalt 0,0

Sight

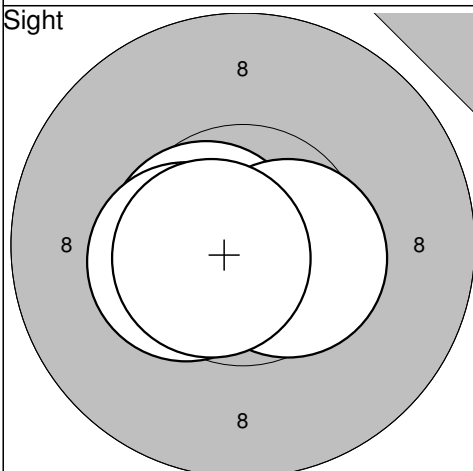


11: 10,1 ↗  
 12: 10,5\* ←  
 13: 10,7\* →  
 14: 10,8\* ↓  
 15: 10,2\* →  
 16: 10,4\* ↓  
 17: 10,6\* →  
 18: 10,9\* ↓  
 19: 10,4\* →  
 20: 10,7\* ↓

Serie 105,3

Totalt 0,0

Sight

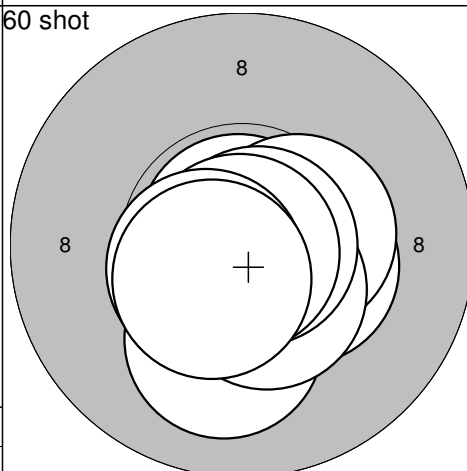


21: 10,6\* ←  
 22: 10,5\* →  
 23: 10,4\* ←  
 24: 10,6\* ←

Serie 42,1

Totalt 0,0

60 shot

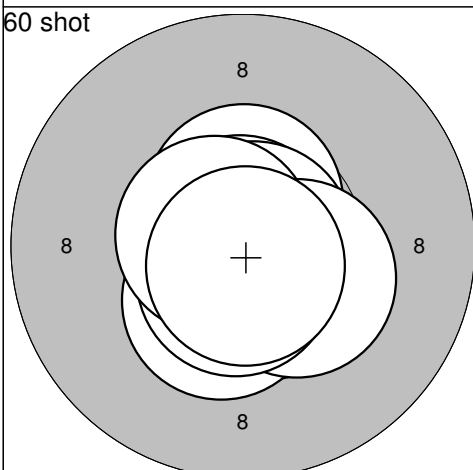


1: 10,8\* ↓  
 2: 10,8\* ↗  
 3: 10,4\* →  
 4: 10,4\* →  
 5: 10,1 ↓  
 6: 10,5\* ↓  
 7: 10,8\* →  
 8: 10,9\* ↓  
 9: 10,6\* ←  
 10: 10,5\* ↙

Serie 105,8

Totalt 105,8

60 shot

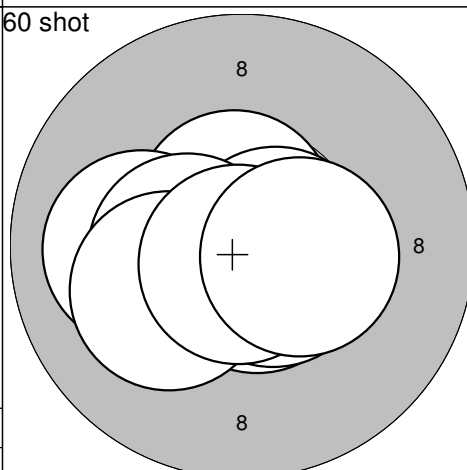


11: 10,8\* ↓  
 12: 10,6\* ↓  
 13: 10,6\* ↑  
 14: 10,8\* ↑  
 15: 10,4\* ↓  
 16: 10,8\* →  
 17: 10,4\* →  
 18: 10,7\* ↓  
 19: 10,7\* ←  
 20: 10,8\* ↓

Serie 106,6

Totalt 212,4

60 shot

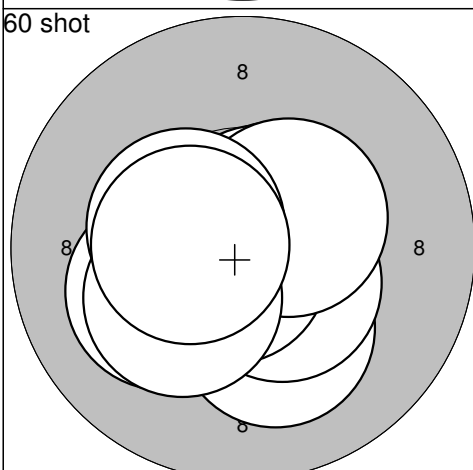


21: 10,8\* ↑  
 22: 10,6\* ↑  
 23: 10,7\* ↓  
 24: 10,6\* ↓  
 25: 10,6\* →  
 26: 10,0 ←  
 27: 10,5\* ←  
 28: 10,2\* ↙  
 29: 10,8\* ↓  
 30: 10,4\* →

Serie 105,2

Totalt 317,6

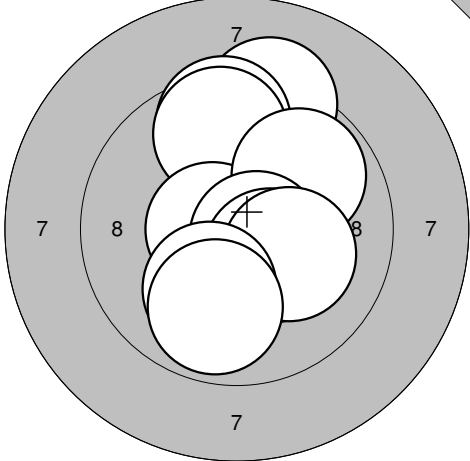
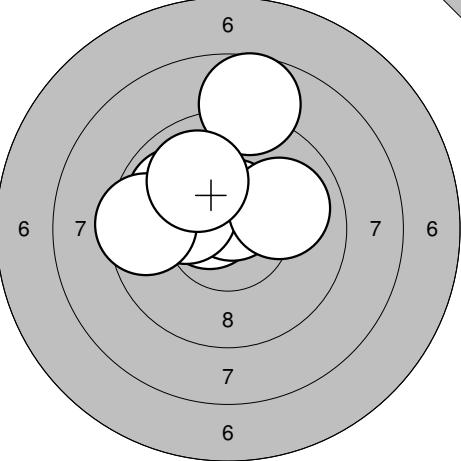
60 shot

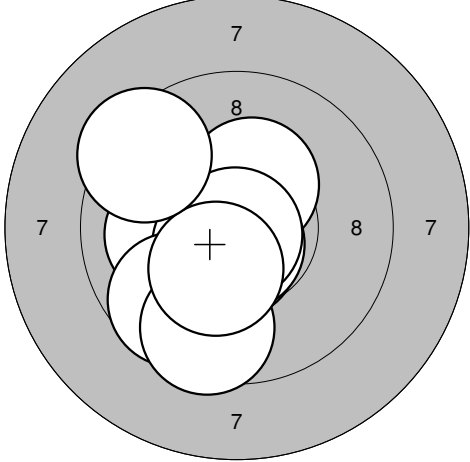
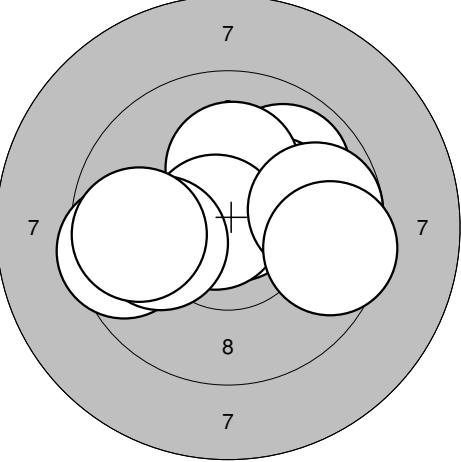


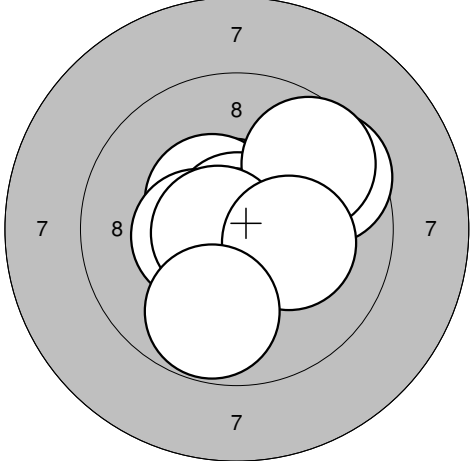
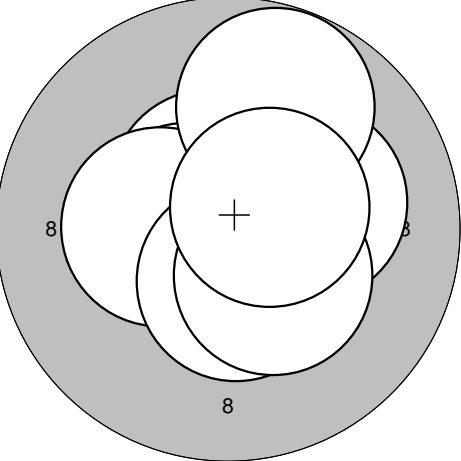
31: 10,2\* ↓  
 32: 10,5\* ↓  
 33: 10,5\* ↗  
 34: 10,7\* ↗  
 35: 10,8\* ↓  
 36: 10,4\* ↗  
 37: 10,1 ←  
 38: 10,2\* ↙  
 39: 10,4\* ←  
 40: 10,5\* ←

Serie 104,3

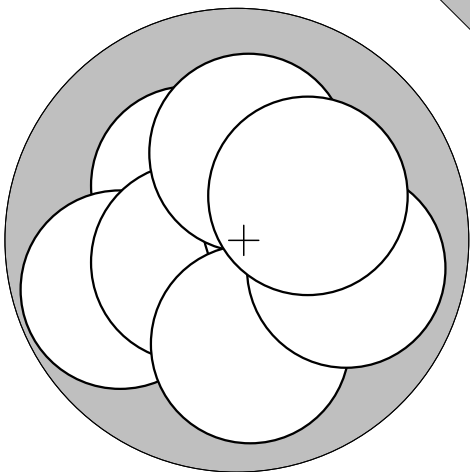
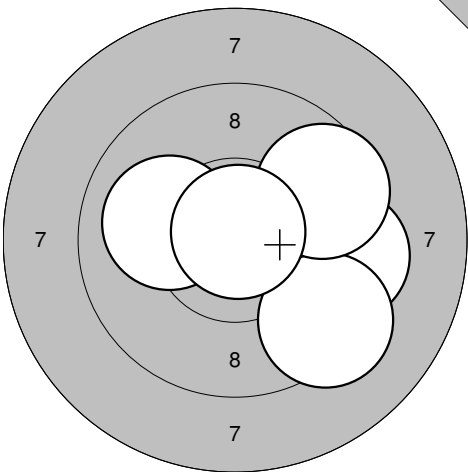
Totalt 421,9

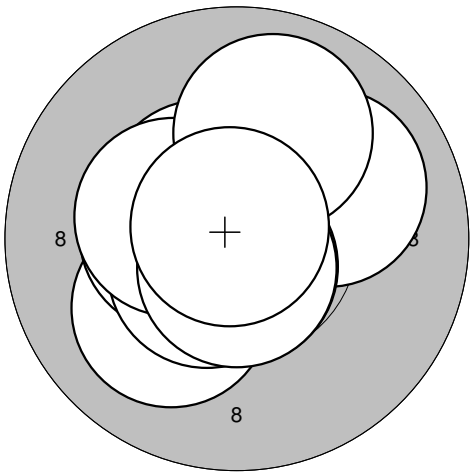
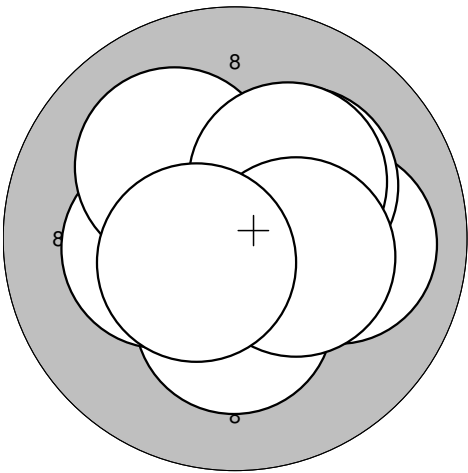
|                                                                                           |             |                                                                                             |             |
|-------------------------------------------------------------------------------------------|-------------|---------------------------------------------------------------------------------------------|-------------|
| Sight<br> | 1: 9,2 ↑    | Sight<br> | 11: 8,7 ↑   |
|                                                                                           | 2: 9,5 ↑    |                                                                                             | 12: 10,6* ↖ |
|                                                                                           | 3: 9,7 ↑    |                                                                                             | 13: 10,6* ↑ |
|                                                                                           | 4: 10,6* ←  |                                                                                             | 14: 9,9 ↖   |
|                                                                                           | 5: 9,9 ↗    |                                                                                             | 15: 10,2* ↖ |
|                                                                                           | 6: 10,7* →  |                                                                                             | 16: 9,5 ←   |
|                                                                                           | 7: 10,4* ↘  |                                                                                             | 17: 10,0 ↗  |
|                                                                                           | 8: 10,2* →  |                                                                                             | 18: 9,9 ↖   |
|                                                                                           | 9: 10,1 ↓   |                                                                                             |             |
|                                                                                           | 10: 9,9 ↓   |                                                                                             |             |
|                                                                                           | Serie 100,2 |                                                                                             | Serie 79,4  |
|                                                                                           | Totalt 0,0  |                                                                                             | Totalt 0,0  |

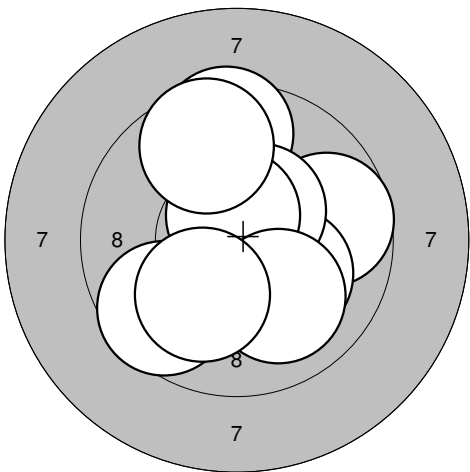
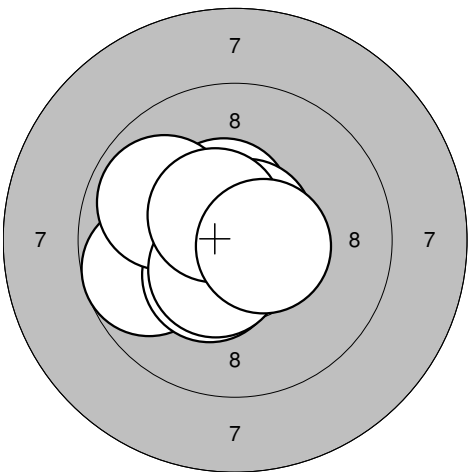
|                                                                                              |              |                                                                                                |              |
|----------------------------------------------------------------------------------------------|--------------|------------------------------------------------------------------------------------------------|--------------|
| 60 shot<br> | 1: 10,1 ←    | 60 shot<br> | 11: 9,9 ↗    |
|                                                                                              | 2: 10,6* ↘   |                                                                                                | 12: 9,5 ←    |
|                                                                                              | 3: 10,6* ↓   |                                                                                                | 13: 10,3* ↗  |
|                                                                                              | 4: 10,3* ↑   |                                                                                                | 14: 10,7* ↗  |
|                                                                                              | 5: 10,7* ↓   |                                                                                                | 15: 10,2* ↑  |
|                                                                                              | 6: 9,7 ↘     |                                                                                                | 16: 10,8* ↖  |
|                                                                                              | 7: 10,9* ↓   |                                                                                                | 17: 10,0 ←   |
|                                                                                              | 8: 9,6 ↓     |                                                                                                | 18: 9,8 ←    |
|                                                                                              | 9: 10,3* ↘   |                                                                                                | 19: 9,8 →    |
|                                                                                              | 10: 9,4 ↖    |                                                                                                | 20: 9,6 →    |
|                                                                                              | Serie 102,2  |                                                                                                | Serie 100,6  |
|                                                                                              | Totalt 102,2 |                                                                                                | Totalt 202,8 |

|                                                                                               |              |                                                                                                 |              |
|-----------------------------------------------------------------------------------------------|--------------|-------------------------------------------------------------------------------------------------|--------------|
| 60 shot<br> | 21: 9,6 ↗    | 60 shot<br> | 31: 10,7* ↑  |
|                                                                                               | 22: 10,6* ↑  |                                                                                                 | 32: 10,6* ←  |
|                                                                                               | 23: 10,5* ↖  |                                                                                                 | 33: 10,6* ↖  |
|                                                                                               | 24: 10,8* ↑  |                                                                                                 | 34: 10,2* →  |
|                                                                                               | 25: 10,4* ←  |                                                                                                 | 35: 10,6* ←  |
|                                                                                               | 26: 10,8* ↘  |                                                                                                 | 36: 10,3* ←  |
|                                                                                               | 27: 9,7 ↗    |                                                                                                 | 37: 10,5* ↓  |
|                                                                                               | 28: 10,7* ←  |                                                                                                 | 38: 9,8 ↑    |
|                                                                                               | 29: 10,2* →  |                                                                                                 | 39: 10,4* ↘  |
|                                                                                               | 30: 9,8 ↓    |                                                                                                 | 40: 10,5* ↗  |
|                                                                                               | Serie 103,1  |                                                                                                 | Serie 104,2  |
|                                                                                               | Totalt 305,9 |                                                                                                 | Totalt 410,1 |

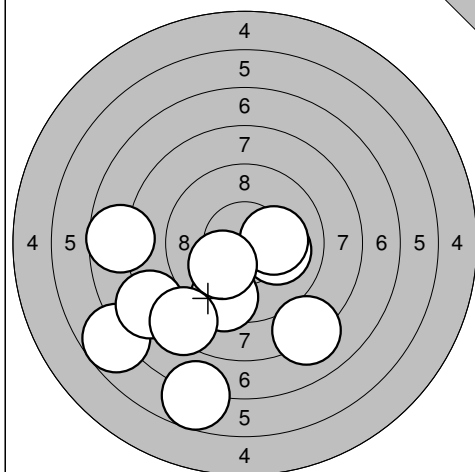


|                                                                                                                                                                                 |                                                                                                 |  |
|---------------------------------------------------------------------------------------------------------------------------------------------------------------------------------|-------------------------------------------------------------------------------------------------|--|
| <p>Sight</p>                                                                                    | <p>Sight</p>  |  |
| <p>1: 10,7* →</p> <p>2: 10,8* ←</p> <p>3: 10,3* ↗</p> <p>4: 9,8 ←</p> <p>5: 10,5* ←</p> <p>6: 10,3* →</p> <p>7: 10,2* ↑</p> <p>8: 10,0 ↓</p> <p>9: 9,9 →</p> <p>10: 10,2* ↗</p> | <p>11: 10,1 ←</p> <p>12: 9,5 →</p> <p>13: 9,3 ↘</p> <p>14: 9,6 ↗</p> <p>15: 10,8* ↑</p>         |  |
| Serie 102,7                                                                                                                                                                     | Serie 49,3                                                                                      |  |
| Totalt 0,0                                                                                                                                                                      | Totalt 0,0                                                                                      |  |

|                                                                                                                                                                                  |                                                                                                                                                                                             |  |
|----------------------------------------------------------------------------------------------------------------------------------------------------------------------------------|---------------------------------------------------------------------------------------------------------------------------------------------------------------------------------------------|--|
| <p>60 shot</p>                                                                                  | <p>60 shot</p>                                                                                           |  |
| <p>1: 10,1 ↘</p> <p>2: 10,0 ↗</p> <p>3: 10,4* ←</p> <p>4: 10,6* ↘</p> <p>5: 10,7* ↓</p> <p>6: 10,5* ↗</p> <p>7: 10,4* ←</p> <p>8: 10,7* ↓</p> <p>9: 9,9 ↑</p> <p>10: 10,8* ↗</p> | <p>11: 10,5* ↗</p> <p>12: 10,5* →</p> <p>13: 10,3* ↓</p> <p>14: 10,0 →</p> <p>15: 10,3* ←</p> <p>16: 10,1 ↗</p> <p>17: 10,2* ↗</p> <p>18: 10,2* ↗</p> <p>19: 10,4* →</p> <p>20: 10,5* ↘</p> |  |
| Serie 104,1                                                                                                                                                                      | Serie 103,0                                                                                                                                                                                 |  |
| Totalt 104,1                                                                                                                                                                     | Totalt 207,1                                                                                                                                                                                |  |

|                                                                                                                                                                                     |                                                                                                                                                                                           |  |
|-------------------------------------------------------------------------------------------------------------------------------------------------------------------------------------|-------------------------------------------------------------------------------------------------------------------------------------------------------------------------------------------|--|
| <p>60 shot</p>                                                                                    | <p>60 shot</p>                                                                                        |  |
| <p>21: 9,5 ↑</p> <p>22: 9,7 →</p> <p>23: 10,2* ↘</p> <p>24: 10,7* ↘</p> <p>25: 10,5* ↗</p> <p>26: 10,6* ↑</p> <p>27: 9,6 ←</p> <p>28: 9,6 ↑</p> <p>29: 10,0 ↓</p> <p>30: 10,1 ↘</p> | <p>31: 9,7 ←</p> <p>32: 10,5* ↑</p> <p>33: 10,7* ↗</p> <p>34: 10,6* ↗</p> <p>35: 10,4* ↘</p> <p>36: 10,9* ↘</p> <p>37: 9,9 ←</p> <p>38: 10,5* ↘</p> <p>39: 10,5* ↗</p> <p>40: 10,6* →</p> |  |
| Serie 100,5                                                                                                                                                                         | Serie 104,3                                                                                                                                                                               |  |
| Totalt 307,6                                                                                                                                                                        | Totalt 411,9                                                                                                                                                                              |  |

Sight

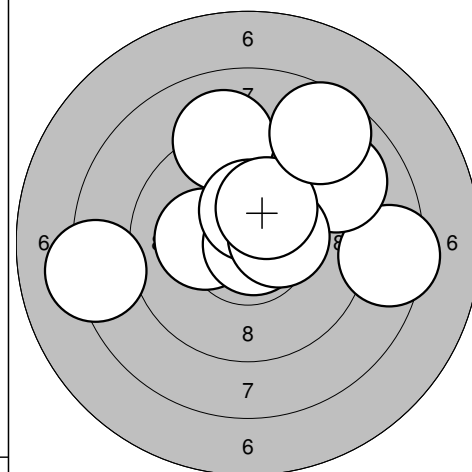


1: 10,1 →  
 2: 6,8 ↙  
 3: 9,4 ↓  
 4: 7,7 ←  
 5: 10,2\* →  
 6: 6,7 ↓  
 7: 10,1 ↙  
 8: 8,0 ←  
 9: 8,1 ↓  
 10: 8,3 ↙

Serie 85,4

Totalt 0,0

60 shot

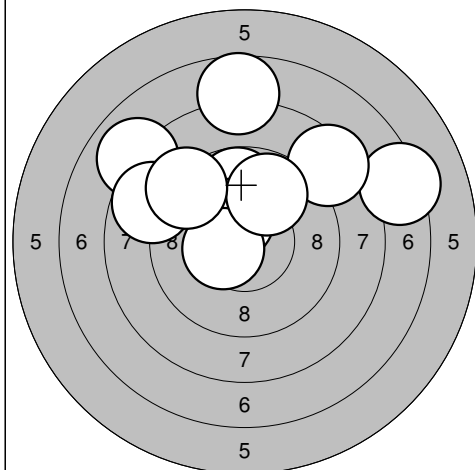


1: 10,2\* ←  
 2: 8,2 ←  
 3: 10,8\* →  
 4: 9,1 ↑  
 5: 10,4\* ↑  
 6: 8,5 →  
 7: 9,1 ↗  
 8: 10,4\* →  
 9: 10,2\* ↗  
 10: 8,6 ↗

Serie 95,5

Totalt 95,5

60 shot

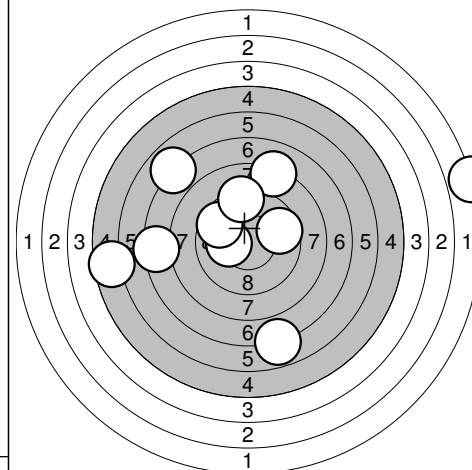


11: 7,3 →  
 12: 8,0 ↙  
 13: 9,8 ↑  
 14: 10,4\* ↗  
 15: 7,7 ↑  
 16: 10,5\* ←  
 17: 8,5 ↗  
 18: 8,8 ←  
 19: 9,8 ↑  
 20: 9,2 ↙

Serie 90,0

Totalt 185,5

60 shot

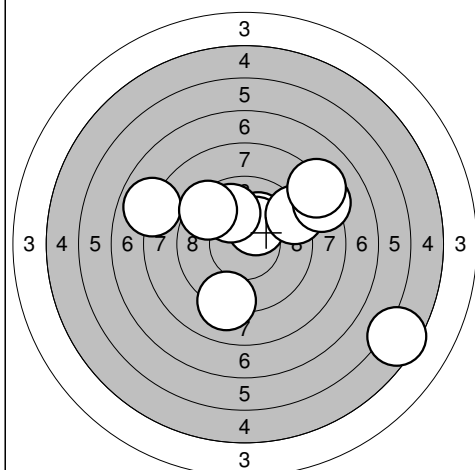


21: 8,1 ↗  
 22: 10,2\* ←  
 23: 9,7 ↙  
 24: 9,3 ↑  
 25: 6,8 ↓  
 26: 1,9 →  
 27: 7,4 ←  
 28: 9,6 →  
 29: 6,9 ↙  
 30: 5,6 ←

Serie 75,5

Totalt 261,0

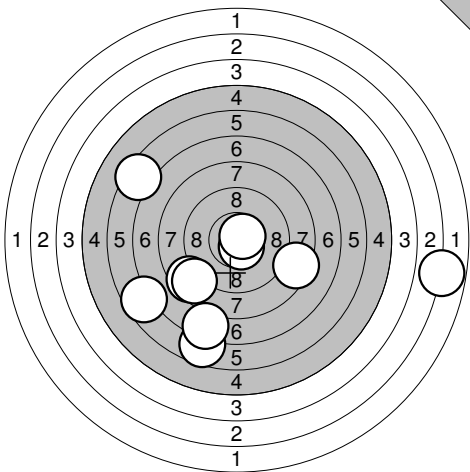
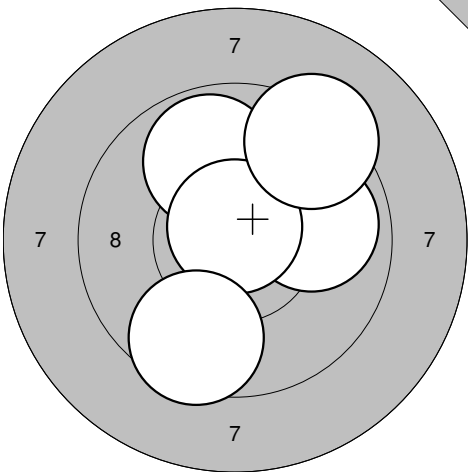
60 shot

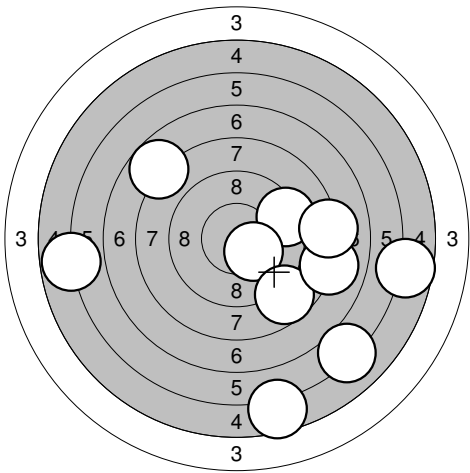
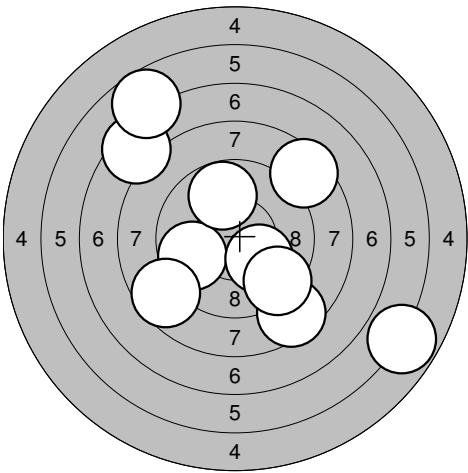


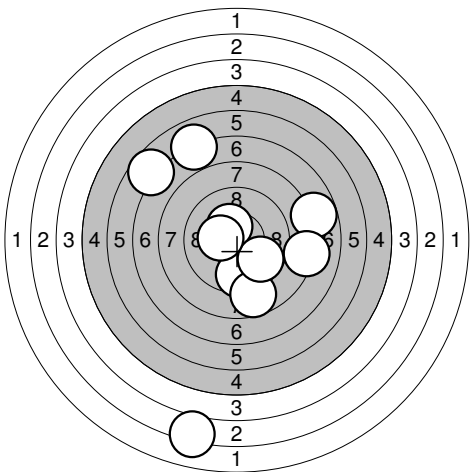
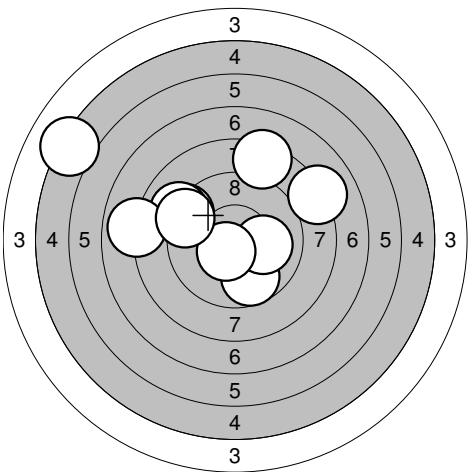
31: 10,1 ↗  
 32: 10,3\* ↗  
 33: 7,9 ←  
 34: 9,9 ↑  
 35: 9,2 ↗  
 36: 8,3 →  
 37: 9,1 ↓  
 38: 9,4 ↙  
 39: 5,5 ↘  
 40: 8,2 ↗

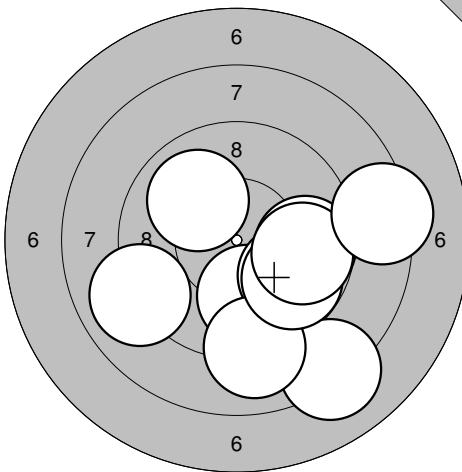
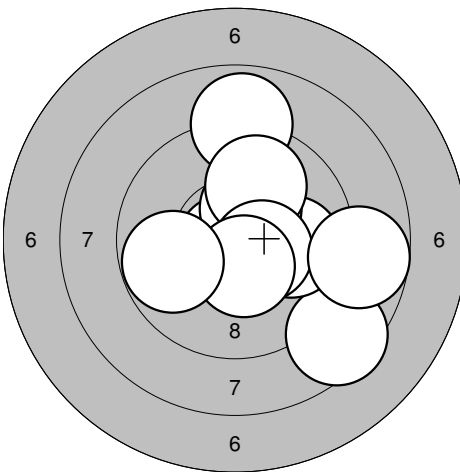
Serie 87,9

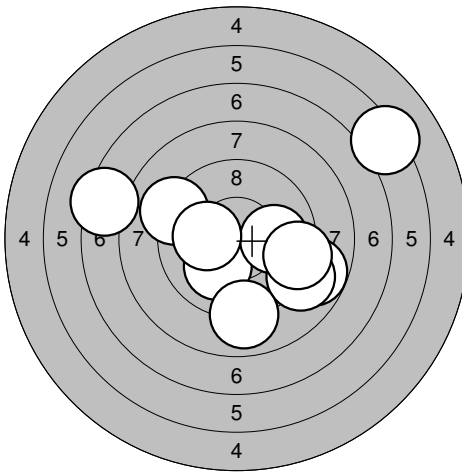
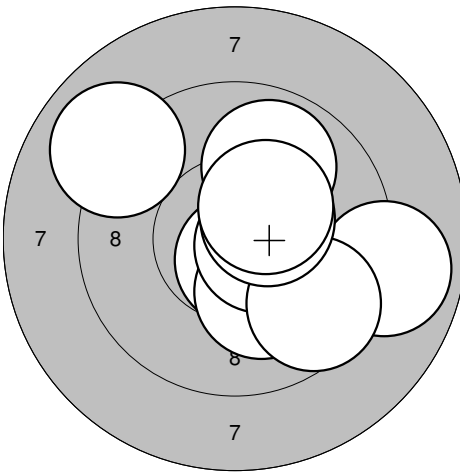
Totalt 348,9

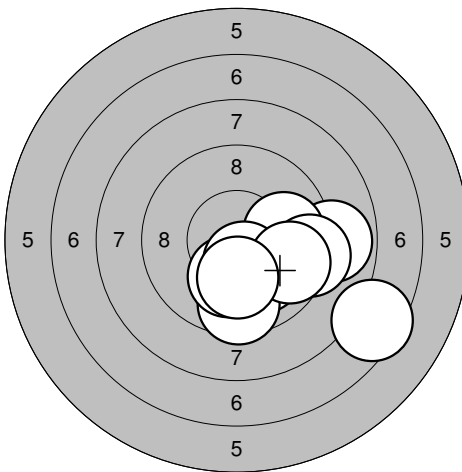
|                                                                                               |                                                                                                                                                                            |                                                                                                 |                                                                                                             |
|-----------------------------------------------------------------------------------------------|----------------------------------------------------------------------------------------------------------------------------------------------------------------------------|-------------------------------------------------------------------------------------------------|-------------------------------------------------------------------------------------------------------------|
| <p>Sight</p>  | <p>1: 10,6* ↘<br/>2: 8,5 ↙<br/>3: 6,7 ↙<br/>4: 6,4 ↗<br/>5: 6,7 ↘<br/>6: 10,7* →<br/>7: 8,6 ↙<br/>8: 2,8 →<br/>9: 7,4 ↘<br/>10: 8,4 →</p> <p>Serie 71,0<br/>Totalt 0,0</p> | <p>Sight</p>  | <p>11: 9,9 ↗<br/>12: 9,9 →<br/>13: 10,8* ↑<br/>14: 9,3 ↗<br/>15: 9,5 ↘</p> <p>Serie 46,0<br/>Totalt 0,0</p> |
|-----------------------------------------------------------------------------------------------|----------------------------------------------------------------------------------------------------------------------------------------------------------------------------|-------------------------------------------------------------------------------------------------|-------------------------------------------------------------------------------------------------------------|

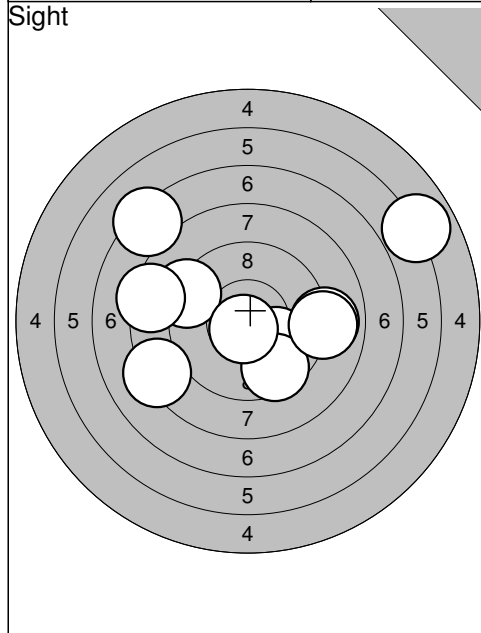
|                                                                                                  |                                                                                                                                                                           |                                                                                                    |                                                                                                                                                                                    |
|--------------------------------------------------------------------------------------------------|---------------------------------------------------------------------------------------------------------------------------------------------------------------------------|----------------------------------------------------------------------------------------------------|------------------------------------------------------------------------------------------------------------------------------------------------------------------------------------|
| <p>60 shot</p>  | <p>1: 9,3 →<br/>2: 10,3* ↘<br/>3: 7,8 ↗<br/>4: 5,6 ↘<br/>5: 5,7 →<br/>6: 8,7 ↘<br/>7: 8,0 →<br/>8: 8,1 →<br/>9: 6,1 ↘<br/>10: 5,9 ←</p> <p>Serie 71,0<br/>Totalt 71,0</p> | <p>60 shot</p>  | <p>11: 9,7 ↙<br/>12: 5,8 ↘<br/>13: 8,7 ↙<br/>14: 8,5 ↘<br/>15: 10,1 ↘<br/>16: 7,5 ↗<br/>17: 9,4 ↘<br/>18: 9,8 ↑<br/>19: 6,7 ↗<br/>20: 8,5 ↗</p> <p>Serie 79,0<br/>Totalt 150,0</p> |
|--------------------------------------------------------------------------------------------------|---------------------------------------------------------------------------------------------------------------------------------------------------------------------------|----------------------------------------------------------------------------------------------------|------------------------------------------------------------------------------------------------------------------------------------------------------------------------------------|

|                                                                                                   |                                                                                                                                                                                       |                                                                                                     |                                                                                                                                                                                      |
|---------------------------------------------------------------------------------------------------|---------------------------------------------------------------------------------------------------------------------------------------------------------------------------------------|-----------------------------------------------------------------------------------------------------|--------------------------------------------------------------------------------------------------------------------------------------------------------------------------------------|
| <p>60 shot</p>  | <p>21: 10,4* ↗<br/>22: 9,6 ↘<br/>23: 8,7 ↘<br/>24: 6,7 ↗<br/>25: 3,1 ↘<br/>26: 7,8 →<br/>27: 7,0 ↗<br/>28: 9,7 ↘<br/>29: 8,1 →<br/>30: 10,3* ←</p> <p>Serie 77,0<br/>Totalt 227,0</p> | <p>60 shot</p>  | <p>31: 5,2 ↙<br/>32: 9,2 ↙<br/>33: 8,3 ↑<br/>34: 9,0 ↙<br/>35: 9,7 ↘<br/>36: 10,1 →<br/>37: 10,5* ↘<br/>38: 8,1 ↗<br/>39: 7,9 ←<br/>40: 9,3 ←</p> <p>Serie 84,0<br/>Totalt 311,0</p> |
|---------------------------------------------------------------------------------------------------|---------------------------------------------------------------------------------------------------------------------------------------------------------------------------------------|-----------------------------------------------------------------------------------------------------|--------------------------------------------------------------------------------------------------------------------------------------------------------------------------------------|

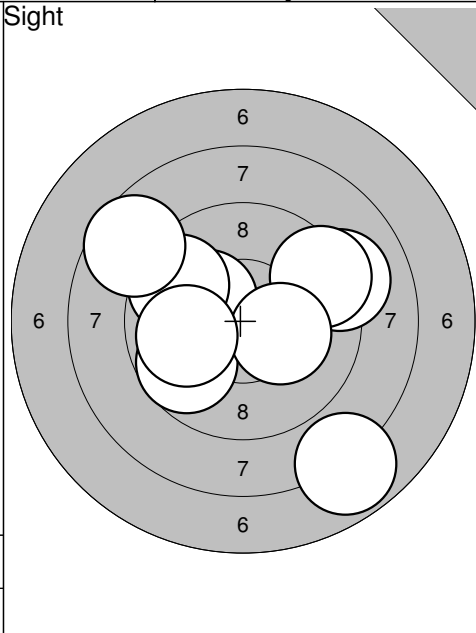
|                                                                                                                        |                                                                                                                               |  |
|------------------------------------------------------------------------------------------------------------------------|-------------------------------------------------------------------------------------------------------------------------------|--|
| Sight<br>                              | 60 shot<br>                                 |  |
| 1: 8,1 ↘<br>2: 9,7 →<br>3: 10,0 ↗<br>4: 9,9 ↓<br>5: 9,8 ↓<br>6: 9,0 ←<br>7: 9,0 ↓<br>8: 9,8 ↓<br>9: 9,8 →<br>10: 8,3 → | 1: 8,5 ↘<br>2: 8,9 ↑<br>3: 10,8* ↙<br>4: 9,9 →<br>5: 10,3* ↗<br>6: 9,9 ↑<br>7: 10,4* →<br>8: 10,5* ↓<br>9: 9,8 ←<br>10: 8,7 → |  |
| Serie 89,0                                                                                                             | Serie 91,0                                                                                                                    |  |
| Totalt 0,0                                                                                                             | Totalt 91,0                                                                                                                   |  |

|                                                                                                                                    |                                                                                                                                          |  |
|------------------------------------------------------------------------------------------------------------------------------------|------------------------------------------------------------------------------------------------------------------------------------------|--|
| 60 shot<br>                                       | 60 shot<br>                                           |  |
| 11: 10,1 ↘<br>12: 7,3 ←<br>13: 6,3 ↗<br>14: 8,8 →<br>15: 9,2 ↗<br>16: 9,0 ↓<br>17: 10,0 →<br>18: 10,2* ←<br>19: 9,3 →<br>20: 8,9 ↓ | 21: 9,7 ↘<br>22: 9,9 ↗<br>23: 10,6* ↓<br>24: 10,2* ↓<br>25: 9,0 ↗<br>26: 10,6* →<br>27: 8,9 →<br>28: 9,6 ↘<br>29: 10,4* ↗<br>30: 10,4* ↗ |  |
| Serie 86,0                                                                                                                         | Serie 94,0                                                                                                                               |  |
| Totalt 177,0                                                                                                                       | Totalt 271,0                                                                                                                             |  |

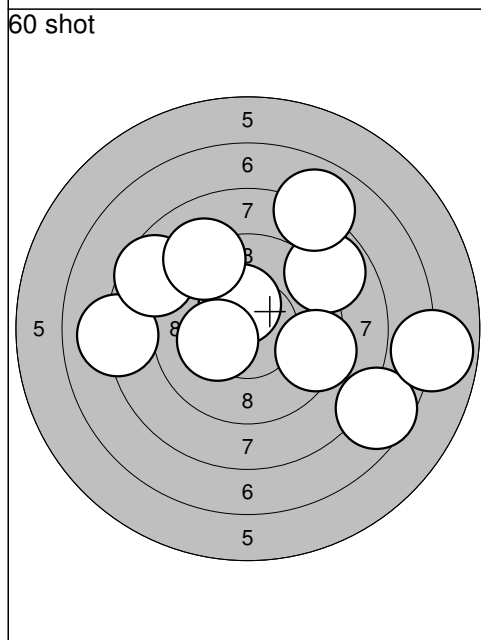
|                                                                                               |                                                                                                                                     |  |
|-----------------------------------------------------------------------------------------------|-------------------------------------------------------------------------------------------------------------------------------------|--|
| 60 shot<br> | 31: 10,0 ↘<br>32: 9,5 ↓<br>33: 8,9 →<br>34: 7,5 ↓<br>35: 9,9 →<br>36: 10,1 ↓<br>37: 10,4* ↓<br>38: 9,3 →<br>39: 9,7 →<br>40: 10,1 ↓ |  |
| Serie 91,0                                                                                    |                                                                                                                                     |  |
| Totalt 362,0                                                                                  |                                                                                                                                     |  |



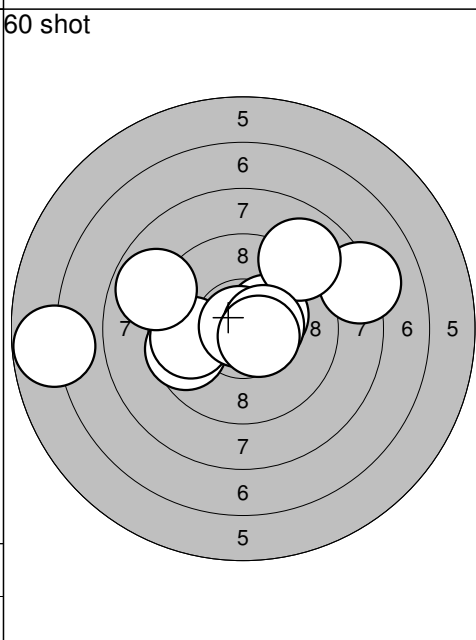
|           |      |
|-----------|------|
| 1: 8,2    | ↙    |
| 2: 10,0   | ↘    |
| 3: 9,2    | ↖    |
| 4: 5,9    | ↗    |
| 5: 8,9    | →    |
| 6: 9,5    | ↘    |
| 7: 9,0    | →    |
| 8: 7,3    | ↗    |
| 9: 8,3    | ↖    |
| 10: 10,7* | ↘    |
| Serie     | 83,0 |
| Totalt    | 0,0  |



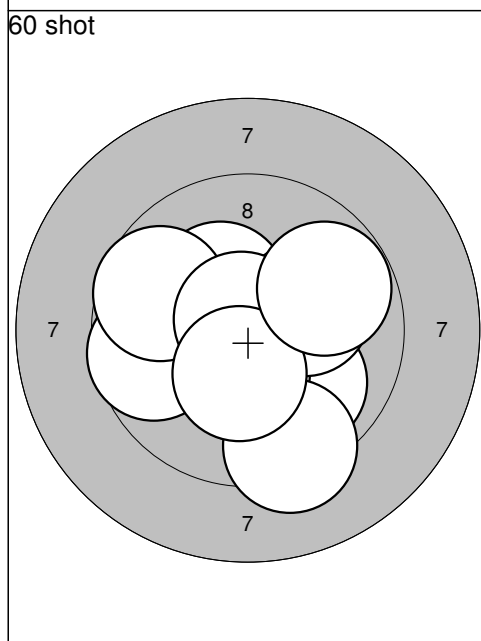
|           |      |
|-----------|------|
| 11: 10,4* | ↖    |
| 12: 9,1   | ↗    |
| 13: 7,8   | ↘    |
| 14: 10,2* | ↖    |
| 15: 9,7   | ↖    |
| 16: 9,4   | ↗    |
| 17: 9,7   | ↖    |
| 18: 10,2* | ↗    |
| 19: 8,6   | ↖    |
| 20: 9,9   | ↖    |
| Serie     | 90,0 |
| Totalt    | 0,0  |



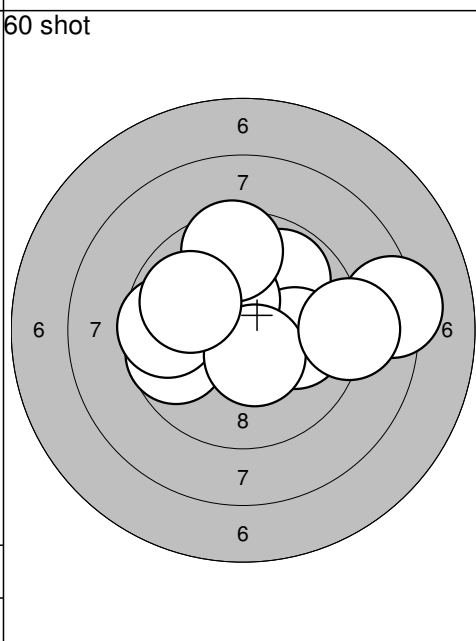
|          |      |
|----------|------|
| 1: 8,8   | ↗    |
| 2: 8,0   | ↗    |
| 3: 8,1   | ↖    |
| 4: 7,6   | ↘    |
| 5: 10,4* | ↗    |
| 6: 10,2* | ↖    |
| 7: 6,9   | →    |
| 8: 8,6   | ↗    |
| 9: 9,2   | ↗    |
| 10: 9,4  | →    |
| Serie    | 83,0 |
| Totalt   | 83,0 |



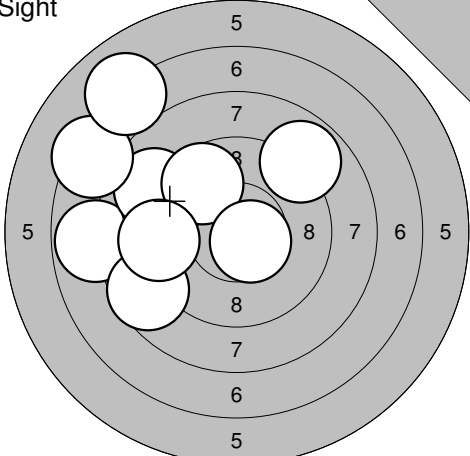
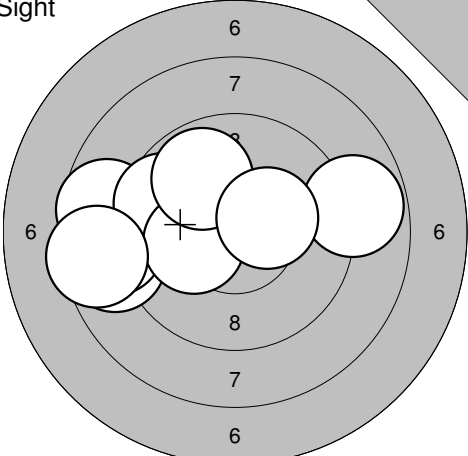
|           |       |
|-----------|-------|
| 11: 6,8   | ↖     |
| 12: 9,6   | ↖     |
| 13: 9,8   | ↖     |
| 14: 8,9   | ↖     |
| 15: 8,2   | ↗     |
| 16: 10,3* | ↗     |
| 17: 9,0   | ↗     |
| 18: 10,9* | ↖     |
| 19: 10,5* | →     |
| 20: 10,6* | ↘     |
| Serie     | 89,0  |
| Totalt    | 172,0 |

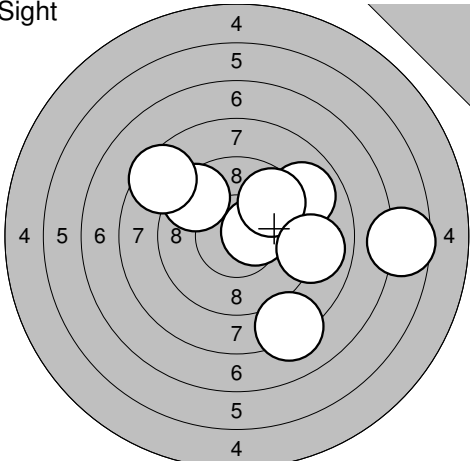
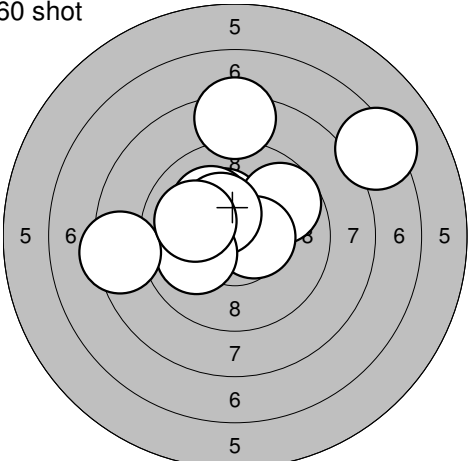


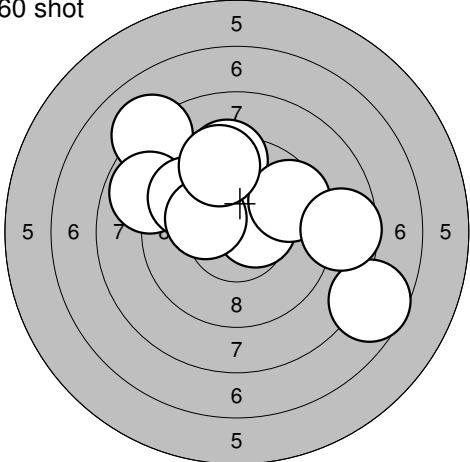
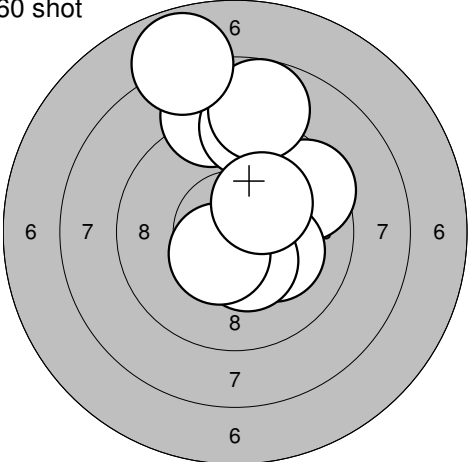
|           |       |
|-----------|-------|
| 21: 10,3* | ↗     |
| 22: 10,0  | ↘     |
| 23: 10,4* | ↘     |
| 24: 10,1  | →     |
| 25: 9,7   | ↖     |
| 26: 9,7   | ↖     |
| 27: 10,8* | ↗     |
| 28: 9,3   | ↘     |
| 29: 10,4* | ↘     |
| 30: 9,8   | ↗     |
| Serie     | 96,0  |
| Totalt    | 268,0 |

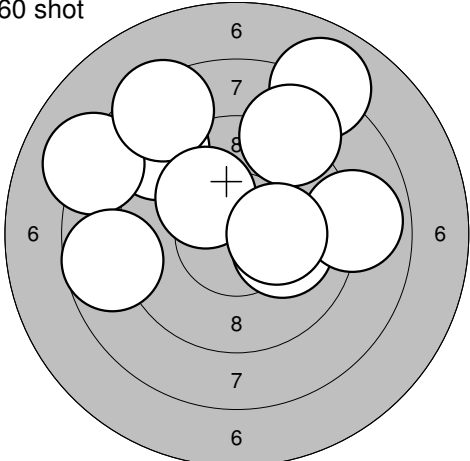


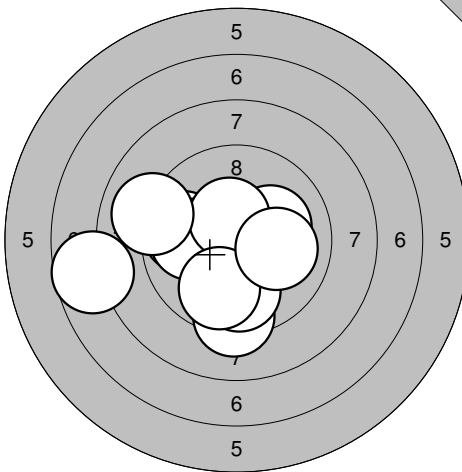
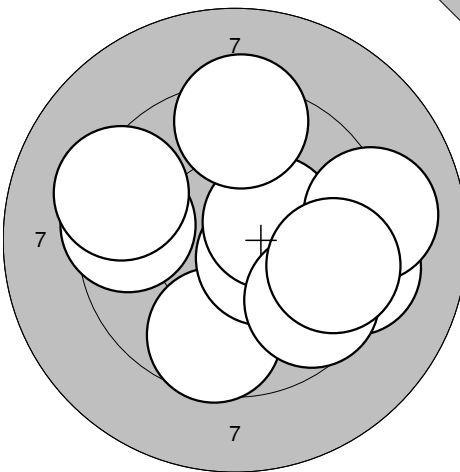
|           |       |
|-----------|-------|
| 31: 9,9   | ↗     |
| 32: 10,0  | →     |
| 33: 10,4* | ↗     |
| 34: 8,3   | →     |
| 35: 9,7   | ↖     |
| 36: 9,5   | ↗     |
| 37: 9,6   | ↖     |
| 38: 10,5* | ↘     |
| 39: 9,9   | ↖     |
| 40: 9,1   | →     |
| Serie     | 92,0  |
| Totalt    | 360,0 |

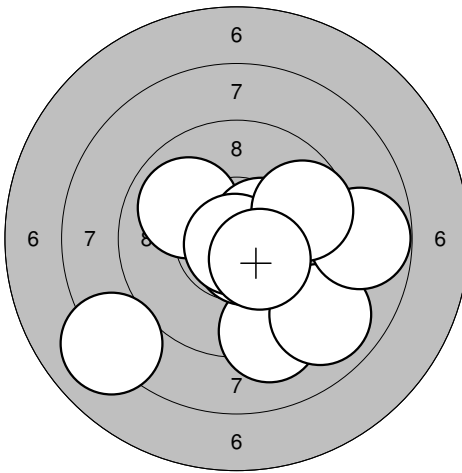
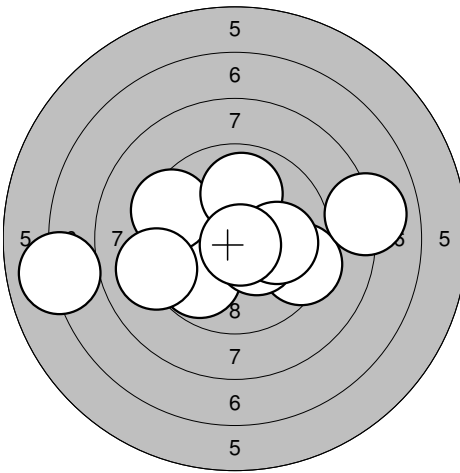
|                                                                                  |                                                                                                                                                                                                                                 |                                                                                    |                                                                                                                                                                                                                                             |
|----------------------------------------------------------------------------------|---------------------------------------------------------------------------------------------------------------------------------------------------------------------------------------------------------------------------------|------------------------------------------------------------------------------------|---------------------------------------------------------------------------------------------------------------------------------------------------------------------------------------------------------------------------------------------|
| Sight                                                                            | Sight                                                                                                                                                                                                                           |                                                                                    |                                                                                                                                                                                                                                             |
|  | <ul style="list-style-type: none"> <li>1: 7,8 ←</li> <li>2: 8,6 ↙</li> <li>3: 8,9 ↗</li> <li>4: 9,2 ↖</li> <li>5: 8,9 ↗</li> <li>6: 7,4 ↗</li> <li>7: 9,7 ↗</li> <li>8: 9,2 ←</li> <li>9: 10,6* ↘</li> <li>10: 7,1 ↗</li> </ul> |  | <ul style="list-style-type: none"> <li>11: 8,8 ←</li> <li>12: 8,8 ←</li> <li>13: 8,7 ←</li> <li>14: 10,0 ↖</li> <li>15: 9,6 ↖</li> <li>16: 10,2* ←</li> <li>17: 8,8 →</li> <li>18: 9,9 ↗</li> <li>19: 8,5 ←</li> <li>20: 10,3* ↗</li> </ul> |
|                                                                                  | Serie 82,0                                                                                                                                                                                                                      |                                                                                    | Serie 88,0                                                                                                                                                                                                                                  |
|                                                                                  | Totalt 0,0                                                                                                                                                                                                                      |                                                                                    | Totalt 0,0                                                                                                                                                                                                                                  |

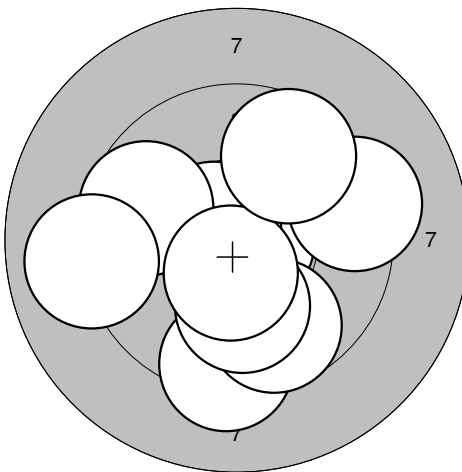
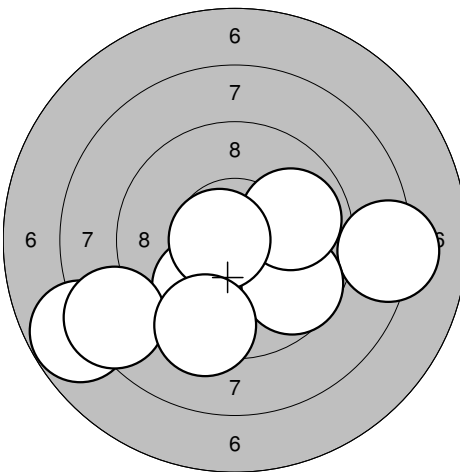
|                                                                                   |                                                                                                                                                                                                    |                                                                                     |                                                                                                                                                                                                                                        |
|-----------------------------------------------------------------------------------|----------------------------------------------------------------------------------------------------------------------------------------------------------------------------------------------------|-------------------------------------------------------------------------------------|----------------------------------------------------------------------------------------------------------------------------------------------------------------------------------------------------------------------------------------|
| Sight                                                                             | 60 shot                                                                                                                                                                                            |                                                                                     |                                                                                                                                                                                                                                        |
|  | <ul style="list-style-type: none"> <li>21: 6,6 →</li> <li>22: 10,4* →</li> <li>23: 8,2 ↘</li> <li>24: 8,9 ↗</li> <li>25: 9,7 ↗</li> <li>26: 9,5 ↗</li> <li>27: 9,0 →</li> <li>28: 8,5 ↗</li> </ul> |  | <ul style="list-style-type: none"> <li>1: 10,3* ↗</li> <li>2: 9,7 ↗</li> <li>3: 8,4 ↑</li> <li>4: 10,5* →</li> <li>5: 7,3 ↗</li> <li>6: 10,1 ↗</li> <li>7: 10,4* ↗</li> <li>8: 10,0 ←</li> <li>9: 8,4 ←</li> <li>10: 10,0 ↖</li> </ul> |
|                                                                                   | Serie 67,0                                                                                                                                                                                         |                                                                                     | Serie 92,0                                                                                                                                                                                                                             |
|                                                                                   | Totalt 0,0                                                                                                                                                                                         |                                                                                     | Totalt 92,0                                                                                                                                                                                                                            |

|                                                                                    |                                                                                                                                                                                                                                            |                                                                                      |                                                                                                                                                                                                                                                  |
|------------------------------------------------------------------------------------|--------------------------------------------------------------------------------------------------------------------------------------------------------------------------------------------------------------------------------------------|--------------------------------------------------------------------------------------|--------------------------------------------------------------------------------------------------------------------------------------------------------------------------------------------------------------------------------------------------|
| 60 shot                                                                            | 60 shot                                                                                                                                                                                                                                    |                                                                                      |                                                                                                                                                                                                                                                  |
|  | <ul style="list-style-type: none"> <li>11: 8,1 ↗</li> <li>12: 9,4 ↑</li> <li>13: 10,5* →</li> <li>14: 8,9 ↖</li> <li>15: 7,7 ↘</li> <li>16: 9,7 ↗</li> <li>17: 9,6 ↗</li> <li>18: 8,6 →</li> <li>19: 10,2* ↖</li> <li>20: 9,4 ↑</li> </ul> |  | <ul style="list-style-type: none"> <li>21: 8,9 ↑</li> <li>22: 10,3* →</li> <li>23: 9,1 ↑</li> <li>24: 9,5 ↗</li> <li>25: 8,8 ↑</li> <li>26: 10,2* →</li> <li>27: 10,4* ↘</li> <li>28: 10,5* ↘</li> <li>29: 7,9 ↑</li> <li>30: 10,2* ↗</li> </ul> |
|                                                                                    | Serie 87,0                                                                                                                                                                                                                                 |                                                                                      | Serie 91,0                                                                                                                                                                                                                                       |
|                                                                                    | Totalt 179,0                                                                                                                                                                                                                               |                                                                                      | Totalt 270,0                                                                                                                                                                                                                                     |

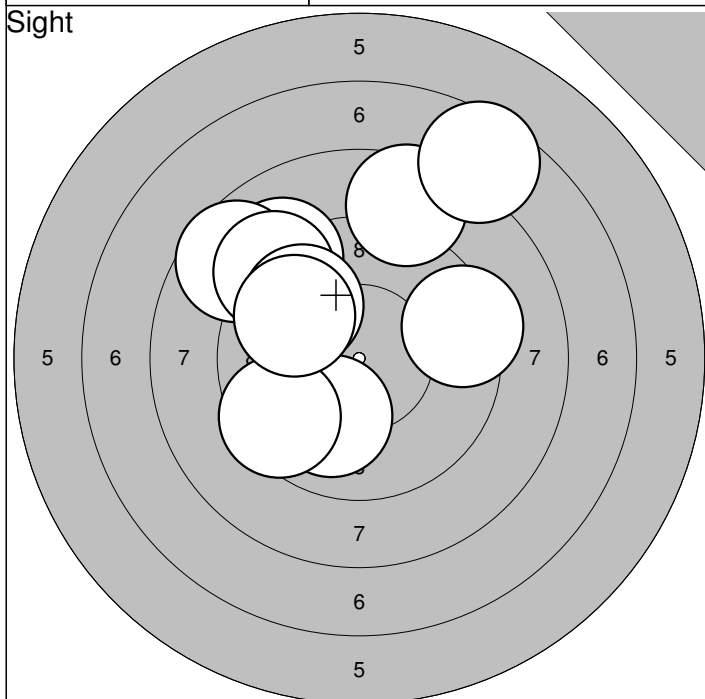
|                                                                                    |                                                                                                                                                                                                                                            |  |  |
|------------------------------------------------------------------------------------|--------------------------------------------------------------------------------------------------------------------------------------------------------------------------------------------------------------------------------------------|--|--|
| 60 shot                                                                            |                                                                                                                                                                                                                                            |  |  |
|  | <ul style="list-style-type: none"> <li>31: 8,9 ↗</li> <li>32: 8,1 ↖</li> <li>33: 8,0 ↗</li> <li>34: 9,0 ↗</li> <li>35: 8,4 ↗</li> <li>36: 10,1 →</li> <li>37: 8,7 ←</li> <li>38: 10,1 ↗</li> <li>39: 8,9 →</li> <li>40: 10,2* →</li> </ul> |  |  |
|                                                                                    | Serie 87,0                                                                                                                                                                                                                                 |  |  |
|                                                                                    | Totalt 357,0                                                                                                                                                                                                                               |  |  |

|                                                                                               |                                                                                                                                                                                                                                                                                                                                                       |       |      |        |     |                                                                                                 |                                                                                                                                                                                                                                                                                                                                                               |       |      |        |     |
|-----------------------------------------------------------------------------------------------|-------------------------------------------------------------------------------------------------------------------------------------------------------------------------------------------------------------------------------------------------------------------------------------------------------------------------------------------------------|-------|------|--------|-----|-------------------------------------------------------------------------------------------------|---------------------------------------------------------------------------------------------------------------------------------------------------------------------------------------------------------------------------------------------------------------------------------------------------------------------------------------------------------------|-------|------|--------|-----|
| <p>Sight</p>  | <p>1: 9,3 ↓<br/>2: 9,8 ←<br/>3: 9,8 ↓<br/>4: 10,0 ←<br/>5: 10,1 →<br/>6: 7,7 ←<br/>7: 10,5* ↑<br/>8: 9,8 ↓<br/>9: 10,0 →<br/>10: 9,0 ←</p> <table border="1" style="width:100%; border-collapse: collapse;"> <tr><td>Serie</td><td style="text-align: right;">92,0</td></tr> <tr><td>Totalt</td><td style="text-align: right;">0,0</td></tr> </table> | Serie | 92,0 | Totalt | 0,0 | <p>Sight</p>  | <p>11: 9,7 ↓<br/>12: 10,5* ↘<br/>13: 10,4* ↗<br/>14: 9,3 →<br/>15: 9,1 →<br/>16: 9,4 ↑<br/>17: 9,5 ←<br/>18: 9,3 ←<br/>19: 9,6 ↘<br/>20: 9,6 →</p> <table border="1" style="width:100%; border-collapse: collapse;"> <tr><td>Serie</td><td style="text-align: right;">92,0</td></tr> <tr><td>Totalt</td><td style="text-align: right;">0,0</td></tr> </table> | Serie | 92,0 | Totalt | 0,0 |
| Serie                                                                                         | 92,0                                                                                                                                                                                                                                                                                                                                                  |       |      |        |     |                                                                                                 |                                                                                                                                                                                                                                                                                                                                                               |       |      |        |     |
| Totalt                                                                                        | 0,0                                                                                                                                                                                                                                                                                                                                                   |       |      |        |     |                                                                                                 |                                                                                                                                                                                                                                                                                                                                                               |       |      |        |     |
| Serie                                                                                         | 92,0                                                                                                                                                                                                                                                                                                                                                  |       |      |        |     |                                                                                                 |                                                                                                                                                                                                                                                                                                                                                               |       |      |        |     |
| Totalt                                                                                        | 0,0                                                                                                                                                                                                                                                                                                                                                   |       |      |        |     |                                                                                                 |                                                                                                                                                                                                                                                                                                                                                               |       |      |        |     |

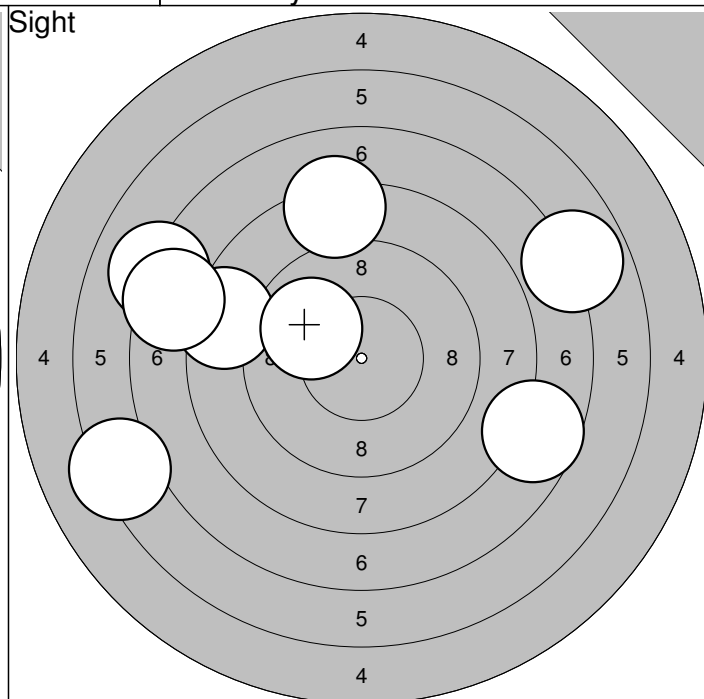
|                                                                                                  |                                                                                                                                                                                                                                                                                                                                                            |       |      |        |      |                                                                                                    |                                                                                                                                                                                                                                                                                                                                                                   |       |      |        |       |
|--------------------------------------------------------------------------------------------------|------------------------------------------------------------------------------------------------------------------------------------------------------------------------------------------------------------------------------------------------------------------------------------------------------------------------------------------------------------|-------|------|--------|------|----------------------------------------------------------------------------------------------------|-------------------------------------------------------------------------------------------------------------------------------------------------------------------------------------------------------------------------------------------------------------------------------------------------------------------------------------------------------------------|-------|------|--------|-------|
| <p>60 shot</p>  | <p>1: 9,2 ↓<br/>2: 10,0 ↗<br/>3: 8,9 ↓<br/>4: 8,8 →<br/>5: 10,5* →<br/>6: 8,1 ↓<br/>7: 10,6* ↓<br/>8: 10,8* ↓<br/>9: 9,7 →<br/>10: 10,4* ↓</p> <table border="1" style="width:100%; border-collapse: collapse;"> <tr><td>Serie</td><td style="text-align: right;">92,0</td></tr> <tr><td>Totalt</td><td style="text-align: right;">92,0</td></tr> </table> | Serie | 92,0 | Totalt | 92,0 | <p>60 shot</p>  | <p>11: 9,8 ↙<br/>12: 9,4 →<br/>13: 9,4 ←<br/>14: 8,0 →<br/>15: 10,0 ↑<br/>16: 10,3* ↘<br/>17: 10,0 →<br/>18: 9,1 ←<br/>19: 10,8* ↘<br/>20: 7,0 ←</p> <table border="1" style="width:100%; border-collapse: collapse;"> <tr><td>Serie</td><td style="text-align: right;">91,0</td></tr> <tr><td>Totalt</td><td style="text-align: right;">183,0</td></tr> </table> | Serie | 91,0 | Totalt | 183,0 |
| Serie                                                                                            | 92,0                                                                                                                                                                                                                                                                                                                                                       |       |      |        |      |                                                                                                    |                                                                                                                                                                                                                                                                                                                                                                   |       |      |        |       |
| Totalt                                                                                           | 92,0                                                                                                                                                                                                                                                                                                                                                       |       |      |        |      |                                                                                                    |                                                                                                                                                                                                                                                                                                                                                                   |       |      |        |       |
| Serie                                                                                            | 91,0                                                                                                                                                                                                                                                                                                                                                       |       |      |        |      |                                                                                                    |                                                                                                                                                                                                                                                                                                                                                                   |       |      |        |       |
| Totalt                                                                                           | 183,0                                                                                                                                                                                                                                                                                                                                                      |       |      |        |      |                                                                                                    |                                                                                                                                                                                                                                                                                                                                                                   |       |      |        |       |

|                                                                                                   |                                                                                                                                                                                                                                                                                                                                                                    |       |      |        |       |                                                                                                     |                                                                                                                                                                                                                                                                                                                                                                   |       |      |        |       |
|---------------------------------------------------------------------------------------------------|--------------------------------------------------------------------------------------------------------------------------------------------------------------------------------------------------------------------------------------------------------------------------------------------------------------------------------------------------------------------|-------|------|--------|-------|-----------------------------------------------------------------------------------------------------|-------------------------------------------------------------------------------------------------------------------------------------------------------------------------------------------------------------------------------------------------------------------------------------------------------------------------------------------------------------------|-------|------|--------|-------|
| <p>60 shot</p>  | <p>21: 9,3 ↓<br/>22: 10,8* →<br/>23: 10,6* ↗<br/>24: 9,7 ↗<br/>25: 9,7 ↓<br/>26: 9,0 ←<br/>27: 9,3 →<br/>28: 10,1 ↓<br/>29: 10,5* ↓<br/>30: 9,6 ↗</p> <table border="1" style="width:100%; border-collapse: collapse;"> <tr><td>Serie</td><td style="text-align: right;">94,0</td></tr> <tr><td>Totalt</td><td style="text-align: right;">277,0</td></tr> </table> | Serie | 94,0 | Totalt | 277,0 | <p>60 shot</p>  | <p>31: 10,5* ↙<br/>32: 8,2 →<br/>33: 7,8 ←<br/>34: 9,9 ↓<br/>35: 10,4* ↘<br/>36: 8,4 ←<br/>37: 9,7 ↘<br/>38: 9,9 →<br/>39: 10,7* ←<br/>40: 9,4 ↓</p> <table border="1" style="width:100%; border-collapse: collapse;"> <tr><td>Serie</td><td style="text-align: right;">89,0</td></tr> <tr><td>Totalt</td><td style="text-align: right;">366,0</td></tr> </table> | Serie | 89,0 | Totalt | 366,0 |
| Serie                                                                                             | 94,0                                                                                                                                                                                                                                                                                                                                                               |       |      |        |       |                                                                                                     |                                                                                                                                                                                                                                                                                                                                                                   |       |      |        |       |
| Totalt                                                                                            | 277,0                                                                                                                                                                                                                                                                                                                                                              |       |      |        |       |                                                                                                     |                                                                                                                                                                                                                                                                                                                                                                   |       |      |        |       |
| Serie                                                                                             | 89,0                                                                                                                                                                                                                                                                                                                                                               |       |      |        |       |                                                                                                     |                                                                                                                                                                                                                                                                                                                                                                   |       |      |        |       |
| Totalt                                                                                            | 366,0                                                                                                                                                                                                                                                                                                                                                              |       |      |        |       |                                                                                                     |                                                                                                                                                                                                                                                                                                                                                                   |       |      |        |       |

Sight



Sight



1: 9,1 ↖  
 2: 8,6 ↑  
 3: 7,6 ↗  
 4: 10,0 ↓  
 5: 8,6 ↙

6: 9,2 ↖  
 7: 9,8 ↙  
 8: 9,5 ↙  
 9: 9,8 ↙  
 10: 9,4 →

Serie 87,0

Totalt 0,0

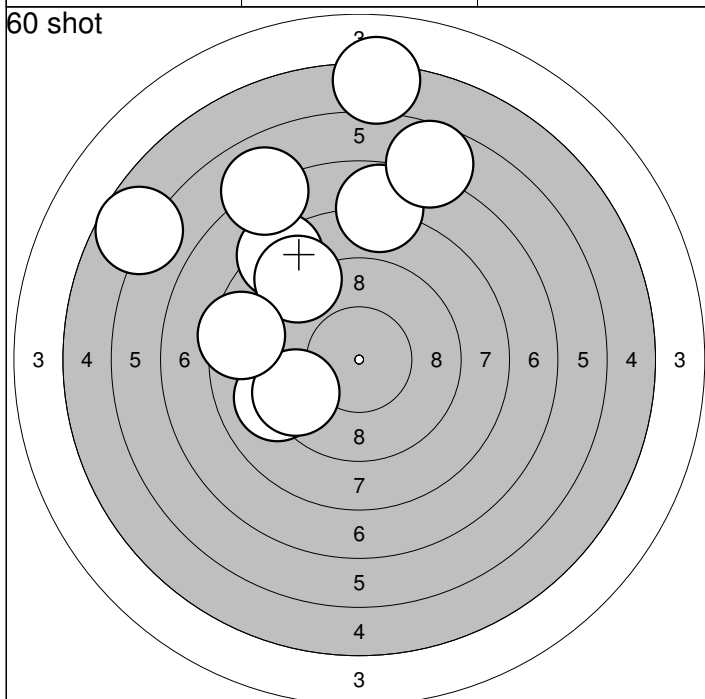
11: 6,3 ←  
 12: 6,9 →  
 13: 8,4 ←  
 14: 7,1 ↙  
 15: 7,5 ←

16: 9,9 ↖  
 17: 7,7 →  
 18: 8,2 ↑

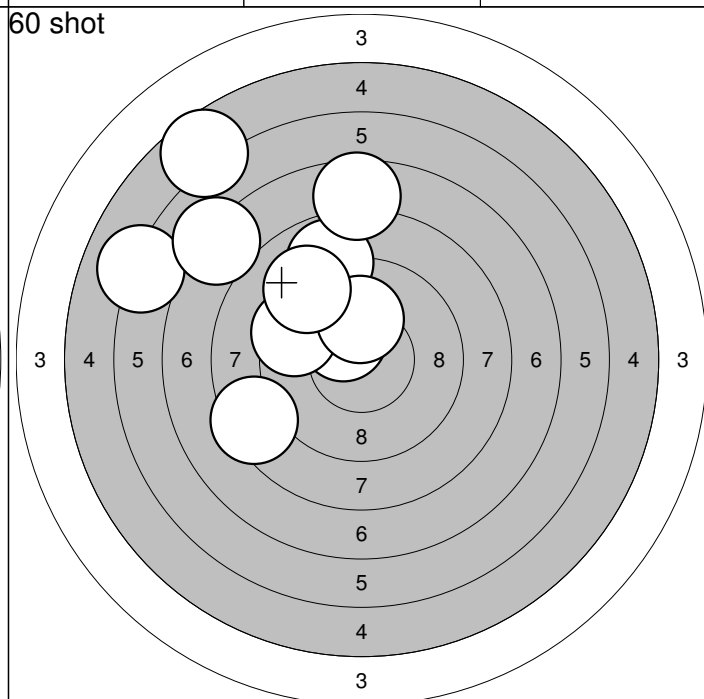
Serie 58,0

Totalt 0,0

60 shot



60 shot



1: 8,3 ↖  
 2: 7,8 ↑  
 3: 7,0 ↖  
 4: 9,1 ←  
 5: 9,5 ↙

6: 5,7 ↖  
 7: 8,9 ↖  
 8: 8,5 ←  
 9: 6,7 ↑  
 10: 5,2 ↑

Serie 72,0

Totalt 72,0

11: 10,4\* ↖  
 12: 9,5 ↖  
 13: 8,9 ↑  
 14: 5,6 ↖  
 15: 6,1 ←

16: 8,4 ←  
 17: 10,1 ↑  
 18: 9,1 ↖  
 19: 7,6 ↑  
 20: 7,1 ↙

Serie 79,0

Totalt 151,0



Skjutlag

4

Tavla

7

Ylva Strömberg

S

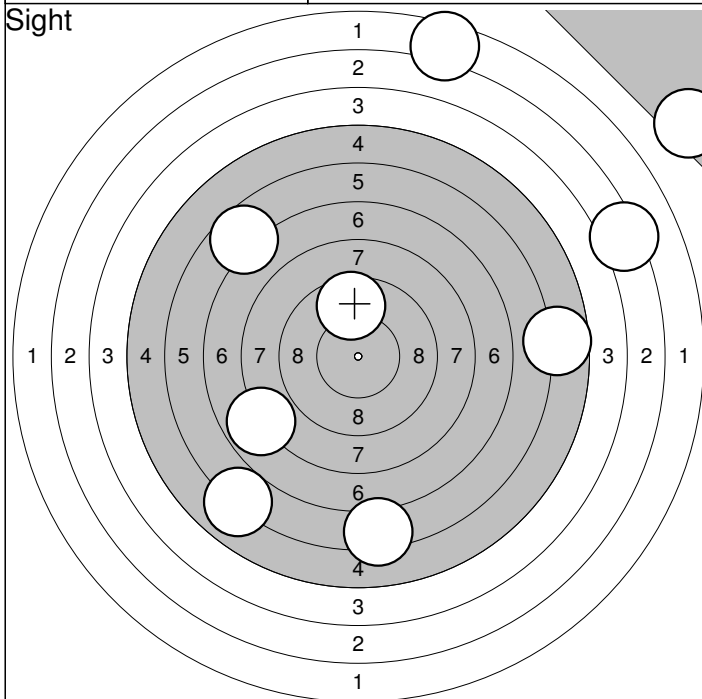
Vännäs

2013-04-20

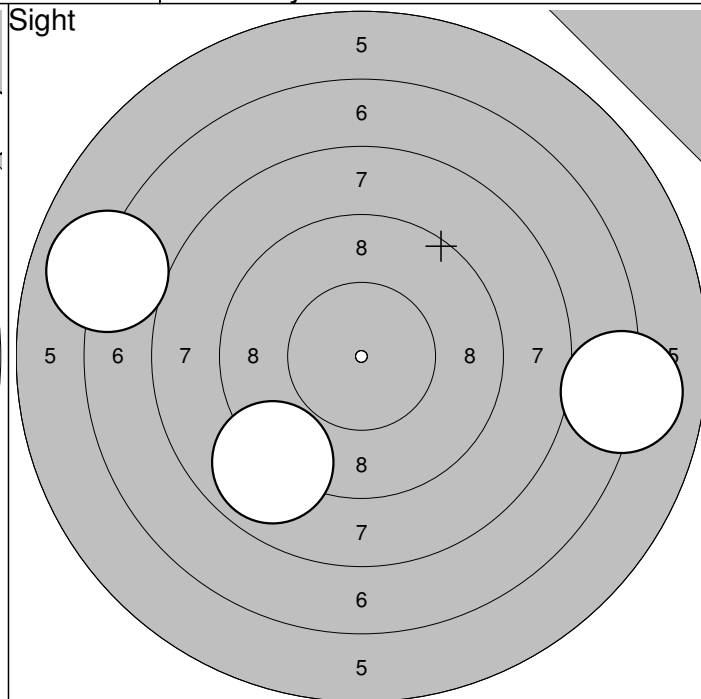
UME-Kulan 2013

Umeå skytteallians

Sight



Sight



1: 3,3 →  
2: 2,5 ↑  
3: 5,7 →  
4: 0,0 ←  
5: 9,6 ↑

6: 0,0 →  
7: 6,3 ↓  
8: 7,9 ←  
9: 6,0 ↓  
10: 6,7 ↖

Serie 44,0

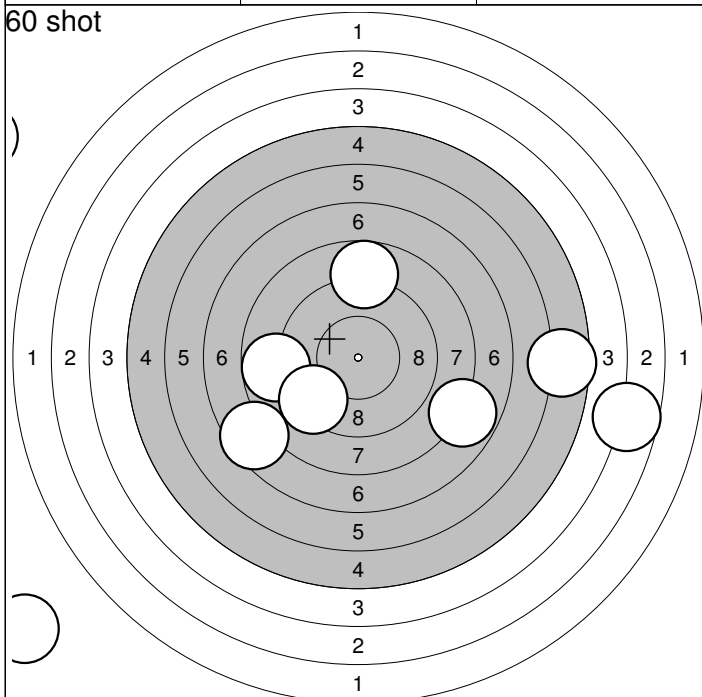
Totalt 0,0

11: 0,0 →  
12: 7,1 →  
13: 0,0 ↖  
14: 7,0 ←  
15: 8,9 ↙

Serie 22,0

Totalt 0,0

60 shot



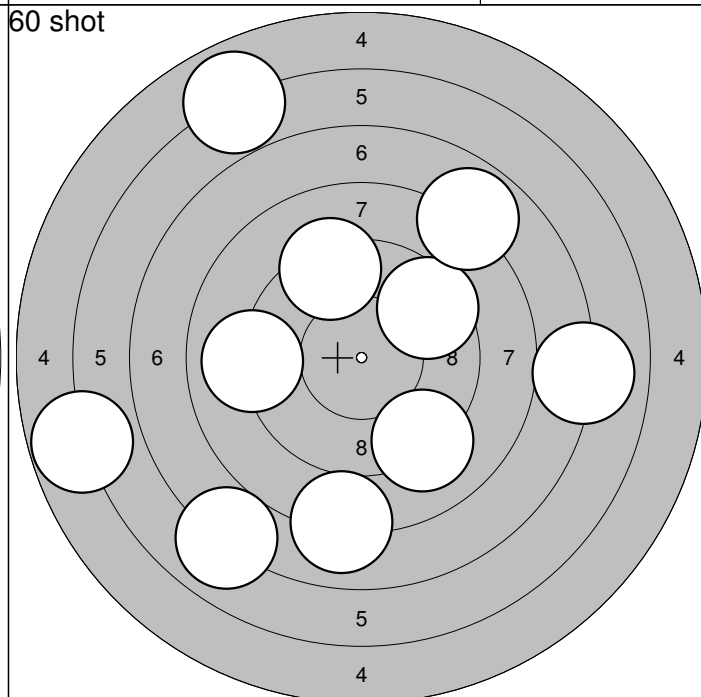
1: 0,0 ↖  
2: 8,8 ←  
3: 8,8 ↑  
4: 7,8 ↘  
5: 3,7 →

6: 0,0 ↑  
7: 5,6 →  
8: 7,5 ←  
9: 0,0 ←  
10: 9,3 ↙

Serie 47,0

Totalt 47,0

60 shot



11: 5,8 ←  
12: 9,3 ↑  
13: 7,0 →  
14: 9,1 ↘  
15: 9,0 ←

16: 9,5 ↗  
17: 8,0 ↓  
18: 7,9 ↗  
19: 5,9 ↖  
20: 7,0 ↙

Serie 75,0

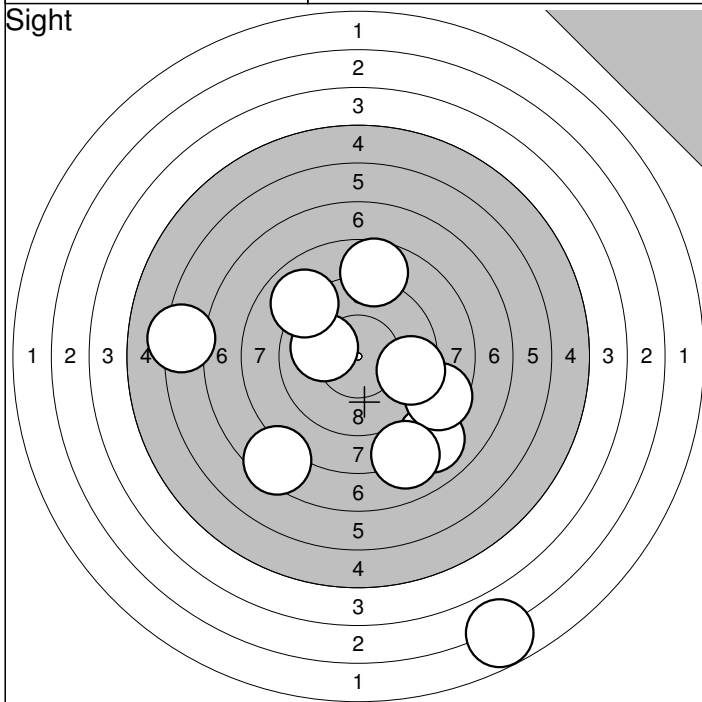
Totalt 122,0

2013-04-20

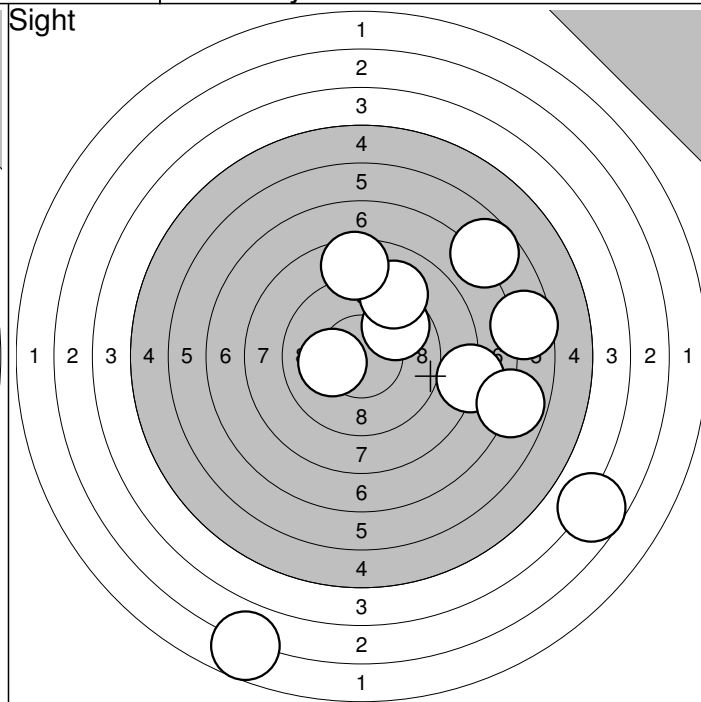
UME-Kulan 2013

Umeå skytteallians

Sight



Sight



1: 8,0 ↘  
2: 8,6 ↘  
3: 10,0 ↙  
4: 8,1 ↘  
5: 9,5 ↗

6: 9,0 ↗  
7: 2,7 ↘  
8: 7,5 ↘  
9: 6,3 ↙  
10: 8,7 ↗

Serie 75,0

Totalt 0,0

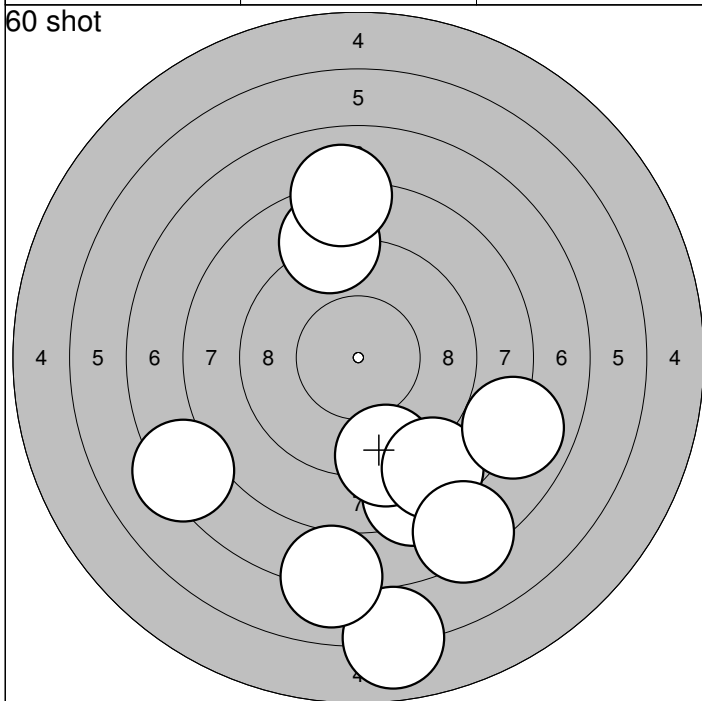
11: 10,2\* ←  
12: 6,6 →  
13: 8,0 →  
14: 3,7 ↘  
15: 9,7 ↗

16: 2,7 ↘  
17: 9,1 ↗  
18: 8,6 ↑  
19: 6,7 ↗  
20: 6,8 →

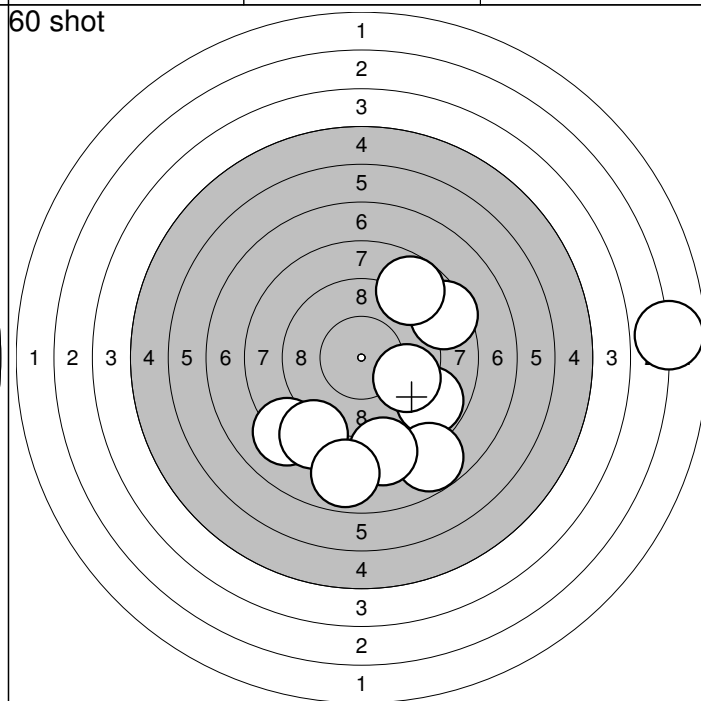
Serie 67,0

Totalt 0,0

60 shot



60 shot



1: 8,3 ↘  
2: 8,9 ↗  
3: 9,1 ↘  
4: 6,0 ↘  
5: 8,6 ↘

6: 8,1 ↑  
7: 7,3 ↘  
8: 7,3 ↙  
9: 7,9 ↗  
10: 7,1 ↘

Serie 75,0

Totalt 75,0

11: 8,8 ↘  
12: 8,5 ↗  
13: 9,6 ↗  
14: 8,2 ↙  
15: 7,8 ↘

16: 8,6 ↘  
17: 8,8 ↗  
18: 8,4 ↘  
19: 2,8 →  
20: 7,9 ↘

Serie 73,0

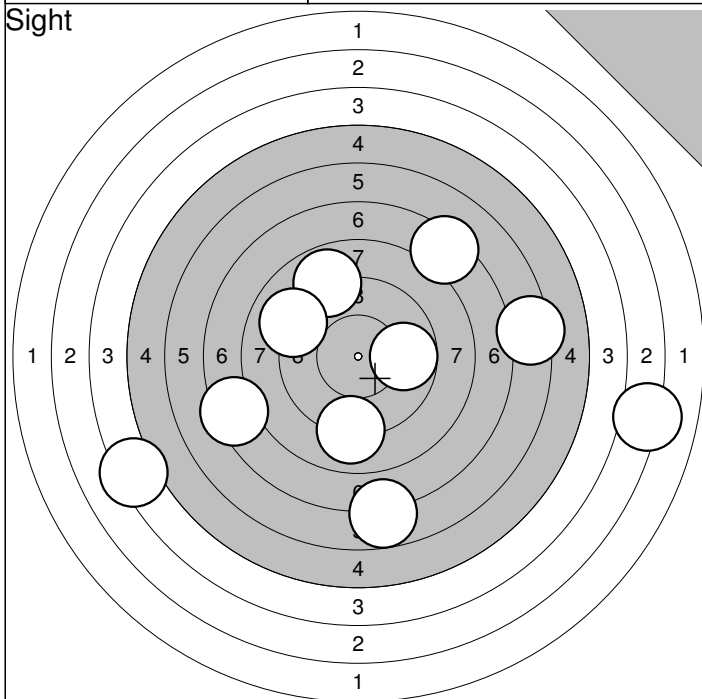
Totalt 148,0

2013-04-20

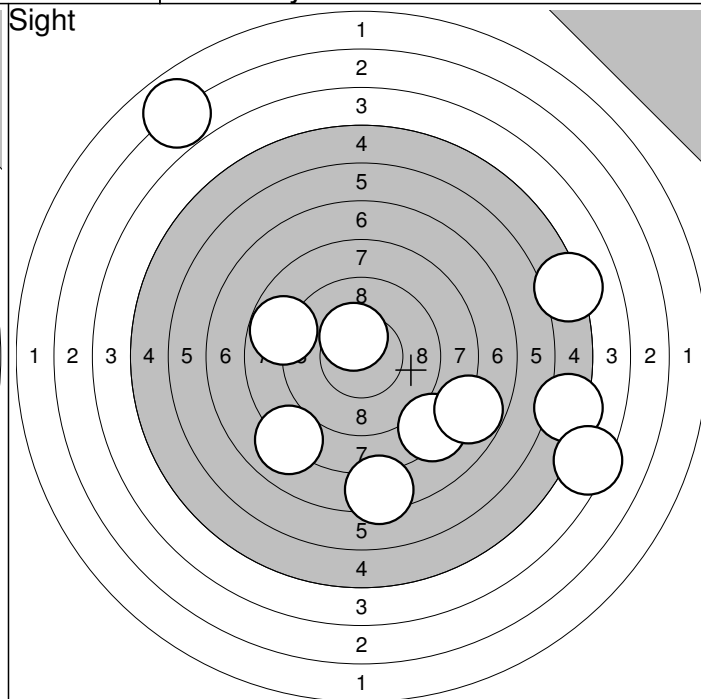
UME-Kulan 2013

Umeå skytteallians

Sight



Sight



1: 7,3 ↗  
2: 6,8 ↓  
3: 4,3 ↙  
4: 8,9 ↖  
5: 7,4 ↖

6: 9,0 ↖  
7: 9,0 ↓  
8: 9,7 →  
9: 3,2 →  
10: 6,4 →

Serie 68,0

Totalt 0,0

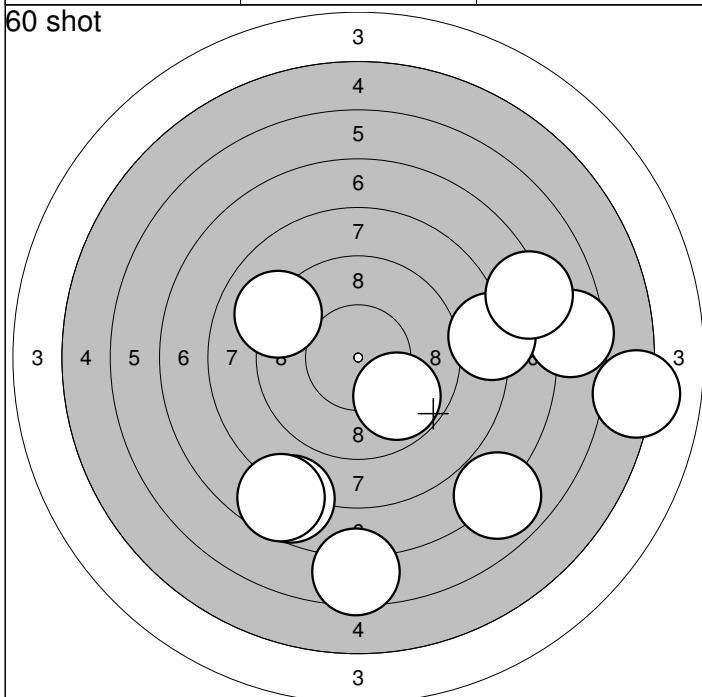
11: 7,4 ↓  
12: 10,4\* ↗  
13: 8,3 ↓  
14: 8,8 ↖  
15: 5,3 →

16: 8,0 ↙  
17: 2,9 ↗  
18: 5,2 →  
19: 7,8 ↗  
20: 4,4 ↗

Serie 64,0

Totalt 0,0

60 shot



60 shot



1: 6,6 →  
2: 7,7 ↓  
3: 6,5 ↓  
4: 8,2 →  
5: 6,9 ↓

6: 5,2 →  
7: 9,8 ↓  
8: 7,2 →  
9: 9,1 ↖  
10: 7,7 ↓

Serie 70,0

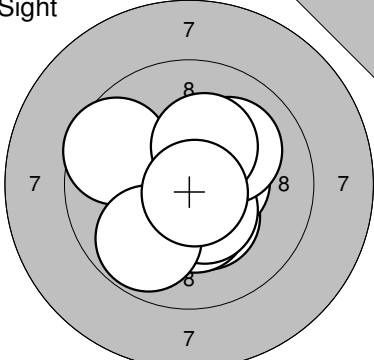
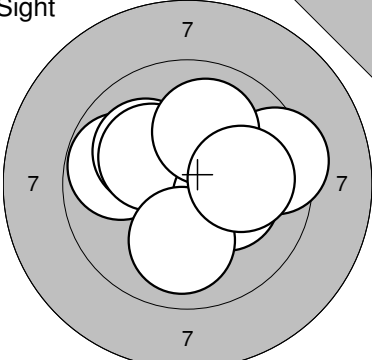
Totalt 70,0

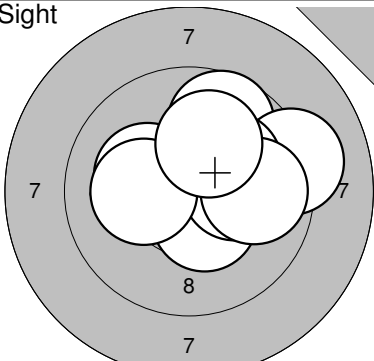
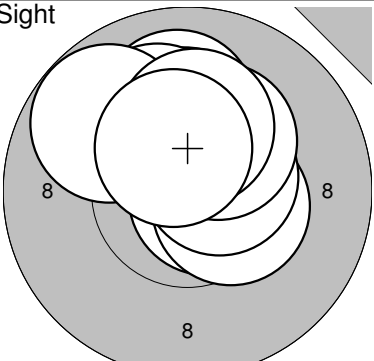
11: 6,8 →  
12: 6,7 ↓  
13: 8,0 ↓  
14: 8,6 ↓  
15: 9,0 ↓

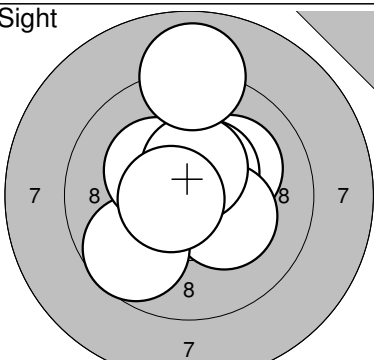
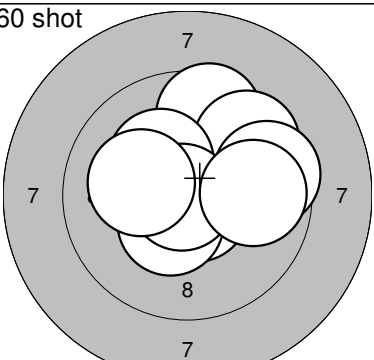
16: 8,8 ↖  
17: 7,4 →  
18: 9,2 ↓  
19: 4,8 ↖  
20: 10,1 ↓

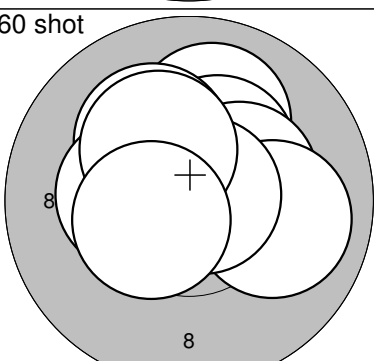
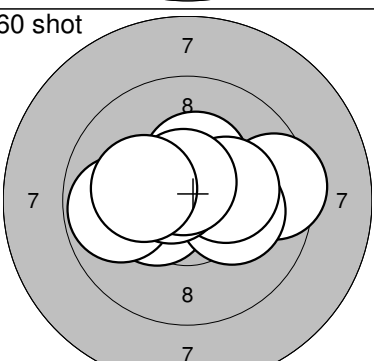
Serie 75,0

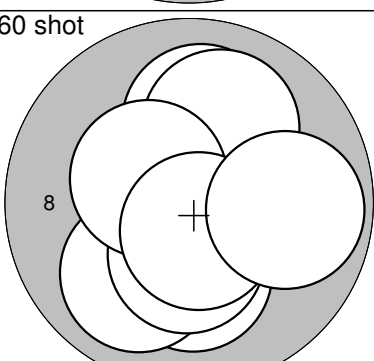
Totalt 145,0

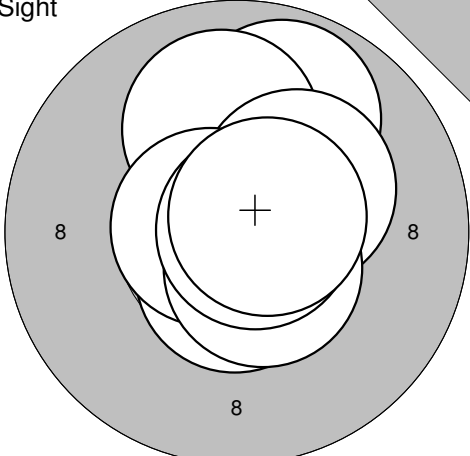
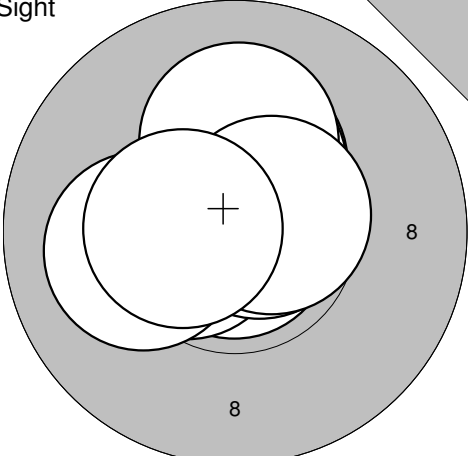
|                                                                                  |                                                                                    |                                                                                                                  |                                                                                                                        |
|----------------------------------------------------------------------------------|------------------------------------------------------------------------------------|------------------------------------------------------------------------------------------------------------------|------------------------------------------------------------------------------------------------------------------------|
| Sight                                                                            | Sight                                                                              |                                                                                                                  |                                                                                                                        |
|  |  | 1: 10,5*<br>2: 10,3*<br>3: 10,5*<br>4: 10,3*<br>5: 9,6<br>6: 10,4*<br>7: 9,8<br>8: 10,1<br>9: 10,3*<br>10: 10,8* | 11: 9,8<br>12: 10,5*<br>13: 10,1<br>14: 10,6*<br>15: 10,2*<br>16: 9,4<br>17: 10,3*<br>18: 10,0<br>19: 10,0<br>20: 10,0 |
| Serie                                                                            | 102,6                                                                              | Serie                                                                                                            | 100,9                                                                                                                  |
| Totalt                                                                           | 0,0                                                                                | Totalt                                                                                                           | 0,0                                                                                                                    |

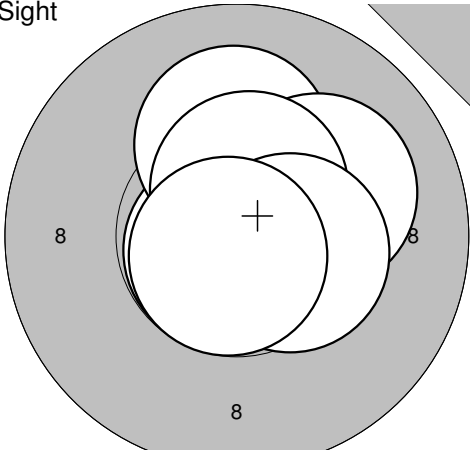
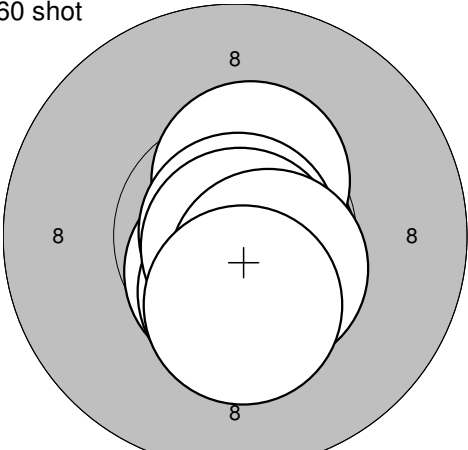
|                                                                                  |                                                                                    |                                                                                                                         |                                                                                                                            |
|----------------------------------------------------------------------------------|------------------------------------------------------------------------------------|-------------------------------------------------------------------------------------------------------------------------|----------------------------------------------------------------------------------------------------------------------------|
| Sight                                                                            | Sight                                                                              |                                                                                                                         |                                                                                                                            |
|  |  | 21: 9,7<br>22: 10,4*<br>23: 10,3*<br>24: 9,2<br>25: 10,2*<br>26: 10,2*<br>27: 9,8<br>28: 10,2*<br>29: 10,2*<br>30: 10,1 | 31: 10,0<br>32: 10,7*<br>33: 10,2*<br>34: 10,1<br>35: 10,4*<br>36: 9,8<br>37: 10,5*<br>38: 10,3*<br>39: 10,2*<br>40: 10,4* |
| Serie                                                                            | 100,3                                                                              | Serie                                                                                                                   | 102,6                                                                                                                      |
| Totalt                                                                           | 0,0                                                                                | Totalt                                                                                                                  | 0,0                                                                                                                        |

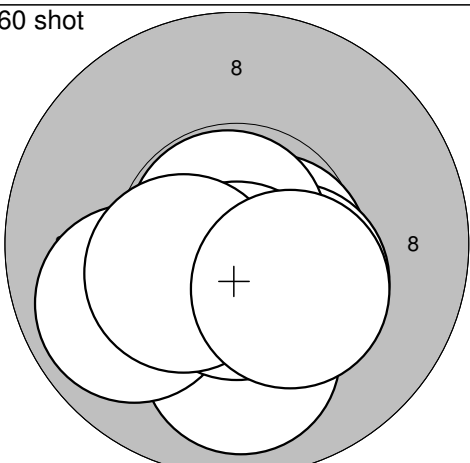
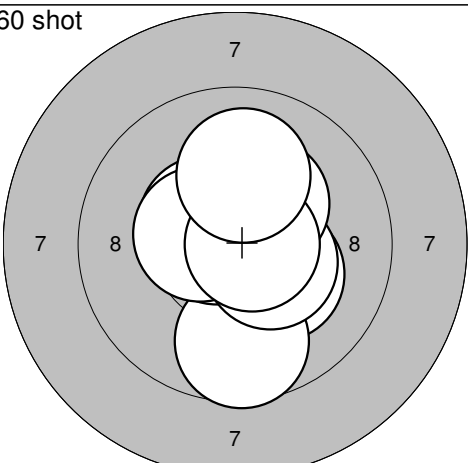
|                                                                                   |                                                                                     |                                                                                                                           |                                                                                                               |
|-----------------------------------------------------------------------------------|-------------------------------------------------------------------------------------|---------------------------------------------------------------------------------------------------------------------------|---------------------------------------------------------------------------------------------------------------|
| Sight                                                                             | 60 shot                                                                             |                                                                                                                           |                                                                                                               |
|  |  | 41: 10,1<br>42: 10,8*<br>43: 10,5*<br>44: 10,5*<br>45: 10,3*<br>46: 9,7<br>47: 10,3*<br>48: 10,5*<br>49: 9,0<br>50: 10,6* | 1: 10,4*<br>2: 9,6<br>3: 10,7*<br>4: 9,6<br>5: 10,2*<br>6: 10,4*<br>7: 9,6<br>8: 10,9*<br>9: 9,8<br>10: 10,2* |
| Serie                                                                             | 102,3                                                                               | Serie                                                                                                                     | 101,4                                                                                                         |
| Totalt                                                                            | 0,0                                                                                 | Totalt                                                                                                                    | 101,4                                                                                                         |

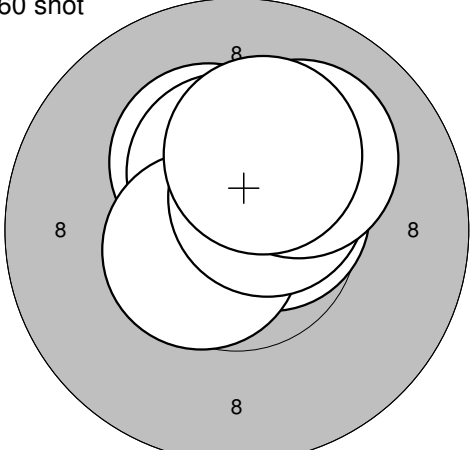
|                                                                                    |                                                                                      |                                                                                                                              |                                                                                                                            |
|------------------------------------------------------------------------------------|--------------------------------------------------------------------------------------|------------------------------------------------------------------------------------------------------------------------------|----------------------------------------------------------------------------------------------------------------------------|
| 60 shot                                                                            | 60 shot                                                                              |                                                                                                                              |                                                                                                                            |
|  |  | 11: 10,0<br>12: 10,3*<br>13: 10,3*<br>14: 10,2*<br>15: 10,4*<br>16: 10,3*<br>17: 10,0<br>18: 10,8*<br>19: 10,3*<br>20: 10,5* | 21: 10,3*<br>22: 10,4*<br>23: 9,5<br>24: 10,3*<br>25: 10,2*<br>26: 9,8<br>27: 10,3*<br>28: 10,6*<br>29: 10,6*<br>30: 10,2* |
| Serie                                                                              | 103,1                                                                                | Serie                                                                                                                        | 102,2                                                                                                                      |
| Totalt                                                                             | 204,5                                                                                | Totalt                                                                                                                       | 306,7                                                                                                                      |

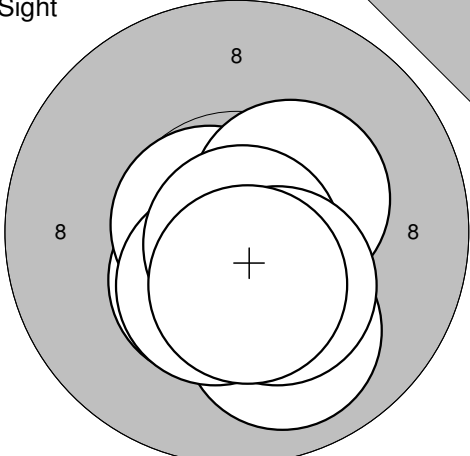
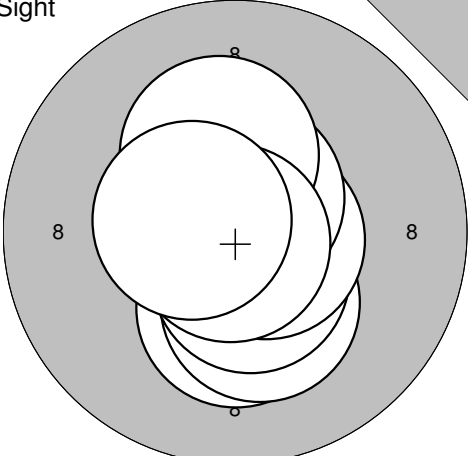
|                                                                                    |                                                                                                                          |  |  |
|------------------------------------------------------------------------------------|--------------------------------------------------------------------------------------------------------------------------|--|--|
| 60 shot                                                                            |                                                                                                                          |  |  |
|  | 31: 10,4*<br>32: 10,6*<br>33: 10,0<br>34: 10,1<br>35: 10,0<br>36: 10,0<br>37: 10,4*<br>38: 10,4*<br>39: 10,6*<br>40: 9,8 |  |  |
| Serie                                                                              | 102,3                                                                                                                    |  |  |
| Totalt                                                                             | 409,0                                                                                                                    |  |  |

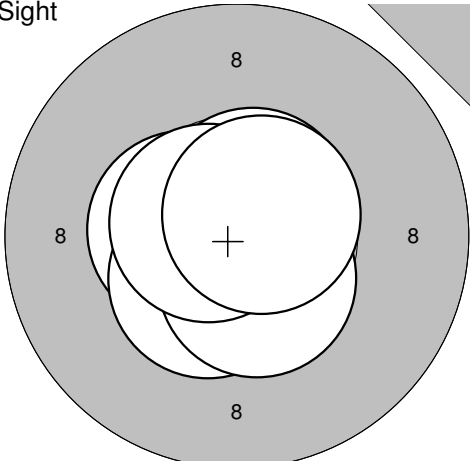
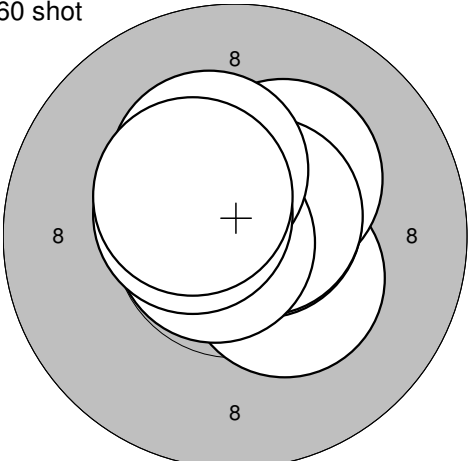
|                                                                                               |                                                                                                                                                                                          |                                                                                                 |                                                                                                                                                                                                    |
|-----------------------------------------------------------------------------------------------|------------------------------------------------------------------------------------------------------------------------------------------------------------------------------------------|-------------------------------------------------------------------------------------------------|----------------------------------------------------------------------------------------------------------------------------------------------------------------------------------------------------|
| <p>Sight</p>  | <p>1: 10,4* ↗<br/>2: 9,8 ↑<br/>3: 10,0 ↑<br/>4: 10,3* ↗<br/>5: 10,7* ↓<br/>6: 10,6* ↓<br/>7: 10,7* ←<br/>8: 10,5* ↓<br/>9: 10,8* →<br/>10: 10,6* ↗</p> <p>Serie 104,4<br/>Totalt 0,0</p> | <p>Sight</p>  | <p>11: 10,9* ↓<br/>12: 10,5* ←<br/>13: 10,7* ↖<br/>14: 10,3* ↑<br/>15: 10,4* ↑<br/>16: 10,1 ←<br/>17: 10,7* →<br/>18: 10,1 ↑<br/>19: 10,6* →<br/>20: 10,5* ←</p> <p>Serie 104,8<br/>Totalt 0,0</p> |
|-----------------------------------------------------------------------------------------------|------------------------------------------------------------------------------------------------------------------------------------------------------------------------------------------|-------------------------------------------------------------------------------------------------|----------------------------------------------------------------------------------------------------------------------------------------------------------------------------------------------------|

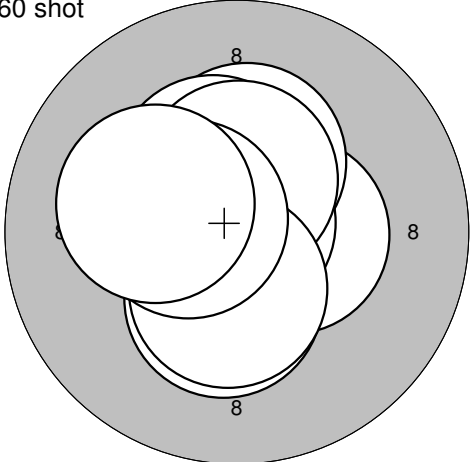
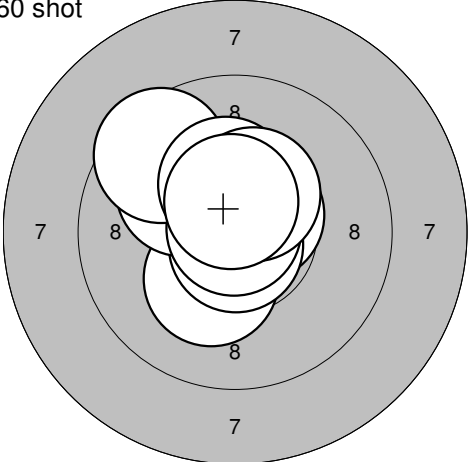
|                                                                                                |                                                                                                                                   |                                                                                                    |                                                                                                                                                                                               |
|------------------------------------------------------------------------------------------------|-----------------------------------------------------------------------------------------------------------------------------------|----------------------------------------------------------------------------------------------------|-----------------------------------------------------------------------------------------------------------------------------------------------------------------------------------------------|
| <p>Sight</p>  | <p>21: 10,8* ↙<br/>22: 10,1 ↑<br/>23: 10,1 →<br/>24: 10,5* ↑<br/>25: 10,4* →<br/>26: 10,7* ↓</p> <p>Serie 62,6<br/>Totalt 0,0</p> | <p>60 shot</p>  | <p>1: 10,4* ↓<br/>2: 10,5* ↓<br/>3: 10,6* ↓<br/>4: 10,4* ↓<br/>5: 10,7* →<br/>6: 10,4* ↑<br/>7: 10,9* ↗<br/>8: 10,8* ↓<br/>9: 10,5* ↓<br/>10: 10,3* ↓</p> <p>Serie 105,5<br/>Totalt 105,5</p> |
|------------------------------------------------------------------------------------------------|-----------------------------------------------------------------------------------------------------------------------------------|----------------------------------------------------------------------------------------------------|-----------------------------------------------------------------------------------------------------------------------------------------------------------------------------------------------|

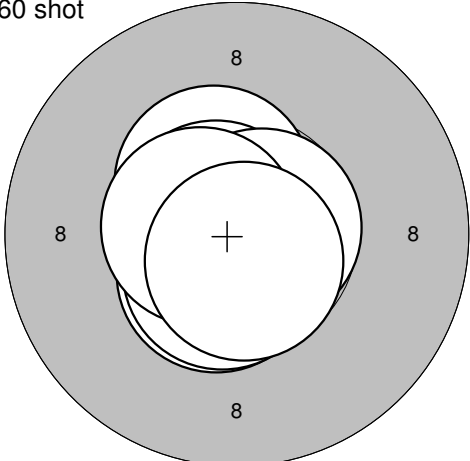
|                                                                                                   |                                                                                                                                                                                                    |                                                                                                     |                                                                                                                                                                                                     |
|---------------------------------------------------------------------------------------------------|----------------------------------------------------------------------------------------------------------------------------------------------------------------------------------------------------|-----------------------------------------------------------------------------------------------------|-----------------------------------------------------------------------------------------------------------------------------------------------------------------------------------------------------|
| <p>60 shot</p>  | <p>11: 10,6* ↓<br/>12: 9,9 ↓<br/>13: 10,6* →<br/>14: 10,7* ↙<br/>15: 9,9 ←<br/>16: 10,4* ↓<br/>17: 10,8* ↗<br/>18: 10,6* ↓<br/>19: 10,4* ←<br/>20: 10,3* ↘</p> <p>Serie 104,2<br/>Totalt 209,7</p> | <p>60 shot</p>  | <p>21: 10,3* ↘<br/>22: 10,6* ↗<br/>23: 9,7 ↓<br/>24: 10,7* ↖<br/>25: 10,5* ↗<br/>26: 10,4* →<br/>27: 10,3* ↗<br/>28: 10,5* ←<br/>29: 10,7* →<br/>30: 10,0 ↑</p> <p>Serie 103,7<br/>Totalt 313,4</p> |
|---------------------------------------------------------------------------------------------------|----------------------------------------------------------------------------------------------------------------------------------------------------------------------------------------------------|-----------------------------------------------------------------------------------------------------|-----------------------------------------------------------------------------------------------------------------------------------------------------------------------------------------------------|

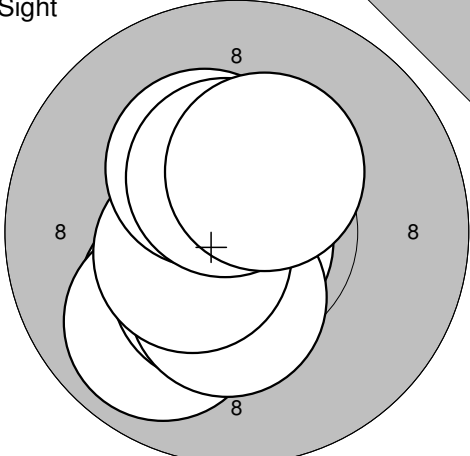
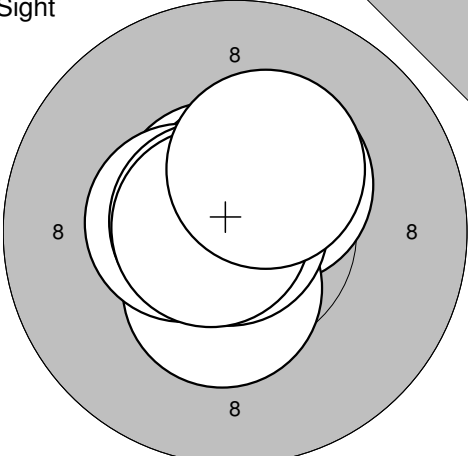
|                                                                                                   |                                                                                                                                                                                                       |  |  |
|---------------------------------------------------------------------------------------------------|-------------------------------------------------------------------------------------------------------------------------------------------------------------------------------------------------------|--|--|
| <p>60 shot</p>  | <p>31: 10,3* ↑<br/>32: 10,7* ↑<br/>33: 10,6* ↑<br/>34: 10,3* ↖<br/>35: 10,6* →<br/>36: 10,4* ↑<br/>37: 10,6* ←<br/>38: 10,5* ↗<br/>39: 10,1 ↗<br/>40: 10,2* ↑</p> <p>Serie 104,3<br/>Totalt 417,7</p> |  |  |
|---------------------------------------------------------------------------------------------------|-------------------------------------------------------------------------------------------------------------------------------------------------------------------------------------------------------|--|--|

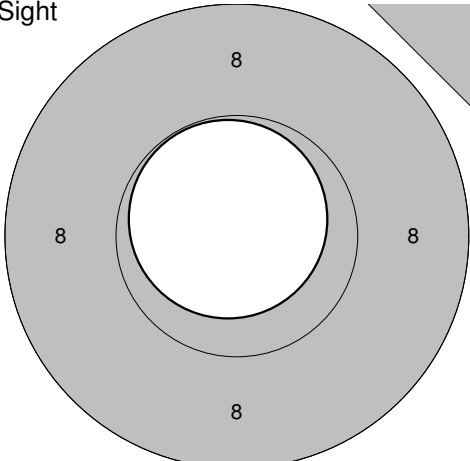
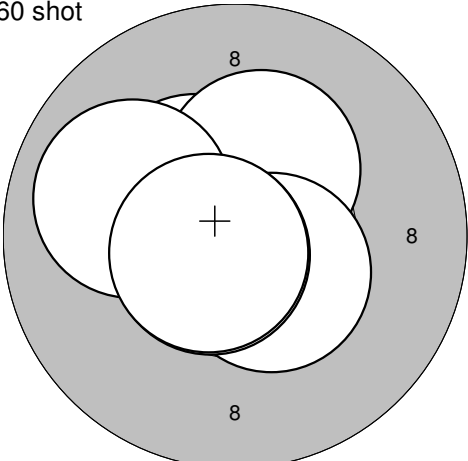
|                                                                                  |                                                                                                                                          |                                                                                    |
|----------------------------------------------------------------------------------|------------------------------------------------------------------------------------------------------------------------------------------|------------------------------------------------------------------------------------|
| Sight                                                                            |                                                                                                                                          | Sight                                                                              |
|  | 1: 10,0 ↓<br>2: 10,4* ↓<br>3: 10,5* ↓<br>4: 10,6* →<br>5: 10,7* ←<br>6: 10,4* →<br>7: 10,4* ↓<br>8: 10,8* ↓<br>9: 10,3* ↓<br>10: 10,5* ↓ |  |
|                                                                                  | Serie 104,6                                                                                                                              | Serie 105,4                                                                        |
|                                                                                  | Totalt 0,0                                                                                                                               | Totalt 0,0                                                                         |

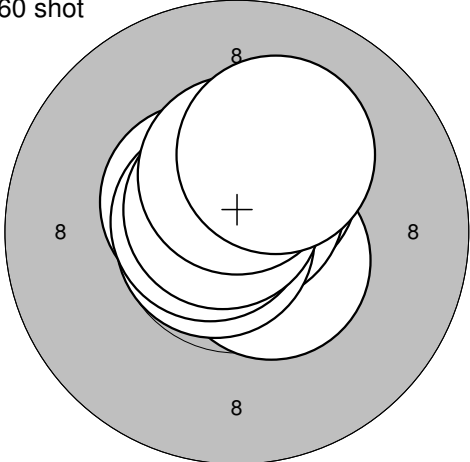
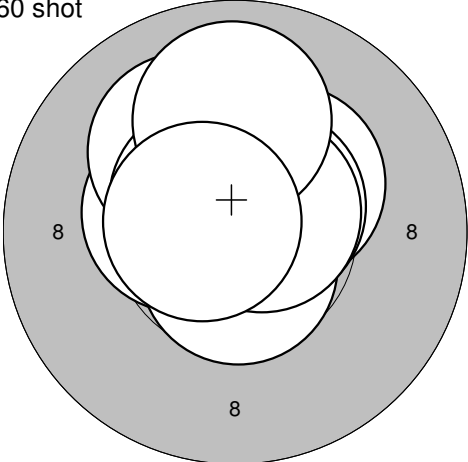
|                                                                                   |                                                                                                                      |                                                                                     |
|-----------------------------------------------------------------------------------|----------------------------------------------------------------------------------------------------------------------|-------------------------------------------------------------------------------------|
| Sight                                                                             |                                                                                                                      | 60 shot                                                                             |
|  | 21: 10,8* ←<br>22: 10,7* ↗<br>23: 10,7* ↓<br>24: 10,5* ←<br>25: 10,5* ↓<br>26: 10,5* ↓<br>27: 10,7* ←<br>28: 10,7* ↗ |  |
|                                                                                   | Serie 85,1                                                                                                           | Serie 105,6                                                                         |
|                                                                                   | Totalt 0,0                                                                                                           | Totalt 105,6                                                                        |

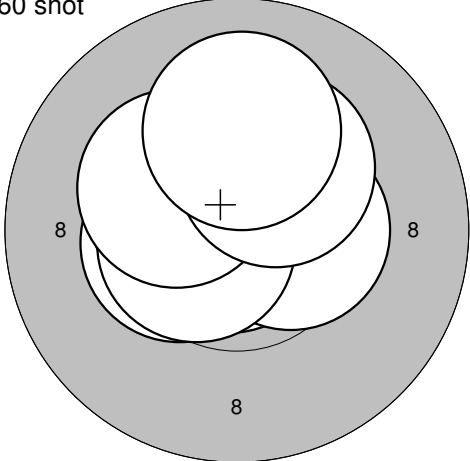
|                                                                                    |                                                                                                                                                    |                                                                                      |
|------------------------------------------------------------------------------------|----------------------------------------------------------------------------------------------------------------------------------------------------|--------------------------------------------------------------------------------------|
| 60 shot                                                                            |                                                                                                                                                    | 60 shot                                                                              |
|  | 11: 10,5* →<br>12: 10,3* ↓<br>13: 10,3* ↑<br>14: 10,7* ←<br>15: 10,9* ↑<br>16: 10,4* ↗<br>17: 10,5* ↑<br>18: 10,4* ↓<br>19: 10,5* ←<br>20: 10,2* ← |  |
|                                                                                    | Serie 104,7                                                                                                                                        | Serie 103,8                                                                          |
|                                                                                    | Totalt 210,3                                                                                                                                       | Totalt 314,1                                                                         |

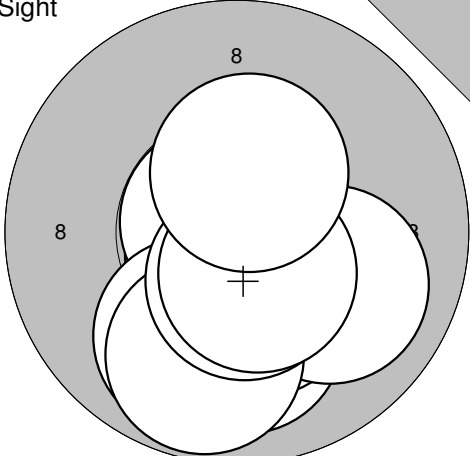
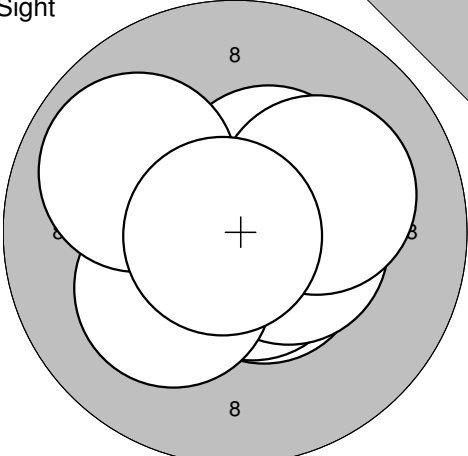
|                                                                                    |                                                                                                                                                    |  |
|------------------------------------------------------------------------------------|----------------------------------------------------------------------------------------------------------------------------------------------------|--|
| 60 shot                                                                            |                                                                                                                                                    |  |
|  | 31: 10,5* ↗<br>32: 10,8* ←<br>33: 10,9* ↗<br>34: 10,8* ←<br>35: 10,6* ↓<br>36: 10,7* ↗<br>37: 10,7* →<br>38: 10,6* ↓<br>39: 10,6* ←<br>40: 10,7* ↓ |  |
|                                                                                    | Serie 106,9                                                                                                                                        |  |
|                                                                                    | Totalt 421,0                                                                                                                                       |  |

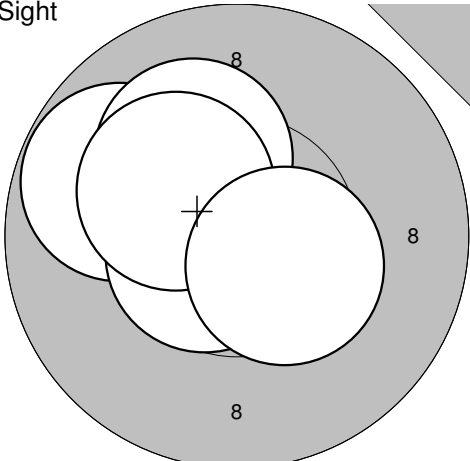
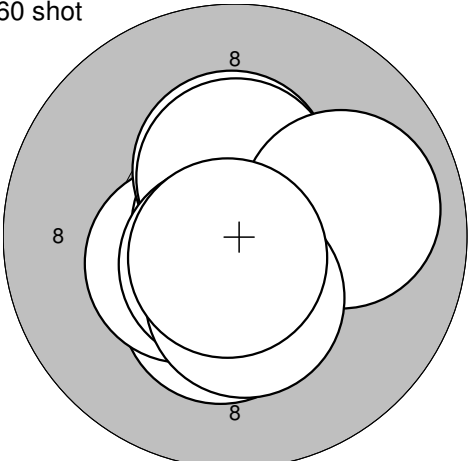
|                                                                                  |                                                                                                                                         |                                                                                    |                                                                                                                                                    |
|----------------------------------------------------------------------------------|-----------------------------------------------------------------------------------------------------------------------------------------|------------------------------------------------------------------------------------|----------------------------------------------------------------------------------------------------------------------------------------------------|
| Sight                                                                            |                                                                                                                                         | Sight                                                                              |                                                                                                                                                    |
|  | 1: 10,2* ↙<br>2: 9,9 ↘<br>3: 10,4* ↘<br>4: 10,9* ↓<br>5: 10,6* ↙<br>6: 10,3* ↓<br>7: 10,5* ↙<br>8: 10,3* ↗<br>9: 10,5* ↑<br>10: 10,4* ↗ |  | 11: 10,4* ↗<br>12: 10,6* ↖<br>13: 10,4* ↓<br>14: 10,6* ↗<br>15: 10,7* ↑<br>16: 10,5* ↖<br>17: 10,9* ↗<br>18: 10,7* ↖<br>19: 10,7* ↖<br>20: 10,3* ↗ |
| Serie 104,0                                                                      |                                                                                                                                         | Serie 105,8                                                                        |                                                                                                                                                    |
| Totalt 0,0                                                                       |                                                                                                                                         | Totalt 0,0                                                                         |                                                                                                                                                    |

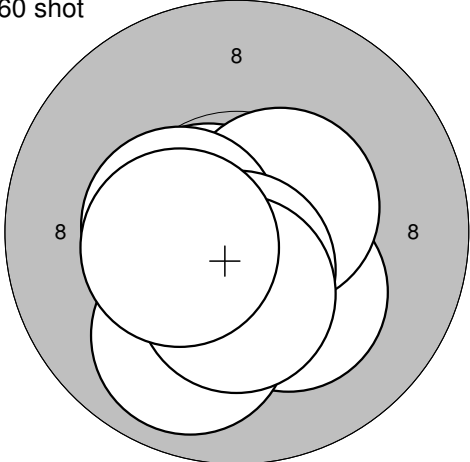
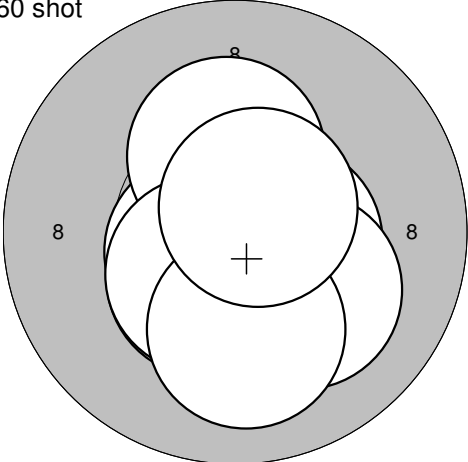
|                                                                                   |             |                                                                                     |                                                                                                                                          |
|-----------------------------------------------------------------------------------|-------------|-------------------------------------------------------------------------------------|------------------------------------------------------------------------------------------------------------------------------------------|
| Sight                                                                             |             | 60 shot                                                                             |                                                                                                                                          |
|  | 21: 10,8* ↗ |  | 1: 10,7* ↗<br>2: 10,4* ↗<br>3: 10,4* ↗<br>4: 10,8* ↖<br>5: 10,6* ↑<br>6: 10,3* ↑<br>7: 10,5* ↘<br>8: 10,0 ↖<br>9: 10,7* ↖<br>10: 10,7* ↖ |
| Serie 10,8                                                                        |             | Serie 105,1                                                                         |                                                                                                                                          |
| Totalt 0,0                                                                        |             | Totalt 105,1                                                                        |                                                                                                                                          |

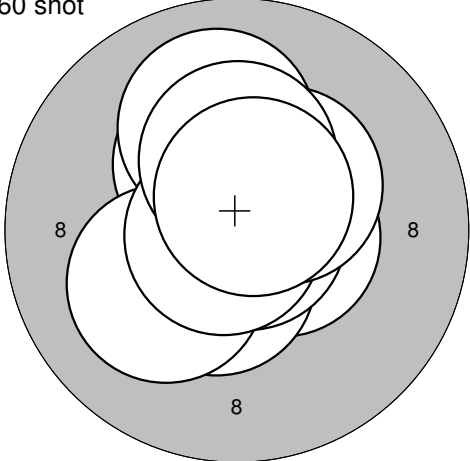
|                                                                                    |                                                                                                                                                    |                                                                                      |                                                                                                                                                 |
|------------------------------------------------------------------------------------|----------------------------------------------------------------------------------------------------------------------------------------------------|--------------------------------------------------------------------------------------|-------------------------------------------------------------------------------------------------------------------------------------------------|
| 60 shot                                                                            |                                                                                                                                                    | 60 shot                                                                              |                                                                                                                                                 |
|  | 11: 10,5* ↗<br>12: 10,8* ↖<br>13: 10,5* ↘<br>14: 10,5* ↗<br>15: 10,7* ↑<br>16: 10,7* ↖<br>17: 10,7* ↖<br>18: 10,7* ↗<br>19: 10,4* ↑<br>20: 10,2* ↗ |  | 21: 10,3* ↗<br>22: 10,8* ↗<br>23: 10,4* ↖<br>24: 10,1 ↗<br>25: 10,6* ↓<br>26: 10,6* ↗<br>27: 10,6* ↗<br>28: 10,7* ↗<br>29: 9,9 ↑<br>30: 10,6* ↖ |
| Serie 105,7                                                                        |                                                                                                                                                    | Serie 104,6                                                                          |                                                                                                                                                 |
| Totalt 210,8                                                                       |                                                                                                                                                    | Totalt 315,4                                                                         |                                                                                                                                                 |

|                                                                                    |                                                                                                                                                   |  |  |
|------------------------------------------------------------------------------------|---------------------------------------------------------------------------------------------------------------------------------------------------|--|--|
| 60 shot                                                                            |                                                                                                                                                   |  |  |
|  | 31: 10,4* ↖<br>32: 10,9* ↖<br>33: 10,5* ↖<br>34: 10,5* ↑<br>35: 10,5* →<br>36: 10,5* ↖<br>37: 10,6* ↖<br>38: 10,3* ↖<br>39: 10,3* ↗<br>40: 10,1 ↑ |  |  |
| Serie 104,6                                                                        |                                                                                                                                                   |  |  |
| Totalt 420,0                                                                       |                                                                                                                                                   |  |  |

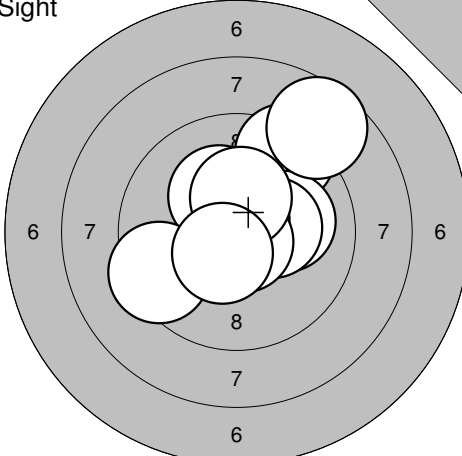
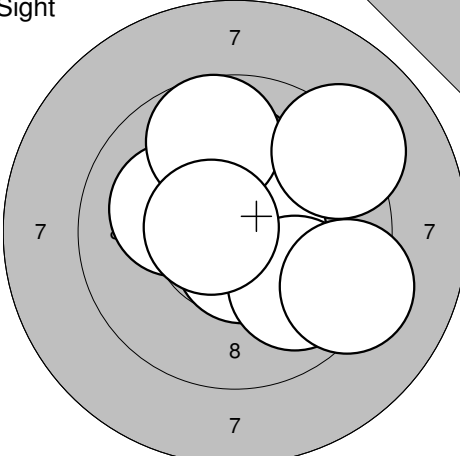
|                                                                                  |                                                                                                                                     |                                                                                    |                                                                                                                                                 |
|----------------------------------------------------------------------------------|-------------------------------------------------------------------------------------------------------------------------------------|------------------------------------------------------------------------------------|-------------------------------------------------------------------------------------------------------------------------------------------------|
| Sight                                                                            |                                                                                                                                     | Sight                                                                              |                                                                                                                                                 |
|  | 1: 10,0 ↓<br>2: 10,7* ↓<br>3: 10,8* ↗<br>4: 10,3* ↓<br>5: 9,9 ↓<br>6: 10,0 →<br>7: 9,8 ↓<br>8: 10,5* ↓<br>9: 10,5* ↓<br>10: 10,4* ↑ |  | 11: 10,8* ↗<br>12: 10,7* ↓<br>13: 10,6* ↓<br>14: 10,6* ↓<br>15: 10,4* →<br>16: 10,4* ↗<br>17: 10,2* ↙<br>18: 10,1 →<br>19: 9,9 ↗<br>20: 10,8* ↙ |
|                                                                                  | Serie 102,9                                                                                                                         |                                                                                    | Serie 104,5                                                                                                                                     |
|                                                                                  | Totalt 0,0                                                                                                                          |                                                                                    | Totalt 0,0                                                                                                                                      |

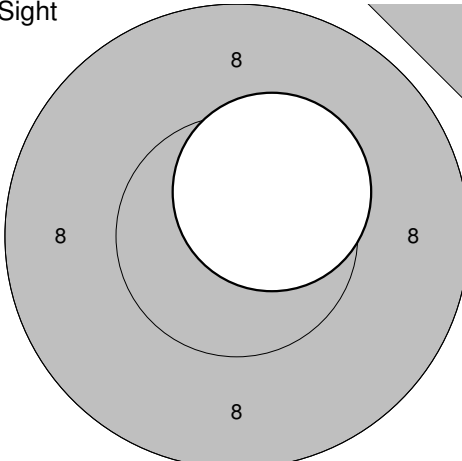
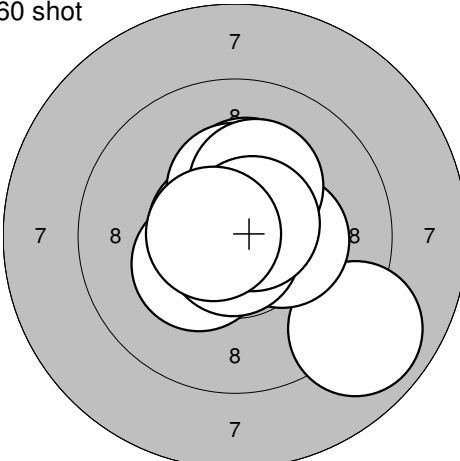
|                                                                                   |                                                                      |                                                                                     |                                                                                                                                          |
|-----------------------------------------------------------------------------------|----------------------------------------------------------------------|-------------------------------------------------------------------------------------|------------------------------------------------------------------------------------------------------------------------------------------|
| Sight                                                                             |                                                                      | 60 shot                                                                             |                                                                                                                                          |
|  | 21: 9,8 ↙<br>22: 10,1 ↗<br>23: 10,6* ↙<br>24: 10,3* ↗<br>25: 10,4* ↓ |  | 1: 10,3* ↓<br>2: 10,4* ↙<br>3: 10,9* ↗<br>4: 10,5* ↗<br>5: 10,4* ↑<br>6: 10,4* ↑<br>7: 10,0 →<br>8: 10,6* ↓<br>9: 10,4* ↓<br>10: 10,7* ↓ |
|                                                                                   | Serie 51,2                                                           |                                                                                     | Serie 104,6                                                                                                                              |
|                                                                                   | Totalt 0,0                                                           |                                                                                     | Totalt 104,6                                                                                                                             |

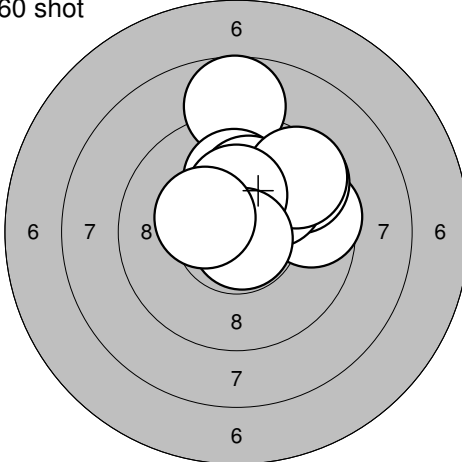
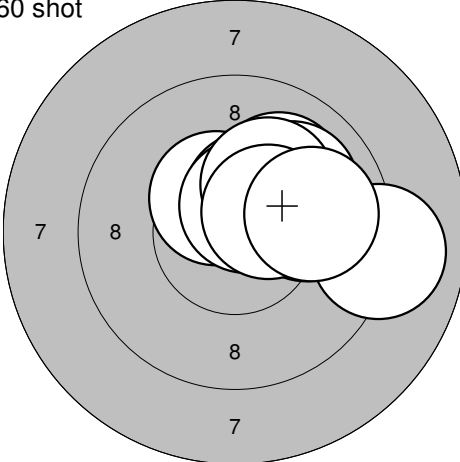
|                                                                                    |                                                                                                                                                  |                                                                                      |                                                                                                                                                  |
|------------------------------------------------------------------------------------|--------------------------------------------------------------------------------------------------------------------------------------------------|--------------------------------------------------------------------------------------|--------------------------------------------------------------------------------------------------------------------------------------------------|
| 60 shot                                                                            |                                                                                                                                                  | 60 shot                                                                              |                                                                                                                                                  |
|  | 11: 10,7* ↓<br>12: 10,2* ↓<br>13: 10,5* ↙<br>14: 10,7* ↙<br>15: 10,5* →<br>16: 10,4* ↙<br>17: 10,6* ↓<br>18: 9,9 ↓<br>19: 10,4* ↓<br>20: 10,4* ↙ |  | 21: 10,6* ↓<br>22: 10,5* ↓<br>23: 10,6* ↙<br>24: 10,5* →<br>25: 10,3* ↑<br>26: 10,3* ↓<br>27: 10,1 ↓<br>28: 10,5* ↓<br>29: 10,1 ↓<br>30: 10,6* ↗ |
|                                                                                    | Serie 104,3                                                                                                                                      |                                                                                      | Serie 104,1                                                                                                                                      |
|                                                                                    | Totalt 208,9                                                                                                                                     |                                                                                      | Totalt 313,0                                                                                                                                     |

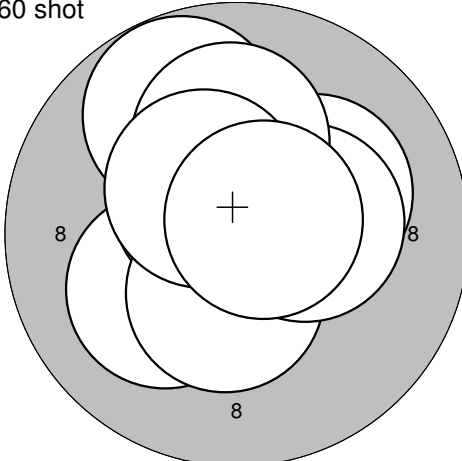
|                                                                                    |                                                                                                                                                  |  |  |
|------------------------------------------------------------------------------------|--------------------------------------------------------------------------------------------------------------------------------------------------|--|--|
| 60 shot                                                                            |                                                                                                                                                  |  |  |
|  | 31: 10,5* →<br>32: 10,5* ↓<br>33: 10,3* ↗<br>34: 10,1 ↙<br>35: 10,9* →<br>36: 10,0 ↑<br>37: 10,8* ↙<br>38: 10,4* ↗<br>39: 10,3* ↑<br>40: 10,6* ↗ |  |  |
|                                                                                    | Serie 104,4                                                                                                                                      |  |  |
|                                                                                    | Totalt 417,4                                                                                                                                     |  |  |

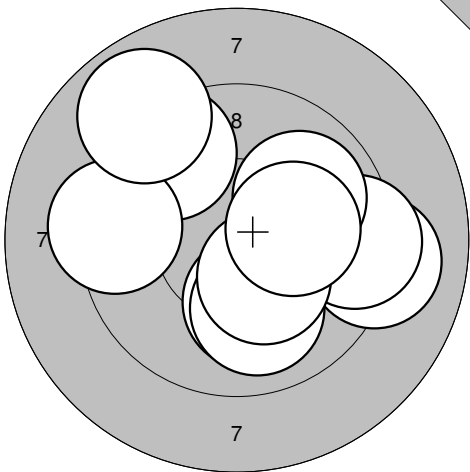
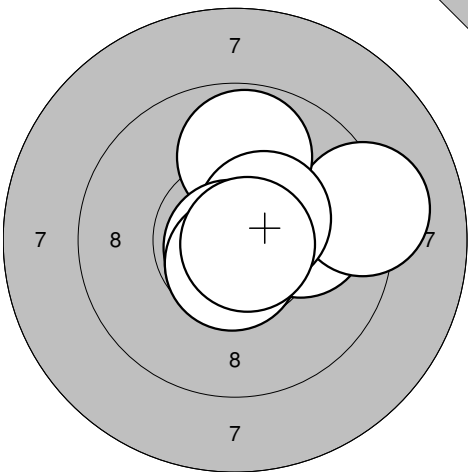


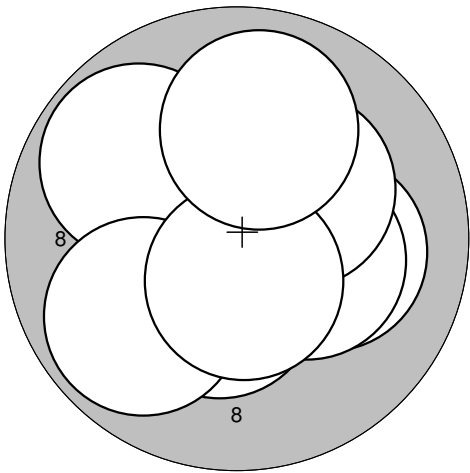
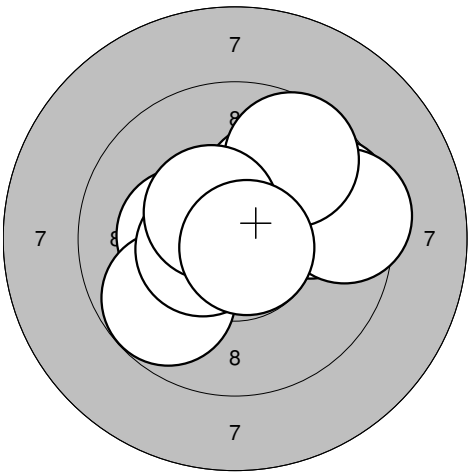
|                                                                                               |                                                                                                                                                                                                                                                                                                                                               |                                                                                                 |                                                                                                                                                                                                                                                                                                                                                     |
|-----------------------------------------------------------------------------------------------|-----------------------------------------------------------------------------------------------------------------------------------------------------------------------------------------------------------------------------------------------------------------------------------------------------------------------------------------------|-------------------------------------------------------------------------------------------------|-----------------------------------------------------------------------------------------------------------------------------------------------------------------------------------------------------------------------------------------------------------------------------------------------------------------------------------------------------|
| <p>Sight</p>  | <p>1: 9,3 ↗<br/>                 2: 10,1 →<br/>                 3: 8,6 ↗<br/>                 4: 10,3* →<br/>                 5: 10,7* ↑<br/>                 6: 10,7* ↓<br/>                 7: 10,3* ↗<br/>                 8: 9,4 ←<br/>                 9: 10,3* ↑<br/>                 10: 10,5* ↓</p> <p>Serie 100,2<br/>Totalt 0,0</p> | <p>Sight</p>  | <p>11: 10,6* ↓<br/>                 12: 10,4* ↑<br/>                 13: 10,1 ↑<br/>                 14: 10,6* →<br/>                 15: 9,9 ↓<br/>                 16: 10,1 ←<br/>                 17: 9,3 ↓<br/>                 18: 9,7 ↑<br/>                 19: 9,2 ↗<br/>                 20: 10,6* ←</p> <p>Serie 100,5<br/>Totalt 0,0</p> |
|-----------------------------------------------------------------------------------------------|-----------------------------------------------------------------------------------------------------------------------------------------------------------------------------------------------------------------------------------------------------------------------------------------------------------------------------------------------|-------------------------------------------------------------------------------------------------|-----------------------------------------------------------------------------------------------------------------------------------------------------------------------------------------------------------------------------------------------------------------------------------------------------------------------------------------------------|

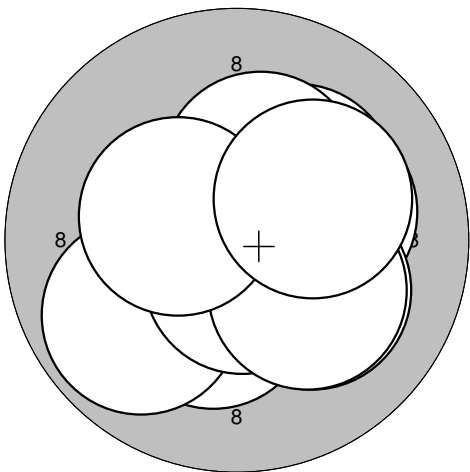
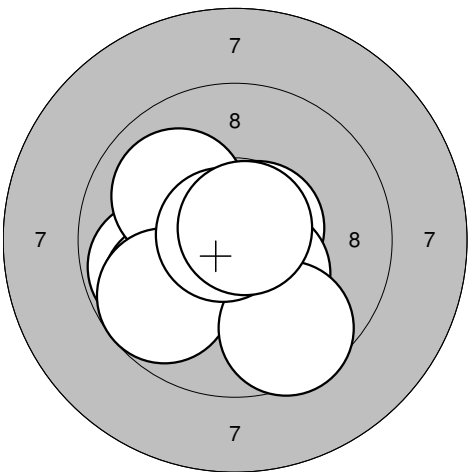
|                                                                                                |                                                     |                                                                                                    |                                                                                                                                                                                                                                                                                                                                                      |
|------------------------------------------------------------------------------------------------|-----------------------------------------------------|----------------------------------------------------------------------------------------------------|------------------------------------------------------------------------------------------------------------------------------------------------------------------------------------------------------------------------------------------------------------------------------------------------------------------------------------------------------|
| <p>Sight</p>  | <p>21: 10,4* ↗</p> <p>Serie 10,4<br/>Totalt 0,0</p> | <p>60 shot</p>  | <p>1: 10,3* ↑<br/>                 2: 10,7* ←<br/>                 3: 10,3* ↙<br/>                 4: 8,9 ↓<br/>                 5: 10,3* →<br/>                 6: 10,8* ↓<br/>                 7: 10,3* ↑<br/>                 8: 10,2* ↑<br/>                 9: 10,7* ↗<br/>                 10: 10,7* ←</p> <p>Serie 103,2<br/>Totalt 103,2</p> |
|------------------------------------------------------------------------------------------------|-----------------------------------------------------|----------------------------------------------------------------------------------------------------|------------------------------------------------------------------------------------------------------------------------------------------------------------------------------------------------------------------------------------------------------------------------------------------------------------------------------------------------------|

|                                                                                                   |                                                                                                                                                                                                                                                                                                                                                     |                                                                                                     |                                                                                                                                                                                                                                                                                                                                                          |
|---------------------------------------------------------------------------------------------------|-----------------------------------------------------------------------------------------------------------------------------------------------------------------------------------------------------------------------------------------------------------------------------------------------------------------------------------------------------|-----------------------------------------------------------------------------------------------------|----------------------------------------------------------------------------------------------------------------------------------------------------------------------------------------------------------------------------------------------------------------------------------------------------------------------------------------------------------|
| <p>60 shot</p>  | <p>11: 8,7 ↑<br/>                 12: 9,6 →<br/>                 13: 9,6 ↗<br/>                 14: 10,0 ↗<br/>                 15: 10,0 ↑<br/>                 16: 10,1 ↑<br/>                 17: 9,5 ↗<br/>                 18: 10,3* ↑<br/>                 19: 10,8* ↓<br/>                 20: 10,3* ←</p> <p>Serie 98,9<br/>Totalt 202,1</p> | <p>60 shot</p>  | <p>21: 10,0 ↗<br/>                 22: 10,0 ↗<br/>                 23: 10,4* ↗<br/>                 24: 10,5* ↑<br/>                 25: 10,6* ↑<br/>                 26: 10,0 →<br/>                 27: 10,2* ↑<br/>                 28: 9,0 →<br/>                 29: 10,4* ↗<br/>                 30: 9,9 →</p> <p>Serie 101,0<br/>Totalt 303,1</p> |
|---------------------------------------------------------------------------------------------------|-----------------------------------------------------------------------------------------------------------------------------------------------------------------------------------------------------------------------------------------------------------------------------------------------------------------------------------------------------|-----------------------------------------------------------------------------------------------------|----------------------------------------------------------------------------------------------------------------------------------------------------------------------------------------------------------------------------------------------------------------------------------------------------------------------------------------------------------|

|                                                                                                   |                                                                                                                                                                                                                                                                                                                                                             |  |  |
|---------------------------------------------------------------------------------------------------|-------------------------------------------------------------------------------------------------------------------------------------------------------------------------------------------------------------------------------------------------------------------------------------------------------------------------------------------------------------|--|--|
| <p>60 shot</p>  | <p>31: 10,2* →<br/>                 32: 10,1 ↙<br/>                 33: 10,6* ↗<br/>                 34: 10,6* ↗<br/>                 35: 10,4* ↓<br/>                 36: 9,8 ↗<br/>                 37: 10,3* →<br/>                 38: 10,1 ↑<br/>                 39: 10,4* ↗<br/>                 40: 10,7* ↗</p> <p>Serie 103,2<br/>Totalt 406,3</p> |  |  |
|---------------------------------------------------------------------------------------------------|-------------------------------------------------------------------------------------------------------------------------------------------------------------------------------------------------------------------------------------------------------------------------------------------------------------------------------------------------------------|--|--|

|                                                                                                                                                                        |                                                                                                                                                                       |  |
|------------------------------------------------------------------------------------------------------------------------------------------------------------------------|-----------------------------------------------------------------------------------------------------------------------------------------------------------------------|--|
| <p>Sight</p>                                                                           | <p>Sight</p>                                                                        |  |
| <p>1: 9,1 →</p> <p>2: 10,1 ↓</p> <p>3: 9,5 ↗</p> <p>4: 10,0 ↓</p> <p>5: 9,4 →</p> <p>6: 9,3 ←</p> <p>7: 9,9 ↗</p> <p>8: 10,3* ↓</p> <p>9: 10,2* →</p> <p>10: 8,9 ↗</p> | <p>11: 10,1 →</p> <p>12: 10,4* ↗</p> <p>13: 10,7* ↓</p> <p>14: 9,2 →</p> <p>15: 9,8 ↑</p> <p>16: 10,5* ↗</p> <p>17: 10,8* ↓</p> <p>18: 10,6* ↓</p> <p>19: 10,8* →</p> |  |
| Serie 96,7                                                                                                                                                             | Serie 92,9                                                                                                                                                            |  |
| Totalt 0,0                                                                                                                                                             | Totalt 0,0                                                                                                                                                            |  |

|                                                                                                                                                                               |                                                                                                                                                                                     |  |
|-------------------------------------------------------------------------------------------------------------------------------------------------------------------------------|-------------------------------------------------------------------------------------------------------------------------------------------------------------------------------------|--|
| <p>60 shot</p>                                                                               | <p>60 shot</p>                                                                                   |  |
| <p>1: 10,1 →</p> <p>2: 10,4* ↓</p> <p>3: 10,8* ↓</p> <p>4: 10,3* →</p> <p>5: 10,3* ↑</p> <p>6: 10,3* ↗</p> <p>7: 9,8 ↗</p> <p>8: 9,9 ↙</p> <p>9: 10,6* ↓</p> <p>10: 9,9 ↑</p> | <p>11: 10,2* ↗</p> <p>12: 10,3* ←</p> <p>13: 9,9 →</p> <p>14: 9,6 →</p> <p>15: 9,5 →</p> <p>16: 9,8 ↙</p> <p>17: 9,7 ↗</p> <p>18: 10,5* ←</p> <p>19: 10,5* ↗</p> <p>20: 10,7* ↘</p> |  |
| Serie 102,4                                                                                                                                                                   | Serie 100,7                                                                                                                                                                         |  |
| Totalt 102,4                                                                                                                                                                  | Totalt 203,1                                                                                                                                                                        |  |

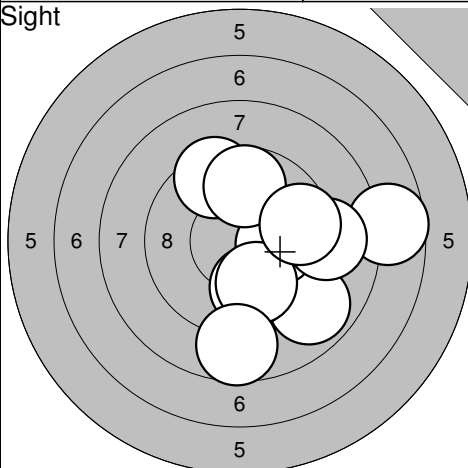
|                                                                                                                                                                                            |                                                                                                                                                                                      |  |
|--------------------------------------------------------------------------------------------------------------------------------------------------------------------------------------------|--------------------------------------------------------------------------------------------------------------------------------------------------------------------------------------|--|
| <p>60 shot</p>                                                                                           | <p>60 shot</p>                                                                                   |  |
| <p>21: 10,3* ↓</p> <p>22: 10,2* →</p> <p>23: 10,2* ↗</p> <p>24: 10,1 ↓</p> <p>25: 9,8 ↙</p> <p>26: 10,6* ↓</p> <p>27: 10,2* ↓</p> <p>28: 10,3* ↑</p> <p>29: 10,4* ←</p> <p>30: 10,2* ↗</p> | <p>31: 9,8 ←</p> <p>32: 10,6* ↗</p> <p>33: 9,9 ↙</p> <p>34: 10,5* ↗</p> <p>35: 10,0 ↗</p> <p>36: 10,4* ↓</p> <p>37: 9,7 ↙</p> <p>38: 9,6 ↓</p> <p>39: 10,8* ←</p> <p>40: 10,7* ↗</p> |  |
| Serie 102,3                                                                                                                                                                                | Serie 102,0                                                                                                                                                                          |  |
| Totalt 305,4                                                                                                                                                                               | Totalt 407,4                                                                                                                                                                         |  |

2013-04-20

UME-Kulan 2013

Umeå skytteallians

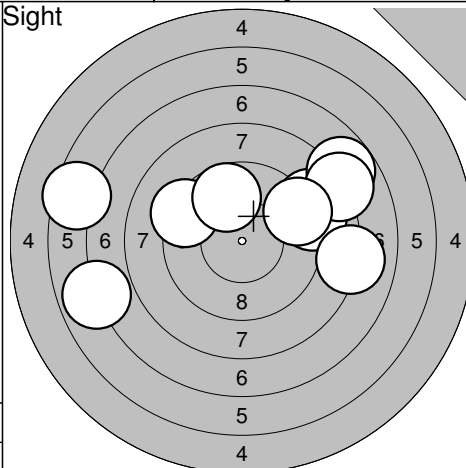
Sight



1: 8,9 ↘  
 2: 10,1 →  
 3: 7,7 →  
 4: 9,9 ↓  
 5: 10,0 ↓  
 6: 9,0 →  
 7: 9,5 ↑  
 8: 8,7 ↓  
 9: 9,8 ↑  
 10: 9,6 →

Serie 93,2  
 Totalt 0,0

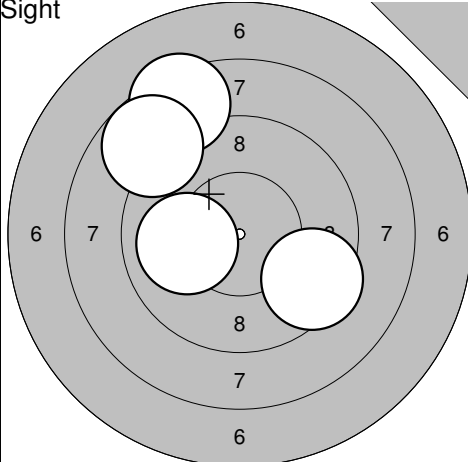
Sight



11: 6,5 ←  
 12: 8,9 ↗  
 13: 9,0 →  
 14: 7,8 ↗  
 15: 8,0 ↗  
 16: 9,3 ↗  
 17: 9,3 ↖  
 18: 6,9 ←  
 19: 8,0 →  
 20: 9,7 ↗

Serie 83,4  
 Totalt 0,0

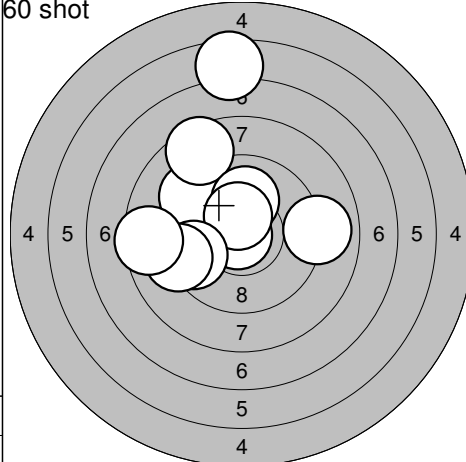
Sight



21: 9,4 ↘  
 22: 8,4 ↗  
 23: 8,8 ↗  
 24: 10,0 ←

Serie 36,6  
 Totalt 0,0

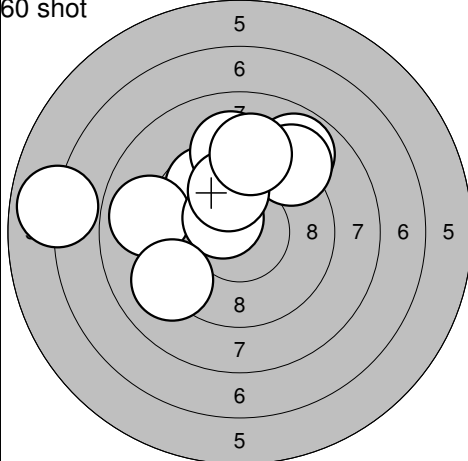
60 shot



1: 9,3 ↖  
 2: 10,8\* ←  
 3: 8,5 ↗  
 4: 9,0 →  
 5: 10,1 ↑  
 6: 10,5\* ↑  
 7: 6,5 ↑  
 8: 9,6 ←  
 9: 9,2 ←  
 10: 8,5 ←

Serie 92,0  
 Totalt 92,0

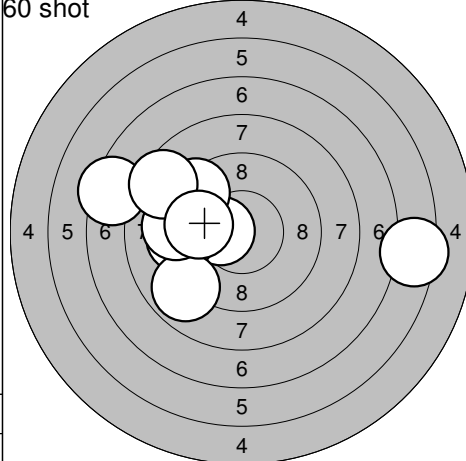
60 shot



11: 9,7 ↖  
 12: 9,2 ↑  
 13: 9,0 ←  
 14: 6,9 ←  
 15: 8,9 ↗  
 16: 10,5\* ↖  
 17: 9,1 ↗  
 18: 9,1 ↖  
 19: 10,0 ↑  
 20: 9,2 ↑

Serie 91,6  
 Totalt 183,6

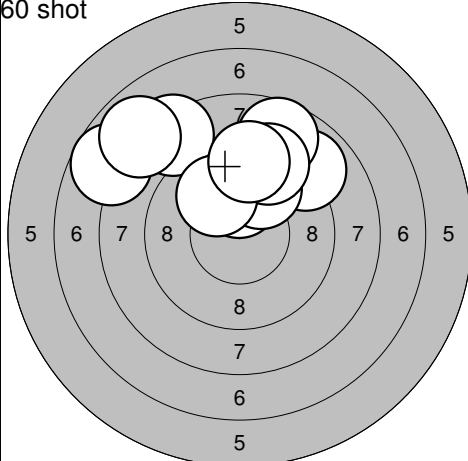
60 shot



21: 10,4\* ←  
 22: 6,4 →  
 23: 9,3 ←  
 24: 9,3 ↗  
 25: 8,9 ↖  
 26: 7,4 ←  
 27: 9,4 ↗  
 28: 9,2 ←  
 29: 8,5 ↗  
 30: 9,8 ←

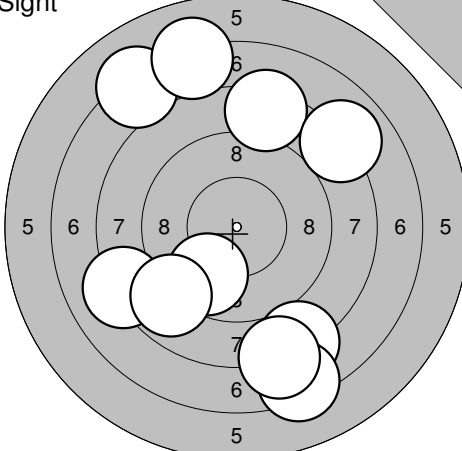
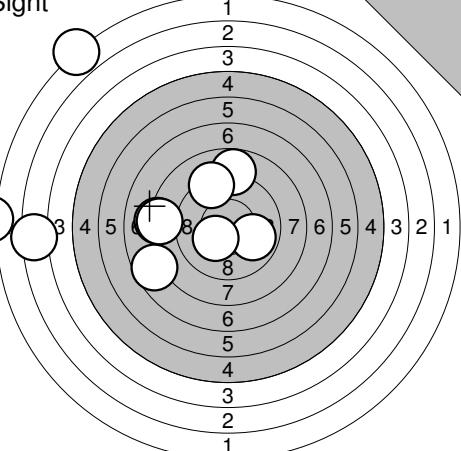
Serie 88,6  
 Totalt 272,2

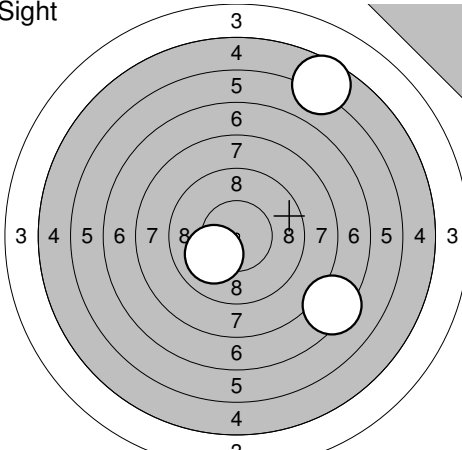
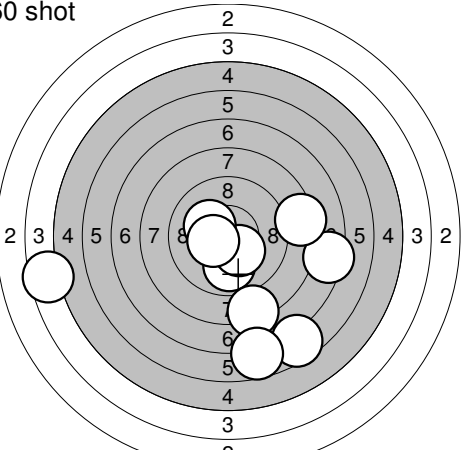
60 shot

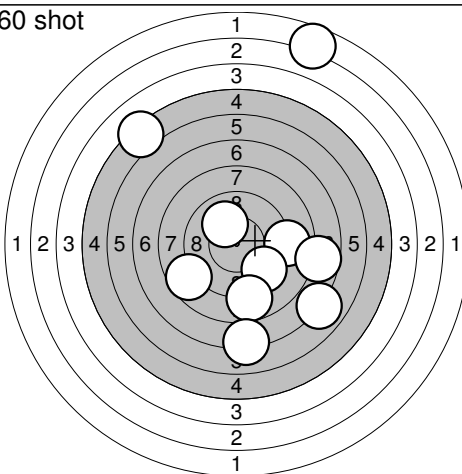
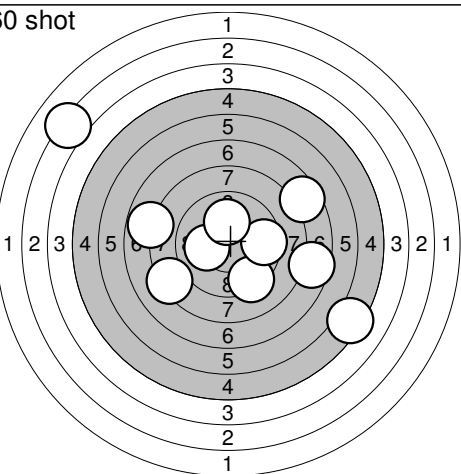


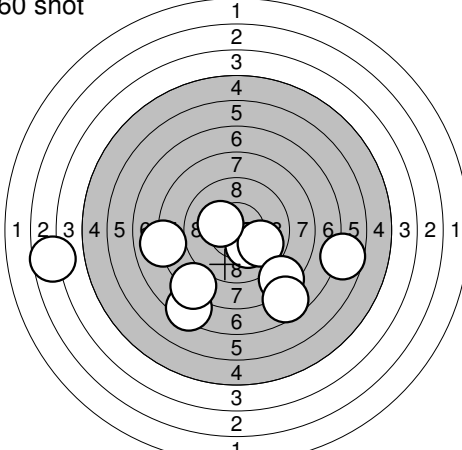
31: 8,3 ↖  
 32: 8,9 ↗  
 33: 10,1 ↑  
 34: 7,7 ↖  
 35: 7,9 ↖  
 36: 9,8 ↑  
 37: 8,7 ↑  
 38: 9,3 ↑  
 39: 10,0 ↖  
 40: 9,4 ↑

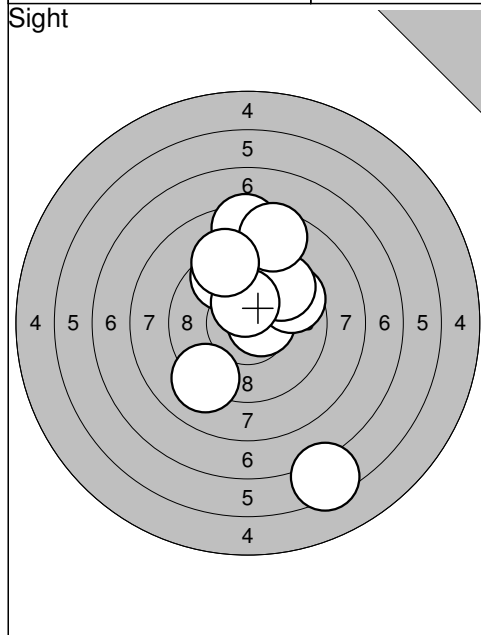
Serie 90,1  
 Totalt 362,3

|                                                                                               |                                                                                                                                                                        |                                                                                                 |                                                                                                                                                                                   |
|-----------------------------------------------------------------------------------------------|------------------------------------------------------------------------------------------------------------------------------------------------------------------------|-------------------------------------------------------------------------------------------------|-----------------------------------------------------------------------------------------------------------------------------------------------------------------------------------|
| <p>Sight</p>  | <p>1: 8,1 ↘<br/>2: 7,3 ↘<br/>3: 7,2 ↗<br/>4: 7,9 ↘<br/>5: 9,7 ↘<br/>6: 8,1 ←<br/>7: 8,3 ↑<br/>8: 8,0 ↗<br/>9: 7,1 ↑<br/>10: 8,9 ↘</p> <p>Serie 80,6<br/>Totalt 0,0</p> | <p>Sight</p>  | <p>11: 9,9 →<br/>12: 8,2 ←<br/>13: 8,8 ↑<br/>14: 7,7 ↙<br/>15: 10,3* ↙<br/>16: 1,9 ↗<br/>17: 3,4 ←<br/>18: 8,3 ←<br/>19: 1,6 ←<br/>20: 9,2 ↗</p> <p>Serie 69,3<br/>Totalt 0,0</p> |
|-----------------------------------------------------------------------------------------------|------------------------------------------------------------------------------------------------------------------------------------------------------------------------|-------------------------------------------------------------------------------------------------|-----------------------------------------------------------------------------------------------------------------------------------------------------------------------------------|

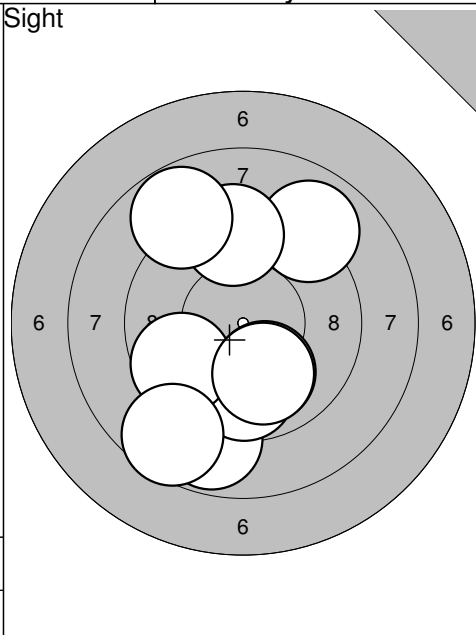
|                                                                                                |                                                                                |                                                                                                    |                                                                                                                                                                               |
|------------------------------------------------------------------------------------------------|--------------------------------------------------------------------------------|----------------------------------------------------------------------------------------------------|-------------------------------------------------------------------------------------------------------------------------------------------------------------------------------|
| <p>Sight</p>  | <p>21: 5,6 ↗<br/>22: 10,1 ↙<br/>23: 7,3 ↘</p> <p>Serie 23,0<br/>Totalt 0,0</p> | <p>60 shot</p>  | <p>1: 9,9 ↓<br/>2: 10,3* ↓<br/>3: 6,6 ↓<br/>4: 7,3 →<br/>5: 8,2 ↓<br/>6: 4,5 ←<br/>7: 10,2* ↗<br/>8: 10,4* ←<br/>9: 8,3 →<br/>10: 6,7 ↓</p> <p>Serie 82,4<br/>Totalt 82,4</p> |
|------------------------------------------------------------------------------------------------|--------------------------------------------------------------------------------|----------------------------------------------------------------------------------------------------|-------------------------------------------------------------------------------------------------------------------------------------------------------------------------------|

|                                                                                                   |                                                                                                                                                                                    |                                                                                                     |                                                                                                                                                                                     |
|---------------------------------------------------------------------------------------------------|------------------------------------------------------------------------------------------------------------------------------------------------------------------------------------|-----------------------------------------------------------------------------------------------------|-------------------------------------------------------------------------------------------------------------------------------------------------------------------------------------|
| <p>60 shot</p>  | <p>11: 2,6 ↑<br/>12: 5,2 ↗<br/>13: 9,0 →<br/>14: 9,5 ↘<br/>15: 8,7 ↘<br/>16: 8,7 ←<br/>17: 7,1 ↓<br/>18: 10,1 ↗<br/>19: 6,9 ↘<br/>20: 7,7 →</p> <p>Serie 75,5<br/>Totalt 157,9</p> | <p>60 shot</p>  | <p>21: 7,5 ↗<br/>22: 9,3 ↓<br/>23: 3,2 ↗<br/>24: 7,6 →<br/>25: 5,3 ↘<br/>26: 9,5 →<br/>27: 10,1 ←<br/>28: 7,8 ←<br/>29: 10,1 ↑<br/>30: 8,3 ↙</p> <p>Serie 78,7<br/>Totalt 236,6</p> |
|---------------------------------------------------------------------------------------------------|------------------------------------------------------------------------------------------------------------------------------------------------------------------------------------|-----------------------------------------------------------------------------------------------------|-------------------------------------------------------------------------------------------------------------------------------------------------------------------------------------|

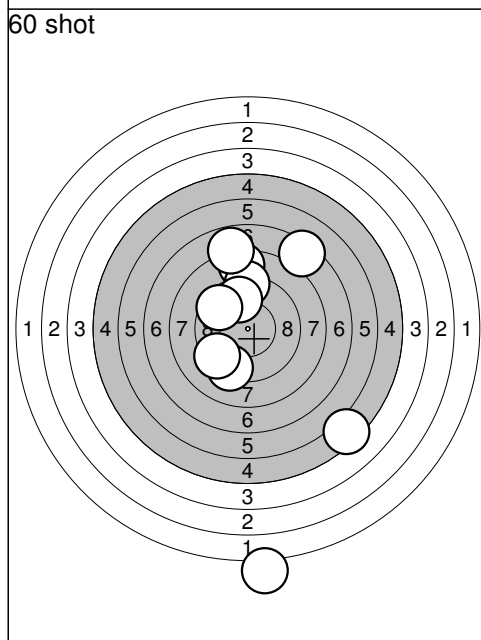
|                                                                                                   |                                                                                                                                                                                       |  |  |
|---------------------------------------------------------------------------------------------------|---------------------------------------------------------------------------------------------------------------------------------------------------------------------------------------|--|--|
| <p>60 shot</p>  | <p>31: 6,7 →<br/>32: 10,2* ↓<br/>33: 7,4 ↘<br/>34: 8,0 ←<br/>35: 9,9 ↘<br/>36: 8,2 ↘<br/>37: 8,3 ↘<br/>38: 10,3* ↗<br/>39: 3,7 ←<br/>40: 7,6 ↘</p> <p>Serie 80,3<br/>Totalt 316,9</p> |  |  |
|---------------------------------------------------------------------------------------------------|---------------------------------------------------------------------------------------------------------------------------------------------------------------------------------------|--|--|



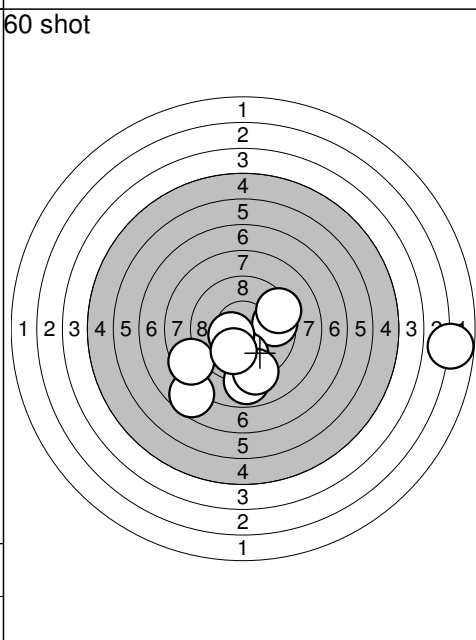
|          |      |
|----------|------|
| 1: 6,4   | ↘    |
| 2: 10,6* | →    |
| 3: 9,6   | ↗    |
| 4: 8,5   | ↑    |
| 5: 9,6   | ↗    |
| 6: 9,6   | ↗    |
| 7: 8,6   | ↑    |
| 8: 10,4* | ↑    |
| 9: 9,1   | ↙    |
| 10: 9,3  | ↗    |
| Serie    | 91,7 |
| Totalt   | 0,0  |



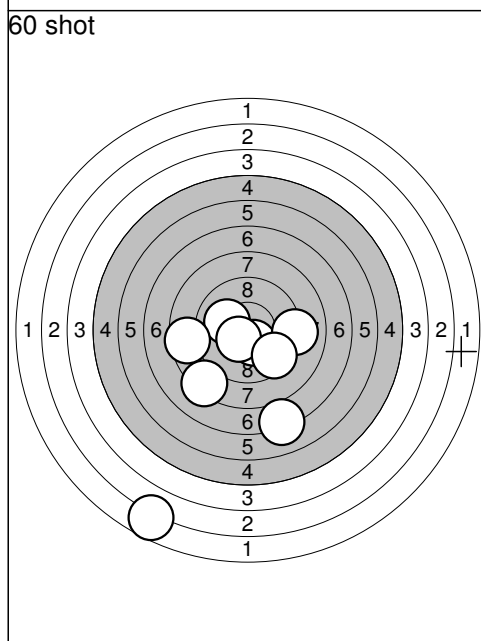
|          |      |
|----------|------|
| 11: 8,8  | ↘    |
| 12: 9,8  | ↘    |
| 13: 9,6  | ↙    |
| 14: 9,0  | ↗    |
| 15: 10,0 | ↘    |
| 16: 9,4  | ↑    |
| 17: 10,0 | ↘    |
| 18: 8,6  | ↙    |
| 19: 8,8  | ↗    |
| Serie    | 84,0 |
| Totalt   | 0,0  |



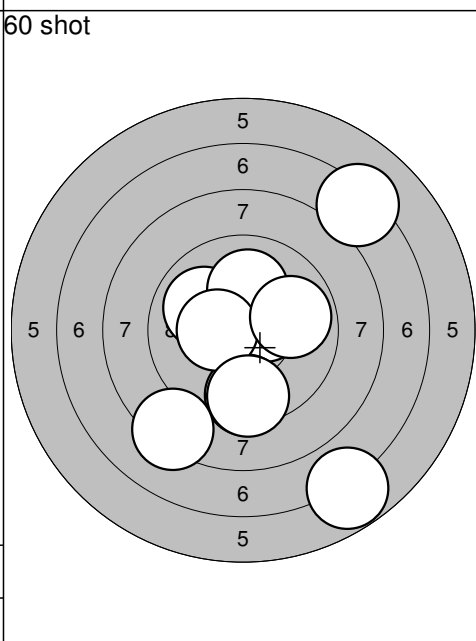
|         |      |
|---------|------|
| 1: 8,5  | ↑    |
| 2: 9,2  | ↑    |
| 3: 9,8  | ↑    |
| 4: 9,6  | ↙    |
| 5: 1,4  | ↘    |
| 6: 7,3  | ↗    |
| 7: 5,3  | ↘    |
| 8: 9,3  | ↘    |
| 9: 7,8  | ↑    |
| 10: 9,4 | ↙    |
| Serie   | 77,6 |
| Totalt  | 77,6 |



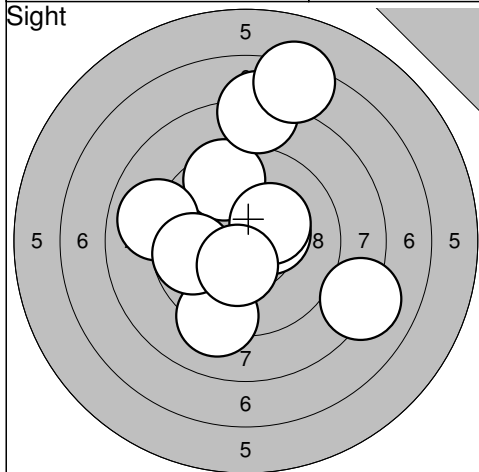
|           |       |
|-----------|-------|
| 11: 9,7   | →     |
| 12: 9,4   | ↗     |
| 13: 7,7   | ↙     |
| 14: 9,9   | ↘     |
| 15: 8,9   | ↘     |
| 16: 10,4* | ↙     |
| 17: 8,5   | ↙     |
| 18: 9,2   | ↘     |
| 19: 10,0  | ↘     |
| 20: 2,8   | →     |
| Serie     | 86,5  |
| Totalt    | 164,1 |



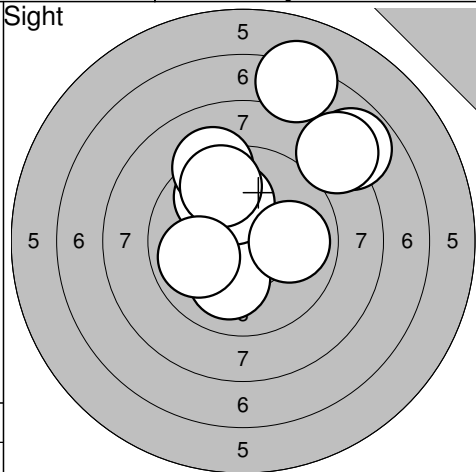
|           |       |
|-----------|-------|
| 21: 7,1   | ↘     |
| 22: 2,7   | ↙     |
| 23: 10,4* | ↘     |
| 24: 8,2   | ↙     |
| 25: 0,0   | →     |
| 26: 10,1  | ↙     |
| 27: 8,6   | ↙     |
| 28: 9,1   | →     |
| 29: 10,4* | ↙     |
| 30: 9,5   | ↘     |
| Serie     | 76,1  |
| Totalt    | 240,2 |



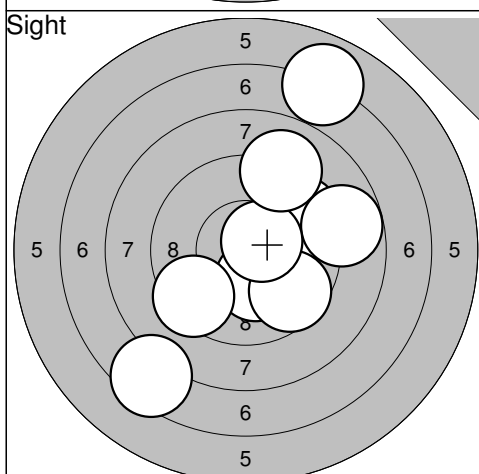
|           |       |
|-----------|-------|
| 31: 10,4* | ↗     |
| 32: 10,0  | ↙     |
| 33: 9,5   | ↘     |
| 34: 6,8   | ↘     |
| 35: 10,1  | ↑     |
| 36: 10,4* | ↙     |
| 37: 9,5   | ↘     |
| 38: 7,2   | ↗     |
| 39: 8,3   | ↙     |
| 40: 9,9   | →     |
| Serie     | 92,1  |
| Totalt    | 332,3 |



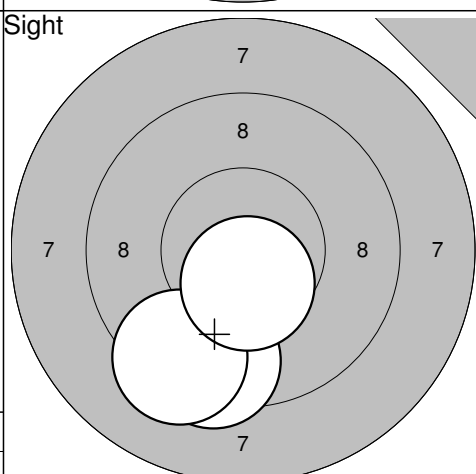
|               |             |
|---------------|-------------|
| 1: 9,2        | ↓           |
| 2: 9,5        | ↑           |
| 3: 9,0        | ←           |
| 4: 8,1        | →           |
| 5: 10,4*      | →           |
| 6: 9,8        | ←           |
| 7: 8,1        | ↑           |
| 8: 7,3        | ↑           |
| 9: 10,3*      | ↗           |
| 10: 10,4*     | ↓           |
| <b>Serie</b>  | <b>92,1</b> |
| <b>Totalt</b> | <b>0,0</b>  |



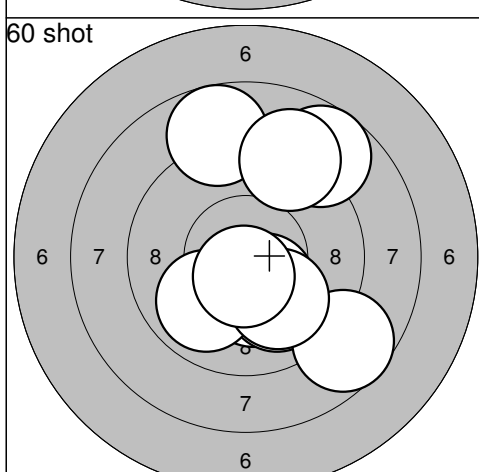
|               |             |
|---------------|-------------|
| 11: 7,3       | ↑           |
| 12: 9,8       | ↖           |
| 13: 10,1      | ↓           |
| 14: 10,1      | ↑           |
| 15: 7,8       | ↗           |
| 16: 8,1       | ↗           |
| 17: 9,2       | ↑           |
| 18: 9,7       | ↑           |
| 19: 9,9       | →           |
| 20: 9,9       | ←           |
| <b>Serie</b>  | <b>91,9</b> |
| <b>Totalt</b> | <b>0,0</b>  |



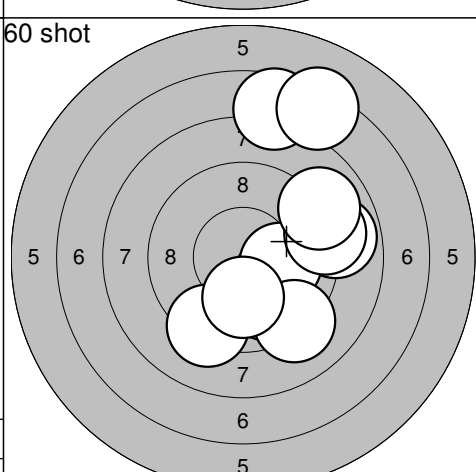
|               |             |
|---------------|-------------|
| 21: 9,5       | ↗           |
| 22: 10,3*     | →           |
| 23: 7,5       | ↓           |
| 24: 10,3*     | ↓           |
| 25: 6,9       | ↑           |
| 26: 8,8       | →           |
| 27: 9,6       | ↓           |
| 28: 10,5*     | ↗           |
| 29: 9,0       | ↑           |
| 30: 9,4       | ↙           |
| <b>Serie</b>  | <b>91,8</b> |
| <b>Totalt</b> | <b>0,0</b>  |



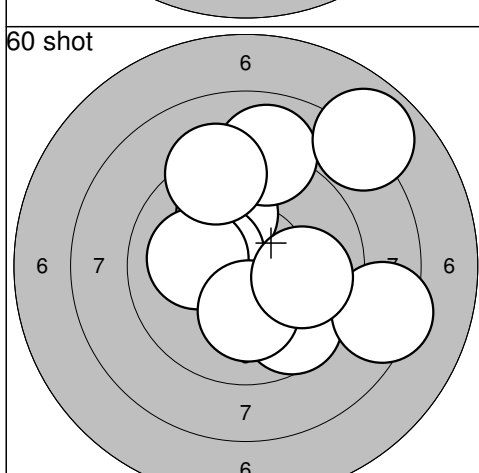
|               |             |
|---------------|-------------|
| 31: 9,4       | ↓           |
| 32: 9,3       | ↓           |
| 33: 10,5*     | ↓           |
| <b>Serie</b>  | <b>29,2</b> |
| <b>Totalt</b> | <b>0,0</b>  |



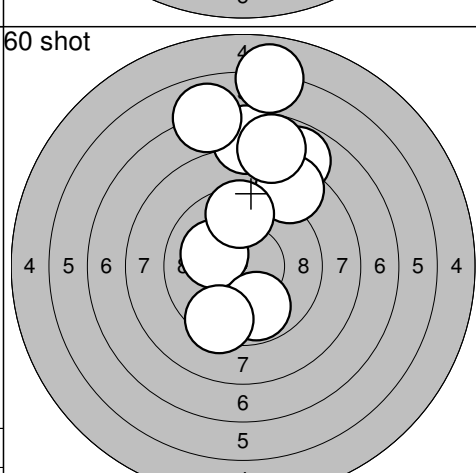
|               |             |
|---------------|-------------|
| 1: 10,2*      | ↓           |
| 2: 10,4*      | ↓           |
| 3: 8,7        | ↗           |
| 4: 10,0       | ↓           |
| 5: 8,8        | ↑           |
| 6: 9,9        | ↙           |
| 7: 8,7        | ↓           |
| 8: 9,1        | ↑           |
| 9: 10,0       | ↓           |
| 10: 10,6*     | ↓           |
| <b>Serie</b>  | <b>96,4</b> |
| <b>Totalt</b> | <b>96,4</b> |



|               |              |
|---------------|--------------|
| 11: 8,9       | →            |
| 12: 9,9       | ↓            |
| 13: 7,6       | ↑            |
| 14: 10,1      | →            |
| 15: 9,1       | ↓            |
| 16: 9,1       | →            |
| 17: 9,0       | ↗            |
| 18: 7,3       | ↑            |
| 19: 9,3       | ↓            |
| 20: 10,1      | ↓            |
| <b>Serie</b>  | <b>90,4</b>  |
| <b>Totalt</b> | <b>186,8</b> |



|               |              |
|---------------|--------------|
| 21: 10,0      | ↑            |
| 22: 10,4*     | ←            |
| 23: 10,1      | ←            |
| 24: 9,6       | ↓            |
| 25: 10,2*     | ↓            |
| 26: 9,0       | ↑            |
| 27: 8,4       | →            |
| 28: 9,9       | →            |
| 29: 9,2       | ↑            |
| 30: 7,9       | ↗            |
| <b>Serie</b>  | <b>94,7</b>  |
| <b>Totalt</b> | <b>281,5</b> |



|               |              |
|---------------|--------------|
| 31: 7,6       | ↑            |
| 32: 7,9       | ↑            |
| 33: 6,0       | ↑            |
| 34: 10,1      | ←            |
| 35: 7,0       | ↑            |
| 36: 8,6       | ↗            |
| 37: 9,8       | ↓            |
| 38: 7,8       | ↑            |
| 39: 9,4       | ↓            |
| 40: 9,6       | ↑            |
| <b>Serie</b>  | <b>83,8</b>  |
| <b>Totalt</b> | <b>365,3</b> |

S

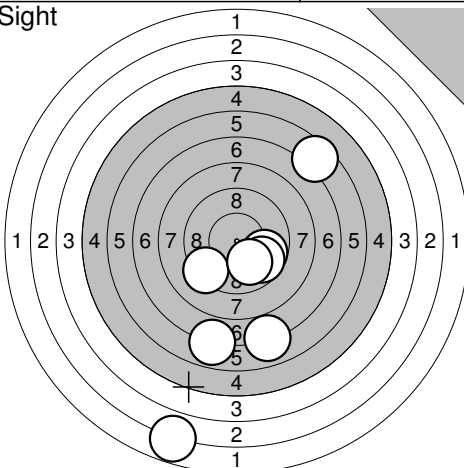
Ramselefors

2013-04-20

UME-Kulan 2013

Umeå skytteallians

Sight

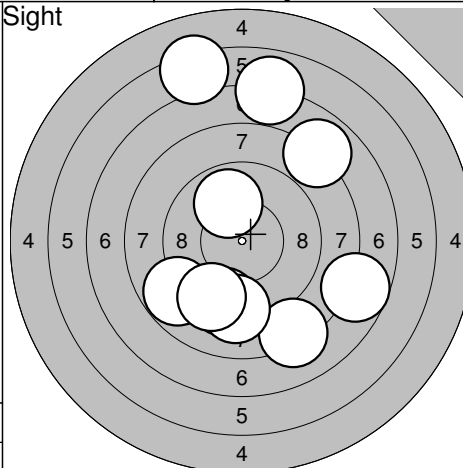


1: 0,0 →  
 2: 0,0 ↙  
 3: 2,8 ↓  
 4: 6,5 ↗  
 5: 9,8 →  
 6: 9,3 ↙  
 7: 9,7 ↘  
 8: 10,0 ↓  
 9: 6,9 ↓  
 10: 6,9 ↓

Serie 61,9

Totalt 0,0

Sight

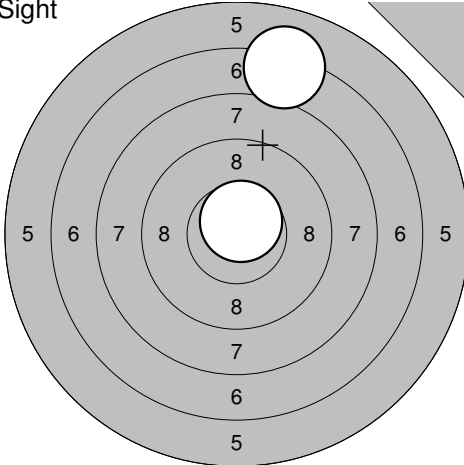


11: 8,8 ↙  
 12: 8,2 ↘  
 13: 9,9 ↑  
 14: 7,7 →  
 15: 9,3 ↓  
 16: 7,9 ↗  
 17: 9,2 ↓  
 18: 6,9 ↑  
 19: 9,3 ↓  
 20: 6,3 ↑

Serie 83,5

Totalt 0,0

Sight

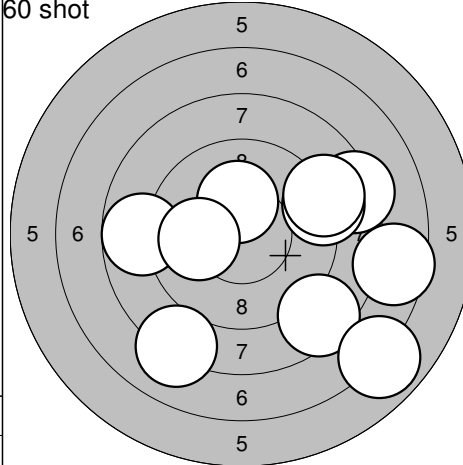


21: 10,7\* ↑  
 22: 7,1 ↑

Serie 17,8

Totalt 0,0

60 shot

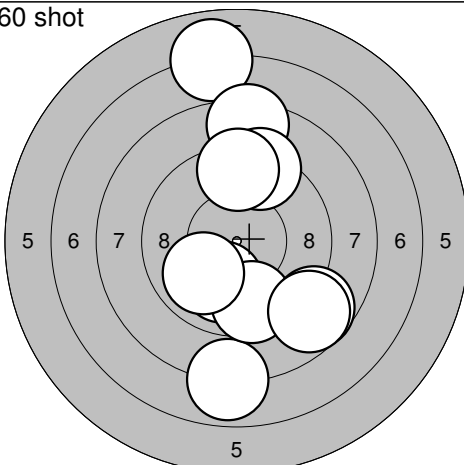


1: 10,2\* ↑  
 2: 8,8 ←  
 3: 8,5 ↘  
 4: 8,3 →  
 5: 7,6 →  
 6: 6,9 ↘  
 7: 9,0 →  
 8: 9,0 →  
 9: 10,0 ←  
 10: 8,1 ↓

Serie 86,4

Totalt 86,4

60 shot

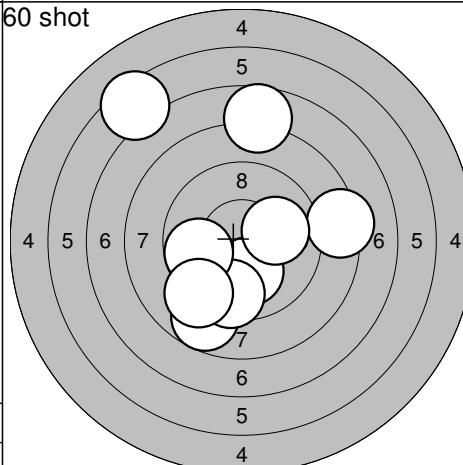


11: 7,9 ↓  
 12: 6,9 ↑  
 13: 10,0 ↓  
 14: 8,4 ↑  
 15: 9,6 ↓  
 16: 9,3 ↑  
 17: 8,7 ↘  
 18: 9,4 ↑  
 19: 8,7 ↘  
 20: 9,9 ↙

Serie 88,8

Totalt 175,2

60 shot

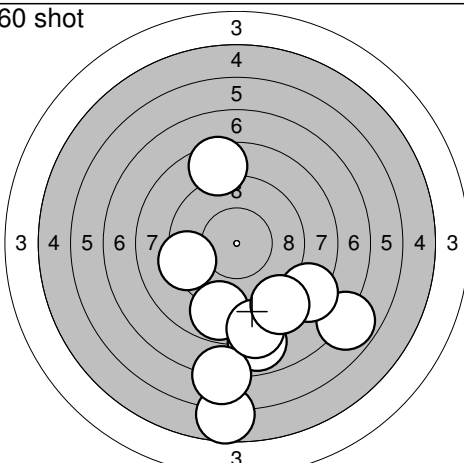


21: 10,0 ↓  
 22: 7,7 ↑  
 23: 10,1 ↓  
 24: 8,3 →  
 25: 8,7 ↓  
 26: 9,5 ↓  
 27: 9,8 ←  
 28: 10,0 →  
 29: 9,2 ↙  
 30: 6,4 ↗

Serie 89,7

Totalt 264,9

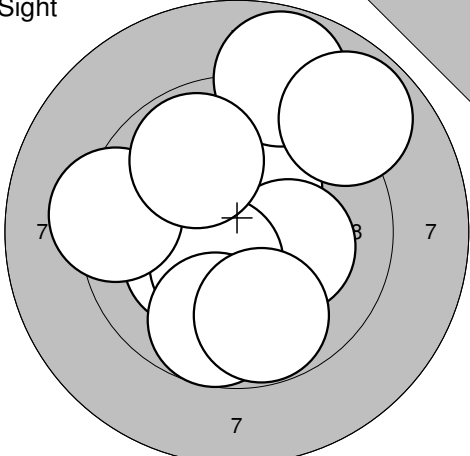
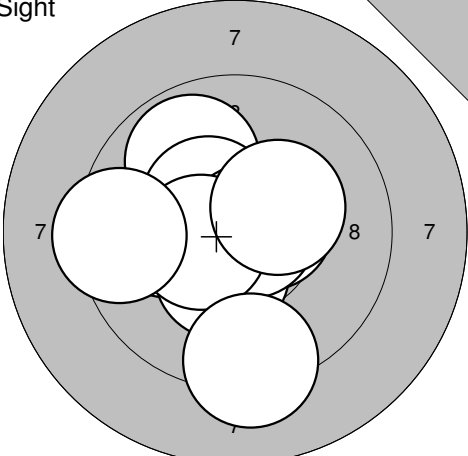
60 shot

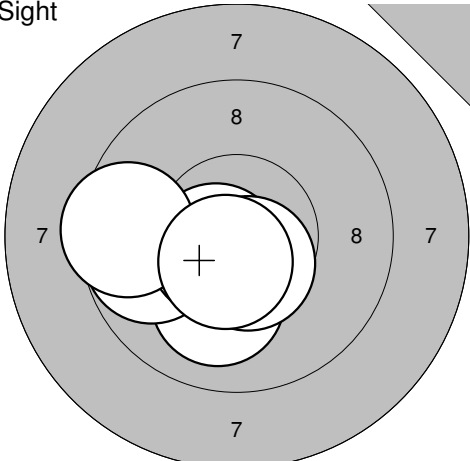
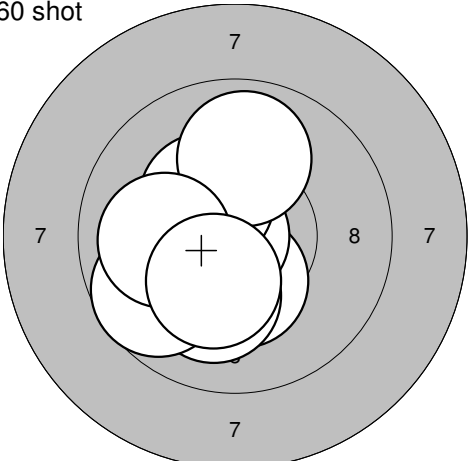


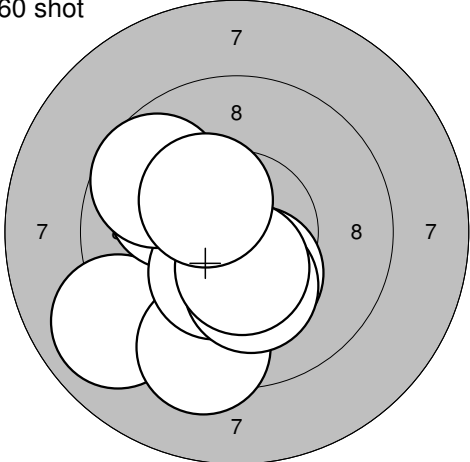
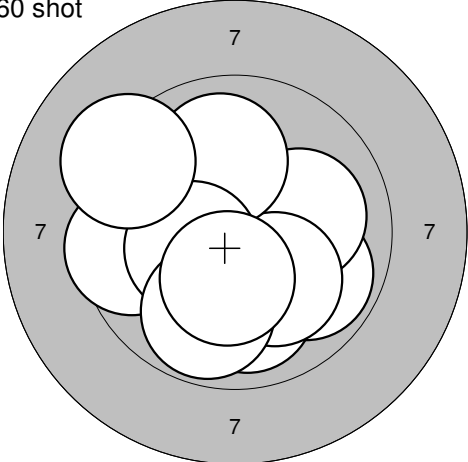
31: 6,8 →  
 32: 5,7 ↓  
 33: 8,8 ↓  
 34: 7,9 ↓  
 35: 6,9 ↓  
 36: 9,3 ←  
 37: 8,5 ↑  
 38: 8,3 ↘  
 39: 8,3 ↓  
 40: 8,7 ↓

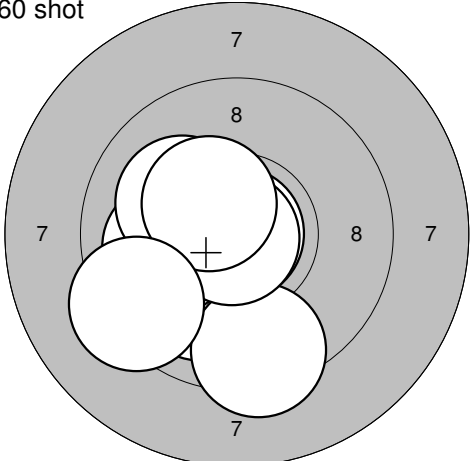
Serie 79,2

Totalt 344,1

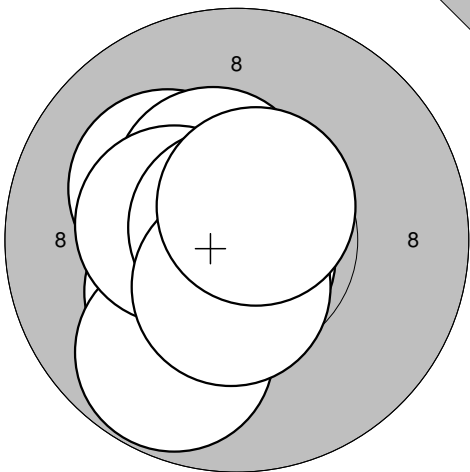
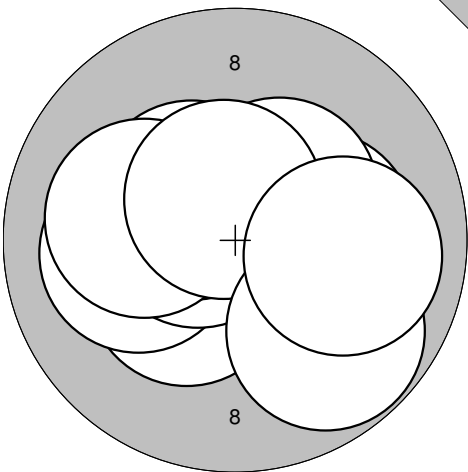
|                                                                                  |                                                                                                                               |                                                                                    |                                                                                                                                             |
|----------------------------------------------------------------------------------|-------------------------------------------------------------------------------------------------------------------------------|------------------------------------------------------------------------------------|---------------------------------------------------------------------------------------------------------------------------------------------|
| Sight                                                                            | Sight                                                                                                                         |                                                                                    |                                                                                                                                             |
|  | 1: 10,3* ↗<br>2: 8,8 ↑<br>3: 8,9 ↗<br>4: 10,2* →<br>5: 10,2* ←<br>6: 10,5* ↓<br>7: 9,7 ↓<br>8: 9,3 ←<br>9: 9,9 ↗<br>10: 9,8 ↓ |  | 11: 10,5* →<br>12: 10,1 ←<br>13: 9,9 ↗<br>14: 10,4* ↗<br>15: 10,4* ↓<br>16: 10,8* →<br>17: 10,5* ←<br>18: 9,2 ↓<br>19: 10,3* ↗<br>20: 9,4 ← |
|                                                                                  | Serie 97,6                                                                                                                    |                                                                                    | Serie 101,5                                                                                                                                 |
|                                                                                  | Totalt 0,0                                                                                                                    |                                                                                    | Totalt 0,0                                                                                                                                  |

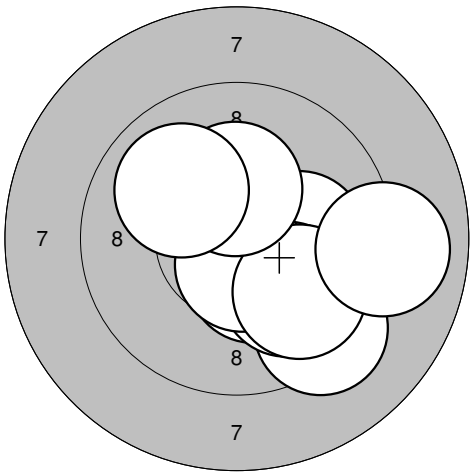
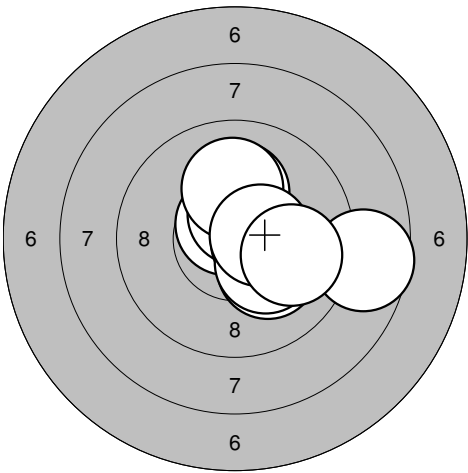
|                                                                                   |                                                                                   |                                                                                     |                                                                                                                                   |
|-----------------------------------------------------------------------------------|-----------------------------------------------------------------------------------|-------------------------------------------------------------------------------------|-----------------------------------------------------------------------------------------------------------------------------------|
| Sight                                                                             | 60 shot                                                                           |                                                                                     |                                                                                                                                   |
|  | 21: 10,1 ↓<br>22: 9,8 ←<br>23: 10,6* ←<br>24: 10,5* ↓<br>25: 9,5 ←<br>26: 10,6* ↓ |  | 1: 10,0 ←<br>2: 10,3* ↓<br>3: 10,8* ←<br>4: 10,0 ←<br>5: 10,3* ↗<br>6: 9,9 ↑<br>7: 10,1 ↓<br>8: 9,7 ←<br>9: 10,0 ←<br>10: 10,3* ↓ |
|                                                                                   | Serie 61,1                                                                        |                                                                                     | Serie 101,4                                                                                                                       |
|                                                                                   | Totalt 0,0                                                                        |                                                                                     | Totalt 101,4                                                                                                                      |

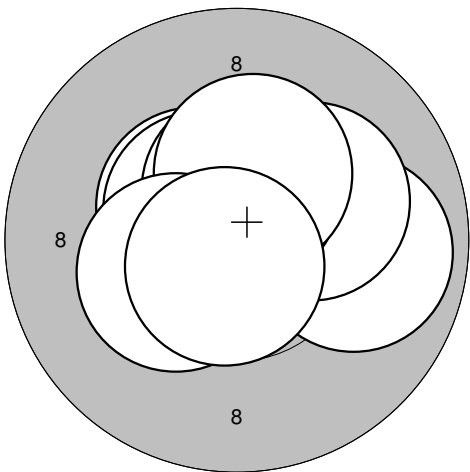
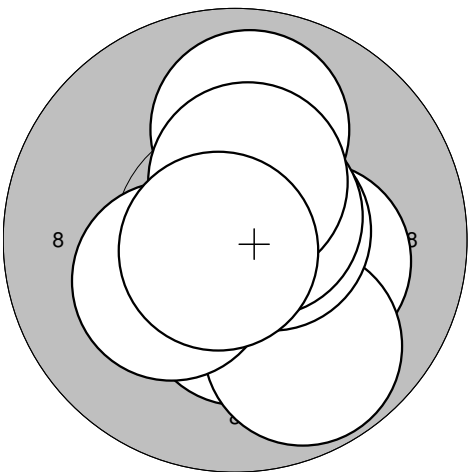
|                                                                                    |                                                                                                                                             |                                                                                      |                                                                                                                                        |
|------------------------------------------------------------------------------------|---------------------------------------------------------------------------------------------------------------------------------------------|--------------------------------------------------------------------------------------|----------------------------------------------------------------------------------------------------------------------------------------|
| 60 shot                                                                            | 60 shot                                                                                                                                     |                                                                                      |                                                                                                                                        |
|  | 11: 10,3* ↓<br>12: 9,0 ←<br>13: 10,0 ←<br>14: 9,4 ↓<br>15: 10,3* ↓<br>16: 10,3* ↓<br>17: 10,2* ↓<br>18: 10,5* ↓<br>19: 9,7 ↗<br>20: 10,4* ↗ |  | 21: 9,6 ←<br>22: 9,9 →<br>23: 10,0 ↓<br>24: 10,1 →<br>25: 10,1 ↓<br>26: 10,0 ↑<br>27: 10,3* ←<br>28: 9,8 ↓<br>29: 10,3* ↓<br>30: 9,2 ↗ |
|                                                                                    | Serie 100,1                                                                                                                                 |                                                                                      | Serie 99,3                                                                                                                             |
|                                                                                    | Totalt 201,5                                                                                                                                |                                                                                      | Totalt 300,8                                                                                                                           |

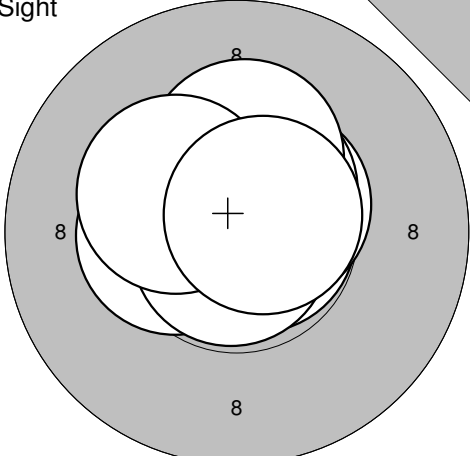
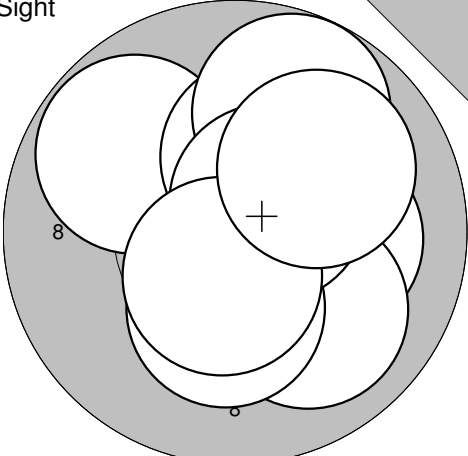
|                                                                                    |                                                                                                                                             |  |  |
|------------------------------------------------------------------------------------|---------------------------------------------------------------------------------------------------------------------------------------------|--|--|
| 60 shot                                                                            |                                                                                                                                             |  |  |
|  | 31: 10,7* ←<br>32: 10,0 ↓<br>33: 10,5* ←<br>34: 10,0 ←<br>35: 10,9* ↗<br>36: 9,4 ↓<br>37: 10,1 ↗<br>38: 10,9* ←<br>39: 10,4* ↗<br>40: 9,3 ← |  |  |
|                                                                                    | Serie 102,2                                                                                                                                 |  |  |
|                                                                                    | Totalt 403,0                                                                                                                                |  |  |

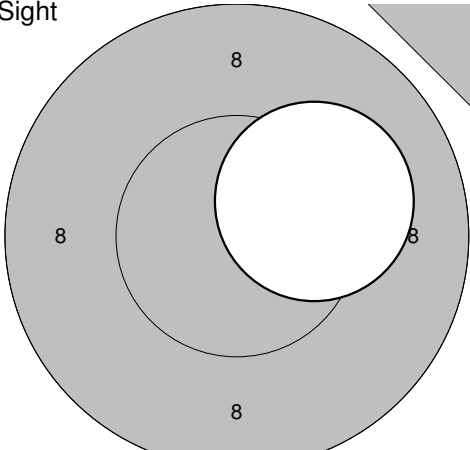
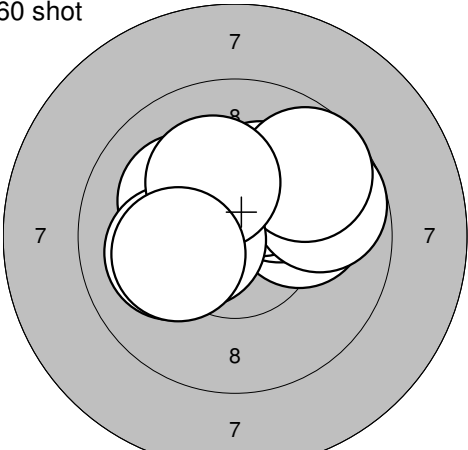


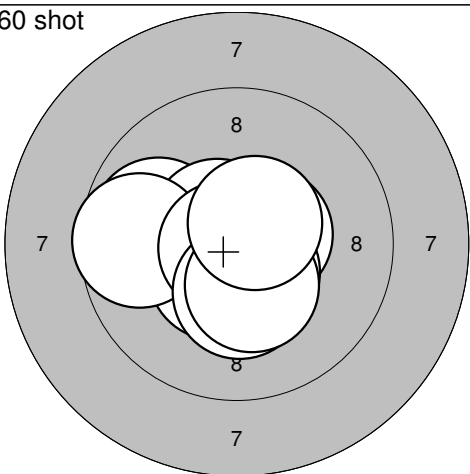
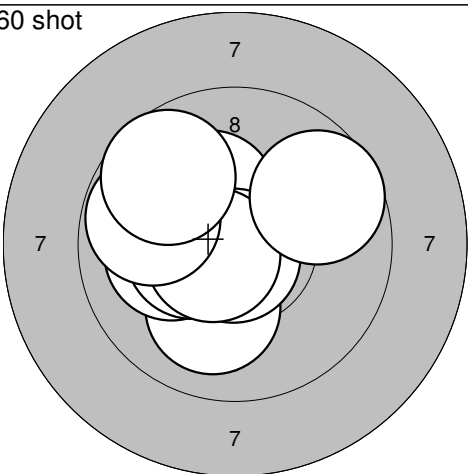
|                                                                                               |                                                                                                                                                                                                                                                                                                                                                                                                                                                                                                                                                                  |       |       |        |     |                                                                                                 |                                                                                                                                                                                                                                                                                                                                                                                                                                                                                                                                                                        |       |       |        |     |
|-----------------------------------------------------------------------------------------------|------------------------------------------------------------------------------------------------------------------------------------------------------------------------------------------------------------------------------------------------------------------------------------------------------------------------------------------------------------------------------------------------------------------------------------------------------------------------------------------------------------------------------------------------------------------|-------|-------|--------|-----|-------------------------------------------------------------------------------------------------|------------------------------------------------------------------------------------------------------------------------------------------------------------------------------------------------------------------------------------------------------------------------------------------------------------------------------------------------------------------------------------------------------------------------------------------------------------------------------------------------------------------------------------------------------------------------|-------|-------|--------|-----|
| <p>Sight</p>  | <p>1: 10,8* ↓<br/>                 2: 10,8* ↓<br/>                 3: 10,2* ↗<br/>                 4: 10,4* ↗<br/>                 5: 10,3* ↘<br/>                 6: 9,8 ↓<br/>                 7: 10,4* ←<br/>                 8: 10,8* ↗<br/>                 9: 10,5* ↓<br/>                 10: 10,6* ↗</p> <table border="1" style="width:100%; border-collapse: collapse;"> <tr> <td style="width:50%;">Serie</td> <td style="width:50%; text-align: right;">104,6</td> </tr> <tr> <td>Totalt</td> <td style="text-align: right;">0,0</td> </tr> </table> | Serie | 104,6 | Totalt | 0,0 | <p>Sight</p>  | <p>11: 10,3* ↘<br/>                 12: 10,1 ←<br/>                 13: 10,2* →<br/>                 14: 10,6* ←<br/>                 15: 10,4* ↗<br/>                 16: 10,4* ↗<br/>                 17: 10,1 ←<br/>                 18: 10,6* ↑<br/>                 19: 9,8 ↓<br/>                 20: 10,0 →</p> <table border="1" style="width:100%; border-collapse: collapse;"> <tr> <td style="width:50%;">Serie</td> <td style="width:50%; text-align: right;">102,5</td> </tr> <tr> <td>Totalt</td> <td style="text-align: right;">0,0</td> </tr> </table> | Serie | 102,5 | Totalt | 0,0 |
| Serie                                                                                         | 104,6                                                                                                                                                                                                                                                                                                                                                                                                                                                                                                                                                            |       |       |        |     |                                                                                                 |                                                                                                                                                                                                                                                                                                                                                                                                                                                                                                                                                                        |       |       |        |     |
| Totalt                                                                                        | 0,0                                                                                                                                                                                                                                                                                                                                                                                                                                                                                                                                                              |       |       |        |     |                                                                                                 |                                                                                                                                                                                                                                                                                                                                                                                                                                                                                                                                                                        |       |       |        |     |
| Serie                                                                                         | 102,5                                                                                                                                                                                                                                                                                                                                                                                                                                                                                                                                                            |       |       |        |     |                                                                                                 |                                                                                                                                                                                                                                                                                                                                                                                                                                                                                                                                                                        |       |       |        |     |
| Totalt                                                                                        | 0,0                                                                                                                                                                                                                                                                                                                                                                                                                                                                                                                                                              |       |       |        |     |                                                                                                 |                                                                                                                                                                                                                                                                                                                                                                                                                                                                                                                                                                        |       |       |        |     |

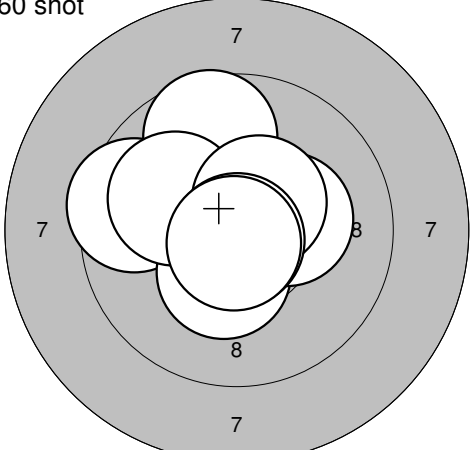
|                                                                                                  |                                                                                                                                                                                                                                                                                                                                                                                                                                                                                                                                                           |       |      |        |      |                                                                                                    |                                                                                                                                                                                                                                                                                                                                                                                                                                                                                                                                                                         |       |       |        |       |
|--------------------------------------------------------------------------------------------------|-----------------------------------------------------------------------------------------------------------------------------------------------------------------------------------------------------------------------------------------------------------------------------------------------------------------------------------------------------------------------------------------------------------------------------------------------------------------------------------------------------------------------------------------------------------|-------|------|--------|------|----------------------------------------------------------------------------------------------------|-------------------------------------------------------------------------------------------------------------------------------------------------------------------------------------------------------------------------------------------------------------------------------------------------------------------------------------------------------------------------------------------------------------------------------------------------------------------------------------------------------------------------------------------------------------------------|-------|-------|--------|-------|
| <p>60 shot</p>  | <p>1: 10,2* ↘<br/>                 2: 10,1 →<br/>                 3: 10,4* ↘<br/>                 4: 9,3 ↓<br/>                 5: 10,0 ↓<br/>                 6: 10,6* ↓<br/>                 7: 9,8 ↓<br/>                 8: 10,3* ↑<br/>                 9: 10,0 ↗<br/>                 10: 9,0 →</p> <table border="1" style="width:100%; border-collapse: collapse;"> <tr> <td style="width:50%;">Serie</td> <td style="width:50%; text-align: right;">99,7</td> </tr> <tr> <td>Totalt</td> <td style="text-align: right;">99,7</td> </tr> </table> | Serie | 99,7 | Totalt | 99,7 | <p>60 shot</p>  | <p>11: 10,7* ↗<br/>                 12: 10,5* ↑<br/>                 13: 10,5* →<br/>                 14: 10,2* ↘<br/>                 15: 10,1 ↑<br/>                 16: 10,1 ↑<br/>                 17: 10,3* ↘<br/>                 18: 8,6 →<br/>                 19: 10,5* →<br/>                 20: 9,9 →</p> <table border="1" style="width:100%; border-collapse: collapse;"> <tr> <td style="width:50%;">Serie</td> <td style="width:50%; text-align: right;">101,4</td> </tr> <tr> <td>Totalt</td> <td style="text-align: right;">201,1</td> </tr> </table> | Serie | 101,4 | Totalt | 201,1 |
| Serie                                                                                            | 99,7                                                                                                                                                                                                                                                                                                                                                                                                                                                                                                                                                      |       |      |        |      |                                                                                                    |                                                                                                                                                                                                                                                                                                                                                                                                                                                                                                                                                                         |       |       |        |       |
| Totalt                                                                                           | 99,7                                                                                                                                                                                                                                                                                                                                                                                                                                                                                                                                                      |       |      |        |      |                                                                                                    |                                                                                                                                                                                                                                                                                                                                                                                                                                                                                                                                                                         |       |       |        |       |
| Serie                                                                                            | 101,4                                                                                                                                                                                                                                                                                                                                                                                                                                                                                                                                                     |       |      |        |      |                                                                                                    |                                                                                                                                                                                                                                                                                                                                                                                                                                                                                                                                                                         |       |       |        |       |
| Totalt                                                                                           | 201,1                                                                                                                                                                                                                                                                                                                                                                                                                                                                                                                                                     |       |      |        |      |                                                                                                    |                                                                                                                                                                                                                                                                                                                                                                                                                                                                                                                                                                         |       |       |        |       |

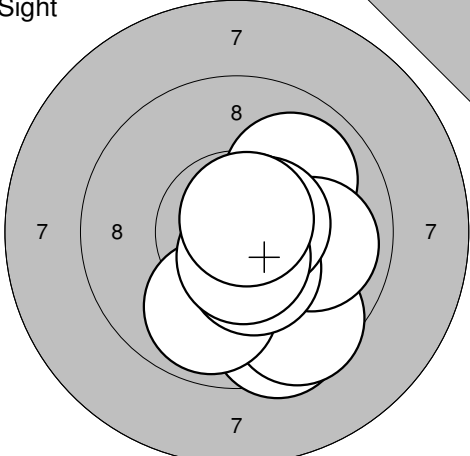
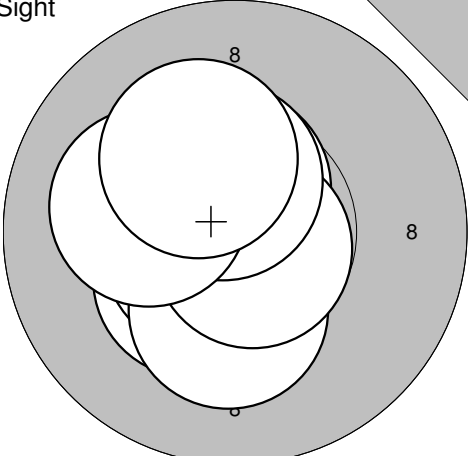
|                                                                                                   |                                                                                                                                                                                                                                                                                                                                                                                                                                                                                                                                                                             |       |       |        |       |                                                                                                     |                                                                                                                                                                                                                                                                                                                                                                                                                                                                                                                                                                           |       |       |        |       |
|---------------------------------------------------------------------------------------------------|-----------------------------------------------------------------------------------------------------------------------------------------------------------------------------------------------------------------------------------------------------------------------------------------------------------------------------------------------------------------------------------------------------------------------------------------------------------------------------------------------------------------------------------------------------------------------------|-------|-------|--------|-------|-----------------------------------------------------------------------------------------------------|---------------------------------------------------------------------------------------------------------------------------------------------------------------------------------------------------------------------------------------------------------------------------------------------------------------------------------------------------------------------------------------------------------------------------------------------------------------------------------------------------------------------------------------------------------------------------|-------|-------|--------|-------|
| <p>60 shot</p>  | <p>21: 9,9 →<br/>                 22: 10,5* ↗<br/>                 23: 10,8* ←<br/>                 24: 10,5* ↗<br/>                 25: 10,4* ↗<br/>                 26: 10,2* →<br/>                 27: 10,5* ↑<br/>                 28: 10,3* ↑<br/>                 29: 10,3* ←<br/>                 30: 10,7* ↓</p> <table border="1" style="width:100%; border-collapse: collapse;"> <tr> <td style="width:50%;">Serie</td> <td style="width:50%; text-align: right;">104,1</td> </tr> <tr> <td>Totalt</td> <td style="text-align: right;">305,2</td> </tr> </table> | Serie | 104,1 | Totalt | 305,2 | <p>60 shot</p>  | <p>31: 10,3* ↓<br/>                 32: 10,7* →<br/>                 33: 10,2* →<br/>                 34: 9,9 ↑<br/>                 35: 9,8 ↓<br/>                 36: 10,6* →<br/>                 37: 10,6* ↗<br/>                 38: 10,4* ↑<br/>                 39: 10,3* ←<br/>                 40: 10,8* ←</p> <table border="1" style="width:100%; border-collapse: collapse;"> <tr> <td style="width:50%;">Serie</td> <td style="width:50%; text-align: right;">103,6</td> </tr> <tr> <td>Totalt</td> <td style="text-align: right;">408,8</td> </tr> </table> | Serie | 103,6 | Totalt | 408,8 |
| Serie                                                                                             | 104,1                                                                                                                                                                                                                                                                                                                                                                                                                                                                                                                                                                       |       |       |        |       |                                                                                                     |                                                                                                                                                                                                                                                                                                                                                                                                                                                                                                                                                                           |       |       |        |       |
| Totalt                                                                                            | 305,2                                                                                                                                                                                                                                                                                                                                                                                                                                                                                                                                                                       |       |       |        |       |                                                                                                     |                                                                                                                                                                                                                                                                                                                                                                                                                                                                                                                                                                           |       |       |        |       |
| Serie                                                                                             | 103,6                                                                                                                                                                                                                                                                                                                                                                                                                                                                                                                                                                       |       |       |        |       |                                                                                                     |                                                                                                                                                                                                                                                                                                                                                                                                                                                                                                                                                                           |       |       |        |       |
| Totalt                                                                                            | 408,8                                                                                                                                                                                                                                                                                                                                                                                                                                                                                                                                                                       |       |       |        |       |                                                                                                     |                                                                                                                                                                                                                                                                                                                                                                                                                                                                                                                                                                           |       |       |        |       |

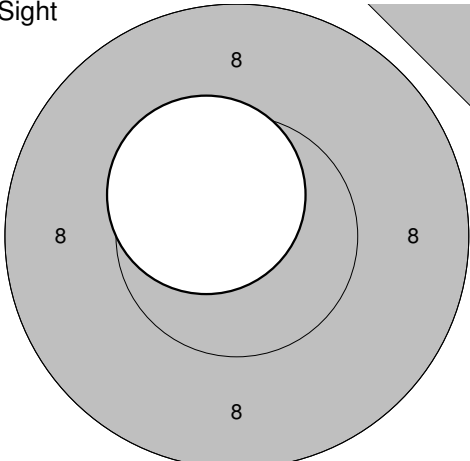
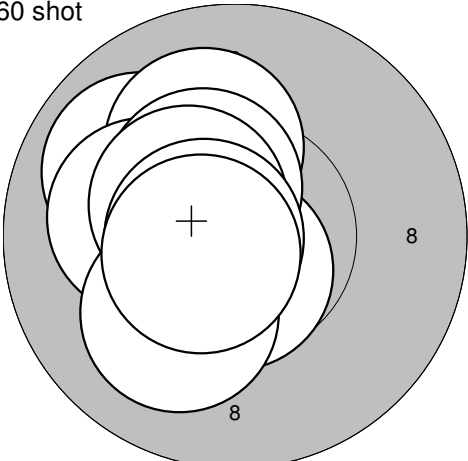
|                                                                                  |                                                                                                                                           |                                                                                    |
|----------------------------------------------------------------------------------|-------------------------------------------------------------------------------------------------------------------------------------------|------------------------------------------------------------------------------------|
| Sight                                                                            |                                                                                                                                           | Sight                                                                              |
|  | 1: 10,8* →<br>2: 10,6* ←<br>3: 10,6* ←<br>4: 10,4* ←<br>5: 10,5* ↗<br>6: 10,8* ↓<br>7: 10,5* ↗<br>8: 10,3* ↑<br>9: 10,3* ↖<br>10: 10,7* ↗ |  |
| Serie 105,5                                                                      |                                                                                                                                           | Serie 101,9                                                                        |
| Totalt 0,0                                                                       |                                                                                                                                           | Totalt 0,0                                                                         |

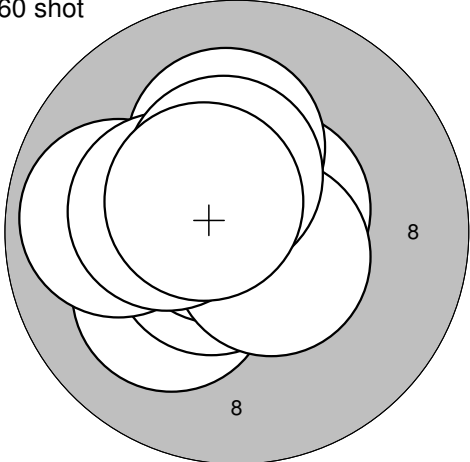
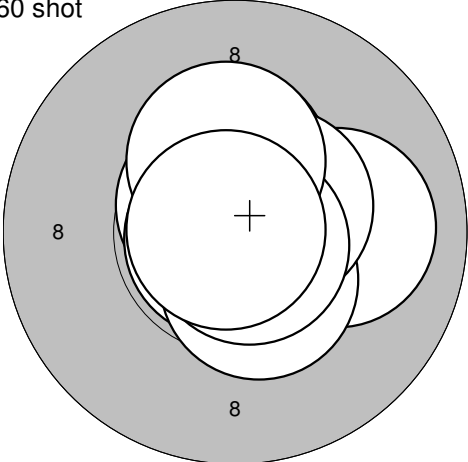
|                                                                                   |             |                                                                                     |
|-----------------------------------------------------------------------------------|-------------|-------------------------------------------------------------------------------------|
| Sight                                                                             |             | 60 shot                                                                             |
|  | 21: 10,2* → |  |
| Serie 10,2                                                                        |             | Serie 100,9                                                                         |
| Totalt 0,0                                                                        |             | Totalt 100,9                                                                        |

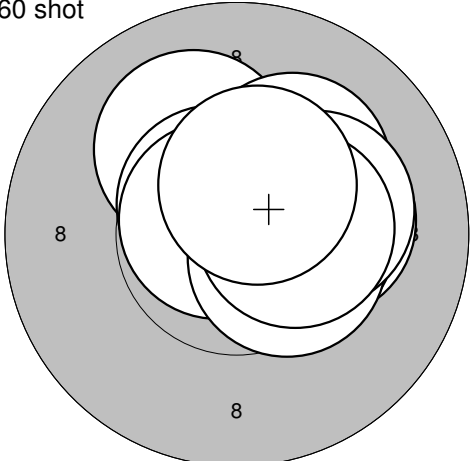
|                                                                                    |                                                                                                                                                |                                                                                      |
|------------------------------------------------------------------------------------|------------------------------------------------------------------------------------------------------------------------------------------------|--------------------------------------------------------------------------------------|
| 60 shot                                                                            |                                                                                                                                                | 60 shot                                                                              |
|  | 11: 10,5* ↓<br>12: 9,9 ←<br>13: 10,5* →<br>14: 10,5* ↓<br>15: 10,6* ↗<br>16: 9,7 ←<br>17: 10,8* ←<br>18: 10,3* ↓<br>19: 10,4* ↓<br>20: 10,6* ↗ |  |
| Serie 103,8                                                                        |                                                                                                                                                | Serie 101,8                                                                          |
| Totalt 204,7                                                                       |                                                                                                                                                | Totalt 306,5                                                                         |

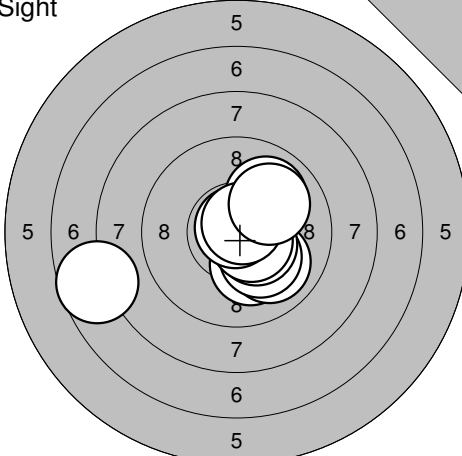
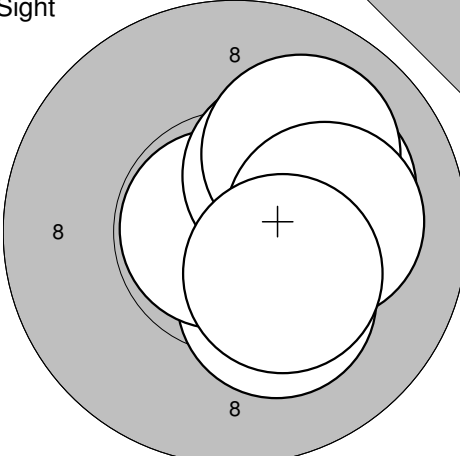
|                                                                                    |                                                                                                                                              |  |
|------------------------------------------------------------------------------------|----------------------------------------------------------------------------------------------------------------------------------------------|--|
| 60 shot                                                                            |                                                                                                                                              |  |
|  | 31: 10,1 ↑<br>32: 9,5 ←<br>33: 10,2* ↗<br>34: 10,4* ↓<br>35: 10,3* →<br>36: 9,7 ↑<br>37: 10,0 ↖<br>38: 10,5* ↗<br>39: 10,8* ↓<br>40: 10,8* ↓ |  |
| Serie 102,3                                                                        |                                                                                                                                              |  |
| Totalt 408,8                                                                       |                                                                                                                                              |  |

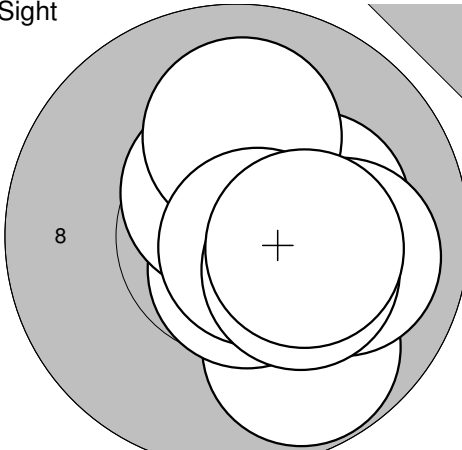
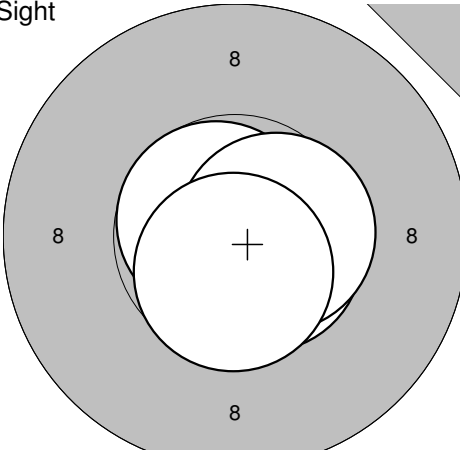
|                                                                                               |                                                                                                                                                                                    |                                                                                                 |                                                                                                                                                                                                     |
|-----------------------------------------------------------------------------------------------|------------------------------------------------------------------------------------------------------------------------------------------------------------------------------------|-------------------------------------------------------------------------------------------------|-----------------------------------------------------------------------------------------------------------------------------------------------------------------------------------------------------|
| <p>Sight</p>  | <p>1: 9,5 ↘<br/>2: 9,5 ↘<br/>3: 10,0 ↗<br/>4: 9,9 →<br/>5: 10,7* ↗<br/>6: 9,9 ↘<br/>7: 10,4* ↘<br/>8: 10,6* →<br/>9: 10,6* ↘<br/>10: 10,7* ↗</p> <p>Serie 101,8<br/>Totalt 0,0</p> | <p>Sight</p>  | <p>11: 10,4* ↙<br/>12: 10,6* ↙<br/>13: 10,2* ↘<br/>14: 10,6* ↗<br/>15: 10,6* ↑<br/>16: 10,7* ↘<br/>17: 10,4* ↗<br/>18: 10,5* ↑<br/>19: 10,1 ↖<br/>20: 10,2* ↗</p> <p>Serie 104,3<br/>Totalt 0,0</p> |
|-----------------------------------------------------------------------------------------------|------------------------------------------------------------------------------------------------------------------------------------------------------------------------------------|-------------------------------------------------------------------------------------------------|-----------------------------------------------------------------------------------------------------------------------------------------------------------------------------------------------------|

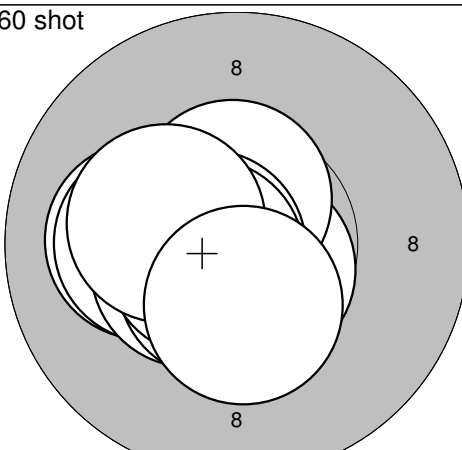
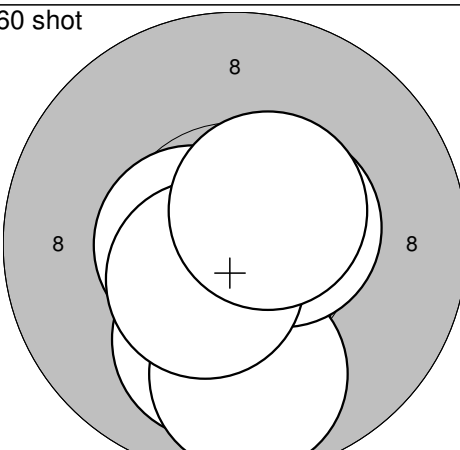
|                                                                                                |                                                     |                                                                                                    |                                                                                                                                                                                          |
|------------------------------------------------------------------------------------------------|-----------------------------------------------------|----------------------------------------------------------------------------------------------------|------------------------------------------------------------------------------------------------------------------------------------------------------------------------------------------|
| <p>Sight</p>  | <p>21: 10,5* ↗</p> <p>Serie 10,5<br/>Totalt 0,0</p> | <p>60 shot</p>  | <p>1: 9,9 ↗<br/>2: 10,1 ↗<br/>3: 10,5* ↗<br/>4: 10,1 ↖<br/>5: 10,6* ↘<br/>6: 10,4* ↗<br/>7: 10,1 ↘<br/>8: 10,4* ↗<br/>9: 10,7* ↖<br/>10: 10,6* ↖</p> <p>Serie 103,4<br/>Totalt 103,4</p> |
|------------------------------------------------------------------------------------------------|-----------------------------------------------------|----------------------------------------------------------------------------------------------------|------------------------------------------------------------------------------------------------------------------------------------------------------------------------------------------|

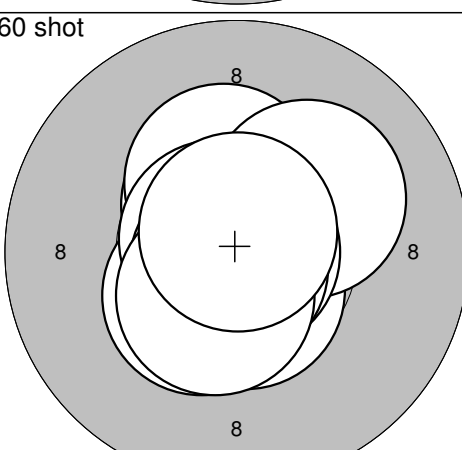
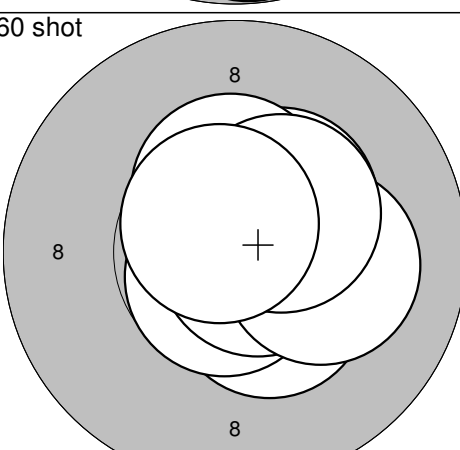
|                                                                                                   |                                                                                                                                                                                                     |                                                                                                     |                                                                                                                                                                                                       |
|---------------------------------------------------------------------------------------------------|-----------------------------------------------------------------------------------------------------------------------------------------------------------------------------------------------------|-----------------------------------------------------------------------------------------------------|-------------------------------------------------------------------------------------------------------------------------------------------------------------------------------------------------------|
| <p>60 shot</p>  | <p>11: 10,6* ↗<br/>12: 10,1 ↘<br/>13: 10,6* ↘<br/>14: 10,8* ↖<br/>15: 9,9 ↖<br/>16: 10,2* ↑<br/>17: 10,6* ↘<br/>18: 10,3* ↖<br/>19: 10,4* ↑<br/>20: 10,5* ↗</p> <p>Serie 104,0<br/>Totalt 207,4</p> | <p>60 shot</p>  | <p>21: 10,0 →<br/>22: 10,6* ↑<br/>23: 10,4* ↑<br/>24: 10,7* ↗<br/>25: 10,8* ↖<br/>26: 10,5* ↘<br/>27: 10,5* ↗<br/>28: 10,8* ↘<br/>29: 10,3* ↑<br/>30: 10,9* ↖</p> <p>Serie 105,5<br/>Totalt 312,9</p> |
|---------------------------------------------------------------------------------------------------|-----------------------------------------------------------------------------------------------------------------------------------------------------------------------------------------------------|-----------------------------------------------------------------------------------------------------|-------------------------------------------------------------------------------------------------------------------------------------------------------------------------------------------------------|

|                                                                                                   |                                                                                                                                                                                                       |  |  |
|---------------------------------------------------------------------------------------------------|-------------------------------------------------------------------------------------------------------------------------------------------------------------------------------------------------------|--|--|
| <p>60 shot</p>  | <p>31: 10,1 ↗<br/>32: 10,2* →<br/>33: 10,6* ↗<br/>34: 10,7* ↗<br/>35: 10,2* ↗<br/>36: 10,4* →<br/>37: 10,4* ↘<br/>38: 10,2* →<br/>39: 10,4* →<br/>40: 10,5* ↗</p> <p>Serie 103,7<br/>Totalt 416,6</p> |  |  |
|---------------------------------------------------------------------------------------------------|-------------------------------------------------------------------------------------------------------------------------------------------------------------------------------------------------------|--|--|

|                                                                                  |                                                                                                                                      |                                                                                    |                                                                                                                                                 |
|----------------------------------------------------------------------------------|--------------------------------------------------------------------------------------------------------------------------------------|------------------------------------------------------------------------------------|-------------------------------------------------------------------------------------------------------------------------------------------------|
| Sight                                                                            |                                                                                                                                      | Sight                                                                              |                                                                                                                                                 |
|  | 1: 10,2* ↓<br>2: 10,0 ↓<br>3: 10,2* ↓<br>4: 10,4* ↓<br>5: 10,6* ↓<br>6: 10,9* ↑<br>7: 10,0 ↗<br>8: 10,7* ↗<br>9: 7,7 ←<br>10: 10,0 ↗ |  | 11: 10,7* →<br>12: 10,7* ↗<br>13: 10,2* ↓<br>14: 10,1 ↗<br>15: 10,8* ↗<br>16: 10,8* ←<br>17: 10,3* ↗<br>18: 10,0 ↗<br>19: 10,1 →<br>20: 10,4* ↓ |
|                                                                                  | Serie 100,7                                                                                                                          |                                                                                    | Serie 104,1                                                                                                                                     |
|                                                                                  | Totalt 0,0                                                                                                                           |                                                                                    | Totalt 0,0                                                                                                                                      |

|                                                                                   |                                                                                                                                                |                                                                                     |                                                          |
|-----------------------------------------------------------------------------------|------------------------------------------------------------------------------------------------------------------------------------------------|-------------------------------------------------------------------------------------|----------------------------------------------------------|
| Sight                                                                             |                                                                                                                                                | Sight                                                                               |                                                          |
|  | 21: 10,6* ↓<br>22: 9,8 ↓<br>23: 10,6* ↓<br>24: 10,2* →<br>25: 10,0 →<br>26: 10,5* ↗<br>27: 10,1 ↑<br>28: 10,7* ↓<br>29: 10,3* ↓<br>30: 10,3* → |  | 31: 10,6* ↓<br>32: 10,7* ↗<br>33: 10,6* →<br>34: 10,6* ↓ |
|                                                                                   | Serie 103,1                                                                                                                                    |                                                                                     | Serie 42,5                                               |
|                                                                                   | Totalt 0,0                                                                                                                                     |                                                                                     | Totalt 0,0                                               |

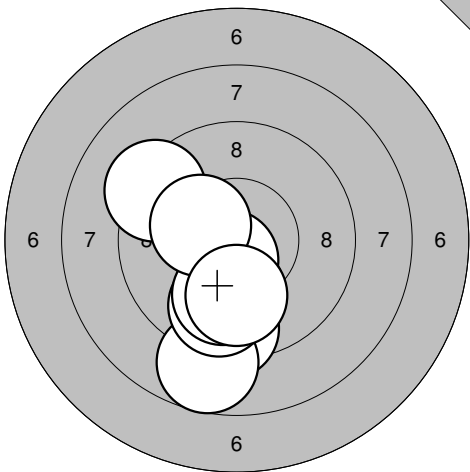
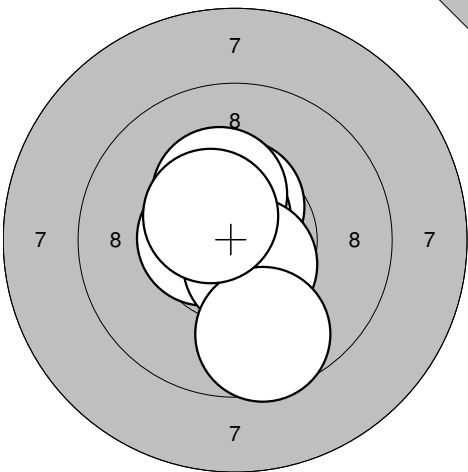
|                                                                                    |                                                                                                                                          |                                                                                      |                                                                                                                                                 |
|------------------------------------------------------------------------------------|------------------------------------------------------------------------------------------------------------------------------------------|--------------------------------------------------------------------------------------|-------------------------------------------------------------------------------------------------------------------------------------------------|
| 60 shot                                                                            |                                                                                                                                          | 60 shot                                                                              |                                                                                                                                                 |
|  | 1: 10,7* ↓<br>2: 10,1 ←<br>3: 10,5* ↑<br>4: 10,2* ←<br>5: 10,5* ←<br>6: 10,7* ←<br>7: 10,6* ↓<br>8: 10,6* ←<br>9: 10,3* ←<br>10: 10,4* ↓ |  | 11: 10,7* ←<br>12: 10,9* ↙<br>13: 10,4* ↓<br>14: 10,7* ←<br>15: 10,1 ↓<br>16: 9,8 ↓<br>17: 10,6* ←<br>18: 10,5* →<br>19: 10,5* ↙<br>20: 10,5* ↗ |
|                                                                                    | Serie 104,6                                                                                                                              |                                                                                      | Serie 104,7                                                                                                                                     |
|                                                                                    | Totalt 104,6                                                                                                                             |                                                                                      | Totalt 209,3                                                                                                                                    |

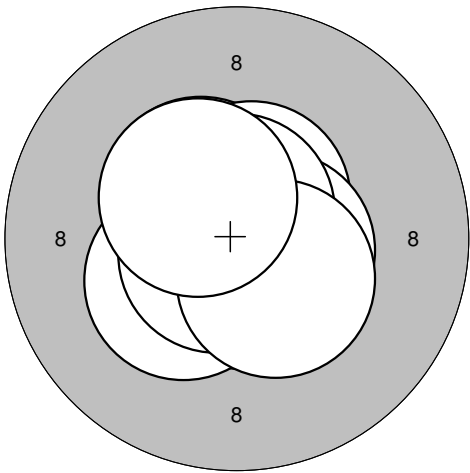
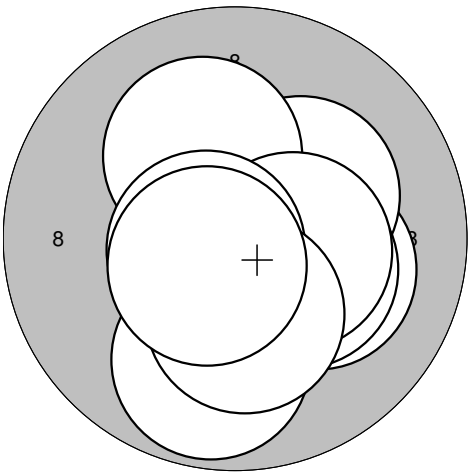
|                                                                                    |                                                                                                                                                    |                                                                                      |                                                                                                                                                    |
|------------------------------------------------------------------------------------|----------------------------------------------------------------------------------------------------------------------------------------------------|--------------------------------------------------------------------------------------|----------------------------------------------------------------------------------------------------------------------------------------------------|
| 60 shot                                                                            |                                                                                                                                                    | 60 shot                                                                              |                                                                                                                                                    |
|  | 21: 10,5* ↑<br>22: 10,3* ↑<br>23: 10,6* ↓<br>24: 10,2* ↗<br>25: 10,9* →<br>26: 10,4* ↙<br>27: 10,7* ↗<br>28: 10,8* ↓<br>29: 10,5* ↓<br>30: 10,8* ↑ |  | 31: 10,4* ↓<br>32: 10,8* ↓<br>33: 10,7* ↙<br>34: 10,7* ↗<br>35: 10,4* ↗<br>36: 10,4* ↑<br>37: 10,7* →<br>38: 10,2* →<br>39: 10,4* ↗<br>40: 10,7* ↗ |
|                                                                                    | Serie 105,7                                                                                                                                        |                                                                                      | Serie 105,4                                                                                                                                        |
|                                                                                    | Totalt 315,0                                                                                                                                       |                                                                                      | Totalt 420,4                                                                                                                                       |

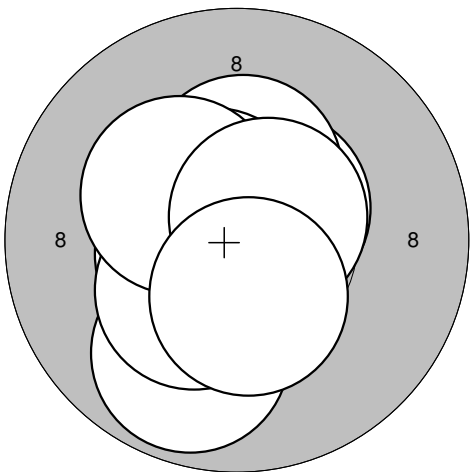
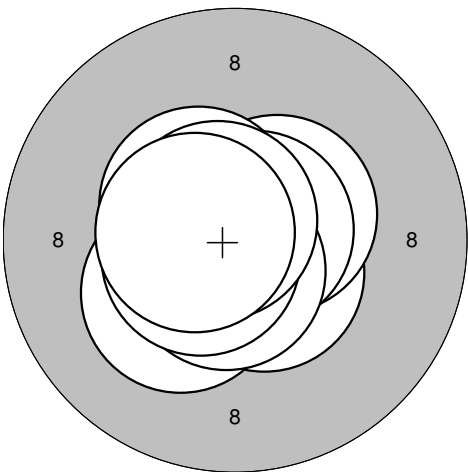
|                                                                                                                                                                                                                     |                                                                                                                                                                                                               |
|---------------------------------------------------------------------------------------------------------------------------------------------------------------------------------------------------------------------|---------------------------------------------------------------------------------------------------------------------------------------------------------------------------------------------------------------|
| <p>Sight</p>                                                                                                                                                                                                        | <p>Sight</p>                                                                                                                                                                                                  |
| <p>1: 9,6 ↓</p> <p>2: 9,7 ↓</p> <p>3: 9,3 ↓</p> <p>4: 10,6* ↑</p> <p>5: 10,7* ↗</p> <p>6: 10,6* ↗</p> <p>7: 10,5* ↗</p> <p>8: 10,5* ↑</p> <p>9: 10,6* ↓</p> <p>10: 10,6* ↓</p> <p>Serie 102,7</p> <p>Totalt 0,0</p> | <p>11: 10,8* ↑</p> <p>12: 10,6* ←</p> <p>13: 10,4* ↑</p> <p>14: 10,7* →</p> <p>15: 10,8* ↘</p> <p>16: 10,3* ↑</p> <p>17: 10,3* ↘</p> <p>18: 10,0 ↗</p> <p>19: 10,7* ↗</p> <p>Serie 94,6</p> <p>Totalt 0,0</p> |

|                                                                                                                                                                                                                             |                                                                                                                                                                                                                                      |
|-----------------------------------------------------------------------------------------------------------------------------------------------------------------------------------------------------------------------------|--------------------------------------------------------------------------------------------------------------------------------------------------------------------------------------------------------------------------------------|
| <p>60 shot</p>                                                                                                                                                                                                              | <p>60 shot</p>                                                                                                                                                                                                                       |
| <p>1: 10,4* ↑</p> <p>2: 10,7* ↓</p> <p>3: 10,4* ↙</p> <p>4: 10,8* ↗</p> <p>5: 10,6* ←</p> <p>6: 10,5* ↗</p> <p>7: 10,5* ↗</p> <p>8: 10,8* ←</p> <p>9: 10,6* →</p> <p>10: 10,8* →</p> <p>Serie 106,1</p> <p>Totalt 106,1</p> | <p>11: 10,3* ↗</p> <p>12: 10,8* ←</p> <p>13: 10,7* ↗</p> <p>14: 10,3* ↘</p> <p>15: 10,7* ↗</p> <p>16: 10,5* ←</p> <p>17: 10,2* ↘</p> <p>18: 10,6* ←</p> <p>19: 10,7* ↗</p> <p>20: 10,3* ↓</p> <p>Serie 105,1</p> <p>Totalt 211,2</p> |

|                                                                                                                                                                                                                                      |                                                                                                                                                                                                                                     |
|--------------------------------------------------------------------------------------------------------------------------------------------------------------------------------------------------------------------------------------|-------------------------------------------------------------------------------------------------------------------------------------------------------------------------------------------------------------------------------------|
| <p>60 shot</p>                                                                                                                                                                                                                       | <p>60 shot</p>                                                                                                                                                                                                                      |
| <p>21: 10,6* ←</p> <p>22: 10,8* ↑</p> <p>23: 10,3* ↓</p> <p>24: 10,4* →</p> <p>25: 10,7* ↓</p> <p>26: 10,8* →</p> <p>27: 10,4* ↗</p> <p>28: 10,9* ↓</p> <p>29: 10,8* ←</p> <p>30: 10,7* ↗</p> <p>Serie 106,4</p> <p>Totalt 317,6</p> | <p>31: 10,6* ←</p> <p>32: 10,1 ↘</p> <p>33: 10,5* →</p> <p>34: 10,6* ↗</p> <p>35: 10,6* ↓</p> <p>36: 10,6* ↓</p> <p>37: 10,2* →</p> <p>38: 10,5* →</p> <p>39: 10,4* →</p> <p>40: 10,3* ↓</p> <p>Serie 104,4</p> <p>Totalt 422,0</p> |

|                                                                                                                                                                         |                                                                                                                                    |  |
|-------------------------------------------------------------------------------------------------------------------------------------------------------------------------|------------------------------------------------------------------------------------------------------------------------------------|--|
| <p>Sight</p>                                                                            | <p>Sight</p>                                     |  |
| <p>1: 9,8 ↓</p> <p>2: 9,4 ↓</p> <p>3: 8,7 ↓</p> <p>4: 9,3 ↖</p> <p>5: 9,8 ↓</p> <p>6: 10,1 ↓</p> <p>7: 10,6* ↓</p> <p>8: 10,0 ↓</p> <p>9: 10,3* ↖</p> <p>10: 10,0 ↓</p> | <p>11: 10,5* ↑</p> <p>12: 10,6* ↗</p> <p>13: 10,5* ←</p> <p>14: 10,3* ↑</p> <p>15: 10,6* ↓</p> <p>16: 9,6 ↓</p> <p>17: 10,5* ↗</p> |  |
| Serie 98,0                                                                                                                                                              | Serie 72,6                                                                                                                         |  |
| Totalt 0,0                                                                                                                                                              | Totalt 0,0                                                                                                                         |  |

|                                                                                                                                                                                      |                                                                                                                                                                                             |  |
|--------------------------------------------------------------------------------------------------------------------------------------------------------------------------------------|---------------------------------------------------------------------------------------------------------------------------------------------------------------------------------------------|--|
| <p>60 shot</p>                                                                                      | <p>60 shot</p>                                                                                           |  |
| <p>1: 10,4* ↗</p> <p>2: 10,6* ↗</p> <p>3: 10,7* ↓</p> <p>4: 10,6* ↑</p> <p>5: 10,3* ↖</p> <p>6: 10,7* ↖</p> <p>7: 10,6* →</p> <p>8: 10,7* ↑</p> <p>9: 10,4* ↓</p> <p>10: 10,4* ↗</p> | <p>11: 10,2* →</p> <p>12: 10,4* →</p> <p>13: 10,2* ↗</p> <p>14: 10,3* →</p> <p>15: 10,2* ↑</p> <p>16: 10,4* →</p> <p>17: 10,7* ←</p> <p>18: 9,8 ↓</p> <p>19: 10,3* ↓</p> <p>20: 10,6* ↖</p> |  |
| Serie 105,4                                                                                                                                                                          | Serie 103,1                                                                                                                                                                                 |  |
| Totalt 105,4                                                                                                                                                                         | Totalt 208,5                                                                                                                                                                                |  |

|                                                                                                                                                                                             |                                                                                                                                                                                               |  |
|---------------------------------------------------------------------------------------------------------------------------------------------------------------------------------------------|-----------------------------------------------------------------------------------------------------------------------------------------------------------------------------------------------|--|
| <p>60 shot</p>                                                                                            | <p>60 shot</p>                                                                                            |  |
| <p>21: 10,5* ←</p> <p>22: 9,8 ↓</p> <p>23: 10,9* ↑</p> <p>24: 10,5* ↗</p> <p>25: 10,4* ↖</p> <p>26: 10,4* ↑</p> <p>27: 10,6* ↗</p> <p>28: 10,3* ↖</p> <p>29: 10,6* ↗</p> <p>30: 10,4* ↓</p> | <p>31: 10,6* ↓</p> <p>32: 10,6* ←</p> <p>33: 10,5* ↗</p> <p>34: 10,3* ↖</p> <p>35: 10,8* ↗</p> <p>36: 10,7* ↓</p> <p>37: 10,5* ↗</p> <p>38: 10,6* ←</p> <p>39: 10,7* ↗</p> <p>40: 10,6* ←</p> |  |
| Serie 104,4                                                                                                                                                                                 | Serie 105,9                                                                                                                                                                                   |  |
| Totalt 312,9                                                                                                                                                                                | Totalt 418,8                                                                                                                                                                                  |  |