

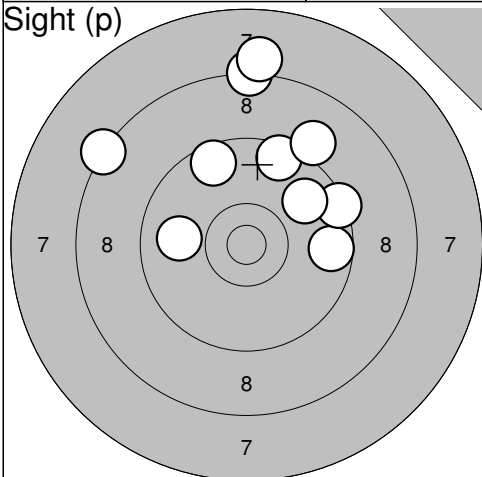
Drängsmark

2011-04-10

Startskottet 2011

Umeå skytteallians

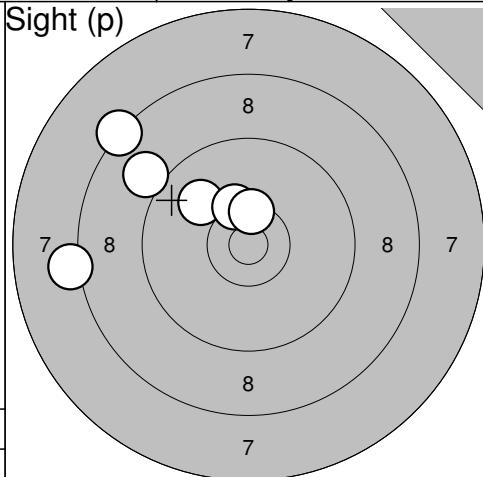
Sight (p)



- 1: 8,3    ↑
- 2: 8,1    ↑
- 3: 9,5    ↑
- 4: 9,6    ↗
- 5: 9,6    →
- 6: 9,4    →
- 7: 9,1    ↗
- 8: 9,8    ↗
- 9: 9,9    ←
- 10: 8,3    ↗

Serie 87,0  
Totalt 0,0

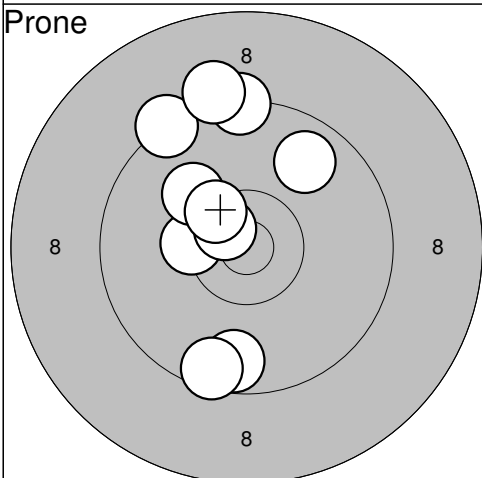
Sight (p)



- 11: 10,0    ↗
- 12: 9,0    ↗
- 13: 8,2    ←
- 14: 8,3    ↗
- 15: 10,3\*    ↗
- 16: 10,4\*    ↑

Serie 55,0  
Totalt 0,0

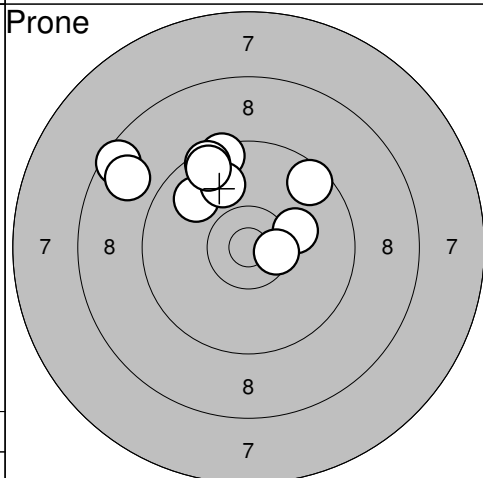
Prone



- 1: 10,3\*    ←
- 2: 9,3    ↗
- 3: 9,3    ↑
- 4: 9,7    ↓
- 5: 9,2    ↑
- 6: 10,6\*    ↗
- 7: 10,1    ↗
- 8: 9,5    ↓
- 9: 9,8    ↗
- 10: 10,4\*    ↗

Serie 94,0  
Totalt 94,0

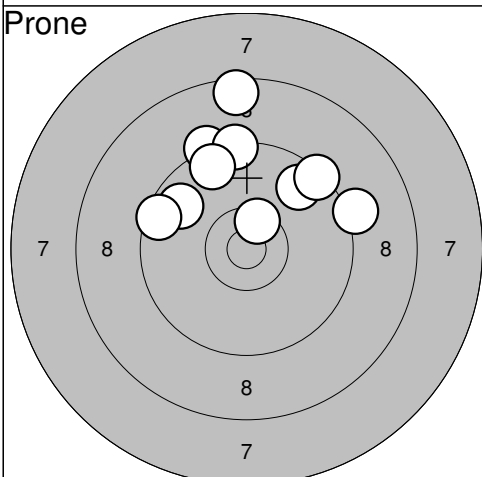
Prone



- 11: 8,6    ↗
- 12: 8,8    ↗
- 13: 9,9    ↗
- 14: 9,6    ↗
- 15: 9,5    ↑
- 16: 9,5    ↗
- 17: 10,2    →
- 18: 9,9    ↗
- 19: 9,6    ↗
- 20: 10,5\*    →

Serie 90,0  
Totalt 184,0

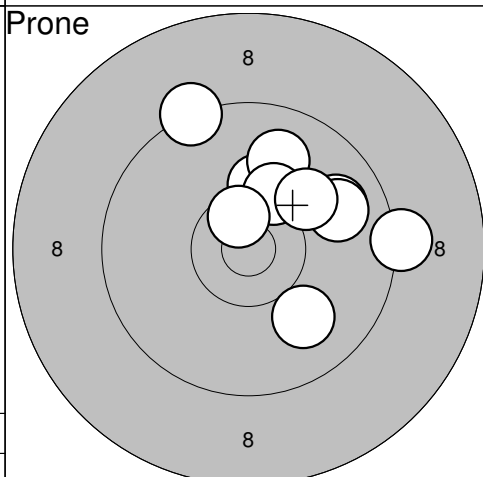
Prone



- 21: 9,3    ↗
- 22: 9,7    ↗
- 23: 8,5    ↑
- 24: 9,4    ↑
- 25: 9,7    ↗
- 26: 10,5\*    ↑
- 27: 9,6    ↑
- 28: 9,5    ←
- 29: 9,4    ↗
- 30: 9,2    →

Serie 90,0  
Totalt 274,0

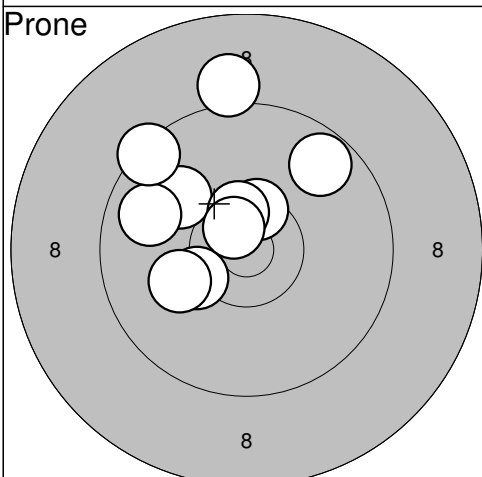
Prone



- 31: 10,2    ↑
- 32: 9,9    ↑
- 33: 9,9    →
- 34: 10,0    ↓
- 35: 10,3    ↑
- 36: 10,6\*    ↑
- 37: 9,9    →
- 38: 10,1    ↗
- 39: 9,2    →
- 40: 9,3    ↑

Serie 95,0  
Totalt 369,0

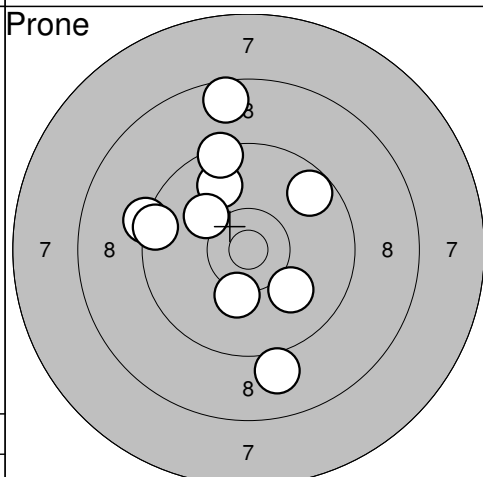
Prone



- 41: 9,7    ↗
- 42: 10,5\*    ↑
- 43: 9,1    ↑
- 44: 10,3\*    ←
- 45: 10,0    ↗
- 46: 10,1    ←
- 47: 9,8    ←
- 48: 10,5\*    ↑
- 49: 10,7\*    ↗
- 50: 9,4    ↗

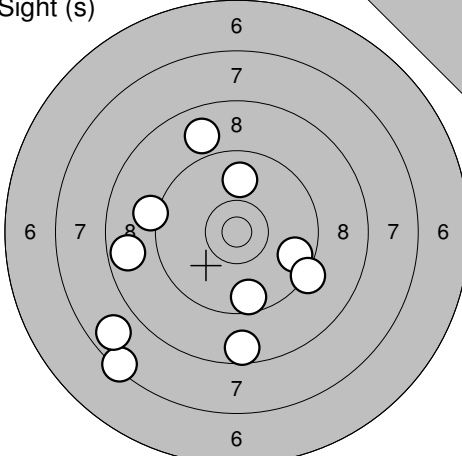
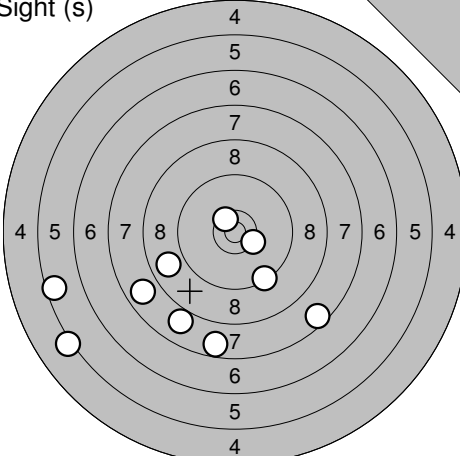
Serie 96,0  
Totalt 465,0

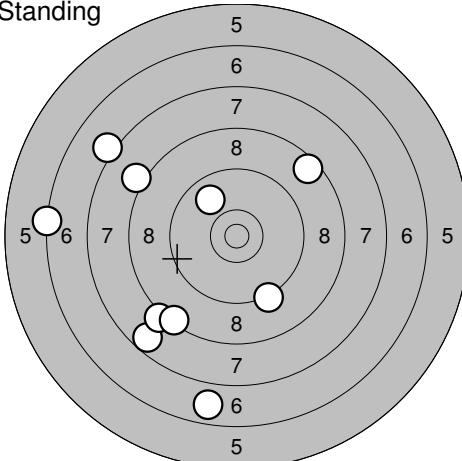
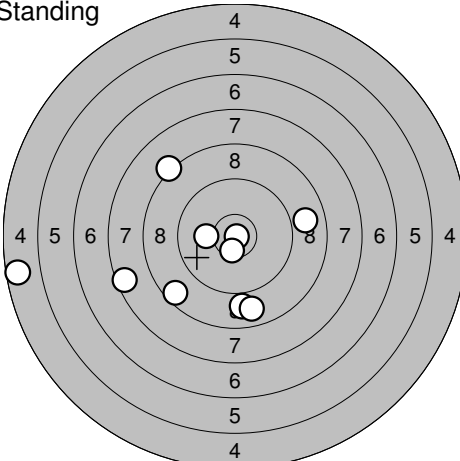
Prone

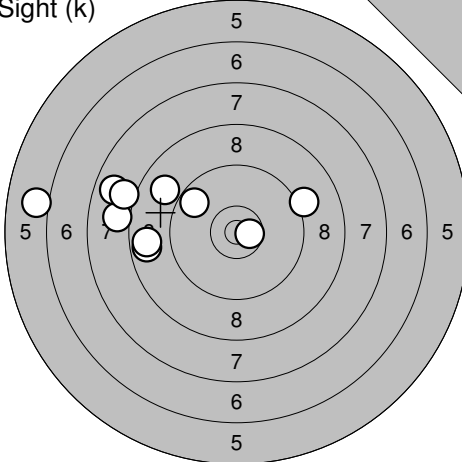
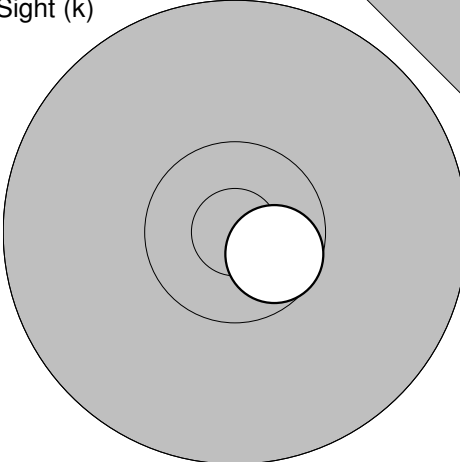


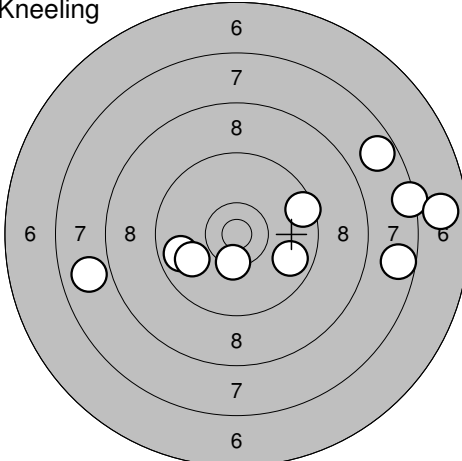
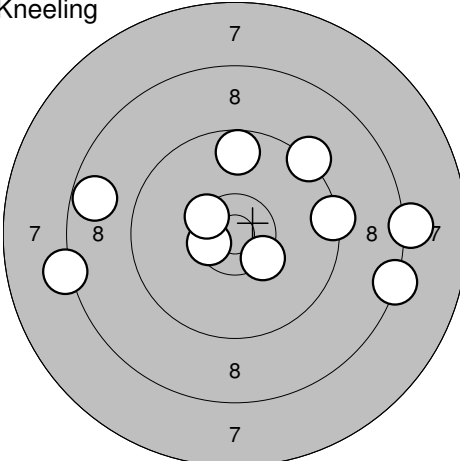
- 51: 9,0    ↓
- 52: 10,0    ↓
- 53: 8,6    ↑
- 54: 9,7    ↗
- 55: 9,3    ←
- 56: 9,9    ↗
- 57: 10,2    ↓
- 58: 10,1    ↗
- 59: 9,5    ←
- 60: 9,4    ↑

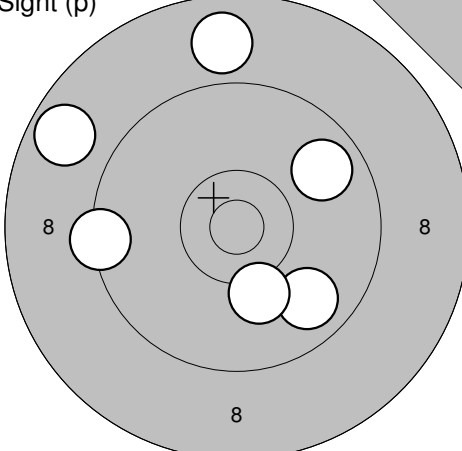
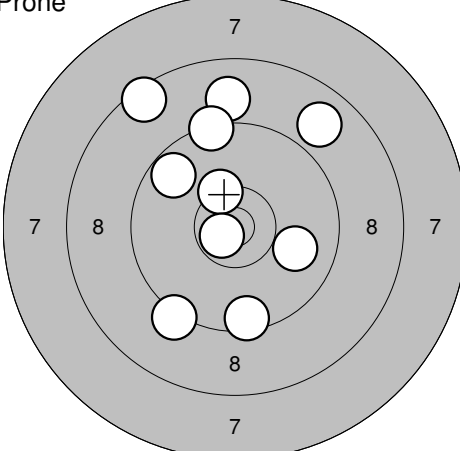
Serie 92,0  
Totalt 557,0

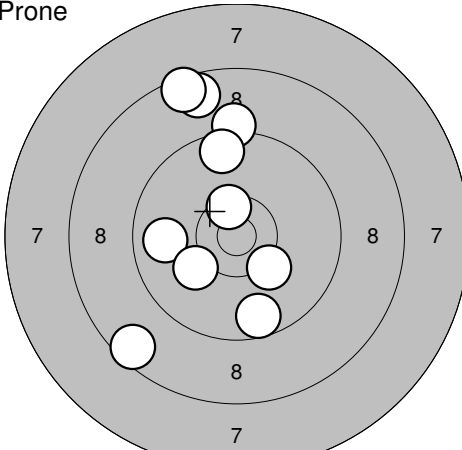
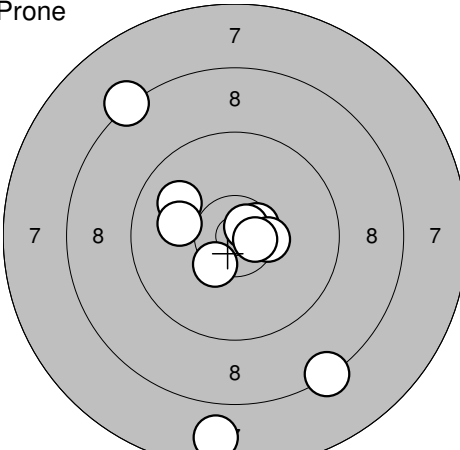
<p>Sight (s)</p> 	<p>1: 9,2 ← 2: 7,4 ↘ 3: 7,8 ↙ 4: 8,7 ← 5: 8,9 ↑ 6: 9,7 → 7: 9,9 ↑ 8: 8,6 ↓ 9: 9,6 ↓ 10: 9,3 ↘</p> <p>Serie 83,0 Totalt 557,0</p>	<p>Sight (s)</p> 	<p>11: 8,8 ← 12: 7,6 ↘ 13: 7,8 ↙ 14: 9,4 ↘ 15: 7,7 ↓ 16: 10,3* → 17: 8,0 ↓ 18: 5,2 ← 19: 5,5 ← 20: 10,5* ↗</p> <p>Serie 76,0 Totalt 557,0</p>
---------------------------------------------------------------------------------------------------	--------------------------------------------------------------------------------------------------------------------------------------------------------------------------	-----------------------------------------------------------------------------------------------------	---------------------------------------------------------------------------------------------------------------------------------------------------------------------------------------

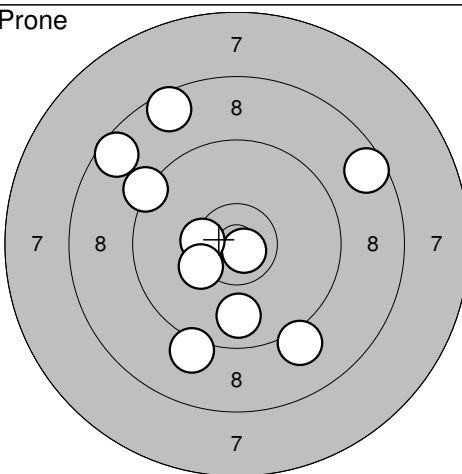
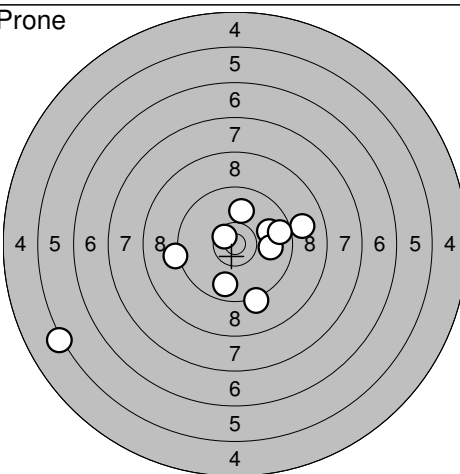
<p>Standing</p> 	<p>1: 9,3 ↓ 2: 8,1 ↗ 3: 9,9 ↗ 4: 6,8 ↓ 5: 6,3 ← 6: 7,1 ↗ 7: 7,7 ↓ 8: 8,2 ↓ 9: 8,6 ↗ 10: 8,4 ↘</p> <p>Serie 76,0 Totalt 633,0</p>	<p>Standing</p> 	<p>11: 8,6 ← 12: 10,9* → 13: 8,3 ↗ 14: 4,7 ← 15: 7,6 ← 16: 10,5* ↓ 17: 8,9 → 18: 8,9 ↓ 19: 10,1 ← 20: 8,8 ↓</p> <p>Serie 81,0 Totalt 714,0</p>
---------------------------------------------------------------------------------------------------	--------------------------------------------------------------------------------------------------------------------------------------------------------------------------	-----------------------------------------------------------------------------------------------------	----------------------------------------------------------------------------------------------------------------------------------------------------------------------------------------

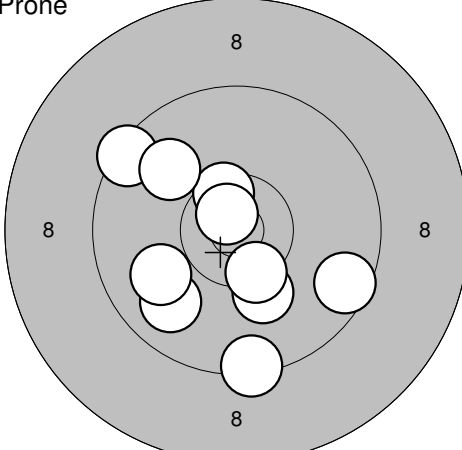
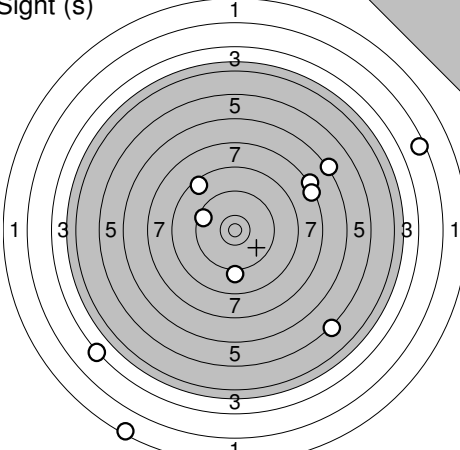
<p>Sight (k)</p> 	<p>1: 8,7 ← 2: 6,0 ← 3: 8,0 ← 4: 8,8 ← 5: 7,8 ← 6: 8,1 ← 7: 9,7 ↗ 8: 8,9 ↗ 9: 9,2 → 10: 10,6* →</p> <p>Serie 81,0 Totalt 714,0</p>	<p>Sight (k)</p> 	<p>11: 10,6* →</p> <p>Serie 10,0 Totalt 714,0</p>
-----------------------------------------------------------------------------------------------------	----------------------------------------------------------------------------------------------------------------------------------------------------------------------------	-------------------------------------------------------------------------------------------------------	-------------------------------------------------------

<p>Kneeling</p> 	<p>1: 7,7 → 2: 7,4 → 3: 7,7 ↗ 4: 9,8 → 5: 9,5 → 6: 9,8 ← 7: 9,9 ← 8: 10,4* ↓ 9: 7,9 ← 10: 6,8 →</p> <p>Serie 80,0 Totalt 794,0</p>	<p>Kneeling</p> 	<p>11: 8,3 → 12: 9,4 → 13: 10,5* ← 14: 10,4* ↗ 15: 9,3 ↗ 16: 8,7 ← 17: 8,2 → 18: 9,7 ↑ 19: 10,4* ↘ 20: 8,2 ←</p> <p>Serie 89,0 Totalt 883,0</p>
----------------------------------------------------------------------------------------------------	----------------------------------------------------------------------------------------------------------------------------------------------------------------------------	------------------------------------------------------------------------------------------------------	-----------------------------------------------------------------------------------------------------------------------------------------------------------------------------------------

<p>Sight (p)</p> 	<p>1: 8,8 ↑ 2: 8,7 ↖ 3: 9,8 ↗ 4: 9,4 ← 5: 9,8 ↘ 6: 10,1 ↓</p> <p>Serie 53,0 Totalt 0,0</p>	<p>Prone</p> 	<p>1: 9,5 ↓ 2: 9,2 ↘ 3: 9,7 ↗ 4: 8,9 ↗ 5: 10,4* ↑ 6: 8,9 ↑ 7: 10,7* ↖ 8: 9,9 → 9: 9,4 ↑ 10: 8,5 ↗</p> <p>Serie 89,0 Totalt 89,0</p>
---------------------------------------------------------------------------------------------------	--------------------------------------------------------------------------------------------------------------------	-------------------------------------------------------------------------------------------------	-----------------------------------------------------------------------------------------------------------------------------------------------------------------------------

<p>Prone</p> 	<p>11: 9,8 ← 12: 9,2 ↑ 13: 10,2 ↘ 14: 8,7 ↑ 15: 8,5 ↑ 16: 10,1 ↖ 17: 9,6 ↘ 18: 10,5* ↑ 19: 9,6 ↑ 20: 8,6 ↘</p> <p>Serie 90,0 Totalt 179,0</p>	<p>Prone</p> 	<p>21: 7,8 ↓ 22: 8,3 ↓ 23: 10,6* → 24: 10,7* ↗ 25: 10,4* → 26: 9,9 ↗ 27: 8,3 ↗ 28: 10,4* ↘ 29: 10,6* → 30: 10,1 ←</p> <p>Serie 92,0 Totalt 271,0</p>
------------------------------------------------------------------------------------------------	---------------------------------------------------------------------------------------------------------------------------------------------------------------------------------------	--------------------------------------------------------------------------------------------------	----------------------------------------------------------------------------------------------------------------------------------------------------------------------------------------------

<p>Prone</p> 	<p>31: 8,6 ↗ 32: 9,8 ↓ 33: 8,6 ↗ 34: 9,1 ↘ 35: 8,6 ↗ 36: 10,8* ↘ 37: 9,1 ↘ 38: 9,3 ↗ 39: 10,4* ← 40: 10,3 ↖</p> <p>Serie 90,0 Totalt 361,0</p>	<p>Prone</p> 	<p>41: 9,9 → 42: 9,8 ↓ 43: 5,2 ← 44: 10,0 ↑ 45: 9,0 → 46: 9,2 ↓ 47: 9,9 → 48: 9,6 → 49: 9,2 ← 50: 10,6* ↗</p> <p>Serie 88,0 Totalt 449,0</p>
-------------------------------------------------------------------------------------------------	----------------------------------------------------------------------------------------------------------------------------------------------------------------------------------------	---------------------------------------------------------------------------------------------------	--------------------------------------------------------------------------------------------------------------------------------------------------------------------------------------

<p>Prone</p> 	<p>51: 10,2 ↓ 52: 10,4* ↓ 53: 9,6 ↘ 54: 9,8 ↘ 55: 10,5* ↗ 56: 9,4 ↗ 57: 9,9 ↖ 58: 9,9 ↗ 59: 10,7* ↗ 60: 9,4 ↓</p> <p>Serie 94,0 Totalt 543,0</p>	<p>Sight (s)</p> 	<p>1: 9,1 ↓ 2: 8,6 ↗ 3: 5,2 ↘ 4: 7,3 ↗ 5: 7,4 ↗ 6: 1,4 ↓ 7: 3,3 ↖ 8: 9,5 ↖ 9: 6,2 ↗ 10: 2,5 →</p> <p>Serie 57,0 Totalt 543,0</p>
-------------------------------------------------------------------------------------------------	------------------------------------------------------------------------------------------------------------------------------------------------------------------------------------------	-------------------------------------------------------------------------------------------------------	--------------------------------------------------------------------------------------------------------------------------------------------------------------------------

<p><b>Sight (s)</b></p>	<p><b>Standing</b></p>	<table border="1" style="width:100%; border-collapse: collapse;"> <tr> <td style="text-align: right;">Serie</td> <td style="text-align: left;">20,0</td> </tr> <tr> <td style="text-align: right;">Totalt</td> <td style="text-align: left;">543,0</td> </tr> </table>	Serie	20,0	Totalt	543,0
Serie	20,0					
Totalt	543,0					

<p><b>Standing</b></p>	<p><b>Sight (k)</b></p>	<table border="1" style="width:100%; border-collapse: collapse;"> <tr> <td style="text-align: right;">Serie</td> <td style="text-align: left;">49,0</td> </tr> <tr> <td style="text-align: right;">Totalt</td> <td style="text-align: left;">658,0</td> </tr> </table>	Serie	49,0	Totalt	658,0
Serie	49,0					
Totalt	658,0					

<p><b>Sight (k)</b></p>	<p><b>Kneeling</b></p>	<table border="1" style="width:100%; border-collapse: collapse;"> <tr> <td style="text-align: right;">Serie</td> <td style="text-align: left;">38,0</td> </tr> <tr> <td style="text-align: right;">Totalt</td> <td style="text-align: left;">658,0</td> </tr> </table>	Serie	38,0	Totalt	658,0
Serie	38,0					
Totalt	658,0					

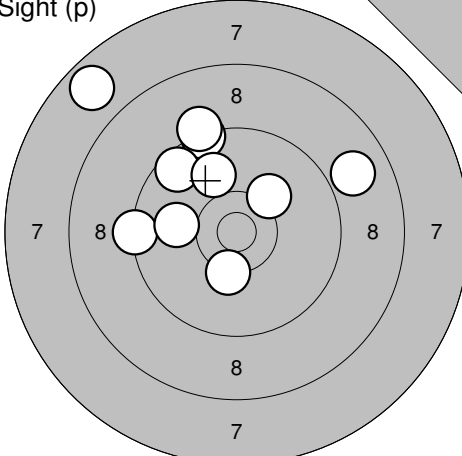
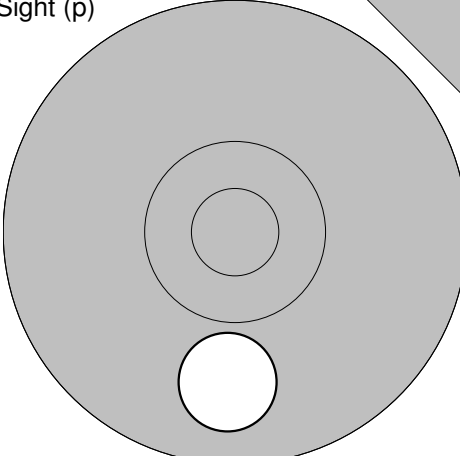
<p><b>Kneeling</b></p>	<table border="1" style="width:100%; border-collapse: collapse;"> <tr> <td style="text-align: right;">Serie</td> <td style="text-align: left;">74,0</td> </tr> <tr> <td style="text-align: right;">Totalt</td> <td style="text-align: left;">806,0</td> </tr> </table>	Serie	74,0	Totalt	806,0	
Serie	74,0					
Totalt	806,0					

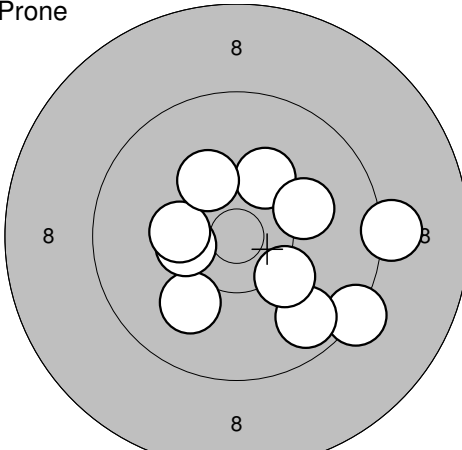
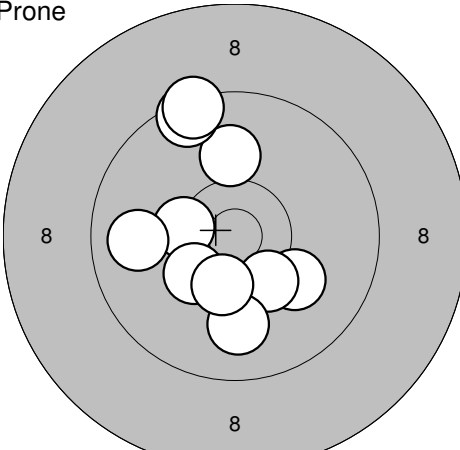
<p>Sight (p)</p>	<p>Sight (p)</p>	
1: 7,7 ↗ 2: 9,8 ↑ 3: 9,0 ↗ 4: 8,8 ↑ 5: 10,0 ↑ 6: 9,2 ↑ 7: 10,5* → 8: 9,0 ↓ 9: 7,1 ↓ 10: 9,1 ←	11: 10,0 ← 12: 8,8 → 13: 10,6* ↓ 14: 9,0 ↑ 15: 10,2 ↓	
Serie 87,0 Totalt 0,0	Serie 47,0 Totalt 0,0	

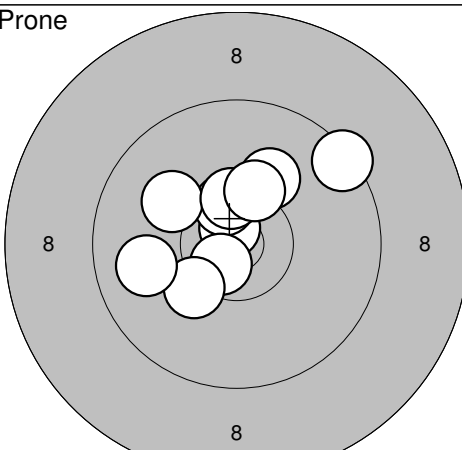
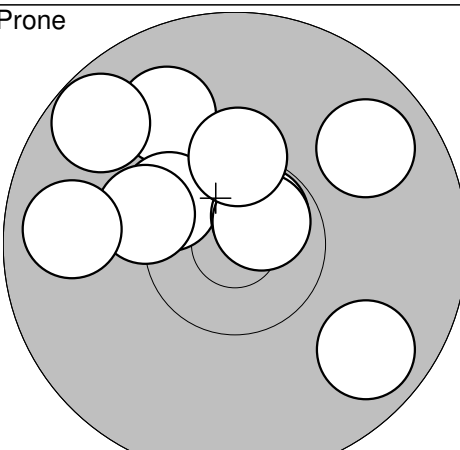
<p>Prone</p>	<p>Prone</p>	
1: 9,5 ← 2: 8,9 ↗ 3: 10,4* ← 4: 9,7 ↘ 5: 9,1 ↓ 6: 8,8 ↓ 7: 9,9 ← 8: 8,6 ↘ 9: 8,4 ↓ 10: 8,6 ↘	11: 8,4 ↓ 12: 9,6 ← 13: 7,9 → 14: 8,6 → 15: 7,0 ↓ 16: 8,6 ↑ 17: 9,7 ↗ 18: 10,2 → 19: 10,6* ↓ 20: 8,1 ↓	
Serie 86,0 Totalt 86,0	Serie 84,0 Totalt 170,0	

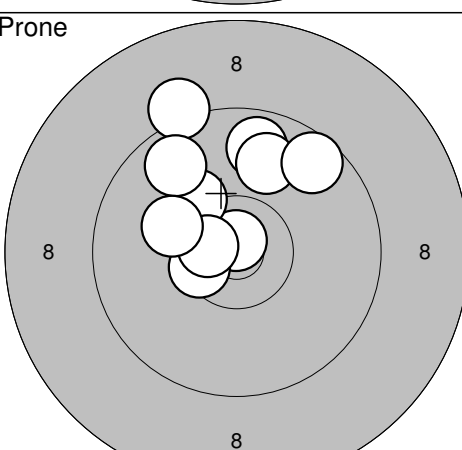
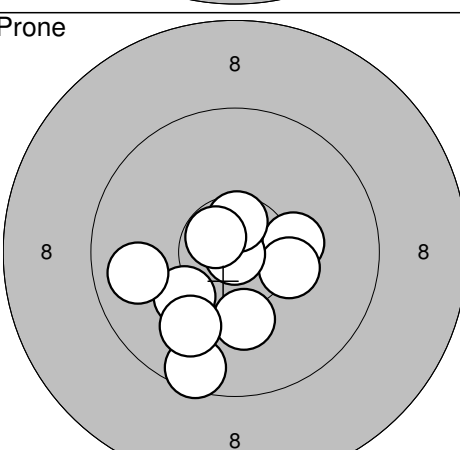
<p>Prone</p>	<p>Prone</p>	
21: 9,3 → 22: 10,5* → 23: 9,5 ↑ 24: 10,2 ↗ 25: 9,4 → 26: 7,2 ↘ 27: 10,4* ↓ 28: 9,5 → 29: 9,3 ↗ 30: 9,0 ↓	31: 8,1 ↗ 32: 9,2 → 33: 9,0 ↗ 34: 10,8* ↗ 35: 9,7 ↓ 36: 7,9 ↘ 37: 7,7 ↑ 38: 9,7 ↘ 39: 9,3 → 40: 10,8* ↗	
Serie 91,0 Totalt 261,0	Serie 87,0 Totalt 348,0	

<p>Prone</p>	<p>Prone</p>	
41: 10,4* ↑ 42: 8,8 ← 43: 10,3* ↓ 44: 9,7 ↗ 45: 9,5 → 46: 9,2 ↑ 47: 9,5 ↘ 48: 8,2 → 49: 10,3 ↗ 50: 9,5 ↗	51: 9,5 ↓ 52: 10,0 → 53: 9,2 ↗ 54: 10,4* ↘ 55: 9,3 → 56: 9,2 ↘ 57: 10,6* ↓ 58: 9,7 ↗ 59: 9,1 ↓ 60: 9,5 ↓	
Serie 91,0 Totalt 439,0	Serie 93,0 Totalt 532,0	

<p>Sight (p)</p> 	<p>1: 9,4 ↗                  2: 10,2 ↗                  3: 10,3* ↓                  4: 9,4 ←                  5: 9,6 ↗                  6: 10,0 ←                  7: 9,2 ↗                  8: 7,7 ↗                  9: 10,0 ↗                  10: 8,9 ↗</p> <p>Serie 91,0 Totalt 0,0</p>	<p>Sight (p)</p> 	<p>11: 9,9 ↓</p> <p>Serie 9,0 Totalt 0,0</p>
---------------------------------------------------------------------------------------------------	--------------------------------------------------------------------------------------------------------------------------------------------------------------------------------------------------------------------------------------------------------------------------------------------------------------------------------------	-----------------------------------------------------------------------------------------------------	--------------------------------------------------

<p>Prone</p> 	<p>1: 10,2 ↗                  2: 10,0 ↓                  3: 10,1 →                  4: 10,4* ←                  5: 9,2 →                  6: 9,3 ↓                  7: 9,7 ↓                  8: 10,2 ↓                  9: 10,3* ←                  10: 10,2 ↗</p> <p>Serie 97,0 Totalt 97,0</p>	<p>Prone</p> 	<p>11: 10,1 ↘                  12: 10,3* ↓                  13: 10,4* ←                  14: 9,8 ←                  15: 10,3* ↘                  16: 10,0 ↑                  17: 9,9 ↓                  18: 9,5 ↗                  19: 10,4* ↓                  20: 9,4 ↗</p> <p>Serie 96,0 Totalt 193,0</p>
------------------------------------------------------------------------------------------------	-------------------------------------------------------------------------------------------------------------------------------------------------------------------------------------------------------------------------------------------------------------------------------------------------------------------------------------------	--------------------------------------------------------------------------------------------------	------------------------------------------------------------------------------------------------------------------------------------------------------------------------------------------------------------------------------------------------------------------------------------------------------------------------------------------------------

<p>Prone</p> 	<p>21: 10,8* ↗                  22: 10,5* ↗                  23: 10,1 ↗                  24: 10,7* ↓                  25: 10,4* ↗                  26: 10,1 ↗                  27: 10,3* ↗                  28: 10,3 ↓                  29: 9,4 ↗                  30: 9,9 ←</p> <p>Serie 98,0 Totalt 291,0</p>	<p>Prone</p> 	<p>31: 9,9 ↗                  32: 9,8 ↘                  33: 10,4* ↗                  34: 10,3 ←                  35: 10,7* ↗                  36: 9,8 ←                  37: 10,7* ↗                  38: 9,7 ↗                  39: 10,3* ↑                  40: 9,8 ↗</p> <p>Serie 95,0 Totalt 386,0</p>
-------------------------------------------------------------------------------------------------	---------------------------------------------------------------------------------------------------------------------------------------------------------------------------------------------------------------------------------------------------------------------------------------------------------------------------------------------------------	---------------------------------------------------------------------------------------------------	-----------------------------------------------------------------------------------------------------------------------------------------------------------------------------------------------------------------------------------------------------------------------------------------------------------------------------------------------------

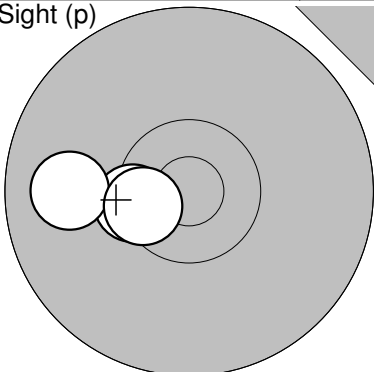
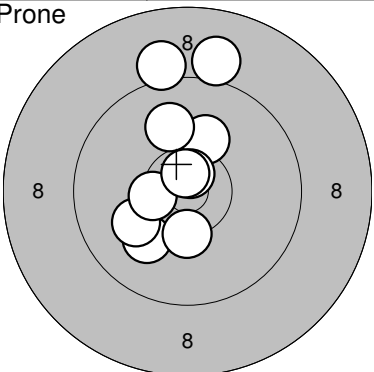
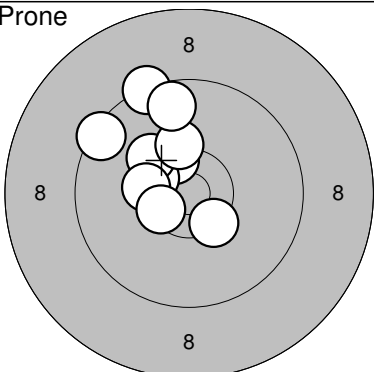
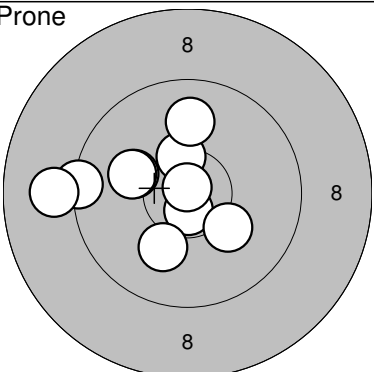
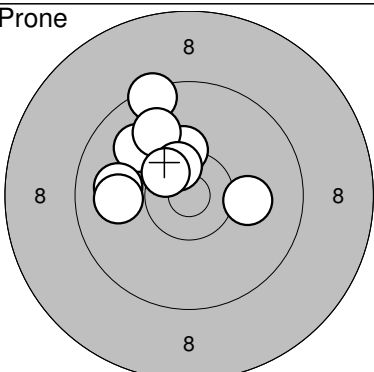
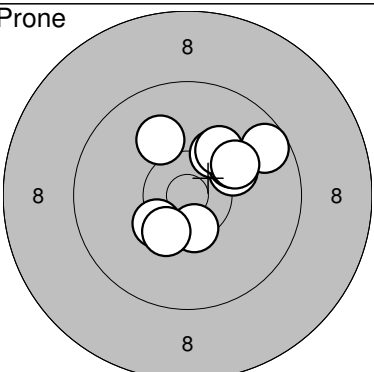
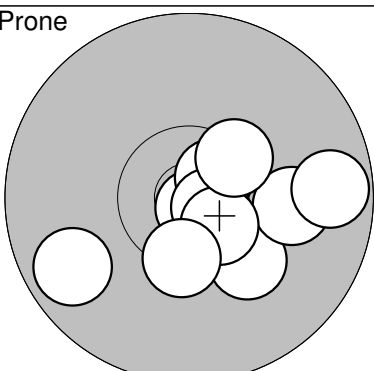
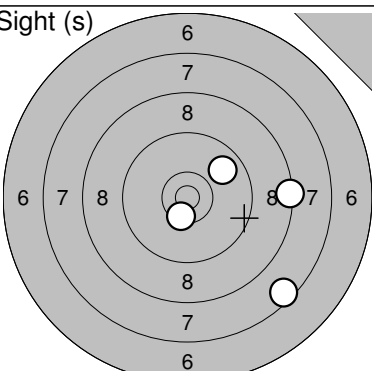
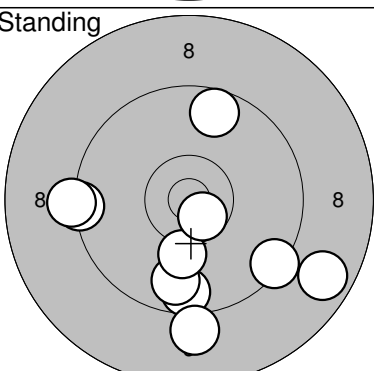
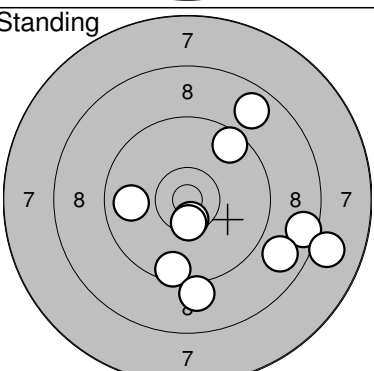
<p>Prone</p> 	<p>41: 10,8* ↗                  42: 10,2 ↗                  43: 9,7 ↗                  44: 9,9 ↗                  45: 10,5* ←                  46: 10,6* ←                  47: 9,6 ↗                  48: 9,2 ↗                  49: 9,7 ↗                  50: 10,2 ←</p> <p>Serie 95,0 Totalt 481,0</p>	<p>Prone</p> 	<p>51: 10,3 →                  52: 10,2 ↘                  53: 9,6 ↓                  54: 10,3* →                  55: 10,2 ↓                  56: 10,9* ↓                  57: 10,6* ↑                  58: 10,7* ↗                  59: 9,8 ←                  60: 10,0 ↓</p> <p>Serie 98,0 Totalt 579,0</p>
-------------------------------------------------------------------------------------------------	----------------------------------------------------------------------------------------------------------------------------------------------------------------------------------------------------------------------------------------------------------------------------------------------------------------------------------------------------	---------------------------------------------------------------------------------------------------	--------------------------------------------------------------------------------------------------------------------------------------------------------------------------------------------------------------------------------------------------------------------------------------------------------------------------------------------------------

Umeå

2011-04-10

Startskottet 2011

Umeå skytteallians

<p>Sight (p)</p> 	<p>1: 10,4* ← 2: 9,9 ←← 3: 10,5* ←</p> <hr/> <p>Serie 29,0 Totalt 0,0</p>	<p>Prone</p> 	<p>1: 10,1 ↘ 2: 10,2 ↑ 3: 10,3* ↓ 4: 10,0 ↑ 5: 10,1 ← 6: 10,7* ↑ 7: 9,1 ↑ 8: 10,5* ← 9: 9,0 ↑ 10: 10,7* ↑</p> <hr/> <p>Serie 98,0 Totalt 98,0</p>
<p>Prone</p> 	<p>11: 9,4 ↗ 12: 10,4* ↗ 13: 10,4* ↗ 14: 9,4 ↗ 15: 10,2 ↗ 16: 10,4* ↗ 17: 10,2 ↗ 18: 9,7 ↗ 19: 10,3* ↗ 20: 10,5* ↗</p> <hr/> <p>Serie 97,0 Totalt 195,0</p>	<p>Prone</p> 	<p>21: 10,7* ↓ 22: 9,4 ← 23: 9,0 ← 24: 10,4* ↑ 25: 10,9* ↑ 26: 10,2 ↘ 27: 10,1 ← 28: 10,1 ← 29: 10,1 ↓ 30: 9,9 ↑</p> <hr/> <p>Serie 97,0 Totalt 292,0</p>
<p>Prone</p> 	<p>31: 10,1 → 32: 9,5 → 33: 10,4* → 34: 10,3* → 35: 10,0 → 36: 9,9 ↗ 37: 9,9 ↗ 38: 10,5* ↗ 39: 10,5* ↗ 40: 9,9 ←</p> <hr/> <p>Serie 96,0 Totalt 388,0</p>	<p>Prone</p> 	<p>41: 10,2 → 42: 10,2 ↗ 43: 9,6 → 44: 10,2 → 45: 10,5* ↓ 46: 10,4* ↓ 47: 10,1 ↗ 48: 10,2 ↗ 49: 10,3* ↓ 50: 10,1 →</p> <hr/> <p>Serie 99,0 Totalt 487,0</p>
<p>Prone</p> 	<p>51: 10,2 ↓ 52: 10,0 → 53: 10,8* ↓ 54: 9,7 → 55: 10,7* ↗ 56: 9,7 ↗ 57: 10,7* ↗ 58: 10,6* ↗ 59: 10,4* ↓ 60: 10,4* ↗</p> <hr/> <p>Serie 98,0 Totalt 585,0</p>	<p>Sight (s)</p> 	<p>1: 9,8 ↗ 2: 8,4 → 3: 7,5 ↓ 4: 10,4* ↓</p> <hr/> <p>Serie 34,0 Totalt 585,0</p>
<p>Standing</p> 	<p>1: 8,7 ↓ 2: 9,4 ↓ 3: 9,6 ↓ 4: 9,4 ← 5: 9,1 ↓ 6: 9,8 ↓ 7: 9,3 ← 8: 10,2 ↓ 9: 9,7 ↓ 10: 10,6* ↓</p> <hr/> <p>Serie 91,0 Totalt 676,0</p>	<p>Standing</p> 	<p>11: 8,6 → 12: 9,5 ↓ 13: 9,6 ↗ 14: 8,0 → 15: 10,5* ↓ 16: 9,1 ↓ 17: 8,8 → 18: 10,5* ↓ 19: 8,8 ↗ 20: 9,8 ←</p> <hr/> <p>Serie 88,0 Totalt 764,0</p>

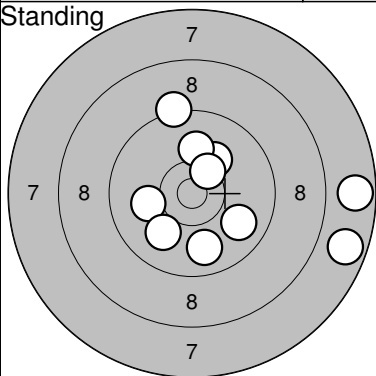
Umeå

2011-04-10

Startskottet 2011

Umeå skytteallians

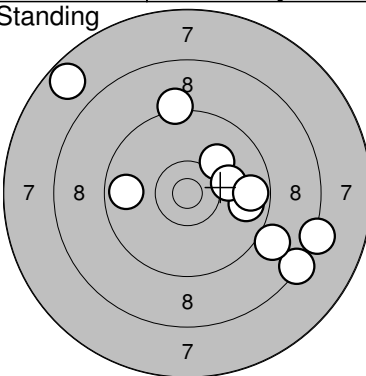
Standing



21: 10,2 ↗  
 22: 10,1 ←  
 23: 7,7 →  
 24: 9,8 ↓  
 25: 9,3 ↗  
 26: 10,0 ↓  
 27: 7,7 →  
 28: 10,1 ↗  
 29: 9,9 ↓  
 30: 10,4\* ↗

Serie 91,0  
 Totalt 855,0

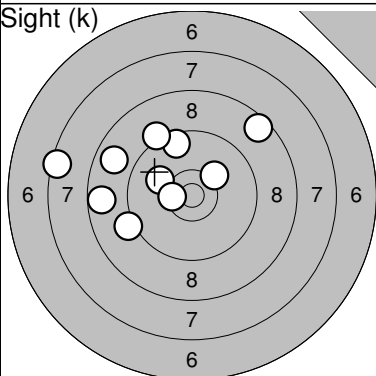
Standing



31: 10,1 ↗  
 32: 9,2 ↑  
 33: 9,8 →  
 34: 8,2 →  
 35: 8,3 ↓  
 36: 9,0 ↓  
 37: 10,1 →  
 38: 9,7 →  
 39: 9,7 ←  
 40: 7,7 ↗

Serie 88,0  
 Totalt 943,0

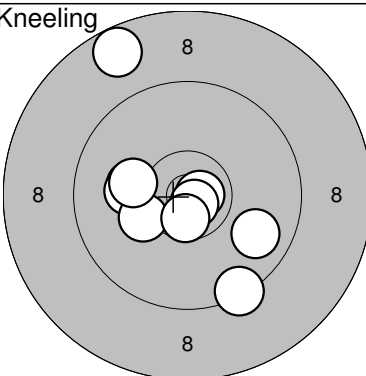
Sight (k)



1: 9,2 ←  
 2: 7,5 ←  
 3: 10,2 ↗  
 4: 8,6 ↗  
 5: 9,6 ↗  
 6: 8,8 ↗  
 7: 8,7 ←  
 8: 10,1 ↗  
 9: 9,2 ↗  
 10: 10,5\* ←

Serie 88,0  
 Totalt 943,0

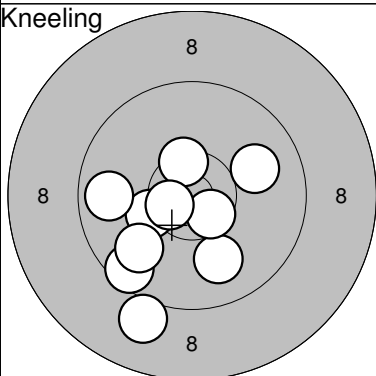
Kneeling



1: 9,8 ↓  
 2: 10,8\* →  
 3: 10,1 ←  
 4: 9,4 ↓  
 5: 8,7 ↗  
 6: 10,1 ←  
 7: 10,2 ←  
 8: 10,2 ←  
 9: 10,8\* ↓  
 10: 10,6\* ↓

Serie 96,0  
 Totalt 1039,0

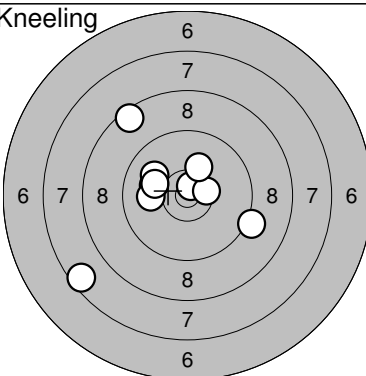
Kneeling



11: 10,0 →  
 12: 10,5\* ↗  
 13: 10,0 ↓  
 14: 9,6 ↓  
 15: 10,3\* ↗  
 16: 10,6\* ↓  
 17: 9,8 ←  
 18: 9,0 ↓  
 19: 9,9 ↓  
 20: 10,6\* ←

Serie 96,0  
 Totalt 1135,0

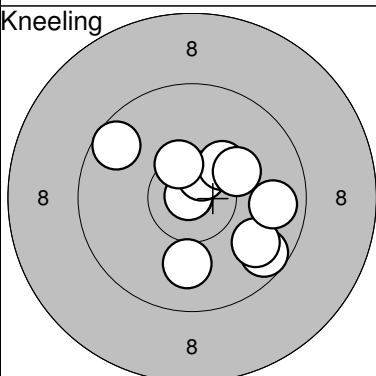
Kneeling



21: 10,7\* ↗  
 22: 7,6 ←  
 23: 10,5\* →  
 24: 10,1 ←  
 25: 10,2 ↗  
 26: 10,0 ←  
 27: 10,0 ↗  
 28: 8,5 ↗  
 29: 9,2 ↘  
 30: 10,1 ←

Serie 94,0  
 Totalt 1229,0

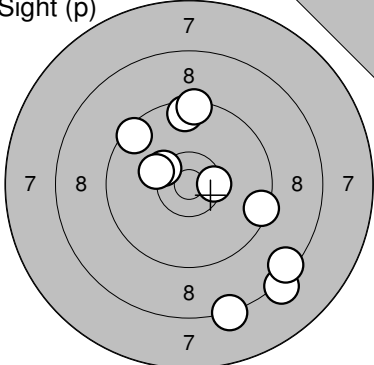
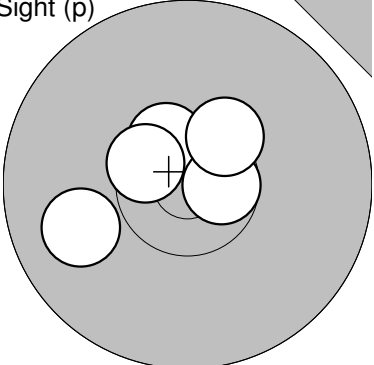
Kneeling

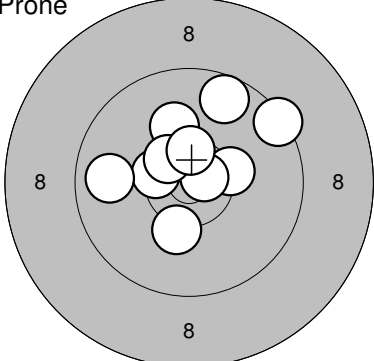
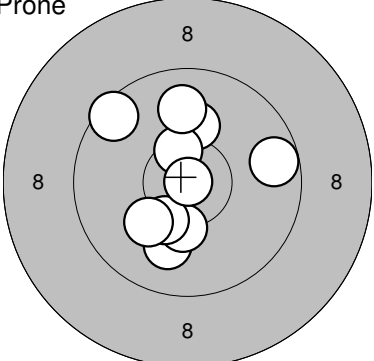


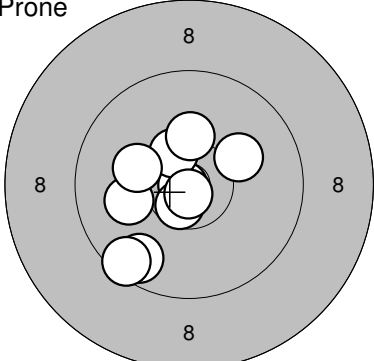
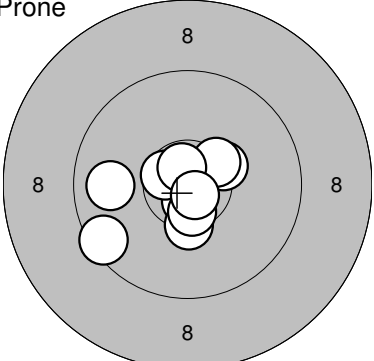
31: 10,9\* ↗  
 32: 10,6\* ↗  
 33: 9,6 ↗  
 34: 9,6 ↗  
 35: 10,3\* ↗  
 36: 10,0 ↓  
 37: 10,2 ↗  
 38: 10,4\* ↗  
 39: 9,8 ↓  
 40: 9,8 →

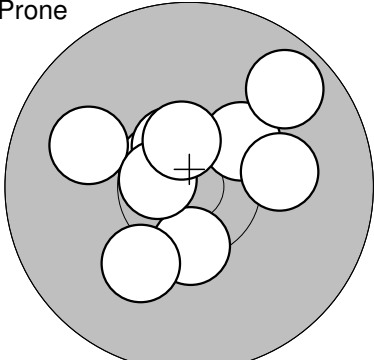
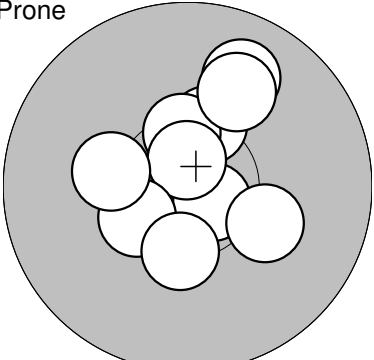
Serie 96,0  
 Totalt 1325,0

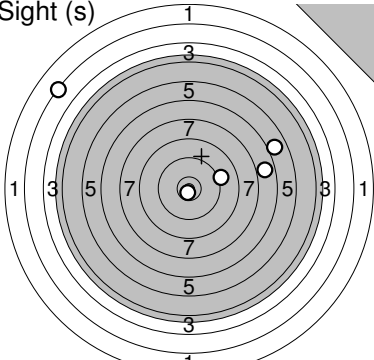
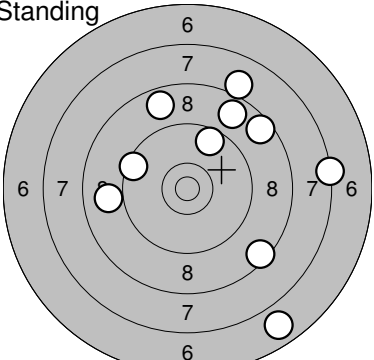


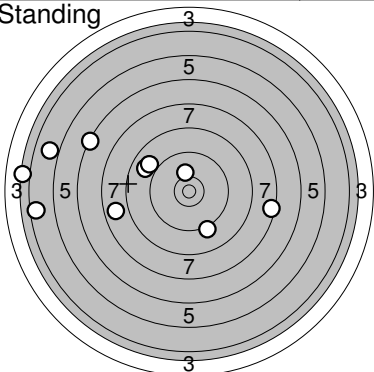
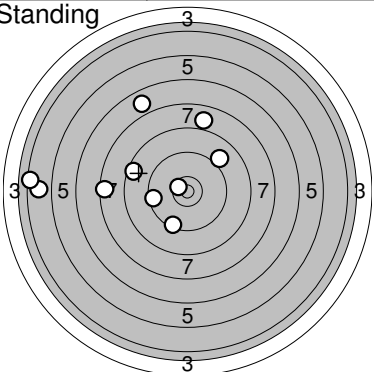
Sight (p) 	1: 9,4 → 2: 8,3 ↓ 3: 8,2 ↓ 4: 10,4* → 5: 8,5 ↓ 6: 9,5 ↓ 7: 9,6 ↑ 8: 10,4* ↑ 9: 9,4 ↑ 10: 10,3 ↑ <hr/> Serie 90,0 Totalt 0,0	Sight (p) 	11: 9,9 ← 12: 10,5* ↑ 13: 10,6* → 14: 10,4* ↗ 15: 10,5* ↖ <hr/> Serie 49,0 Totalt 0,0
-----------------------------------------------------------------------------------------------	--------------------------------------------------------------------------------------------------------------------------------------------------------------	-------------------------------------------------------------------------------------------------	---------------------------------------------------------------------------------------------------------

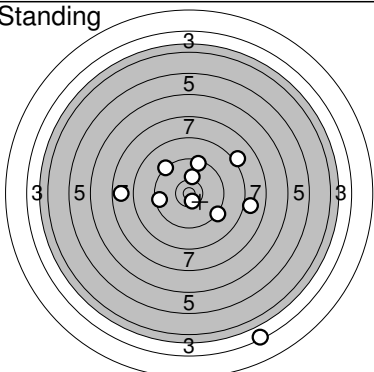
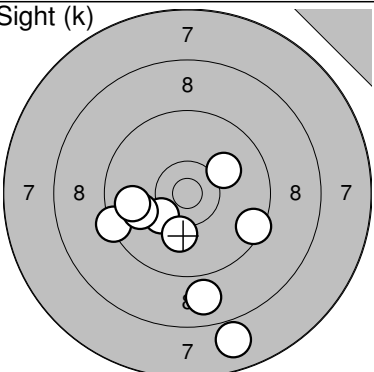
Prone 	1: 10,3* → 2: 10,7* → 3: 10,5* ← 4: 10,2 ↓ 5: 9,7 ↓ 6: 10,1 ↑ 7: 9,4 ↗ 8: 9,8 ↖ 9: 10,5* ↖ 10: 10,5* ↑ <hr/> Serie 97,0 Totalt 97,0	Prone 	11: 10,1 ↑ 12: 10,0 ↓ 13: 9,7 → 14: 10,5* ↑ 15: 10,3* ↓ 16: 9,5 ↖ 17: 10,3* ↓ 18: 10,9* → 19: 9,9 ↑ 20: 10,2 ↓ <hr/> Serie 97,0 Totalt 194,0
-------------------------------------------------------------------------------------------	----------------------------------------------------------------------------------------------------------------------------------------------------------------------	---------------------------------------------------------------------------------------------	-------------------------------------------------------------------------------------------------------------------------------------------------------------------------------

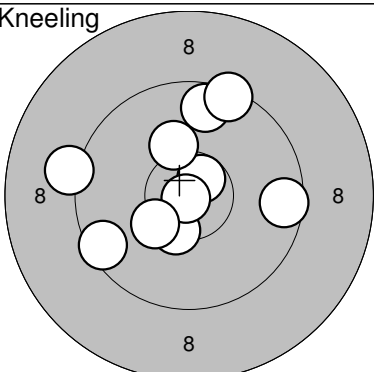
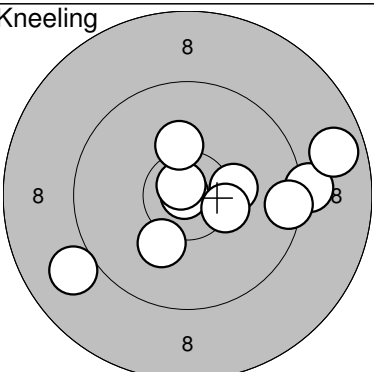
Prone 	21: 10,9* ← 22: 10,1 → 23: 10,1 ← 24: 9,7 ↓ 25: 10,5* ↗ 26: 10,2 ↖ 27: 10,6* ↖ 28: 10,3 ↓ 29: 9,5 ↓ 30: 10,8* ↓ <hr/> Serie 98,0 Totalt 292,0	Prone 	31: 10,4* → 32: 10,4* → 33: 10,7* ↓ 34: 10,4* ↓ 35: 10,6* ↖ 36: 9,5 ↖ 37: 10,7* ↑ 38: 10,5* ↓ 39: 10,8* ↓ 40: 9,8 ← <hr/> Serie 98,0 Totalt 390,0
--------------------------------------------------------------------------------------------	--------------------------------------------------------------------------------------------------------------------------------------------------------------------------------	----------------------------------------------------------------------------------------------	------------------------------------------------------------------------------------------------------------------------------------------------------------------------------------

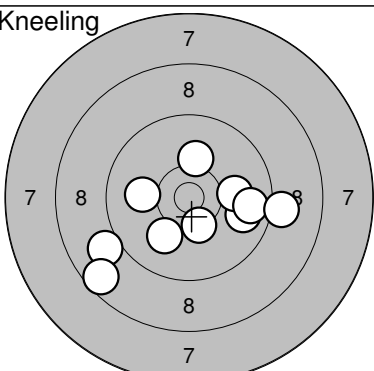
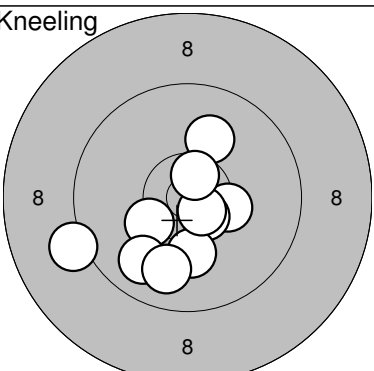
Prone 	41: 10,6* ↗ 42: 10,4* ↓ 43: 10,3* ↗ 44: 10,6* ↗ 45: 9,7 ↗ 46: 10,1 → 47: 10,0 ↗ 48: 10,1 ↓ 49: 10,7* ↖ 50: 10,5* ↑ <hr/> Serie 99,0 Totalt 489,0	Prone 	51: 10,7* → 52: 9,9 ↑ 53: 10,4* ↑ 54: 10,5* ↑ 55: 10,0 ↑ 56: 10,2 → 57: 10,7* ↑ 58: 10,4* ← 59: 10,3 ← 60: 10,4* ↓ <hr/> Serie 99,0 Totalt 588,0
---------------------------------------------------------------------------------------------	-----------------------------------------------------------------------------------------------------------------------------------------------------------------------------------	-----------------------------------------------------------------------------------------------	-----------------------------------------------------------------------------------------------------------------------------------------------------------------------------------

Sight (s) 	1: 2,4 ↗ 2: 6,0 → 3: 6,9 → 4: 10,8* ↓ 5: 9,2 → <hr/> Serie 33,0 Totalt 588,0	Standing 	1: 9,6 ↑ 2: 8,6 ↗ 3: 8,8 ↗ 4: 8,7 ↑ 5: 7,3 → 6: 8,0 ↑ 7: 8,5 ↓ 8: 9,5 ↖ 9: 6,8 ↓ 10: 8,9 ← <hr/> Serie 79,0 Totalt 667,0
-------------------------------------------------------------------------------------------------	------------------------------------------------------------------------------------------------	--------------------------------------------------------------------------------------------------	-----------------------------------------------------------------------------------------------------------------------------------------------------------

Standing 	11: 4,6 ← 12: 4,0 ↕ 13: 6,4 ↗ 14: 7,4 → 15: 10,2 → 16: 8,9 ↗ 17: 7,8 ← 18: 9,2 ↘ 19: 5,0 ↗ 20: 9,0 ↗ <hr/> Serie 69,0 Totalt 736,0	Standing 	21: 9,5 ← 22: 7,9 ↑ 23: 6,9 ↗ 24: 10,6* ↖ 25: 4,8 ← 26: 9,0 ↗ 27: 7,5 ← 28: 4,4 ← 29: 8,6 ↖ 30: 9,4 ↘ <hr/> Serie 73,0 Totalt 809,0
----------------------------------------------------------------------------------------------	---------------------------------------------------------------------------------------------------------------------------------------------------------------------	------------------------------------------------------------------------------------------------	----------------------------------------------------------------------------------------------------------------------------------------------------------------------

Standing 	31: 10,5* ↘ 32: 9,5 ← 33: 8,2 → 34: 10,2 ↑ 35: 9,3 ↘ 36: 9,5 ↗ 37: 7,8 ← 38: 8,0 → 39: 3,4 ↘ 40: 9,4 ↗ <hr/> Serie 82,0 Totalt 891,0	Sight (k) 	1: 7,9 ↘ 2: 8,9 ↘ 3: 10,1 → 4: 9,5 → 5: 10,3 ↘ 6: 9,4 ← 7: 10,0 ← 8: 9,9 ← 9: 10,1 ↘ <hr/> Serie 82,0 Totalt 891,0
----------------------------------------------------------------------------------------------	-----------------------------------------------------------------------------------------------------------------------------------------------------------------------	-------------------------------------------------------------------------------------------------	--------------------------------------------------------------------------------------------------------------------------------------------------

Kneeling 	1: 10,7* ↗ 2: 10,2 ↗ 3: 9,7 ↗ 4: 10,4* ↘ 5: 9,4 ↗ 6: 9,2 ← 7: 10,9* ↘ 8: 9,6 → 9: 10,3* ↘ 10: 9,5 ↘ <hr/> Serie 95,0 Totalt 986,0	Kneeling 	11: 10,3 → 12: 9,0 ← 13: 10,9* ← 14: 9,2 → 15: 10,8* ↗ 16: 10,4* → 17: 10,2 ↑ 18: 10,2 ↘ 19: 9,5 → 20: 8,8 → <hr/> Serie 95,0 Totalt 1081,0
-----------------------------------------------------------------------------------------------	--------------------------------------------------------------------------------------------------------------------------------------------------------------------	-------------------------------------------------------------------------------------------------	------------------------------------------------------------------------------------------------------------------------------------------------------------------------------

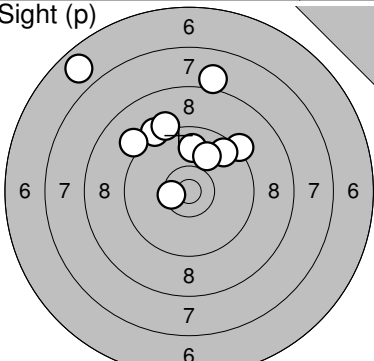
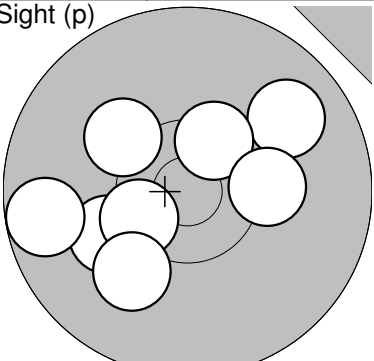
Kneeling 	21: 9,8 → 22: 9,0 ↘ 23: 10,0 ↘ 24: 10,0 → 25: 9,7 → 26: 8,6 ↘ 27: 10,2 ↗ 28: 10,4* ↘ 29: 10,0 ← 30: 9,1 → <hr/> Serie 94,0 Totalt 1175,0	Kneeling 	31: 10,3* ← 32: 9,9 ↘ 33: 10,1 ↑ 34: 10,3* → 35: 10,6* ↘ 36: 10,1 ↘ 37: 10,7* ↘ 38: 9,9 ↘ 39: 9,2 ← 40: 10,6* ↑ <hr/> Serie 97,0 Totalt 1272,0
------------------------------------------------------------------------------------------------	---------------------------------------------------------------------------------------------------------------------------------------------------------------------------	--------------------------------------------------------------------------------------------------	---------------------------------------------------------------------------------------------------------------------------------------------------------------------------------

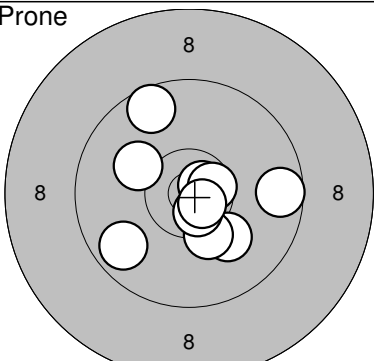
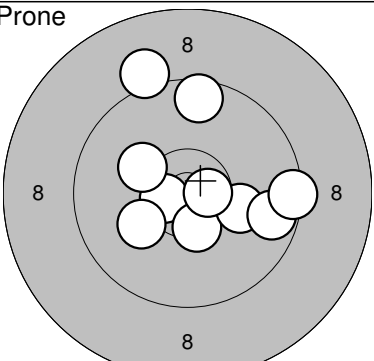
Kviberg

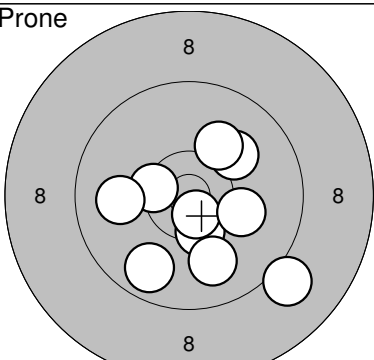
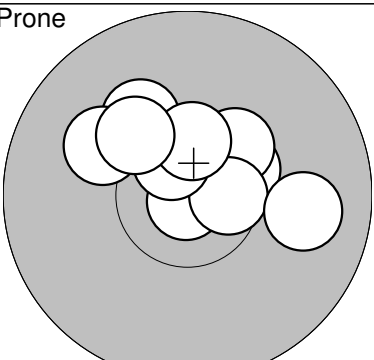
2011-04-10

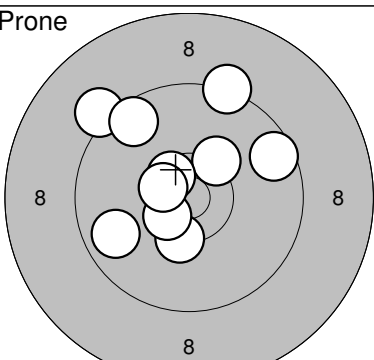
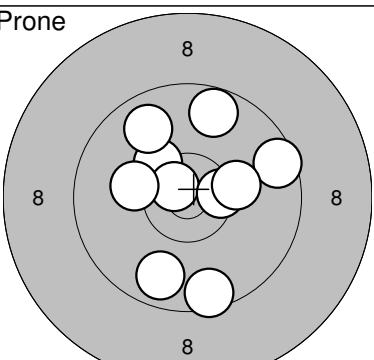
Startskottet 2011

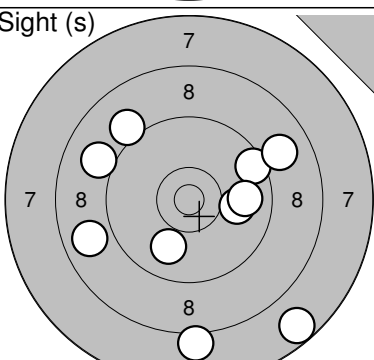
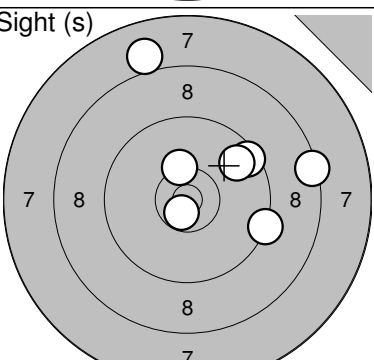
Umeå skytteallians

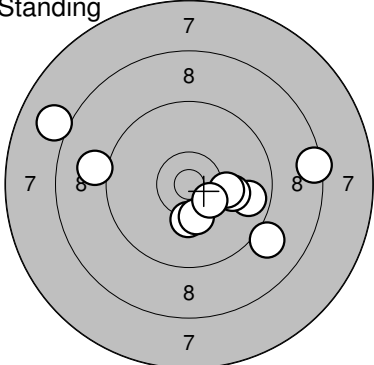
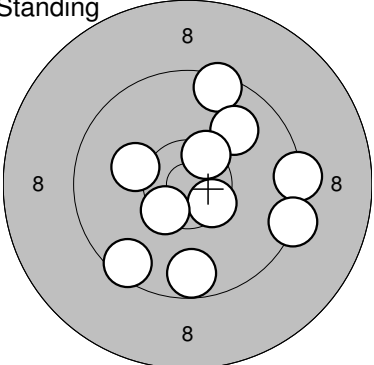
<p>Sight (p)</p> 	<p>1: 6,8 ↗ 2: 9,2 ↗↗ 3: 9,2 ↗↗ 4: 9,9 ↗↗↗ 5: 8,1 ↗↗ 6: 9,3 ↗↗ 7: 9,6 ↗↗ 8: 10,0 ↗↗ 9: 9,1 ↗↗ 10: 10,5* ↗↗</p> <p>Serie 88,0 Totalt 0,0</p>	<p>Sight (p)</p> 	<p>11: 10,1 ↖ 12: 9,7 ↖ 13: 9,9 ↗ 14: 10,2 ↗ 15: 10,5* ↖ 16: 10,1 ↖ 17: 10,4* ↗ 18: 10,2 →</p> <p>Serie 78,0 Totalt 0,0</p>
---------------------------------------------------------------------------------------------------	-------------------------------------------------------------------------------------------------------------------------------------------------------------------------------------	-----------------------------------------------------------------------------------------------------	-------------------------------------------------------------------------------------------------------------------------------------------------------------

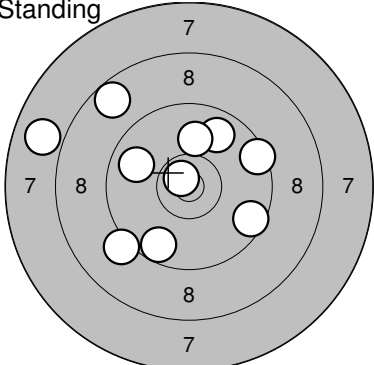
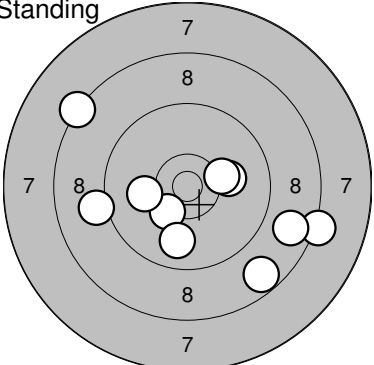
<p>Prone</p> 	<p>1: 10,7* ↗ 2: 10,1 ↘ 3: 9,7 ↖ 4: 10,1 ↗ 5: 10,6* ↗ 6: 9,6 → 7: 10,3* ↘ 8: 10,7* ↘ 9: 9,6 ↗ 10: 10,7* ↘</p> <p>Serie 97,0 Totalt 97,0</p>	<p>Prone</p> 	<p>11: 10,6* ↖ 12: 9,1 ↗ 13: 9,6 ↗ 14: 10,4* ↘ 15: 10,2 → 16: 10,2 ↖ 17: 10,7* → 18: 10,2 ↗ 19: 9,7 → 20: 9,4 →</p> <p>Serie 96,0 Totalt 193,0</p>
-----------------------------------------------------------------------------------------------	-------------------------------------------------------------------------------------------------------------------------------------------------------------------------------------	-------------------------------------------------------------------------------------------------	--------------------------------------------------------------------------------------------------------------------------------------------------------------------------------------------

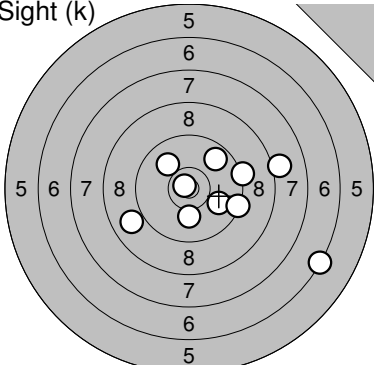
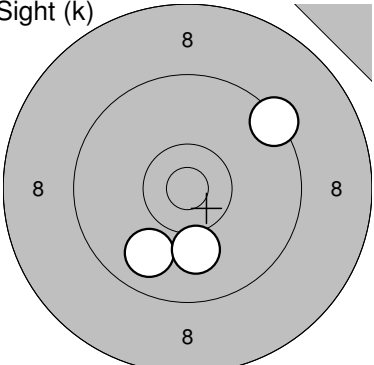
<p>Prone</p> 	<p>21: 9,8 ↘ 22: 10,4* ↘ 23: 10,4* ↖ 24: 10,7* ↖ 25: 9,1 ↘ 26: 9,9 ↘ 27: 10,0 ↖ 28: 10,1 ↗ 29: 10,1 ↗ 30: 10,2 ↘</p> <p>Serie 97,0 Totalt 290,0</p>	<p>Prone</p> 	<p>31: 10,4* ↗ 32: 10,1 ↗ 33: 10,1 ↗ 34: 10,9* ↘ 35: 10,3* ↗ 36: 10,6* → 37: 10,6* ↗ 38: 10,5* ↗ 39: 10,2 ↗ 40: 9,9 →</p> <p>Serie 99,0 Totalt 389,0</p>
------------------------------------------------------------------------------------------------	---------------------------------------------------------------------------------------------------------------------------------------------------------------------------------------------	--------------------------------------------------------------------------------------------------	--------------------------------------------------------------------------------------------------------------------------------------------------------------------------------------------------

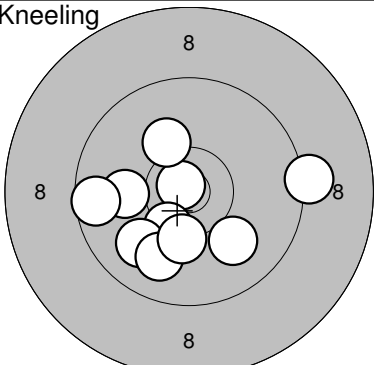
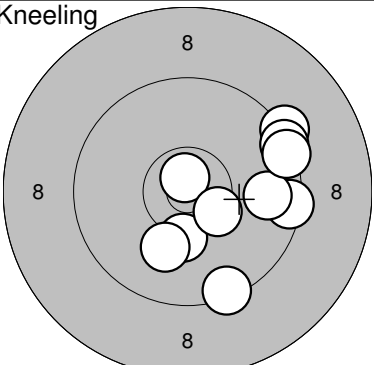
<p>Prone</p> 	<p>41: 10,3* ↘ 42: 9,8 ↖ 43: 9,2 ↗ 44: 9,6 ↗ 45: 9,6 ↗ 46: 10,3* ↗ 47: 10,5* ↗ 48: 10,6* ↗ 49: 10,6* ↗ 50: 9,3 ↗</p> <p>Serie 95,0 Totalt 484,0</p>	<p>Prone</p> 	<p>51: 9,8 ↘ 52: 10,3* ↗ 53: 10,7* ↗ 54: 10,2 ↖ 55: 10,5* → 56: 9,5 ↘ 57: 9,6 → 58: 10,2 → 59: 9,8 ↗ 60: 9,7 ↗</p> <p>Serie 95,0 Totalt 579,0</p>
-------------------------------------------------------------------------------------------------	---------------------------------------------------------------------------------------------------------------------------------------------------------------------------------------------	---------------------------------------------------------------------------------------------------	-------------------------------------------------------------------------------------------------------------------------------------------------------------------------------------------

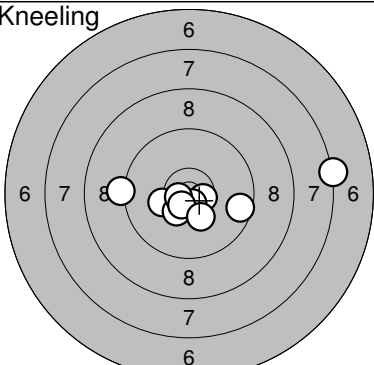
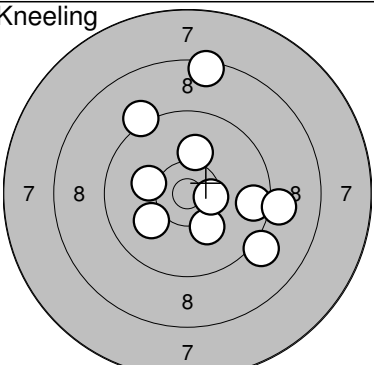
<p>Sight (s)</p> 	<p>1: 8,8 ↖ 2: 7,7 ↘ 3: 8,1 ↘ 4: 9,1 ↗ 5: 9,5 ↗ 6: 9,0 ↗ 7: 10,0 → 8: 9,8 → 9: 8,9 → 10: 9,9 ↘</p> <p>Serie 86,0 Totalt 579,0</p>	<p>Sight (s)</p> 	<p>11: 9,3 → 12: 9,5 ↗ 13: 10,3* ↗ 14: 8,0 ↗ 15: 9,7 ↗ 16: 8,4 → 17: 10,7* ↘</p> <p>Serie 63,0 Totalt 579,0</p>
-----------------------------------------------------------------------------------------------------	---------------------------------------------------------------------------------------------------------------------------------------------------------------------------	-------------------------------------------------------------------------------------------------------	---------------------------------------------------------------------------------------------------------------------------------------------

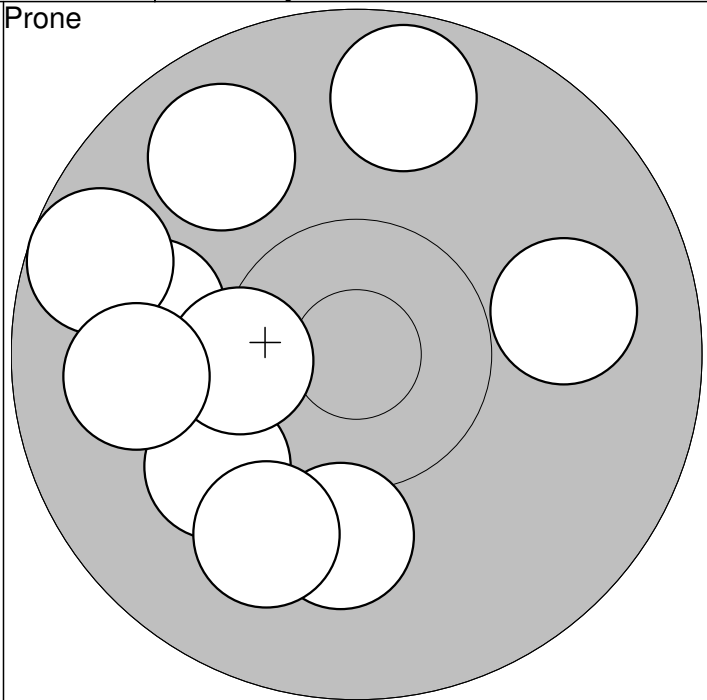
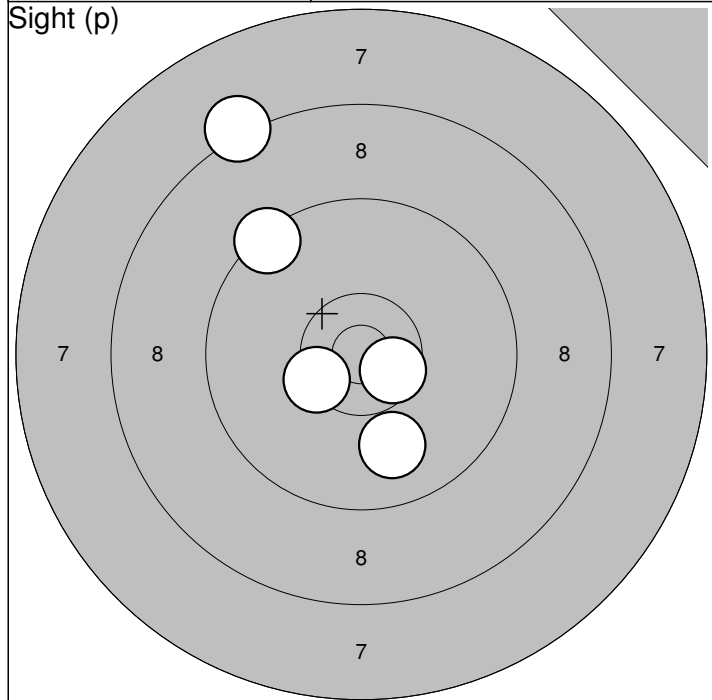
<p>Standing</p> 	<p>1: 9,7 →                  2: 8,4 →                  3: 10,1 →                  4: 8,0 ↗                  5: 9,0 ↘                  6: 10,2 →                  7: 10,2 ↘                  8: 10,3* ↘                  9: 9,1 ↗                  10: 10,4* ↘</p> <p>Serie 93,0                  Totalt 672,0</p>	<p>Standing</p> 	<p>11: 10,5* ↘                  12: 9,5 ↘                  13: 9,5 ↑                  14: 9,7 ↓                  15: 9,9 ↗                  16: 9,4 →                  17: 10,5* ↘                  18: 10,5* ↗                  19: 9,3 →                  20: 10,2 ←</p> <p>Serie 94,0                  Totalt 766,0</p>
--------------------------------------------------------------------------------------------------	-----------------------------------------------------------------------------------------------------------------------------------------------------------------------------------------------------------------------------------------------------------------------------------------------------------------------------------------------------------	----------------------------------------------------------------------------------------------------	--------------------------------------------------------------------------------------------------------------------------------------------------------------------------------------------------------------------------------------------------------------------------------------------------------------------------------------------------------------------

<p>Standing</p> 	<p>21: 9,2 ↘                  22: 9,8 ↗                  23: 10,7* ↗                  24: 8,7 ↗                  25: 9,8 ↗                  26: 7,9 ↗                  27: 9,5 →                  28: 9,6 ↘                  29: 10,0 →                  30: 9,6 ↘</p> <p>Serie 89,0                  Totalt 855,0</p>	<p>Standing</p> 	<p>31: 8,2 →                  32: 8,3 ↗                  33: 9,1 ←                  34: 10,1 →                  35: 8,7 →                  36: 10,3* ↘                  37: 10,1 ←                  38: 9,9 ↓                  39: 10,2 →                  40: 8,7 ↘</p> <p>Serie 90,0                  Totalt 945,0</p>
--------------------------------------------------------------------------------------------------	----------------------------------------------------------------------------------------------------------------------------------------------------------------------------------------------------------------------------------------------------------------------------------------------------------------------------------------------------------------	----------------------------------------------------------------------------------------------------	------------------------------------------------------------------------------------------------------------------------------------------------------------------------------------------------------------------------------------------------------------------------------------------------------------------------------------------------------------------

<p>Sight (k)</p> 	<p>1: 6,3 ↘                  2: 9,2 →                  3: 8,1 →                  4: 8,9 ↘                  5: 9,9 ↘                  6: 10,8* ↗                  7: 10,0 ↗                  8: 9,7 ↗                  9: 9,4 ↘                  10: 10,1 ↓</p> <p>Serie 88,0                  Totalt 945,0</p>	<p>Sight (k)</p> 	<p>11: 9,4 ↗                  12: 9,9 ↘                  13: 10,1 ↓</p> <p>Serie 28,0                  Totalt 945,0</p>
----------------------------------------------------------------------------------------------------	--------------------------------------------------------------------------------------------------------------------------------------------------------------------------------------------------------------------------------------------------------------------------------------------------------------------------------------------------------	------------------------------------------------------------------------------------------------------	-------------------------------------------------------------------------------------------------------------------------------------

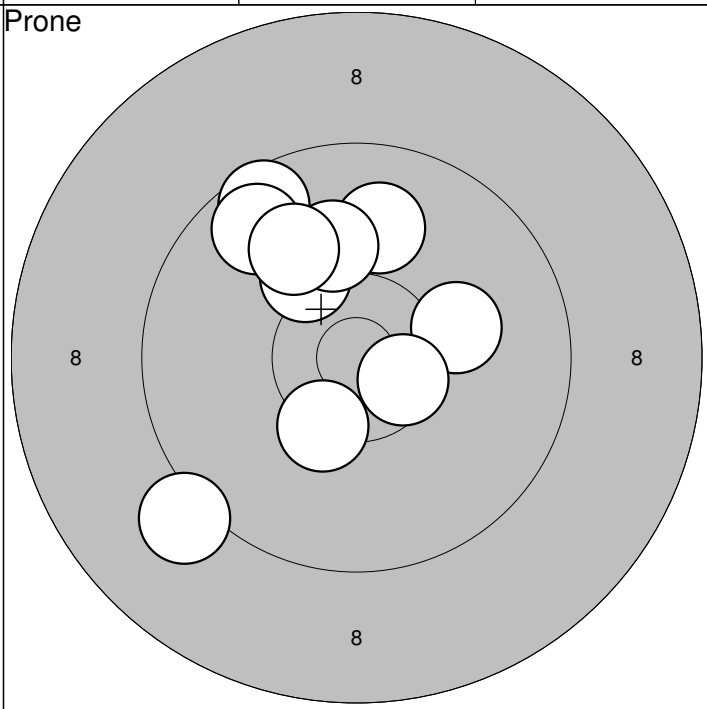
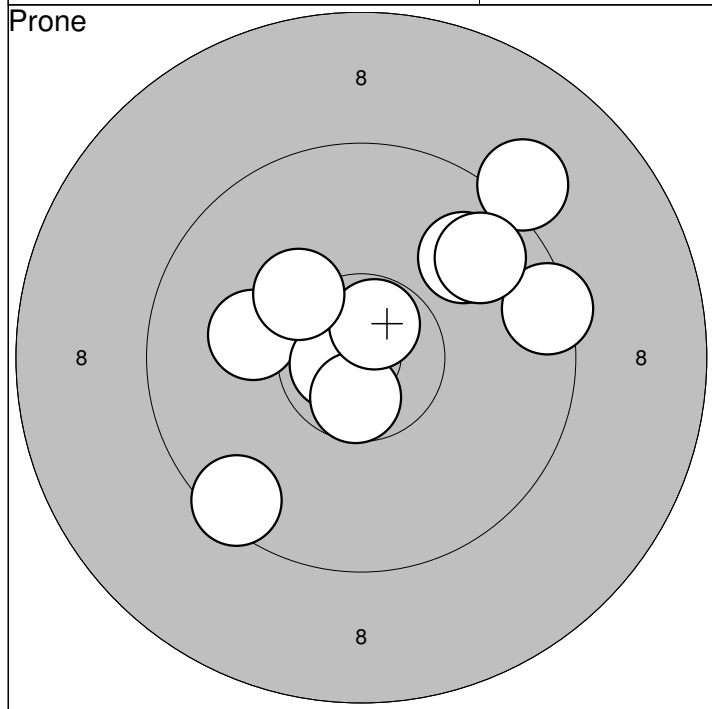
<p>Kneeling</p> 	<p>1: 9,2 →                  2: 10,8* ↗                  3: 10,0 ↗                  4: 10,2 ↗                  5: 10,0 ↘                  6: 10,4* ↘                  7: 9,6 ↗                  8: 9,9 ↗                  9: 9,9 ↘                  10: 10,3 ↘</p> <p>Serie 96,0                  Totalt 1041,0</p>	<p>Kneeling</p> 	<p>11: 9,3 ↗                  12: 9,4 ↗                  13: 9,5 →                  14: 9,4 ↓                  15: 10,8* ↑                  16: 10,3 ↓                  17: 10,1 ↓                  18: 10,4* ↘                  19: 9,8 →                  20: 9,4 ↗</p> <p>Serie 94,0                  Totalt 1135,0</p>
----------------------------------------------------------------------------------------------------	-------------------------------------------------------------------------------------------------------------------------------------------------------------------------------------------------------------------------------------------------------------------------------------------------------------------------------------------------------------	------------------------------------------------------------------------------------------------------	--------------------------------------------------------------------------------------------------------------------------------------------------------------------------------------------------------------------------------------------------------------------------------------------------------------------------------------------------------------------

<p>Kneeling</p> 	<p>21: 10,2 ←                  22: 9,2 ←                  23: 9,6 ↘                  24: 10,6* ↘                  25: 10,4* ↘                  26: 10,7* ↘                  27: 10,7* ↘                  28: 10,6* ↘                  29: 7,3 →                  30: 10,3 ↘</p> <p>Serie 95,0                  Totalt 1230,0</p>	<p>Kneeling</p> 	<p>31: 9,1 ↘                  32: 8,5 ↑                  33: 10,1 ↑                  34: 10,2 ↓                  35: 9,6 →                  36: 10,2 ←                  37: 10,5* →                  38: 10,1 ↘                  39: 9,2 ↗                  40: 9,1 →</p> <p>Serie 94,0                  Totalt 1324,0</p>
----------------------------------------------------------------------------------------------------	--------------------------------------------------------------------------------------------------------------------------------------------------------------------------------------------------------------------------------------------------------------------------------------------------------------------------------------------------------------------------	------------------------------------------------------------------------------------------------------	--------------------------------------------------------------------------------------------------------------------------------------------------------------------------------------------------------------------------------------------------------------------------------------------------------------------------------------------------------------------



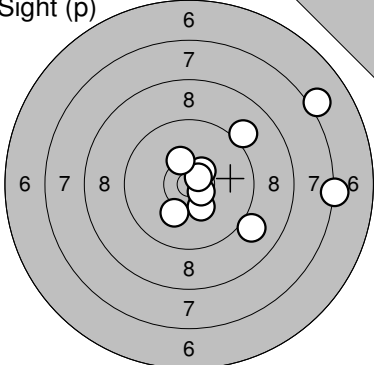
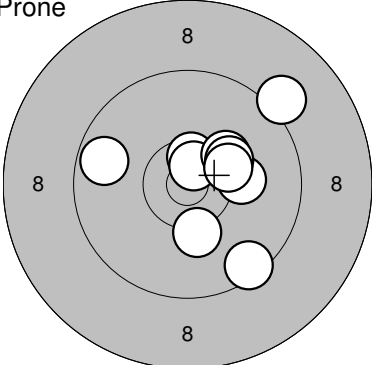
1: 8,2 ↗		<b>Serie</b>	<b>46,0</b>
2: 9,9 ↓			
3: 9,4 ↗			
4:10,4* ←			
5:10,6* ↘			
<b>Totalt</b>			<b>0,0</b>

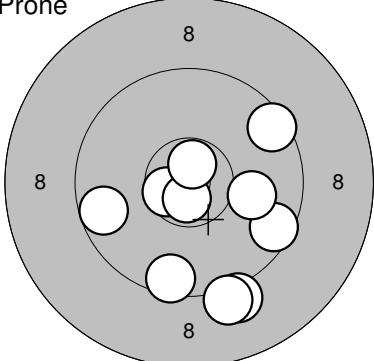
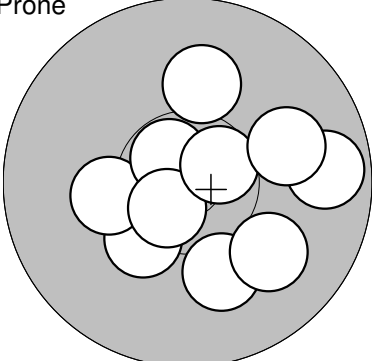
1:10,1 ↓		<b>Serie</b>	<b>95,0</b>
2:10,1 ↙			
3:10,0 ↓			
4: 9,9 →			
5:10,0 ←			
6:10,4* ←		<b>Totalt</b>	<b>95,0</b>
7: 9,8 ↗			
8: 9,7 ↙			
9: 9,7 ↑			
10: 9,9 ←			

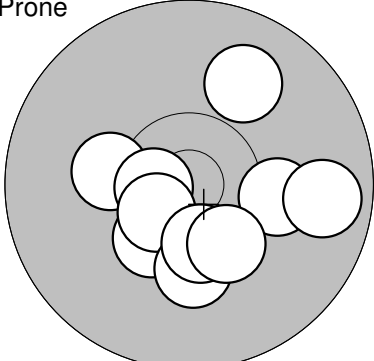
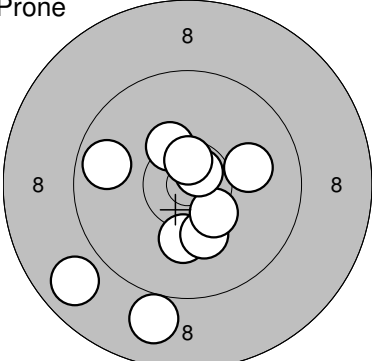


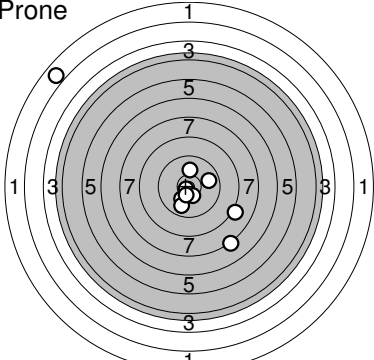
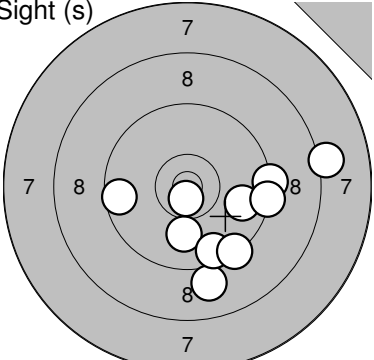
11:10,1 ←		<b>Serie</b>	<b>95,0</b>
12:10,7* ←			
13: 9,5 ↙			
14:10,6* ↓			
15: 9,1 ↗			
16:10,7* ↑		<b>Totalt</b>	<b>190,0</b>
17:10,3 ↖			
18: 9,9 ↗			
19: 9,5 →			
20: 9,8 ↗			

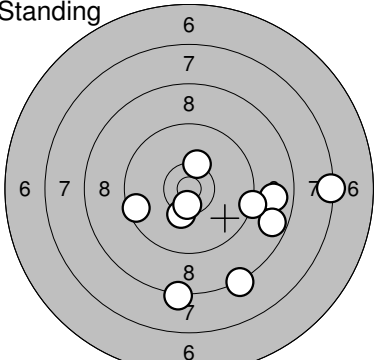
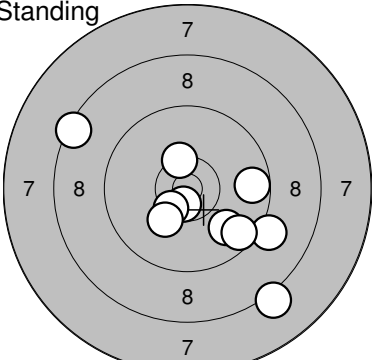
21:10,1 →		<b>Serie</b>	<b>96,0</b>
22: 9,6 ↗			
23:10,6* ↘			
24: 9,1 ↙			
25: 9,7 ↖			
26:10,2 ↖		<b>Totalt</b>	<b>286,0</b>
27: 9,9 ↑			
28:10,1 ↑			
29:10,0 ↖			
30:10,4* ↓			

Sight (p) 	1: 7,1 → 2: 7,3 → 3: 9,0 ↘ 4: 9,1 ↗ 5: 10,3* ↘ 6: 10,6* ↘ 7: 10,5* ↗ 8: 10,1 ↘ 9: 10,7* ↗ 10: 10,3* ↗ <hr/> Serie 92,0 Totalt 0,0	Prone 	1: 10,2 ↓ 2: 9,1 ↗ 3: 10,6* ↑ 4: 10,2 → 5: 9,7 ← 6: 10,7* ↑ 7: 9,5 ↘ 8: 10,3 → 9: 10,3 → 10: 10,3* → <hr/> Serie 97,0 Totalt 97,0
-----------------------------------------------------------------------------------------------	--------------------------------------------------------------------------------------------------------------------------------------------------------------------	---------------------------------------------------------------------------------------------	--------------------------------------------------------------------------------------------------------------------------------------------------------------------

Prone 	11: 9,7 ← 12: 9,1 ↘ 13: 9,6 ↘ 14: 10,6* ← 15: 9,5 ↗ 16: 10,7* ↘ 17: 9,2 ↘ 18: 10,0 → 19: 9,5 ↘ 20: 10,7* ↑ <hr/> Serie 94,0 Totalt 191,0	Prone 	21: 10,1 ↑ 22: 10,3* ↘ 23: 10,1 ↘ 24: 9,7 → 25: 10,2 ← 26: 10,7* ↗ 27: 10,0 ↘ 28: 10,7* ↘ 29: 10,6* → 30: 10,0 → <hr/> Serie 99,0 Totalt 290,0
-------------------------------------------------------------------------------------------	---------------------------------------------------------------------------------------------------------------------------------------------------------------------------	---------------------------------------------------------------------------------------------	---------------------------------------------------------------------------------------------------------------------------------------------------------------------------------

Prone 	31: 10,2 ← 32: 10,2 → 33: 9,7 → 34: 10,6* ← 35: 10,4* ↘ 36: 10,6* ↘ 37: 9,9 ↗ 38: 10,2 ↘ 39: 10,4* ↘ 40: 10,3* ↘ <hr/> Serie 98,0 Totalt 388,0	Prone 	41: 10,0 → 42: 10,2 ↘ 43: 9,0 ↘ 44: 10,4* ↗ 45: 10,2 ↘ 46: 9,8 ← 47: 10,4* ↘ 48: 10,7* ↗ 49: 8,8 ↘ 50: 10,6* ↑ <hr/> Serie 96,0 Totalt 484,0
--------------------------------------------------------------------------------------------	---------------------------------------------------------------------------------------------------------------------------------------------------------------------------------	----------------------------------------------------------------------------------------------	-------------------------------------------------------------------------------------------------------------------------------------------------------------------------------

Prone 	51: 10,8* ↘ 52: 10,5* ↘ 53: 8,2 ↘ 54: 10,2 ↘ 55: 9,9 ↘ 56: 7,3 ↘ 57: 10,2 ↗ 58: 2,0 ↗ 59: 9,9 → 60: 10,5* ↘ <hr/> Serie 85,0 Totalt 569,0	Sight (s) 	1: 9,0 ↓ 2: 9,8 → 3: 10,0 ↓ 4: 9,6 ↓ 5: 9,4 ↓ 6: 9,6 ← 7: 9,3 → 8: 9,3 → 9: 10,7* ↓ 10: 8,1 → <hr/> Serie 91,0 Totalt 569,0
---------------------------------------------------------------------------------------------	----------------------------------------------------------------------------------------------------------------------------------------------------------------------------	---------------------------------------------------------------------------------------------------	--------------------------------------------------------------------------------------------------------------------------------------------------------------

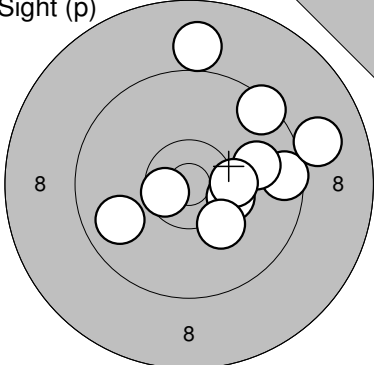
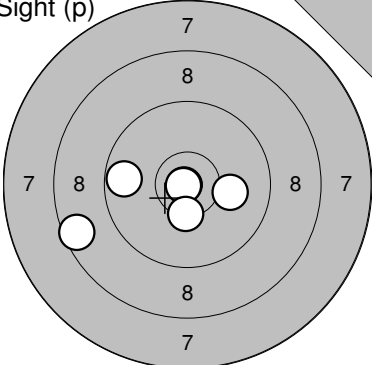
Standing 	1: 8,3 ↘ 2: 7,4 → 3: 10,3 ↘ 4: 9,5 ↘ 5: 8,8 → 6: 8,2 ↘ 7: 10,3* ↗ 8: 8,7 ↘ 9: 9,3 → 10: 10,5* ↓ <hr/> Serie 87,0 Totalt 656,0	Standing 	11: 8,2 ↓ 12: 10,6* ↓ 13: 9,9 ↘ 14: 8,4 ↗ 15: 9,7 → 16: 10,4* ↑ 17: 9,1 → 18: 10,4* ↘ 19: 9,6 ↘ 20: 10,2 ↘ <hr/> Serie 92,0 Totalt 748,0
------------------------------------------------------------------------------------------------	----------------------------------------------------------------------------------------------------------------------------------------------------------------	--------------------------------------------------------------------------------------------------	---------------------------------------------------------------------------------------------------------------------------------------------------------------------------

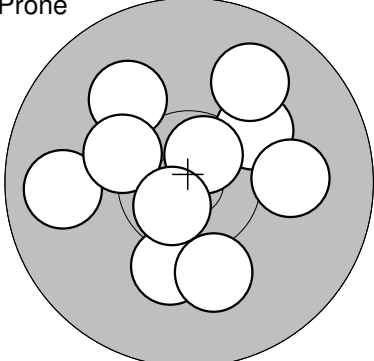
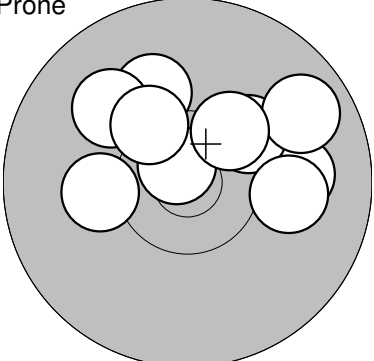
<p>Standing</p>	<p>Standing</p>
-----------------	-----------------

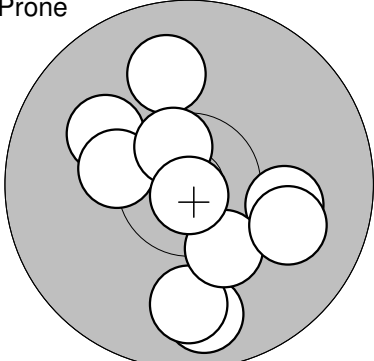
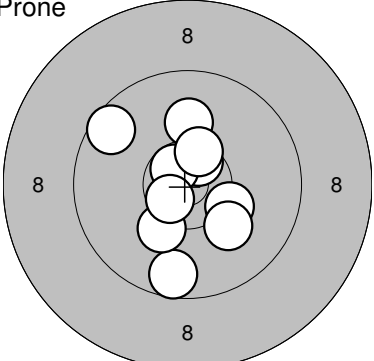
<p>Sight (k)</p>	<p>Kneeling</p>
------------------	-----------------

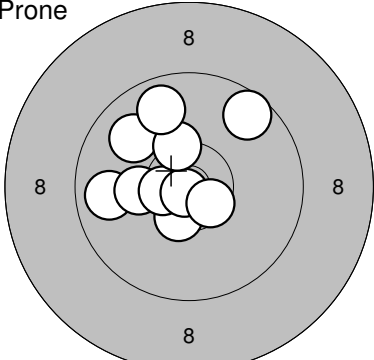
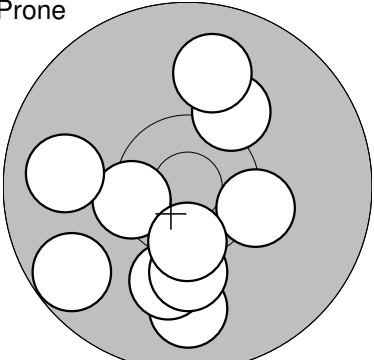
<p>Kneeling</p>	<p>Kneeling</p>
-----------------	-----------------

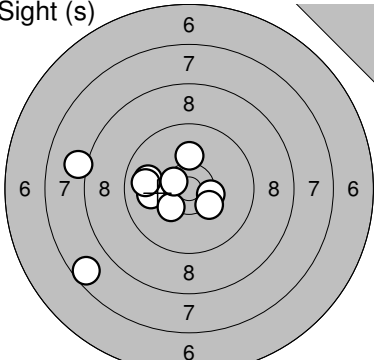
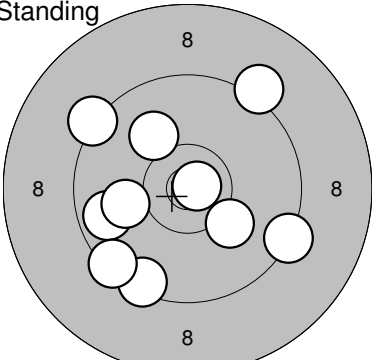
<p>Kneeling</p>	
-----------------	--

Sight (p) 	<table style="width:100%; border-collapse: collapse;"> <tr><td>1: 9,0</td><td style="text-align: right;">↑</td></tr> <tr><td>2: 9,5</td><td style="text-align: right;">↗</td></tr> <tr><td>3: 9,6</td><td style="text-align: right;">→</td></tr> <tr><td>4: 9,8</td><td style="text-align: right;">↖</td></tr> <tr><td>5: 9,9</td><td style="text-align: right;">→</td></tr> <tr><td>6: 10,3*</td><td style="text-align: right;">↗</td></tr> <tr><td>7: 10,3*</td><td style="text-align: right;">→</td></tr> <tr><td>8: 9,0</td><td style="text-align: right;">→</td></tr> <tr><td>9: 10,2</td><td style="text-align: right;">↖</td></tr> <tr><td>10: 10,6*</td><td style="text-align: right;">↙</td></tr> <tr><td colspan="2" style="border-top: 1px solid black;">Serie 94,0</td></tr> <tr><td colspan="2" style="border-top: 1px solid black;">Totalt 0,0</td></tr> </table>	1: 9,0	↑	2: 9,5	↗	3: 9,6	→	4: 9,8	↖	5: 9,9	→	6: 10,3*	↗	7: 10,3*	→	8: 9,0	→	9: 10,2	↖	10: 10,6*	↙	Serie 94,0		Totalt 0,0		Sight (p) 	<table style="width:100%; border-collapse: collapse;"> <tr><td>11: 9,7</td><td style="text-align: right;">←</td></tr> <tr><td>12: 8,6</td><td style="text-align: right;">←</td></tr> <tr><td>13: 10,1</td><td style="text-align: right;">→</td></tr> <tr><td>14: 10,9*</td><td style="text-align: right;">←</td></tr> <tr><td>15: 10,9*</td><td style="text-align: right;">↙</td></tr> <tr><td>16: 10,4*</td><td style="text-align: right;">↓</td></tr> <tr><td colspan="2" style="border-top: 1px solid black;">Serie 57,0</td></tr> <tr><td colspan="2" style="border-top: 1px solid black;">Totalt 0,0</td></tr> </table>	11: 9,7	←	12: 8,6	←	13: 10,1	→	14: 10,9*	←	15: 10,9*	↙	16: 10,4*	↓	Serie 57,0		Totalt 0,0	
1: 9,0	↑																																										
2: 9,5	↗																																										
3: 9,6	→																																										
4: 9,8	↖																																										
5: 9,9	→																																										
6: 10,3*	↗																																										
7: 10,3*	→																																										
8: 9,0	→																																										
9: 10,2	↖																																										
10: 10,6*	↙																																										
Serie 94,0																																											
Totalt 0,0																																											
11: 9,7	←																																										
12: 8,6	←																																										
13: 10,1	→																																										
14: 10,9*	←																																										
15: 10,9*	↙																																										
16: 10,4*	↓																																										
Serie 57,0																																											
Totalt 0,0																																											

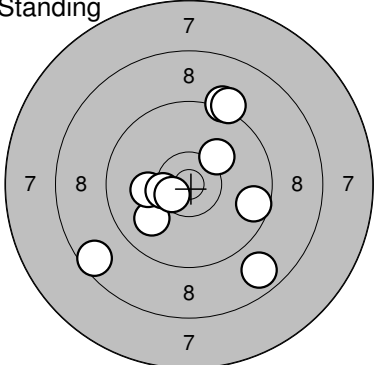
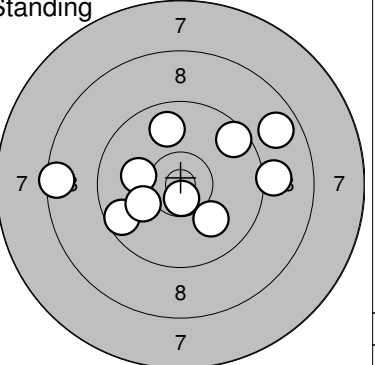
Prone 	<table style="width:100%; border-collapse: collapse;"> <tr><td>1: 10,2</td><td style="text-align: right;">↓</td></tr> <tr><td>2: 10,2</td><td style="text-align: right;">↗</td></tr> <tr><td>3: 10,0</td><td style="text-align: right;">↗</td></tr> <tr><td>4: 10,1</td><td style="text-align: right;">↓</td></tr> <tr><td>5: 10,0</td><td style="text-align: right;">→</td></tr> <tr><td>6: 10,7*</td><td style="text-align: right;">↗</td></tr> <tr><td>7: 9,8</td><td style="text-align: right;">←</td></tr> <tr><td>8: 9,9</td><td style="text-align: right;">↗</td></tr> <tr><td>9: 10,3*</td><td style="text-align: right;">↖</td></tr> <tr><td>10: 10,7*</td><td style="text-align: right;">↙</td></tr> <tr><td colspan="2" style="border-top: 1px solid black;">Serie 98,0</td></tr> <tr><td colspan="2" style="border-top: 1px solid black;">Totalt 98,0</td></tr> </table>	1: 10,2	↓	2: 10,2	↗	3: 10,0	↗	4: 10,1	↓	5: 10,0	→	6: 10,7*	↗	7: 9,8	←	8: 9,9	↗	9: 10,3*	↖	10: 10,7*	↙	Serie 98,0		Totalt 98,0		Prone 	<table style="width:100%; border-collapse: collapse;"> <tr><td>11: 10,2</td><td style="text-align: right;">←</td></tr> <tr><td>12: 10,0</td><td style="text-align: right;">→</td></tr> <tr><td>13: 10,1</td><td style="text-align: right;">↗</td></tr> <tr><td>14: 10,8*</td><td style="text-align: right;">↗</td></tr> <tr><td>15: 10,3</td><td style="text-align: right;">↗</td></tr> <tr><td>16: 9,8</td><td style="text-align: right;">↗</td></tr> <tr><td>17: 10,0</td><td style="text-align: right;">→</td></tr> <tr><td>18: 10,0</td><td style="text-align: right;">↗</td></tr> <tr><td>19: 10,3*</td><td style="text-align: right;">↗</td></tr> <tr><td>20: 10,4*</td><td style="text-align: right;">↗</td></tr> <tr><td colspan="2" style="border-top: 1px solid black;">Serie 99,0</td></tr> <tr><td colspan="2" style="border-top: 1px solid black;">Totalt 197,0</td></tr> </table>	11: 10,2	←	12: 10,0	→	13: 10,1	↗	14: 10,8*	↗	15: 10,3	↗	16: 9,8	↗	17: 10,0	→	18: 10,0	↗	19: 10,3*	↗	20: 10,4*	↗	Serie 99,0		Totalt 197,0	
1: 10,2	↓																																																		
2: 10,2	↗																																																		
3: 10,0	↗																																																		
4: 10,1	↓																																																		
5: 10,0	→																																																		
6: 10,7*	↗																																																		
7: 9,8	←																																																		
8: 9,9	↗																																																		
9: 10,3*	↖																																																		
10: 10,7*	↙																																																		
Serie 98,0																																																			
Totalt 98,0																																																			
11: 10,2	←																																																		
12: 10,0	→																																																		
13: 10,1	↗																																																		
14: 10,8*	↗																																																		
15: 10,3	↗																																																		
16: 9,8	↗																																																		
17: 10,0	→																																																		
18: 10,0	↗																																																		
19: 10,3*	↗																																																		
20: 10,4*	↗																																																		
Serie 99,0																																																			
Totalt 197,0																																																			

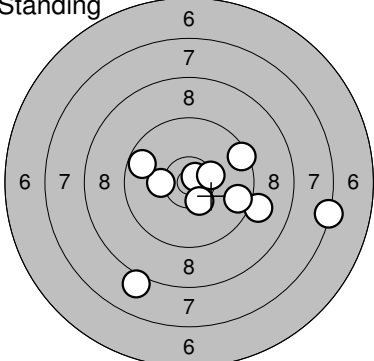
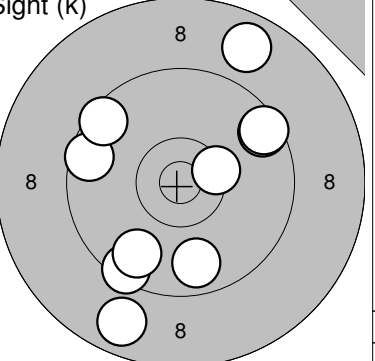
Prone 	<table style="width:100%; border-collapse: collapse;"> <tr><td>21: 9,8</td><td style="text-align: right;">↓</td></tr> <tr><td>22: 9,9</td><td style="text-align: right;">↓</td></tr> <tr><td>23: 10,1</td><td style="text-align: right;">↗</td></tr> <tr><td>24: 10,3*</td><td style="text-align: right;">↗</td></tr> <tr><td>25: 9,9</td><td style="text-align: right;">↗</td></tr> <tr><td>26: 10,1</td><td style="text-align: right;">↗</td></tr> <tr><td>27: 10,6*</td><td style="text-align: right;">↗</td></tr> <tr><td>28: 10,3*</td><td style="text-align: right;">↖</td></tr> <tr><td>29: 10,0</td><td style="text-align: right;">↓</td></tr> <tr><td>30: 10,8*</td><td style="text-align: right;">↓</td></tr> <tr><td colspan="2" style="border-top: 1px solid black;">Serie 97,0</td></tr> <tr><td colspan="2" style="border-top: 1px solid black;">Totalt 294,0</td></tr> </table>	21: 9,8	↓	22: 9,9	↓	23: 10,1	↗	24: 10,3*	↗	25: 9,9	↗	26: 10,1	↗	27: 10,6*	↗	28: 10,3*	↖	29: 10,0	↓	30: 10,8*	↓	Serie 97,0		Totalt 294,0		Prone 	<table style="width:100%; border-collapse: collapse;"> <tr><td>31: 9,6</td><td style="text-align: right;">↓</td></tr> <tr><td>32: 10,2</td><td style="text-align: right;">↓</td></tr> <tr><td>33: 10,6*</td><td style="text-align: right;">↗</td></tr> <tr><td>34: 10,7*</td><td style="text-align: right;">↗</td></tr> <tr><td>35: 10,1</td><td style="text-align: right;">↗</td></tr> <tr><td>36: 10,3</td><td style="text-align: right;">↖</td></tr> <tr><td>37: 10,1</td><td style="text-align: right;">↖</td></tr> <tr><td>38: 10,6*</td><td style="text-align: right;">↖</td></tr> <tr><td>39: 9,6</td><td style="text-align: right;">↖</td></tr> <tr><td>40: 10,5*</td><td style="text-align: right;">↗</td></tr> <tr><td colspan="2" style="border-top: 1px solid black;">Serie 98,0</td></tr> <tr><td colspan="2" style="border-top: 1px solid black;">Totalt 392,0</td></tr> </table>	31: 9,6	↓	32: 10,2	↓	33: 10,6*	↗	34: 10,7*	↗	35: 10,1	↗	36: 10,3	↖	37: 10,1	↖	38: 10,6*	↖	39: 9,6	↖	40: 10,5*	↗	Serie 98,0		Totalt 392,0	
21: 9,8	↓																																																		
22: 9,9	↓																																																		
23: 10,1	↗																																																		
24: 10,3*	↗																																																		
25: 9,9	↗																																																		
26: 10,1	↗																																																		
27: 10,6*	↗																																																		
28: 10,3*	↖																																																		
29: 10,0	↓																																																		
30: 10,8*	↓																																																		
Serie 97,0																																																			
Totalt 294,0																																																			
31: 9,6	↓																																																		
32: 10,2	↓																																																		
33: 10,6*	↗																																																		
34: 10,7*	↗																																																		
35: 10,1	↗																																																		
36: 10,3	↖																																																		
37: 10,1	↖																																																		
38: 10,6*	↖																																																		
39: 9,6	↖																																																		
40: 10,5*	↗																																																		
Serie 98,0																																																			
Totalt 392,0																																																			

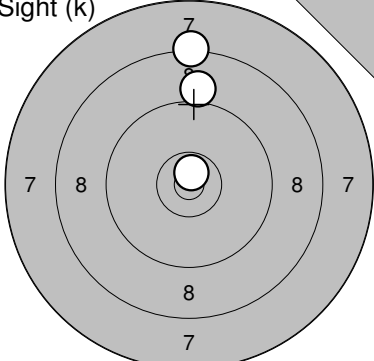
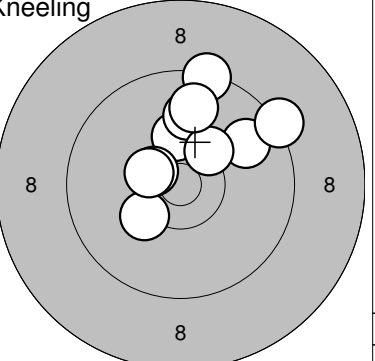
Prone 	<table style="width:100%; border-collapse: collapse;"> <tr><td>41: 10,5*</td><td style="text-align: right;">↓</td></tr> <tr><td>42: 9,8</td><td style="text-align: right;">←</td></tr> <tr><td>43: 9,6</td><td style="text-align: right;">↗</td></tr> <tr><td>44: 10,2</td><td style="text-align: right;">←</td></tr> <tr><td>45: 10,6*</td><td style="text-align: right;">←</td></tr> <tr><td>46: 10,8*</td><td style="text-align: right;">↖</td></tr> <tr><td>47: 10,6*</td><td style="text-align: right;">↖</td></tr> <tr><td>48: 9,9</td><td style="text-align: right;">↗</td></tr> <tr><td>49: 10,3*</td><td style="text-align: right;">↗</td></tr> <tr><td>50: 9,8</td><td style="text-align: right;">↗</td></tr> <tr><td colspan="2" style="border-top: 1px solid black;">Serie 96,0</td></tr> <tr><td colspan="2" style="border-top: 1px solid black;">Totalt 488,0</td></tr> </table>	41: 10,5*	↓	42: 9,8	←	43: 9,6	↗	44: 10,2	←	45: 10,6*	←	46: 10,8*	↖	47: 10,6*	↖	48: 9,9	↗	49: 10,3*	↗	50: 9,8	↗	Serie 96,0		Totalt 488,0		Prone 	<table style="width:100%; border-collapse: collapse;"> <tr><td>51: 9,7</td><td style="text-align: right;">←</td></tr> <tr><td>52: 10,4*</td><td style="text-align: right;">←</td></tr> <tr><td>53: 10,2</td><td style="text-align: right;">↗</td></tr> <tr><td>54: 9,9</td><td style="text-align: right;">↓</td></tr> <tr><td>55: 9,9</td><td style="text-align: right;">←</td></tr> <tr><td>56: 10,1</td><td style="text-align: right;">↓</td></tr> <tr><td>57: 9,9</td><td style="text-align: right;">↗</td></tr> <tr><td>58: 10,2</td><td style="text-align: right;">↓</td></tr> <tr><td>59: 10,3*</td><td style="text-align: right;">→</td></tr> <tr><td>60: 10,5*</td><td style="text-align: right;">↓</td></tr> <tr><td colspan="2" style="border-top: 1px solid black;">Serie 96,0</td></tr> <tr><td colspan="2" style="border-top: 1px solid black;">Totalt 584,0</td></tr> </table>	51: 9,7	←	52: 10,4*	←	53: 10,2	↗	54: 9,9	↓	55: 9,9	←	56: 10,1	↓	57: 9,9	↗	58: 10,2	↓	59: 10,3*	→	60: 10,5*	↓	Serie 96,0		Totalt 584,0	
41: 10,5*	↓																																																		
42: 9,8	←																																																		
43: 9,6	↗																																																		
44: 10,2	←																																																		
45: 10,6*	←																																																		
46: 10,8*	↖																																																		
47: 10,6*	↖																																																		
48: 9,9	↗																																																		
49: 10,3*	↗																																																		
50: 9,8	↗																																																		
Serie 96,0																																																			
Totalt 488,0																																																			
51: 9,7	←																																																		
52: 10,4*	←																																																		
53: 10,2	↗																																																		
54: 9,9	↓																																																		
55: 9,9	←																																																		
56: 10,1	↓																																																		
57: 9,9	↗																																																		
58: 10,2	↓																																																		
59: 10,3*	→																																																		
60: 10,5*	↓																																																		
Serie 96,0																																																			
Totalt 584,0																																																			

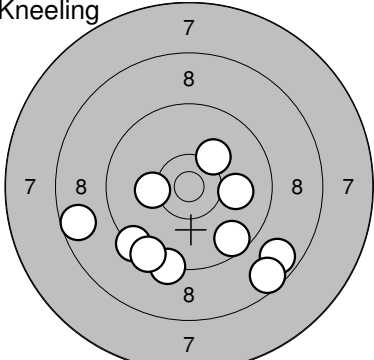
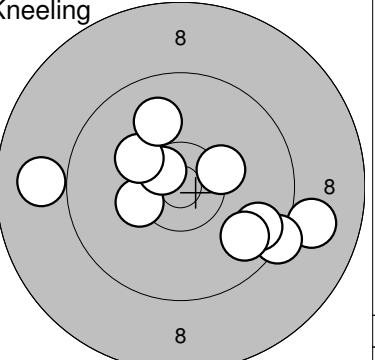
Sight (s) 	<table style="width:100%; border-collapse: collapse;"> <tr><td>1: 7,6</td><td style="text-align: right;">↖</td></tr> <tr><td>2: 10,0</td><td style="text-align: right;">←</td></tr> <tr><td>3: 10,4*</td><td style="text-align: right;">↖</td></tr> <tr><td>4: 10,3*</td><td style="text-align: right;">↖</td></tr> <tr><td>5: 9,9</td><td style="text-align: right;">↖</td></tr> <tr><td>6: 10,5*</td><td style="text-align: right;">↗</td></tr> <tr><td>7: 9,9</td><td style="text-align: right;">←</td></tr> <tr><td>8: 8,1</td><td style="text-align: right;">←</td></tr> <tr><td>9: 10,1</td><td style="text-align: right;">↑</td></tr> <tr><td>10: 10,3</td><td style="text-align: right;">↓</td></tr> <tr><td colspan="2" style="border-top: 1px solid black;">Serie 93,0</td></tr> <tr><td colspan="2" style="border-top: 1px solid black;">Totalt 584,0</td></tr> </table>	1: 7,6	↖	2: 10,0	←	3: 10,4*	↖	4: 10,3*	↖	5: 9,9	↖	6: 10,5*	↗	7: 9,9	←	8: 8,1	←	9: 10,1	↑	10: 10,3	↓	Serie 93,0		Totalt 584,0		Standing 	<table style="width:100%; border-collapse: collapse;"> <tr><td>1: 9,5</td><td style="text-align: right;">↓</td></tr> <tr><td>2: 9,3</td><td style="text-align: right;">↖</td></tr> <tr><td>3: 9,2</td><td style="text-align: right;">↗</td></tr> <tr><td>4: 9,7</td><td style="text-align: right;">←</td></tr> <tr><td>5: 10,8*</td><td style="text-align: right;">→</td></tr> <tr><td>6: 9,4</td><td style="text-align: right;">↖</td></tr> <tr><td>7: 10,0</td><td style="text-align: right;">←</td></tr> <tr><td>8: 10,1</td><td style="text-align: right;">↖</td></tr> <tr><td>9: 10,2</td><td style="text-align: right;">↖</td></tr> <tr><td>10: 9,3</td><td style="text-align: right;">→</td></tr> <tr><td colspan="2" style="border-top: 1px solid black;">Serie 94,0</td></tr> <tr><td colspan="2" style="border-top: 1px solid black;">Totalt 678,0</td></tr> </table>	1: 9,5	↓	2: 9,3	↖	3: 9,2	↗	4: 9,7	←	5: 10,8*	→	6: 9,4	↖	7: 10,0	←	8: 10,1	↖	9: 10,2	↖	10: 9,3	→	Serie 94,0		Totalt 678,0	
1: 7,6	↖																																																		
2: 10,0	←																																																		
3: 10,4*	↖																																																		
4: 10,3*	↖																																																		
5: 9,9	↖																																																		
6: 10,5*	↗																																																		
7: 9,9	←																																																		
8: 8,1	←																																																		
9: 10,1	↑																																																		
10: 10,3	↓																																																		
Serie 93,0																																																			
Totalt 584,0																																																			
1: 9,5	↓																																																		
2: 9,3	↖																																																		
3: 9,2	↗																																																		
4: 9,7	←																																																		
5: 10,8*	→																																																		
6: 9,4	↖																																																		
7: 10,0	←																																																		
8: 10,1	↖																																																		
9: 10,2	↖																																																		
10: 9,3	→																																																		
Serie 94,0																																																			
Totalt 678,0																																																			

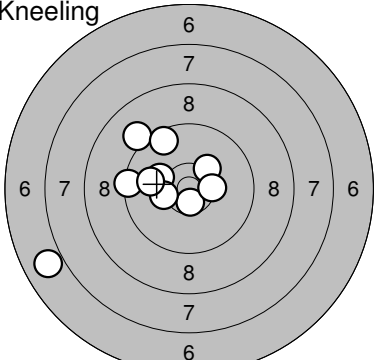


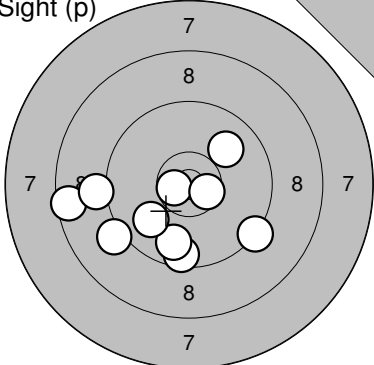
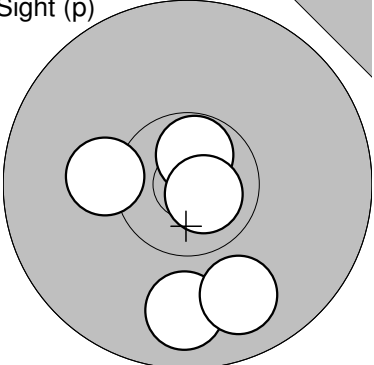
Standing		Standing	
	11: 9,9 ↘ 12: 10,2 ↗ 13: 8,8 ↘ 14: 8,6 ↘ 15: 9,2 ↗ 16: 9,2 ↗ 17: 9,6 → 18: 10,1 ← 19: 10,4* ← 20: 10,6* ←		21: 10,0 ↘ 22: 9,6 ↗ 23: 9,6 ↗ 24: 9,8 ↗ 25: 8,5 ← 26: 10,1 ← 27: 8,8 → 28: 10,1 ← 29: 10,7* ↘ 30: 9,1 →
Serie 92,0		Serie 92,0	
Totalt 770,0		Totalt 862,0	

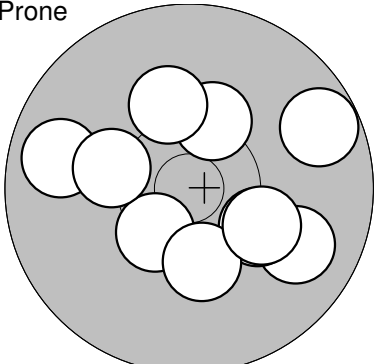
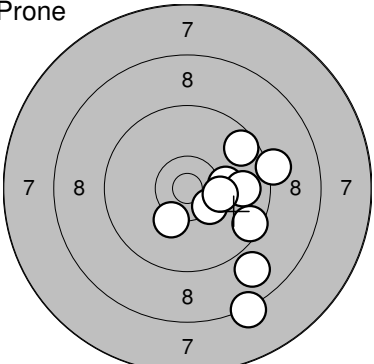
Standing		Sight (k)	
	31: 9,1 → 32: 10,7* ↗ 33: 9,5 → 34: 10,2 ← 35: 9,7 ↗ 36: 10,4* → 37: 7,3 → 38: 10,4* ↘ 39: 9,6 ↘ 40: 8,1 ↘		1: 8,8 ↘ 2: 9,8 ↘ 3: 9,5 ↘ 4: 8,8 ↗ 5: 9,8 ↘ 6: 9,6 ← 7: 9,6 → 8: 9,5 ↗ 9: 9,5 → 10: 10,4* →
Serie 91,0		Serie 89,0	
Totalt 953,0		Totalt 953,0	

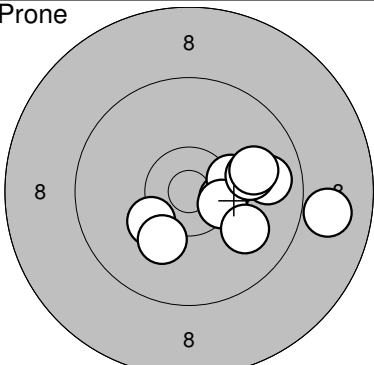
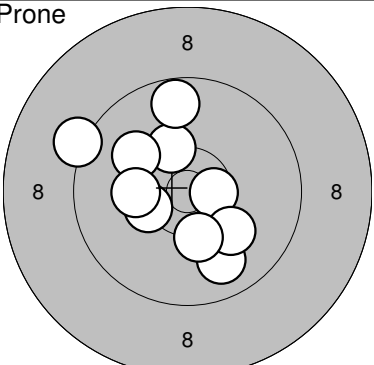
Sight (k)		Kneeling	
	11: 8,3 ↑ 12: 9,1 ↑ 13: 10,7* ↑		1: 10,3 ↑ 2: 10,3 ↘ 3: 9,8 → 4: 9,4 ↑ 5: 10,5* ← 6: 10,0 ↑ 7: 9,3 → 8: 10,3* ↗ 9: 9,8 ↑ 10: 10,5* ←
Serie 27,0		Serie 96,0	
Totalt 953,0		Totalt 1049,0	

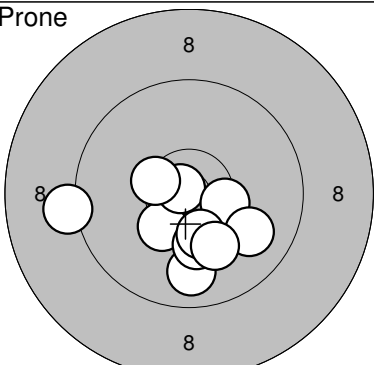
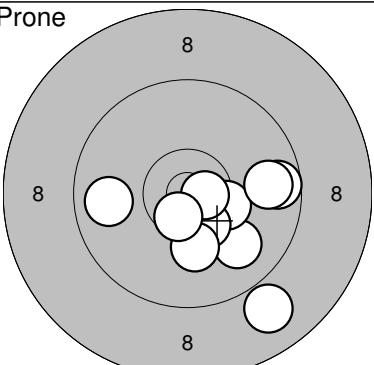
Kneeling		Kneeling	
	11: 10,2 ← 12: 10,2 ↗ 13: 9,6 ↘ 14: 10,0 → 15: 8,7 ← 16: 9,4 ↘ 17: 9,3 ↘ 18: 8,7 ↘ 19: 8,6 ↘ 20: 9,4 ↘		21: 9,0 ← 22: 10,3* ← 23: 9,0 → 24: 10,6* ↗ 25: 10,3* → 26: 9,4 ↘ 27: 9,7 ↘ 28: 9,8 ↘ 29: 10,2 ↗ 30: 10,0 ↑
Serie 90,0		Serie 95,0	
Totalt 1139,0		Totalt 1234,0	

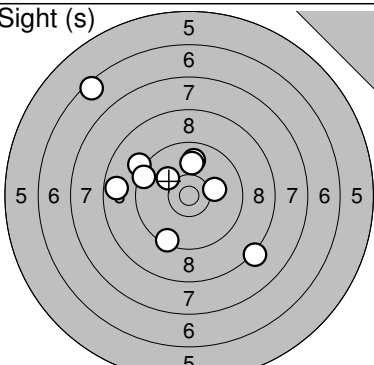
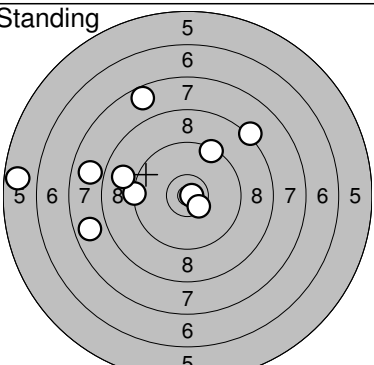
Kneeling			
	31: 9,1 ↗ 32: 6,9 ↘ 33: 10,6* ↘ 34: 10,2 ↗ 35: 9,4 ← 36: 9,6 ↗ 37: 10,3* ← 38: 10,3 ↗ 39: 10,0 ← 40: 10,4* →		
Serie 93,0			
Totalt 1327,0			

Sight (p) 	1: 9,9 ↗ 2: 8,5 ← 3: 9,3 ↘ 4: 10,7* ← 5: 9,1 ↘ 6: 9,5 ↘ 7: 10,6* ↘ 8: 9,1 ← 9: 9,8 ↘ 10: 9,9 ↘ <hr/> Serie 91,0 Totalt 0,0	Sight (p) 	11: 10,2 ← 12: 9,8 ↓ 13: 10,7* ↑ 14: 9,9 ↓ 15: 10,8* ↘ <hr/> Serie 48,0 Totalt 0,0
-----------------------------------------------------------------------------------------------	-------------------------------------------------------------------------------------------------------------------------------------------------------------	-------------------------------------------------------------------------------------------------	------------------------------------------------------------------------------------------------------

Prone 	1: 10,5* ↘ 2: 9,8 ↗ 3: 9,9 ↘ 4: 10,2 ↘ 5: 10,3* ↗ 6: 10,2 ↗ 7: 9,7 ↗ 8: 10,3 ↘ 9: 10,2 ↗ 10: 10,2 ↘ <hr/> Serie 97,0 Totalt 97,0	Prone 	11: 10,4* ↘ 12: 8,3 ↓ 13: 10,2 → 14: 8,9 ↘ 15: 9,2 → 16: 9,8 → 17: 9,5 ↘ 18: 10,2 ↓ 19: 9,6 → 20: 10,3* → <hr/> Serie 92,0 Totalt 189,0
-------------------------------------------------------------------------------------------	-------------------------------------------------------------------------------------------------------------------------------------------------------------------	---------------------------------------------------------------------------------------------	--------------------------------------------------------------------------------------------------------------------------------------------------------------------------

Prone 	21: 9,8 → 22: 10,4* → 23: 8,9 → 24: 10,3 ↘ 25: 10,2 ↘ 26: 10,3* → 27: 10,4* → 28: 10,0 → 29: 10,0 → 30: 10,0 ↘ <hr/> Serie 97,0 Totalt 286,0	Prone 	31: 10,3* ↑ 32: 10,6* → 33: 9,9 ↘ 34: 10,1 ↗ 35: 9,2 ↗ 36: 10,3* ← 37: 9,7 ↑ 38: 10,1 ↘ 39: 10,3 ↓ 40: 10,2 ← <hr/> Serie 97,0 Totalt 383,0
--------------------------------------------------------------------------------------------	-------------------------------------------------------------------------------------------------------------------------------------------------------------------------------	----------------------------------------------------------------------------------------------	------------------------------------------------------------------------------------------------------------------------------------------------------------------------------

Prone 	41: 10,3* ↘ 42: 9,8 ↘ 43: 10,8* ↗ 44: 10,4* → 45: 9,9 ↘ 46: 10,2 ↘ 47: 9,2 ↘ 48: 10,3* ↘ 49: 10,1 ↘ 50: 10,4* ↗ <hr/> Serie 97,0 Totalt 480,0	Prone 	51: 9,6 → 52: 9,9 ↘ 53: 8,9 ↘ 54: 10,4* → 55: 10,4* ↘ 56: 10,2 ↘ 57: 9,8 ← 58: 10,7* → 59: 10,6* ↓ 60: 9,8 → <hr/> Serie 94,0 Totalt 574,0
---------------------------------------------------------------------------------------------	--------------------------------------------------------------------------------------------------------------------------------------------------------------------------------	-----------------------------------------------------------------------------------------------	-----------------------------------------------------------------------------------------------------------------------------------------------------------------------------

Sight (s) 	1: 8,2 ↘ 2: 6,5 ↗ 3: 10,1 → 4: 9,9 → 5: 9,2 ↗ 6: 9,5 ↗ 7: 8,7 ← 8: 10,1 ↗ 9: 9,4 ↘ 10: 10,0 ↑ <hr/> Serie 88,0 Totalt 574,0	Standing 	1: 7,7 ↗ 2: 10,8* → 3: 5,7 ← 4: 9,3 ← 5: 7,8 ← 6: 7,9 ← 7: 8,9 ← 8: 8,2 ↗ 9: 9,4 ↗ 10: 10,5* ↘ <hr/> Serie 80,0 Totalt 654,0
-------------------------------------------------------------------------------------------------	--------------------------------------------------------------------------------------------------------------------------------------------------------------	--------------------------------------------------------------------------------------------------	---------------------------------------------------------------------------------------------------------------------------------------------------------------

<p>Standing</p>	<table style="width: 100%; border-collapse: collapse;"> <tr><td>11: 9,7</td><td style="text-align: right;">↑</td></tr> <tr><td>12: 9,3</td><td style="text-align: right;">↗</td></tr> <tr><td>13: 10,0</td><td style="text-align: right;">↗</td></tr> <tr><td>14: 7,1</td><td style="text-align: right;">↗</td></tr> <tr><td>15: 9,9</td><td style="text-align: right;">↗</td></tr> <tr><td>16: 10,0</td><td style="text-align: right;">↖</td></tr> <tr><td>17: 10,1</td><td style="text-align: right;">↖</td></tr> <tr><td>18: 8,6</td><td style="text-align: right;">↘</td></tr> <tr><td>19: 9,5</td><td style="text-align: right;">↖</td></tr> <tr><td>20: 6,9</td><td style="text-align: right;">↖</td></tr> <tr><td colspan="2"><hr/></td></tr> <tr><td style="text-align: right;">Serie</td><td style="text-align: right;">87,0</td></tr> <tr><td style="text-align: right;">Totalt</td><td style="text-align: right;">741,0</td></tr> </table>	11: 9,7	↑	12: 9,3	↗	13: 10,0	↗	14: 7,1	↗	15: 9,9	↗	16: 10,0	↖	17: 10,1	↖	18: 8,6	↘	19: 9,5	↖	20: 6,9	↖	<hr/>		Serie	87,0	Totalt	741,0	<p>Standing</p>	<table style="width: 100%; border-collapse: collapse;"> <tr><td>21: 9,3</td><td style="text-align: right;">→</td></tr> <tr><td>22: 9,4</td><td style="text-align: right;">↓</td></tr> <tr><td>23: 8,5</td><td style="text-align: right;">↓</td></tr> <tr><td>24: 8,1</td><td style="text-align: right;">↘</td></tr> <tr><td>25: 7,9</td><td style="text-align: right;">↗</td></tr> <tr><td>26: 9,7</td><td style="text-align: right;">↖</td></tr> <tr><td>27: 9,3</td><td style="text-align: right;">↖</td></tr> <tr><td>28: 8,6</td><td style="text-align: right;">↗</td></tr> <tr><td>29: 10,1</td><td style="text-align: right;">↗</td></tr> <tr><td>30: 9,9</td><td style="text-align: right;">↓</td></tr> <tr><td colspan="2"><hr/></td></tr> <tr><td style="text-align: right;">Serie</td><td style="text-align: right;">86,0</td></tr> <tr><td style="text-align: right;">Totalt</td><td style="text-align: right;">827,0</td></tr> </table>	21: 9,3	→	22: 9,4	↓	23: 8,5	↓	24: 8,1	↘	25: 7,9	↗	26: 9,7	↖	27: 9,3	↖	28: 8,6	↗	29: 10,1	↗	30: 9,9	↓	<hr/>		Serie	86,0	Totalt	827,0
11: 9,7	↑																																																						
12: 9,3	↗																																																						
13: 10,0	↗																																																						
14: 7,1	↗																																																						
15: 9,9	↗																																																						
16: 10,0	↖																																																						
17: 10,1	↖																																																						
18: 8,6	↘																																																						
19: 9,5	↖																																																						
20: 6,9	↖																																																						
<hr/>																																																							
Serie	87,0																																																						
Totalt	741,0																																																						
21: 9,3	→																																																						
22: 9,4	↓																																																						
23: 8,5	↓																																																						
24: 8,1	↘																																																						
25: 7,9	↗																																																						
26: 9,7	↖																																																						
27: 9,3	↖																																																						
28: 8,6	↗																																																						
29: 10,1	↗																																																						
30: 9,9	↓																																																						
<hr/>																																																							
Serie	86,0																																																						
Totalt	827,0																																																						

<p>Standing</p>	<table style="width: 100%; border-collapse: collapse;"> <tr><td>31: 9,7</td><td style="text-align: right;">↖</td></tr> <tr><td>32: 10,5*</td><td style="text-align: right;">↓</td></tr> <tr><td>33: 10,2</td><td style="text-align: right;">↖</td></tr> <tr><td>34: 9,9</td><td style="text-align: right;">↖</td></tr> <tr><td>35: 8,7</td><td style="text-align: right;">↖</td></tr> <tr><td>36: 9,4</td><td style="text-align: right;">↗</td></tr> <tr><td>37: 10,3*</td><td style="text-align: right;">↖</td></tr> <tr><td>38: 10,2</td><td style="text-align: right;">↘</td></tr> <tr><td>39: 9,6</td><td style="text-align: right;">↗</td></tr> <tr><td>40: 8,8</td><td style="text-align: right;">↗</td></tr> <tr><td colspan="2"><hr/></td></tr> <tr><td style="text-align: right;">Serie</td><td style="text-align: right;">92,0</td></tr> <tr><td style="text-align: right;">Totalt</td><td style="text-align: right;">919,0</td></tr> </table>	31: 9,7	↖	32: 10,5*	↓	33: 10,2	↖	34: 9,9	↖	35: 8,7	↖	36: 9,4	↗	37: 10,3*	↖	38: 10,2	↘	39: 9,6	↗	40: 8,8	↗	<hr/>		Serie	92,0	Totalt	919,0	<p>Sight (k)</p>	<table style="width: 100%; border-collapse: collapse;"> <tr><td>1: 9,1</td><td style="text-align: right;">↖</td></tr> <tr><td>2: 9,9</td><td style="text-align: right;">→</td></tr> <tr><td>3: 10,1</td><td style="text-align: right;">↓</td></tr> <tr><td>4: 8,8</td><td style="text-align: right;">↖</td></tr> <tr><td>5: 10,2</td><td style="text-align: right;">↓</td></tr> <tr><td>6: 9,7</td><td style="text-align: right;">↗</td></tr> <tr><td>7: 9,0</td><td style="text-align: right;">↖</td></tr> <tr><td>8: 10,2</td><td style="text-align: right;">↖</td></tr> <tr><td>9: 9,8</td><td style="text-align: right;">→</td></tr> <tr><td>10: 9,8</td><td style="text-align: right;">↓</td></tr> <tr><td colspan="2"><hr/></td></tr> <tr><td style="text-align: right;">Serie</td><td style="text-align: right;">92,0</td></tr> <tr><td style="text-align: right;">Totalt</td><td style="text-align: right;">919,0</td></tr> </table>	1: 9,1	↖	2: 9,9	→	3: 10,1	↓	4: 8,8	↖	5: 10,2	↓	6: 9,7	↗	7: 9,0	↖	8: 10,2	↖	9: 9,8	→	10: 9,8	↓	<hr/>		Serie	92,0	Totalt	919,0
31: 9,7	↖																																																						
32: 10,5*	↓																																																						
33: 10,2	↖																																																						
34: 9,9	↖																																																						
35: 8,7	↖																																																						
36: 9,4	↗																																																						
37: 10,3*	↖																																																						
38: 10,2	↘																																																						
39: 9,6	↗																																																						
40: 8,8	↗																																																						
<hr/>																																																							
Serie	92,0																																																						
Totalt	919,0																																																						
1: 9,1	↖																																																						
2: 9,9	→																																																						
3: 10,1	↓																																																						
4: 8,8	↖																																																						
5: 10,2	↓																																																						
6: 9,7	↗																																																						
7: 9,0	↖																																																						
8: 10,2	↖																																																						
9: 9,8	→																																																						
10: 9,8	↓																																																						
<hr/>																																																							
Serie	92,0																																																						
Totalt	919,0																																																						

<p>Sight (k)</p>	<table style="width: 100%; border-collapse: collapse;"> <tr><td>11: 7,4</td><td style="text-align: right;">↖</td></tr> <tr><td>12: 10,0</td><td style="text-align: right;">↖</td></tr> <tr><td colspan="2"><hr/></td></tr> <tr><td style="text-align: right;">Serie</td><td style="text-align: right;">17,0</td></tr> <tr><td style="text-align: right;">Totalt</td><td style="text-align: right;">919,0</td></tr> </table>	11: 7,4	↖	12: 10,0	↖	<hr/>		Serie	17,0	Totalt	919,0	<p>Kneeling</p>	<table style="width: 100%; border-collapse: collapse;"> <tr><td>1: 10,1</td><td style="text-align: right;">↑</td></tr> <tr><td>2: 9,5</td><td style="text-align: right;">↖</td></tr> <tr><td>3: 9,6</td><td style="text-align: right;">↖</td></tr> <tr><td>4: 8,1</td><td style="text-align: right;">↖</td></tr> <tr><td>5: 10,5*</td><td style="text-align: right;">↘</td></tr> <tr><td>6: 10,4*</td><td style="text-align: right;">↗</td></tr> <tr><td>7: 8,4</td><td style="text-align: right;">↖</td></tr> <tr><td>8: 10,0</td><td style="text-align: right;">→</td></tr> <tr><td>9: 10,2</td><td style="text-align: right;">→</td></tr> <tr><td>10: 10,7*</td><td style="text-align: right;">↖</td></tr> <tr><td colspan="2"><hr/></td></tr> <tr><td style="text-align: right;">Serie</td><td style="text-align: right;">94,0</td></tr> <tr><td style="text-align: right;">Totalt</td><td style="text-align: right;">1013,0</td></tr> </table>	1: 10,1	↑	2: 9,5	↖	3: 9,6	↖	4: 8,1	↖	5: 10,5*	↘	6: 10,4*	↗	7: 8,4	↖	8: 10,0	→	9: 10,2	→	10: 10,7*	↖	<hr/>		Serie	94,0	Totalt	1013,0
11: 7,4	↖																																						
12: 10,0	↖																																						
<hr/>																																							
Serie	17,0																																						
Totalt	919,0																																						
1: 10,1	↑																																						
2: 9,5	↖																																						
3: 9,6	↖																																						
4: 8,1	↖																																						
5: 10,5*	↘																																						
6: 10,4*	↗																																						
7: 8,4	↖																																						
8: 10,0	→																																						
9: 10,2	→																																						
10: 10,7*	↖																																						
<hr/>																																							
Serie	94,0																																						
Totalt	1013,0																																						

<p>Kneeling</p>	<table style="width: 100%; border-collapse: collapse;"> <tr><td>11: 9,8</td><td style="text-align: right;">↗</td></tr> <tr><td>12: 9,8</td><td style="text-align: right;">↓</td></tr> <tr><td>13: 9,2</td><td style="text-align: right;">↖</td></tr> <tr><td>14: 8,8</td><td style="text-align: right;">↗</td></tr> <tr><td>15: 10,4*</td><td style="text-align: right;">↖</td></tr> <tr><td>16: 9,9</td><td style="text-align: right;">↗</td></tr> <tr><td>17: 10,1</td><td style="text-align: right;">↖</td></tr> <tr><td>18: 8,9</td><td style="text-align: right;">→</td></tr> <tr><td>19: 10,5*</td><td style="text-align: right;">↑</td></tr> <tr><td>20: 10,5*</td><td style="text-align: right;">↓</td></tr> <tr><td colspan="2"><hr/></td></tr> <tr><td style="text-align: right;">Serie</td><td style="text-align: right;">92,0</td></tr> <tr><td style="text-align: right;">Totalt</td><td style="text-align: right;">1105,0</td></tr> </table>	11: 9,8	↗	12: 9,8	↓	13: 9,2	↖	14: 8,8	↗	15: 10,4*	↖	16: 9,9	↗	17: 10,1	↖	18: 8,9	→	19: 10,5*	↑	20: 10,5*	↓	<hr/>		Serie	92,0	Totalt	1105,0	<p>Kneeling</p>	<table style="width: 100%; border-collapse: collapse;"> <tr><td>21: 8,7</td><td style="text-align: right;">↖</td></tr> <tr><td>22: 9,4</td><td style="text-align: right;">↗</td></tr> <tr><td>23: 9,8</td><td style="text-align: right;">↗</td></tr> <tr><td>24: 9,6</td><td style="text-align: right;">↖</td></tr> <tr><td>25: 10,2</td><td style="text-align: right;">↑</td></tr> <tr><td>26: 9,7</td><td style="text-align: right;">↖</td></tr> <tr><td>27: 10,4*</td><td style="text-align: right;">↑</td></tr> <tr><td>28: 9,6</td><td style="text-align: right;">↖</td></tr> <tr><td>29: 10,0</td><td style="text-align: right;">↖</td></tr> <tr><td>30: 10,3*</td><td style="text-align: right;">↘</td></tr> <tr><td colspan="2"><hr/></td></tr> <tr><td style="text-align: right;">Serie</td><td style="text-align: right;">93,0</td></tr> <tr><td style="text-align: right;">Totalt</td><td style="text-align: right;">1198,0</td></tr> </table>	21: 8,7	↖	22: 9,4	↗	23: 9,8	↗	24: 9,6	↖	25: 10,2	↑	26: 9,7	↖	27: 10,4*	↑	28: 9,6	↖	29: 10,0	↖	30: 10,3*	↘	<hr/>		Serie	93,0	Totalt	1198,0
11: 9,8	↗																																																						
12: 9,8	↓																																																						
13: 9,2	↖																																																						
14: 8,8	↗																																																						
15: 10,4*	↖																																																						
16: 9,9	↗																																																						
17: 10,1	↖																																																						
18: 8,9	→																																																						
19: 10,5*	↑																																																						
20: 10,5*	↓																																																						
<hr/>																																																							
Serie	92,0																																																						
Totalt	1105,0																																																						
21: 8,7	↖																																																						
22: 9,4	↗																																																						
23: 9,8	↗																																																						
24: 9,6	↖																																																						
25: 10,2	↑																																																						
26: 9,7	↖																																																						
27: 10,4*	↑																																																						
28: 9,6	↖																																																						
29: 10,0	↖																																																						
30: 10,3*	↘																																																						
<hr/>																																																							
Serie	93,0																																																						
Totalt	1198,0																																																						

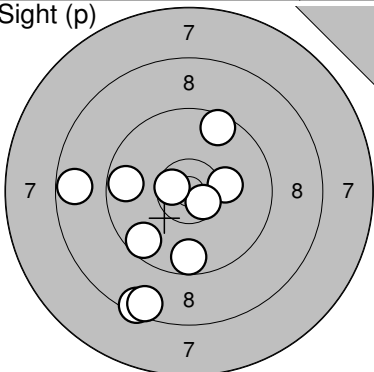
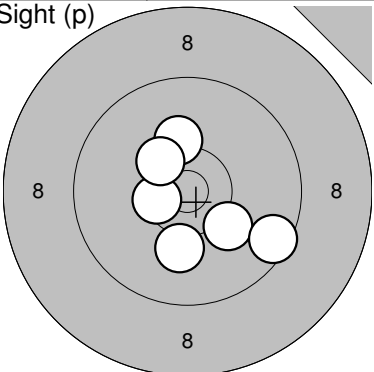
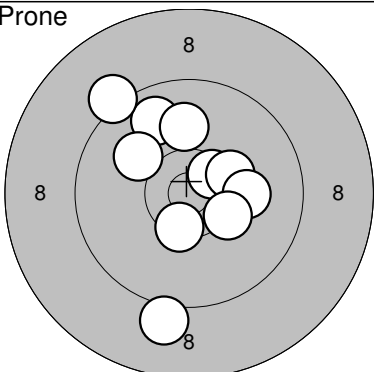
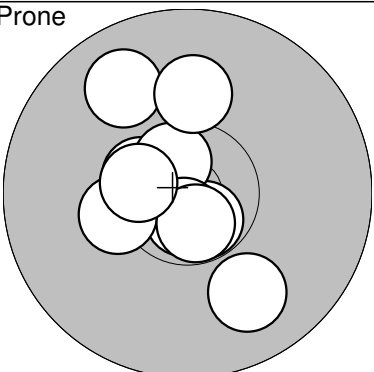
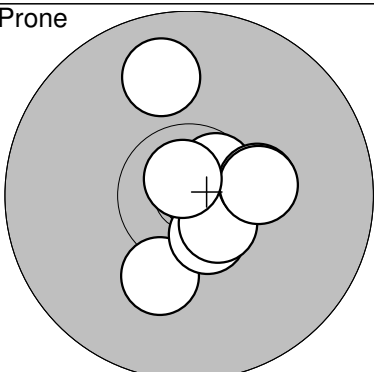
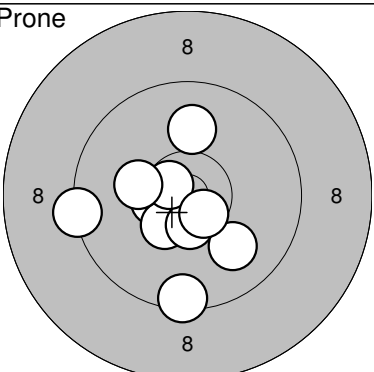
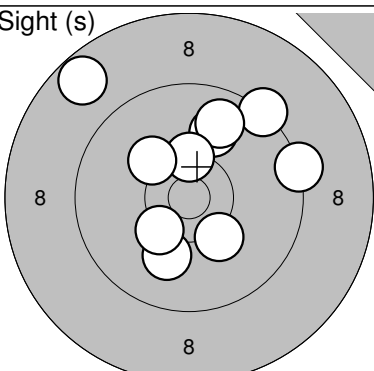
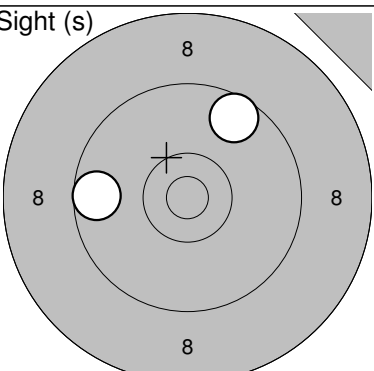
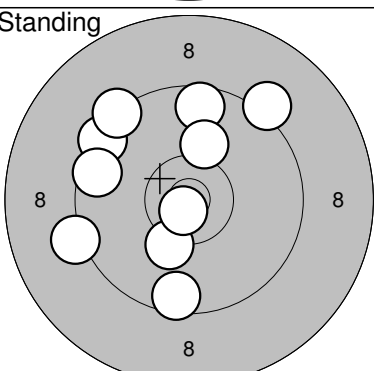
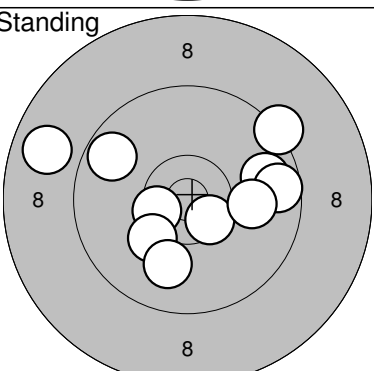
<p>Kneeling</p>	<table style="width: 100%; border-collapse: collapse;"> <tr><td>31: 9,5</td><td style="text-align: right;">↗</td></tr> <tr><td>32: 9,1</td><td style="text-align: right;">↗</td></tr> <tr><td>33: 9,7</td><td style="text-align: right;">↗</td></tr> <tr><td>34: 10,0</td><td style="text-align: right;">↖</td></tr> <tr><td>35: 8,9</td><td style="text-align: right;">↗</td></tr> <tr><td>36: 10,4*</td><td style="text-align: right;">↖</td></tr> <tr><td>37: 8,2</td><td style="text-align: right;">↖</td></tr> <tr><td>38: 9,5</td><td style="text-align: right;">↑</td></tr> <tr><td>39: 10,1</td><td style="text-align: right;">↗</td></tr> <tr><td>40: 10,5*</td><td style="text-align: right;">↖</td></tr> <tr><td colspan="2"><hr/></td></tr> <tr><td style="text-align: right;">Serie</td><td style="text-align: right;">92,0</td></tr> <tr><td style="text-align: right;">Totalt</td><td style="text-align: right;">1290,0</td></tr> </table>	31: 9,5	↗	32: 9,1	↗	33: 9,7	↗	34: 10,0	↖	35: 8,9	↗	36: 10,4*	↖	37: 8,2	↖	38: 9,5	↑	39: 10,1	↗	40: 10,5*	↖	<hr/>		Serie	92,0	Totalt	1290,0		
31: 9,5	↗																												
32: 9,1	↗																												
33: 9,7	↗																												
34: 10,0	↖																												
35: 8,9	↗																												
36: 10,4*	↖																												
37: 8,2	↖																												
38: 9,5	↑																												
39: 10,1	↗																												
40: 10,5*	↖																												
<hr/>																													
Serie	92,0																												
Totalt	1290,0																												

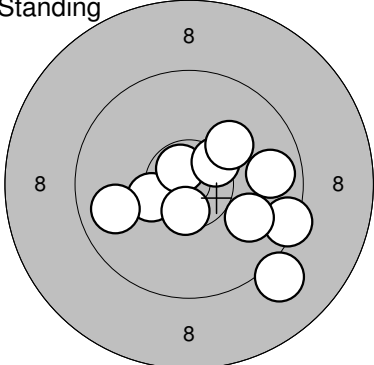
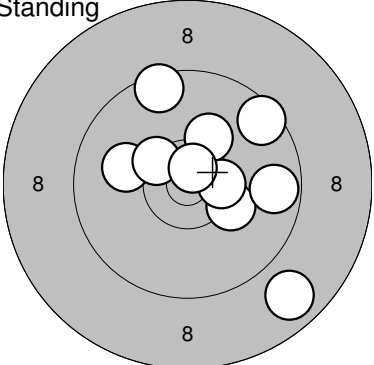
Eskilstuna Skf

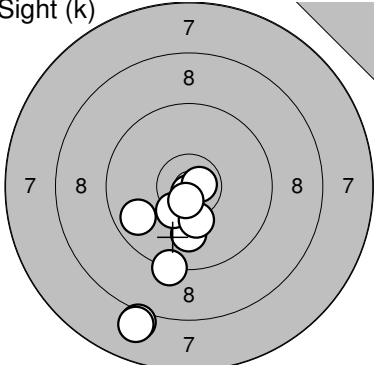
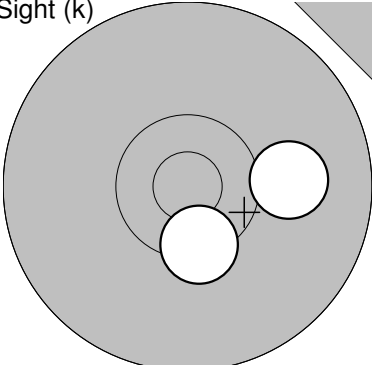
2011-04-10

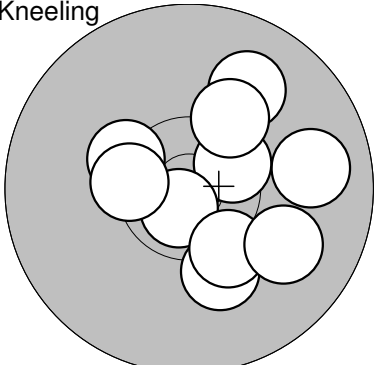
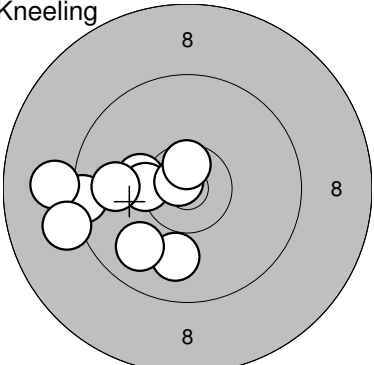
Startskottet 2011

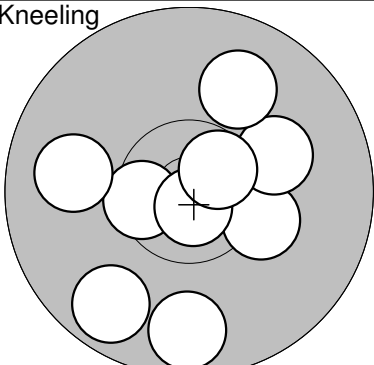
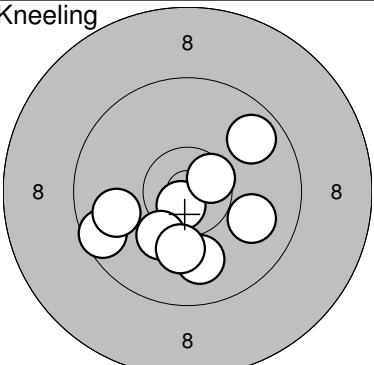
Umeå skytteallians

<p>Sight (p)</p> 	<p>1: 8,7 ← 2: 8,5 ↓ 3: 8,6 ↓ 4: 10,2 → 5: 9,6 ↑ 6: 9,7 ← 7: 9,6 ↓ 8: 9,6 ↓ 9: 10,6* ↓ 10: 10,6* ↑</p> <p>Serie 90,0 Totalt 0,0</p>	<p>Sight (p)</p> 	<p>11: 10,1 ↓ 12: 10,2 ↓ 13: 9,5 ↓ 14: 10,2 ↑ 15: 10,5* ← 16: 10,4* ↑</p> <p>Serie 59,0 Totalt 0,0</p>
<p>Prone</p> 	<p>1: 9,8 ↑ 2: 10,0 ↑ 3: 9,2 ↑ 4: 10,4* ↓ 5: 10,5* ↑ 6: 9,1 ↓ 7: 10,3* → 8: 10,1 → 9: 10,1 → 10: 10,3* ↓</p> <p>Serie 97,0 Totalt 97,0</p>	<p>Prone</p> 	<p>11: 10,5* ← 12: 10,7* ↓ 13: 10,6* ↑ 14: 9,9 ↑ 15: 10,7* ↓ 16: 10,3* ← 17: 9,9 ↓ 18: 10,7* ↓ 19: 10,5* ← 20: 10,1 ↑</p> <p>Serie 98,0 Totalt 195,0</p>
<p>Prone</p> 	<p>21: 10,2 ↓ 22: 10,8* → 23: 10,8* → 24: 10,6* → 25: 10,6* ↓ 26: 10,6* ↓ 27: 10,3* → 28: 10,3* → 29: 10,8* → 30: 9,9 ↑</p> <p>Serie 99,0 Totalt 294,0</p>	<p>Prone</p> 	<p>31: 10,5* ← 32: 10,0 ↑ 33: 9,4 ← 34: 10,4* ↓ 35: 9,5 ↓ 36: 10,5* ↓ 37: 10,7* ↑ 38: 10,2 ← 39: 10,0 ↓ 40: 10,6* ↓</p> <p>Serie 98,0 Totalt 392,0</p>
<p>Sight (s)</p> 	<p>1: 8,7 ↑ 2: 9,3 ↑ 3: 10,0 ↑ 4: 9,8 ↑ 5: 9,3 → 6: 10,4* ↑ 7: 10,2 ↓ 8: 10,2 ↓ 9: 10,1 ↓ 10: 10,3* ↓</p> <p>Serie 95,0 Totalt 392,0</p>	<p>Sight (s)</p> 	<p>11: 9,6 ↑ 12: 9,7 ←</p> <p>Serie 18,0 Totalt 392,0</p>
<p>Standing</p> 	<p>1: 10,2 ↓ 2: 9,6 ↓ 3: 9,6 ↑ 4: 9,2 ← 5: 9,4 ↑ 6: 10,1 ↑ 7: 9,2 ↑ 8: 9,3 ↑ 9: 9,6 ← 10: 10,8* ↓</p> <p>Serie 93,0 Totalt 485,0</p>	<p>Standing</p> 	<p>11: 8,8 ← 12: 10,5* ← 13: 10,5* ↓ 14: 9,8 → 15: 9,3 ↑ 16: 9,6 → 17: 9,7 ↑ 18: 10,0 → 19: 10,2 ↓ 20: 10,0 ↓</p> <p>Serie 94,0 Totalt 579,0</p>

<p>Standing</p> 	<p>21: 9,4 → 22: 10,4* ← 23: 9,8 → 24: 10,7* ↗ 25: 10,0 ↘ 26: 9,8 ← 27: 10,5* ↗ 28: 9,1 ↘ 29: 10,6* ↓ 30: 10,1 ↗</p> <p>Serie 96,0 Totalt 675,0</p>	<p>Standing</p> 	<p>31: 10,0 ← 32: 10,2 → 33: 10,2 ↑ 34: 10,4* ↗ 35: 10,5* → 36: 10,7* ↑ 37: 9,5 ↗ 38: 9,5 ↑ 39: 9,7 → 40: 8,8 ↓</p> <p>Serie 95,0 Totalt 770,0</p>
--------------------------------------------------------------------------------------------------	---------------------------------------------------------------------------------------------------------------------------------------------------------------------------------------------	----------------------------------------------------------------------------------------------------	--------------------------------------------------------------------------------------------------------------------------------------------------------------------------------------------

<p>Sight (k)</p> 	<p>1: 8,1 ↓ 2: 8,0 ↓ 3: 9,3 ↓ 4: 9,8 ← 5: 10,0 ↓ 6: 10,4* ↓ 7: 10,8* ↓ 8: 10,3 ↓ 9: 10,7* → 10: 10,7* →</p> <p>Serie 94,0 Totalt 770,0</p>	<p>Sight (k)</p> 	<p>11: 10,4* ↓ 12: 10,0 →</p> <p>Serie 20,0 Totalt 770,0</p>
---------------------------------------------------------------------------------------------------	------------------------------------------------------------------------------------------------------------------------------------------------------------------------------------	-----------------------------------------------------------------------------------------------------	----------------------------------------------------------------------

<p>Kneeling</p> 	<p>1: 9,8 → 2: 10,2 ↓ 3: 10,5* ↗ 4: 10,3* ↗ 5: 10,7* ↘ 6: 9,9 ↗ 7: 10,2 ↗ 8: 10,4* ← 9: 10,3* ↓ 10: 10,0 ↓</p> <p>Serie 98,0 Totalt 868,0</p>	<p>Kneeling</p> 	<p>11: 10,3 ← 12: 9,4 ← 13: 9,0 ← 14: 10,4* ← 15: 9,1 ← 16: 10,8* ↗ 17: 9,9 ← 18: 10,6* ↑ 19: 10,0 ↓ 20: 9,9 ↓</p> <p>Serie 95,0 Totalt 963,0</p>
---------------------------------------------------------------------------------------------------	---------------------------------------------------------------------------------------------------------------------------------------------------------------------------------------	-----------------------------------------------------------------------------------------------------	-------------------------------------------------------------------------------------------------------------------------------------------------------------------------------------------

<p>Kneeling</p> 	<p>21: 10,5* → 22: 10,5* ← 23: 9,7 ↓ 24: 10,3 → 25: 9,7 ↓ 26: 10,1 → 27: 10,8* ↓ 28: 9,9 ← 29: 9,9 ↑ 30: 10,6* ↗</p> <p>Serie 96,0 Totalt 1059,0</p>	<p>Kneeling</p> 	<p>31: 9,6 ← 32: 10,0 ↓ 33: 10,7* ↓ 34: 9,8 ↗ 35: 9,9 → 36: 9,9 ← 37: 10,2 ↓ 38: 10,6* ↗ 39: 10,1 ↓ 40: 0,0 ↓</p> <p>Serie 86,0 Totalt 1145,0</p>
----------------------------------------------------------------------------------------------------	----------------------------------------------------------------------------------------------------------------------------------------------------------------------------------------------	------------------------------------------------------------------------------------------------------	-------------------------------------------------------------------------------------------------------------------------------------------------------------------------------------------

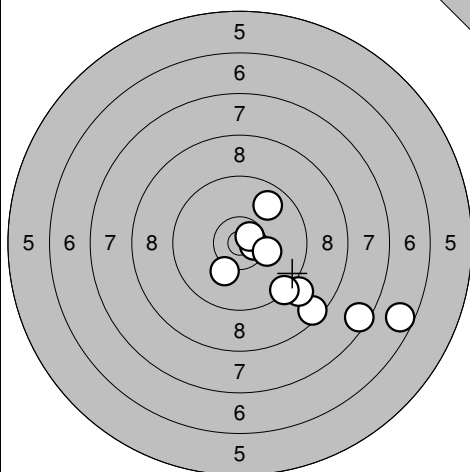
Umeå

2011-04-10

Startskottet 2011

Umeå skytteallians

Sight (p)

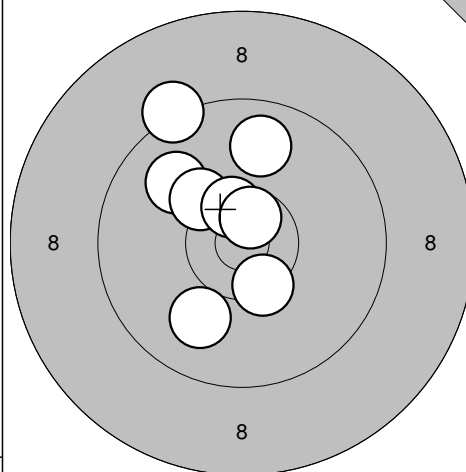


1: 10,6\* →  
 2: 6,6 ↘  
 3: 7,5 ↘  
 4: 8,5 ↘  
 5: 9,1 ↘  
 6: 10,7\* →  
 7: 9,8 ↗  
 8: 10,2 →  
 9: 9,4 ↘  
 10: 10,2 ↘

Serie 88,0

Totalt 0,0

Sight (p)

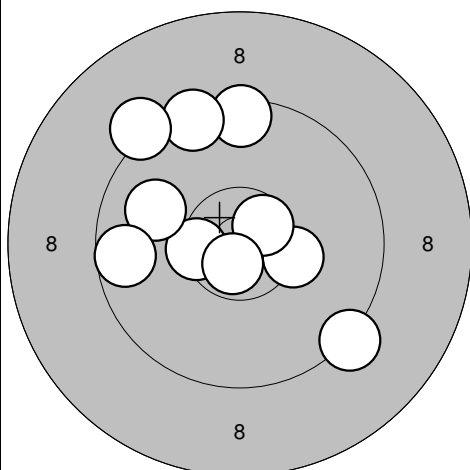


11: 10,0 ↘  
 12: 9,9 ↗  
 13: 9,8 ↑  
 14: 9,3 ↗  
 15: 10,3 ↗  
 16: 10,4\* ↘  
 17: 10,5\* ↑  
 18: 10,6\* ↗

Serie 77,0

Totalt 0,0

Prone

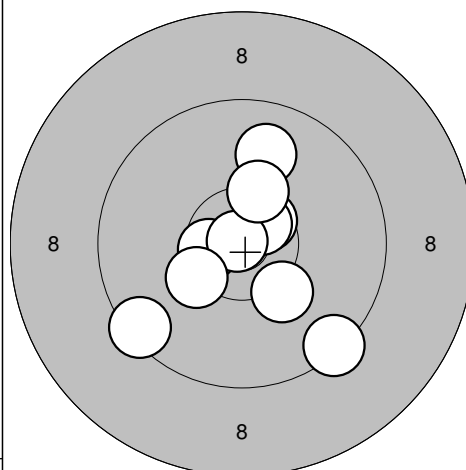


1: 10,5\* ←  
 2: 9,9 ↗  
 3: 9,5 ↑  
 4: 9,4 ↑  
 5: 9,6 ←  
 6: 9,2 ↗  
 7: 10,3\* →  
 8: 10,6\* ↗  
 9: 10,7\* ↘  
 10: 9,3 ↘

Serie 94,0

Totalt 94,0

Prone

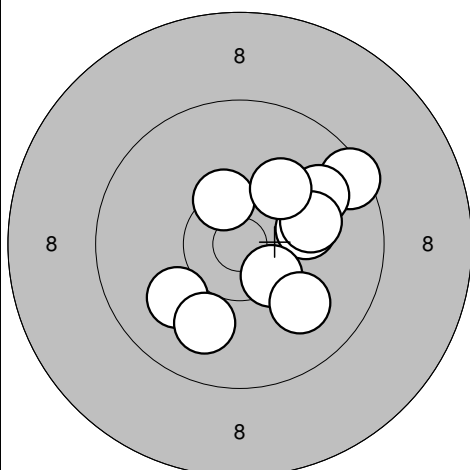


11: 10,6\* ←  
 12: 10,6\* ↗  
 13: 10,6\* ↗  
 14: 9,4 ↘  
 15: 10,2 ↘  
 16: 9,9 ↑  
 17: 10,9\* ↗  
 18: 10,3\* ↗  
 19: 9,4 ↗  
 20: 10,3\* ↗

Serie 97,0

Totalt 191,0

Prone



21: 9,5 ↗  
 22: 9,9 ↗  
 23: 10,4\* ↗  
 24: 10,2 →  
 25: 10,1 →  
 26: 10,0 ↘  
 27: 10,0 ↘  
 28: 10,4\* ↘  
 29: 10,0 ↘  
 30: 10,2 ↗

Serie 98,0

Totalt 289,0

Skjutlag

Tavla

2

5

William Öster

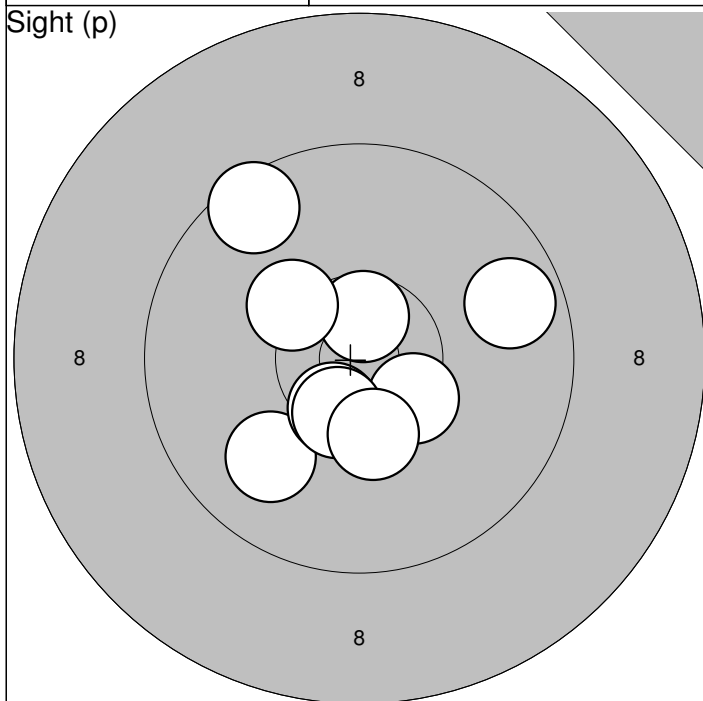
Umeå

2011-04-10

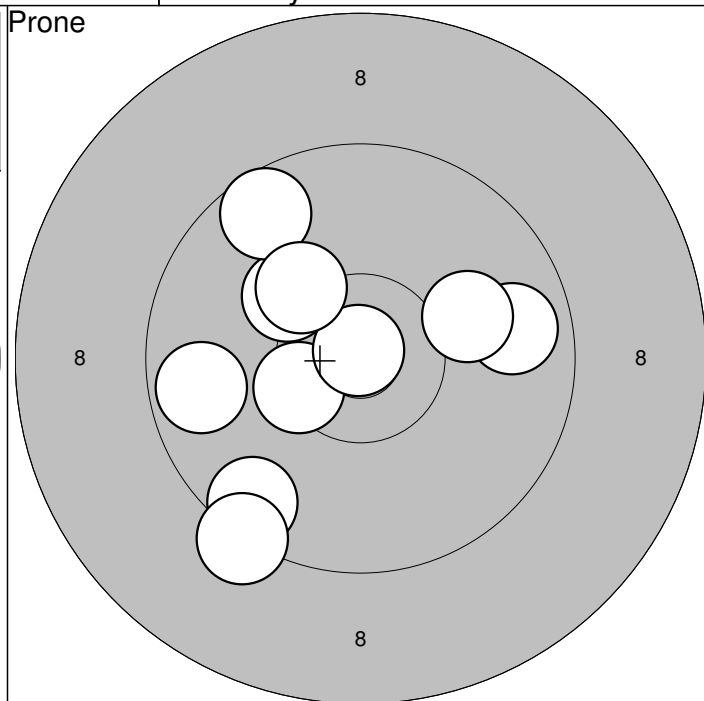
Startskottet 2011

Umeå skytteallians

Sight (p)



Prone



1: 9,7 →  
2: 9,9 ↙  
3:10,4\* ↘  
4:10,6\* ↑  
5: 9,5 ↗

6:10,5\* ↓  
7:10,5\* ↓  
8:10,3\* ↖  
9:10,4\* ↓

Serie 87,0

Totalt 0,0

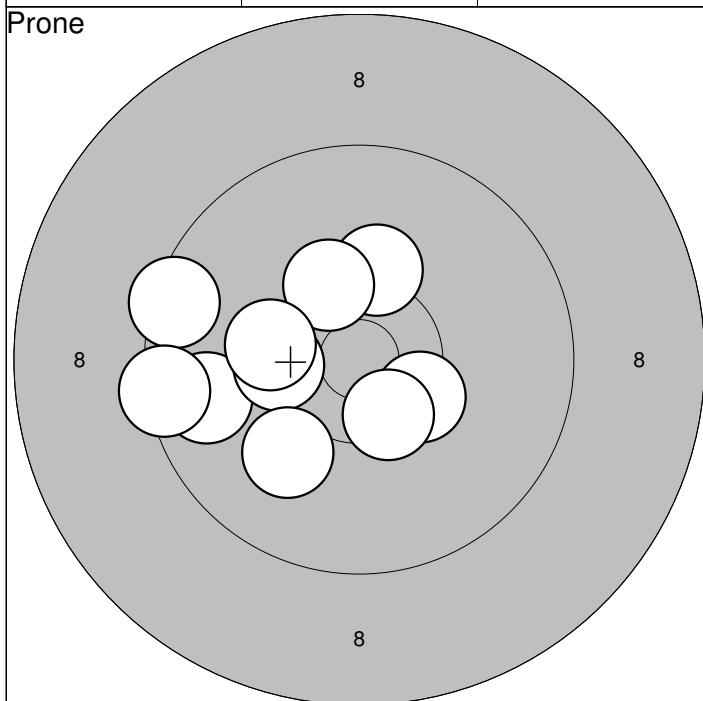
1:10,2 ↖  
2:10,4\* ↙  
3: 9,6 ↙  
4: 9,8 →  
5:10,1 →

6: 9,7 ←  
7: 9,6 ↗  
8:10,9\* ↑  
9: 9,3 ↙  
10:10,2 ↖

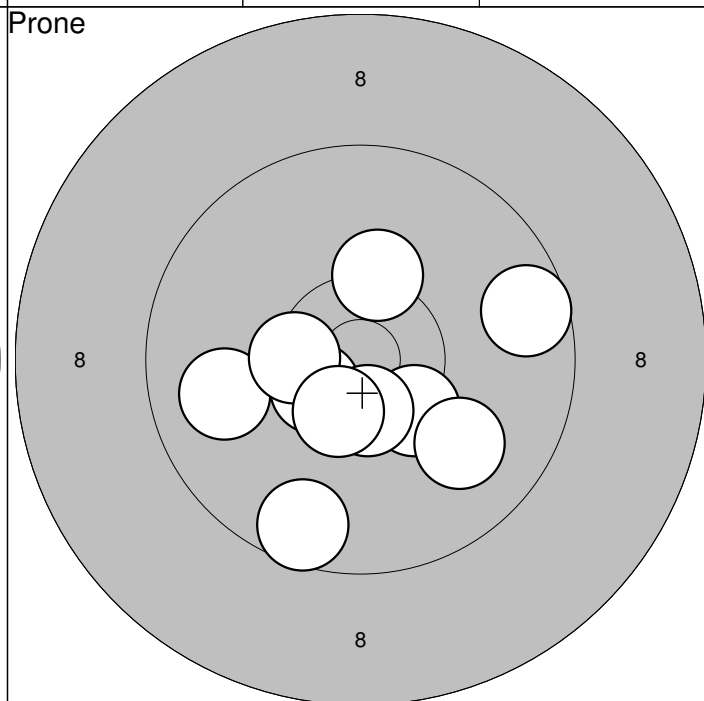
Serie 95,0

Totalt 95,0

Prone



Prone



11:10,4\* ↘  
12:10,3 ↑  
13: 9,7 ←  
14: 9,5 ←  
15:10,5\* ↓

16:10,3\* ↗  
17: 9,4 ←  
18:10,3\* ←  
19:10,1 ↙  
20:10,3 ←

Serie 97,0

Totalt 192,0

21:10,4\* ↘  
22:10,3\* ↑  
23: 9,6 ↓  
24: 9,9 ←  
25:10,5\* ↙

26:10,4\* ←  
27:10,0 ↘  
28: 9,6 →  
29:10,6\* ↓  
30:10,5\* ↓

Serie 97,0

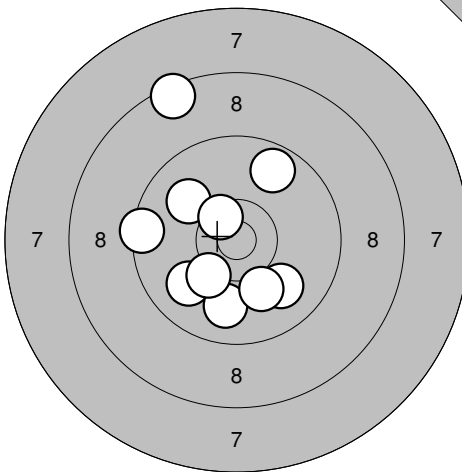
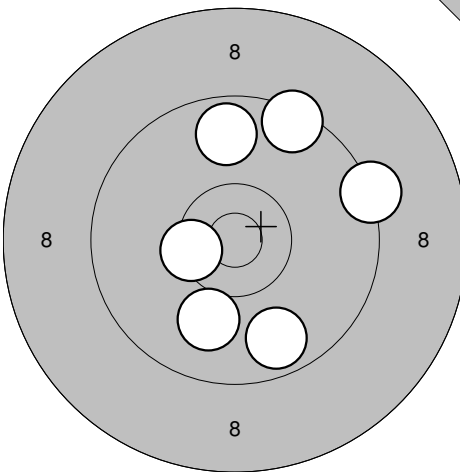
Totalt 289,0

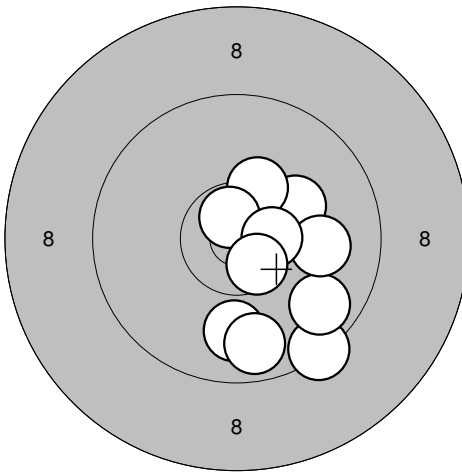
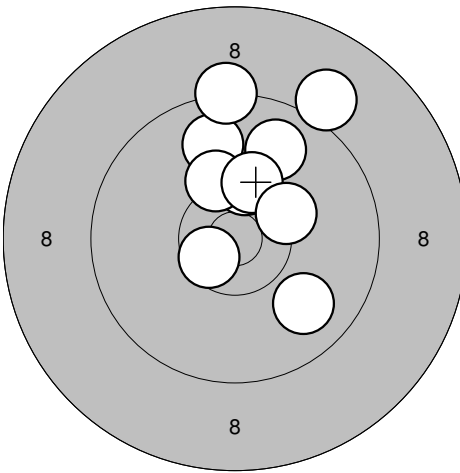
www.AC-Skytte.com

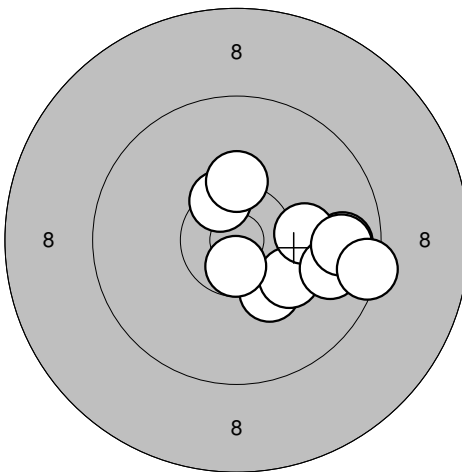
http://www.megalink.no

MLRemotelSSF 50m Gevär

14:58 - 10.04.2011

<p>Sight (p)</p> 	<p>1: 8,5 ↗ 2: 10,0 ↗ 3: 9,9 ↘ 4: 9,5 ← 5: 10,5* ↗ 6: 9,7 ↗ 7: 9,9 ↘ 8: 9,9 ↘ 9: 10,1 ↘ 10: 10,2 ↘</p> <table border="1" style="width:100%; border-collapse: collapse;"> <tr><td>Serie</td><td style="text-align: right;">93,0</td></tr> <tr><td>Totalt</td><td style="text-align: right;">0,0</td></tr> </table>	Serie	93,0	Totalt	0,0	<p>Sight (p)</p> 	<p>11: 10,0 ↘ 12: 9,3 → 13: 9,7 ↑ 14: 9,5 ↗ 15: 9,7 ↘ 16: 10,4* ←</p> <table border="1" style="width:100%; border-collapse: collapse;"> <tr><td>Serie</td><td style="text-align: right;">56,0</td></tr> <tr><td>Totalt</td><td style="text-align: right;">0,0</td></tr> </table>	Serie	56,0	Totalt	0,0
Serie	93,0										
Totalt	0,0										
Serie	56,0										
Totalt	0,0										

<p>Prone</p> 	<p>1: 10,2 → 2: 9,4 ↘ 3: 9,9 ↘ 4: 9,7 ↘ 5: 9,7 ↘ 6: 10,3* ↗ 7: 10,0 → 8: 10,7* ↗ 9: 10,5* → 10: 10,6* ↘</p> <table border="1" style="width:100%; border-collapse: collapse;"> <tr><td>Serie</td><td style="text-align: right;">96,0</td></tr> <tr><td>Totalt</td><td style="text-align: right;">96,0</td></tr> </table>	Serie	96,0	Totalt	96,0	<p>Prone</p> 	<p>11: 10,3* ↑ 12: 9,9 ↑ 13: 9,3 ↑ 14: 9,9 ↘ 15: 9,8 ↗ 16: 9,1 ↗ 17: 10,3 ↑ 18: 10,3 ↑ 19: 10,6* ↘ 20: 10,3* →</p> <table border="1" style="width:100%; border-collapse: collapse;"> <tr><td>Serie</td><td style="text-align: right;">95,0</td></tr> <tr><td>Totalt</td><td style="text-align: right;">191,0</td></tr> </table>	Serie	95,0	Totalt	191,0
Serie	96,0										
Totalt	96,0										
Serie	95,0										
Totalt	191,0										

<p>Prone</p> 	<p>21: 10,3 ↘ 22: 10,2 ↘ 23: 9,7 → 24: 10,5* ↗ 25: 10,2 → 26: 9,8 → 27: 10,3 ↑ 28: 9,8 → 29: 10,6* ↘ 30: 9,4 →</p> <table border="1" style="width:100%; border-collapse: collapse;"> <tr><td>Serie</td><td style="text-align: right;">96,0</td></tr> <tr><td>Totalt</td><td style="text-align: right;">287,0</td></tr> </table>	Serie	96,0	Totalt	287,0		
Serie	96,0						
Totalt	287,0						