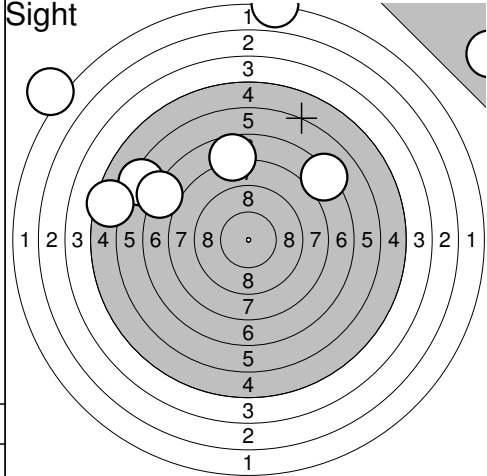
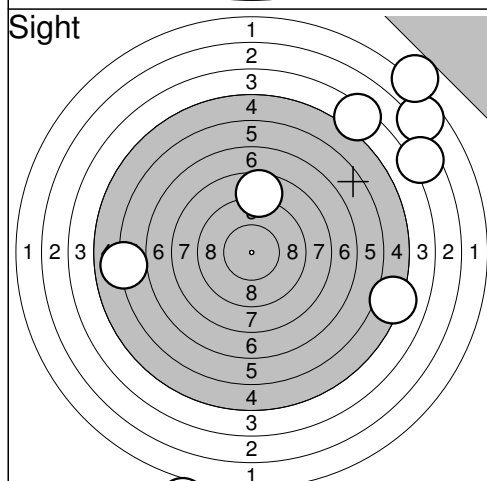


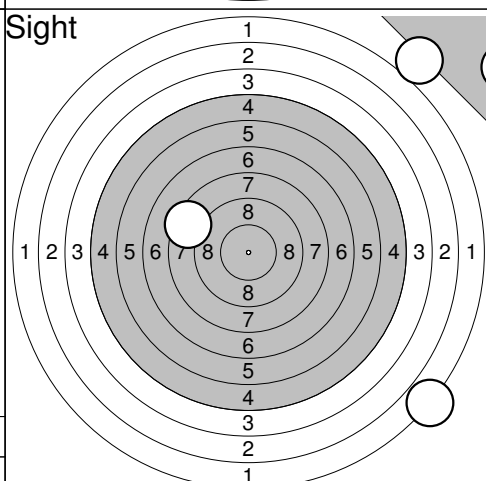
1:	7,5	←
2:	0,0	←
3:	1,5	→
4:	0,0	←
5:	4,6	↓
6:	6,5	↗
7:	5,6	↗
8:	7,4	↗
9:	6,7	←
10:	2,1	↓
<b>Serie</b>	<b>41,9</b>	
<b>Totalt</b>	<b>0,0</b>	



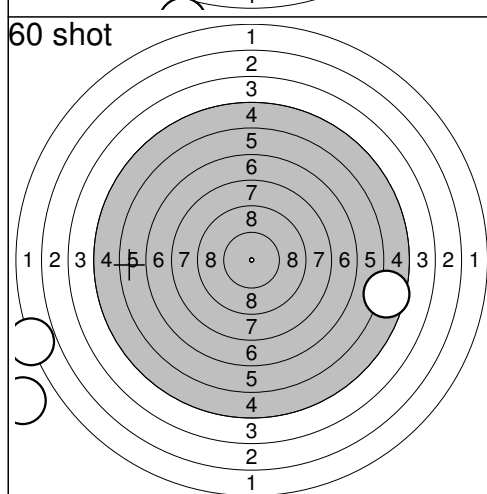
11:	6,3	↖
12:	0,0	→
13:	0,0	↗
14:	0,0	↗
15:	1,4	↖
16:	1,8	↑
17:	7,1	↖
18:	7,2	↗
19:	5,5	←
20:	7,7	↑
<b>Serie</b>	<b>37,0</b>	
<b>Totalt</b>	<b>0,0</b>	



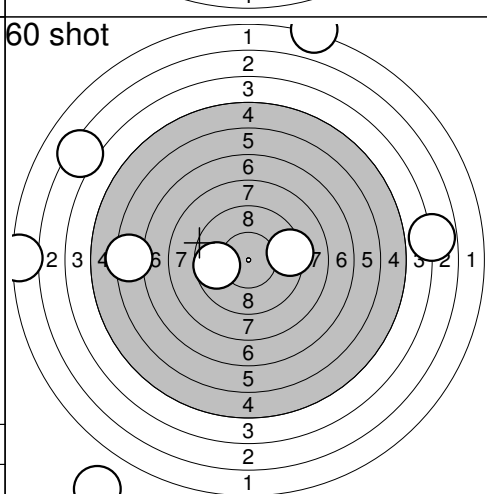
21:	1,0	↓
22:	4,3	↗
23:	6,0	←
24:	2,7	↗
25:	5,2	→
26:	3,5	↗
27:	0,0	↗
28:	1,8	↗
29:	8,7	↑
30:	0,0	↗
<b>Serie</b>	<b>33,2</b>	
<b>Totalt</b>	<b>0,0</b>	



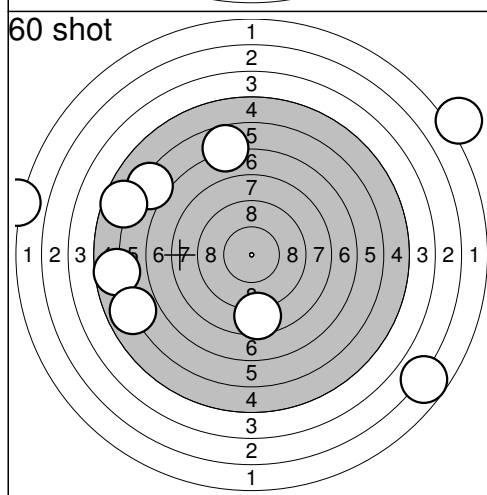
31:	1,9	↘
32:	0,0	↗
33:	0,0	↗
34:	0,0	↗
35:	1,0	↗
36:	0,0	→
37:	8,4	↖
<b>Serie</b>	<b>11,3</b>	
<b>Totalt</b>	<b>0,0</b>	



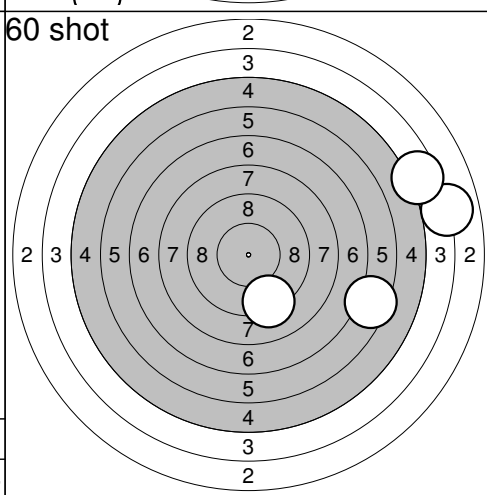
1:	0,0	↖
2:	0,0	↑
3:	0,0	→
4:	0,0	↓
5:	0,0	←
6:	0,0	←
7:	0,0	←
8:	5,6	→
9:	0,0	←
10:	1,9	←
<b>Serie</b>	<b>7,5</b>	
<b>Totalt</b>	<b>7,5</b>	



11:	6,4	←
12:	2,1	←
13:	3,8	→
14:	1,7	↑
15:	3,3	↖
16:	0,0	→
17:	9,3	→
18:	0,0	←
19:	9,7	←
20:	0,0	↓
<b>Serie</b>	<b>36,3</b>	
<b>Totalt</b>	<b>43,8</b>	



21:	1,7	←
22:	6,2	↗
23:	1,4	↗
24:	5,7	←
25:	6,7	↗
26:	2,7	↘
27:	5,9	←
28:	5,7	↖
29:	0,0	←
30:	8,6	↓
<b>Serie</b>	<b>44,6</b>	
<b>Totalt</b>	<b>88,4</b>	



31:	9,2	↘
32:	6,4	→
33:	0,0	→
34:	4,0	→
35:	4,6	↗
36:	0,0	↖
<b>Serie</b>	<b>24,2</b>	
<b>Totalt</b>	<b>112,6</b>	

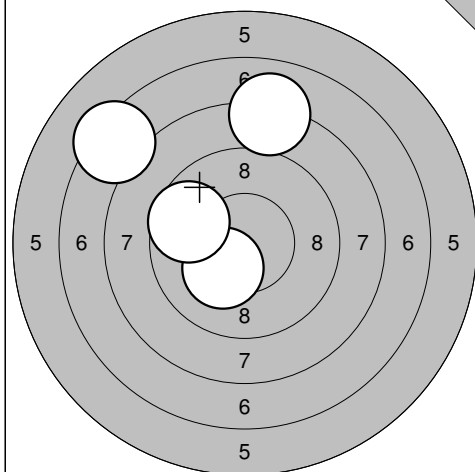
Umeå

2011-04-09

UME-Kulan 2011

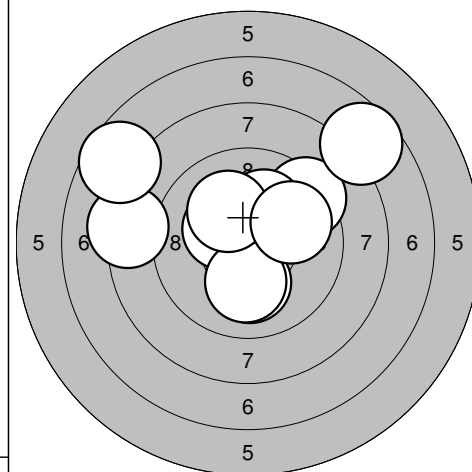
Umeå skytteallians

Sight



1: 8,1 ↑  
 2: 7,3 ↖  
 3: 10,2\* ↙  
 4: 9,6 ↖

60 shot



1: 8,3 ←  
 2: 7,6 ↖  
 3: 10,3\* ↙  
 4: 9,3 ↗  
 5: 10,1 ↑  
 6: 7,6 ↗  
 7: 10,1 ↓  
 8: 10,1 ↓  
 9: 10,1 ↖  
 10: 9,9 ↗

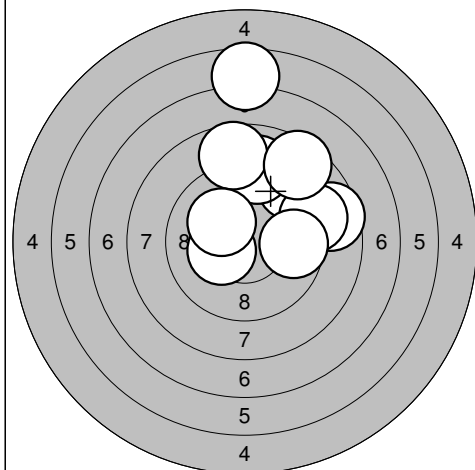
Serie 35,2

Totalt 0,0

Serie 93,4

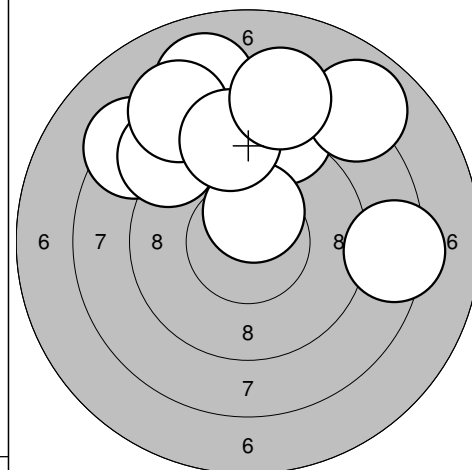
Totalt 93,4

60 shot



11: 9,0 ↗  
 12: 8,6 →  
 13: 9,0 ↑  
 14: 9,0 →  
 15: 10,3\* ←  
 16: 9,7 →  
 17: 8,7 ↑  
 18: 10,2\* ↖  
 19: 8,5 ↗  
 20: 6,6 ↑

60 shot



21: 8,4 ↖  
 22: 8,9 ↖  
 23: 8,1 ↑  
 24: 9,0 ↑  
 25: 8,4 ↖  
 26: 7,9 ↗  
 27: 10,4\* ↑  
 28: 9,1 ↑  
 29: 8,4 →  
 30: 8,4 ↑

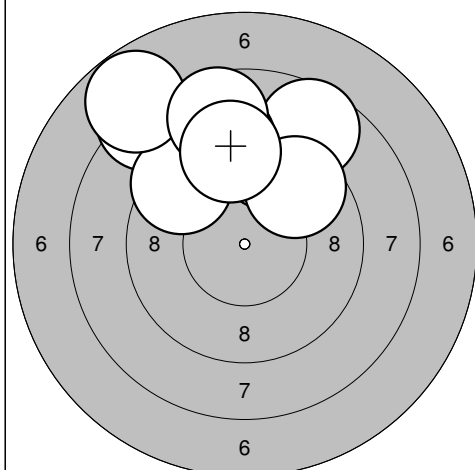
Serie 89,6

Totalt 183,0

Serie 87,0

Totalt 270,0

60 shot



31: 9,4 ↑  
 32: 8,2 ↖  
 33: 9,3 ↗  
 34: 8,6 ↗  
 35: 9,1 ↑  
 36: 9,6 ↗  
 37: 9,4 ↖  
 38: 7,8 ↖  
 39: 8,7 ↑  
 40: 9,3 ↑

Serie 89,4

Totalt 359,4

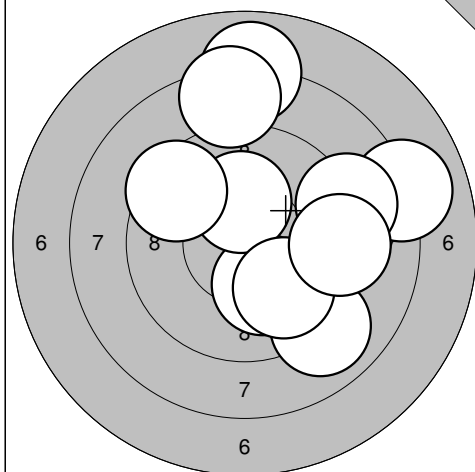
Rundvik

2011-04-09

UME-Kulan 2011

Umeå skytteallians

Sight

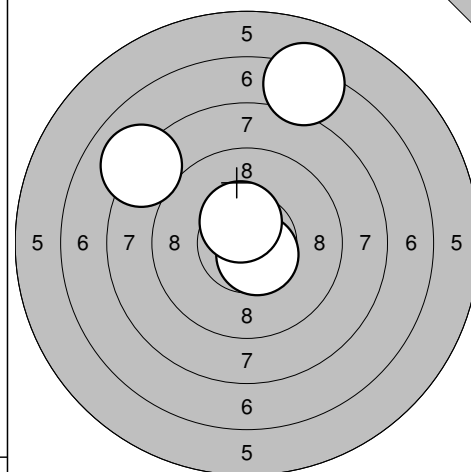


1: 10,1 ↘  
 2: 7,9 ↑  
 3: 8,4 ↑  
 4: 9,0 ↘  
 5: 10,2\* ↑  
 6: 8,0 →  
 7: 9,9 ↘  
 8: 9,4 ↗  
 9: 9,0 →  
 10: 9,3 →

Serie 88,0

Totalt 0,0

Sight

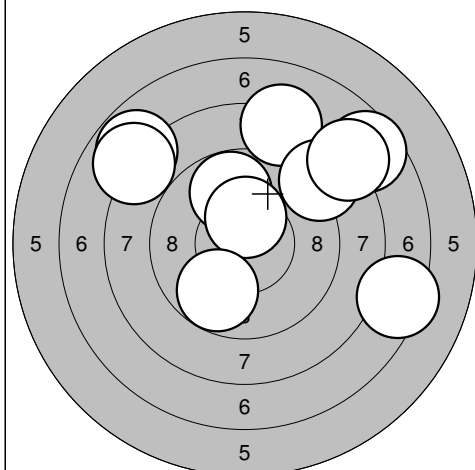


11: 8,1 ↖  
 12: 10,6\* ↘  
 13: 7,2 ↑  
 14: 10,5\* ↑

Serie 35,0

Totalt 0,0

60 shot

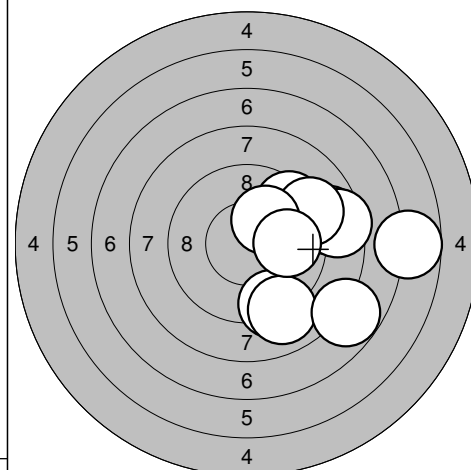


1: 9,8 ↑  
 2: 10,4\* ↑  
 3: 8,2 ↑  
 4: 7,4 →  
 5: 7,8 ↖  
 6: 8,8 ↗  
 7: 7,6 ↗  
 8: 8,0 ↖  
 9: 8,0 ↗  
 10: 9,8 ↘

Serie 81,0

Totalt 81,0

60 shot

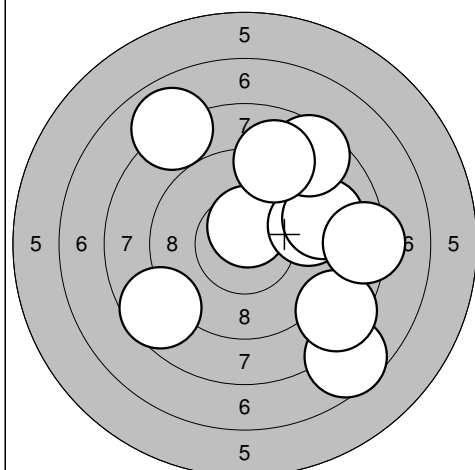


11: 6,7 →  
 12: 8,7 →  
 13: 8,5 →  
 14: 9,2 ↘  
 15: 9,5 ↗  
 16: 9,0 ↘  
 17: 9,1 ↗  
 18: 10,2\* ↗  
 19: 9,9 →  
 20: 7,8 ↘

Serie 84,0

Totalt 165,0

60 shot

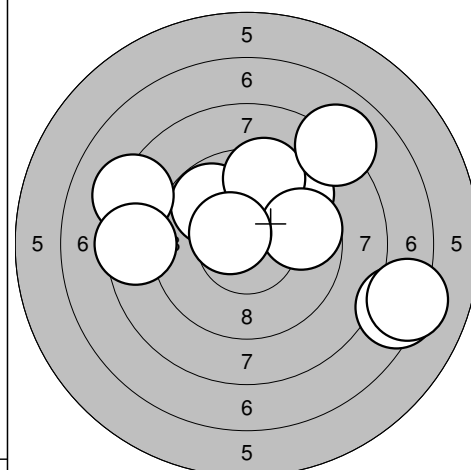


21: 10,6\* ↑  
 22: 8,0 ↖  
 23: 9,5 →  
 24: 9,1 →  
 25: 8,5 ↗  
 26: 9,0 ↑  
 27: 8,6 ↖  
 28: 7,6 ↘  
 29: 8,5 ↘  
 30: 8,3 →

Serie 84,0

Totalt 249,0

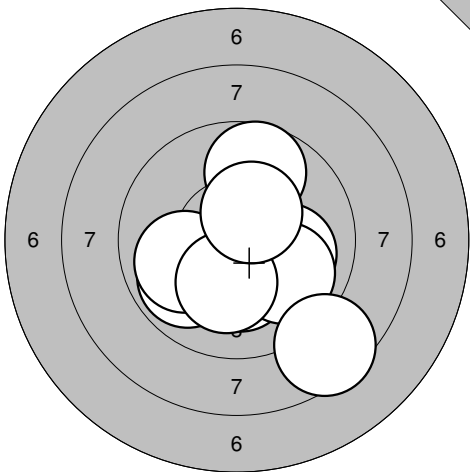
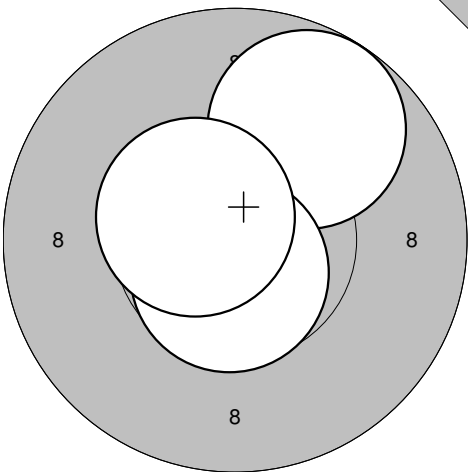
60 shot

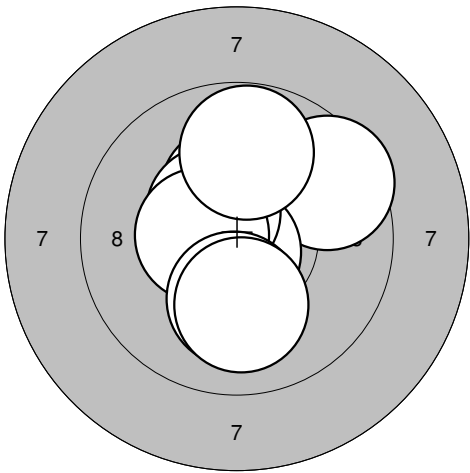
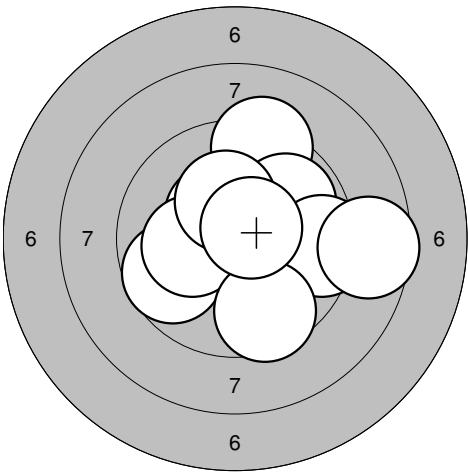


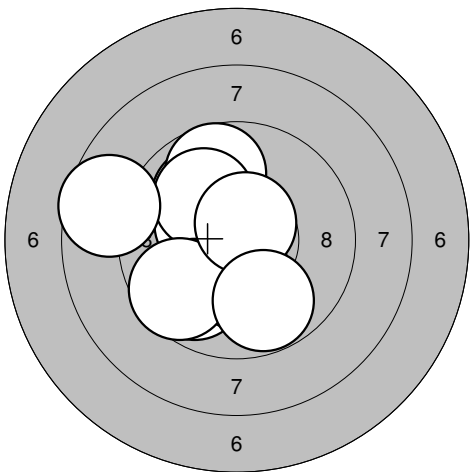
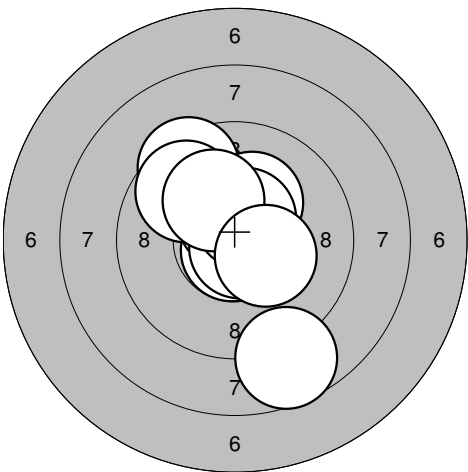
31: 9,5 ↗  
 32: 9,8 ↖  
 33: 9,5 ↑  
 34: 9,7 →  
 35: 8,0 ↗  
 36: 8,2 ↖  
 37: 7,4 ↘  
 38: 10,5\* ↖  
 39: 7,2 →  
 40: 8,5 ←

Serie 84,0

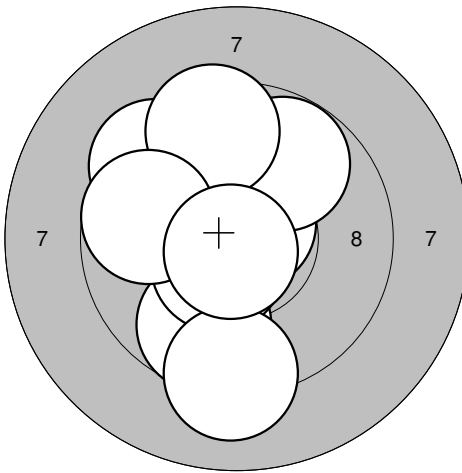
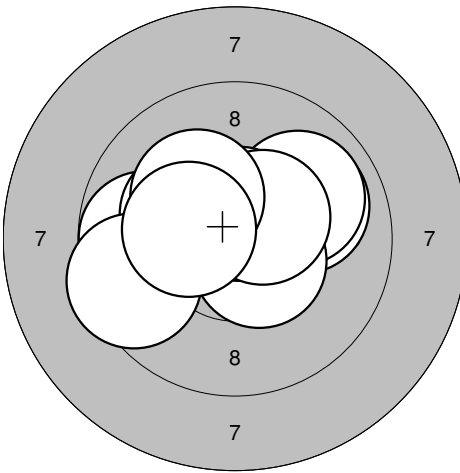
Totalt 333,0

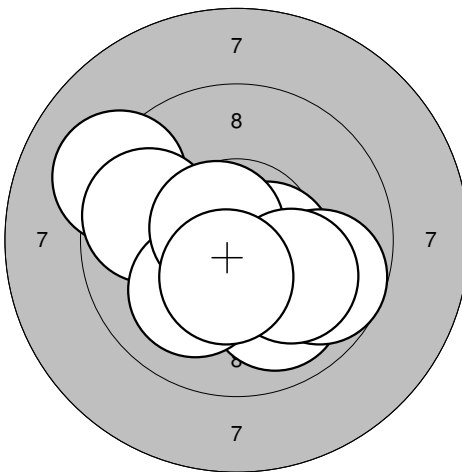
<p>Sight</p> 	<p>1: 9,7 ↗ 2: 10,0 → 3: 10,2* ↓ 4: 10,4* ↓ 5: 9,9 → 6: 9,9 ← 7: 10,0 ← 8: 10,2* ↓ 9: 10,4* ↗ 10: 8,5 ↓</p> <table border="1" style="width:100%; border-collapse: collapse;"> <tr><td>Serie</td><td style="text-align: right;">95,0</td></tr> <tr><td>Totalt</td><td style="text-align: right;">0,0</td></tr> </table>	Serie	95,0	Totalt	0,0	<p>Sight</p> 	<p>11: 9,8 ↗ 12: 10,7* ↓ 13: 10,5* ↖</p> <table border="1" style="width:100%; border-collapse: collapse;"> <tr><td>Serie</td><td style="text-align: right;">29,0</td></tr> <tr><td>Totalt</td><td style="text-align: right;">0,0</td></tr> </table>	Serie	29,0	Totalt	0,0
Serie	95,0										
Totalt	0,0										
Serie	29,0										
Totalt	0,0										

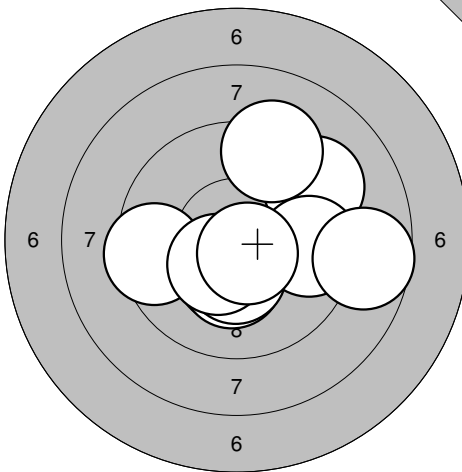
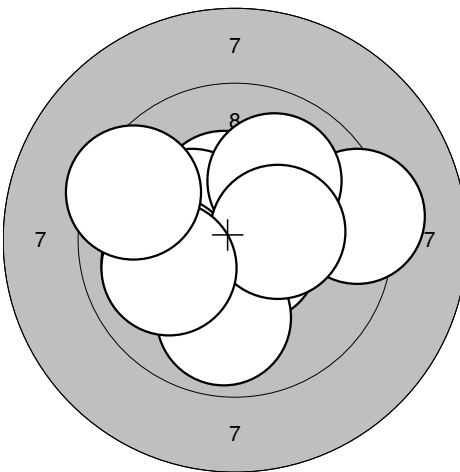
<p>60 shot</p> 	<p>1: 10,3* ↗ 2: 9,5 → 3: 10,6* ← 4: 10,8* ← 5: 10,8* ↓ 6: 10,5* ↗ 7: 10,5* ← 8: 10,1 ↓ 9: 9,8 ↗ 10: 10,1 ↓</p> <table border="1" style="width:100%; border-collapse: collapse;"> <tr><td>Serie</td><td style="text-align: right;">98,0</td></tr> <tr><td>Totalt</td><td style="text-align: right;">98,0</td></tr> </table>	Serie	98,0	Totalt	98,0	<p>60 shot</p> 	<p>11: 9,7 ↖ 12: 10,4* ↖ 13: 9,3 ↗ 14: 9,9 ↗ 15: 9,4 → 16: 8,6 → 17: 10,2* ← 18: 10,3* ↗ 19: 9,6 ↓ 20: 10,6* ↗</p> <table border="1" style="width:100%; border-collapse: collapse;"> <tr><td>Serie</td><td style="text-align: right;">93,0</td></tr> <tr><td>Totalt</td><td style="text-align: right;">191,0</td></tr> </table>	Serie	93,0	Totalt	191,0
Serie	98,0										
Totalt	98,0										
Serie	93,0										
Totalt	191,0										

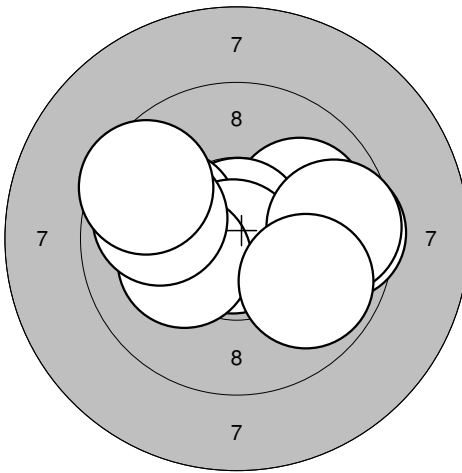
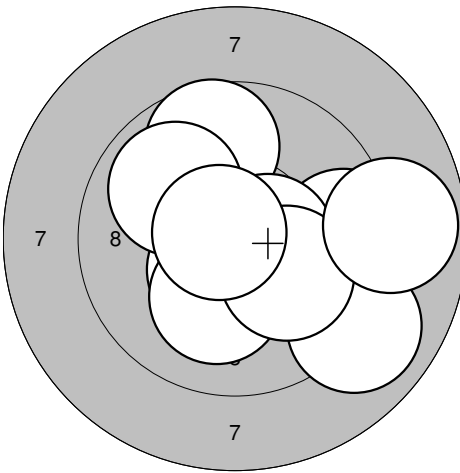
<p>60 shot</p> 	<p>21: 10,0 ↗ 22: 10,3* ↗ 23: 9,7 ↗ 24: 10,0 ↗ 25: 9,8 ↓ 26: 10,2* ↓ 27: 9,6 ↓ 28: 8,6 ← 29: 10,6* ↗ 30: 9,8 ↓</p> <table border="1" style="width:100%; border-collapse: collapse;"> <tr><td>Serie</td><td style="text-align: right;">94,0</td></tr> <tr><td>Totalt</td><td style="text-align: right;">285,0</td></tr> </table>	Serie	94,0	Totalt	285,0	<p>60 shot</p> 	<p>31: 9,4 ↗ 32: 10,7* ↓ 33: 10,6* ↗ 34: 10,2* ↗ 35: 10,8* ↓ 36: 8,7 ↓ 37: 10,5* ↗ 38: 9,7 ↖ 39: 10,2* ↗ 40: 10,3* ↘</p> <table border="1" style="width:100%; border-collapse: collapse;"> <tr><td>Serie</td><td style="text-align: right;">96,0</td></tr> <tr><td>Totalt</td><td style="text-align: right;">381,0</td></tr> </table>	Serie	96,0	Totalt	381,0
Serie	94,0										
Totalt	285,0										
Serie	96,0										
Totalt	381,0										

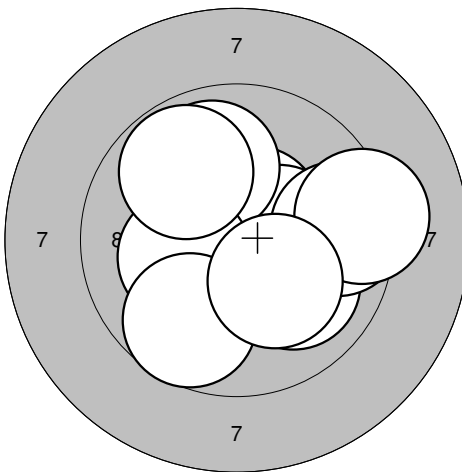
Sight 	60 shot 1: 10,1 ↖ 2: 9,6 ↘ 3: 10,5* ↖ 4: 10,4* ↘ 5: 10,4* ↗ 6: 9,7 ↘ 7: 9,8 ↗ 8: 9,4 → 9: 10,5* ↗ <hr/> Serie 86,0 Totalt 0,0	60 shot 	1: 10,2* ↗ 2: 9,3 ↗ 3: 10,3* ↖ 4: 10,6* → 5: 10,0 → 6: 10,3* ↘ 7: 10,1 ↘ 8: 10,6* → 9: 10,7* → 10: 10,5* ↖ <hr/> Serie 99,0 Totalt 99,0
---	--	---	--

60 shot 	60 shot 11: 9,5 ↖ 12: 10,5* ↗ 13: 10,7* ↗ 14: 9,7 ↘ 15: 9,8 ↗ 16: 10,5* ↘ 17: 9,5 ↗ 18: 9,7 ↖ 19: 9,1 ↘ 20: 10,8* ↘ <hr/> Serie 94,0 Totalt 193,0	60 shot 	21: 10,0 ↗ 22: 9,8 ↖ 23: 10,0 ↗ 24: 10,2* ↖ 25: 10,5* ↘ 26: 10,6* ↗ 27: 9,5 ↖ 28: 10,5* ↗ 29: 10,2* ↖ 30: 10,3* ↖ <hr/> Serie 98,0 Totalt 291,0
--	---	--	--

60 shot 	31: 10,0 ↘ 32: 9,2 ↗ 33: 10,5* → 34: 9,7 ↖ 35: 10,2* ↘ 36: 9,7 ↘ 37: 10,1 ↘ 38: 10,6* ↗ 39: 10,1 ↘ 40: 10,4* ↘ <hr/> Serie 97,0 Totalt 388,0		
---	---	--	--

Sight 	60 shot 	
	1: 10,4* ↓ 2: 9,3 ↗ 3: 9,3 ↗ 4: 10,3* ↓ 5: 10,4* ↓ 6: 9,7 → 7: 8,7 → 8: 9,5 ← 9: 10,4* ↙ 10: 10,6* ↘ Serie 94,0 Totalt 0,0	1: 10,4* ↑ 2: 9,3 → 3: 10,6* ↘ 4: 10,3* ↖ 5: 9,9 ↓ 6: 10,0 ↗ 7: 10,0 ← 8: 10,4* → 9: 10,0 ← 10: 9,5 ↖ Serie 97,0 Totalt 97,0

60 shot 	60 shot 	
	11: 10,0 ↗ 12: 10,8* ↑ 13: 10,0 ← 14: 10,8* ↓ 15: 10,2* ← 16: 9,9 ← 17: 9,6 → 18: 9,6 → 19: 9,6 ↗ 20: 9,9 ↘ Serie 95,0 Totalt 192,0	21: 9,7 ↑ 22: 10,4* ↘ 23: 9,5 → 24: 9,0 ↘ 25: 10,5* → 26: 10,1 ↓ 27: 10,1 ↘ 28: 9,9 ↗ 29: 10,7* ↖ 30: 8,9 → Serie 94,0 Totalt 286,0

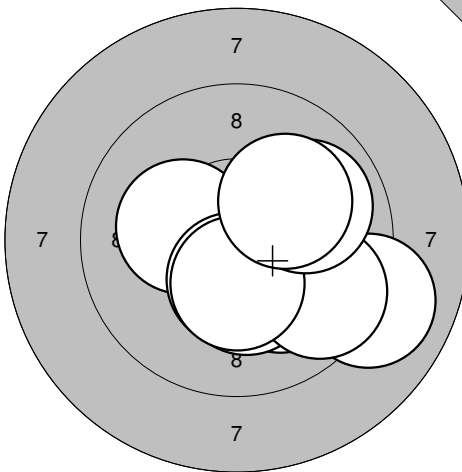
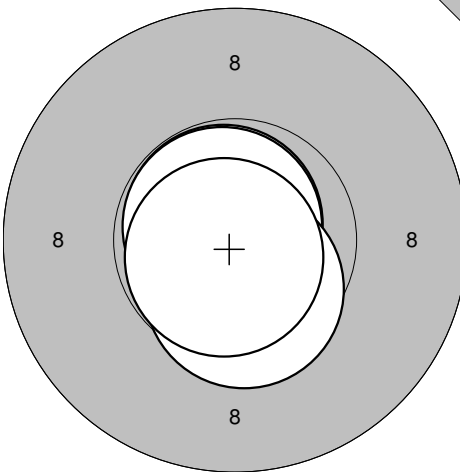
60 shot 	31: 10,5* ↗ 32: 10,0 ↘ 33: 10,4* → 34: 9,9 ↑ 35: 10,2* ← 36: 9,6 → 37: 9,8 ↗ 38: 9,7 ↓ 39: 9,2 → 40: 10,2* ↘ Serie 95,0 Totalt 381,0	
---	---	--

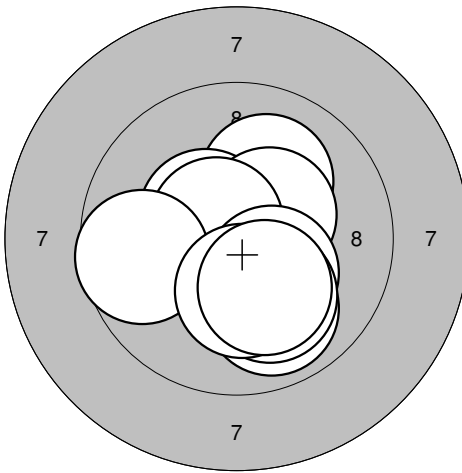
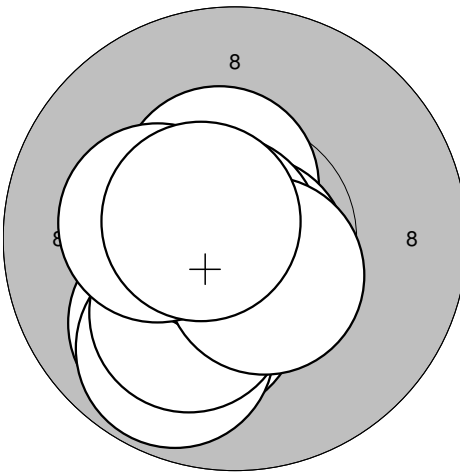
Ramselefors

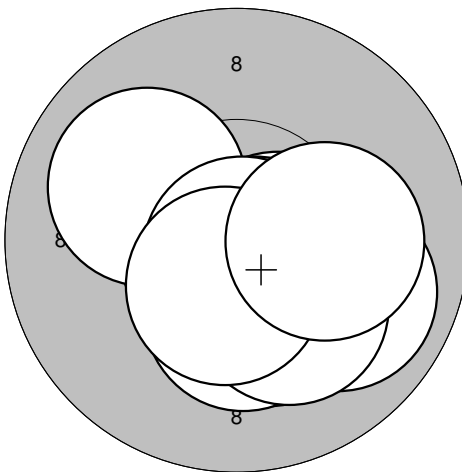
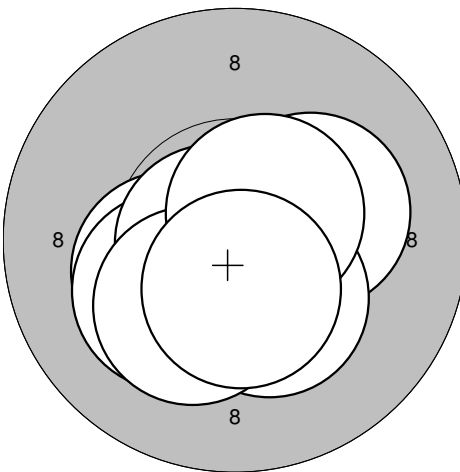
2011-04-09

UME-Kulan 2011

Umeå skytteallians

<p>Sight</p> 	<p>1: 10,1 ↘                  2: 9,0 ↘                  3: 10,3* ↘                  4: 10,5* →                  5: 10,2* ←                  6: 10,4* ↘                  7: 9,6 ↘                  8: 10,4* ↘                  9: 9,9 →                  10: 10,1 ↗</p> <p>Serie 97,0                  Totalt 0,0</p>	<p>Sight</p> 	<p>11: 10,8* ↗                  12: 10,8* ↗                  13: 10,5* ↘                  14: 10,8* ↘</p> <p>Serie 40,0                  Totalt 0,0</p>
---	--	---	---

<p>60 shot</p> 	<p>1: 10,1 ↗                  2: 10,4* ↗                  3: 10,4* ↗                  4: 10,6* ↗                  5: 9,9 ↘                  6: 10,3* ↘                  7: 10,1 ↘                  8: 9,7 ←                  9: 10,2* ↘                  10: 10,2* ↘</p> <p>Serie 98,0                  Totalt 98,0</p>	<p>60 shot</p> 	<p>11: 10,0 ↘                  12: 10,2* ↘                  13: 10,5* ↗                  14: 9,8 ↘                  15: 10,2* ↘                  16: 10,8* ↘                  17: 10,8* ←                  18: 10,5* ↘                  19: 10,2* ←                  20: 10,6* ↗</p> <p>Serie 99,0                  Totalt 197,0</p>
--	---	--	--

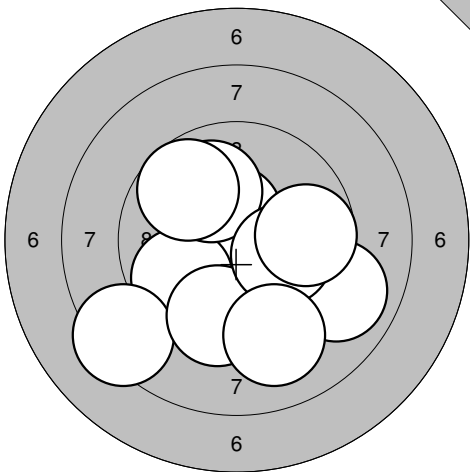
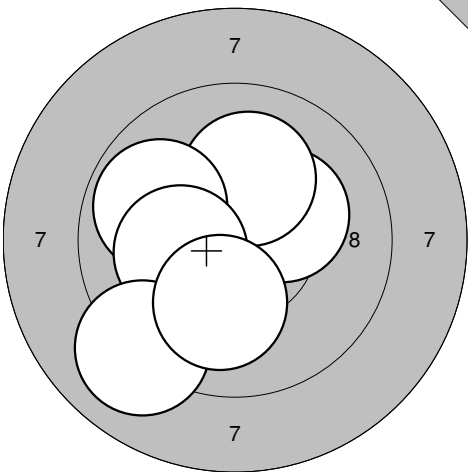
<p>60 shot</p> 	<p>21: 10,6* →                  22: 10,3* ↘                  23: 10,7* ↘                  24: 10,0 ↗                  25: 10,3* ↘                  26: 9,9 ↘                  27: 10,2* ↘                  28: 10,8* ↘                  29: 10,5* ↘                  30: 10,1 →</p> <p>Serie 99,0                  Totalt 296,0</p>	<p>60 shot</p> 	<p>31: 10,2* →                  32: 10,3* ←                  33: 10,9* →                  34: 10,3* ↘                  35: 10,3* ↘                  36: 10,2* ←                  37: 10,8* ←                  38: 10,2* ↘                  39: 10,6* ↗                  40: 10,5* ↘</p> <p>Serie 100,0                  Totalt 396,0</p>
---	---	---	--

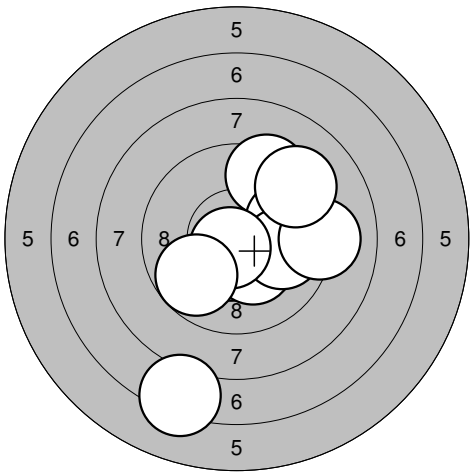
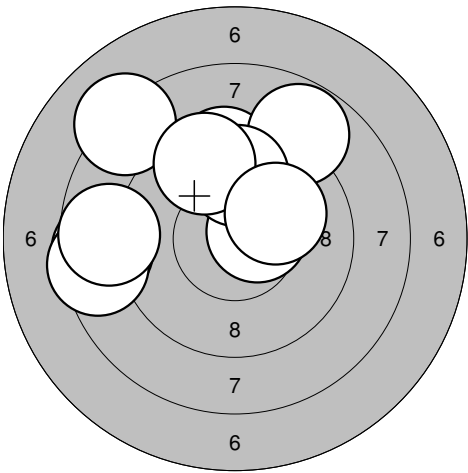
Kyrkås

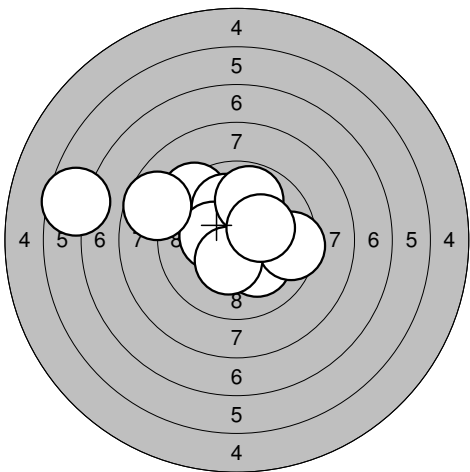
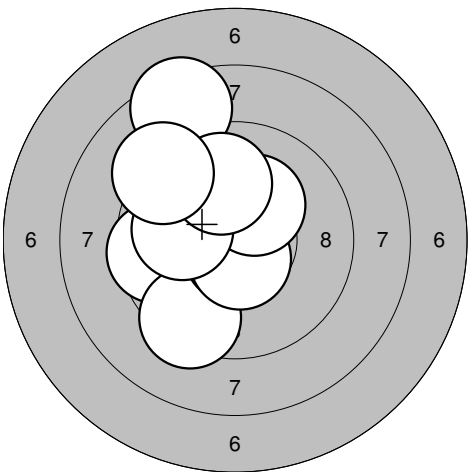
2011-04-09

UME-Kulan 2011

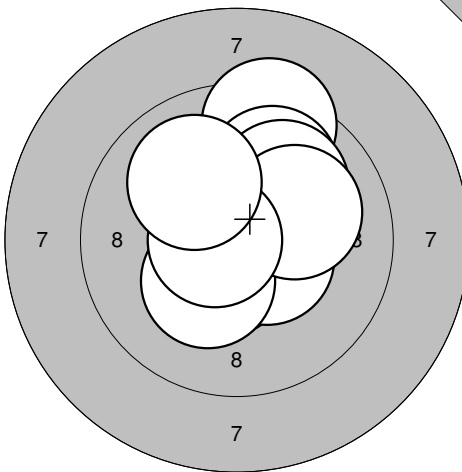
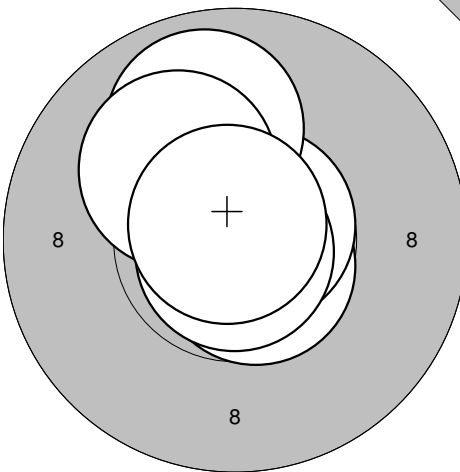
Umeå skytteallians

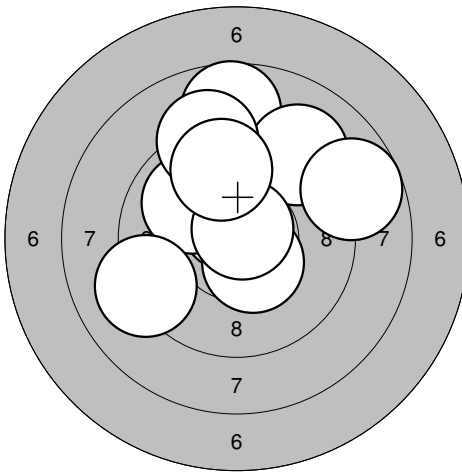
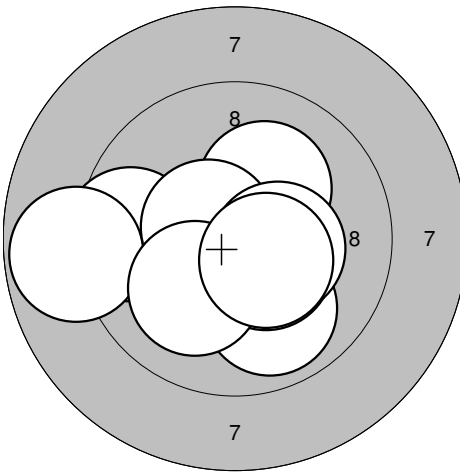
<p style="margin:0;">Sight</p> 	<p style="margin:0;">1: 10,5* ↗</p> <p style="margin:0;">2: 9,8 ↖</p> <p style="margin:0;">3: 9,0 →</p> <p style="margin:0;">4: 8,3 ↖</p> <p style="margin:0;">5: 10,0 ↗</p> <p style="margin:0;">6: 9,7 ↗</p> <p style="margin:0;">7: 9,6 ↓</p> <p style="margin:0;">8: 10,1 →</p> <p style="margin:0;">9: 9,7 →</p> <p style="margin:0;">10: 9,1 ↓</p> <table border="1" style="width:100%; border-collapse: collapse; margin-top: 5px;"> <tr> <td style="width:60%;">Serie</td> <td style="text-align: right;">92,0</td> </tr> <tr> <td>Totalt</td> <td style="text-align: right;">0,0</td> </tr> </table>	Serie	92,0	Totalt	0,0	<p style="margin:0;">Sight</p> 	<p style="margin:0;">11: 10,2* →</p> <p style="margin:0;">12: 10,1 ↑</p> <p style="margin:0;">13: 9,9 ↖</p> <p style="margin:0;">14: 10,2* ←</p> <p style="margin:0;">15: 9,1 ↖</p> <p style="margin:0;">16: 10,1 ↓</p> <table border="1" style="width:100%; border-collapse: collapse; margin-top: 5px;"> <tr> <td style="width:60%;">Serie</td> <td style="text-align: right;">58,0</td> </tr> <tr> <td>Totalt</td> <td style="text-align: right;">0,0</td> </tr> </table>	Serie	58,0	Totalt	0,0
Serie	92,0										
Totalt	0,0										
Serie	58,0										
Totalt	0,0										

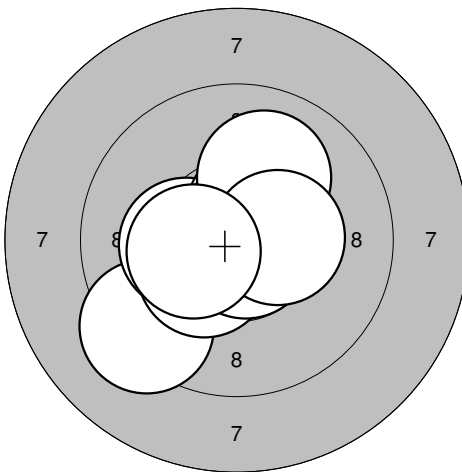
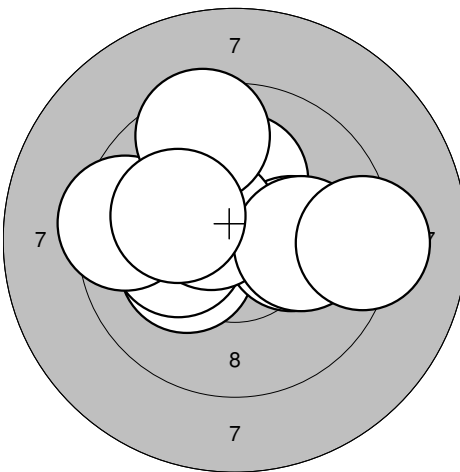
<p style="margin:0;">60 shot</p> 	<p style="margin:0;">1: 10,5* ↓</p> <p style="margin:0;">2: 10,3* ↓</p> <p style="margin:0;">3: 9,4 ↗</p> <p style="margin:0;">4: 9,8 →</p> <p style="margin:0;">5: 9,9 →</p> <p style="margin:0;">6: 9,1 →</p> <p style="margin:0;">7: 7,3 ↓</p> <p style="margin:0;">8: 9,2 ↗</p> <p style="margin:0;">9: 10,7* ↖</p> <p style="margin:0;">10: 9,8 ↖</p> <table border="1" style="width:100%; border-collapse: collapse; margin-top: 5px;"> <tr> <td style="width:60%;">Serie</td> <td style="text-align: right;">91,0</td> </tr> <tr> <td>Totalt</td> <td style="text-align: right;">91,0</td> </tr> </table>	Serie	91,0	Totalt	91,0	<p style="margin:0;">60 shot</p> 	<p style="margin:0;">11: 10,5* →</p> <p style="margin:0;">12: 9,5 ↑</p> <p style="margin:0;">13: 8,8 ↗</p> <p style="margin:0;">14: 8,6 ←</p> <p style="margin:0;">15: 9,8 ↑</p> <p style="margin:0;">16: 8,2 ↖</p> <p style="margin:0;">17: 8,5 ←</p> <p style="margin:0;">18: 9,5 ↑</p> <p style="margin:0;">19: 8,7 ←</p> <p style="margin:0;">20: 10,1 →</p> <table border="1" style="width:100%; border-collapse: collapse; margin-top: 5px;"> <tr> <td style="width:60%;">Serie</td> <td style="text-align: right;">87,0</td> </tr> <tr> <td>Totalt</td> <td style="text-align: right;">178,0</td> </tr> </table>	Serie	87,0	Totalt	178,0
Serie	91,0										
Totalt	91,0										
Serie	87,0										
Totalt	178,0										

<p style="margin:0;">60 shot</p> 	<p style="margin:0;">21: 9,4 ↗</p> <p style="margin:0;">22: 10,1 ↓</p> <p style="margin:0;">23: 9,5 →</p> <p style="margin:0;">24: 10,1 ↗</p> <p style="margin:0;">25: 10,3* ←</p> <p style="margin:0;">26: 9,9 ↗</p> <p style="margin:0;">27: 10,4* ↓</p> <p style="margin:0;">28: 10,2* →</p> <p style="margin:0;">29: 8,7 ↖</p> <p style="margin:0;">30: 6,6 ←</p> <table border="1" style="width:100%; border-collapse: collapse; margin-top: 5px;"> <tr> <td style="width:60%;">Serie</td> <td style="text-align: right;">91,0</td> </tr> <tr> <td>Totalt</td> <td style="text-align: right;">269,0</td> </tr> </table>	Serie	91,0	Totalt	269,0	<p style="margin:0;">60 shot</p> 	<p style="margin:0;">31: 8,5 ↖</p> <p style="margin:0;">32: 10,1 ←</p> <p style="margin:0;">33: 9,6 ←</p> <p style="margin:0;">34: 9,4 ↖</p> <p style="margin:0;">35: 10,7* ↓</p> <p style="margin:0;">36: 10,6* ↓</p> <p style="margin:0;">37: 10,2* ↗</p> <p style="margin:0;">38: 10,0 ←</p> <p style="margin:0;">39: 9,9 ↑</p> <p style="margin:0;">40: 9,2 ↖</p> <table border="1" style="width:100%; border-collapse: collapse; margin-top: 5px;"> <tr> <td style="width:60%;">Serie</td> <td style="text-align: right;">94,0</td> </tr> <tr> <td>Totalt</td> <td style="text-align: right;">363,0</td> </tr> </table>	Serie	94,0	Totalt	363,0
Serie	91,0										
Totalt	269,0										
Serie	94,0										
Totalt	363,0										



<p>Sight</p> 	<p>1: 9,4 ↗ 2: 9,9 ↗ 3: 10,5* → 4: 10,5* ↓ 5: 10,5* → 6: 10,0 ↗ 7: 10,3* ↓ 8: 10,1 → 9: 10,7* ← 10: 10,0 ↗</p> <table border="1" style="width:100%; border-collapse: collapse;"> <tr><td>Serie</td><td style="text-align: right;">98,0</td></tr> <tr><td>Totalt</td><td style="text-align: right;">0,0</td></tr> </table>	Serie	98,0	Totalt	0,0	<p>Sight</p> 	<p>11: 10,7* ↓ 12: 10,7* ↗ 13: 10,8* ↓ 14: 9,9 ↗ 15: 10,1 ↗ 16: 10,8* ↗</p> <table border="1" style="width:100%; border-collapse: collapse;"> <tr><td>Serie</td><td style="text-align: right;">59,0</td></tr> <tr><td>Totalt</td><td style="text-align: right;">0,0</td></tr> </table>	Serie	59,0	Totalt	0,0
Serie	98,0										
Totalt	0,0										
Serie	59,0										
Totalt	0,0										

<p>60 shot</p> 	<p>1: 10,6* ↗ 2: 10,0 ↗ 3: 8,7 ↗ 4: 10,4* ↓ 5: 9,1 ← 6: 9,1 ↗ 7: 8,7 → 8: 10,8* ↗ 9: 9,2 ↗ 10: 9,7 ↗</p> <table border="1" style="width:100%; border-collapse: collapse;"> <tr><td>Serie</td><td style="text-align: right;">92,0</td></tr> <tr><td>Totalt</td><td style="text-align: right;">92,0</td></tr> </table>	Serie	92,0	Totalt	92,0	<p>60 shot</p> 	<p>11: 9,6 ← 12: 10,6* ↗ 13: 8,8 ← 14: 10,2* ↗ 15: 10,6* ← 16: 9,9 ↓ 17: 10,4* ↓ 18: 10,4* → 19: 10,1 ↓ 20: 10,4* ↓</p> <table border="1" style="width:100%; border-collapse: collapse;"> <tr><td>Serie</td><td style="text-align: right;">96,0</td></tr> <tr><td>Totalt</td><td style="text-align: right;">188,0</td></tr> </table>	Serie	96,0	Totalt	188,0
Serie	92,0										
Totalt	92,0										
Serie	96,0										
Totalt	188,0										

<p>60 shot</p> 	<p>21: 10,7* ↓ 22: 9,3 ↓ 23: 10,3* ← 24: 10,4* ↓ 25: 10,5* ↗ 26: 10,9* ↗ 27: 10,7* ↓ 28: 10,0 ↗ 29: 10,4* → 30: 10,4* ←</p> <table border="1" style="width:100%; border-collapse: collapse;"> <tr><td>Serie</td><td style="text-align: right;">99,0</td></tr> <tr><td>Totalt</td><td style="text-align: right;">287,0</td></tr> </table>	Serie	99,0	Totalt	287,0	<p>60 shot</p> 	<p>31: 10,2* ↖ 32: 10,2* ↗ 33: 10,2* → 34: 10,2* ← 35: 9,5 ← 36: 10,6* ↗ 37: 9,5 ↗ 38: 10,1 → 39: 10,1 ← 40: 9,2 →</p> <table border="1" style="width:100%; border-collapse: collapse;"> <tr><td>Serie</td><td style="text-align: right;">97,0</td></tr> <tr><td>Totalt</td><td style="text-align: right;">384,0</td></tr> </table>	Serie	97,0	Totalt	384,0
Serie	99,0										
Totalt	287,0										
Serie	97,0										
Totalt	384,0										

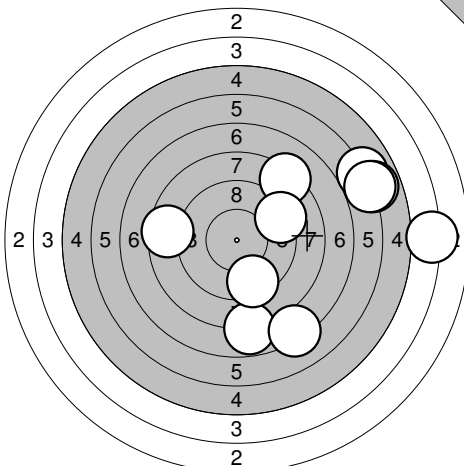
Umeå

2011-04-09

UME-Kulan 2011

Umeå skytteallians

Sight

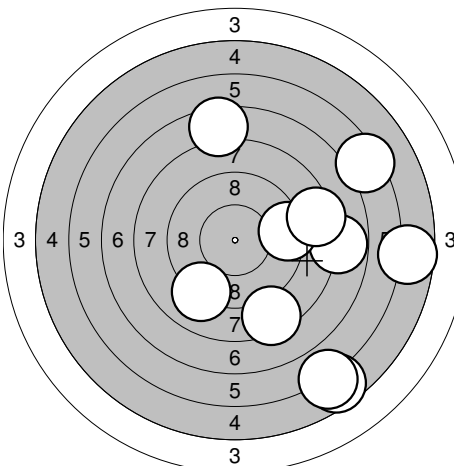


1: 7,8 ↘  
 2: 8,5 ←  
 3: 4,1 →  
 4: 6,0 ↗  
 5: 5,8 →  
 6: 5,9 →  
 7: 9,4 ↘  
 8: 8,2 ↗  
 9: 7,2 ↘  
 10: 9,2 ↗

Serie 68,0

Totalt 0,0

60 shot

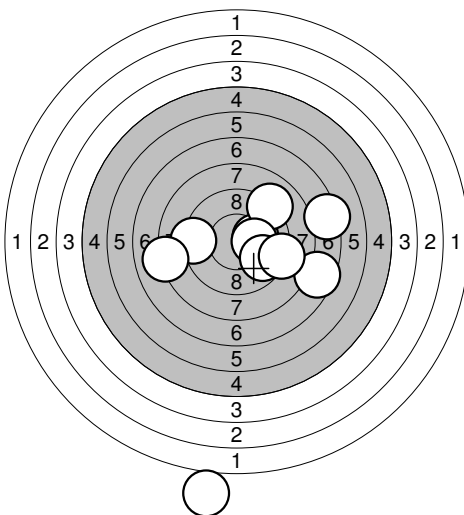


1: 7,5 ↑  
 2: 8,4 ↘  
 3: 5,6 ↘  
 4: 7,8 →  
 5: 9,1 ↘  
 6: 9,3 →  
 7: 5,6 →  
 8: 6,3 ↗  
 9: 8,4 →  
 10: 5,8 ↘

Serie 69,0

Totalt 69,0

60 shot

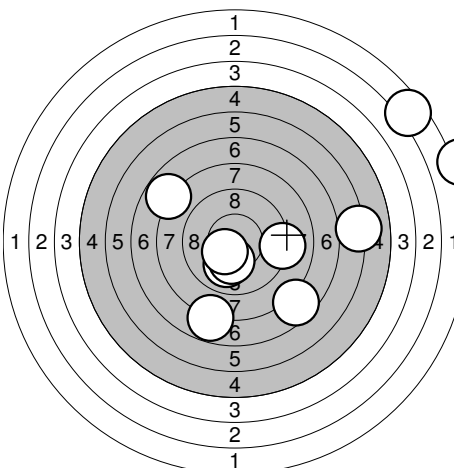


11: 10,2\* →  
 12: 7,3 →  
 13: 9,3 ←  
 14: 9,1 ↗  
 15: 10,2\* →  
 16: 9,7 ↘  
 17: 7,5 →  
 18: 9,1 →  
 19: 8,1 ←  
 20: 1,0 ↘

Serie 79,0

Totalt 148,0

60 shot

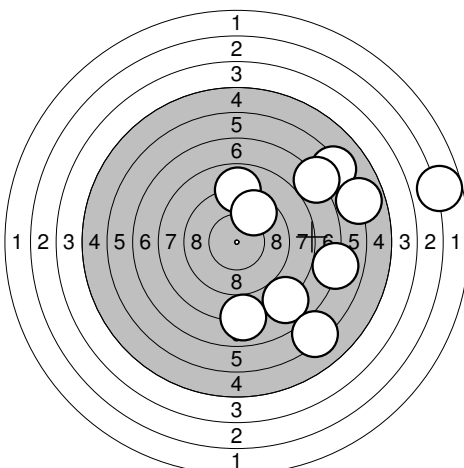


21: 9,1 →  
 22: 7,6 ↘  
 23: 1,6 →  
 24: 10,0 ↘  
 25: 7,8 ↘  
 26: 10,2\* ↘  
 27: 7,8 ↖  
 28: 10,4\* ↖  
 29: 2,5 ↗  
 30: 6,1 →

Serie 69,0

Totalt 217,0

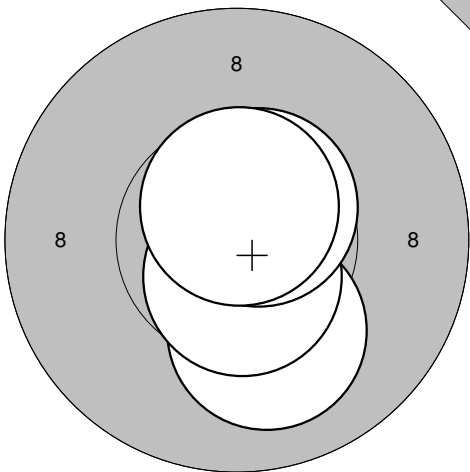
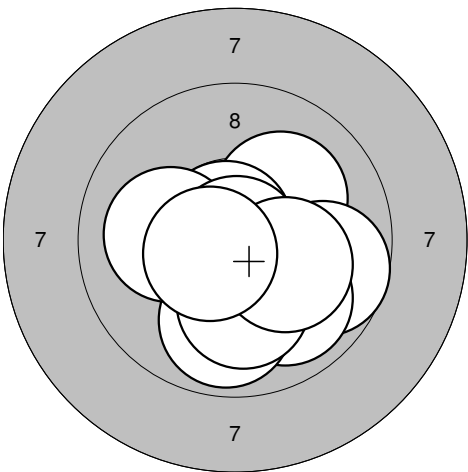
60 shot

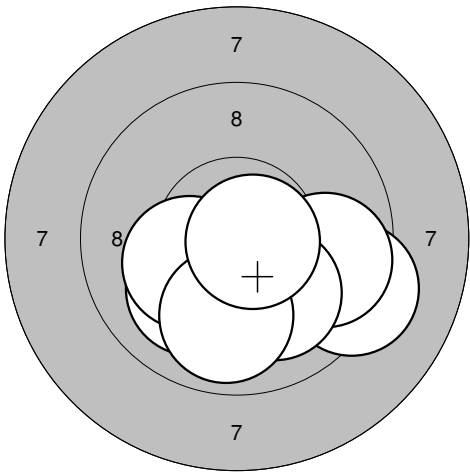
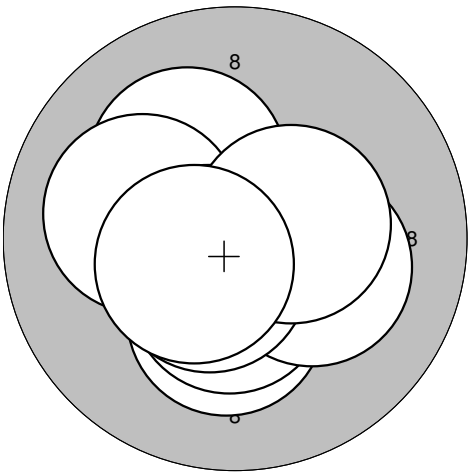


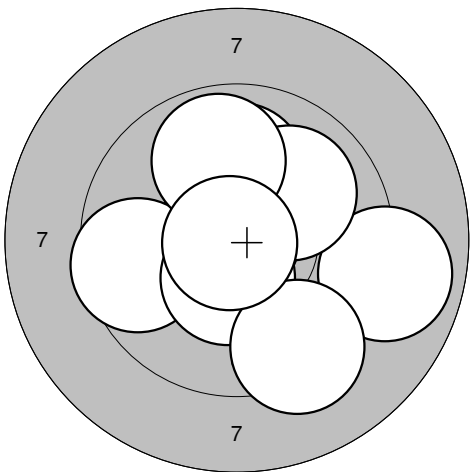
31: 8,0 ↘  
 32: 6,2 ↗  
 33: 7,0 ↗  
 34: 8,0 ↘  
 35: 7,0 →  
 36: 6,2 ↘  
 37: 5,9 →  
 38: 2,7 →  
 39: 8,9 ↑  
 40: 9,6 ↗

Serie 66,0

Totalt 283,0

Sight 	60 shot 	1: 10,1 ↗ 2: 10,6* ↓ 3: 10,6* ↗ 4: 10,6* ↑  1: 10,1 ↗ 2: 9,7 → 3: 9,9 ↓ 4: 9,9 ↓ 5: 10,8* ↗ 6: 10,1 ← 7: 10,9* ↓ 8: 10,1 ↓ 9: 10,2* → 10: 10,6* ↙  Serie 40,0 Totalt 0,0
		Serie 97,0 Totalt 97,0

60 shot 	60 shot 	11: 10,2* ↘ 12: 9,3 → 13: 10,4* ↓ 14: 10,3* ↘ 15: 9,7 → 16: 10,1 ↘ 17: 10,1 ↓ 18: 10,2* ↙ 19: 9,9 ↓ 20: 10,7* →  Serie 97,0 Totalt 194,0
		21: 10,2* ↗ 22: 10,2* ↓ 23: 10,6* ↓ 24: 10,1 ← 25: 10,4* ↓ 26: 10,2* → 27: 10,6* ↙ 28: 10,6* ↙ 29: 10,4* → 30: 10,5* ↙  Serie 100,0 Totalt 294,0

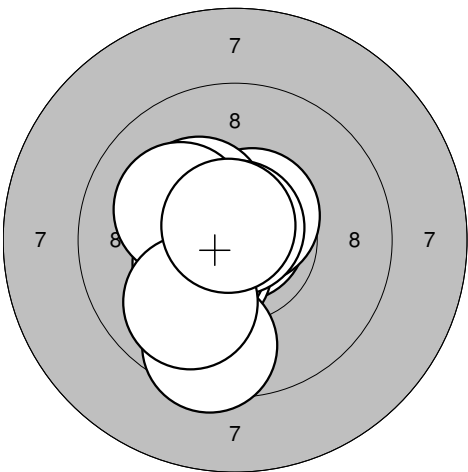
60 shot 	31: 10,0 ↑ 32: 8,9 → 33: 10,5* ↙ 34: 9,6 ← 35: 10,9* ↗ 36: 10,4* ↓ 37: 10,0 ↗ 38: 9,9 ↑ 39: 9,3 ↓ 40: 10,8* ↙  Serie 95,0 Totalt 389,0	
---	--	--

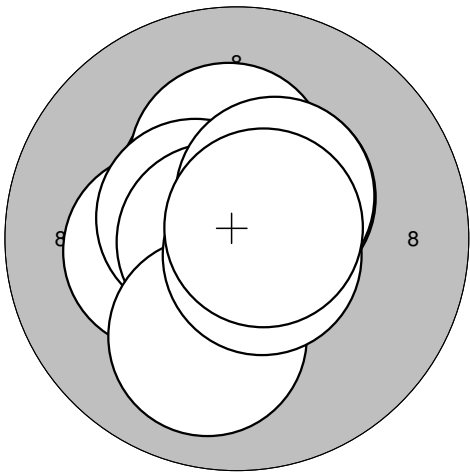
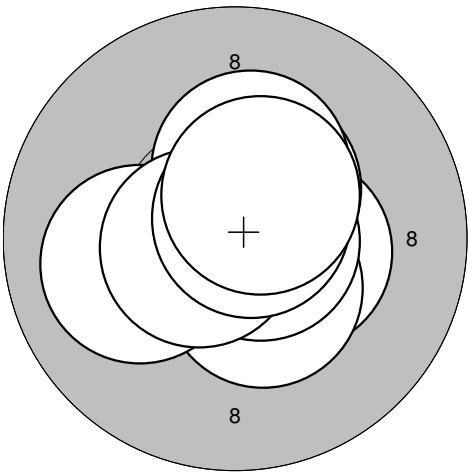
Ramselefors

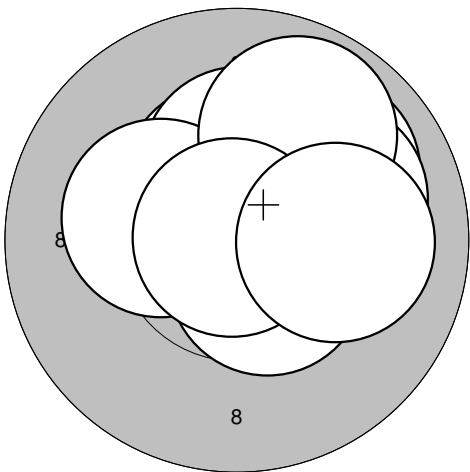
2011-04-09

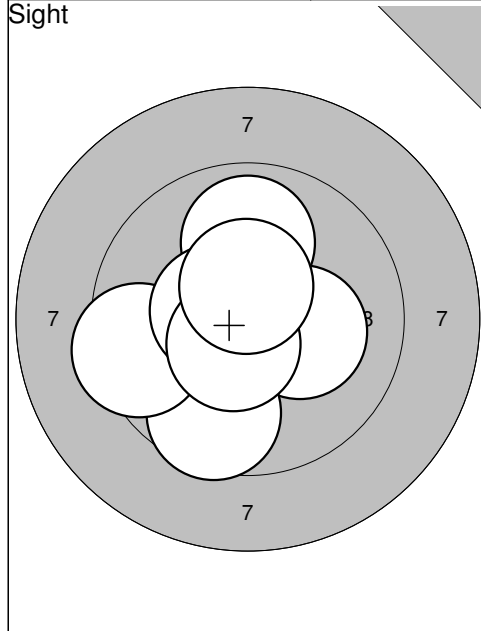
UME-Kulan 2011

Umeå skytteallians

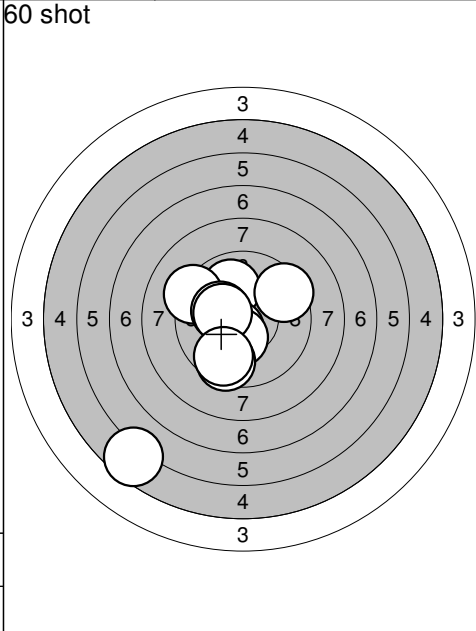
Sight 	1: 10,1 ↘	60 shot 	1: 10,9* ↗
	2: 10,0 ←		2: 10,4* ↙
	3: 10,6* ↗		3: 10,6* ↗
	4: 10,5* ↗		4: 9,5 ↓
	5: 9,2 ←		5: 10,3* ↖
	6: 10,7* →		6: 10,4* ↙
	7: 10,8* ↗		7: 10,8* ↑
			8: 10,1 ↖
			9: 9,9 ↓
			10: 10,7* ↗
	Serie 71,9		Serie 103,6
	Totalt 0,0		Totalt 103,6

60 shot 	11: 10,5* ↖	60 shot 	21: 10,7* ↘
	12: 10,3* ↑		22: 10,4* →
	13: 10,3* ←		23: 10,4* ↓
	14: 10,4* ↗		24: 10,1 ←
	15: 10,5* ↖		25: 10,4* ↗
	16: 10,8* ←		26: 10,7* →
	17: 10,4* ↗		27: 10,3* ↑
	18: 10,0 ↓		28: 10,6* ←
	19: 10,7* ↘		29: 10,7* ↗
	20: 10,7* →		30: 10,5* ↗
	Serie 104,6		Serie 104,8
	Totalt 208,2		Totalt 313,0

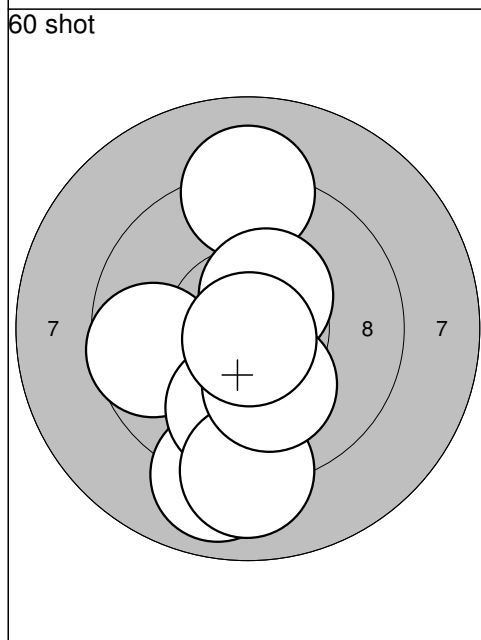
60 shot 	31: 10,4* ↑	
	32: 10,6* ↗	
	33: 10,0 ↗	
	34: 10,3* ↑	
	35: 10,0 →	
	36: 10,2* ←	
	37: 9,9 ↗	
	38: 10,5* ↘	
	39: 10,9* ↖	
	40: 10,1 →	
	Serie 102,9	
	Totalt 415,9	



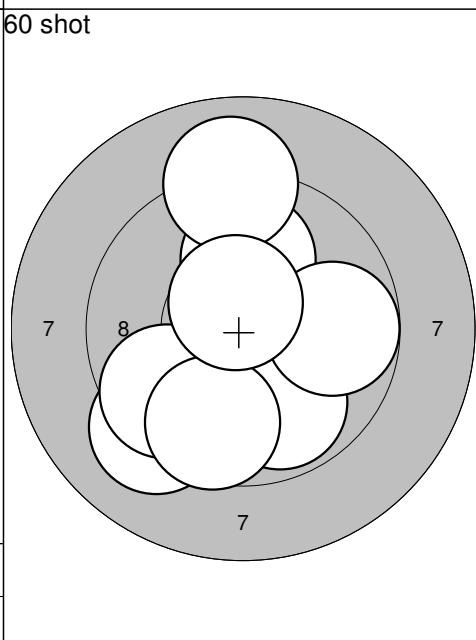
1: 10,2*	→
2: 9,6	↓
3: 9,9	↑
4: 9,4	←
5: 10,5*	←
6: 10,6*	↓
7: 10,5*	↑
Serie	70,7
Totalt	0,0



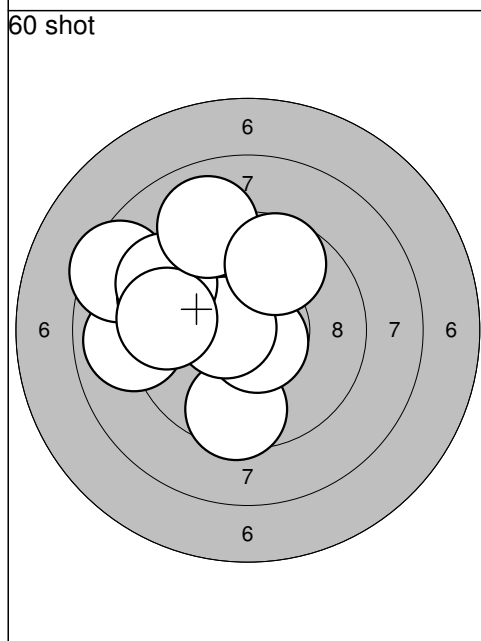
1: 5,6	↙
2: 10,0	↑
3: 10,6*	↙
4: 9,3	↖
5: 10,2*	↖
6: 9,5	↗
7: 10,4*	↓
8: 10,3*	↖
9: 9,5	↓
10: 9,7	↙
Serie	95,1
Totalt	95,1



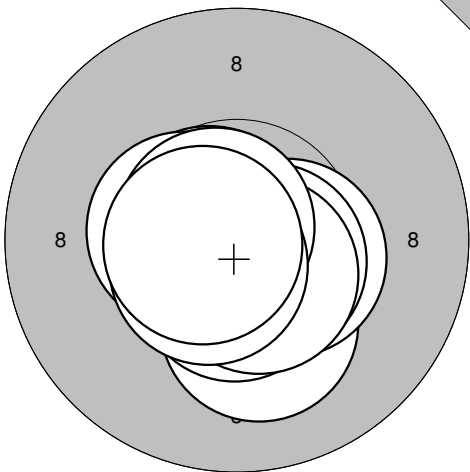
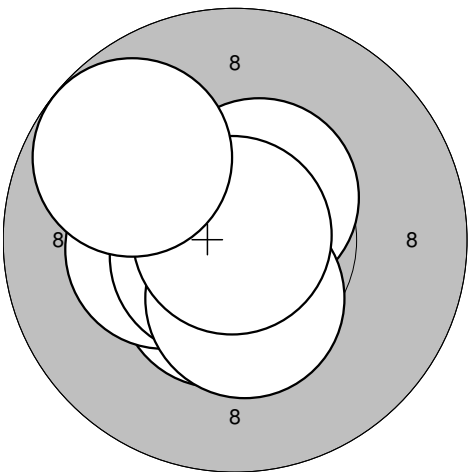
11: 9,1	↑
12: 9,5	↓
13: 9,7	←
14: 9,0	↓
15: 10,1	↓
16: 10,5*	↗
17: 9,9	↓
18: 9,1	↓
19: 10,1	↓
20: 10,8*	↓
Serie	97,8
Totalt	192,9

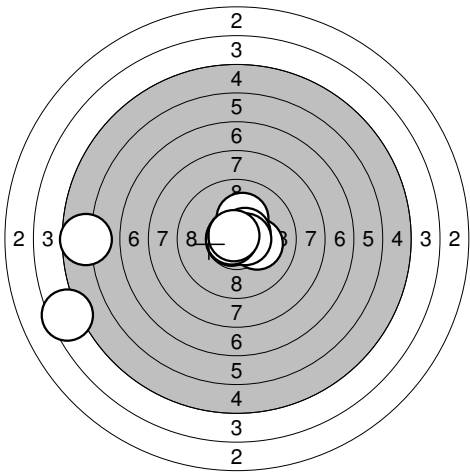
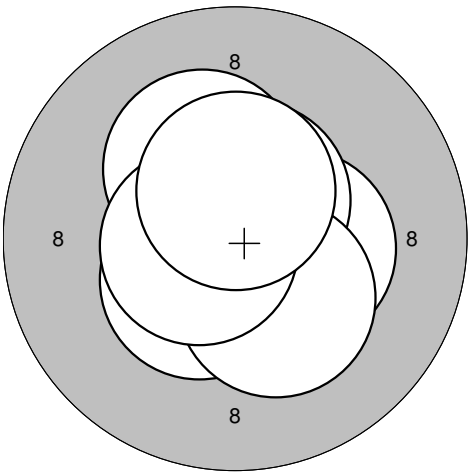


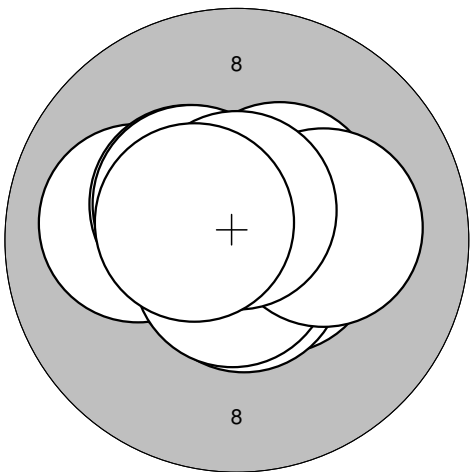
21: 10,4*	↑
22: 10,7*	↗
23: 9,9	↘
24: 10,0	↑
25: 9,2	↙
26: 9,8	→
27: 9,6	↙
28: 9,0	↑
29: 9,6	↓
30: 10,6*	↑
Serie	98,8
Totalt	291,7

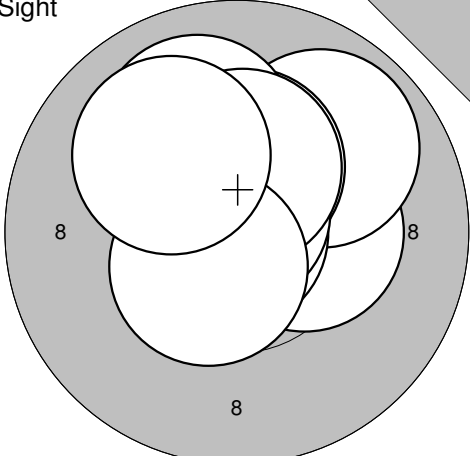
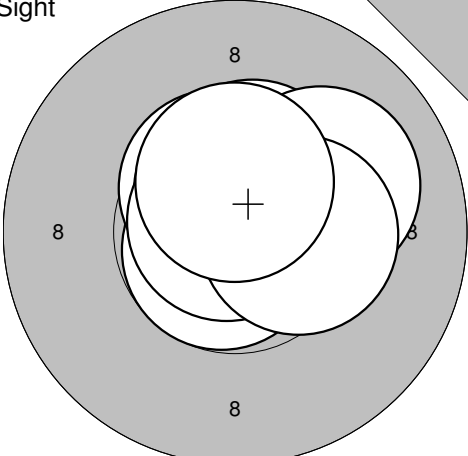


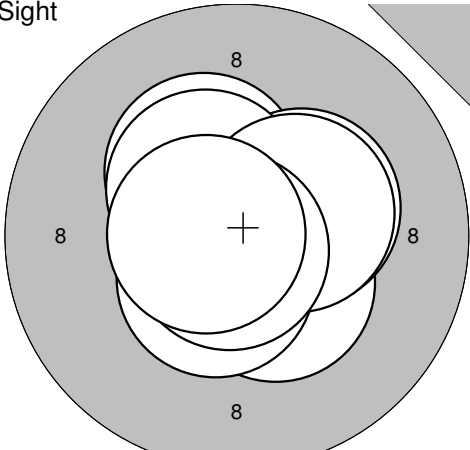
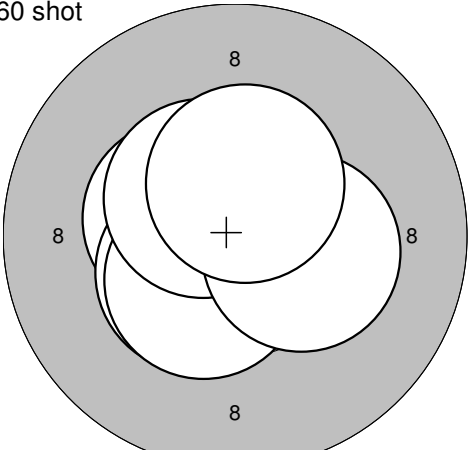
31: 8,9	←
32: 9,5	↓
33: 8,5	↖
34: 10,7*	↘
35: 9,4	↖
36: 10,6*	←
37: 9,3	↗
38: 9,5	←
39: 9,0	↑
40: 9,7	↗
Serie	95,1
Totalt	386,8

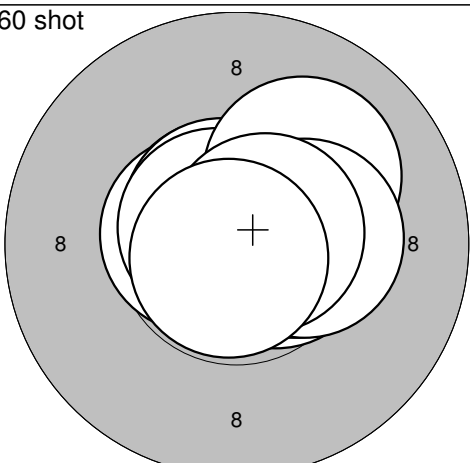
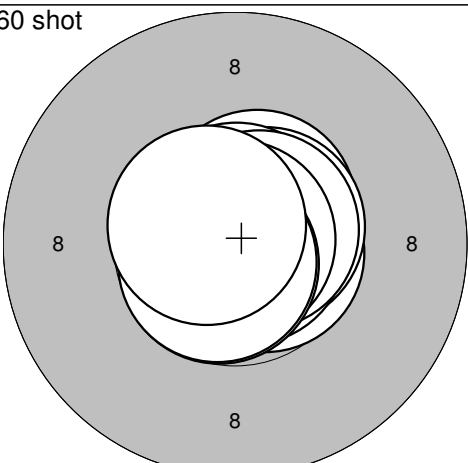
<p>Sight</p> 	<p>60 shot</p> 	<table style="width:100%; border-collapse: collapse;"> <tr><td style="width:50%;">1: 10,2* ↓</td><td style="width:50%;">1: 10,5* ↓</td></tr> <tr><td>2: 10,7* ↗</td><td>2: 10,4* ←</td></tr> <tr><td>3: 10,5* →</td><td>3: 10,8* ←</td></tr> <tr><td>4: 10,5* ←</td><td>4: 10,7* ←</td></tr> <tr><td>5: 10,6* ↓</td><td>5: 10,3* ←</td></tr> <tr><td>6: 10,6* ↓</td><td>6: 10,7* ↙</td></tr> <tr><td>7: 10,6* ↓</td><td>7: 10,5* ↗</td></tr> <tr><td>8: 10,7* ↗</td><td>8: 10,4* ↓</td></tr> <tr><td>9: 10,6* ↙</td><td>9: 10,9* ↗</td></tr> <tr><td>10: 10,6* ←</td><td>10: 9,8 ↙</td></tr> <tr><td colspan="2" style="border-top: 1px solid black;">Serie 105,6</td><td colspan="2" style="border-top: 1px solid black;">Serie 105,0</td></tr> <tr><td colspan="2" style="border-top: 1px solid black;">Totalt 0,0</td><td colspan="2" style="border-top: 1px solid black;">Totalt 105,0</td></tr> </table>	1: 10,2* ↓	1: 10,5* ↓	2: 10,7* ↗	2: 10,4* ←	3: 10,5* →	3: 10,8* ←	4: 10,5* ←	4: 10,7* ←	5: 10,6* ↓	5: 10,3* ←	6: 10,6* ↓	6: 10,7* ↙	7: 10,6* ↓	7: 10,5* ↗	8: 10,7* ↗	8: 10,4* ↓	9: 10,6* ↙	9: 10,9* ↗	10: 10,6* ←	10: 9,8 ↙	Serie 105,6		Serie 105,0		Totalt 0,0		Totalt 105,0	
1: 10,2* ↓	1: 10,5* ↓																													
2: 10,7* ↗	2: 10,4* ←																													
3: 10,5* →	3: 10,8* ←																													
4: 10,5* ←	4: 10,7* ←																													
5: 10,6* ↓	5: 10,3* ←																													
6: 10,6* ↓	6: 10,7* ↙																													
7: 10,6* ↓	7: 10,5* ↗																													
8: 10,7* ↗	8: 10,4* ↓																													
9: 10,6* ↙	9: 10,9* ↗																													
10: 10,6* ←	10: 9,8 ↙																													
Serie 105,6		Serie 105,0																												
Totalt 0,0		Totalt 105,0																												

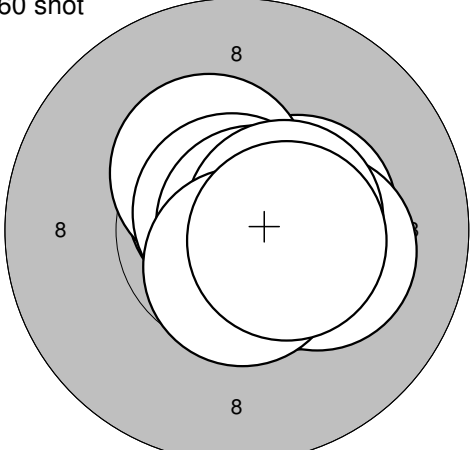
<p>60 shot</p> 	<p>60 shot</p> 	<table style="width:100%; border-collapse: collapse;"> <tr><td style="width:50%;">11: 10,2* →</td><td style="width:50%;">21: 10,4* ↓</td></tr> <tr><td>12: 10,9* ↗</td><td>22: 10,6* ↓</td></tr> <tr><td>13: 5,7 ←</td><td>23: 10,6* →</td></tr> <tr><td>14: 10,2* ↑</td><td>24: 10,4* →</td></tr> <tr><td>15: 4,5 ←</td><td>25: 10,3* ↗</td></tr> <tr><td>16: 10,8* ←</td><td>26: 10,5* ↙</td></tr> <tr><td>17: 10,6* ↗</td><td>27: 10,6* ↗</td></tr> <tr><td>18: 10,6* →</td><td>28: 10,3* ↓</td></tr> <tr><td>19: 10,8* ←</td><td>29: 10,6* ←</td></tr> <tr><td>20: 10,8* ↗</td><td>30: 10,5* ↑</td></tr> <tr><td colspan="2" style="border-top: 1px solid black;">Serie 95,1</td><td colspan="2" style="border-top: 1px solid black;">Serie 104,8</td></tr> <tr><td colspan="2" style="border-top: 1px solid black;">Totalt 200,1</td><td colspan="2" style="border-top: 1px solid black;">Totalt 304,9</td></tr> </table>	11: 10,2* →	21: 10,4* ↓	12: 10,9* ↗	22: 10,6* ↓	13: 5,7 ←	23: 10,6* →	14: 10,2* ↑	24: 10,4* →	15: 4,5 ←	25: 10,3* ↗	16: 10,8* ←	26: 10,5* ↙	17: 10,6* ↗	27: 10,6* ↗	18: 10,6* →	28: 10,3* ↓	19: 10,8* ←	29: 10,6* ←	20: 10,8* ↗	30: 10,5* ↑	Serie 95,1		Serie 104,8		Totalt 200,1		Totalt 304,9	
11: 10,2* →	21: 10,4* ↓																													
12: 10,9* ↗	22: 10,6* ↓																													
13: 5,7 ←	23: 10,6* →																													
14: 10,2* ↑	24: 10,4* →																													
15: 4,5 ←	25: 10,3* ↗																													
16: 10,8* ←	26: 10,5* ↙																													
17: 10,6* ↗	27: 10,6* ↗																													
18: 10,6* →	28: 10,3* ↓																													
19: 10,8* ←	29: 10,6* ←																													
20: 10,8* ↗	30: 10,5* ↑																													
Serie 95,1		Serie 104,8																												
Totalt 200,1		Totalt 304,9																												

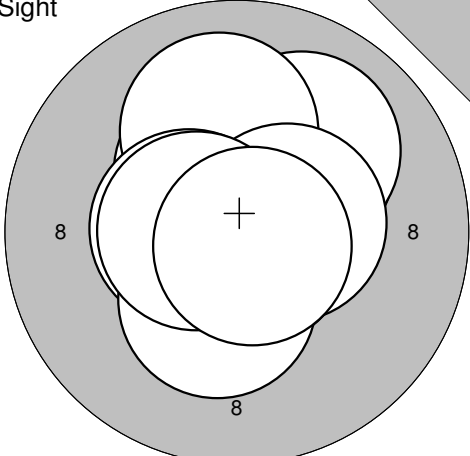
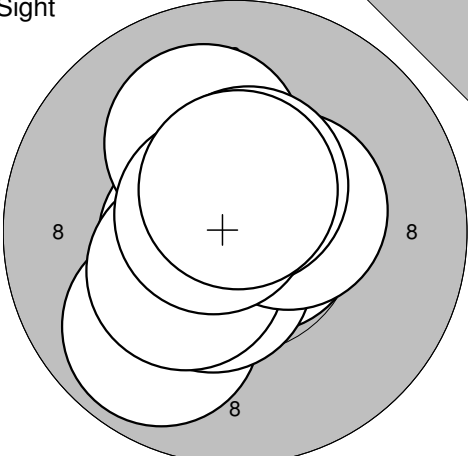
<p>60 shot</p> 	<table style="width:100%; border-collapse: collapse;"> <tr><td style="width:50%;">31: 10,6* →</td><td style="width:50%;"></td></tr> <tr><td>32: 10,1 ←</td><td></td></tr> <tr><td>33: 10,4* ↗</td><td></td></tr> <tr><td>34: 10,4* ↗</td><td></td></tr> <tr><td>35: 10,6* ↓</td><td></td></tr> <tr><td>36: 10,4* ↗</td><td></td></tr> <tr><td>37: 10,7* ↓</td><td></td></tr> <tr><td>38: 10,2* →</td><td></td></tr> <tr><td>39: 10,7* ↑</td><td></td></tr> <tr><td>40: 10,5* ←</td><td></td></tr> <tr><td colspan="2" style="border-top: 1px solid black;">Serie 104,6</td></tr> <tr><td colspan="2" style="border-top: 1px solid black;">Totalt 409,5</td></tr> </table>	31: 10,6* →		32: 10,1 ←		33: 10,4* ↗		34: 10,4* ↗		35: 10,6* ↓		36: 10,4* ↗		37: 10,7* ↓		38: 10,2* →		39: 10,7* ↑		40: 10,5* ←		Serie 104,6		Totalt 409,5	
31: 10,6* →																									
32: 10,1 ←																									
33: 10,4* ↗																									
34: 10,4* ↗																									
35: 10,6* ↓																									
36: 10,4* ↗																									
37: 10,7* ↓																									
38: 10,2* →																									
39: 10,7* ↑																									
40: 10,5* ←																									
Serie 104,6																									
Totalt 409,5																									

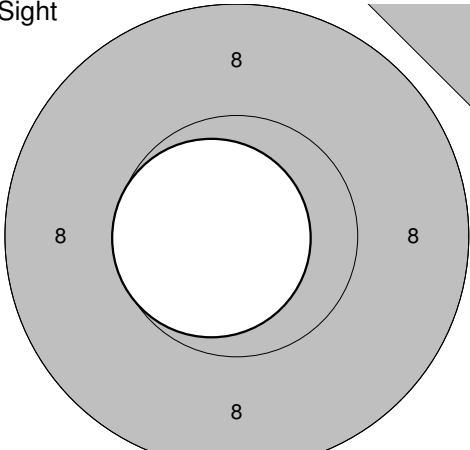
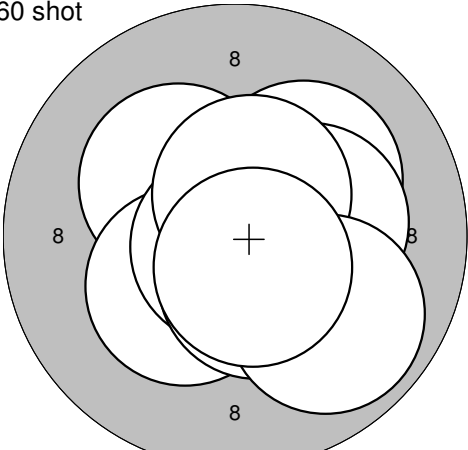
Sight		Sight
	1: 10,3* → 2: 9,9 ↗ 3: 10,9* ← 4: 10,4* ↑ 5: 10,0 ↑ 6: 10,4* ↑ 7: 10,8* ↑ 8: 10,4* ↑ 9: 10,5* ↘ 10: 10,0 ↖	
	Serie 103,6	Serie 105,3
	Totalt 0,0	Totalt 0,0

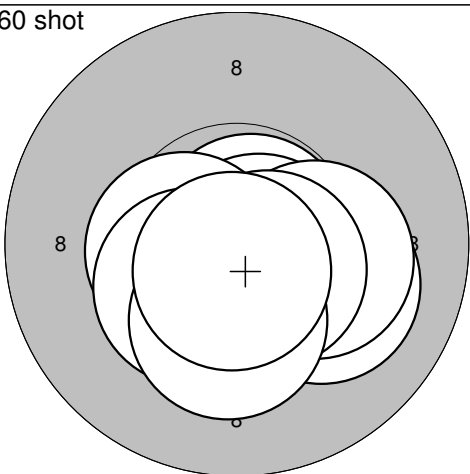
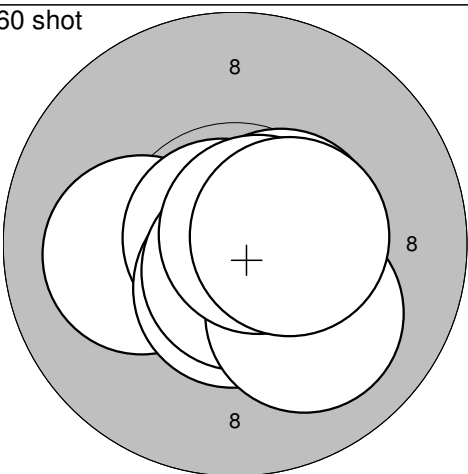
Sight		60 shot
	21: 10,4* ↘ 22: 10,6* ↗ 23: 10,3* ↗ 24: 10,3* → 25: 10,9* ↘ 26: 10,4* ↗ 27: 10,4* → 28: 10,5* ↘ 29: 10,8* ↘ 30: 10,7* ←	
	Serie 105,3	Serie 105,7
	Totalt 0,0	Totalt 105,7

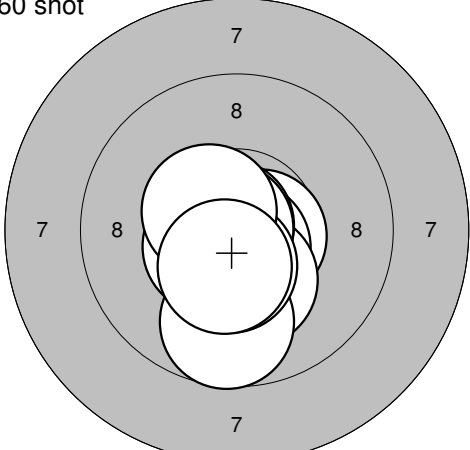
60 shot		60 shot
	11: 10,7* ↖ 12: 10,6* ← 13: 10,7* ↗ 14: 10,6* → 15: 10,4* → 16: 10,7* ↗ 17: 10,1 ↗ 18: 10,3* → 19: 10,7* → 20: 10,8* ↘	
	Serie 105,6	Serie 107,1
	Totalt 211,3	Totalt 318,4

60 shot		
	31: 10,4* → 32: 10,7* ↗ 33: 10,4* ↗ 34: 10,8* ↑ 35: 10,5* ↘ 36: 10,8* → 37: 10,2* → 38: 10,5* → 39: 10,6* ↘ 40: 10,5* →	
	Serie 105,4	
	Totalt 423,8	

Sight		Sight	
	1: 10,2* ↗ 2: 10,4* ↗ 3: 10,0 ↗ 4: 10,0 ↑ 5: 10,5* ↓ 6: 10,5* ← 7: 10,3* ↓ 8: 10,5* → 9: 10,6* ← 10: 10,8* ↓		11: 10,7* → 12: 9,9 ↓ 13: 10,5* ↓ 14: 10,6* ← 15: 10,4* ← 16: 10,1 ↑ 17: 10,4* → 18: 10,5* ↑ 19: 10,7* ↗ 20: 10,6* ↑
	Serie 103,8 Totalt 0,0		Serie 104,4 Totalt 0,0

Sight		60 shot	
	21: 10,7* ←		1: 10,1 ↗ 2: 10,6* ← 3: 10,3* → 4: 10,3* ↗ 5: 10,3* ↓ 6: 10,8* ↓ 7: 10,5* ↗ 8: 10,5* ↓ 9: 9,9 ↓ 10: 10,6* ↓
	Serie 10,7 Totalt 0,0		Serie 103,9 Totalt 103,9

60 shot		60 shot	
	11: 10,8* ↗ 12: 10,7* → 13: 10,1 → 14: 10,2* → 15: 10,4* ↓ 16: 10,5* ← 17: 10,4* ↙ 18: 10,6* ↘ 19: 10,3* ↓ 20: 10,7* ↓		21: 10,7* ↓ 22: 10,1 ← 23: 10,8* ↖ 24: 10,5* ↓ 25: 10,7* ↓ 26: 10,5* → 27: 10,7* ↓ 28: 10,1 ↓ 29: 10,7* → 30: 10,5* →
	Serie 104,7 Totalt 208,6		Serie 105,3 Totalt 313,9

60 shot			
	31: 10,6* → 32: 10,7* ↓ 33: 10,3* ↓ 34: 10,5* ↙ 35: 10,8* ↖ 36: 9,7 ↓ 37: 10,8* ← 38: 10,5* ↓ 39: 10,5* ↗ 40: 10,4* ↓		
	Serie 104,8 Totalt 418,7		

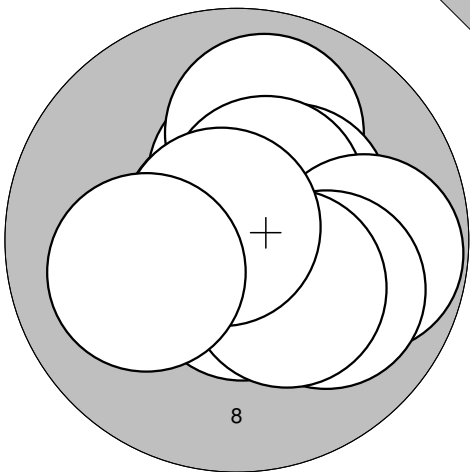
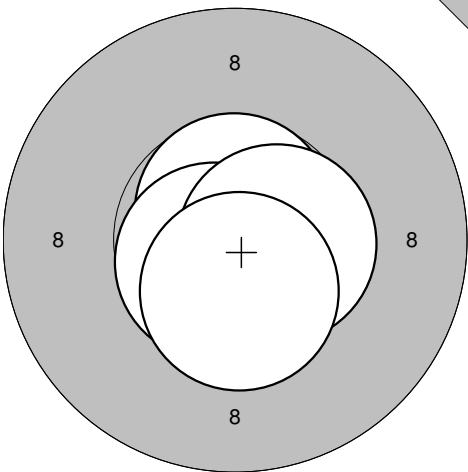


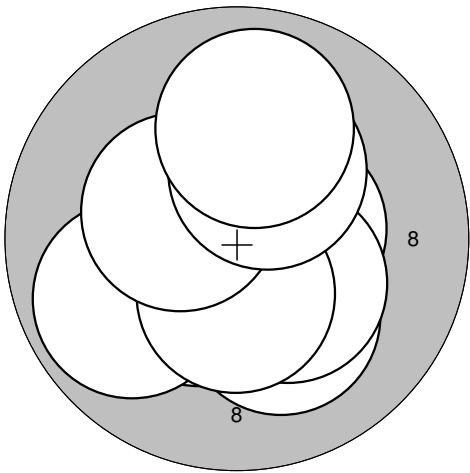
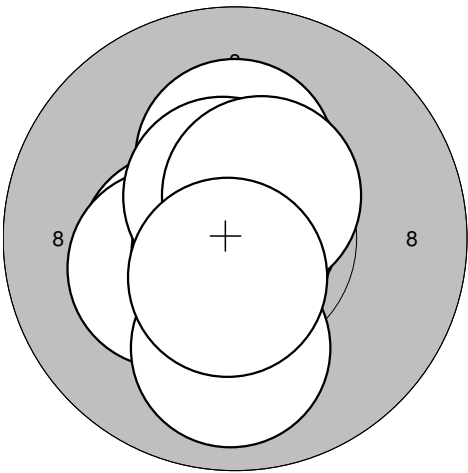
Ramselefors

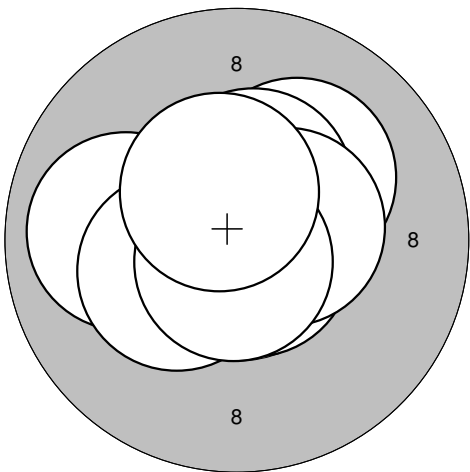
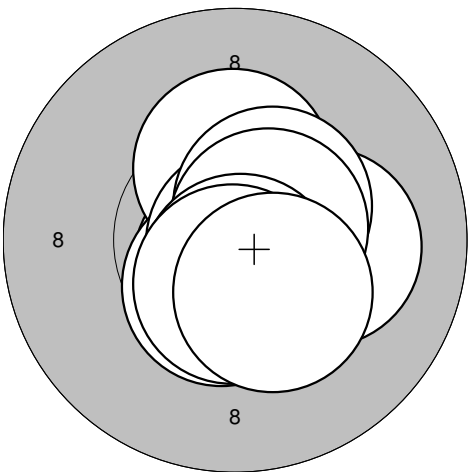
2011-04-09

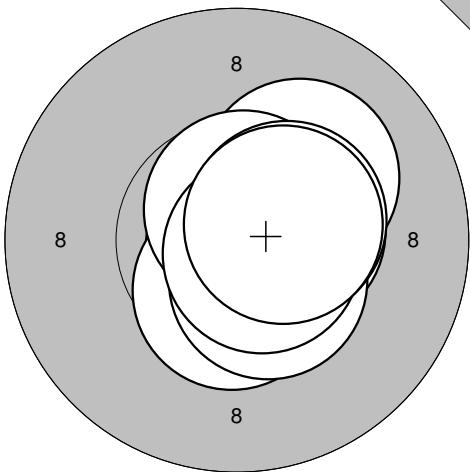
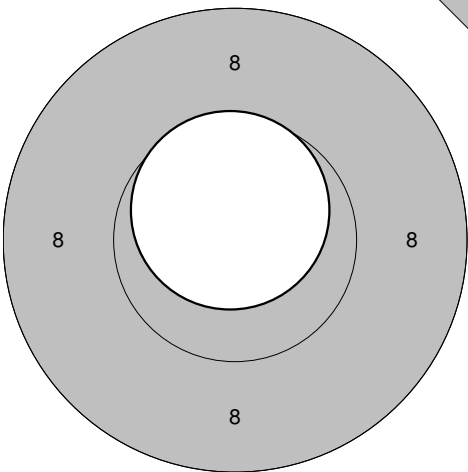
UME-Kulan 2011

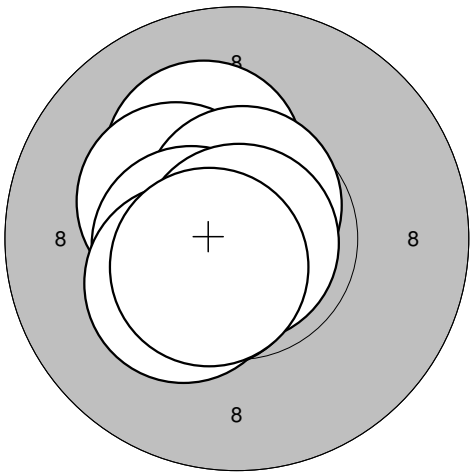
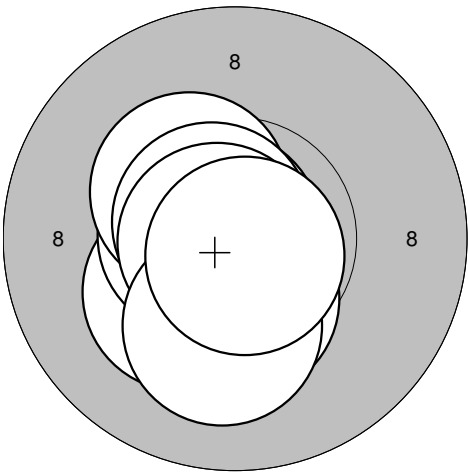
Umeå skytteallians

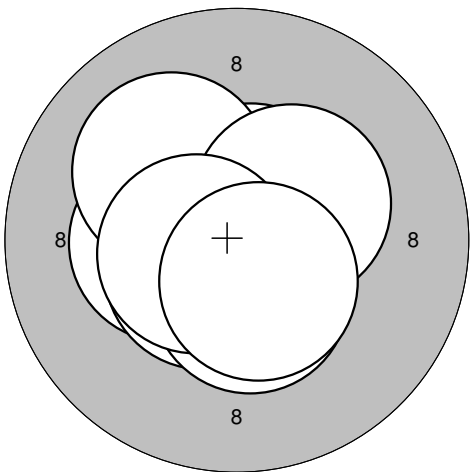
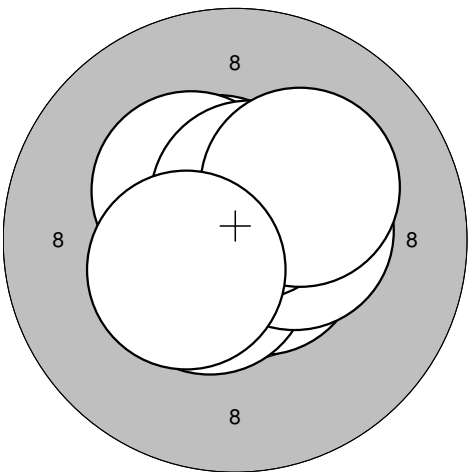
<p>Sight</p> 	<p>Sight</p> 	<p>Sight</p>
<p>1: 10,4* ↑</p> <p>2: 10,0 ↑</p> <p>3: 10,4* →</p> <p>4: 10,5* ↑</p> <p>5: 9,8 →</p> <p>6: 10,0 ↓</p> <p>7: 10,6* ↓</p> <p>8: 10,3* ↓</p> <p>9: 10,8* ↑</p> <p>10: 10,1 ←</p>	<p>11: 10,7* ↑</p> <p>12: 10,7* ↙</p> <p>13: 10,6* →</p> <p>14: 10,5* ↓</p>	
Serie 102,9	Serie 42,5	
Totalt 0,0	Totalt 0,0	

<p>60 shot</p> 	<p>60 shot</p> 	<p>60 shot</p>
<p>1: 10,4* ↙</p> <p>2: 10,5* →</p> <p>3: 10,9* ↑</p> <p>4: 9,9 ←</p> <p>5: 10,1 ↓</p> <p>6: 10,3* ↓</p> <p>7: 10,4* ↓</p> <p>8: 10,4* ↖</p> <p>9: 10,3* ↑</p> <p>10: 9,9 ↑</p>	<p>11: 10,8* ↗</p> <p>12: 10,4* ↑</p> <p>13: 10,4* ←</p> <p>14: 10,3* ↖</p> <p>15: 10,8* ↓</p> <p>16: 10,2* ↑</p> <p>17: 10,6* ↑</p> <p>18: 10,0 ↓</p> <p>19: 10,5* ↗</p> <p>20: 10,6* ↓</p>	
Serie 103,1	Serie 104,6	
Totalt 103,1	Totalt 207,7	

<p>60 shot</p> 	<p>60 shot</p> 	<p>60 shot</p>
<p>21: 10,6* ↖</p> <p>22: 10,2* ↗</p> <p>23: 9,9 ←</p> <p>24: 10,5* ↑</p> <p>25: 10,7* ↖</p> <p>26: 10,3* ↖</p> <p>27: 10,7* ↓</p> <p>28: 10,5* →</p> <p>29: 10,8* ↓</p> <p>30: 10,5* ↑</p>	<p>31: 10,7* ↓</p> <p>32: 10,3* ↑</p> <p>33: 10,5* ↓</p> <p>34: 10,8* →</p> <p>35: 10,2* →</p> <p>36: 10,5* ↗</p> <p>37: 10,6* →</p> <p>38: 10,6* ↓</p> <p>39: 10,5* ↓</p> <p>40: 10,4* ↘</p>	
Serie 104,7	Serie 105,1	
Totalt 312,4	Totalt 417,5	

<p>Sight</p> 	<p>1: 10,5* →</p> <p>2: 10,8* ↘</p> <p>3: 10,1 ↗</p> <p>4: 10,5* ↘</p> <p>5: 10,5* ↘</p> <p>6: 10,7* ↗</p> <p>7: 10,7* ↗</p> <p>8: 10,5* →</p> <p>9: 10,7* ↘</p> <p>10: 10,5* →</p> <table border="1" style="width:100%; border-collapse: collapse;"> <tr> <td style="text-align: right;">Serie</td> <td style="text-align: left;">105,5</td> </tr> <tr> <td style="text-align: right;">Totalt</td> <td style="text-align: left;">0,0</td> </tr> </table>	Serie	105,5	Totalt	0,0	<p>Sight</p>  <table border="1" style="width:100%; border-collapse: collapse;"> <tr> <td style="text-align: right;">Serie</td> <td style="text-align: left;">10,7</td> </tr> <tr> <td style="text-align: right;">Totalt</td> <td style="text-align: left;">0,0</td> </tr> </table>	Serie	10,7	Totalt	0,0
Serie	105,5									
Totalt	0,0									
Serie	10,7									
Totalt	0,0									

<p>60 shot</p> 	<p>1: 10,6* ↙</p> <p>2: 10,2* ↗</p> <p>3: 10,9* ←</p> <p>4: 10,6* ←</p> <p>5: 10,3* ↗</p> <p>6: 10,6* ↗</p> <p>7: 10,5* ←</p> <p>8: 10,3* ↙</p> <p>9: 10,9* ↘</p> <p>10: 10,6* ↙</p> <table border="1" style="width:100%; border-collapse: collapse;"> <tr> <td style="text-align: right;">Serie</td> <td style="text-align: left;">105,5</td> </tr> <tr> <td style="text-align: right;">Totalt</td> <td style="text-align: left;">105,5</td> </tr> </table>	Serie	105,5	Totalt	105,5	<p>60 shot</p>  <p>11: 10,4* ↘</p> <p>12: 10,8* ↖</p> <p>13: 10,7* ←</p> <p>14: 10,3* ↙</p> <p>15: 10,6* ←</p> <p>16: 10,4* ↗</p> <p>17: 10,7* ↖</p> <p>18: 10,8* ←</p> <p>19: 10,2* ↘</p> <p>20: 10,8* ↘</p> <table border="1" style="width:100%; border-collapse: collapse;"> <tr> <td style="text-align: right;">Serie</td> <td style="text-align: left;">105,7</td> </tr> <tr> <td style="text-align: right;">Totalt</td> <td style="text-align: left;">211,2</td> </tr> </table>	Serie	105,7	Totalt	211,2
Serie	105,5									
Totalt	105,5									
Serie	105,7									
Totalt	211,2									

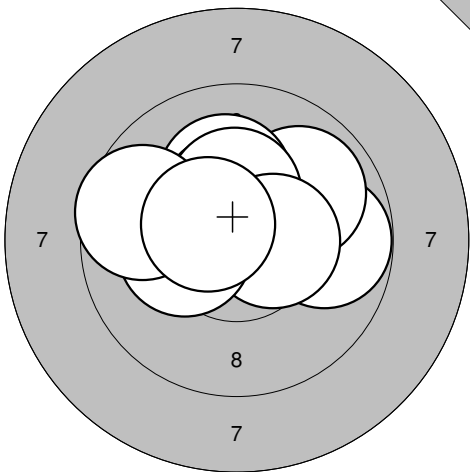
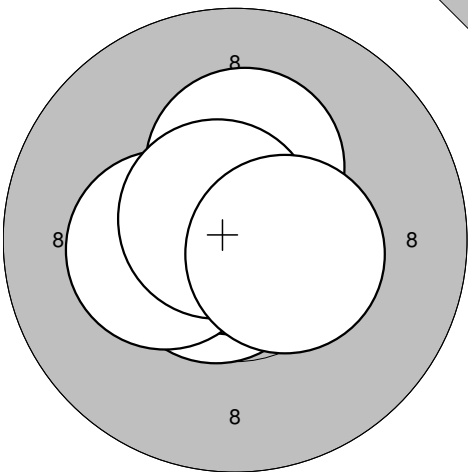
<p>60 shot</p> 	<p>21: 10,8* ↘</p> <p>22: 10,6* ↗</p> <p>23: 10,6* ↗</p> <p>24: 10,3* ←</p> <p>25: 10,5* ↙</p> <p>26: 10,1 ↗</p> <p>27: 10,4* ↗</p> <p>28: 10,4* ↘</p> <p>29: 10,6* ←</p> <p>30: 10,5* ↘</p> <table border="1" style="width:100%; border-collapse: collapse;"> <tr> <td style="text-align: right;">Serie</td> <td style="text-align: left;">104,8</td> </tr> <tr> <td style="text-align: right;">Totalt</td> <td style="text-align: left;">316,0</td> </tr> </table>	Serie	104,8	Totalt	316,0	<p>60 shot</p>  <p>31: 10,5* ↗</p> <p>32: 10,8* ↖</p> <p>33: 10,7* ↘</p> <p>34: 10,6* ↙</p> <p>35: 10,4* →</p> <p>36: 10,7* ↗</p> <p>37: 10,4* ↖</p> <p>38: 10,6* ↗</p> <p>39: 10,2* ↗</p> <p>40: 10,4* ↖</p> <table border="1" style="width:100%; border-collapse: collapse;"> <tr> <td style="text-align: right;">Serie</td> <td style="text-align: left;">105,3</td> </tr> <tr> <td style="text-align: right;">Totalt</td> <td style="text-align: left;">421,3</td> </tr> </table>	Serie	105,3	Totalt	421,3
Serie	104,8									
Totalt	316,0									
Serie	105,3									
Totalt	421,3									

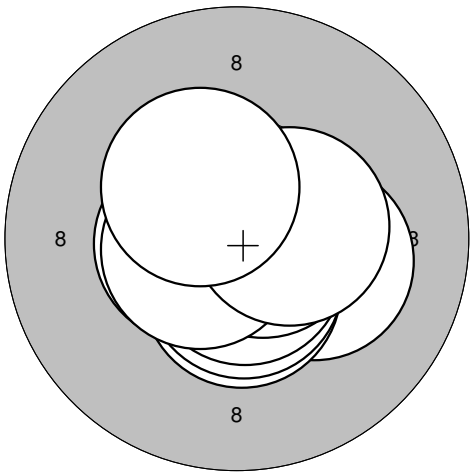
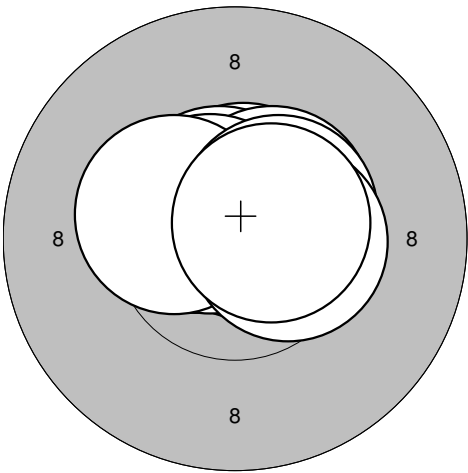
Ramselefors

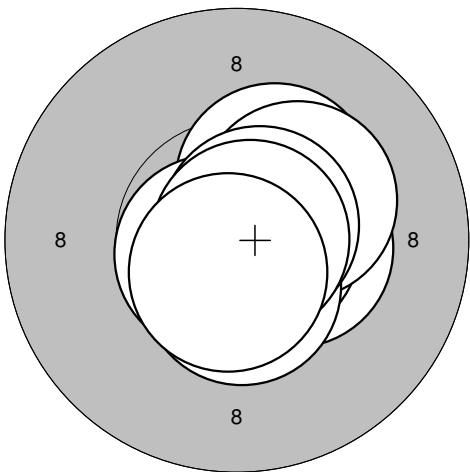
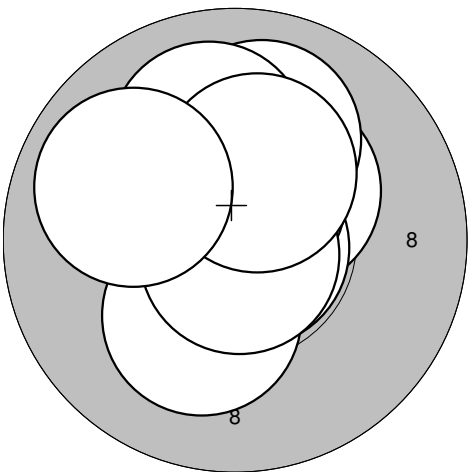
2011-04-09

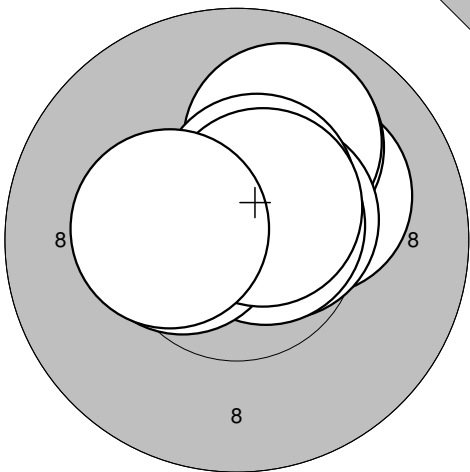
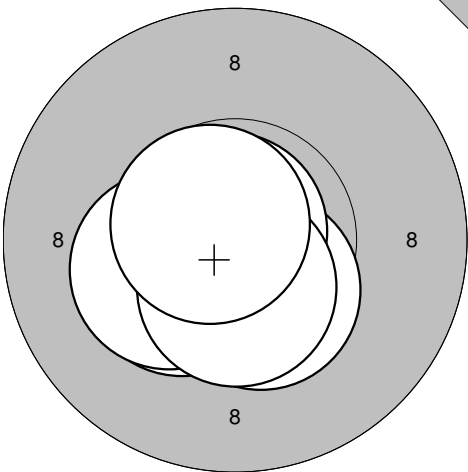
UME-Kulan 2011

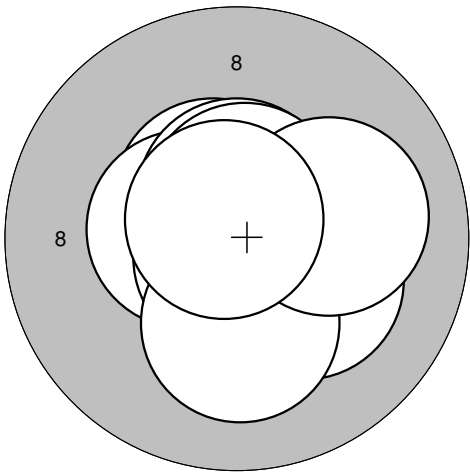
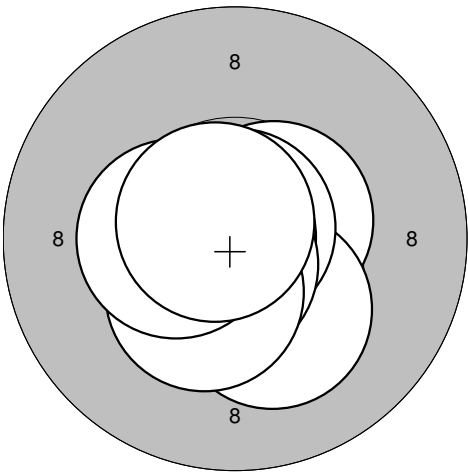
Umeå skytteallians

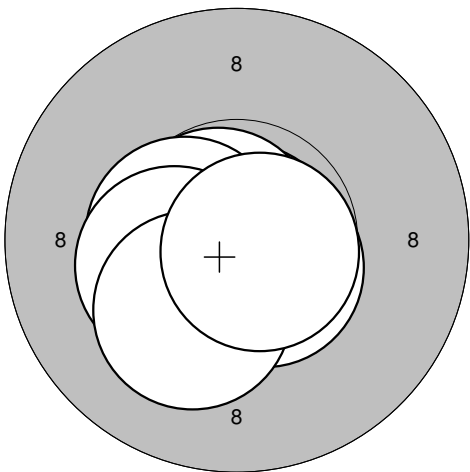
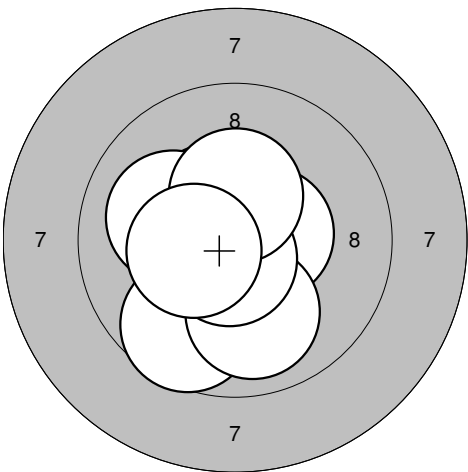
<p>Sight</p>  <table border="1" style="width:100%; border-collapse: collapse;"> <tr><td>Serie</td><td>101,9</td></tr> <tr><td>Totalt</td><td>0,0</td></tr> </table>	Serie	101,9	Totalt	0,0	<p>Sight</p>  <table border="1" style="width:100%; border-collapse: collapse;"> <tr><td>Serie</td><td>73,9</td></tr> <tr><td>Totalt</td><td>0,0</td></tr> </table>	Serie	73,9	Totalt	0,0
Serie	101,9								
Totalt	0,0								
Serie	73,9								
Totalt	0,0								

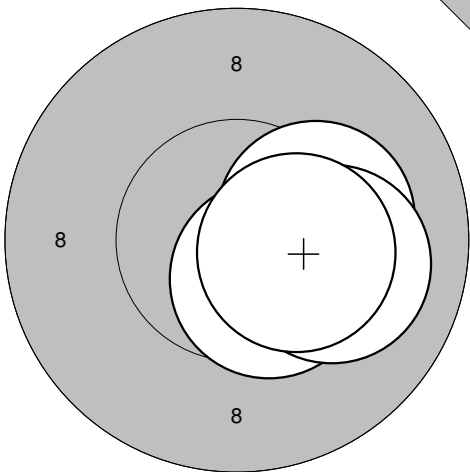
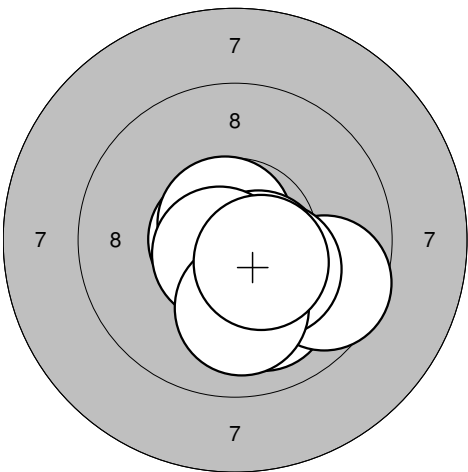
<p>60 shot</p>  <table border="1" style="width:100%; border-collapse: collapse;"> <tr><td>Serie</td><td>105,6</td></tr> <tr><td>Totalt</td><td>105,6</td></tr> </table>	Serie	105,6	Totalt	105,6	<p>60 shot</p>  <table border="1" style="width:100%; border-collapse: collapse;"> <tr><td>Serie</td><td>105,5</td></tr> <tr><td>Totalt</td><td>211,1</td></tr> </table>	Serie	105,5	Totalt	211,1
Serie	105,6								
Totalt	105,6								
Serie	105,5								
Totalt	211,1								

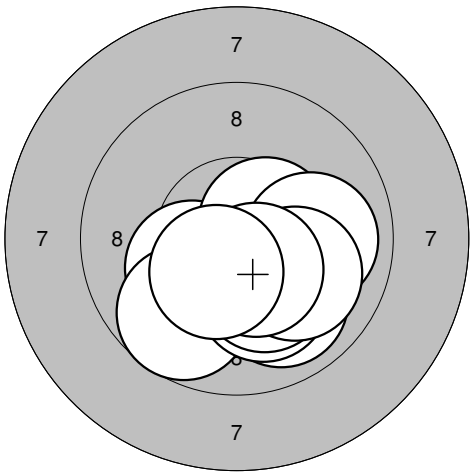
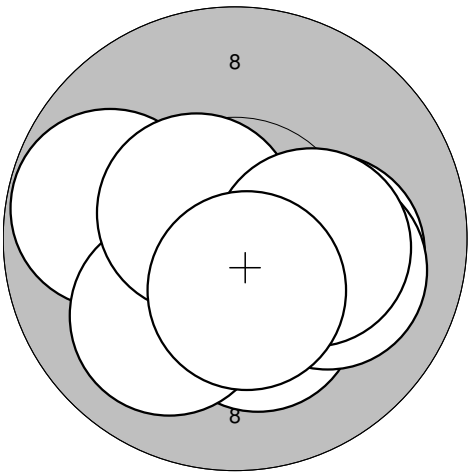
<p>60 shot</p>  <table border="1" style="width:100%; border-collapse: collapse;"> <tr><td>Serie</td><td>105,8</td></tr> <tr><td>Totalt</td><td>316,9</td></tr> </table>	Serie	105,8	Totalt	316,9	<p>60 shot</p>  <table border="1" style="width:100%; border-collapse: collapse;"> <tr><td>Serie</td><td>103,3</td></tr> <tr><td>Totalt</td><td>420,2</td></tr> </table>	Serie	103,3	Totalt	420,2
Serie	105,8								
Totalt	316,9								
Serie	103,3								
Totalt	420,2								

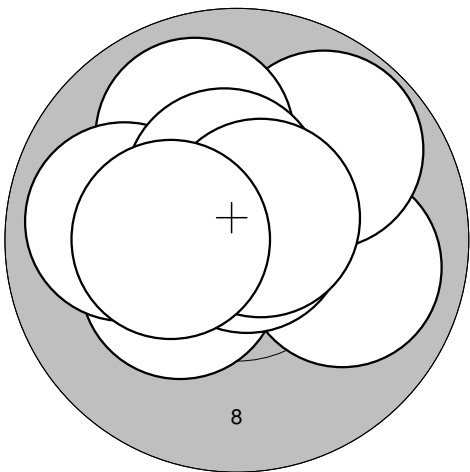
<p>Sight</p> 	<p>Sight</p> 	
<p>1: 10,2* ↗</p> <p>2: 10,0 ↗</p> <p>3: 10,7* ↗</p> <p>4: 10,0 ↗</p> <p>5: 10,5* →</p> <p>6: 10,7* →</p> <p>7: 10,5* ↗</p> <p>8: 10,5* ←</p> <p>9: 10,6* ↗</p> <p>10: 10,3* ←</p>	<p>11: 10,6* ↙</p> <p>12: 10,4* ↙</p> <p>13: 10,8* ←</p> <p>14: 10,4* ↓</p> <p>15: 10,9* ↗</p> <p>16: 10,3* ↙</p> <p>17: 10,5* ↓</p> <p>18: 10,7* ↙</p>	
Serie 104,0	Serie 84,6	
Totalt 0,0	Totalt 0,0	

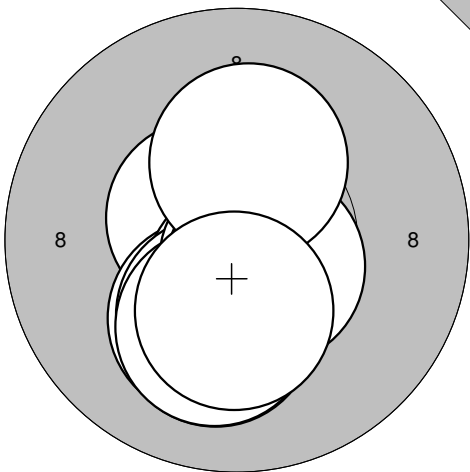
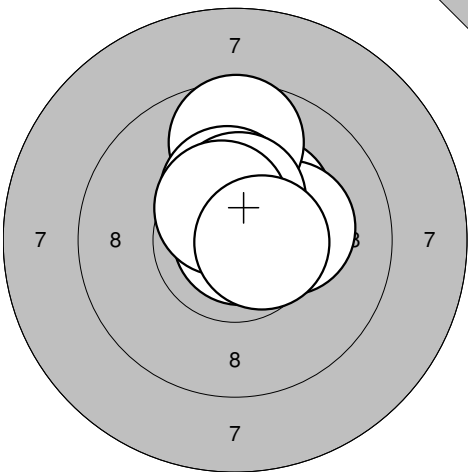
<p>60 shot</p> 	<p>60 shot</p> 	
<p>1: 10,5* ↗</p> <p>2: 10,2* ↘</p> <p>3: 10,5* ←</p> <p>4: 10,8* ↓</p> <p>5: 10,6* ↑</p> <p>6: 10,8* →</p> <p>7: 10,6* ↑</p> <p>8: 10,2* ↓</p> <p>9: 10,1 →</p> <p>10: 10,7* ↗</p>	<p>11: 10,5* ↓</p> <p>12: 10,7* ↙</p> <p>13: 10,6* →</p> <p>14: 10,2* ↓</p> <p>15: 10,9* ↑</p> <p>16: 10,8* ←</p> <p>17: 10,7* ↓</p> <p>18: 10,4* ↓</p> <p>19: 10,4* ←</p> <p>20: 10,7* ↙</p>	
Serie 105,0	Serie 105,9	
Totalt 105,0	Totalt 210,9	

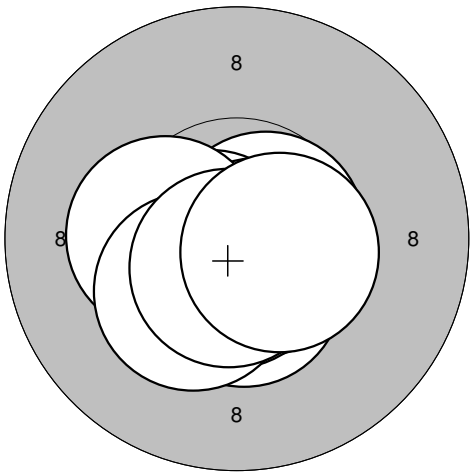
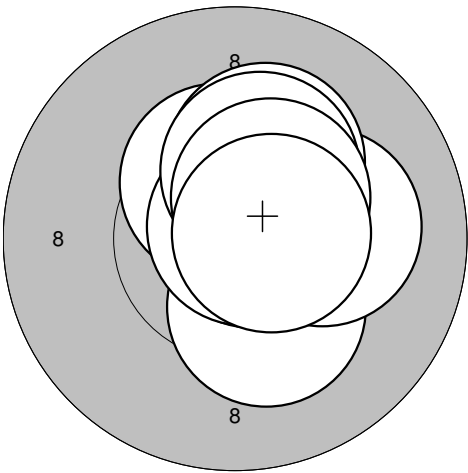
<p>60 shot</p> 	<p>60 shot</p> 	
<p>21: 10,8* ↙</p> <p>22: 10,8* ↙</p> <p>23: 10,9* →</p> <p>24: 10,6* ↙</p> <p>25: 10,6* ↘</p> <p>26: 10,7* ↗</p> <p>27: 10,5* ←</p> <p>28: 10,3* ↙</p> <p>29: 10,2* ↙</p> <p>30: 10,7* →</p>	<p>31: 10,5* →</p> <p>32: 9,7 ↙</p> <p>33: 10,5* ↗</p> <p>34: 10,6* ↙</p> <p>35: 10,0 ↓</p> <p>36: 10,7* ↙</p> <p>37: 10,7* ↓</p> <p>38: 10,1 ↙</p> <p>39: 10,4* ↑</p> <p>40: 10,4* ←</p>	
Serie 106,1	Serie 103,6	
Totalt 317,0	Totalt 420,6	

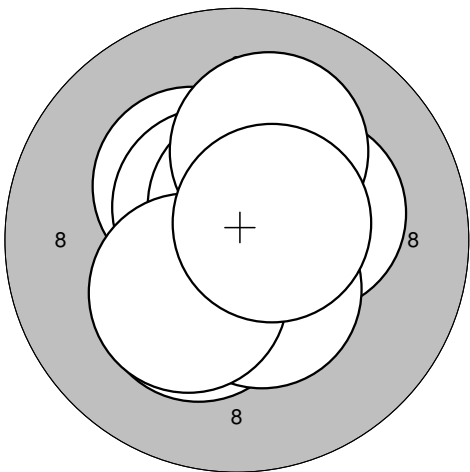
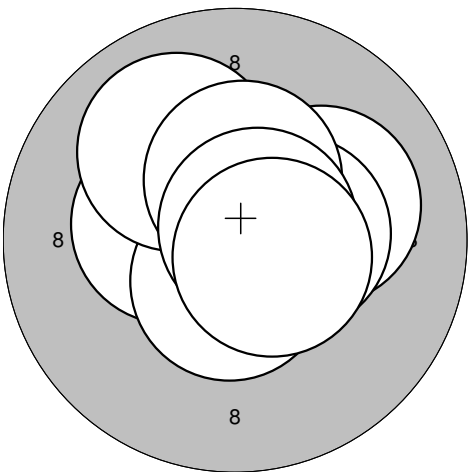
Sight 	60 shot 	
	1: 10,5* ↘ 2: 10,2* → 3: 10,1 → 4: 10,4* →	1: 10,5* ↓ 2: 10,7* ← 3: 10,7* ↗ 4: 10,0 ↓ 5: 10,6* ↓ 6: 9,6 ↓ 7: 10,7* ↙ 8: 10,3* ↘ 9: 10,0 ↓ 10: 10,5* ↓
	Serie 41,2	Serie 103,6
	Totalt 0,0	Totalt 103,6

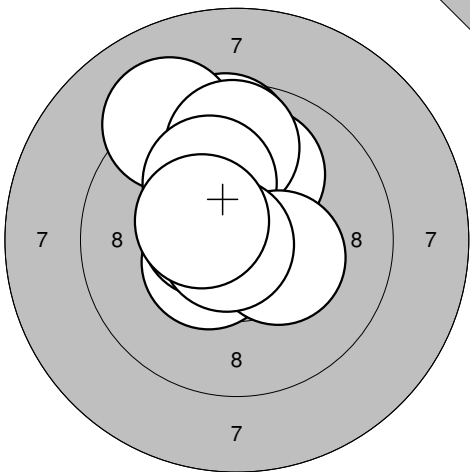
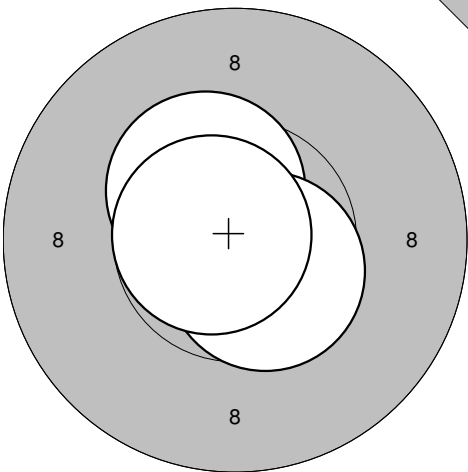
60 shot 	60 shot 	
	11: 10,2* ↙ 12: 10,5* → 13: 10,0 → 14: 9,7 ↘ 15: 9,9 ↘ 16: 10,1 ↘ 17: 10,2* ↘ 18: 10,0 ↘ 19: 10,5* ↘ 20: 10,4* ↘	21: 10,4* ↓ 22: 10,2* ↓ 23: 10,1 → 24: 10,6* ↓ 25: 9,8 ← 26: 10,0 ↘ 27: 10,5* ↗ 28: 10,1 → 29: 10,2* → 30: 10,5* ↓
	Serie 101,5	Serie 102,4
	Totalt 205,1	Totalt 307,5

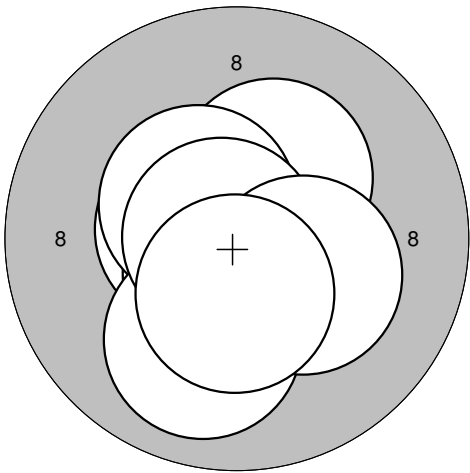
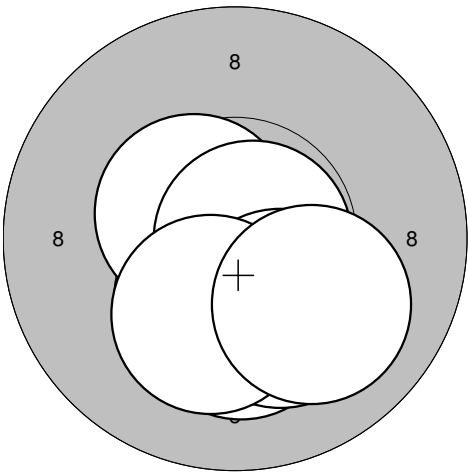
60 shot 	31: 10,0 → 32: 10,3* ↙ 33: 10,9* ↑ 34: 9,8 ↗ 35: 9,9 ↗ 36: 10,8* → 37: 9,9 ← 38: 10,5* ↑ 39: 10,7* ↗ 40: 10,4* ←	
	Serie 103,2	
	Totalt 410,7	

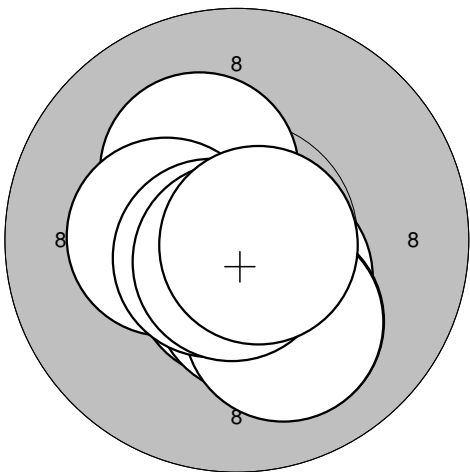
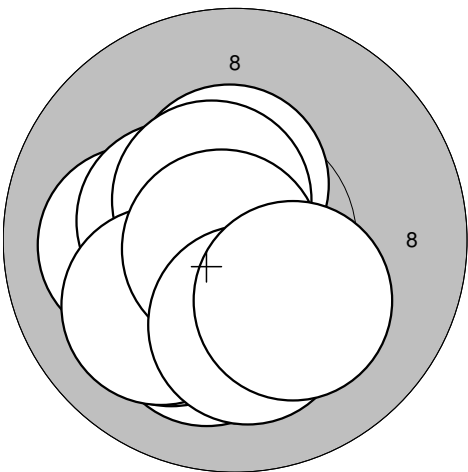
<p>Sight</p> 	<p>1: 10,6* ↖                  2: 10,2* ↓                  3: 10,1 ↓                  4: 10,6* ↓                  5: 10,2* ↓                  6: 10,7* ↘                  7: 10,1 ↓                  8: 10,6* ↘                  9: 10,2* ↑                  10: 10,3* ↓</p> <table border="1" style="width:100%; border-collapse: collapse;"> <tr><td>Serie</td><td style="text-align: right;">103,6</td></tr> <tr><td>Totalt</td><td style="text-align: right;">0,0</td></tr> </table>	Serie	103,6	Totalt	0,0	<p>Sight</p> 	<p>11: 10,3* ↗                  12: 10,9* →                  13: 10,5* ↑                  14: 10,5* ↑                  15: 10,2* →                  16: 9,7 ↑                  17: 10,3* ↑                  18: 10,4* ↑                  19: 10,5* ↗                  20: 10,6* →</p> <table border="1" style="width:100%; border-collapse: collapse;"> <tr><td>Serie</td><td style="text-align: right;">103,9</td></tr> <tr><td>Totalt</td><td style="text-align: right;">0,0</td></tr> </table>	Serie	103,9	Totalt	0,0
Serie	103,6										
Totalt	0,0										
Serie	103,9										
Totalt	0,0										

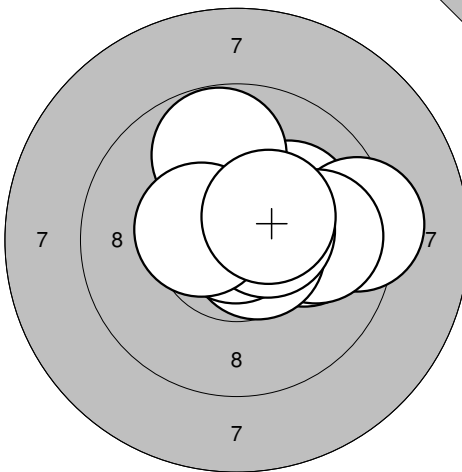
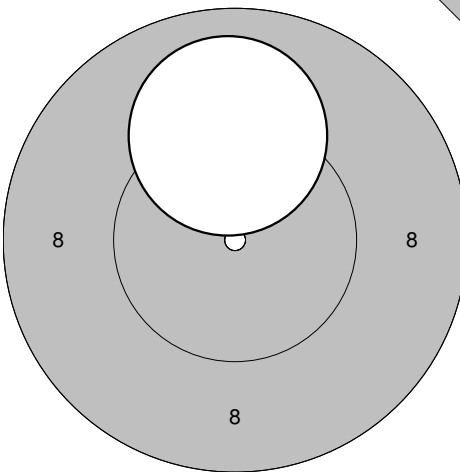
<p>60 shot</p> 	<p>1: 10,7* →                  2: 10,5* ↓                  3: 10,5* ←                  4: 10,7* ←                  5: 10,7* ↘                  6: 10,7* ↓                  7: 10,3* ←                  8: 10,3* ↘                  9: 10,7* ↓                  10: 10,5* →</p> <table border="1" style="width:100%; border-collapse: collapse;"> <tr><td>Serie</td><td style="text-align: right;">105,6</td></tr> <tr><td>Totalt</td><td style="text-align: right;">105,6</td></tr> </table>	Serie	105,6	Totalt	105,6	<p>60 shot</p> 	<p>11: 10,3* ↓                  12: 10,2* →                  13: 10,8* →                  14: 10,7* ↗                  15: 10,4* ↑                  16: 10,2* ↑                  17: 10,8* ↗                  18: 10,3* ↑                  19: 10,5* ↗                  20: 10,6* →</p> <table border="1" style="width:100%; border-collapse: collapse;"> <tr><td>Serie</td><td style="text-align: right;">104,8</td></tr> <tr><td>Totalt</td><td style="text-align: right;">210,4</td></tr> </table>	Serie	104,8	Totalt	210,4
Serie	105,6										
Totalt	105,6										
Serie	104,8										
Totalt	210,4										

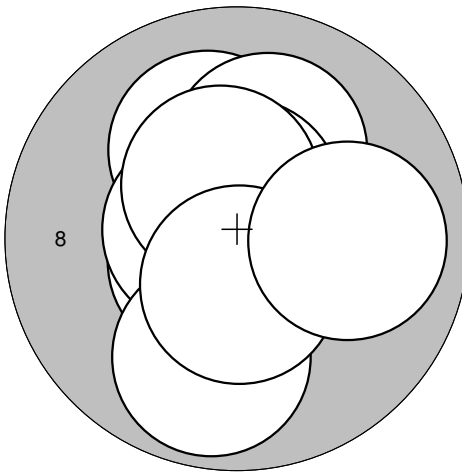
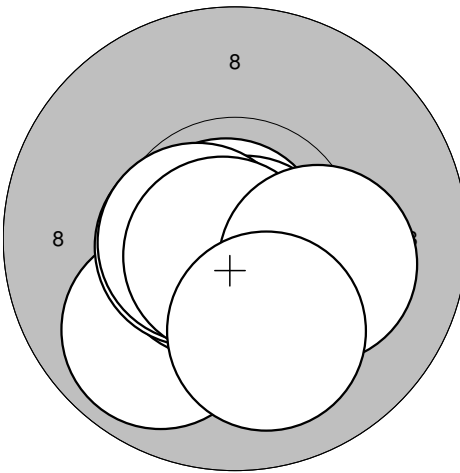
<p>60 shot</p> 	<p>21: 10,5* ↗                  22: 10,3* →                  23: 10,3* ↗                  24: 10,6* ↗                  25: 10,3* ↓                  26: 10,4* ↓                  27: 10,6* ↑                  28: 10,1 ↑                  29: 10,3* ↘                  30: 10,6* →</p> <table border="1" style="width:100%; border-collapse: collapse;"> <tr><td>Serie</td><td style="text-align: right;">104,0</td></tr> <tr><td>Totalt</td><td style="text-align: right;">314,4</td></tr> </table>	Serie	104,0	Totalt	314,4	<p>60 shot</p> 	<p>31: 10,6* ↑                  32: 10,1 →                  33: 10,4* →                  34: 10,5* ↖                  35: 10,4* ←                  36: 10,6* ↓                  37: 10,0 ↖                  38: 10,4* ↑                  39: 10,7* →                  40: 10,6* ↘</p> <table border="1" style="width:100%; border-collapse: collapse;"> <tr><td>Serie</td><td style="text-align: right;">104,3</td></tr> <tr><td>Totalt</td><td style="text-align: right;">418,7</td></tr> </table>	Serie	104,3	Totalt	418,7
Serie	104,0										
Totalt	314,4										
Serie	104,3										
Totalt	418,7										

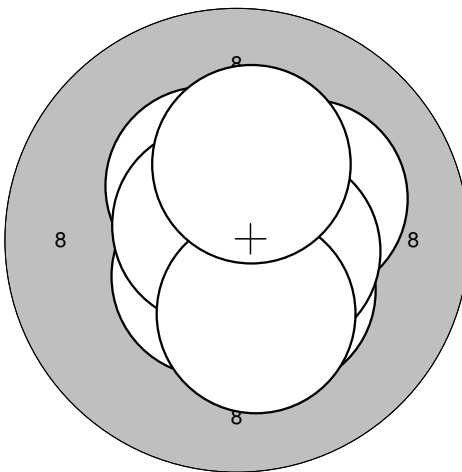
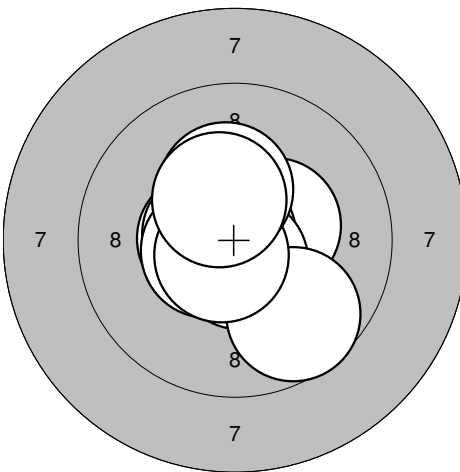
<p>Sight</p> 	<p>1: 10,0 ↗                  2: 10,5* ↘                  3: 9,6 ↗                  4: 9,2 ↗                  5: 9,7 ↗                  6: 10,6* ↖                  7: 10,1 ↗                  8: 10,3* ↘                  9: 10,8* ↖                  10: 10,4* ↖</p> <table border="1" style="width:100%; border-collapse: collapse;"> <tr> <td style="text-align: right;">Serie</td> <td style="text-align: right;">101,2</td> </tr> <tr> <td style="text-align: right;">Totalt</td> <td style="text-align: right;">0,0</td> </tr> </table>	Serie	101,2	Totalt	0,0	<p>Sight</p> 	<p>11: 10,4* ↗                  12: 10,6* ↘                  13: 10,7* ↖</p> <table border="1" style="width:100%; border-collapse: collapse;"> <tr> <td style="text-align: right;">Serie</td> <td style="text-align: right;">31,7</td> </tr> <tr> <td style="text-align: right;">Totalt</td> <td style="text-align: right;">0,0</td> </tr> </table>	Serie	31,7	Totalt	0,0
Serie	101,2										
Totalt	0,0										
Serie	31,7										
Totalt	0,0										

<p>60 shot</p> 	<p>1: 10,6* ↗                  2: 10,7* ↘                  3: 10,3* ↗                  4: 10,6* ↖                  5: 10,6* ↘                  6: 10,5* ↗                  7: 10,0 ↘                  8: 10,8* ↖                  9: 10,3* ↘                  10: 10,4* ↘</p> <table border="1" style="width:100%; border-collapse: collapse;"> <tr> <td style="text-align: right;">Serie</td> <td style="text-align: right;">104,8</td> </tr> <tr> <td style="text-align: right;">Totalt</td> <td style="text-align: right;">104,8</td> </tr> </table>	Serie	104,8	Totalt	104,8	<p>60 shot</p> 	<p>11: 10,7* ↘                  12: 10,6* ↖                  13: 10,2* ↘                  14: 10,6* ↘                  15: 10,4* ↘                  16: 10,5* ↗                  17: 10,8* →                  18: 10,2* ↘                  19: 10,2* ↘                  20: 10,0 ↘</p> <table border="1" style="width:100%; border-collapse: collapse;"> <tr> <td style="text-align: right;">Serie</td> <td style="text-align: right;">104,2</td> </tr> <tr> <td style="text-align: right;">Totalt</td> <td style="text-align: right;">209,0</td> </tr> </table>	Serie	104,2	Totalt	209,0
Serie	104,8										
Totalt	104,8										
Serie	104,2										
Totalt	209,0										

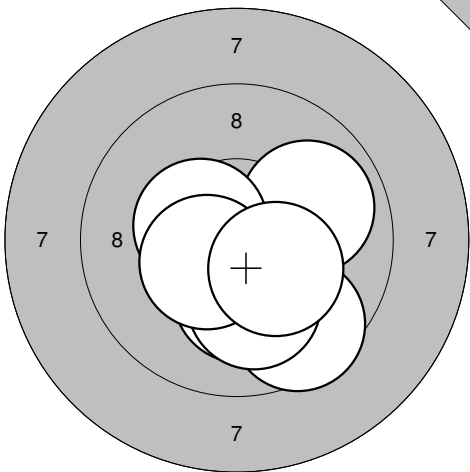
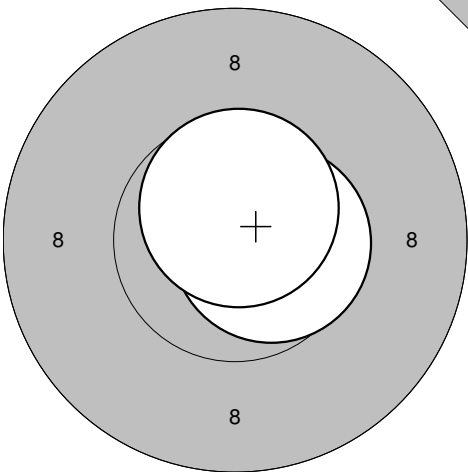
<p>60 shot</p> 	<p>21: 10,5* ↘                  22: 10,6* ↘                  23: 10,1 ↘                  24: 10,4* ↘                  25: 10,1 ↘                  26: 10,2* ↗                  27: 10,3* ↖                  28: 10,7* ↖                  29: 10,7* ↘                  30: 10,7* →</p> <table border="1" style="width:100%; border-collapse: collapse;"> <tr> <td style="text-align: right;">Serie</td> <td style="text-align: right;">104,3</td> </tr> <tr> <td style="text-align: right;">Totalt</td> <td style="text-align: right;">313,3</td> </tr> </table>	Serie	104,3	Totalt	313,3	<p>60 shot</p> 	<p>31: 10,1 ↘                  32: 10,1 ↖                  33: 10,1 ↖                  34: 10,4* ↗                  35: 10,4* ↖                  36: 10,5* ↗                  37: 10,1 ↖                  38: 10,8* ↖                  39: 10,2* ↘                  40: 10,2* ↘</p> <table border="1" style="width:100%; border-collapse: collapse;"> <tr> <td style="text-align: right;">Serie</td> <td style="text-align: right;">102,9</td> </tr> <tr> <td style="text-align: right;">Totalt</td> <td style="text-align: right;">416,2</td> </tr> </table>	Serie	102,9	Totalt	416,2
Serie	104,3										
Totalt	313,3										
Serie	102,9										
Totalt	416,2										

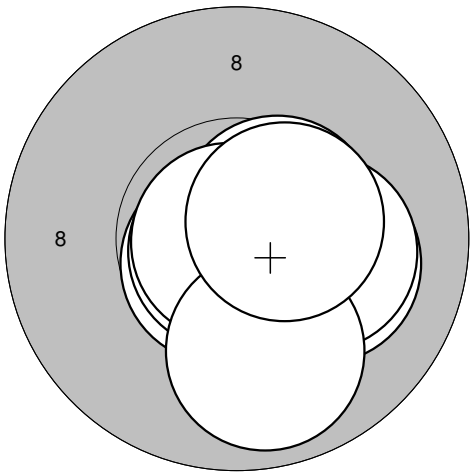
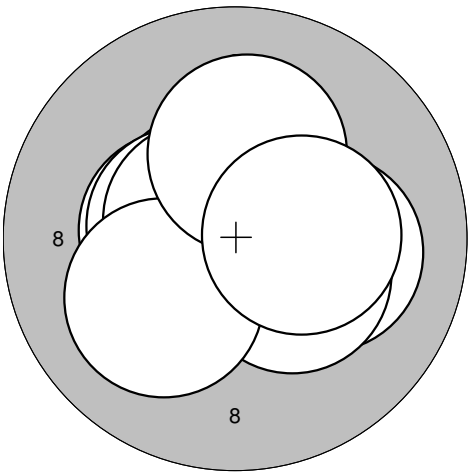
<p>Sight</p> 	<p>1: 10,0 →</p> <p>2: 10,1 ↗</p> <p>3: 9,3 →</p> <p>4: 9,9 →</p> <p>5: 10,6* ↘</p> <p>6: 10,9* ↑</p> <p>7: 9,8 ↑</p> <p>8: 10,5* →</p> <p>9: 10,5* ←</p> <p>10: 10,4* ↗</p>	<p>Sight</p> 
Serie 102,0	Totalt 0,0	Serie 10,0
Totalt 0,0		Totalt 0,0

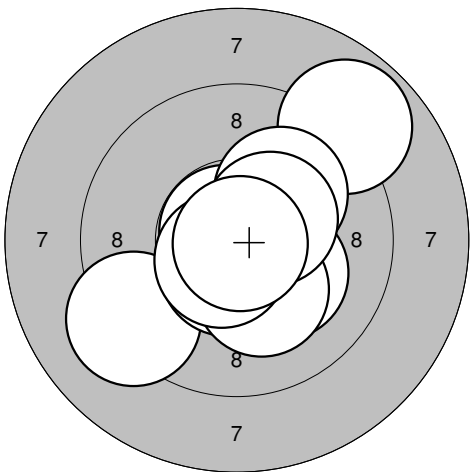
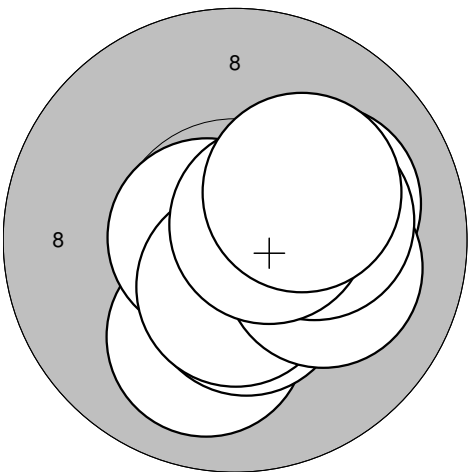
<p>60 shot</p> 	<p>1: 10,8* ↖</p> <p>2: 10,1 ↑</p> <p>3: 10,1 ↑</p> <p>4: 10,6* ↙</p> <p>5: 10,6* ←</p> <p>6: 10,6* ↑</p> <p>7: 10,4* ↑</p> <p>8: 9,9 ↓</p> <p>9: 10,5* ↓</p> <p>10: 9,9 →</p>	<p>60 shot</p> 
Serie 103,5	Totalt 103,5	Serie 105,2
Totalt 103,5		Totalt 208,7

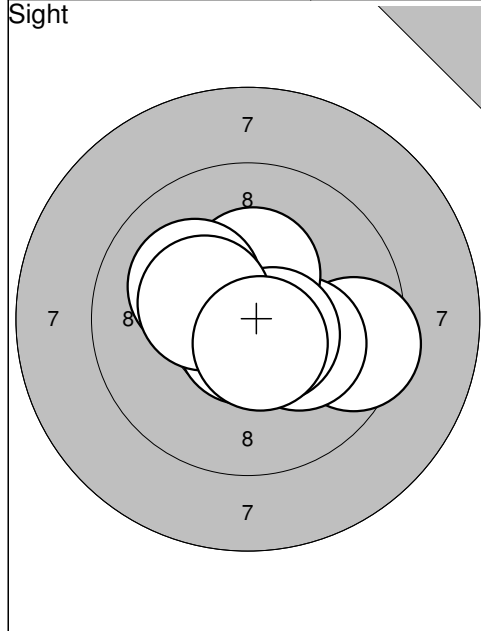
<p>60 shot</p> 	<p>21: 10,5* ↓</p> <p>22: 10,4* ↓</p> <p>23: 10,4* ↑</p> <p>24: 10,2* ↗</p> <p>25: 10,5* ↙</p> <p>26: 10,4* ↑</p> <p>27: 10,5* →</p> <p>28: 10,7* ↖</p> <p>29: 10,3* ↓</p> <p>30: 10,3* ↑</p>	<p>60 shot</p> 
Serie 104,2	Totalt 312,9	Serie 104,7
Totalt 312,9		Totalt 417,6



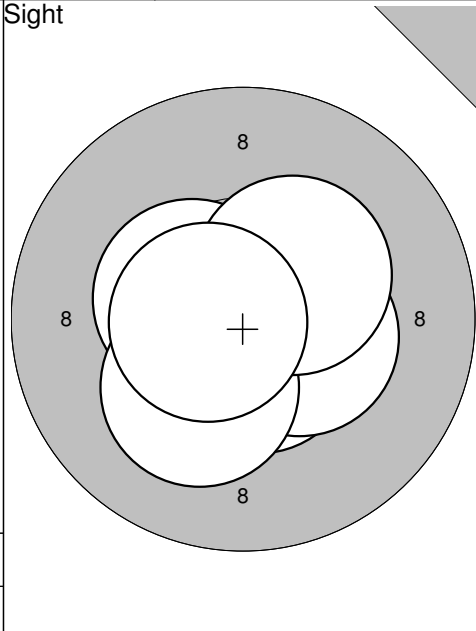
<p>Sight</p> 	<p>Sight</p> 	<p>11: 10,6* →</p> <p>12: 10,7* ↑</p>
Serie 102,7 Totalt 0,0	Serie 21,3 Totalt 0,0	

<p>60 shot</p> 	<p>60 shot</p> 	<p>11: 10,7* ↓</p> <p>12: 10,1 →</p> <p>13: 10,4* ←</p> <p>14: 10,6* ↗</p> <p>15: 10,3* ↘</p> <p>16: 10,5* ←</p> <p>17: 10,6* ↖</p> <p>18: 10,1 ↙</p> <p>19: 10,2* ↑</p> <p>20: 10,3* →</p>
Serie 104,6 Totalt 104,6	Serie 103,8 Totalt 208,4	

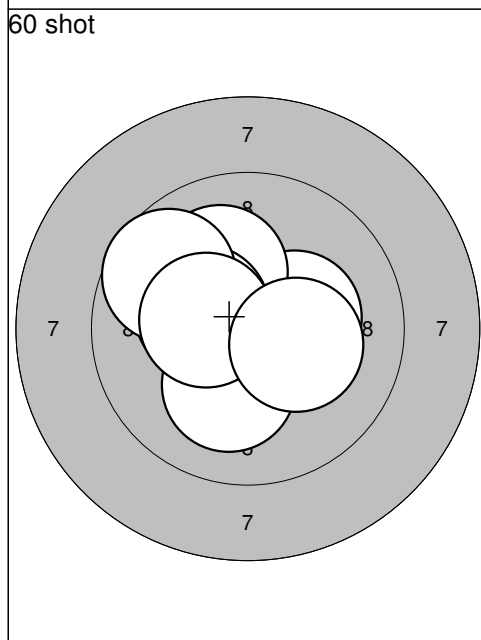
<p>60 shot</p> 	<p>60 shot</p> 	<p>31: 10,6* ↘</p> <p>32: 10,1 →</p> <p>33: 10,0 ↓</p> <p>34: 10,4* ↓</p> <p>35: 10,7* ←</p> <p>36: 10,5* ↓</p> <p>37: 10,1 →</p> <p>38: 10,2* →</p> <p>39: 10,6* →</p> <p>40: 10,2* ↗</p>
Serie 101,8 Totalt 310,2	Serie 103,4 Totalt 413,6	



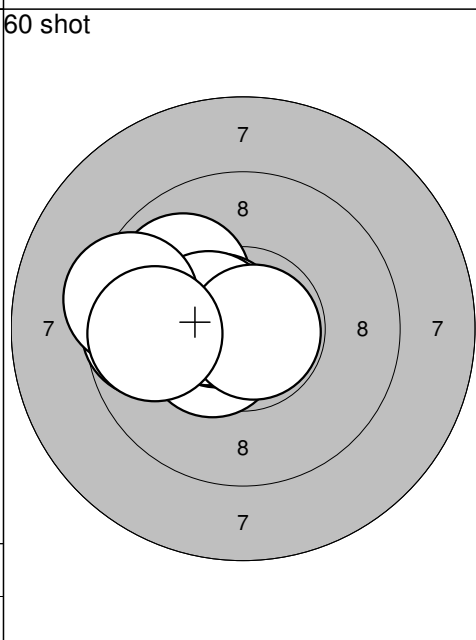
1: 10,4*	↖
2: 10,7*	→
3: 9,5	→
4: 10,2*	↘
5: 10,4*	↑
6: 10,1	↖
7: 10,7*	↓
8: 10,6*	↘
9: 10,3*	↖
10: 10,6*	↘
Serie	103,5
Totalt	0,0



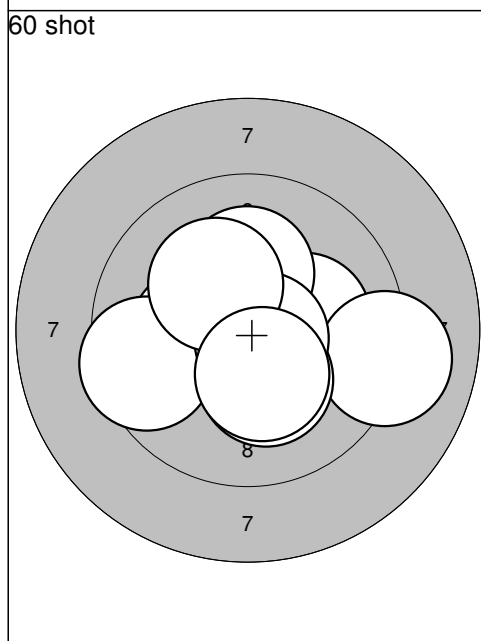
11: 10,6*	↓
12: 10,4*	→
13: 10,5*	↖
14: 10,2*	↘
15: 10,4*	↗
16: 10,6*	←
Serie	62,7
Totalt	0,0



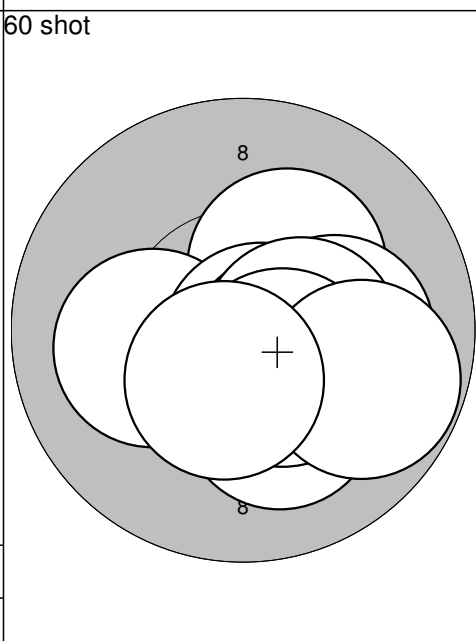
1: 10,3*	→
2: 10,4*	↗
3: 10,7*	↖
4: 10,4*	↖
5: 10,1	↖
6: 10,3*	↖
7: 9,7	↗
8: 10,2*	↓
9: 10,4*	↖
10: 10,3*	→
Serie	102,8
Totalt	102,8



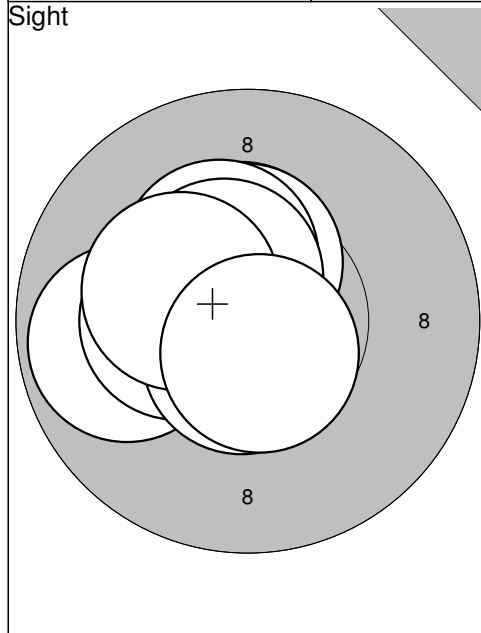
11: 10,5*	↖
12: 9,7	↖
13: 9,9	↗
14: 10,6*	↖
15: 10,5*	↖
16: 10,6*	↖
17: 10,5*	↖
18: 10,8*	→
19: 9,4	↖
20: 9,8	↖
Serie	102,3
Totalt	205,1



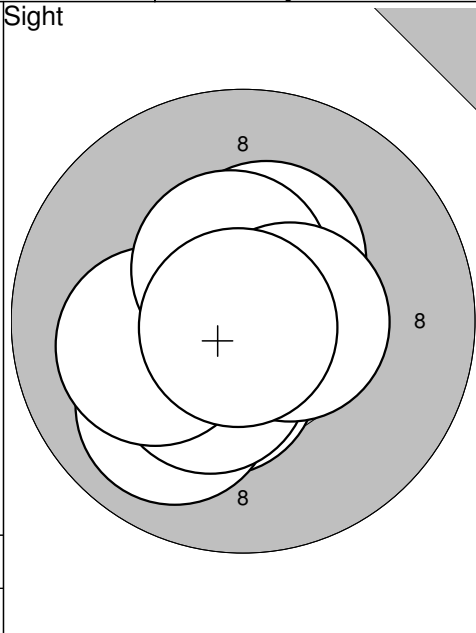
21: 10,8*	↖
22: 10,3*	↖
23: 10,2*	→
24: 9,5	↖
25: 9,1	→
26: 10,2*	↓
27: 10,2*	↑
28: 10,7*	↘
29: 10,2*	↖
30: 10,3*	↘
Serie	101,5
Totalt	306,6



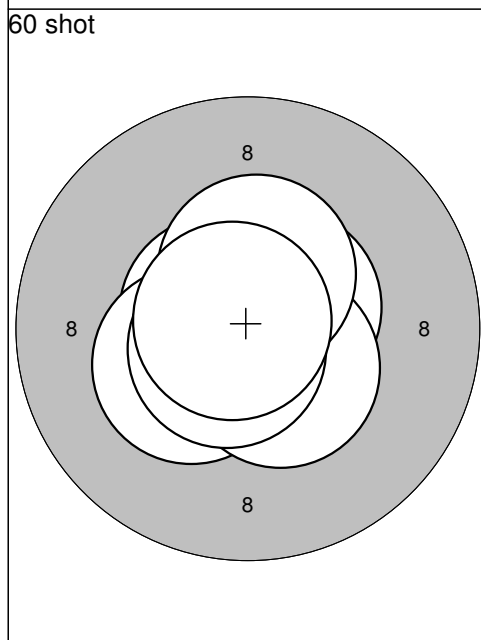
31: 10,3*	↗
32: 10,1	↖
33: 10,1	→
34: 10,8*	↘
35: 10,2*	↓
36: 10,5*	↘
37: 10,4*	→
38: 10,5*	↘
39: 9,8	→
40: 10,5*	↓
Serie	103,2
Totalt	409,8



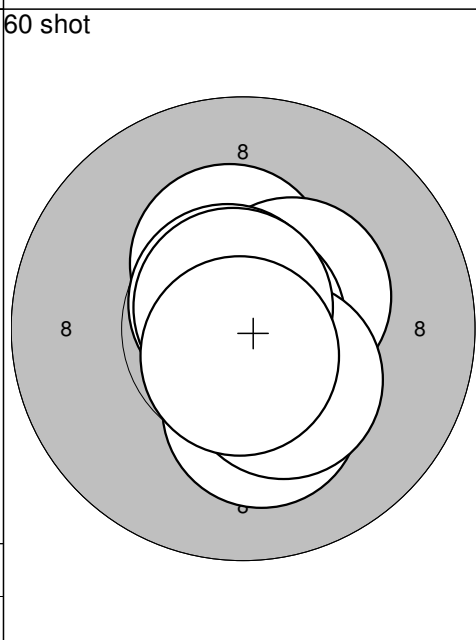
1: 10,5*	←
2: 10,4*	↑
3: 10,4*	↑
4: 10,3*	↑
5: 10,5*	↑
6: 9,8	←
7: 10,3*	←
8: 10,6*	↓
9: 10,3*	↖
10: 10,6*	↓
Serie	103,7
Totalt	0,0



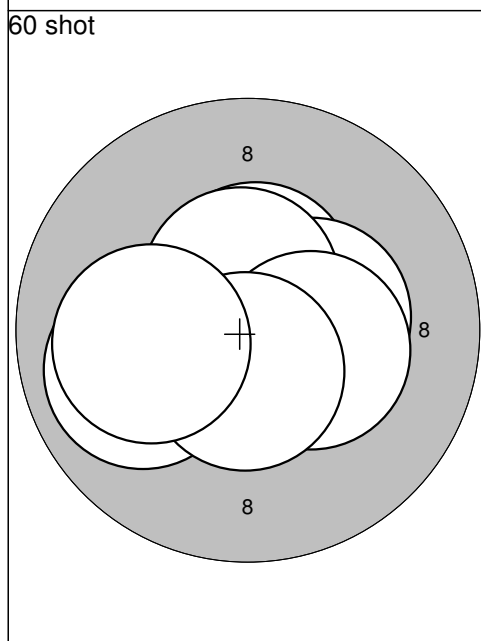
11: 10,4*	↓
12: 10,1	↙
13: 10,6*	↖
14: 10,0	↙
15: 10,4*	↑
16: 10,4*	↙
17: 10,1	←
18: 10,5*	↑
19: 10,5*	→
20: 10,9*	↙
Serie	103,9
Totalt	0,0



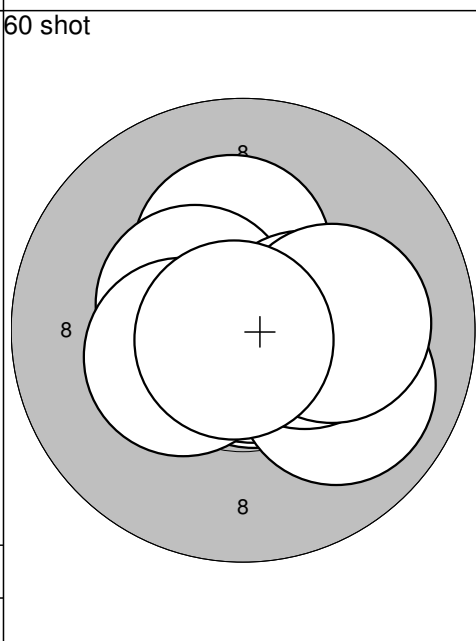
1: 10,7*	↖
2: 10,7*	↑
3: 10,9*	↖
4: 10,7*	↖
5: 10,3*	↖
6: 10,6*	↗
7: 10,5*	↘
8: 10,5*	↑
9: 10,7*	↖
10: 10,8*	↖
Serie	106,4
Totalt	106,4



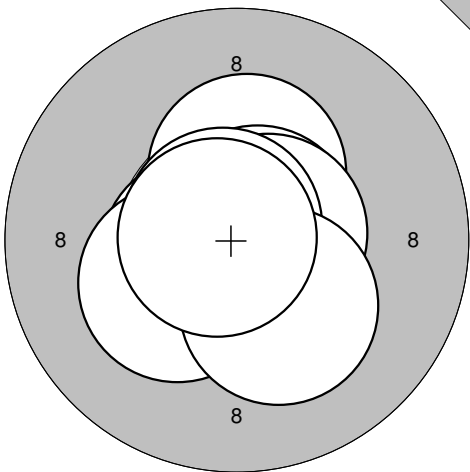
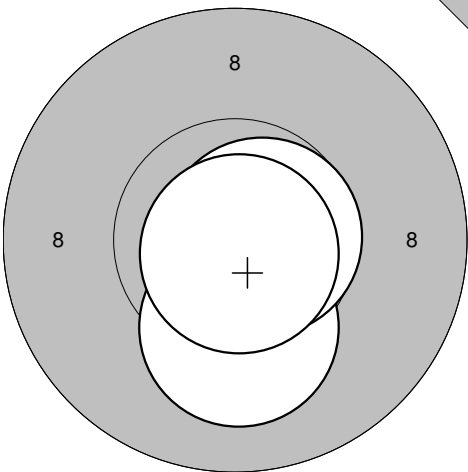
11: 10,8*	↓
12: 10,6*	↘
13: 10,2*	↓
14: 10,4*	↑
15: 10,4*	↗
16: 10,7*	↖
17: 10,9*	↖
18: 10,4*	↘
19: 10,7*	↖
20: 10,7*	↓
Serie	105,8
Totalt	212,2

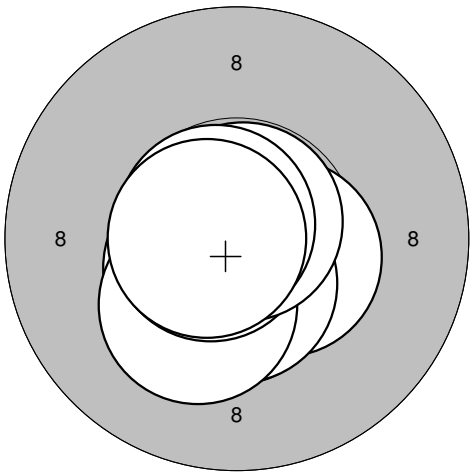
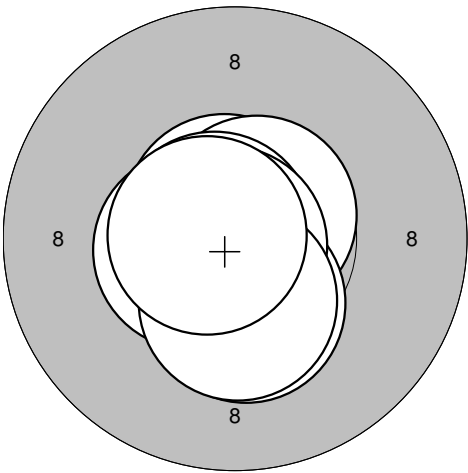


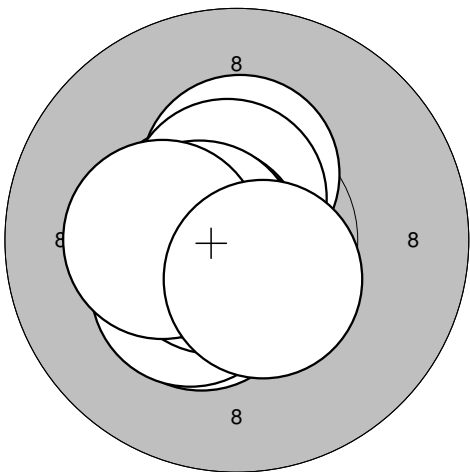
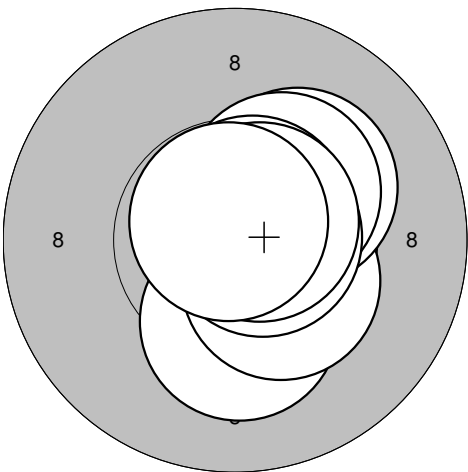
21: 9,9	←
22: 10,7*	↘
23: 10,5*	↑
24: 10,8*	↓
25: 10,7*	←
26: 10,4*	→
27: 10,6*	↑
28: 10,3*	→
29: 10,6*	↓
30: 10,1	←
Serie	104,6
Totalt	316,8

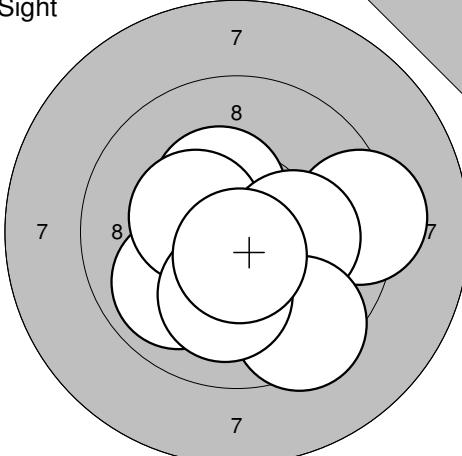
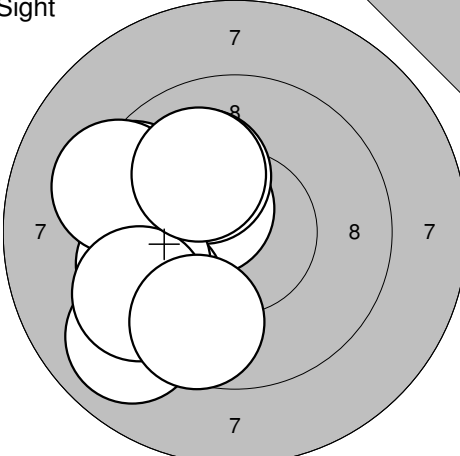


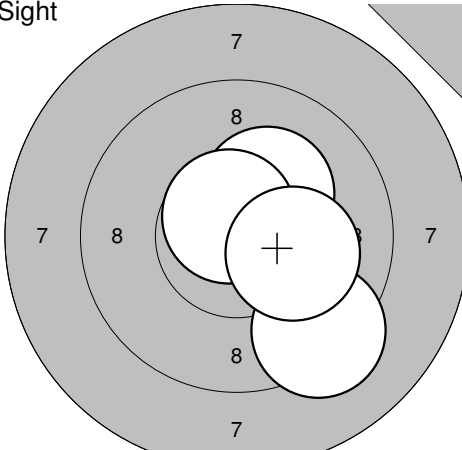
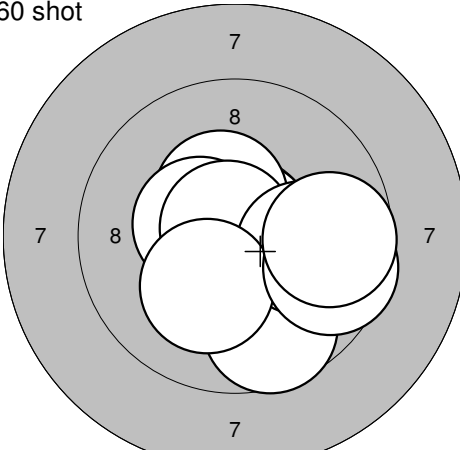
31: 10,7*	→
32: 10,8*	↓
33: 10,8*	↓
34: 10,0	↘
35: 10,3*	↑
36: 10,5*	↖
37: 10,4*	→
38: 10,1	→
39: 10,4*	↖
40: 10,8*	↙
Serie	104,8
Totalt	421,6

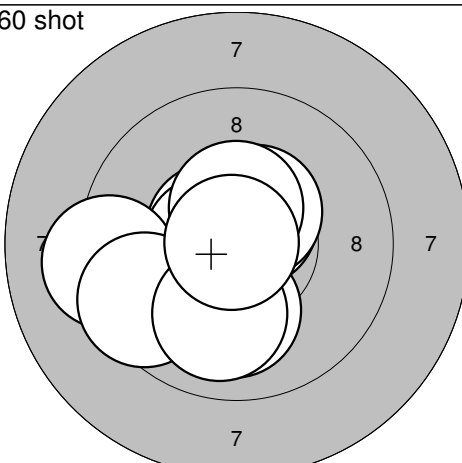
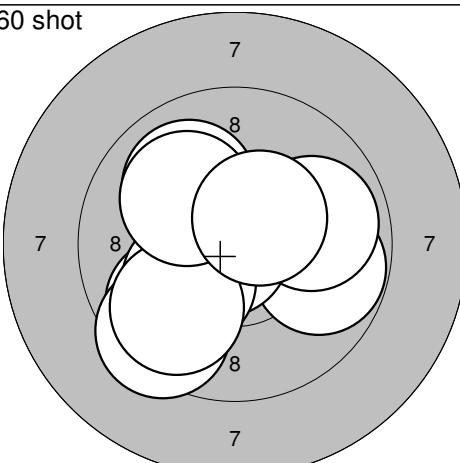
<p>Sight</p> 	<p>1: 10,5* ↑ 2: 10,3* ↑ 3: 10,4* ↙ 4: 10,6* ← 5: 10,7* ↗ 6: 10,7* → 7: 10,8* ↖ 8: 10,3* ↙ 9: 10,2* ↓ 10: 10,8* ←</p> <table border="1" style="width:100%; border-collapse: collapse;"> <tr><td style="text-align: right;">Serie</td><td style="text-align: right;">105,3</td></tr> <tr><td style="text-align: right;">Totalt</td><td style="text-align: right;">0,0</td></tr> </table>	Serie	105,3	Totalt	0,0	<p>Sight</p> 	<p>11: 10,2* ↓ 12: 10,7* → 13: 10,8* ↓</p> <table border="1" style="width:100%; border-collapse: collapse;"> <tr><td style="text-align: right;">Serie</td><td style="text-align: right;">31,7</td></tr> <tr><td style="text-align: right;">Totalt</td><td style="text-align: right;">0,0</td></tr> </table>	Serie	31,7	Totalt	0,0
Serie	105,3										
Totalt	0,0										
Serie	31,7										
Totalt	0,0										

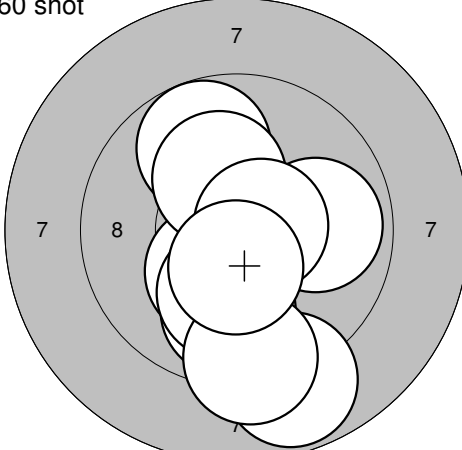
<p>60 shot</p> 	<p>1: 10,5* → 2: 10,5* ↓ 3: 10,5* ↙ 4: 10,7* ← 5: 10,5* ↓ 6: 10,3* ↙ 7: 10,7* ← 8: 10,8* ↑ 9: 10,7* ↖ 10: 10,7* ←</p> <table border="1" style="width:100%; border-collapse: collapse;"> <tr><td style="text-align: right;">Serie</td><td style="text-align: right;">105,9</td></tr> <tr><td style="text-align: right;">Totalt</td><td style="text-align: right;">105,9</td></tr> </table>	Serie	105,9	Totalt	105,9	<p>60 shot</p> 	<p>11: 10,7* ↖ 12: 10,7* ↙ 13: 10,7* ↗ 14: 10,4* ↓ 15: 10,7* ↙ 16: 10,8* ← 17: 10,9* ↙ 18: 10,6* ← 19: 10,4* ↓ 20: 10,7* ←</p> <table border="1" style="width:100%; border-collapse: collapse;"> <tr><td style="text-align: right;">Serie</td><td style="text-align: right;">106,6</td></tr> <tr><td style="text-align: right;">Totalt</td><td style="text-align: right;">212,5</td></tr> </table>	Serie	106,6	Totalt	212,5
Serie	105,9										
Totalt	105,9										
Serie	106,6										
Totalt	212,5										

<p>60 shot</p> 	<p>21: 10,4* ↙ 22: 10,3* ↙ 23: 10,6* ← 24: 10,4* ↑ 25: 10,6* ↑ 26: 10,7* ← 27: 10,7* ↙ 28: 10,6* ← 29: 10,3* ← 30: 10,5* ↓</p> <table border="1" style="width:100%; border-collapse: collapse;"> <tr><td style="text-align: right;">Serie</td><td style="text-align: right;">105,1</td></tr> <tr><td style="text-align: right;">Totalt</td><td style="text-align: right;">317,6</td></tr> </table>	Serie	105,1	Totalt	317,6	<p>60 shot</p> 	<p>31: 10,7* → 32: 10,2* ↓ 33: 10,6* → 34: 10,4* ↘ 35: 10,2* ↗ 36: 10,3* ↗ 37: 10,7* ↗ 38: 10,7* → 39: 10,7* ↗ 40: 10,8* ↑</p> <table border="1" style="width:100%; border-collapse: collapse;"> <tr><td style="text-align: right;">Serie</td><td style="text-align: right;">105,3</td></tr> <tr><td style="text-align: right;">Totalt</td><td style="text-align: right;">422,9</td></tr> </table>	Serie	105,3	Totalt	422,9
Serie	105,1										
Totalt	317,6										
Serie	105,3										
Totalt	422,9										

<p>Sight</p> 	<p>1: 10,9* ↓                  2: 9,9 ↙                  3: 10,4* ↗                  4: 10,4* ↓                  5: 9,3 →                  6: 10,4* ↖                  7: 10,2* →                  8: 9,5 ↘                  9: 10,1 ↓                  10: 10,6* ↓</p> <p>Serie 101,7 Totalt 0,0</p>	<p>Sight</p> 	<p>11: 10,5* ↗                  12: 10,1 ↗                  13: 9,7 ↙                  14: 9,5 ↖                  15: 9,7 ↖                  16: 9,3 ↖                  17: 9,0 ↙                  18: 9,4 ↙                  19: 9,6 ↘                  20: 10,0 ↗</p> <p>Serie 96,8 Totalt 0,0</p>
---	---	---	--

<p>Sight</p> 	<p>21: 10,3* ↗                  22: 9,3 ↘                  23: 10,7* ↗                  24: 10,2* →</p> <p>Serie 40,5 Totalt 0,0</p>	<p>60 shot</p> 	<p>1: 10,8* ↗                  2: 10,4* ↗                  3: 10,5* ↖                  4: 10,4* ↘                  5: 9,7 ↘                  6: 10,8* ↗                  7: 10,0 →                  8: 10,2* ↓                  9: 9,6 →                  10: 9,7 →</p> <p>Serie 102,1 Totalt 102,1</p>
--	--	--	---

<p>60 shot</p> 	<p>11: 10,6* ↖                  12: 10,6* ↗                  13: 10,6* ←                  14: 9,2 ←                  15: 10,5* ↗                  16: 9,5 ↖                  17: 10,5* ↗                  18: 10,1 ↓                  19: 10,0 ↓                  20: 10,9* ↖</p> <p>Serie 102,5 Totalt 204,6</p>	<p>60 shot</p> 	<p>21: 9,8 →                  22: 9,8 ↙                  23: 9,9 →                  24: 10,0 ↗                  25: 10,8* ↖                  26: 10,2* ↙                  27: 9,4 ↙                  28: 9,8 ↙                  29: 10,1 ↗                  30: 10,5* ↗</p> <p>Serie 100,3 Totalt 304,9</p>
---	---	---	---

<p>60 shot</p> 	<p>31: 8,8 ↓                  32: 10,3* ↘                  33: 9,9 ↓                  34: 9,9 →                  35: 9,8 ↗                  36: 10,2* ↗                  37: 10,1 ↓                  38: 9,2 ↓                  39: 10,6* →                  40: 10,5* ↓</p> <p>Serie 99,3 Totalt 404,2</p>	
---	---	--

Umeå

2011-04-09

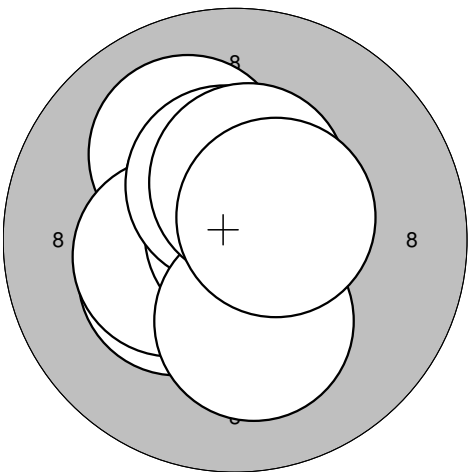
UME-Kulan 2011

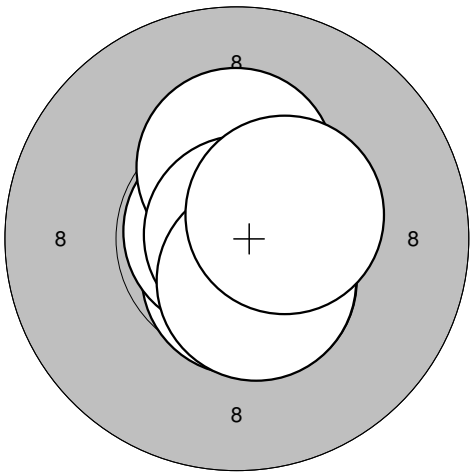
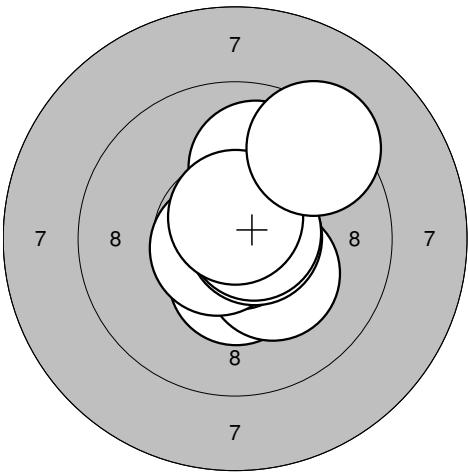
Umeå skytteallians

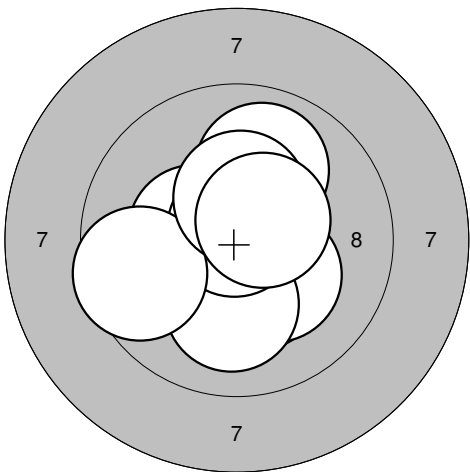
<p>Sight</p>	<p>1: 9,9    ↓</p> <p>2: 10,1   ↓</p> <p>3: 10,5*  ↓</p> <p>4: 10,3*  →</p> <p>5: 10,2*  ↗</p> <p>6: 10,2*  ↓</p> <p>7: 10,4*  ↓</p> <p>8: 10,3*  ↓</p> <p>9: 10,7*  ↗</p> <p>10: 10,3* ←</p>	<p>Sight</p>
	<p>11: 10,6* ↘</p> <p>12: 10,3* →</p> <p>13: 10,6* ←</p>	
Serie    102,9		Serie    31,5
Totalt    0,0		Totalt    0,0

<p>60 shot</p>	<p>1: 10,5*  ↗</p> <p>2: 9,7     ↗</p> <p>3: 10,6*  ←</p> <p>4: 10,4*  ↑</p> <p>5: 10,6*  ←</p> <p>6: 10,8*  ↓</p> <p>7: 10,9*  ↙</p> <p>8: 10,6*  ↑</p> <p>9: 10,9*  ↓</p> <p>10: 10,5* ←</p>	<p>60 shot</p>
	<p>11: 10,4* ↗</p> <p>12: 10,3* ↑</p> <p>13: 10,2* ↙</p> <p>14: 10,2* ↑</p> <p>15: 10,6* ↑</p> <p>16: 10,1  ↗</p> <p>17: 10,4* ↙</p> <p>18: 10,1  ←</p> <p>19: 10,4* ←</p> <p>20: 10,9* ↗</p>	
Serie    105,5		Serie    103,6
Totalt    105,5		Totalt    209,1

<p>60 shot</p>	<p>21: 10,5* ↗</p> <p>22: 10,5* ↙</p> <p>23: 10,6* ←</p> <p>24: 10,5* ↑</p> <p>25: 10,2* ↗</p> <p>26: 10,4* →</p> <p>27: 10,4* ↑</p> <p>28: 10,2* ↗</p> <p>29: 10,2* ↗</p> <p>30: 10,3* ↗</p>	<p>60 shot</p>
	<p>31: 10,8* ↗</p> <p>32: 10,7* ↑</p> <p>33: 10,3* →</p> <p>34: 10,5* ↘</p> <p>35: 10,8* ↓</p> <p>36: 10,5* →</p> <p>37: 10,5* ↑</p> <p>38: 10,2* ↘</p> <p>39: 10,7* ↗</p> <p>40: 10,7* ↑</p>	
Serie    103,8		Serie    105,7
Totalt    312,9		Totalt    418,6

<p>Sight</p> 	<p>60 shot</p> <table style="width:100%; border-collapse: collapse;"> <tr><td>1: 10,8*</td><td>↘</td></tr> <tr><td>2: 10,4*</td><td>→</td></tr> <tr><td>3: 10,5*</td><td>↘</td></tr> <tr><td>4: 10,6*</td><td>↗</td></tr> <tr><td>5: 10,7*</td><td>↘</td></tr> <tr><td>6: 10,5*</td><td>↗</td></tr> <tr><td>7: 10,5*</td><td>→</td></tr> <tr><td>8: 10,9*</td><td>↗</td></tr> <tr><td>9: 10,5*</td><td>↘</td></tr> </table> <table style="width:100%; border-collapse: collapse; margin-top: 5px;"> <tr><td style="border-top: 1px solid black;">Serie</td><td style="border-top: 1px solid black;">95,4</td></tr> <tr><td style="border-top: 1px solid black;">Totalt</td><td style="border-top: 1px solid black;">0,0</td></tr> </table>	1: 10,8*	↘	2: 10,4*	→	3: 10,5*	↘	4: 10,6*	↗	5: 10,7*	↘	6: 10,5*	↗	7: 10,5*	→	8: 10,9*	↗	9: 10,5*	↘	Serie	95,4	Totalt	0,0	 <table style="width:100%; border-collapse: collapse; margin-top: 5px;"> <tr><td style="border-top: 1px solid black;">Serie</td><td style="border-top: 1px solid black;">104,3</td></tr> <tr><td style="border-top: 1px solid black;">Totalt</td><td style="border-top: 1px solid black;">104,3</td></tr> </table>	Serie	104,3	Totalt	104,3
1: 10,8*	↘																											
2: 10,4*	→																											
3: 10,5*	↘																											
4: 10,6*	↗																											
5: 10,7*	↘																											
6: 10,5*	↗																											
7: 10,5*	→																											
8: 10,9*	↗																											
9: 10,5*	↘																											
Serie	95,4																											
Totalt	0,0																											
Serie	104,3																											
Totalt	104,3																											

<p>60 shot</p> 	<p>60 shot</p> <table style="width:100%; border-collapse: collapse;"> <tr><td>11: 10,7*</td><td>↗</td></tr> <tr><td>12: 10,9*</td><td>↘</td></tr> <tr><td>13: 10,6*</td><td>↓</td></tr> <tr><td>14: 10,8*</td><td>↗</td></tr> <tr><td>15: 10,8*</td><td>↖</td></tr> <tr><td>16: 10,3*</td><td>↗</td></tr> <tr><td>17: 10,5*</td><td>↓</td></tr> <tr><td>18: 10,9*</td><td>↗</td></tr> <tr><td>19: 10,5*</td><td>↓</td></tr> <tr><td>20: 10,5*</td><td>↗</td></tr> </table> <table style="width:100%; border-collapse: collapse; margin-top: 5px;"> <tr><td style="border-top: 1px solid black;">Serie</td><td style="border-top: 1px solid black;">106,5</td></tr> <tr><td style="border-top: 1px solid black;">Totalt</td><td style="border-top: 1px solid black;">210,8</td></tr> </table>	11: 10,7*	↗	12: 10,9*	↘	13: 10,6*	↓	14: 10,8*	↗	15: 10,8*	↖	16: 10,3*	↗	17: 10,5*	↓	18: 10,9*	↗	19: 10,5*	↓	20: 10,5*	↗	Serie	106,5	Totalt	210,8	<p>60 shot</p>  <table style="width:100%; border-collapse: collapse; margin-top: 5px;"> <tr><td style="border-top: 1px solid black;">Serie</td><td style="border-top: 1px solid black;">104,6</td></tr> <tr><td style="border-top: 1px solid black;">Totalt</td><td style="border-top: 1px solid black;">315,4</td></tr> </table>	Serie	104,6	Totalt	315,4
11: 10,7*	↗																													
12: 10,9*	↘																													
13: 10,6*	↓																													
14: 10,8*	↗																													
15: 10,8*	↖																													
16: 10,3*	↗																													
17: 10,5*	↓																													
18: 10,9*	↗																													
19: 10,5*	↓																													
20: 10,5*	↗																													
Serie	106,5																													
Totalt	210,8																													
Serie	104,6																													
Totalt	315,4																													

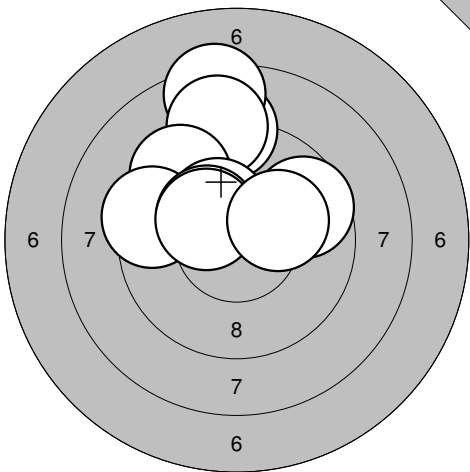
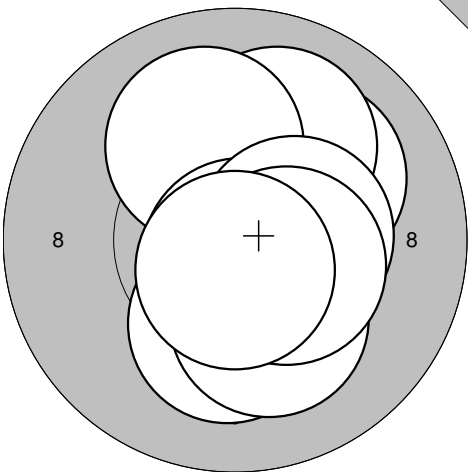
<p>60 shot</p> 	<table style="width:100%; border-collapse: collapse;"> <tr><td>31: 10,4*</td><td>↖</td></tr> <tr><td>32: 10,3*</td><td>↓</td></tr> <tr><td>33: 10,7*</td><td>↓</td></tr> <tr><td>34: 10,0</td><td>↗</td></tr> <tr><td>35: 10,3*</td><td>↘</td></tr> <tr><td>36: 10,1</td><td>↓</td></tr> <tr><td>37: 10,8*</td><td>↗</td></tr> <tr><td>38: 9,6</td><td>↖</td></tr> <tr><td>39: 10,4*</td><td>↗</td></tr> <tr><td>40: 10,5*</td><td>↗</td></tr> </table> <table style="width:100%; border-collapse: collapse; margin-top: 5px;"> <tr><td style="border-top: 1px solid black;">Serie</td><td style="border-top: 1px solid black;">103,1</td></tr> <tr><td style="border-top: 1px solid black;">Totalt</td><td style="border-top: 1px solid black;">418,5</td></tr> </table>	31: 10,4*	↖	32: 10,3*	↓	33: 10,7*	↓	34: 10,0	↗	35: 10,3*	↘	36: 10,1	↓	37: 10,8*	↗	38: 9,6	↖	39: 10,4*	↗	40: 10,5*	↗	Serie	103,1	Totalt	418,5	
31: 10,4*	↖																									
32: 10,3*	↓																									
33: 10,7*	↓																									
34: 10,0	↗																									
35: 10,3*	↘																									
36: 10,1	↓																									
37: 10,8*	↗																									
38: 9,6	↖																									
39: 10,4*	↗																									
40: 10,5*	↗																									
Serie	103,1																									
Totalt	418,5																									

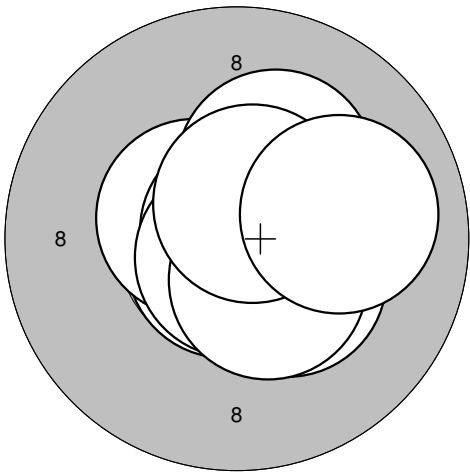
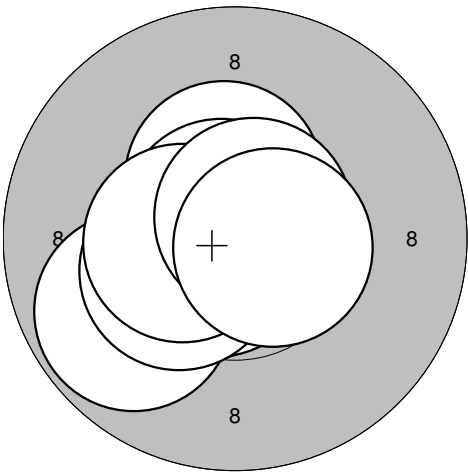
Kyrkås

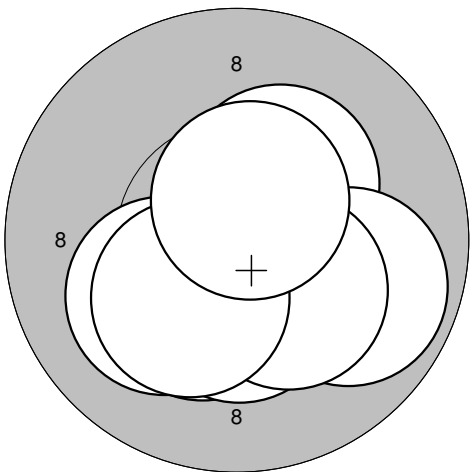
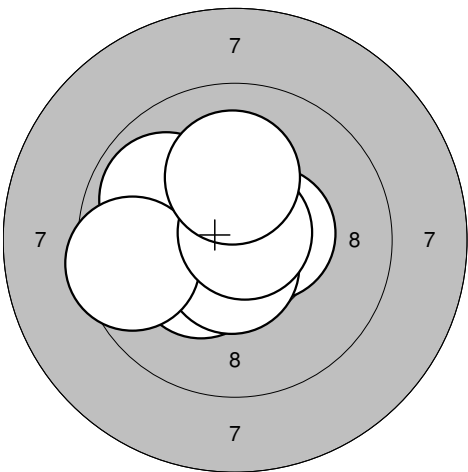
2011-04-09

UME-Kulan 2011

Umeå skytteallians

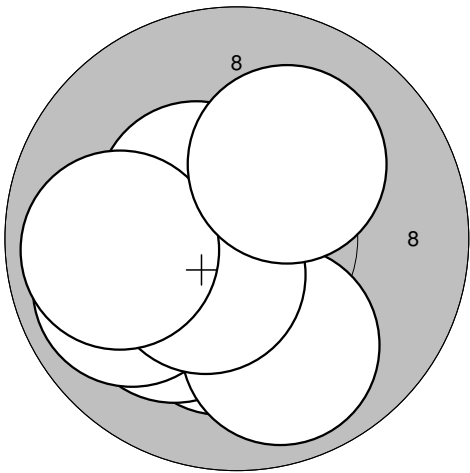
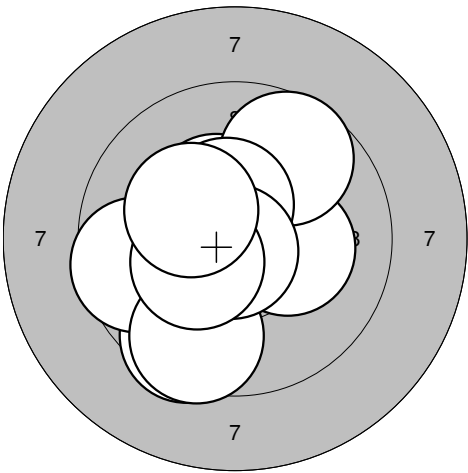
<p>Sight</p> 	<p>1: 9,0    ↑</p> <p>2: 8,3    ↑</p> <p>3: 8,9    ↑</p> <p>4: 9,4    ↗</p> <p>5: 10,3*    ↗</p> <p>6: 9,4    ↖</p> <p>7: 10,3*    ↗</p> <p>8: 10,3*    ↗</p> <p>9: 9,6    →</p> <p>10: 10,1    →</p> <hr/> <p>Serie    95,6</p> <p>Totalt    0,0</p>	<p>Sight</p> 	<p>11: 10,1    ↗</p> <p>12: 10,2*    ↓</p> <p>13: 10,6*    ↑</p> <p>14: 10,0    ↑</p> <p>15: 10,1    ↑</p> <p>16: 10,8*    ↓</p> <p>17: 10,2*    ↓</p> <p>18: 10,4*    →</p> <p>19: 10,4*    ↘</p> <p>20: 10,7*    ↓</p> <hr/> <p>Serie    103,5</p> <p>Totalt    0,0</p>
---	---	---	---

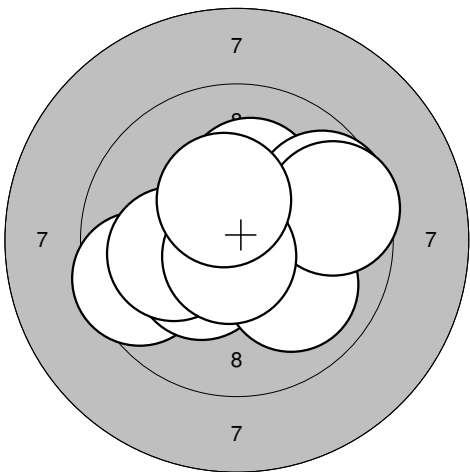
<p>60 shot</p> 	<p>1: 10,7*    ↘</p> <p>2: 10,4*    ↘</p> <p>3: 10,5*    ↗</p> <p>4: 10,4*    ↘</p> <p>5: 10,9*    ↗</p> <p>6: 10,8*    ↓</p> <p>7: 10,2*    ↗</p> <p>8: 10,5*    ↘</p> <p>9: 10,6*    ↗</p> <p>10: 10,0    →</p> <hr/> <p>Serie    105,0</p> <p>Totalt    105,0</p>	<p>60 shot</p> 	<p>11: 10,4*    ↑</p> <p>12: 10,6*    ↖</p> <p>13: 10,7*    ↖</p> <p>14: 10,8*    ↖</p> <p>15: 9,8    ↖</p> <p>16: 10,4*    ↖</p> <p>17: 10,7*    ↗</p> <p>18: 10,5*    ←</p> <p>19: 10,7*    ↗</p> <p>20: 10,6*    →</p> <hr/> <p>Serie    105,2</p> <p>Totalt    210,2</p>
--	--	--	--

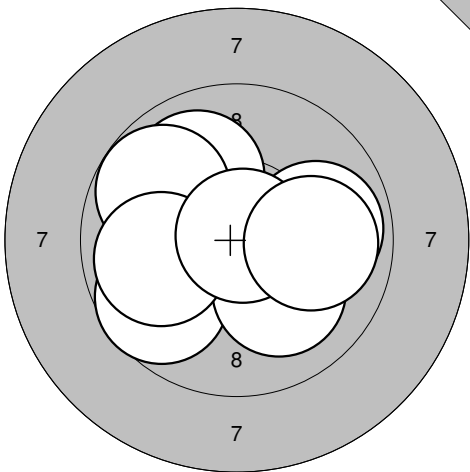
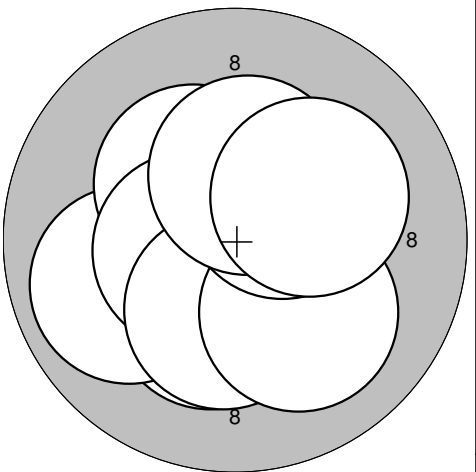
<p>60 shot</p> 	<p>21: 10,3*    ↘</p> <p>22: 10,3*    ↗</p> <p>23: 10,4*    ↘</p> <p>24: 10,4*    ↓</p> <p>25: 10,6*    ↘</p> <p>26: 9,9    →</p> <p>27: 10,3*    ↘</p> <p>28: 10,1    ↖</p> <p>29: 10,3*    ↘</p> <p>30: 10,6*    ↗</p> <hr/> <p>Serie    103,2</p> <p>Totalt    313,4</p>	<p>60 shot</p> 	<p>31: 10,8*    ↘</p> <p>32: 10,5*    →</p> <p>33: 10,3*    ↖</p> <p>34: 10,8*    ↖</p> <p>35: 10,5*    ↖</p> <p>36: 10,6*    ↓</p> <p>37: 9,9    ↖</p> <p>38: 9,6    ←</p> <p>39: 10,8*    ↗</p> <p>40: 10,1    ↑</p> <hr/> <p>Serie    103,9</p> <p>Totalt    417,3</p>
---	---	---	---

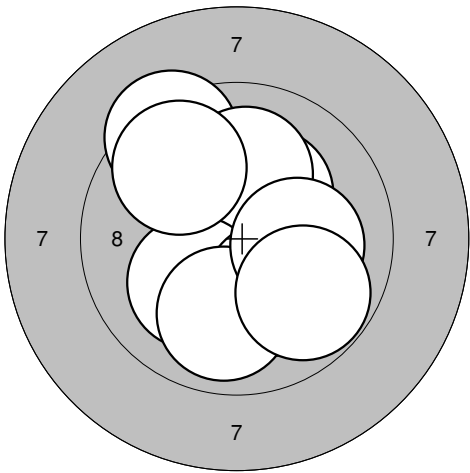
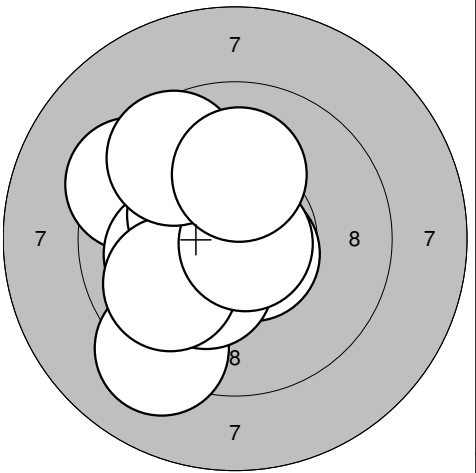


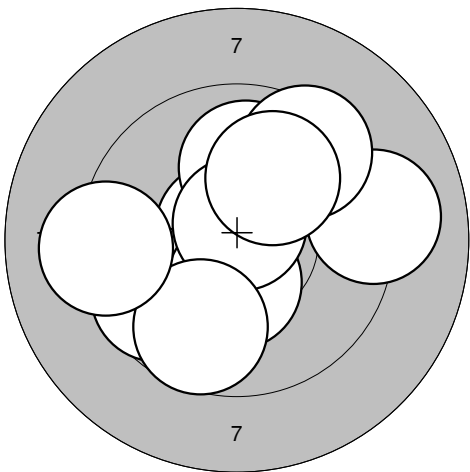
<p>Sight</p> 	<p>1: 10,2* →</p> <p>2: 10,4* ↓</p>	<p>60 shot</p> 	<p>1: 9,8 ↓</p> <p>2: 9,1 →</p> <p>3: 9,8 →</p> <p>4: 10,6* →</p> <p>5: 10,0 ↓</p> <p>6: 10,7* ←</p> <p>7: 8,7 ↓</p> <p>8: 10,2* →</p> <p>9: 9,8 ↓</p> <p>10: 10,8* ↓</p>
Serie 20,6	Totalt 0,0	Serie 99,5	Totalt 99,5

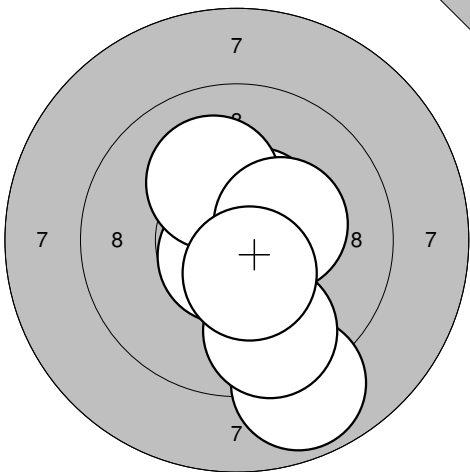
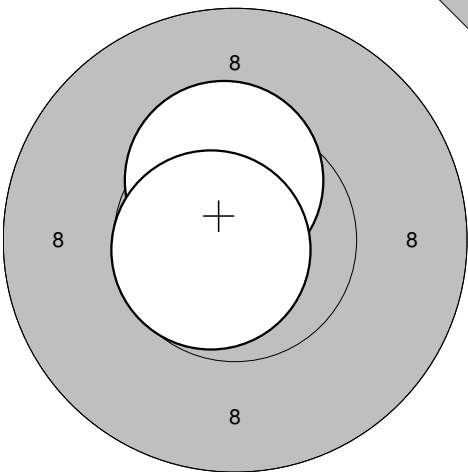
<p>60 shot</p> 	<p>11: 10,2* ↓</p> <p>12: 10,5* ↓</p> <p>13: 10,1 ↙</p> <p>14: 10,3* ←</p> <p>15: 9,9 ←</p> <p>16: 9,9 ↓</p> <p>17: 10,5* ↗</p> <p>18: 10,5* ↓</p> <p>19: 9,9 ←</p> <p>20: 10,1 ↗</p>	<p>60 shot</p> 	<p>21: 10,4* ↗</p> <p>22: 9,5 ↓</p> <p>23: 10,2* →</p> <p>24: 9,7 ↗</p> <p>25: 9,6 ←</p> <p>26: 10,5* ↑</p> <p>27: 9,6 ↓</p> <p>28: 10,8* ↓</p> <p>29: 10,4* ←</p> <p>30: 10,3* ↙</p>
Serie 101,9	Totalt 201,4	Serie 101,0	Totalt 302,4

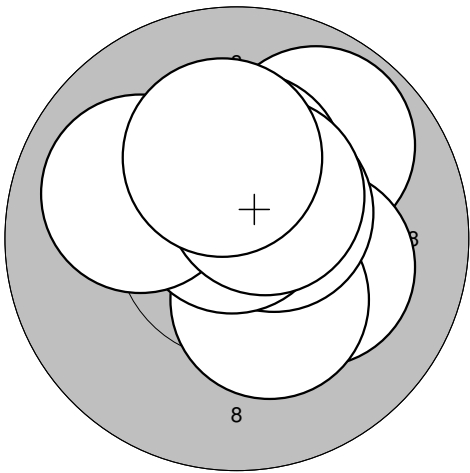
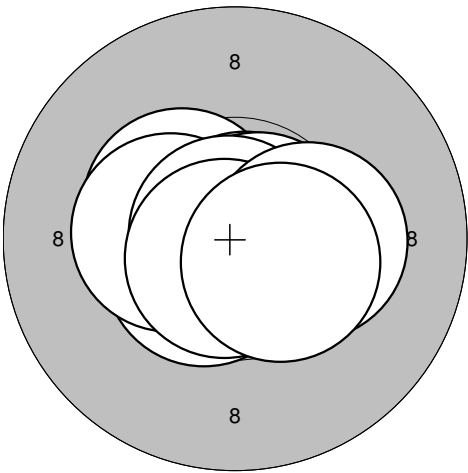
<p>60 shot</p> 	<p>31: 9,6 ←</p> <p>32: 10,5* ↑</p> <p>33: 10,2* ↑</p> <p>34: 10,3* ←</p> <p>35: 10,0 ↘</p> <p>36: 9,7 →</p> <p>37: 9,6 →</p> <p>38: 10,1 ←</p> <p>39: 10,7* ↓</p> <p>40: 10,4* ↗</p>		
Serie 101,1	Totalt 403,5		

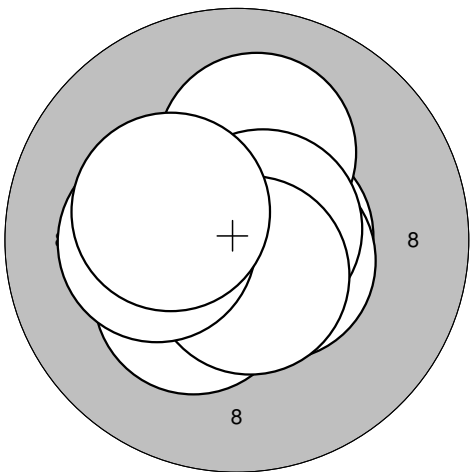
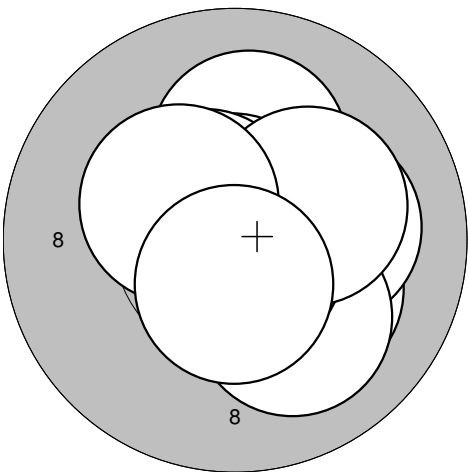
<p>Sight</p> 	<p>60 shot</p> <table style="width:100%; border-collapse: collapse;"> <tr><td>1: 9,9</td><td>→</td></tr> <tr><td>2: 10,0</td><td>↗</td></tr> <tr><td>3: 9,7</td><td>↖</td></tr> <tr><td>4: 9,8</td><td>↗</td></tr> <tr><td>5: 10,1</td><td>↘</td></tr> <tr><td>6: 9,9</td><td>←</td></tr> <tr><td>7: 10,8*</td><td>↗</td></tr> <tr><td>8: 10,0</td><td>→</td></tr> </table>	1: 9,9	→	2: 10,0	↗	3: 9,7	↖	4: 9,8	↗	5: 10,1	↘	6: 9,9	←	7: 10,8*	↗	8: 10,0	→	 <table style="width:100%; border-collapse: collapse;"> <tr><td>1: 10,3*</td><td>↓</td></tr> <tr><td>2: 9,9</td><td>↖</td></tr> <tr><td>3: 10,3*</td><td>↗</td></tr> <tr><td>4: 10,5*</td><td>←</td></tr> <tr><td>5: 10,3*</td><td>↓</td></tr> <tr><td>6: 10,1</td><td>↘</td></tr> <tr><td>7: 10,4*</td><td>↗</td></tr> <tr><td>8: 10,4*</td><td>↗</td></tr> <tr><td>9: 10,4*</td><td>↑</td></tr> <tr><td>10: 10,2*</td><td>↗</td></tr> </table>	1: 10,3*	↓	2: 9,9	↖	3: 10,3*	↗	4: 10,5*	←	5: 10,3*	↓	6: 10,1	↘	7: 10,4*	↗	8: 10,4*	↗	9: 10,4*	↑	10: 10,2*	↗
1: 9,9	→																																					
2: 10,0	↗																																					
3: 9,7	↖																																					
4: 9,8	↗																																					
5: 10,1	↘																																					
6: 9,9	←																																					
7: 10,8*	↗																																					
8: 10,0	→																																					
1: 10,3*	↓																																					
2: 9,9	↖																																					
3: 10,3*	↗																																					
4: 10,5*	←																																					
5: 10,3*	↓																																					
6: 10,1	↘																																					
7: 10,4*	↗																																					
8: 10,4*	↗																																					
9: 10,4*	↑																																					
10: 10,2*	↗																																					
Serie 80,2	Serie 102,8																																					
Totalt 0,0	Totalt 102,8																																					

<p>60 shot</p> 	<p>60 shot</p> <table style="width:100%; border-collapse: collapse;"> <tr><td>11: 10,2*</td><td>↗</td></tr> <tr><td>12: 9,3</td><td>↗</td></tr> <tr><td>13: 10,1</td><td>↘</td></tr> <tr><td>14: 10,1</td><td>↑</td></tr> <tr><td>15: 10,1</td><td>↖</td></tr> <tr><td>16: 10,1</td><td>↘</td></tr> <tr><td>17: 9,9</td><td>↘</td></tr> <tr><td>18: 10,1</td><td>→</td></tr> <tr><td>19: 9,8</td><td>↘</td></tr> <tr><td>20: 9,7</td><td>↗</td></tr> </table>	11: 10,2*	↗	12: 9,3	↗	13: 10,1	↘	14: 10,1	↑	15: 10,1	↖	16: 10,1	↘	17: 9,9	↘	18: 10,1	→	19: 9,8	↘	20: 9,7	↗	<p>60 shot</p>  <table style="width:100%; border-collapse: collapse;"> <tr><td>21: 10,6*</td><td>↘</td></tr> <tr><td>22: 9,4</td><td>↖</td></tr> <tr><td>23: 10,1</td><td>←</td></tr> <tr><td>24: 9,2</td><td>↘</td></tr> <tr><td>25: 10,3*</td><td>↘</td></tr> <tr><td>26: 10,3*</td><td>↖</td></tr> <tr><td>27: 9,9</td><td>↖</td></tr> <tr><td>28: 10,8*</td><td>↘</td></tr> <tr><td>29: 9,6</td><td>↗</td></tr> <tr><td>30: 10,1</td><td>↑</td></tr> </table>	21: 10,6*	↘	22: 9,4	↖	23: 10,1	←	24: 9,2	↘	25: 10,3*	↘	26: 10,3*	↖	27: 9,9	↖	28: 10,8*	↘	29: 9,6	↗	30: 10,1	↑
11: 10,2*	↗																																									
12: 9,3	↗																																									
13: 10,1	↘																																									
14: 10,1	↑																																									
15: 10,1	↖																																									
16: 10,1	↘																																									
17: 9,9	↘																																									
18: 10,1	→																																									
19: 9,8	↘																																									
20: 9,7	↗																																									
21: 10,6*	↘																																									
22: 9,4	↖																																									
23: 10,1	←																																									
24: 9,2	↘																																									
25: 10,3*	↘																																									
26: 10,3*	↖																																									
27: 9,9	↖																																									
28: 10,8*	↘																																									
29: 9,6	↗																																									
30: 10,1	↑																																									
Serie 99,4	Serie 100,3																																									
Totalt 202,2	Totalt 302,5																																									

<p>60 shot</p> 	<table style="width:100%; border-collapse: collapse;"> <tr><td>31: 10,7*</td><td>↖</td></tr> <tr><td>32: 10,0</td><td>↑</td></tr> <tr><td>33: 9,7</td><td>↖</td></tr> <tr><td>34: 9,1</td><td>→</td></tr> <tr><td>35: 9,5</td><td>↗</td></tr> <tr><td>36: 10,4*</td><td>↓</td></tr> <tr><td>37: 10,7*</td><td>↑</td></tr> <tr><td>38: 9,7</td><td>↘</td></tr> <tr><td>39: 10,0</td><td>↗</td></tr> <tr><td>40: 9,2</td><td>←</td></tr> </table>	31: 10,7*	↖	32: 10,0	↑	33: 9,7	↖	34: 9,1	→	35: 9,5	↗	36: 10,4*	↓	37: 10,7*	↑	38: 9,7	↘	39: 10,0	↗	40: 9,2	←	
31: 10,7*	↖																					
32: 10,0	↑																					
33: 9,7	↖																					
34: 9,1	→																					
35: 9,5	↗																					
36: 10,4*	↓																					
37: 10,7*	↑																					
38: 9,7	↘																					
39: 10,0	↗																					
40: 9,2	←																					
Serie 99,0																						
Totalt 401,5																						

<p>Sight</p> 	<p>1: 8,9 ↓ 2: 9,7 ↓ 3: 10,8* ↗ 4: 10,5* ↗ 5: 10,5* → 6: 10,7* ↑ 7: 10,7* ↙ 8: 10,1 ↑ 9: 10,3* → 10: 10,5* ↓</p> <table border="1" style="width:100%; border-collapse: collapse;"> <tr> <td style="text-align: right;">Serie</td> <td style="text-align: right;">102,7</td> </tr> <tr> <td style="text-align: right;">Totalt</td> <td style="text-align: right;">0,0</td> </tr> </table>	Serie	102,7	Totalt	0,0	<p>Sight</p> 	<p>11: 10,4* ↑ 12: 10,7* ←</p> <table border="1" style="width:100%; border-collapse: collapse;"> <tr> <td style="text-align: right;">Serie</td> <td style="text-align: right;">21,1</td> </tr> <tr> <td style="text-align: right;">Totalt</td> <td style="text-align: right;">0,0</td> </tr> </table>	Serie	21,1	Totalt	0,0
Serie	102,7										
Totalt	0,0										
Serie	21,1										
Totalt	0,0										

<p>60 shot</p> 	<p>1: 10,7* → 2: 9,8 ↗ 3: 10,2* → 4: 10,3* ↓ 5: 10,5* ↗ 6: 10,7* ↑ 7: 10,3* ↑ 8: 10,0 ← 9: 10,5* ↗ 10: 10,2* ↑</p> <table border="1" style="width:100%; border-collapse: collapse;"> <tr> <td style="text-align: right;">Serie</td> <td style="text-align: right;">103,2</td> </tr> <tr> <td style="text-align: right;">Totalt</td> <td style="text-align: right;">103,2</td> </tr> </table>	Serie	103,2	Totalt	103,2	<p>60 shot</p> 	<p>11: 10,6* ↙ 12: 10,5* ← 13: 10,4* ↖ 14: 10,4* ← 15: 10,8* ↗ 16: 10,7* → 17: 10,9* ↖ 18: 10,7* ↓ 19: 10,3* → 20: 10,5* ↘</p> <table border="1" style="width:100%; border-collapse: collapse;"> <tr> <td style="text-align: right;">Serie</td> <td style="text-align: right;">105,8</td> </tr> <tr> <td style="text-align: right;">Totalt</td> <td style="text-align: right;">209,0</td> </tr> </table>	Serie	105,8	Totalt	209,0
Serie	103,2										
Totalt	103,2										
Serie	105,8										
Totalt	209,0										

<p>60 shot</p> 	<p>21: 10,8* ↗ 22: 10,6* → 23: 10,7* ↑ 24: 10,3* ↙ 25: 10,5* → 26: 10,1 ↑ 27: 10,7* → 28: 10,6* ↓ 29: 10,2* ← 30: 10,3* ←</p> <table border="1" style="width:100%; border-collapse: collapse;"> <tr> <td style="text-align: right;">Serie</td> <td style="text-align: right;">104,8</td> </tr> <tr> <td style="text-align: right;">Totalt</td> <td style="text-align: right;">313,8</td> </tr> </table>	Serie	104,8	Totalt	313,8	<p>60 shot</p> 	<p>31: 10,1 ↑ 32: 10,2* ↘ 33: 10,7* ↑ 34: 10,5* ↗ 35: 10,2* → 36: 10,1 ↓ 37: 10,8* ↓ 38: 10,2* → 39: 10,4* ↖ 40: 10,5* ↓</p> <table border="1" style="width:100%; border-collapse: collapse;"> <tr> <td style="text-align: right;">Serie</td> <td style="text-align: right;">103,7</td> </tr> <tr> <td style="text-align: right;">Totalt</td> <td style="text-align: right;">417,5</td> </tr> </table>	Serie	103,7	Totalt	417,5
Serie	104,8										
Totalt	313,8										
Serie	103,7										
Totalt	417,5										

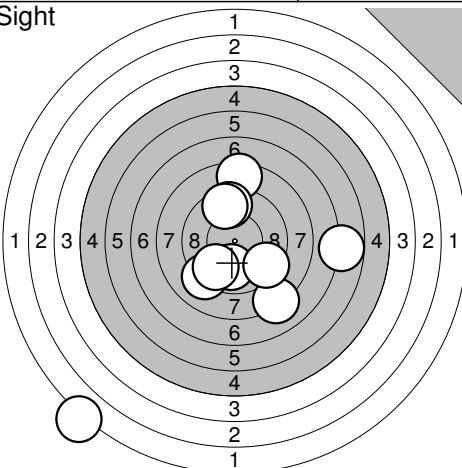
Umeå

2011-04-09

UME-Kulan 2011

Umeå skytteallians

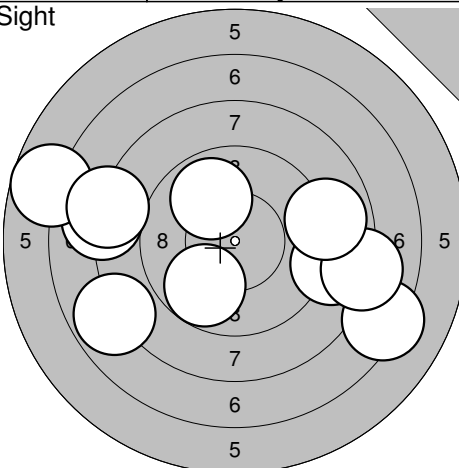
Sight



1: 6,7 →  
 2: 8,1 ↘  
 3: 9,9 ↓  
 4: 8,4 ↑  
 5: 9,1 ↘  
 6: 9,5 ↑  
 7: 9,6 ↑  
 8: 9,4 ↘  
 9: 1,7 ↘  
 10: 9,7 ↘

Serie 82,1  
 Totalt 0,0

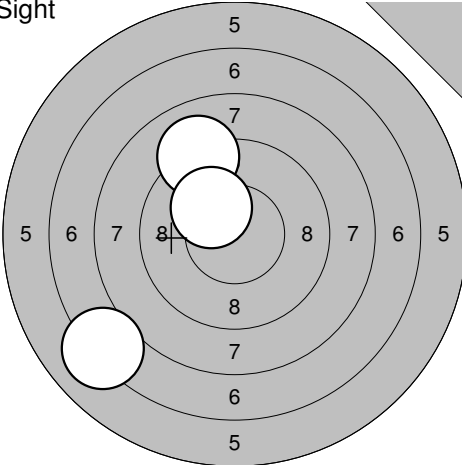
Sight



11: 7,3 →  
 12: 9,8 ↘  
 13: 7,9 ↙  
 14: 8,0 ←  
 15: 8,8 →  
 16: 6,8 ↙  
 17: 8,1 →  
 18: 8,9 →  
 19: 9,9 ↗  
 20: 8,1 ←

Serie 83,6  
 Totalt 0,0

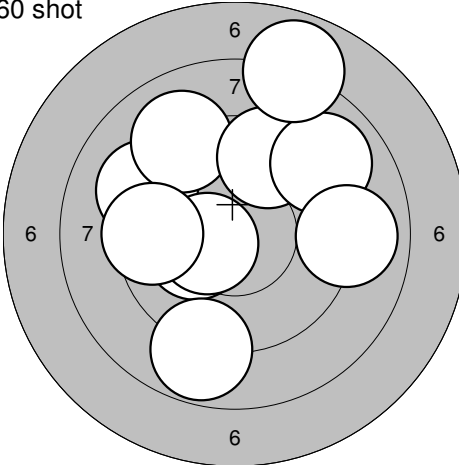
Sight



21: 7,1 ↙  
 22: 9,1 ↗  
 23: 10,2\* ↗

Serie 26,4  
 Totalt 0,0

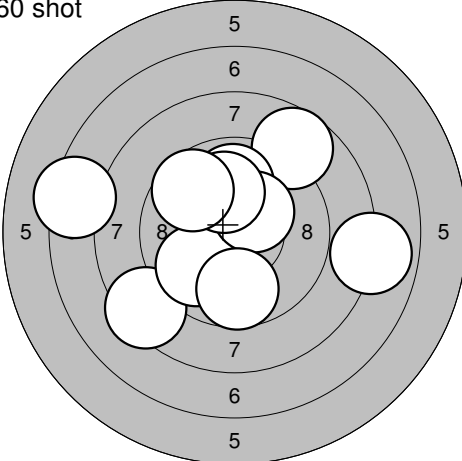
60 shot



1: 10,2\* ←  
 2: 9,2 ↙  
 3: 9,1 ↗  
 4: 9,5 ↗  
 5: 9,0 ↗  
 6: 9,0 →  
 7: 8,8 ↓  
 8: 7,9 ↑  
 9: 10,4\* ←  
 10: 9,5 ←

Serie 92,6  
 Totalt 92,6

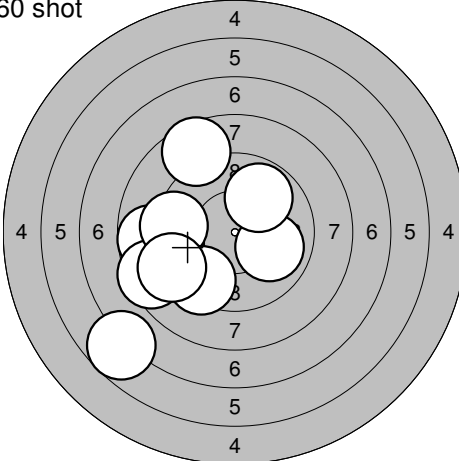
60 shot



11: 8,7 ↗  
 12: 8,4 ↙  
 13: 9,8 ↙  
 14: 9,9 ↑  
 15: 10,3\* ↗  
 16: 10,1 ↑  
 17: 9,7 ↓  
 18: 9,7 ↗  
 19: 7,4 ←  
 20: 7,9 →

Serie 91,9  
 Totalt 184,5

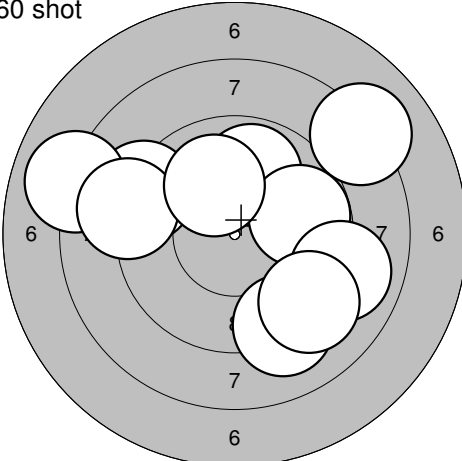
60 shot



21: 6,7 ↙  
 22: 9,2 ←  
 23: 8,7 ←  
 24: 8,5 ↙  
 25: 8,6 ↗  
 26: 9,3 ←  
 27: 9,4 ↘  
 28: 10,0 →  
 29: 9,9 ↗  
 30: 9,1 ↙

Serie 89,4  
 Totalt 273,9

60 shot



31: 9,9 ↑  
 32: 9,1 ↓  
 33: 8,1 ↗  
 34: 9,2 ↙  
 35: 8,0 ↙  
 36: 9,8 →  
 37: 9,0 ↘  
 38: 9,0 ←  
 39: 10,0 ↗  
 40: 9,2 ↘

Serie 91,3  
 Totalt 365,2

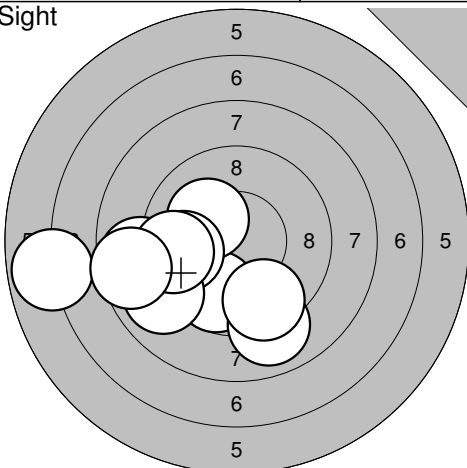
Rönnskär

2011-04-09

UME-Kulan 2011

Umeå skytteallians

Sight

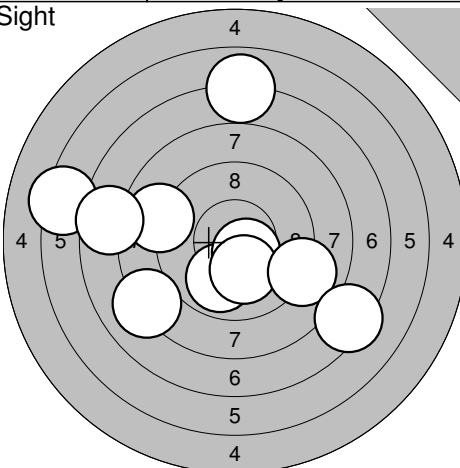


1: 8,8 ←  
 2: 9,7 ↓  
 3: 9,0 ↓  
 4: 10,2\* ↗  
 5: 9,8 ←  
 6: 9,0 ←  
 7: 9,5 ←  
 8: 9,5 ↓  
 9: 6,9 ←  
 10: 8,6 ←

Serie 86,0

Totalt 0,0

Sight

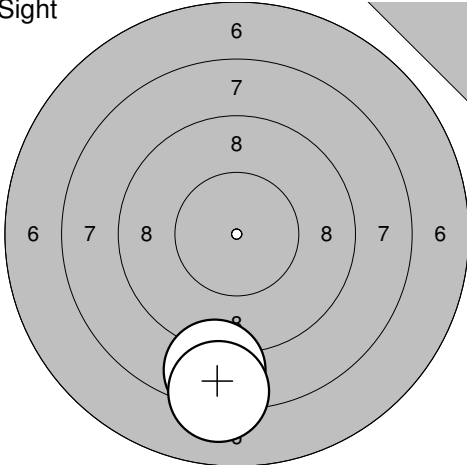


11: 8,1 ←  
 12: 9,9 ↓  
 13: 6,3 ←  
 14: 10,5\* ↓  
 15: 10,2\* ↓  
 16: 8,9 ←  
 17: 9,0 →  
 18: 7,3 ↓  
 19: 7,6 ←  
 20: 7,0 ↑

Serie 81,0

Totalt 0,0

Sight

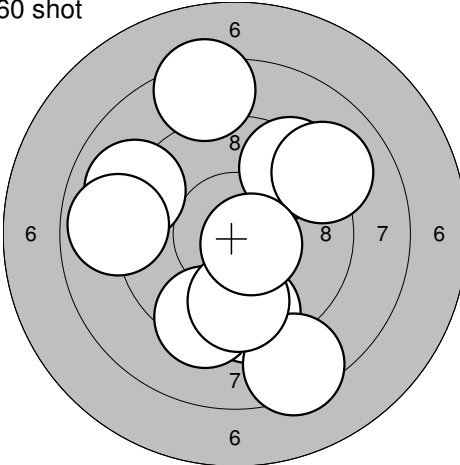


21: 8,5 ↓  
 22: 8,1 ↓

Serie 16,0

Totalt 0,0

60 shot

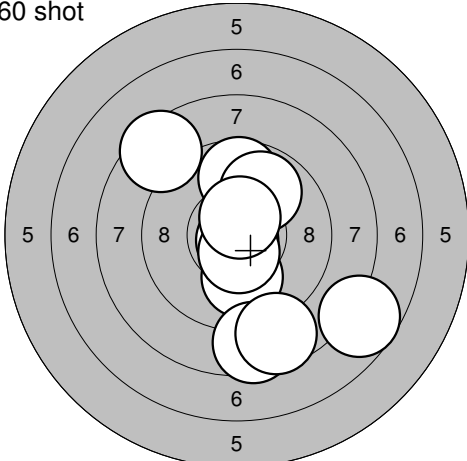


1: 9,0 ↗  
 2: 9,5 ↓  
 3: 8,9 ←  
 4: 8,4 ↓  
 5: 8,4 ↑  
 6: 9,4 ↗  
 7: 9,4 ↓  
 8: 9,1 ↗  
 9: 9,8 ↓  
 10: 10,6\* ↘

Serie 88,0

Totalt 88,0

60 shot

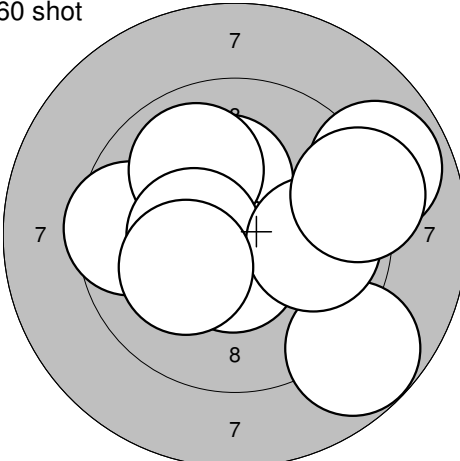


11: 8,5 ↗  
 12: 9,7 ↑  
 13: 10,0 ↓  
 14: 9,9 ↗  
 15: 7,7 ↘  
 16: 10,8\* ↓  
 17: 8,6 ↓  
 18: 8,6 ↓  
 19: 10,6\* ↓  
 20: 10,6\* ↑

Serie 89,0

Totalt 177,0

60 shot

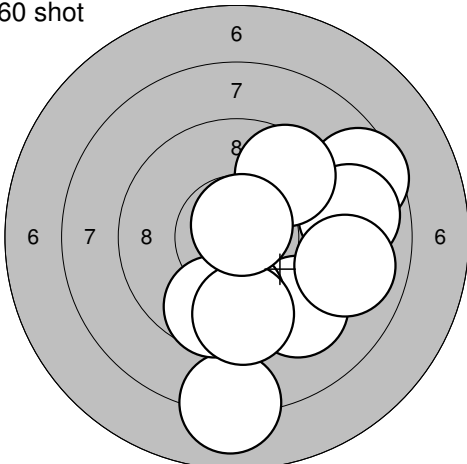


21: 9,6 ←  
 22: 10,2\* ↑  
 23: 8,8 ↓  
 24: 8,9 →  
 25: 10,5\* ↓  
 26: 9,9 ↗  
 27: 10,4\* ←  
 28: 9,9 →  
 29: 9,2 →  
 30: 10,2\* ←

Serie 92,0

Totalt 269,0

60 shot



31: 8,6 →  
 32: 8,9 →  
 33: 9,3 ↓  
 34: 9,9 ↓  
 35: 9,6 ↗  
 36: 9,0 →  
 37: 8,0 ↓  
 38: 9,7 ↓  
 39: 9,6 ↓  
 40: 10,7\* ↑

Serie 88,0

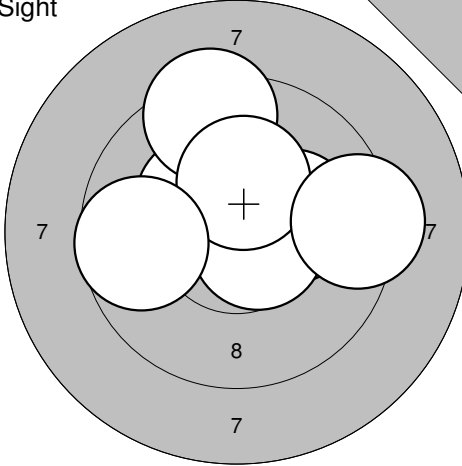
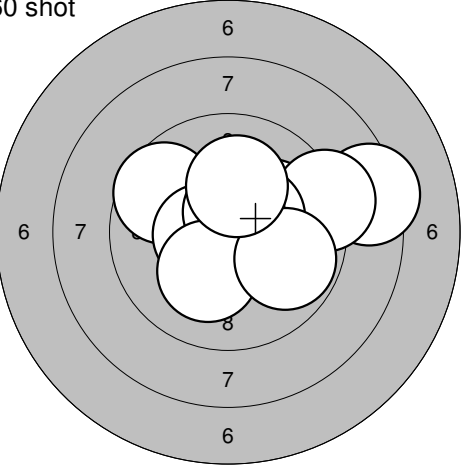
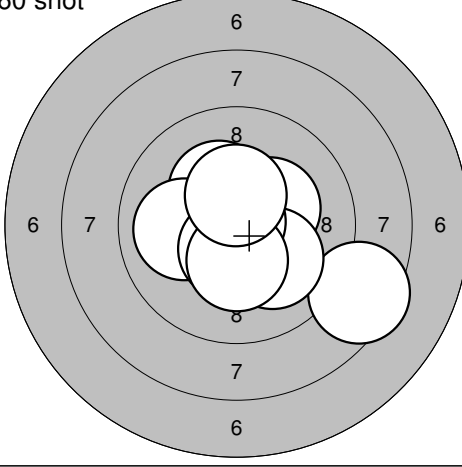
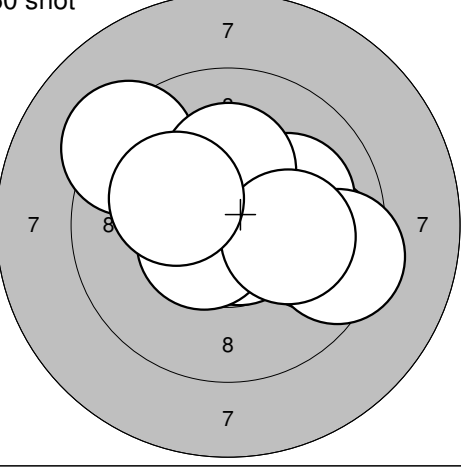
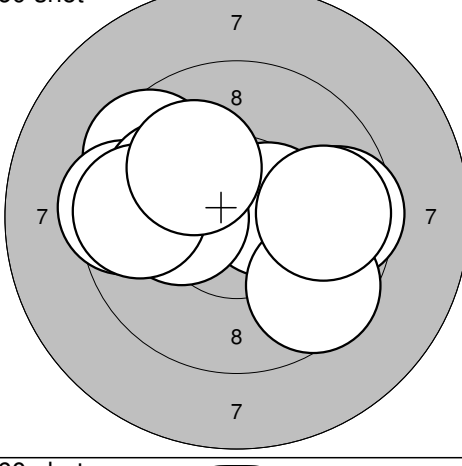
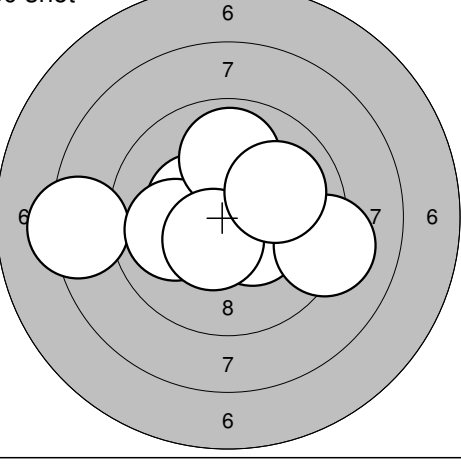
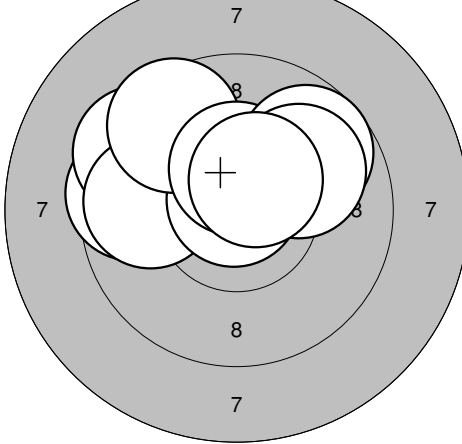
Totalt 357,0

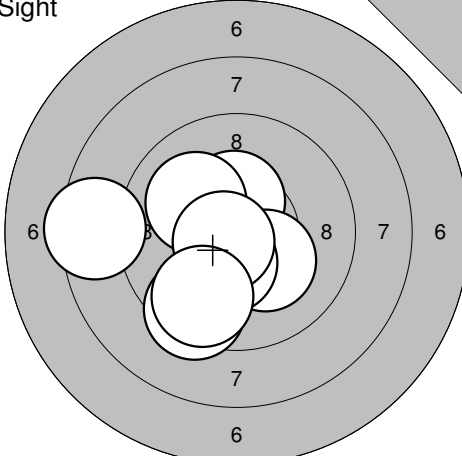
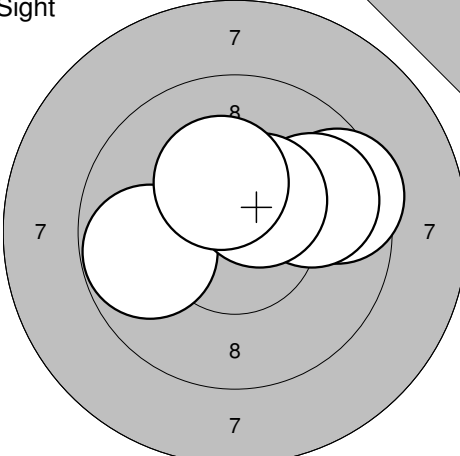
Ramselefors

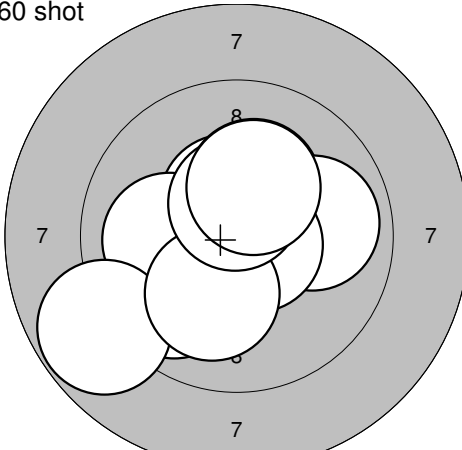
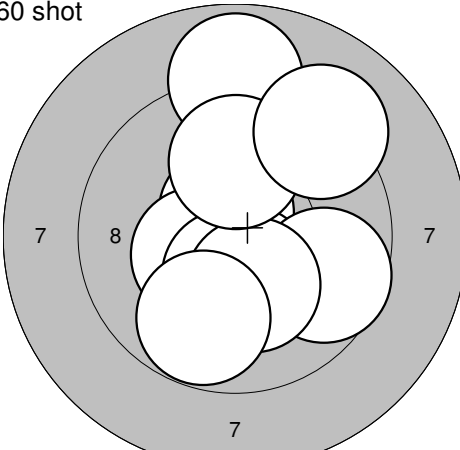
2011-04-09

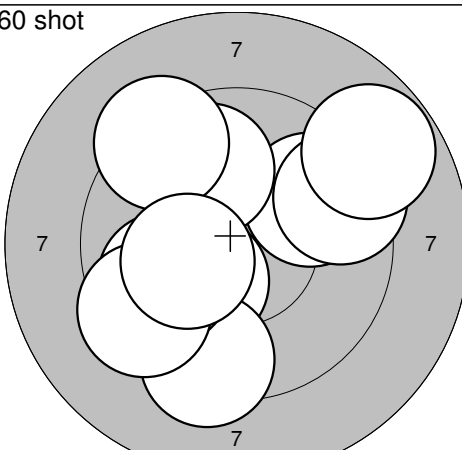
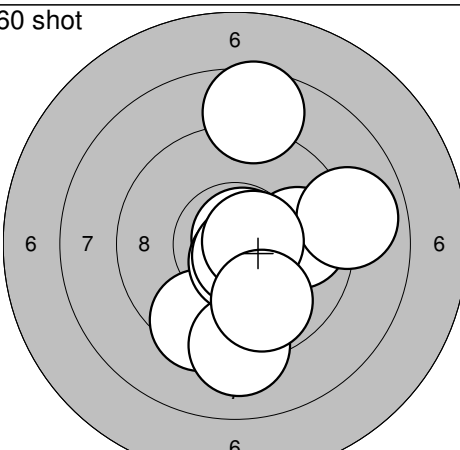
UME-Kulan 2011

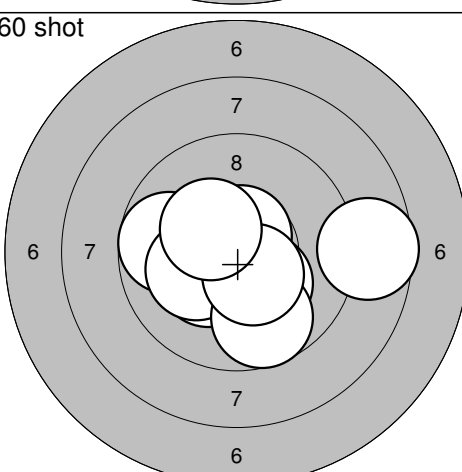
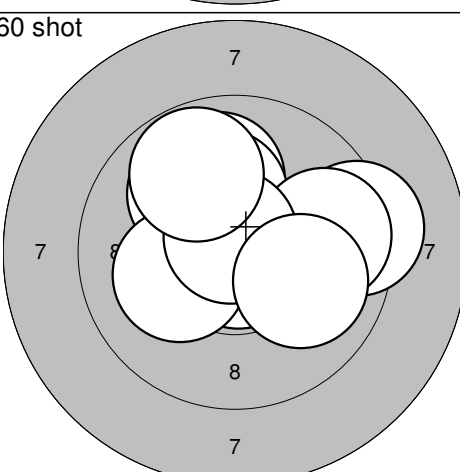
Umeå skytteallians

<p>Sight</p> 	<p>1: 10,3* ↗                  2: 10,2* →                  3: 9,4 ↑                  4: 10,6* ↘                  5: 10,3* ↑                  6: 9,7 ←                  7: 9,3 →</p> <p>Serie 67,0 Totalt 0,0</p>	<p>60 shot</p>  <p>1: 8,4 →                  2: 9,6 ↖                  3: 10,1 →                  4: 9,2 →                  5: 10,4* →                  6: 10,5* ←                  7: 10,6* ↑                  8: 10,2* ↓                  9: 9,8 →                  10: 10,1 ↑</p> <p>Serie 95,0 Totalt 95,0</p>
<p>60 shot</p> 	<p>11: 8,5 ↘                  12: 10,4* ↓                  13: 10,3* →                  14: 10,1 ↓                  15: 10,9* ↗                  16: 10,3* ↗                  17: 10,0 ←                  18: 10,5* ↓                  19: 10,3* ↓                  20: 10,4* ↑</p> <p>Serie 98,0 Totalt 193,0</p>	<p>60 shot</p>  <p>21: 9,8 →                  22: 10,5* ↖                  23: 9,3 ↗                  24: 10,1 →                  25: 10,7* ↓                  26: 10,6* ↖                  27: 9,4 →                  28: 10,2* ↑                  29: 10,1 →                  30: 10,2* ↖</p> <p>Serie 97,0 Totalt 290,0</p>
<p>60 shot</p> 	<p>31: 9,6 →                  32: 9,5 ↗                  33: 10,5* →                  34: 9,5 ←                  35: 9,6 ↘                  36: 10,0 ↗                  37: 10,2* ←                  38: 9,7 ←                  39: 10,1 ↗                  40: 9,8 →</p> <p>Serie 94,0 Totalt 384,0</p>	<p>60 shot</p>  <p>41: 10,8* ↘                  42: 10,8* ↓                  43: 8,3 ←                  44: 10,4* ↖                  45: 10,0 ←                  46: 9,9 ↑                  47: 10,4* ↘                  48: 10,5* ↓                  49: 9,2 →                  50: 10,0 →</p> <p>Serie 96,0 Totalt 480,0</p>
<p>60 shot</p> 	<p>51: 9,6 ←                  52: 9,5 ↗                  53: 9,8 ←                  54: 10,8* ↑                  55: 9,5 ↗                  56: 10,3* ↗                  57: 10,4* ↑                  58: 9,7 ↗                  59: 10,0 ↗                  60: 10,5* ↗</p> <p>Serie 95,0 Totalt 575,0</p>	

<p>Sight</p> 	<p>1: 10,6* ↓ 2: 10,6* ↓ 3: 10,4* ↑ 4: 9,4 ↓ 5: 10,2* ↓ 6: 8,5 ← 7: 10,1 ↗ 8: 10,4* ↓ 9: 10,7* ← 10: 9,7 ↓</p> <p>Serie 96,0 Totalt 0,0</p>	<p>Sight</p> 	<p>11: 9,5 → 12: 9,8 ← 13: 9,8 → 14: 10,4* ↗ 15: 10,3* ↑</p> <p>Serie 47,0 Totalt 0,0</p>
---	---	---	---

<p>60 shot</p> 	<p>1: 10,5* ↑ 2: 9,8 ↙ 3: 10,2* ↑ 4: 9,9 → 5: 10,7* → 6: 10,1 ← 7: 8,8 ↙ 8: 10,1 ↓ 9: 10,5* ↑ 10: 10,3* ↑</p> <p>Serie 96,0 Totalt 96,0</p>	<p>60 shot</p> 	<p>11: 10,6* ↑ 12: 10,4* ↓ 13: 8,9 ↑ 14: 9,6 → 15: 10,4* ← 16: 10,4* ↓ 17: 10,2* ↓ 18: 9,8 ↓ 19: 10,0 ↑ 20: 9,1 ↗</p> <p>Serie 95,0 Totalt 191,0</p>
--	---	--	--

<p>60 shot</p> 	<p>21: 9,8 ↗ 22: 9,9 ↑ 23: 9,4 → 24: 10,3* ↙ 25: 9,4 ↓ 26: 9,9 ← 27: 9,3 ↗ 28: 9,4 ↙ 29: 10,3* ← 30: 8,8 ↗</p> <p>Serie 91,0 Totalt 282,0</p>	<p>60 shot</p> 	<p>31: 10,8* ↗ 32: 9,8 → 33: 9,5 ↙ 34: 9,2 ↓ 35: 10,6* ↓ 36: 8,9 → 37: 10,7* ↓ 38: 8,6 ↑ 39: 10,6* → 40: 9,8 ↓</p> <p>Serie 92,0 Totalt 374,0</p>
---	---	---	---

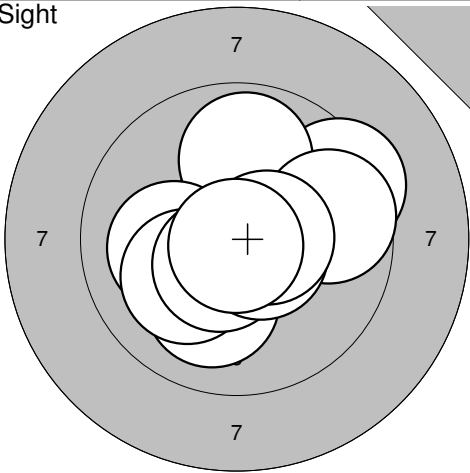
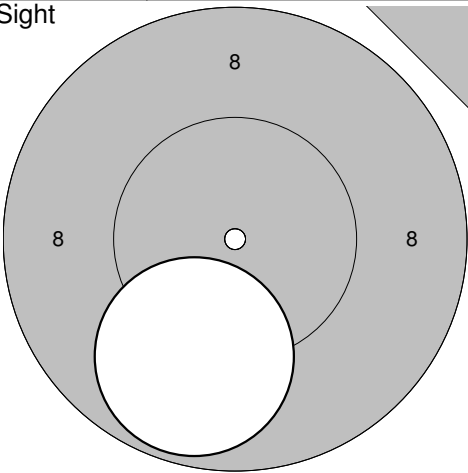
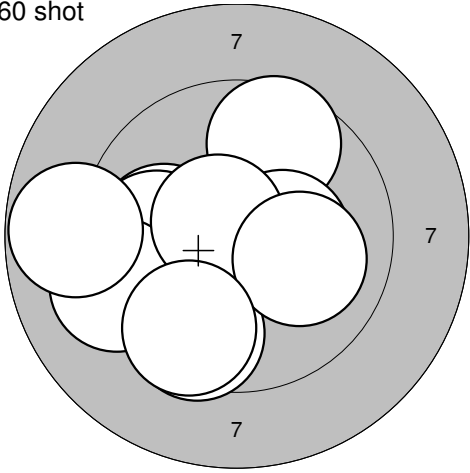
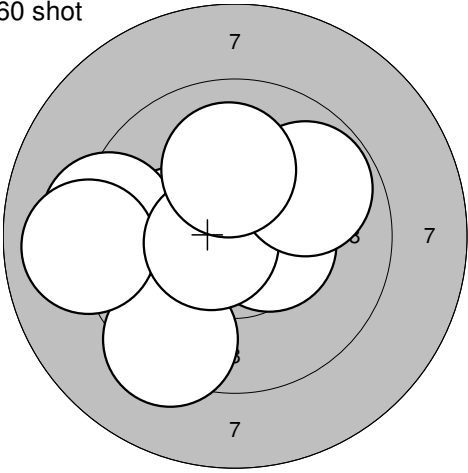
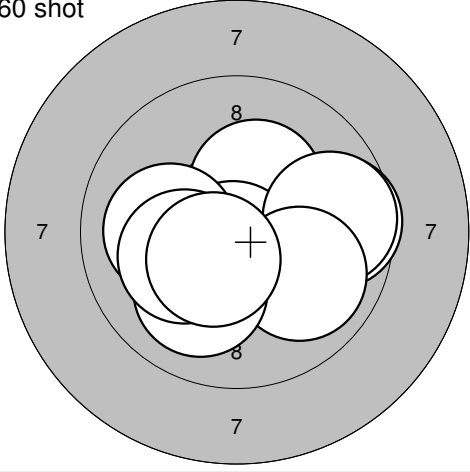
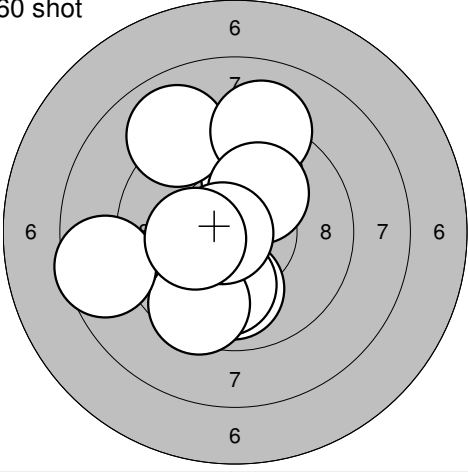
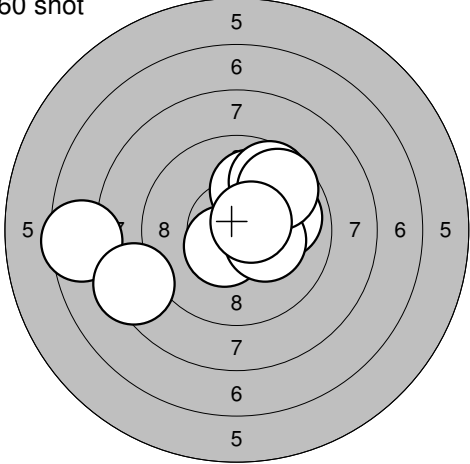
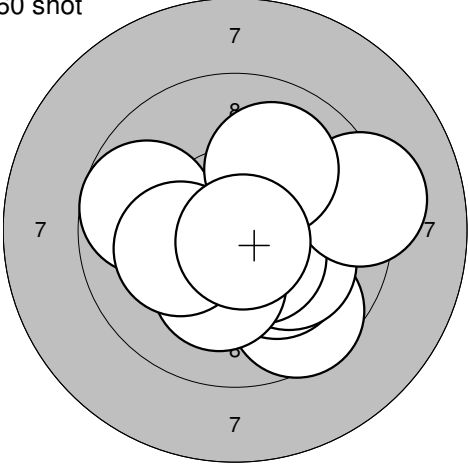
<p>60 shot</p> 	<p>41: 9,7 ← 42: 10,7* ↑ 43: 8,6 → 44: 10,2* ↓ 45: 10,3* ← 46: 10,3* ↙ 47: 10,2* ← 48: 9,7 ↓ 49: 10,5* ↓ 50: 10,3* ↗</p> <p>Serie 96,0 Totalt 470,0</p>	<p>60 shot</p> 	<p>51: 10,0 ↑ 52: 10,0 ↗ 53: 10,8* ↓ 54: 9,3 → 55: 10,2* ← 56: 10,2* ↑ 57: 9,7 → 58: 10,7* ↑ 59: 9,8 ↑ 60: 10,0 →</p> <p>Serie 97,0 Totalt 567,0</p>
---	---	---	--

S 3

2011-04-09

UME-Kulan 2011

Umeå skytteallians

<p>Sight</p> 	<p>1: 10,1 ↓ 2: 9,4 → 3: 9,9 ↑ 4: 10,1 ← 5: 10,1 ↙ 6: 9,7 → 7: 10,5* ↓ 8: 10,6* ↘ 9: 10,5* → 10: 10,8* ↓</p> <p>Serie 97,0 Totalt 0,0</p>	<p>Sight</p> 	<p>11: 9,8 ↓</p> <p>Serie 9,0 Totalt 0,0</p>
<p>60 shot</p> 	<p>1: 10,0 ← 2: 9,6 ↑ 3: 9,5 ↓ 4: 9,9 ← 5: 10,3* → 6: 9,2 ← 7: 8,8 ← 8: 10,6* ↗ 9: 10,1 → 10: 9,6 ↓</p> <p>Serie 93,0 Totalt 93,0</p>	<p>60 shot</p> 	<p>11: 10,2* ← 12: 9,3 ← 13: 10,5* → 14: 10,8* ↑ 15: 9,3 ↓ 16: 10,5* → 17: 9,0 ← 18: 10,6* ← 19: 9,8 ↗ 20: 10,1 ↑</p> <p>Serie 96,0 Totalt 189,0</p>
<p>60 shot</p> 	<p>21: 9,6 → 22: 10,3* → 23: 10,3* ↑ 24: 10,7* ↓ 25: 9,7 → 26: 9,9 ↘ 27: 10,0 ↓ 28: 10,1 ← 29: 10,2* ← 30: 10,5* ↘</p> <p>Serie 97,0 Totalt 286,0</p>	<p>60 shot</p> 	<p>31: 10,0 ↑ 32: 10,0 ↓ 33: 9,0 ↖ 34: 9,1 ↑ 35: 10,0 ↓ 36: 9,5 ↓ 37: 10,2* ↗ 38: 10,7* ← 39: 8,6 ← 40: 10,2* ←</p> <p>Serie 95,0 Totalt 381,0</p>
<p>60 shot</p> 	<p>41: 7,5 ← 42: 9,9 → 43: 10,5* ↓ 44: 8,4 ← 45: 9,8 ↗ 46: 10,3* → 47: 10,0 ↑ 48: 9,7 ↗ 49: 9,7 ↗ 50: 10,6* →</p> <p>Serie 91,0 Totalt 472,0</p>	<p>60 shot</p> 	<p>51: 9,6 ↓ 52: 10,2* ↓ 53: 9,7 ← 54: 10,1 ↘ 55: 10,5* ↓ 56: 9,2 → 57: 10,0 ↗ 58: 10,2* ↓ 59: 10,2* ← 60: 10,8* ↓</p> <p>Serie 97,0 Totalt 569,0</p>



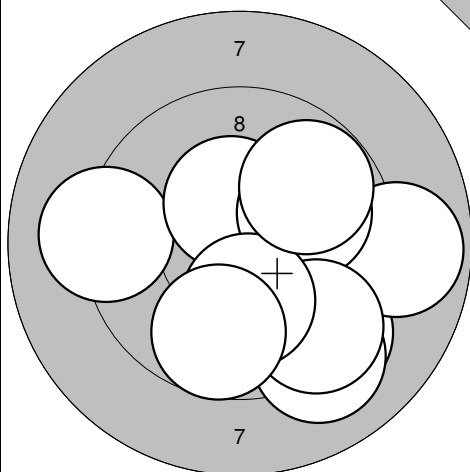
Bastuträsk

2011-04-09

UME-Kulan 2011

Umeå skytteallians

Sight

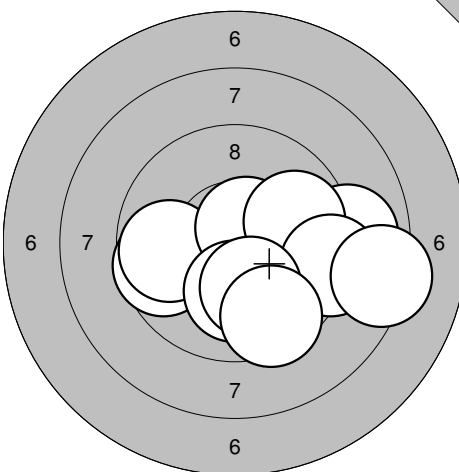


1: 9,2 ←  
 2: 9,3 ↘  
 3: 9,1 ↘  
 4: 8,9 →  
 5: 10,4\* ↑  
 6: 10,0 →  
 7: 9,4 ↘  
 8: 10,2\* ↘  
 9: 9,8 ↗  
 10: 9,7 ↘

Serie 92,0

Totalt 0,0

Sight

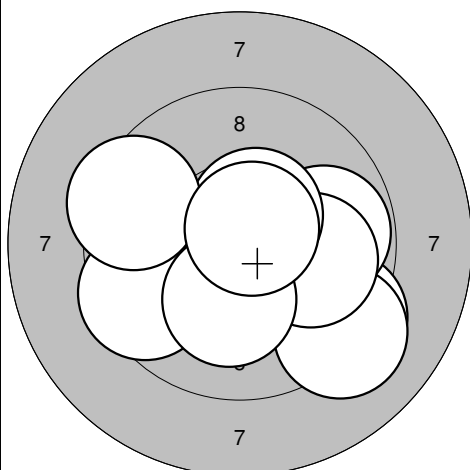


11: 9,6 ←  
 12: 9,8 ←  
 13: 10,6\* ↗  
 14: 9,0 →  
 15: 9,8 ↗  
 16: 9,2 →  
 17: 10,1 ↓  
 18: 10,1 ↓  
 19: 8,3 →  
 20: 9,5 ↘

Serie 92,0

Totalt 0,0

60 shot

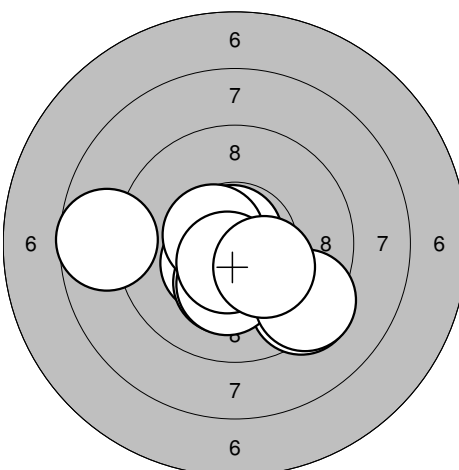


1: 10,8\* ↓  
 2: 9,3 ↘  
 3: 9,5 ←  
 4: 9,2 ↘  
 5: 9,8 →  
 6: 10,0 →  
 7: 10,5\* ↗  
 8: 9,4 ←  
 9: 10,2\* ↓  
 10: 10,7\* ↗

Serie 95,0

Totalt 95,0

60 shot

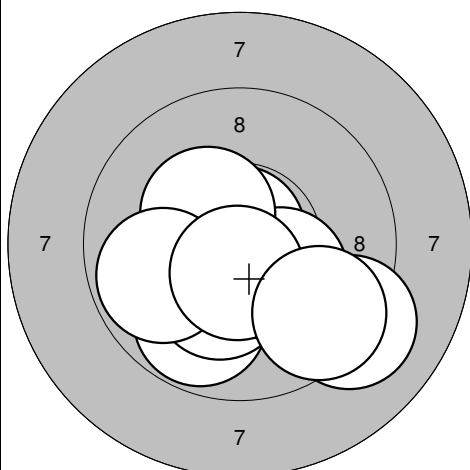


11: 10,4\* ↙  
 12: 9,4 ↘  
 13: 10,2\* ↓  
 14: 8,7 ←  
 15: 10,8\* ↗  
 16: 10,2\* ↓  
 17: 10,5\* ↙  
 18: 10,6\* ↓  
 19: 9,4 ↘  
 20: 10,3\* ↘

Serie 96,0

Totalt 191,0

60 shot

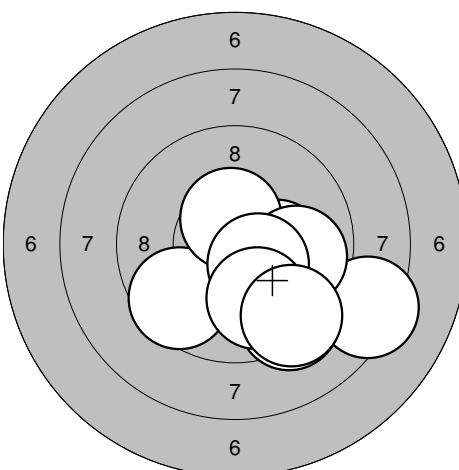


21: 9,8 ↘  
 22: 10,2\* ↘  
 23: 10,3\* ↘  
 24: 10,8\* ↑  
 25: 10,3\* ↘  
 26: 10,4\* ↗  
 27: 9,8 ←  
 28: 10,6\* ↓  
 29: 9,2 ↘  
 30: 9,5 ↘

Serie 96,0

Totalt 287,0

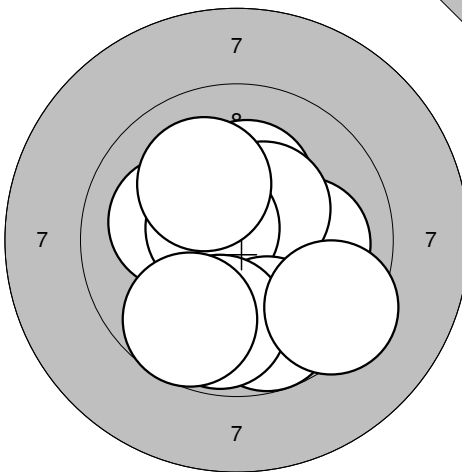
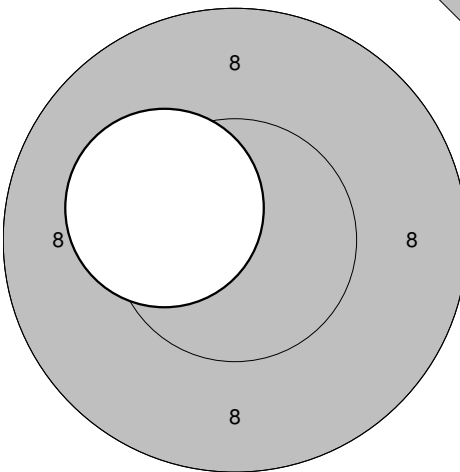
60 shot

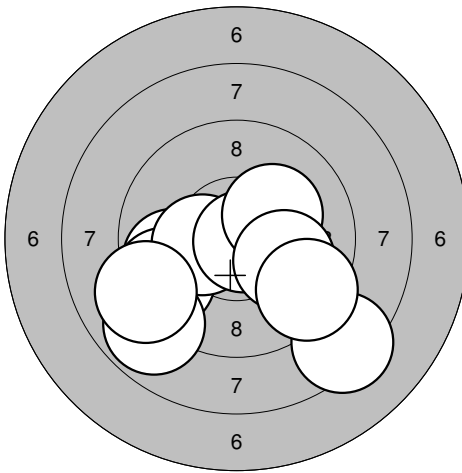
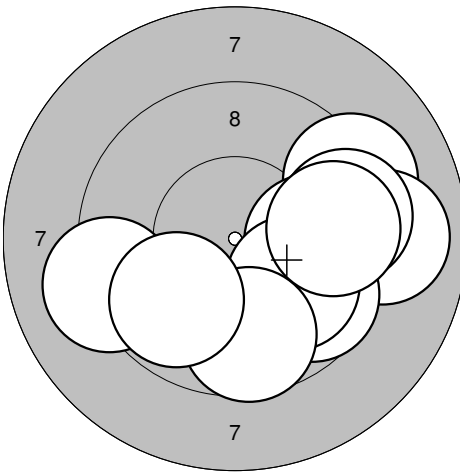


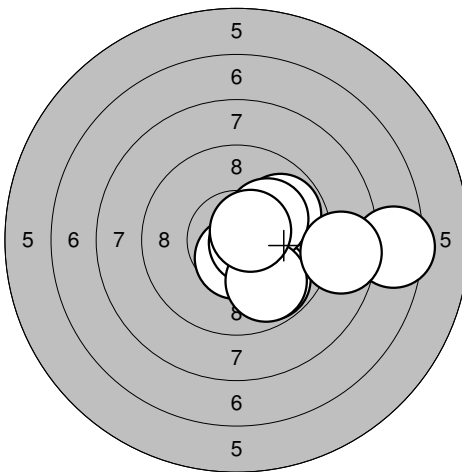
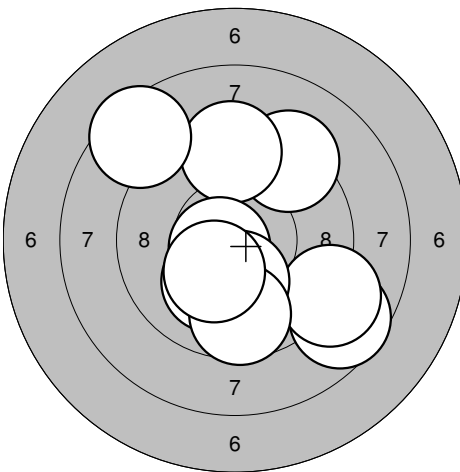
31: 8,4 ↘  
 32: 10,2\* →  
 33: 9,6 ↘  
 34: 9,3 ↘  
 35: 10,5\* ↑  
 36: 10,0 ↘  
 37: 9,8 →  
 38: 10,4\* ↘  
 39: 9,9 ↘  
 40: 9,3 ↘

Serie 93,0

Totalt 380,0

<p>Sight</p> 	<p>1: 10,1 ←</p> <p>2: 10,1 →</p> <p>3: 10,2* ↑</p> <p>4: 10,4* ↗</p> <p>5: 10,6* ↖</p> <p>6: 9,8 ↓</p> <p>7: 9,8 ↓</p> <p>8: 10,1 ↗</p> <p>9: 9,4 ↘</p> <p>10: 9,7 ↓</p> <table border="1" style="width:100%; border-collapse: collapse;"> <tr><td>Serie</td><td style="text-align: right;">96,0</td></tr> <tr><td>Totalt</td><td style="text-align: right;">0,0</td></tr> </table>	Serie	96,0	Totalt	0,0	<p>Sight</p> 	<p>11: 10,3* ←</p> <table border="1" style="width:100%; border-collapse: collapse;"> <tr><td>Serie</td><td style="text-align: right;">10,0</td></tr> <tr><td>Totalt</td><td style="text-align: right;">0,0</td></tr> </table>	Serie	10,0	Totalt	0,0
Serie	96,0										
Totalt	0,0										
Serie	10,0										
Totalt	0,0										

<p>60 shot</p> 	<p>1: 9,8 ←</p> <p>2: 9,5 ←</p> <p>3: 10,3* ←</p> <p>4: 10,8* →</p> <p>5: 10,2* ↗</p> <p>6: 10,0 →</p> <p>7: 8,9 ↓</p> <p>8: 8,3 ↓</p> <p>9: 9,1 ←</p> <p>10: 9,4 ↘</p> <table border="1" style="width:100%; border-collapse: collapse;"> <tr><td>Serie</td><td style="text-align: right;">92,0</td></tr> <tr><td>Totalt</td><td style="text-align: right;">92,0</td></tr> </table>	Serie	92,0	Totalt	92,0	<p>60 shot</p> 	<p>11: 9,2 ↗</p> <p>12: 9,2 ←</p> <p>13: 9,0 →</p> <p>14: 9,7 ↘</p> <p>15: 9,9 →</p> <p>16: 10,0 ↘</p> <p>17: 9,7 ↓</p> <p>18: 9,4 →</p> <p>19: 9,6 →</p> <p>20: 9,8 ↙</p> <table border="1" style="width:100%; border-collapse: collapse;"> <tr><td>Serie</td><td style="text-align: right;">91,0</td></tr> <tr><td>Totalt</td><td style="text-align: right;">183,0</td></tr> </table>	Serie	91,0	Totalt	183,0
Serie	92,0										
Totalt	92,0										
Serie	91,0										
Totalt	183,0										

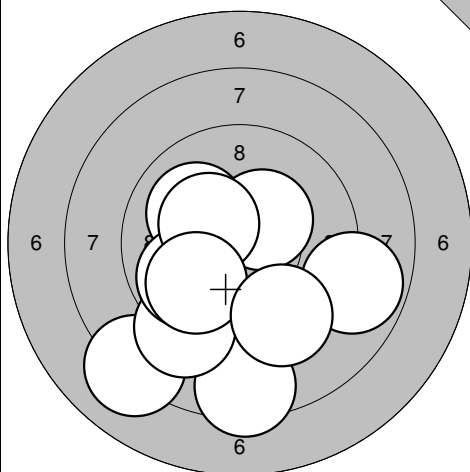
<p>60 shot</p> 	<p>21: 9,9 →</p> <p>22: 9,8 ↗</p> <p>23: 9,8 ↓</p> <p>24: 10,6* ↓</p> <p>25: 10,6* →</p> <p>26: 7,5 →</p> <p>27: 10,1 ↗</p> <p>28: 9,8 ↓</p> <p>29: 10,6* ↗</p> <p>30: 8,6 →</p> <table border="1" style="width:100%; border-collapse: collapse;"> <tr><td>Serie</td><td style="text-align: right;">91,0</td></tr> <tr><td>Totalt</td><td style="text-align: right;">274,0</td></tr> </table>	Serie	91,0	Totalt	274,0	<p>60 shot</p> 	<p>31: 10,1 ↓</p> <p>32: 8,6 ↘</p> <p>33: 9,3 ↗</p> <p>34: 9,0 ↘</p> <p>35: 9,4 ↑</p> <p>36: 10,6* ←</p> <p>37: 10,2* ↓</p> <p>38: 8,5 ↖</p> <p>39: 9,6 ↓</p> <p>40: 10,3* ↙</p> <table border="1" style="width:100%; border-collapse: collapse;"> <tr><td>Serie</td><td style="text-align: right;">92,0</td></tr> <tr><td>Totalt</td><td style="text-align: right;">366,0</td></tr> </table>	Serie	92,0	Totalt	366,0
Serie	91,0										
Totalt	274,0										
Serie	92,0										
Totalt	366,0										

2011-04-09

UME-Kulan 2011

Umeå skytteallians

Sight

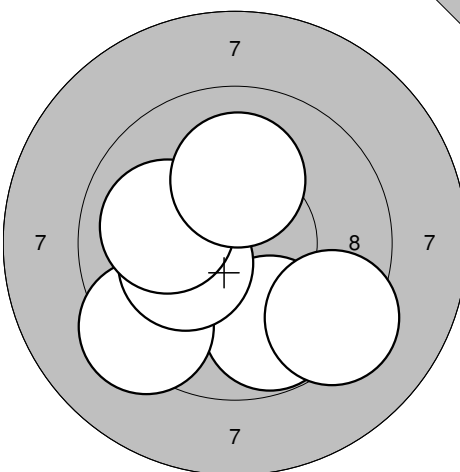


1: 8,1 ↙  
 2: 8,4 ↓  
 3: 10,0 ↗  
 4: 9,2 ↓  
 5: 10,4\* ↗  
 6: 8,8 →  
 7: 9,8 ↙  
 8: 10,3\* ↗  
 9: 9,9 ↙  
 10: 9,5 ↓

Serie 90,0

Totalt 0,0

Sight

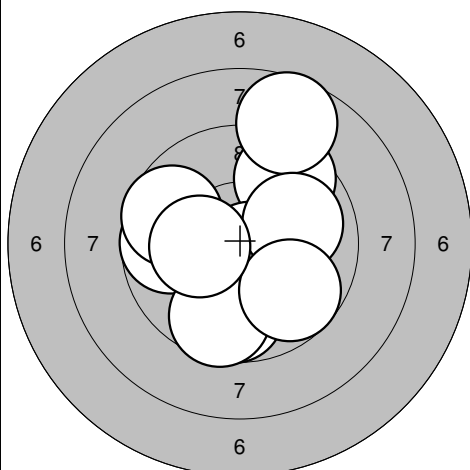


11: 9,8 ↓  
 12: 9,3 ↙  
 13: 10,2\* ←  
 14: 9,3 ↘  
 15: 10,0 ←  
 16: 10,1 ↑

Serie 57,0

Totalt 0,0

60 shot

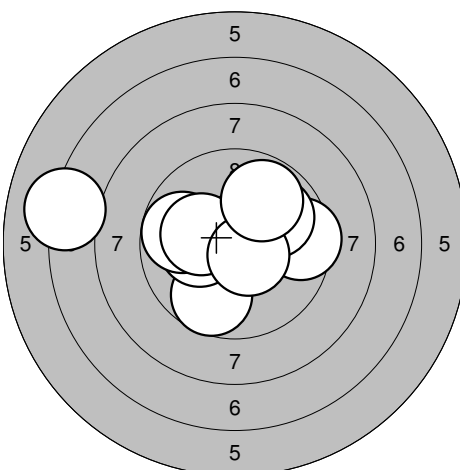


1: 9,7 ←  
 2: 9,6 ↗  
 3: 9,7 ↓  
 4: 8,7 ↗  
 5: 10,7\* ↘  
 6: 9,9 →  
 7: 9,6 ↓  
 8: 9,7 ↘  
 9: 9,7 ↗  
 10: 10,2\* ←

Serie 91,0

Totalt 91,0

60 shot

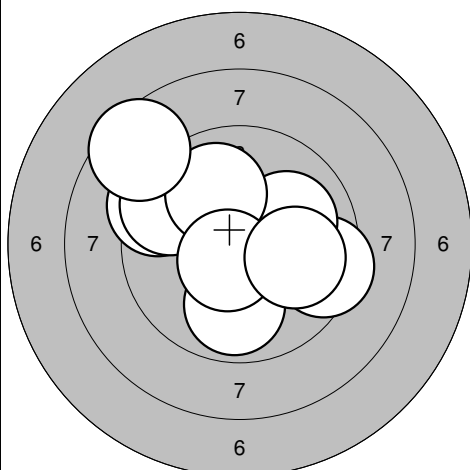


11: 9,5 →  
 12: 10,4\* ←  
 13: 9,7 ↓  
 14: 10,2\* ←  
 15: 9,8 ←  
 16: 9,9 ↗  
 17: 10,2\* ←  
 18: 10,6\* ↘  
 19: 9,8 ↗  
 20: 7,2 ←

Serie 92,0

Totalt 183,0

60 shot

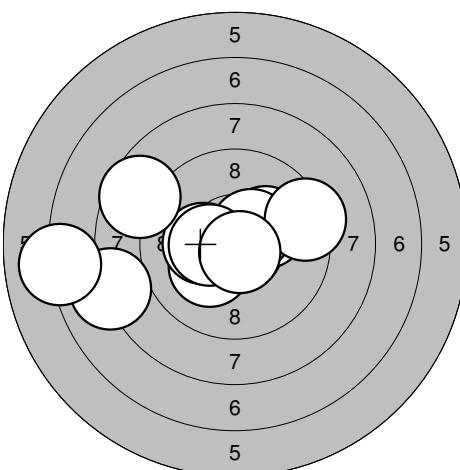


21: 10,7\* ↑  
 22: 9,4 →  
 23: 9,4 ↗  
 24: 10,0 →  
 25: 9,6 ↗  
 26: 10,0 ↗  
 27: 9,9 ↓  
 28: 10,6\* ↓  
 29: 9,9 →  
 30: 8,5 ↗

Serie 93,0

Totalt 276,0

60 shot



31: 10,2\* ↙  
 32: 8,0 ←  
 33: 10,3\* ←  
 34: 10,2\* ↗  
 35: 8,6 ↙  
 36: 10,5\* ↗  
 37: 9,3 →  
 38: 10,4\* ←  
 39: 7,1 ←  
 40: 10,7\* ↘

Serie 92,0

Totalt 368,0

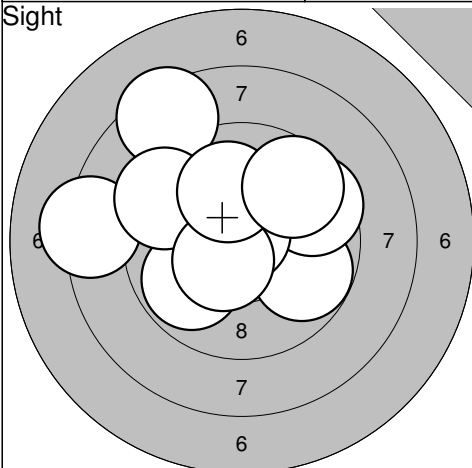
Umeå

2011-04-09

UME-Kulan 2011

Umeå skytteallians

Sight

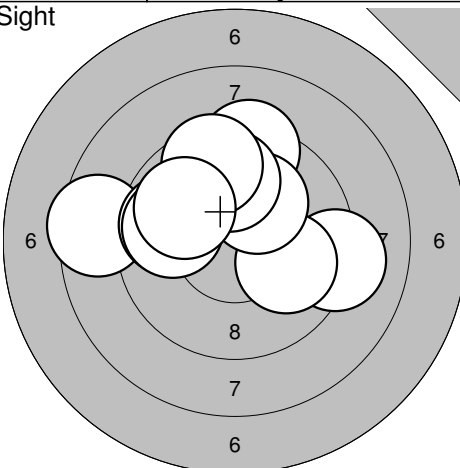


1: 9,8 →  
 2: 8,4 ↗  
 3: 8,3 ←  
 4: 9,8 ↙  
 5: 9,4 ↖  
 6: 9,6 →  
 7: 10,8\* ↑  
 8: 10,5\* ↙  
 9: 10,1 ↑  
 10: 9,6 ↗

Serie 91,0

Totalt 0,0

Sight

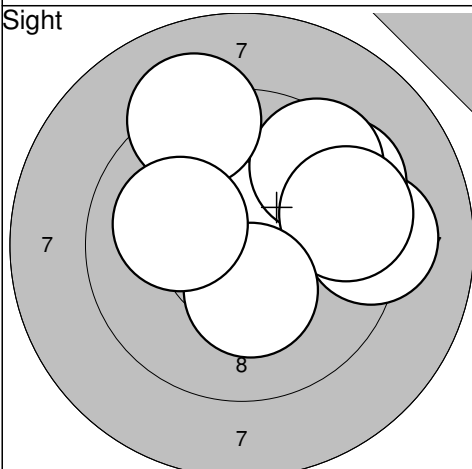


11: 9,3 ↑  
 12: 9,1 →  
 13: 8,5 ←  
 14: 9,8 ←  
 15: 9,8 ←  
 16: 10,0 →  
 17: 10,2\* ↗  
 18: 9,9 ↑  
 19: 9,6 ↑  
 20: 9,9 ↖

Serie 91,0

Totalt 0,0

Sight

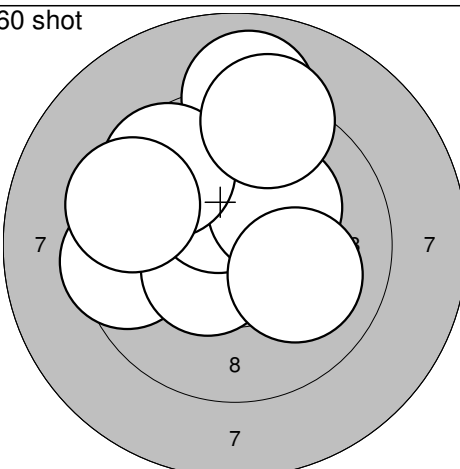


21: 9,2 →  
 22: 10,5\* ↖  
 23: 9,4 ↗  
 24: 9,5 ↗  
 25: 9,2 ↑  
 26: 9,5 →  
 27: 10,3\* ↓  
 28: 10,1 ←

Serie 75,0

Totalt 0,0

60 shot

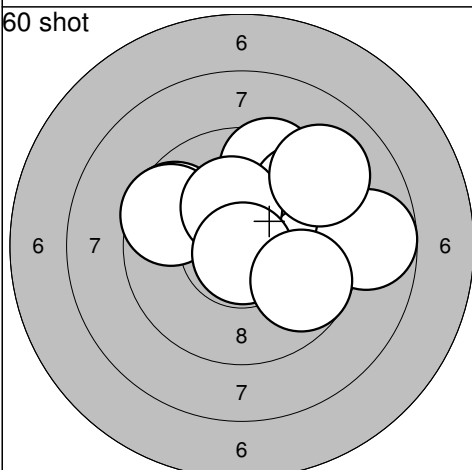


1: 9,5 ←  
 2: 10,3\* ↑  
 3: 10,5\* ↙  
 4: 9,0 ↑  
 5: 10,4\* ↗  
 6: 10,2\* ↗  
 7: 9,6 ↗  
 8: 9,5 ←  
 9: 10,0 →  
 10: 9,2 ↑

Serie 95,0

Totalt 95,0

60 shot

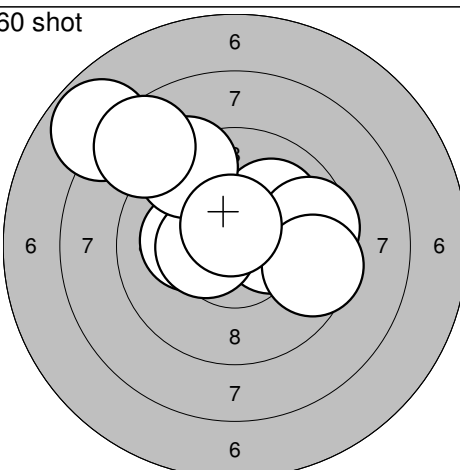


11: 9,5 ↑  
 12: 9,6 ←  
 13: 9,6 ←  
 14: 9,6 ↗  
 15: 9,7 →  
 16: 10,2\* ↑  
 17: 8,7 →  
 18: 10,8\* ↓  
 19: 9,7 →  
 20: 9,1 ↗

Serie 91,0

Totalt 186,0

60 shot

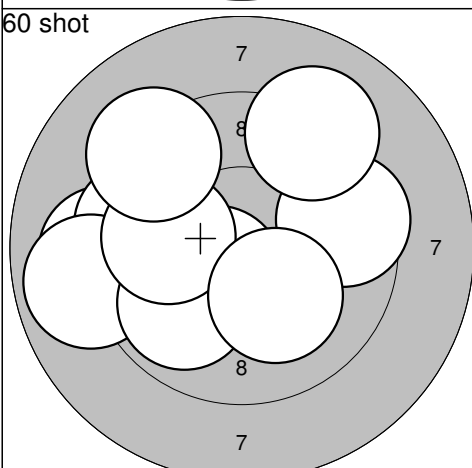


21: 10,3\* →  
 22: 10,2\* ←  
 23: 10,4\* ←  
 24: 7,8 ↗  
 25: 10,0 ↗  
 26: 9,3 ↗  
 27: 9,6 →  
 28: 9,5 →  
 29: 8,6 ↗  
 30: 10,6\* ↑

Serie 92,0

Totalt 278,0

60 shot



31: 10,5\* ↙  
 32: 9,1 ←  
 33: 9,6 ←  
 34: 8,9 ←  
 35: 9,9 ↙  
 36: 10,0 ←  
 37: 9,5 →  
 38: 10,2\* ↓  
 39: 9,2 ↗  
 40: 9,2 ↖

Serie 92,0

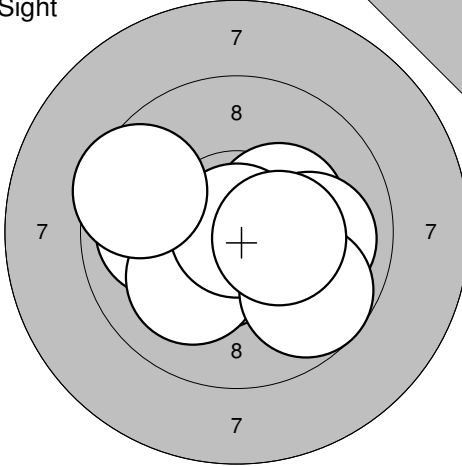
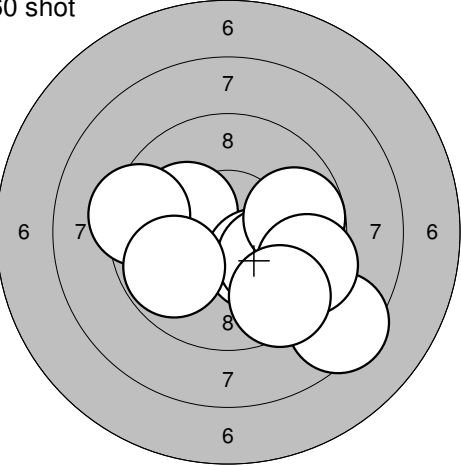
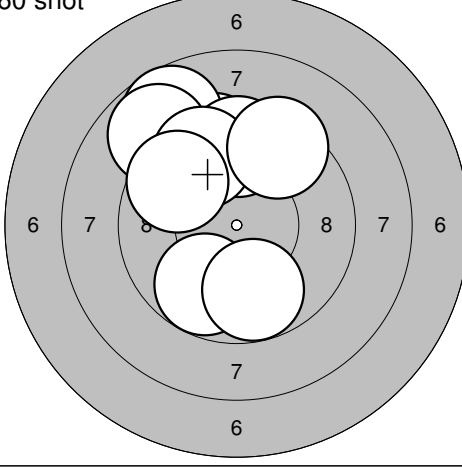
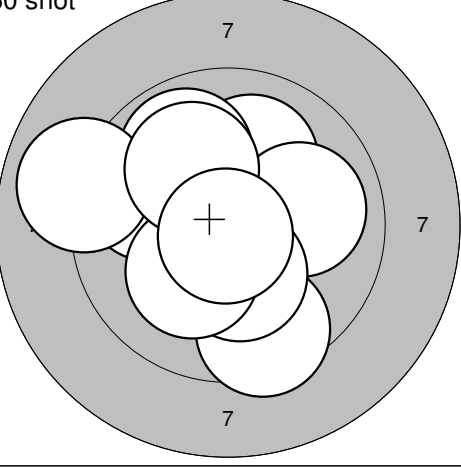
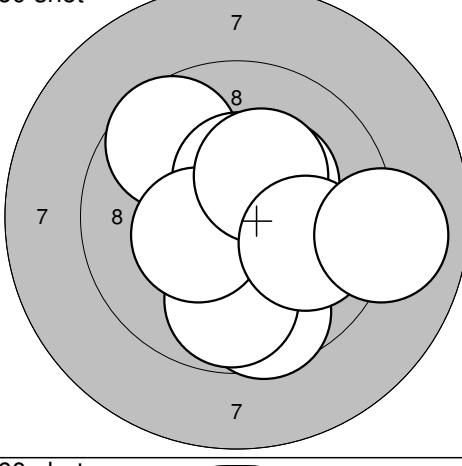
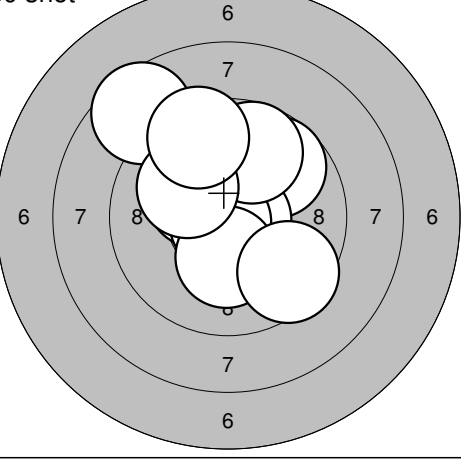
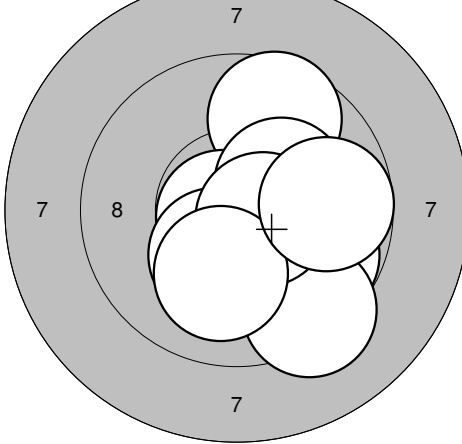
Totalt 370,0

Kubikenborg

2011-04-09

UME-Kulan 2011

Umeå skytteallians

<p>Sight</p> 	<p>60 shot</p> 	<p>1: 10,3* ↗ 2: 10,5* ↓ 3: 10,0 ← 4: 10,2* → 5: 10,1 ↓ 6: 10,0 → 7: 10,9* ↗ 8: 9,6 ↖ 9: 9,7 ↓ 10: 10,4* →</p> <p>Serie 98,0 Totalt 0,0</p>	<p>1: 10,2* ↖ 2: 9,4 ↓ 3: 8,4 ↓ 4: 10,3* ↓ 5: 10,1 ↓ 6: 9,8 → 7: 9,4 ↘ 8: 9,5 ↓ 9: 9,4 ← 10: 9,8 ↙</p> <p>Serie 92,0 Totalt 92,0</p>
<p>60 shot</p> 	<p>60 shot</p> 	<p>11: 9,8 ↓ 12: 9,8 ↓ 13: 9,0 ↗ 14: 9,5 ↗ 15: 8,7 ↗ 16: 8,8 ↗ 17: 9,6 ↗ 18: 9,6 ↗ 19: 9,7 ↗ 20: 9,4 ↗</p> <p>Serie 88,0 Totalt 180,0</p>	<p>21: 9,8 ↖ 22: 9,5 ↓ 23: 10,1 ↗ 24: 9,9 ↗ 25: 10,0 → 26: 10,3* ↓ 27: 9,0 ← 28: 10,2* ↓ 29: 10,1 ↗ 30: 10,8* ↓</p> <p>Serie 96,0 Totalt 276,0</p>
<p>60 shot</p> 	<p>60 shot</p> 	<p>31: 9,6 ↗ 32: 9,6 ↓ 33: 9,8 ↓ 34: 10,3* ↗ 35: 10,8* ↑ 36: 10,5* ↑ 37: 10,4* ← 38: 10,3* ↗ 39: 10,0 → 40: 9,0 →</p> <p>Serie 96,0 Totalt 372,0</p>	<p>41: 9,7 ↗ 42: 10,3* ↗ 43: 10,7* → 44: 10,8* ↙ 45: 8,6 ↗ 46: 10,2* ↓ 47: 9,7 ↗ 48: 10,1 ↗ 49: 9,5 ↗ 50: 9,5 ↓</p> <p>Serie 94,0 Totalt 466,0</p>
<p>60 shot</p> 	<p>51: 10,0 ↓ 52: 9,8 ↓ 53: 9,6 ↗ 54: 9,3 ↓ 55: 10,7* ↖ 56: 10,3* ↓ 57: 10,3* → 58: 10,6* → 59: 10,1 ↓ 60: 9,7 →</p> <p>Serie 96,0 Totalt 562,0</p>		

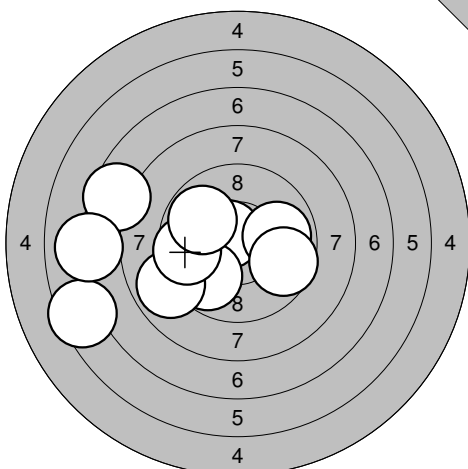
Ramselefors

2011-04-09

UME-Kulan 2011

Umeå skytteallians

Sight



1: 10,6\*



2: 9,8



3: 8,9



4: 9,6



5: 9,9



6: 6,5



7: 7,6



8: 9,9



9: 7,0



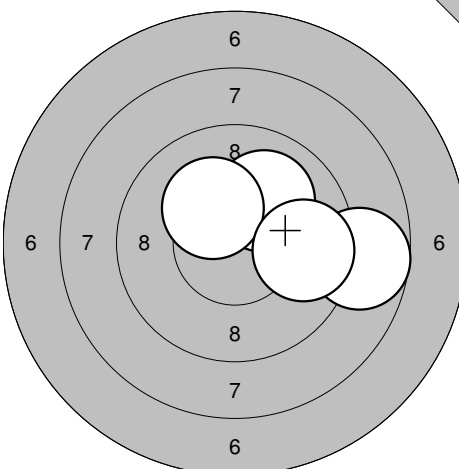
10: 9,6



Serie 83,0

Totalt 0,0

Sight



11: 10,1



12: 10,2\*



13: 8,7



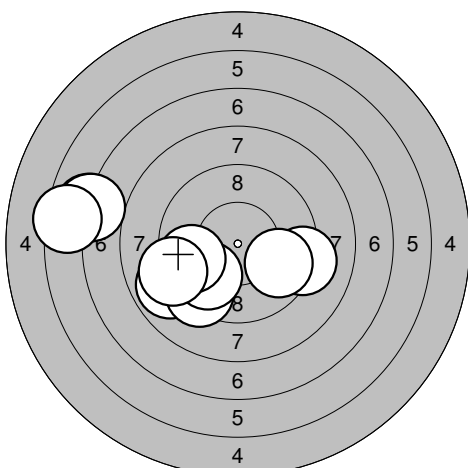
14: 9,7



Serie 37,0

Totalt 0,0

60 shot



1: 8,9



2: 9,3



3: 9,2



4: 9,8



5: 9,8



6: 6,9



7: 9,7



8: 7,0



9: 6,4



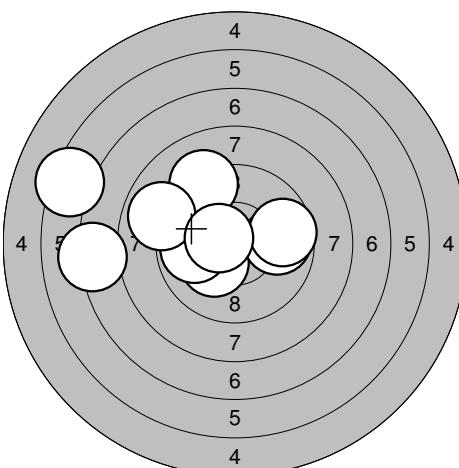
10: 9,1



Serie 81,0

Totalt 81,0

60 shot



11: 10,2\*



12: 9,5



13: 9,8



14: 9,2



15: 9,9



16: 6,3



17: 7,2



18: 8,9



19: 9,7



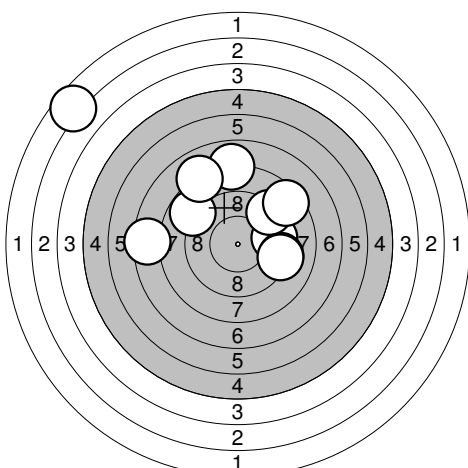
20: 10,5\*



Serie 86,0

Totalt 167,0

60 shot



21: 9,5



22: 8,8



23: 9,2



24: 7,9



25: 9,2



26: 7,4



27: 8,0



28: 2,6



29: 9,2



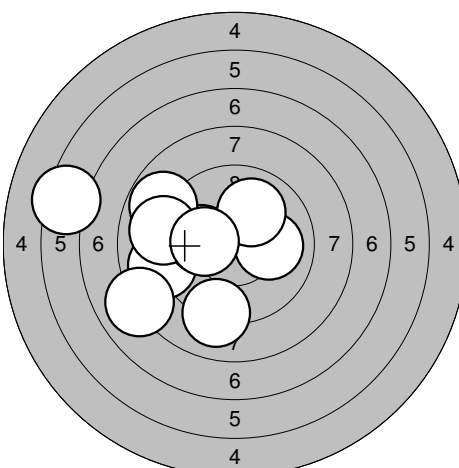
30: 8,5



Serie 76,0

Totalt 243,0

60 shot



31: 9,0



32: 10,1



33: 8,8



34: 8,0



35: 10,1



36: 9,1



37: 6,4



38: 9,1



39: 10,0



40: 10,2\*



Serie 89,0

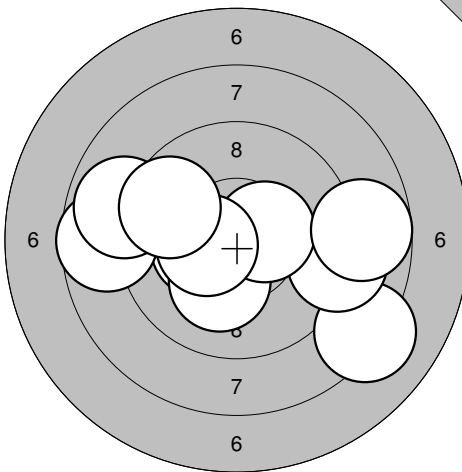
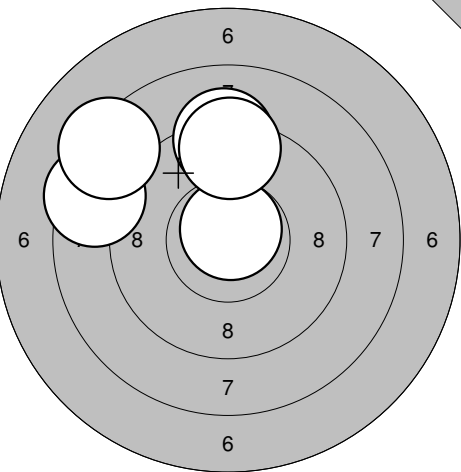
Totalt 332,0

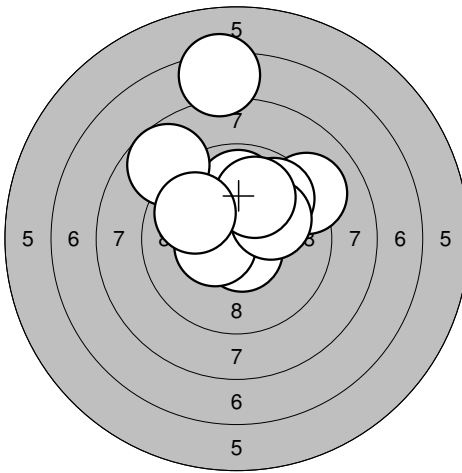
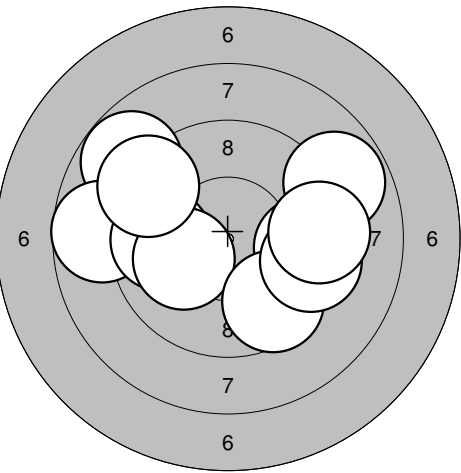
Aspås

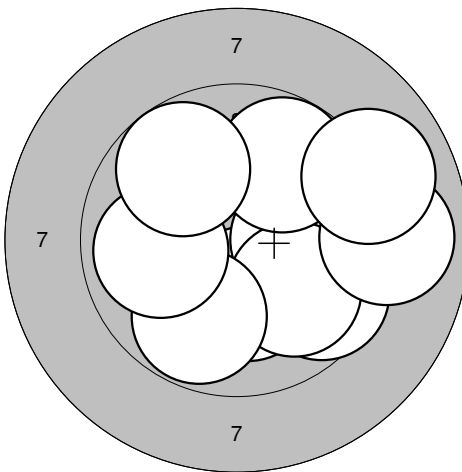
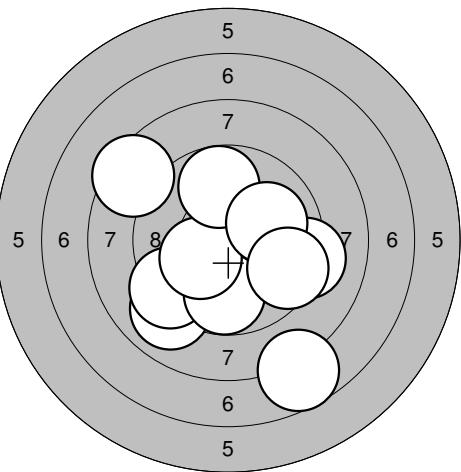
2011-04-09

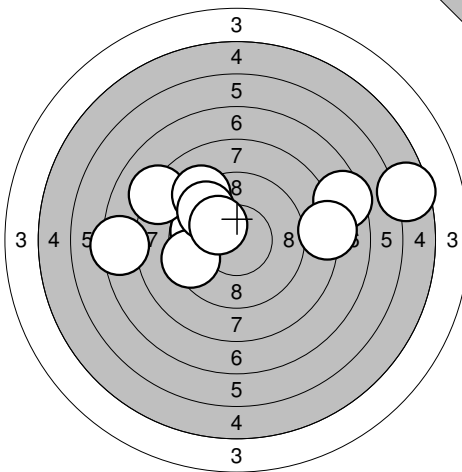
UME-Kulan 2011

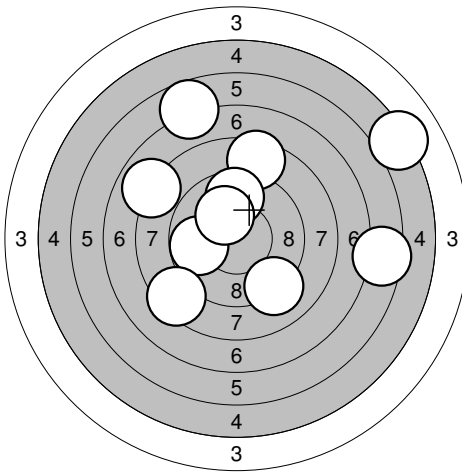
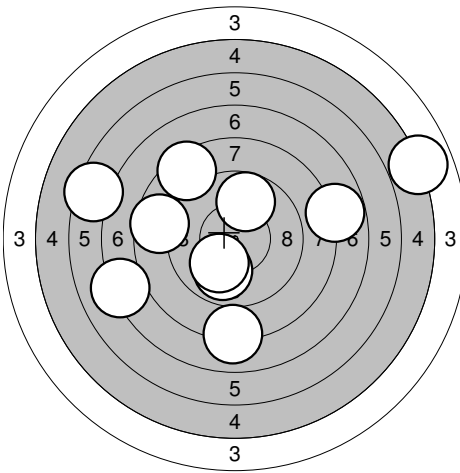
Umeå skytteallians

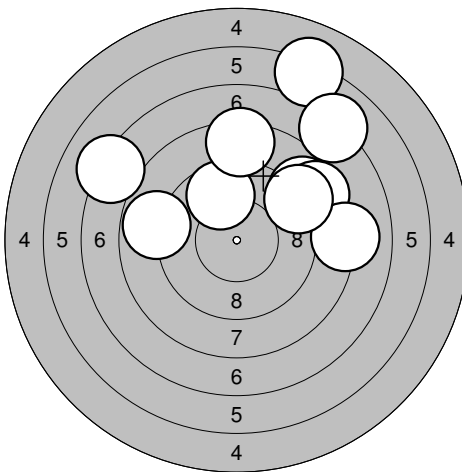
<p>Sight</p> 	<p>Sight</p> 	
<p>1: 10,3* ←</p> <p>2: 10,2* ↓</p> <p>3: 8,2 ↓</p> <p>4: 8,7 ←</p> <p>5: 9,1 →</p> <p>6: 10,4* →</p> <p>7: 8,7 →</p> <p>8: 10,4* ←</p> <p>9: 8,9 ←</p> <p>10: 9,6 ↖</p>	<p>11: 8,5 ←</p> <p>12: 8,3 ↖</p> <p>13: 9,2 ↑</p> <p>14: 10,8* ↑</p> <p>15: 9,3 ↑</p>	
Serie 90,0	Serie 44,0	
Totalt 0,0	Totalt 0,0	

<p>60 shot</p> 	<p>60 shot</p> 	
<p>1: 9,1 ↗</p> <p>2: 9,9 ↑</p> <p>3: 9,8 ↗</p> <p>4: 10,6* ↓</p> <p>5: 10,5* ←</p> <p>6: 7,3 ↑</p> <p>7: 8,8 ↗</p> <p>8: 10,1 ↗</p> <p>9: 10,0 ↑</p> <p>10: 9,9 ↖</p>	<p>11: 9,6 →</p> <p>12: 8,8 ↖</p> <p>13: 8,7 ←</p> <p>14: 9,8 ←</p> <p>15: 10,1 ←</p> <p>16: 9,6 ↓</p> <p>17: 8,8 ↗</p> <p>18: 9,3 ↖</p> <p>19: 9,4 →</p> <p>20: 9,3 →</p>	
Serie 91,0	Serie 88,0	
Totalt 91,0	Totalt 179,0	

<p>60 shot</p> 	<p>60 shot</p> 	
<p>21: 10,2* ↓</p> <p>22: 9,6 ↓</p> <p>23: 10,1 →</p> <p>24: 9,9 ↓</p> <p>25: 9,8 ↗</p> <p>26: 8,9 →</p> <p>27: 9,8 ↓</p> <p>28: 9,0 ↗</p> <p>29: 9,9 ←</p> <p>30: 9,8 ↖</p>	<p>31: 7,7 ↓</p> <p>32: 9,0 ↓</p> <p>33: 9,3 ↖</p> <p>34: 9,8 ↓</p> <p>35: 8,4 ↖</p> <p>36: 9,2 →</p> <p>37: 10,2* ↖</p> <p>38: 9,8 ↑</p> <p>39: 10,0 ↗</p> <p>40: 9,5 ↘</p>	
Serie 91,0	Serie 89,0	
Totalt 270,0	Totalt 359,0	

<p>Sight</p> 	<p>60 shot</p> <table style="width:100%; border-collapse: collapse;"> <tr><td>1: 9,8</td><td style="text-align: right;">←</td></tr> <tr><td>2: 8,2</td><td style="text-align: right;">↗</td></tr> <tr><td>3: 7,4</td><td style="text-align: right;">←</td></tr> <tr><td>4: 9,2</td><td style="text-align: right;">↗</td></tr> <tr><td>5: 7,5</td><td style="text-align: right;">↘</td></tr> <tr><td>6: 9,4</td><td style="text-align: right;">←</td></tr> <tr><td>7: 8,2</td><td style="text-align: right;">→</td></tr> <tr><td>8: 9,7</td><td style="text-align: right;">↗</td></tr> <tr><td>9: 5,5</td><td style="text-align: right;">→</td></tr> <tr><td>10: 10,2*</td><td style="text-align: right;">↖</td></tr> <tr><td colspan="2" style="border-top: 1px solid black;">Serie 81,0</td></tr> <tr><td colspan="2" style="border-top: 1px solid black;">Totalt 0,0</td></tr> </table>	1: 9,8	←	2: 8,2	↗	3: 7,4	←	4: 9,2	↗	5: 7,5	↘	6: 9,4	←	7: 8,2	→	8: 9,7	↗	9: 5,5	→	10: 10,2*	↖	Serie 81,0		Totalt 0,0		 <table style="width:100%; border-collapse: collapse;"> <tr><td>1: 7,3</td><td style="text-align: right;">↗</td></tr> <tr><td>2: 9,4</td><td style="text-align: right;">↖</td></tr> <tr><td>3: 4,6</td><td style="text-align: right;">↘</td></tr> <tr><td>4: 9,1</td><td style="text-align: right;">↖</td></tr> <tr><td>5: 9,3</td><td style="text-align: right;">←</td></tr> <tr><td>6: 9,7</td><td style="text-align: right;">↗</td></tr> <tr><td>7: 6,3</td><td style="text-align: right;">←</td></tr> <tr><td>8: 10,1</td><td style="text-align: right;">←</td></tr> <tr><td>9: 9,9</td><td style="text-align: right;">↑</td></tr> <tr><td>10: 1,7</td><td style="text-align: right;">←</td></tr> <tr><td colspan="2" style="border-top: 1px solid black;">Serie 73,0</td></tr> <tr><td colspan="2" style="border-top: 1px solid black;">Totalt 73,0</td></tr> </table>	1: 7,3	↗	2: 9,4	↖	3: 4,6	↘	4: 9,1	↖	5: 9,3	←	6: 9,7	↗	7: 6,3	←	8: 10,1	←	9: 9,9	↑	10: 1,7	←	Serie 73,0		Totalt 73,0	
1: 9,8	←																																																	
2: 8,2	↗																																																	
3: 7,4	←																																																	
4: 9,2	↗																																																	
5: 7,5	↘																																																	
6: 9,4	←																																																	
7: 8,2	→																																																	
8: 9,7	↗																																																	
9: 5,5	→																																																	
10: 10,2*	↖																																																	
Serie 81,0																																																		
Totalt 0,0																																																		
1: 7,3	↗																																																	
2: 9,4	↖																																																	
3: 4,6	↘																																																	
4: 9,1	↖																																																	
5: 9,3	←																																																	
6: 9,7	↗																																																	
7: 6,3	←																																																	
8: 10,1	←																																																	
9: 9,9	↑																																																	
10: 1,7	←																																																	
Serie 73,0																																																		
Totalt 73,0																																																		

<p>60 shot</p> 	<p>60 shot</p> <table style="width:100%; border-collapse: collapse;"> <tr><td>11: 5,1</td><td style="text-align: right;">↗</td></tr> <tr><td>12: 8,5</td><td style="text-align: right;">↑</td></tr> <tr><td>13: 9,7</td><td style="text-align: right;">↑</td></tr> <tr><td>14: 9,8</td><td style="text-align: right;">←</td></tr> <tr><td>15: 7,9</td><td style="text-align: right;">↖</td></tr> <tr><td>16: 8,4</td><td style="text-align: right;">↘</td></tr> <tr><td>17: 10,2*</td><td style="text-align: right;">↗</td></tr> <tr><td>18: 9,1</td><td style="text-align: right;">↘</td></tr> <tr><td>19: 6,5</td><td style="text-align: right;">→</td></tr> <tr><td>20: 6,7</td><td style="text-align: right;">↗</td></tr> <tr><td colspan="2" style="border-top: 1px solid black;">Serie 77,0</td></tr> <tr><td colspan="2" style="border-top: 1px solid black;">Totalt 150,0</td></tr> </table>	11: 5,1	↗	12: 8,5	↑	13: 9,7	↑	14: 9,8	←	15: 7,9	↖	16: 8,4	↘	17: 10,2*	↗	18: 9,1	↘	19: 6,5	→	20: 6,7	↗	Serie 77,0		Totalt 150,0		 <table style="width:100%; border-collapse: collapse;"> <tr><td>21: 4,9</td><td style="text-align: right;">↗</td></tr> <tr><td>22: 8,0</td><td style="text-align: right;">↓</td></tr> <tr><td>23: 7,1</td><td style="text-align: right;">←</td></tr> <tr><td>24: 9,9</td><td style="text-align: right;">↘</td></tr> <tr><td>25: 8,6</td><td style="text-align: right;">←</td></tr> <tr><td>26: 8,4</td><td style="text-align: right;">↗</td></tr> <tr><td>27: 7,8</td><td style="text-align: right;">→</td></tr> <tr><td>28: 10,1</td><td style="text-align: right;">↘</td></tr> <tr><td>29: 6,4</td><td style="text-align: right;">←</td></tr> <tr><td>30: 9,8</td><td style="text-align: right;">↗</td></tr> <tr><td colspan="2" style="border-top: 1px solid black;">Serie 76,0</td></tr> <tr><td colspan="2" style="border-top: 1px solid black;">Totalt 226,0</td></tr> </table>	21: 4,9	↗	22: 8,0	↓	23: 7,1	←	24: 9,9	↘	25: 8,6	←	26: 8,4	↗	27: 7,8	→	28: 10,1	↘	29: 6,4	←	30: 9,8	↗	Serie 76,0		Totalt 226,0	
11: 5,1	↗																																																	
12: 8,5	↑																																																	
13: 9,7	↑																																																	
14: 9,8	←																																																	
15: 7,9	↖																																																	
16: 8,4	↘																																																	
17: 10,2*	↗																																																	
18: 9,1	↘																																																	
19: 6,5	→																																																	
20: 6,7	↗																																																	
Serie 77,0																																																		
Totalt 150,0																																																		
21: 4,9	↗																																																	
22: 8,0	↓																																																	
23: 7,1	←																																																	
24: 9,9	↘																																																	
25: 8,6	←																																																	
26: 8,4	↗																																																	
27: 7,8	→																																																	
28: 10,1	↘																																																	
29: 6,4	←																																																	
30: 9,8	↗																																																	
Serie 76,0																																																		
Totalt 226,0																																																		

<p>60 shot</p> 	<table style="width:100%; border-collapse: collapse;"> <tr><td>31: 8,8</td><td style="text-align: right;">↗</td></tr> <tr><td>32: 8,6</td><td style="text-align: right;">↗</td></tr> <tr><td>33: 6,2</td><td style="text-align: right;">↑</td></tr> <tr><td>34: 7,1</td><td style="text-align: right;">↗</td></tr> <tr><td>35: 7,2</td><td style="text-align: right;">↖</td></tr> <tr><td>36: 8,1</td><td style="text-align: right;">→</td></tr> <tr><td>37: 9,0</td><td style="text-align: right;">↗</td></tr> <tr><td>38: 9,7</td><td style="text-align: right;">↗</td></tr> <tr><td>39: 8,4</td><td style="text-align: right;">↑</td></tr> <tr><td>40: 8,8</td><td style="text-align: right;">←</td></tr> <tr><td colspan="2" style="border-top: 1px solid black;">Serie 78,0</td></tr> <tr><td colspan="2" style="border-top: 1px solid black;">Totalt 304,0</td></tr> </table>	31: 8,8	↗	32: 8,6	↗	33: 6,2	↑	34: 7,1	↗	35: 7,2	↖	36: 8,1	→	37: 9,0	↗	38: 9,7	↗	39: 8,4	↑	40: 8,8	←	Serie 78,0		Totalt 304,0		
31: 8,8	↗																									
32: 8,6	↗																									
33: 6,2	↑																									
34: 7,1	↗																									
35: 7,2	↖																									
36: 8,1	→																									
37: 9,0	↗																									
38: 9,7	↗																									
39: 8,4	↑																									
40: 8,8	←																									
Serie 78,0																										
Totalt 304,0																										



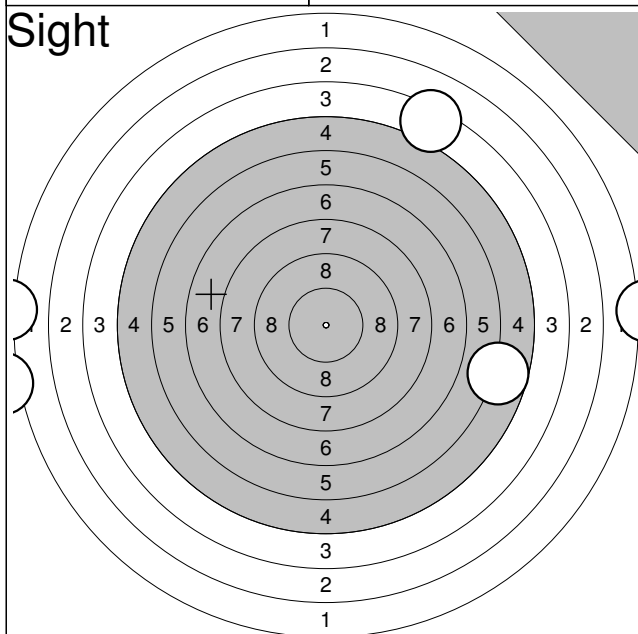
Ramselefors

2011-04-09

UME-Kulan 2011

Umeå skytteallians

Sight

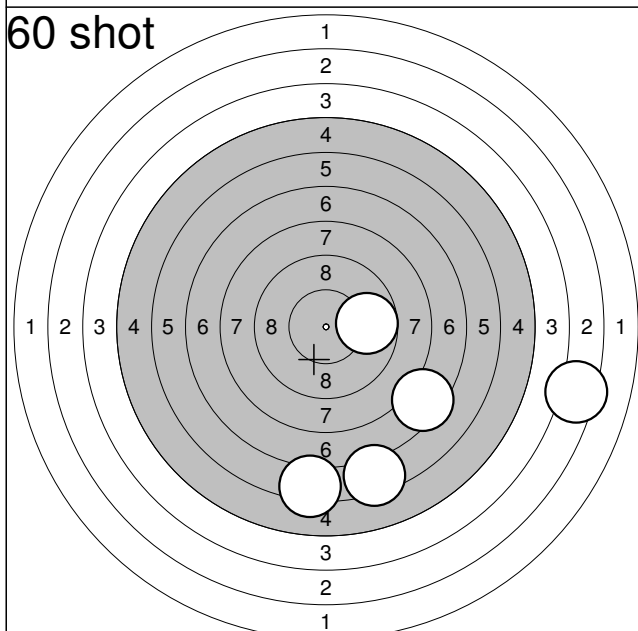


1:	0,0	↗
2:	1,6	→
3:	0,0	↖
4:	1,4	←
5:	0,0	↓
6:	1,6	←
7:	4,3	↗
8:	5,7	→

Serie 12,0

Totalt 0,0

60 shot

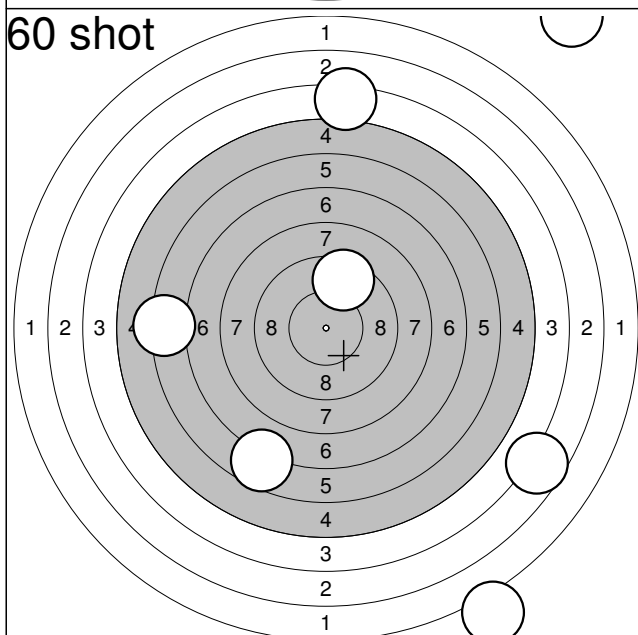


1:	3,4	→
2:	6,3	↓
3:	0,0	←
4:	0,0	←
5:	0,0	↑
6:	0,0	↓
7:	6,4	↓
8:	7,4	↘
9:	9,8	→
10:	0,0	→

Serie 31,0

Totalt 31,0

60 shot



11:	0,0	↗
12:	6,7	↓
13:	6,3	←
14:	0,0	↑
15:	0,0	↓
16:	0,0	↓
17:	1,3	↘
18:	3,6	↘
19:	4,3	↑
20:	9,5	↗

Serie 29,0

Totalt 60,0

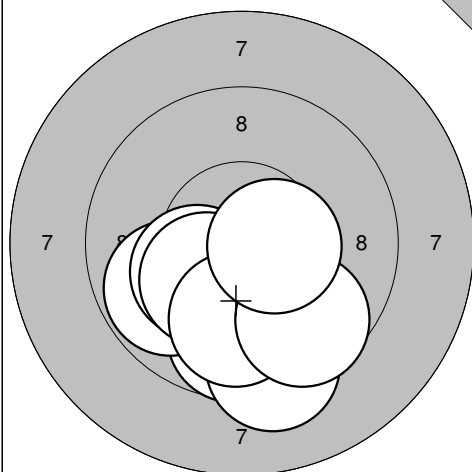
Vännäs

2011-04-09

UME-Kulan 2011

Umeå skytteallians

Sight

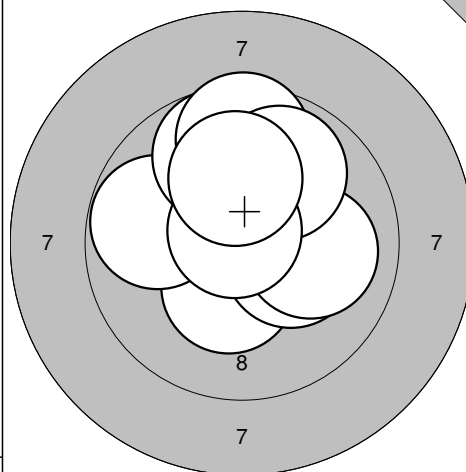


1: 9,7 ↓  
 2: 10,3\* ↓  
 3: 9,8 ↙  
 4: 10,2\* ↙  
 5: 10,3\* ↓  
 6: 10,3\* ↙  
 7: 9,3 ↓  
 8: 9,9 ↓  
 9: 9,6 ↓  
 10: 10,5\* →

Serie 99,9

Totalt 0,0

Sight

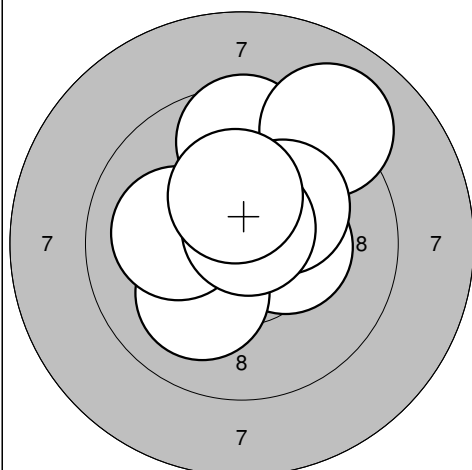


11: 10,3\* ↓  
 12: 9,8 ←  
 13: 10,3\* →  
 14: 9,8 ↑  
 15: 10,0 →  
 16: 9,6 ↑  
 17: 9,9 ↗  
 18: 10,8\* ↗  
 19: 10,1 ↑

Serie 90,6

Totalt 0,0

60 shot

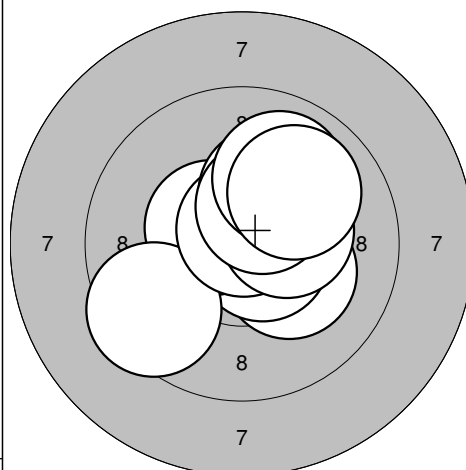


1: 9,6 ↑  
 2: 10,4\* →  
 3: 10,7\* ↙  
 4: 10,5\* ←  
 5: 9,1 ↗  
 6: 10,1 ↙  
 7: 10,1 ←  
 8: 10,2\* ↗  
 9: 10,7\* ↗  
 10: 10,3\* ↑

Serie 101,7

Totalt 101,7

60 shot

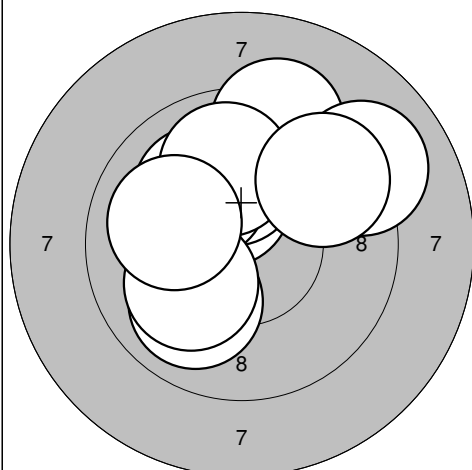


11: 10,2\* ↘  
 12: 10,6\* ↘  
 13: 10,5\* ↙  
 14: 9,5 ↙  
 15: 10,8\* ↑  
 16: 10,3\* →  
 17: 10,2\* ↗  
 18: 10,4\* ↗  
 19: 9,9 ↗  
 20: 10,0 ↗

Serie 102,4

Totalt 204,1

60 shot

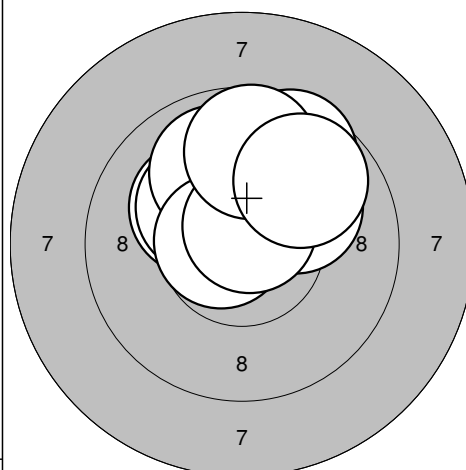


21: 10,3\* ↗  
 22: 9,3 ↑  
 23: 9,1 →  
 24: 10,1 ↑  
 25: 10,1 ↖  
 26: 10,0 ↙  
 27: 9,9 ↑  
 28: 10,1 ↙  
 29: 9,6 ↗  
 30: 10,0 ←

Serie 98,5

Totalt 302,6

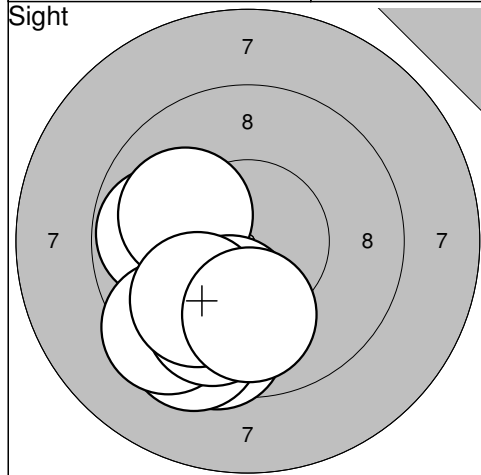
60 shot



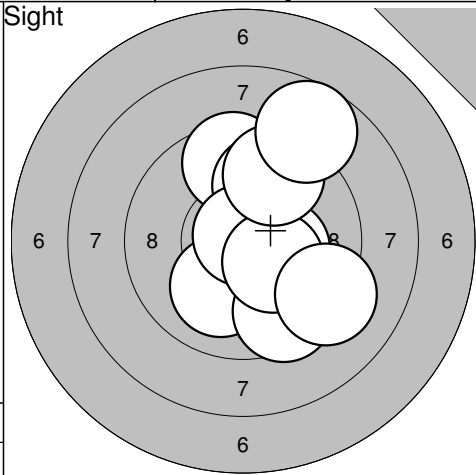
31: 10,2\* ↖  
 32: 10,1 ↗  
 33: 10,2\* ↖  
 34: 9,9 ↑  
 35: 9,6 ↗  
 36: 10,7\* ↑  
 37: 10,7\* ←  
 38: 10,7\* ↗  
 39: 9,7 ↑  
 40: 9,8 ↗

Serie 101,6

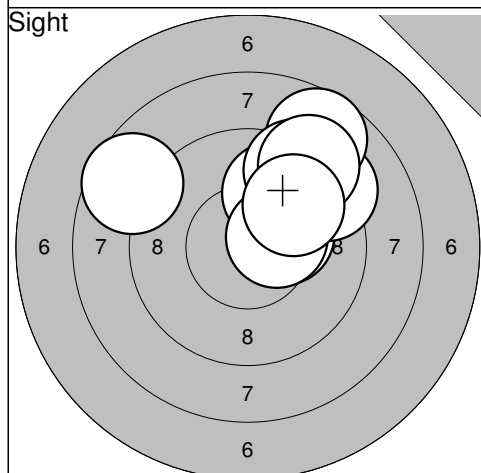
Totalt 404,2



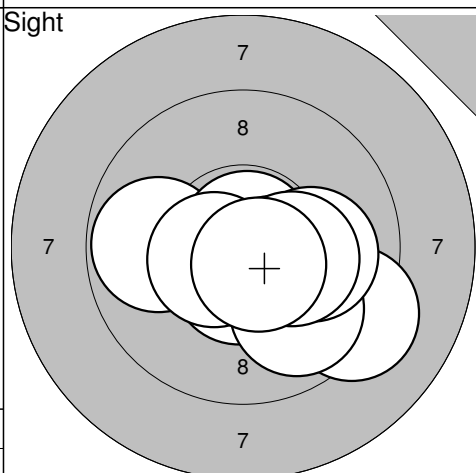
1: 9,7	↘
2: 9,8	←
3: 9,5	↘
4: 10,1	↙
5: 9,4	↘
6: 10,1	↘
7: 9,4	↙
8: 9,8	↘
9: 9,9	↘
10: 10,0	↓
<b>Serie</b>	<b>97,7</b>
<b>Totalt</b>	<b>0,0</b>



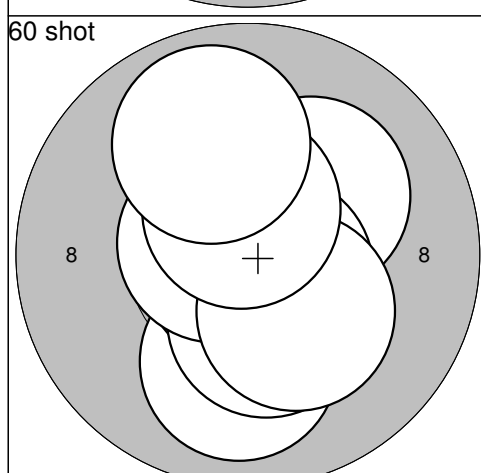
11: 10,1	↘
12: 9,6	↑
13: 9,9	↑
14: 10,3*	→
15: 10,9*	↑
16: 9,5	↘
17: 10,3*	↘
18: 9,2	↘
19: 9,7	↑
20: 8,7	↑
<b>Serie</b>	<b>98,2</b>
<b>Totalt</b>	<b>0,0</b>



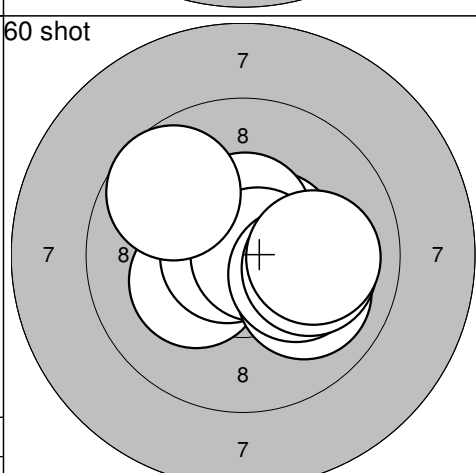
21: 9,3	↗
22: 10,3*	→
23: 8,6	↙
24: 9,2	↗
25: 9,9	↑
26: 8,7	↑
27: 9,4	↑
28: 9,2	↑
29: 10,4*	→
30: 9,9	↗
<b>Serie</b>	<b>94,9</b>
<b>Totalt</b>	<b>0,0</b>



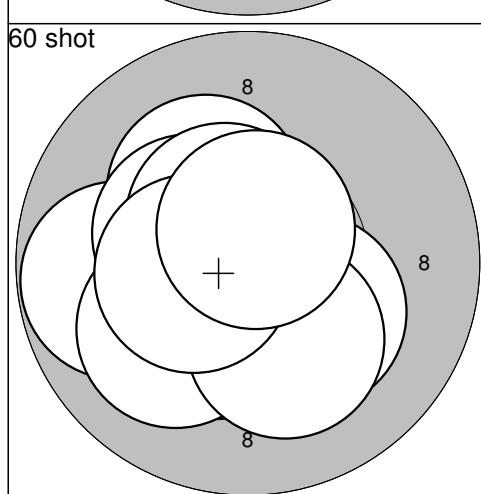
31: 9,2	↘
32: 9,8	←
33: 10,8*	↑
34: 10,5*	↓
35: 10,5*	←
36: 10,5*	↘
37: 9,9	↘
38: 10,0	→
39: 10,3*	→
40: 10,6*	↘
<b>Serie</b>	<b>102,1</b>
<b>Totalt</b>	<b>0,0</b>



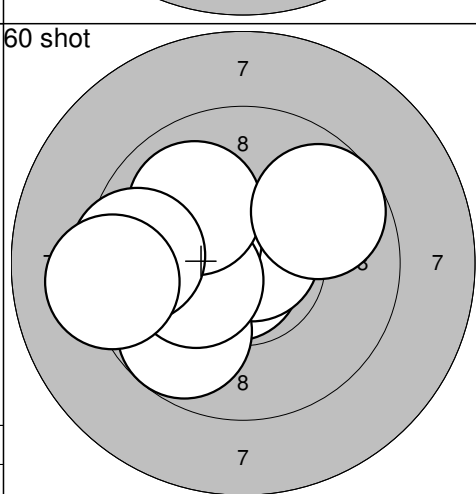
1: 10,0	↓
2: 10,7*	→
3: 10,8*	↘
4: 10,2*	↗
5: 10,7*	↘
6: 10,3*	↘
7: 10,7*	↙
8: 10,3*	↘
9: 10,5*	↑
10: 9,9	↑
<b>Serie</b>	<b>104,1</b>
<b>Totalt</b>	<b>104,1</b>



11: 10,2*	↙
12: 10,5*	↗
13: 10,5*	↑
14: 10,7*	←
15: 10,8*	→
16: 9,7	↑
17: 10,0	↘
18: 10,2*	↘
19: 10,0	→
20: 10,0	→
<b>Serie</b>	<b>102,6</b>
<b>Totalt</b>	<b>206,7</b>



21: 10,4*	↘
22: 10,2*	↑
23: 9,8	←
24: 10,1	↙
25: 10,4*	↗
26: 10,2*	↘
27: 10,5*	↗
28: 10,2*	↘
29: 10,5*	←
30: 10,6*	↑
<b>Serie</b>	<b>102,9</b>
<b>Totalt</b>	<b>309,6</b>



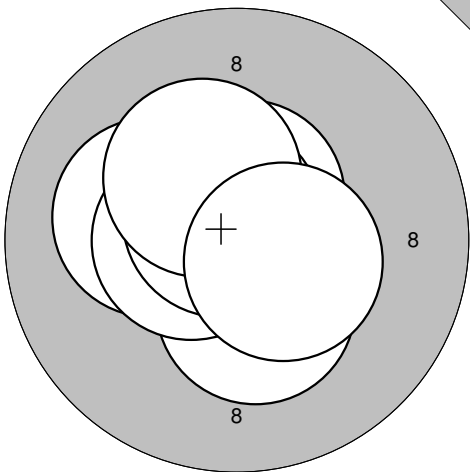
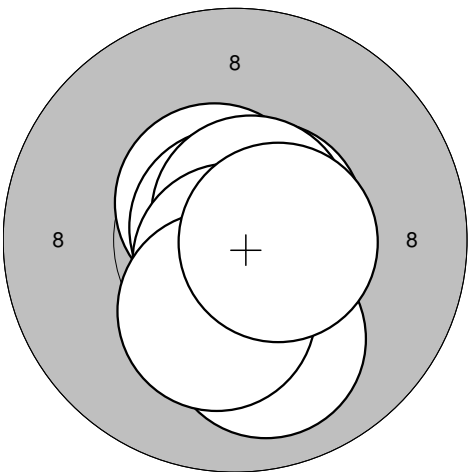
31: 10,8*	↘
32: 10,1	←
33: 10,8*	↗
34: 10,2*	↙
35: 9,8	↘
36: 10,3*	←
37: 10,0	↑
38: 9,7	↗
39: 9,5	←
40: 9,2	←
<b>Serie</b>	<b>100,4</b>
<b>Totalt</b>	<b>410,0</b>

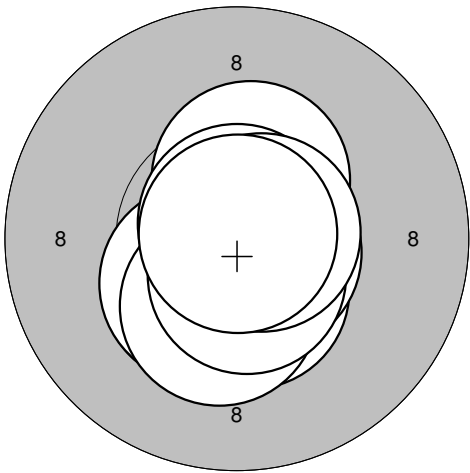
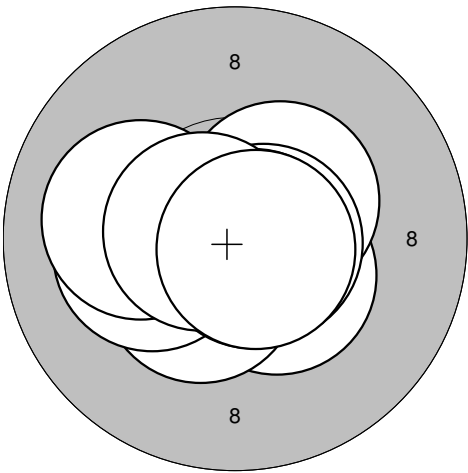
Bastuträsk

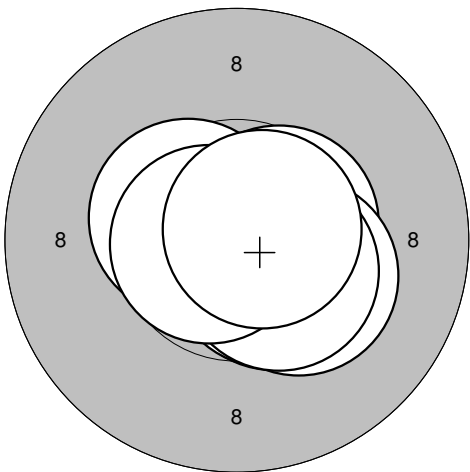
2011-04-09

UME-Kulan 2011

Umeå skytteallians

<p>Sight</p> 	<p>60 shot</p> <table style="width:100%;"> <tr><td>1: 10,2*</td><td>←</td></tr> <tr><td>2: 10,3*</td><td>↓</td></tr> <tr><td>3: 10,5*</td><td>↗</td></tr> <tr><td>4: 10,6*</td><td>↑</td></tr> <tr><td>5: 10,5*</td><td>←</td></tr> <tr><td>6: 10,7*</td><td>↗</td></tr> <tr><td>7: 10,3*</td><td>↗</td></tr> <tr><td>8: 10,5*</td><td>↘</td></tr> </table>	1: 10,2*	←	2: 10,3*	↓	3: 10,5*	↗	4: 10,6*	↑	5: 10,5*	←	6: 10,7*	↗	7: 10,3*	↗	8: 10,5*	↘	 <table style="width:100%;"> <tr><td>1: 10,8*</td><td>→</td></tr> <tr><td>2: 10,6*</td><td>↖</td></tr> <tr><td>3: 10,8*</td><td>↖</td></tr> <tr><td>4: 10,8*</td><td>↗</td></tr> <tr><td>5: 10,6*</td><td>↗</td></tr> <tr><td>6: 10,7*</td><td>↗</td></tr> <tr><td>7: 10,7*</td><td>↓</td></tr> <tr><td>8: 10,0</td><td>↓</td></tr> <tr><td>9: 10,3*</td><td>↓</td></tr> <tr><td>10: 10,6*</td><td>→</td></tr> </table>	1: 10,8*	→	2: 10,6*	↖	3: 10,8*	↖	4: 10,8*	↗	5: 10,6*	↗	6: 10,7*	↗	7: 10,7*	↓	8: 10,0	↓	9: 10,3*	↓	10: 10,6*	→
1: 10,2*	←																																					
2: 10,3*	↓																																					
3: 10,5*	↗																																					
4: 10,6*	↑																																					
5: 10,5*	←																																					
6: 10,7*	↗																																					
7: 10,3*	↗																																					
8: 10,5*	↘																																					
1: 10,8*	→																																					
2: 10,6*	↖																																					
3: 10,8*	↖																																					
4: 10,8*	↗																																					
5: 10,6*	↗																																					
6: 10,7*	↗																																					
7: 10,7*	↓																																					
8: 10,0	↓																																					
9: 10,3*	↓																																					
10: 10,6*	→																																					
Serie 83,6	Serie 105,9																																					
Totalt 0,0	Totalt 105,9																																					

<p>60 shot</p> 	<p>60 shot</p> <table style="width:100%;"> <tr><td>11: 10,4*</td><td>↘</td></tr> <tr><td>12: 10,5*</td><td>↓</td></tr> <tr><td>13: 10,4*</td><td>↖</td></tr> <tr><td>14: 10,4*</td><td>↑</td></tr> <tr><td>15: 10,8*</td><td>↑</td></tr> <tr><td>16: 10,7*</td><td>↘</td></tr> <tr><td>17: 10,3*</td><td>↓</td></tr> <tr><td>18: 10,6*</td><td>↓</td></tr> <tr><td>19: 10,7*</td><td>→</td></tr> <tr><td>20: 10,9*</td><td>↑</td></tr> </table>	11: 10,4*	↘	12: 10,5*	↓	13: 10,4*	↖	14: 10,4*	↑	15: 10,8*	↑	16: 10,7*	↘	17: 10,3*	↓	18: 10,6*	↓	19: 10,7*	→	20: 10,9*	↑	 <table style="width:100%;"> <tr><td>21: 10,4*</td><td>↘</td></tr> <tr><td>22: 10,9*</td><td>↑</td></tr> <tr><td>23: 10,4*</td><td>↗</td></tr> <tr><td>24: 10,7*</td><td>→</td></tr> <tr><td>25: 10,4*</td><td>↘</td></tr> <tr><td>26: 10,2*</td><td>←</td></tr> <tr><td>27: 10,1</td><td>←</td></tr> <tr><td>28: 10,8*</td><td>↘</td></tr> <tr><td>29: 10,7*</td><td>←</td></tr> <tr><td>30: 10,7*</td><td>↘</td></tr> </table>	21: 10,4*	↘	22: 10,9*	↑	23: 10,4*	↗	24: 10,7*	→	25: 10,4*	↘	26: 10,2*	←	27: 10,1	←	28: 10,8*	↘	29: 10,7*	←	30: 10,7*	↘
11: 10,4*	↘																																									
12: 10,5*	↓																																									
13: 10,4*	↖																																									
14: 10,4*	↑																																									
15: 10,8*	↑																																									
16: 10,7*	↘																																									
17: 10,3*	↓																																									
18: 10,6*	↓																																									
19: 10,7*	→																																									
20: 10,9*	↑																																									
21: 10,4*	↘																																									
22: 10,9*	↑																																									
23: 10,4*	↗																																									
24: 10,7*	→																																									
25: 10,4*	↘																																									
26: 10,2*	←																																									
27: 10,1	←																																									
28: 10,8*	↘																																									
29: 10,7*	←																																									
30: 10,7*	↘																																									
Serie 105,7	Serie 105,3																																									
Totalt 211,6	Totalt 316,9																																									

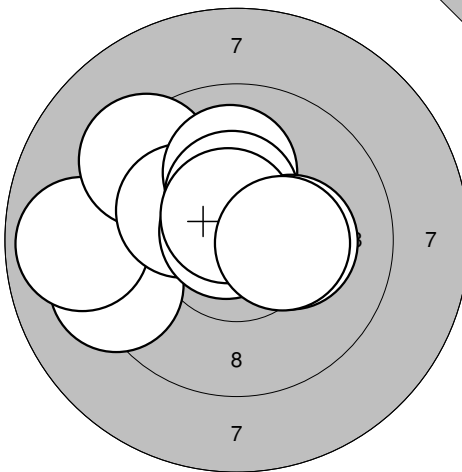
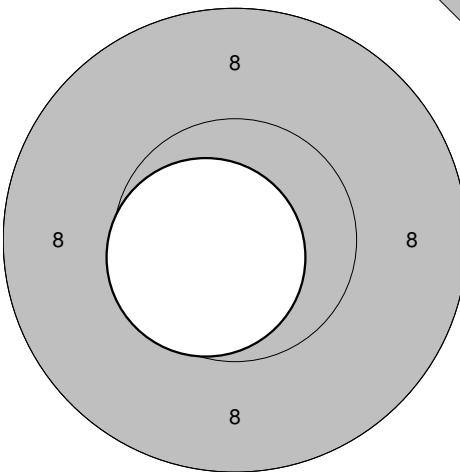
<p>60 shot</p> 	<table style="width:100%;"> <tr><td>31: 10,5*</td><td>↘</td></tr> <tr><td>32: 10,5*</td><td>↘</td></tr> <tr><td>33: 10,6*</td><td>↘</td></tr> <tr><td>34: 10,5*</td><td>→</td></tr> <tr><td>35: 10,3*</td><td>↘</td></tr> <tr><td>36: 10,7*</td><td>↘</td></tr> <tr><td>37: 10,5*</td><td>↘</td></tr> <tr><td>38: 10,5*</td><td>↖</td></tr> <tr><td>39: 10,7*</td><td>←</td></tr> <tr><td>40: 10,7*</td><td>→</td></tr> </table>	31: 10,5*	↘	32: 10,5*	↘	33: 10,6*	↘	34: 10,5*	→	35: 10,3*	↘	36: 10,7*	↘	37: 10,5*	↘	38: 10,5*	↖	39: 10,7*	←	40: 10,7*	→	
31: 10,5*	↘																					
32: 10,5*	↘																					
33: 10,6*	↘																					
34: 10,5*	→																					
35: 10,3*	↘																					
36: 10,7*	↘																					
37: 10,5*	↘																					
38: 10,5*	↖																					
39: 10,7*	←																					
40: 10,7*	→																					
Serie 105,5																						
Totalt 422,4																						

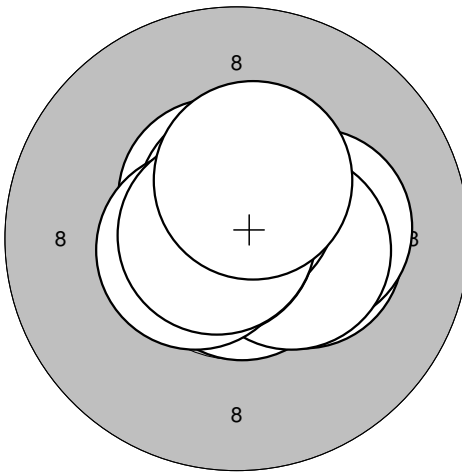
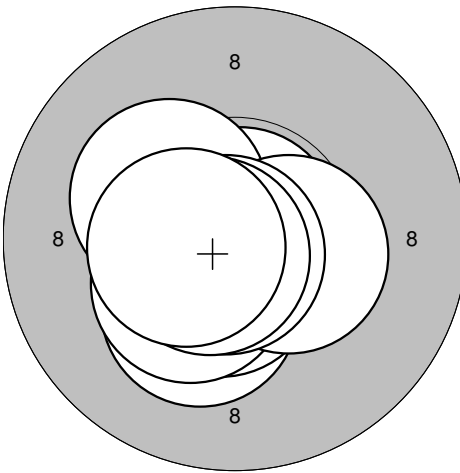
Kyrkås

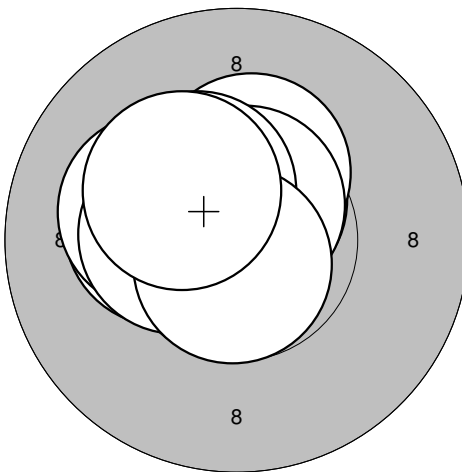
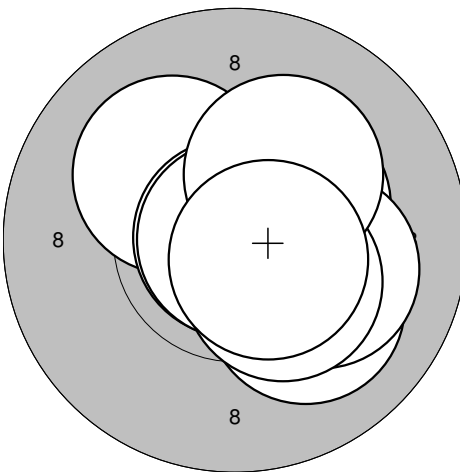
2011-04-09

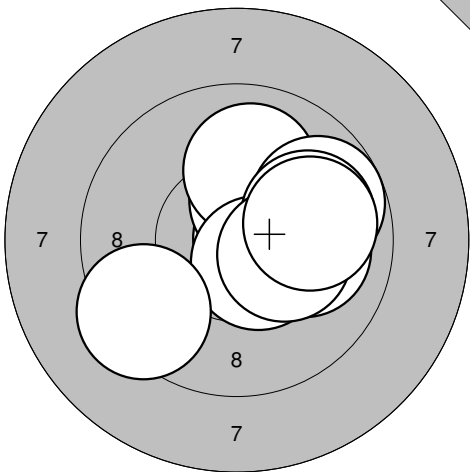
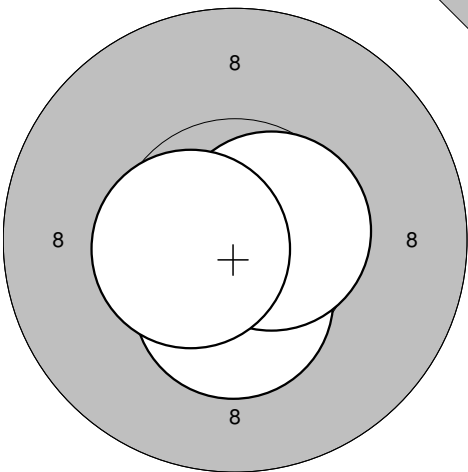
UME-Kulan 2011

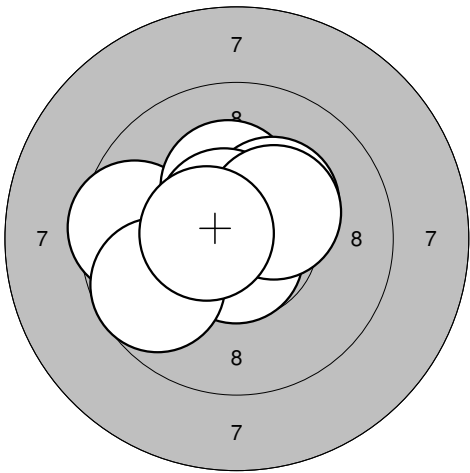
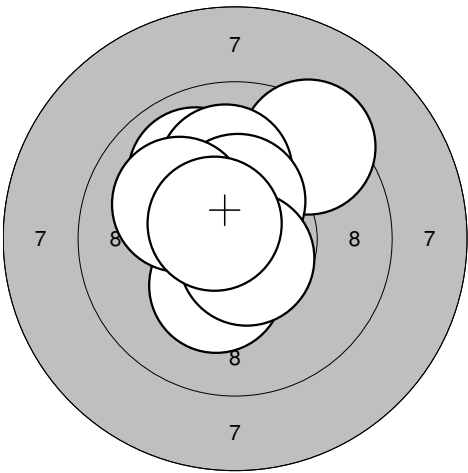
Umeå skytteallians

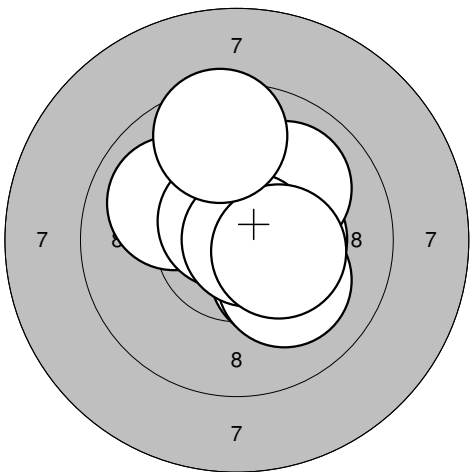
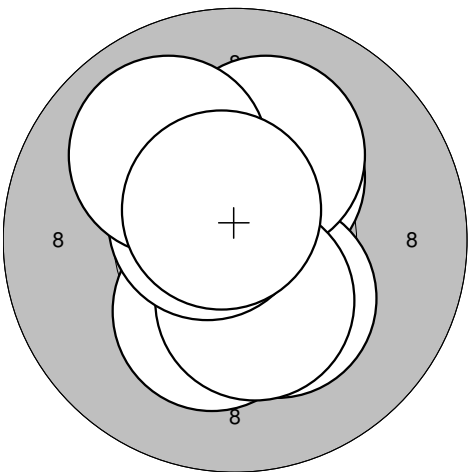
<p style="margin:0;">Sight</p> 	<p style="margin:0;">Sight</p> 	<p style="margin:0;">11: 10,6* ←</p>
<p style="margin:0;">1: 9,2 ←</p> <p style="margin:0;">2: 8,9 ←</p> <p style="margin:0;">3: 9,4 ↗</p> <p style="margin:0;">4: 10,1 ↗</p> <p style="margin:0;">5: 10,0 ↑</p> <p style="margin:0;">6: 10,4* ↑</p> <p style="margin:0;">7: 10,8* ↗</p> <p style="margin:0;">8: 10,2* →</p> <p style="margin:0;">9: 10,6* ↑</p> <p style="margin:0;">10: 10,3* →</p>	<p style="margin:0;">Serie 99,9</p> <p style="margin:0;">Totalt 0,0</p>	<p style="margin:0;">Serie 10,6</p> <p style="margin:0;">Totalt 0,0</p>

<p style="margin:0;">60 shot</p> 	<p style="margin:0;">60 shot</p> 	<p style="margin:0;">11: 10,3* ↓</p> <p style="margin:0;">12: 10,8* ↗</p> <p style="margin:0;">13: 10,5* ←</p> <p style="margin:0;">14: 10,6* ↓</p> <p style="margin:0;">15: 10,4* ↙</p> <p style="margin:0;">16: 10,3* ↙</p> <p style="margin:0;">17: 10,4* →</p> <p style="margin:0;">18: 10,8* ↓</p> <p style="margin:0;">19: 10,7* ↙</p> <p style="margin:0;">20: 10,5* ←</p>
<p style="margin:0;">1: 10,3* →</p> <p style="margin:0;">2: 10,7* ↓</p> <p style="margin:0;">3: 10,3* →</p> <p style="margin:0;">4: 10,4* →</p> <p style="margin:0;">5: 10,5* ↗</p> <p style="margin:0;">6: 10,8* ←</p> <p style="margin:0;">7: 10,6* ↑</p> <p style="margin:0;">8: 10,6* ←</p> <p style="margin:0;">9: 10,8* ←</p> <p style="margin:0;">10: 10,4* ↑</p>	<p style="margin:0;">Serie 105,4</p> <p style="margin:0;">Totalt 105,4</p>	<p style="margin:0;">Serie 105,3</p> <p style="margin:0;">Totalt 210,7</p>

<p style="margin:0;">60 shot</p> 	<p style="margin:0;">60 shot</p> 	<p style="margin:0;">31: 10,4* ↗</p> <p style="margin:0;">32: 10,1 ↗</p> <p style="margin:0;">33: 10,9* ↗</p> <p style="margin:0;">34: 10,4* ↓</p> <p style="margin:0;">35: 10,1 ↓</p> <p style="margin:0;">36: 10,1 →</p> <p style="margin:0;">37: 10,9* →</p> <p style="margin:0;">38: 10,4* ↓</p> <p style="margin:0;">39: 10,2* ↗</p> <p style="margin:0;">40: 10,6* ↓</p>
<p style="margin:0;">21: 10,6* ↑</p> <p style="margin:0;">22: 10,3* ←</p> <p style="margin:0;">23: 10,3* ←</p> <p style="margin:0;">24: 10,2* ←</p> <p style="margin:0;">25: 10,3* ↑</p> <p style="margin:0;">26: 10,6* ↑</p> <p style="margin:0;">27: 10,4* ↗</p> <p style="margin:0;">28: 10,4* ←</p> <p style="margin:0;">29: 10,7* ↓</p> <p style="margin:0;">30: 10,3* ↗</p>	<p style="margin:0;">Serie 104,1</p> <p style="margin:0;">Totalt 314,8</p>	<p style="margin:0;">Serie 104,1</p> <p style="margin:0;">Totalt 418,9</p>

<p>Sight</p> 	<p>Sight</p> 	
<p>1: 10,6* →</p> <p>2: 10,0 →</p> <p>3: 10,4* ↗</p> <p>4: 10,0 ↗</p> <p>5: 9,8 →</p> <p>6: 10,5* ↘</p> <p>7: 9,9 →</p> <p>8: 9,4 ↙</p> <p>9: 10,3* →</p> <p>10: 9,9 →</p>	<p>11: 10,4* ↓</p> <p>12: 10,6* →</p> <p>13: 10,5* ←</p>	
Serie 100,8	Serie 31,5	
Totalt 0,0	Totalt 0,0	

<p>60 shot</p> 	<p>60 shot</p> 	
<p>1: 10,6* ↗</p> <p>2: 10,0 ←</p> <p>3: 9,6 ←</p> <p>4: 10,7* ↓</p> <p>5: 10,3* ↗</p> <p>6: 10,3* ↗</p> <p>7: 9,7 ←</p> <p>8: 10,6* ↗</p> <p>9: 10,3* ↗</p> <p>10: 10,5* ←</p>	<p>11: 9,4 ↗</p> <p>12: 10,2* ↗</p> <p>13: 10,7* ↗</p> <p>14: 10,0 ↗</p> <p>15: 10,1 ↗</p> <p>16: 10,3* ↘</p> <p>17: 10,4* ↗</p> <p>18: 10,6* ↘</p> <p>19: 10,1 ↗</p> <p>20: 10,6* ↗</p>	
Serie 102,6	Serie 102,4	
Totalt 102,6	Totalt 205,0	

<p>60 shot</p> 	<p>60 shot</p> 	
<p>21: 10,4* →</p> <p>22: 10,0 ↗</p> <p>23: 10,7* ↗</p> <p>24: 10,3* ↘</p> <p>25: 10,3* ↗</p> <p>26: 10,1 ↘</p> <p>27: 10,0 ↗</p> <p>28: 10,8* →</p> <p>29: 10,4* →</p> <p>30: 9,5 ↗</p>	<p>31: 10,8* ↗</p> <p>32: 10,3* ↗</p> <p>33: 10,3* ↘</p> <p>34: 10,3* ↗</p> <p>35: 10,3* ↘</p> <p>36: 10,1 ↗</p> <p>37: 10,4* ↘</p> <p>38: 10,7* ↗</p> <p>39: 10,0 ↗</p> <p>40: 10,7* ↗</p>	
Serie 102,5	Serie 103,9	
Totalt 307,5	Totalt 411,4	

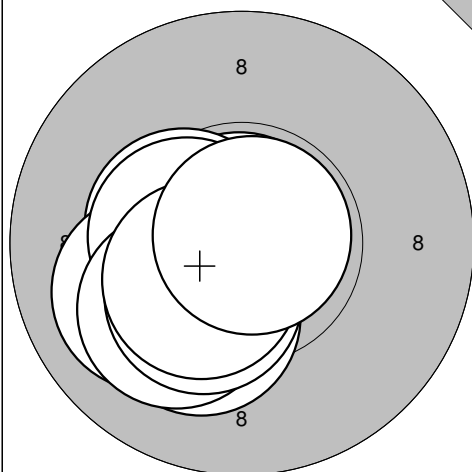
Bastuträsk

2011-04-09

UME-Kulan 2011

Umeå skytteallians

Sight

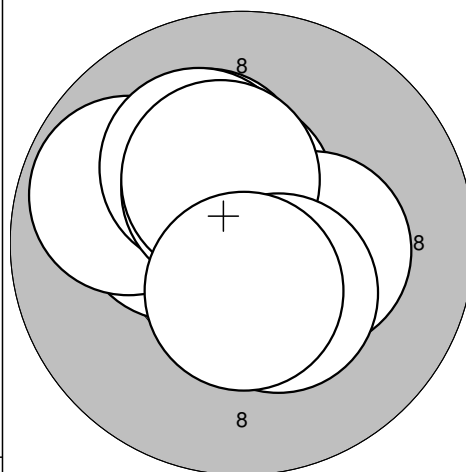


1: 10,5\* ←  
 2: 10,2\* ↓  
 3: 10,8\* ↑  
 4: 10,4\* ←  
 5: 10,0 ←  
 6: 10,5\* ←  
 7: 10,1 ↓  
 8: 10,4\* ↓  
 9: 10,5\* ↓  
 10: 10,8\* ↗

Serie 104,2

Totalt 0,0

60 shot

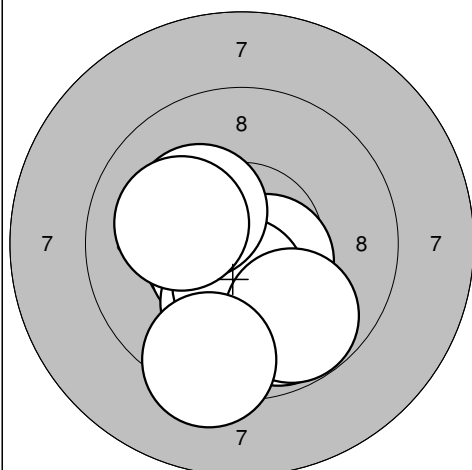


1: 10,3\* ←  
 2: 9,8 ←  
 3: 10,2\* ↑  
 4: 10,2\* ↑  
 5: 10,5\* ↑  
 6: 10,4\* ↑  
 7: 10,3\* →  
 8: 10,3\* ↑  
 9: 10,4\* ↓  
 10: 10,5\* ↓

Serie 102,9

Totalt 102,9

60 shot

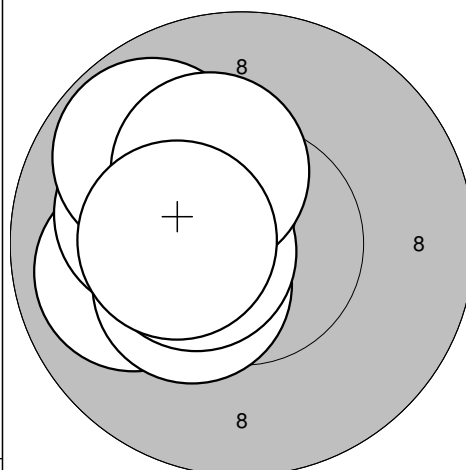


11: 10,5\* ←  
 12: 10,5\* ←  
 13: 10,1 ↓  
 14: 9,8 ↓  
 15: 10,5\* ↓  
 16: 10,4\* ↓  
 17: 10,2\* ↑  
 18: 10,1 ←  
 19: 9,8 ↓  
 20: 9,3 ↓

Serie 101,2

Totalt 204,1

60 shot

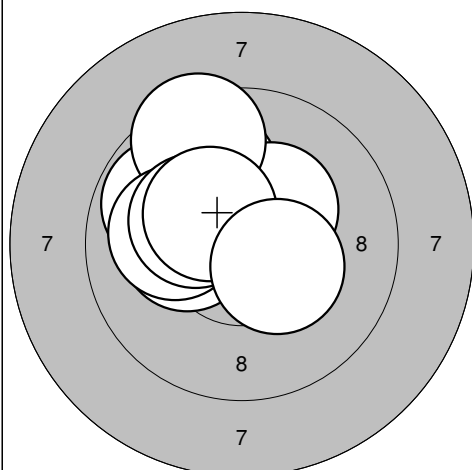


21: 10,0 ↖  
 22: 9,9 ←  
 23: 10,1 ←  
 24: 10,2\* ↑  
 25: 10,4\* ↑  
 26: 9,8 ↑  
 27: 10,4\* ↖  
 28: 10,5\* ←  
 29: 10,2\* ↑  
 30: 10,4\* ←

Serie 101,9

Totalt 306,0

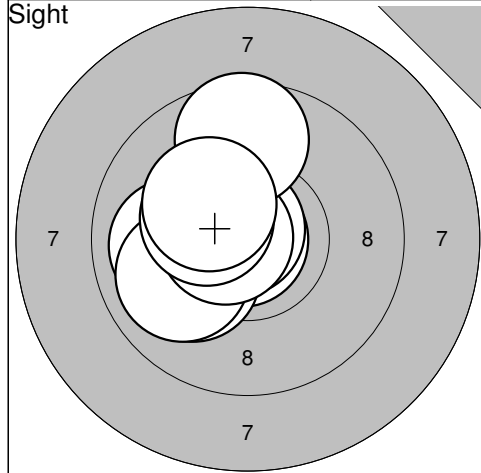
60 shot



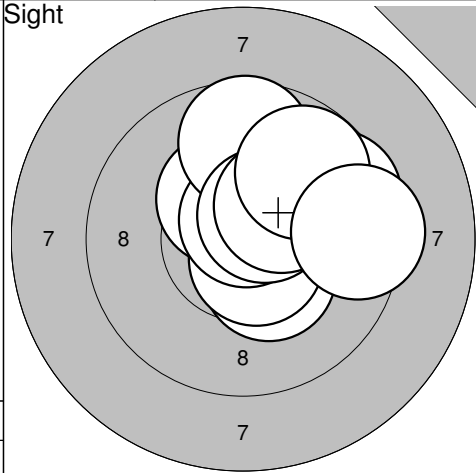
31: 9,8 ↖  
 32: 10,4\* ↗  
 33: 9,9 ↑  
 34: 10,3\* ↗  
 35: 9,5 ↑  
 36: 10,2\* ←  
 37: 10,1 ←  
 38: 10,3\* ↗  
 39: 10,4\* ↗  
 40: 10,4\* ↓

Serie 101,3

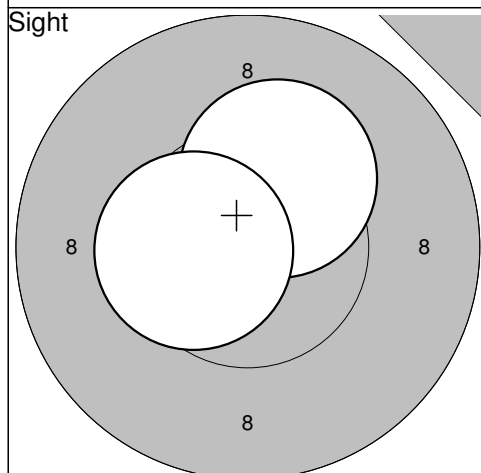
Totalt 407,3



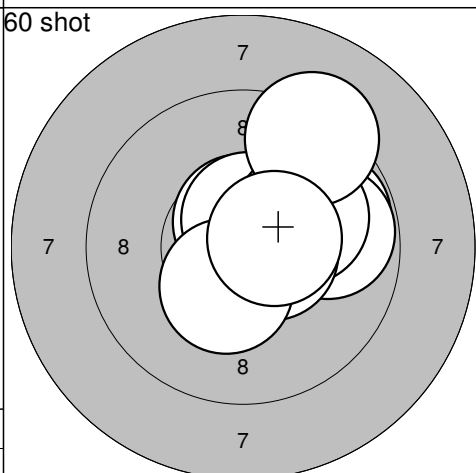
1: 10,9*	←
2: 10,0	←
3: 10,1	↙
4: 10,0	↙
5: 10,4*	↗
6: 10,8*	↗
7: 10,7*	←
8: 9,6	↑
9: 10,3*	↖
10: 10,3*	↖
Serie	103,1
Totalt	0,0



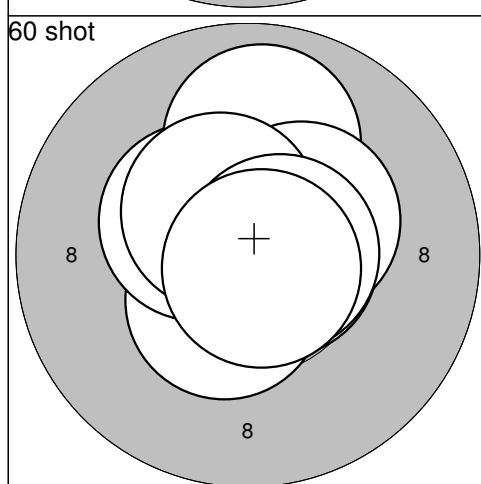
11: 10,4*	↘
12: 9,6	→
13: 10,4*	↗
14: 10,6*	↘
15: 10,7*	↑
16: 9,7	↑
17: 10,5*	↗
18: 10,3*	↗
19: 9,8	↗
20: 9,4	→
Serie	101,4
Totalt	0,0



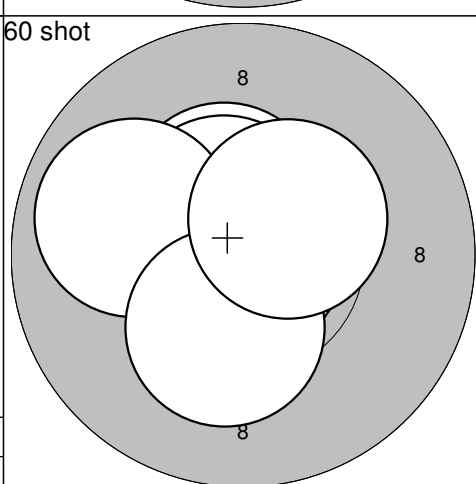
21: 10,3*	↗
22: 10,5*	←
Serie	20,8
Totalt	0,0



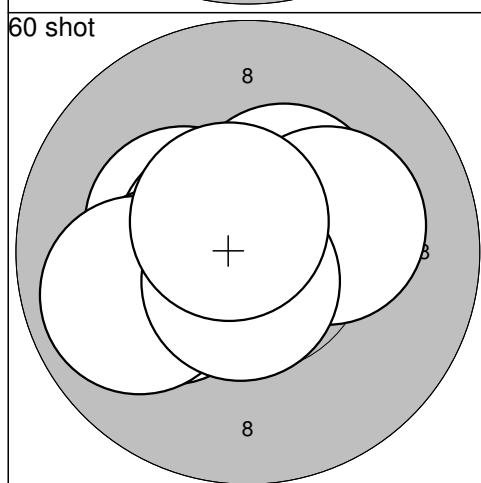
1: 10,6*	↑
2: 10,7*	↗
3: 9,8	→
4: 9,8	→
5: 10,6*	↑
6: 10,1	↗
7: 10,6*	→
8: 9,2	↗
9: 10,4*	↘
10: 10,5*	→
Serie	102,3
Totalt	102,3



11: 10,5*	↘
12: 10,8*	↘
13: 10,8*	↑
14: 10,4*	↗
15: 9,9	↑
16: 10,7*	→
17: 10,4*	↗
18: 10,5*	↗
19: 10,7*	→
20: 10,8*	↘
Serie	105,5
Totalt	207,8



21: 10,4*	↗
22: 10,7*	↑
23: 10,9*	↑
24: 10,6*	↖
25: 10,9*	↘
26: 10,6*	↗
27: 10,6*	↗
28: 9,9	↖
29: 10,3*	↘
30: 10,4*	↗
Serie	105,3
Totalt	313,1



31: 10,9*	↘
32: 10,8*	↙
33: 10,3*	↖
34: 10,4*	↗
35: 10,6*	↖
36: 10,2*	←
37: 10,2*	→
38: 9,9	←
39: 10,7*	↘
40: 10,6*	↗
Serie	104,6
Totalt	417,7



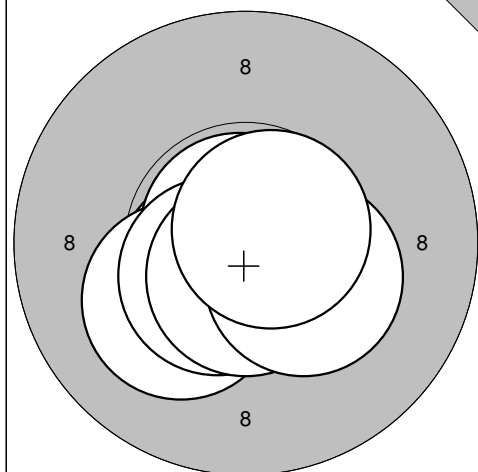
Umeå

2011-04-09

UME-Kulan 2011

Umeå skytteallians

Sight

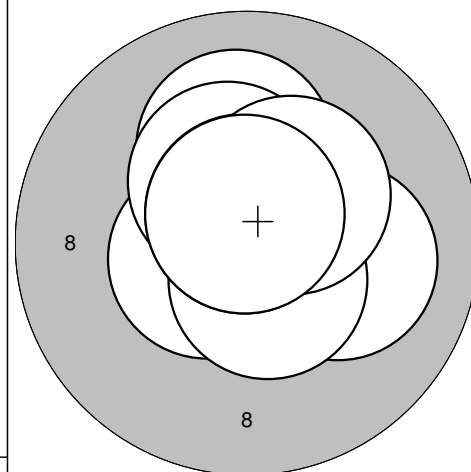


1: 10,7\* ↘  
 2: 10,6\* ↙  
 3: 10,2\* ↙  
 4: 10,8\* ↗  
 5: 10,6\* ↙  
 6: 10,6\* ↓  
 7: 10,3\* →  
 8: 10,7\* →

Serie 84,5

Totalt 0,0

60 shot

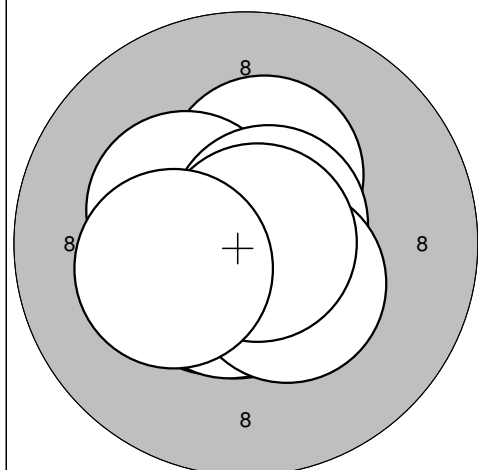


1: 10,8\* ↘  
 2: 10,6\* ↑  
 3: 10,1 →  
 4: 10,6\* ↙  
 5: 10,1 ↑  
 6: 10,6\* ↓  
 7: 10,4\* ↗  
 8: 10,7\* ↑  
 9: 10,4\* ↗  
 10: 10,7\* ↑

Serie 105,0

Totalt 105,0

60 shot

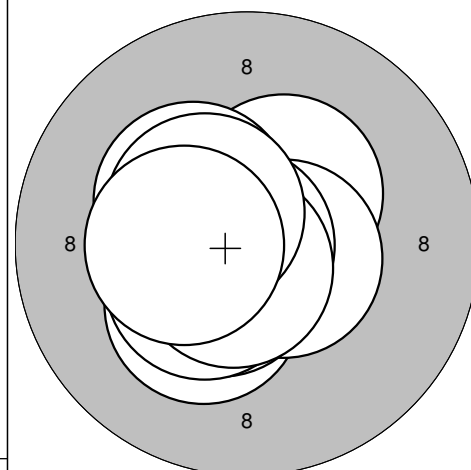


11: 10,6\* ↓  
 12: 10,9\* ↗  
 13: 10,3\* ↗  
 14: 10,3\* ↙  
 15: 10,6\* ↙  
 16: 10,6\* ↓  
 17: 10,7\* ↗  
 18: 10,4\* ↓  
 19: 10,8\* →  
 20: 10,3\* ↙

Serie 105,5

Totalt 210,5

60 shot

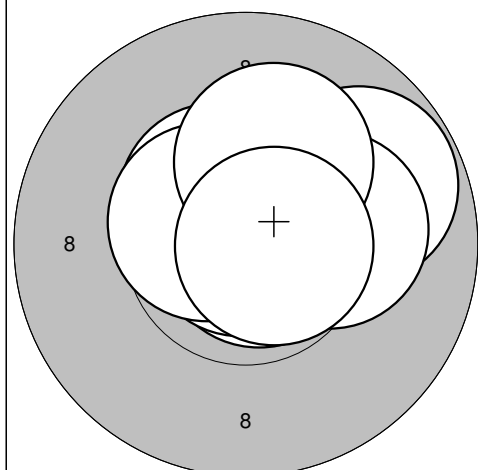


21: 10,4\* ↗  
 22: 10,3\* ↙  
 23: 10,6\* →  
 24: 10,6\* ↙  
 25: 10,3\* ↙  
 26: 10,4\* ↙  
 27: 10,8\* ←  
 28: 10,7\* ↓  
 29: 10,5\* ↙  
 30: 10,4\* ←

Serie 105,0

Totalt 315,5

60 shot



31: 10,7\* →  
 32: 10,8\* →  
 33: 10,5\* ↗  
 34: 10,4\* →  
 35: 10,9\* ↗  
 36: 9,8 →  
 37: 10,6\* ↙  
 38: 10,2\* →  
 39: 10,2\* ↗  
 40: 10,7\* →

Serie 104,8

Totalt 420,3

Kyrkås

2011-04-09

UME-Kulan 2011

Umeå skytteallians

<p>Sight</p>	<p>1: 9,9 ↗                  2: 9,5 ↗                  3: 10,3* ↗                  4: 10,2* ↗                  5: 10,5* ↖                  6: 9,8 ↗                  7: 10,5* ↗                  8: 10,5* →                  9: 10,5* ↗                  10: 10,7* ↖</p> <table border="1" style="width:100%; border-collapse: collapse;"> <tr> <td>Serie</td> <td style="text-align: right;">102,4</td> </tr> <tr> <td>Totalt</td> <td style="text-align: right;">0,0</td> </tr> </table>	Serie	102,4	Totalt	0,0	<p>Sight</p>	<p>11: 10,6* ↑                  12: 10,8* ↓                  13: 10,7* ↖</p> <table border="1" style="width:100%; border-collapse: collapse;"> <tr> <td>Serie</td> <td style="text-align: right;">32,1</td> </tr> <tr> <td>Totalt</td> <td style="text-align: right;">0,0</td> </tr> </table>	Serie	32,1	Totalt	0,0
Serie	102,4										
Totalt	0,0										
Serie	32,1										
Totalt	0,0										

<p>60 shot</p>	<p>1: 10,7* ↖                  2: 10,5* ↗                  3: 10,8* ↘                  4: 10,5* ↘                  5: 10,1 ↗                  6: 10,5* ↗                  7: 10,6* ↘                  8: 10,6* ↗                  9: 10,2* ↗                  10: 10,3* ↘</p> <table border="1" style="width:100%; border-collapse: collapse;"> <tr> <td>Serie</td> <td style="text-align: right;">104,8</td> </tr> <tr> <td>Totalt</td> <td style="text-align: right;">104,8</td> </tr> </table>	Serie	104,8	Totalt	104,8	<p>60 shot</p>	<p>11: 10,6* ↖                  12: 10,2* ↖                  13: 10,0 ↖                  14: 10,3* →                  15: 10,6* ↘                  16: 10,6* ↗                  17: 10,9* →                  18: 10,5* ↑                  19: 10,7* ↘                  20: 10,9* ↖</p> <table border="1" style="width:100%; border-collapse: collapse;"> <tr> <td>Serie</td> <td style="text-align: right;">105,3</td> </tr> <tr> <td>Totalt</td> <td style="text-align: right;">210,1</td> </tr> </table>	Serie	105,3	Totalt	210,1
Serie	104,8										
Totalt	104,8										
Serie	105,3										
Totalt	210,1										

<p>60 shot</p>	<p>21: 10,8* ↑                  22: 10,7* ↖                  23: 10,1 →                  24: 10,5* →                  25: 10,9* ↖                  26: 10,2* ↘                  27: 10,9* ↗                  28: 10,6* ↘                  29: 10,5* ↘                  30: 9,5 →</p> <table border="1" style="width:100%; border-collapse: collapse;"> <tr> <td>Serie</td> <td style="text-align: right;">104,7</td> </tr> <tr> <td>Totalt</td> <td style="text-align: right;">314,8</td> </tr> </table>	Serie	104,7	Totalt	314,8	<p>60 shot</p>	<p>31: 10,6* →                  32: 10,7* ↖                  33: 10,5* ↗                  34: 10,7* ↘                  35: 10,1 →                  36: 10,5* ↘                  37: 10,4* →                  38: 10,5* ↘                  39: 10,6* →                  40: 10,1 ↘</p> <table border="1" style="width:100%; border-collapse: collapse;"> <tr> <td>Serie</td> <td style="text-align: right;">104,7</td> </tr> <tr> <td>Totalt</td> <td style="text-align: right;">419,5</td> </tr> </table>	Serie	104,7	Totalt	419,5
Serie	104,7										
Totalt	314,8										
Serie	104,7										
Totalt	419,5										

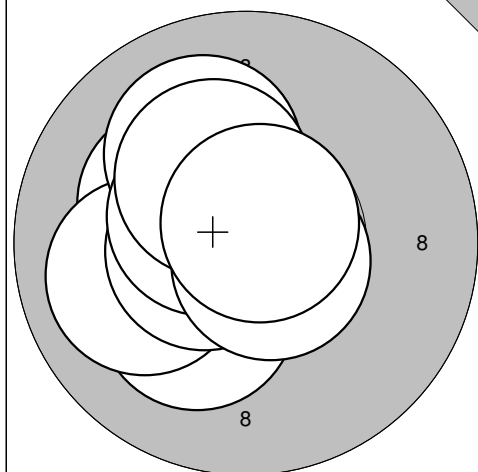
Umeå

2011-04-09

UME-Kulan 2011

Umeå skytteallians

Sight

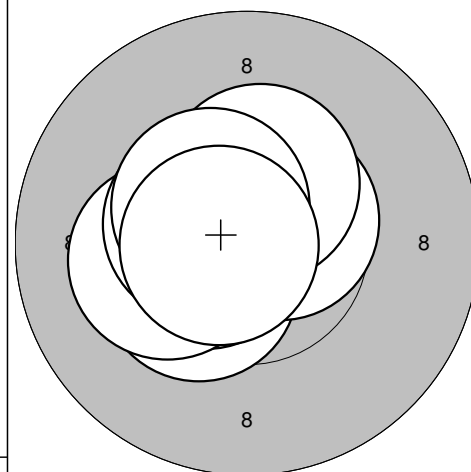


1: 10,9\* ↑  
 2: 10,2\* ↖  
 3: 10,2\* ↘  
 4: 10,0 ←  
 5: 10,1 ↑  
 6: 10,6\* ←  
 7: 10,5\* ↗  
 8: 10,3\* ↑  
 9: 10,7\* ↘  
 10: 10,7\* ↗

Serie 104,2

Totalt 0,0

60 shot

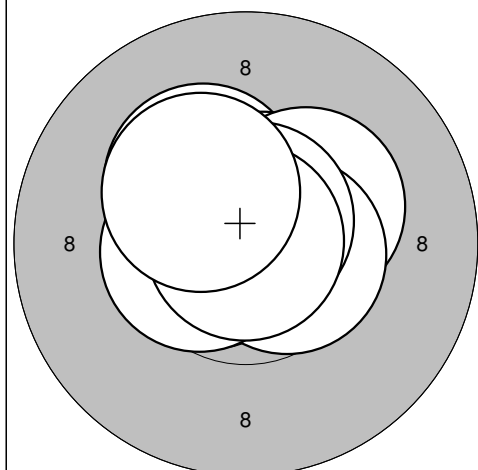


1: 10,4\* ↙  
 2: 10,6\* ↗  
 3: 10,6\* ←  
 4: 10,6\* ↗  
 5: 10,4\* ←  
 6: 10,2\* ←  
 7: 10,5\* ↖  
 8: 10,4\* ↑  
 9: 10,5\* ↖  
 10: 10,7\* ←

Serie 104,9

Totalt 104,9

60 shot

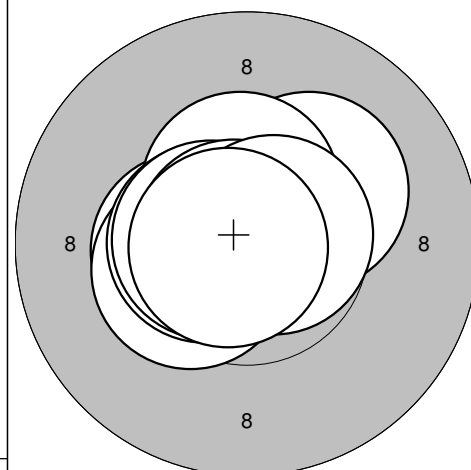


11: 10,3\* ↖  
 12: 10,6\* ↗  
 13: 10,3\* ↗  
 14: 10,6\* ←  
 15: 10,6\* ↗  
 16: 10,6\* →  
 17: 10,7\* ↑  
 18: 10,5\* ←  
 19: 10,9\* ↑  
 20: 10,3\* ↖

Serie 105,4

Totalt 210,3

60 shot

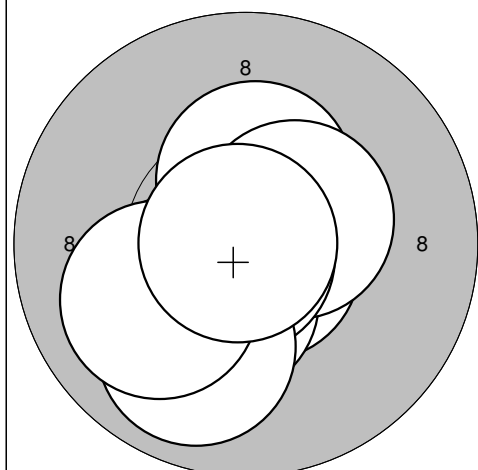


21: 10,4\* ←  
 22: 10,2\* ↗  
 23: 10,8\* ↗  
 24: 10,5\* ↑  
 25: 10,4\* ←  
 26: 10,6\* ←  
 27: 10,6\* ←  
 28: 10,8\* ↖  
 29: 10,7\* →  
 30: 10,8\* ←

Serie 105,8

Totalt 316,1

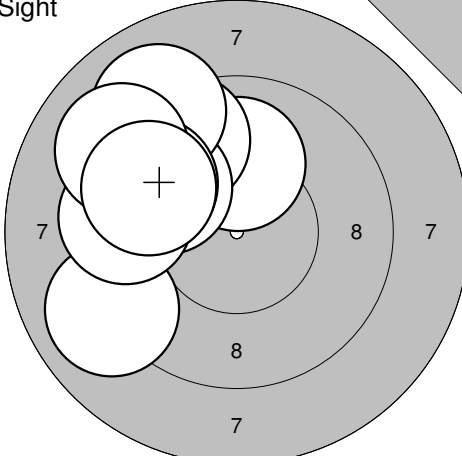
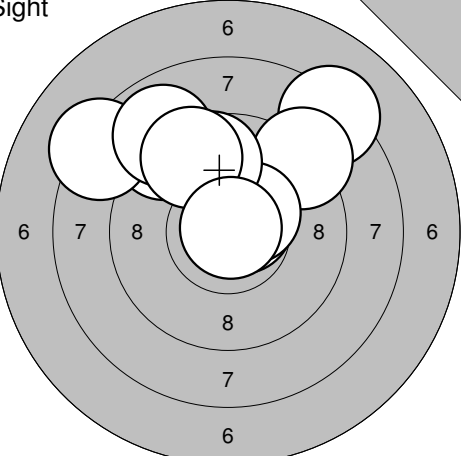
60 shot

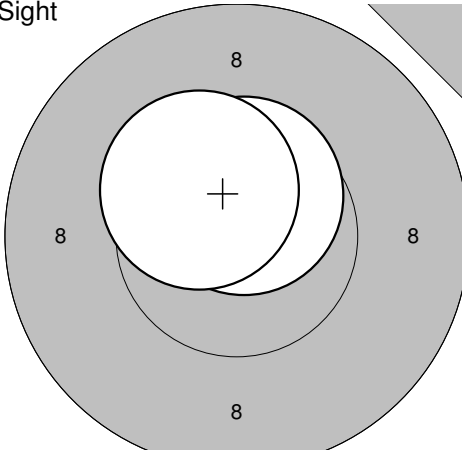
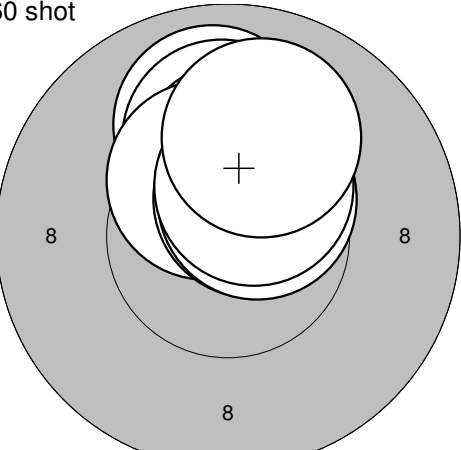


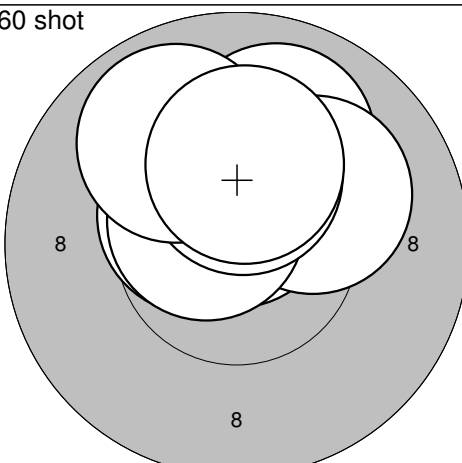
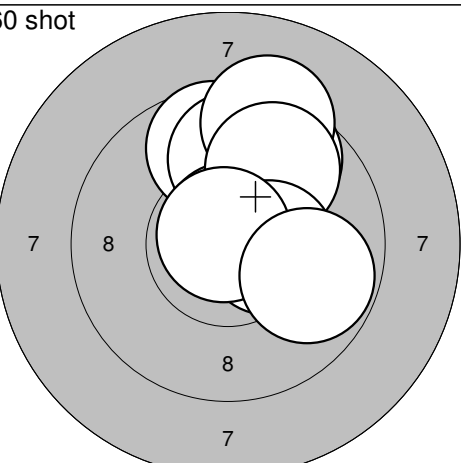
31: 10,7\* ↘  
 32: 10,4\* ↘  
 33: 10,6\* ↗  
 34: 10,3\* ↙  
 35: 10,4\* ↑  
 36: 10,5\* →  
 37: 10,8\* ↘  
 38: 9,9 ↘  
 39: 10,0 ←  
 40: 10,9\* ←

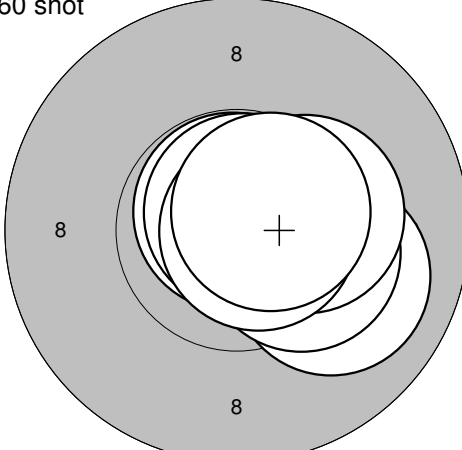
Serie 104,5

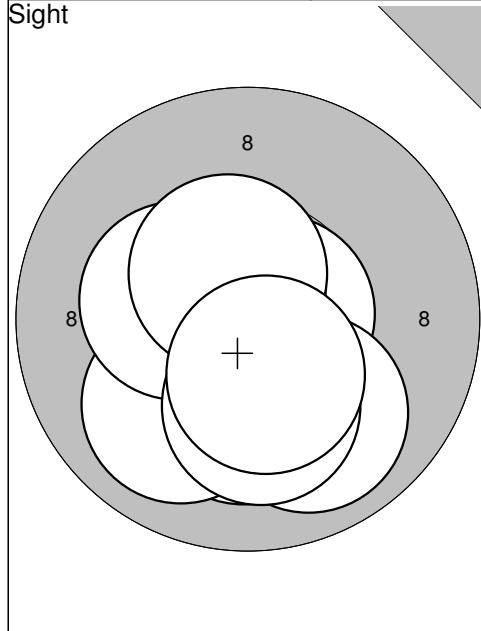
Totalt 420,6

<p>Sight</p> 	<p>1: 9,8 ↗ 2: 10,0 ↑ 3: 9,5 ↗ 4: 9,8 ↗ 5: 9,0 ↗ 6: 9,0 ↙ 7: 9,5 ← 8: 9,6 ↗ 9: 9,1 ↗ 10: 9,6 ↙</p> <p>Serie 94,9 Totalt 0,0</p>	<p>Sight</p> 	<p>11: 9,1 ↗ 12: 8,3 ↙ 13: 8,9 ↗ 14: 8,3 ↗ 15: 9,1 ↗ 16: 10,7* ↗ 17: 10,4* ↗ 18: 9,7 ↑ 19: 9,5 ↗ 20: 10,9* ↗</p> <p>Serie 94,9 Totalt 0,0</p>
---	---	---	---

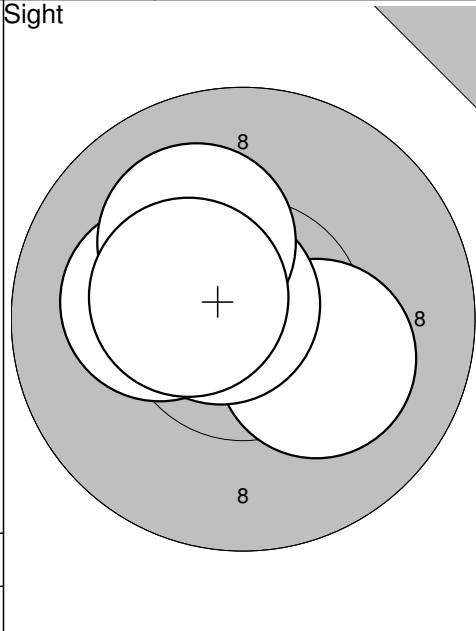
<p>Sight</p> 	<p>21: 10,6* ↑ 22: 10,4* ↙</p> <p>Serie 21,0 Totalt 0,0</p>	<p>60 shot</p> 	<p>1: 10,2* ↑ 2: 10,5* ↗ 3: 9,9 ↑ 4: 10,1 ↑ 5: 10,3* ↑ 6: 10,4* ↙ 7: 10,5* ↗ 8: 10,5* ↗ 9: 10,4* ↗ 10: 10,0 ↑</p> <p>Serie 102,8 Totalt 102,8</p>
--	---	--	---

<p>60 shot</p> 	<p>11: 10,5* ↙ 12: 10,6* ↑ 13: 10,3* ↑ 14: 10,1 ↑ 15: 10,0 ↑ 16: 10,1 ↗ 17: 10,6* ↗ 18: 10,3* ↑ 19: 9,9 ↗ 20: 10,2* ↑</p> <p>Serie 102,6 Totalt 205,4</p>	<p>60 shot</p> 	<p>21: 9,7 ↑ 22: 9,7 ↗ 23: 9,8 ↑ 24: 9,3 ↑ 25: 10,8* ↑ 26: 10,4* ↗ 27: 9,8 ↗ 28: 10,4* → 29: 10,8* ↗ 30: 9,8 →</p> <p>Serie 100,5 Totalt 305,9</p>
---	---	---	--

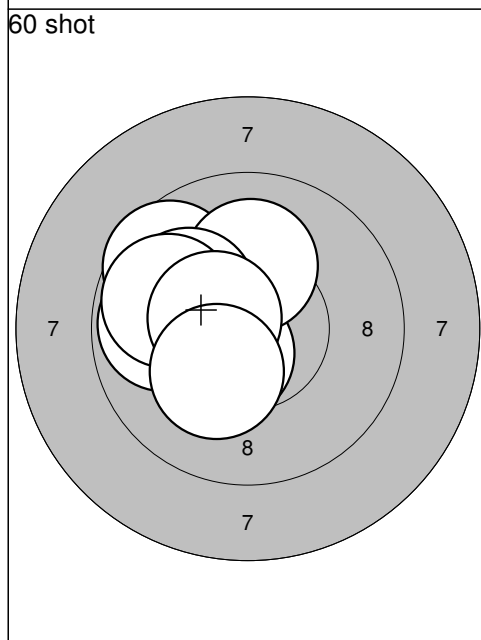
<p>60 shot</p> 	<p>31: 10,0 → 32: 10,6* → 33: 10,5* → 34: 10,4* → 35: 10,8* ↑ 36: 10,3* → 37: 10,3* → 38: 10,8* ↑ 39: 10,8* → 40: 10,6* ↗</p> <p>Serie 105,1 Totalt 411,0</p>		
---	---	--	--



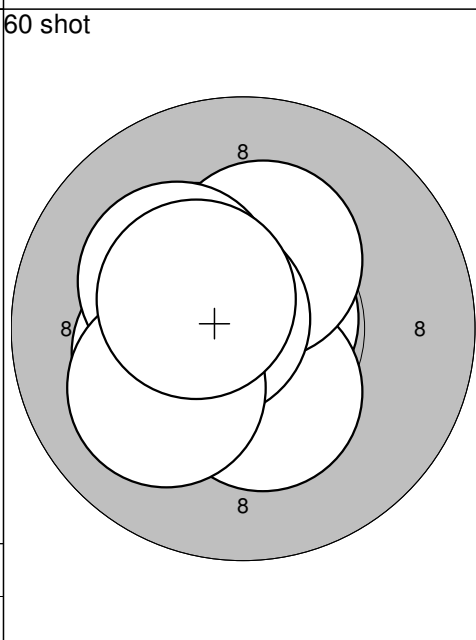
1: 10,4*	↙
2: 10,7*	→
3: 10,6*	↗
4: 9,9	↘
5: 10,2*	↘
6: 10,0	↘
7: 10,3*	←
8: 10,2*	↘
9: 10,5*	↗
10: 10,4*	↘
<b>Serie 103,2</b>	
<b>Totalt 0,0</b>	



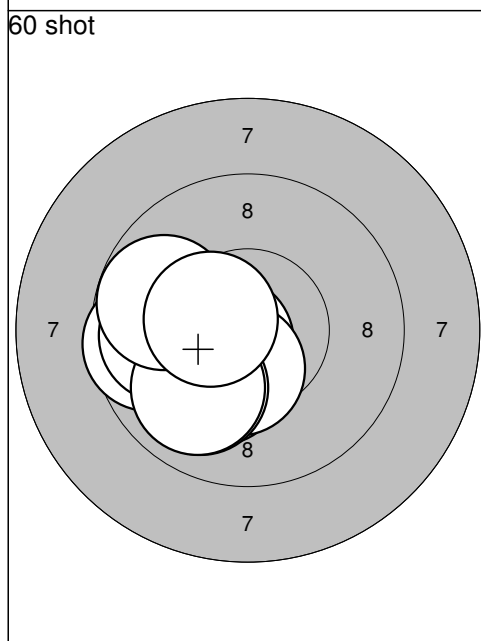
11: 10,2*	↘
12: 10,7*	↗
13: 10,2*	←
14: 10,1	↗
15: 10,4*	←
<b>Serie 51,6</b>	
<b>Totalt 0,0</b>	



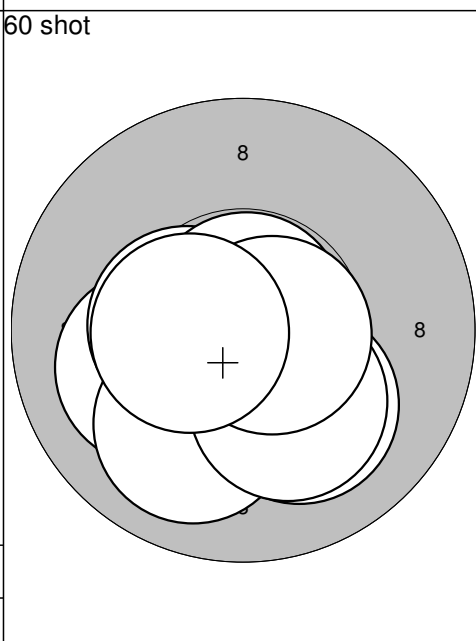
1: 10,5*	↘
2: 10,0	←
3: 10,2*	↗
4: 9,6	↗
5: 10,1	↑
6: 9,8	←
7: 10,0	↗
8: 9,8	↗
9: 10,5*	←
10: 10,2*	↘
<b>Serie 100,7</b>	
<b>Totalt 100,7</b>	



11: 10,4*	↖
12: 10,9*	↖
13: 10,8*	↗
14: 10,3*	↘
15: 10,3*	↑
16: 10,3*	←
17: 10,2*	↖
18: 10,6*	←
19: 10,1	↖
20: 10,5*	↖
<b>Serie 104,4</b>	
<b>Totalt 205,1</b>	



21: 10,6*	↖
22: 9,6	←
23: 10,2*	↘
24: 10,4*	↘
25: 9,9	←
26: 10,0	↘
27: 10,4*	←
28: 9,9	↘
29: 9,8	←
30: 10,4*	←
<b>Serie 101,2</b>	
<b>Totalt 306,3</b>	



31: 10,5*	←
32: 10,2*	↘
33: 10,1	←
34: 10,4*	←
35: 10,1	↘
36: 10,8*	↑
37: 10,0	↘
38: 10,2*	↘
39: 10,7*	→
40: 10,5*	←
<b>Serie 103,5</b>	
<b>Totalt 409,8</b>	

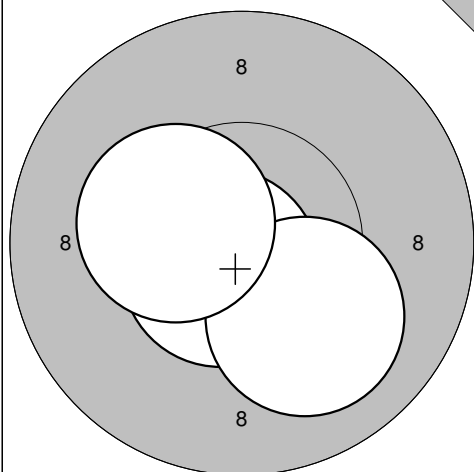
Umeå

2011-04-09

UME-Kulan 2011

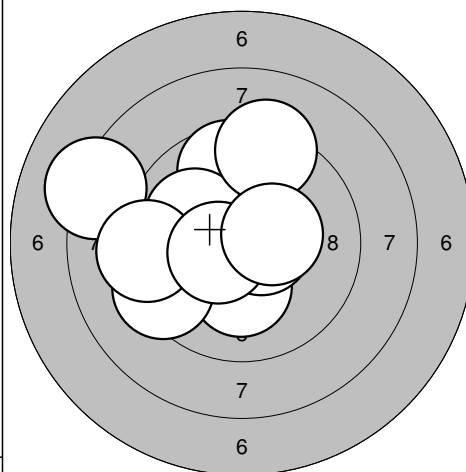
Umeå skytteallians

Sight



1: 10,7\* ↙  
 2: 10,1 ↘  
 3: 10,3\* ↖

60 shot

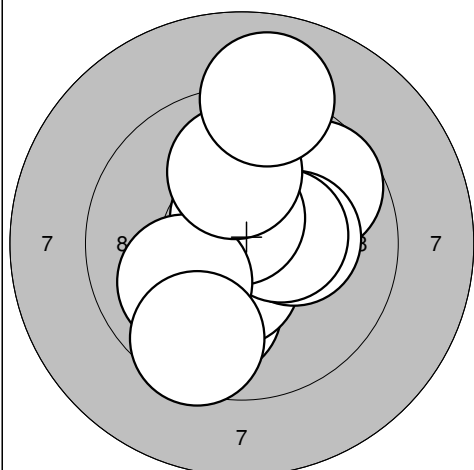


1: 9,7 ↑  
 2: 10,2\* ↓  
 3: 8,2 ↖  
 4: 10,0 ↖  
 5: 9,3 ↖  
 6: 9,3 ←  
 7: 9,3 ↑  
 8: 10,6\* →  
 9: 10,5\* ↖  
 10: 10,4\* →

Serie 31,1  
 Totalt 0,0

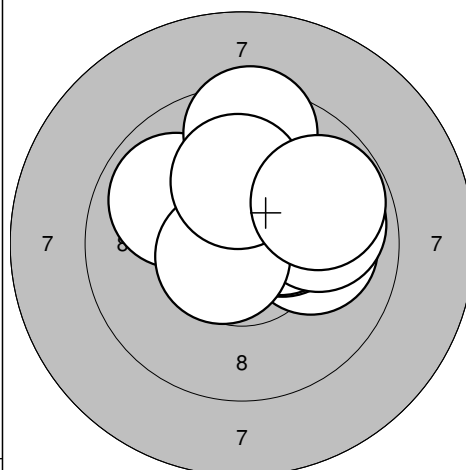
Serie 97,5  
 Totalt 97,5

60 shot



11: 9,7 ↗  
 12: 10,0 ↓  
 13: 10,5\* ↓  
 14: 10,2\* →  
 15: 10,4\* →  
 16: 10,6\* ↑  
 17: 10,0 ↖  
 18: 10,0 ↑  
 19: 9,0 ↑  
 20: 9,5 ↓

60 shot

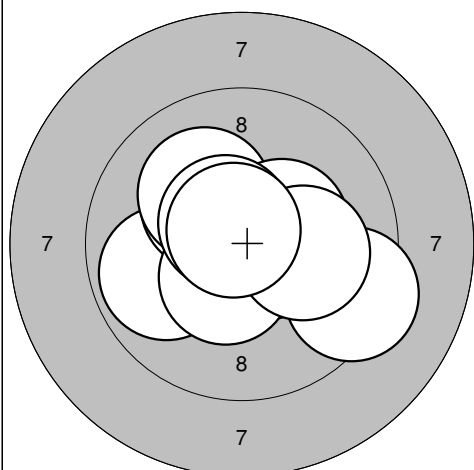


21: 10,0 →  
 22: 10,4\* →  
 23: 9,9 ↖  
 24: 10,5\* ↗  
 25: 10,4\* →  
 26: 9,5 ↑  
 27: 9,9 →  
 28: 10,6\* ↖  
 29: 10,1 ↑  
 30: 9,8 ↗

Serie 99,9  
 Totalt 197,4

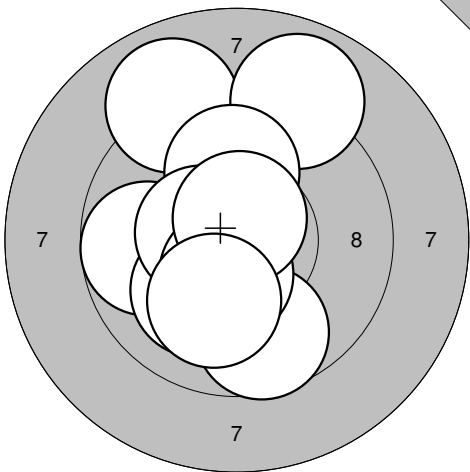
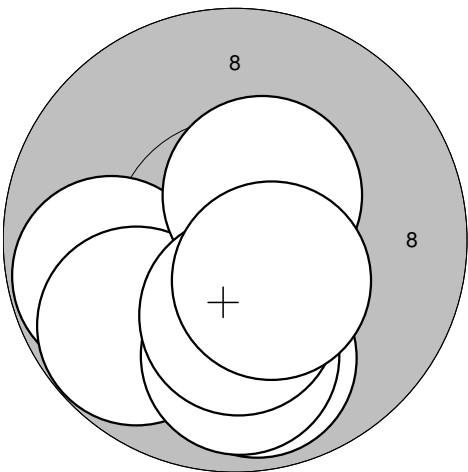
Serie 101,1  
 Totalt 298,5

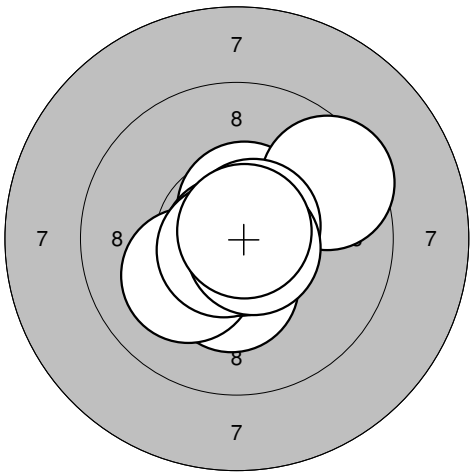
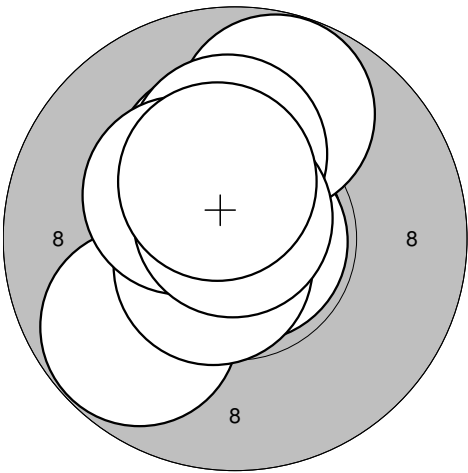
60 shot

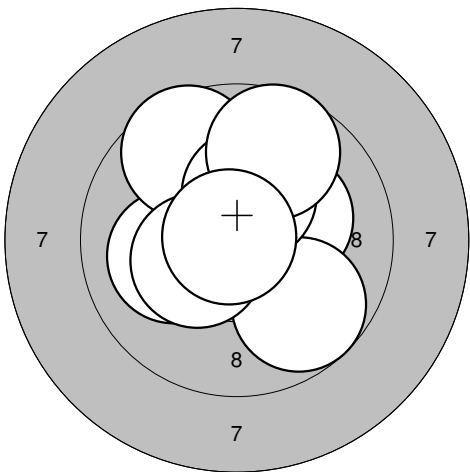


31: 9,9 ↖  
 32: 10,3\* ↗  
 33: 10,1 ↗  
 34: 10,6\* →  
 35: 10,4\* →  
 36: 9,3 ↘  
 37: 10,5\* ↘  
 38: 10,6\* ↗  
 39: 10,1 →  
 40: 10,7\* ↗

Serie 102,5  
 Totalt 401,0

<p>Sight</p> 	<p>60 shot</p> <table style="width:100%; border-collapse: collapse;"> <tr><td>1: 9,0</td><td>↖</td></tr> <tr><td>2: 8,9</td><td>↗</td></tr> <tr><td>3: 10,0</td><td>↑</td></tr> <tr><td>4: 9,8</td><td>←</td></tr> <tr><td>5: 10,1</td><td>↙</td></tr> <tr><td>6: 9,7</td><td>↘</td></tr> <tr><td>7: 10,5*</td><td>←</td></tr> <tr><td>8: 10,5*</td><td>↘</td></tr> <tr><td>9: 10,7*</td><td>↑</td></tr> <tr><td>10: 10,1</td><td>↘</td></tr> <tr><td colspan="2"><hr/></td></tr> <tr><td>Serie</td><td style="text-align: right;">99,3</td></tr> <tr><td colspan="2"><hr/></td></tr> <tr><td>Totalt</td><td style="text-align: right;">0,0</td></tr> </table>	1: 9,0	↖	2: 8,9	↗	3: 10,0	↑	4: 9,8	←	5: 10,1	↙	6: 9,7	↘	7: 10,5*	←	8: 10,5*	↘	9: 10,7*	↑	10: 10,1	↘	<hr/>		Serie	99,3	<hr/>		Totalt	0,0	 <table style="width:100%; border-collapse: collapse;"> <tr><td>1: 10,7*</td><td>↘</td></tr> <tr><td>2: 10,1</td><td>↘</td></tr> <tr><td>3: 9,8</td><td>←</td></tr> <tr><td>4: 9,8</td><td>↙</td></tr> <tr><td>5: 10,2*</td><td>↘</td></tr> <tr><td>6: 9,9</td><td>↘</td></tr> <tr><td>7: 10,5*</td><td>↗</td></tr> <tr><td>8: 9,9</td><td>↘</td></tr> <tr><td>9: 10,3*</td><td>↘</td></tr> <tr><td>10: 10,5*</td><td>↘</td></tr> <tr><td colspan="2"><hr/></td></tr> <tr><td>Serie</td><td style="text-align: right;">101,7</td></tr> <tr><td colspan="2"><hr/></td></tr> <tr><td>Totalt</td><td style="text-align: right;">101,7</td></tr> </table>	1: 10,7*	↘	2: 10,1	↘	3: 9,8	←	4: 9,8	↙	5: 10,2*	↘	6: 9,9	↘	7: 10,5*	↗	8: 9,9	↘	9: 10,3*	↘	10: 10,5*	↘	<hr/>		Serie	101,7	<hr/>		Totalt	101,7
1: 9,0	↖																																																									
2: 8,9	↗																																																									
3: 10,0	↑																																																									
4: 9,8	←																																																									
5: 10,1	↙																																																									
6: 9,7	↘																																																									
7: 10,5*	←																																																									
8: 10,5*	↘																																																									
9: 10,7*	↑																																																									
10: 10,1	↘																																																									
<hr/>																																																										
Serie	99,3																																																									
<hr/>																																																										
Totalt	0,0																																																									
1: 10,7*	↘																																																									
2: 10,1	↘																																																									
3: 9,8	←																																																									
4: 9,8	↙																																																									
5: 10,2*	↘																																																									
6: 9,9	↘																																																									
7: 10,5*	↗																																																									
8: 9,9	↘																																																									
9: 10,3*	↘																																																									
10: 10,5*	↘																																																									
<hr/>																																																										
Serie	101,7																																																									
<hr/>																																																										
Totalt	101,7																																																									

<p>60 shot</p> 	<p>60 shot</p> <table style="width:100%; border-collapse: collapse;"> <tr><td>11: 10,5*</td><td>↑</td></tr> <tr><td>12: 10,3*</td><td>↘</td></tr> <tr><td>13: 10,1</td><td>↙</td></tr> <tr><td>14: 9,5</td><td>↗</td></tr> <tr><td>15: 10,7*</td><td>↗</td></tr> <tr><td>16: 10,8*</td><td>↘</td></tr> <tr><td>17: 10,8*</td><td>↙</td></tr> <tr><td>18: 10,7*</td><td>↙</td></tr> <tr><td>19: 10,7*</td><td>↘</td></tr> <tr><td>20: 10,8*</td><td>↗</td></tr> <tr><td colspan="2"><hr/></td></tr> <tr><td>Serie</td><td style="text-align: right;">104,9</td></tr> <tr><td colspan="2"><hr/></td></tr> <tr><td>Totalt</td><td style="text-align: right;">206,6</td></tr> </table>	11: 10,5*	↑	12: 10,3*	↘	13: 10,1	↙	14: 9,5	↗	15: 10,7*	↗	16: 10,8*	↘	17: 10,8*	↙	18: 10,7*	↙	19: 10,7*	↘	20: 10,8*	↗	<hr/>		Serie	104,9	<hr/>		Totalt	206,6	 <table style="width:100%; border-collapse: collapse;"> <tr><td>21: 10,8*</td><td>↗</td></tr> <tr><td>22: 10,3*</td><td>↑</td></tr> <tr><td>23: 9,8</td><td>↙</td></tr> <tr><td>24: 10,8*</td><td>→</td></tr> <tr><td>25: 10,6*</td><td>↙</td></tr> <tr><td>26: 9,8</td><td>↑</td></tr> <tr><td>27: 10,2*</td><td>↑</td></tr> <tr><td>28: 10,3*</td><td>↖</td></tr> <tr><td>29: 10,8*</td><td>↑</td></tr> <tr><td>30: 10,4*</td><td>↑</td></tr> <tr><td colspan="2"><hr/></td></tr> <tr><td>Serie</td><td style="text-align: right;">103,8</td></tr> <tr><td colspan="2"><hr/></td></tr> <tr><td>Totalt</td><td style="text-align: right;">310,4</td></tr> </table>	21: 10,8*	↗	22: 10,3*	↑	23: 9,8	↙	24: 10,8*	→	25: 10,6*	↙	26: 9,8	↑	27: 10,2*	↑	28: 10,3*	↖	29: 10,8*	↑	30: 10,4*	↑	<hr/>		Serie	103,8	<hr/>		Totalt	310,4
11: 10,5*	↑																																																									
12: 10,3*	↘																																																									
13: 10,1	↙																																																									
14: 9,5	↗																																																									
15: 10,7*	↗																																																									
16: 10,8*	↘																																																									
17: 10,8*	↙																																																									
18: 10,7*	↙																																																									
19: 10,7*	↘																																																									
20: 10,8*	↗																																																									
<hr/>																																																										
Serie	104,9																																																									
<hr/>																																																										
Totalt	206,6																																																									
21: 10,8*	↗																																																									
22: 10,3*	↑																																																									
23: 9,8	↙																																																									
24: 10,8*	→																																																									
25: 10,6*	↙																																																									
26: 9,8	↑																																																									
27: 10,2*	↑																																																									
28: 10,3*	↖																																																									
29: 10,8*	↑																																																									
30: 10,4*	↑																																																									
<hr/>																																																										
Serie	103,8																																																									
<hr/>																																																										
Totalt	310,4																																																									

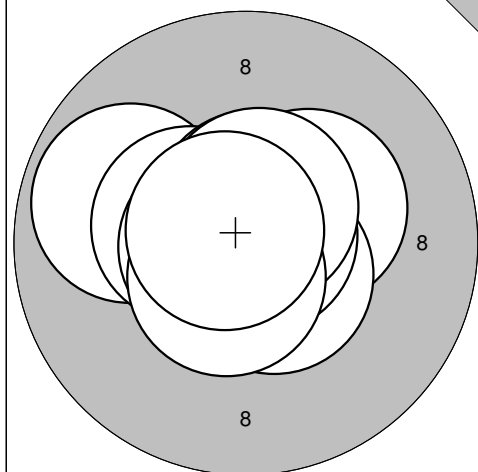
<p>60 shot</p> 	<table style="width:100%; border-collapse: collapse;"> <tr><td>31: 10,4*</td><td>↖</td></tr> <tr><td>32: 9,9</td><td>↑</td></tr> <tr><td>33: 10,1</td><td>←</td></tr> <tr><td>34: 10,2*</td><td>↗</td></tr> <tr><td>35: 9,6</td><td>↗</td></tr> <tr><td>36: 9,7</td><td>↘</td></tr> <tr><td>37: 10,3*</td><td>↑</td></tr> <tr><td>38: 9,7</td><td>↑</td></tr> <tr><td>39: 10,4*</td><td>←</td></tr> <tr><td>40: 10,8*</td><td>↖</td></tr> <tr><td colspan="2"><hr/></td></tr> <tr><td>Serie</td><td style="text-align: right;">101,1</td></tr> <tr><td colspan="2"><hr/></td></tr> <tr><td>Totalt</td><td style="text-align: right;">411,5</td></tr> </table>	31: 10,4*	↖	32: 9,9	↑	33: 10,1	←	34: 10,2*	↗	35: 9,6	↗	36: 9,7	↘	37: 10,3*	↑	38: 9,7	↑	39: 10,4*	←	40: 10,8*	↖	<hr/>		Serie	101,1	<hr/>		Totalt	411,5	
31: 10,4*	↖																													
32: 9,9	↑																													
33: 10,1	←																													
34: 10,2*	↗																													
35: 9,6	↗																													
36: 9,7	↘																													
37: 10,3*	↑																													
38: 9,7	↑																													
39: 10,4*	←																													
40: 10,8*	↖																													
<hr/>																														
Serie	101,1																													
<hr/>																														
Totalt	411,5																													

2011-04-09

UME-Kulan 2011

Umeå skytteallians

Sight

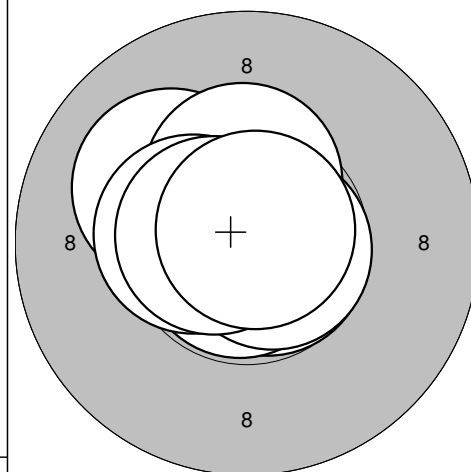


1: 9,8 ←  
 2: 10,4\* ←  
 3: 10,6\* ↑  
 4: 10,3\* →  
 5: 10,6\* ↘  
 6: 10,8\* →  
 7: 10,6\* ↑  
 8: 10,7\* ←  
 9: 10,6\* ↘  
 10: 10,7\* ↖

Serie 105,1

Totalt 0,0

60 shot

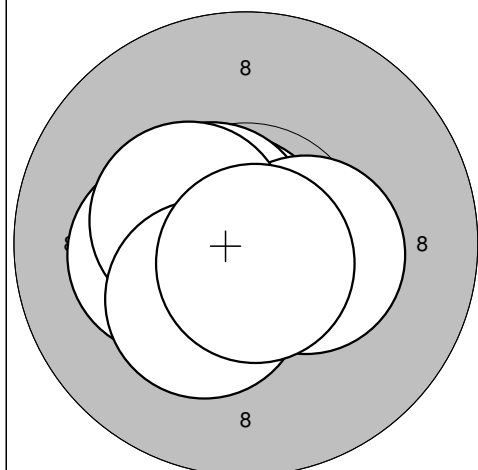


1: 10,1 ↖  
 2: 10,7\* ←  
 3: 10,7\* ←  
 4: 10,7\* ↘  
 5: 10,4\* ↑  
 6: 10,8\* ↘  
 7: 10,7\* →  
 8: 10,5\* ←  
 9: 10,6\* ←  
 10: 10,8\* ↗

Serie 106,0

Totalt 106,0

60 shot

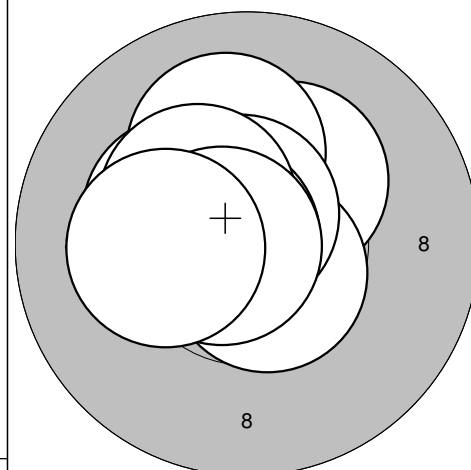


11: 10,2\* ←  
 12: 10,7\* ↗  
 13: 10,8\* ↘  
 14: 10,8\* ↗  
 15: 10,7\* ↗  
 16: 10,6\* ↗  
 17: 10,4\* →  
 18: 10,4\* ↗  
 19: 10,3\* ↘  
 20: 10,7\* ↘

Serie 105,6

Totalt 211,6

60 shot

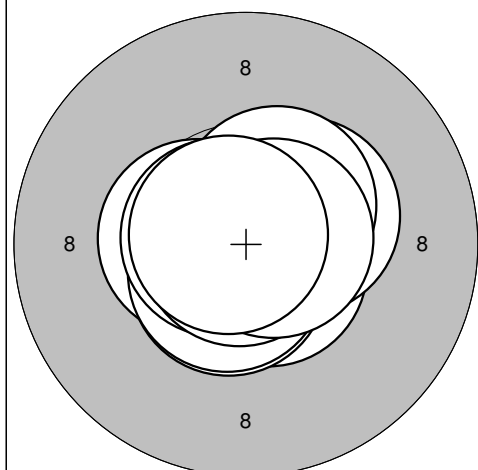


21: 10,5\* ↗  
 22: 10,3\* ←  
 23: 10,3\* ↗  
 24: 10,1 ↑  
 25: 10,6\* ↘  
 26: 10,7\* ↑  
 27: 10,7\* ←  
 28: 10,4\* ↖  
 29: 10,7\* ←  
 30: 10,2\* ←

Serie 104,5

Totalt 316,1

60 shot



31: 10,7\* ↘  
 32: 10,6\* ↘  
 33: 10,5\* ←  
 34: 10,6\* ↘  
 35: 10,7\* ←  
 36: 10,4\* →  
 37: 10,9\* ←  
 38: 10,5\* ↗  
 39: 10,7\* →  
 40: 10,8\* ↖

Serie 106,4

Totalt 422,5



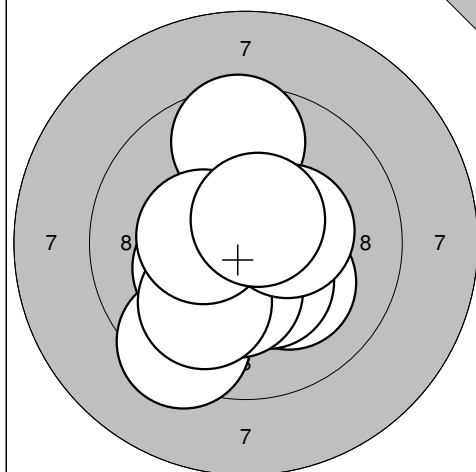
Kyrkås

2011-04-09

UME-Kulan 2011

Umeå skytteallians

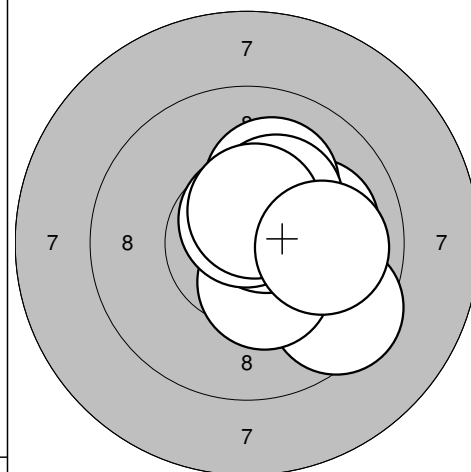
Sight



1: 9,4 ↘  
 2: 10,2\* ↘  
 3: 10,4\* ↘  
 4: 10,3\* ↘  
 5: 10,3\* ←  
 6: 10,0 ↘  
 7: 9,6 ↑  
 8: 10,4\* →  
 9: 10,4\* ←  
 10: 10,6\* ↗

Serie 101,6  
 Totalt 0,0

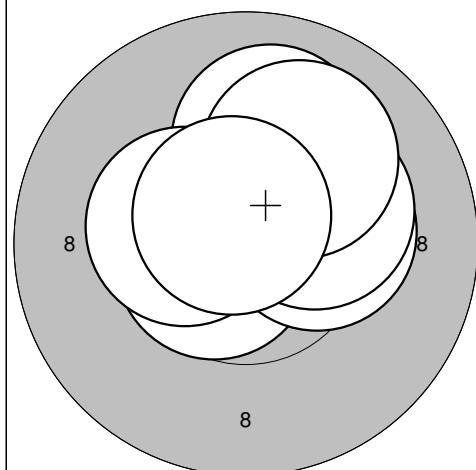
60 shot



1: 10,5\* ↘  
 2: 9,5 ↘  
 3: 10,0 →  
 4: 10,1 ↑  
 5: 10,4\* ↘  
 6: 10,6\* ↗  
 7: 10,6\* ↑  
 8: 10,3\* ↗  
 9: 10,5\* ↑  
 10: 9,9 →

Serie 102,4  
 Totalt 102,4

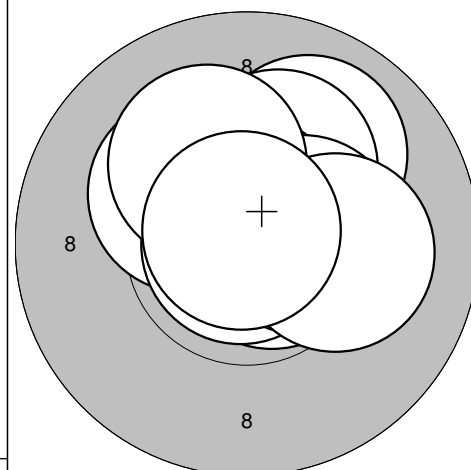
60 shot



11: 10,6\* ↗  
 12: 10,6\* ↗  
 13: 10,6\* ←  
 14: 10,2\* ↑  
 15: 10,3\* →  
 16: 10,0 ↑  
 17: 10,3\* →  
 18: 10,0 ↑  
 19: 10,4\* ←  
 20: 10,7\* ↗

Serie 103,7  
 Totalt 206,1

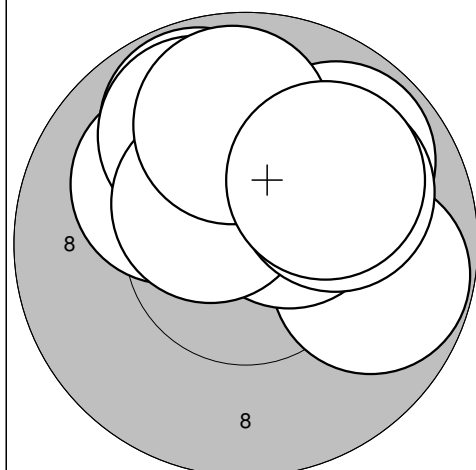
60 shot



21: 10,3\* ↖  
 22: 10,7\* →  
 23: 10,9\* ←  
 24: 10,0 ↗  
 25: 10,2\* ↑  
 26: 10,7\* ↑  
 27: 10,4\* →  
 28: 10,2\* ↗  
 29: 10,1 →  
 30: 10,8\* ↗

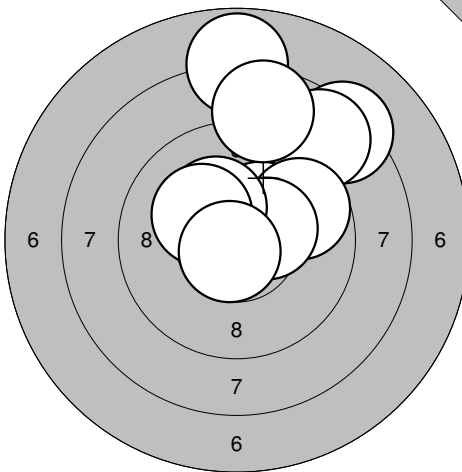
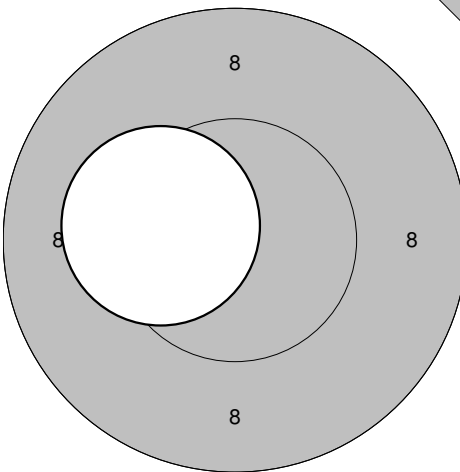
Serie 104,3  
 Totalt 310,4

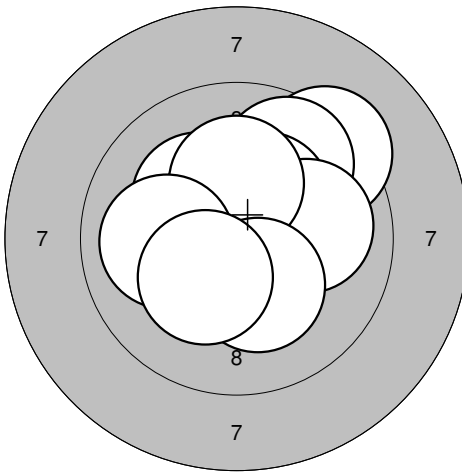
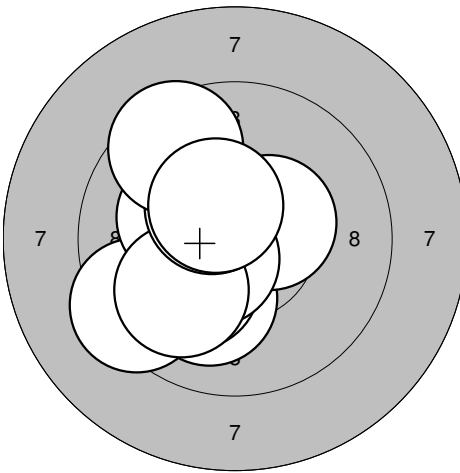
60 shot

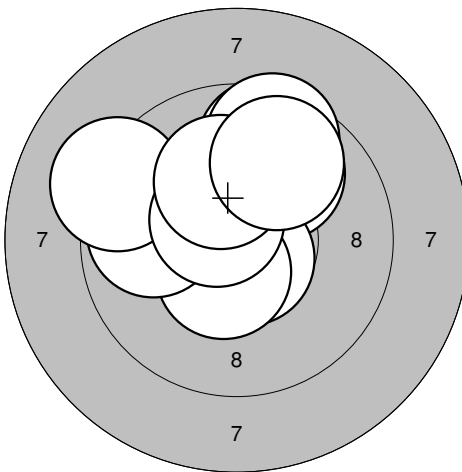
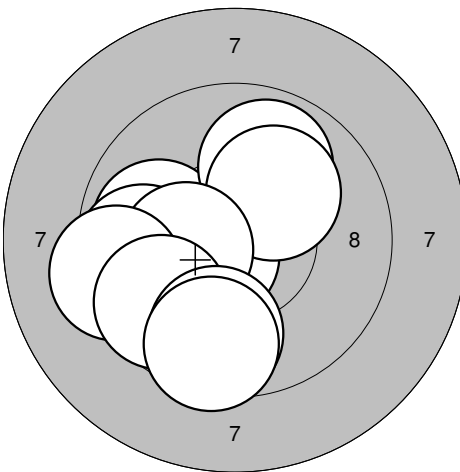


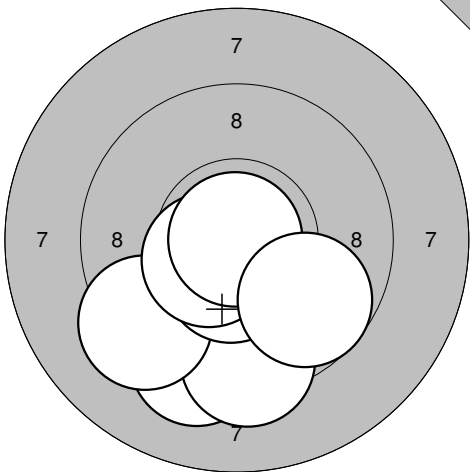
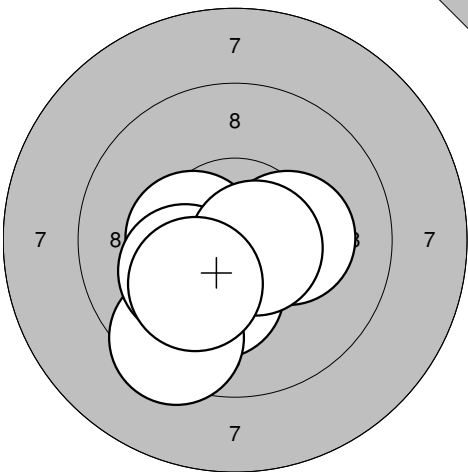
31: 9,8 ↗  
 32: 9,8 →  
 33: 10,4\* ↗  
 34: 9,8 ↑  
 35: 10,1 ↖  
 36: 9,9 ↑  
 37: 10,5\* ↖  
 38: 10,0 ↗  
 39: 9,9 ↑  
 40: 10,0 ↗

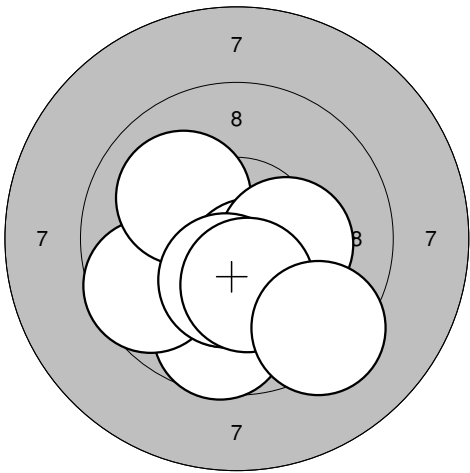
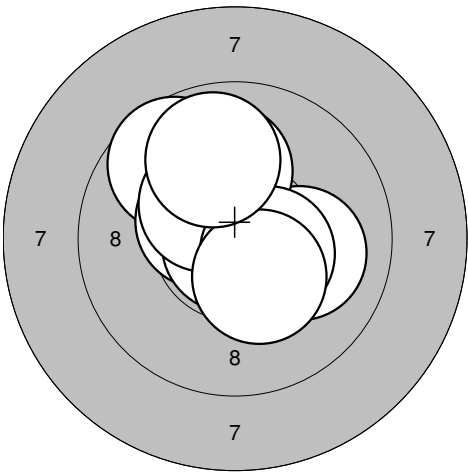
Serie 100,2  
 Totalt 410,6

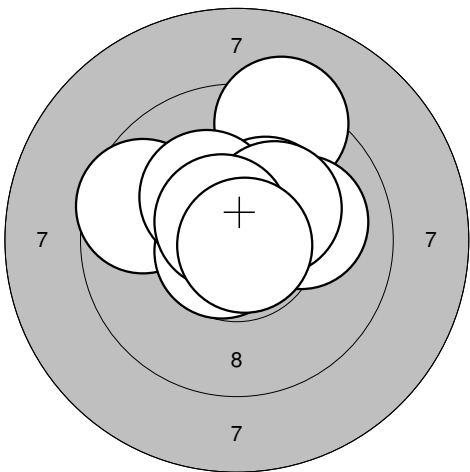
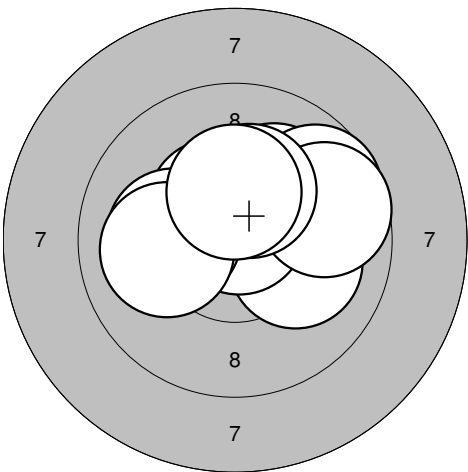
<p>Sight</p>  <p style="text-align: center;">6 7 8 7 6</p> <p style="text-align: center;">8</p> <p style="text-align: center;">7</p> <p style="text-align: center;">6</p>	<p>1: 8,3 ↗</p> <p>2: 10,3* ↗</p> <p>3: 7,9 ↑</p> <p>4: 8,6 ↗</p> <p>5: 9,7 →</p> <p>6: 10,4* →</p> <p>7: 10,3* ↗</p> <p>8: 8,6 ↑</p> <p>9: 10,2* ↗</p> <p>10: 10,7* ↓</p> <table border="1" style="width:100%; border-collapse: collapse;"> <tr> <td style="text-align: right;">Serie</td> <td style="text-align: right;">95,0</td> </tr> <tr> <td style="text-align: right;">Totalt</td> <td style="text-align: right;">0,0</td> </tr> </table>	Serie	95,0	Totalt	0,0	<p>Sight</p>  <p style="text-align: center;">8</p> <p style="text-align: center;">8</p> <p style="text-align: center;">8</p>	<p>11: 10,3* ←</p> <table border="1" style="width:100%; border-collapse: collapse;"> <tr> <td style="text-align: right;">Serie</td> <td style="text-align: right;">10,3</td> </tr> <tr> <td style="text-align: right;">Totalt</td> <td style="text-align: right;">0,0</td> </tr> </table>	Serie	10,3	Totalt	0,0
Serie	95,0										
Totalt	0,0										
Serie	10,3										
Totalt	0,0										

<p>60 shot</p>  <p style="text-align: center;">7</p> <p style="text-align: center;">7</p> <p style="text-align: center;">8</p> <p style="text-align: center;">7</p>	<p>1: 10,2* ↖</p> <p>2: 10,5* ↑</p> <p>3: 9,3 ↗</p> <p>4: 9,8 ↗</p> <p>5: 10,3* ↗</p> <p>6: 10,0 →</p> <p>7: 10,2* ↑</p> <p>8: 10,3* ↓</p> <p>9: 10,0 ←</p> <p>10: 10,3* ↘</p> <table border="1" style="width:100%; border-collapse: collapse;"> <tr> <td style="text-align: right;">Serie</td> <td style="text-align: right;">100,9</td> </tr> <tr> <td style="text-align: right;">Totalt</td> <td style="text-align: right;">100,9</td> </tr> </table>	Serie	100,9	Totalt	100,9	<p>60 shot</p>  <p style="text-align: center;">7</p> <p style="text-align: center;">8</p> <p style="text-align: center;">7</p> <p style="text-align: center;">7</p>	<p>11: 10,1 ↓</p> <p>12: 10,4* →</p> <p>13: 9,4 ↖</p> <p>14: 10,1 ↖</p> <p>15: 10,5* ↖</p> <p>16: 10,2* ←</p> <p>17: 10,0 ↖</p> <p>18: 10,4* ↗</p> <p>19: 9,5 ↗</p> <p>20: 10,4* ↗</p> <table border="1" style="width:100%; border-collapse: collapse;"> <tr> <td style="text-align: right;">Serie</td> <td style="text-align: right;">101,0</td> </tr> <tr> <td style="text-align: right;">Totalt</td> <td style="text-align: right;">201,9</td> </tr> </table>	Serie	101,0	Totalt	201,9
Serie	100,9										
Totalt	100,9										
Serie	101,0										
Totalt	201,9										

<p>60 shot</p>  <p style="text-align: center;">7</p> <p style="text-align: center;">8</p> <p style="text-align: center;">8</p> <p style="text-align: center;">7</p>	<p>21: 9,9 ↗</p> <p>22: 9,6 ↑</p> <p>23: 10,7* ↓</p> <p>24: 9,5 ↑</p> <p>25: 10,5* ↓</p> <p>26: 9,8 ←</p> <p>27: 9,2 ↖</p> <p>28: 10,6* ↗</p> <p>29: 10,2* ↑</p> <p>30: 9,8 ↗</p> <table border="1" style="width:100%; border-collapse: collapse;"> <tr> <td style="text-align: right;">Serie</td> <td style="text-align: right;">99,8</td> </tr> <tr> <td style="text-align: right;">Totalt</td> <td style="text-align: right;">301,7</td> </tr> </table>	Serie	99,8	Totalt	301,7	<p>60 shot</p>  <p style="text-align: center;">7</p> <p style="text-align: center;">8</p> <p style="text-align: center;">7</p> <p style="text-align: center;">7</p>	<p>31: 9,9 ←</p> <p>32: 9,7 ←</p> <p>33: 10,6* ↖</p> <p>34: 9,9 ↑</p> <p>35: 10,1 ↗</p> <p>36: 10,3* ←</p> <p>37: 9,3 ←</p> <p>38: 9,7 ↖</p> <p>39: 9,7 ↓</p> <p>40: 9,5 ↓</p> <table border="1" style="width:100%; border-collapse: collapse;"> <tr> <td style="text-align: right;">Serie</td> <td style="text-align: right;">98,7</td> </tr> <tr> <td style="text-align: right;">Totalt</td> <td style="text-align: right;">400,4</td> </tr> </table>	Serie	98,7	Totalt	400,4
Serie	99,8										
Totalt	301,7										
Serie	98,7										
Totalt	400,4										

<p>Sight</p> 	<p>1: 9,7 ↓</p> <p>2: 9,3 ↓</p> <p>3: 9,9 ↓</p> <p>4: 9,6 ↓</p> <p>5: 9,3 ↓</p> <p>6: 9,3 ↙</p> <p>7: 10,5* ↓</p> <p>8: 10,5* ↙</p> <p>9: 10,9* ↖</p> <p>10: 9,7 ↘</p> <table border="1" style="width:100%; border-collapse: collapse;"> <tr> <td>Serie</td> <td style="text-align: right;">98,7</td> </tr> <tr> <td>Totalt</td> <td style="text-align: right;">0,0</td> </tr> </table>	Serie	98,7	Totalt	0,0	<p>Sight</p> 	<p>11: 10,2* ↓</p> <p>12: 10,4* ←</p> <p>13: 9,4 ↓</p> <p>14: 10,2* ↙</p> <p>15: 10,2* →</p> <p>16: 10,7* ↘</p> <p>17: 10,2* ↙</p> <table border="1" style="width:100%; border-collapse: collapse;"> <tr> <td>Serie</td> <td style="text-align: right;">71,3</td> </tr> <tr> <td>Totalt</td> <td style="text-align: right;">0,0</td> </tr> </table>	Serie	71,3	Totalt	0,0
Serie	98,7										
Totalt	0,0										
Serie	71,3										
Totalt	0,0										

<p>60 shot</p> 	<p>1: 9,7 ↓</p> <p>2: 10,3* ↙</p> <p>3: 9,6 ↙</p> <p>4: 10,1 ↗</p> <p>5: 10,4* ↓</p> <p>6: 10,5* ↓</p> <p>7: 10,3* →</p> <p>8: 10,4* ↓</p> <p>9: 10,3* ↓</p> <p>10: 9,3 ↓</p> <table border="1" style="width:100%; border-collapse: collapse;"> <tr> <td>Serie</td> <td style="text-align: right;">100,9</td> </tr> <tr> <td>Totalt</td> <td style="text-align: right;">100,9</td> </tr> </table>	Serie	100,9	Totalt	100,9	<p>60 shot</p> 	<p>11: 9,7 ↗</p> <p>12: 10,1 →</p> <p>13: 10,0 ↑</p> <p>14: 10,5* ↖</p> <p>15: 10,4* ↓</p> <p>16: 10,8* ↙</p> <p>17: 10,4* ↗</p> <p>18: 10,5* ↘</p> <p>19: 10,3* ↓</p> <p>20: 9,9 ↑</p> <table border="1" style="width:100%; border-collapse: collapse;"> <tr> <td>Serie</td> <td style="text-align: right;">102,6</td> </tr> <tr> <td>Totalt</td> <td style="text-align: right;">203,5</td> </tr> </table>	Serie	102,6	Totalt	203,5
Serie	100,9										
Totalt	100,9										
Serie	102,6										
Totalt	203,5										

<p>60 shot</p> 	<p>21: 9,6 ↖</p> <p>22: 9,3 ↑</p> <p>23: 10,9* ↗</p> <p>24: 10,1 →</p> <p>25: 10,7* ↙</p> <p>26: 10,3* ↗</p> <p>27: 10,3* ↗</p> <p>28: 10,3* ↗</p> <p>29: 10,6* ↗</p> <p>30: 10,8* ↘</p> <table border="1" style="width:100%; border-collapse: collapse;"> <tr> <td>Serie</td> <td style="text-align: right;">102,9</td> </tr> <tr> <td>Totalt</td> <td style="text-align: right;">306,4</td> </tr> </table>	Serie	102,9	Totalt	306,4	<p>60 shot</p> 	<p>31: 10,4* ↗</p> <p>32: 10,1 ↗</p> <p>33: 9,7 ↗</p> <p>34: 10,1 →</p> <p>35: 10,8* ↑</p> <p>36: 10,1 ←</p> <p>37: 9,7 →</p> <p>38: 10,3* ↑</p> <p>39: 10,0 ←</p> <p>40: 10,3* ↑</p> <table border="1" style="width:100%; border-collapse: collapse;"> <tr> <td>Serie</td> <td style="text-align: right;">101,5</td> </tr> <tr> <td>Totalt</td> <td style="text-align: right;">407,9</td> </tr> </table>	Serie	101,5	Totalt	407,9
Serie	102,9										
Totalt	306,4										
Serie	101,5										
Totalt	407,9										

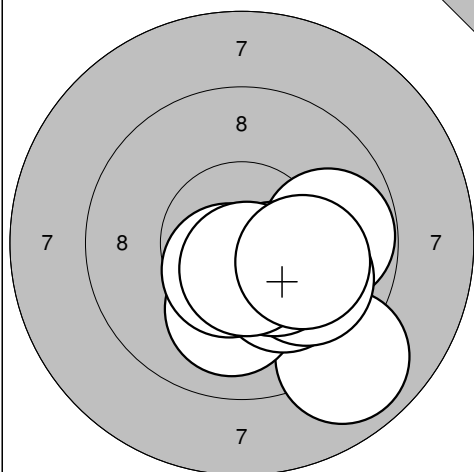
Ramselefors

2011-04-09

UME-Kulan 2011

Umeå skytteallians

Sight

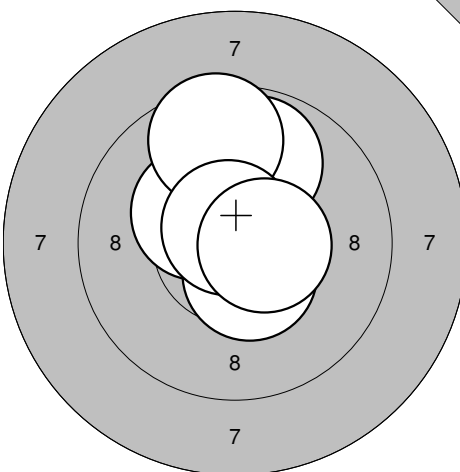


1: 8,9 ↘  
 2: 10,3\* ↘  
 3: 10,1 ↘  
 4: 9,8 →  
 5: 10,5\* ↘  
 6: 10,2\* ↘  
 7: 10,0 ↘  
 8: 10,4\* ↘  
 9: 10,6\* ↘  
 10: 10,1 →

Serie 100,9

Totalt 0,0

Sight

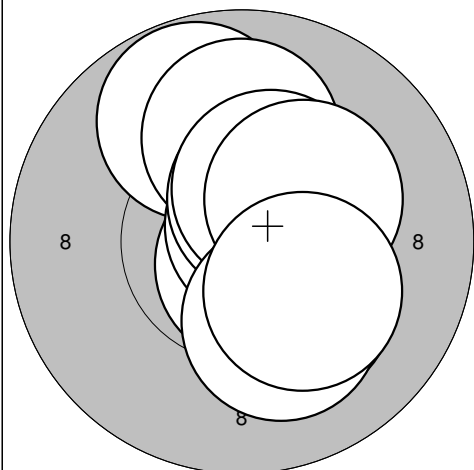


11: 10,9\* ↗  
 12: 10,5\* ↘  
 13: 10,3\* ↗  
 14: 9,9 ↑  
 15: 9,6 ↑  
 16: 10,7\* ↗  
 17: 10,5\* →

Serie 72,4

Totalt 0,0

60 shot

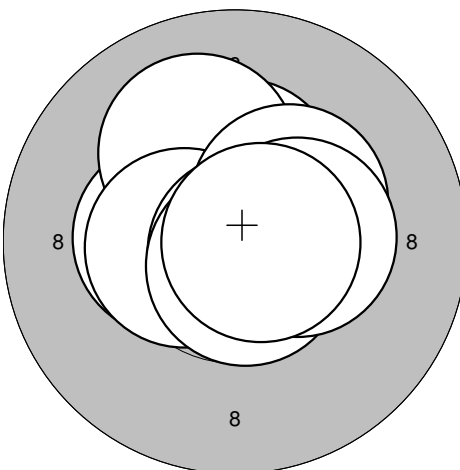


1: 10,7\* ↘  
 2: 9,8 ↑  
 3: 10,2\* ↘  
 4: 10,0 ↑  
 5: 10,7\* ↗  
 6: 10,5\* ↗  
 7: 10,4\* ↗  
 8: 10,1 ↘  
 9: 10,3\* ↗  
 10: 10,2\* ↘

Serie 102,9

Totalt 102,9

60 shot

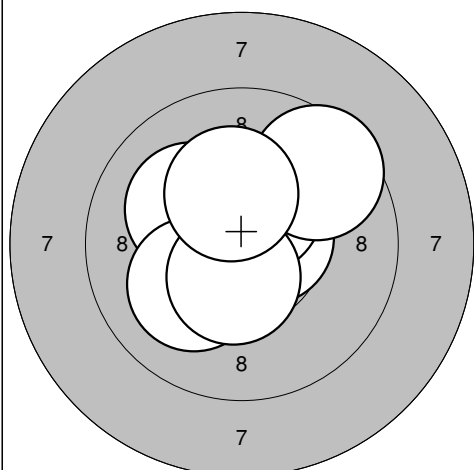


11: 10,4\* ↑  
 12: 10,4\* ←  
 13: 10,1 ↗  
 14: 10,5\* ←  
 15: 10,5\* →  
 16: 10,8\* ↘  
 17: 10,7\* ↘  
 18: 10,4\* ↗  
 19: 10,4\* →  
 20: 10,7\* →

Serie 104,9

Totalt 207,8

60 shot

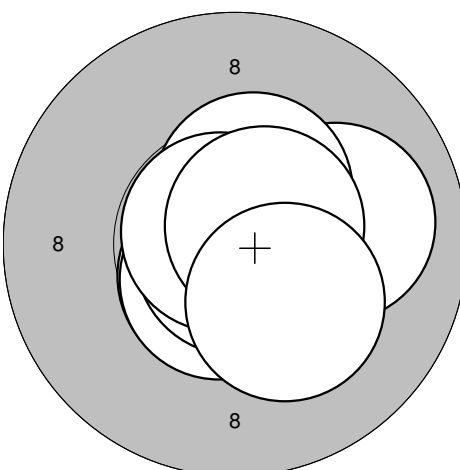


21: 10,7\* ↘  
 22: 10,6\* →  
 23: 10,7\* ←  
 24: 10,4\* ↑  
 25: 10,4\* ↑  
 26: 10,1 ↗  
 27: 10,1 ↘  
 28: 10,5\* ↘  
 29: 9,6 ↗  
 30: 10,3\* ↑

Serie 103,4

Totalt 311,2

60 shot



31: 10,6\* ↘  
 32: 10,7\* ↗  
 33: 10,6\* ↘  
 34: 10,6\* ↘  
 35: 10,0 →  
 36: 10,5\* ↑  
 37: 10,8\* ↘  
 38: 10,8\* ↗  
 39: 10,6\* ↗  
 40: 10,3\* ↘

Serie 105,5

Totalt 416,7

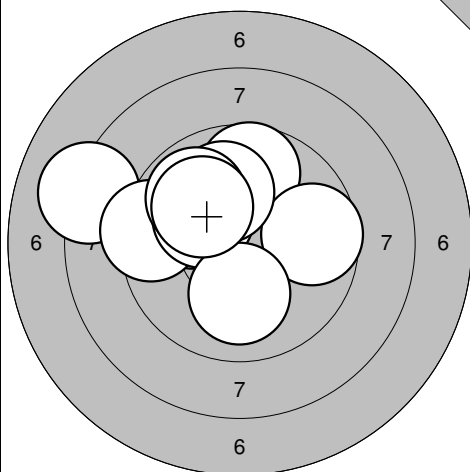
Kyrkås

2011-04-09

UME-Kulan 2011

Umeå skytteallians

Sight

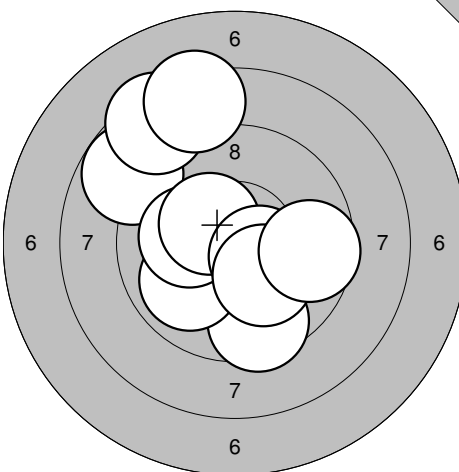


1: 10,0 ↖  
 2: 9,7 ↑  
 3: 8,1 ↖  
 4: 9,4 ↖  
 5: 9,7 →  
 6: 10,2\* ↗  
 7: 10,0 ↗  
 8: 10,1 ↓  
 9: 9,9 ↗  
 10: 10,0 ↗

Serie 97,1

Totalt 0,0

Sight

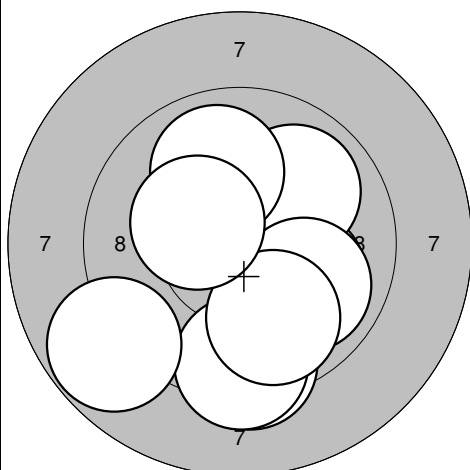


11: 8,8 ↖  
 12: 9,5 ↓  
 13: 9,9 ↖  
 14: 10,1 ↖  
 15: 10,4\* ↗  
 16: 10,5\* ↘  
 17: 8,4 ↗  
 18: 10,2\* ↓  
 19: 8,4 ↑  
 20: 9,6 →

Serie 95,8

Totalt 0,0

60 shot

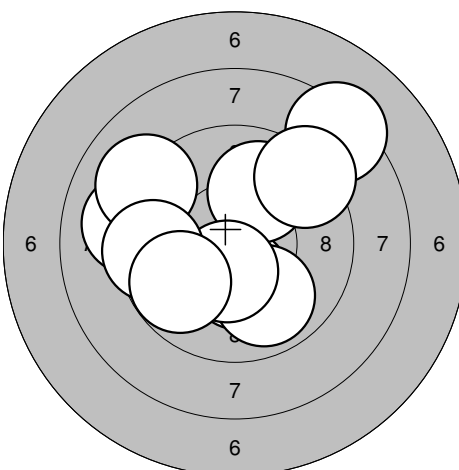


1: 10,0 ↘  
 2: 10,7\* ↑  
 3: 9,4 ↓  
 4: 9,9 ↗  
 5: 9,9 ↘  
 6: 9,4 ↓  
 7: 8,8 ↖  
 8: 9,9 ↓  
 9: 9,9 ↑  
 10: 10,3\* ↖

Serie 98,2

Totalt 98,2

60 shot

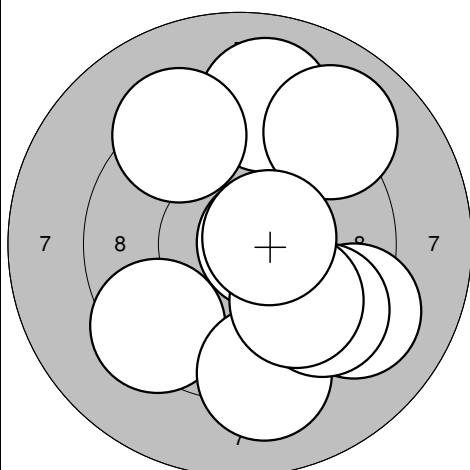


11: 10,3\* ↓  
 12: 10,0 ↗  
 13: 9,9 ↓  
 14: 8,3 ↗  
 15: 9,1 ↖  
 16: 9,1 ↖  
 17: 10,4\* ↓  
 18: 9,5 ↖  
 19: 9,2 ↗  
 20: 9,8 ↖

Serie 95,6

Totalt 193,8

60 shot

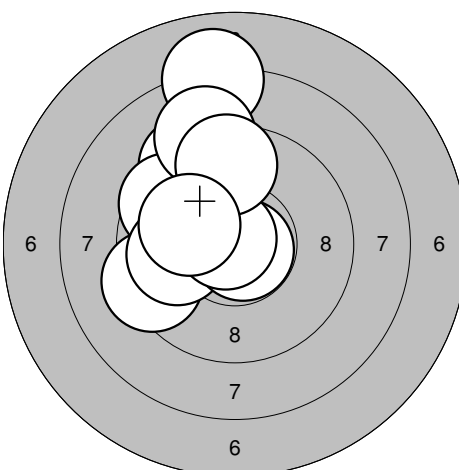


21: 9,2 ↘  
 22: 10,6\* →  
 23: 9,4 ↖  
 24: 9,2 ↓  
 25: 9,5 ↘  
 26: 9,1 ↑  
 27: 9,9 ↘  
 28: 9,3 ↗  
 29: 9,0 ↗  
 30: 10,5\* →

Serie 95,7

Totalt 289,5

60 shot



31: 9,4 ↗  
 32: 9,6 ↖  
 33: 9,4 ↖  
 34: 9,9 ↖  
 35: 8,0 ↑  
 36: 10,8\* ↘  
 37: 10,8\* ↖  
 38: 9,0 ↑  
 39: 9,6 ↑  
 40: 10,1 ↖

Serie 96,6

Totalt 386,1

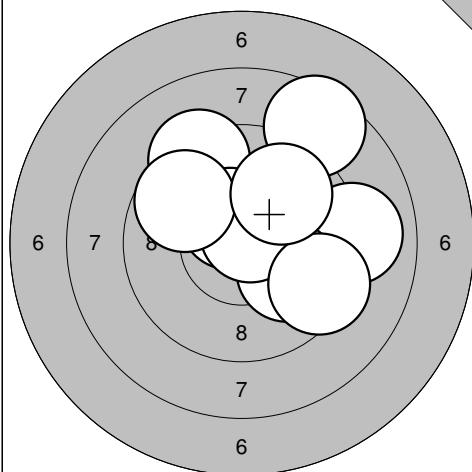
Ramselefors

2011-04-09

UME-Kulan 2011

Umeå skytteallians

Sight

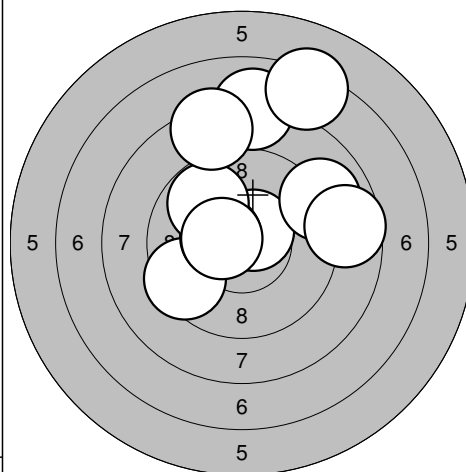


1: 9,0 →  
 2: 8,5 ↗  
 3: 9,3 ↗  
 4: 10,5\* ↗  
 5: 10,0 ↘  
 6: 10,7\* ↗  
 7: 9,4 ↘  
 8: 9,7 ↗  
 9: 9,8 ↗

Serie 86,9

Totalt 0,0

60 shot

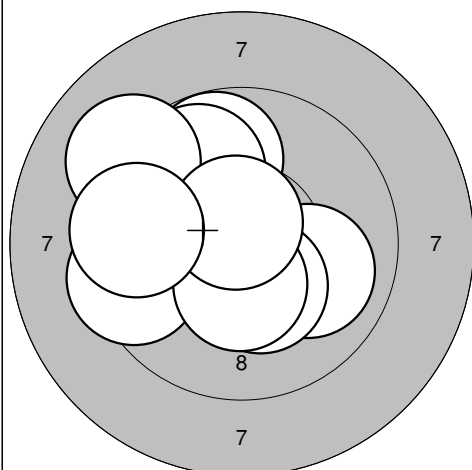


1: 9,5 ↙  
 2: 10,6\* ↗  
 3: 9,0 ↗  
 4: 8,7 →  
 5: 10,5\* ↙  
 6: 8,0 ↑  
 7: 9,8 ↗  
 8: 8,4 ↑  
 9: 10,5\* ↙  
 10: 7,3 ↗

Serie 92,3

Totalt 92,3

60 shot

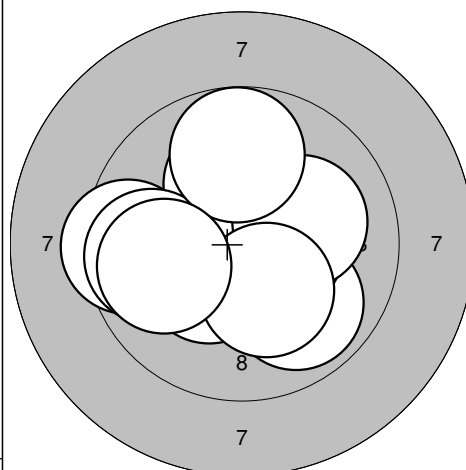


11: 10,0 ↘  
 12: 9,7 ←  
 13: 9,8 ↗  
 14: 10,3\* ↘  
 15: 9,4 ←  
 16: 9,8 ↗  
 17: 9,1 ↗  
 18: 10,4\* ↘  
 19: 10,7\* ↗  
 20: 9,5 ←

Serie 98,7

Totalt 191,0

60 shot

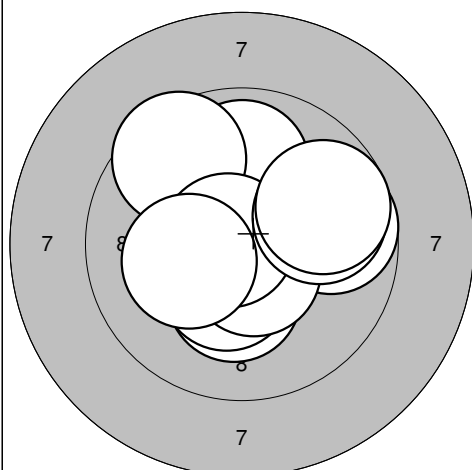


21: 9,9 ↘  
 22: 10,1 ↑  
 23: 10,5\* →  
 24: 9,4 ←  
 25: 9,7 ←  
 26: 10,3\* ↘  
 27: 10,1 →  
 28: 10,2\* ↘  
 29: 9,8 ↑  
 30: 9,9 ←

Serie 99,9

Totalt 290,9

60 shot



31: 9,7 →  
 32: 9,9 ↑  
 33: 9,5 ↗  
 34: 10,3\* ↘  
 35: 10,4\* ↘  
 36: 10,6\* ↘  
 37: 10,8\* ←  
 38: 10,2\* ↙  
 39: 9,8 →  
 40: 9,8 →

Serie 101,0

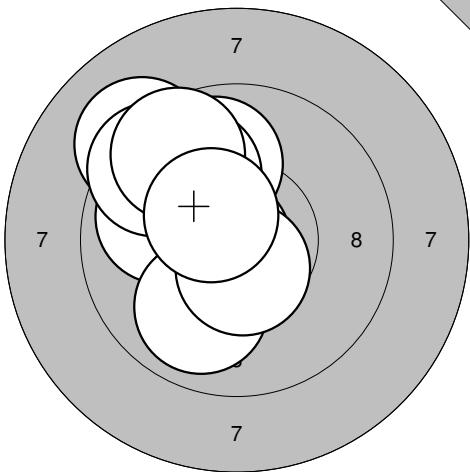
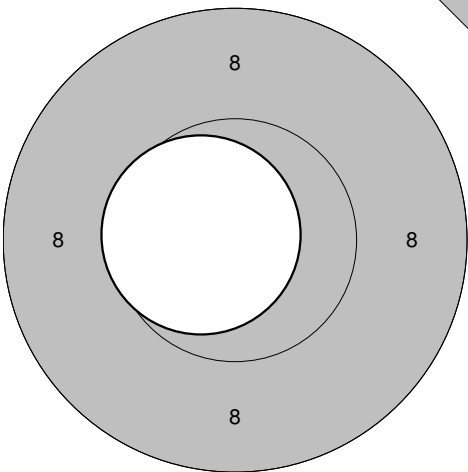
Totalt 391,9

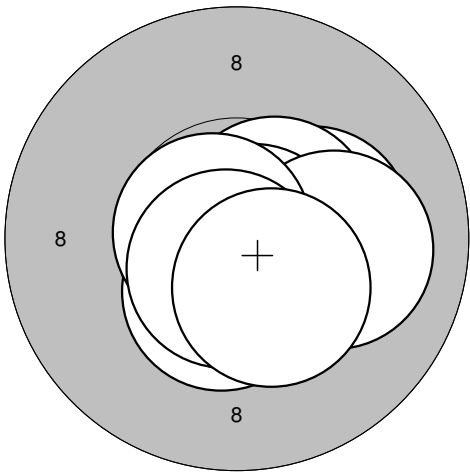
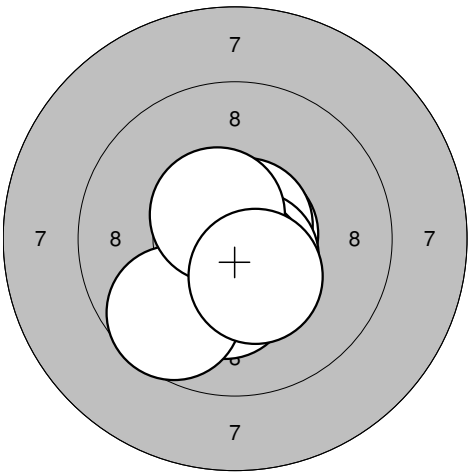
Kyrkås

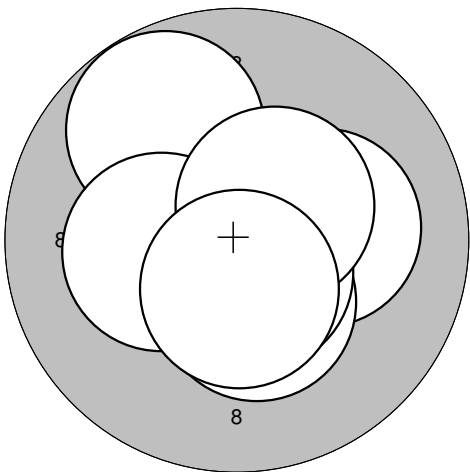
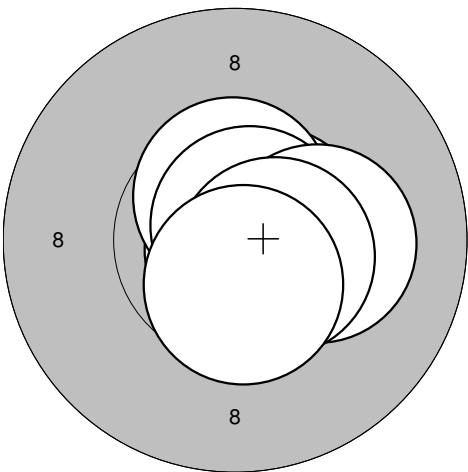
2011-04-09

UME-Kulan 2011

Umeå skytteallians

<p>Sight</p> 	<p>Sight</p> 	<p>11: 10,6* ←</p>
<p>Serie 99,8</p> <p>Totalt 0,0</p>	<p>Serie 10,6</p> <p>Totalt 0,0</p>	

<p>60 shot</p> 	<p>60 shot</p> 	<p>11: 10,7* →</p> <p>12: 10,4* ↓</p> <p>13: 10,2* ↓</p> <p>14: 10,7* ↗</p> <p>15: 10,6* ↓</p> <p>16: 10,6* ↓</p> <p>17: 10,5* ↓</p> <p>18: 9,7 ↙</p> <p>19: 10,6* ↗</p> <p>20: 10,4* ↓</p>
<p>Serie 105,3</p> <p>Totalt 105,3</p>	<p>Serie 104,4</p> <p>Totalt 209,7</p>	

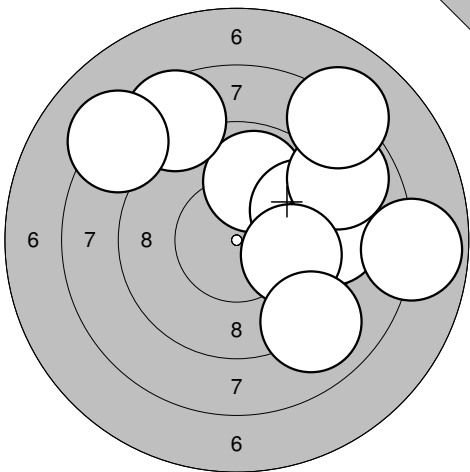
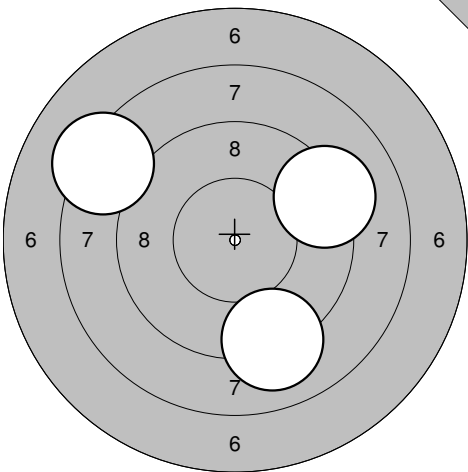
<p>60 shot</p> 	<p>60 shot</p> 	<p>31: 10,7* →</p> <p>32: 10,7* ↗</p> <p>33: 10,6* →</p> <p>34: 10,8* ↓</p> <p>35: 10,5* →</p> <p>36: 10,6* ↑</p> <p>37: 10,8* ↗</p> <p>38: 10,2* →</p> <p>39: 10,6* →</p> <p>40: 10,5* ↓</p>
<p>Serie 104,1</p> <p>Totalt 313,8</p>	<p>Serie 106,0</p> <p>Totalt 419,8</p>	

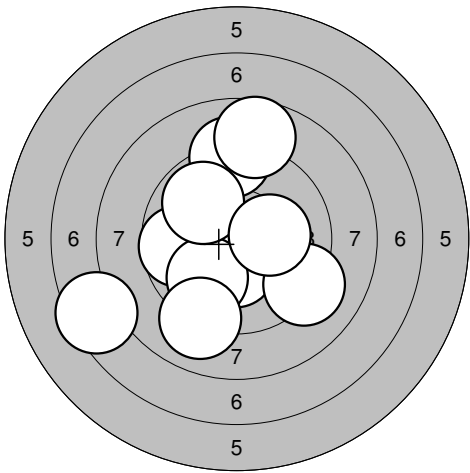
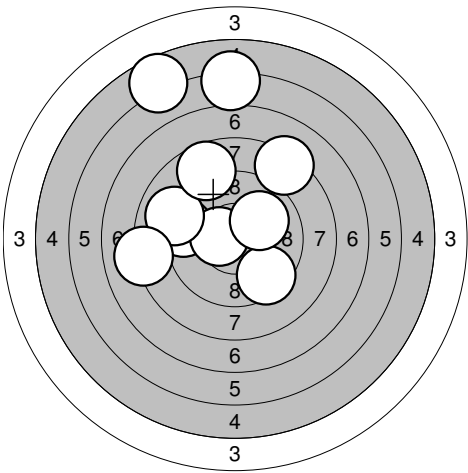
Ramselefors

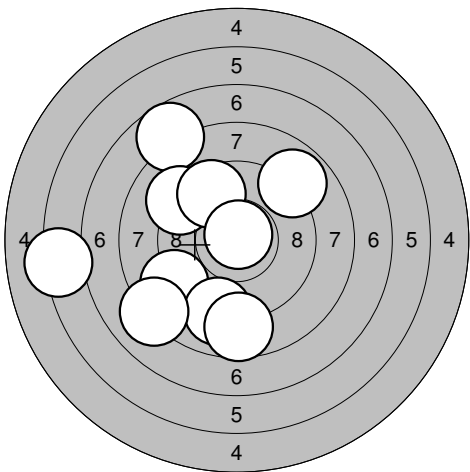
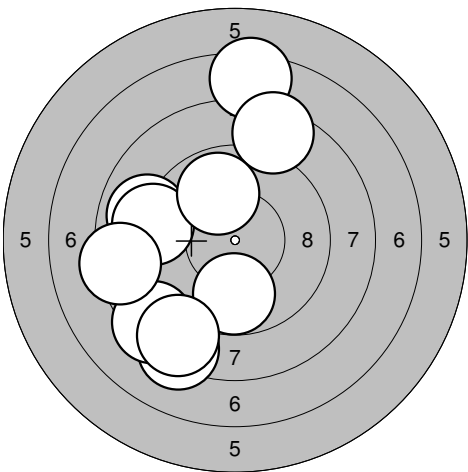
2011-04-09

UME-Kulan 2011

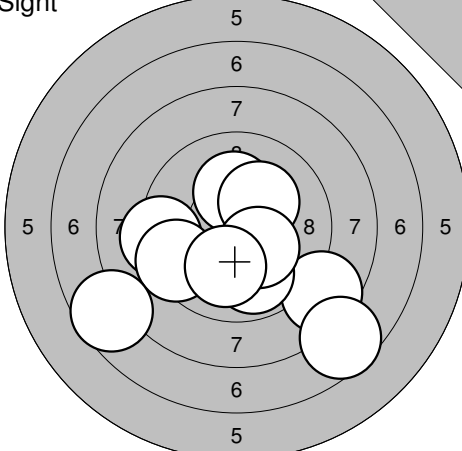
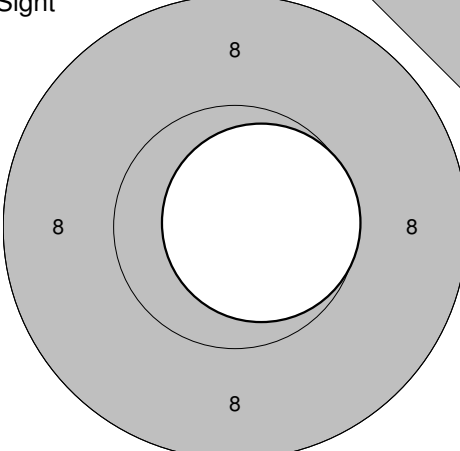
Umeå skytteallians

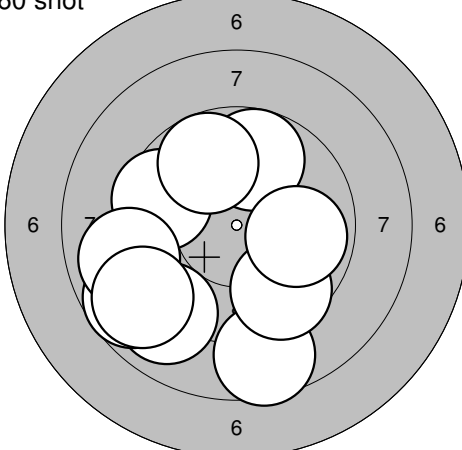
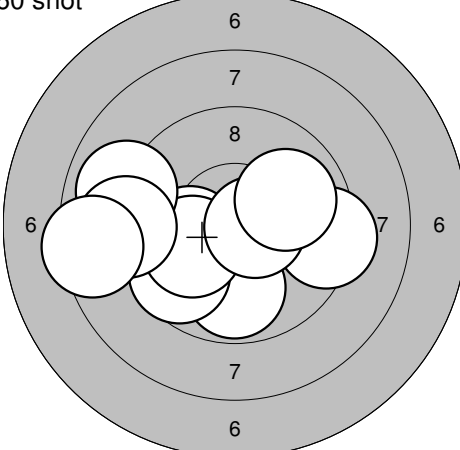
<p>Sight</p> 	<p>1: 9,9 ↗ 2: 9,7 → 3: 9,3 → 4: 7,9 → 5: 8,6 ↗ 6: 8,9 → 7: 8,2 ↗ 8: 9,9 → 9: 9,0 ↓ 10: 8,1 ↗</p> <p>Serie 89,5 Totalt 0,0</p>	<p>Sight</p> 	<p>11: 9,2 ↗ 12: 9,1 ↓ 13: 8,3 ↖</p> <p>Serie 26,6 Totalt 0,0</p>
---	--	---	---

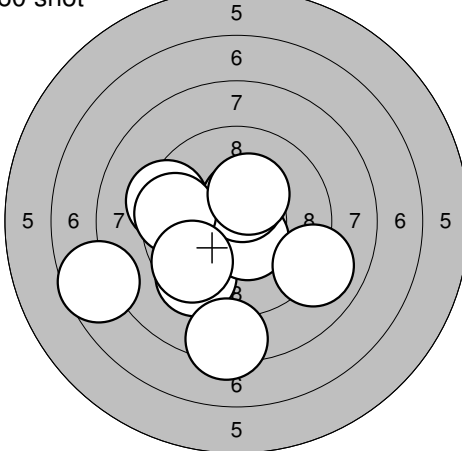
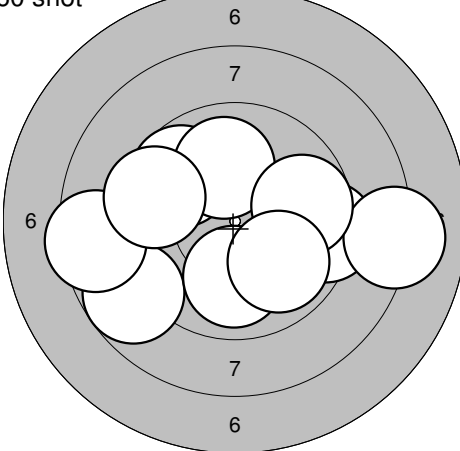
<p>60 shot</p> 	<p>1: 7,5 ↖ 2: 9,2 ↑ 3: 9,7 ← 4: 10,3* ↓ 5: 9,2 → 6: 9,9 ↖ 7: 8,7 ↑ 8: 9,9 ↗ 9: 9,0 ↓ 10: 10,2* →</p> <p>Serie 93,6 Totalt 93,6</p>	<p>60 shot</p> 	<p>11: 9,5 ↓ 12: 9,4 ← 13: 6,1 ↑ 14: 10,5* ← 15: 9,0 ← 16: 8,3 ↗ 17: 8,7 ↗ 18: 8,1 ← 19: 10,0 ↗ 20: 5,7 ↗</p> <p>Serie 85,3 Totalt 178,9</p>
--	---	--	--

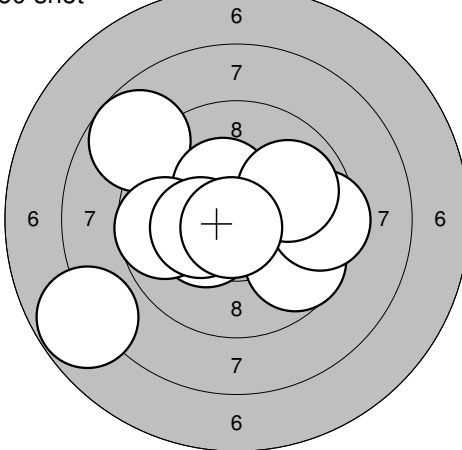
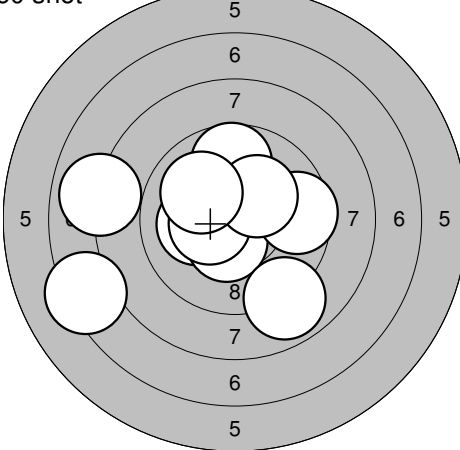
<p>60 shot</p> 	<p>21: 8,9 ↗ 22: 7,7 ↗ 23: 9,1 ↗ 24: 9,6 ↗ 25: 8,9 ↖ 26: 9,0 ↓ 27: 6,2 ← 28: 8,1 ↖ 29: 8,7 ↓ 30: 10,8* ↗</p> <p>Serie 87,0 Totalt 265,9</p>	<p>60 shot</p> 	<p>31: 9,0 ← 32: 7,4 ↑ 33: 8,5 ↑ 34: 9,1 ← 35: 9,9 ↗ 36: 8,3 ↖ 37: 8,4 ↖ 38: 9,8 ↓ 39: 8,5 ↖ 40: 8,4 ←</p> <p>Serie 87,3 Totalt 353,2</p>
---	---	---	---



<p>Sight</p> 	<p>1: 8,6 ↘                  2: 10,2* ↑                  3: 10,2* ↗                  4: 9,9 ↓                  5: 7,6 ↓                  6: 10,3* ↓                  7: 9,3 ←                  8: 9,4 ←                  9: 7,6 ←                  10: 10,1 ↓</p> <p>Serie 89,0 Totalt 0,0</p>	<p>Sight</p>  <p style="text-align: right;">11: 10,7* →</p> <p>Serie 10,0 Totalt 0,0</p>
---	--	--

<p>60 shot</p> 	<p>1: 8,6 ↓                  2: 9,6 ←                  3: 9,0 ↓                  4: 8,7 ←                  5: 9,0 ←                  6: 9,8 ↑                  7: 9,6 ↓                  8: 8,9 ↓                  9: 9,9 →                  10: 9,8 ↑</p> <p>Serie 87,0 Totalt 87,0</p>	<p>60 shot</p>  <p style="text-align: right;">11: 10,1 ←                  12: 9,8 ↓                  13: 9,7 ↓                  14: 9,3 →                  15: 10,1 ←                  16: 10,6* →                  17: 10,0 →                  18: 9,0 ←                  19: 9,0 ←                  20: 8,4 ←</p> <p>Serie 93,0 Totalt 180,0</p>
--	--	---

<p>60 shot</p> 	<p>21: 9,4 ←                  22: 9,5 ↓                  23: 10,5* ↓                  24: 10,5* ↑                  25: 8,3 ↓                  26: 9,6 ←                  27: 7,6 ←                  28: 10,3* ↑                  29: 9,6 ↓                  30: 9,0 ↓</p> <p>Serie 90,0 Totalt 270,0</p>	<p>60 shot</p>  <p style="text-align: right;">31: 9,7 ↗                  32: 8,8 ←                  33: 8,5 ←                  34: 10,0 ↓                  35: 9,3 →                  36: 10,0 ↑                  37: 9,5 ←                  38: 8,1 →                  39: 9,7 →                  40: 9,9 ↓</p> <p>Serie 89,0 Totalt 359,0</p>
---	--	---

<p>60 shot</p> 	<p>41: 9,7 ↘                  42: 9,5 →                  43: 8,8 ↗                  44: 7,8 ↓                  45: 10,3* ←                  46: 10,4* ↑                  47: 9,7 ←                  48: 9,9 →                  49: 10,3* ←                  50: 10,8* ↓</p> <p>Serie 91,0 Totalt 450,0</p>	<p>60 shot</p>  <p style="text-align: right;">51: 10,1 ←                  52: 7,3 ←                  53: 10,4* ↓                  54: 10,4* ←                  55: 8,9 ↓                  56: 9,7 ↑                  57: 8,0 ←                  58: 9,6 →                  59: 10,3* ↗                  60: 10,0 ↖</p> <p>Serie 91,0 Totalt 541,0</p>
---	--	---

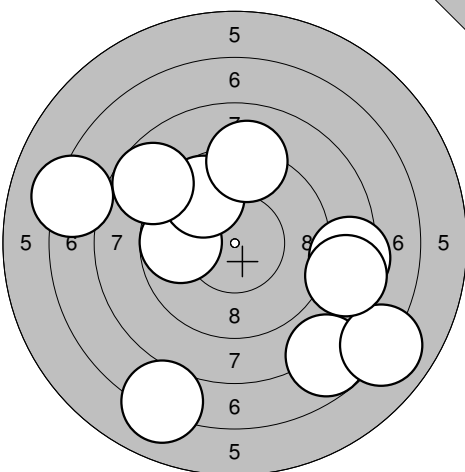
Drängsmark

2011-04-09

UME-Kulan 2011

Umeå skytteallians

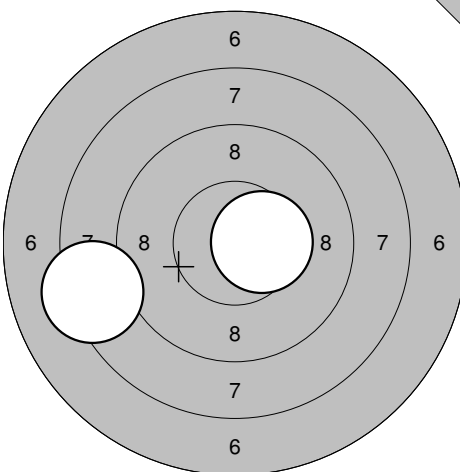
Sight



1: 7,2 ←  
 2: 9,8 ←  
 3: 7,8 ↘  
 4: 7,0 ↘  
 5: 9,7 ↗  
 6: 8,4 →  
 7: 8,4 →  
 8: 9,1 ↑  
 9: 8,7 ↗  
 10: 7,1 ↘

Serie 79,0  
 Totalt 0,0

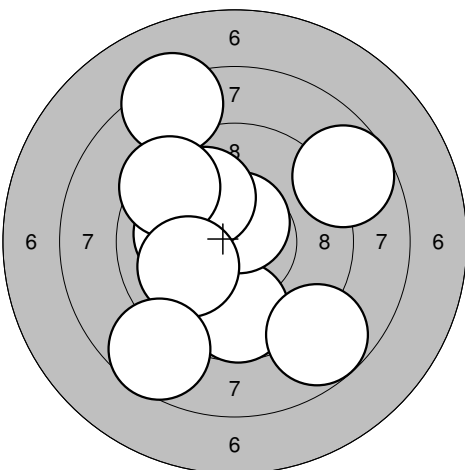
Sight



11: 8,3 ←  
 12: 10,5\* →

Serie 18,0  
 Totalt 0,0

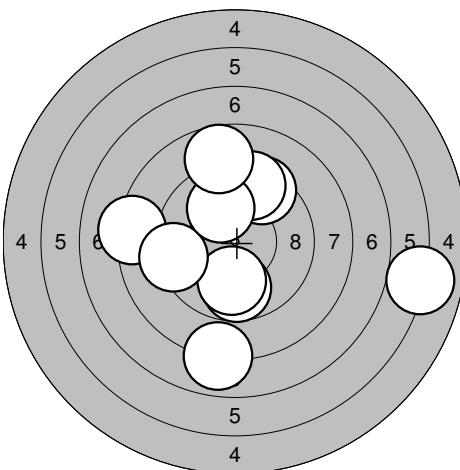
60 shot



1: 8,3 ↗  
 2: 8,7 ↗  
 3: 10,1 ←  
 4: 9,7 ↘  
 5: 10,6\* ↑  
 6: 10,0 ↗  
 7: 8,8 ↘  
 8: 9,5 ↗  
 9: 10,0 ←  
 10: 8,6 ↘

Serie 90,0  
 Totalt 90,0

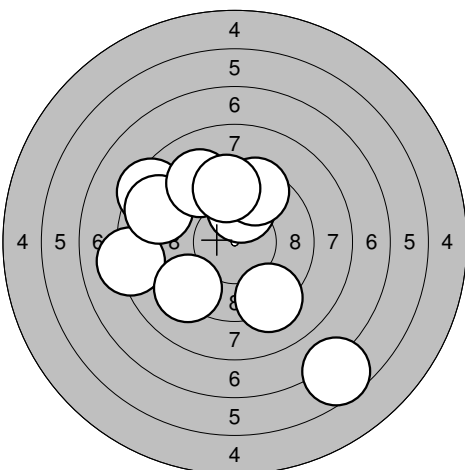
60 shot



11: 6,0 →  
 12: 9,4 ↗  
 13: 8,2 ←  
 14: 9,7 ↘  
 15: 9,9 ↘  
 16: 9,4 ↗  
 17: 9,3 ←  
 18: 10,0 ↗  
 19: 7,9 ↘  
 20: 8,7 ↗

Serie 84,0  
 Totalt 174,0

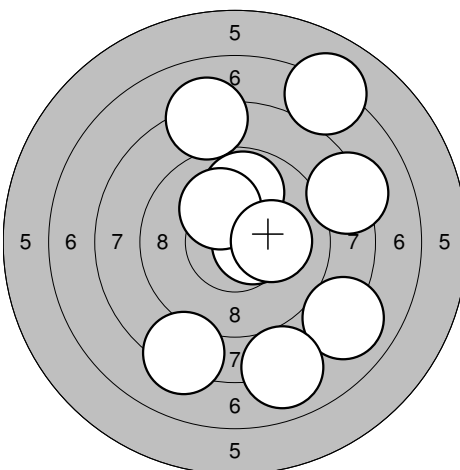
60 shot



21: 8,4 ↘  
 22: 10,1 ↑  
 23: 9,5 ↗  
 24: 8,2 ←  
 25: 8,8 ↗  
 26: 6,6 ↘  
 27: 9,2 ↗  
 28: 9,2 ↘  
 29: 9,2 ↘  
 30: 9,5 ↑

Serie 85,0  
 Totalt 259,0

60 shot



31: 8,3 ↘  
 32: 8,2 ↑  
 33: 8,0 ↘  
 34: 8,0 ↘  
 35: 7,2 ↗  
 36: 10,5\* →  
 37: 9,9 ↑  
 38: 8,3 →  
 39: 10,2\* ↗  
 40: 10,1 →

Serie 86,0  
 Totalt 345,0

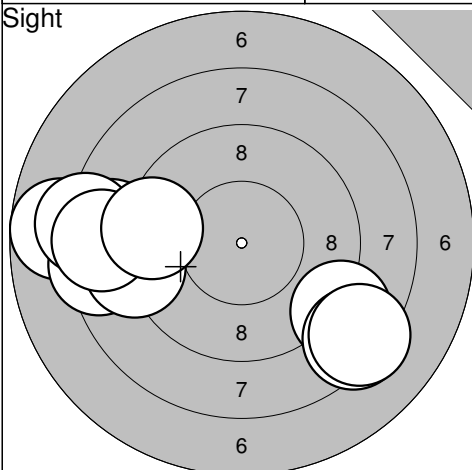
Rönnskär

2011-04-09

UME-Kulan 2011

Umeå skytteallians

Sight

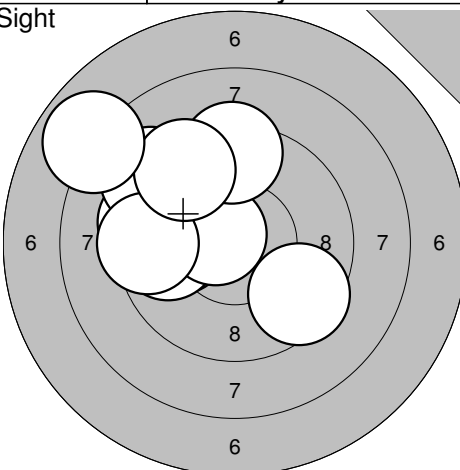


1: 8,6 ←  
 2: 7,8 ←  
 3: 8,8 ↘  
 4: 8,4 ←  
 5: 9,0 ←  
 6: 8,4 ↘  
 7: 8,3 ↘  
 8: 8,2 ←  
 9: 8,5 ←  
 10: 9,4 ←

Serie 81,0

Totalt 0,0

Sight

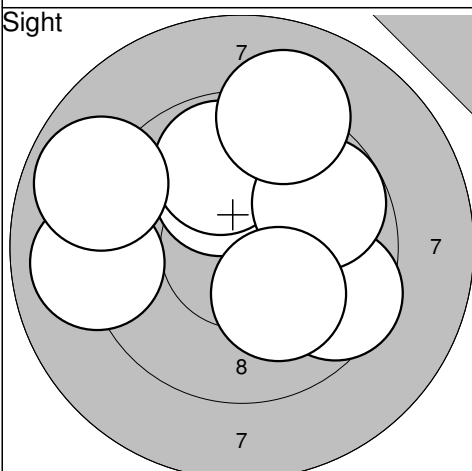


11: 9,5 ↘  
 12: 10,0 ←  
 13: 9,4 ←  
 14: 9,1 ↗  
 15: 9,8 ←  
 16: 10,6\* ↗  
 17: 9,4 ↑  
 18: 9,4 ←  
 19: 9,4 ↗  
 20: 7,9 ↗

Serie 90,0

Totalt 0,0

Sight

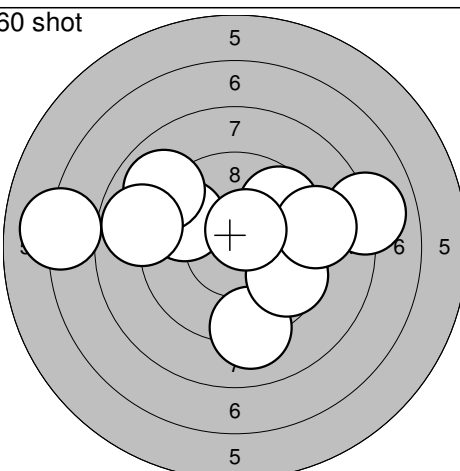


21: 9,5 ↘  
 22: 10,1 ↗  
 23: 9,9 ↗  
 24: 9,0 ←  
 25: 8,9 ↗  
 26: 9,8 ↗  
 27: 9,1 ↗  
 28: 10,2\* ↘

Serie 73,0

Totalt 0,0

60 shot

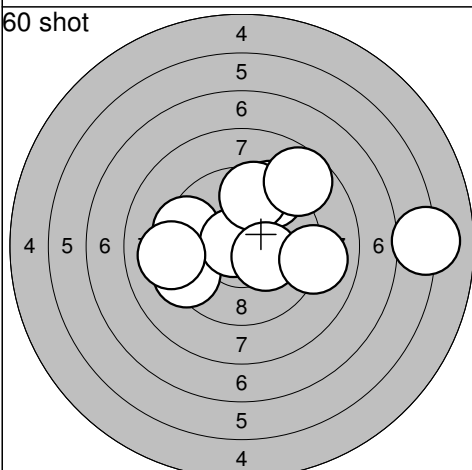


1: 9,1 ↓  
 2: 9,6 ↘  
 3: 9,6 ↗  
 4: 8,0 →  
 5: 9,7 ↗  
 6: 7,1 ←  
 7: 9,1 →  
 8: 9,0 ↗  
 9: 8,9 ←  
 10: 10,5\* ↗

Serie 87,0

Totalt 87,0

60 shot

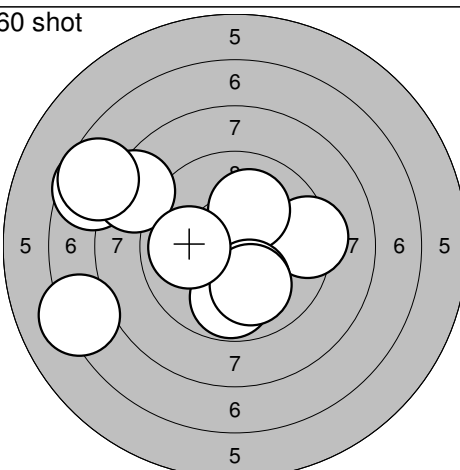


11: 9,5 ←  
 12: 9,3 ←  
 13: 10,7\* ←  
 14: 9,4 ↗  
 15: 9,6 ↗  
 16: 8,7 ↗  
 17: 6,1 →  
 18: 10,3\* ↘  
 19: 9,0 →  
 20: 9,1 ←

Serie 88,0

Totalt 175,0

60 shot

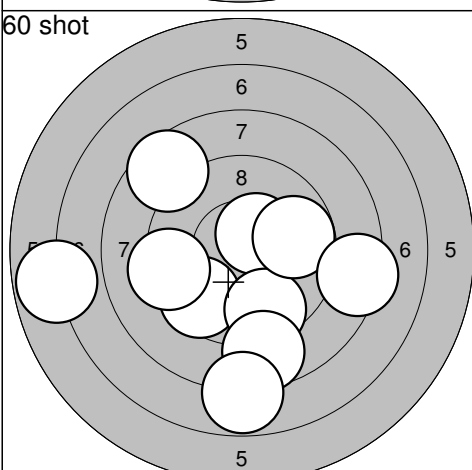


21: 7,6 ←  
 22: 9,3 →  
 23: 10,1 ↗  
 24: 10,1 ↘  
 25: 8,5 ↗  
 26: 7,2 ←  
 27: 9,8 ↓  
 28: 10,0 ↓  
 29: 7,6 ↗  
 30: 10,0 ←

Serie 87,0

Totalt 262,0

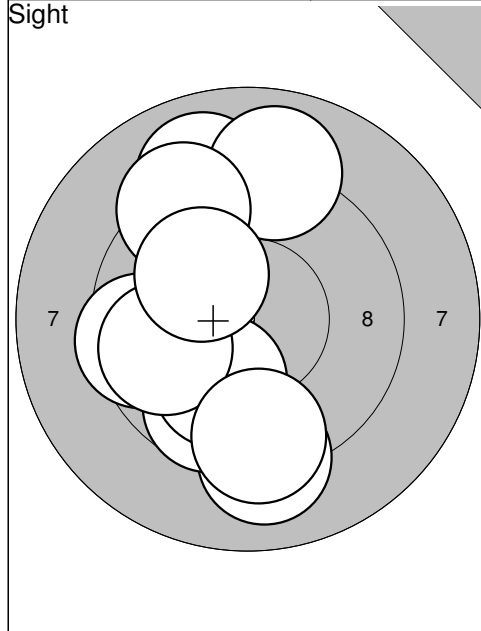
60 shot



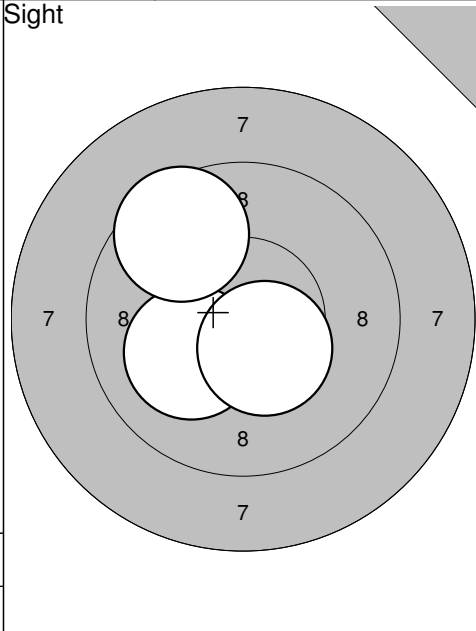
31: 6,8 ←  
 32: 10,5\* ↗  
 33: 9,6 ↘  
 34: 9,5 ↘  
 35: 9,8 →  
 36: 9,3 ←  
 37: 8,6 ↗  
 38: 8,7 ↘  
 39: 8,3 →  
 40: 7,8 ↓

Serie 83,0

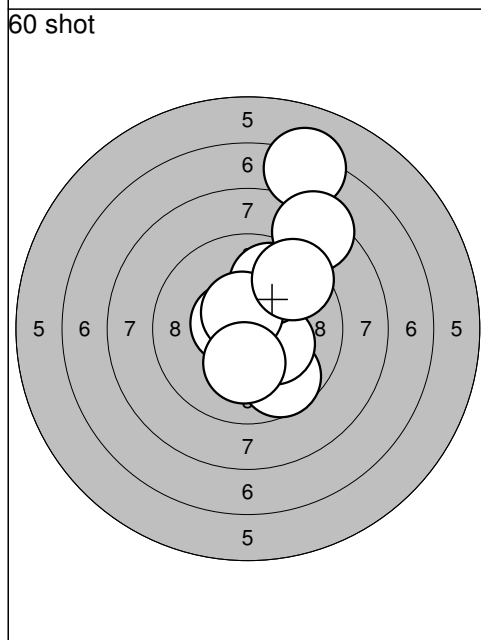
Totalt 345,0



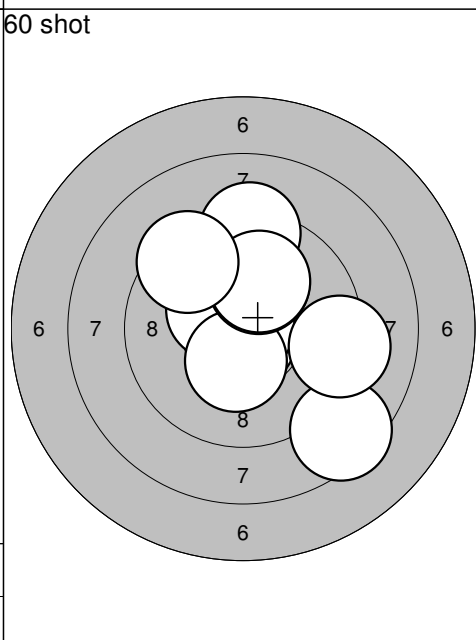
1: 9,1	↓
2: 9,7	↓
3: 9,0	↑
4: 9,0	↑
5: 9,3	↑
6: 10,0	↓
7: 9,5	←
8: 9,8	←
9: 10,1	↗
10: 9,4	↓
Serie 92,0	
Totalt 0,0	



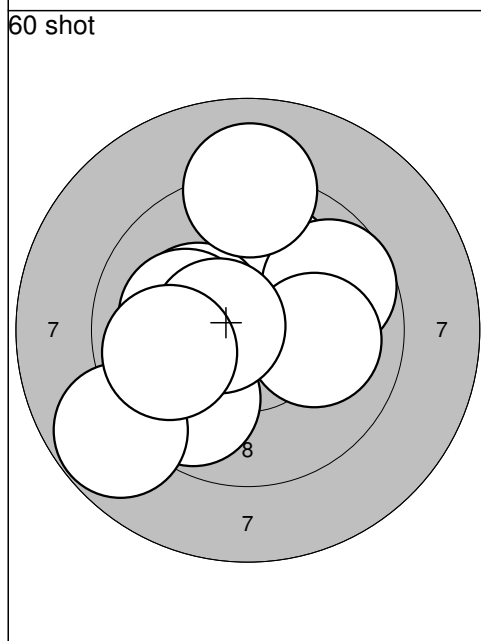
11: 10,1	↙
12: 9,6	↗
13: 10,5*	↓
Serie 29,0	
Totalt 0,0	



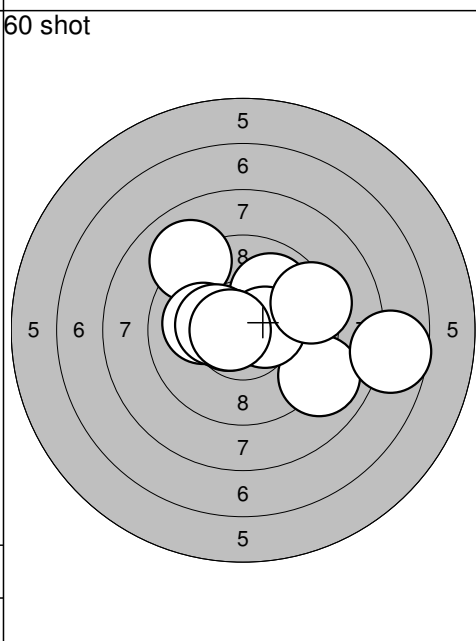
1: 9,7	↓
2: 10,3*	↗
3: 10,6*	←
4: 7,2	↑
5: 10,3*	↘
6: 8,4	↗
7: 9,9	↑
8: 10,6*	↑
9: 10,2*	↓
10: 9,5	↗
Serie 92,0	
Totalt 92,0	



11: 10,8*	↓
12: 10,9*	↑
13: 9,3	↑
14: 10,4*	↖
15: 10,4*	↓
16: 8,5	↘
17: 9,2	→
18: 10,1	↑
19: 10,1	↑
20: 9,4	↖
Serie 95,0	
Totalt 187,0	



21: 10,1	↑
22: 10,2*	←
23: 9,7	→
24: 9,8	↓
25: 8,8	←
26: 9,1	↑
27: 10,1	←
28: 10,0	→
29: 10,6*	←
30: 9,9	←
Serie 94,0	
Totalt 281,0	



31: 9,0	↘
32: 10,0	↗
33: 9,1	↖
34: 10,5*	→
35: 10,1	←
36: 10,6*	←
37: 10,4*	←
38: 10,7*	←
39: 9,3	→
40: 7,7	→
Serie 94,0	
Totalt 375,0	

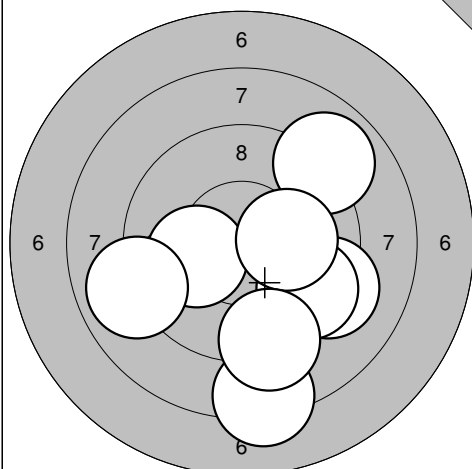
Drängsmark

2011-04-09

UME-Kulan 2011

Umeå skytteallians

Sight

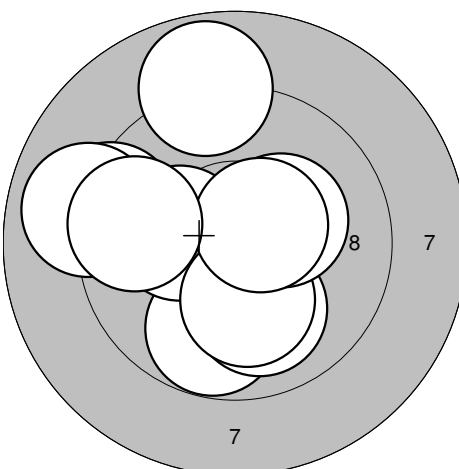


1: 10,1 ←  
 2: 9,2 →  
 3: 8,2 ↓  
 4: 9,5 →  
 5: 8,9 ←  
 6: 8,9 ↗  
 7: 10,1 →  
 8: 9,2 ↓

Serie 71,0

Totalt 0,0

60 shot

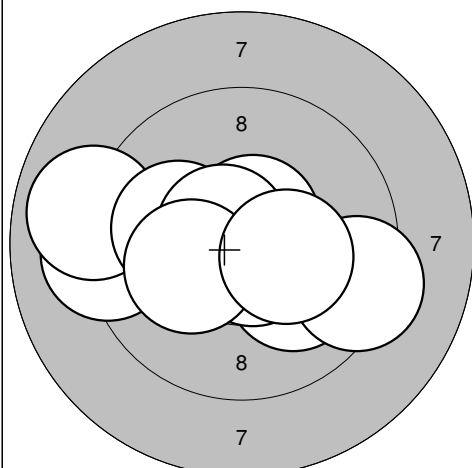


1: 9,8 ↓  
 2: 9,2 ←  
 3: 10,2\* ←  
 4: 10,0 ↓  
 5: 10,2\* ↓  
 6: 9,0 ←  
 7: 10,3\* ↗  
 8: 10,5\* ↗  
 9: 8,9 ↑  
 10: 9,6 ←

Serie 94,0

Totalt 94,0

60 shot

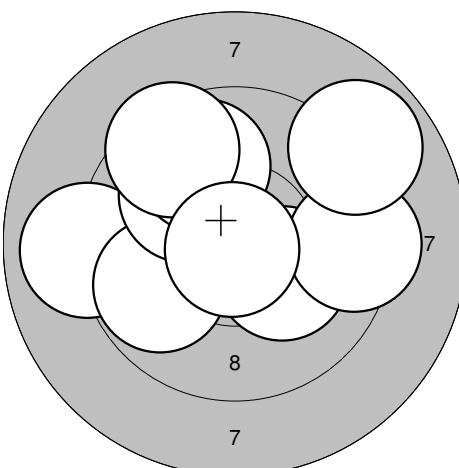


11: 9,2 ←  
 12: 10,6\* ↗  
 13: 10,1 ↓  
 14: 9,3 →  
 15: 8,9 ←  
 16: 10,7\* ↓  
 17: 10,1 ←  
 18: 10,7\* ↗  
 19: 10,2\* ←  
 20: 10,3\* →

Serie 96,0

Totalt 190,0

60 shot

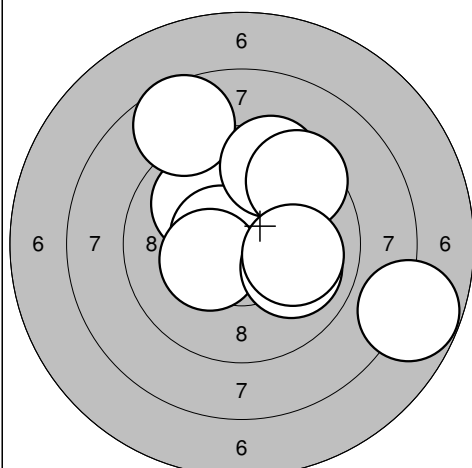


21: 10,0 ←  
 22: 9,0 ←  
 23: 9,8 ←  
 24: 10,0 ↗  
 25: 10,2\* ↓  
 26: 9,8 ↗  
 27: 9,4 →  
 28: 9,4 ↗  
 29: 8,9 ↗  
 30: 10,9\* ↓

Serie 93,0

Totalt 283,0

60 shot



31: 10,6\* ←  
 32: 10,0 ↗  
 33: 7,8 →  
 34: 10,6\* ↗  
 35: 8,6 ↗  
 36: 10,3\* ←  
 37: 9,5 ↗  
 38: 10,0 →  
 39: 9,5 ↗  
 40: 10,0 →

Serie 93,0

Totalt 376,0

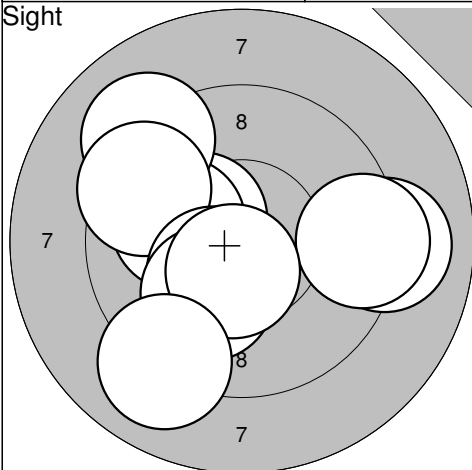
Ramselefors

2011-04-09

UME-Kulan 2011

Umeå skytteallians

Sight

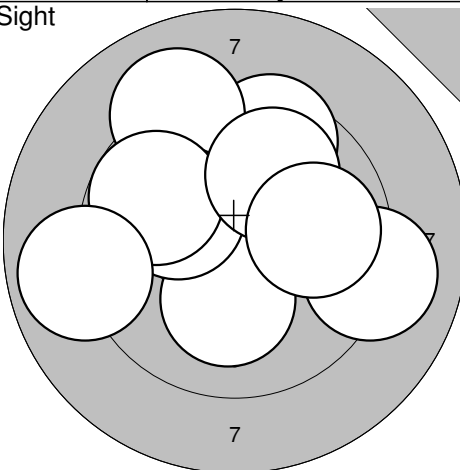


1: 10,3\* ↖  
 2: 10,1 ←  
 3: 9,0 →  
 4: 9,1 ↗  
 5: 9,5 ↗  
 6: 10,4\* ↘  
 7: 9,3 →  
 8: 10,1 ↘  
 9: 10,5\* ↘  
 10: 9,0 ↘

Serie 95,0

Totalt 0,0

Sight

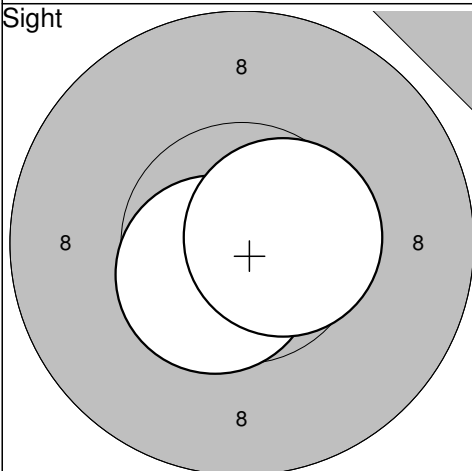


11: 10,3\* →  
 12: 10,2\* ↓  
 13: 9,5 ↑  
 14: 9,1 ↑  
 15: 10,1 ↗  
 16: 9,1 →  
 17: 9,8 ↗  
 18: 8,9 ←  
 19: 9,9 ↗  
 20: 9,9 →

Serie 92,0

Totalt 0,0

Sight

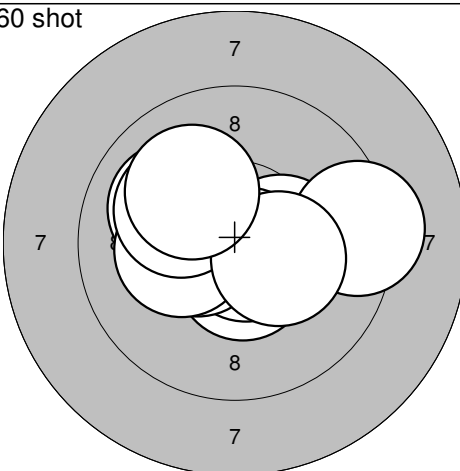


21: 10,6\* ↘  
 22: 10,6\* →

Serie 20,0

Totalt 0,0

60 shot

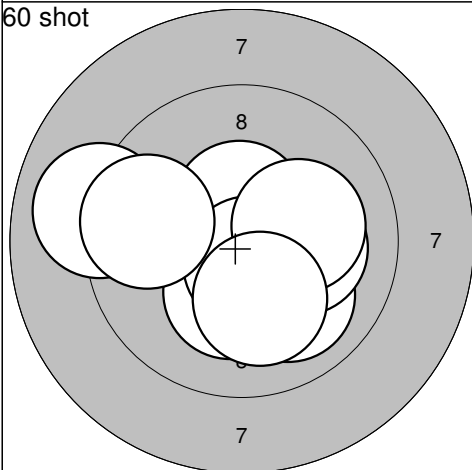


1: 10,5\* ↓  
 2: 10,3\* →  
 3: 10,7\* ↓  
 4: 10,0 ↗  
 5: 10,5\* ←  
 6: 10,2\* ←  
 7: 10,1 ↗  
 8: 9,3 →  
 9: 10,3\* ↘  
 10: 10,1 ↗

Serie 99,0

Totalt 99,0

60 shot

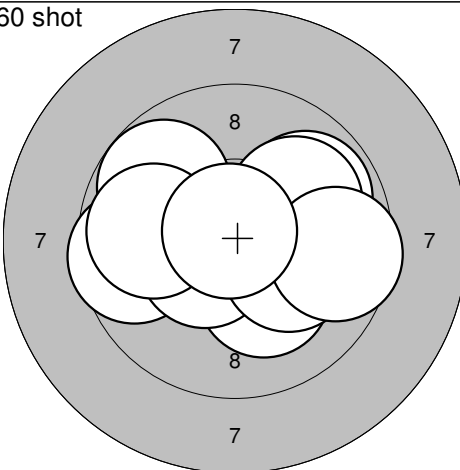


11: 9,0 ←  
 12: 10,7\* ↗  
 13: 10,2\* ↓  
 14: 10,5\* ↑  
 15: 10,6\* ↓  
 16: 10,0 ↘  
 17: 9,7 ←  
 18: 10,1 →  
 19: 10,2\* →  
 20: 10,1 ↓

Serie 98,0

Totalt 197,0

60 shot

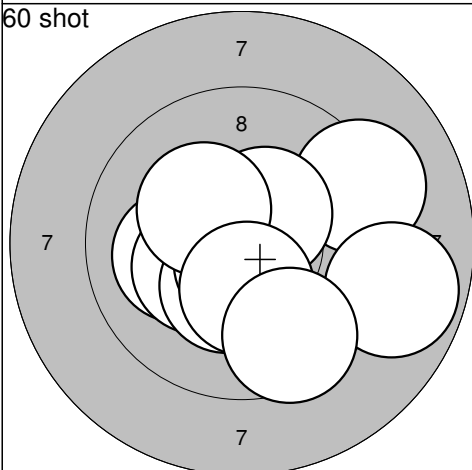


21: 9,6 ←  
 22: 10,2\* ↓  
 23: 9,9 →  
 24: 9,8 ↗  
 25: 10,5\* ↓  
 26: 9,9 ←  
 27: 10,2\* ↘  
 28: 10,0 ↗  
 29: 9,6 →  
 30: 10,8\* ↗

Serie 95,0

Totalt 292,0

60 shot



31: 10,1 ←  
 32: 9,2 →  
 33: 10,3\* ←  
 34: 10,4\* ↓  
 35: 10,7\* ↓  
 36: 10,4\* ↗  
 37: 10,3\* ↗  
 38: 8,9 →  
 39: 10,3\* ↓  
 40: 9,6 ↓

Serie 96,0

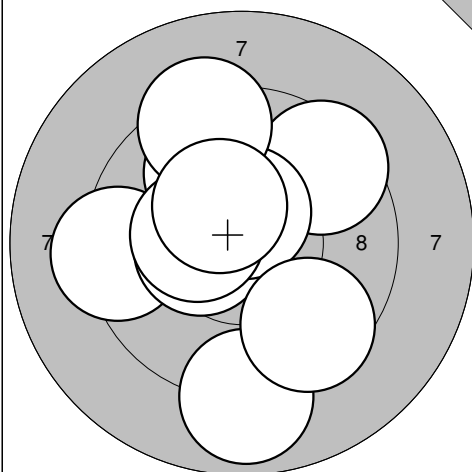
Totalt 388,0

2011-04-09

UME-Kulan 2011

Umeå skytteallians

Sight

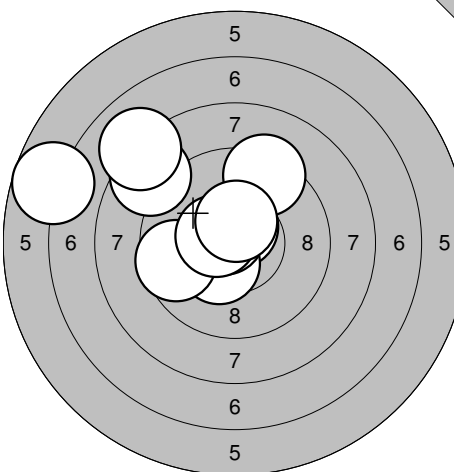


1: 9,3 ←  
 2: 9,9 ↑  
 3: 10,4\* ←  
 4: 9,5 ↗  
 5: 10,5\* ↑  
 6: 8,9 ↓  
 7: 9,3 ↑  
 8: 9,5 ↓  
 9: 10,4\* ←  
 10: 10,4\* ↑

Serie 93,0

Totalt 0,0

Sight

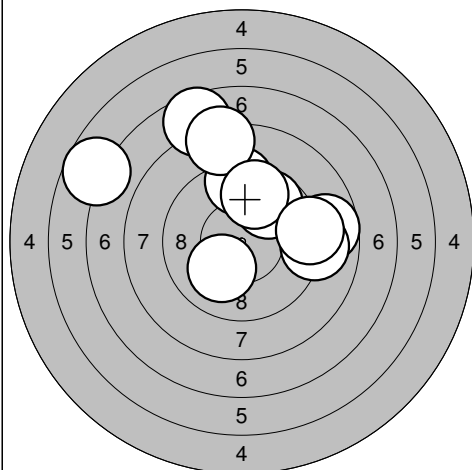


11: 10,6\* ↑  
 12: 10,4\* ↓  
 13: 9,3 ↑  
 14: 8,6 ↖  
 15: 9,6 ←  
 16: 10,7\* ↗  
 17: 6,8 ←  
 18: 10,5\* ←  
 19: 10,5\* ↑  
 20: 8,0 ↖

Serie 90,0

Totalt 0,0

60 shot

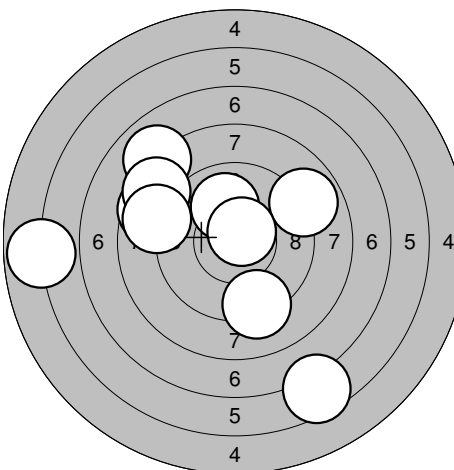


1: 9,7 ↗  
 2: 8,7 →  
 3: 9,4 ↑  
 4: 7,6 ↑  
 5: 8,2 ↑  
 6: 9,0 →  
 7: 10,1 ↓  
 8: 9,7 ↑  
 9: 9,1 →  
 10: 6,7 ↖

Serie 84,0

Totalt 84,0

60 shot

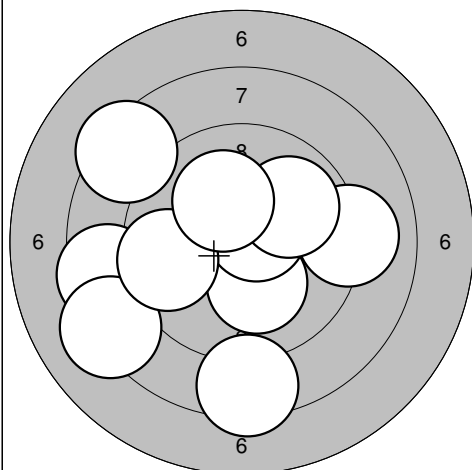


11: 6,5 ↓  
 12: 8,0 ↗  
 13: 5,9 ←  
 14: 8,6 ↖  
 15: 8,5 ↗  
 16: 9,2 ↓  
 17: 8,8 ←  
 18: 10,0 ↑  
 19: 8,9 ↗  
 20: 10,6\* ↗

Serie 80,0

Totalt 164,0

60 shot

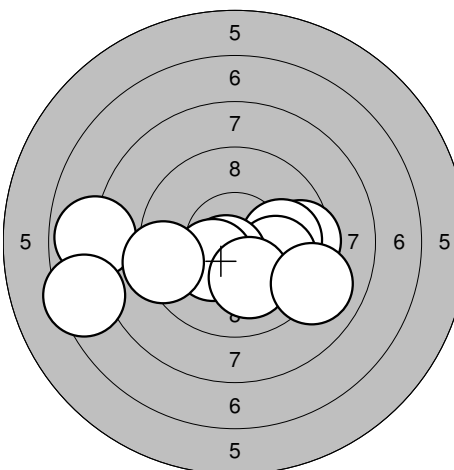


21: 8,4 ↖  
 22: 10,2\* ↓  
 23: 8,5 ←  
 24: 10,6\* ↗  
 25: 8,4 ↓  
 26: 8,2 ↖  
 27: 9,1 →  
 28: 9,9 ↗  
 29: 9,6 ←  
 30: 10,2\* ↑

Serie 89,0

Totalt 253,0

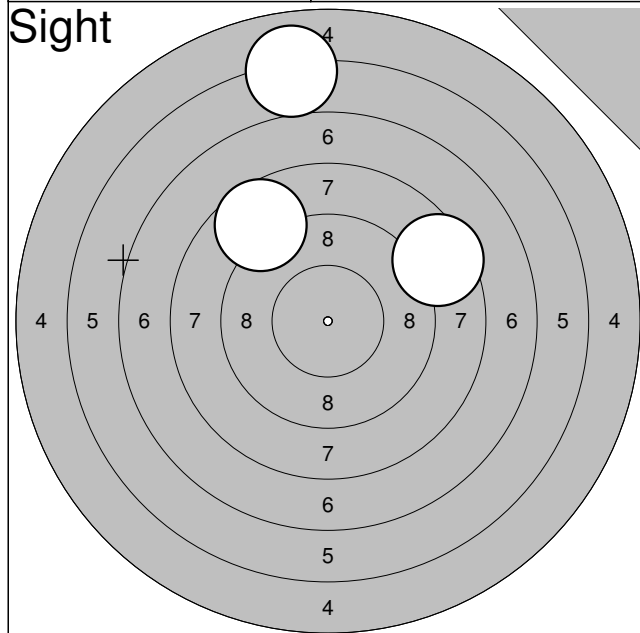
60 shot



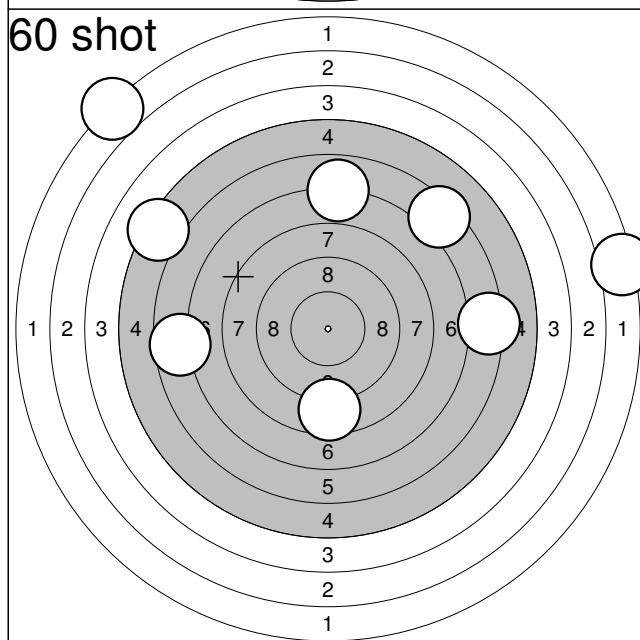
31: 9,5 →  
 32: 9,9 →  
 33: 10,0 →  
 34: 10,6\* ↓  
 35: 10,3\* ↖  
 36: 10,1 ↓  
 37: 9,0 ↖  
 38: 7,9 ←  
 39: 7,4 ←  
 40: 9,3 ←

Serie 90,0

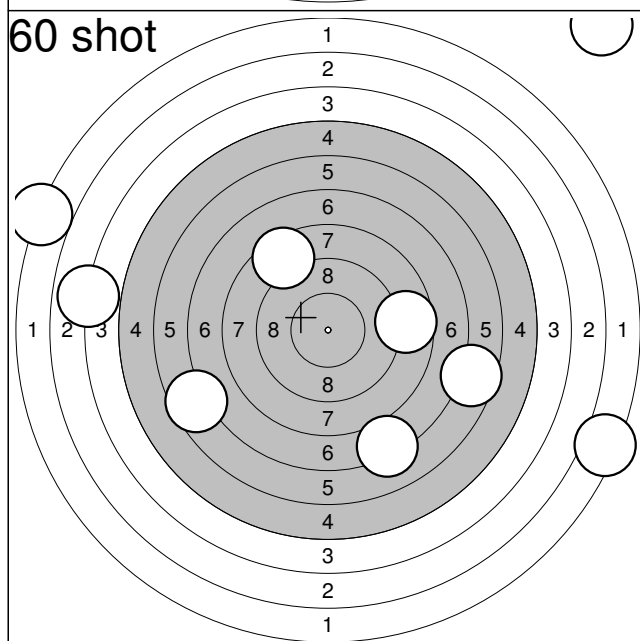
Totalt 343,0



	1:	0,0	←
	2:	0,0	←
	3:	8,5	→
	4:	8,7	↗
	5:	6,0	↑
<b>Serie</b>			<b>22,0</b>
<b>Totalt</b>			<b>0,0</b>

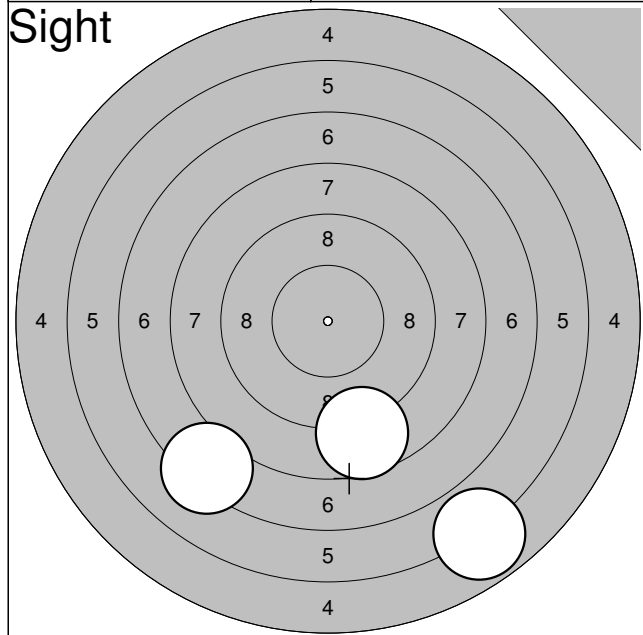


	1:	8,6	↓
	2:	5,2	↗
	3:	2,0	↗
	4:	6,6	←
	5:	6,4	↗
	6:	0,0	←
	7:	6,9	↑
	8:	0,0	↖
	9:	2,2	→
	10:	6,2	→
<b>Serie</b>			<b>41,0</b>
<b>Totalt</b>			<b>41,0</b>

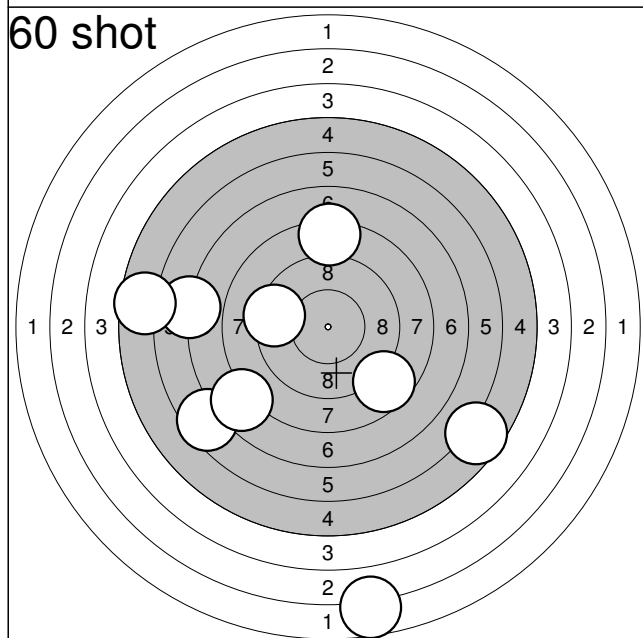


	11:	8,7	→
	12:	7,1	↓
	13:	0,0	←
	14:	6,6	→
	15:	3,9	←
	16:	2,0	↖
	17:	6,6	↖
	18:	0,0	↗
	19:	8,5	↗
	20:	2,2	→
<b>Serie</b>			<b>42,0</b>
<b>Totalt</b>			<b>83,0</b>

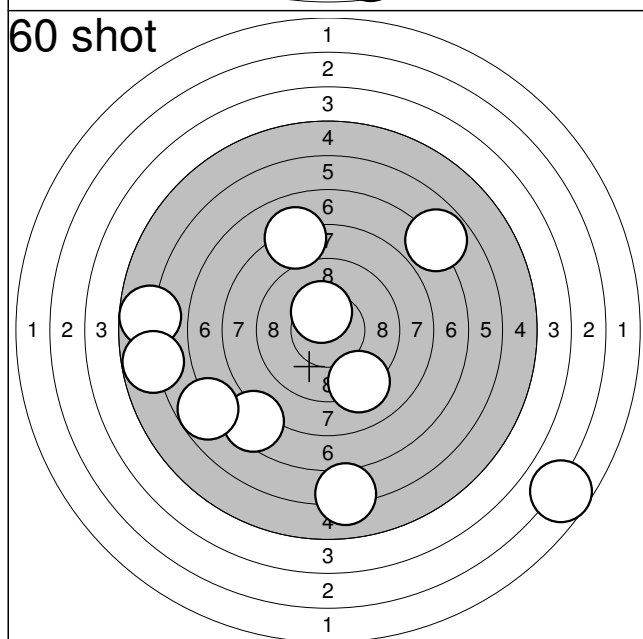




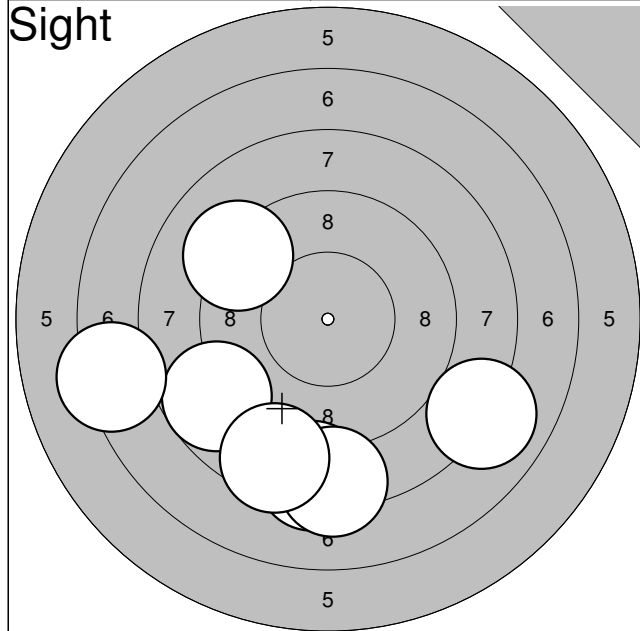
1:	7,2	↘
2:	5,8	↘
3:	8,7	↘
<b>Serie</b>	<b>20,0</b>	
<b>Totalt</b>	<b>0,0</b>	



1:	6,5	↘
2:	6,9	←
3:	0,0	→
4:	8,3	↑
5:	8,6	↘
6:	5,6	↘
7:	9,4	←
8:	7,7	↘
9:	2,7	↓
10:	5,6	←
<b>Serie</b>	<b>56,0</b>	
<b>Totalt</b>	<b>56,0</b>	

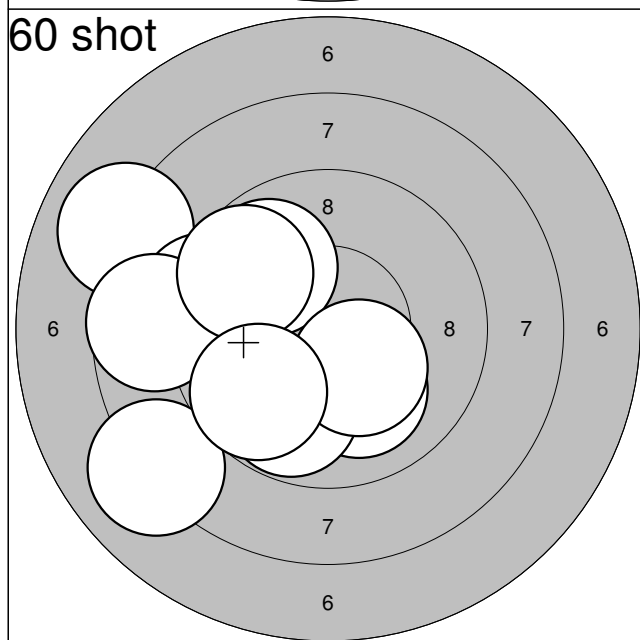


11:	10,4*	↑
12:	8,1	↑
13:	2,7	↘
14:	6,1	↓
15:	7,5	↘
16:	5,8	←
17:	5,8	←
18:	9,2	↘
19:	6,9	↗
20:	6,8	↘
<b>Serie</b>	<b>64,0</b>	
<b>Totalt</b>	<b>120,0</b>	



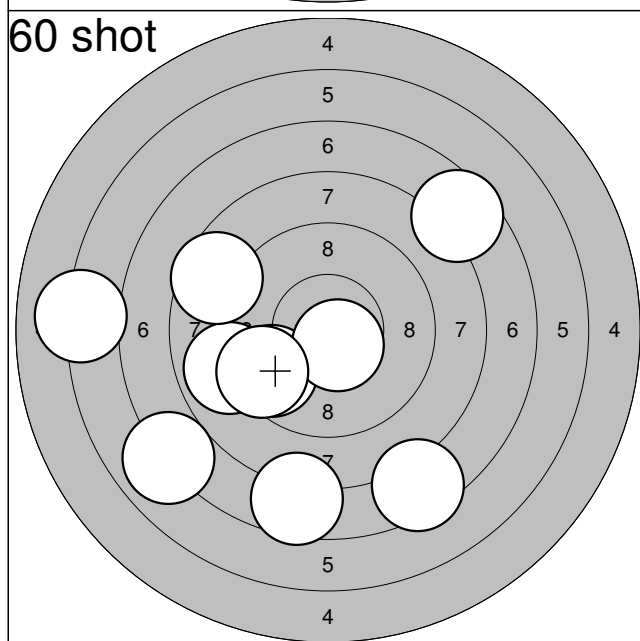
1:	8,7	↘
2:	7,3	←
3:	9,2	↗
4:	8,0	↘
5:	8,4	↓
6:	8,3	↓
7:	8,5	↓

<b>Serie</b>	<b>56,0</b>
<b>Totalt</b>	<b>0,0</b>



1:	10,0	↓
2:	9,8	↗
3:	8,0	↗
4:	9,8	↓
5:	9,3	←
6:	8,1	↘
7:	8,7	←
8:	10,3*	↓
9:	9,6	↗
10:	9,7	↘

<b>Serie</b>	<b>89,0</b>
<b>Totalt</b>	<b>89,0</b>



11:	7,6	↓
12:	7,0	↘
13:	9,6	↘
14:	8,9	←
15:	7,6	↗
16:	10,6*	↓
17:	6,1	←
18:	7,4	↓
19:	9,4	↘
20:	8,6	←

<b>Serie</b>	<b>78,0</b>
<b>Totalt</b>	<b>167,0</b>

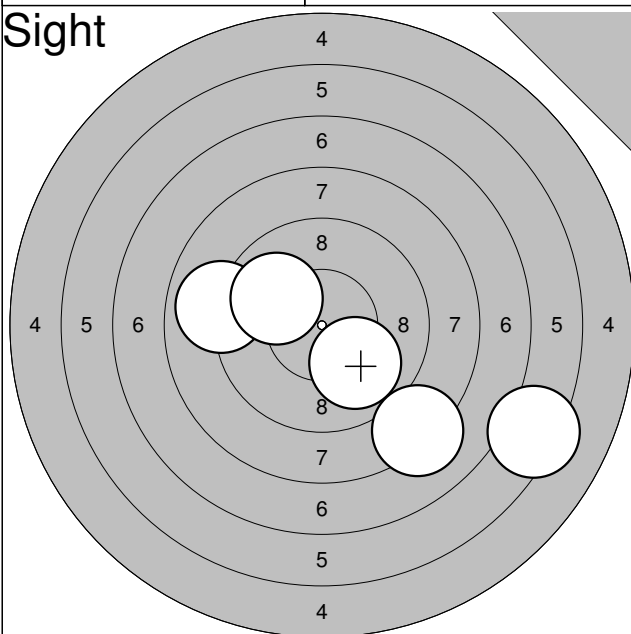
Bastuträsk

2011-04-09

UME-Kulan 2011

Umeå skytteallians

Sight



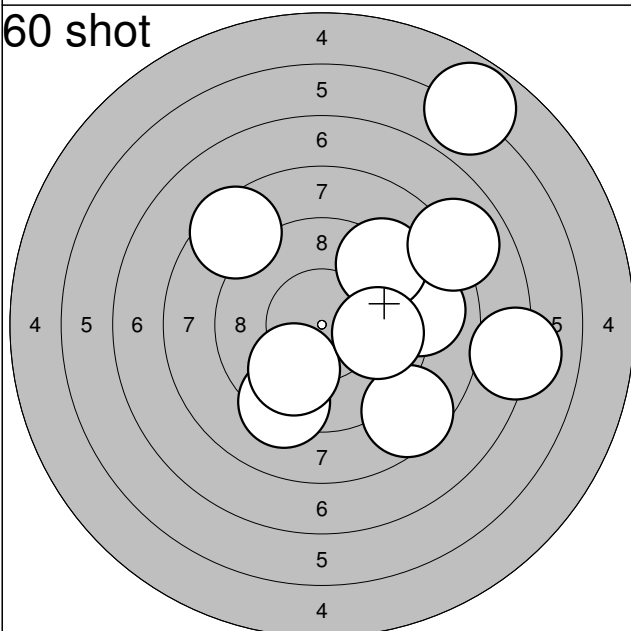
1: 9,0  
2: 10,0  
3: 8,2  
4: 6,3  
5: 9,9



Serie 42,0

Totalt 0,0

60 shot



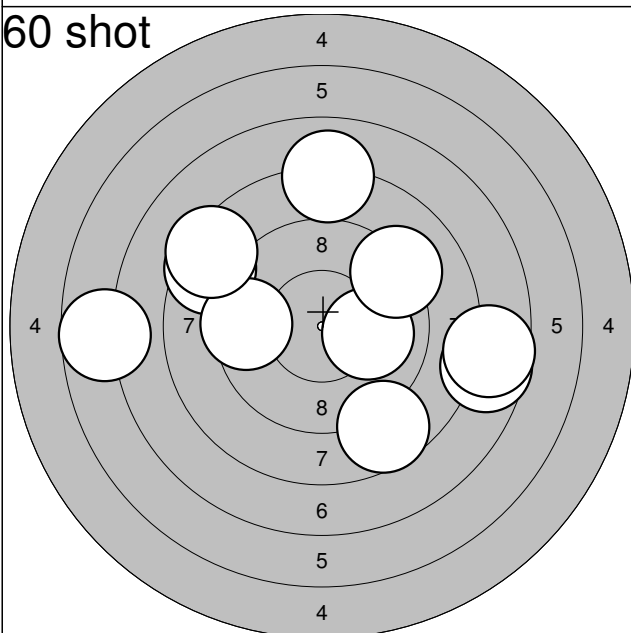
1: 9,3  
2: 8,5  
3: 8,6  
4: 9,0  
5: 9,9  
6: 9,3  
7: 7,1  
8: 9,8  
9: 7,9  
10: 5,8



Serie 80,0

Totalt 80,0

60 shot



11: 7,6  
12: 10,0  
13: 7,6  
14: 8,5  
15: 8,0  
16: 9,2  
17: 8,6  
18: 9,5  
19: 8,4  
20: 6,7



Serie 80,0

Totalt 160,0

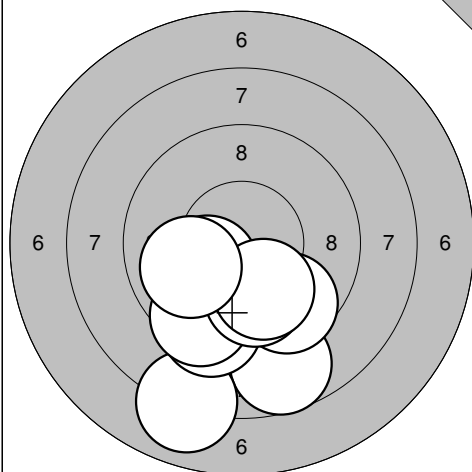
Ramselefors

2011-04-09

UME-Kulan 2011

Umeå skytteallians

Sight

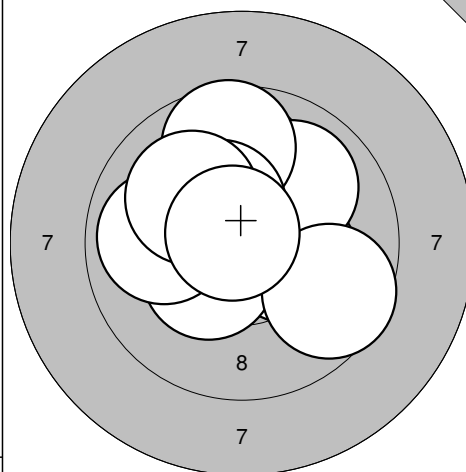


1: 8,7 ↘  
 2: 10,2\* ↙  
 3: 9,6 ↘  
 4: 8,0 ↘  
 5: 10,0 ↘  
 6: 9,4 ↘  
 7: 9,5 ↘  
 8: 10,0 ↘  
 9: 10,0 ↘  
 10: 10,0 ↙

Serie 95,4

Totalt 0,0

Sight

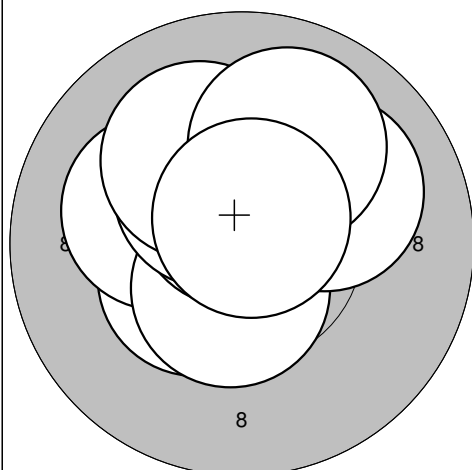


11: 10,3\* →  
 12: 10,0 ↑  
 13: 10,4\* ↙  
 14: 10,0 ↗  
 15: 9,7 ↑  
 16: 9,6 ↘  
 17: 9,9 ←  
 18: 10,4\* ↗  
 19: 10,1 ↗  
 20: 10,8\* ↗

Serie 101,2

Totalt 0,0

60 shot

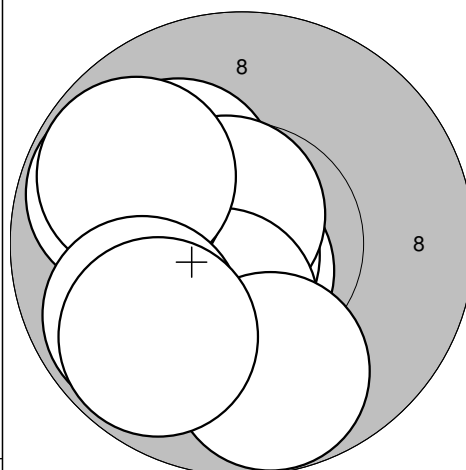


1: 10,8\* ↙  
 2: 10,4\* ↙  
 3: 10,2\* ↙  
 4: 10,5\* ↘  
 5: 10,6\* ↑  
 6: 10,4\* ↑  
 7: 10,1 ↑  
 8: 10,1 ↗  
 9: 10,0 ↑  
 10: 10,7\* ↑

Serie 103,8

Totalt 103,8

60 shot

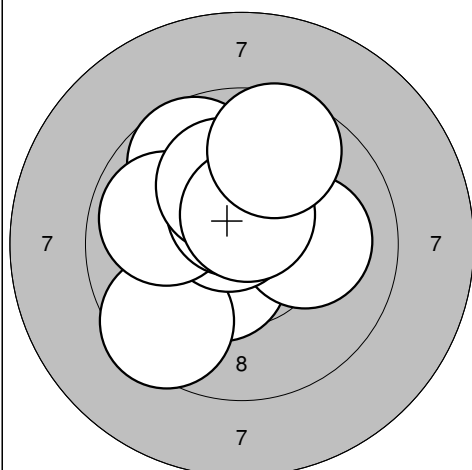


11: 10,1 ↗  
 12: 10,7\* ↘  
 13: 10,7\* ↙  
 14: 10,7\* ↗  
 15: 10,3\* ↘  
 16: 9,8 ←  
 17: 9,8 ↗  
 18: 9,8 ↙  
 19: 9,8 ↘  
 20: 9,8 ↙

Serie 101,5

Totalt 205,3

60 shot

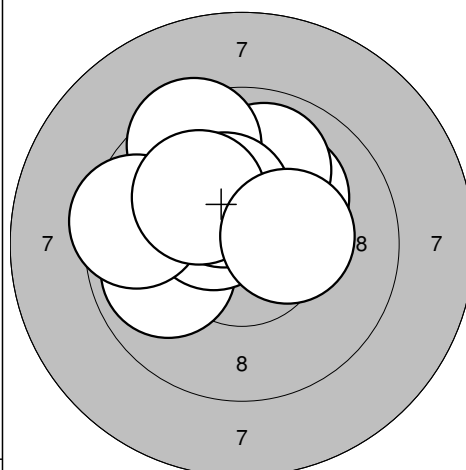


21: 10,5\* ↘  
 22: 9,5 ↘  
 23: 10,1 →  
 24: 9,7 ↗  
 25: 10,6\* ↗  
 26: 9,9 ←  
 27: 10,5\* ↗  
 28: 10,1 ↗  
 29: 10,6\* ↗  
 30: 9,6 ↗

Serie 101,1

Totalt 306,4

60 shot



31: 9,9 ←  
 32: 10,5\* ↗  
 33: 10,1 ↗  
 34: 10,0 ↑  
 35: 9,9 ↑  
 36: 9,5 ↗  
 37: 9,5 ←  
 38: 10,3\* ↗  
 39: 10,1 ↗  
 40: 10,3\* →

Serie 100,1

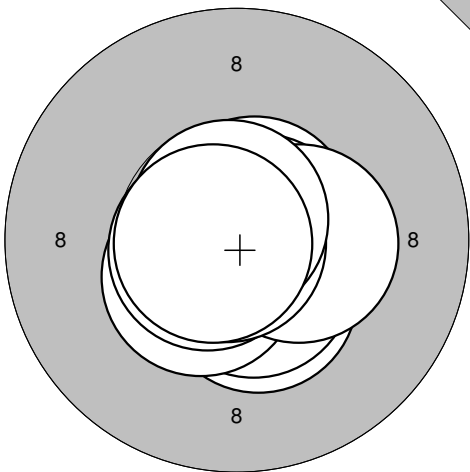
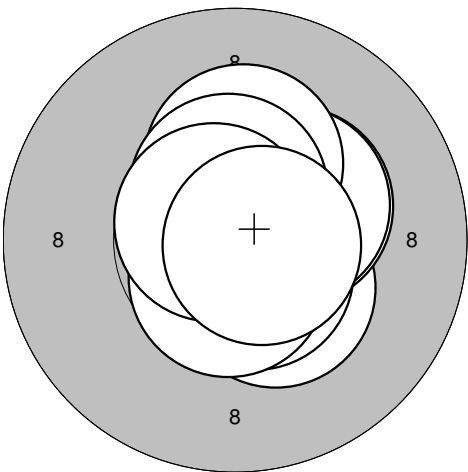
Totalt 406,5

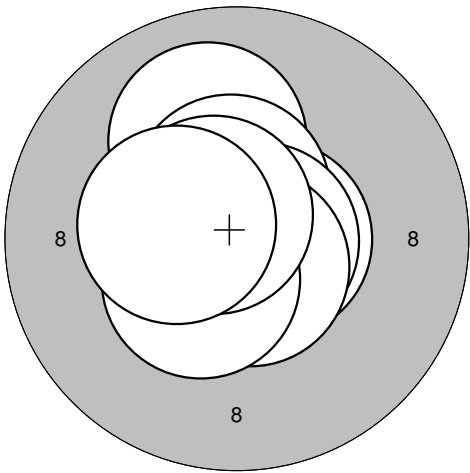
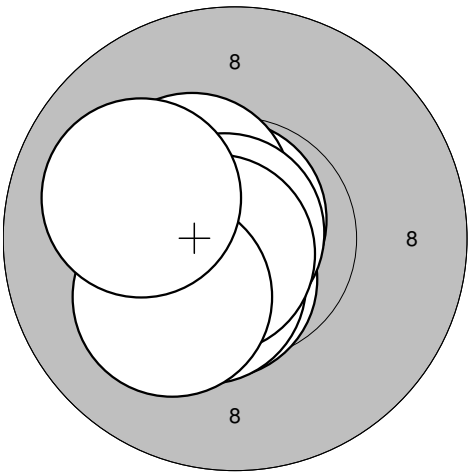
I 19

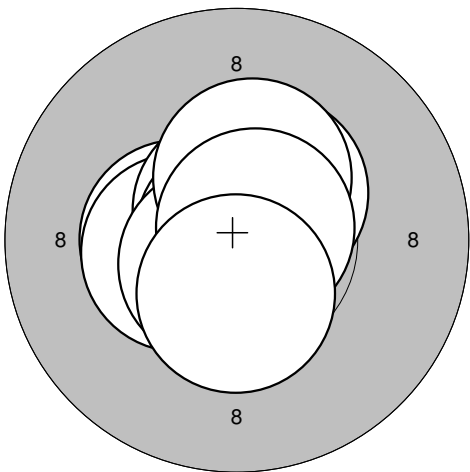
2011-04-09

UME-Kulan 2011

Umeå skytteallians

<p>Sight</p> 	<p>60 shot</p> <table style="width: 100%;"> <tr><td>1: 10,7*</td><td>↗</td></tr> <tr><td>2: 10,7*</td><td>→</td></tr> <tr><td>3: 10,4*</td><td>↘</td></tr> <tr><td>4: 10,6*</td><td>↘</td></tr> <tr><td>5: 10,5*</td><td>↙</td></tr> <tr><td>6: 10,7*</td><td>←</td></tr> <tr><td>7: 10,4*</td><td>→</td></tr> <tr><td>8: 10,9*</td><td>←</td></tr> <tr><td>9: 10,8*</td><td>↑</td></tr> <tr><td>10: 10,7*</td><td>←</td></tr> </table>	1: 10,7*	↗	2: 10,7*	→	3: 10,4*	↘	4: 10,6*	↘	5: 10,5*	↙	6: 10,7*	←	7: 10,4*	→	8: 10,9*	←	9: 10,8*	↑	10: 10,7*	←	 <table style="width: 100%;"> <tr><td>1: 10,4*</td><td>↘</td></tr> <tr><td>2: 10,3*</td><td>↗</td></tr> <tr><td>3: 10,6*</td><td>↗</td></tr> <tr><td>4: 10,4*</td><td>↗</td></tr> <tr><td>5: 10,3*</td><td>↑</td></tr> <tr><td>6: 10,6*</td><td>↘</td></tr> <tr><td>7: 10,5*</td><td>↑</td></tr> <tr><td>8: 10,6*</td><td>↘</td></tr> <tr><td>9: 10,7*</td><td>↖</td></tr> <tr><td>10: 10,7*</td><td>→</td></tr> </table>	1: 10,4*	↘	2: 10,3*	↗	3: 10,6*	↗	4: 10,4*	↗	5: 10,3*	↑	6: 10,6*	↘	7: 10,5*	↑	8: 10,6*	↘	9: 10,7*	↖	10: 10,7*	→
1: 10,7*	↗																																									
2: 10,7*	→																																									
3: 10,4*	↘																																									
4: 10,6*	↘																																									
5: 10,5*	↙																																									
6: 10,7*	←																																									
7: 10,4*	→																																									
8: 10,9*	←																																									
9: 10,8*	↑																																									
10: 10,7*	←																																									
1: 10,4*	↘																																									
2: 10,3*	↗																																									
3: 10,6*	↗																																									
4: 10,4*	↗																																									
5: 10,3*	↑																																									
6: 10,6*	↘																																									
7: 10,5*	↑																																									
8: 10,6*	↘																																									
9: 10,7*	↖																																									
10: 10,7*	→																																									
	Serie 106,4	Serie 105,1																																								
	Totalt 0,0	Totalt 105,1																																								

<p>60 shot</p> 	<p>60 shot</p> <table style="width: 100%;"> <tr><td>11: 10,7*</td><td>→</td></tr> <tr><td>12: 10,6*</td><td>→</td></tr> <tr><td>13: 10,6*</td><td>←</td></tr> <tr><td>14: 10,0</td><td>↑</td></tr> <tr><td>15: 10,5*</td><td>↑</td></tr> <tr><td>16: 10,7*</td><td>→</td></tr> <tr><td>17: 10,7*</td><td>↘</td></tr> <tr><td>18: 10,5*</td><td>↙</td></tr> <tr><td>19: 10,7*</td><td>↗</td></tr> <tr><td>20: 10,4*</td><td>←</td></tr> </table>	11: 10,7*	→	12: 10,6*	→	13: 10,6*	←	14: 10,0	↑	15: 10,5*	↑	16: 10,7*	→	17: 10,7*	↘	18: 10,5*	↙	19: 10,7*	↗	20: 10,4*	←	 <table style="width: 100%;"> <tr><td>21: 10,1</td><td>↖</td></tr> <tr><td>22: 10,6*</td><td>↘</td></tr> <tr><td>23: 10,5*</td><td>↖</td></tr> <tr><td>24: 10,5*</td><td>↘</td></tr> <tr><td>25: 10,8*</td><td>↑</td></tr> <tr><td>26: 10,4*</td><td>↗</td></tr> <tr><td>27: 10,8*</td><td>↖</td></tr> <tr><td>28: 10,7*</td><td>↙</td></tr> <tr><td>29: 10,2*</td><td>↙</td></tr> <tr><td>30: 10,0</td><td>↖</td></tr> </table>	21: 10,1	↖	22: 10,6*	↘	23: 10,5*	↖	24: 10,5*	↘	25: 10,8*	↑	26: 10,4*	↗	27: 10,8*	↖	28: 10,7*	↙	29: 10,2*	↙	30: 10,0	↖
11: 10,7*	→																																									
12: 10,6*	→																																									
13: 10,6*	←																																									
14: 10,0	↑																																									
15: 10,5*	↑																																									
16: 10,7*	→																																									
17: 10,7*	↘																																									
18: 10,5*	↙																																									
19: 10,7*	↗																																									
20: 10,4*	←																																									
21: 10,1	↖																																									
22: 10,6*	↘																																									
23: 10,5*	↖																																									
24: 10,5*	↘																																									
25: 10,8*	↑																																									
26: 10,4*	↗																																									
27: 10,8*	↖																																									
28: 10,7*	↙																																									
29: 10,2*	↙																																									
30: 10,0	↖																																									
	Serie 105,4	Serie 104,6																																								
	Totalt 210,5	Totalt 315,1																																								

<p>60 shot</p> 	<table style="width: 100%;"> <tr><td>31: 10,4*</td><td>←</td></tr> <tr><td>32: 10,4*</td><td>←</td></tr> <tr><td>33: 10,7*</td><td>↗</td></tr> <tr><td>34: 10,7*</td><td>↑</td></tr> <tr><td>35: 10,9*</td><td>↑</td></tr> <tr><td>36: 10,4*</td><td>↗</td></tr> <tr><td>37: 10,7*</td><td>↙</td></tr> <tr><td>38: 10,4*</td><td>↑</td></tr> <tr><td>39: 10,7*</td><td>↗</td></tr> <tr><td>40: 10,5*</td><td>↘</td></tr> </table>	31: 10,4*	←	32: 10,4*	←	33: 10,7*	↗	34: 10,7*	↑	35: 10,9*	↑	36: 10,4*	↗	37: 10,7*	↙	38: 10,4*	↑	39: 10,7*	↗	40: 10,5*	↘	
31: 10,4*	←																					
32: 10,4*	←																					
33: 10,7*	↗																					
34: 10,7*	↑																					
35: 10,9*	↑																					
36: 10,4*	↗																					
37: 10,7*	↙																					
38: 10,4*	↑																					
39: 10,7*	↗																					
40: 10,5*	↘																					
	Serie 105,8																					
	Totalt 420,9																					

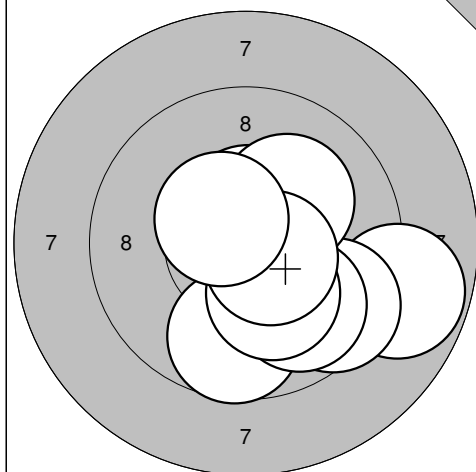
Kyrkås

2011-04-09

UME-Kulan 2011

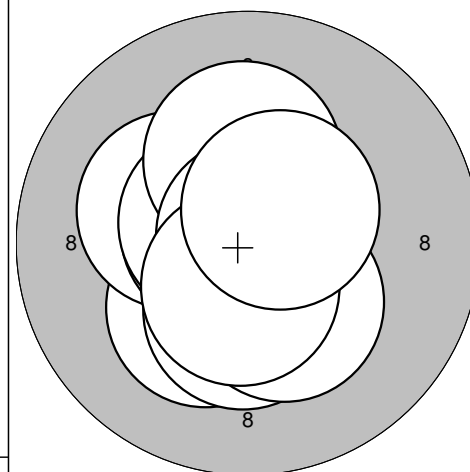
Umeå skytteallians

Sight



1: 8,8 ↘  
 2: 9,5 ↘  
 3: 10,5\* ↑  
 4: 9,7 ↓  
 5: 9,9 ↓  
 6: 10,2\* ↓  
 7: 10,2\* ↗  
 8: 10,6\* ↘  
 9: 10,5\* ↗

60 shot



1: 10,3\* ↘  
 2: 10,2\* ↖  
 3: 10,7\* ↖  
 4: 10,3\* ↓  
 5: 10,6\* ↖  
 6: 10,2\* ↑  
 7: 10,3\* ↓  
 8: 10,9\* ↗  
 9: 10,5\* ↓  
 10: 10,5\* ↗

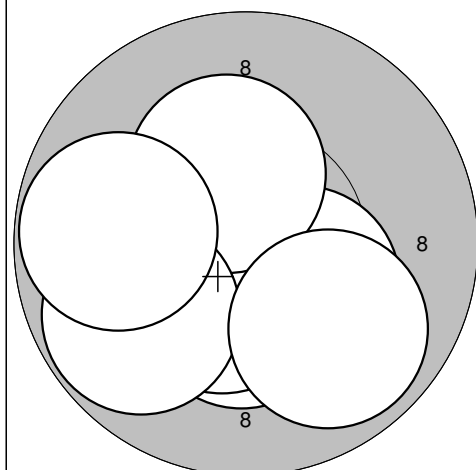
Serie 89,9

Totalt 0,0

Serie 104,5

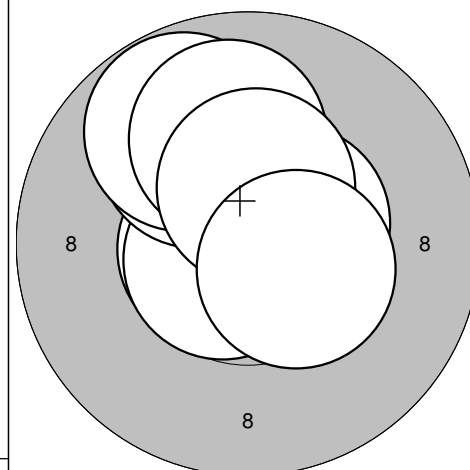
Totalt 104,5

60 shot



11: 10,4\* ↓  
 12: 10,5\* ↖  
 13: 10,4\* ↖  
 14: 10,4\* ↖  
 15: 10,3\* ↘  
 16: 10,4\* ↓  
 17: 10,3\* ↑  
 18: 9,8 ↖  
 19: 9,8 ←  
 20: 9,9 ↘

60 shot



21: 10,3\* ↑  
 22: 10,5\* ↗  
 23: 10,7\* ←  
 24: 10,7\* ↗  
 25: 10,7\* ↖  
 26: 10,0 ↗  
 27: 9,8 ↗  
 28: 10,0 ↑  
 29: 10,4\* ↑  
 30: 10,5\* ↘

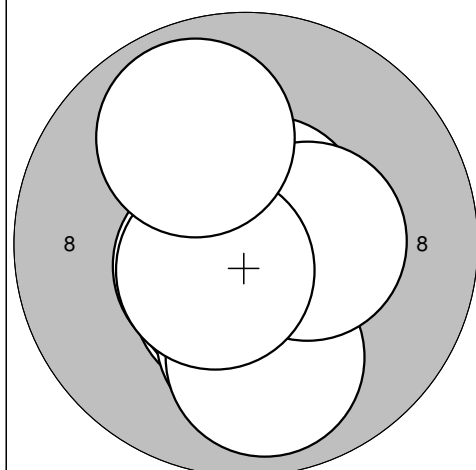
Serie 102,2

Totalt 206,7

Serie 103,6

Totalt 310,3

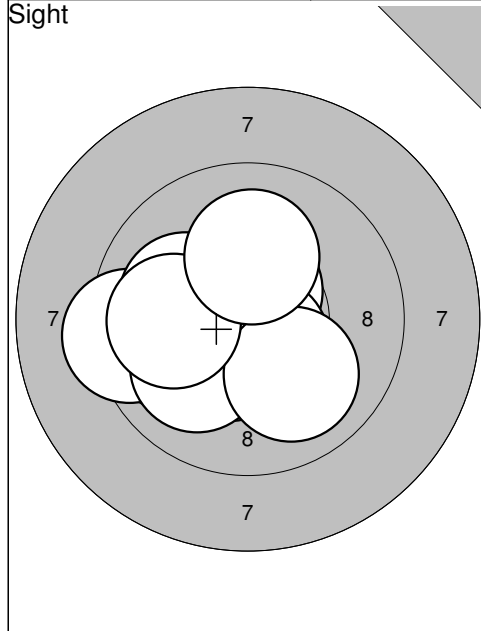
60 shot



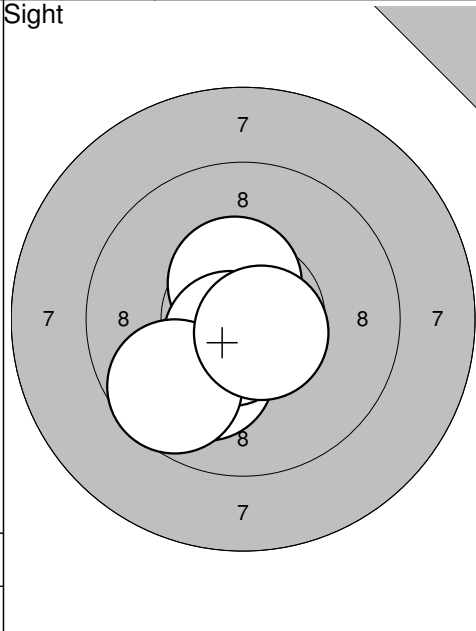
31: 10,5\* ↓  
 32: 10,5\* ↓  
 33: 10,1 ↓  
 34: 10,6\* ↗  
 35: 10,6\* ↖  
 36: 10,7\* ↓  
 37: 9,9 ↓  
 38: 10,4\* →  
 39: 10,6\* ↖  
 40: 9,9 ↗

Serie 103,8

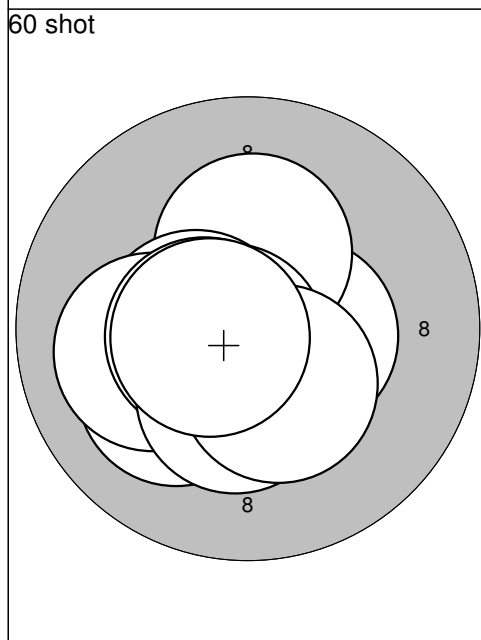
Totalt 414,1



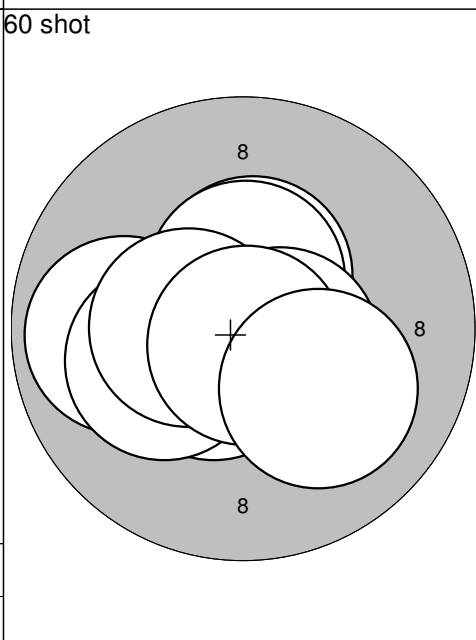
1: 10,6*	↑
2: 10,6*	↓
3: 9,9	←
4: 9,4	←
5: 10,1	←
6: 10,4*	↓
7: 10,0	↓
8: 10,0	↓
9: 10,0	←
10: 10,1	↑
Serie 101,1	
Totalt 0,0	



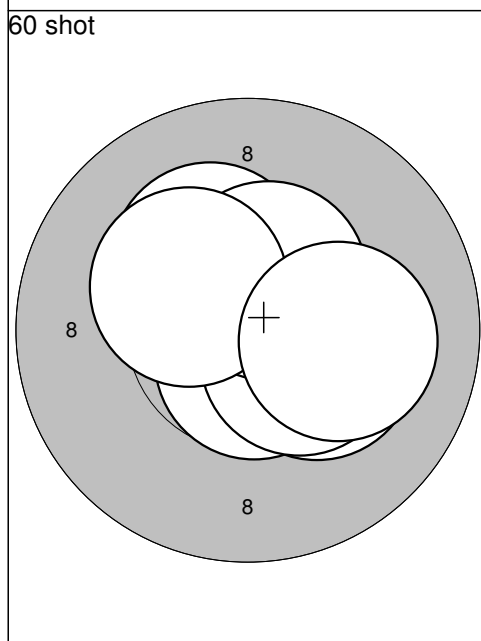
11: 10,5*	↑
12: 10,1	↓
13: 10,6*	↓
14: 9,7	↓
15: 10,6*	↓
Serie 51,5	
Totalt 0,0	



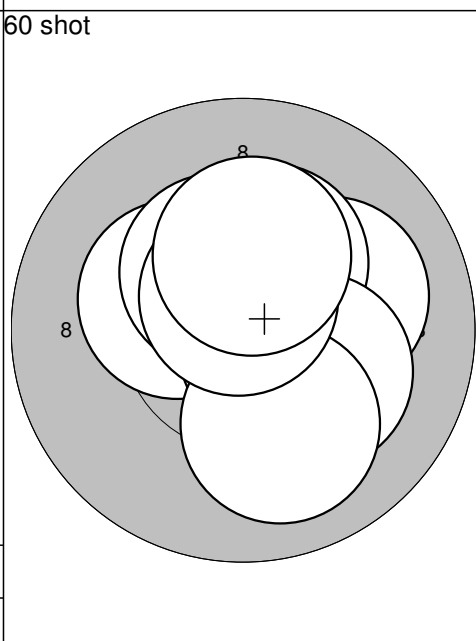
1: 10,1	←
2: 10,5*	→
3: 10,3*	↑
4: 10,5*	←
5: 10,1	←
6: 10,7*	↓
7: 10,6*	←
8: 10,3*	↓
9: 10,4*	↓
10: 10,6*	←
Serie 104,1	
Totalt 104,1	



11: 10,8*	→
12: 9,9	←
13: 10,6*	↓
14: 10,2*	←
15: 10,5*	↑
16: 10,5*	↑
17: 10,5*	←
18: 10,6*	→
19: 10,8*	↓
20: 10,1	↓
Serie 104,5	
Totalt 208,6	



21: 10,9*	→
22: 10,3*	↑
23: 10,7*	↑
24: 10,3*	→
25: 10,7*	↓
26: 10,6*	↑
27: 10,4*	→
28: 10,5*	↑
29: 10,3*	↑
30: 10,1	→
Serie 104,8	
Totalt 313,4	



31: 10,3*	←
32: 10,1	→
33: 10,6*	→
34: 10,3*	↑
35: 10,5*	→
36: 10,2*	→
37: 10,0	↓
38: 10,4*	↑
39: 10,6*	↑
40: 10,3*	↑
Serie 103,3	
Totalt 416,7	

Kyrkås

2011-04-09

UME-Kulan 2011

Umeå skytteallians

<p>Sight</p>	<p>Sight</p>	<p>Sight</p>
<p>1: 9,7 ↘ 2: 9,8 ← 3: 10,6* ↓ 4: 10,2* ↗ 5: 10,3* ↗ 6: 10,3* ↑ 7: 10,0 ↑ 8: 10,3* ← 9: 10,7* ← 10: 10,6* ↗</p>	<p>11: 10,4* → 12: 10,4* ← 13: 10,0 ↗ 14: 10,6* ↓ 15: 10,5* → 16: 10,4* ↑ 17: 10,4* → 18: 10,8* ↓ 19: 10,5* ↗ 20: 10,9* ↙</p>	<p>21: 10,7* ↗</p>
<p>Serie 102,5 Totalt 0,0</p>	<p>Serie 104,9 Totalt 0,0</p>	<p>Serie 10,7 Totalt 0,0</p>

<p>Sight</p>	<p>60 shot</p>	<p>60 shot</p>
<p>31: 10,3* ↓ 32: 10,0 ↓ 33: 10,6* ↑ 34: 10,6* → 35: 10,8* ↑ 36: 10,7* ↗ 37: 10,1 ↑ 38: 10,5* ← 39: 10,5* → 40: 10,5* →</p>	<p>1: 10,8* ↑ 2: 10,1 → 3: 10,5* ↑ 4: 10,4* ↗ 5: 10,9* → 6: 10,8* ↗ 7: 10,6* → 8: 10,8* ↓ 9: 10,4* ↗ 10: 10,4* →</p>	<p>11: 10,8* → 12: 10,6* ← 13: 10,7* → 14: 10,2* ↓ 15: 10,6* ↓ 16: 10,8* → 17: 10,5* ↓ 18: 10,5* ↗ 19: 10,5* ← 20: 10,8* ↓</p>
<p>Serie 104,6 Totalt 421,8</p>	<p>Serie 105,7 Totalt 105,7</p>	<p>Serie 106,0 Totalt 211,7</p>

<p>60 shot</p>	<p>60 shot</p>	<p>60 shot</p>
<p>21: 10,3* ↗ 22: 10,6* → 23: 10,4* ↓ 24: 10,4* ← 25: 10,3* → 26: 10,8* ↗ 27: 10,5* ↓ 28: 10,5* ↗ 29: 10,8* → 30: 10,9* ↗</p>	<p>31: 10,3* ↓ 32: 10,0 ↓ 33: 10,6* ↑ 34: 10,6* → 35: 10,8* ↑ 36: 10,7* ↗ 37: 10,1 ↑ 38: 10,5* ← 39: 10,5* → 40: 10,5* →</p>	<p>41: 10,3* ↓ 42: 10,0 ↓ 43: 10,6* ↑ 44: 10,6* → 45: 10,8* ↑ 46: 10,7* ↗ 47: 10,1 ↑ 48: 10,5* ← 49: 10,5* → 50: 10,5* →</p>
<p>Serie 105,5 Totalt 317,2</p>	<p>Serie 104,6 Totalt 421,8</p>	<p>Serie 106,0 Totalt 211,7</p>

<p>60 shot</p>	<p>60 shot</p>	<p>60 shot</p>
<p>51: 10,3* ↓ 52: 10,0 ↓ 53: 10,6* ↑ 54: 10,6* → 55: 10,8* ↑ 56: 10,7* ↗ 57: 10,1 ↑ 58: 10,5* ← 59: 10,5* → 60: 10,5* →</p>	<p>61: 10,3* ↓ 62: 10,0 ↓ 63: 10,6* ↑ 64: 10,6* → 65: 10,8* ↑ 66: 10,7* ↗ 67: 10,1 ↑ 68: 10,5* ← 69: 10,5* → 70: 10,5* →</p>	<p>71: 10,3* ↓ 72: 10,0 ↓ 73: 10,6* ↑ 74: 10,6* → 75: 10,8* ↑ 76: 10,7* ↗ 77: 10,1 ↑ 78: 10,5* ← 79: 10,5* → 80: 10,5* →</p>
<p>Serie 104,6 Totalt 421,8</p>	<p>Serie 104,6 Totalt 421,8</p>	<p>Serie 104,6 Totalt 421,8</p>

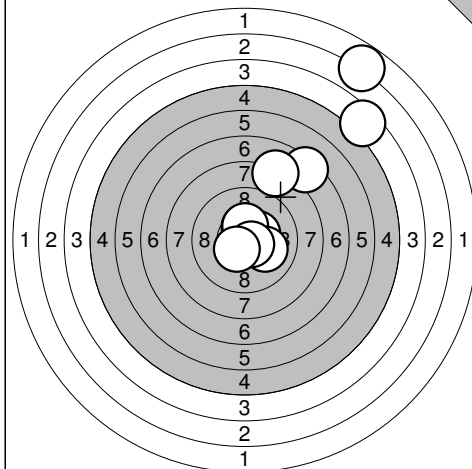


2011-04-09

UME-Kulan 2011

Umeå skytteallians

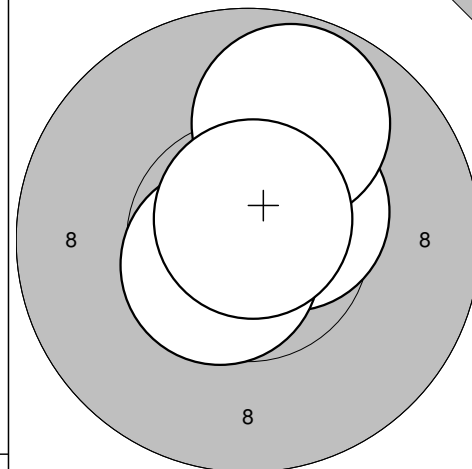
Sight



1: 2,8 ↗  
 2: 4,4 ↗  
 3: 7,3 ↗  
 4: 8,1 ↗  
 5: 10,4\* →  
 6: 10,4\* ↑  
 7: 10,4\* ↑  
 8: 10,1 →  
 9: 10,6\* →  
 10: 10,5\* ↘

Serie 85,0  
 Totalt 0,0

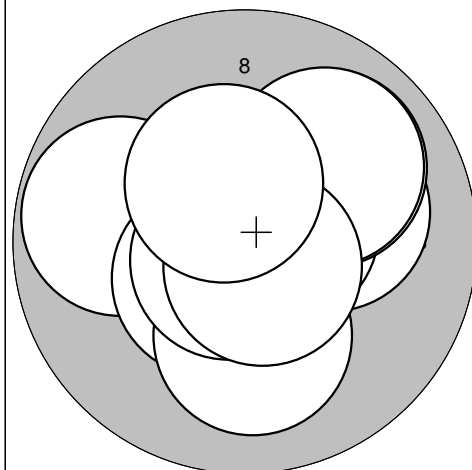
Sight



11: 10,5\* ↗  
 12: 10,6\* ↘  
 13: 9,8 ↗  
 14: 10,8\* ↗

Serie 41,7  
 Totalt 0,0

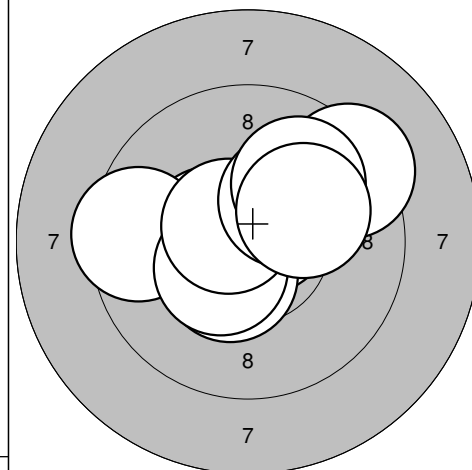
60 shot



1: 10,1 →  
 2: 9,8 ←  
 3: 10,6\* →  
 4: 9,9 ↗  
 5: 10,0 ↗  
 6: 10,5\* ↘  
 7: 10,1 ↓  
 8: 10,7\* ↘  
 9: 10,7\* ↘  
 10: 10,4\* ↗

Serie 102,8  
 Totalt 102,8

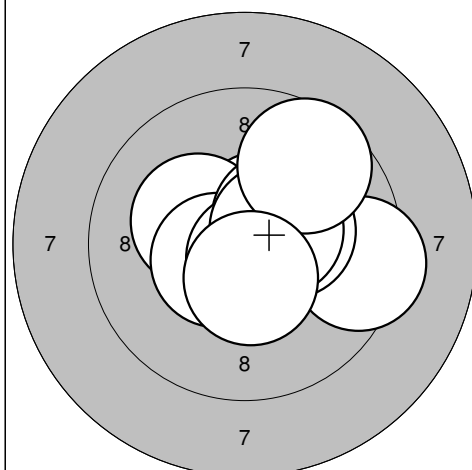
60 shot



11: 10,7\* ↗  
 12: 10,5\* ←  
 13: 9,3 ↗  
 14: 9,5 ←  
 15: 10,4\* ↘  
 16: 10,5\* ↘  
 17: 10,6\* ↗  
 18: 10,2\* ↗  
 19: 9,9 ↗  
 20: 10,1 →

Serie 101,7  
 Totalt 204,5

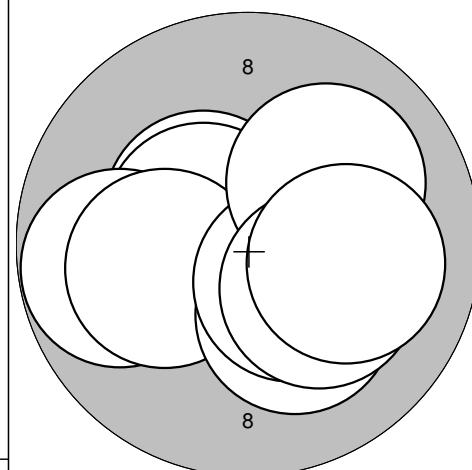
60 shot



21: 10,5\* ↗  
 22: 10,3\* ←  
 23: 9,4 →  
 24: 10,5\* ↘  
 25: 10,4\* ↗  
 26: 10,7\* ↘  
 27: 10,3\* →  
 28: 10,5\* →  
 29: 9,6 ↗  
 30: 10,5\* ↓

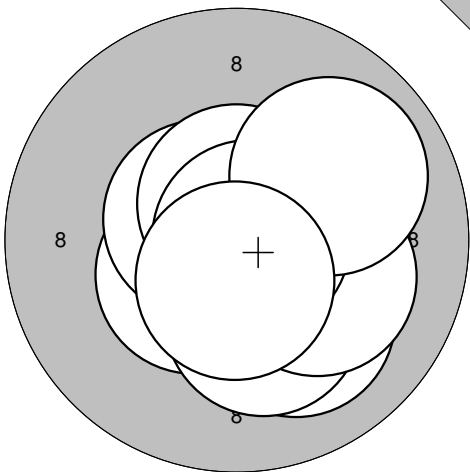
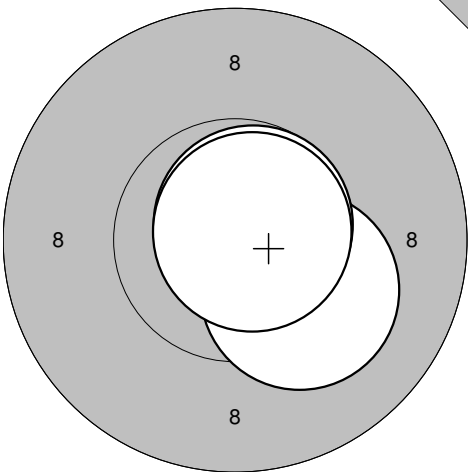
Serie 102,7  
 Totalt 307,2

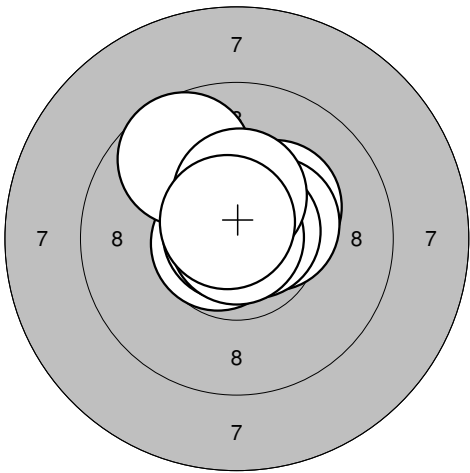
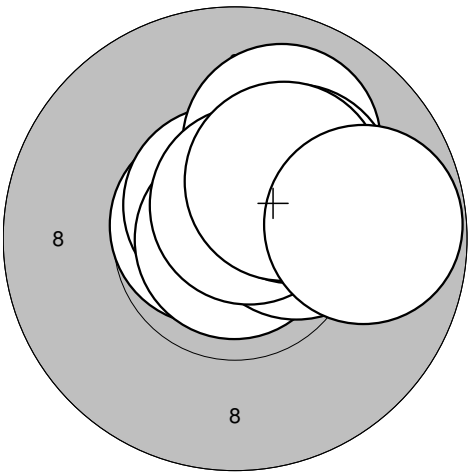
60 shot

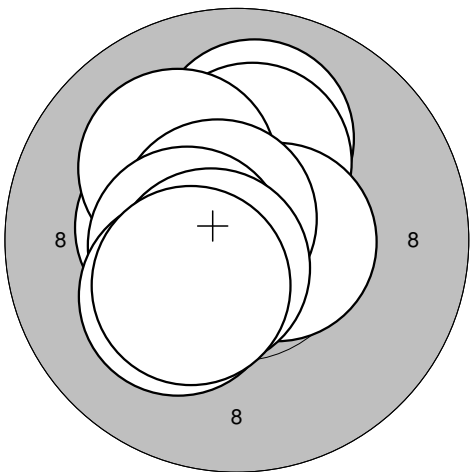
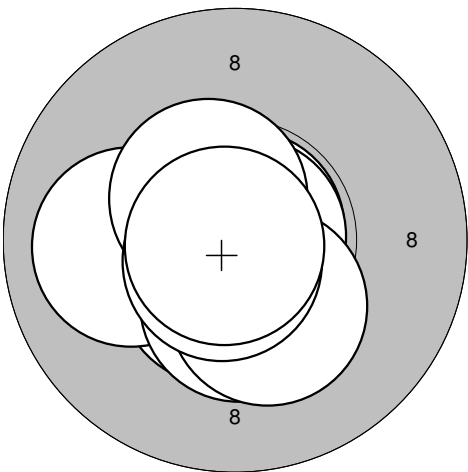


31: 10,6\* ↗  
 32: 10,4\* ↗  
 33: 10,5\* ↗  
 34: 9,8 ←  
 35: 10,2\* ←  
 36: 10,2\* ↘  
 37: 10,4\* ↘  
 38: 10,1 ↗  
 39: 10,2\* ↘  
 40: 10,0 →

Serie 102,4  
 Totalt 409,6

<p>Sight</p> 	<p>Sight</p> 	
<p>1: 10,5* ↙ 2: 10,6* ↖ 3: 10,7* ↗ 4: 10,1 ↘ 5: 10,2* ↘ 6: 10,1 → 7: 10,6* ↑ 8: 10,8* → 9: 9,9 ↗ 10: 10,6* ↓</p>	<p>11: 10,2* ↘ 12: 10,7* ↗ 13: 10,8* ↗</p>	
Serie 104,1	Serie 31,7	
Totalt 0,0	Totalt 0,0	

<p>60 shot</p> 	<p>60 shot</p> 	
<p>1: 10,7* ← 2: 10,3* ↗ 3: 10,4* → 4: 9,7 ↖ 5: 10,9* ↑ 6: 10,8* ↖ 7: 10,7* → 8: 10,9* ↗ 9: 10,4* ↑ 10: 10,7* ↖</p>	<p>11: 10,3* ↗ 12: 10,7* ↖ 13: 10,6* ↑ 14: 10,9* ↘ 15: 10,4* → 16: 10,0 ↑ 17: 10,6* ↗ 18: 10,2* ↗ 19: 10,3* ↗ 20: 9,8 →</p>	
Serie 105,5	Serie 103,8	
Totalt 105,5	Totalt 209,3	

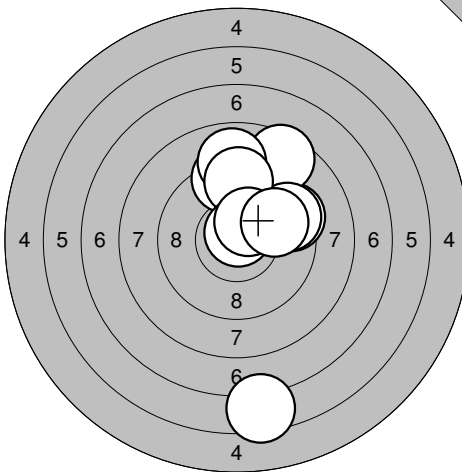
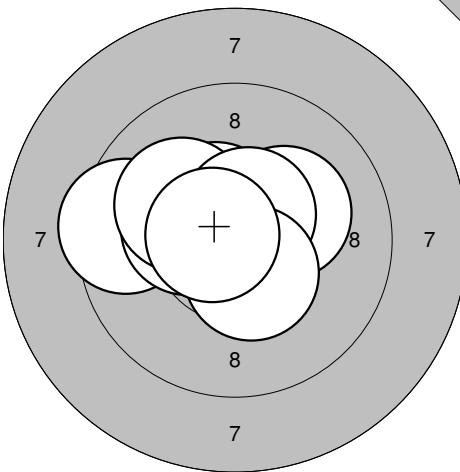
<p>60 shot</p> 	<p>60 shot</p> 	
<p>21: 10,4* ← 22: 10,0 ↑ 23: 10,2* ↑ 24: 10,1 ↖ 25: 10,6* → 26: 10,7* ↗ 27: 10,5* ← 28: 10,6* ↘ 29: 10,2* ↘ 30: 10,4* ↘</p>	<p>31: 10,8* ↗ 32: 10,7* ← 33: 10,8* → 34: 10,5* ↘ 35: 10,0 ← 36: 10,5* ↖ 37: 10,4* ↘ 38: 10,3* ↘ 39: 10,7* ↘ 40: 10,8* ↖</p>	
Serie 103,7	Serie 105,5	
Totalt 313,0	Totalt 418,5	

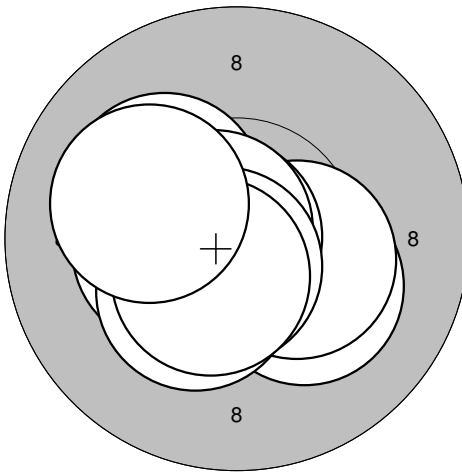
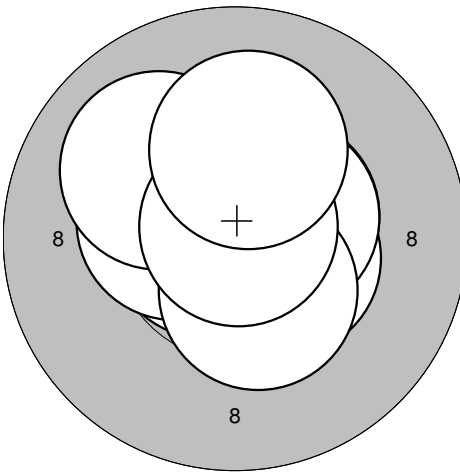
Kyrkås

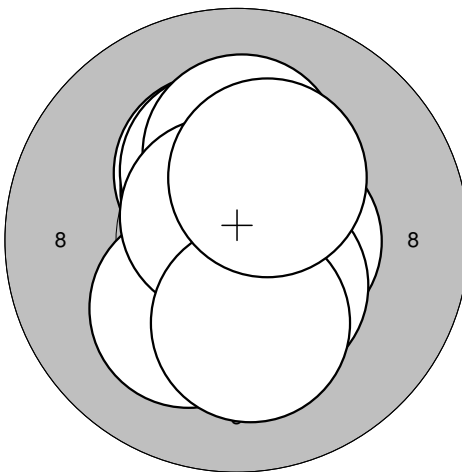
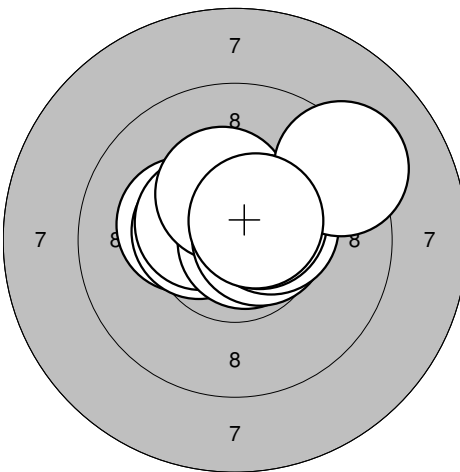
2011-04-09

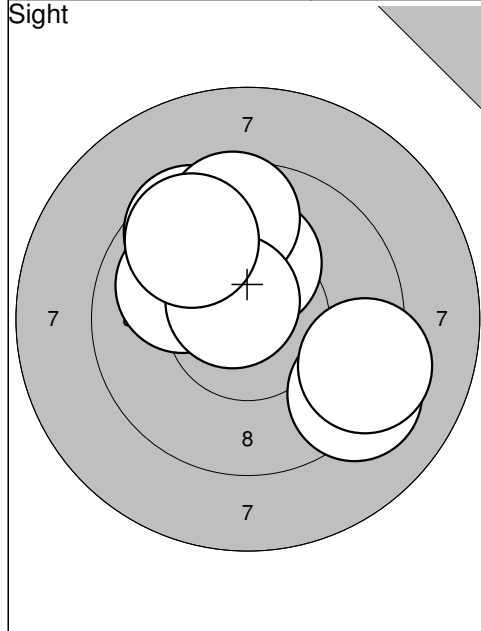
UME-Kulan 2011

Umeå skytteallians

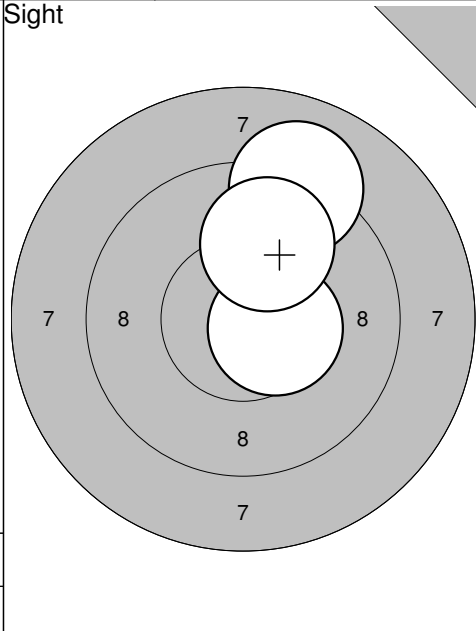
<p>Sight</p> 	<p>1: 6,5 ↓</p> <p>2: 9,4 →</p> <p>3: 9,3 ↑</p> <p>4: 8,5 ↗</p> <p>5: 8,9 ↑</p> <p>6: 9,5 →</p> <p>7: 9,4 ↑</p> <p>8: 10,8* ↑</p> <p>9: 10,4* ↗</p> <p>10: 9,9 →</p>	<p>Sight</p> 	<p>11: 10,2* ↗</p> <p>12: 10,5* ↖</p> <p>13: 9,5 ←</p> <p>14: 10,3* ←</p> <p>15: 10,1 ↖</p> <p>16: 10,6* ↗</p> <p>17: 10,5* ↓</p> <p>18: 10,6* ←</p>
Serie 92,6	Totalt 0,0	Serie 82,3	Totalt 0,0

<p>60 shot</p> 	<p>1: 10,4* ←</p> <p>2: 10,2* ↖</p> <p>3: 10,2* ↓</p> <p>4: 10,4* →</p> <p>5: 10,3* ↓</p> <p>6: 10,8* ←</p> <p>7: 10,7* ↖</p> <p>8: 10,7* ↓</p> <p>9: 10,5* ↓</p> <p>10: 10,1 ↖</p>	<p>60 shot</p> 	<p>11: 10,5* →</p> <p>12: 10,5* ↗</p> <p>13: 10,7* ←</p> <p>14: 10,4* ←</p> <p>15: 10,7* ↑</p> <p>16: 10,5* →</p> <p>17: 10,0 ↖</p> <p>18: 10,4* ↓</p> <p>19: 10,8* ↑</p> <p>20: 10,1 ↑</p>
Serie 104,3	Totalt 104,3	Serie 104,6	Totalt 208,9

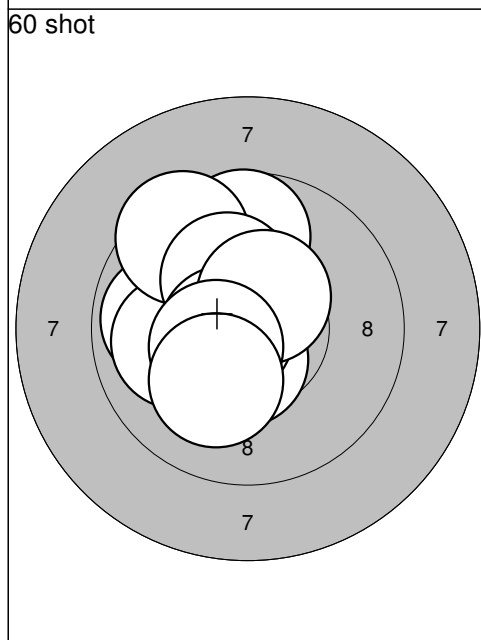
<p>60 shot</p> 	<p>21: 10,3* ↑</p> <p>22: 10,5* ↑</p> <p>23: 10,3* ↑</p> <p>24: 10,5* →</p> <p>25: 10,4* ↓</p> <p>26: 10,2* ↓</p> <p>27: 10,2* ↑</p> <p>28: 10,7* ↖</p> <p>29: 10,2* ↓</p> <p>30: 10,3* ↗</p>	<p>60 shot</p> 	<p>31: 10,2* ←</p> <p>32: 10,5* ←</p> <p>33: 10,5* ↖</p> <p>34: 10,8* →</p> <p>35: 10,3* ↑</p> <p>36: 10,6* →</p> <p>37: 10,4* →</p> <p>38: 10,5* ↗</p> <p>39: 9,2 ↗</p> <p>40: 10,6* ↗</p>
Serie 103,6	Totalt 312,5	Serie 103,6	Totalt 416,1



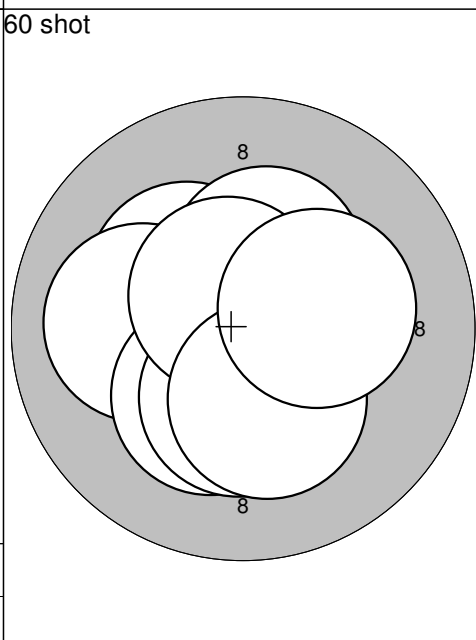
1: 9,2	↘
2: 10,0	↑
3: 10,5*	↗
4: 9,3	↘
5: 9,6	↗
6: 10,2*	↑
7: 9,6	↑
8: 10,0	↗
9: 10,6*	↗
10: 9,7	↗
<hr/>	
Serie	98,7
Totalt	0,0



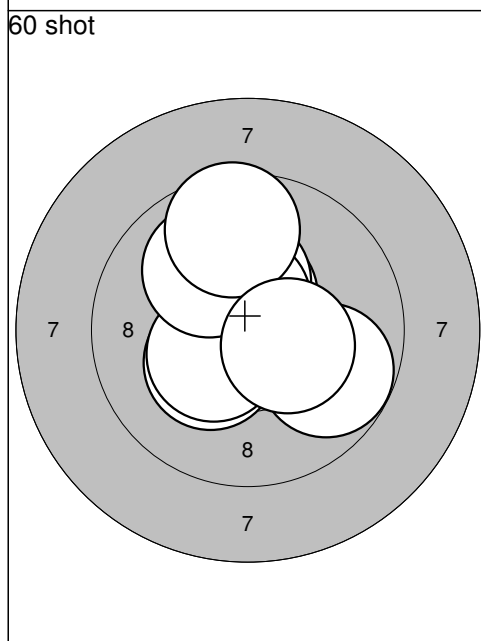
11: 9,1	↑
12: 10,5*	→
13: 9,9	↑
<hr/>	
Serie	29,5
Totalt	0,0



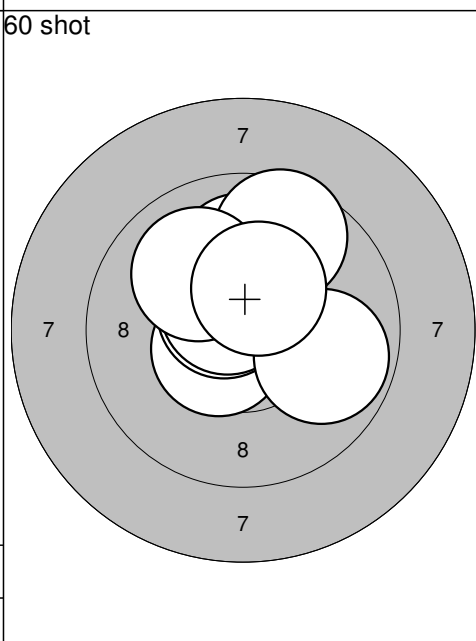
1: 10,5*	↓
2: 9,9	←
3: 9,7	↑
4: 10,0	←
5: 9,5	↗
6: 10,3*	↗
7: 10,7*	←
8: 10,5*	↗
9: 10,5*	↖
10: 10,1	↓
<hr/>	
Serie	101,7
Totalt	101,7



11: 10,3*	↖
12: 10,3*	↖
13: 10,0	←
14: 10,6*	↗
15: 10,3*	↓
16: 10,4*	↑
17: 10,3*	↓
18: 10,6*	↗
19: 10,3*	↓
20: 10,3*	→
<hr/>	
Serie	103,4
Totalt	205,1



21: 10,6*	←
22: 10,3*	↖
23: 10,5*	↑
24: 10,3*	↑
25: 10,6*	↑
26: 10,4*	↖
27: 10,0	↗
28: 9,8	↘
29: 9,6	↑
30: 10,4*	→
<hr/>	
Serie	102,5
Totalt	307,6



31: 10,0	↑
32: 10,6*	↑
33: 10,5*	↖
34: 10,5*	↗
35: 9,6	↗
36: 10,6*	↖
37: 10,6*	↗
38: 9,8	→
39: 10,0	↖
40: 10,4*	↗
<hr/>	
Serie	102,6
Totalt	410,2

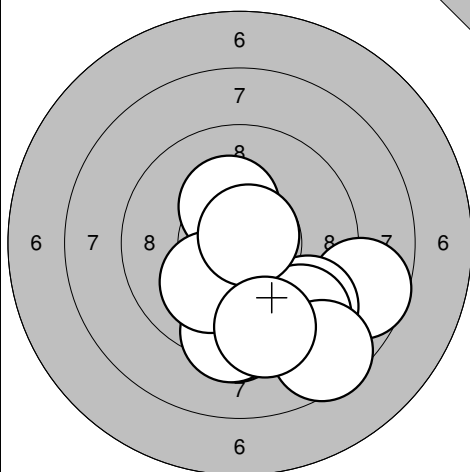
Kyrkås

2011-04-09

UME-Kulan 2011

Umeå skytteallians

Sight

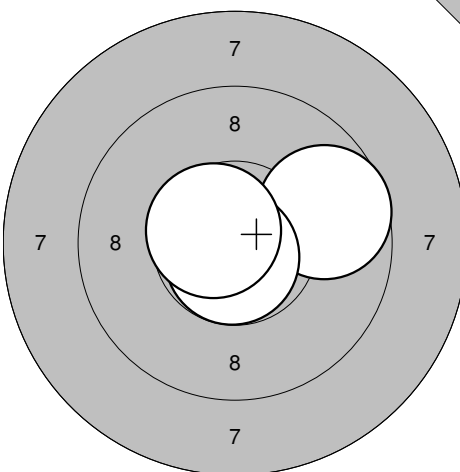


1: 9,4 ↓  
 2: 8,7 →  
 3: 9,3 ↓  
 4: 9,3 ↓  
 5: 8,6 ↓  
 6: 9,4 ↓  
 7: 10,3\* ↑  
 8: 10,1 ↓  
 9: 10,7\* ↗  
 10: 9,4 ↓

Serie 95,2

Totalt 0,0

Sight

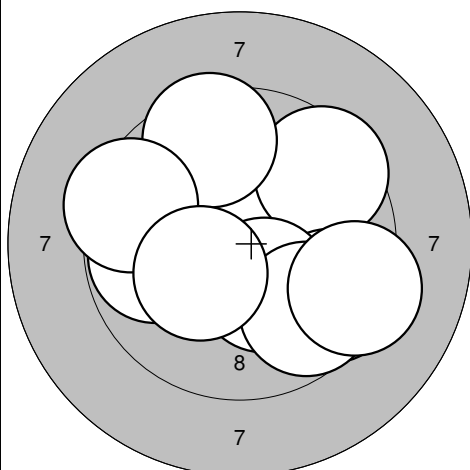


11: 9,7 →  
 12: 10,8\* ↓  
 13: 10,6\* ↖

Serie 31,1

Totalt 0,0

60 shot

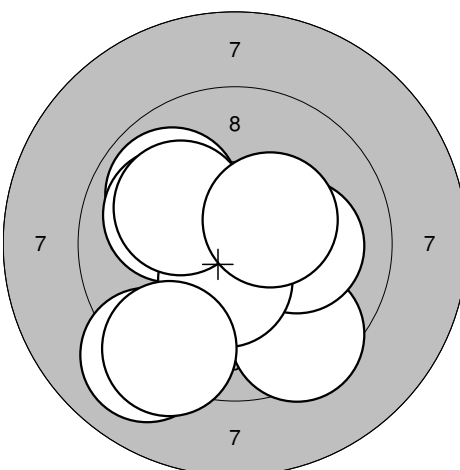


1: 10,6\* ↑  
 2: 9,5 ↗  
 3: 9,5 ↓  
 4: 10,3\* ↓  
 5: 9,7 ↓  
 6: 9,8 ←  
 7: 9,5 ↑  
 8: 9,3 →  
 9: 9,4 ↖  
 10: 10,3\* ↙

Serie 97,9

Totalt 97,9

60 shot

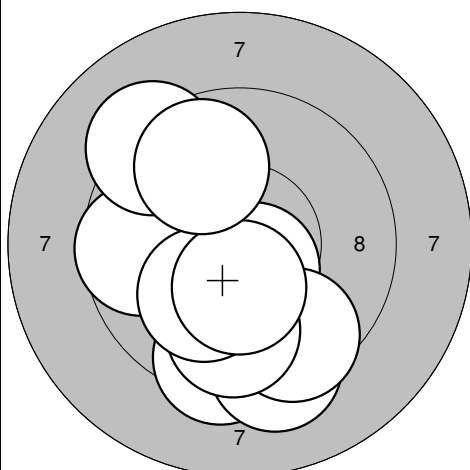


11: 9,5 ↓  
 12: 10,1 →  
 13: 10,9\* ↗  
 14: 9,9 ↖  
 15: 10,0 ↖  
 16: 10,5\* ↓  
 17: 9,1 ↓  
 18: 10,1 ↖  
 19: 9,3 ↓  
 20: 10,4\* ↗

Serie 99,8

Totalt 197,7

60 shot

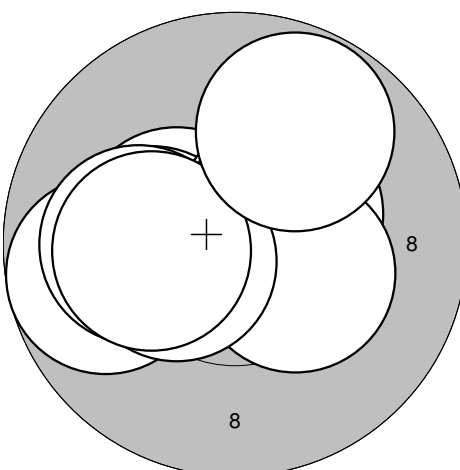


21: 9,6 ←  
 22: 9,4 ↓  
 23: 10,6\* ↓  
 24: 9,3 ↓  
 25: 9,5 ↓  
 26: 9,8 ↓  
 27: 10,1 ↓  
 28: 10,4\* ↓  
 29: 9,2 ↗  
 30: 9,8 ↗

Serie 97,7

Totalt 295,4

60 shot



31: 10,4\* ↖  
 32: 10,2\* ←  
 33: 9,8 ←  
 34: 10,5\* ↗  
 35: 10,1 ←  
 36: 10,4\* ↗  
 37: 10,3\* →  
 38: 10,4\* ←  
 39: 10,2\* ←  
 40: 9,8 ↗

Serie 102,1

Totalt 397,5