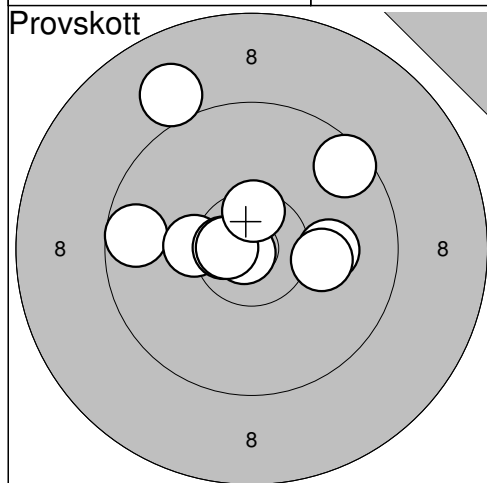


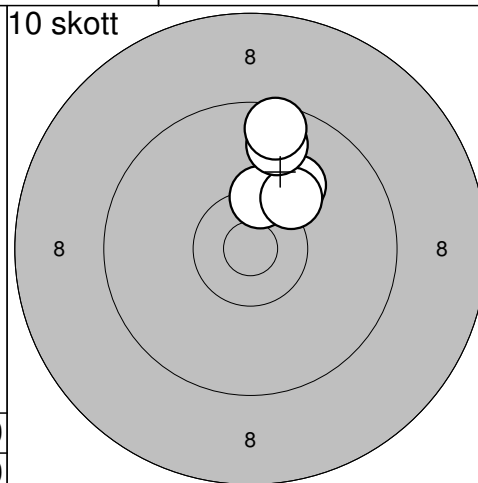
Umeå Skf

2009.08.29	Höstträffen 2009 Final	Ramselefors SKF
------------	------------------------	-----------------



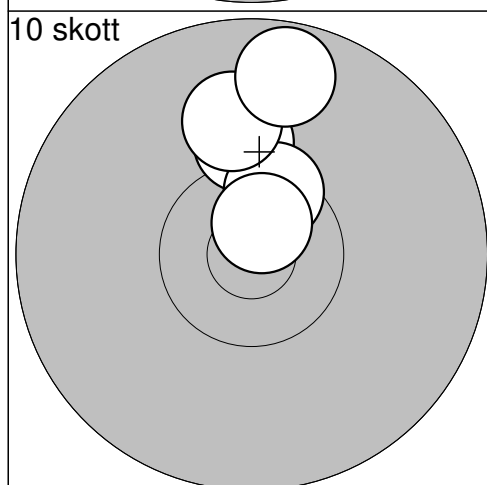
- 1: 9,7 ←
- 2: 10,1 →
- 3: 10,9* ↙
- 4: 9,0 ↗
- 5: 10,1 →
- 6: 9,5 ↗
- 7: 10,3* ←
- 8: 10,6* ←
- 9: 10,7* ←
- 10: 10,5* ↑

Serie	97,0
Totalt	197,0



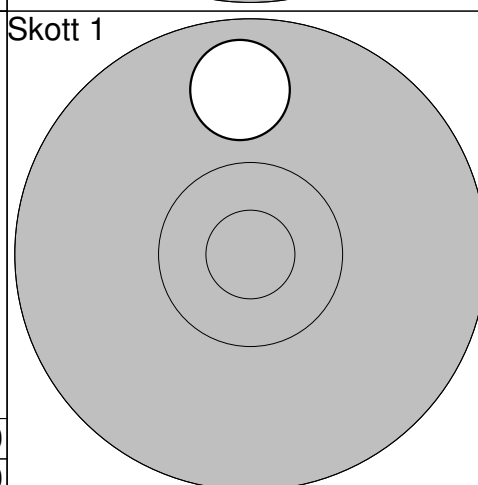
- 1: 10,1 ↗
- 2: 10,4* ↑
- 3: 10,2 ↗
- 4: 9,7 ↑
- 5: 9,6 ↑

Serie	48,0
Totalt	245,0



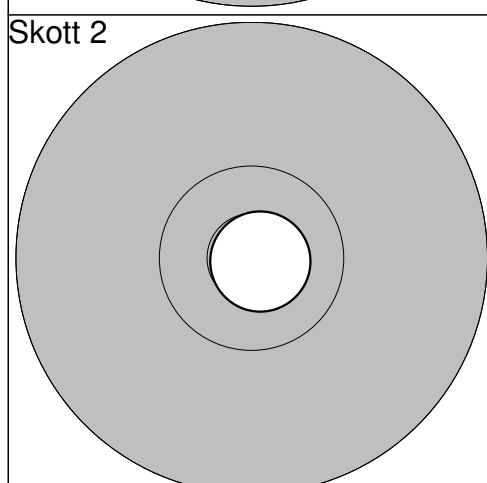
- 6: 10,2 ↑
- 7: 10,5* ↑
- 8: 10,0 ↑
- 9: 9,7 ↑
- 10: 10,7* ↑

Serie	49,0
Totalt	294,0



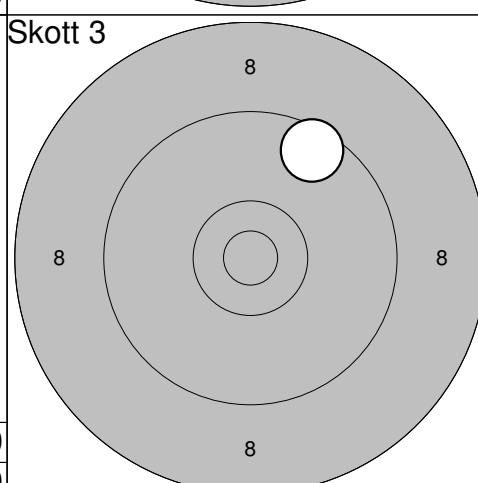
- 1: 9,8 ↑

Serie	9,0
Totalt	303,0



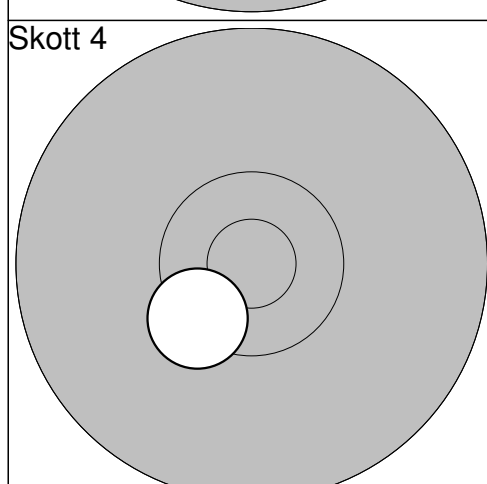
- 1: 10,9* →

Serie	10,0
Totalt	313,0



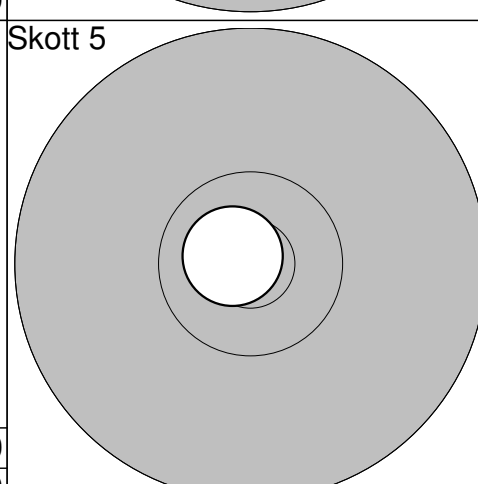
- 1: 9,6 ↗

Serie	9,0
Totalt	322,0



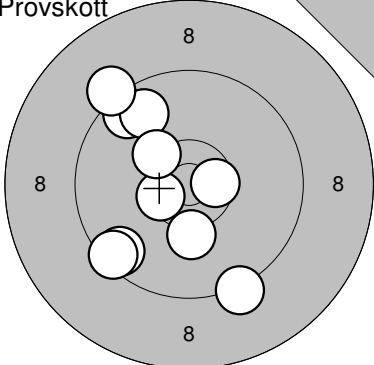
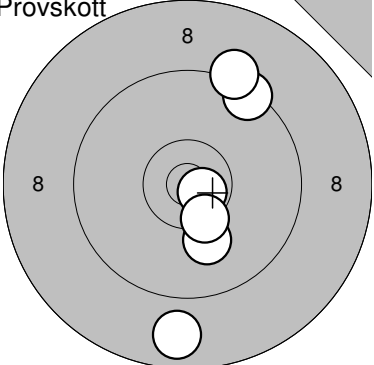
- 1: 10,4* ↙

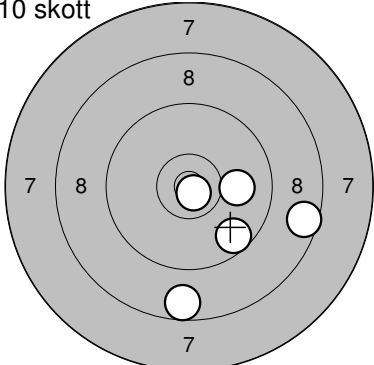
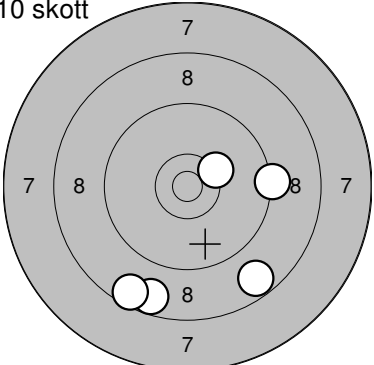
Serie	10,0
Totalt	332,0

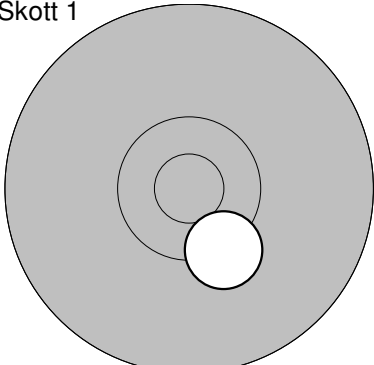
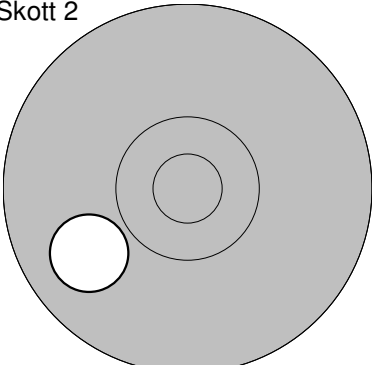


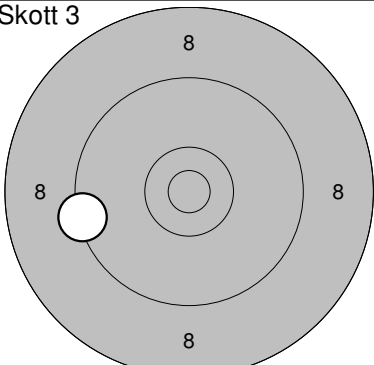
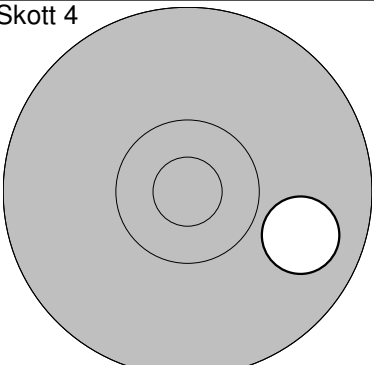
- 1: 10,8* ↙

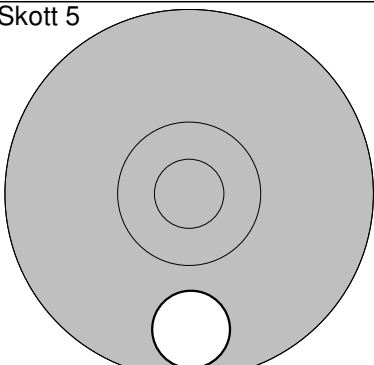
Serie	10,0
Totalt	342,0

Provskott		Provskott																																	
	<table style="width:100%; border-collapse: collapse;"> <tr><td>1: 9,6</td><td style="text-align: right;">↗</td></tr> <tr><td>2: 9,3</td><td style="text-align: right;">↘</td></tr> <tr><td>3: 9,8</td><td style="text-align: right;">↗↗</td></tr> <tr><td>4: 10,2</td><td style="text-align: right;">↘↘</td></tr> <tr><td>5: 9,6</td><td style="text-align: right;">↘↘</td></tr> <tr><td>6: 9,5</td><td style="text-align: right;">↘↘</td></tr> <tr><td>7: 10,5*</td><td style="text-align: right;">↘↘</td></tr> <tr><td>8: 9,2</td><td style="text-align: right;">↗↗</td></tr> <tr><td>9: 10,3*</td><td style="text-align: right;">↗↗</td></tr> <tr><td>10: 10,6*</td><td style="text-align: right;">↗↗</td></tr> </table>	1: 9,6	↗	2: 9,3	↘	3: 9,8	↗↗	4: 10,2	↘↘	5: 9,6	↘↘	6: 9,5	↘↘	7: 10,5*	↘↘	8: 9,2	↗↗	9: 10,3*	↗↗	10: 10,6*	↗↗		<table style="width:100%; border-collapse: collapse;"> <tr><td>11: 9,4</td><td style="text-align: right;">↗</td></tr> <tr><td>12: 10,1</td><td style="text-align: right;">↘</td></tr> <tr><td>13: 9,2</td><td style="text-align: right;">↗</td></tr> <tr><td>14: 10,7*</td><td style="text-align: right;">↘</td></tr> <tr><td>15: 8,8</td><td style="text-align: right;">↘</td></tr> <tr><td>16: 10,4*</td><td style="text-align: right;">↘</td></tr> </table>	11: 9,4	↗	12: 10,1	↘	13: 9,2	↗	14: 10,7*	↘	15: 8,8	↘	16: 10,4*	↘
1: 9,6	↗																																		
2: 9,3	↘																																		
3: 9,8	↗↗																																		
4: 10,2	↘↘																																		
5: 9,6	↘↘																																		
6: 9,5	↘↘																																		
7: 10,5*	↘↘																																		
8: 9,2	↗↗																																		
9: 10,3*	↗↗																																		
10: 10,6*	↗↗																																		
11: 9,4	↗																																		
12: 10,1	↘																																		
13: 9,2	↗																																		
14: 10,7*	↘																																		
15: 8,8	↘																																		
16: 10,4*	↘																																		
<table style="width:100%; border-collapse: collapse;"> <tr><td style="text-align: right;">Serie</td><td style="text-align: right;">94,0</td></tr> <tr><td style="text-align: right;">Totalt</td><td style="text-align: right;">193,0</td></tr> </table>		Serie	94,0	Totalt	193,0	<table style="width:100%; border-collapse: collapse;"> <tr><td style="text-align: right;">Serie</td><td style="text-align: right;">56,0</td></tr> <tr><td style="text-align: right;">Totalt</td><td style="text-align: right;">193,0</td></tr> </table>		Serie	56,0	Totalt	193,0																								
Serie	94,0																																		
Totalt	193,0																																		
Serie	56,0																																		
Totalt	193,0																																		

10 skott		10 skott																					
	<table style="width:100%; border-collapse: collapse;"> <tr><td>1: 10,0</td><td style="text-align: right;">→</td></tr> <tr><td>2: 9,6</td><td style="text-align: right;">↘</td></tr> <tr><td>3: 10,8*</td><td style="text-align: right;">↘</td></tr> <tr><td>4: 8,6</td><td style="text-align: right;">↘</td></tr> <tr><td>5: 8,6</td><td style="text-align: right;">↘</td></tr> </table>	1: 10,0	→	2: 9,6	↘	3: 10,8*	↘	4: 8,6	↘	5: 8,6	↘		<table style="width:100%; border-collapse: collapse;"> <tr><td>6: 8,6</td><td style="text-align: right;">↘</td></tr> <tr><td>7: 8,6</td><td style="text-align: right;">↘</td></tr> <tr><td>8: 10,3*</td><td style="text-align: right;">↗</td></tr> <tr><td>9: 8,7</td><td style="text-align: right;">↘</td></tr> <tr><td>10: 9,3</td><td style="text-align: right;">→</td></tr> </table>	6: 8,6	↘	7: 8,6	↘	8: 10,3*	↗	9: 8,7	↘	10: 9,3	→
1: 10,0	→																						
2: 9,6	↘																						
3: 10,8*	↘																						
4: 8,6	↘																						
5: 8,6	↘																						
6: 8,6	↘																						
7: 8,6	↘																						
8: 10,3*	↗																						
9: 8,7	↘																						
10: 9,3	→																						
<table style="width:100%; border-collapse: collapse;"> <tr><td style="text-align: right;">Serie</td><td style="text-align: right;">45,0</td></tr> <tr><td style="text-align: right;">Totalt</td><td style="text-align: right;">238,0</td></tr> </table>		Serie	45,0	Totalt	238,0	<table style="width:100%; border-collapse: collapse;"> <tr><td style="text-align: right;">Serie</td><td style="text-align: right;">43,0</td></tr> <tr><td style="text-align: right;">Totalt</td><td style="text-align: right;">281,0</td></tr> </table>		Serie	43,0	Totalt	281,0												
Serie	45,0																						
Totalt	238,0																						
Serie	43,0																						
Totalt	281,0																						

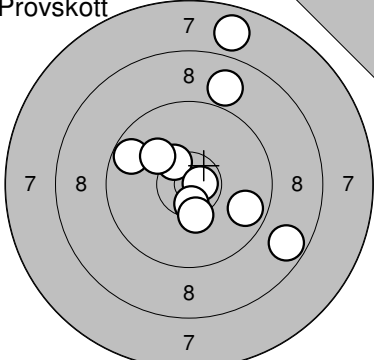
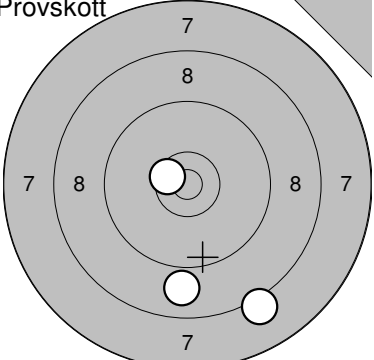
Skott 1		Skott 2									
	<table style="width:100%; border-collapse: collapse;"> <tr><td>1: 10,3*</td><td style="text-align: right;">↘</td></tr> </table>	1: 10,3*	↘		<table style="width:100%; border-collapse: collapse;"> <tr><td>1: 9,9</td><td style="text-align: right;">↙</td></tr> </table>	1: 9,9	↙				
1: 10,3*	↘										
1: 9,9	↙										
<table style="width:100%; border-collapse: collapse;"> <tr><td style="text-align: right;">Serie</td><td style="text-align: right;">10,0</td></tr> <tr><td style="text-align: right;">Totalt</td><td style="text-align: right;">291,0</td></tr> </table>		Serie	10,0	Totalt	291,0	<table style="width:100%; border-collapse: collapse;"> <tr><td style="text-align: right;">Serie</td><td style="text-align: right;">9,0</td></tr> <tr><td style="text-align: right;">Totalt</td><td style="text-align: right;">300,0</td></tr> </table>		Serie	9,0	Totalt	300,0
Serie	10,0										
Totalt	291,0										
Serie	9,0										
Totalt	300,0										

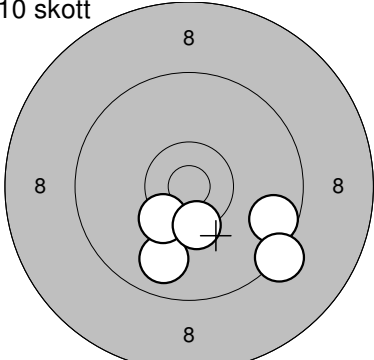
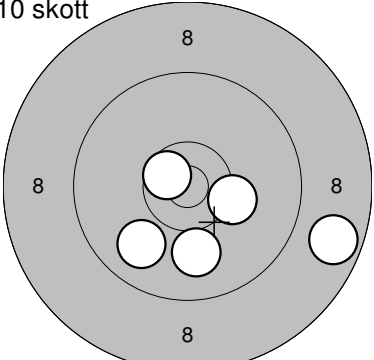
Skott 3		Skott 4									
	<table style="width:100%; border-collapse: collapse;"> <tr><td>1: 9,4</td><td style="text-align: right;">←</td></tr> </table>	1: 9,4	←		<table style="width:100%; border-collapse: collapse;"> <tr><td>1: 9,9</td><td style="text-align: right;">→</td></tr> </table>	1: 9,9	→				
1: 9,4	←										
1: 9,9	→										
<table style="width:100%; border-collapse: collapse;"> <tr><td style="text-align: right;">Serie</td><td style="text-align: right;">9,0</td></tr> <tr><td style="text-align: right;">Totalt</td><td style="text-align: right;">309,0</td></tr> </table>		Serie	9,0	Totalt	309,0	<table style="width:100%; border-collapse: collapse;"> <tr><td style="text-align: right;">Serie</td><td style="text-align: right;">9,0</td></tr> <tr><td style="text-align: right;">Totalt</td><td style="text-align: right;">318,0</td></tr> </table>		Serie	9,0	Totalt	318,0
Serie	9,0										
Totalt	309,0										
Serie	9,0										
Totalt	318,0										

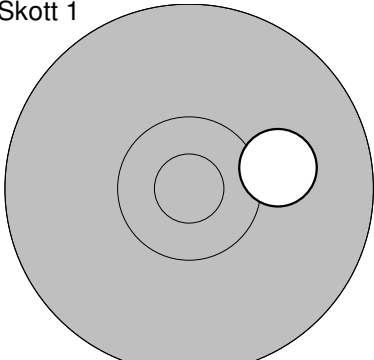
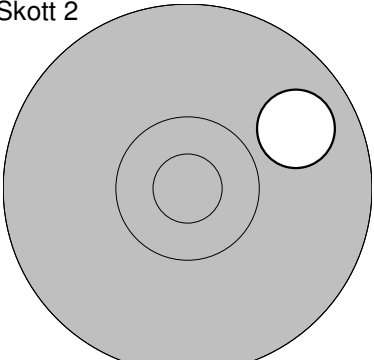
Skott 5							
	<table style="width:100%; border-collapse: collapse;"> <tr><td>1: 9,7</td><td style="text-align: right;">↘</td></tr> </table>	1: 9,7	↘				
1: 9,7	↘						
<table style="width:100%; border-collapse: collapse;"> <tr><td style="text-align: right;">Serie</td><td style="text-align: right;">9,0</td></tr> <tr><td style="text-align: right;">Totalt</td><td style="text-align: right;">327,0</td></tr> </table>		Serie	9,0	Totalt	327,0		
Serie	9,0						
Totalt	327,0						

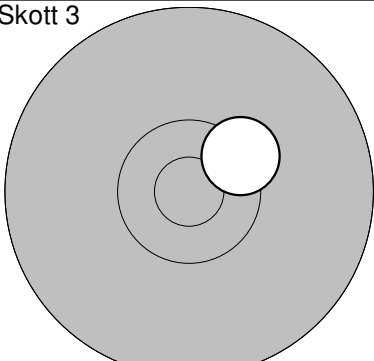
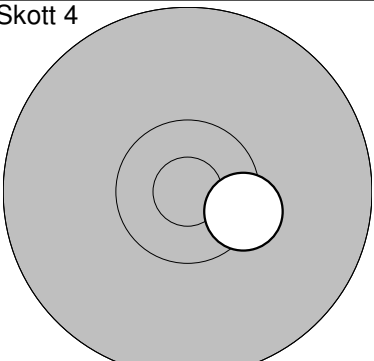
Umeå Skf

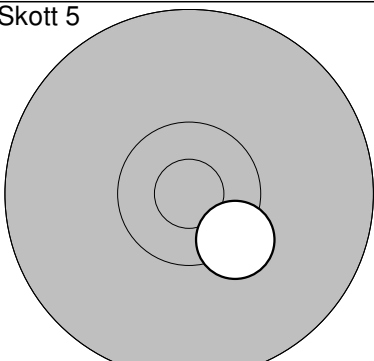
2009.08.29	Höstträffen 2009 Final	Ramselefors SKF
------------	------------------------	-----------------

Provsnitt	1: 7,8 2: 8,9 3: 9,7 4: 10,4* 5: 8,7 6: 10,1 7: 10,7* 8: 10,6* 9: 9,7 10: 10,3*	Provsnitt	11: 8,9 12: 8,1 13: 10,5*
	Serie 91,0 Totalt 191,0		Serie 26,0 Totalt 191,0

10 skott	1: 9,6 2: 9,3 3: 9,8 4: 10,4* 5: 10,4*	10 skott	6: 9,9 7: 10,6* 8: 10,0 9: 8,7 10: 10,3
	Serie 47,0 Totalt 238,0		Serie 47,0 Totalt 285,0

Skott 1	1: 10,1 →	Skott 2	1: 9,8 ↗
	Serie 10,0 Totalt 295,0		Serie 9,0 Totalt 304,0

Skott 3	1: 10,4* ↗	Skott 4	1: 10,4* →
	Serie 10,0 Totalt 314,0		Serie 10,0 Totalt 324,0

Skott 5	1: 10,4* ↓		
	Serie 10,0 Totalt 334,0		

Umeå Skf

2009.08.29	Höstträffen 2009 Final	Ramselefors SKF
------------	------------------------	-----------------

<p>Provskott</p>	<p>1: 7,7 ← 2: 9,3 ← 3: 7,0 ← 4: 9,3 ← 5: 8,8 ← 6: 7,8 ← 7: 8,9 ↘ 8: 9,8 → 9: 9,9 ↘ 10: 9,6 ↓</p>	<p>Provskott</p>	<p>11: 10,2 ↖ 12: 9,2 ↓</p>
<p>Serie 82,0</p>		<p>Serie 19,0</p>	
<p>Totalt 190,0</p>		<p>Totalt 190,0</p>	

<p>10 skott</p>	<p>1: 10,6* ↗ 2: 9,9 ↘ 3: 10,4* ↗ 4: 10,8* ↘ 5: 10,2 ↖</p>	<p>10 skott</p>	<p>6: 10,7* → 7: 9,6 ← 8: 10,0 ↓ 9: 9,8 ← 10: 10,1 ↓</p>
<p>Serie 49,0</p>		<p>Serie 48,0</p>	
<p>Totalt 239,0</p>		<p>Totalt 287,0</p>	

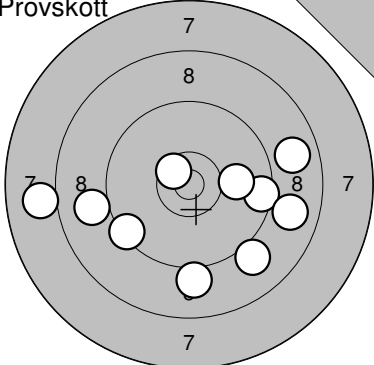
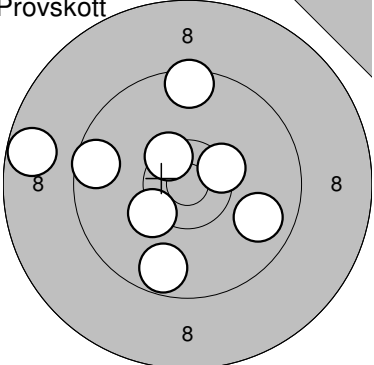
<p>Skott 1</p>	<p>1: 10,6* ↖</p>	<p>Skott 2</p>	<p>1: 9,6 ↖</p>
<p>Serie 10,0</p>		<p>Serie 9,0</p>	
<p>Totalt 297,0</p>		<p>Totalt 306,0</p>	

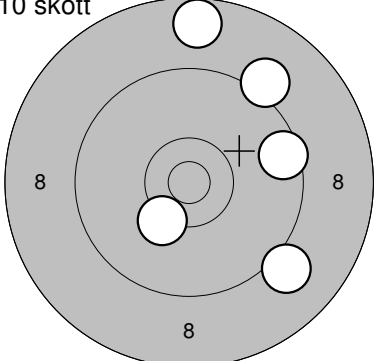
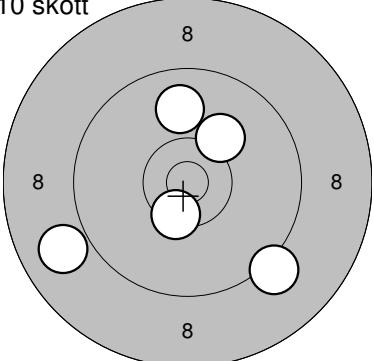
<p>Skott 3</p>	<p>1: 10,5* ↓</p>	<p>Skott 4</p>	<p>1: 9,5 ←</p>
<p>Serie 10,0</p>		<p>Serie 9,0</p>	
<p>Totalt 316,0</p>		<p>Totalt 325,0</p>	

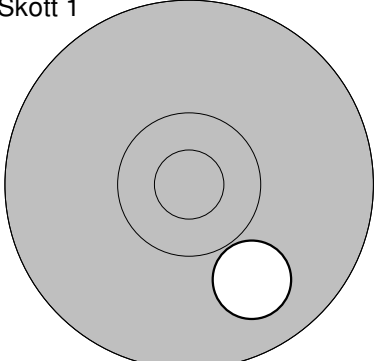
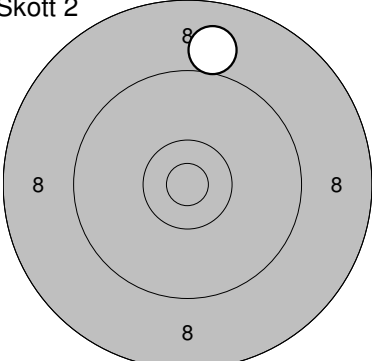
<p>Skott 5</p>	<p>1: 10,6* ←</p>		
<p>Serie 10,0</p>			
<p>Totalt 335,0</p>			

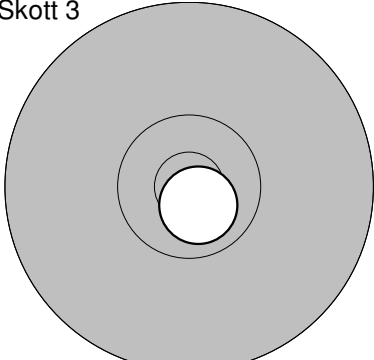
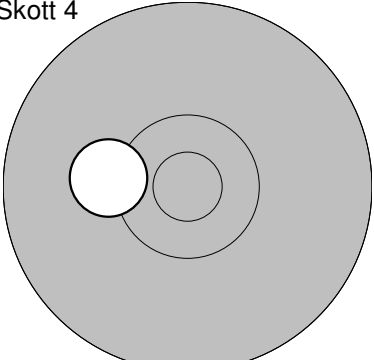
Ramselefors Skf		
-----------------	--	--

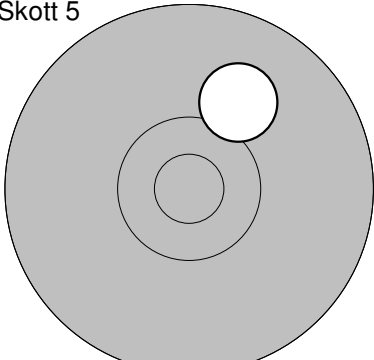
2009.08.29	Höstträffen 2009 Final	Ramselefors SKF
------------	------------------------	-----------------

Provsnitt 	1: 9,5 → 2: 8,8 → 3: 9,0 ↘ 4: 9,4 ↖ 5: 10,6* ↗ 6: 8,9 → 7: 10,0 → 8: 9,0 ← 9: 8,0 ← 10: 9,0 ↓ <hr/> Serie 89,0 Totalt 188,0	Provsnitt 	11: 9,5 ↑ 12: 10,3* ↖ 13: 10,5* ↗ 14: 9,6 ← 15: 9,7 ↓ 16: 8,7 ← 17: 9,8 → 18: 10,4* → <hr/> Serie 74,0 Totalt 188,0
---	--	---	--

10 skott 	1: 9,5 → 2: 9,2 ↗ 3: 8,7 ↑ 4: 9,1 ↘ 5: 10,3 ↖ <hr/> Serie 45,0 Totalt 233,0	10 skott 	6: 8,9 ↖ 7: 10,2 ↗ 8: 9,2 ↘ 9: 10,5* ↓ 10: 9,9 ↑ <hr/> Serie 46,0 Totalt 279,0
--	---	--	--

Skott 1 	1: 9,9 ↓ <hr/> Serie 9,0 Totalt 288,0	Skott 2 	1: 9,0 ↑ <hr/> Serie 9,0 Totalt 297,0
--	---	--	---

Skott 3 	1: 10,8* ↓ <hr/> Serie 10,0 Totalt 307,0	Skott 4 	1: 10,2 ← <hr/> Serie 10,0 Totalt 317,0
---	--	---	---

Skott 5 	1: 10,1 ↗ <hr/> Serie 10,0 Totalt 327,0		
---	---	--	--

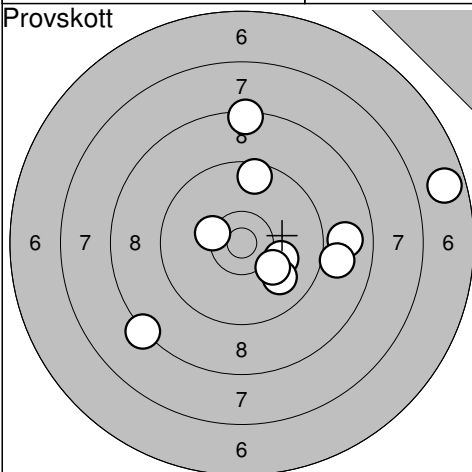
Umeå Skf

2009.08.29

Höstträffen 2009 Final

Ramselefors SKF

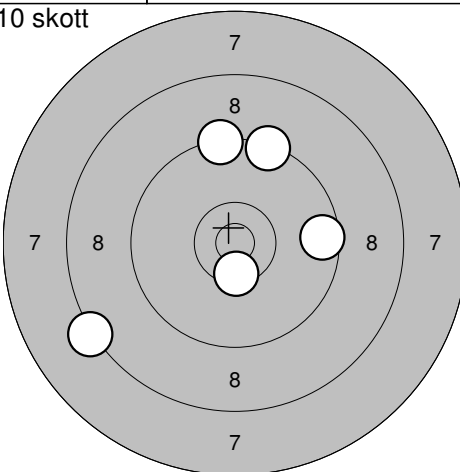
Provskott



- 1: 6,7 →
- 2: 8,4 ↑
- 3: 10,1 →
- 4: 8,9 →
- 5: 10,3* ←
- 6: 9,9 ↓
- 7: 9,0 →
- 8: 8,3 ↓
- 9: 9,6 ↑
- 10: 10,1 ↓

Serie 87,0
Totalt 179,0

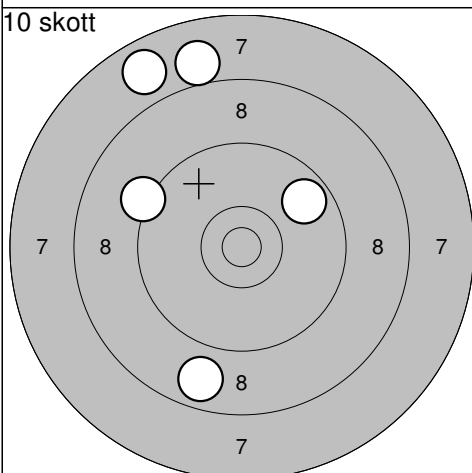
10 skott



- 1: 9,4 ↑
- 2: 10,5* ↓
- 3: 9,4 ↑
- 4: 8,3 ←
- 5: 9,6 →

Serie 45,0
Totalt 224,0

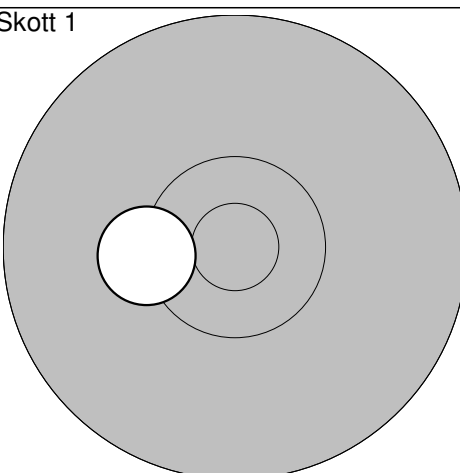
10 skott



- 6: 9,7 ↗
- 7: 8,8 ↓
- 8: 7,8 ↗
- 9: 8,0 ↑
- 10: 9,2 ↖

Serie 41,0
Totalt 265,0

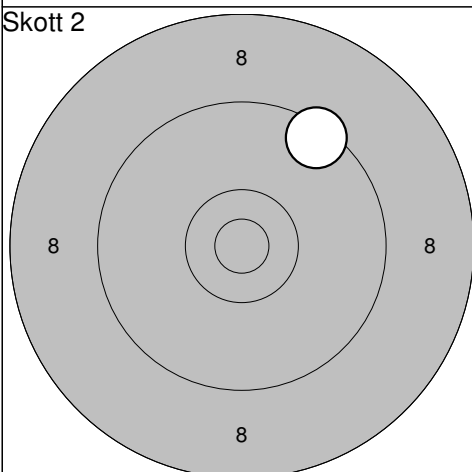
Skott 1



- 1: 10,3* ←

Serie 10,0
Totalt 275,0

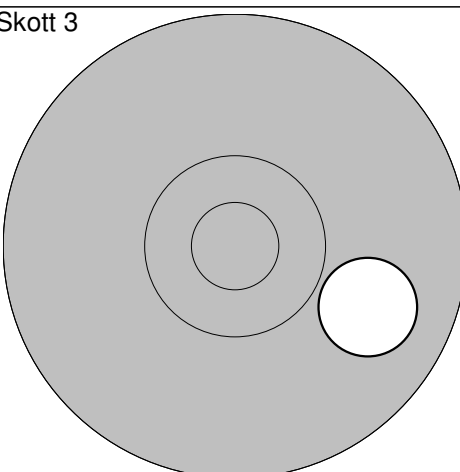
Skott 2



- 1: 9,4 ↗

Serie 9,0
Totalt 284,0

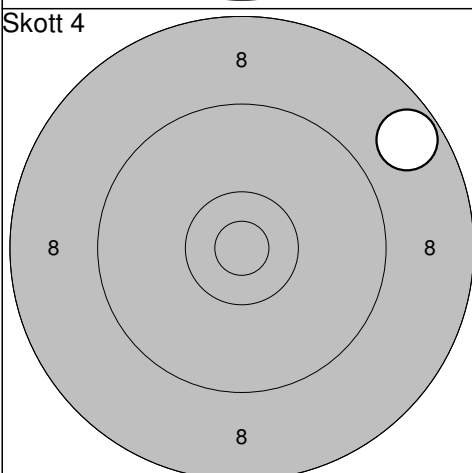
Skott 3



- 1: 9,9 →

Serie 9,0
Totalt 293,0

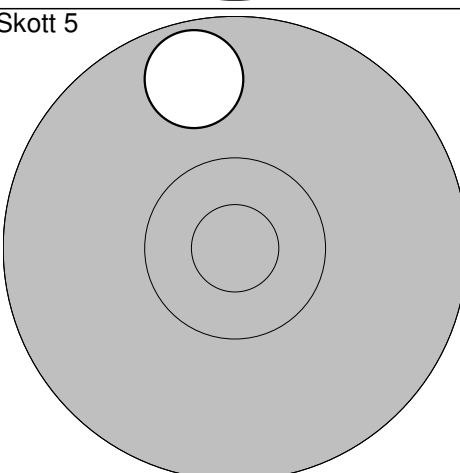
Skott 4



- 1: 8,7 ↗

Serie 8,0
Totalt 301,0

Skott 5

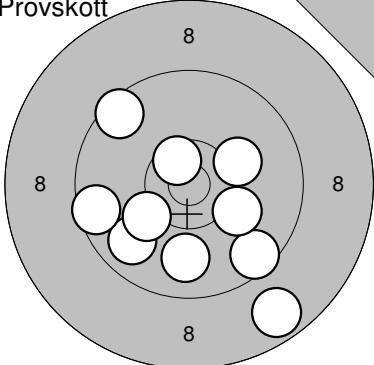
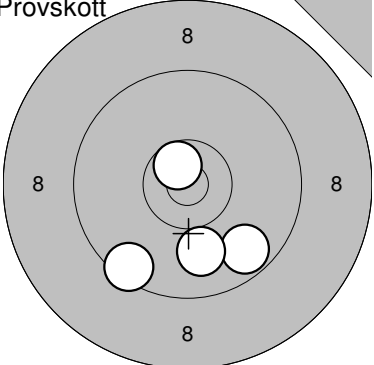


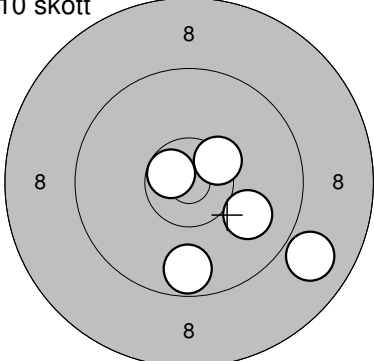
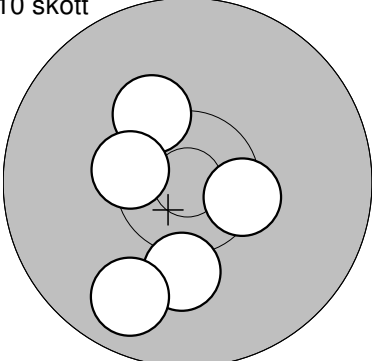
- 1: 9,7 ↑

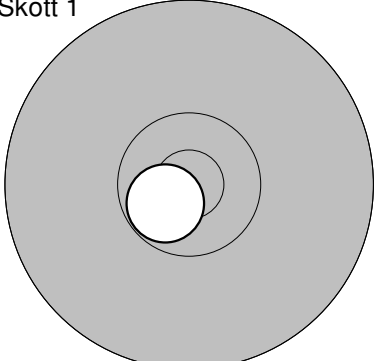
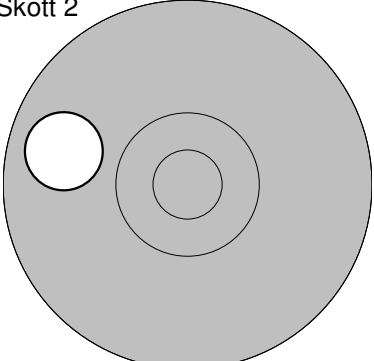
Serie 9,0
Totalt 310,0

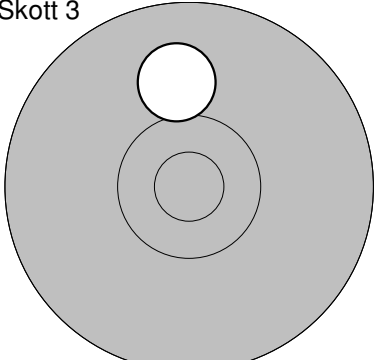
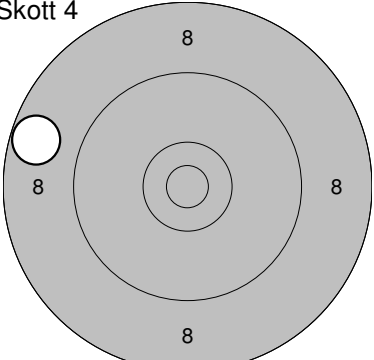
Ramselefors Skf

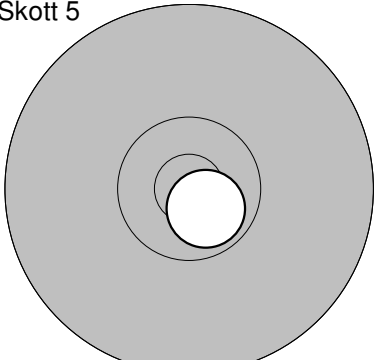
2009.08.29	Höstträffen 2009 Final	Ramselefors SKF
------------	------------------------	-----------------

Provsnitt 	1: 9,6 ↘ 2: 9,5 ↗ 3: 9,8 ↘ 4: 8,7 ↘ 5: 10,6* ↗ 6: 9,6 ↘ 7: 10,2 ↘ 8: 9,9 ↘ 9: 10,2 ↗ 10: 10,2 ↘ <hr/> Serie 93,0 Totalt 194,0	Provsnitt 	11: 10,7* ↗ 12: 9,5 ↘ 13: 9,7 ↘ 14: 10,0 ↘ <hr/> Serie 38,0 Totalt 194,0
---	--	---	---

10 skott 	1: 10,4* ↗ 2: 9,7 ↘ 3: 10,0 ↘ 4: 8,9 ↘ 5: 10,7* ↗ <hr/> Serie 47,0 Totalt 241,0	10 skott 	6: 10,4* → 7: 10,3 ↗ 8: 10,1 ↘ 9: 10,4* ↗ 10: 9,8 ↘ <hr/> Serie 49,0 Totalt 290,0
--	---	--	---

Skott 1 	1: 10,7* ↘ <hr/> Serie 10,0 Totalt 300,0	Skott 2 	1: 9,8 ← <hr/> Serie 9,0 Totalt 309,0
--	--	--	---

Skott 3 	1: 10,0 ↑ <hr/> Serie 10,0 Totalt 319,0	Skott 4 	1: 8,7 ← <hr/> Serie 8,0 Totalt 327,0
---	---	---	---

Skott 5 	1: 10,7* ↘ <hr/> Serie 10,0 Totalt 337,0		
---	--	--	--

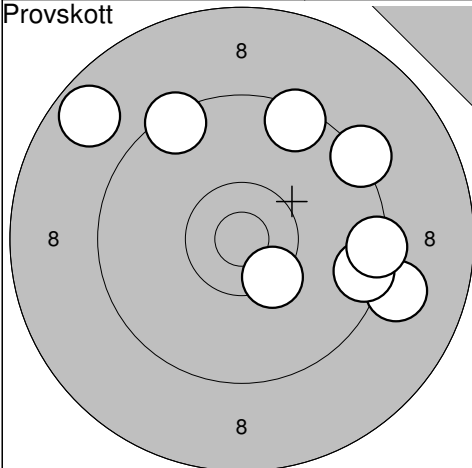
Umeå Skf

2009.08.29

Höstträffen 2009 Final

Ramselefors SKF

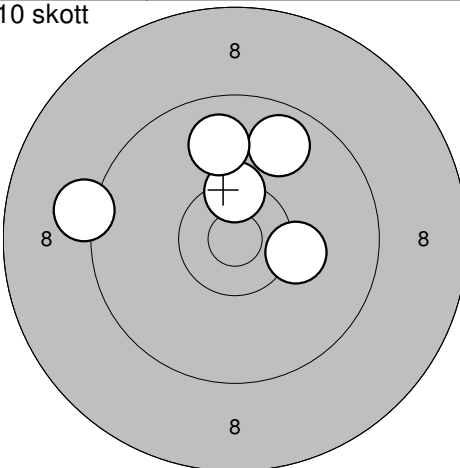
Provskott



- 1: 9,5 ↗
- 2: 9,1 →
- 3: 9,5 →
- 4: 10,4* ↘
- 5: 8,7 ↗
- 6: 9,4 →
- 7: 9,3 ↗
- 8: 9,4 ↗

Serie	72,0
Totalt	182,0

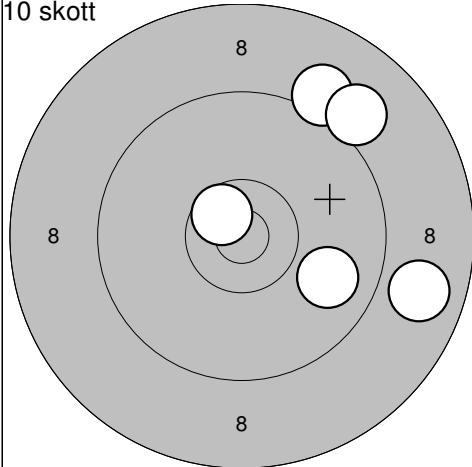
10 skott



- 1: 10,4* ↑
- 2: 10,2 →
- 3: 9,8 ↗
- 4: 9,2 ←
- 5: 9,9 ↑

Serie	47,0
Totalt	229,0

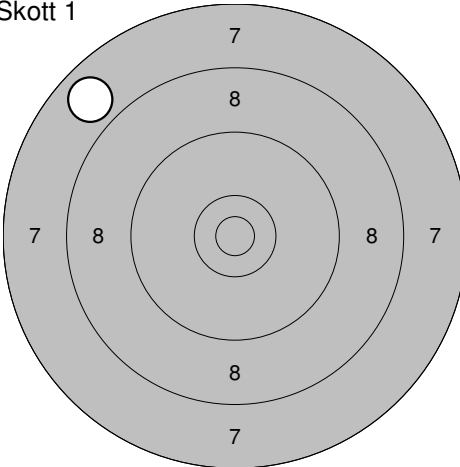
10 skott



- 6: 10,6* ↗
- 7: 9,1 ↗
- 8: 9,9 →
- 9: 9,0 ↗
- 10: 8,8 →

Serie	45,0
Totalt	274,0

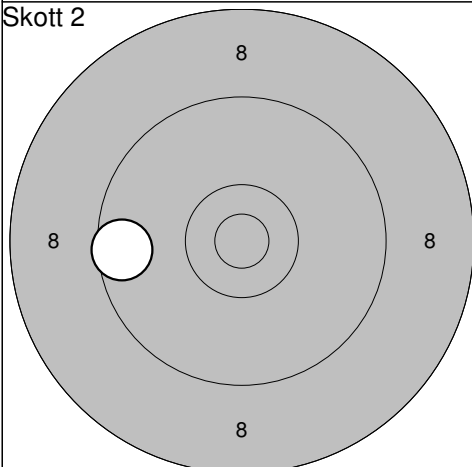
Skott 1



- 1: 7,8 ↖

Serie	7,0
Totalt	281,0

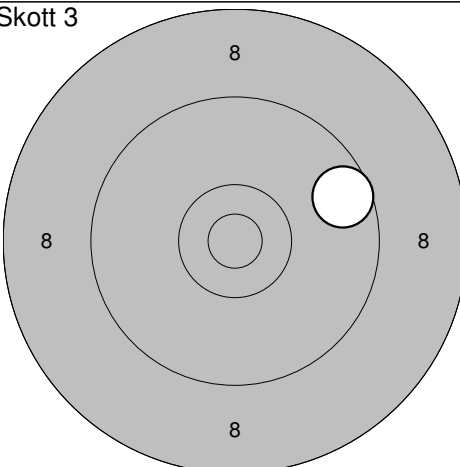
Skott 2



- 1: 9,6 ←

Serie	9,0
Totalt	290,0

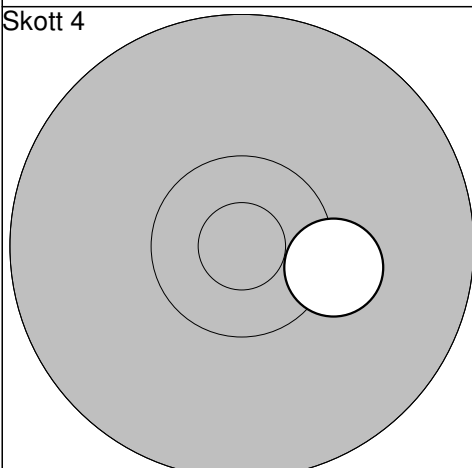
Skott 3



- 1: 9,6 →

Serie	9,0
Totalt	299,0

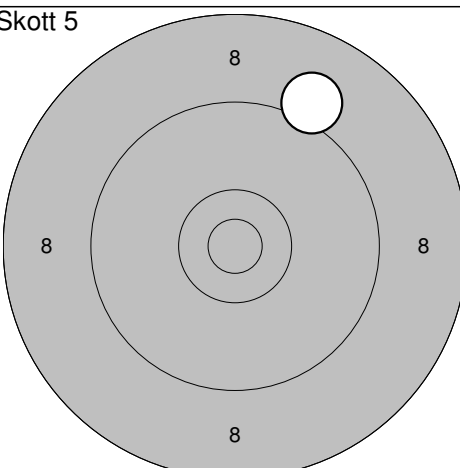
Skott 4



- 1: 10,3 →

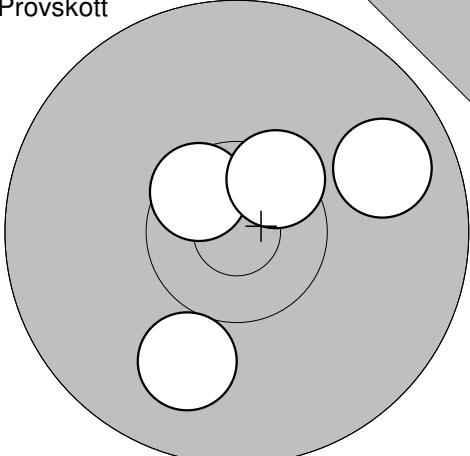
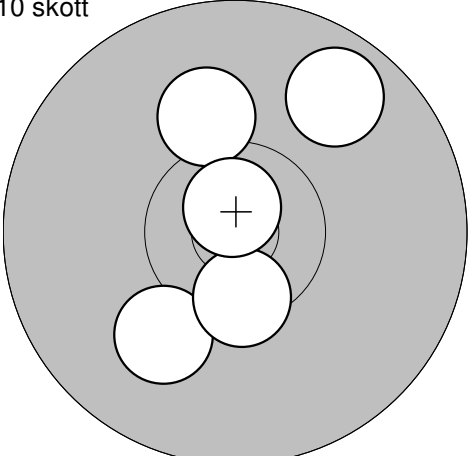
Serie	10,0
Totalt	309,0

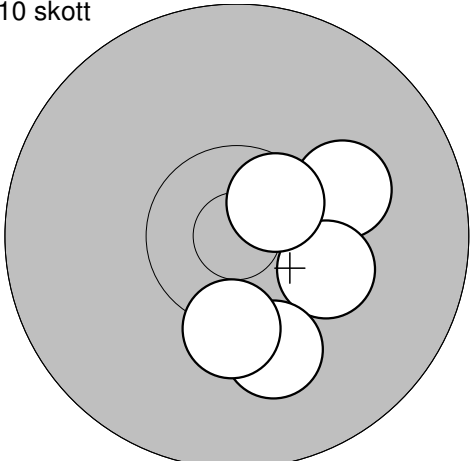
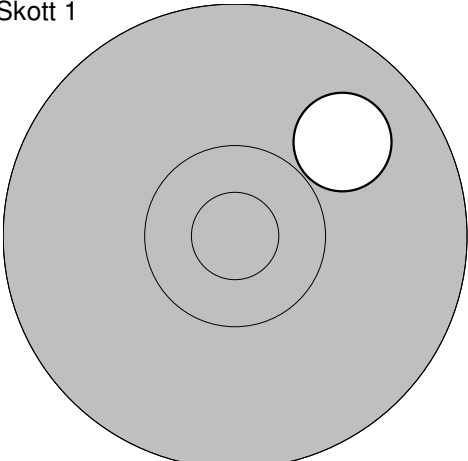
Skott 5

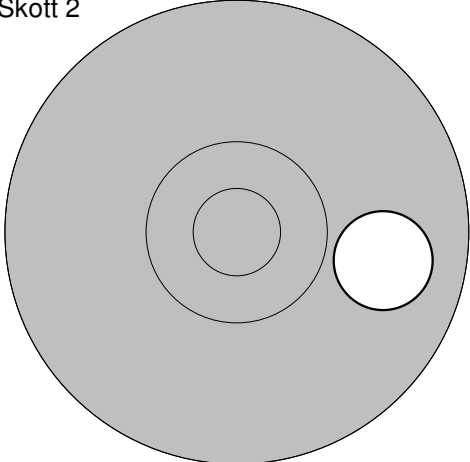
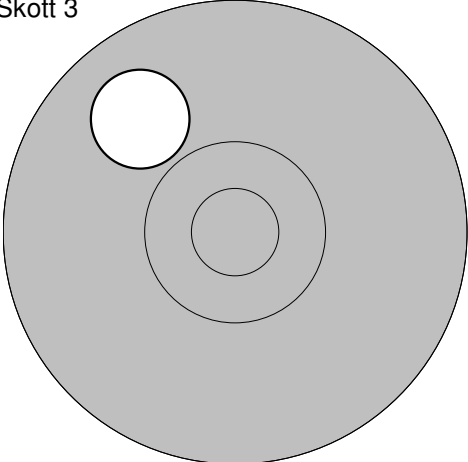


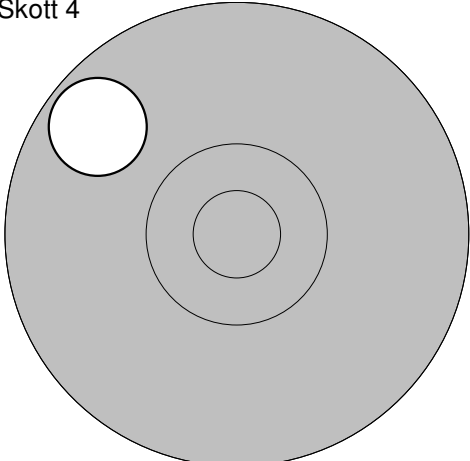
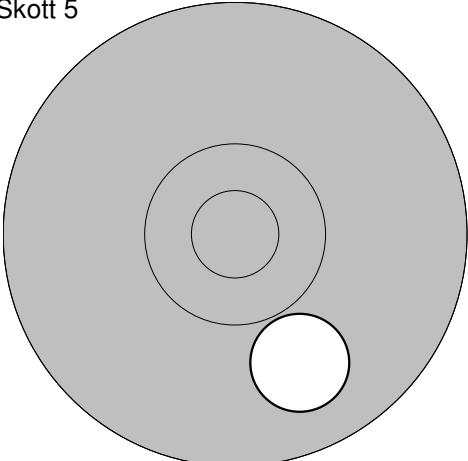
- 1: 9,1 ↗

Serie	9,0
Totalt	318,0

Provsnitt 	1: 10,0 ↓ 2: 10,6* ↖ 3: 9,8 → 4: 10,5* ↗	10 skott 	1: 10,1 ↑ 2: 9,8 ↗ 3: 10,1 ↘ 4: 10,5* ↓ 5: 10,8* ↑
Serie 39,0		Serie 49,0	
Totalt 195,0		Totalt 244,0	

10 skott 	6: 10,1 → 7: 10,3 → 8: 10,1 ↓ 9: 10,3* ↓ 10: 10,6* ↗	Skott 1 	1: 9,9 ↗
Serie 50,0		Serie 9,0	
Totalt 294,0		Totalt 303,0	

Skott 2 	1: 9,9 →	Skott 3 	1: 9,9 ↖
Serie 9,0		Serie 9,0	
Totalt 312,0		Totalt 321,0	

Skott 4 	1: 9,7 ↖	Skott 5 	1: 9,9 ↓
Serie 9,0		Serie 9,0	
Totalt 330,0		Totalt 339,0	

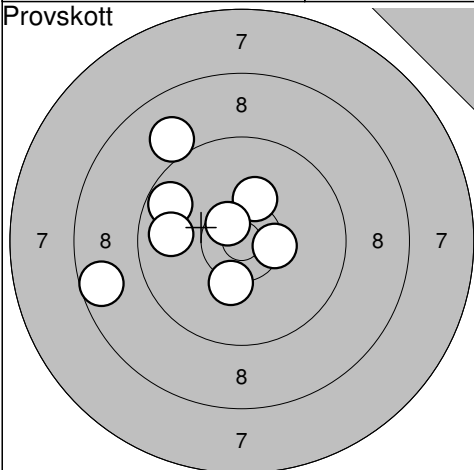
Umeå Skf

2009.08.29

Höstträffen 2009 Final

Ramselefors SKF

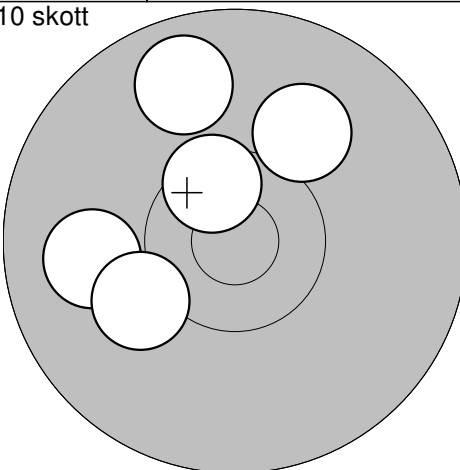
Provskott



- 1: 9,7 ↙
- 2: 10,3 ↗
- 3: 10,3 ↘
- 4: 8,6 ↖
- 5: 9,0 ↗
- 6: 10,4* →
- 7: 9,8 ↖
- 8: 10,6* ↗

Serie	75,0
Totalt	188,0

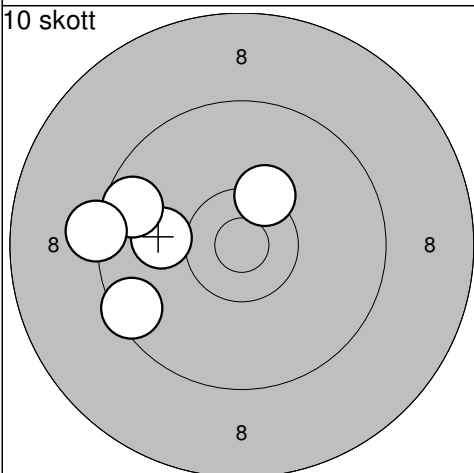
10 skott



- 1: 9,9 ↖
- 2: 10,0 ↗
- 3: 10,5* ↗
- 4: 9,8 ↗
- 5: 10,2 ↖

Serie	48,0
Totalt	236,0

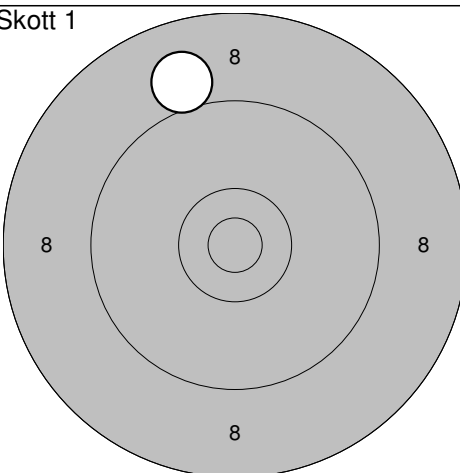
10 skott



- 6: 10,0 ↖
- 7: 9,5 ↖
- 8: 10,3* ↗
- 9: 9,6 ↖
- 10: 9,3 ↖

Serie	47,0
Totalt	283,0

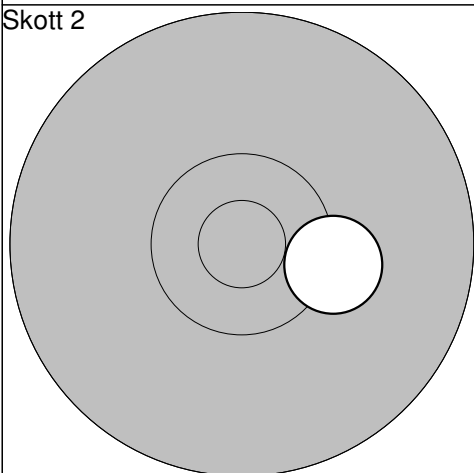
Skott 1



- 1: 9,0 ↗

Serie	9,0
Totalt	292,0

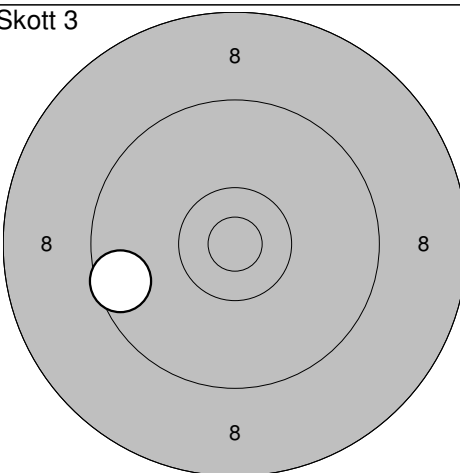
Skott 2



- 1: 10,3 →

Serie	10,0
Totalt	302,0

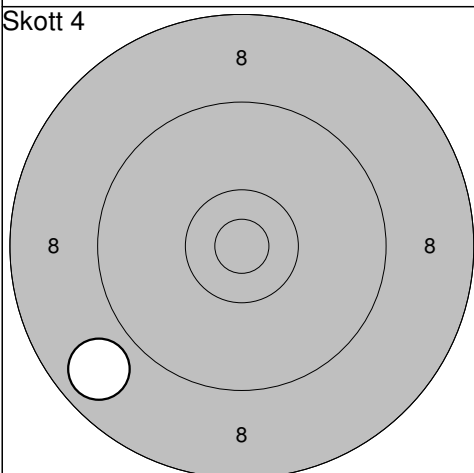
Skott 3



- 1: 9,6 ↖

Serie	9,0
Totalt	311,0

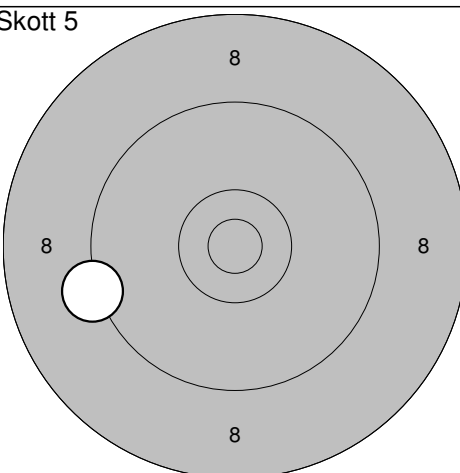
Skott 4



- 1: 8,8 ↖

Serie	8,0
Totalt	319,0

Skott 5



- 1: 9,2 ↖

Serie	9,0
Totalt	328,0

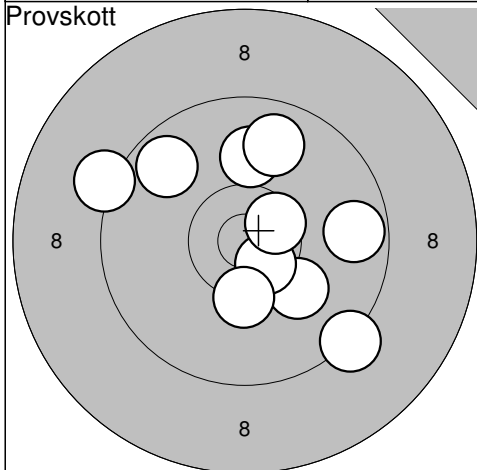
Drängsmarks Skf

2009.08.29

Höstträffen 2009 Final

Ramselefors SKF

Provskott

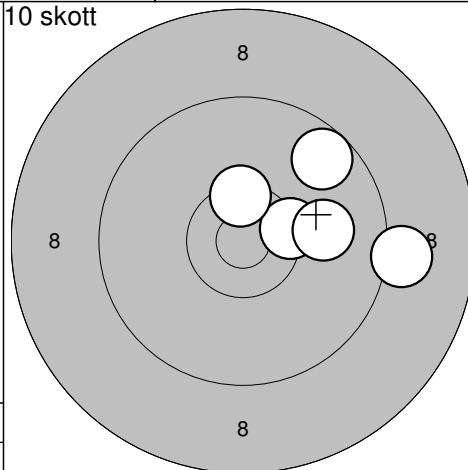


1: 9,3 ↘
 2: 10,1 ↘
 3: 10,6* ↘
 4: 10,0 ↑
 5: 9,7 →
 6: 10,5* ↗
 7: 9,2 ↖
 8: 9,8 ↑
 9: 10,3* ↓
 10: 9,7 ↖

Serie 95,0

Totalt 187,0

10 skott

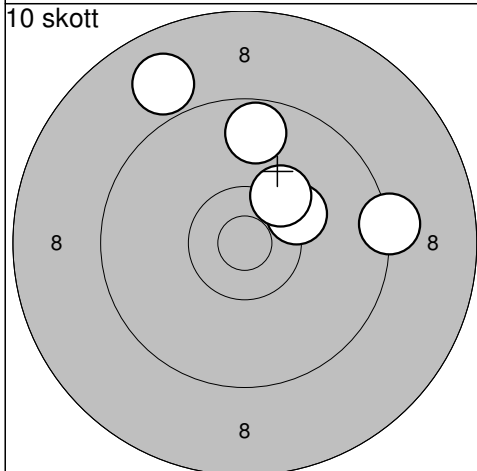


1: 9,1 →
 2: 10,4* →
 3: 10,0 →
 4: 9,7 ↗
 5: 10,4* ↑

Serie 48,0

Totalt 235,0

10 skott

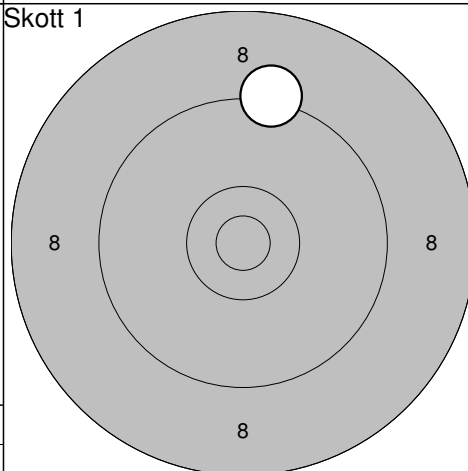


6: 9,3 →
 7: 10,3 ↗
 8: 8,9 ↖
 9: 10,3 ↗
 10: 9,7 ↑

Serie 46,0

Totalt 281,0

Skott 1

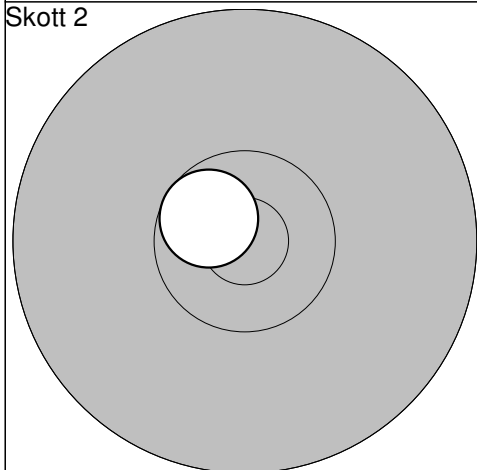


1: 9,3 ↑

Serie 9,0

Totalt 290,0

Skott 2

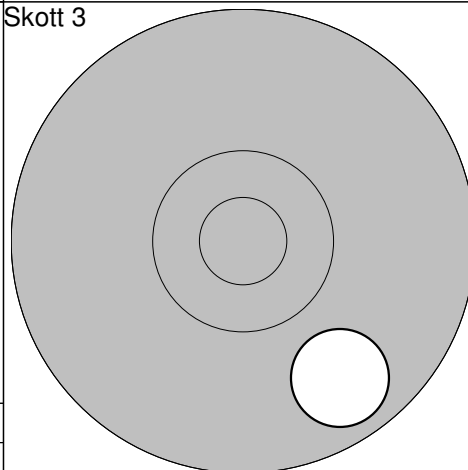


1: 10,7* ↖

Serie 10,0

Totalt 300,0

Skott 3

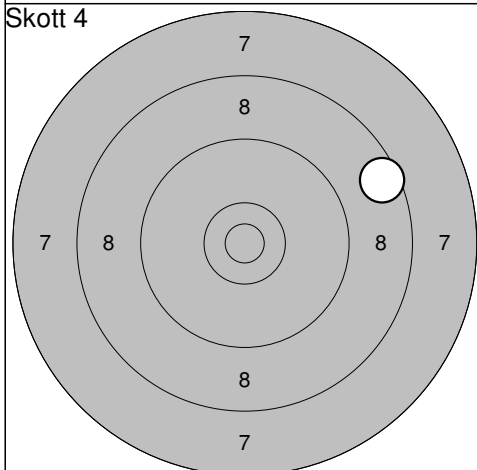


1: 9,8 ↘

Serie 9,0

Totalt 309,0

Skott 4

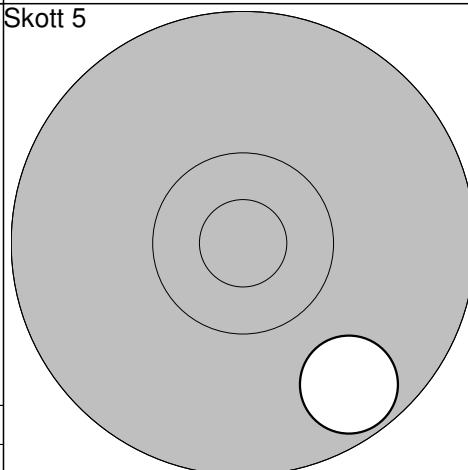


1: 8,6 →

Serie 8,0

Totalt 317,0

Skott 5



1: 9,7 ↘

Serie 9,0

Totalt 326,0

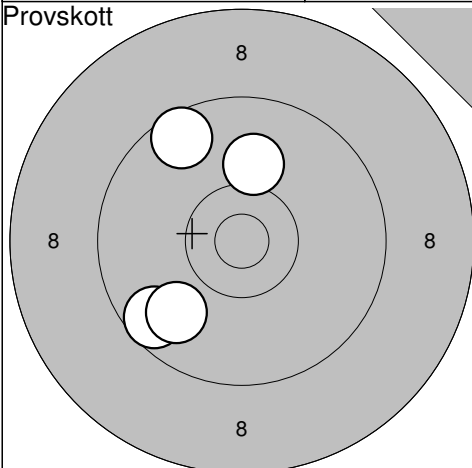
Umeå Skf

2009.08.29

Höstträffen 2009 Final

Ramselefors SKF

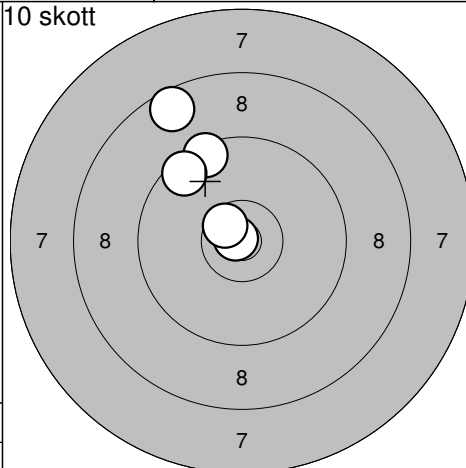
Provskott



1: 9,6 ↙
 2: 9,8 ↙
 3: 9,6 ↗
 4: 10,1 ↑

Serie 37,0
 Totalt 184,0

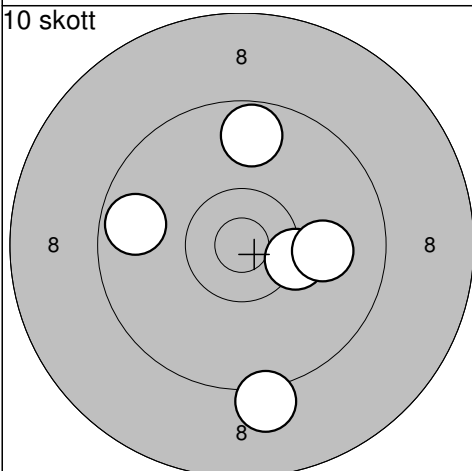
10 skott



1: 9,5 ↗
 2: 9,6 ↗
 3: 10,8* ↗
 4: 8,6 ↗
 5: 10,6* ↗

Serie 46,0
 Totalt 230,0

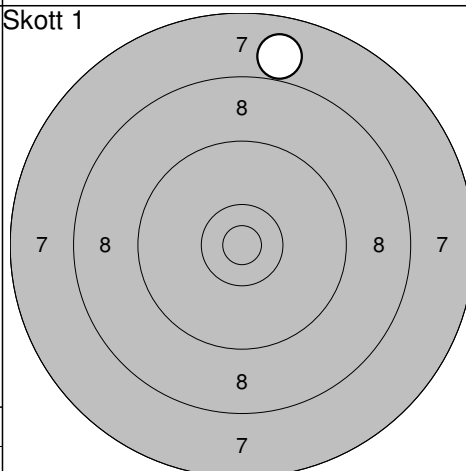
10 skott



6: 10,3* →
 7: 9,7 ↑
 8: 9,7 ←
 9: 10,0 →
 10: 9,1 ↓

Serie 47,0
 Totalt 277,0

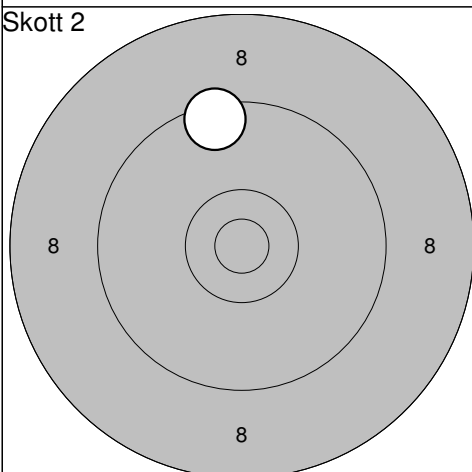
Skott 1



1: 7,9 ↑

Serie 7,0
 Totalt 284,0

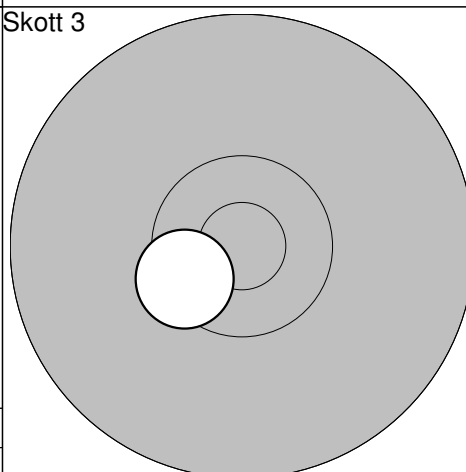
Skott 2



1: 9,5 ↑

Serie 9,0
 Totalt 293,0

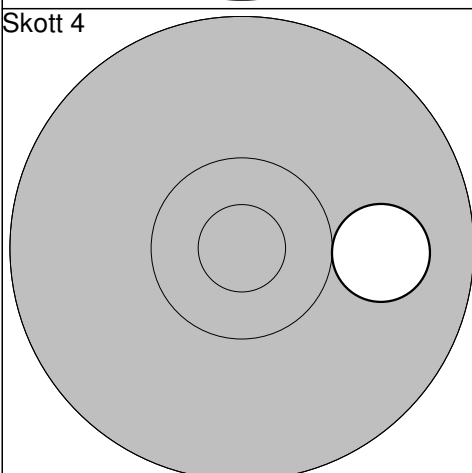
Skott 3



1: 10,5* ↙

Serie 10,0
 Totalt 303,0

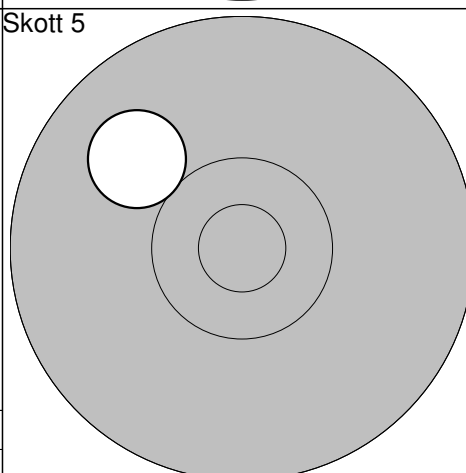
Skott 4



1: 10,0 →

Serie 10,0
 Totalt 313,0

Skott 5

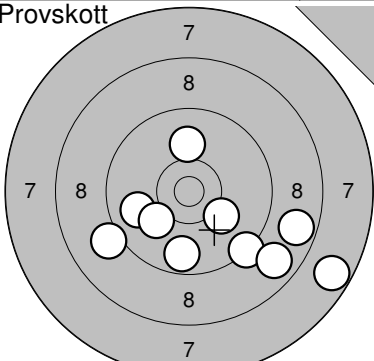
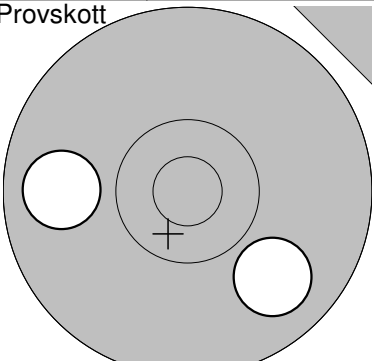


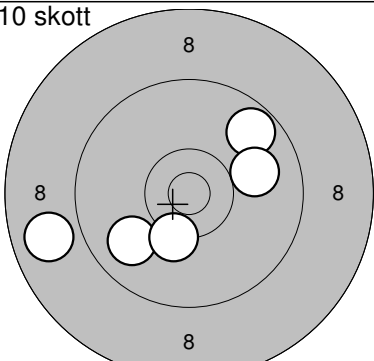
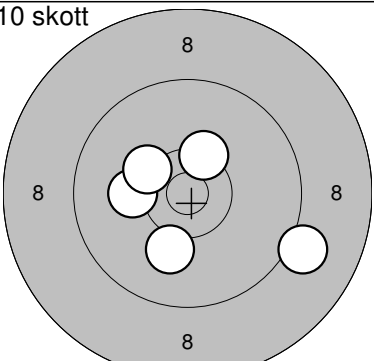
1: 10,0 ↗

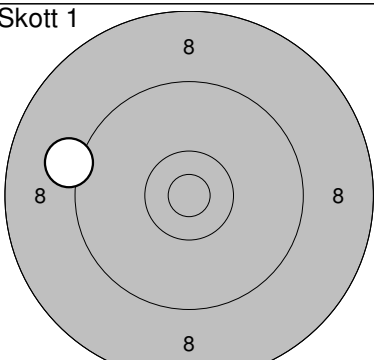
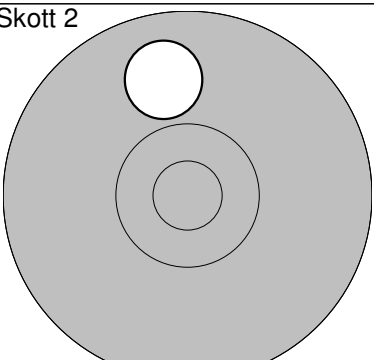
Serie 10,0
 Totalt 323,0

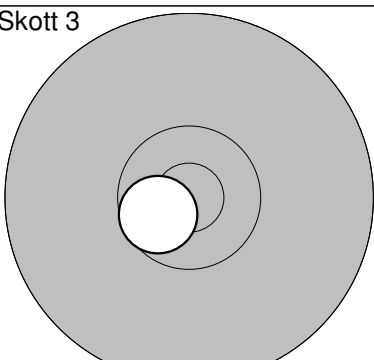
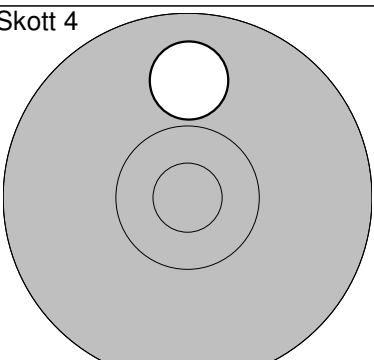
Ramselefors Skf

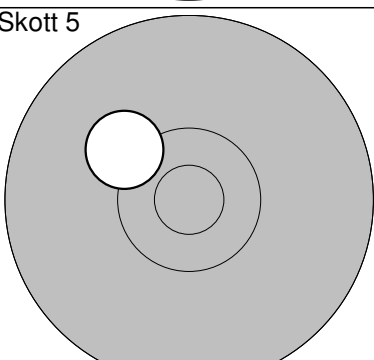
2009.08.29	Höstträffen 2009 Final	Ramselefors SKF
------------	------------------------	-----------------

Provsnitt 	1: 9,3 ↘ 2: 10,1 ↘ 3: 8,7 ↘ 4: 7,7 ↘ 5: 8,8 ↘ 6: 10,0 ↗ 7: 9,9 ← 8: 9,1 ← 9: 10,1 ↘ 10: 9,7 ↓ <hr/> Serie 89,0 Totalt 181,0	Provsnitt 	11: 9,8 ← 12: 9,9 ↘ <hr/> Serie 18,0 Totalt 181,0
---	--	---	--

10 skott 	1: 8,8 ← 2: 9,9 ← 3: 9,7 ↗ 4: 10,3 ↘ 5: 10,0 → <hr/> Serie 46,0 Totalt 227,0	10 skott 	6: 10,2 ← 7: 9,1 → 8: 10,4* ↗ 9: 10,1 ↘ 10: 10,3 ↖ <hr/> Serie 49,0 Totalt 276,0
--	--	--	--

Skott 1 	1: 9,2 ← <hr/> Serie 9,0 Totalt 285,0	Skott 2 	1: 9,9 ↑ <hr/> Serie 9,0 Totalt 294,0
--	---	--	---

Skott 3 	1: 10,6* ← <hr/> Serie 10,0 Totalt 304,0	Skott 4 	1: 9,9 ↑ <hr/> Serie 9,0 Totalt 313,0
---	--	---	---

Skott 5 	1: 10,2 ↖ <hr/> Serie 10,0 Totalt 323,0		
---	---	--	--

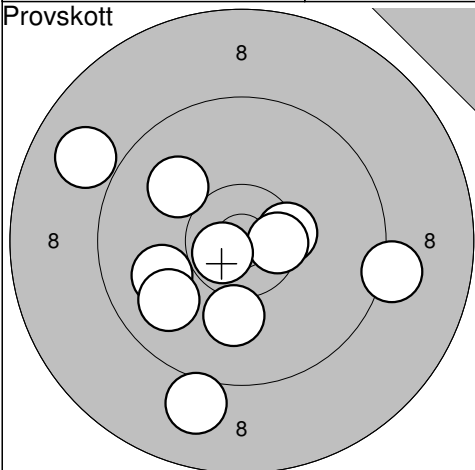
Ramselefors Skf

2009.08.29

Höstträffen 2009 Final

Ramselefors SKF

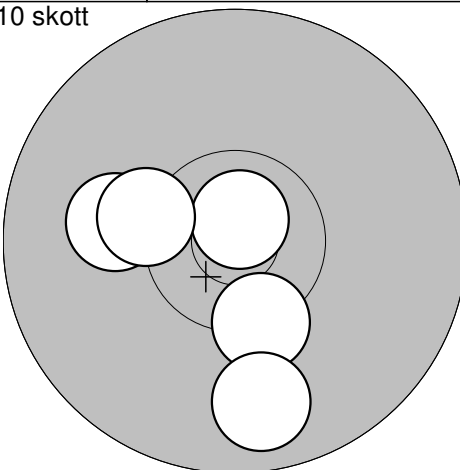
Provskott



- 1: 9,0 ↓
- 2: 10,4* →
- 3: 10,0 ↗
- 4: 8,9 ↗
- 5: 10,5* →
- 6: 10,0 ←
- 7: 10,7* ←
- 8: 10,1 ↓
- 9: 9,9 ←
- 10: 9,2 →

Serie	95,0
Totalt	187,0

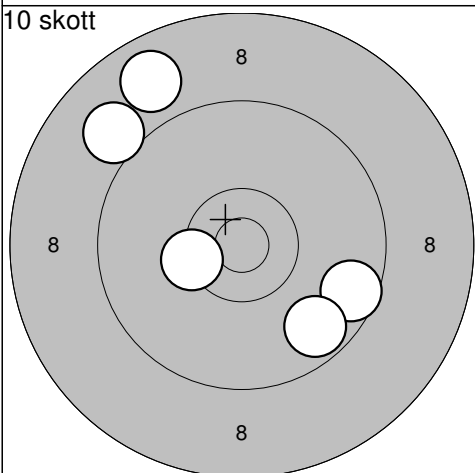
10 skott



- 1: 10,1 ←
- 2: 10,3* ↓
- 3: 10,8* ↑
- 4: 10,3* ←
- 5: 9,8 ↓

Serie	49,0
Totalt	236,0

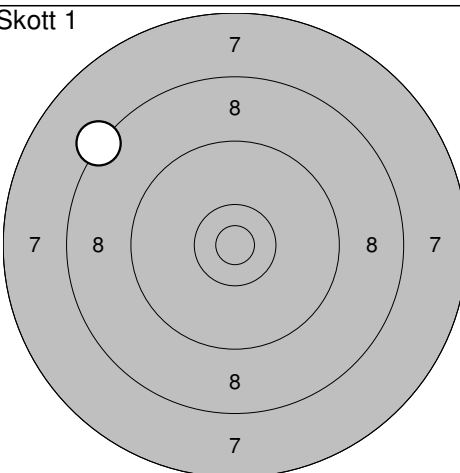
10 skott



- 6: 9,6 →
- 7: 9,0 ↗
- 8: 8,8 ↗
- 9: 10,4* ←
- 10: 9,7 ↓

Serie	45,0
Totalt	281,0

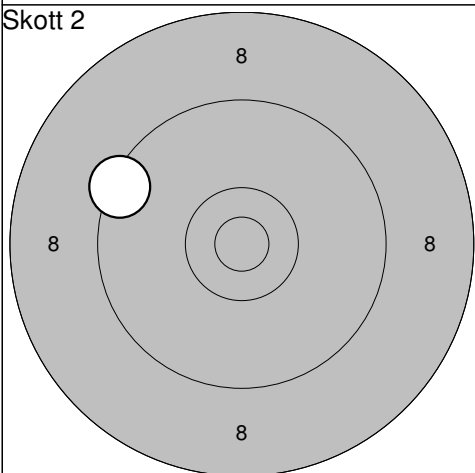
Skott 1



- 1: 8,3 ↗

Serie	8,0
Totalt	289,0

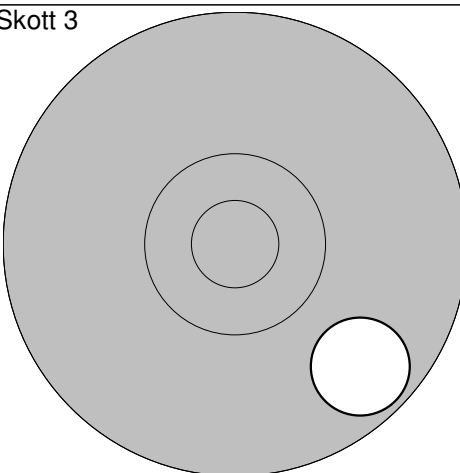
Skott 2



- 1: 9,4 ←

Serie	9,0
Totalt	298,0

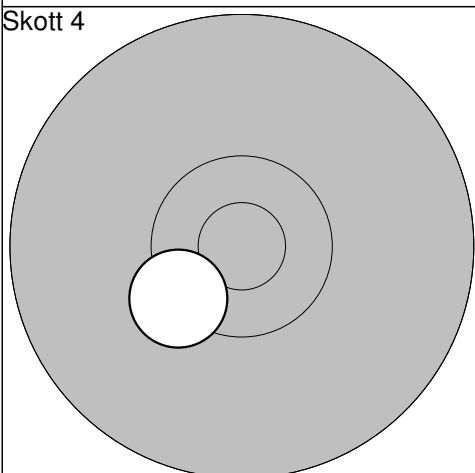
Skott 3



- 1: 9,7 ↓

Serie	9,0
Totalt	307,0

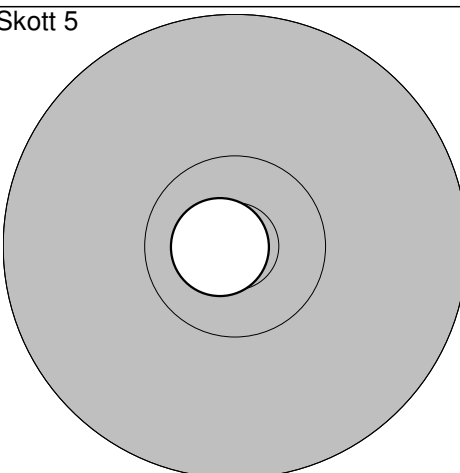
Skott 4



- 1: 10,4* ←

Serie	10,0
Totalt	317,0

Skott 5



- 1: 10,8* ←

Serie	10,0
Totalt	327,0

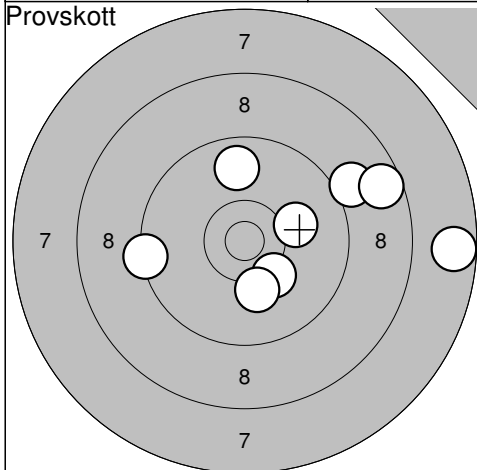
Umeå Skf

2009.08.29

Höstträffen 2009 Final

Ramselefors SKF

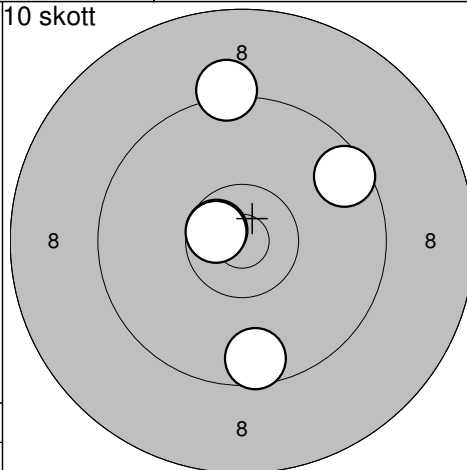
Provskott



1: 7,7 →
 2: 9,1 ↗
 3: 10,1 →
 4: 9,4 ←
 5: 10,2 ↘
 6: 9,8 ↑
 7: 8,6 →
 8: 10,2 ↓

Serie 72,0
 Totalt 187,0

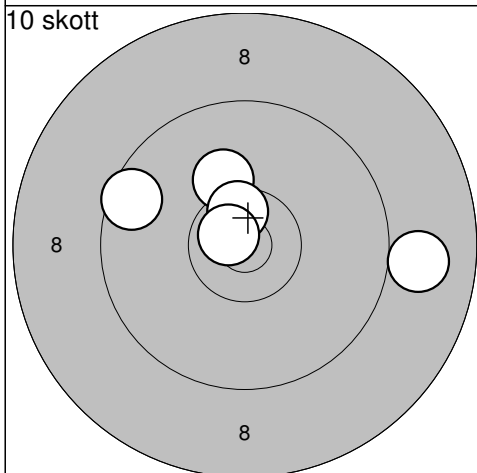
10 skott



1: 10,6* ←
 2: 9,6 ↗
 3: 9,6 ↓
 4: 10,6* ←
 5: 9,2 ↑

Serie 47,0
 Totalt 234,0

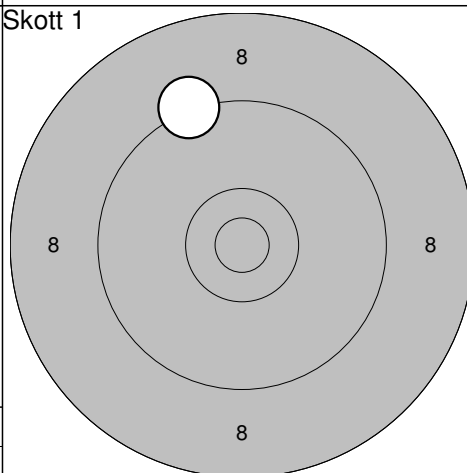
10 skott



6: 10,2 ↑
 7: 10,6* ↑
 8: 9,6 ↖
 9: 9,0 →
 10: 10,7* ↗

Serie 48,0
 Totalt 282,0

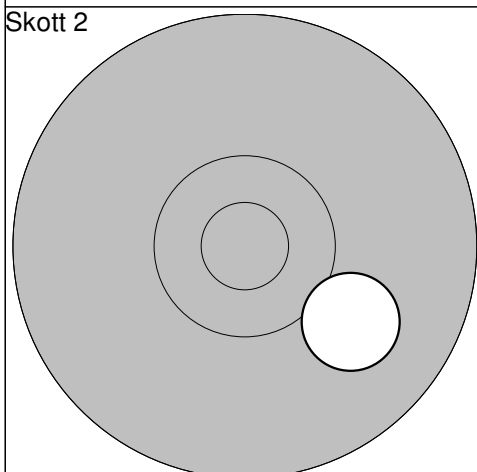
Skott 1



1: 9,3 ↖

Serie 9,0
 Totalt 291,0

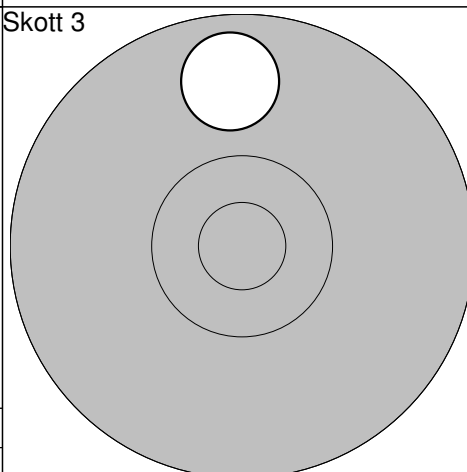
Skott 2



1: 10,0 ↘

Serie 10,0
 Totalt 301,0

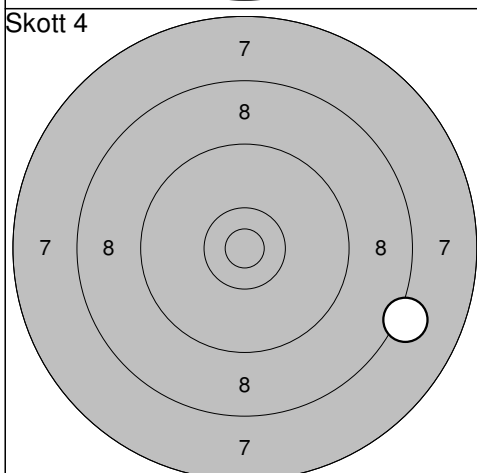
Skott 3



1: 9,8 ↑

Serie 9,0
 Totalt 310,0

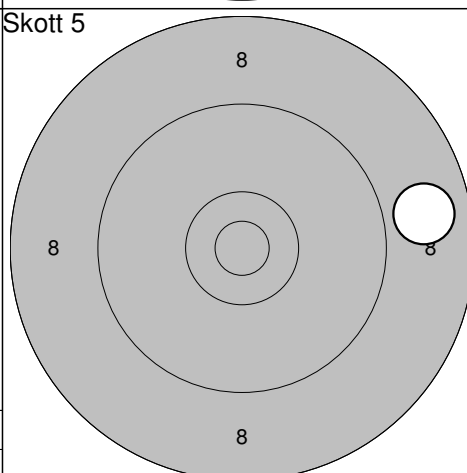
Skott 4



1: 8,2 ↘

Serie 8,0
 Totalt 318,0

Skott 5



1: 8,8 →

Serie 8,0
 Totalt 326,0

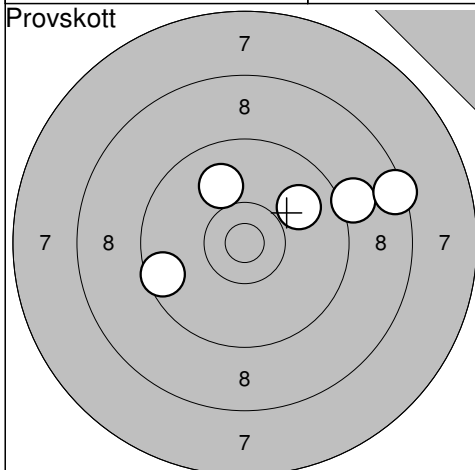
Ramselefors Skf

2009.08.29

Höstträffen 2009 Final

Ramselefors SKF

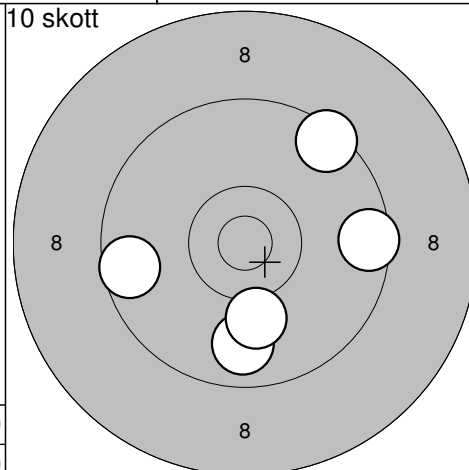
Provskott



1: 9,9 ↗
 2: 9,1 →
 3: 9,6 ←
 4: 8,4 →
 5: 10,0 ↗

Serie 45,0
 Totalt 186,0

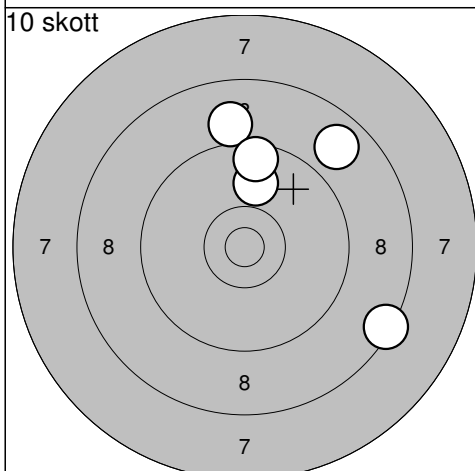
10 skott



1: 9,8 ↓
 2: 9,5 →
 3: 9,6 ←
 4: 9,5 ↗
 5: 10,1 ↓

Serie 46,0
 Totalt 232,0

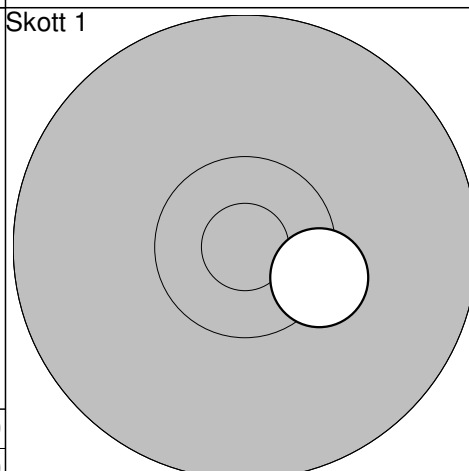
10 skott



6: 9,9 ↑
 7: 8,8 ↗
 8: 8,4 ↘
 9: 9,0 ↑
 10: 9,6 ↑

Serie 43,0
 Totalt 275,0

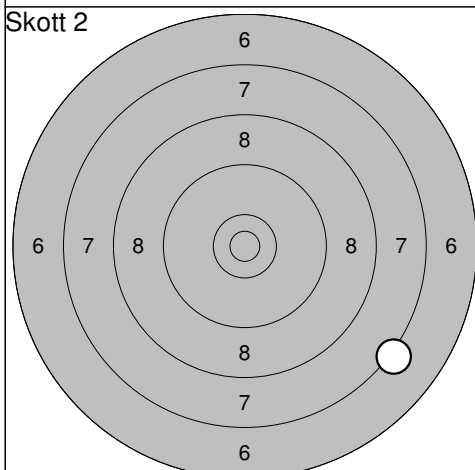
Skott 1



1: 10,4* →

Serie 10,0
 Totalt 285,0

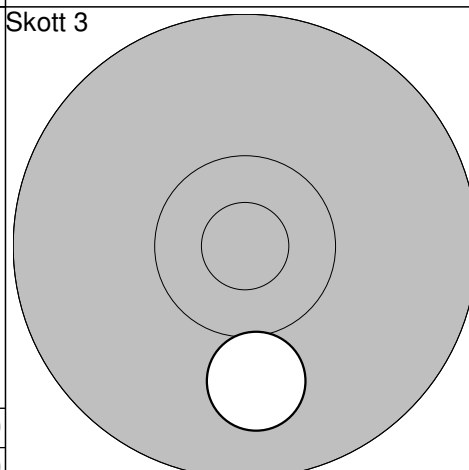
Skott 2



1: 7,2 ↘

Serie 7,0
 Totalt 292,0

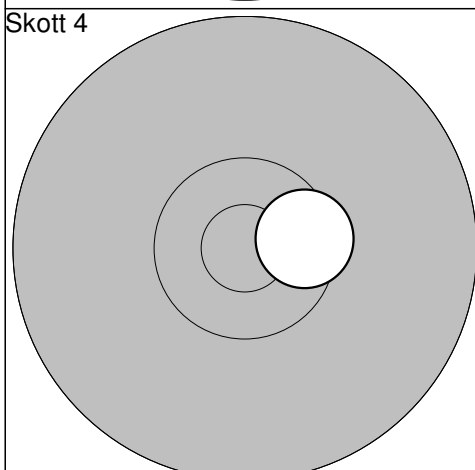
Skott 3



1: 10,0 ↓

Serie 10,0
 Totalt 302,0

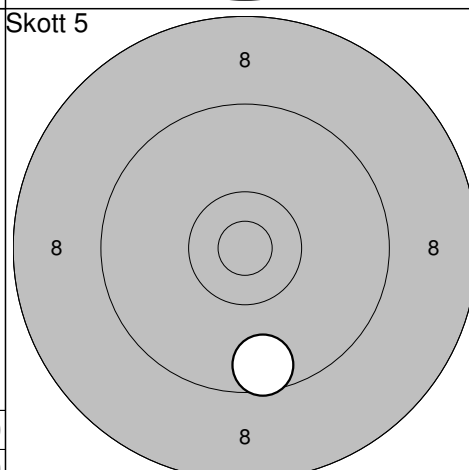
Skott 4



1: 10,5* →

Serie 10,0
 Totalt 312,0

Skott 5



1: 9,6 ↓

Serie 9,0
 Totalt 321,0

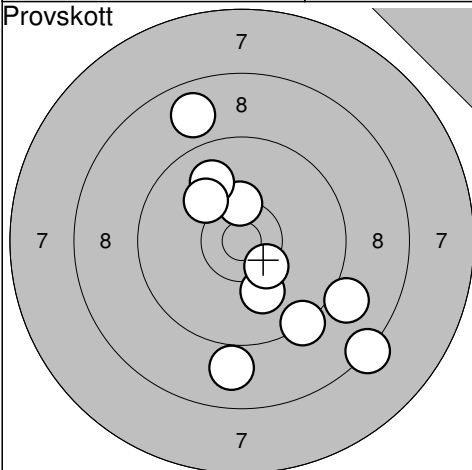
Umeå Skf

2009.08.29

Höstträffen 2009 Final

Ramselefors SKF

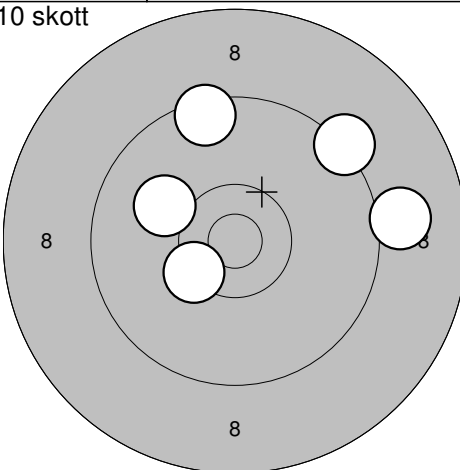
Provskott



- 1: 10,4* ↑
- 2: 8,3 ↓
- 3: 9,0 ↓
- 4: 9,3 ↓
- 5: 10,1 ↓
- 6: 8,9 ↓
- 7: 8,8 ↗
- 8: 10,4* ↓
- 9: 9,9 ↗
- 10: 10,1 ↗

Serie	91,0
Totalt	186,0

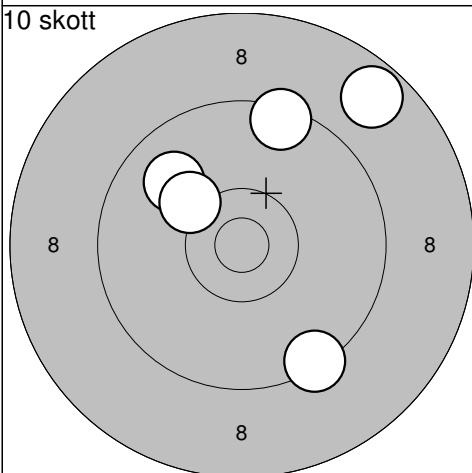
10 skott



- 1: 10,4* ↙
- 2: 9,0 →
- 3: 9,3 ↗
- 4: 9,5 ↑
- 5: 10,1 ↙

Serie	47,0
Totalt	233,0

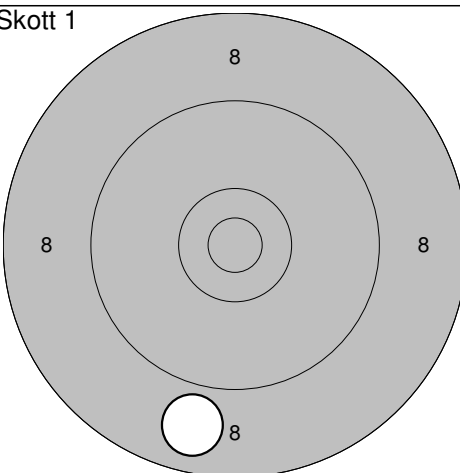
10 skott



- 6: 8,7 ↗
- 7: 9,4 ↓
- 8: 9,5 ↑
- 9: 9,9 ↗
- 10: 10,2 ↗

Serie	45,0
Totalt	278,0

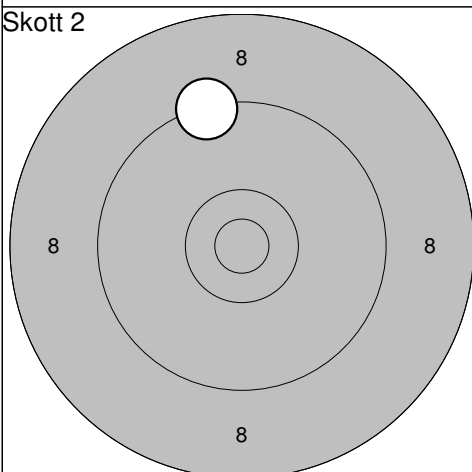
Skott 1



- 1: 8,8 ↓

Serie	8,0
Totalt	286,0

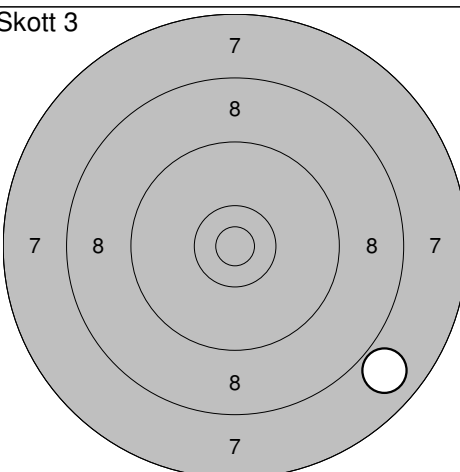
Skott 2



- 1: 9,3 ↑

Serie	9,0
Totalt	295,0

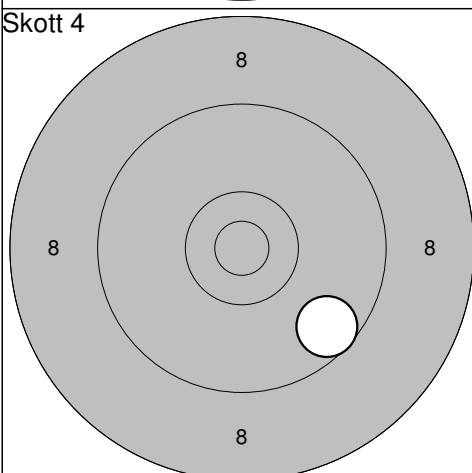
Skott 3



- 1: 7,9 ↘

Serie	7,0
Totalt	302,0

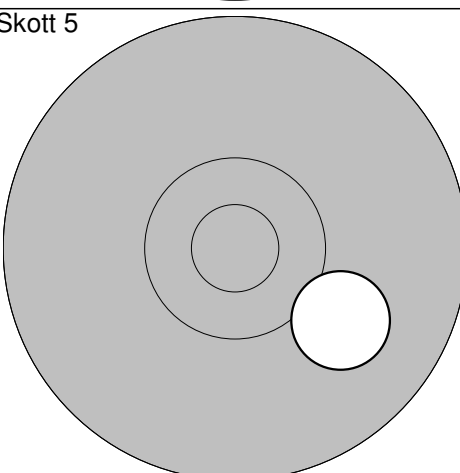
Skott 4



- 1: 9,6 ↘

Serie	9,0
Totalt	311,0

Skott 5



- 1: 10,0 ↘

Serie	10,0
Totalt	321,0

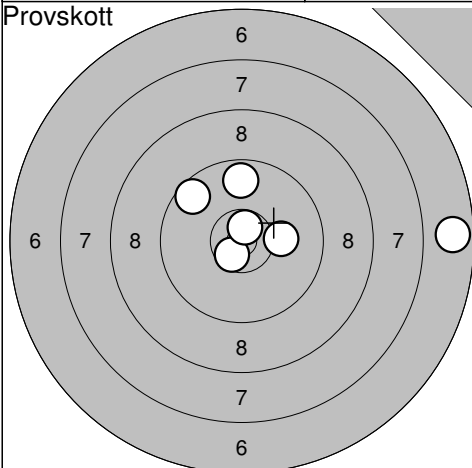
Vännäs Skf

2009.08.29

Höstträffen 2009 Final

Ramselefors SKF

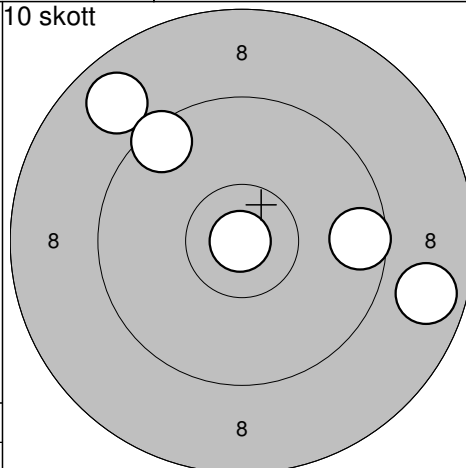
Provskott



1: 6,7 →
 2: 9,7 ↑
 3: 9,6 ↗
 4: 10,6* ↘
 5: 10,7* ↑
 6: 10,2 →

Serie 54,0
 Totalt 179,0

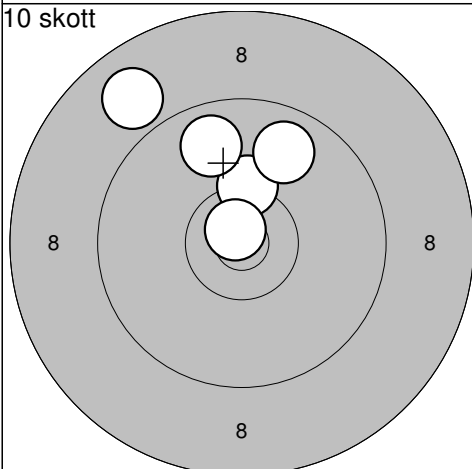
10 skott



1: 10,9* ←
 2: 8,8 ↘
 3: 8,8 ↗
 4: 9,6 →
 5: 9,5 ↗

Serie 44,0
 Totalt 223,0

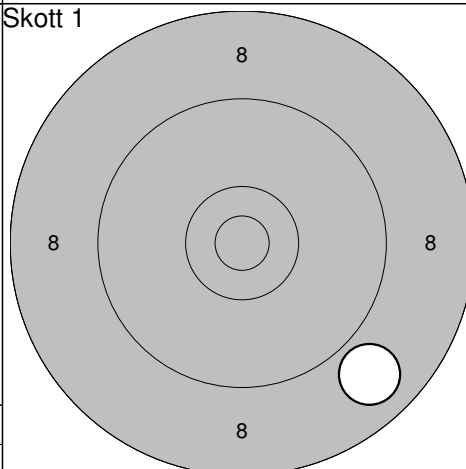
10 skott



6: 10,3* ↑
 7: 9,8 ↑
 8: 10,8* ↑
 9: 9,8 ↗
 10: 8,9 ↗

Serie 46,0
 Totalt 269,0

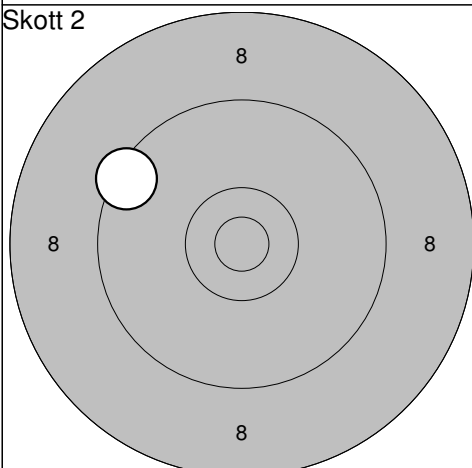
Skott 1



1: 8,9 ↘

Serie 8,0
 Totalt 277,0

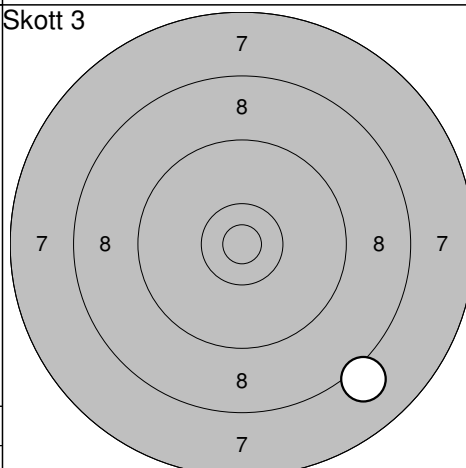
Skott 2



1: 9,4 ↖

Serie 9,0
 Totalt 286,0

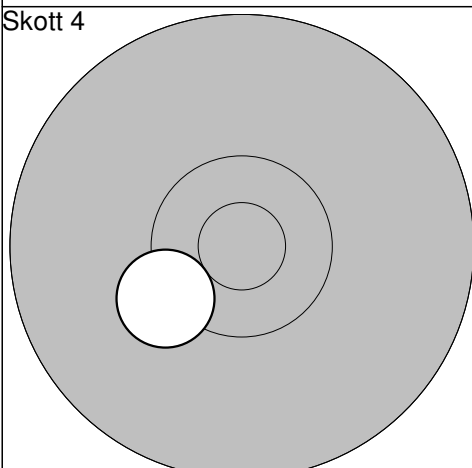
Skott 3



1: 8,1 ↘

Serie 8,0
 Totalt 294,0

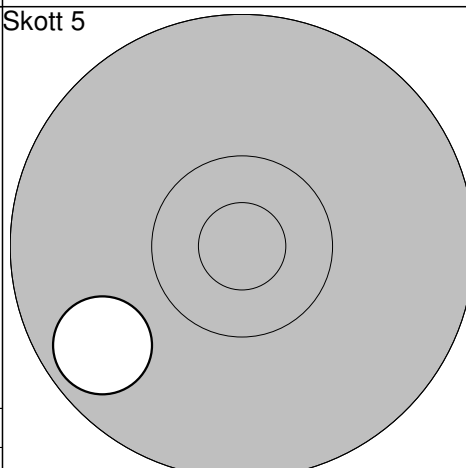
Skott 4



1: 10,3* ↖

Serie 10,0
 Totalt 304,0

Skott 5



1: 9,7 ↖

Serie 9,0
 Totalt 313,0

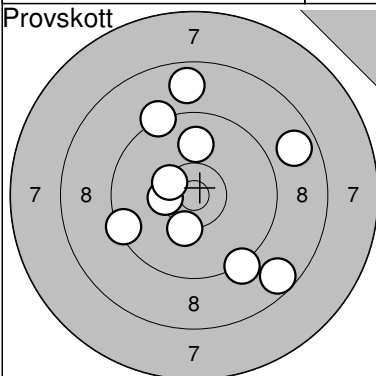
Drängsmarks Skf

2009.08.29

Höstträffen 2009 Final

Ramselefors SKF

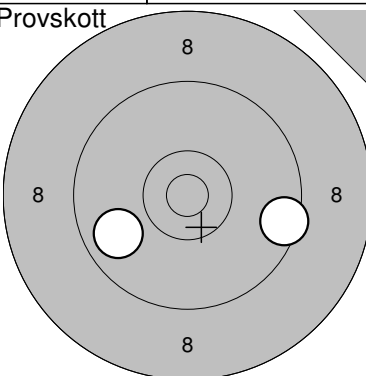
Provskott



1: 8,8 →
 2: 8,6 ↘
 3: 10,4* ←
 4: 9,3 ↗
 5: 10,3 ↘
 6: 9,4 ←
 7: 9,9 ↗
 8: 10,4* ↗
 9: 9,3 ↘
 10: 8,8 ↗

Serie 90,0
 Totalt 178,0

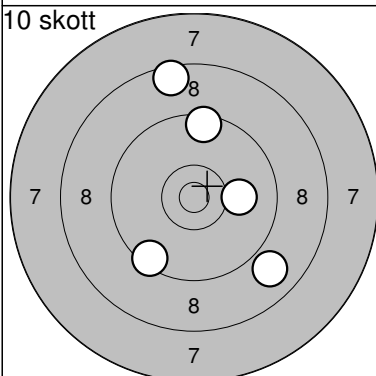
Provskott



11: 9,5 →
 12: 9,8 ↖

Serie 18,0
 Totalt 178,0

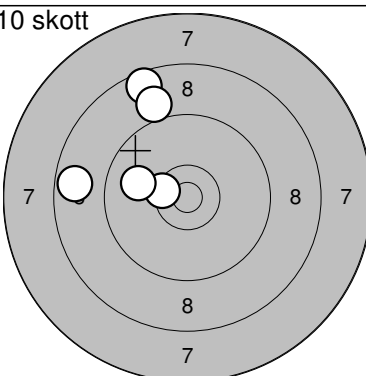
10 skott



1: 8,6 ↑
 2: 10,0 →
 3: 9,5 ↘
 4: 9,5 ↗
 5: 8,9 ↘

Serie 44,0
 Totalt 222,0

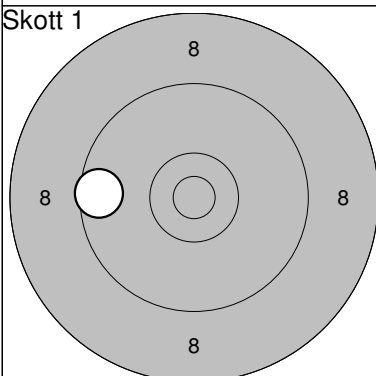
10 skott



6: 8,6 ↑
 7: 9,0 ↑
 8: 10,4* ←
 9: 8,7 ←
 10: 9,9 ↖

Serie 44,0
 Totalt 266,0

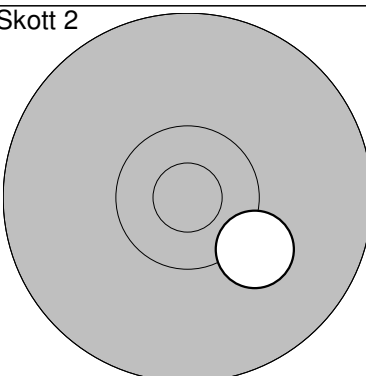
Skott 1



1: 9,6 ←

Serie 9,0
 Totalt 275,0

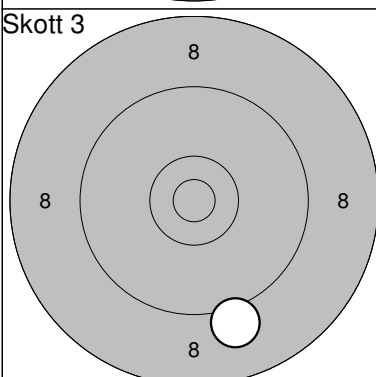
Skott 2



1: 10,2 ↘

Serie 10,0
 Totalt 285,0

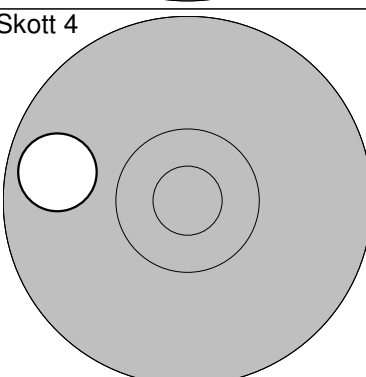
Skott 3



1: 9,1 ↘

Serie 9,0
 Totalt 294,0

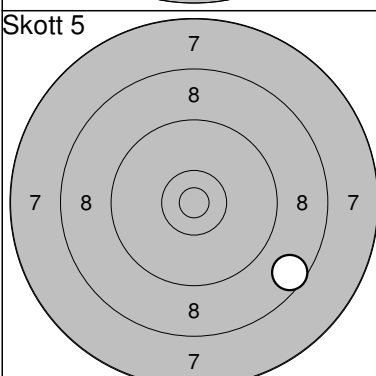
Skott 4



1: 9,8 ←

Serie 9,0
 Totalt 303,0

Skott 5



1: 8,6 ↘

Serie 8,0
 Totalt 311,0

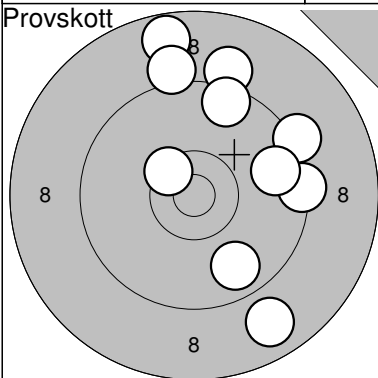
Rundviks Skf

2009.08.29

Höstträffen 2009 Final

Ramselefors SKF

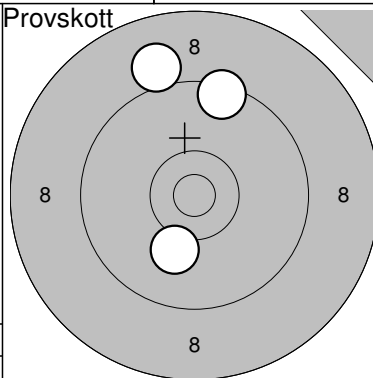
Provskott



1: 9,3 →
 2: 9,4 →
 3: 9,8 ↘
 4: 8,7 ↘
 5: 10,5* ↗
 6: 9,1 ↗
 7: 9,1 ↗
 8: 9,5 ↗
 9: 9,7 →
 10: 8,8 ↘

Serie 89,0
 Totalt 172,0

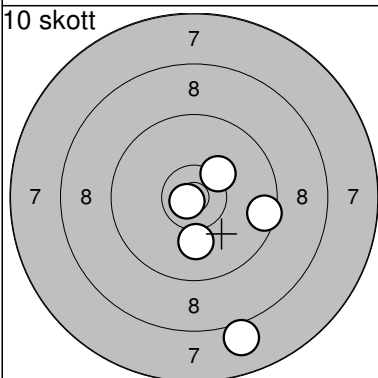
Provskott



11: 9,0 ↑
 12: 10,1 ↓
 13: 9,5 ↑

Serie 28,0
 Totalt 172,0

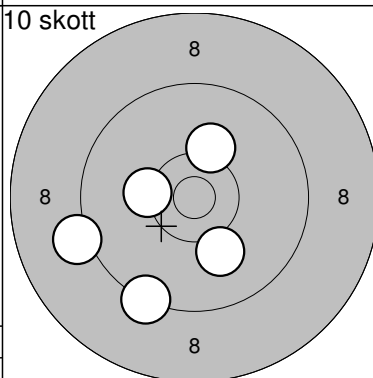
10 skott



1: 9,5 →
 2: 10,1 ↓
 3: 10,3* ↗
 4: 10,8* ↘
 5: 8,0 ↘

Serie 47,0
 Totalt 219,0

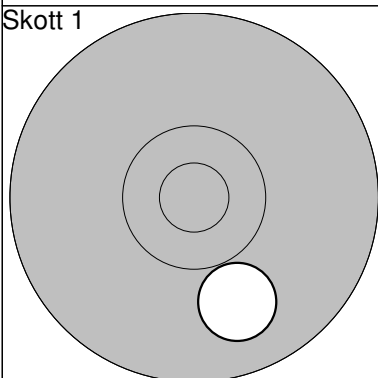
10 skott



6: 10,2 ↑
 7: 9,3 ↓
 8: 10,1 ↓
 9: 10,3 ←
 10: 9,2 ←

Serie 48,0
 Totalt 267,0

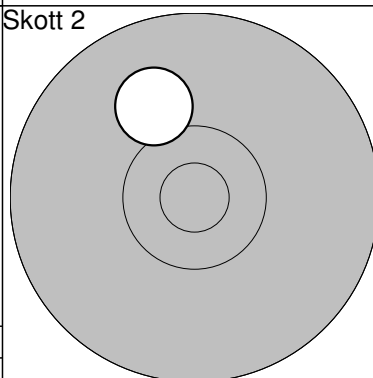
Skott 1



1: 9,9 ↓

Serie 9,0
 Totalt 276,0

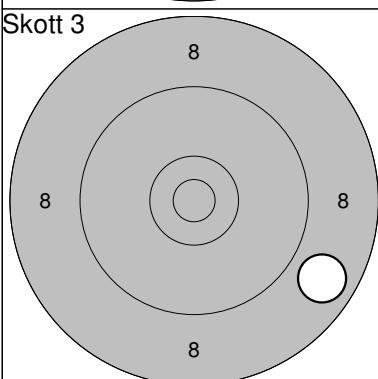
Skott 2



1: 10,1 ↑

Serie 10,0
 Totalt 286,0

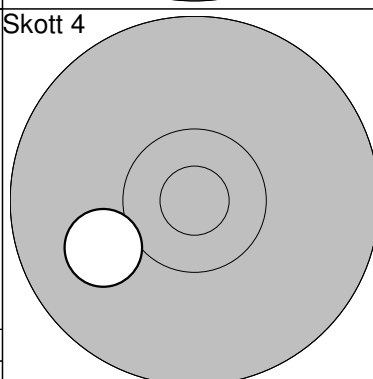
Skott 3



1: 8,8 ↘

Serie 8,0
 Totalt 294,0

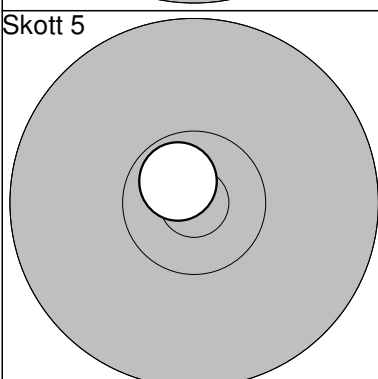
Skott 4



1: 10,0 ←

Serie 10,0
 Totalt 304,0

Skott 5



1: 10,7* ↗

Serie 10,0
 Totalt 314,0

Skjutlag

Tavla

3

1

Marlene Forsell

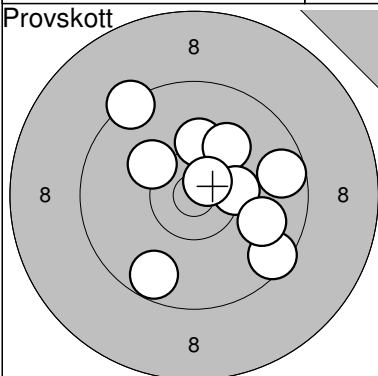
Ramselefors Skf

2009.08.29

Höstträffen 2009 Final

Ramselefors SKF

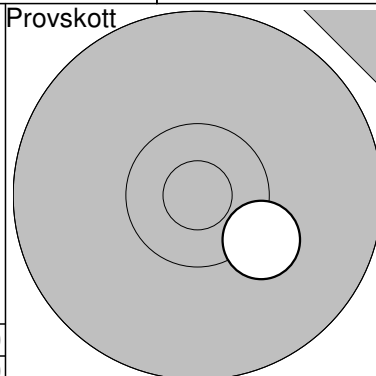
Provskott



1: 9,4 ↗
 2: 10,2 ↗
 3: 9,5 ↘
 4: 9,7 →
 5: 10,1 ↗
 6: 10,3* →
 7: 10,2 ↗
 8: 9,9 ↘
 9: 10,7* ↗
 10: 9,7 ↘

Serie 95,0
 Totalt 181,0

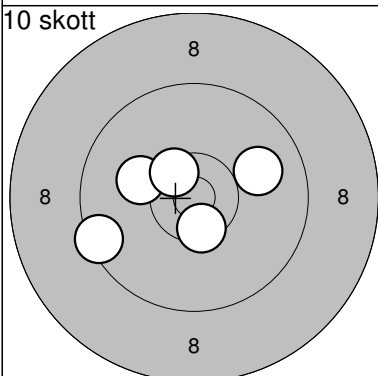
Provskott



11: 10,3 ↘

Serie 10,0
 Totalt 181,0

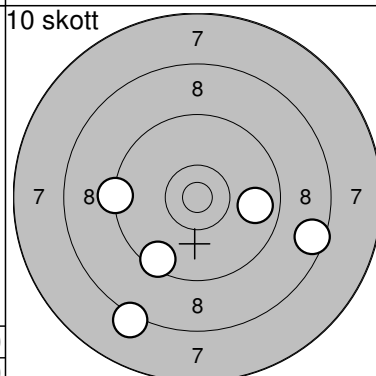
10 skott



1: 10,0 →
 2: 9,5 ↖
 3: 10,1 ↗
 4: 10,5* ↗
 5: 10,5* ↘

Serie 49,0
 Totalt 230,0

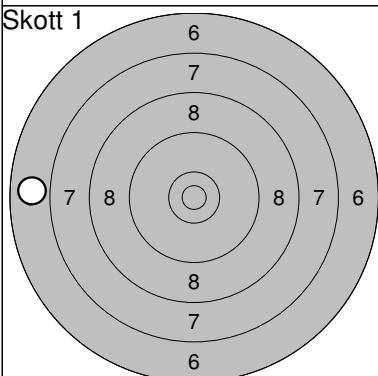
10 skott



6: 9,8 →
 7: 8,5 →
 8: 9,3 ←
 9: 8,2 ↘
 10: 9,5 ↘

Serie 43,0
 Totalt 273,0

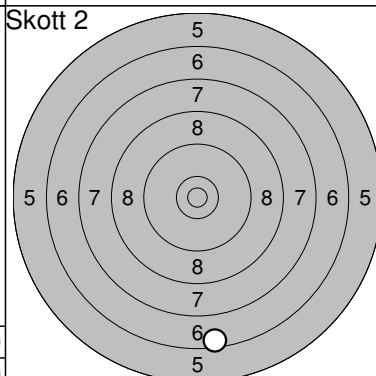
Skott 1



1: 6,9 ←

Serie 6,0
 Totalt 279,0

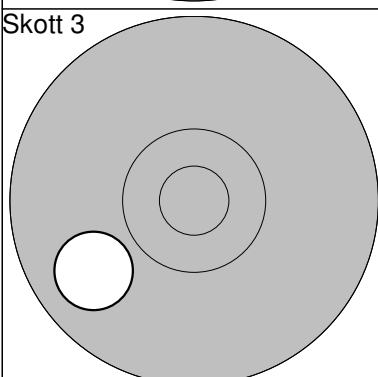
Skott 2



1: 6,5 ↓

Serie 6,0
 Totalt 285,0

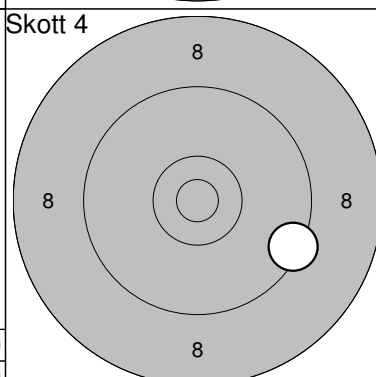
Skott 3



1: 9,9 ↖

Serie 9,0
 Totalt 294,0

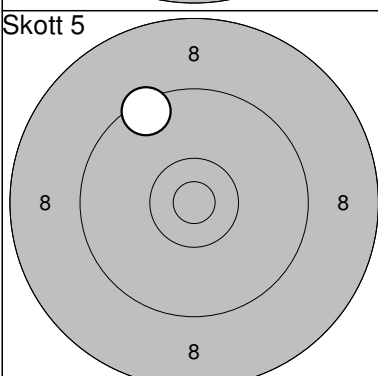
Skott 4



1: 9,4 →

Serie 9,0
 Totalt 303,0

Skott 5

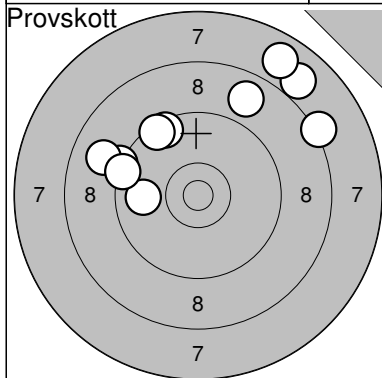


1: 9,5 ↗

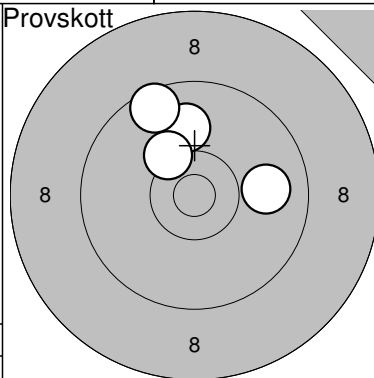
Serie 9,0
 Totalt 312,0

Ramselefors Skf

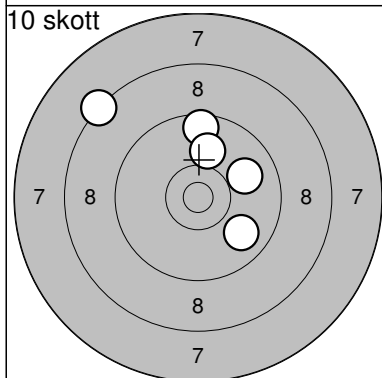
2009.08.29	Höstträffen 2009 Final	Ramselefors SKF
------------	------------------------	-----------------



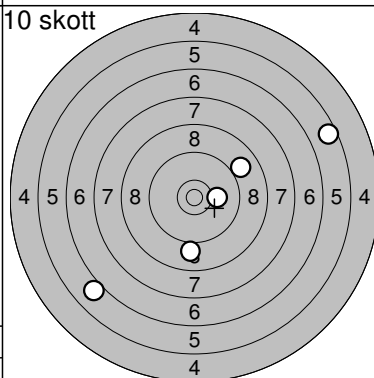
1:	8,2	→
2:	7,9	↗
3:	7,8	↗
4:	8,8	↗
5:	9,3	↗
6:	9,5	↗
7:	9,5	↗
8:	9,9	↖
9:	8,9	↗
10:	9,4	↗
Serie		83,0
Totalt		167,0



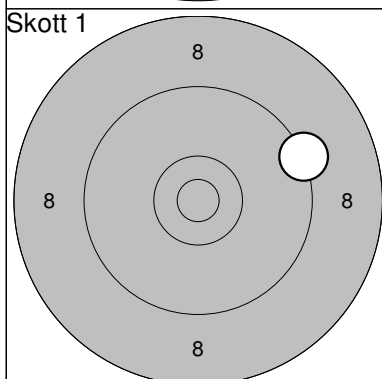
11:	10,0	↑
12:	9,6	↗
13:	9,9	→
14:	10,3	↗
Serie		38,0
Totalt		167,0



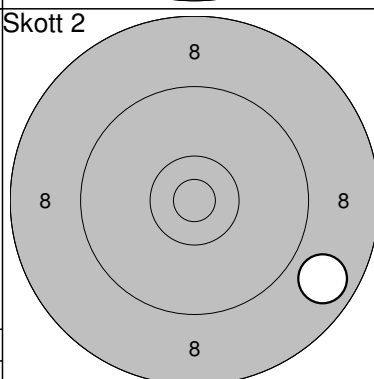
1:	9,9	→
2:	8,3	↗
3:	9,6	↗
4:	10,0	↗
5:	9,8	↘
Serie		45,0
Totalt		212,0



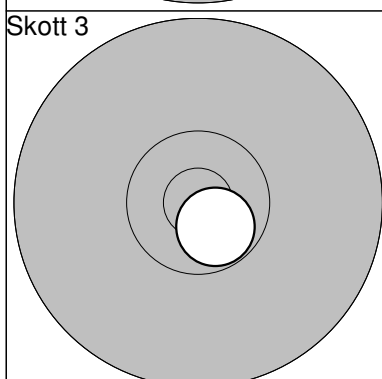
6:	9,0	↓
7:	10,1	→
8:	6,0	↙
9:	9,0	↗
10:	5,6	↗
Serie		39,0
Totalt		251,0



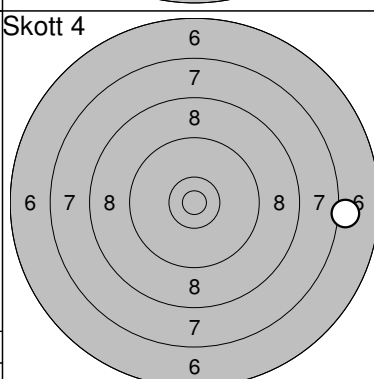
1:	9,3	→
Serie		9,0
Totalt		260,0



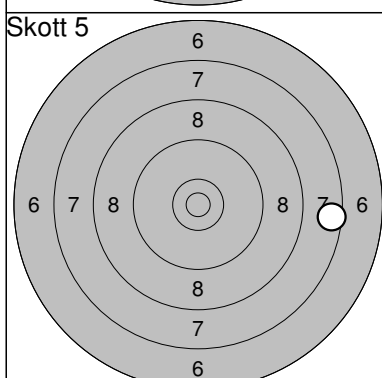
1:	8,8	↘
Serie		8,0
Totalt		268,0



1:	10,7*	↘
Serie		10,0
Totalt		278,0



1:	7,1	→
Serie		7,0
Totalt		285,0



1:	7,6	→
Serie		7,0
Totalt		292,0

Skjutlag

3

Tavla

3

Sören Olsson

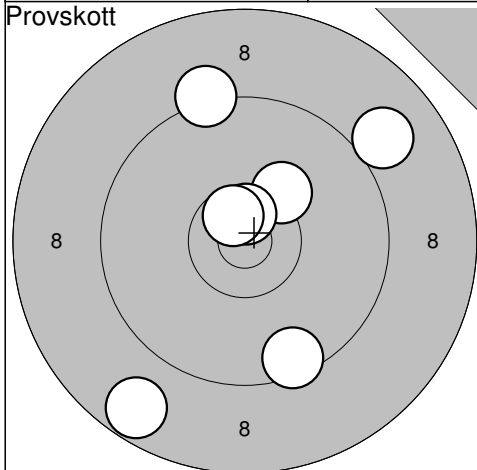
Umeå Skf

2009.08.29

Höstträffen 2009 Final

Ramselefors SKF

Provskott

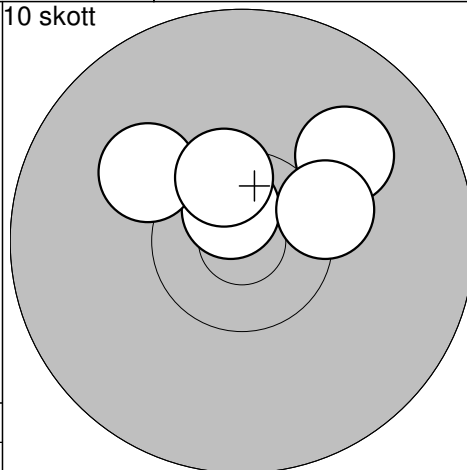


1: 9,2 ↗
 2: 9,5 ↘
 3: 9,0 ↗
 4: 10,3 ↗
 5: 8,7 ↘
 6: 10,6* ↑
 7: 10,6* ↗

Serie 65,0

Totalt 188,0

10 skott

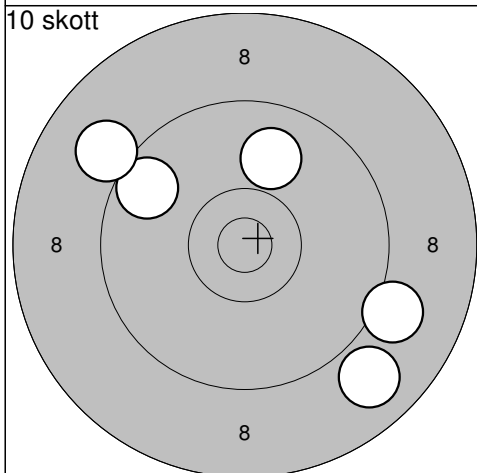


1: 10,7* ↗
 2: 10,1 ↖
 3: 10,0 ↗
 4: 10,3* ↗
 5: 10,5* ↗

Serie 50,0

Totalt 238,0

10 skott

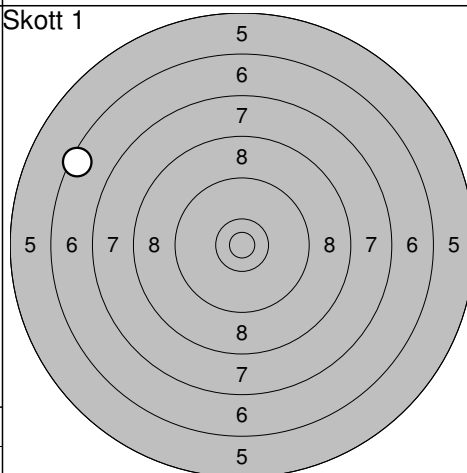


6: 8,9 ↘
 7: 9,7 ↗
 8: 9,0 ↗
 9: 9,1 ↘
 10: 9,9 ↑

Serie 44,0

Totalt 282,0

Skott 1

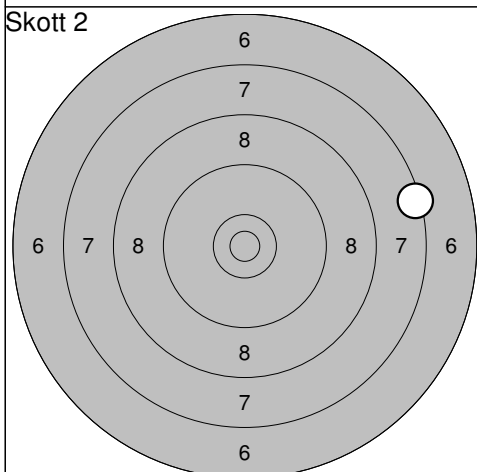


1: 6,5 ↖

Serie 6,0

Totalt 288,0

Skott 2

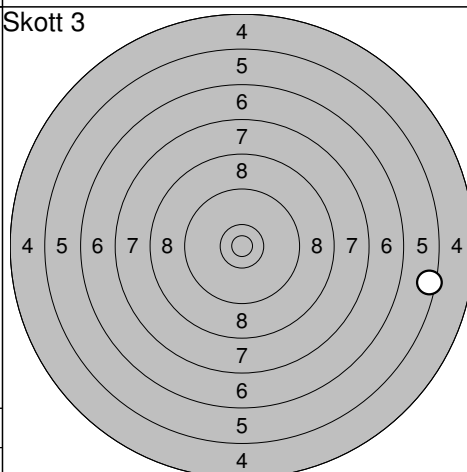


1: 7,4 →

Serie 7,0

Totalt 295,0

Skott 3

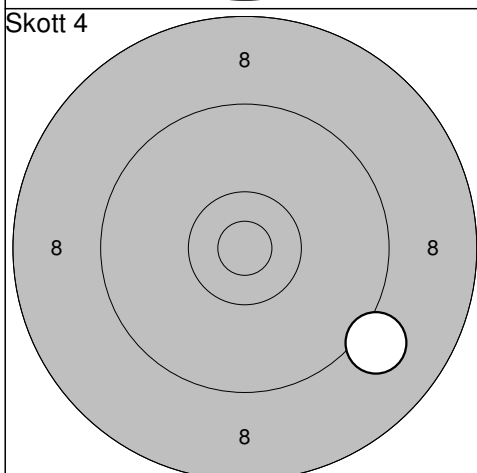


1: 5,5 →

Serie 5,0

Totalt 300,0

Skott 4

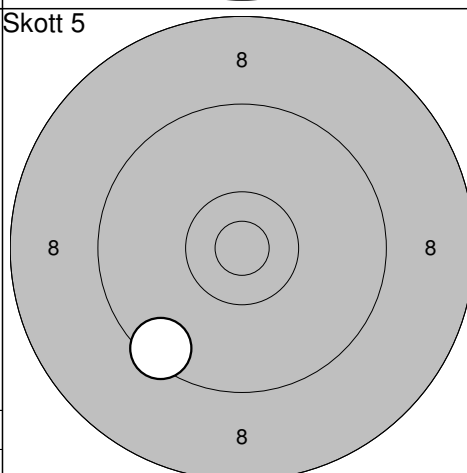


1: 9,1 ↘

Serie 9,0

Totalt 309,0

Skott 5



1: 9,5 ↘

Serie 9,0

Totalt 318,0

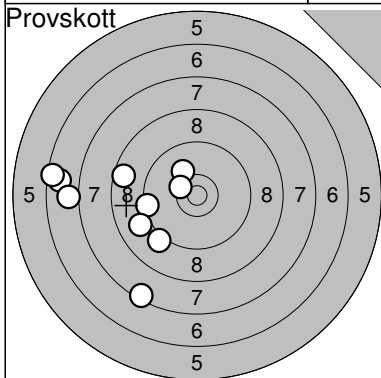
Ramselefors Skf

2009.08.29

Höstträffen 2009 Final

Ramselefors SKF

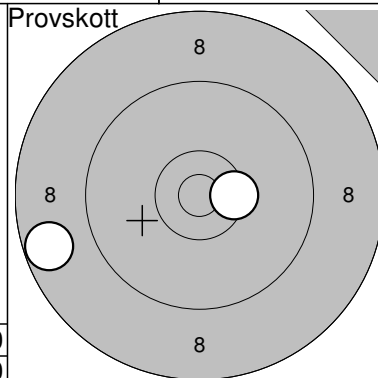
Provskott



1: 6,7 ←
 2: 10,1 ↗
 3: 10,4* ↗
 4: 9,2 ↘
 5: 8,6 ↗
 6: 7,4 ↘
 7: 7,0 ←
 8: 6,5 ↗
 9: 9,4 ←
 10: 9,0 ↘

Serie 81,0
 Totalt 180,0

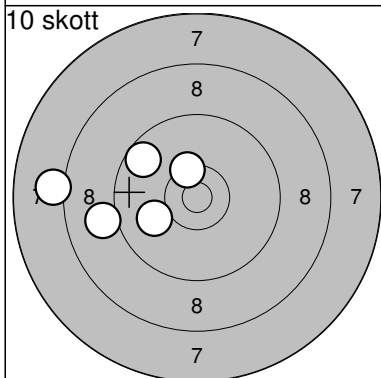
Provskott



11: 8,7 ←
 12: 10,4* →

Serie 18,0
 Totalt 180,0

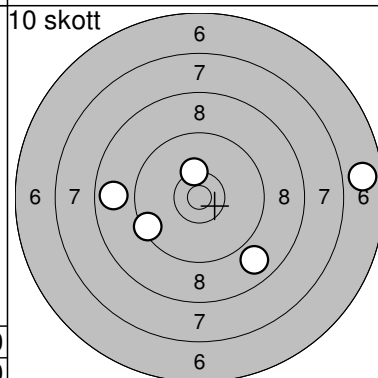
10 skott



1: 10,0 ←
 2: 9,0 ←
 3: 10,4* ↗
 4: 9,7 ↗
 5: 8,1 ←

Serie 46,0
 Totalt 226,0

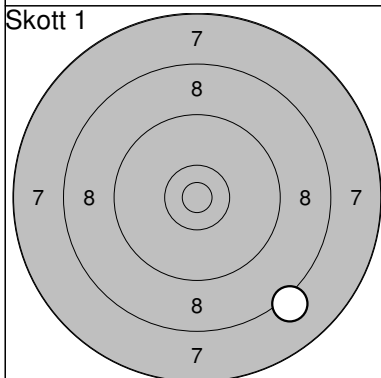
10 skott



6: 9,5 ←
 7: 10,3* ↑
 8: 8,8 ↘
 9: 6,8 →
 10: 8,8 ←

Serie 41,0
 Totalt 267,0

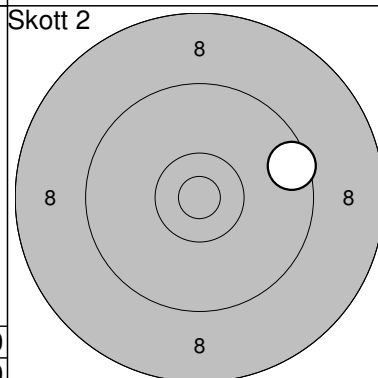
Skott 1



1: 8,1 ↘

Serie 8,0
 Totalt 275,0

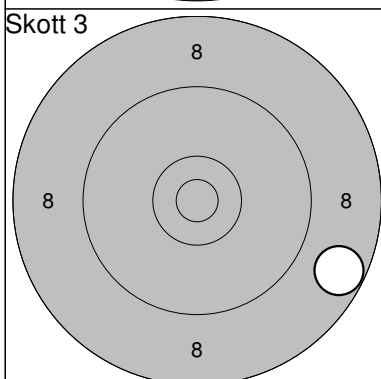
Skott 2



1: 9,5 →

Serie 9,0
 Totalt 284,0

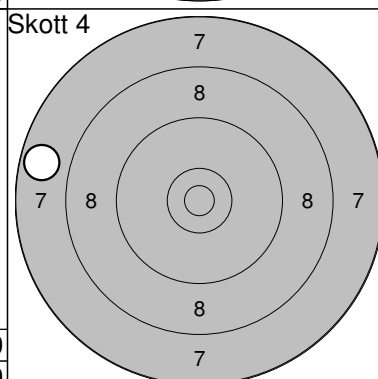
Skott 3



1: 8,7 ↘

Serie 8,0
 Totalt 292,0

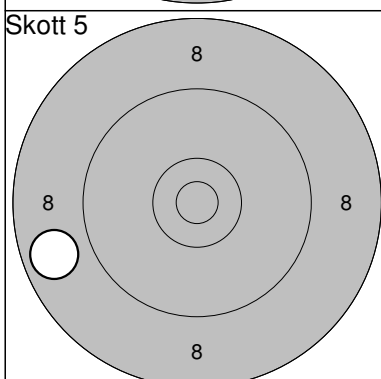
Skott 4



1: 7,8 ←

Serie 7,0
 Totalt 299,0

Skott 5



1: 8,8 ←

Serie 8,0
 Totalt 307,0

Skjutlag

3

Tavla

5

Leif Sigfridsson

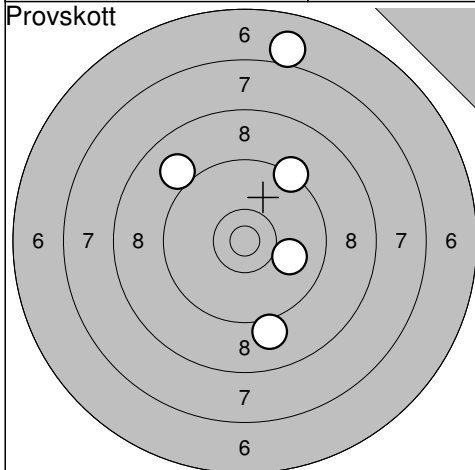
Ramselefors Skf

2009.08.29

Höstträffen 2009 Final

Ramselefors SKF

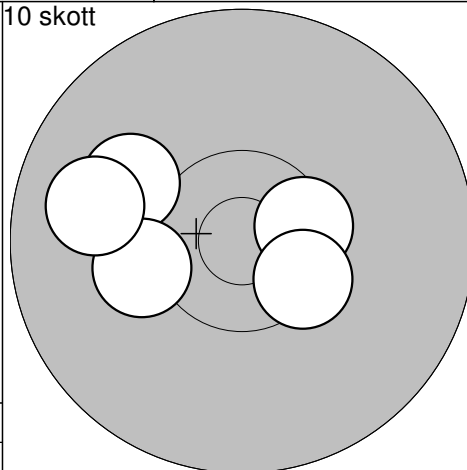
Provskott



1: 9,1 ↓
 2: 7,0 ↑
 3: 9,0 ↗
 4: 9,3 ↗
 5: 10,0 ↘

Serie 44,0
 Totalt 169,0

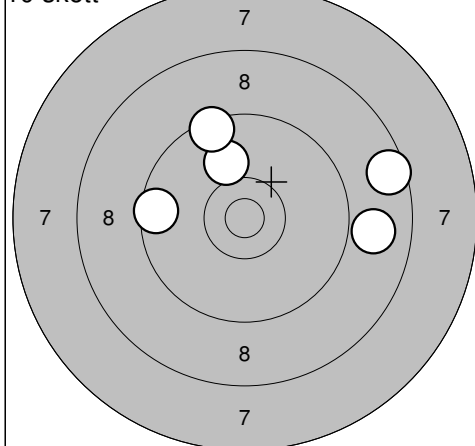
10 skott



1: 10,1 ↖
 2: 10,5* →
 3: 10,4* ↘
 4: 10,2 ←
 5: 9,9 ←

Serie 49,0
 Totalt 218,0

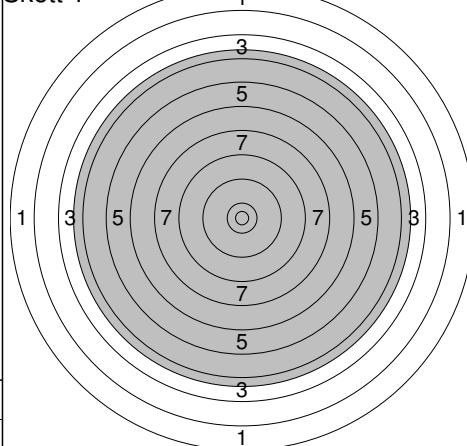
10 skott



6: 9,6 ←
 7: 8,6 →
 8: 10,0 ↑
 9: 8,9 →
 10: 9,5 ↑

Serie 44,0
 Totalt 262,0

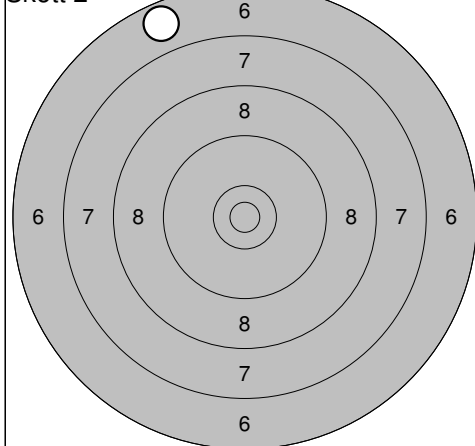
Skott 1



1: 0,0 ↘

Serie 0,0
 Totalt 262,0

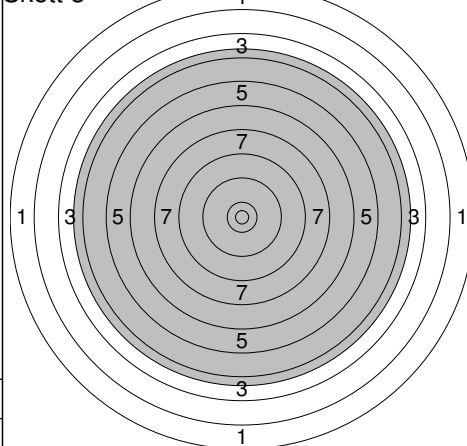
Skott 2



1: 6,7 ↑

Serie 6,0
 Totalt 268,0

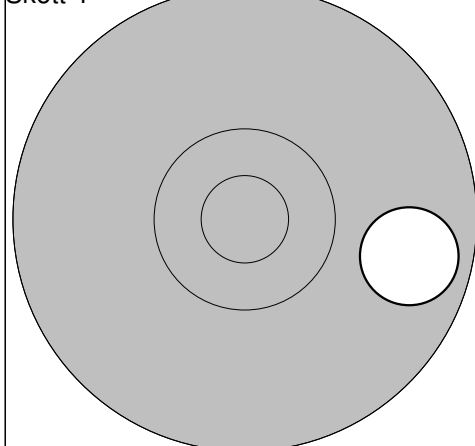
Skott 3



1: 0,0 ↖

Serie 0,0
 Totalt 268,0

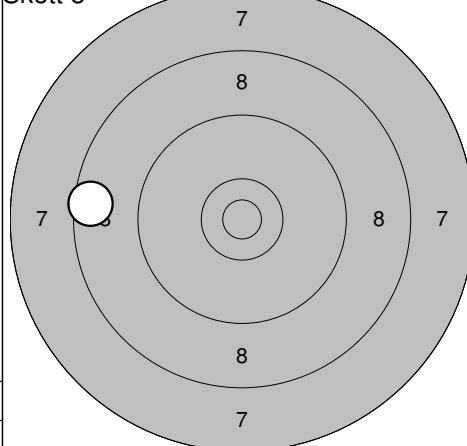
Skott 4



1: 9,8 →

Serie 9,0
 Totalt 277,0

Skott 5



1: 8,6 ←

Serie 8,0
 Totalt 285,0

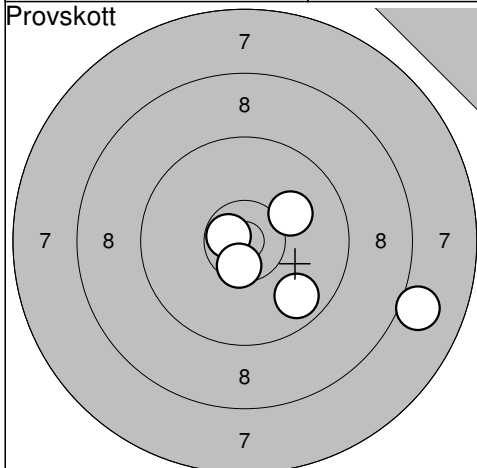
Rundviks Skf

2009.08.29

Höstträffen 2009 Final

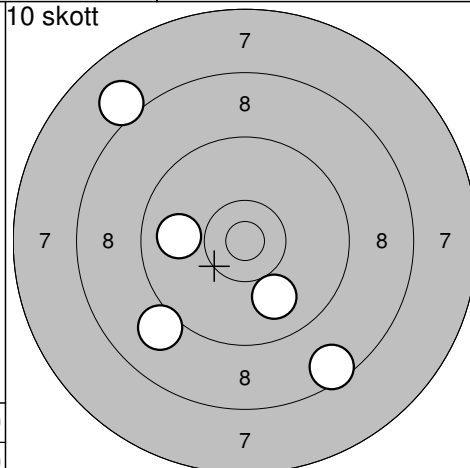
Ramselefors SKF

Provskott



1: 10,7* ↙
 2: 10,1 ↗
 3: 9,8 ↘
 4: 8,0 ↗
 5: 10,6* ↓

10 skott



1: 8,0 ↗
 2: 9,0 ↘
 3: 9,9 ←
 4: 10,0 ↓
 5: 8,5 ↓

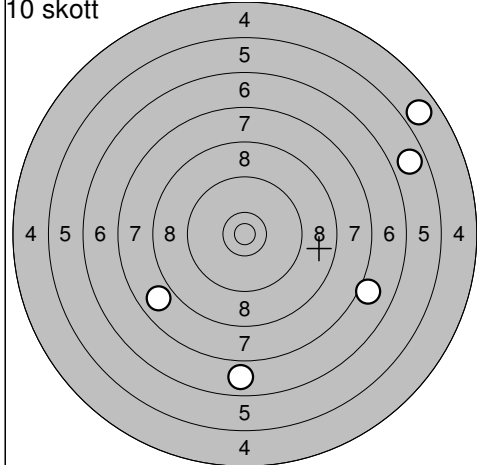
Serie 47,0

Totalt 157,0

Serie 44,0

Totalt 201,0

10 skott

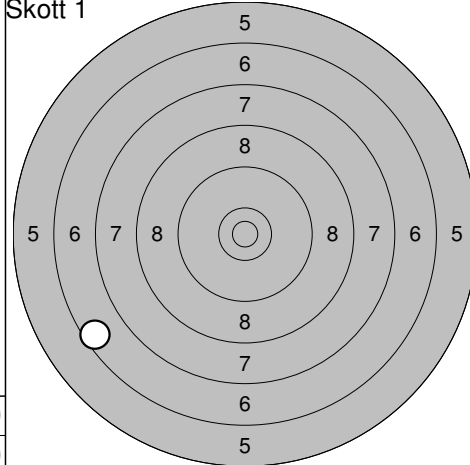


6: 5,8 ↗
 7: 7,9 ↘
 8: 6,8 ↓
 9: 4,9 ↗
 10: 7,0 ↗

Serie 29,0

Totalt 230,0

Skott 1

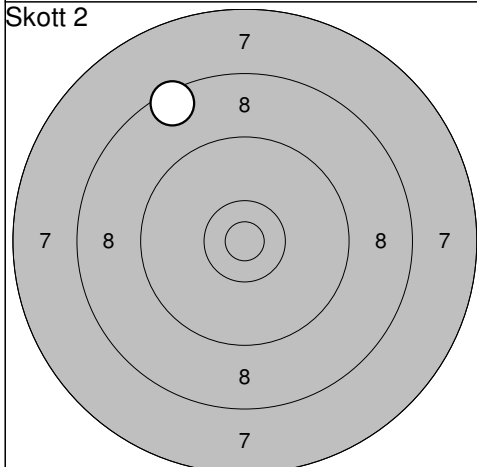


1: 6,6 ↙

Serie 6,0

Totalt 236,0

Skott 2

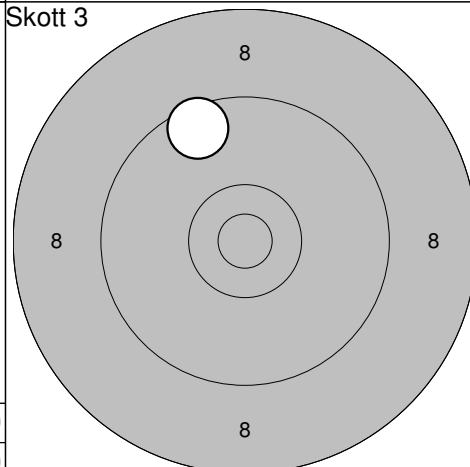


1: 8,5 ↗

Serie 8,0

Totalt 244,0

Skott 3

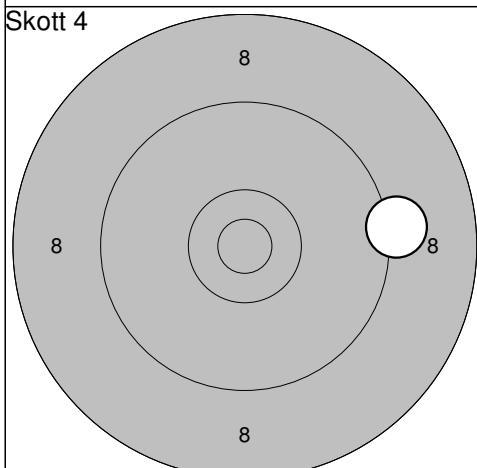


1: 9,6 ↗

Serie 9,0

Totalt 253,0

Skott 4

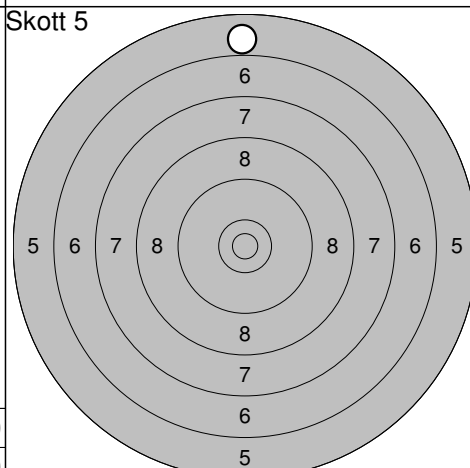


1: 9,2 →

Serie 9,0

Totalt 262,0

Skott 5



1: 5,9 ↑

Serie 5,0

Totalt 267,0

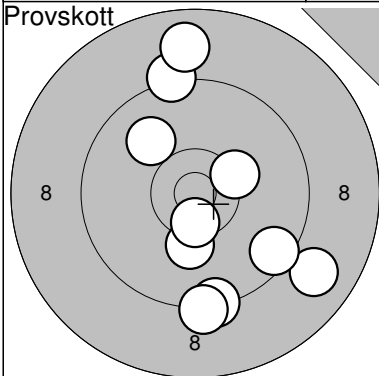
Drängsmarks Skf

2009.08.29

Höstträffen 2009 Final

Ramselefors SKF

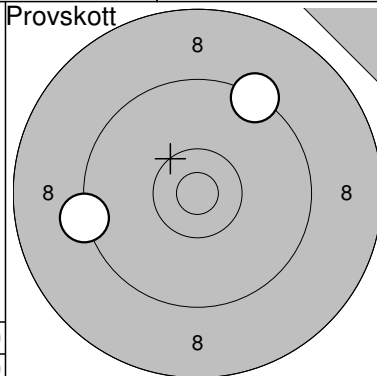
Provskott



1: 8,9 ↘
 2: 9,3 ↓
 3: 10,2 ↓
 4: 10,5* ↓
 5: 9,3 ↗
 6: 10,0 ↗
 7: 9,5 ↘
 8: 10,3* ↘
 9: 8,9 →
 10: 9,3 ↓

Serie 92,0
 Totalt 153,0

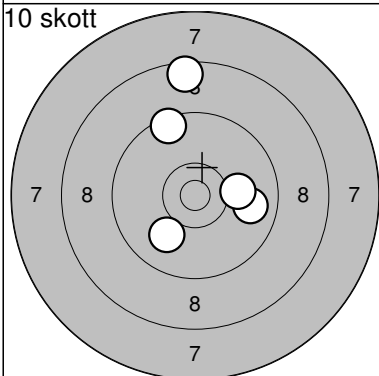
Provskott



11: 9,3 ↗
 12: 9,3 ←

Serie 18,0
 Totalt 153,0

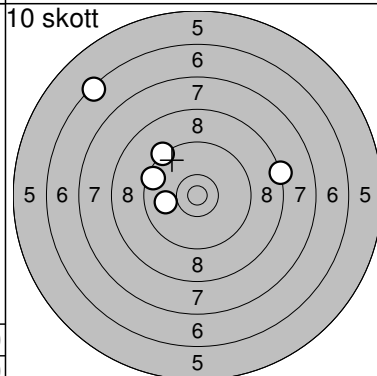
10 skott



1: 9,5 ↗
 2: 10,0 ↓
 3: 9,8 →
 4: 10,1 →
 5: 8,5 ↑

Serie 46,0
 Totalt 199,0

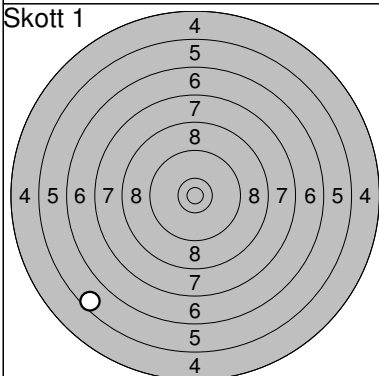
10 skott



6: 9,5 ↖
 7: 9,3 ↗
 8: 6,4 ↗
 9: 8,3 →
 10: 10,0 ←

Serie 42,0
 Totalt 241,0

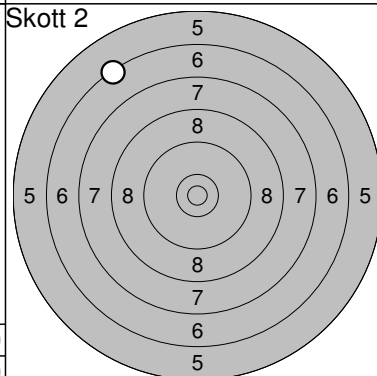
Skott 1



1: 5,6 ↘

Serie 5,0
 Totalt 246,0

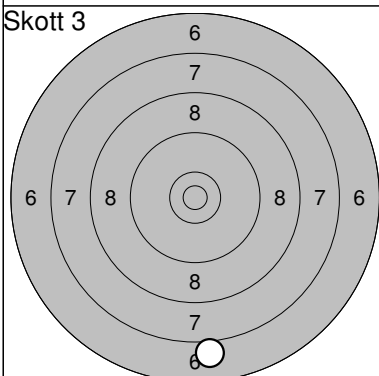
Skott 2



1: 6,4 ↗

Serie 6,0
 Totalt 252,0

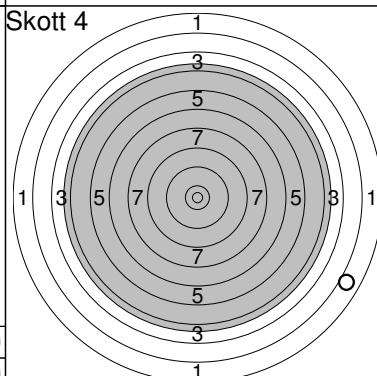
Skott 3



1: 7,0 ↓

Serie 7,0
 Totalt 259,0

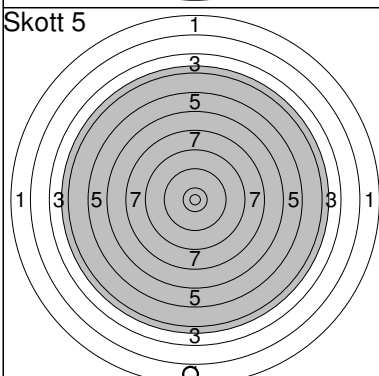
Skott 4



1: 2,0 →

Serie 2,0
 Totalt 261,0

Skott 5



1: 1,8 ↓

Serie 1,0
 Totalt 262,0

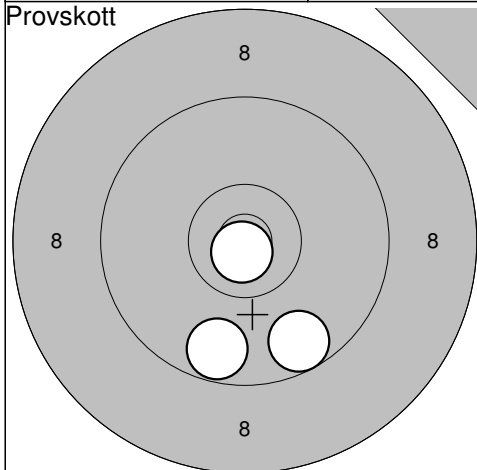
Umeå Skf

2009.08.29

Höstträffen 2009 Final

Ramselefors SKF

Provskott

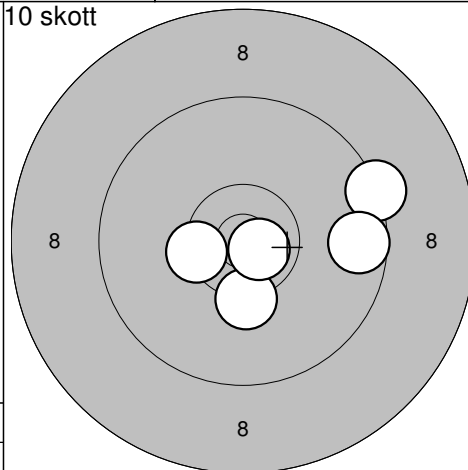


1: 9,7 ↘
 2: 10,8* ↘
 3: 9,6 ↘

Serie 28,0

Totalt 184,0

10 skott

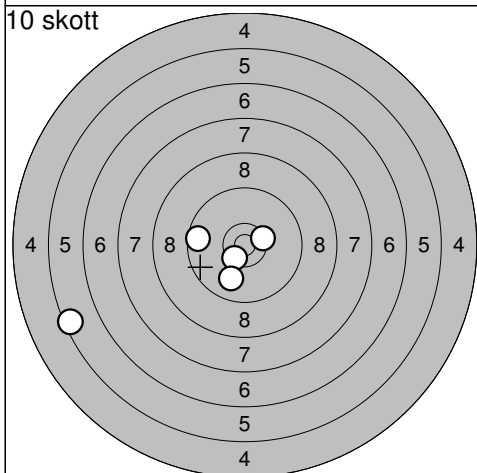


1: 10,4* ←
 2: 9,3 →
 3: 10,3 ↓
 4: 10,7* ↘
 5: 9,6 →

Serie 48,0

Totalt 232,0

10 skott

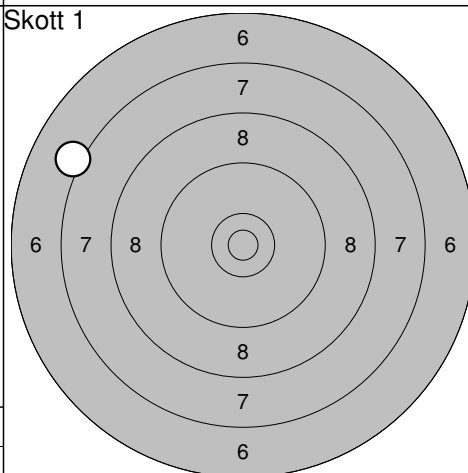


6: 10,5* ↘
 7: 10,4* →
 8: 5,5 ←
 9: 9,9 ↓
 10: 9,6 ←

Serie 43,0

Totalt 275,0

Skott 1

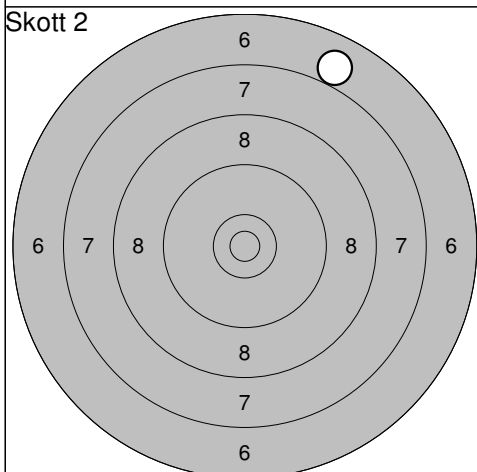


1: 7,2 ↖

Serie 7,0

Totalt 282,0

Skott 2

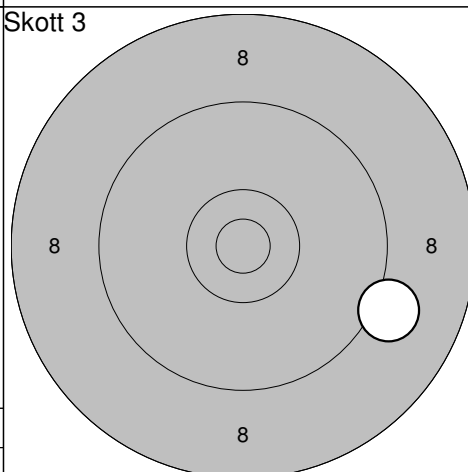


1: 7,0 ↗

Serie 7,0

Totalt 289,0

Skott 3

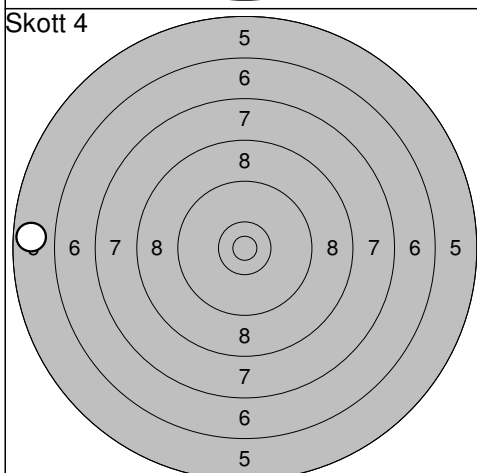


1: 9,1 →

Serie 9,0

Totalt 298,0

Skott 4

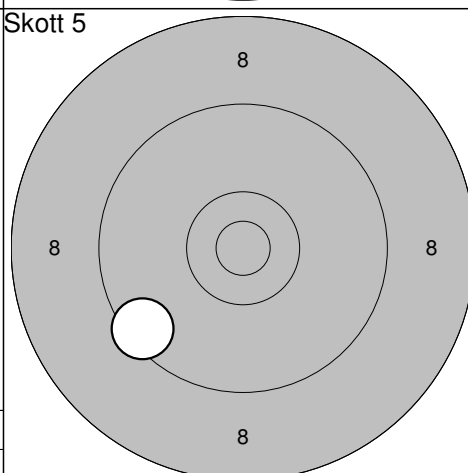


1: 5,8 ←

Serie 5,0

Totalt 303,0

Skott 5



1: 9,5 ↘

Serie 9,0

Totalt 312,0

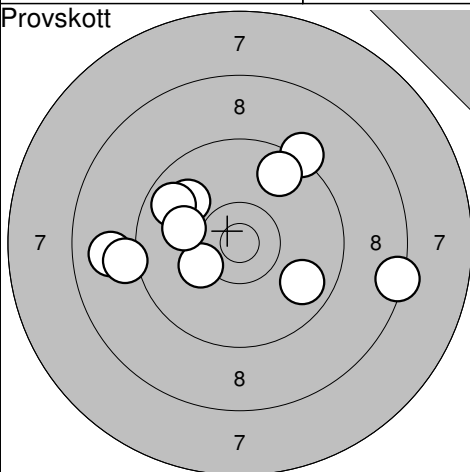
Ramselefors Skf

2009.08.29

Höstträffen 2009 Final

Ramselefors SKF

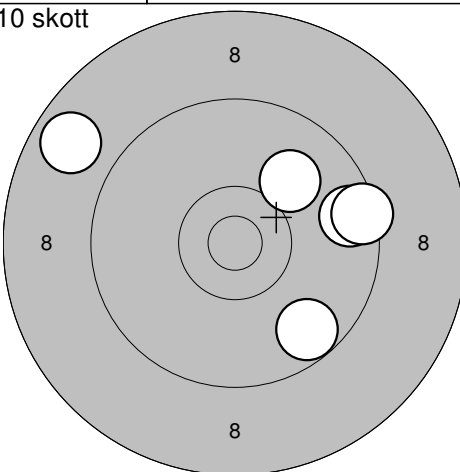
Provskott



- 1: 8,9 ←
- 2: 9,1 ←
- 3: 10,2 ↙
- 4: 9,9 ↗
- 5: 9,8 ↘
- 6: 9,3 ↗
- 7: 8,4 →
- 8: 9,7 ↗
- 9: 9,8 ↖
- 10: 10,0 ←

Serie	90,0
Totalt	180,0

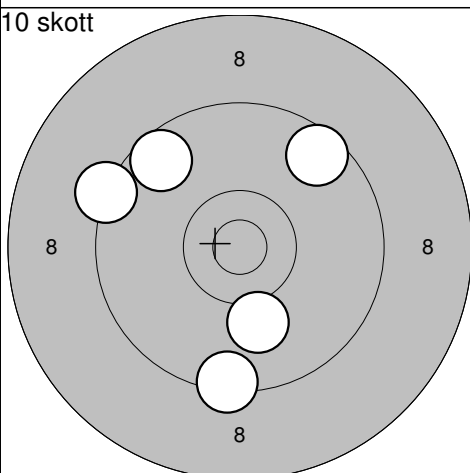
10 skott



- 1: 10,0 ↗
- 2: 9,6 →
- 3: 9,7 ↘
- 4: 8,8 ↖
- 5: 9,5 →

Serie	45,0
Totalt	225,0

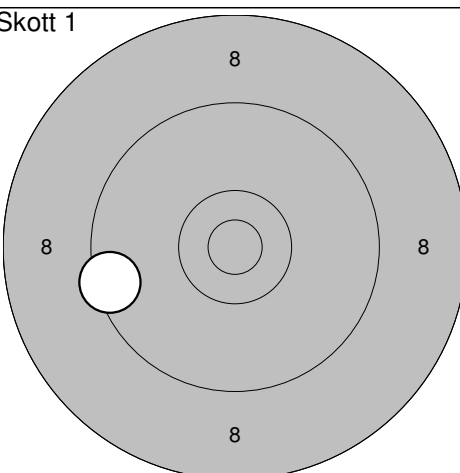
10 skott



- 6: 10,1 ↓
- 7: 9,3 ←
- 8: 9,6 ↗
- 9: 9,6 ↖
- 10: 9,4 ↓

Serie	46,0
Totalt	271,0

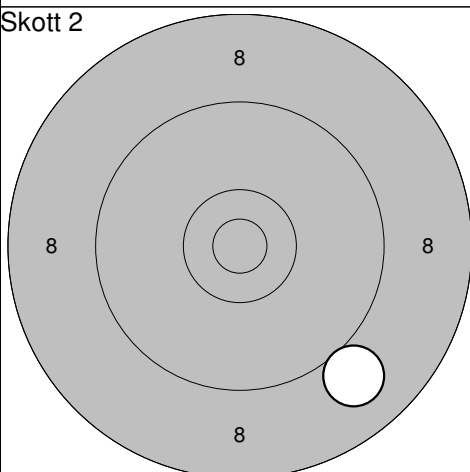
Skott 1



- 1: 9,5 ←

Serie	9,0
Totalt	280,0

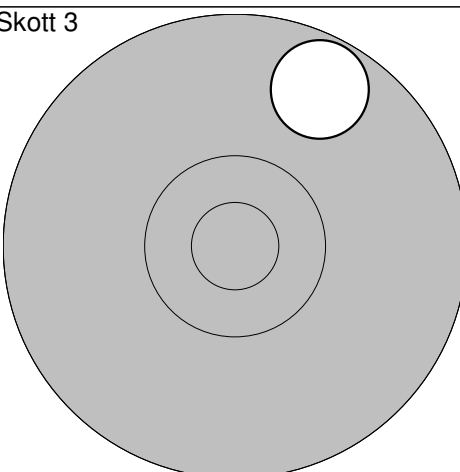
Skott 2



- 1: 9,0 ↘

Serie	9,0
Totalt	289,0

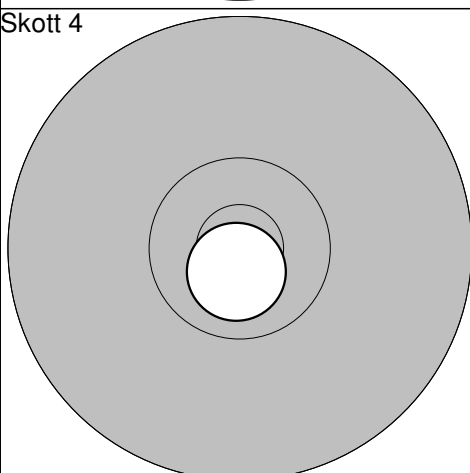
Skott 3



- 1: 9,7 ↗

Serie	9,0
Totalt	298,0

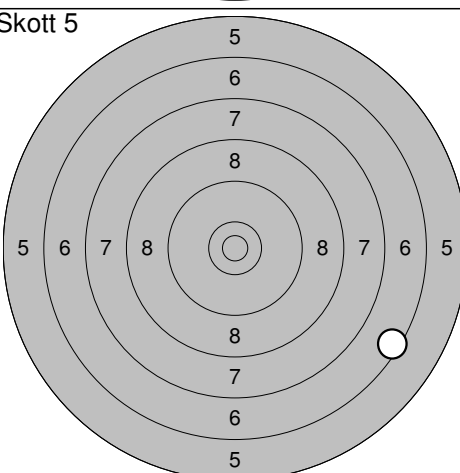
Skott 4



- 1: 10,8* ↓

Serie	10,0
Totalt	308,0

Skott 5



- 1: 6,5 →

Serie	6,0
Totalt	314,0

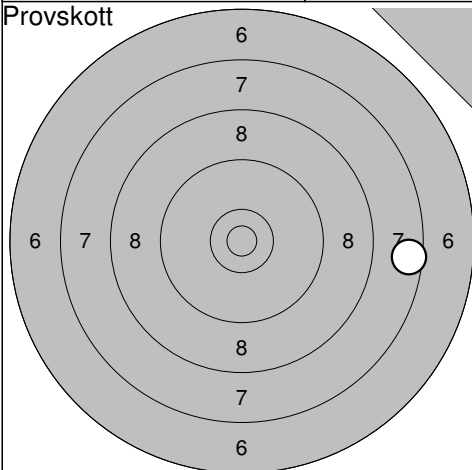
Umeå Skf

2009.08.29

Höstträffen 2009 Final

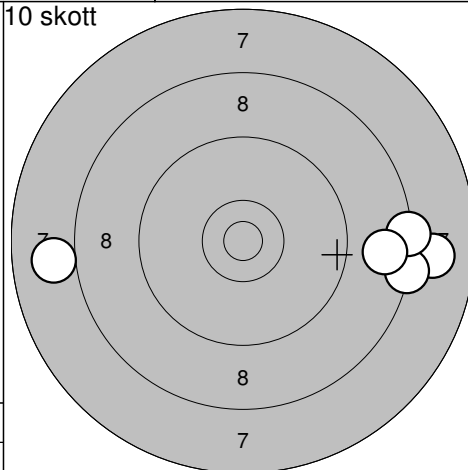
Ramselefors SKF

Provskott



1: 7,6 →

10 skott



1: 8,0 →

2: 8,3 →

3: 8,3 →

4: 8,7 →

5: 8,0 ←

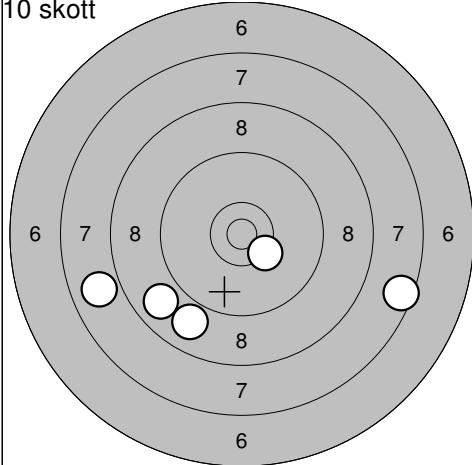
Serie 7,0

Totalt 178,0

Serie 40,0

Totalt 218,0

10 skott



6: 10,3* ↘

7: 7,9 ←

8: 8,9 ↙

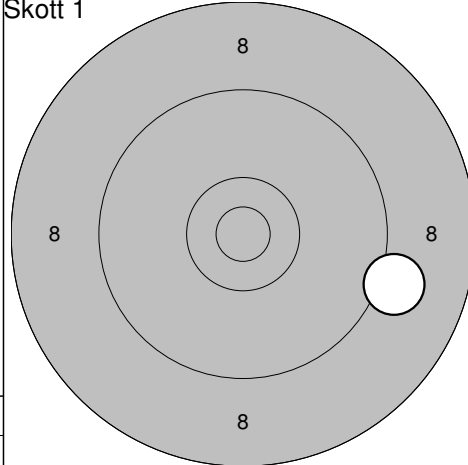
9: 7,5 →

10: 8,8 ↙

Serie 40,0

Totalt 258,0

Skott 1

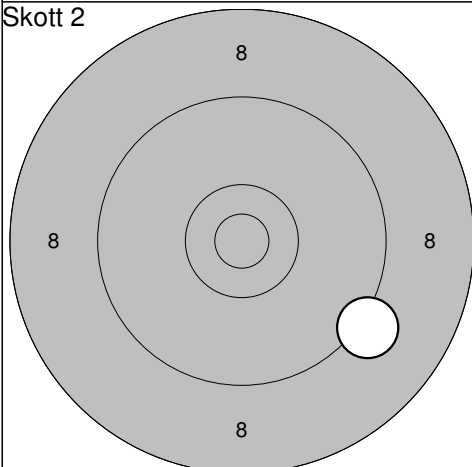


1: 9,1 →

Serie 9,0

Totalt 267,0

Skott 2

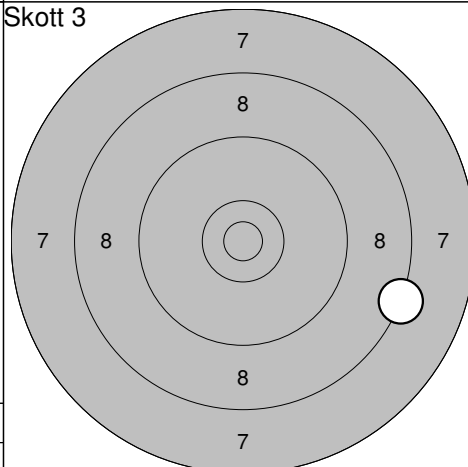


1: 9,2 →

Serie 9,0

Totalt 276,0

Skott 3

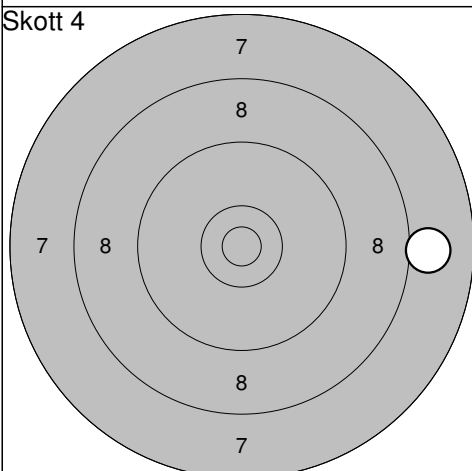


1: 8,3 →

Serie 8,0

Totalt 284,0

Skott 4

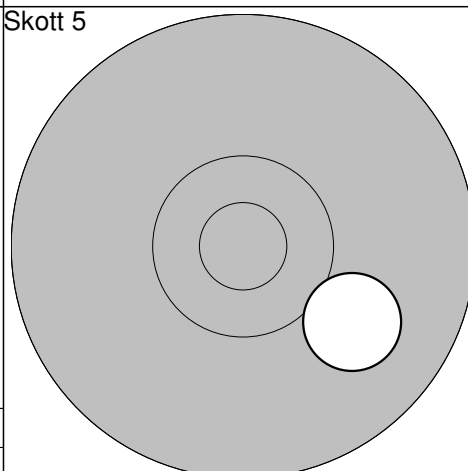


1: 8,0 →

Serie 8,0

Totalt 292,0

Skott 5



1: 10,0 →

Serie 10,0

Totalt 302,0

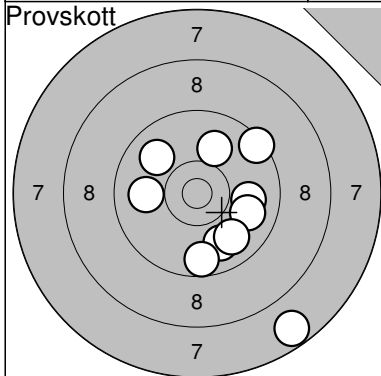
Drängsmarks Skf

2009.08.29

Höstträffen 2009 Final

Ramselefors SKF

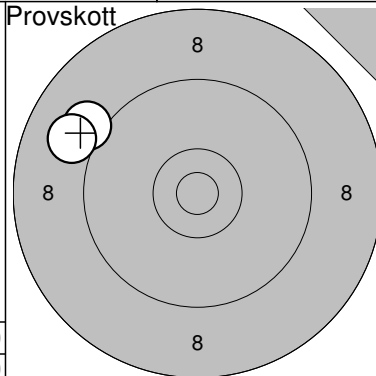
Provskott



1: 9,9 ↘
 2: 9,9 ←
 3: 10,0 ↗
 4: 9,6 ↘
 5: 9,9 →
 6: 9,4 ↗
 7: 9,9 ↘
 8: 7,7 ↘
 9: 9,8 ↘
 10: 9,9 ↗

Serie 89,0
 Totalt 165,0

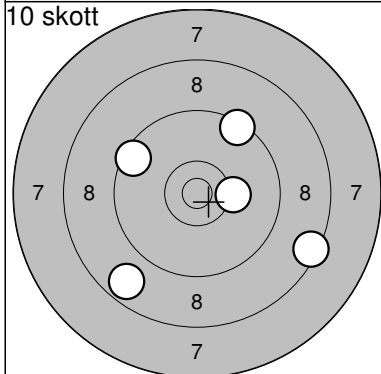
Provskott



11: 9,1 ↗
 12: 9,0 ↗

Serie 18,0
 Totalt 165,0

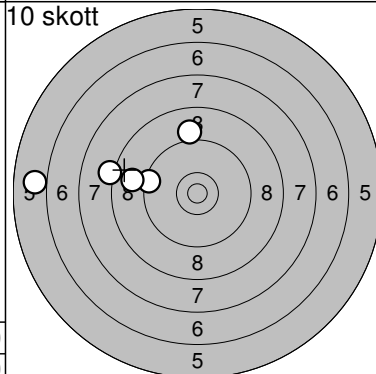
10 skott



1: 8,7 ↘
 2: 8,4 ↘
 3: 9,4 ↗
 4: 10,2 →
 5: 9,5 ↗

Serie 44,0
 Totalt 209,0

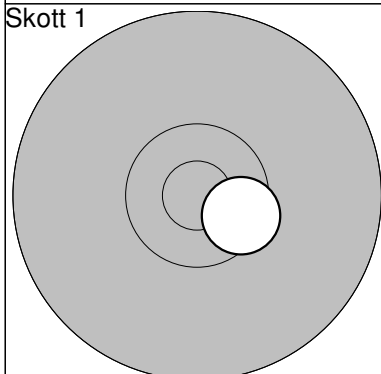
10 skott



6: 9,4 ←
 7: 8,2 ←
 8: 6,0 ←
 9: 8,9 ←
 10: 9,1 ↑

Serie 40,0
 Totalt 249,0

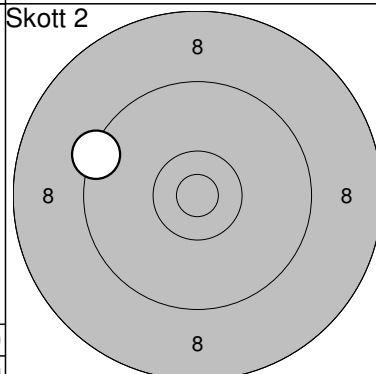
Skott 1



1: 10,5* ↘

Serie 10,0
 Totalt 259,0

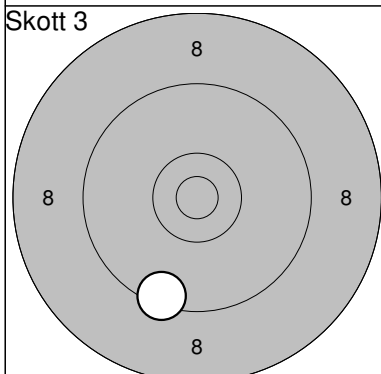
Skott 2



1: 9,4 ←

Serie 9,0
 Totalt 268,0

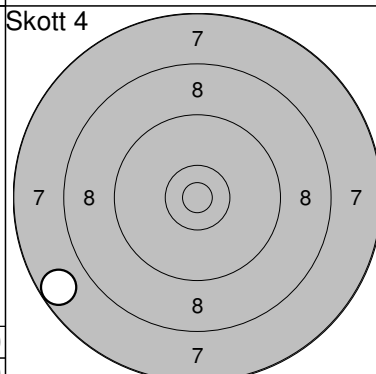
Skott 3



1: 9,4 ↘

Serie 9,0
 Totalt 277,0

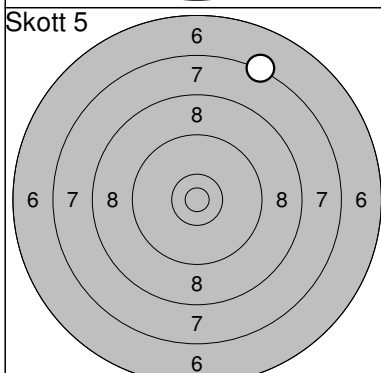
Skott 4



1: 7,7 ←

Serie 7,0
 Totalt 284,0

Skott 5



1: 7,3 ↑

Serie 7,0
 Totalt 291,0