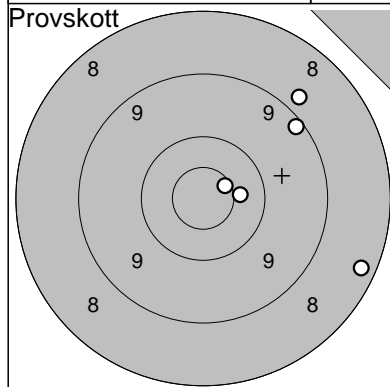


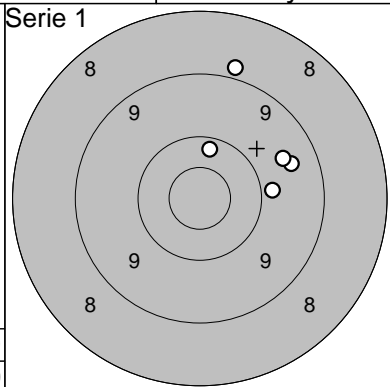
Ramselefors

2009-08-15	Förbundsmästerskap 2009	Umeå skytteallians
------------	-------------------------	--------------------



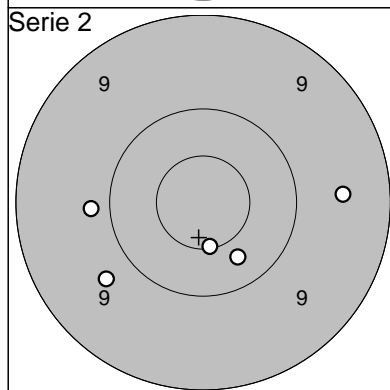
1: 9,3 →
2: 10,1 ↗
3: 10,7* →
4: 9,8 ↗
5: 10,8* ↗

Serie 48,0
Totalt 0,0



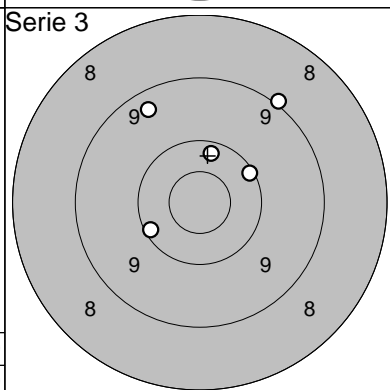
1: 8,9 ↑
2: 9,5 →
3: 10,3 ↑
4: 9,9 →
5: 9,6 →

Serie 45,0
Totalt 45,0



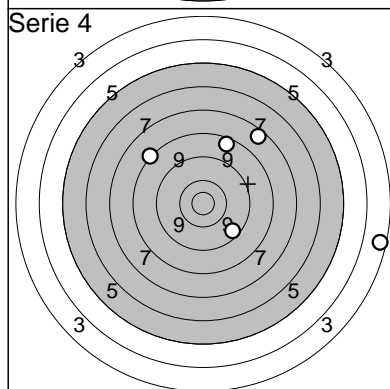
1: 9,8 ←
2: 9,7 ↙
3: 10,3 ↘
4: 10,5* ↓
5: 9,5 →

Serie 47,0
Totalt 92,0



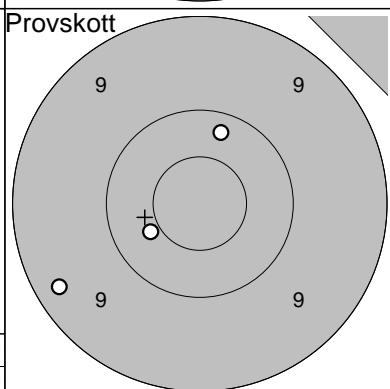
1: 10,2 ↙
2: 9,4 ↖
3: 10,3 ↑
4: 10,1 ↗
5: 9,0 ↗

Serie 48,0
Totalt 140,0



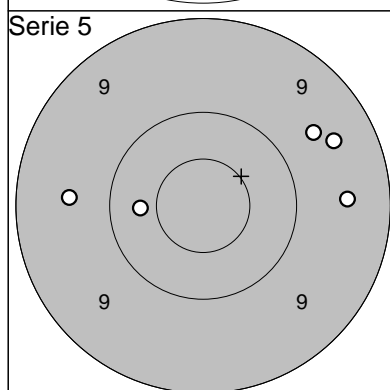
1: 7,6 ↗
2: 8,3 ↖
3: 9,5 ↘
4: 8,5 ↑
5: 3,5 →

Serie 35,0
Totalt 175,0



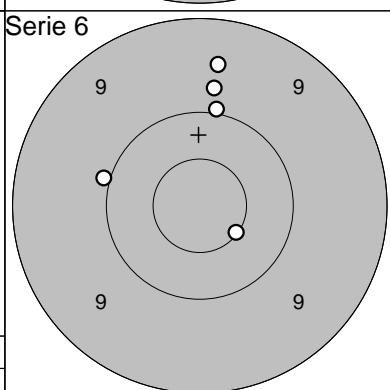
1: 9,3 ↙
2: 10,2 ↑
3: 10,4 ↙

Serie 29,0
Totalt 175,0



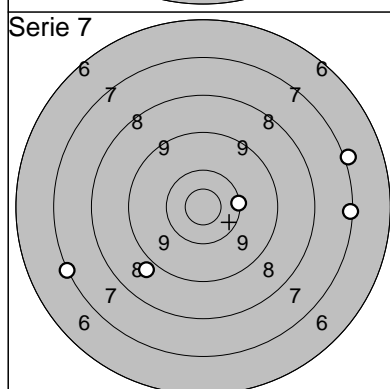
1: 9,6 ←
2: 10,4 ←
3: 9,5 →
4: 9,5 →
5: 9,6 ↗

Serie 46,0
Totalt 221,0



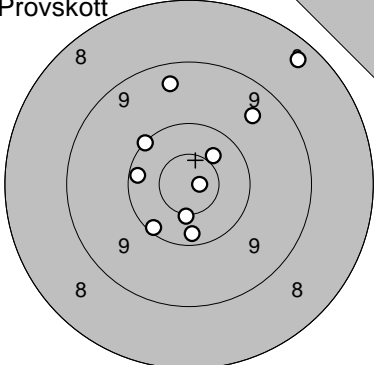
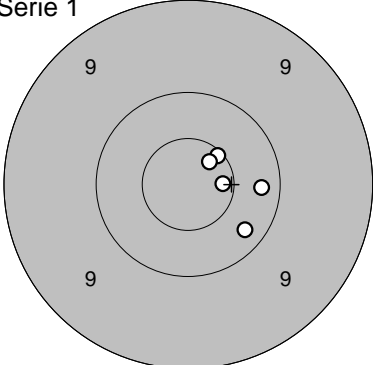
1: 10,0 ←
2: 10,5* ↘
3: 10,0 ↑
4: 9,8 ↑
5: 9,5 ↑

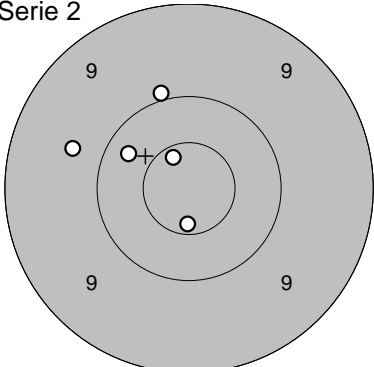
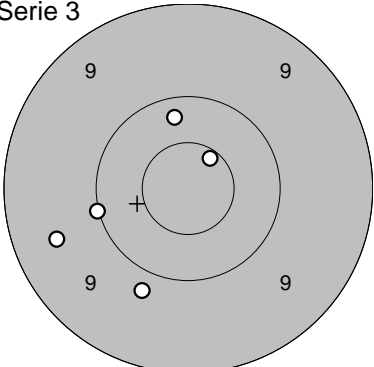
Serie 48,0
Totalt 269,0

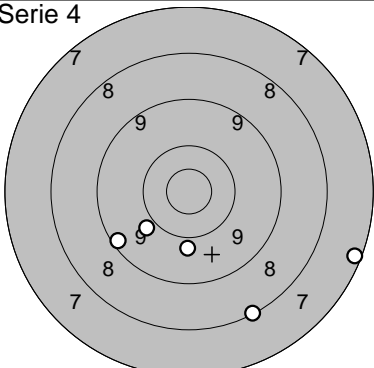
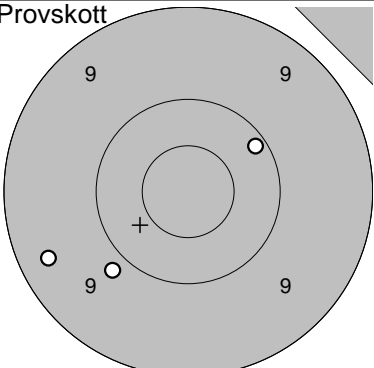


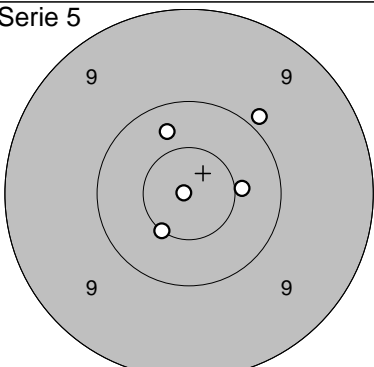
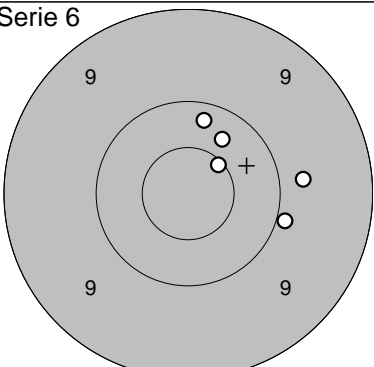
1: 8,9 ↙
2: 10,2 →
3: 7,2 ↙
4: 7,0 →
5: 7,2 →

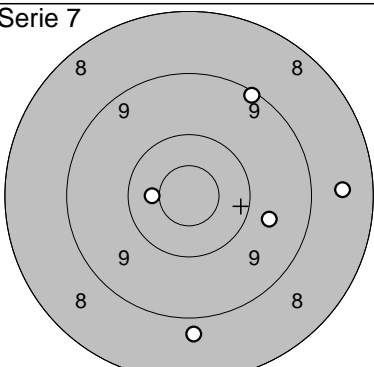
Serie 39,0
Totalt 308,0

Provsnitt 	1: 10,2 ↗ 2: 9,4 ↗ 3: 10,2 ↗ 4: 10,6* ↖ 5: 10,5* ↗ 6: 10,5* ↘ 7: 10,2 ↘ 8: 10,3 ↘ 9: 10,5* ↗ 10: 10,9* →	Serie 1 	1: 10,6* ↗ 2: 10,7* ↗ 3: 10,7* → 4: 10,2 → 5: 10,2 ↘
Serie 99,0		Serie 50,0	
Totalt 0,0		Totalt 50,0	

Serie 2 	1: 10,7* ↗ 2: 10,3 ↗ 3: 10,6* ↘ 4: 10,0 ↗ 5: 9,7 ↗	Serie 3 	1: 10,6* ↗ 2: 10,0 ← 3: 9,5 ← 4: 10,3 ↑ 5: 9,8 ↘
Serie 49,0		Serie 48,0	
Totalt 99,0		Totalt 147,0	

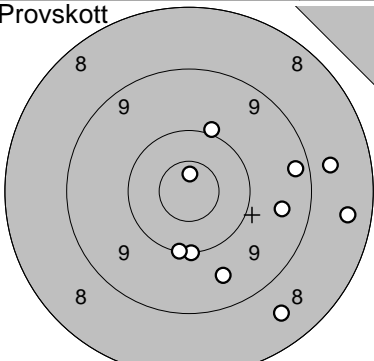
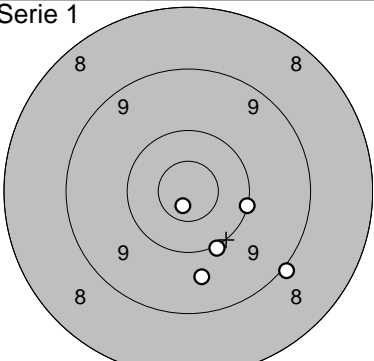
Serie 4 	1: 9,9 ↘ 2: 9,9 ↘ 3: 9,2 ↘ 4: 8,1 ↘ 5: 7,2 ↘	Provsnitt 	1: 9,4 ← 2: 10,2 ↗ 3: 9,9 ↘
Serie 42,0		Serie 28,0	
Totalt 189,0		Totalt 189,0	

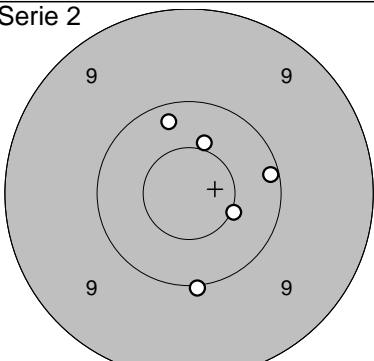
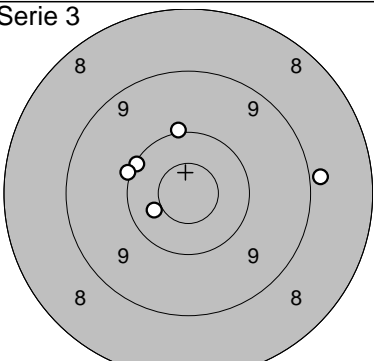
Serie 5 	1: 10,5* ↘ 2: 10,3 ↗ 3: 10,9* ← 4: 9,9 ↗ 5: 10,5* →	Serie 6 	1: 10,2 ↑ 2: 10,3 ↗ 3: 9,9 → 4: 10,6* ↗ 5: 9,8 →
Serie 49,0		Serie 48,0	
Totalt 238,0		Totalt 286,0	

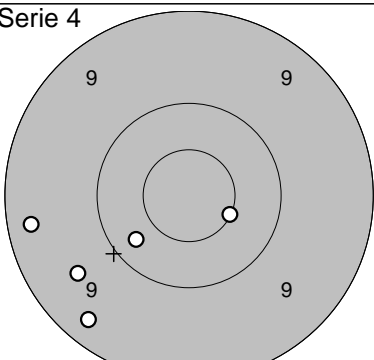
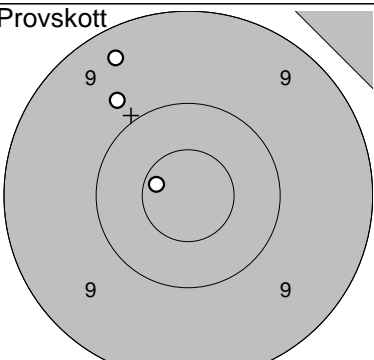
Serie 7 	1: 10,5* ← 2: 9,2 ↗ 3: 9,7 ↘ 4: 8,6 → 5: 8,8 ↘		
Serie 44,0			
Totalt 330,0			

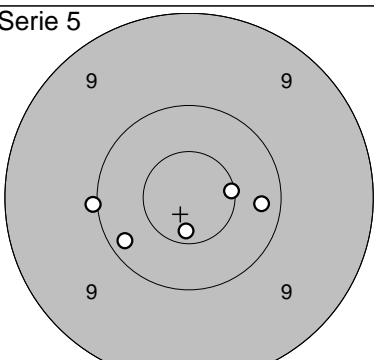
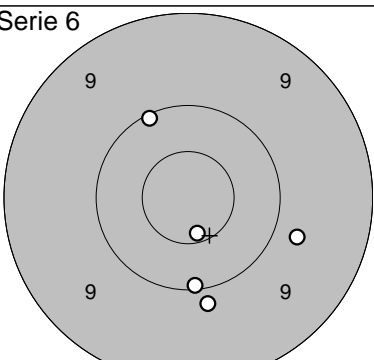
Umeå

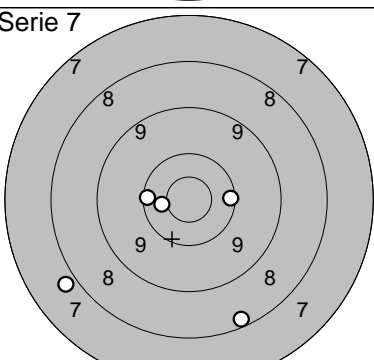
2009-08-15 Förbundsmästerskap 2009 Umeå skytteallians

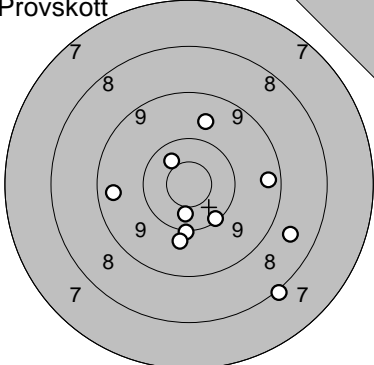
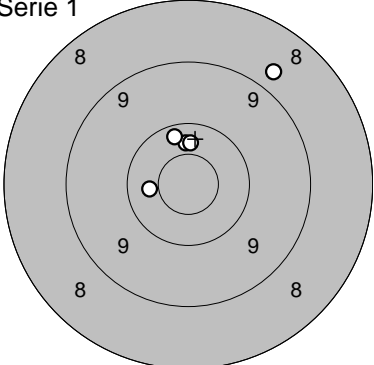
<p>Provskott</p> 	<p>1: 10,2 → 2: 9,5 → 3: 10,1 → 4: 9,6 ↓ 5: 10,8* ↑ 6: 9,6 ↓ 7: 10,1 ↓ 8: 10,1 ↓ 9: 10,0 ↑ 10: 8,7 →</p> <p>Serie 95,0 Totalt 0,0</p>	<p>Serie 1</p> 	<p>1: 10,1 → 2: 9,7 ↓ 3: 9,0 ↓ 4: 10,0 ↓ 5: 10,8* ↓</p> <p>Serie 48,0 Totalt 48,0</p>
---	---	---	---

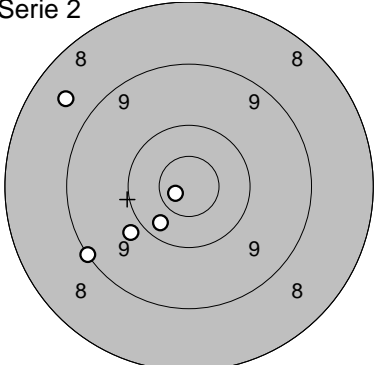
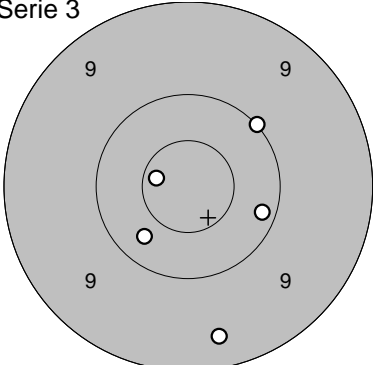
<p>Serie 2</p> 	<p>1: 10,2 ↑ 2: 10,5* → 3: 10,0 ↓ 4: 10,1 → 5: 10,5* ↑</p> <p>Serie 50,0 Totalt 98,0</p>	<p>Serie 3</p> 	<p>1: 10,1 ↗ 2: 10,0 ↗ 3: 8,9 → 4: 10,0 ↑ 5: 10,5* ↖</p> <p>Serie 48,0 Totalt 146,0</p>
---	--	---	---

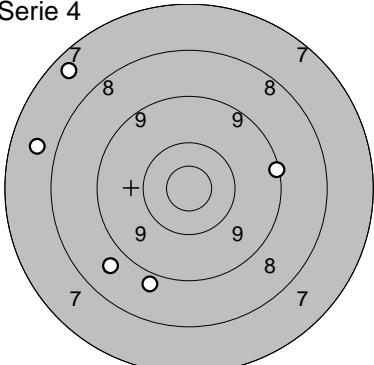
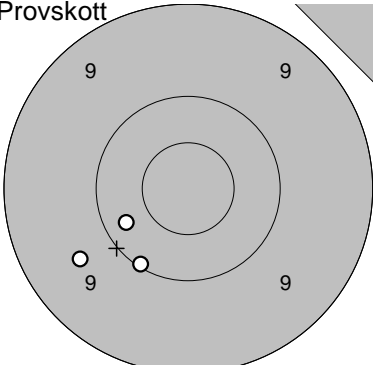
<p>Serie 4</p> 	<p>1: 9,3 ↙ 2: 9,6 ↙ 3: 10,3 ↙ 4: 9,3 ↙ 5: 10,5* ↘</p> <p>Serie 47,0 Totalt 193,0</p>	<p>Provskott</p> 	<p>1: 10,7* ↖ 2: 9,8 ↗ 3: 9,4 ↗</p> <p>Serie 28,0 Totalt 193,0</p>
--	---	--	--

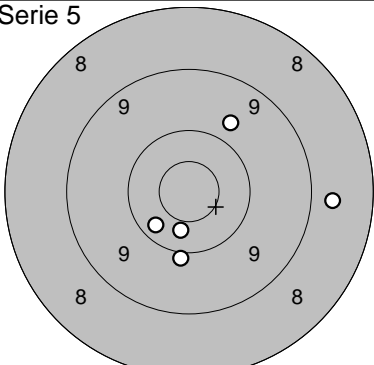
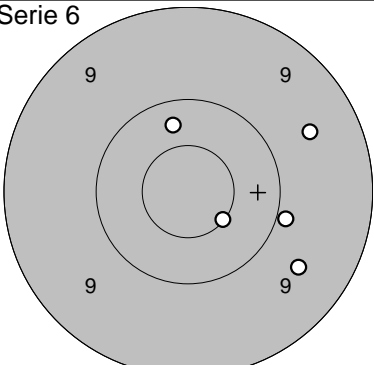
<p>Serie 5</p> 	<p>1: 10,0 ← 2: 10,2 ↙ 3: 10,7* ↓ 4: 10,6* → 5: 10,2 →</p> <p>Serie 50,0 Totalt 243,0</p>	<p>Serie 6</p> 	<p>1: 10,1 ↗ 2: 10,1 ↓ 3: 9,9 ↓ 4: 10,6* ↓ 5: 9,8 ↓</p> <p>Serie 48,0 Totalt 291,0</p>
---	---	---	--

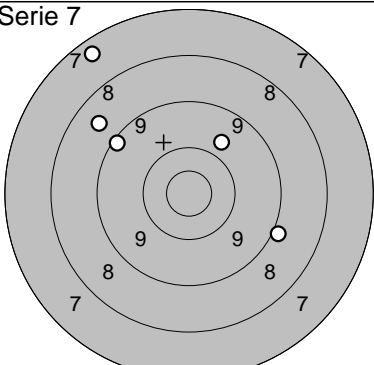
<p>Serie 7</p> 	<p>1: 10,2 ← 2: 10,2 → 3: 7,9 ↙ 4: 8,3 ↓ 5: 10,5* ←</p> <p>Serie 45,0 Totalt 336,0</p>		
---	--	--	--

Provskott 	1: 9,7 → 2: 9,0 ↓ 3: 10,5* ↓ 4: 10,4 ↓ 5: 10,7* ↓ 6: 9,7 ↑ 7: 9,5 ← 8: 10,5* ↗ 9: 10,2 ↓ 10: 9,4 →	Serie 1 	1: 10,4 ↑ 2: 10,3 ↑ 3: 10,4 ↑ 4: 8,8 ↗ 5: 10,4 ←
Serie 95,0		Serie 48,0	
Totalt 0,0		Totalt 48,0	

Serie 2 	1: 8,6 ↗ 2: 9,1 ← 3: 10,8* ← 4: 9,9 ← 5: 10,3 ↓	Serie 3 	1: 10,0 ↗ 2: 9,4 ↓ 3: 10,2 → 4: 10,7* ← 5: 10,3 ↓
Serie 46,0		Serie 49,0	
Totalt 94,0		Totalt 143,0	

Serie 4 	1: 8,7 ↓ 2: 8,9 ↓ 3: 7,7 ↗ 4: 9,2 → 5: 7,5 ↗	Provskott 	1: 10,3 ← 2: 9,6 ← 3: 10,1 ↓
Serie 39,0		Serie 29,0	
Totalt 182,0		Totalt 182,0	

Serie 5 	1: 9,8 ↗ 2: 8,7 → 3: 10,0 ↓ 4: 10,4 ↓ 5: 10,3 ↓	Serie 6 	1: 10,5* ↓ 2: 9,9 → 3: 9,6 ↓ 4: 10,3 ↑ 5: 9,6 ↗
Serie 47,0		Serie 47,0	
Totalt 229,0		Totalt 276,0	

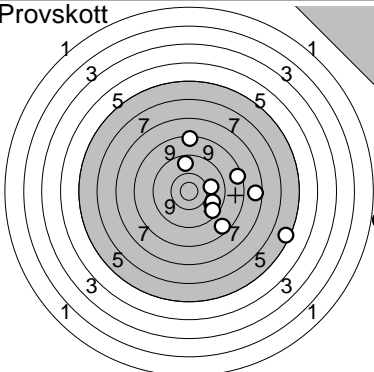
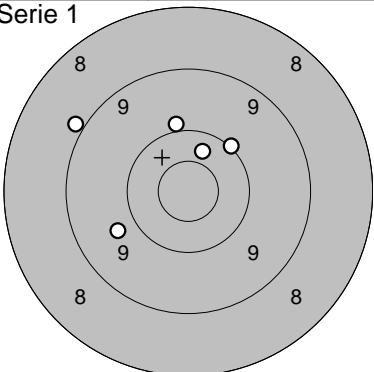
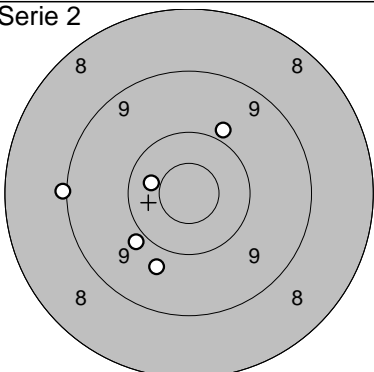
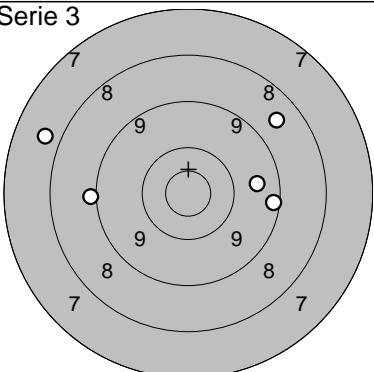
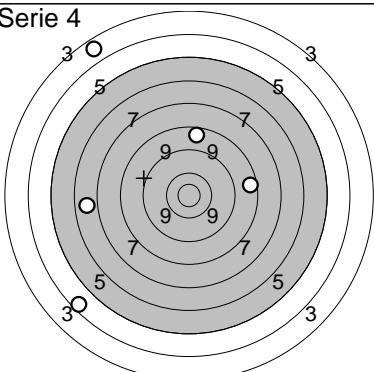
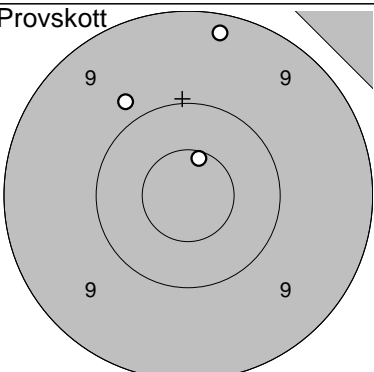
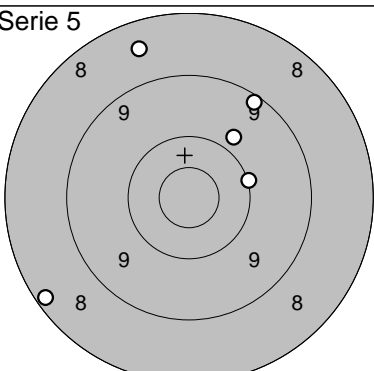
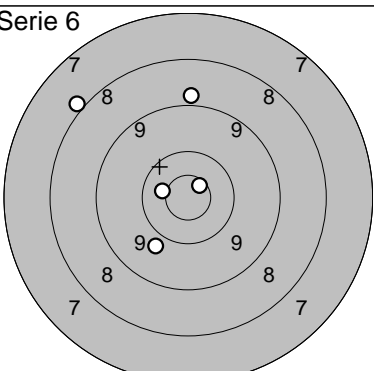
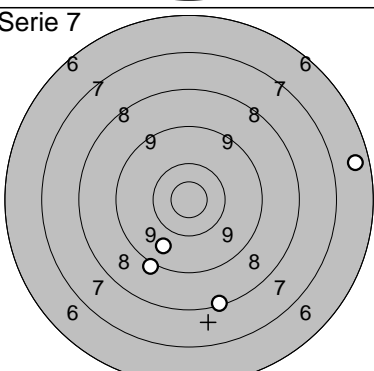
Serie 7 	1: 9,2 ↗ 2: 9,0 ↓ 3: 9,8 ↗ 4: 7,4 ↗ 5: 8,7 ↗		
Serie 42,0			
Totalt 318,0			

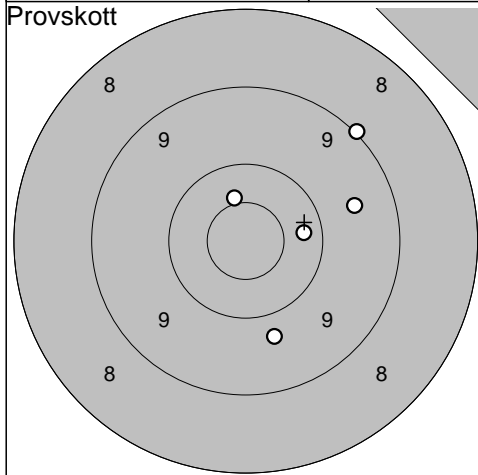
Ramselefors

2009-08-15

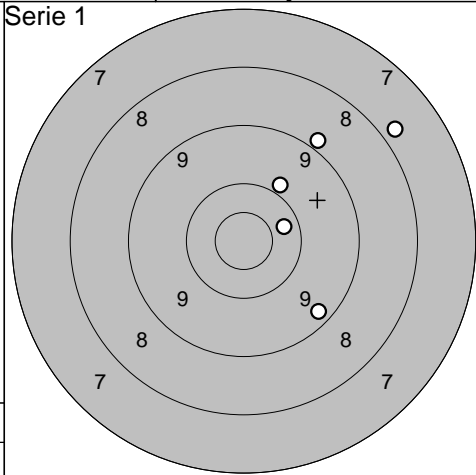
Förbundsmästerskap 2009

Umeå skytteallians

<p>Provskott</p> 	<table style="width:100%; border-collapse: collapse;"> <tr><td>1: 1,8</td><td style="text-align: right;">→</td></tr> <tr><td>2: 6,6</td><td style="text-align: right;">↘</td></tr> <tr><td>3: 8,7</td><td style="text-align: right;">→</td></tr> <tr><td>4: 10,5*</td><td style="text-align: right;">→</td></tr> <tr><td>5: 9,7</td><td style="text-align: right;">↘</td></tr> <tr><td>6: 9,9</td><td style="text-align: right;">↘</td></tr> <tr><td>7: 9,7</td><td style="text-align: right;">↘</td></tr> <tr><td>8: 8,5</td><td style="text-align: right;">↑</td></tr> <tr><td>9: 9,8</td><td style="text-align: right;">↑</td></tr> <tr><td>10: 8,6</td><td style="text-align: right;">→</td></tr> <tr style="border-top: 1px solid black;"><td>Serie</td><td style="text-align: right;">77,0</td></tr> <tr><td>Totalt</td><td style="text-align: right;">0,0</td></tr> </table>	1: 1,8	→	2: 6,6	↘	3: 8,7	→	4: 10,5*	→	5: 9,7	↘	6: 9,9	↘	7: 9,7	↘	8: 8,5	↑	9: 9,8	↑	10: 8,6	→	Serie	77,0	Totalt	0,0	<p>Serie 1</p>  <table style="width:100%; border-collapse: collapse;"> <tr><td>1: 10,0</td><td style="text-align: right;">↑</td></tr> <tr><td>2: 10,4</td><td style="text-align: right;">↑</td></tr> <tr><td>3: 9,8</td><td style="text-align: right;">←</td></tr> <tr><td>4: 10,1</td><td style="text-align: right;">↗</td></tr> <tr><td>5: 8,9</td><td style="text-align: right;">↖</td></tr> <tr style="border-top: 1px solid black;"><td>Serie</td><td style="text-align: right;">47,0</td></tr> <tr><td>Totalt</td><td style="text-align: right;">47,0</td></tr> </table>	1: 10,0	↑	2: 10,4	↑	3: 9,8	←	4: 10,1	↗	5: 8,9	↖	Serie	47,0	Totalt	47,0
1: 1,8	→																																							
2: 6,6	↘																																							
3: 8,7	→																																							
4: 10,5*	→																																							
5: 9,7	↘																																							
6: 9,9	↘																																							
7: 9,7	↘																																							
8: 8,5	↑																																							
9: 9,8	↑																																							
10: 8,6	→																																							
Serie	77,0																																							
Totalt	0,0																																							
1: 10,0	↑																																							
2: 10,4	↑																																							
3: 9,8	←																																							
4: 10,1	↗																																							
5: 8,9	↖																																							
Serie	47,0																																							
Totalt	47,0																																							
<p>Serie 2</p>  <table style="width:100%; border-collapse: collapse;"> <tr><td>1: 9,8</td><td style="text-align: right;">↓</td></tr> <tr><td>2: 9,0</td><td style="text-align: right;">←</td></tr> <tr><td>3: 10,4</td><td style="text-align: right;">←</td></tr> <tr><td>4: 9,9</td><td style="text-align: right;">↘</td></tr> <tr><td>5: 9,9</td><td style="text-align: right;">↑</td></tr> <tr style="border-top: 1px solid black;"><td>Serie</td><td style="text-align: right;">46,0</td></tr> <tr><td>Totalt</td><td style="text-align: right;">93,0</td></tr> </table>	1: 9,8	↓	2: 9,0	←	3: 10,4	←	4: 9,9	↘	5: 9,9	↑	Serie	46,0	Totalt	93,0	<p>Serie 3</p>  <table style="width:100%; border-collapse: collapse;"> <tr><td>1: 9,6</td><td style="text-align: right;">→</td></tr> <tr><td>2: 9,2</td><td style="text-align: right;">→</td></tr> <tr><td>3: 9,0</td><td style="text-align: right;">←</td></tr> <tr><td>4: 8,6</td><td style="text-align: right;">↗</td></tr> <tr><td>5: 7,8</td><td style="text-align: right;">↖</td></tr> <tr style="border-top: 1px solid black;"><td>Serie</td><td style="text-align: right;">42,0</td></tr> <tr><td>Totalt</td><td style="text-align: right;">135,0</td></tr> </table>	1: 9,6	→	2: 9,2	→	3: 9,0	←	4: 8,6	↗	5: 7,8	↖	Serie	42,0	Totalt	135,0											
1: 9,8	↓																																							
2: 9,0	←																																							
3: 10,4	←																																							
4: 9,9	↘																																							
5: 9,9	↑																																							
Serie	46,0																																							
Totalt	93,0																																							
1: 9,6	→																																							
2: 9,2	→																																							
3: 9,0	←																																							
4: 8,6	↗																																							
5: 7,8	↖																																							
Serie	42,0																																							
Totalt	135,0																																							
<p>Serie 4</p>  <table style="width:100%; border-collapse: collapse;"> <tr><td>1: 4,5</td><td style="text-align: right;">↘</td></tr> <tr><td>2: 3,7</td><td style="text-align: right;">↗</td></tr> <tr><td>3: 8,6</td><td style="text-align: right;">→</td></tr> <tr><td>4: 8,7</td><td style="text-align: right;">↑</td></tr> <tr><td>5: 6,8</td><td style="text-align: right;">←</td></tr> <tr style="border-top: 1px solid black;"><td>Serie</td><td style="text-align: right;">29,0</td></tr> <tr><td>Totalt</td><td style="text-align: right;">164,0</td></tr> </table>	1: 4,5	↘	2: 3,7	↗	3: 8,6	→	4: 8,7	↑	5: 6,8	←	Serie	29,0	Totalt	164,0	<p>Provskott</p>  <table style="width:100%; border-collapse: collapse;"> <tr><td>1: 10,6*</td><td style="text-align: right;">↑</td></tr> <tr><td>2: 9,8</td><td style="text-align: right;">↖</td></tr> <tr><td>3: 9,2</td><td style="text-align: right;">↑</td></tr> <tr style="border-top: 1px solid black;"><td>Serie</td><td style="text-align: right;">28,0</td></tr> <tr><td>Totalt</td><td style="text-align: right;">164,0</td></tr> </table>	1: 10,6*	↑	2: 9,8	↖	3: 9,2	↑	Serie	28,0	Totalt	164,0															
1: 4,5	↘																																							
2: 3,7	↗																																							
3: 8,6	→																																							
4: 8,7	↑																																							
5: 6,8	←																																							
Serie	29,0																																							
Totalt	164,0																																							
1: 10,6*	↑																																							
2: 9,8	↖																																							
3: 9,2	↑																																							
Serie	28,0																																							
Totalt	164,0																																							
<p>Serie 5</p>  <table style="width:100%; border-collapse: collapse;"> <tr><td>1: 9,9</td><td style="text-align: right;">↗</td></tr> <tr><td>2: 9,2</td><td style="text-align: right;">↗</td></tr> <tr><td>3: 8,2</td><td style="text-align: right;">↖</td></tr> <tr><td>4: 8,5</td><td style="text-align: right;">↑</td></tr> <tr><td>5: 10,1</td><td style="text-align: right;">→</td></tr> <tr style="border-top: 1px solid black;"><td>Serie</td><td style="text-align: right;">44,0</td></tr> <tr><td>Totalt</td><td style="text-align: right;">208,0</td></tr> </table>	1: 9,9	↗	2: 9,2	↗	3: 8,2	↖	4: 8,5	↑	5: 10,1	→	Serie	44,0	Totalt	208,0	<p>Serie 6</p>  <table style="width:100%; border-collapse: collapse;"> <tr><td>1: 10,8*</td><td style="text-align: right;">↗</td></tr> <tr><td>2: 9,9</td><td style="text-align: right;">↘</td></tr> <tr><td>3: 8,0</td><td style="text-align: right;">↖</td></tr> <tr><td>4: 8,9</td><td style="text-align: right;">↑</td></tr> <tr><td>5: 10,5*</td><td style="text-align: right;">↖</td></tr> <tr style="border-top: 1px solid black;"><td>Serie</td><td style="text-align: right;">45,0</td></tr> <tr><td>Totalt</td><td style="text-align: right;">253,0</td></tr> </table>	1: 10,8*	↗	2: 9,9	↘	3: 8,0	↖	4: 8,9	↑	5: 10,5*	↖	Serie	45,0	Totalt	253,0											
1: 9,9	↗																																							
2: 9,2	↗																																							
3: 8,2	↖																																							
4: 8,5	↑																																							
5: 10,1	→																																							
Serie	44,0																																							
Totalt	208,0																																							
1: 10,8*	↗																																							
2: 9,9	↘																																							
3: 8,0	↖																																							
4: 8,9	↑																																							
5: 10,5*	↖																																							
Serie	45,0																																							
Totalt	253,0																																							
<p>Serie 7</p>  <table style="width:100%; border-collapse: collapse;"> <tr><td>1: 9,7</td><td style="text-align: right;">↓</td></tr> <tr><td>2: 8,2</td><td style="text-align: right;">↓</td></tr> <tr><td>3: 6,5</td><td style="text-align: right;">→</td></tr> <tr><td>4: 0,0</td><td style="text-align: right;">↓</td></tr> <tr><td>5: 9,1</td><td style="text-align: right;">↓</td></tr> <tr style="border-top: 1px solid black;"><td>Serie</td><td style="text-align: right;">32,0</td></tr> <tr><td>Totalt</td><td style="text-align: right;">285,0</td></tr> </table>	1: 9,7	↓	2: 8,2	↓	3: 6,5	→	4: 0,0	↓	5: 9,1	↓	Serie	32,0	Totalt	285,0																										
1: 9,7	↓																																							
2: 8,2	↓																																							
3: 6,5	→																																							
4: 0,0	↓																																							
5: 9,1	↓																																							
Serie	32,0																																							
Totalt	285,0																																							



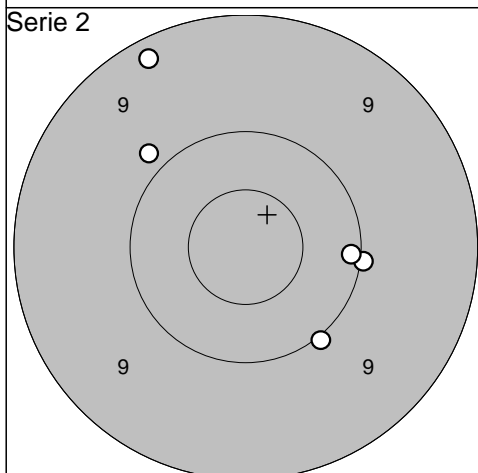
1: 10,3	↘
2: 10,0	↗
3: 10,2	→
4: 10,6*	→
5: 10,7*	↑



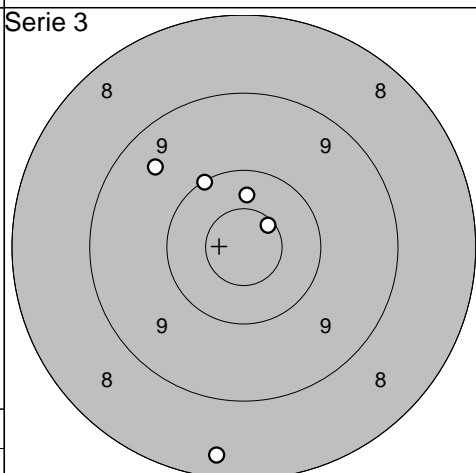
1: 9,3	↘
2: 7,8	↗
3: 8,9	↗
4: 10,3	→
5: 9,9	↗

Serie	50,0
Totalt	0,0

Serie	43,0
Totalt	43,0



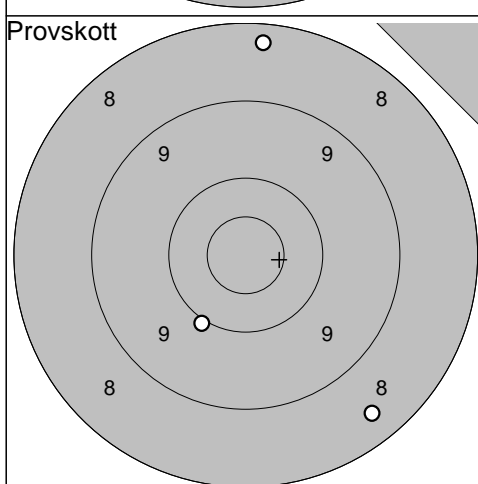
1: 10,0	→
2: 9,2	↗
3: 10,0	↘
4: 9,9	↗
5: 10,1	→



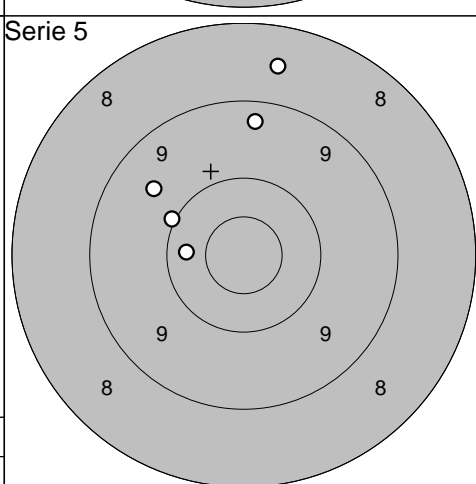
1: 10,6*	↗
2: 8,3	↘
3: 9,5	↗
4: 10,4	↑
5: 10,1	↗

Serie	48,0
Totalt	91,0

Serie	47,0
Totalt	138,0



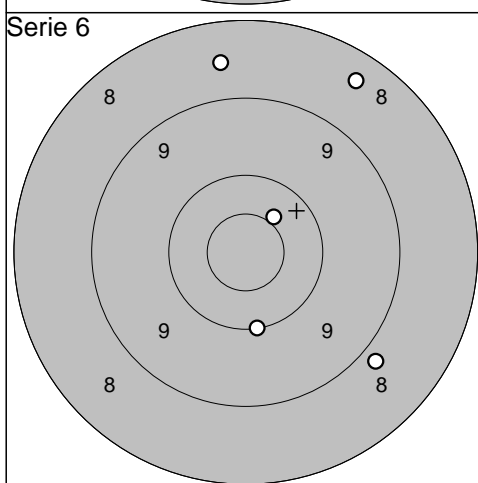
1: 8,4	↘
2: 10,0	↘
3: 8,3	↑



1: 8,6	↑
2: 10,0	↖
3: 10,3	←
4: 9,6	↖
5: 9,3	↑

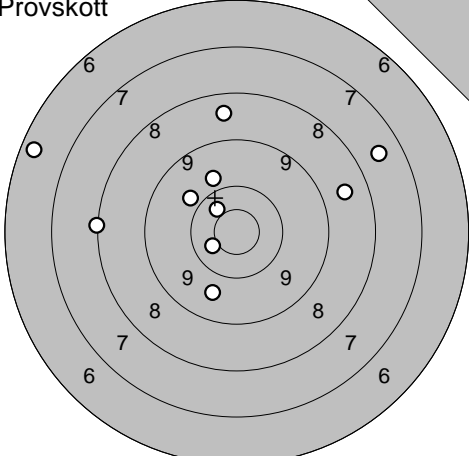
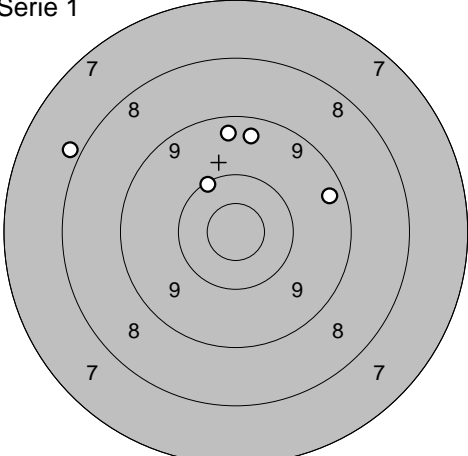
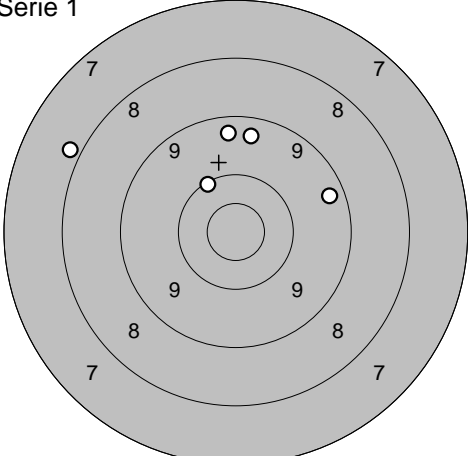
Serie	26,0
Totalt	138,0

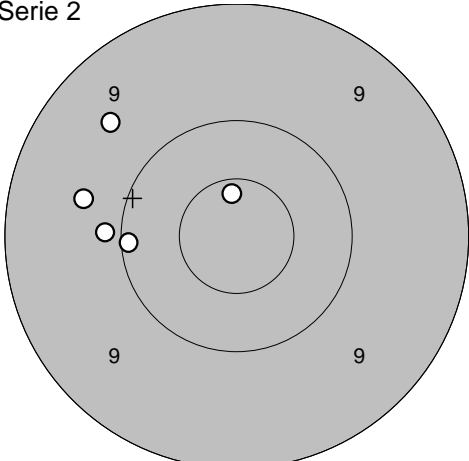
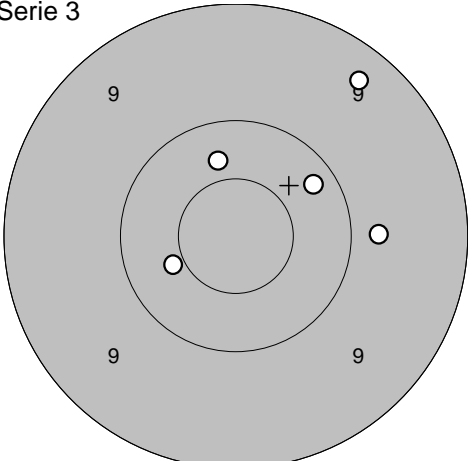
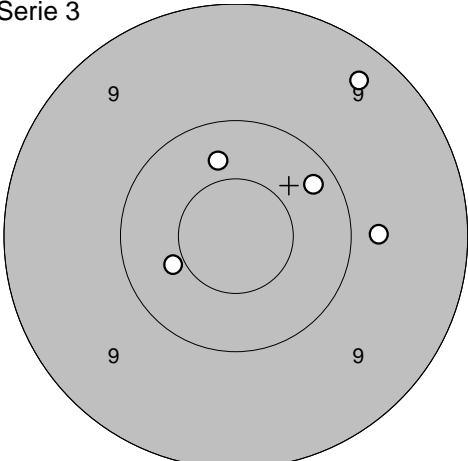
Serie	46,0
Totalt	184,0

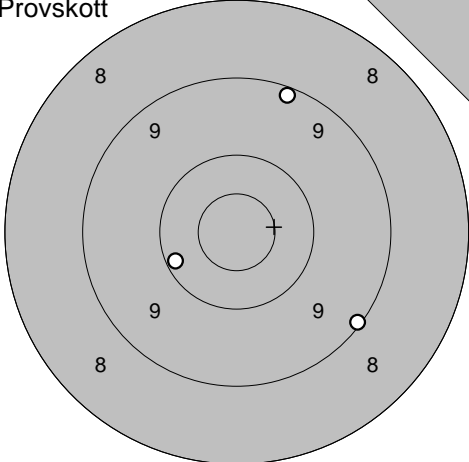
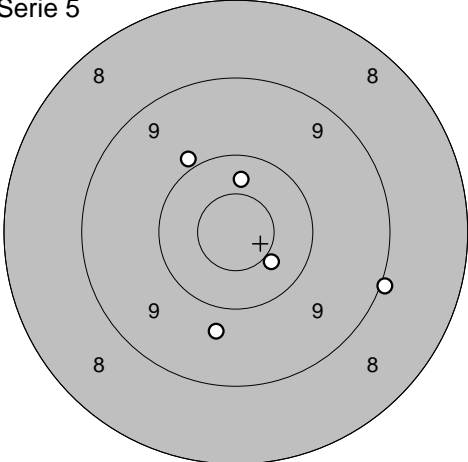
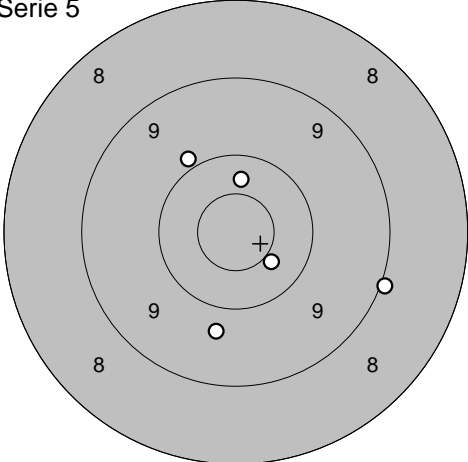


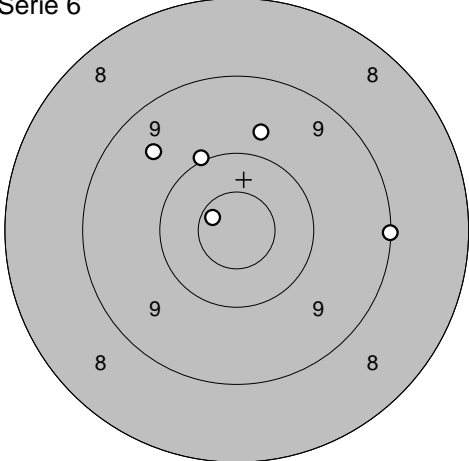


1: 8,6	↑
2: 10,5*	↗
3: 10,1	↘
4: 8,9	↘
5: 8,4	↗

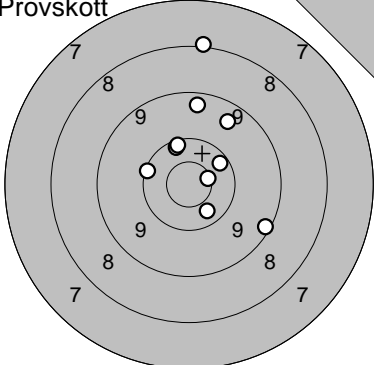
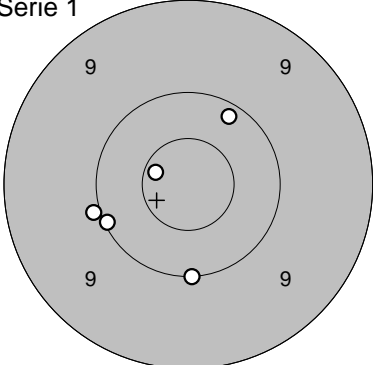
Serie	44,0
Totalt	228,0

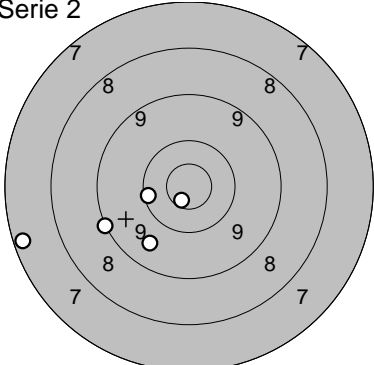
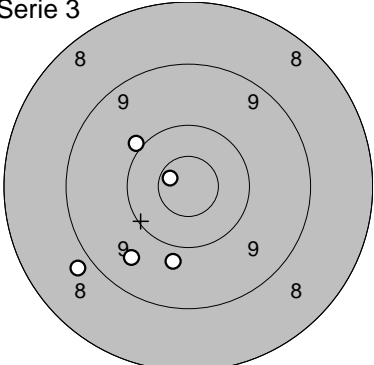
<p>Provskott</p> 	<p>Serie 1</p> 	<p>Serie 1</p> 
<p>1: 9,6 →</p> <p>2: 8,6 →</p> <p>3: 9,6 ↑</p> <p>4: 10,4 ↖</p> <p>5: 7,4 ←</p> <p>6: 9,7 ↓</p> <p>7: 10,5* ←</p> <p>8: 9,9 ↖</p> <p>9: 8,1 ←</p> <p>10: 10,5* ↖</p>	<p>1: 9,3 →</p> <p>2: 10,1 ↖</p> <p>3: 9,4 ↑</p> <p>4: 7,9 ↖</p> <p>5: 9,4 ↑</p>	<p>1: 9,3 →</p> <p>2: 10,1 ↖</p> <p>3: 9,4 ↑</p> <p>4: 7,9 ↖</p> <p>5: 9,4 ↑</p>
Serie 89,0	Serie 44,0	Serie 44,0
Totalt 0,0	Totalt 44,0	Totalt 44,0

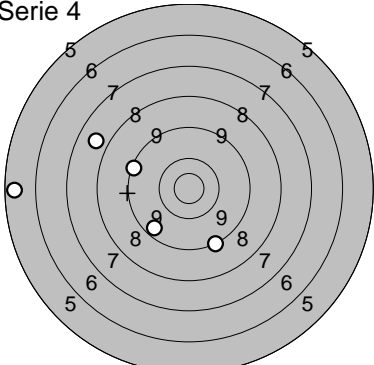
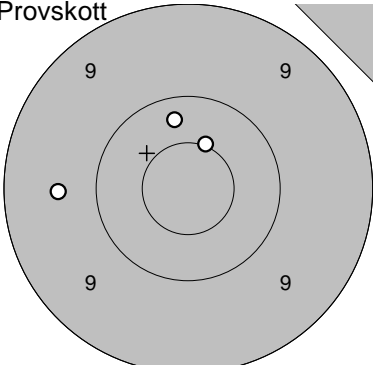
<p>Serie 2</p> 	<p>Serie 3</p> 	<p>Serie 3</p> 
<p>1: 10,1 ←</p> <p>2: 10,7* ↑</p> <p>3: 9,7 ←</p> <p>4: 9,9 ←</p> <p>5: 9,6 ↖</p>	<p>1: 10,2 ↗</p> <p>2: 10,4 ↖</p> <p>3: 9,3 ↗</p> <p>4: 10,4 ↑</p> <p>5: 9,8 →</p>	<p>1: 10,2 ↗</p> <p>2: 10,4 ↖</p> <p>3: 9,3 ↗</p> <p>4: 10,4 ↑</p> <p>5: 9,8 →</p>
Serie 47,0	Serie 48,0	Serie 48,0
Totalt 91,0	Totalt 139,0	Totalt 139,0

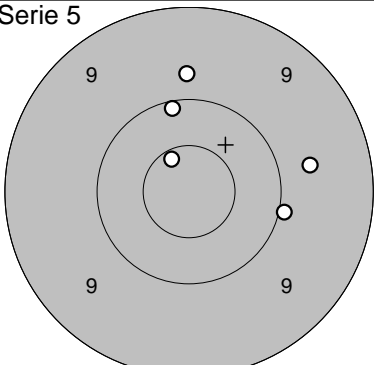
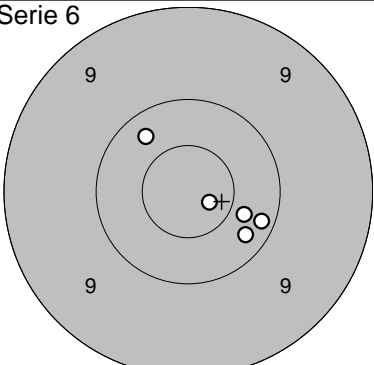
<p>Provskott</p> 	<p>Serie 5</p> 	<p>Serie 5</p> 
<p>1: 10,2 ←</p> <p>2: 9,1 ↘</p> <p>3: 9,2 ↑</p>	<p>1: 9,9 ↖</p> <p>2: 10,4 ↑</p> <p>3: 10,4 ↘</p> <p>4: 9,7 ↓</p> <p>5: 9,0 ↘</p>	<p>1: 9,9 ↖</p> <p>2: 10,4 ↑</p> <p>3: 10,4 ↘</p> <p>4: 9,7 ↓</p> <p>5: 9,0 ↘</p>
Serie 28,0	Serie 47,0	Serie 47,0
Totalt 139,0	Totalt 186,0	Totalt 186,0

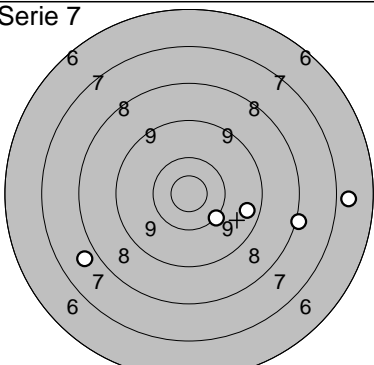
<p>Serie 6</p> 	<p>Serie 6</p> 	<p>Serie 6</p> 
<p>1: 10,0 ↖</p> <p>2: 10,7* ↖</p> <p>3: 9,6 ↖</p> <p>4: 9,7 ↑</p> <p>5: 9,1 →</p>	<p>1: 10,0 ↖</p> <p>2: 10,7* ↖</p> <p>3: 9,6 ↖</p> <p>4: 9,7 ↑</p> <p>5: 9,1 →</p>	<p>1: 10,0 ↖</p> <p>2: 10,7* ↖</p> <p>3: 9,6 ↖</p> <p>4: 9,7 ↑</p> <p>5: 9,1 →</p>
Serie 47,0	Serie 47,0	Serie 47,0
Totalt 233,0	Totalt 233,0	Totalt 233,0

Provskott 	1: 10,2 ↑ 2: 10,6* → 3: 9,1 ↑ 4: 10,8* → 5: 10,7* ↓ 6: 10,3 ↑ 7: 10,2 ↑ 8: 9,5 ↑ 9: 10,2 ↑ 10: 9,2 ↓	Serie 1 	1: 10,7* ← 2: 10,1 ← 3: 10,2 ↗ 4: 10,0 ↓ 5: 10,0 ←
Serie 97,0		Serie 50,0	
Totalt 0,0		Totalt 50,0	

Serie 2 	1: 7,3 ← 2: 9,1 ← 3: 10,2 ← 4: 9,6 ↓ 5: 10,8* ↓	Serie 3 	1: 10,8* ↖ 2: 10,0 ↗ 3: 9,6 ↓ 4: 8,8 ↓ 5: 9,8 ↓
Serie 45,0		Serie 46,0	
Totalt 95,0		Totalt 141,0	

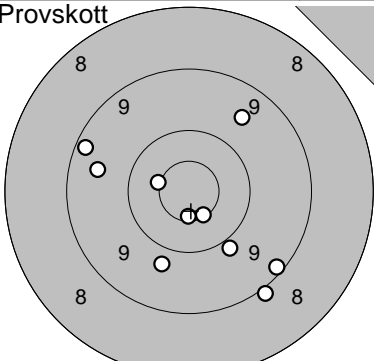
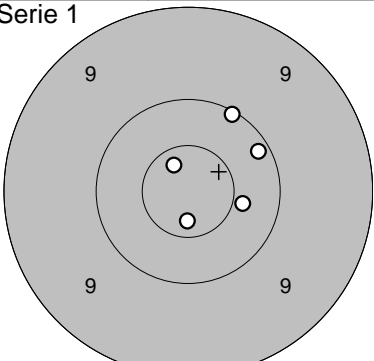
Serie 4 	1: 5,5 ← 2: 9,2 ↓ 3: 9,5 ↓ 4: 9,3 ↗ 5: 7,8 ↗	Provskott 	1: 10,5* ↑ 2: 10,3 ↑ 3: 9,6 ←
Serie 39,0		Serie 29,0	
Totalt 180,0		Totalt 180,0	

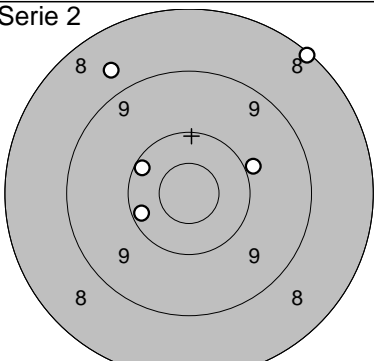
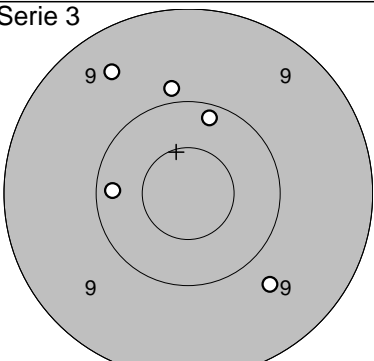
Serie 5 	1: 10,6* ↑ 2: 9,7 → 3: 9,8 ↑ 4: 10,0 ↑ 5: 10,1 ↑	Serie 6 	1: 10,2 → 2: 10,3 ↗ 3: 10,2 ↓ 4: 10,4 → 5: 10,8* ↘
Serie 48,0		Serie 50,0	
Totalt 228,0		Totalt 278,0	

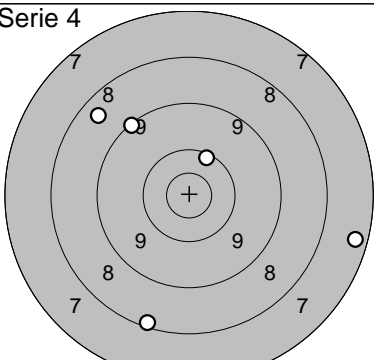
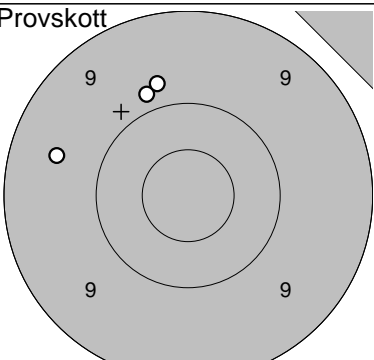
Serie 7 	1: 6,8 → 2: 10,2 ↓ 3: 8,1 → 4: 9,5 → 5: 7,8 ↖		
Serie 40,0			
Totalt 318,0			

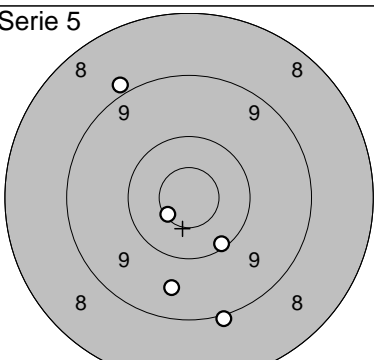
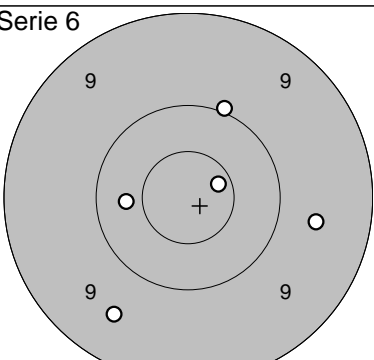
Skellefteå

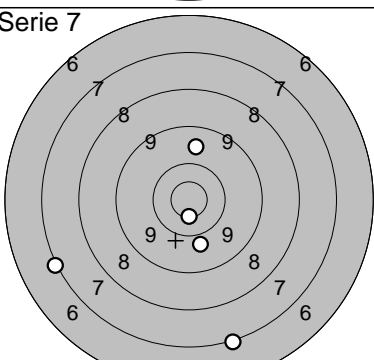
2009-08-15	Förbundsmästerskap 2009	Umeå skytteallians
------------	-------------------------	--------------------

Provskott 	1: 10,0 ↘ 2: 10,1 ↘ 3: 10,4 ↘ 4: 10,2 ↗ 5: 10,1 ↗ 6: 10,6* ↘ 7: 9,6 ↗ 8: 10,6* ↗ 9: 10,7* ↘ 10: 9,9 ↘ <hr/> Serie 98,0 Totalt 0,0	Serie 1 	1: 10,7* ↗ 2: 10,2 ↗ 3: 10,7* ↘ 4: 10,4 → 5: 10,1 ↗ <hr/> Serie 50,0 Totalt 50,0
--	--	--	--

Serie 2 	1: 8,1 ↗ 2: 10,2 ↗ 3: 8,7 ↗ 4: 10,2 ↘ 5: 9,9 → <hr/> Serie 45,0 Totalt 95,0	Serie 3 	1: 9,9 ↗ 2: 9,5 ↗ 3: 9,7 ↘ 4: 10,2 ← 5: 10,2 ↗ <hr/> Serie 47,0 Totalt 142,0
--	---	--	--

Serie 4 	1: 7,4 → 2: 9,1 ↗ 3: 10,2 ↗ 4: 8,2 ↘ 5: 8,5 ↗ <hr/> Serie 42,0 Totalt 184,0	Provskott 	1: 9,8 ↗ 2: 9,5 ← 3: 9,8 ↗ <hr/> Serie 27,0 Totalt 184,0
---	---	---	--

Serie 5 	1: 8,9 ↗ 2: 10,1 ↘ 3: 10,6* ↘ 4: 9,6 ↘ 5: 9,0 ↘ <hr/> Serie 46,0 Totalt 230,0	Serie 6 	1: 10,4 ← 2: 9,5 ↘ 3: 10,7* ↗ 4: 10,0 ↗ 5: 9,6 → <hr/> Serie 48,0 Totalt 278,0
--	---	--	--

Serie 7 	1: 9,7 ↗ 2: 10,7* ↘ 3: 7,1 ← 4: 7,1 ← 5: 9,9 ↘ <hr/> Serie 42,0 Totalt 320,0	
--	--	--

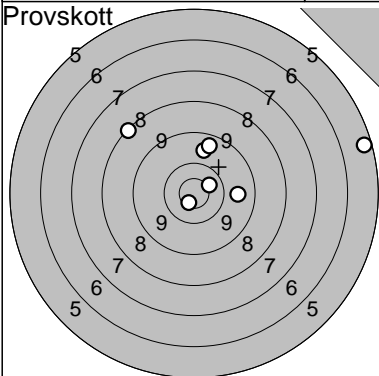
Bastuträsk

2009-08-15

Förbundsmästerskap 2009

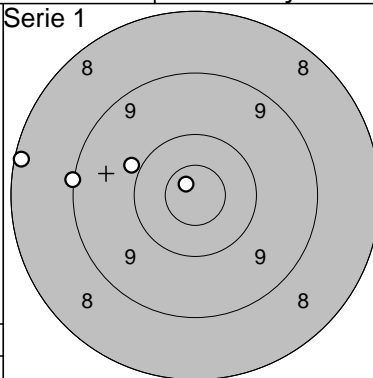
Umeå skytteallians

Provsjott



1: 6,4 →
 2: 10,3 ↑
 3: 10,8* →
 4: 9,2 ↗
 5: 10,2 ↑
 6: 9,8 →
 7: 10,9* ↓

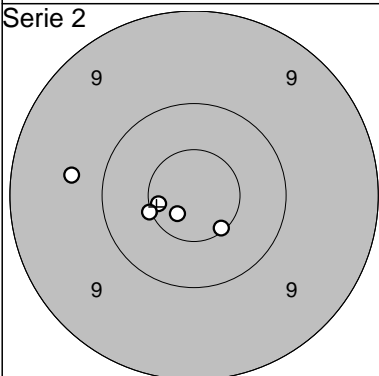
Serie 64,0
 Totalt 0,0



1: 8,2 ←
 2: 9,1 ←
 3: 10,8* ↗
 4: 9,9 ↗

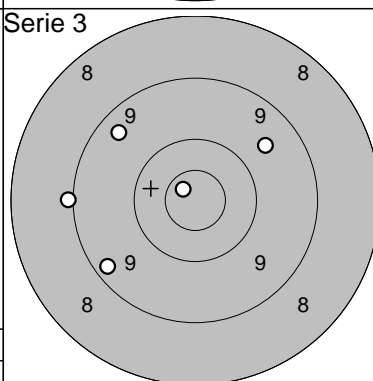
Serie 36,0
 Totalt 36,0

Serie 2



1: 10,8* ↓
 2: 9,7 ←
 3: 10,6* ↓
 4: 10,6* ←
 5: 10,5* ←

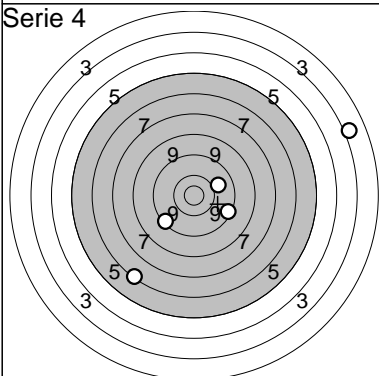
Serie 49,0
 Totalt 85,0



1: 9,4 ↗
 2: 9,0 ←
 3: 9,3 ←
 4: 10,8* ↗
 5: 9,6 ↗

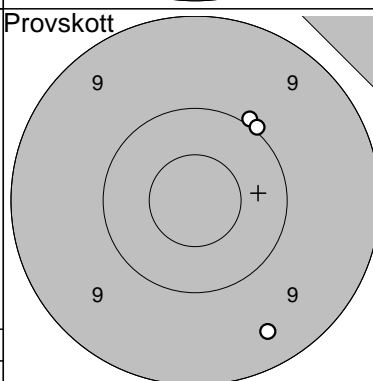
Serie 46,0
 Totalt 131,0

Serie 4



1: 9,4 ↓
 2: 10,0 →
 3: 9,5 ↘
 4: 6,4 ↓
 5: 3,1 →

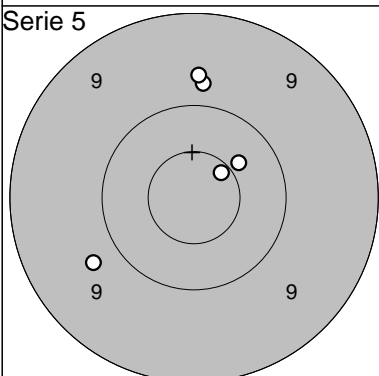
Serie 37,0
 Totalt 168,0



1: 10,0 ↗
 2: 10,0 ↗
 3: 9,4 ↓

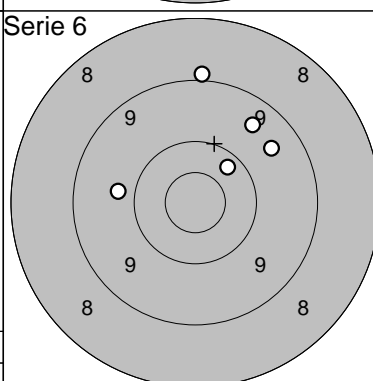
Serie 29,0
 Totalt 168,0

Serie 5



1: 10,6* ↗
 2: 9,7 ←
 3: 9,8 ↑
 4: 10,4 ↗
 5: 9,7 ↑

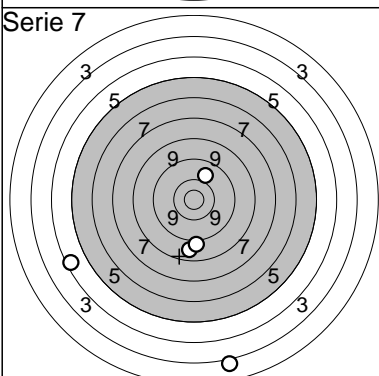
Serie 47,0
 Totalt 215,0



1: 9,0 ↑
 2: 9,8 ←
 3: 10,3 ↗
 4: 9,5 ↗
 5: 9,5 ↗

Serie 46,0
 Totalt 261,0

Serie 7



1: 10,0 ↑
 2: 8,9 ↓
 3: 4,6 ←
 4: 9,1 ↓
 5: 3,1 ↓

Serie 34,0
 Totalt 295,0

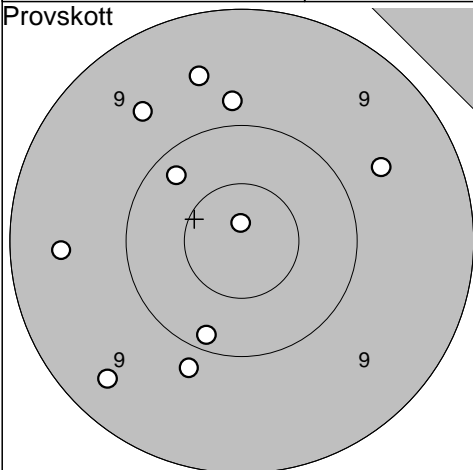
Rönnskär

2009-08-15

Förbundsmästerskap 2009

Umeå skytteallians

Provskott

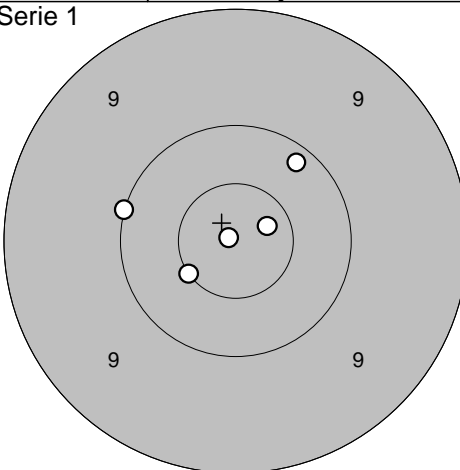


1: 10,3 →
 2: 10,5* ↓
 3: 10,6* ↖
 4: 10,9* ↑
 5: 10,2 ↓
 6: 9,5 ←
 7: 9,8 ↑
 8: 9,6 ↑
 9: 9,6 ↗
 10: 9,8 ↓

Serie 95,0

Totalt 0,0

Serie 1

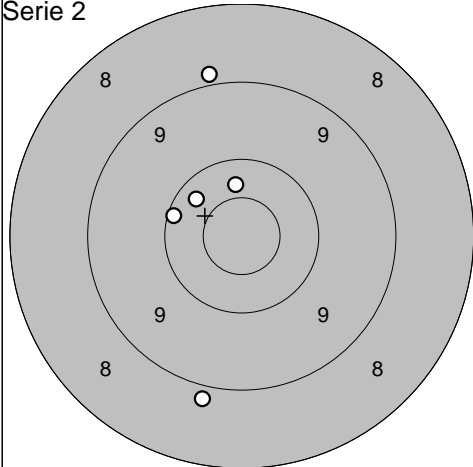


1: 10,5* ←
 2: 10,9* ↖
 3: 10,0 ←
 4: 10,2 ↗
 5: 10,7* →

Serie 50,0

Totalt 50,0

Serie 2

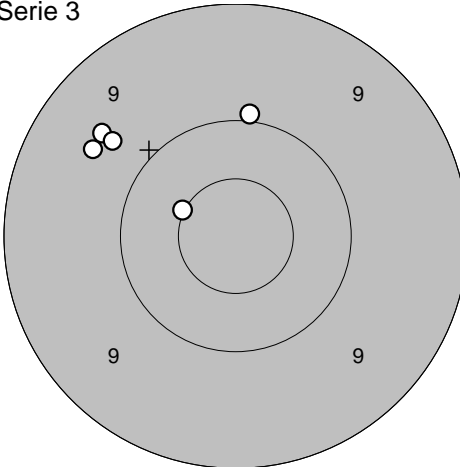


1: 8,9 ↓
 2: 10,4 ↑
 3: 10,1 ←
 4: 8,9 ↑
 5: 10,3 ↗

Serie 46,0

Totalt 96,0

Serie 3

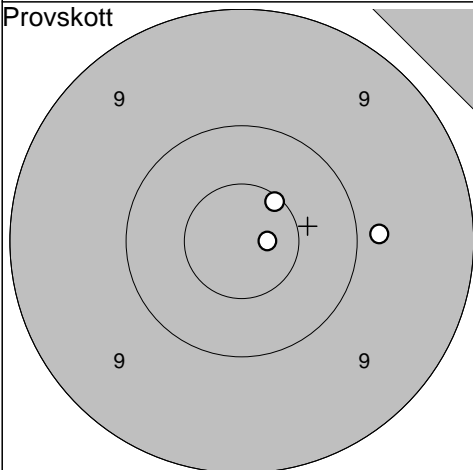


1: 10,0 ↑
 2: 9,6 ↖
 3: 9,6 ↗
 4: 9,7 ↗
 5: 10,5* ↗

Serie 47,0

Totalt 143,0

Provskott

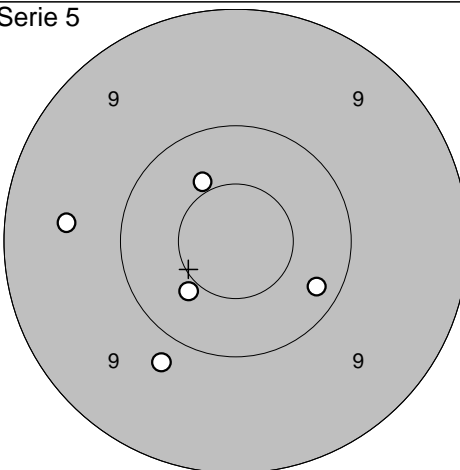


1: 10,8* →
 2: 10,6* ↗
 3: 9,8 →

Serie 29,0

Totalt 143,0

Serie 5

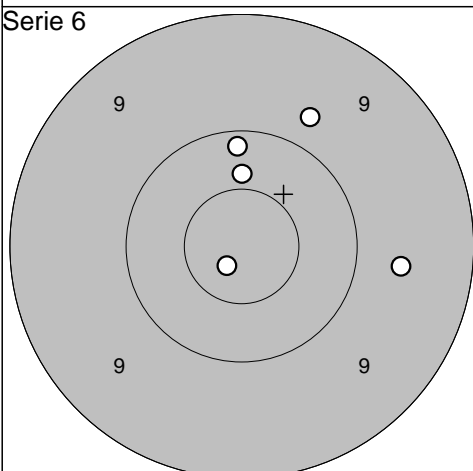


1: 9,6 ←
 2: 9,8 ↓
 3: 10,4 ↗
 4: 10,2 ↘
 5: 10,4 ↓

Serie 48,0

Totalt 191,0

Serie 6



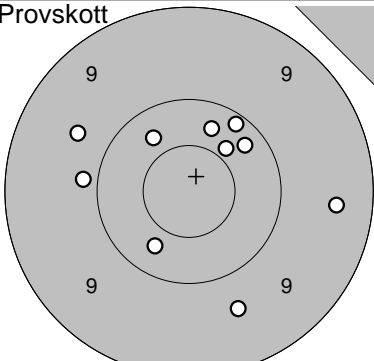
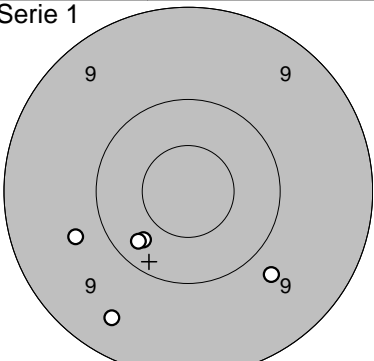
1: 10,8* ↓
 2: 10,2 ↑
 3: 9,8 ↗
 4: 10,4 ↑
 5: 9,6 →

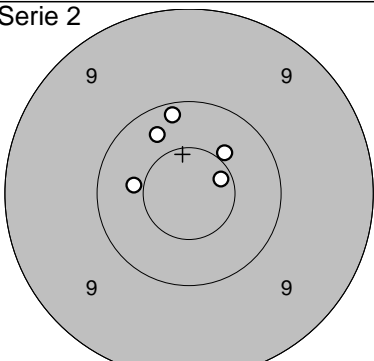
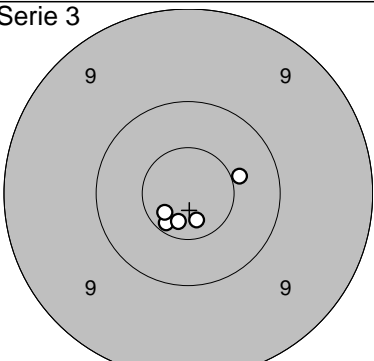
Serie 48,0

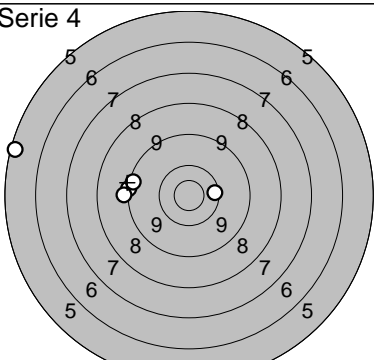
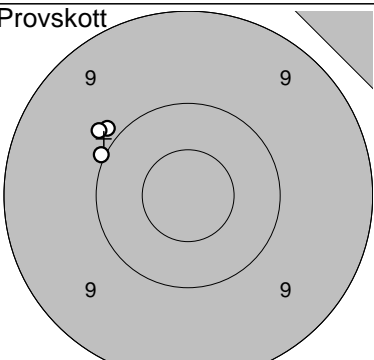
Totalt 239,0

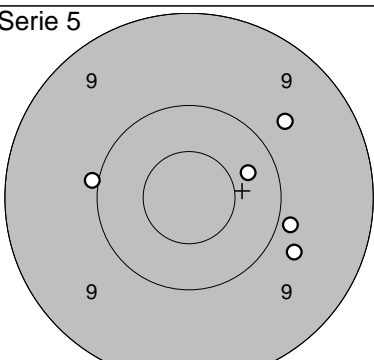
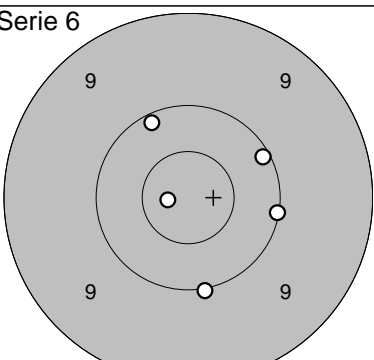
Ramselefors

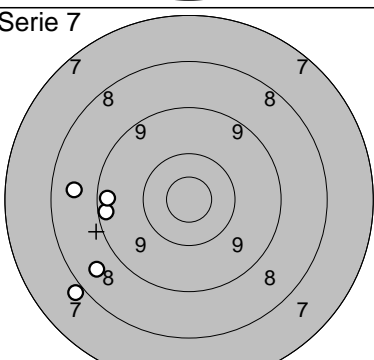
2009-08-15	Förbundsmästerskap 2009	Umeå skytteallians
------------	-------------------------	--------------------

Provskott 	1: 10,2 → 2: 10,6* ↙ 3: 10,6* ↗ 4: 10,6* ↗ 5: 10,6* ↗ 6: 9,7 ↙ 7: 10,1 ↗ 8: 9,9 ← 9: 9,7 ↗ 10: 10,4 ↗ <hr/> Serie 97,0 Totalt 0,0	Serie 1 	1: 10,3 ↙ 2: 9,7 ← 3: 9,4 ↙ 4: 9,8 ↘ 5: 10,3 ↙ <hr/> Serie 47,0 Totalt 47,0
--	--	--	---

Serie 2 	1: 10,4 ← 2: 10,3 ↗ 3: 10,2 ↗ 4: 10,7* ↗ 5: 10,4 ↗ <hr/> Serie 50,0 Totalt 97,0	Serie 3 	1: 10,4 → 2: 10,6* ↙ 3: 10,7* ↙ 4: 10,7* ↙ 5: 10,7* ↙ <hr/> Serie 50,0 Totalt 147,0
--	---	--	---

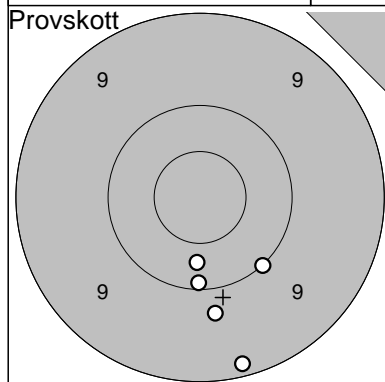
Serie 4 	1: 10,4 → 2: 5,4 ← 3: 9,2 ← 4: 9,3 ← 5: 9,1 ← <hr/> Serie 42,0 Totalt 189,0	Provskott 	1: 9,9 ↗ 2: 9,8 ↗ 3: 10,0 ↗ <hr/> Serie 28,0 Totalt 189,0
---	---	---	---

Serie 5 	1: 10,3 → 2: 10,0 ← 3: 9,9 → 4: 9,7 ↗ 5: 9,7 ↘ <hr/> Serie 47,0 Totalt 236,0	Serie 6 	1: 10,0 → 2: 10,8* ← 3: 10,1 ↗ 4: 10,1 ↗ 5: 10,0 ↘ <hr/> Serie 50,0 Totalt 286,0
--	--	--	--

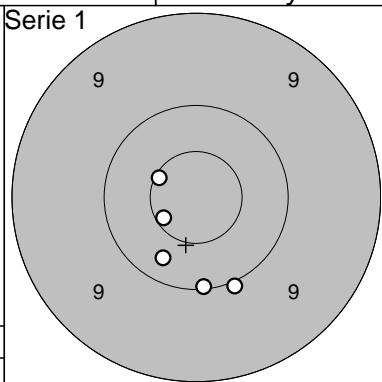
Serie 7 	1: 8,6 ← 2: 7,9 ↙ 3: 9,3 ← 4: 8,6 ↙ 5: 9,4 ← <hr/> Serie 41,0 Totalt 327,0	
--	--	--

Ramselefors

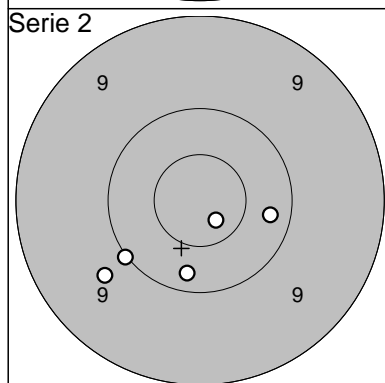
2009-08-15	Förbundsmästerskap 2009	Umeå skytteallians
------------	-------------------------	--------------------



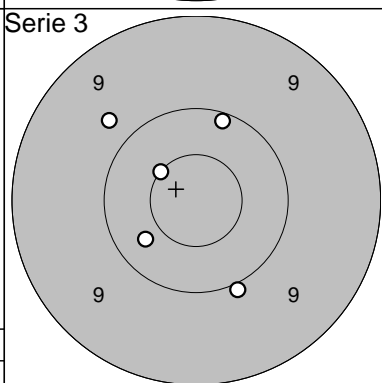
1: 10,5*	↓
2: 10,3	↓
3: 10,6*	↓
4: 10,5*	↓
5: 10,1	↓
Serie	50,0
Totalt	0,0



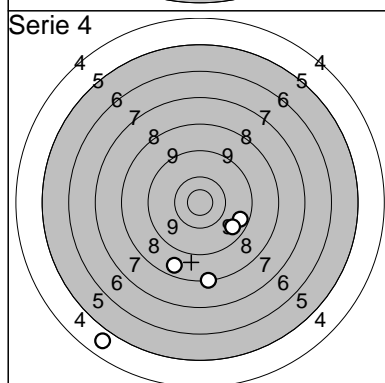
1: 10,6*	↖
2: 10,3	↓
3: 10,6*	↙
4: 10,1	↓
5: 10,0	↓
Serie	50,0
Totalt	50,0



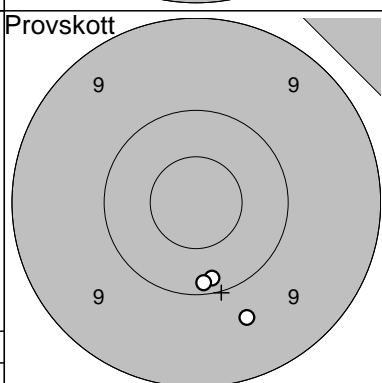
1: 10,7*	↓
2: 9,7	↙
3: 10,0	↙
4: 10,2	↓
5: 10,2	→
Serie	49,0
Totalt	99,0



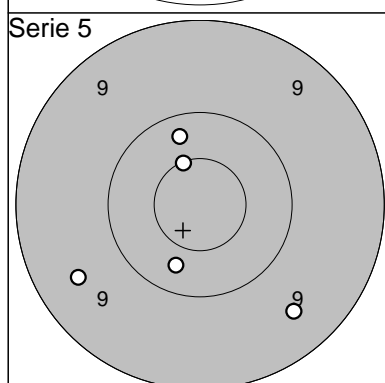
1: 9,8	↖
2: 10,1	↑
3: 10,0	↓
4: 10,3	↙
5: 10,5*	↖
Serie	49,0
Totalt	148,0



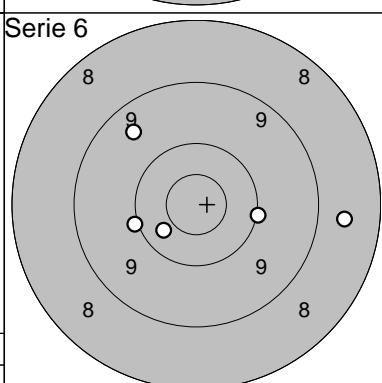
1: 9,6	→
2: 4,8	↓
3: 8,3	↓
4: 8,6	↓
5: 9,7	↓
Serie	38,0
Totalt	186,0



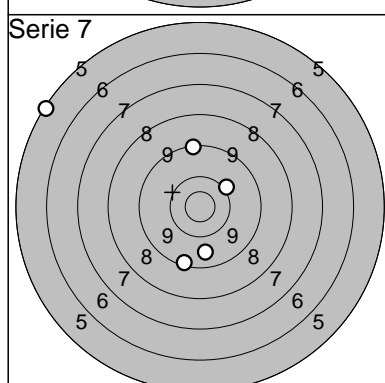
1: 10,2	↓
2: 10,2	↓
3: 9,7	↓
Serie	29,0
Totalt	186,0



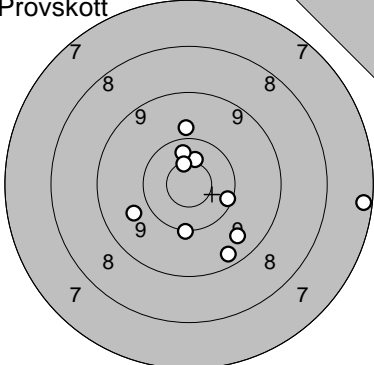
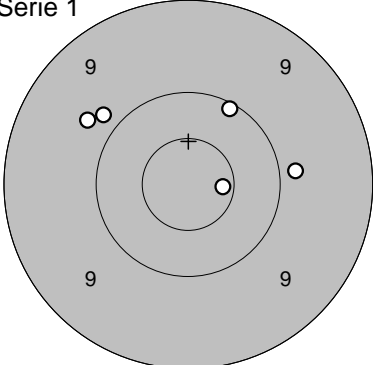
1: 10,6*	↑
2: 9,5	↙
3: 10,3	↓
4: 9,5	↓
5: 10,3	↗
Serie	48,0
Totalt	234,0

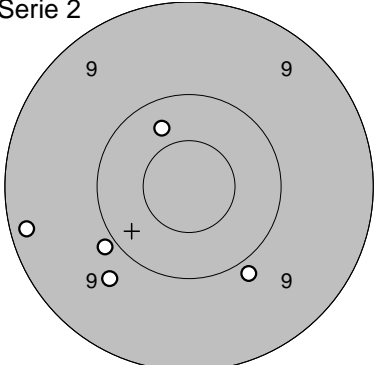
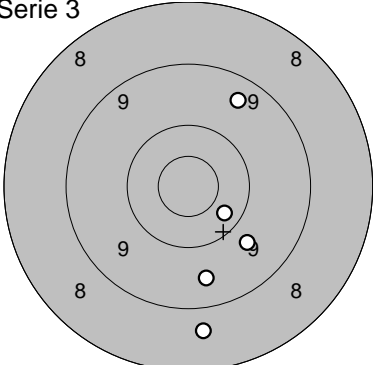


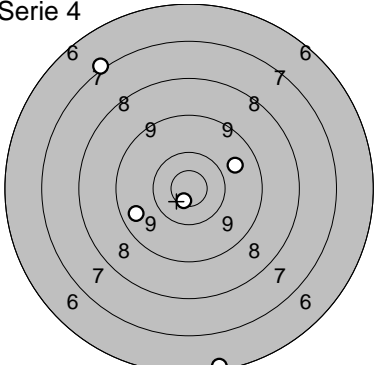
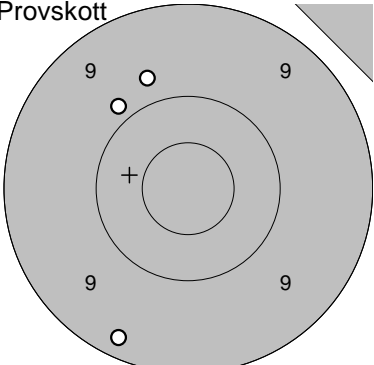
1: 10,4	↙
2: 9,5	↖
3: 10,0	↙
4: 10,0	→
5: 8,6	→
Serie	47,0
Totalt	281,0

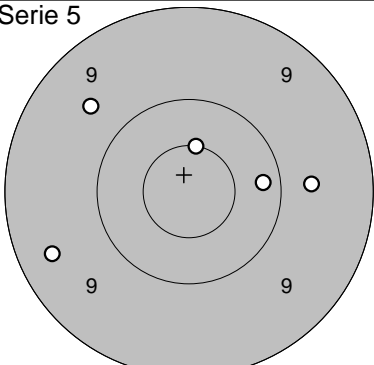
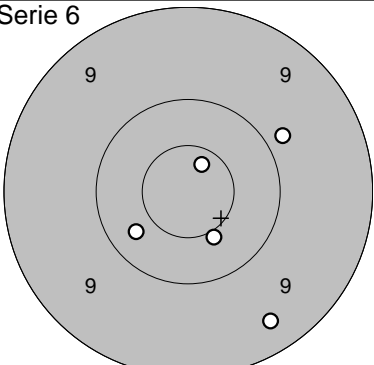


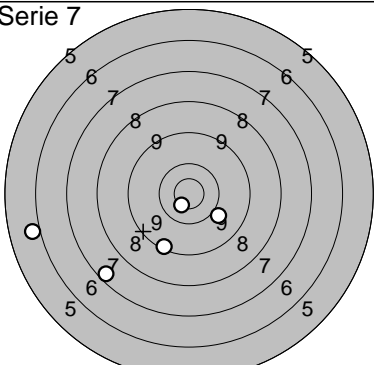
1: 9,7	↓
2: 10,1	↗
3: 9,3	↓
4: 5,3	↖
5: 9,3	↑
Serie	42,0
Totalt	323,0

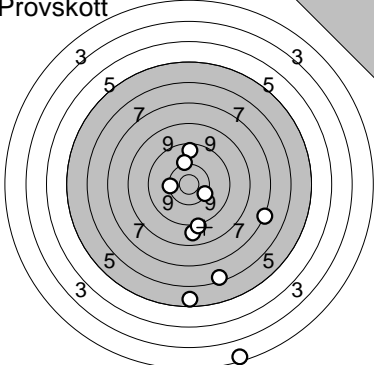
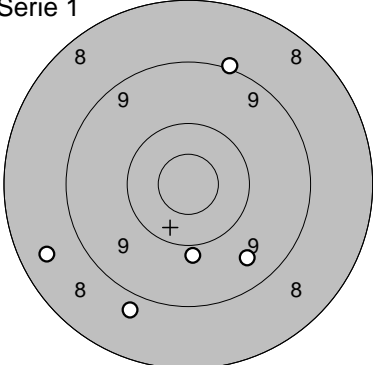
Provsnitt 	1: 8,3 → 2: 10,4 ↑ 3: 10,6* → 4: 10,7* ↑ 5: 10,7* ↑ 6: 9,4 ↓ 7: 10,1 ↓ 8: 9,8 ← 9: 9,6 ↓ 10: 10,7* ↑ <hr/> Serie 95,0 Totalt 0,0	Serie 1 	1: 9,9 ↗ 2: 9,7 ↗ 3: 10,1 ↗ 4: 10,7* → 5: 9,9 → <hr/> Serie 47,0 Totalt 47,0
---	---	---	--

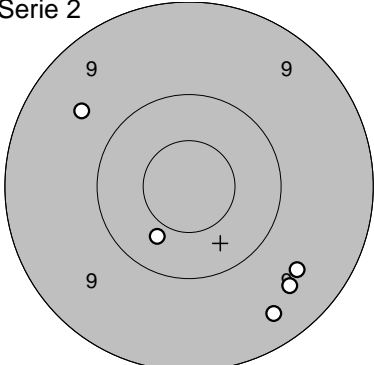
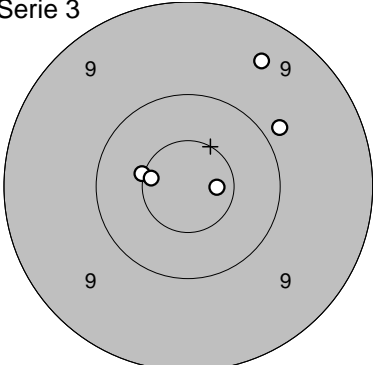
Serie 2 	1: 9,9 ↓ 2: 9,2 ← 3: 9,9 ← 4: 10,3 → 5: 9,7 ↓ <hr/> Serie 46,0 Totalt 93,0	Serie 3 	1: 8,7 ↓ 2: 9,6 ↓ 3: 10,3 ↘ 4: 9,5 ↗ 5: 9,7 ↓ <hr/> Serie 45,0 Totalt 138,0
---	--	---	---

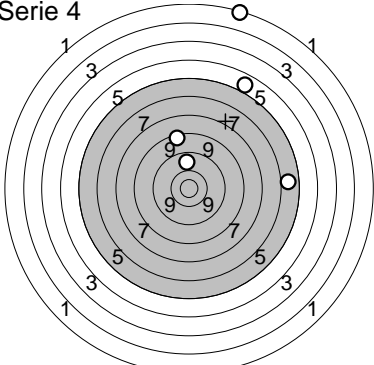
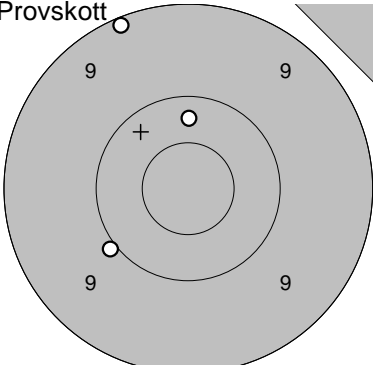
Serie 4 	1: 10,8* ↓ 2: 9,6 ← 3: 9,7 → 4: 7,1 → 5: 6,3 ↓ <hr/> Serie 41,0 Totalt 179,0	Provsnitt 	1: 9,8 ↗ 2: 9,2 ↓ 3: 9,9 ↗ <hr/> Serie 27,0 Totalt 179,0
--	--	--	--

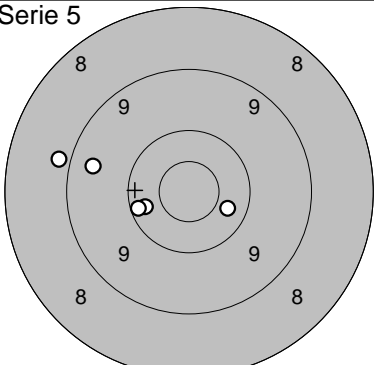
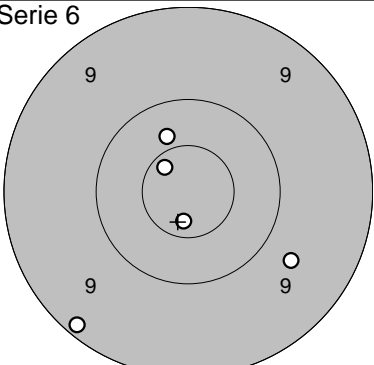
Serie 5 	1: 9,4 ← 2: 9,6 ↗ 3: 10,5* ↑ 4: 9,7 → 5: 10,2 → <hr/> Serie 47,0 Totalt 226,0	Serie 6 	1: 10,3 ← 2: 10,7* ↗ 3: 9,8 ↗ 4: 9,4 ↓ 5: 10,5* ↓ <hr/> Serie 48,0 Totalt 274,0
---	---	---	---

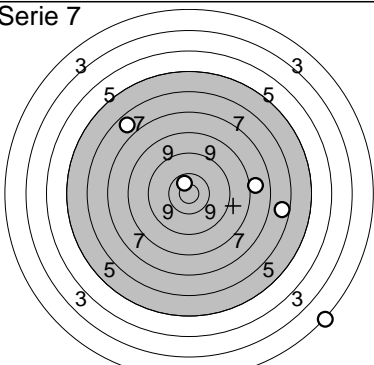
Serie 7 	1: 10,0 ↓ 2: 10,7* ↓ 3: 7,4 ↓ 4: 9,3 ↓ 5: 6,0 ← <hr/> Serie 42,0 Totalt 316,0	
---	---	--

Provskott 	<table style="width:100%; border-collapse: collapse;"> <tr><td style="text-align: right;">1: 3,5</td><td style="text-align: left;">↓</td></tr> <tr><td style="text-align: right;">2: 6,7</td><td style="text-align: left;">↓ ↓</td></tr> <tr><td style="text-align: right;">3: 7,5</td><td style="text-align: left;">↓ ↓ ↓</td></tr> <tr><td style="text-align: right;">4: 8,3</td><td style="text-align: left;">↓ ↓ ↓ ↓</td></tr> <tr><td style="text-align: right;">5: 9,9</td><td style="text-align: left;">↓ ↓ ↓ ↓ ↓</td></tr> <tr><td style="text-align: right;">6: 9,2</td><td style="text-align: left;">↓ ↓ ↓ ↓ ↓ ↓</td></tr> <tr><td style="text-align: right;">7: 9,7</td><td style="text-align: left;">↓ ↓ ↓ ↓ ↓ ↓ ↑</td></tr> <tr><td style="text-align: right;">8: 10,2</td><td style="text-align: left;">↓ ↓ ↓ ↓ ↓ ↓ ↑ ↑</td></tr> <tr><td style="text-align: right;">9: 10,4</td><td style="text-align: left;">↓ ↓ ↓ ↓ ↓ ↓ ↑ ↑ ↓</td></tr> <tr><td style="text-align: right;">10: 10,4</td><td style="text-align: left;">←</td></tr> <tr style="border-top: 1px solid black;"><td style="text-align: right;">Serie</td><td style="text-align: right;">81,0</td></tr> <tr><td style="text-align: right;">Totalt</td><td style="text-align: right;">0,0</td></tr> </table>	1: 3,5	↓	2: 6,7	↓ ↓	3: 7,5	↓ ↓ ↓	4: 8,3	↓ ↓ ↓ ↓	5: 9,9	↓ ↓ ↓ ↓ ↓	6: 9,2	↓ ↓ ↓ ↓ ↓ ↓	7: 9,7	↓ ↓ ↓ ↓ ↓ ↓ ↑	8: 10,2	↓ ↓ ↓ ↓ ↓ ↓ ↑ ↑	9: 10,4	↓ ↓ ↓ ↓ ↓ ↓ ↑ ↑ ↓	10: 10,4	←	Serie	81,0	Totalt	0,0	Serie 1 	<table style="width:100%; border-collapse: collapse;"> <tr><td style="text-align: right;">1: 9,0</td><td style="text-align: left;">↑</td></tr> <tr><td style="text-align: right;">2: 8,8</td><td style="text-align: left;">↓ ↓</td></tr> <tr><td style="text-align: right;">3: 9,9</td><td style="text-align: left;">↓ ↓ ↓</td></tr> <tr><td style="text-align: right;">4: 9,5</td><td style="text-align: left;">↓ ↓ ↓ ↓</td></tr> <tr><td style="text-align: right;">5: 8,5</td><td style="text-align: left;">←</td></tr> <tr style="border-top: 1px solid black;"><td style="text-align: right;">Serie</td><td style="text-align: right;">43,0</td></tr> <tr><td style="text-align: right;">Totalt</td><td style="text-align: right;">43,0</td></tr> </table>	1: 9,0	↑	2: 8,8	↓ ↓	3: 9,9	↓ ↓ ↓	4: 9,5	↓ ↓ ↓ ↓	5: 8,5	←	Serie	43,0	Totalt	43,0
1: 3,5	↓																																								
2: 6,7	↓ ↓																																								
3: 7,5	↓ ↓ ↓																																								
4: 8,3	↓ ↓ ↓ ↓																																								
5: 9,9	↓ ↓ ↓ ↓ ↓																																								
6: 9,2	↓ ↓ ↓ ↓ ↓ ↓																																								
7: 9,7	↓ ↓ ↓ ↓ ↓ ↓ ↑																																								
8: 10,2	↓ ↓ ↓ ↓ ↓ ↓ ↑ ↑																																								
9: 10,4	↓ ↓ ↓ ↓ ↓ ↓ ↑ ↑ ↓																																								
10: 10,4	←																																								
Serie	81,0																																								
Totalt	0,0																																								
1: 9,0	↑																																								
2: 8,8	↓ ↓																																								
3: 9,9	↓ ↓ ↓																																								
4: 9,5	↓ ↓ ↓ ↓																																								
5: 8,5	←																																								
Serie	43,0																																								
Totalt	43,0																																								

Serie 2 	<table style="width:100%; border-collapse: collapse;"> <tr><td style="text-align: right;">1: 9,5</td><td style="text-align: left;">↓ ↓</td></tr> <tr><td style="text-align: right;">2: 9,4</td><td style="text-align: left;">↓ ↓ ↓</td></tr> <tr><td style="text-align: right;">3: 9,6</td><td style="text-align: left;">↑ ↑ ↓ ↓</td></tr> <tr><td style="text-align: right;">4: 10,4</td><td style="text-align: left;">↓ ↓ ↓ ↓ ↓</td></tr> <tr><td style="text-align: right;">5: 9,5</td><td style="text-align: left;">↓ ↓</td></tr> <tr style="border-top: 1px solid black;"><td style="text-align: right;">Serie</td><td style="text-align: right;">46,0</td></tr> <tr><td style="text-align: right;">Totalt</td><td style="text-align: right;">89,0</td></tr> </table>	1: 9,5	↓ ↓	2: 9,4	↓ ↓ ↓	3: 9,6	↑ ↑ ↓ ↓	4: 10,4	↓ ↓ ↓ ↓ ↓	5: 9,5	↓ ↓	Serie	46,0	Totalt	89,0	Serie 3 	<table style="width:100%; border-collapse: collapse;"> <tr><td style="text-align: right;">1: 9,5</td><td style="text-align: left;">↑</td></tr> <tr><td style="text-align: right;">2: 10,7*</td><td style="text-align: left;">→</td></tr> <tr><td style="text-align: right;">3: 10,5*</td><td style="text-align: left;">←</td></tr> <tr><td style="text-align: right;">4: 9,9</td><td style="text-align: left;">→</td></tr> <tr><td style="text-align: right;">5: 10,6*</td><td style="text-align: left;">←</td></tr> <tr style="border-top: 1px solid black;"><td style="text-align: right;">Serie</td><td style="text-align: right;">48,0</td></tr> <tr><td style="text-align: right;">Totalt</td><td style="text-align: right;">137,0</td></tr> </table>	1: 9,5	↑	2: 10,7*	→	3: 10,5*	←	4: 9,9	→	5: 10,6*	←	Serie	48,0	Totalt	137,0
1: 9,5	↓ ↓																														
2: 9,4	↓ ↓ ↓																														
3: 9,6	↑ ↑ ↓ ↓																														
4: 10,4	↓ ↓ ↓ ↓ ↓																														
5: 9,5	↓ ↓																														
Serie	46,0																														
Totalt	89,0																														
1: 9,5	↑																														
2: 10,7*	→																														
3: 10,5*	←																														
4: 9,9	→																														
5: 10,6*	←																														
Serie	48,0																														
Totalt	137,0																														

Serie 4 	<table style="width:100%; border-collapse: collapse;"> <tr><td style="text-align: right;">1: 10,0</td><td style="text-align: left;">↑</td></tr> <tr><td style="text-align: right;">2: 6,0</td><td style="text-align: left;">→</td></tr> <tr><td style="text-align: right;">3: 8,6</td><td style="text-align: left;">↑ ↑</td></tr> <tr><td style="text-align: right;">4: 1,4</td><td style="text-align: left;">↑ ↑</td></tr> <tr><td style="text-align: right;">5: 5,0</td><td style="text-align: left;">↑</td></tr> <tr style="border-top: 1px solid black;"><td style="text-align: right;">Serie</td><td style="text-align: right;">30,0</td></tr> <tr><td style="text-align: right;">Totalt</td><td style="text-align: right;">167,0</td></tr> </table>	1: 10,0	↑	2: 6,0	→	3: 8,6	↑ ↑	4: 1,4	↑ ↑	5: 5,0	↑	Serie	30,0	Totalt	167,0	Provskott 	<table style="width:100%; border-collapse: collapse;"> <tr><td style="text-align: right;">1: 10,3</td><td style="text-align: left;">↑</td></tr> <tr><td style="text-align: right;">2: 9,1</td><td style="text-align: left;">↑</td></tr> <tr><td style="text-align: right;">3: 10,0</td><td style="text-align: left;">↙</td></tr> <tr style="border-top: 1px solid black;"><td style="text-align: right;">Serie</td><td style="text-align: right;">29,0</td></tr> <tr><td style="text-align: right;">Totalt</td><td style="text-align: right;">167,0</td></tr> </table>	1: 10,3	↑	2: 9,1	↑	3: 10,0	↙	Serie	29,0	Totalt	167,0
1: 10,0	↑																										
2: 6,0	→																										
3: 8,6	↑ ↑																										
4: 1,4	↑ ↑																										
5: 5,0	↑																										
Serie	30,0																										
Totalt	167,0																										
1: 10,3	↑																										
2: 9,1	↑																										
3: 10,0	↙																										
Serie	29,0																										
Totalt	167,0																										

Serie 5 	<table style="width:100%; border-collapse: collapse;"> <tr><td style="text-align: right;">1: 9,5</td><td style="text-align: left;">←</td></tr> <tr><td style="text-align: right;">2: 10,3</td><td style="text-align: left;">←</td></tr> <tr><td style="text-align: right;">3: 10,4</td><td style="text-align: left;">↓ ↓</td></tr> <tr><td style="text-align: right;">4: 10,2</td><td style="text-align: left;">←</td></tr> <tr><td style="text-align: right;">5: 8,9</td><td style="text-align: left;">↑</td></tr> <tr style="border-top: 1px solid black;"><td style="text-align: right;">Serie</td><td style="text-align: right;">47,0</td></tr> <tr><td style="text-align: right;">Totalt</td><td style="text-align: right;">214,0</td></tr> </table>	1: 9,5	←	2: 10,3	←	3: 10,4	↓ ↓	4: 10,2	←	5: 8,9	↑	Serie	47,0	Totalt	214,0	Serie 6 	<table style="width:100%; border-collapse: collapse;"> <tr><td style="text-align: right;">1: 9,7</td><td style="text-align: left;">↘</td></tr> <tr><td style="text-align: right;">2: 10,7*</td><td style="text-align: left;">↓ ↓</td></tr> <tr><td style="text-align: right;">3: 9,1</td><td style="text-align: left;">↙</td></tr> <tr><td style="text-align: right;">4: 10,7*</td><td style="text-align: left;">↑</td></tr> <tr><td style="text-align: right;">5: 10,4</td><td style="text-align: left;">↑</td></tr> <tr style="border-top: 1px solid black;"><td style="text-align: right;">Serie</td><td style="text-align: right;">48,0</td></tr> <tr><td style="text-align: right;">Totalt</td><td style="text-align: right;">262,0</td></tr> </table>	1: 9,7	↘	2: 10,7*	↓ ↓	3: 9,1	↙	4: 10,7*	↑	5: 10,4	↑	Serie	48,0	Totalt	262,0
1: 9,5	←																														
2: 10,3	←																														
3: 10,4	↓ ↓																														
4: 10,2	←																														
5: 8,9	↑																														
Serie	47,0																														
Totalt	214,0																														
1: 9,7	↘																														
2: 10,7*	↓ ↓																														
3: 9,1	↙																														
4: 10,7*	↑																														
5: 10,4	↑																														
Serie	48,0																														
Totalt	262,0																														

Serie 7 	<table style="width:100%; border-collapse: collapse;"> <tr><td style="text-align: right;">1: 10,8*</td><td style="text-align: left;">↑</td></tr> <tr><td style="text-align: right;">2: 6,8</td><td style="text-align: left;">↑ ↑</td></tr> <tr><td style="text-align: right;">3: 8,0</td><td style="text-align: left;">→</td></tr> <tr><td style="text-align: right;">4: 2,3</td><td style="text-align: left;">↓ ↓</td></tr> <tr><td style="text-align: right;">5: 6,7</td><td style="text-align: left;">→</td></tr> <tr style="border-top: 1px solid black;"><td style="text-align: right;">Serie</td><td style="text-align: right;">32,0</td></tr> <tr><td style="text-align: right;">Totalt</td><td style="text-align: right;">294,0</td></tr> </table>	1: 10,8*	↑	2: 6,8	↑ ↑	3: 8,0	→	4: 2,3	↓ ↓	5: 6,7	→	Serie	32,0	Totalt	294,0	
1: 10,8*	↑															
2: 6,8	↑ ↑															
3: 8,0	→															
4: 2,3	↓ ↓															
5: 6,7	→															
Serie	32,0															
Totalt	294,0															

Provsjott	Serie 1																																						
<table style="width:100%; border-collapse: collapse;"> <tr><td>1: 10,3</td><td style="text-align: right;">↙</td></tr> <tr><td>2: 8,7</td><td style="text-align: right;">↘</td></tr> <tr><td>3: 8,7</td><td style="text-align: right;">↘</td></tr> <tr><td>4: 10,2</td><td style="text-align: right;">↘</td></tr> <tr><td>5: 9,6</td><td style="text-align: right;">↘</td></tr> <tr><td>6: 9,2</td><td style="text-align: right;">↘</td></tr> <tr><td>7: 9,9</td><td style="text-align: right;">↘</td></tr> <tr><td>8: 10,1</td><td style="text-align: right;">↘</td></tr> <tr><td>9: 9,6</td><td style="text-align: right;">↘</td></tr> <tr><td>10: 9,8</td><td style="text-align: right;">↙</td></tr> <tr><td colspan="2" style="border-top: 1px solid black;">Serie 91,0</td></tr> <tr><td colspan="2" style="border-top: 1px solid black;">Totalt 0,0</td></tr> </table>	1: 10,3	↙	2: 8,7	↘	3: 8,7	↘	4: 10,2	↘	5: 9,6	↘	6: 9,2	↘	7: 9,9	↘	8: 10,1	↘	9: 9,6	↘	10: 9,8	↙	Serie 91,0		Totalt 0,0		<table style="width:100%; border-collapse: collapse;"> <tr><td>1: 10,1</td><td style="text-align: right;">↑</td></tr> <tr><td>2: 9,9</td><td style="text-align: right;">↗</td></tr> <tr><td>3: 10,2</td><td style="text-align: right;">↘</td></tr> <tr><td>4: 10,1</td><td style="text-align: right;">↗</td></tr> <tr><td>5: 10,1</td><td style="text-align: right;">↘</td></tr> <tr><td colspan="2" style="border-top: 1px solid black;">Serie 49,0</td></tr> <tr><td colspan="2" style="border-top: 1px solid black;">Totalt 49,0</td></tr> </table>	1: 10,1	↑	2: 9,9	↗	3: 10,2	↘	4: 10,1	↗	5: 10,1	↘	Serie 49,0		Totalt 49,0	
1: 10,3	↙																																						
2: 8,7	↘																																						
3: 8,7	↘																																						
4: 10,2	↘																																						
5: 9,6	↘																																						
6: 9,2	↘																																						
7: 9,9	↘																																						
8: 10,1	↘																																						
9: 9,6	↘																																						
10: 9,8	↙																																						
Serie 91,0																																							
Totalt 0,0																																							
1: 10,1	↑																																						
2: 9,9	↗																																						
3: 10,2	↘																																						
4: 10,1	↗																																						
5: 10,1	↘																																						
Serie 49,0																																							
Totalt 49,0																																							

Serie 2	Serie 3																												
<table style="width:100%; border-collapse: collapse;"> <tr><td>1: 10,5*</td><td style="text-align: right;">↗</td></tr> <tr><td>2: 9,6</td><td style="text-align: right;">←</td></tr> <tr><td>3: 10,3</td><td style="text-align: right;">→</td></tr> <tr><td>4: 9,8</td><td style="text-align: right;">↘</td></tr> <tr><td>5: 10,1</td><td style="text-align: right;">↘</td></tr> <tr><td colspan="2" style="border-top: 1px solid black;">Serie 48,0</td></tr> <tr><td colspan="2" style="border-top: 1px solid black;">Totalt 97,0</td></tr> </table>	1: 10,5*	↗	2: 9,6	←	3: 10,3	→	4: 9,8	↘	5: 10,1	↘	Serie 48,0		Totalt 97,0		<table style="width:100%; border-collapse: collapse;"> <tr><td>1: 10,5*</td><td style="text-align: right;">←</td></tr> <tr><td>2: 10,4</td><td style="text-align: right;">↖</td></tr> <tr><td>3: 10,7*</td><td style="text-align: right;">↘</td></tr> <tr><td>4: 9,5</td><td style="text-align: right;">↑</td></tr> <tr><td>5: 10,4</td><td style="text-align: right;">↘</td></tr> <tr><td colspan="2" style="border-top: 1px solid black;">Serie 49,0</td></tr> <tr><td colspan="2" style="border-top: 1px solid black;">Totalt 146,0</td></tr> </table>	1: 10,5*	←	2: 10,4	↖	3: 10,7*	↘	4: 9,5	↑	5: 10,4	↘	Serie 49,0		Totalt 146,0	
1: 10,5*	↗																												
2: 9,6	←																												
3: 10,3	→																												
4: 9,8	↘																												
5: 10,1	↘																												
Serie 48,0																													
Totalt 97,0																													
1: 10,5*	←																												
2: 10,4	↖																												
3: 10,7*	↘																												
4: 9,5	↑																												
5: 10,4	↘																												
Serie 49,0																													
Totalt 146,0																													

Serie 4	Provsjott																								
<table style="width:100%; border-collapse: collapse;"> <tr><td>1: 9,3</td><td style="text-align: right;">↗</td></tr> <tr><td>2: 7,5</td><td style="text-align: right;">→</td></tr> <tr><td>3: 9,1</td><td style="text-align: right;">↗</td></tr> <tr><td>4: 8,1</td><td style="text-align: right;">↘</td></tr> <tr><td>5: 8,2</td><td style="text-align: right;">↘</td></tr> <tr><td colspan="2" style="border-top: 1px solid black;">Serie 41,0</td></tr> <tr><td colspan="2" style="border-top: 1px solid black;">Totalt 187,0</td></tr> </table>	1: 9,3	↗	2: 7,5	→	3: 9,1	↗	4: 8,1	↘	5: 8,2	↘	Serie 41,0		Totalt 187,0		<table style="width:100%; border-collapse: collapse;"> <tr><td>1: 10,1</td><td style="text-align: right;">←</td></tr> <tr><td>2: 10,1</td><td style="text-align: right;">↘</td></tr> <tr><td>3: 9,6</td><td style="text-align: right;">↘</td></tr> <tr><td colspan="2" style="border-top: 1px solid black;">Serie 29,0</td></tr> <tr><td colspan="2" style="border-top: 1px solid black;">Totalt 187,0</td></tr> </table>	1: 10,1	←	2: 10,1	↘	3: 9,6	↘	Serie 29,0		Totalt 187,0	
1: 9,3	↗																								
2: 7,5	→																								
3: 9,1	↗																								
4: 8,1	↘																								
5: 8,2	↘																								
Serie 41,0																									
Totalt 187,0																									
1: 10,1	←																								
2: 10,1	↘																								
3: 9,6	↘																								
Serie 29,0																									
Totalt 187,0																									

Serie 5	Serie 6																												
<table style="width:100%; border-collapse: collapse;"> <tr><td>1: 9,5</td><td style="text-align: right;">↖</td></tr> <tr><td>2: 10,3</td><td style="text-align: right;">↘</td></tr> <tr><td>3: 10,6*</td><td style="text-align: right;">↗</td></tr> <tr><td>4: 10,2</td><td style="text-align: right;">↗</td></tr> <tr><td>5: 10,1</td><td style="text-align: right;">←</td></tr> <tr><td colspan="2" style="border-top: 1px solid black;">Serie 49,0</td></tr> <tr><td colspan="2" style="border-top: 1px solid black;">Totalt 236,0</td></tr> </table>	1: 9,5	↖	2: 10,3	↘	3: 10,6*	↗	4: 10,2	↗	5: 10,1	←	Serie 49,0		Totalt 236,0		<table style="width:100%; border-collapse: collapse;"> <tr><td>1: 9,0</td><td style="text-align: right;">↑</td></tr> <tr><td>2: 9,9</td><td style="text-align: right;">→</td></tr> <tr><td>3: 9,9</td><td style="text-align: right;">↑</td></tr> <tr><td>4: 10,1</td><td style="text-align: right;">↘</td></tr> <tr><td>5: 9,6</td><td style="text-align: right;">↘</td></tr> <tr><td colspan="2" style="border-top: 1px solid black;">Serie 46,0</td></tr> <tr><td colspan="2" style="border-top: 1px solid black;">Totalt 282,0</td></tr> </table>	1: 9,0	↑	2: 9,9	→	3: 9,9	↑	4: 10,1	↘	5: 9,6	↘	Serie 46,0		Totalt 282,0	
1: 9,5	↖																												
2: 10,3	↘																												
3: 10,6*	↗																												
4: 10,2	↗																												
5: 10,1	←																												
Serie 49,0																													
Totalt 236,0																													
1: 9,0	↑																												
2: 9,9	→																												
3: 9,9	↑																												
4: 10,1	↘																												
5: 9,6	↘																												
Serie 46,0																													
Totalt 282,0																													

Serie 7															
<table style="width:100%; border-collapse: collapse;"> <tr><td>1: 9,2</td><td style="text-align: right;">↗</td></tr> <tr><td>2: 9,0</td><td style="text-align: right;">↖</td></tr> <tr><td>3: 10,4</td><td style="text-align: right;">↘</td></tr> <tr><td>4: 7,4</td><td style="text-align: right;">→</td></tr> <tr><td>5: 9,5</td><td style="text-align: right;">↘</td></tr> <tr><td colspan="2" style="border-top: 1px solid black;">Serie 44,0</td></tr> <tr><td colspan="2" style="border-top: 1px solid black;">Totalt 326,0</td></tr> </table>	1: 9,2	↗	2: 9,0	↖	3: 10,4	↘	4: 7,4	→	5: 9,5	↘	Serie 44,0		Totalt 326,0		
1: 9,2	↗														
2: 9,0	↖														
3: 10,4	↘														
4: 7,4	→														
5: 9,5	↘														
Serie 44,0															
Totalt 326,0															